



Groundsmaster[®] 3000-D

2WD/4WD Traction Unit

Model No. 30301—210000001 and Up

Model No. 30302—210000001 and Up

Parts Catalog

Ordering Replacement Parts

To order replacement parts, please supply: the part number, the quantity, and the description of each part desired.

Understanding Reference Numbers

Each identified part in an illustration has a reference number. The reference number for a part also appears in the parts list, along with other information about the part.

This catalog uses two special reference number formats, one to indicate parts in a service assembly and another to indicate the quantity of a given part in an illustration.

Service Assembly Reference Numbers

Parts in service assemblies have reference numbers in the form **a:b**. The **a** represents the reference number of the entire service assembly and the **b** represents a sequential number unique to each part within the service assembly.

For example, a wheel assembly might be identified by reference number **6**, the tire by **6:1**, the valve by **6:2**, and the wheel by **6:3**. When you order the assembly identified by reference number **6**, you receive all parts identified by reference numbers **6:1**, **6:2**, and **6:3**. However, you may also order any part individually.

Reference numbers of this type appear in illustrations and in part lists.

Reference Numbers Indicating Quantity

In an illustration, if a reference number indicates more than one part, the reference number has the form **nX y**. The **n** represents the quantity of the part, the **X** is the multiplication symbol, and the **y** represents the reference number.

For example, in an illustration, the reference number **2X 37** means that two of the parts identified by reference number **37** are indicated.

Contents

Description	Page	Description	Page
Frame, Fuel Tank and Battery Assembly	4	Steering Cylinder Assembly No. 93-5962	33
Muffler and Bumper Assembly	5	Degasser Bottle and Mounting Assembly	34
Center Shroud, Air Cleaner and Roll-Over-Protection System Assembly	6	Hydraulic Plumbing Assembly	35
Air Cleaner Assembly No. 93-5111	7	Manifold Assembly No. 94-9291	37
Hood Assembly	8	Front Axle Center Section Assembly 95-2630	38
Radiator, Oil Cooler and Support Assembly	9	Hydraulic Housing Assembly 95-2630	39
Operator Platform and Seat Base Assembly	10	Hydraulic Housing Assembly-Control 95-2630	41
Steering Tower Assembly	11	Front Axle Gear Housing Assembly 95-2630	42
Steering Control Valve Assembly No. 93-5165	12	Front Axle Cover Assembly 95-2630	43
Traction Pedal and Linkage Assembly	13	Electrical Schematic	44
Front Axle, Brake and Tire Assembly	14	Hydraulic Schematic	45
Lift Arm and Cylinder Assembly	15	Cylinder Block Assembly	46
Hydraulic Cylinder Assembly No. 95-5699	16	Cylinder Head Assembly	47
Brake Pedals and Linkage Assembly	17	Piston and Crankshaft Assembly	48
Control Console and Tool Box Assembly	18	Piston and Crankshaft Assembly (Continued)	49
Control Console Assembly	19	Camshaft and Valves Assembly	50
Seat Assembly	20	Camshaft and Valves Assembly (Continued)	51
Engine and Fan Drive Assembly	21	Camshaft and Valves Assembly (Continued)	52
Drive Shaft and Adapter Assembly	22	Oil System Assembly	53
Drive Shaft and Adapter Assembly	23	Oil Pump Assembly	54
Engine Drive Shaft Assembly No. 100-1353	24	Coolant System Assembly	55
4 WD Drive Shaft Assembly No. 93-5042	25	Coolant Outlet Box Assembly	56
2WD Rear Axle	26	Intake Manifold Assembly	57
Tie Rod Assembly No. 104-0100-03	27	Injection Pump Assembly	58
Steering Cylinder Asm. No. 93-5502 (Model 30301 Only)	28	Fuel Injector and Plumbing Assembly	59
Axle Assembly (Model 30301 Only)	29	Engine Mount Assembly	60
4WD Rear Axle Assembly (Model 30302 Only)	30	Alternator Assembly	61
4WD Rear Axle Assembly No. 95-2592 (Model 30302TC Only)	31	Starter and Glow Plugs Assembly	62
		Fuel Filter Assembly	63

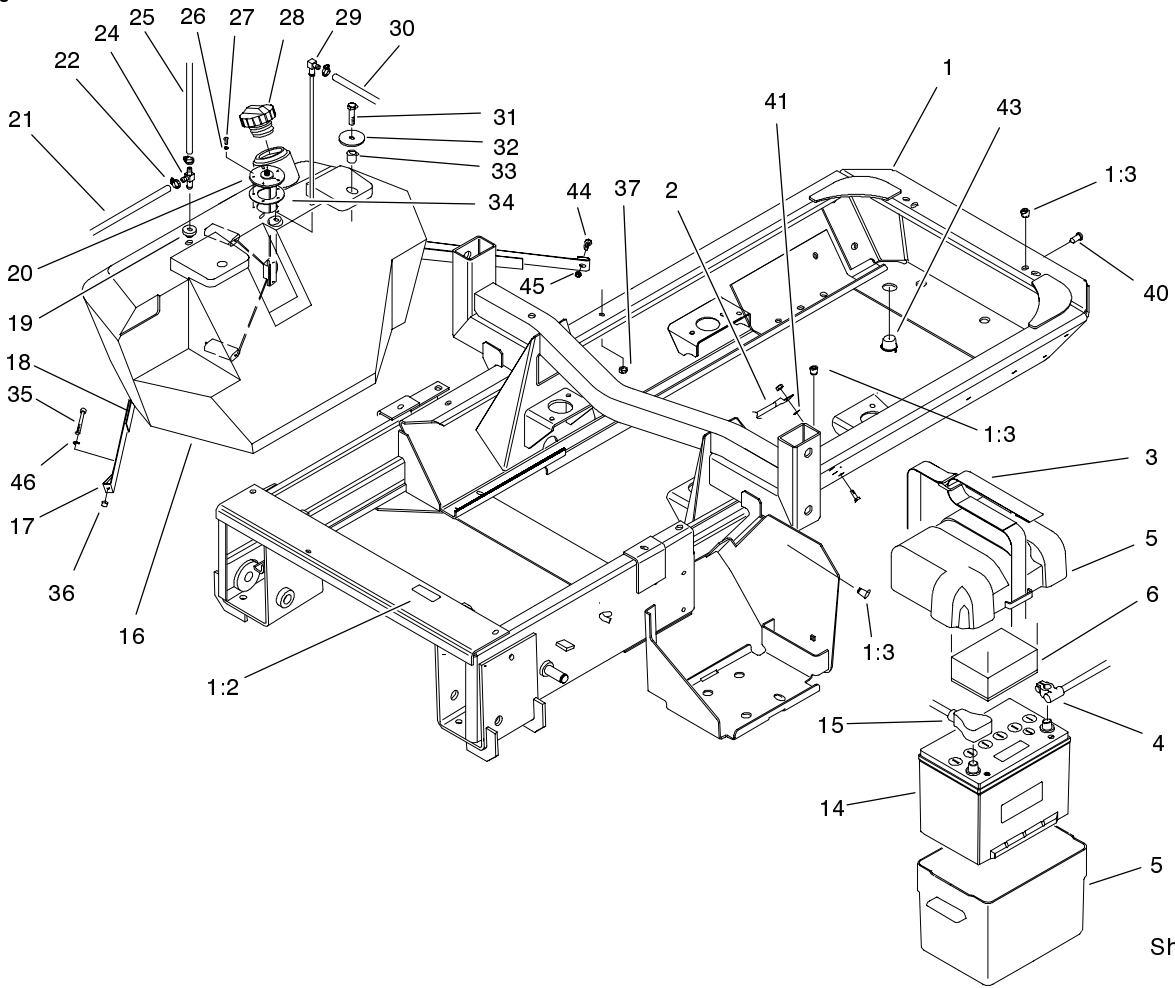
Accessories

Description	Model / Part No.	Description	Model / Part No.
Two Post ROPS Kit	30388	84" Deck Wide Tire Kit	98-7341
Cruise Control Kit	30394	84" Rear Discharge Deck Conversion Kit	93-4555
Standard Seat Suspension Kit	30395	84" Guardian Conversion Kit	93-4999
Deluxe Seat Suspension Kit	30396	72" Deck Wide Tire Kit	98-2371
Road Light Kit	30397	72" Recycler Kit for the RRD	93-4991
Standard Seat Kit	30398	72" Rear Narrow Discharge Kit	93-4878
Armrest Kit	30707	Guardian 84" Recycler Deck	30384
Hydraulic Kit (Contour Deck)	30726	84" Rear Discharge Deck	30385
Frame Weight Kit	93-5996	Guardian 72" Recycler Deck	30372
Wheel Weight Kit	93-5995	72" Rear Discharge Deck	30355
Cast Rear (100lbs.) Bumper Kit	95-7030	Rotary Brush	30386
Implement Wiring Kit	95-3263	Debris Blower	30387
Accessory Wiring Kit	95-1691	Contour 82" Deck	30724
Wide Tire Kit (Contour Deck)	100-1350		

Part Description Abbreviations

Part descriptions in this catalog may include the following abbreviations.

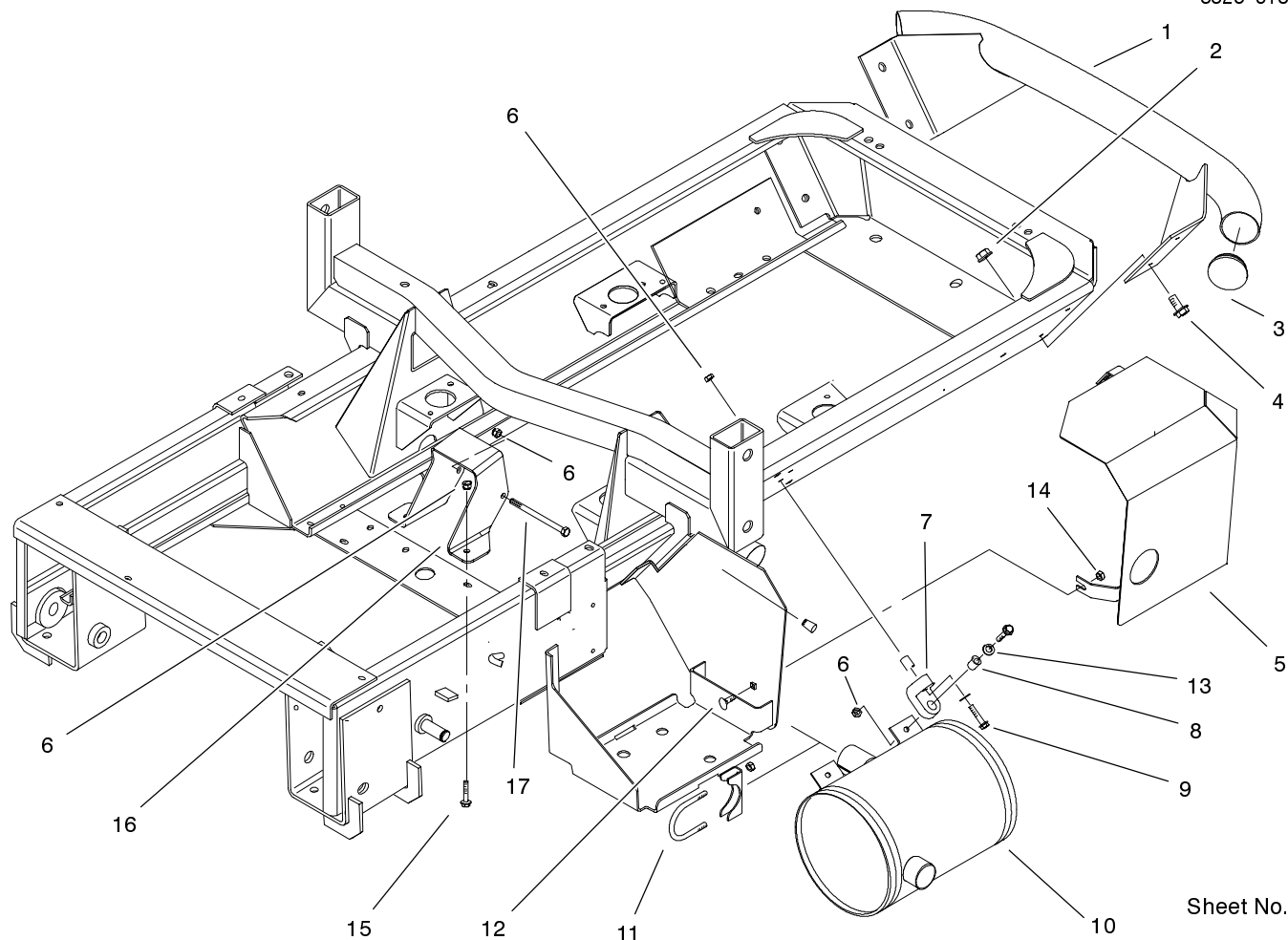
Abbreviation	Meaning	Abbreviation	Meaning
AR	as required	INC	incorporated
ASM	assembly	LH	left hand
CARR	carriage	NI	nylon insert
DEG	degrees	PPH	Phillips pan head
FH	flat head	PTH	Phillips truss head
GA	gauge	PTO	power take off
HF	hex flange	RH	right hand
HH	hex head	SFH	slotted fillister head
HHF	hex head flange	SHH	slotted hex head
HLH	hex lag head	SQH	square head
HJ	hex jam	SHWH	slotted hex washer head
HOC	height-of-cut	SPH	slotted pan head
HS	hex socket	SRH	slotted round head
HSBH	hex socket button head	STD	standard
HSFH	hex socket flat head	TAP	self tapping
HSH	hex socket head	TTH	Torx truss head
HWH	hex washer head	WH	wing head
HWHTF	hex washer head thread forming		



Frame, Fuel Tank and Battery Assembly

Ref. No.	Part No.	Qty.	Description
1	104-0123	1	Frame Assembly
1:2	93-8067	1	Decal-Oil, Hyd
1:3	93-5450	7	Nut-Clinch
2	18-2770	1	Ground Cable
3	94-1445	1	Strap - Battery
4	93-5418	1	Cable-Battery,N
5	93-7595	1	Box - Battery
6	93-7968	1	Pad - Foam
14	93-3220	1	Battery
15	98-7093	1	Cable-Battery, Positive
16	95-5621	1	Tank - Fuel
17	95-3034	1	Strap
18	93-5273	1	Strap-Felt
19	46-6560	2	Bushing
20	92-9267	1	Sender - Fuel
21	93-5483	1	Hose - Fuel
22	2412-108	4	Clamp-Worm
24	93-5119	1	Fitting
25	95-5936	1	Hose - Fuel
26	3253-15	5	Washer-Lock/Sp
27	32122-24	5	Screw-PTH
28	93-3102	1	Cap-Fuel
29	93-5453	1	Pipe - Stand
30	93-5484	1	Hose - Fuel
31	33105-040	2	Screw-HHF

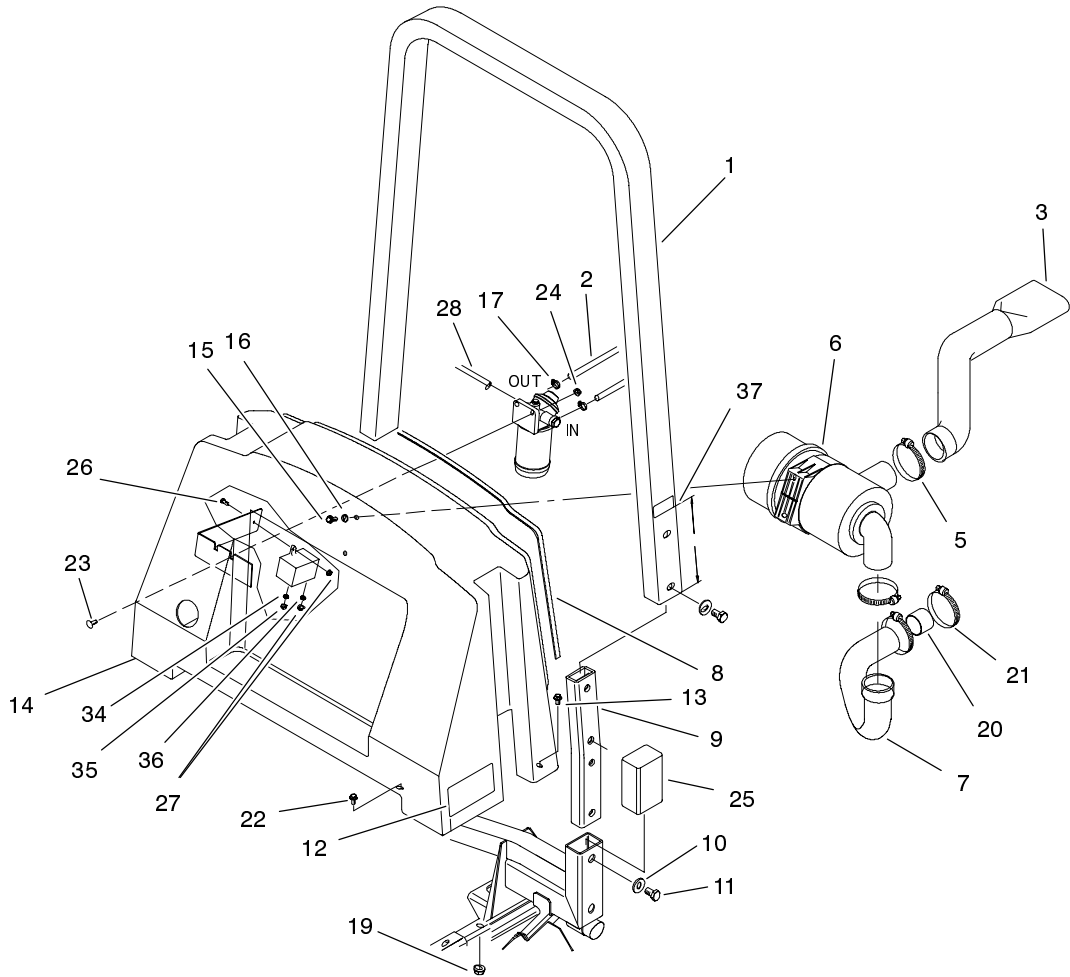
Ref. No.	Part No.	Qty.	Description
32	83-1040	2	Washer - Flat
33	93-5384	2	Spacer
34	62-7650	1	Gasket
35	3274-62	1	Screw-HSH
36	32146-17	1	Nut-Lock
37	33025-00	2	Nut-Lock
40	237-37	3	Grommet
41	3254-6	1	Washer-Lock, Internal
43	95-1587	2	Plug - 1"
44	33103-016	1	Screw-HHF (only on: 30302)
45	33023-00	1	Nut-Lock
46	3253-3	1	Washer-Lock



Sheet No.:3

Muffler and Bumper Assembly

Ref. No.	Part No.	Qty.	Description	Ref. No.	Part No.	Qty.	Description
1	93-5440-03	1	Bumper ASM				
2	33006-00	4	Nut-Hex Flange				
3	2410-42	2	Cap-End				
4	33106-030	4	Screw-HHF				
5	93-5594-03	1	Guard-Muffler				
6	33024-00	5	Nut-Lock				
7	95-5622	2	Hanger - Rubber				
8	93-5023	4	Spacer				
9	33104-035	4	Screw-HHF				
10	93-5946	1	Muffler W/ Spark Arrestor				
11	2112-6	1	Clamp-Muffler				
12	33124-020	3	Screw-CARR				
13	3256-3	4	Washer-Flat				
14	33004-00	3	Nut-HF (only on: 30302)				
15	33104-020	2	Screw-HHF				
16	95-2637-03	1	Guard-Shaft				
17	33114-120	1	Screw-HH				

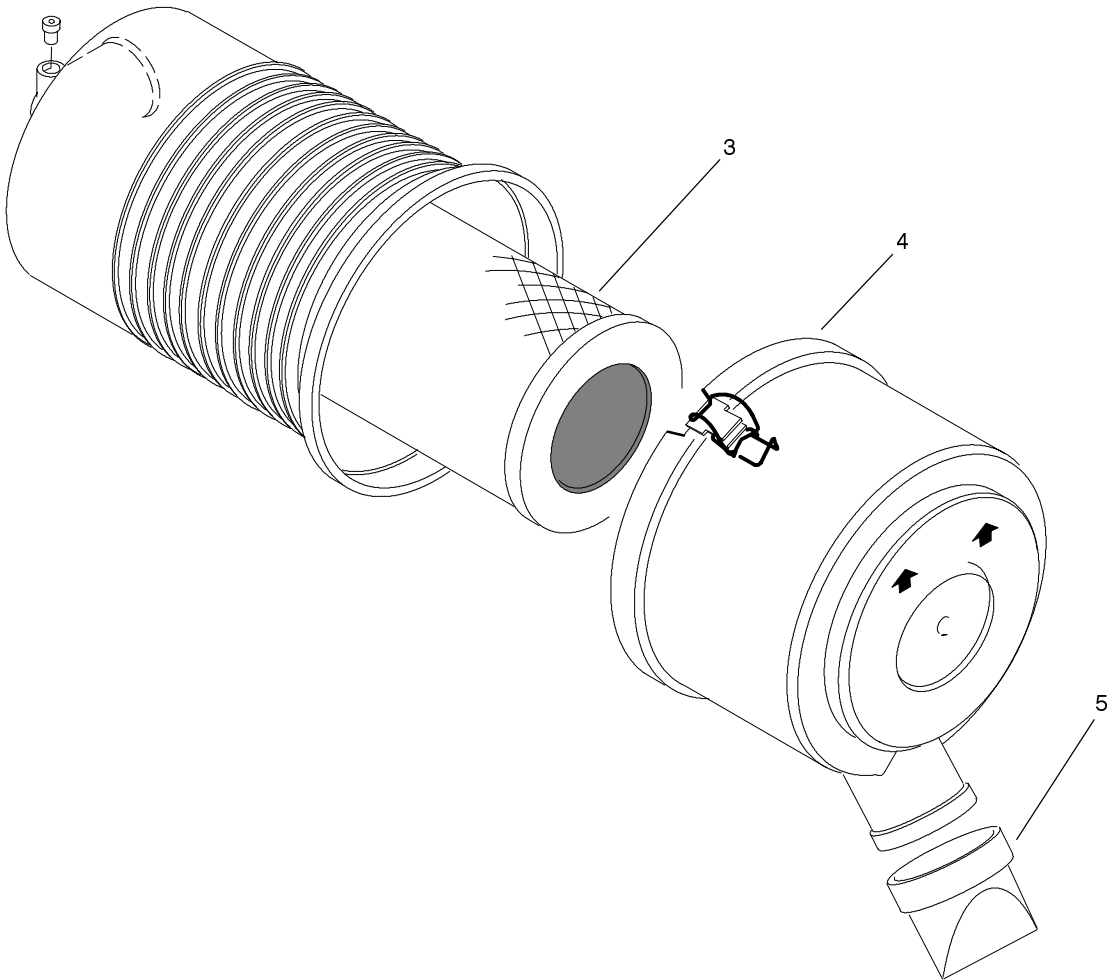


Sheet No.:4

Center Shroud, Air Cleaner and Roll-Over-Protection System Assembly

Ref. No.	Part No.	Qty.	Description
1	93-5044-03	1	Rops (only on: 30302)
2	95-5936	1	Hose - Fuel
3	93-5083	1	Hose-Air Cleaner
5	2412-110	2	Hose Clamp
6	93-5111	1	Air Cleaner
7	93-5084	1	Hose-Air Cleaner
8	93-5253	1	Strip-Foam, Hood
9	93-5157-03	2	Bar-Rops (only on: 30302)
10	3256-6	8	Washer-Flat (only on: 30302)
11	93-5420	8	Screw-HH (only on: 30302)
12	94-8099	2	Decal - 4wd (only on: 30302)
13	33104-016	2	Screw-HHF
14	93-5645	1	Center Shroud ASM
15	33104-020	2	Screw-HHF
16	3256-3	2	Washer-Flat
17	2412-108	2	Clamp-Worm
19	33004-00	2	Nut-HF
20	93-5427	1	Spacer - Intake
21	2412-130	2	Hose Clamp
22	33104-025	2	Screw-HHF

Ref. No.	Part No.	Qty.	Description
23	33124-025	2	Screw-CARR
24	33004-00	2	Nut-HF
25	93-5638	2	Cover - Tube (only on: 30301)
26	33113-020	1	Screw-HH
27	33003-00	2	Nut-HF
28	68-5910	1	Hose-Fuel Line, 19"
34	3255-10	1	Washer-Lock/Ext
35	48-7880	1	Nut-Hex
36	3255-7	1	Washer-Lock/Ext
37	95-5646	1	Decal - Rops (only on: 30302)

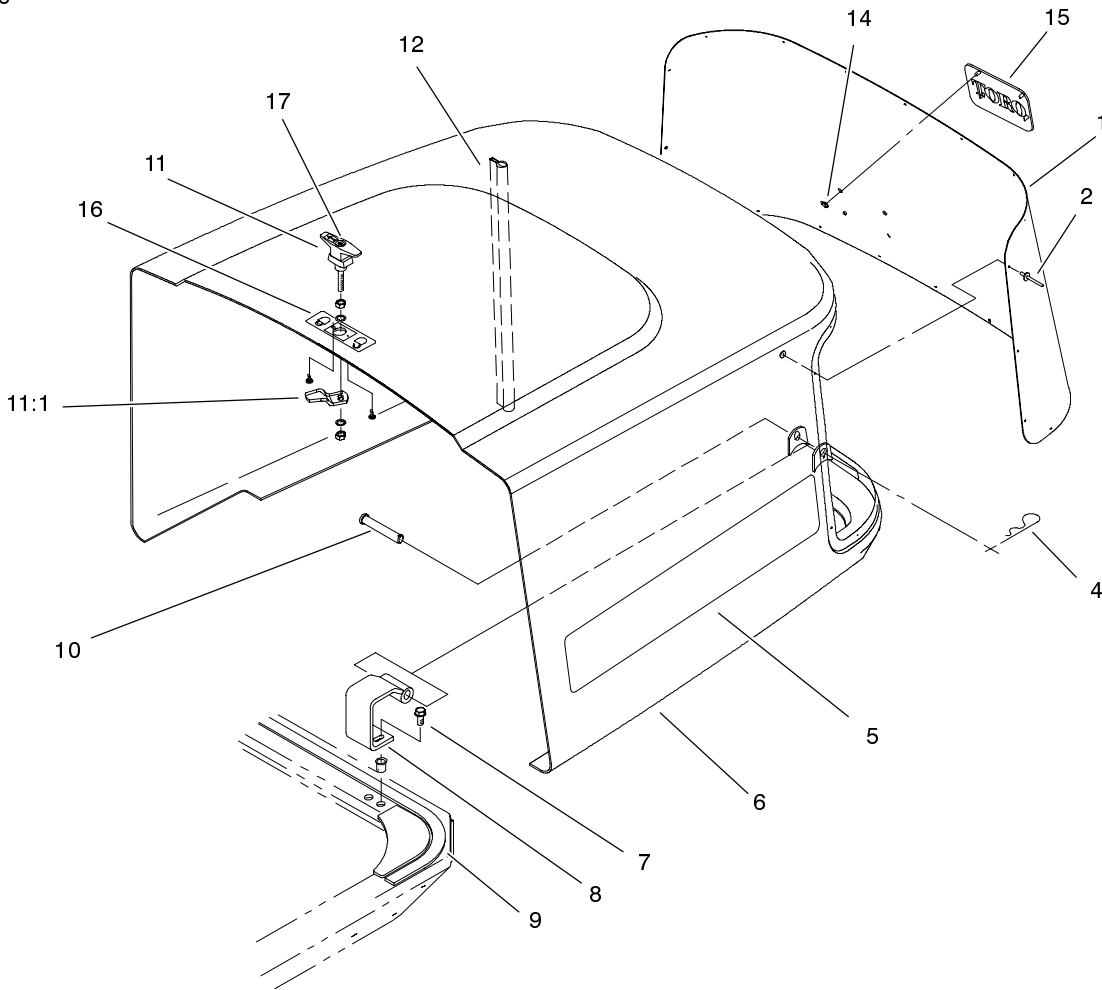


Sheet No.:A1
T-2252-1

Air Cleaner Assembly No. 93-5111

Ref. No.	Part No.	Qty.	Description
3	94-1412	1	Filter - Primary
4	93-5986	1	Cover ASM
5	94-1414	1	Valve-Vacuator

Ref. No.	Part No.	Qty.	Description

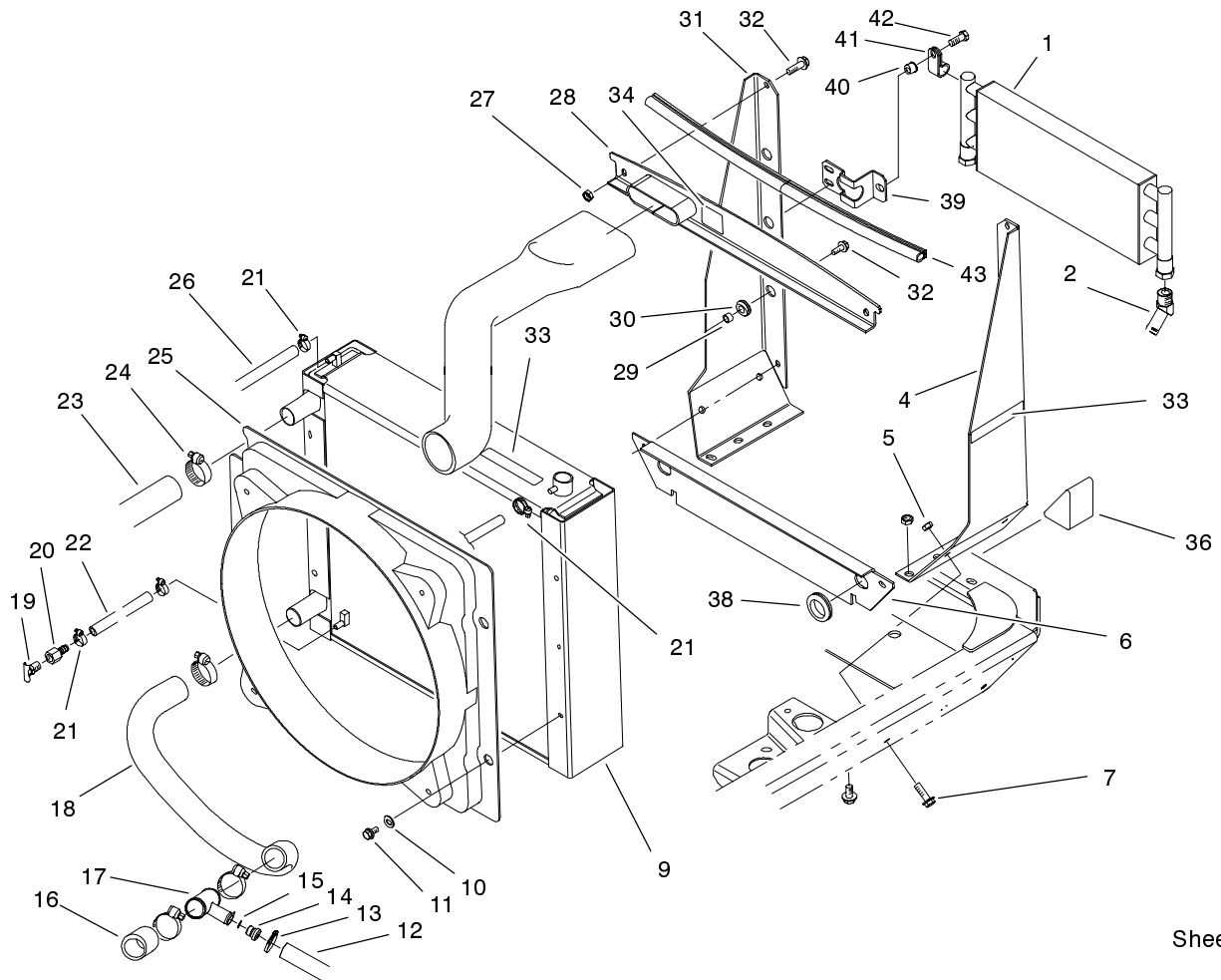


Sheet No.:5

Hood Assembly

Ref. No.	Part No.	Qty.	Description
1	93-5229-03	1	Screen-Rear
2	104-1417	22	Rivet-Plastic
4	3290-467	2	Pin-Hair
5	93-5422	2	Decal - Hood
6	93-5086	1	Hood ASM
7	33104-020	4	Screw-HHF
8	93-5093-03	2	Pivot-Hood
9	93-5254	1	Strip-Foam, Rear
10	283-55	2	Pin-Clevis
11	93-5570	1	Latch - Handle
11:1	93-5566	1	Arm-Latch
12	93-5250	2	Seal-Bulb, Side
14	94-2638	4	Nut-Tinnerman
15	93-6028	1	Plate - Logo, Toro
16	94-6328	1	Decal - Hood Lock
17	94-6329	1	Decal - Arrow

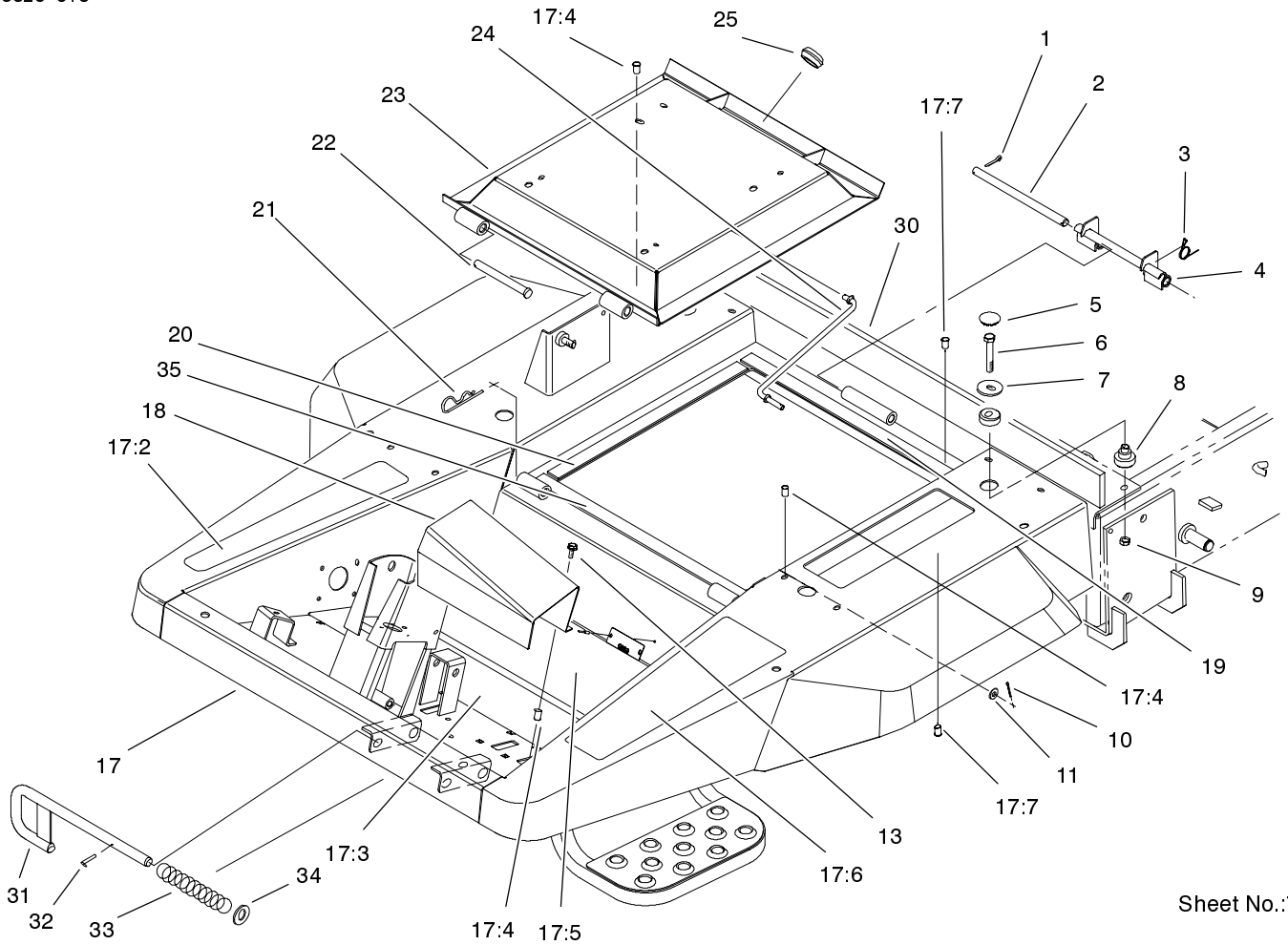
Ref. No.	Part No.	Qty.	Description



Sheet No.:6

Radiator, Oil Cooler and Support Assembly

Ref. No.	Part No.	Qty.	Description	Ref. No.	Part No.	Qty.	Description
1	63-5400	1	Exchanger-Heat	25	93-5034	1	Shroud - Radiator
2	95-5629	2	Fitting - 45 DEG	26	93-5538	1	Hose - Peugeot
4	93-5105-03	1	Support - Radiator	27	33024-00	4	Nut-Lock
5	33025-00	4	Nut-Lock	28	99-5799-03	1	Support ASM
6	95-0987-03	1	Support-Radiator, Lower	29	93-5109	6	Spacer
7	33105-030	4	Screw-HHF	30	93-5108	6	Grommet - Rubber
9	93-5942	1	Radiator	31	93-5104-03	1	Support - Radiator
10	3256-35	4	Washer-Flat	32	33104-020	10	Screw-HHF
11	33104-016	4	Screw-HHF	33	77-3100	3	Decal - Caution
12	93-5537	1	Hose - Peugeot	34	83-9150	1	Decal-Fluid, Starting
13	2412-141	2	Clamp-Drive, Worm	36	93-5954	2	Foam - Plug
14	93-5054	1	Fitting-Restriction	38	240-3	2	Grommet-Rubber
15	93-5392	1	O-Ring	39	95-0972-03	2	Bracket - Cooler
16	93-5597	1	Hose - Radiator	40	32148-9	2	Nut-Insert
17	93-5053	1	Fitting-Radiator	41	2412-81	2	Clamp
18	93-5596	1	Hose - Radiator, Lower	42	323-6	2	Screw-HH
19	93-5528	1	Fitting- Drain Cock	43	93-5251	1	Seal-Bulb, Top
20	354-94	1	Hose-Female, Barb				
21	2412-36	3	Clamp-Hose (only on: 30301)				
22	104-0109	1	Hose				
23	93-5595	1	Hose - Radiator, Upper				
24	2412-111	6	Clamp				



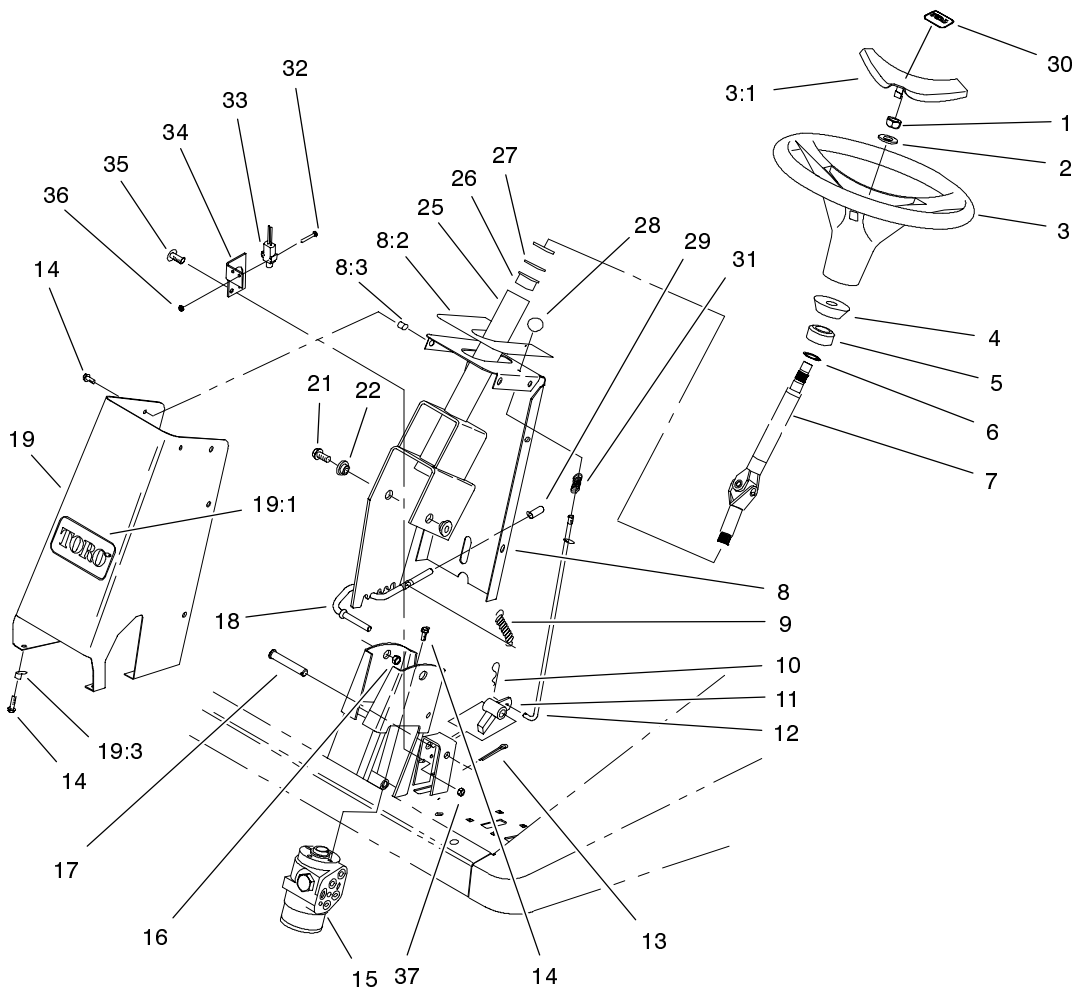
Sheet No.:7

Operator Platform and Seat Base Assembly

Ref. No.	Part No.	Qty.	Description
1	3272-11	2	Pin-Cotter
2	93-5366	1	Shaft-Latch
3	93-5367	1	Spring-Torsion
4	93-5363	1	Latch ASM
5	93-3094	4	Plug - Cap
6	33115-060	4	Screw-HH
7	93-5308	4	Washer-Iso Mount
8	93-5307	4	Mount -Iso
9	33025-00	4	Nut-Lock
10	3272-5	2	Pin-Cotter
11	3256-23	2	Washer-Flat
13	33103-016	2	Screw-HHF
☆17		1	Platform ASM
17:2	92-5772	1	Decal - Traction Pedal
17:3	93-5348	1	Abrasive-Floor
17:4	93-5447	13	Nut-Clinch
17:5	93-5349	1	Abrasive-Floor
17:6	93-5507	1	Abrasive - Platform
17:7	93-5449	4	Nut-Clinch
18	93-5310-01	1	Cover-Tubes
19	93-5335	1	Strip-Foam, Seat
20	93-5334	2	Strip-Foam, Seat
21	3290-355	2	Pin-Hair
22	283-83	2	Pin-Clevis
23	98-2395-03	1	Seat-Base
24	93-5338	1	Rod-Prop

Ref. No.	Part No.	Qty.	Description
25	240-5	1	Grommet
30	93-5255	1	Strip-Foam, Plat
31	95-3033	1	Rod
32	32121-79	1	Pin-Roll
33	28-0570	1	Spring-Compression
34	3256-69	1	Washer-Flat
35	99-5789	1	Strip-Foam

☆ Not serviced

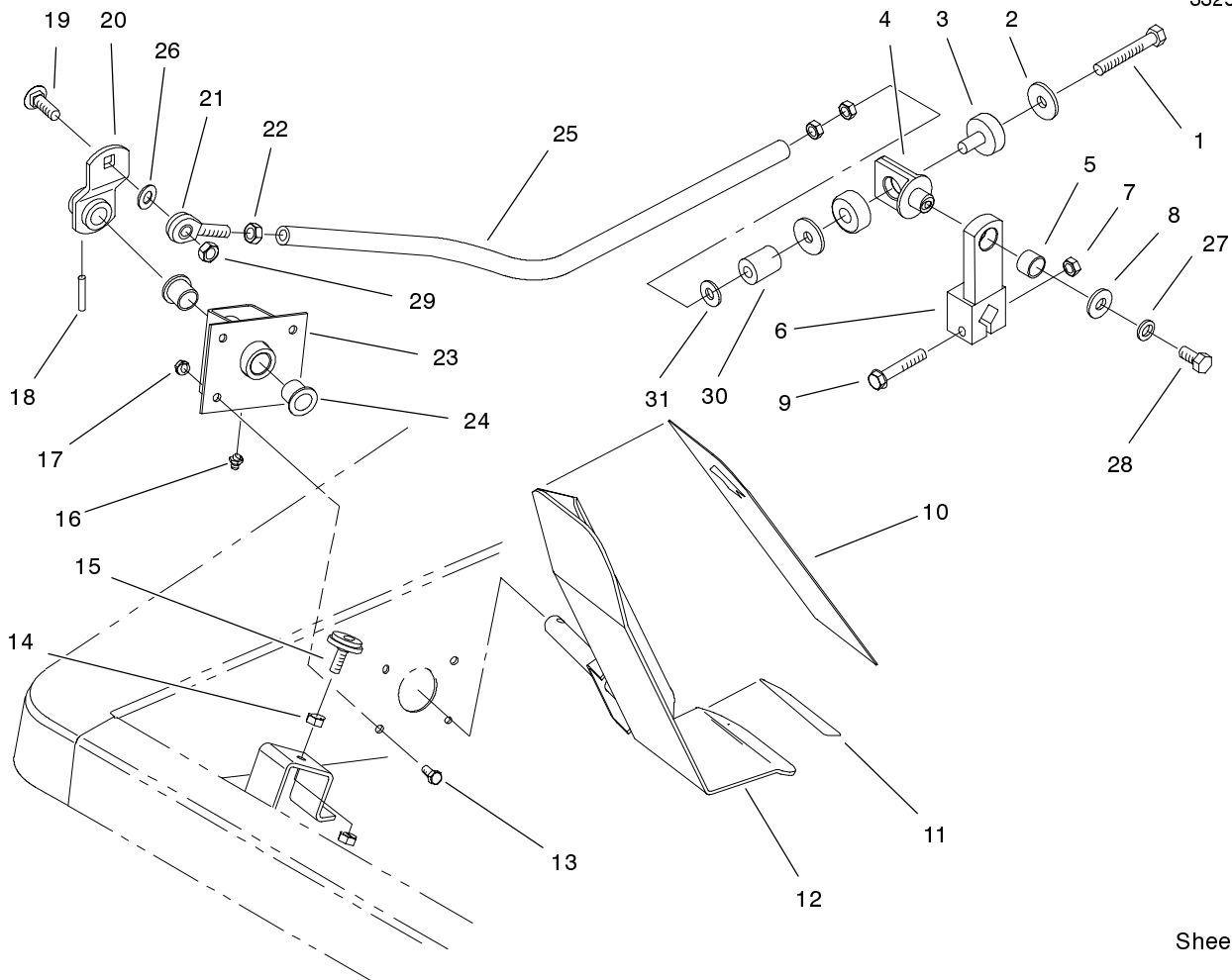


Sheet No.:8

Steering Tower Assembly

Ref. No.	Part No.	Qty.	Description
1	93-5590	1	Nut-Hex
2	3256-27	1	Washer-Flat
3	98-1471	1	Wheel - Steering
3:1	98-1468	1	Cover-Wheel, Steering
4	93-5429	1	Collar - Foam
5	93-5439	1	Seal - Steering
6	32151-29	2	Ring-Snap, External
7	93-5428	1	Steering Shaft ASM
8	95-5100	1	Tower Cover ASM
8:2	95-0814	1	Decal - Steering Tower
8:3	93-5447	8	Nut-Clinch
9	93-5985	1	Spring - Extension
10	3272-5	1	Pin-Cotter
11	93-5276-03	1	Brake Pawl ASM
12	104-8308	1	Rod ASM
13	3272-10	1	Pin-Cotter
14	33103-016	16	Screw-HHF
15	93-5165	1	Valve-Control, Steering
16	33005-00	2	Nut-Hex Flange
17	283-5	1	Pin-Clevis
18	93-5989	1	Rod-Tilt
19	93-5633	1	Tower Housing ASM
19:1	67-1300	1	Decal - Toro

Ref. No.	Part No.	Qty.	Description
19:3	93-5447	4	Nut-Clinch
21	33105-025	2	Screw-HHF
22	93-5988	2	Hub - Pivot
25	93-5205-03	1	Steering Column ASM
26	256-132	2	Bushing-Flange
27	256-260	4	Washer-Thrust
28	93-5312	1	Knob
29	93-5446	1	Cap - Vinyl
30	98-1459	1	Decal-Toro
31	71-8310	1	Spring-Compression
32	3250-35	2	Screw-PPH
33	99-3410	1	Switch
34	104-0128	1	Bracket-Switch
35	32122-42	2	Screw
36	3296-9	2	Nut-Lock NI
37	3296-42	2	Nut-Lock NI

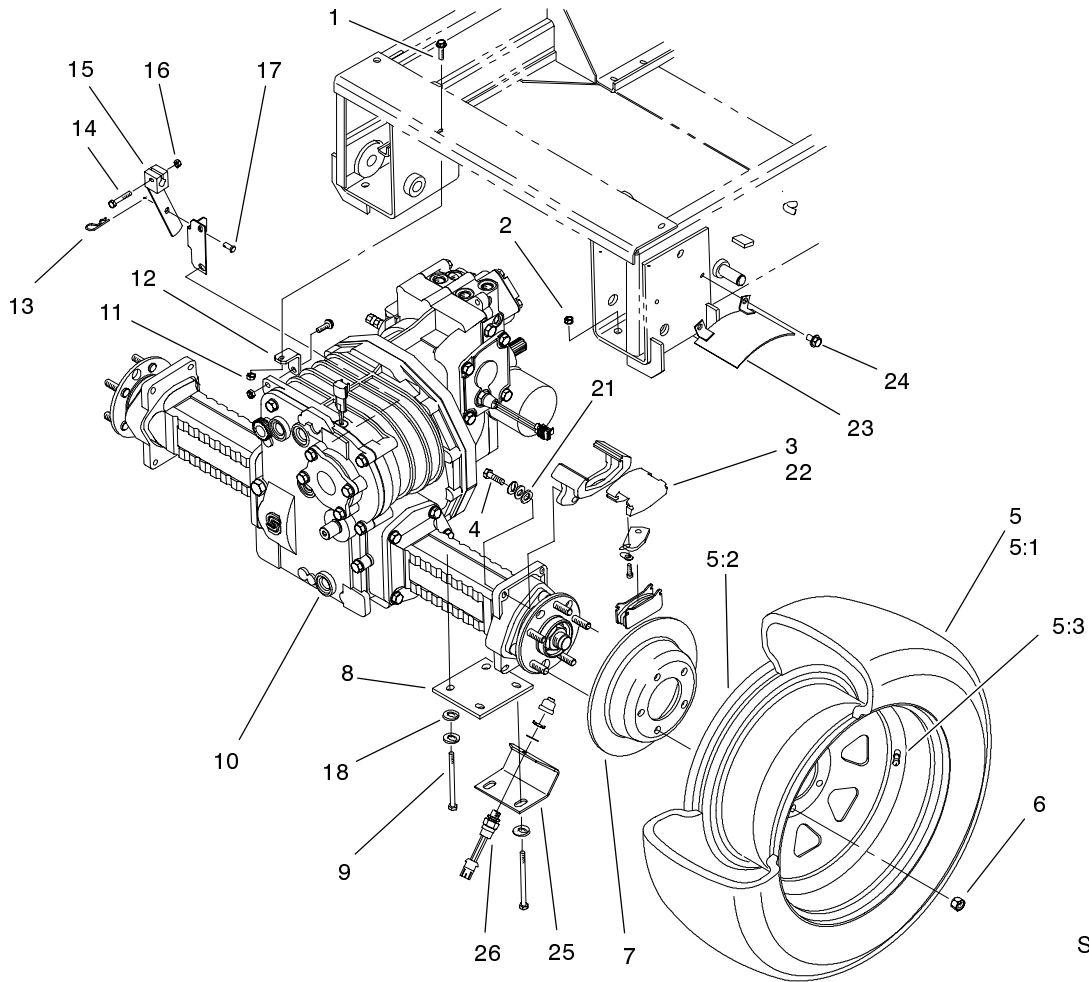


Sheet No.:9

Traction Pedal and Linkage Assembly

Ref. No.	Part No.	Qty.	Description
1	3211-15	1	Screw-HH
2	63-8410	2	Washer
3	95-2596	1	Mount - Iso
4	95-2595	1	Post - Pivot
5	256-42	1	Bushing
6	95-2598-03	1	Lever
7	33024-00	1	Nut-Lock
8	80-6990	1	Washer-Hardened
9	33104-050	1	Screw-HHF
10	93-5347	1	Abrasive-Pedal
11	93-5368	1	Abrasive-Pedal
12	93-5133-01	1	Traction Pedal ASM
13	33113-016	4	Screw-HH
14	3217-6	2	Nut-Hex
15	32141-36	1	Screw-Adjust, Level
16	302-5	1	Fitting-Grease
17	33003-00	4	Nut-HF
18	32121-9	1	Pin-Spring
19	3231-25	1	Screw-CARR
20	93-5137	1	Lever-Traction
21	2411-36	1	Bearing-End, Rod
22	3220-3	3	Nut-Jam
23	93-5129-03	1	Bracket-Pedal
24	256-10	2	Bushing-Flange
25	100-5597-03	1	Tube-Control
26	3256-24	1	Washer-Flat

Ref. No.	Part No.	Qty.	Description
27	3253-21	1	Washer-Lock
28	3211-2	1	Screw-HH
29	3296-59	1	Nut-Lock NI
30	66-4310	1	Tube-Pivot (only on: 30302)
31	3256-3	1	Washer-Flat (only on: 30302)



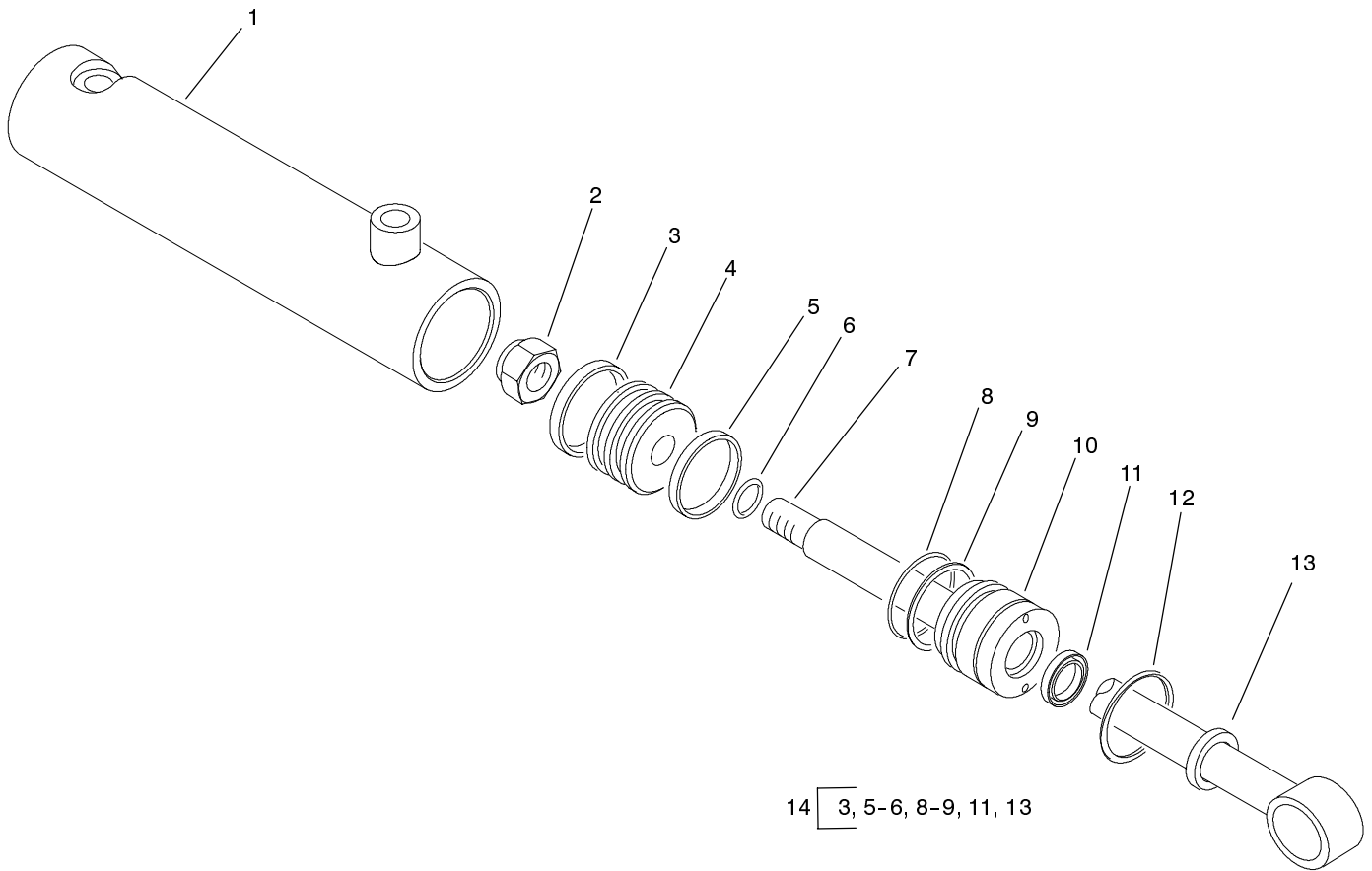
Sheet No.:10

Front Axle, Brake and Tire Assembly

Ref. No.	Part No.	Qty.	Description
1	33104-025	2	Screw-HHF
2	33006-00	8	Nut-Hex Flange
3	95-2619	1	Caliper-Brake, LH
4	323-44	4	Screw-HH
☆5		2	Tire & Wheel Assembly
5:1	95-2638	1	Tire
5:2	98-2374	1	Rim
5:3	232-27	1	Stem-Valve
6	93-5268	10	Nut-Lug
7	93-5958	2	Brake - Rotor
8	93-5036-03	2	Plate - Axle
9	100-1373	8	Screw-HH
10	95-2630	1	Axle - lht
11	33024-00	2	Nut-Lock
12	93-5306	1	Bracket-Transaxle
13	3290-467	1	Pin-Hair
14	33114-040	1	Screw-HH
15	93-5383-03	1	Lever
16	33024-00	1	Nut-Lock
17	283-62	1	Pin-Clevis
18	3256-26	14	Washer-Flat
21	3290-461	12	Washer-Spring
22	95-2623	1	Caliper-Brake, RH
23	93-5977-03	2	Shield-Brake
24	32144-14	4	Screw-HWH

Ref. No.	Part No.	Qty.	Description
25	93-4869-03	1	Bracket - Switch
26	94-3429	1	Switch-Ball

☆ Not serviced

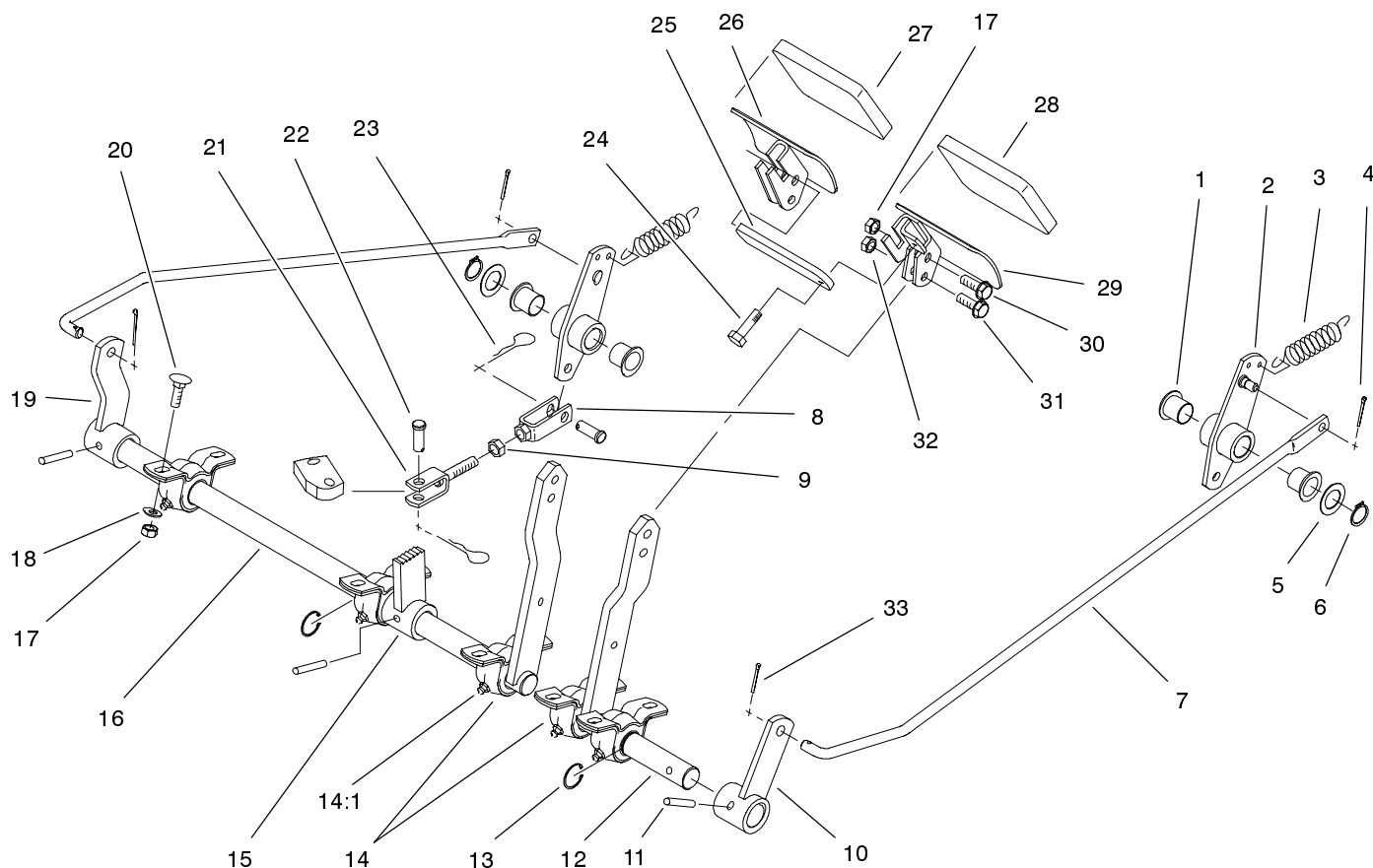


T-3210
Sheet No.:A3

Hydraulic Cylinder Assembly No. 95-5699

Ref. No.	Part No.	Qty.	Description
1	95-2606	1	Tube ASM
2	95-2601	1	Nut-Lock
4	95-2603	1	Piston
7	95-2605	1	Rod ASM
10	95-2602	1	Head
12	95-2604	1	Ring-Retaining
14	95-2607	1	Repair Kit

Ref. No.	Part No.	Qty.	Description

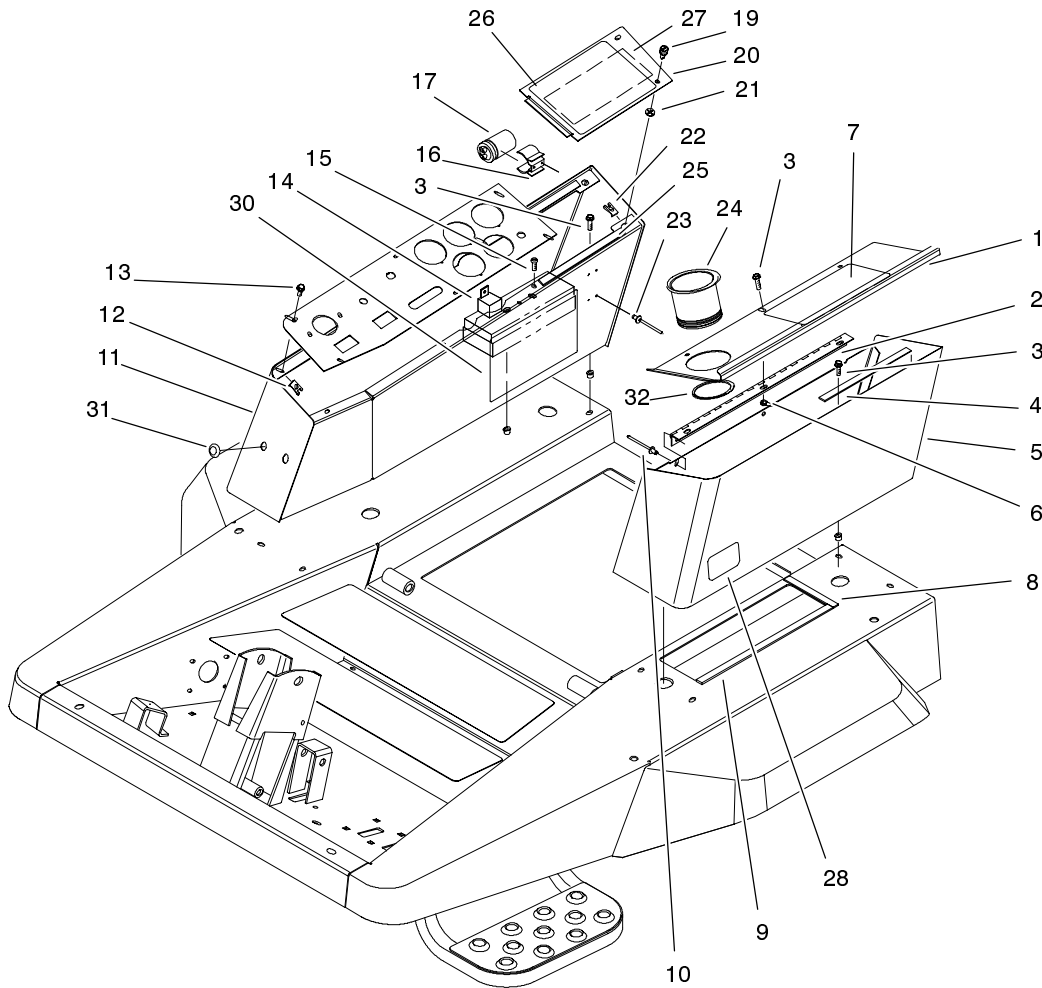


Sheet No.:12

Brake Pedals and Linkage Assembly

Ref. No.	Part No.	Qty.	Description
1	93-5313	4	Bushing - Nylon
2	93-5326	2	Bellcrank
3	93-5262	2	Spring-Extension
4	3272-7	2	Pin-Cotter
5	3-6498	2	Washer-Thrust
6	32120-72	2	Ring-Snap
7	93-5333	2	Rod-Control
8	93-5552	2	Clevis
9	3220-3	2	Nut-Jam
10	93-5473-03	1	Lever-Brake, LH
11	32121-15	3	Pin-Roll
12	93-5280-03	1	Arm-Brake, LH
13	32151-83	3	Ring-Snap
14	93-4849	5	Bearing - Pillow Block
14:1	302-5	3	Fitting-Grease
15	93-5475-03	1	Brake Latch ASM
16	93-5284-03	1	Arm-Brake, RH
17	33024-00	14	Nut-Lock
18	33094-00	10	Washer-Flat
19	93-5474-03	1	Lever-Brake, RH
20	33124-020	10	Screw-CARR
21	93-5551	2	Clevis
22	283-2	4	Pin-Clevis
23	3290-467	4	Pin-Hair
24	33114-020	1	Screw-HH
25	93-5568	1	Arm - Lock

Ref. No.	Part No.	Qty.	Description
26	93-5456-03	1	Pedal ASM-RH
27	27-7580	1	Right Turn Pad
28	27-7570	1	Left Turn Pad
29	93-5455-03	1	Pedal ASM-LH
30	33114-025	3	Screw-HH
31	322-4	1	Screw-HH
32	3218-2	1	Nut-Jam
33	3272-10	2	Pin-Cotter

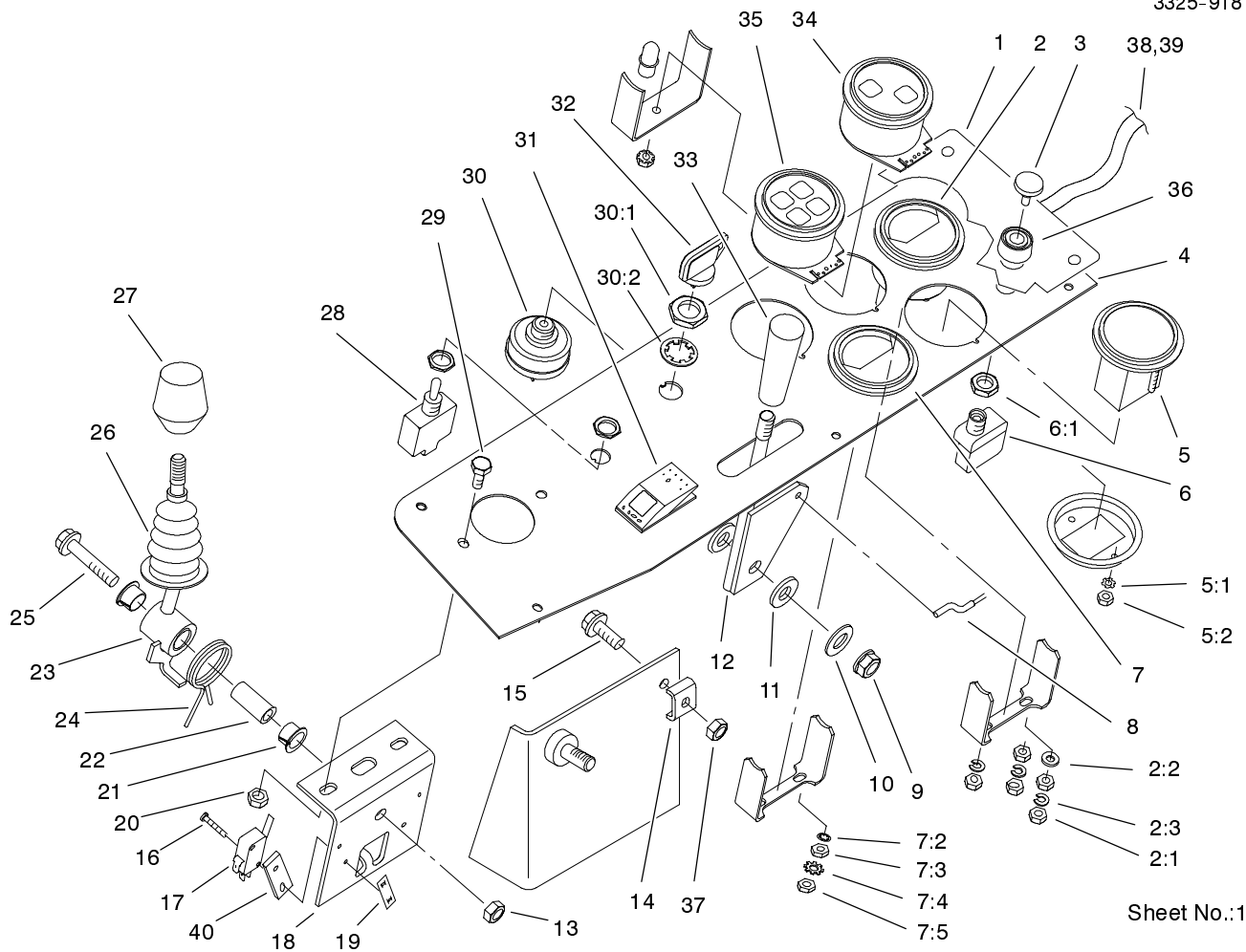


Sheet No.:13

Control Console and Tool Box Assembly

Ref. No.	Part No.	Qty.	Description
1	93-5403-03	1	Cover - Console
2	93-5554	1	Hinge - Cover
3	33103-016	12	Screw-HHF
4	66-3050	2	Latch-Tool Box
5	93-5399-03	1	Console-LH
6	33003-00	3	Nut-HF
7	93-5621	1	Decal - Warning (only on: 30301)
7	93-5622	1	Decal - Warning (only on: 30302)
8	93-5413	2	Strip-Foam
9	93-5414	2	Strip-Foam
10	93-8744	3	Pop - Rivet
11	93-5369-03	1	Console
12	3290-191	6	Nut-Speed
13	3250-14	6	Screw-PPH
14	116397	7	Relay
15	93-5949	2	Screw - Machine
16	74-2310	2	Clamp-Plastic
17	37-2690	2	Capacitor
19	93-5556	2	Screw - Knurled
20	93-5527-03	1	Panel - Access
21	93-5557	2	Retainer - Nylon
22	93-5558	2	Nut - Clip On
23	117433	4	Poprivet
24	94-1410	1	Holder-Can, Beverage

Ref. No.	Part No.	Qty.	Description
25	93-5934	1	Decal - Service
26	93-5930	1	Decal-Operating Instructions
27	93-5932	1	Decal Fuses, Diesel
28	67-1710	1	Decal-Warning
29	104-0131	1	Decal-Ansi
30	93-5637	2	Strip - Foam
31	93-5992	2	Plug
32	104-1476	1	Ring-Rubber (only on: 30302)

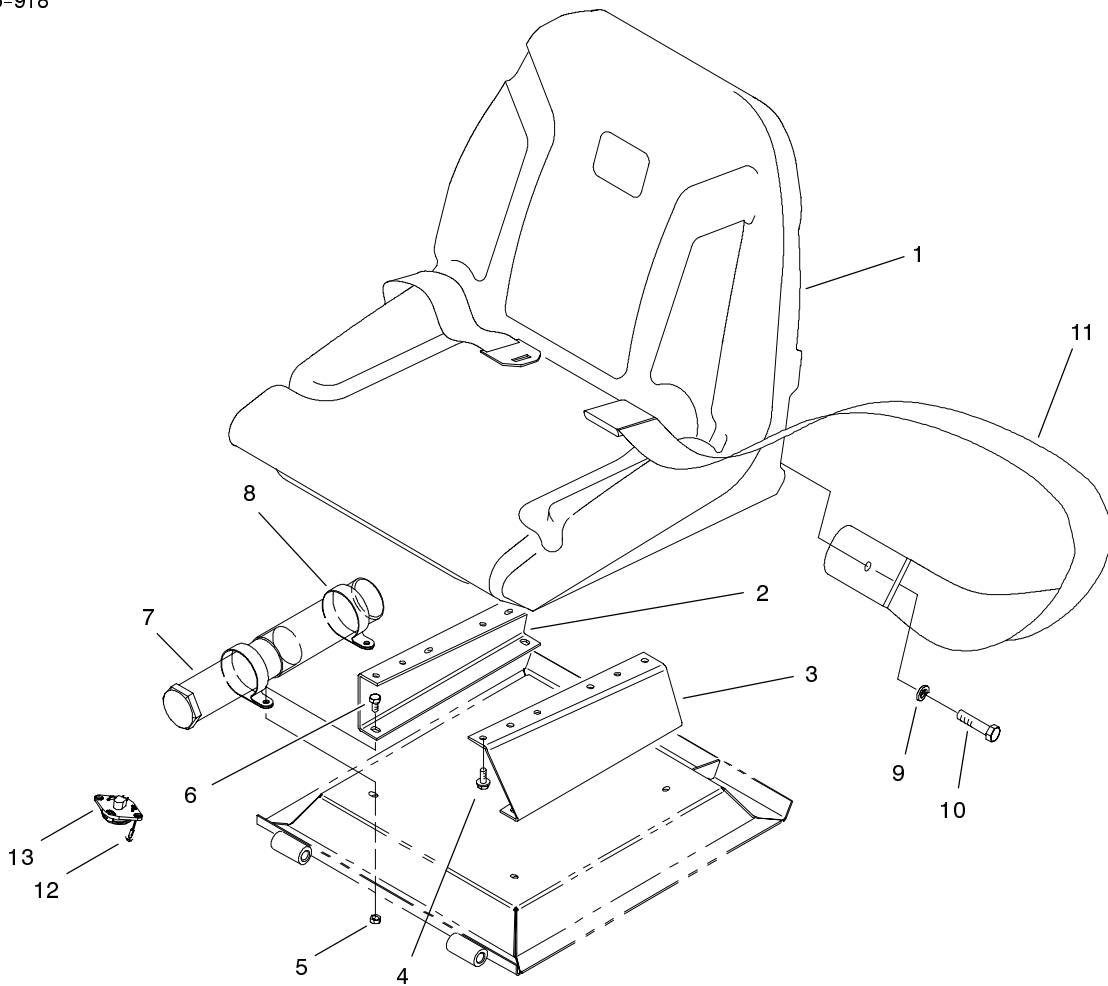


Sheet No.:14

Control Console Assembly

Ref. No.	Part No.	Qty.	Description
1	93-5425	1	Decal - Control, DI
2	76-9060	1	Gauge-Temperature
2:1	3219-14	6	Nut-Hex
2:2	3253-2	5	Washer-Lock/Sp
2:3	3256-14	2	Washer-Flat
3	43-6280	1	Button-Push
4	93-5376-03	1	Plate-Control, Dsl
5	66-2950	1	Gauge-Hourmeter
5:1	3255-20	2	Washer-Lock
5:2	3217-25	2	Nut-Hex
6	72-9760	1	Switch
6:1	218-498	1	Locknut-Hex
7	66-2940	1	Gauge-Fuel
7:2	3254-1	2	Washer-Lock/Int
7:3	3217-27	2	Nut-Hex
7:4	3255-24	3	Washer-Lock/Ext
7:5	3217-16	3	Nut-Hex
8	93-5350	1	Cable-Throttle
9	95-1579	1	Nut-Lock
10	3256-24	1	Washer-Flat
11	66-2920	2	Washer-Friction
12	93-5373	1	Lever-Throttle
13	33024-00	1	Nut-Lock
14	29-9550	1	Cable Clamp
15	33103-016	1	Screw-HHF
16	3290-329	4	Screw-PPH

Ref. No.	Part No.	Qty.	Description
17	111332	2	Switch
18	93-5991-03	1	Bracket - Lift Lever
19	3290-354	2	Nut-Speed
20	33023-00	2	Nut-Lock
21	93-5547	2	Bushing - Nylon
22	93-5512	1	Spacer
23	93-5515-03	1	Lever
24	93-5509	1	Spring - Tension
25	33104-040	1	Screw-HHF
26	93-5961	1	Boot - Lever
27	233-37	1	Knob
28	93-5270	1	Switch - PTO
29	33103-016	2	Screw-HHF
30	27-2360	1	Switch-Key
30:1	218-446	1	Nut-Hex
30:2	218-447	1	Washer-Lock
31	93-5476	1	Switch-Carling
32	62-7770	1	Key-Ignition
33	233-39	1	Knob-Control
34	93-5481	1	Cluster-Warning Light
35	93-5478	1	Cluster-Warning Light
36	43-6420	1	Bezel
37	33003-00	1	Nut-HF
38	104-0130	1	Harness - Wire
39	104-0129	1	Harness - Wire
40	61-2990	2	Spacer

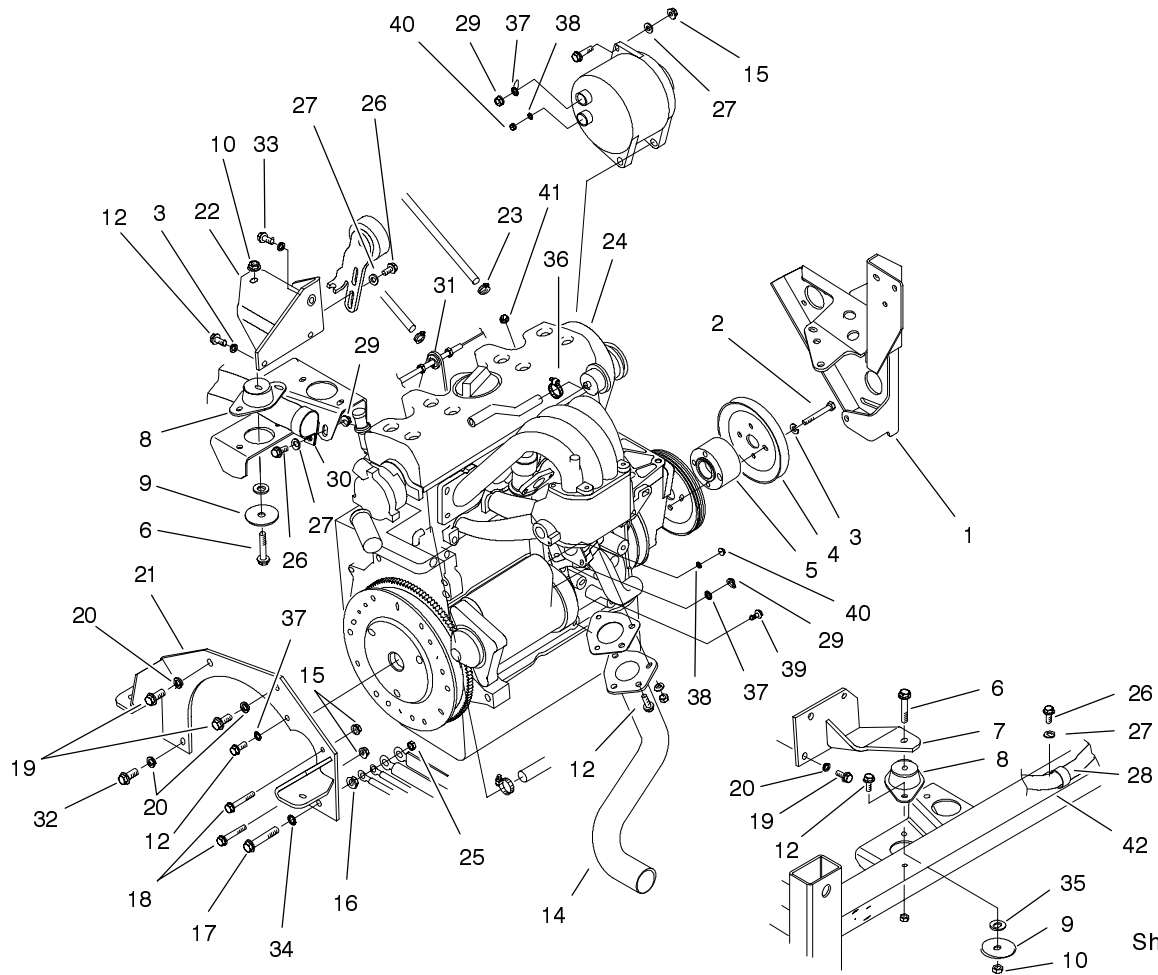


Sheet No.:16

Seat Assembly

Ref. No.	Part No.	Qty.	Description
1	104-0132	1	Standard Seat Kit
2	93-5599-03	1	Bracket - Seat, RH
3	93-5600-03	1	Bracket - Seat, LH
4	3234-5	4	Screw-HHF
5	33024-00	4	Nut-Lock
6	33114-016	4	Screw-HH
7	74-0720	1	Tube-Manual
8	2412-133	2	R-Clamp
9	3253-6	2	Washer-Lock/Sp (only on: 30302)
10	3212-4	2	Screw-HH (only on: 30302)
11	72-9390	1	Belt-Seat (only on: 30302)
12	32144-10	2	Screw-HWH
13	92-6282	1	Switch-Seat (only on: 30302)

Ref. No.	Part No.	Qty.	Description

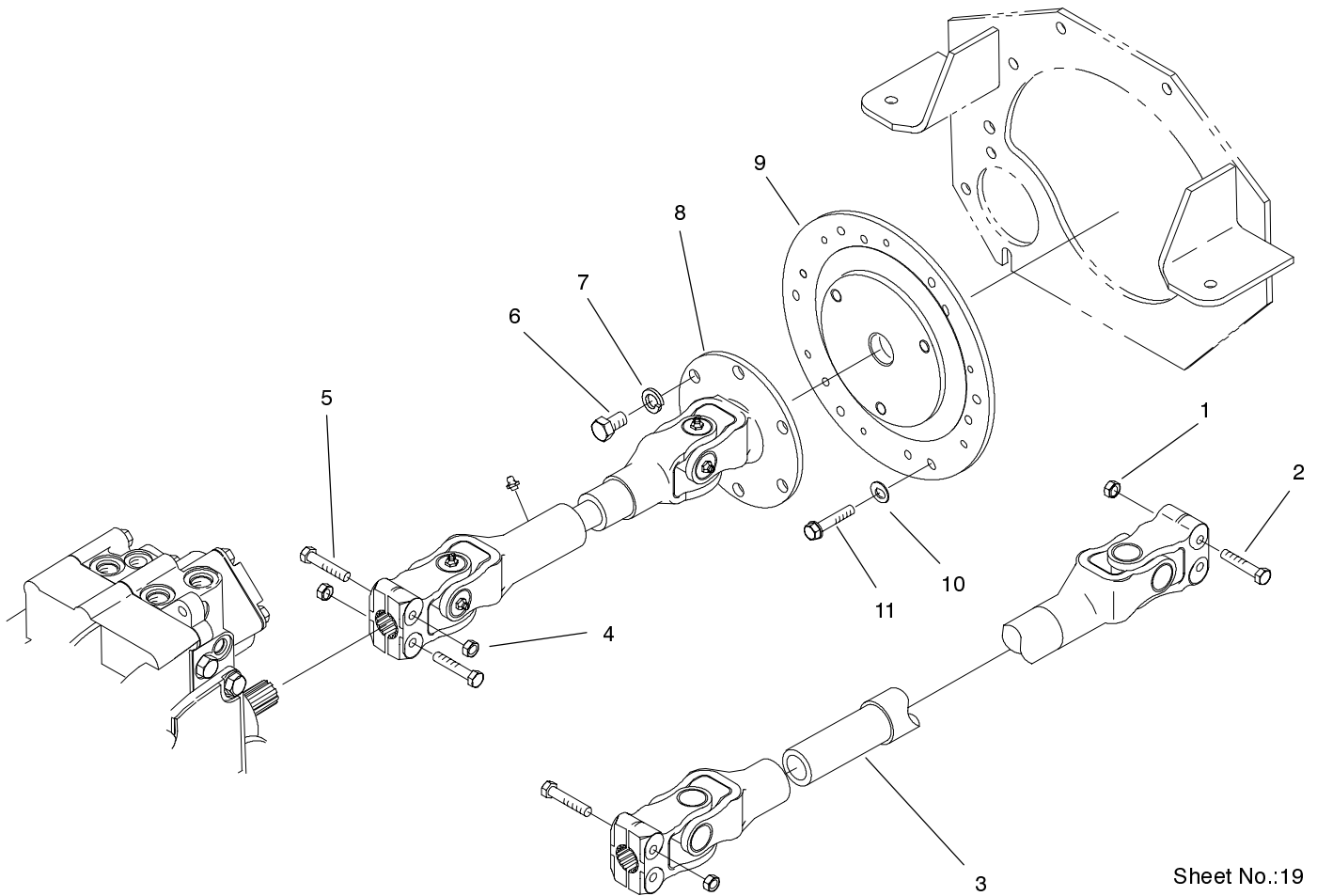


Sheet No.:17

Engine and Fan Drive Assembly

Ref. No.	Part No.	Qty.	Description
1	93-5166-03	1	Bracket-Fan
2	33114-060	4	Screw-HH
3	3253-4	7	Washer-Lock
4	93-5192-03	1	Pulley-Crank
5	93-5196	1	Spacer - Crank
6	57-6360	4	Screw-Clutch
7	93-5062-03	1	Mount-Engine, LH
8	93-5265	4	Mount-Engine
8	33024-00	8	Nut-Lock
9	87-5100	4	Washer - Snubbing
10	33025-00	3	Nut-Lock
12	33104-020	8	Screw-HHF
13	33104-020	4	Screw-HHF
14	93-5049	1	Pipe-Exhaust
15	33024-00	3	Nut-Lock
16	33005-00	1	Nut-Hex Flange
17	71-4690	1	Screw-HH
18	33104-050	2	Screw-HHF
19	33105-025	5	Screw-HHF
20	3253-6	6	Washer-Lock/Sp
21	93-5055-03	1	Plate-Engine, Front
22	93-5059-03	1	Mount-Engine, RH
23	2412-108	2	Clamp-Worm
24	93-5389	1	Engine-Peugeot
25	33015-00	1	Nut-Hex
26	33114-020	4	Screw-HH

Ref. No.	Part No.	Qty.	Description
27	3256-23	5	Washer-Flat
28	2412-104	1	R Clamp
29	33004-00	3	Nut-HF
30	2412-147	1	Clamp
31	86-2990	2	Mount-Throttle Cable
32	33105-035	1	Screw-HHF
33	33104-035	1	Screw-HHF
34	3255-9	1	Washer-Lock/Ext
35	33095-00	4	Washer-Flat
36	2412-36	2	Clamp-Hose
37	3255-8	3	Washer-Lock/Ext
38	3255-10	2	Washer-Lock/Ext
39	33103-016	2	Screw-HHF
40	48-7880	2	Nut-Hex
41	48-7870	1	Nut
42	93-5450	1	Nut-Clinch

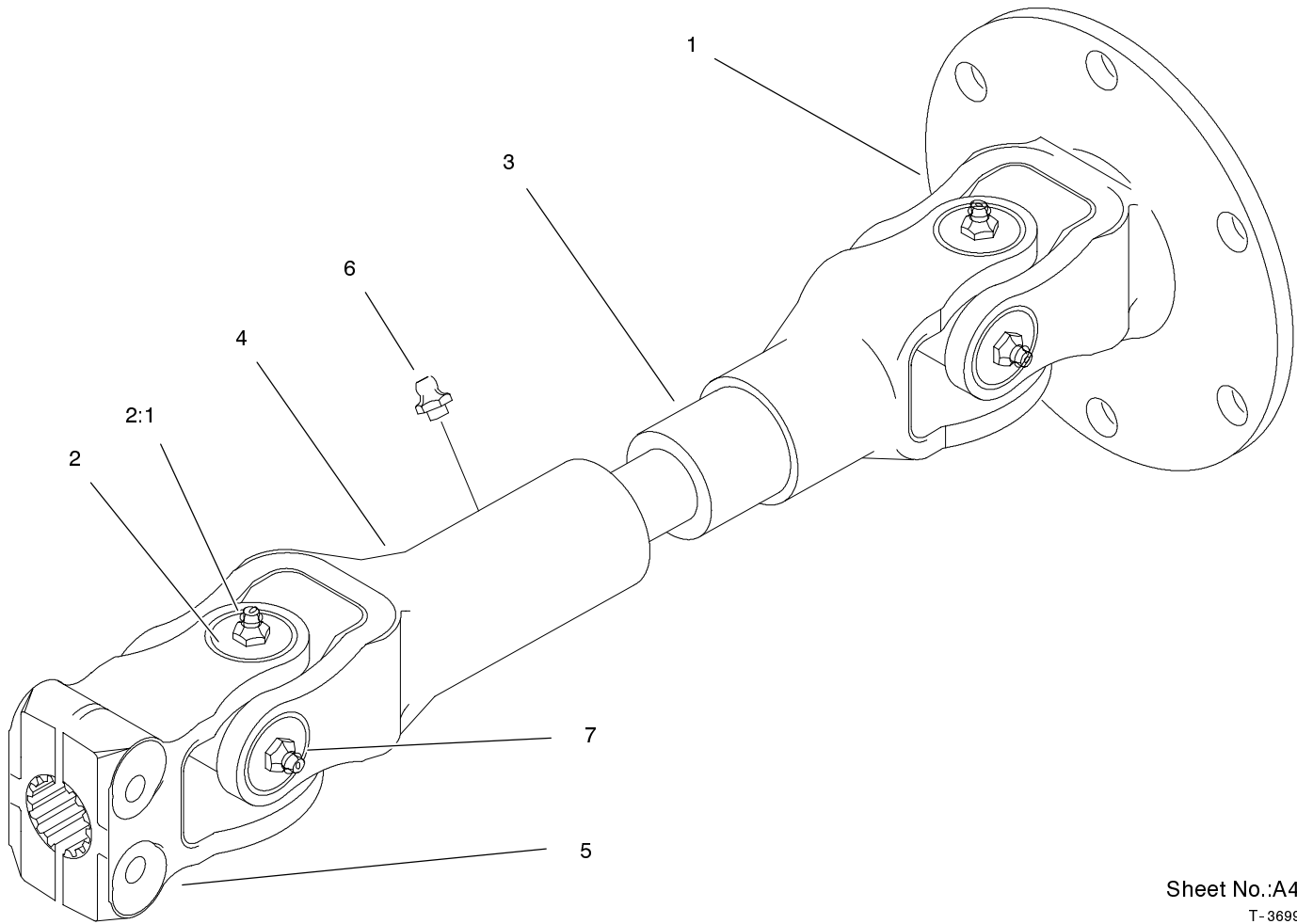


Sheet No.:19

Drive Shaft and Adapter Assembly

Ref. No.	Part No.	Qty.	Description
1	33024-00	4	Nut-Lock (only on: 30302)
2	33114-045	4	Screw-HH (only on: 30302)
3	93-5042	1	Driveshaft-4wd (only on: 30302)
4	33025-00	2	Nut-Lock
5	33115-045	2	Screw-HH
6	33106-020	3	Screw-HHF
7	3253-7	3	Washer-Lock
8	100-1353	1	Driveshaft - Engine
9	93-5043-03	1	Coupler - Engine
10	3253-4	6	Washer-Lock
11	93-5398	6	Screw-HH

Ref. No.	Part No.	Qty.	Description

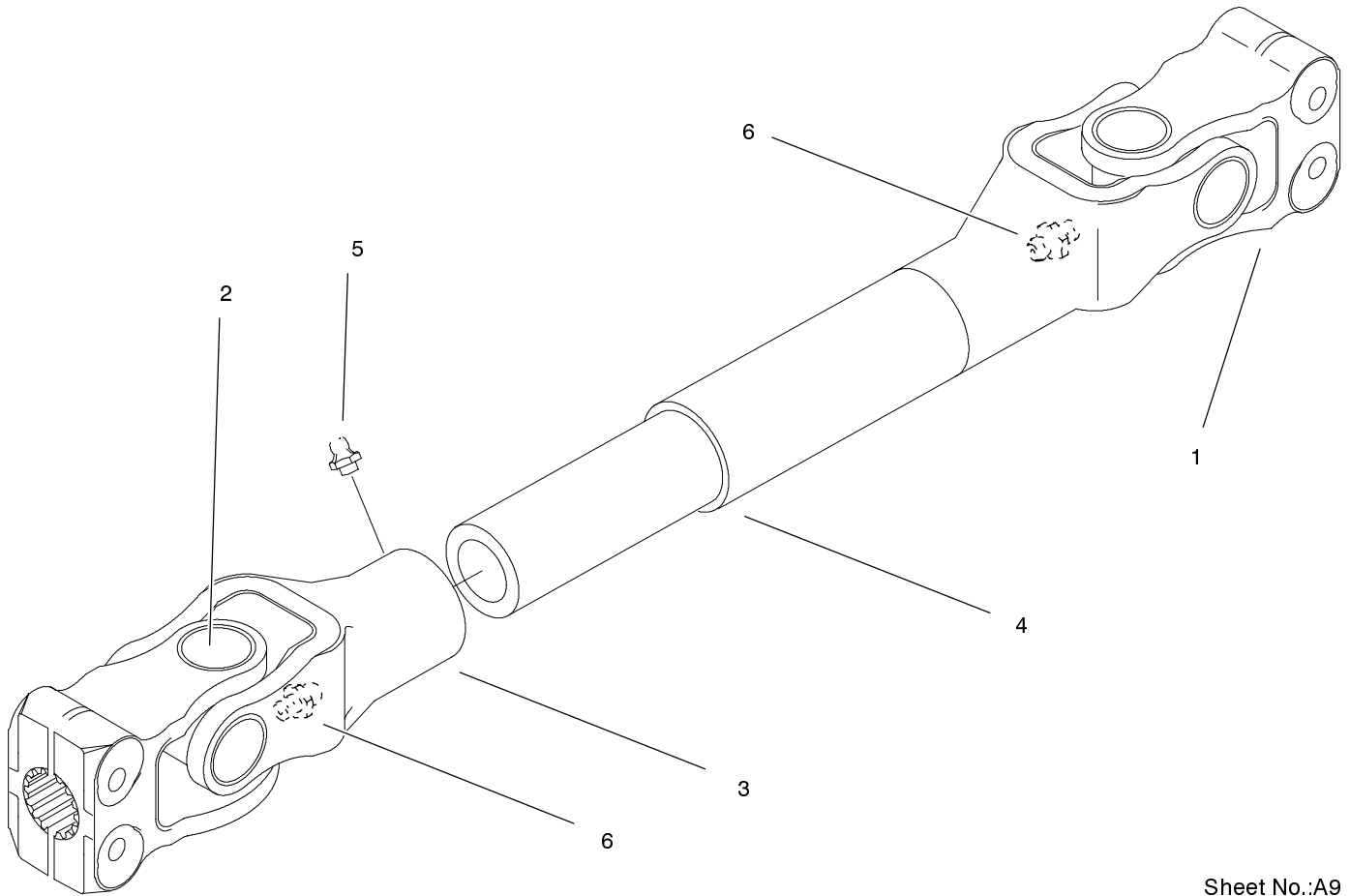


Sheet No.:A4
T-3699

Engine Drive Shaft Assembly No. 100-1353

Ref. No.	Part No.	Qty.	Description
1	95-2643	1	Yoke-Flange
2	95-2644	2	Cross & Bearing Kit
2:1	302-58	1	Fitting-Grease
3	95-2599	1	Yoke & Shaft
4	95-2600	1	Yoke-Slip
5	100-1354	1	Yoke-Clamp
6	302-5	1	Fitting-Grease
7	302-58	4	Fitting-Grease

Ref. No.	Part No.	Qty.	Description

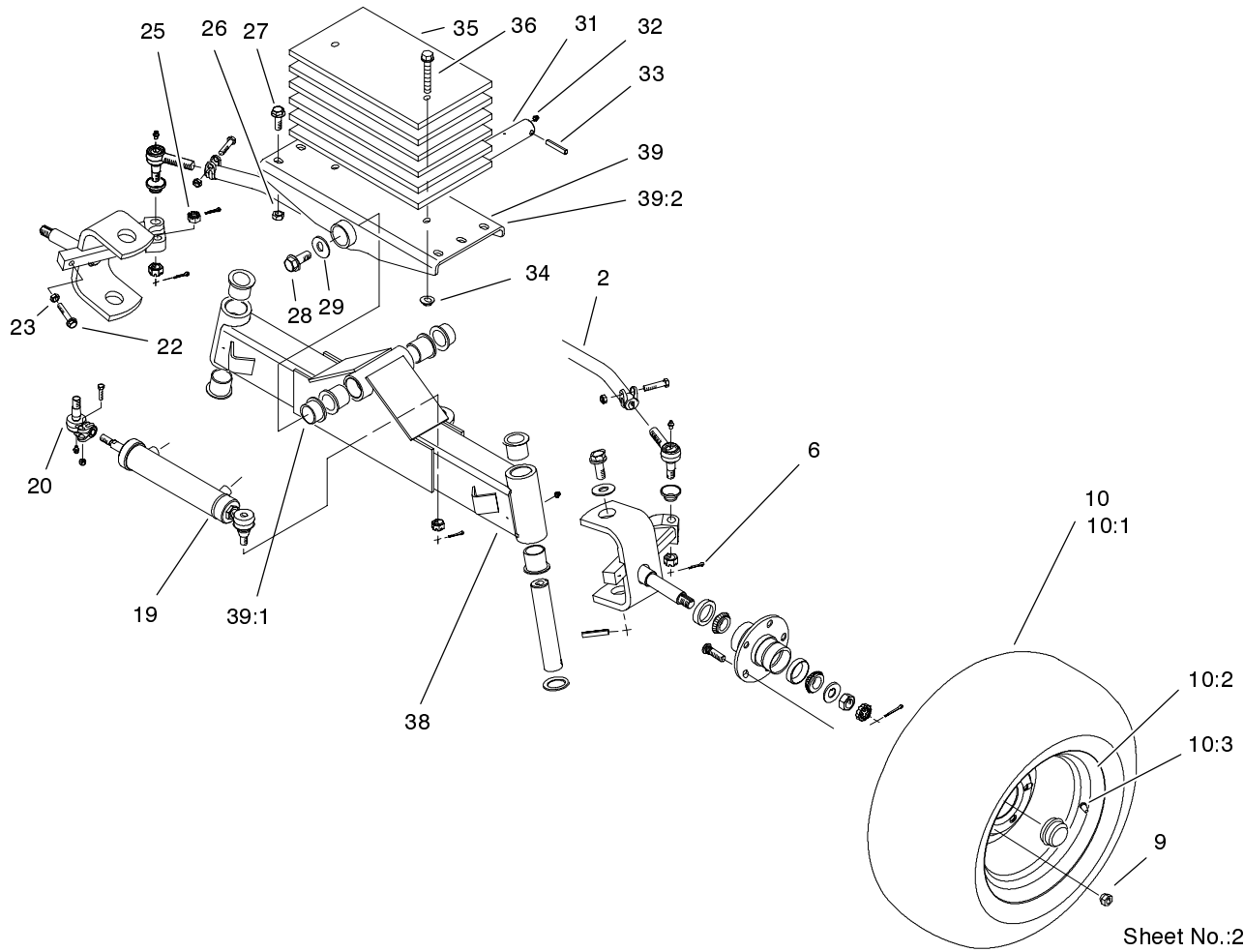


Sheet No.:A9
T-3700

4 WD Drive Shaft ASM No. 93-5042 (Model 30302 Only)

Ref. No.	Part No.	Qty.	Description
1	93-5560	2	Yoke-Clamp (only on: 30302)
2	93-5561	2	Cross & Bearing Kit (only on: 30302)
3	93-5564	1	Yoke & Shaft (only on: 30302)
4	93-5565	1	Yoke & Sleeve (only on: 30302)
5	302-5	1	Fitting-Grease (only on: 30302)
6	302-8	2	Fitting-Grease (only on: 30302)

Ref. No.	Part No.	Qty.	Description



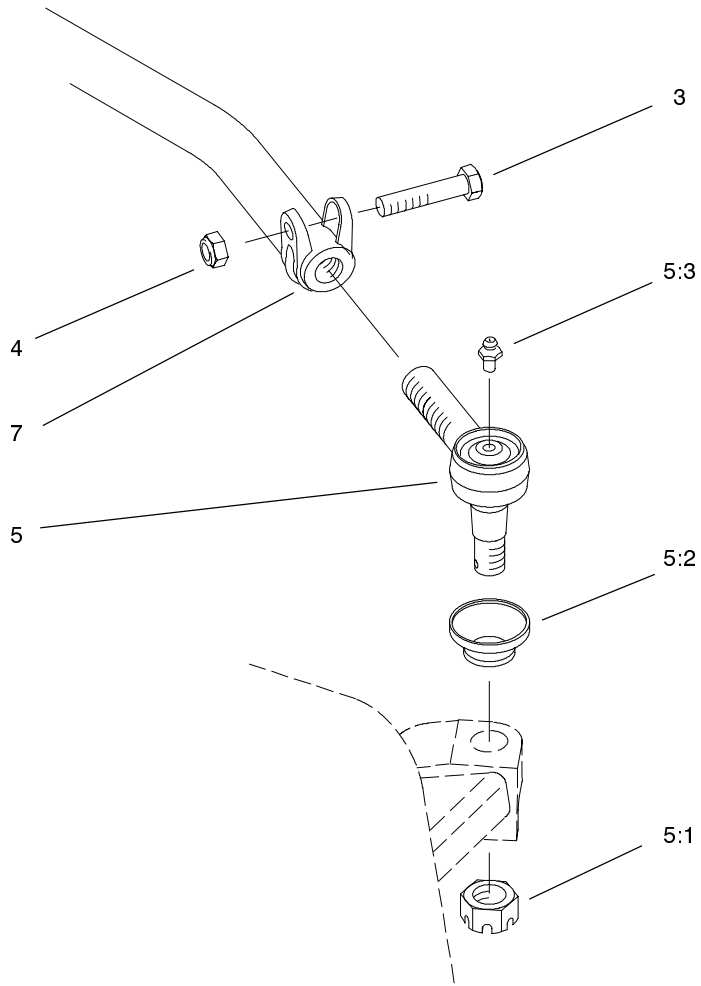
Sheet No.:20

2WD Rear Axle

Ref. No.	Part No.	Qty.	Description
2	104-0100-03	1	Rod-Tie
6	3272-11	4	Pin-Cotter
9	242-50	10	Nut - Lug (only on: 30301)
☆10		2	Tire & Wheel Assembly
10:1	95-2625	1	Tire
10:2	100-1357	1	Rim
10:3	232-27	1	Stem-Valve
19	93-5502	1	Steering Cylinder (only on: 30301)
20	92-5072-03	1	End-Rod, Ball Joint
22	33115-040	2	Screw-HH (only on: 30301)
23	33015-00	2	Nut-Hex (only on: 30301)
25	32136-13	1	Nut-Hex, Slotted
26	33026-00	6	Nut-Lock
27	33106-035	6	Screw-HHF
28	33108-035	1	Screw-HHF
29	3256-7	1	Washer-Flat
31	93-5142	1	Pin-Axle Pivot
32	302-2	1	Fitting-Grease
33	32121-110	1	Pin-Roll, Slotted
34	33006-00	2	Nut-Hex Flange (only on: 30301)

Ref. No.	Part No.	Qty.	Description
35	93-5983-03	3	Plate - Weight (only on: 30301)
36	33106-060	2	Screw-HHF (only on: 30301)
38	17-1089	1	Axle ASM (only on: 30301)
39	17-6019	1	Axle Pivot ASM
39:1	93-4510	2	Bushing-Castor
39:2	95-4411-03	1	Pivot-Axle

☆ Not serviced

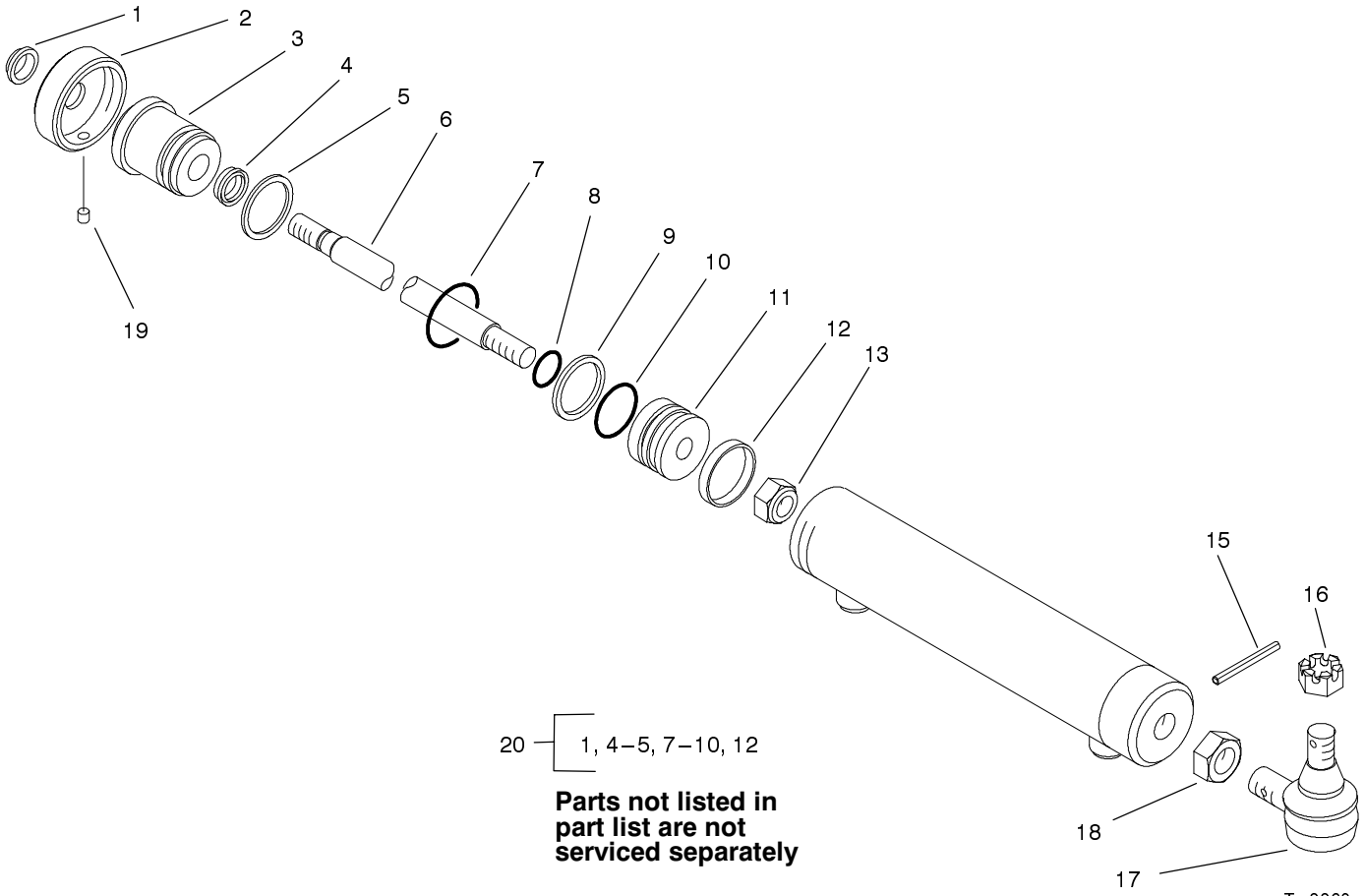


Sheet No.:A5
T-3701

Tie Rod Assembly No. 104-0100-03

Ref. No.	Part No.	Qty.	Description
3	323-9	2	Screw-HH
4	3296-39	2	Nut-Lock, NI
5	71-4740	2	End-Tie Rod
5:1	32136-13	1	Nut-Hex, Slotted
5:2	71-4760	1	Seal
5:3	302-55	1	Zerk
7	93-5169	1	Tube & Clamp ASM

Ref. No.	Part No.	Qty.	Description

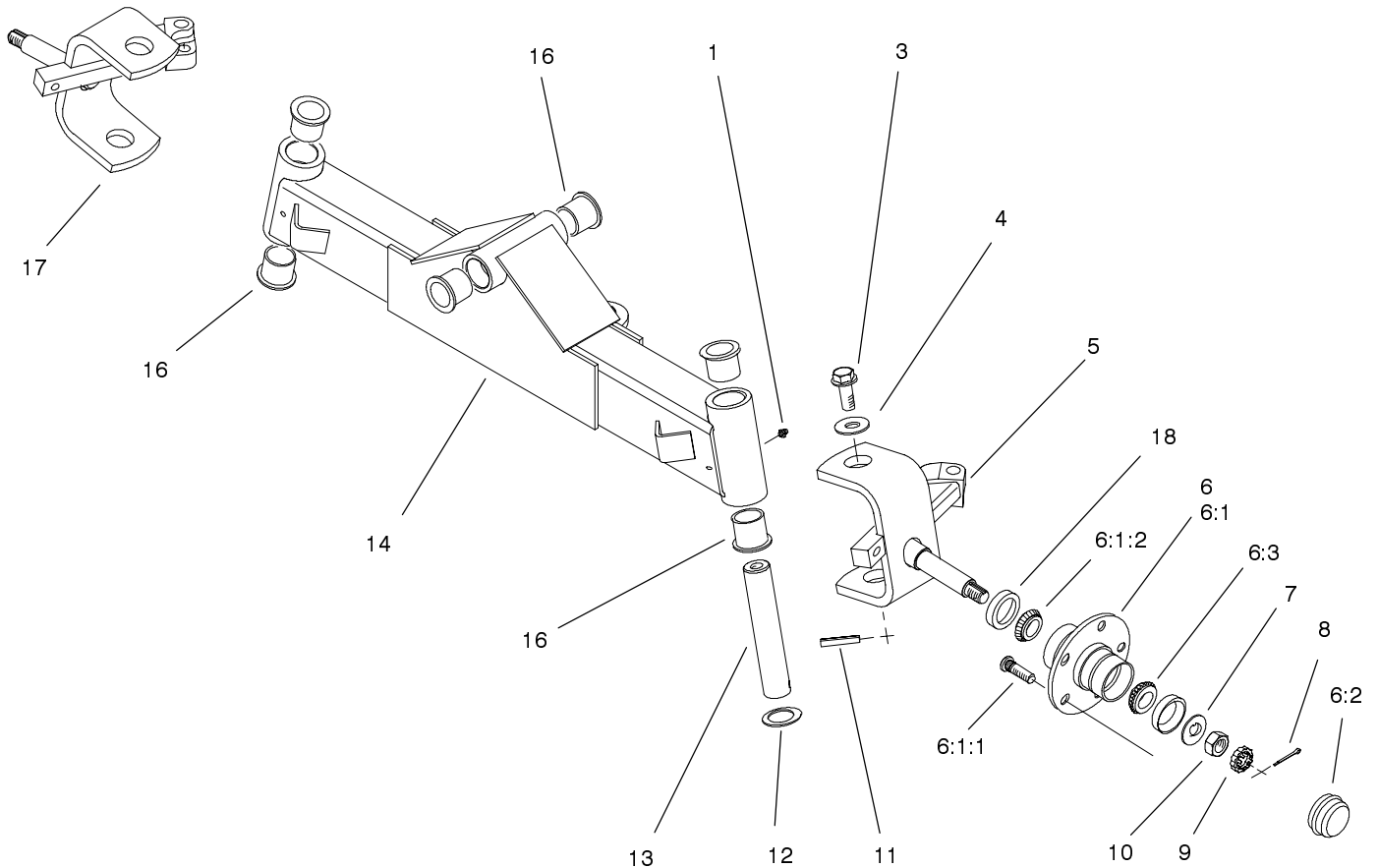


T-2260
Sheet No.:A6

Steering Cylinder ASM. No. 93-5502 (Model 30301 Only)

Ref. No.	Part No.	Qty.	Description
2	92-5705	1	Thread-Cap (only on: 30301)
3	92-5706	1	Thread-Cap Head (only on: 30301)
6	93-5555	1	Rod (only on: 30301)
11	92-5703	1	Piston (only on: 30301)
13	88-3590	1	Nut-Lock (only on: 30301)
15	32121-44	1	Pin - Roll (only on: 30301)
16	32136-13	1	Nut-Hex, Slotted (only on: 30301)
17	82-5730	1	End-Tie Rod (only on: 30301)
18	82-5740	1	Nut-Jam (only on: 30301)
19	92-5708	1	Screw-Thread Cap (only on: 30301)
20	92-5707	1	Seal Repair Kit (only on: 30301)

Ref. No.	Part No.	Qty.	Description

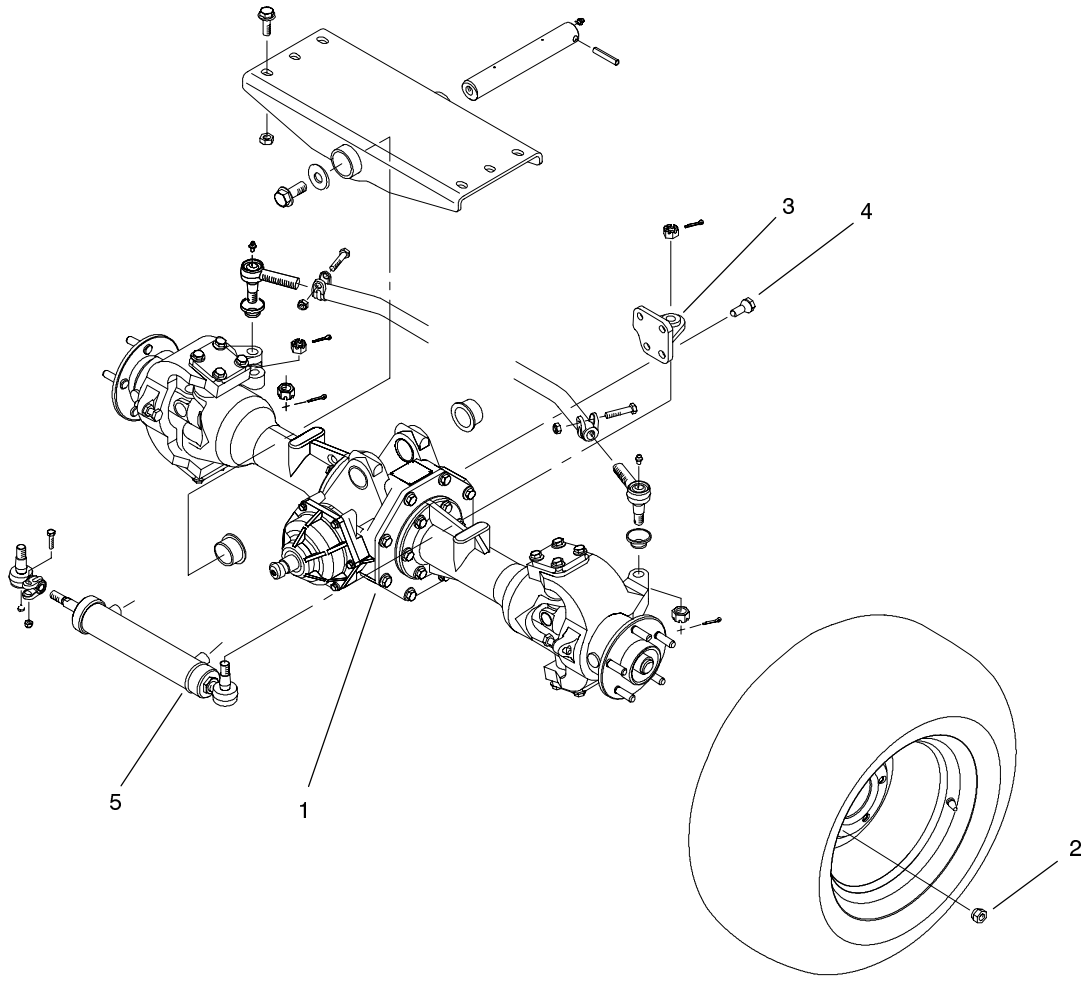


Sheet No.:A7

T-3702

Axle Assembly (Model 30301 Only)

Ref. No.	Part No.	Qty.	Description	Ref. No.	Part No.	Qty.	Description
1	302-5	2	Fitting-Grease (only on: 30301)	10	3220-7	2	Nut-Jam (only on: 30301)
3	33108-035	2	Screw-HHF (only on: 30301)	11	32121-110	2	Pin-Roll, Slotted (only on: 30301)
4	3256-7	4	Washer-Flat (only on: 30301)	12	62-2170	2	Washer-Thrust (only on: 30301)
5	95-2629-03	1	Spindle ASM, LH (only on: 30301)	13	93-5503	2	Pin - Spindle Pivot (only on: 30301)
6	95-2645	2	Hub ASM - Wheel (only on: 30301)	14	93-5121-03	1	Axle-Rear (only on: 30301)
6:1	21-2820	1	Hub ASM (only on: 30301)	16	69-6470	6	Bushing-Castor (only on: 30301)
6:1:1	10-6830	5	Stud-Type, Drive (only on: 30301)	17	95-2628-03	1	Spindle ASM, RH (only on: 30301)
6:1:2	254-72	2	Bearing-Taper/Cup (only on: 30301)	18	95-2647	2	Seal - Hub (only on: 30301)
6:2	241-119	1	Cap-Dust (only on: 30301)				
6:3	95-2646	2	Bearing Cone (only on: 30301)				
7	93-0309	2	Washer - Tab (only on: 30301)				
8	3272-13	2	Pin-Cotter (only on: 30301)				
9	93-0307	2	Nut Retainer-Lock (only on: 30301)				

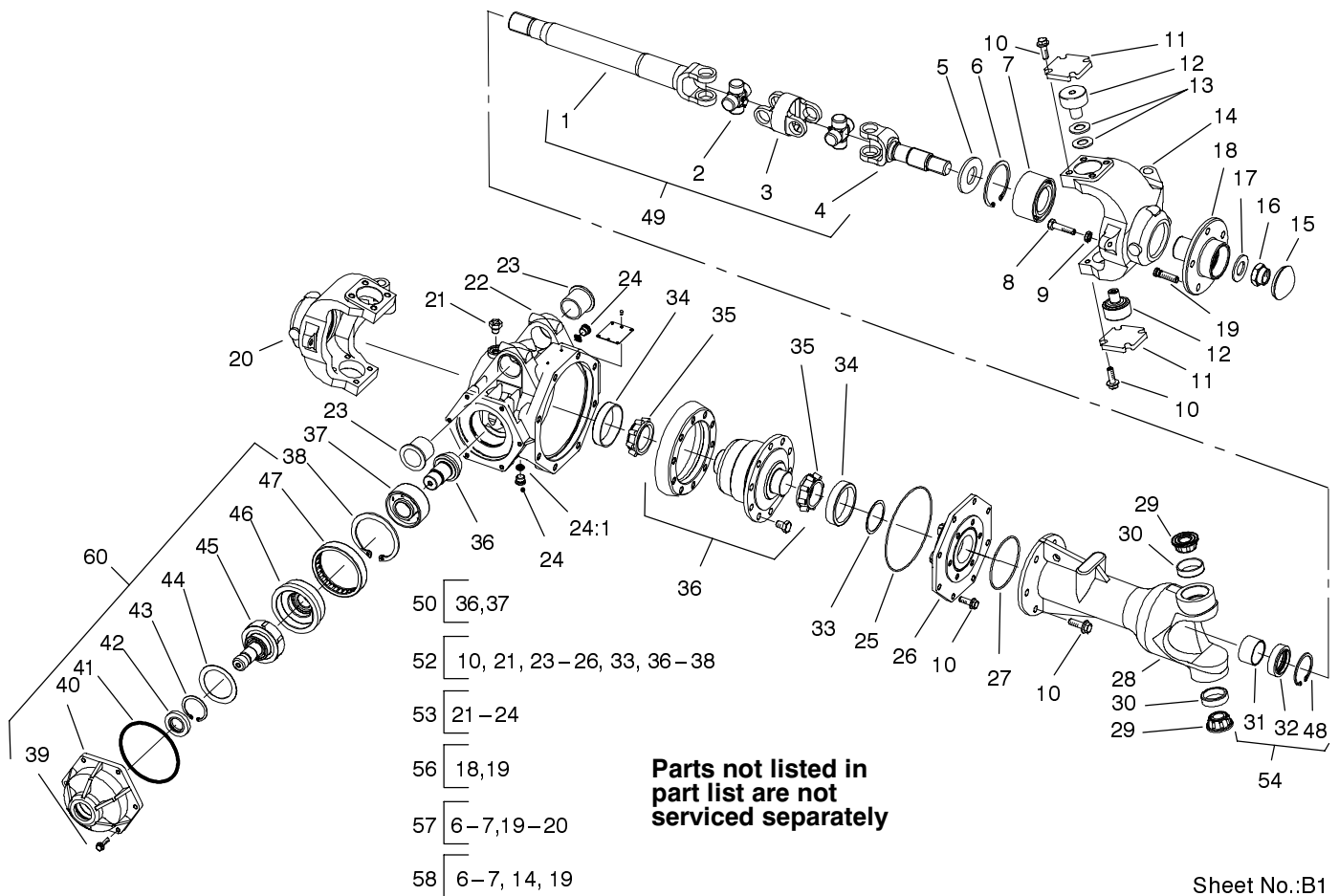


Sheet No.:21

4WD Rear Axle Assembly (Model 30302 Only)

Ref. No.	Part No.	Qty.	Description
1	95-2592	1	Axle - Rear, 4wd (only on: 30302)
2	93-5268	10	Nut-Lug (only on: 30302)
3	93-5436-03	1	Anchor-Cylinder (only on: 30302)
4	93-5444	4	Screw-Tapered (only on: 30302)
5	93-5962	1	Cylinder - Steering (only on: 30302)

Ref. No.	Part No.	Qty.	Description

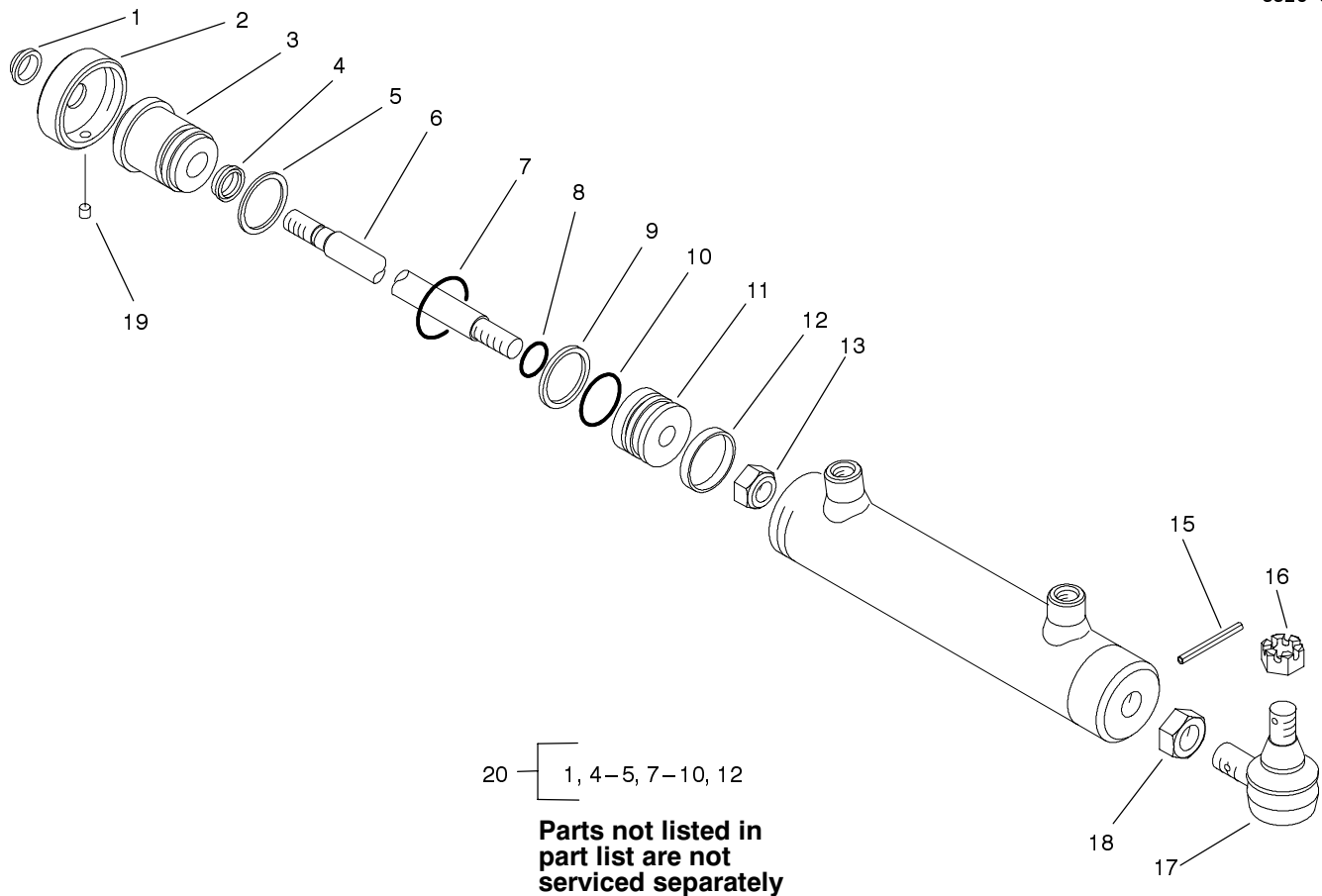


Sheet No.:B1
T-3703

4WD Rear Axle Assembly No. 95-2592 (Model 30302 Only)

Ref. No.	Part No.	Qty.	Description
1	95-0650	2	Yoke - Inboard Shaft
2	95-0651	4	Kit - Cross & Bearing
3	95-0652	2	Yoke - Double Pivot
4	95-0653	2	Yoke - Outboard Shaft
5	94-4037	2	Washer
6	93-5964	2	Ring - Retaining
7	94-4030	2	Wheel Bearing ASM
8	33105-050	2	Screw-HHF
9	33015-00	2	Nut-Hex
10	33105-030	36	Screw-HHF
11	94-4119	4	Cover - Kingpin
12	94-4121	4	Trunnion - Kingpin
13	94-4126	4	Washer-Spring
14	94-4116	1	Flange - Spindle, LH
15	95-0654	2	Cap - Dust
16	94-4079	2	Nut- Hex Lock
17	94-4034	2	Washer
19	94-4143	10	Stud - Wheel
20	94-4115	1	Flange - Spindle, RH
21	94-3998	1	Vent-Breather
23	69-6470	2	Bushing-Castor
24	353-989	2	Plug-Hex, Hollow
24:1	237-42	1	O-Ring
25	94-4129	1	O-Ring

Ref. No.	Part No.	Qty.	Description
26	94-4114	1	Cover - Side
27	94-4131	2	O-Ring
31	94-4127	2	Bearing - Journal
32	94-4128	2	Seal - Lip
33	94-9187	1	Kit-Differential
36	94-4120	1	Differential ASM
37	94-4130	1	Bearing-Ball
38	69-3200	1	Ring-Retaining
39	33103-025	6	Screw-HHF
40	94-4134	1	Housing - Clutch
41	94-4132	1	O-Ring
42	94-3925	1	Seal-Lip
43	94-4029	1	Ring-Retaining, Int.
44	94-4137	1	Washer - Thrust
45	95-2590	1	Clutch - Bidoc
46	94-4138	1	Race - Clutch
47	94-4136	1	Bearing - Needle
48	94-4133	2	Retaining Ring
49	94-4123	2	Joint - Universal
50	94-9185	1	ASM - Bevel Gear
51	94-9186	2	Kit-Differential Bearing
52	94-9188	1	ASM - Differential
53	94-9189	1	ASM - Differential



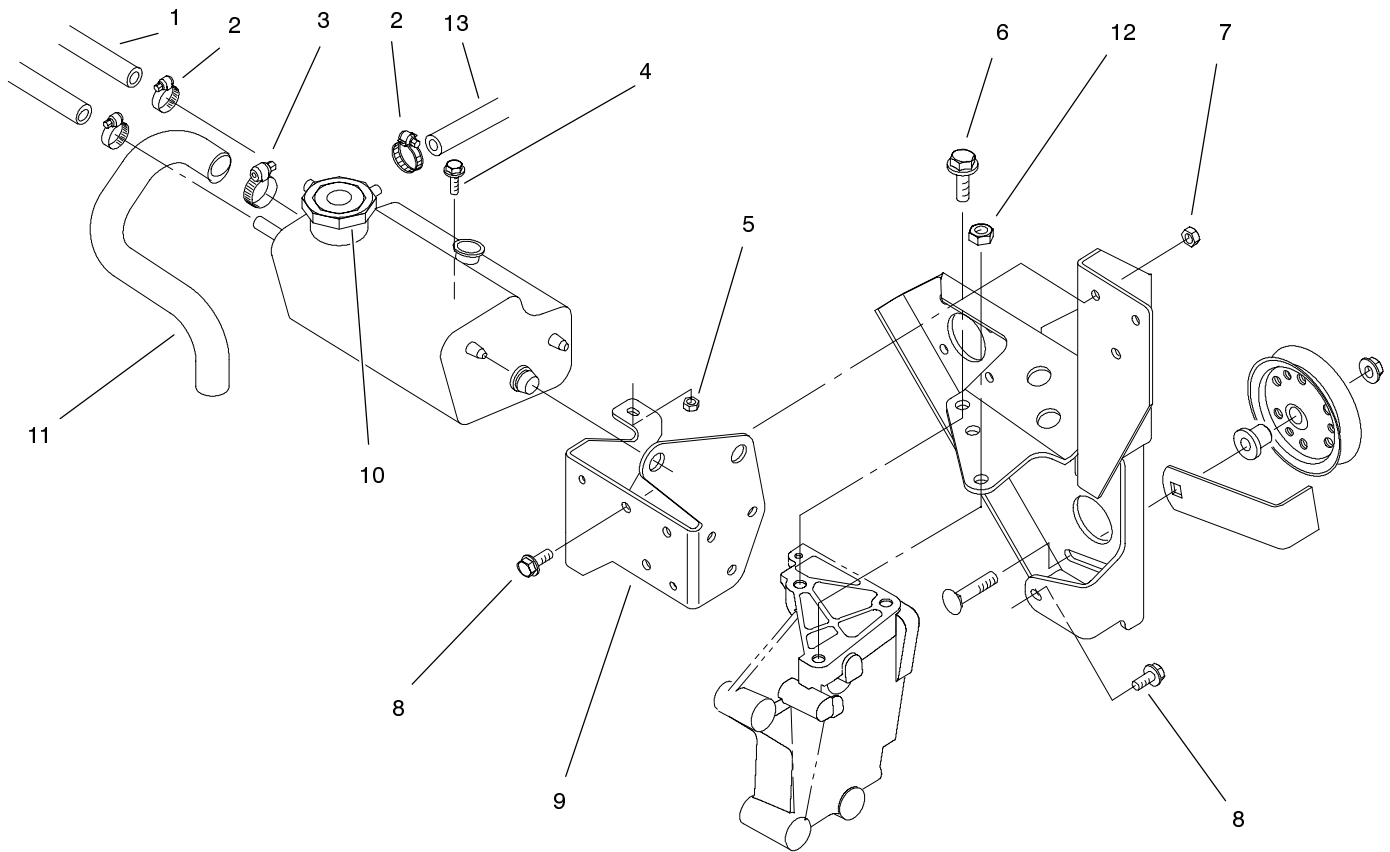
Sheet No.:B2

T-2432

Steering Cylinder ASM No. 93-5962 (Model 30302 Only)

Ref. No.	Part No.	Qty.	Description
2	92-5705	1	Thread-Cap (only on: 30302)
3	92-5706	1	Thread-Cap Head (only on: 30302)
6	93-5555	1	Rod (only on: 30302)
11	92-5703	1	Piston (only on: 30302)
13	88-3590	1	Nut-Lock (only on: 30302)
15	32121-44	1	Pin - Roll (only on: 30302)
16	32136-13	1	Nut-Hex, Slotted (only on: 30302)
17	82-5730	1	End-Tie Rod (only on: 30302)
18	82-5740	1	Nut-Jam (only on: 30302)
19	92-5708	1	Screw-Thread Cap (only on: 30302)
20	92-5707	1	Seal Repair Kit (only on: 30302)

Ref. No.	Part No.	Qty.	Description

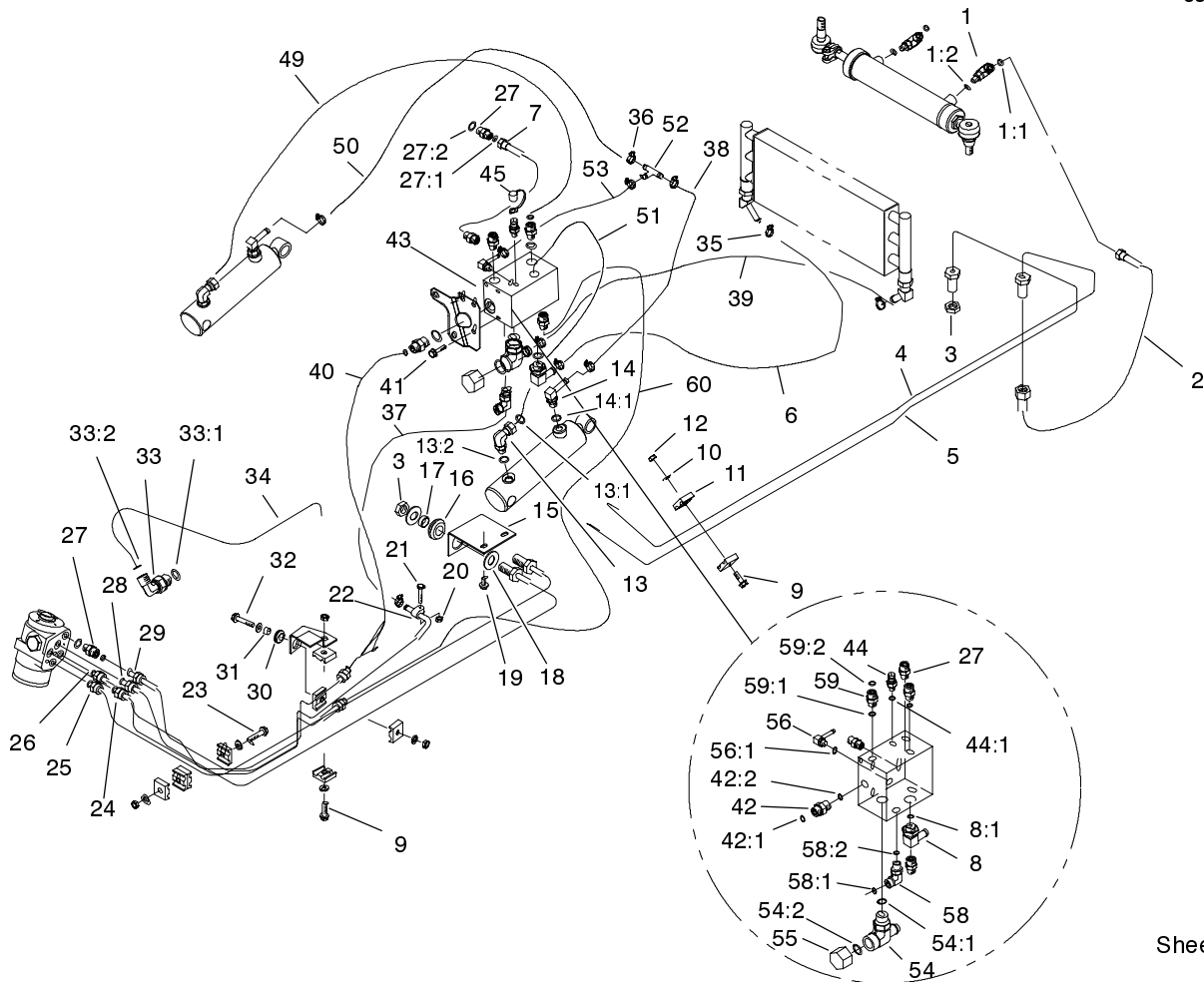


Sheet No.:22

Degasser Bottle and Mounting Assembly

Ref. No.	Part No.	Qty.	Description
1	93-5539	1	Hose - Peugeot
2	2412-36	3	Clamp-Hose (only on: 30302)
2	2412-36	4	Clamp-Hose (only on: 30301)
3	2412-141	2	Clamp-Drive, Worm
4	33103-020	1	Screw-HHF (only on: 30302)
5	33023-00	1	Nut-Lock
6	33105-020	1	Screw-HHF
7	33024-00	3	Nut-Lock
8	33104-020	1	Screw-HHF
9	93-5096-03	1	Bracket-Degasser
10	33104-020	3	Screw-HHF
11	93-5536	1	Hose - Degasser
12	33025-00	1	Nut-Lock

Ref. No.	Part No.	Qty.	Description

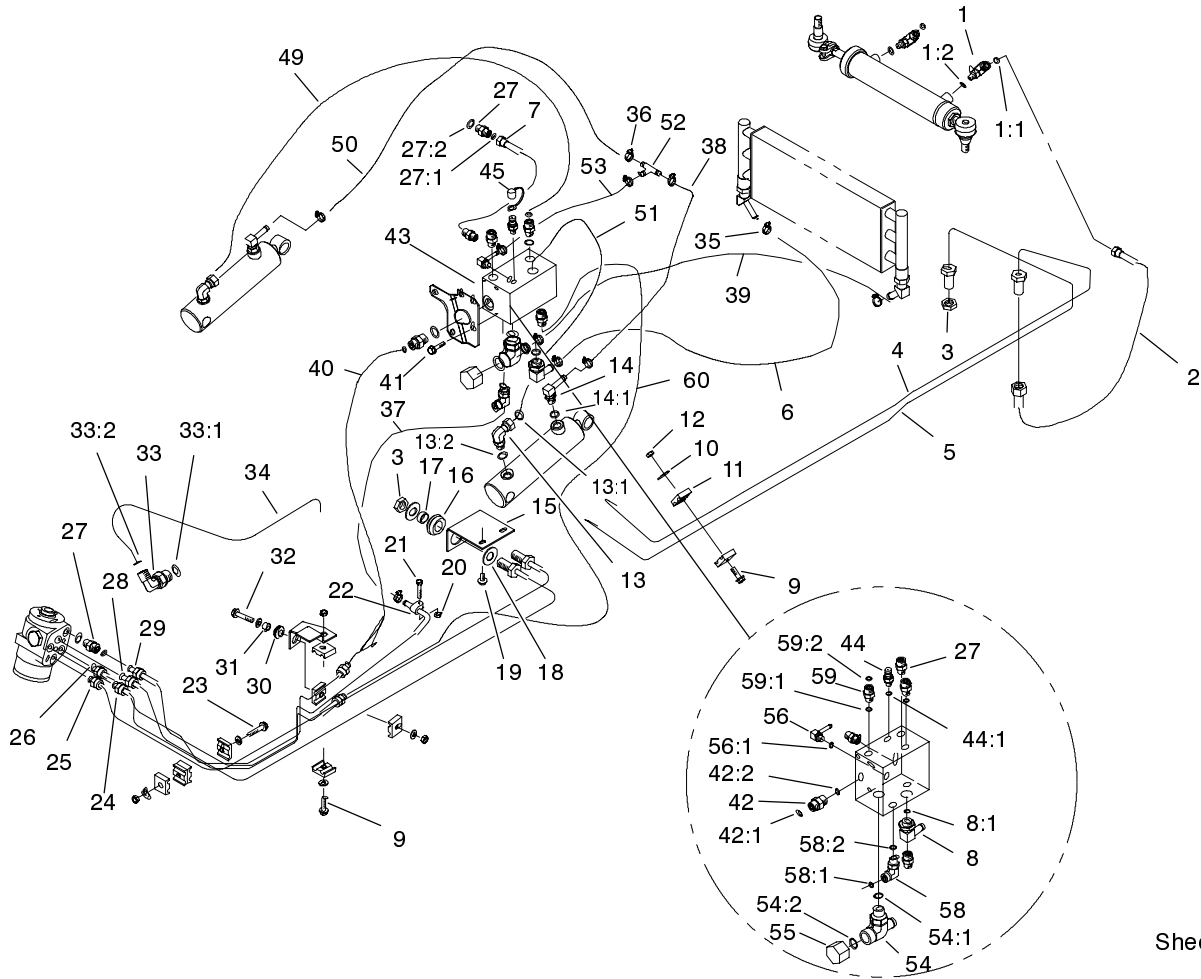


Sheet No.:25

Hydraulic Plumbing Assembly

Ref. No.	Part No.	Qty.	Description
1	340-97	2	Fitting-Hyd, 90
1:1	237-22	1	O-Ring
1:2	237-78	1	O-Ring
2	93-5353	2	Hose ASM
3	340-70	4	Locknut-Bulkhead
4	93-5571	1	Tube - Hydraulic
5	93-5572	1	Tube - Hydraulic
6	95-0954	1	Hose
7	95-0950	1	Hose ASM
8	354-128	1	Elbow-90 DEG
8:1	237-80	1	O-Ring
9	33104-035	2	Screw-HHF
10	3256-23	6	Washer-Flat
11	56-7973	10	Clamp-Tube
12	33024-00	4	Nut-Lock
13	340-77	2	Fitting-90 DEG
13:1	237-22	1	O-Ring
13:2	237-42	1	O-Ring
14	354-135	2	Fitting-Hyd 90 DEG
14:1	237-42	1	O-Ring
15	93-5587-03	1	Bracket - Bulkhead
16	240-4	2	Grommet-Rubber
17	69-8970	2	Spacer
18	69-8940	4	Washer
19	33104-016	2	Screw-HHF
20	33023-00	1	Nut-Lock

Ref. No.	Part No.	Qty.	Description
21	33113-035	1	Screw-HH
22	2412-114	1	Clamp-Single
23	33114-060	1	Screw-HH
24	93-5574	1	Tube - Hydraulic
25	93-5576	1	Tube - Hydraulic
26	93-5575	1	Tube - Hydraulic
27	340-2	10	Adapter
27:1	237-22	3	O-Ring
27:2	237-42	3	O-Ring
28	93-5577	1	Tube - Hydraulic
29	93-5573	1	Tube - Hydraulic
30	93-5108	1	Grommet - Rubber
31	93-5109	1	Spacer
32	33104-040	1	Screw-HHF
33	340-105	1	Fitting-90 DEG
33:1	237-80	1	O-Ring
33:2	237-30	1	O-Ring
34	95-0975	1	Tube - Hyd
35	2412-141	4	Clamp-Drive, Worm
36	2412-36	6	Clamp-Hose (only on: 30302)
36	2412-36	7	Clamp-Hose (only on: 30301)
37	95-0952	1	Hose
38	93-5358	1	Hose ASM
39	95-0955	1	Hose



Sheet No.:25

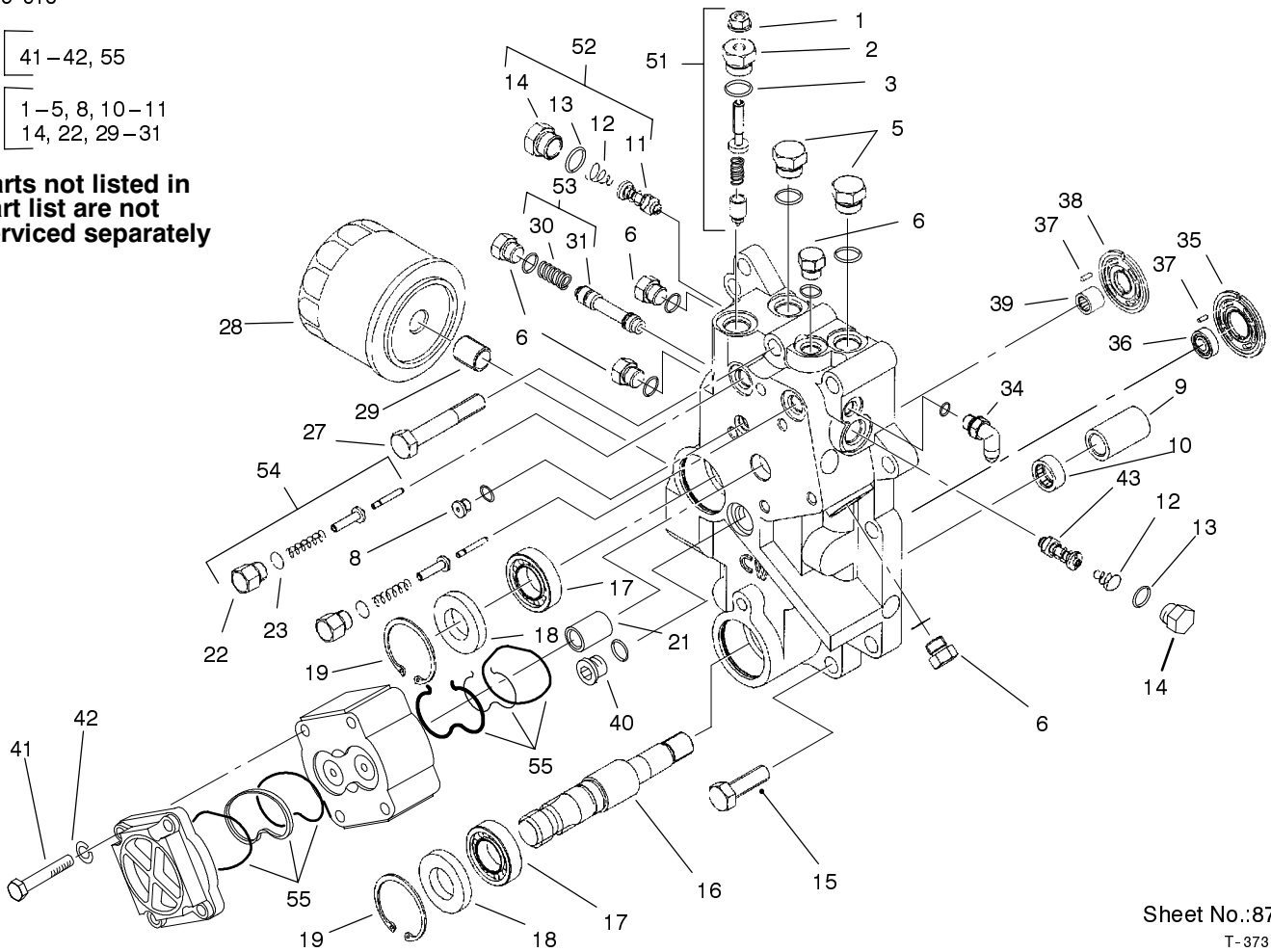
Hydraulic Plumbing Assembly (Continued)

Ref. No.	Part No.	Qty.	Description
40	93-5346	1	Hose ASM
41	33104-025	3	Screw-HHF
42	340-2	1	Adapter
42:1	237-22	1	O-Ring
42:2	237-42	1	O-Ring
43	94-9291	1	Manifold - Hyd
44	354-77	1	Fitting-Quick
44:1	237-78	1	O-Ring
45	353-947	1	Cap-Dust, Rubber
49	93-5386	1	Hose ASM
50	93-5357	1	Hose ASM
51	93-5385	1	Hose ASM
52	354-107	1	Fitting-Hydraulic, Tee
53	95-0953	1	Hose
54	94-9295	1	Fitting - Special
54:1	237-80	1	O-Ring
54:2	237-58	1	O-Ring
55	95-0979	1	Fitting - Straight
56	354-135	1	Fitting-Hyd 90 DEG
56:1	237-42	1	O-Ring
58	340-77	1	Fitting-90 DEG
58:1	237-22	1	O-Ring
58:2	237-42	1	O-Ring
59	340-5	1	Fitting-Straight
59:1	237-42	1	O-Ring

Ref. No.	Part No.	Qty.	Description
59:2	237-30	1	O-Ring
60	95-0951	1	Hose ASM

- 20 [41-42, 55
- 50 [1-5, 8, 10-11
- 14, 22, 29-31

Parts not listed in part list are not serviced separately



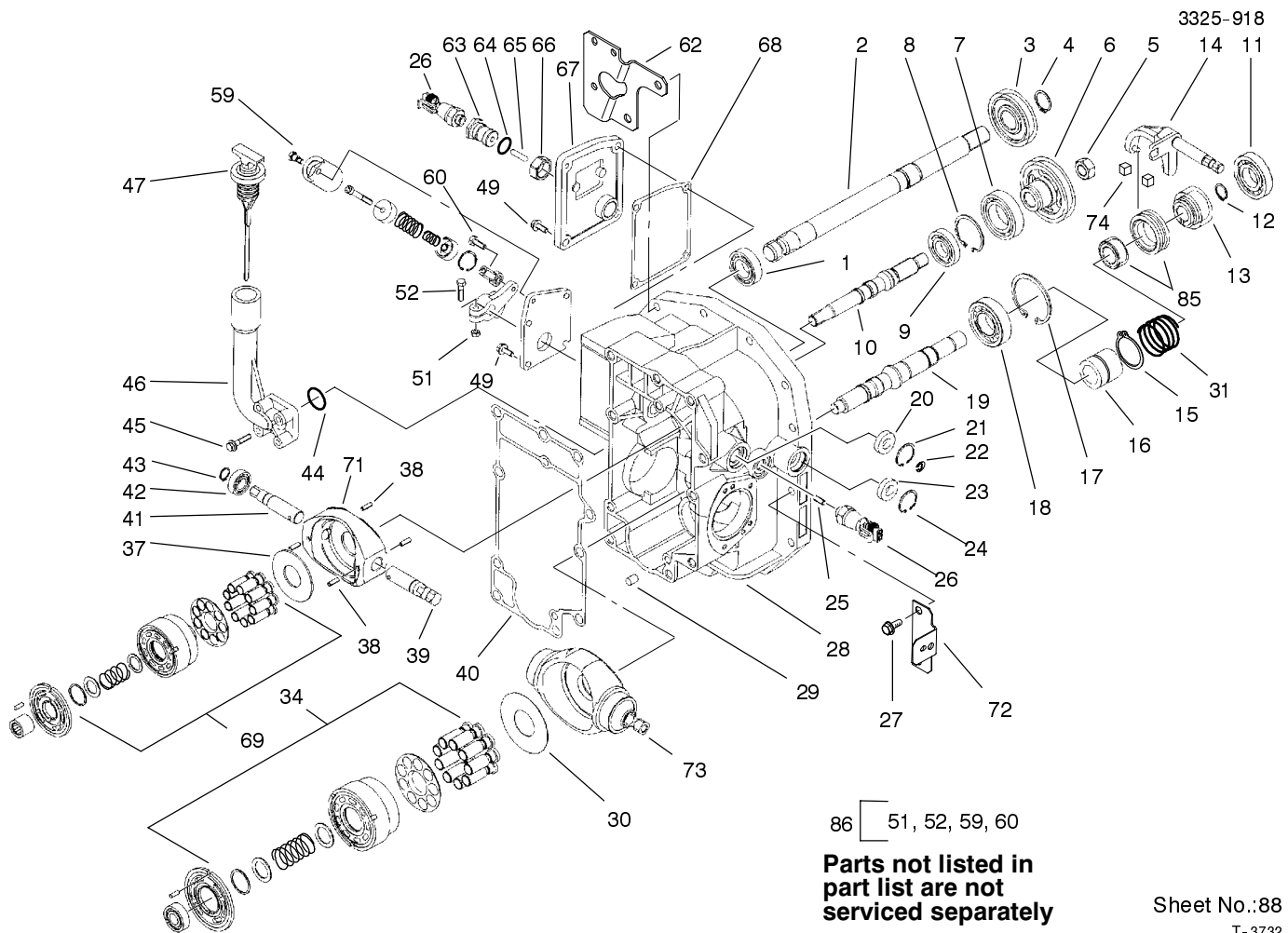
Sheet No.:87
T-3731

Front Axle Center Section Assembly No. 95-2630

Ref. No.	Part No.	Qty.	Description
1	94-4017	1	Nut
2	94-3990	1	Plug - Implement, Relief
3	75-0240	1	O-Ring
5	28-3440	2	Plug-Threaded
6	69-3940	5	Plug-Threaded, Straight
8	75-0170	2	Plug-Thread, Straight
9	94-4023	1	Coupling - 4wd
10	94-4021	1	Bearing
11	94-3979	2	Valve
12	75-0140	2	Spring-Conical
13	75-0240	2	O-Ring
14	75-0190	2	Plug-Special
15	94-4020	8	Screw
16	94-4022	1	Shaft - 4wd
17	94-3942	2	Bearing-Ball
18	94-3925	2	Seal-Lip
19	94-4029	2	Ring-Retaining Int.
20	94-3968	1	Pump-Gear
21	94-3922	1	Coupling-Gear Pump
22	94-3986	2	Plug-HH
23	94-3987	2	O-Ring
27	94-3999	2	Screw
28	94-3951	1	Filter
29	25-2660	1	Filter Union

Ref. No.	Part No.	Qty.	Description
30	94-3917	1	Spring - Helical Comp
31	94-3916	1	Spool
34	94-4075	1	Elbow
35	94-3921	1	Plate-Valve
36	94-3956	1	Bearing-Ball
37	94-3974	2	Pin
38	94-3973	1	Plate-Valve
39	94-3957	1	Bearing - Needle
40	94-9172	1	Plug
41	94-9182	1	Screw
42	94-9183	1	Washer
43	84-0540	1	Valve
50	95-7033	1	Center Section ASM
51	94-9168	1	Relief Valve ASM
52	94-9169	1	Kit-Valve
53	94-9170	1	Kit-Pressure Valve
53:3	94-3916	1	Spool
54	94-9171	1	Valve-Easy Ride
55	94-9184	1	Gear Pump Seal Kit
*99	93-5971	1	Kit - Seal Overhaul

* Not illustrated

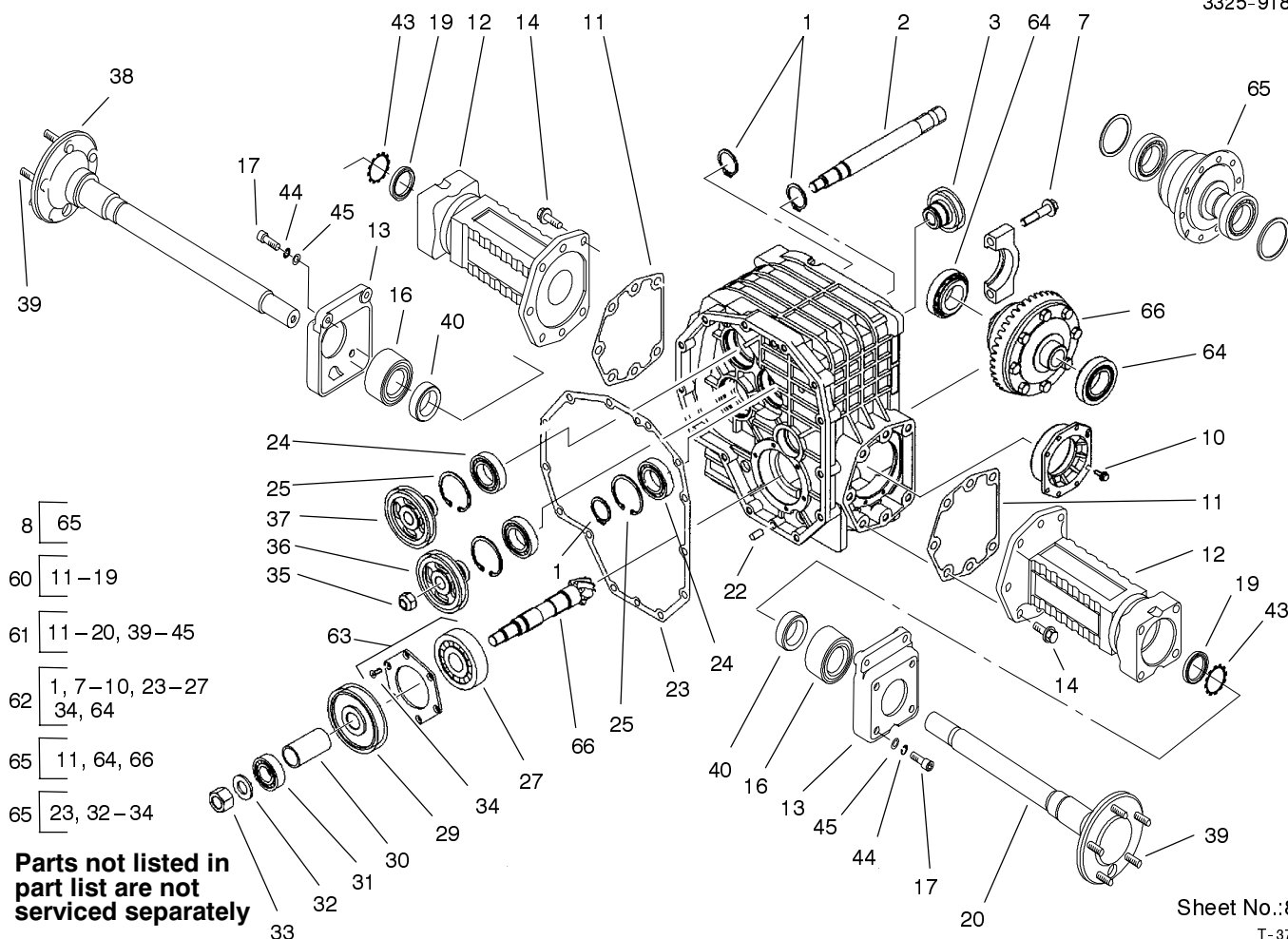


Sheet No.:88
T-3732

Hydraulic Housing Assembly No. 95-2630

Ref. No.	Part No.	Qty.	Description
1	94-3942	1	Bearing-Ball
2	94-3901	1	Shaft-Input
3	94-3903	1	Pinion-Pump Drive
4	94-3994	1	Ring - Retaining
5	94-3953	1	Nut-Hex
6	94-3905	1	Gear-Pump Drive
7	94-3971	1	Bearing-Ball
8	94-4029	1	Ring-Retaining Int.
9	94-3960	1	Bearing - Ball
10	94-3904	1	Shaft - Pump
11	28-3650	1	Bearing-Ball
12	94-3963	1	Ring-Retaining, Ext
13	94-3919	1	Pinion-Final
14	95-7875	1	Yoke-2 Speed
15	95-2729	1	Ring - Retaining
16	95-2728	1	Spacer-Final Drive
17	94-3997	3	Ring-Retaining
18	84-0310	1	Bearing - Ball
19	94-3906	1	Shaft-Motor
20	25-3210	1	Seal-Lip
21	25-2510	1	Washer-Flat
22	94-3945	1	Ring-Retaining
23	94-3939	1	Seal-Lip
24	94-3962	1	Ring-Retaining
25	94-4028	1	Roller-Needle
26	95-7034	2	Switch - Netural

Ref. No.	Part No.	Qty.	Description
27	94-4004	23	Screw-Hex Flange
28	95-7038	1	Housing-Hyd, Variable
29	94-3975	6	Pin
30	75-0400	1	Plate-Thrust
31	95-2730	1	Spring
34	75-0470	1	Kit-Block, Cylinder
37	94-3978	1	Plate-Thrust
38	28-3620	4	Pin-Spring, Coil
39	94-3946	1	Shaft-Trunnion
40	94-3992	1	Gasket - Center Section
41	94-3934	1	Shaft-Trunnion
42	94-4040	1	Bearing-Ball
43	94-3932	1	Ring-Retaining
44	94-4051	1	O-Ring
45	94-4050	4	Screw-Hex Flange
46	94-4048	1	Housing-Dipstick
47	94-4049	1	Dipstick
49	94-4002	8	Screw-Hex Flange
51	94-3936	1	Nut-Hex Lock
52	94-3940	1	Screw-HH
59	94-3928	1	Screw-HH
60	94-3927	1	Screw-HH
62	94-9282	1	Bracket-Counter Balance
63	94-4045	1	Adjuster-Threaded

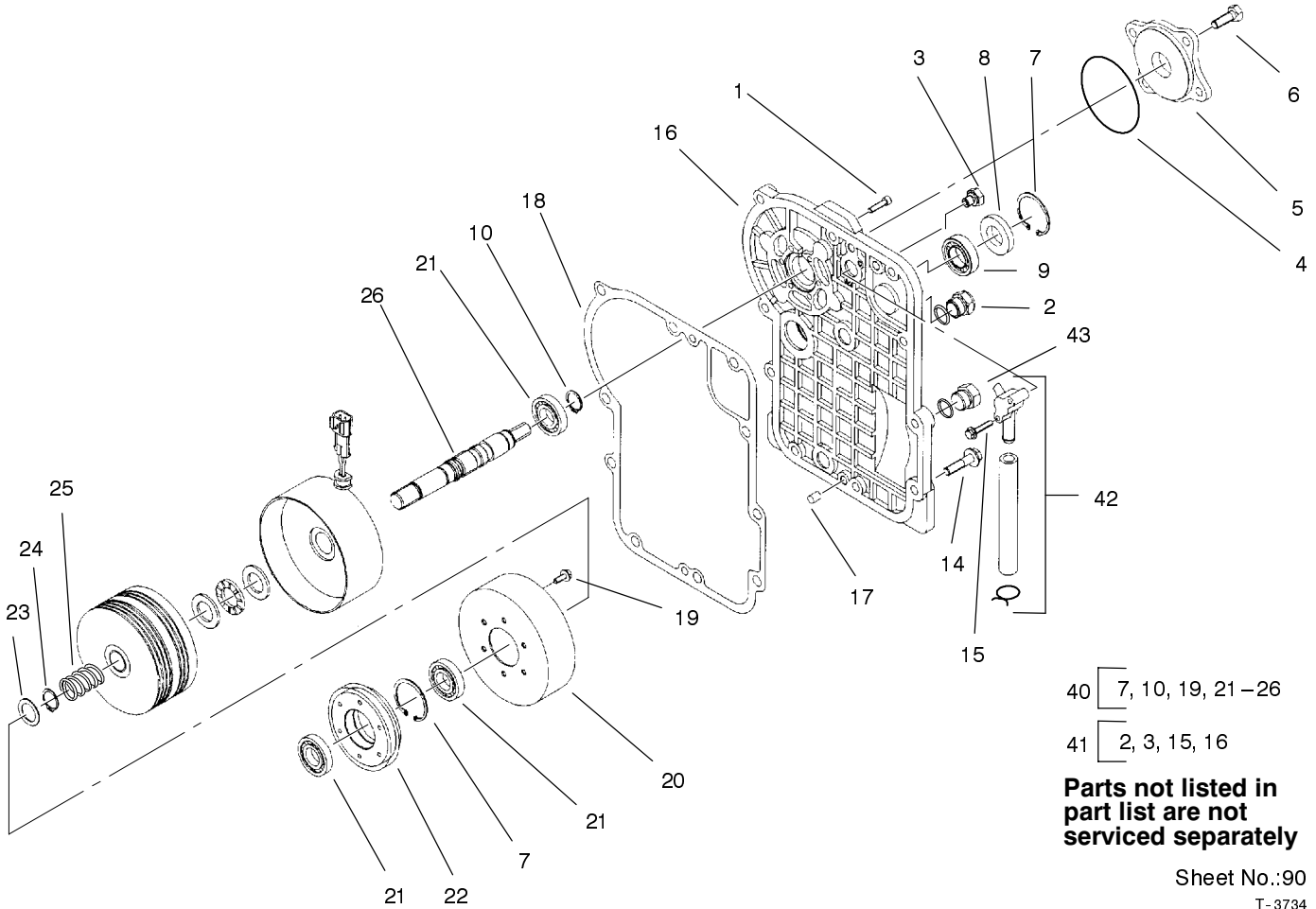


Hydraulic Housing Assembly-Control No. 95-2630

Ref. No.	Part No.	Qty.	Description
1	69-3170	3	Retaining Ring
2	94-3913	1	Shaft-Front, PTO
3	94-4052	1	Pinion-PTO Clutch
7	94-4003	2	Screw-Hex Flange
8	99-5780	1	Differential ASM W/Ring & Pinion
10	100-1356	6	Screw-Hex Flange
11	94-4015	2	Gasket-Axle Housing
12	95-2631	2	Housing-Axle
13	95-2632	2	Bracket-Brake Mounting
14	94-4007	14	Screw-Hex Flange
16	94-4030	2	Wheel Bearing ASM
17	94-4036	8	Screw
19	94-4032	2	Seal - Lip
20	94-4035	1	Shaft-Axle
22	94-3975	6	Pin
23	94-3959	1	Gasket-Housing
24	94-3971	3	Bearing-Ball
25	94-3997	3	Ring-Retaining
27	94-3961	1	Bearing-Ball
29	94-3912	1	Gear-Final Drive
30	94-3958	1	Spacer-Pinion
31	75-0520	1	Bearing-Ball
32	99-5784	1	Washer
33	99-5783	1	Nut-Hex Lock

Ref. No.	Part No.	Qty.	Description
34	98-1812	6	Screw
35	94-3953	1	Nut-Hex
36	94-3914	1	Shaft-PTO Drive
37	94-3909	1	Pinion-PTO Drive
38	94-4031	1	Shaft-Axle
39	94-4143	10	Stud - Wheel
40	94-4144	2	Collar - Bearing
43	94-4142	2	Ring - Retaining
44	3253-7	8	Washer-Lock
45	3256-6	8	Washer-Flat
60	95-2634	1	Axle ASM - LH
61	95-2633	1	RH Axle ASM
62	99-5777	1	Gear Housing ASM
63	94-9178	1	Bearing-Pinion Head
64	93-5966	2	Kit-Bearing
65	99-5781	1	Kit-Differential ASM
66	99-5782	1	Kit-Ring & Pinion ASM
*99	93-5971	1	Kit - Seal Overhaul

* Not illustrated



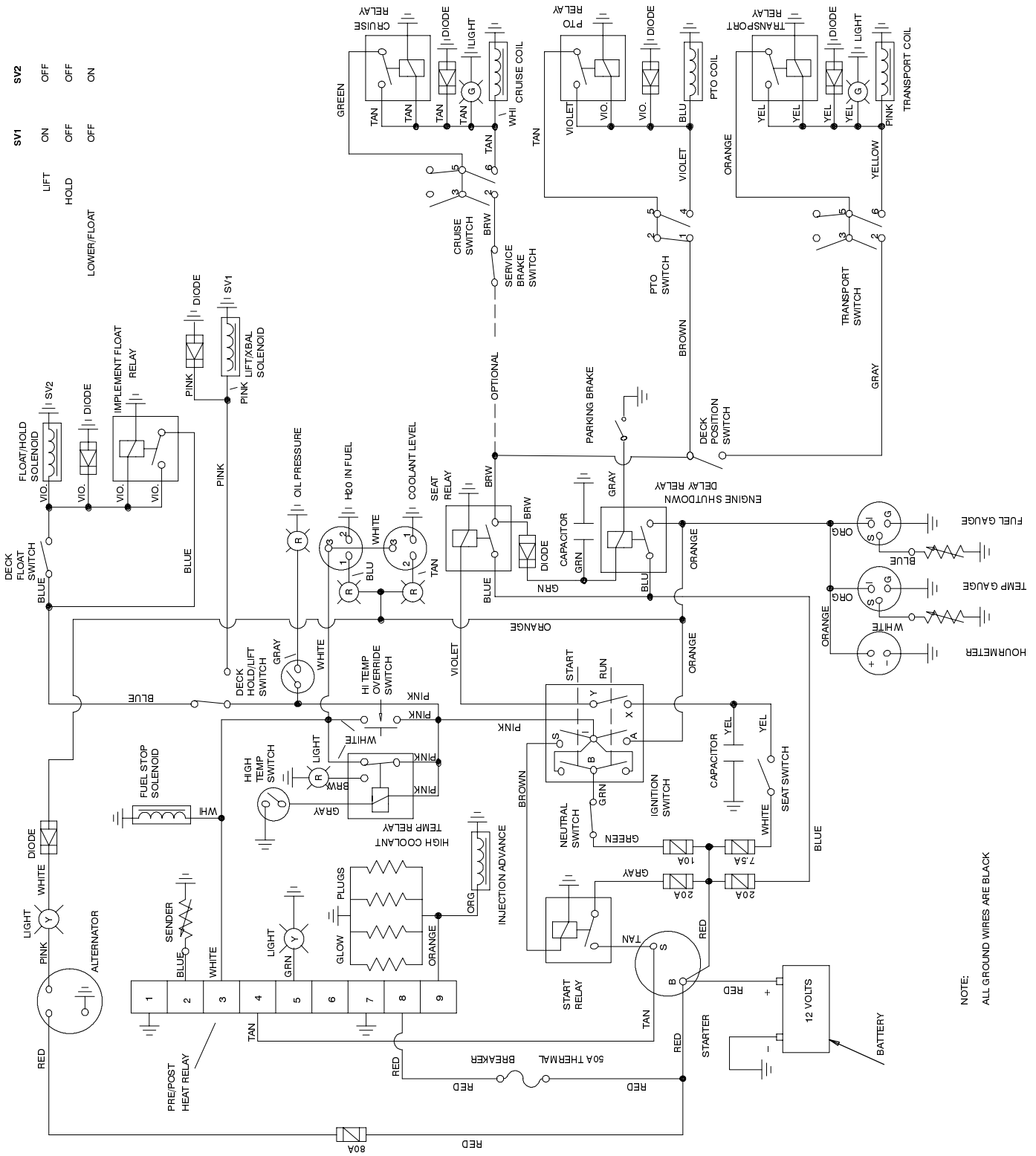
Front Axle Gear Housing Assembly No. 95-2630

Ref. No.	Part No.	Qty.	Description
1	94-4009	6	Screw
2	67-8030	2	Plug Assembly
3	94-3998	1	Vent-Breather
4	94-4011	1	O-Ring
5	94-4010	1	Cover - Gerotor
6	94-4008	4	Screw
7	94-4029	2	Ring-Retaining Int.
8	94-3925	1	Seal-Lip
9	94-3942	1	Bearing-Ball
10	94-3996	1	Ring-Retaining
14	94-4004	23	Screw-Hex Flange
15	95-7037	2	Screw
16	94-3991	1	Cover-Front
17	94-3975	6	Pin
18	94-4001	1	Gasket-Front Cover
19	94-4026	6	Screw-Hex Flange
21	94-3960	3	Bearing - Ball
22	94-4053	1	Gear-PTO Clutch
23	94-3995	1	Washer
24	94-4006	1	Ring - Retaining
25	94-4005	1	Screw-Helical
26	94-3910	1	Shaft - Clutch
40	94-9179	1	Clutch ASM
41	94-9180	1	Front Cover ASM
42	94-9181	1	Lub Nozzle ASM

Ref. No.	Part No.	Qty.	Description
43	104-0112	1	Plug - Magnetic
*99	93-5971	1	Kit - Seal Overhaul

* Not illustrated

Electrical Schematic

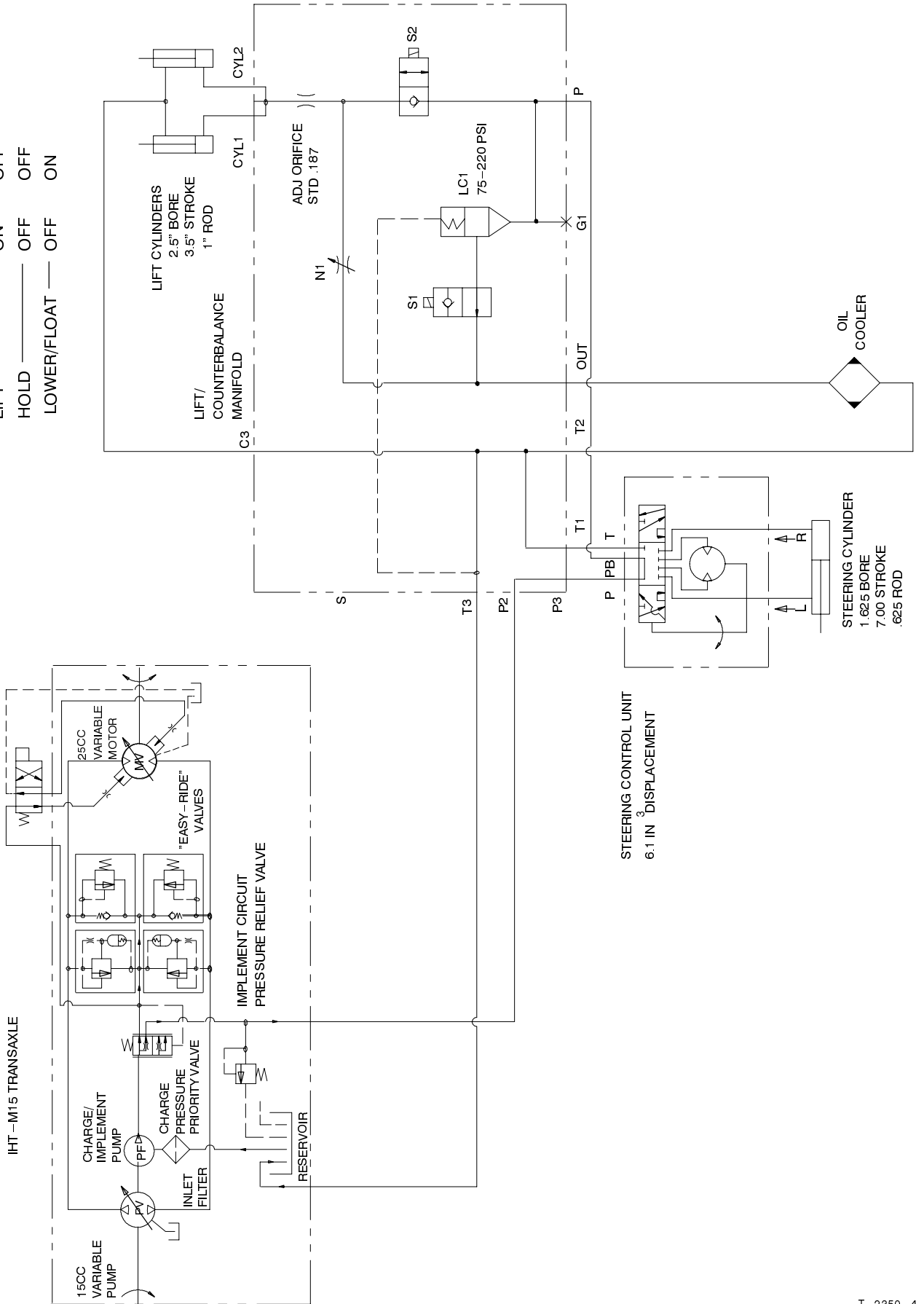


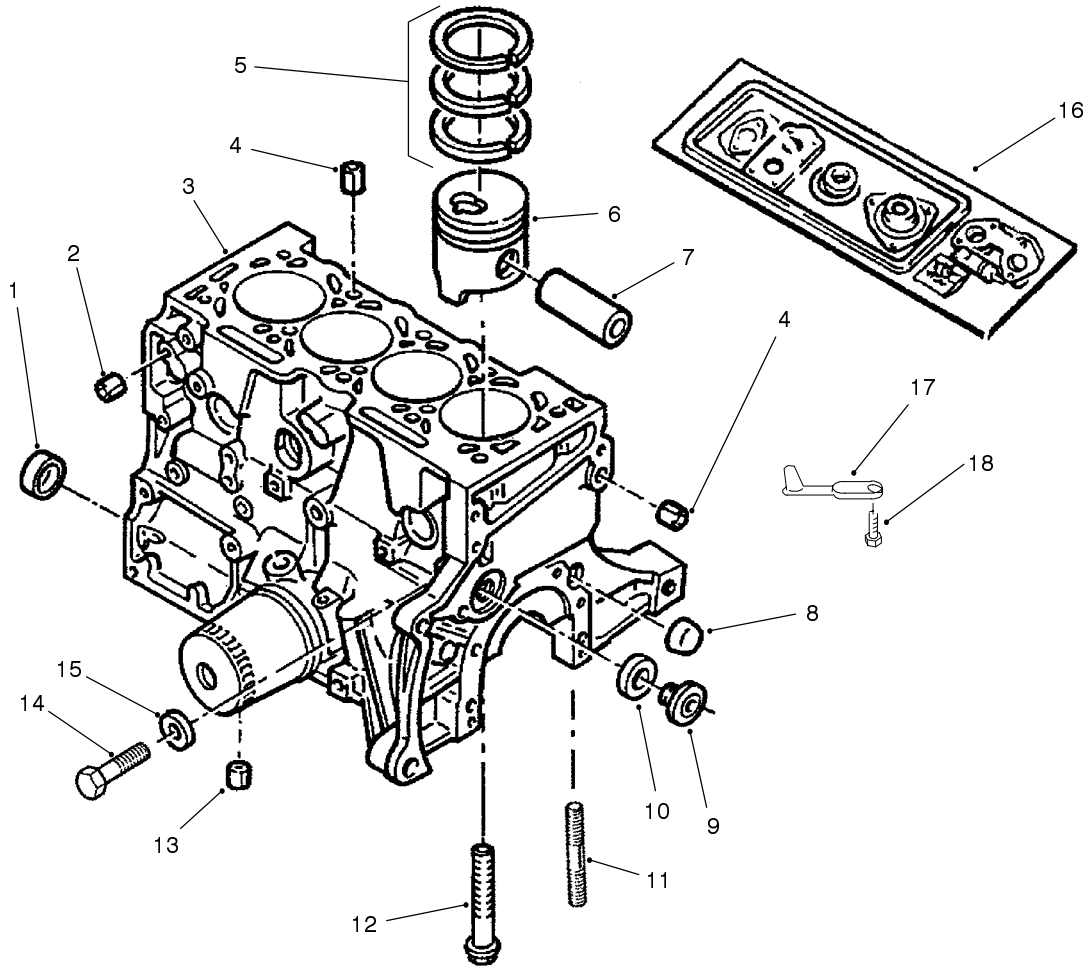
NOTE:
ALL GROUND WIRES ARE BLACK

Hydraulic Schematic

LIFT/LOWER CONTROL SOLENOIDS

LIFT	_____	S1	S2
HOLD	_____	OFF	OFF
LOWER/FLOAT	_____	OFF	ON





T-2277

Cylinder Block Assembly

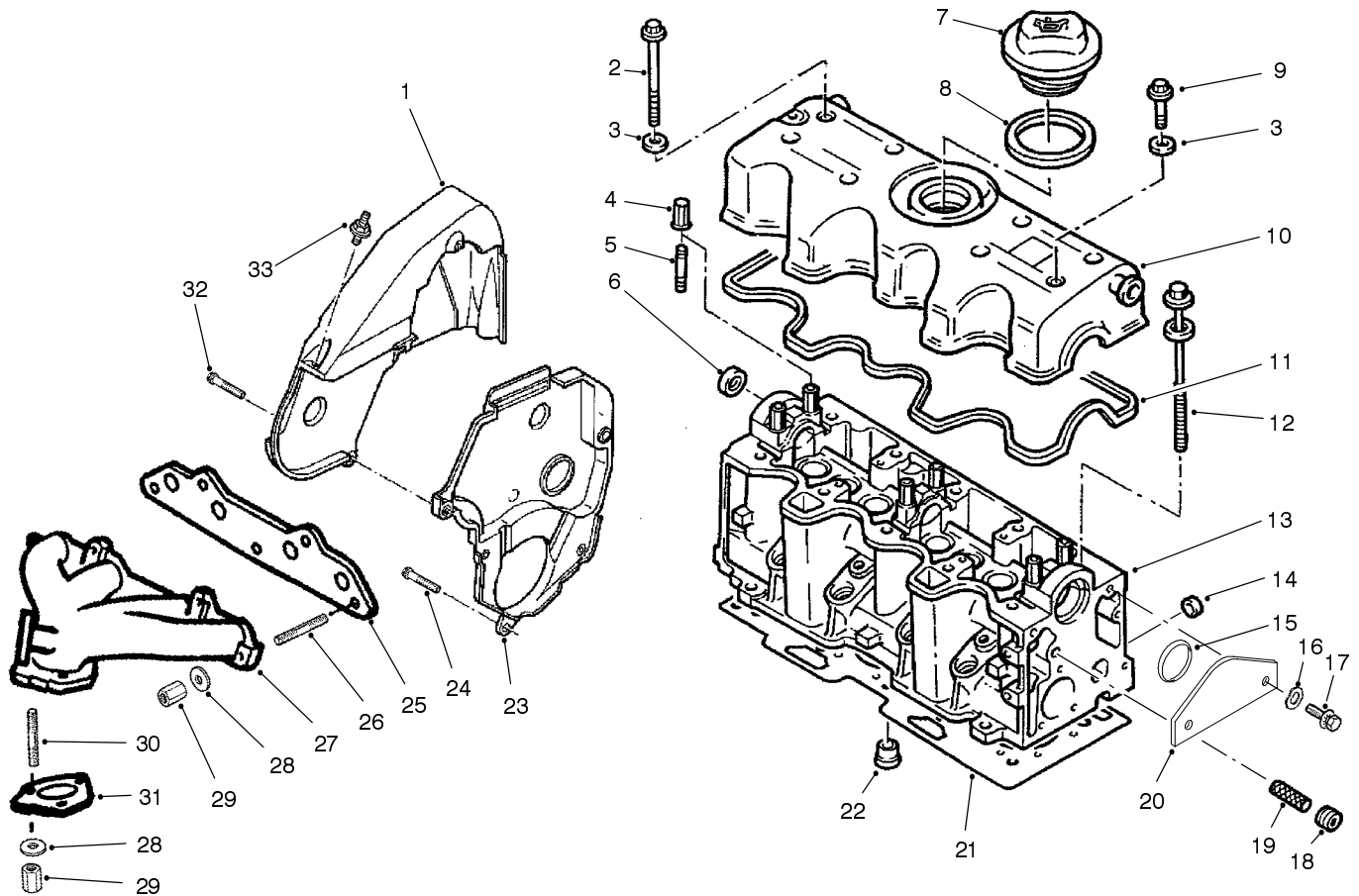
Ref. No.	Part No.	Qty.	Description	Ref. No.	Part No.	Qty.	Description
1	74-7840	7	Plug				
2	93-5659	2	Pin (Dowel-Ring)				
3	93-5965	1	Cylinder Block ASM (Incl. Ref. #9, 10, 14, 15, 17 & 18)				
4	76-5690	4	Pin (Dowel-Ring)				
5	93-5714	1	Set-Ring, Piston (77mm Dia.) (Set of 3)				
†6		4	Piston				
†7		4	Pin-Wrist				
8	93-5656	1	Plug				
9	94-3121	2	Plug-Threaded				
10	93-5653	2	Seal-Plug				
11	93-5660	3	Stud				
12	93-5657	10	Screw				
13	93-5658	1	Pin (Dowel)				
14	100-1389	1	Plug-Drain				
15	95-3026	1	Gasket-14mm Dia.				
16	93-5652	1	Set-Gasket, Engine				
■17	100-1358	4	Jet-Oil				
▲17	100-1359	4	Jet-Oil				
■18	93-5704	4	Screw				
▲18	93-5680	4	Screw				
*	93-5650	1	Engine-Stripped				

*Not Illustrated

■ For Engine Serial Numbers 600505 & Up.

† Not Serviced Separately

▲ For Engine Serial Numbers 600504 & Down.

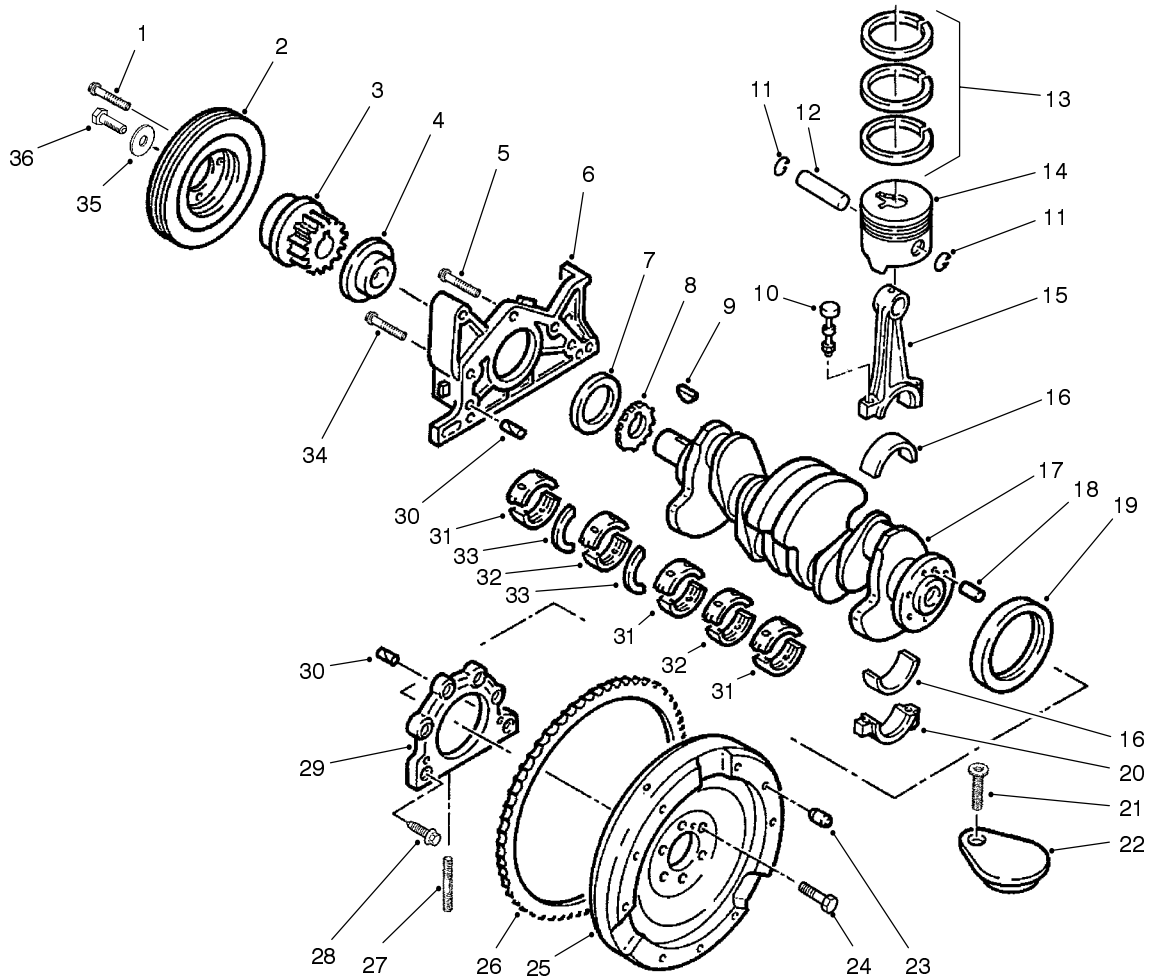


T-2278

Cylinder Head Assembly

Ref. No.	Part No.	Qty.	Description	Ref. No.	Part No.	Qty.	Description
1	95-7475	1	Cover-Upper	25	93-5894	1	Gasket
2	93-5672	4	Screw	26	93-5895	5	Stud
3	93-5667	8	Gasket	27	93-5893	1	Manifold-Exhaust
4	93-5674	6	Nut	28	93-5897	8	Washer-Plate
5	94-3162	6	Stud	29	93-5896	8	Nut-Hex
6	74-7840	2	Plug	30	93-5898	3	Stud
7	93-5668	1	Oil Cap Filler ASM (Incl. Ref. #8)	31	93-5892	1	Gasket-Pipe
8	93-5666	1	Gasket	32	95-7479	1	Screw
9	93-5673	4	Screw	33	95-7478	1	Screw
10	93-5662	1	Cover (Incl. Ref. #11)	*	93-5664	1	Set-Gasket, Cylinder Head Gasket
11	93-5665	1	Gasket				
12	94-4146	10	Screw				
13	93-5661	1	Head-Cylinder				
14	93-5669	4	Plug				
15	93-5926	1	O-Ring				
16	93-5928	2	Washer-Spring				
17	93-5927	2	Screw				
18	94-3118	2	Plug				
19	93-5670	1	Element-Filter				
20	100-1364	1	Cover Plate ASM (Incl. Ref. #15)				
21	93-5947	1	Gasket-Head, Cylinder				
22	94-4145	4	Chamber-Swirl				
23	98-8070	1	Cover-Lower				
24	95-7477	5	Screw				

*Not Illustrated



T-2279

Piston and Crankshaft Assembly

Ref. No.	Part No.	Qty.	Description
1	94-3112	4	Screw
2	98-8071	1	Pulley-Crankshaft
▲3	93-5684	1	Gear-Timing
●3	100-1374	1	Gear-Timing
4	93-5699	1	Spacer
5	93-5710	2	Screw
6	93-5687	1	Plate-Gasket
7	93-5701	1	Gasket
▲8	93-5698	1	Gear-Pump, Oil
●8	100-1375	1	Gear-Pump, Oil
9	93-5703	1	Key
10	93-5715	8	Bolt- Rod, Connecting
11	93-5716	8	Circlip
†12		4	Pin-Wrist
13	93-5714	4	Set Of 3 Piston Rings (77mm Dia.)
†14		4	Piston
15	93-5712	1	Set Of 4 Connecting Rods (Incl. Ref. #10 & 20)
16	93-5713	1	Set Of 8 Half Bearings (45mm Dia.)
16	95-2705	1	Set Of 8 Half Bearings (44.7mm Dia.)
17	93-5681	1	Crankshaft
18	74-8250	1	Pin

Ref. No.	Part No.	Qty.	Description
19	93-5702	1	Gasket
†20		4	Cap-Rod, Connecting
21	93-5709	1	Screw
22	93-5700	1	Plug
23	93-5705	3	Pin
24	93-5708	6	Screw
■25	95-2642	1	Flywheel-Engine (Incl. Ref. #26)
■26	95-2641	1	Gear-Starter, Starter
27	93-5707	2	Stud
28	93-5704	6	Screw
29	93-5686	1	Plate-Gasket
30	100-1383	4	Pin
31	93-5688	6	Bearing-Half (1.844 Thick)
*	93-5689	6	Bearing-Half (1.858 Thick)
*	93-5690	6	Bearing-Half (1.869 Thick)
*	95-2706	6	Bearing-Half (1.994 Thick)
*	95-2707	6	Bearing-Half (2.008 Thick)

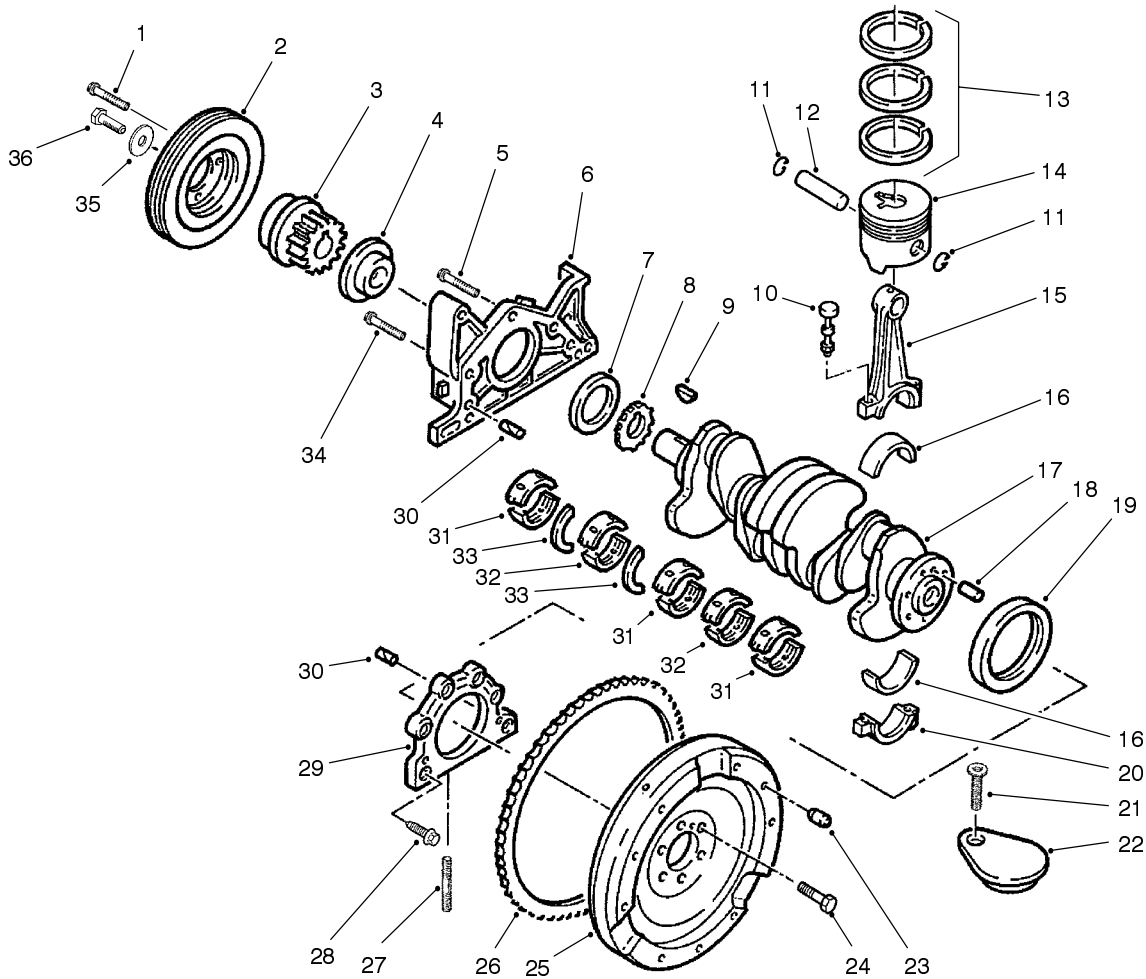
*Not Illustrated

■For Engine Serial No. 549159 & Up

●For Engine Serial No. 650226 & Down.

†Not Serviced Separately

▲For Engine Serial No. 650227 & Up.



T-2279

Piston and Crankshaft Assembly (Continued)

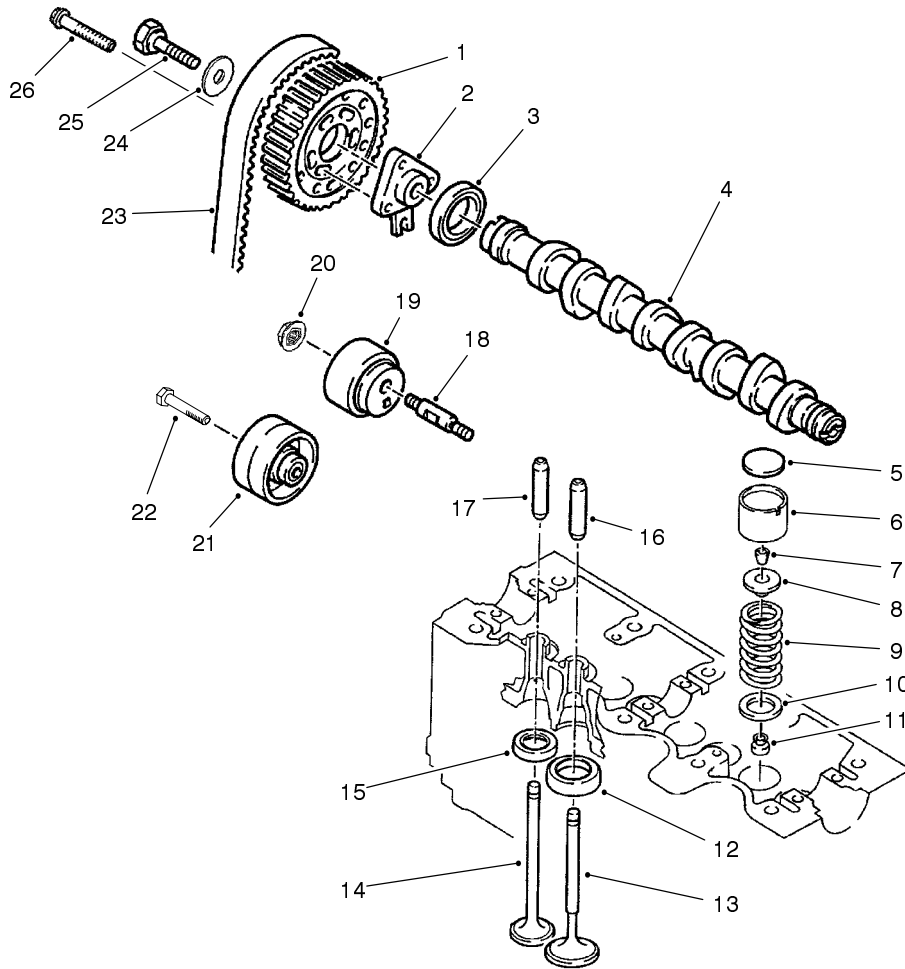
Ref. No.	Part No.	Qty.	Description
*	95-2708	6	Bearing-Half (2.019 Thick)
32	93-5691	4	Bearing-Half (1.844 Thick)
*	93-5692	4	Bearing-Half (1.858 Thick)
*	93-5693	4	Bearing-Half (1.869 Thick)
*	95-2709	4	Bearing-Half (1.994 Thick)
*	95-2710	4	Bearing-Half (2.008 Thick)
*	95-2711	4	Bearing-Half (2.019 Thick)
33	93-5694	2	Flanges-Half (2.40 Thick)
*	93-5695	2	Flanges-Half (2.50 Thick)
*	93-5696	2	Flanges-Half (2.55 Thick)
*	93-5697	2	Flanges-Half (2.60 Thick)
34	93-5711	3	Screw
35	74-8080	1	Washer-Pate
▲36	94-3145	1	Screw-Pulley
●36	100-1376	1	Screw-Pulley

Ref. No.	Part No.	Qty.	Description
*	95-2702	1	Piston ASM. Repair A (Incl. Ref. #11-14)
*	95-2703	1	Piston ASM. Repair B (Incl. Ref. #11-14)
*	95-2704	1	Piston ASM. Repair C (Incl. Ref. #11-14)

*Not Illustrated

▲For engine Serial No. 650227 & Up.

●For Engine Serial No. 650226 & Down.



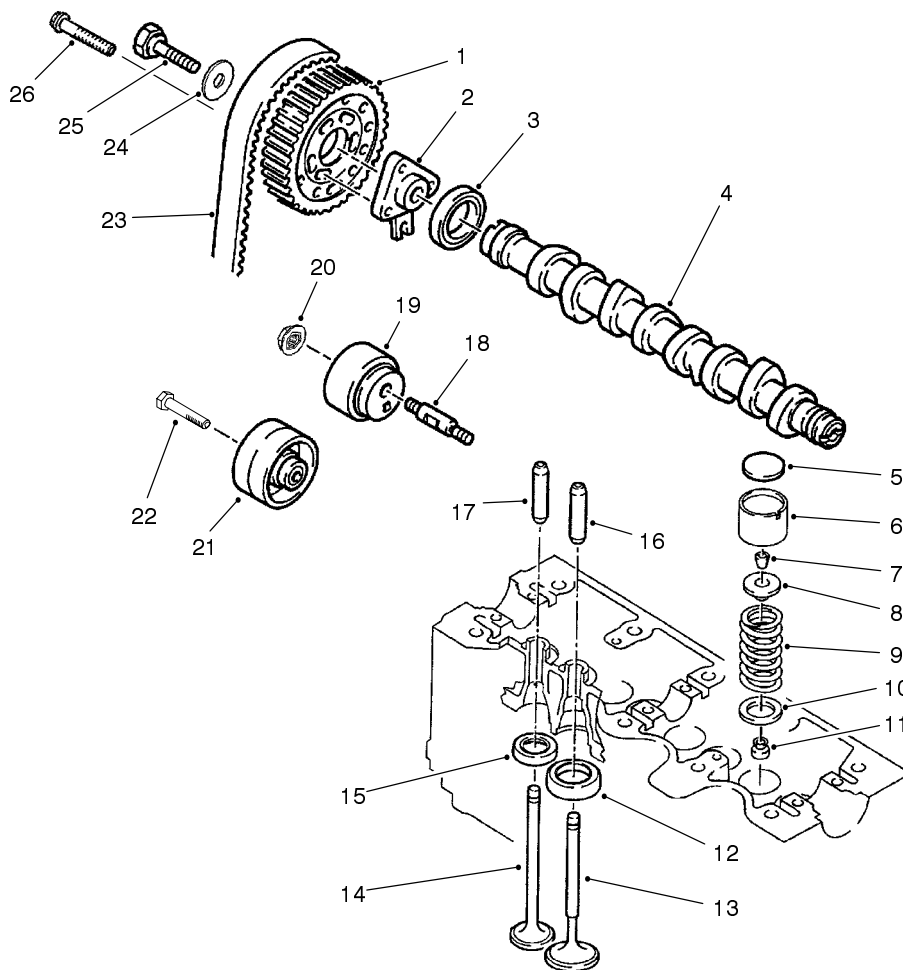
T-2280

Camshaft and Valves Assembly

Ref. No.	Part No.	Qty.	Description
1	93-5719	1	Gear-Camshaft
2	93-5723	1	Hub-Pulley
3	93-5718	1	Seal-Camshaft
4	93-5717	1	Camshaft
5	93-5742	8	Shim-Tappet (3.20 mm)
*	93-5743	8	Shim-Tappet (3.25 mm)
*	93-5744	8	Shim-Tappet (3.30 mm)
*	93-5745	8	Shim-Tappet (3.35 mm)
*	93-5746	8	Shim-Tappet (3.40 mm)
*	93-5747	8	Shim-Tappet (3.45 mm)
*	93-5748	8	Shim-Tappet (3.50 mm)
*	93-5749	8	Shim-Tappet (3.55 mm)
*	93-5750	8	Shim-Tappet (3.60 mm)
*	93-5751	8	Shim-Tappet (3.65 mm)
*	93-5752	8	Shim-Tappet (3.70 mm)

Ref. No.	Part No.	Qty.	Description
*	93-5753	8	Shim-Tappet (3.72 mm)
*	93-5754	8	Shim-Tappet (3.75 mm)
*	93-5755	8	Shim-Tappet (3.77 mm)
*	93-5756	8	Shim-Tappet (3.80 mm)
*	93-5757	8	Shim-Tappet (3.82 mm)
*	93-5758	8	Shim-Tappet (3.85 mm)
*	93-5759	8	Shim-Tappet (3.87 mm)
*	93-5760	8	Shim-Tappet (3.90 mm)
*	93-5761	8	Shim-Tappet (3.92 mm)
*	93-5762	8	Shim-Tappet (3.95 mm)
*	93-5763	8	Shim-Tappet (3.97 mm)
*5	93-5764	8	Shim-Tappet (4.00 mm)

*Not Illustrated



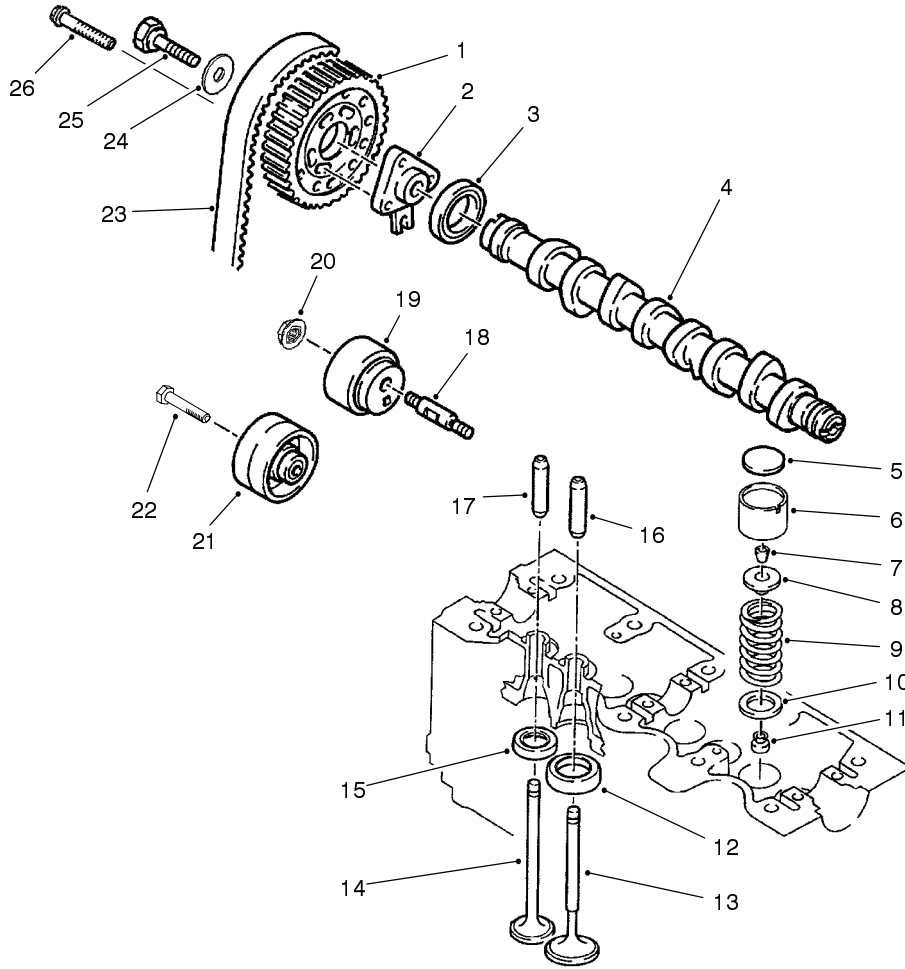
T-2280

Camshaft and Valves Assembly (Continued)

Ref. No.	Part No.	Qty.	Description
*	93-5765	8	Shim-Tappet (4.02 mm)
*	93-5766	8	Shim-Tappet (4.05 mm)
*	93-5767	8	Shim-Tappet (4.07 mm)
*	93-5768	8	Shim-Tappet (4.10 mm)
*	93-5769	8	Shim-Tappet (4.12 mm)
*	93-5770	8	Shim-Tappet (4.15 mm)
*	93-5771	8	Shim-Tappet (4.17 mm)
*	93-5772	8	Shim-Tappet (4.20 mm)
*	93-5773	8	Shim-Tappet (4.22 mm)
*	93-5774	8	Shim-Tappet (4.25 mm)
*	93-5775	8	Shim-Tappet (4.27 mm)
*	93-5776	8	Shim-Tappet (4.30 mm)
*	93-5777	8	Shim-Tappet (4.32 mm)

Ref. No.	Part No.	Qty.	Description
*	93-5778	8	Shim-Tappet (4.35 mm)
*	93-5779	8	Shim-Tappet (4.37 mm)
*	93-5780	8	Shim-Tappet (4.40 mm)
*	93-5781	8	Shim-Tappet (4.42 mm)
*	93-5782	8	Shim-Tappet (3.45 mm)
*	93-5783	8	Shim-Tappet (4.47 mm)
*	93-5784	8	Shim-Tappet (4.50 mm)
*	93-5785	8	Shim-Tappet (4.52 mm)
*	93-5786	8	Shim-Tappet (4.55 mm)
*	93-5787	8	Shim-Tappet (4.57 mm)
*	93-5788	8	Shim-Tappet (4.60 mm)
*	93-5789	8	Shim-Tappet (4.62 mm)

*Not Illustrated



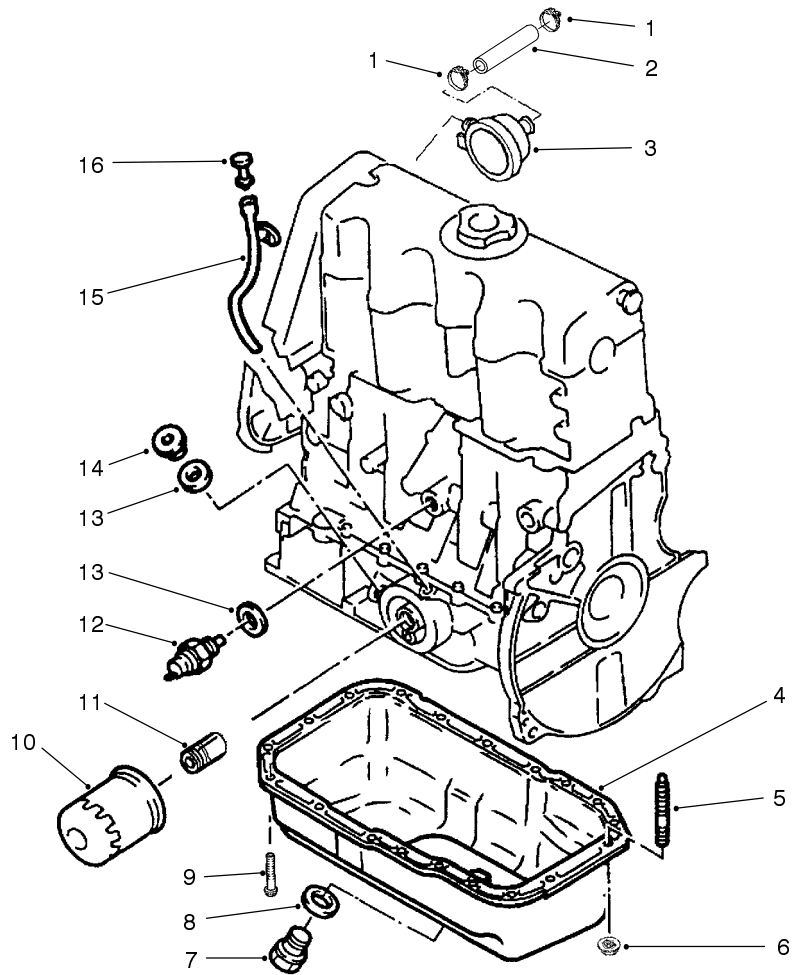
T-2280

Camshaft and Valves Assembly (Continued)

Ref. No.	Part No.	Qty.	Description
*5	93-5790	8	Shim-Tappet (4.65 mm)
*	93-5791	8	Shim-Tappet (4.67 mm)
*	93-5792	8	Shim-Tappet (4.70 mm)
*	93-5793	8	Shim-Tappet (4.72 mm)
*	93-5794	8	Shim-Tappet (4.75 mm)
*	93-5795	8	Shim-Tappet (4.77 mm)
*	93-5796	8	Shim-Tappet (4.80 mm)
*	93-5797	8	Shim-Tappet (4.82 mm)
*	93-5798	8	Shim-Tappet (4.85 mm)
*	93-5799	8	Shim-Tappet (4.87 mm)
*	93-5800	8	Shim-Tappet (4.90 mm)
6	93-5736	8	Tappet
7	93-5734	16	Valve Half Bush
8	93-5733	8	Seat-Spring, Valve
9	93-5732	8	Spring-Valve

Ref. No.	Part No.	Qty.	Description
10	93-5741	8	Washer-Flat
11	100-1367	8	Seal-Valve
12	93-5739	4	Valve-Seat, Inlet
13	93-5730	4	Valve-Intake
14	93-5731	4	Valve-Exhaust
15	93-5740	4	Valve-Seat, Outlet
16	93-5737	4	Guide-Valve, Inlet
17	93-5738	4	Guide-Valve, Outlet
18	93-5724	1	Spindle-Tensioner
19	100-1360	1	Tensioner
20	93-5729	1	Nut
21	100-1363	1	Kit-Roller (Incl. Ref. #22)
22	93-5726	1	Screw
23	93-5720	1	Belt-Cogged
24	93-5728	1	Washer-Plate
25	93-5725	1	Screw-Pulley
26	93-5851	3	Screw

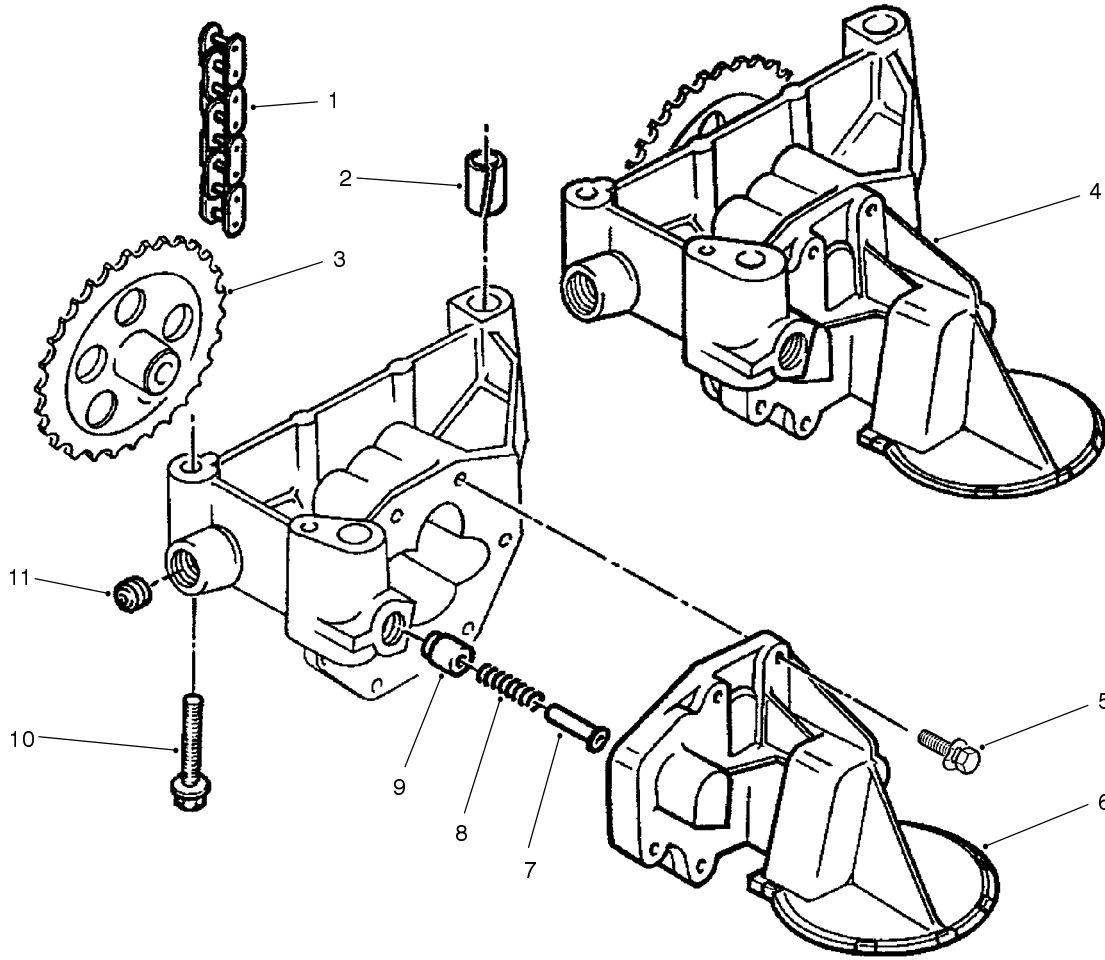
*Not Illustrated



T-2281

Oil System Assembly

Ref. No.	Part No.	Qty.	Description	Ref. No.	Part No.	Qty.	Description
1	2412-36	2	Clamp				
2	93-5817	1	Union				
3	93-5816	1	Regulator				
4	93-5810	1	Sump-Oil				
5	93-5660	3	Stud				
6	93-5815	3	Nut				
7	74-7310	1	Plug-Drain				
8	74-7320	1	Gasket				
9	93-5704	16	Screw				
10	74-7970	1	Filter-Oil				
11	93-5809	1	Adaptor				
12	94-3180	1	Switch-Pressure				
13	93-5814	2	Gasket				
14	93-5813	1	Plug-Threaded				
15	93-5811	1	Guide-Dipstick				
16	93-5812	1	Dipstick-Oil				



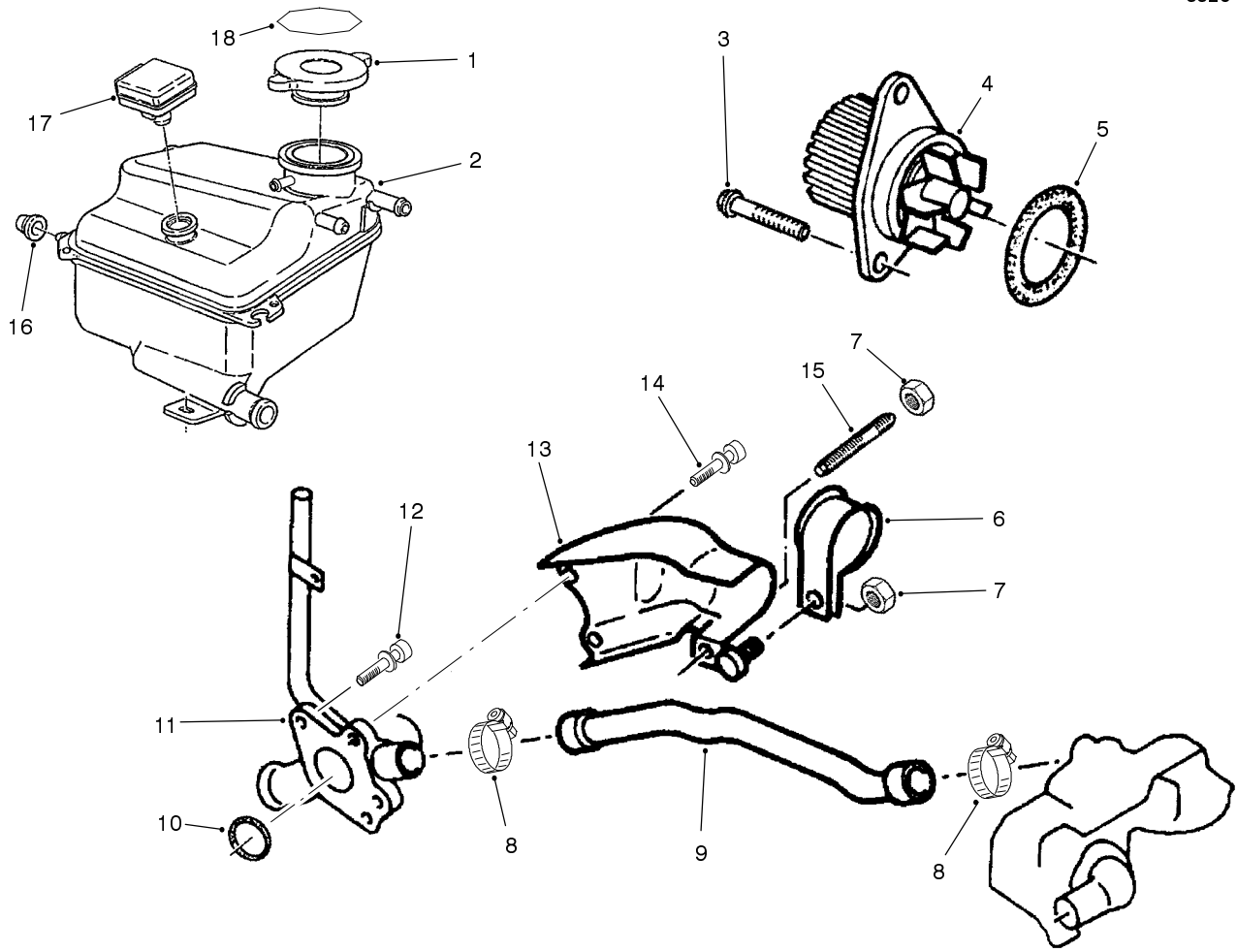
T-2282

Oil Pump Assembly

Ref. No.	Part No.	Qty.	Description
1	93-5804	1	Chain-Pump, Oil
2	93-5658	1	Pin
†3		1	Gear-Drive
4	93-5801	1	Pump-Oil (Incl. Ref. #3 & 6)
5	93-5807	6	Screw
†6		1	Strainer
7	93-5806	1	Shaft
8	93-5805	1	Spring
9	94-3176	1	Plunger
10	93-5803	3	Screw
11	94-3177	1	Plug

Ref. No.	Part No.	Qty.	Description

† Not Serviced Separately



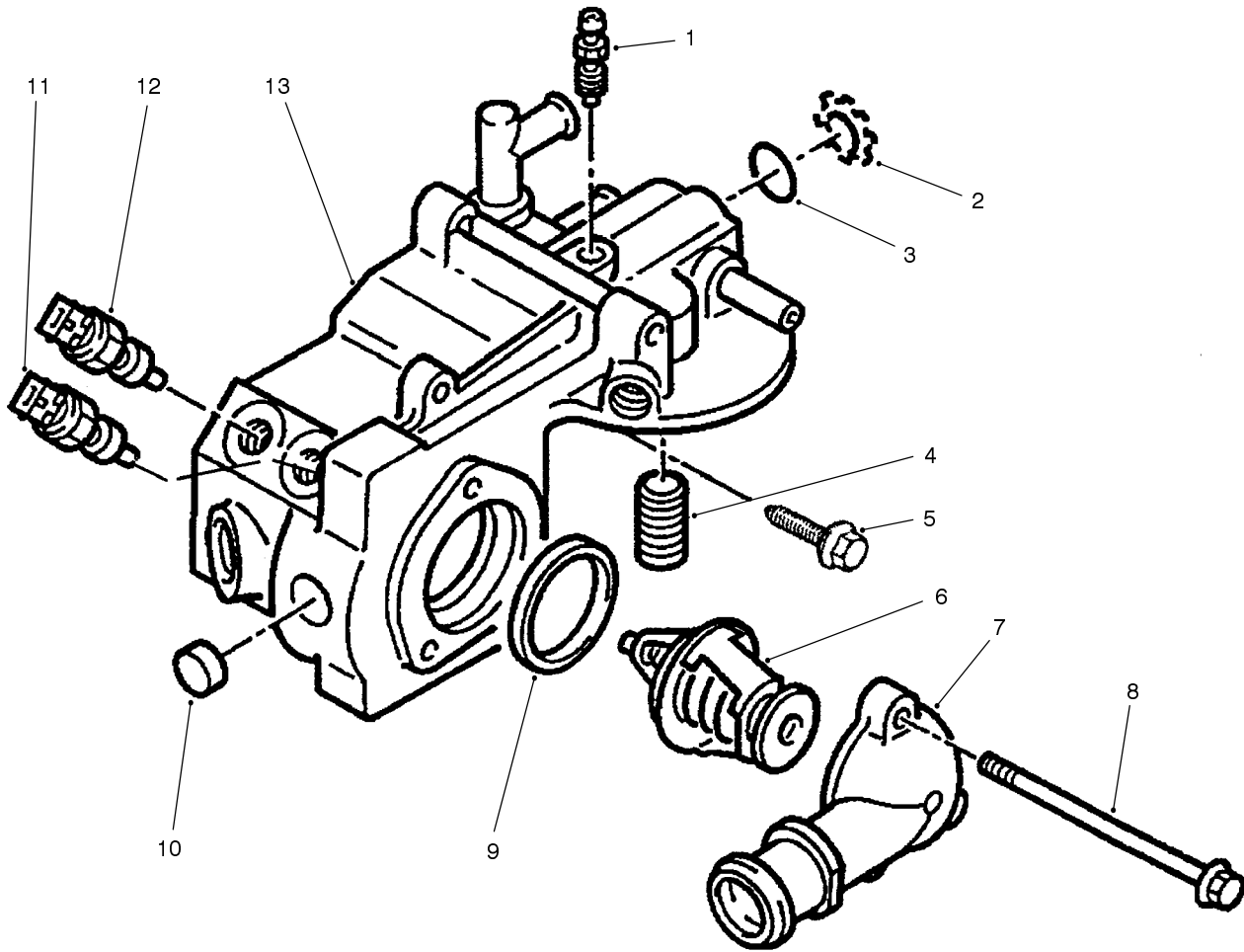
T-2283

Coolant System Assembly

Ref. No.	Part No.	Qty.	Description
1	94-2800	1	Plug-Pressure
1	66-3240	1	Cap-Radiator (Europe)
2	98-1805	1	Box-Degassing
3	94-3163	2	Screw
4	104-0111	1	Pump-Water
5	93-5822	1	O-Ring
●6	93-5826	1	Clip
●7	94-3267	2	Nut
8	2412-129	2	Clamp
●9	93-5824	1	Union-By-pass
◆9	104-0114	1	Union-By-pass
10	93-5821	1	O-Ring
◆11	93-5819	1	Inlet-Water
●11	104-0113	1	Inlet-Water
12	93-5823	2	Screw
●13	93-5825	1	Shield-Heat
●14	93-5827	2	Screw
●15	93-5660	1	Stud
16	94-2801	2	Grommet
17	94-9984	1	Sensor-Level, Water
18	93-7840	1	Decal-Radiator (Europe)

Ref. No.	Part No.	Qty.	Description

- For engine serial number 784440 & lower.
- ◆ For engine serial number 784441 & higher.



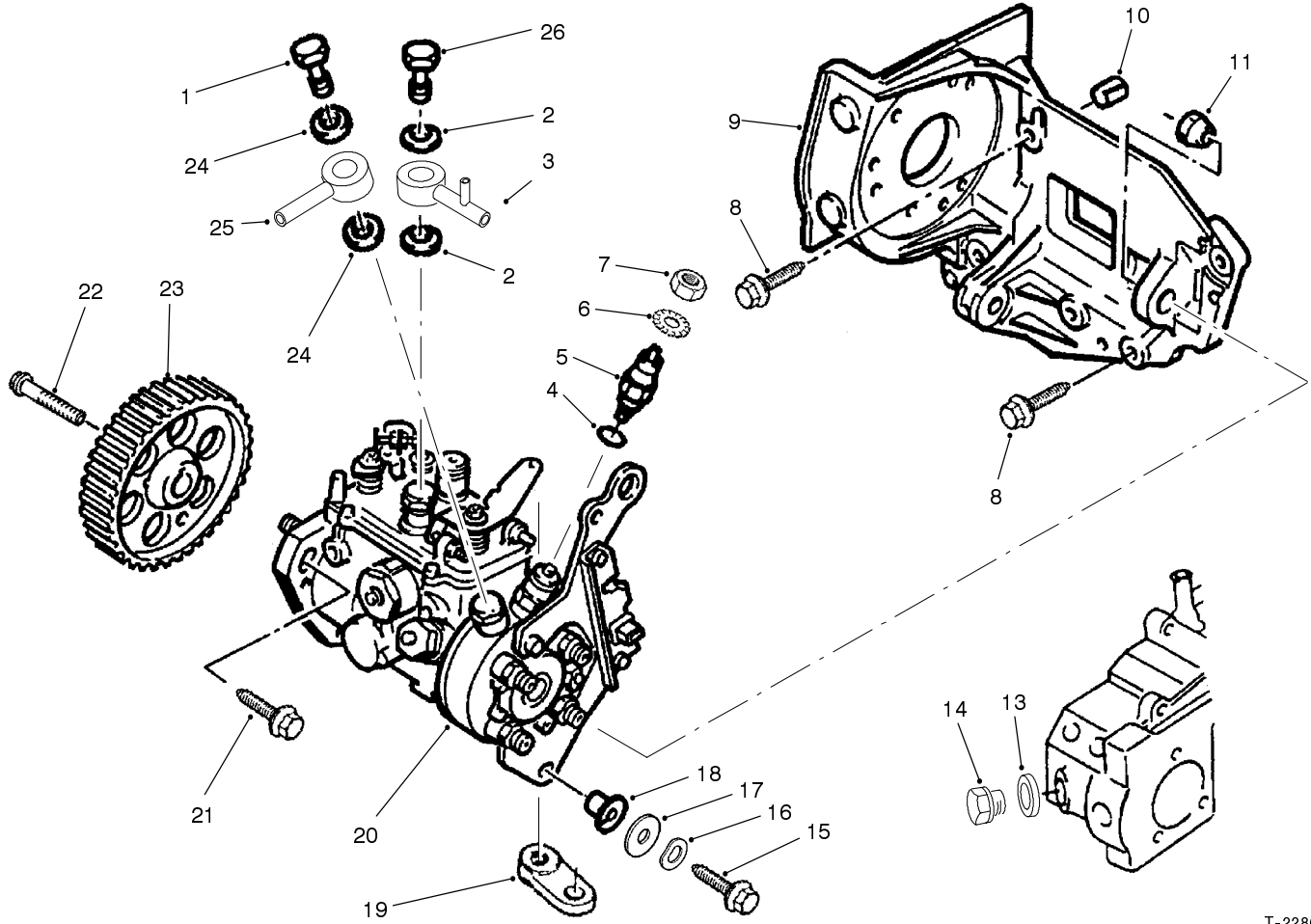
T-2284

Coolant Outlet Box Assembly

Ref. No.	Part No.	Qty.	Description
1	93-5835	1	Screw-Bleed
2	93-5840	1	Washer
3	93-5838	2	O-Ring
4	93-5836	1	Insert
5	93-5807	1	Screw
6	93-5831	1	Thermostat
7	94-9197	1	Cover
8	93-5839	4	Screw
9	93-5837	1	Gasket-Box, Water
10	93-5833	1	Plug (10.25mm Dia)
*	93-5834	2	Plug (14.5mm Dia)
11	94-3211	1	Thermoswitch
12	93-5832	1	Sender
13	93-5829	1	Box-Outlet, Water

Ref. No.	Part No.	Qty.	Description

*Not Illustrated



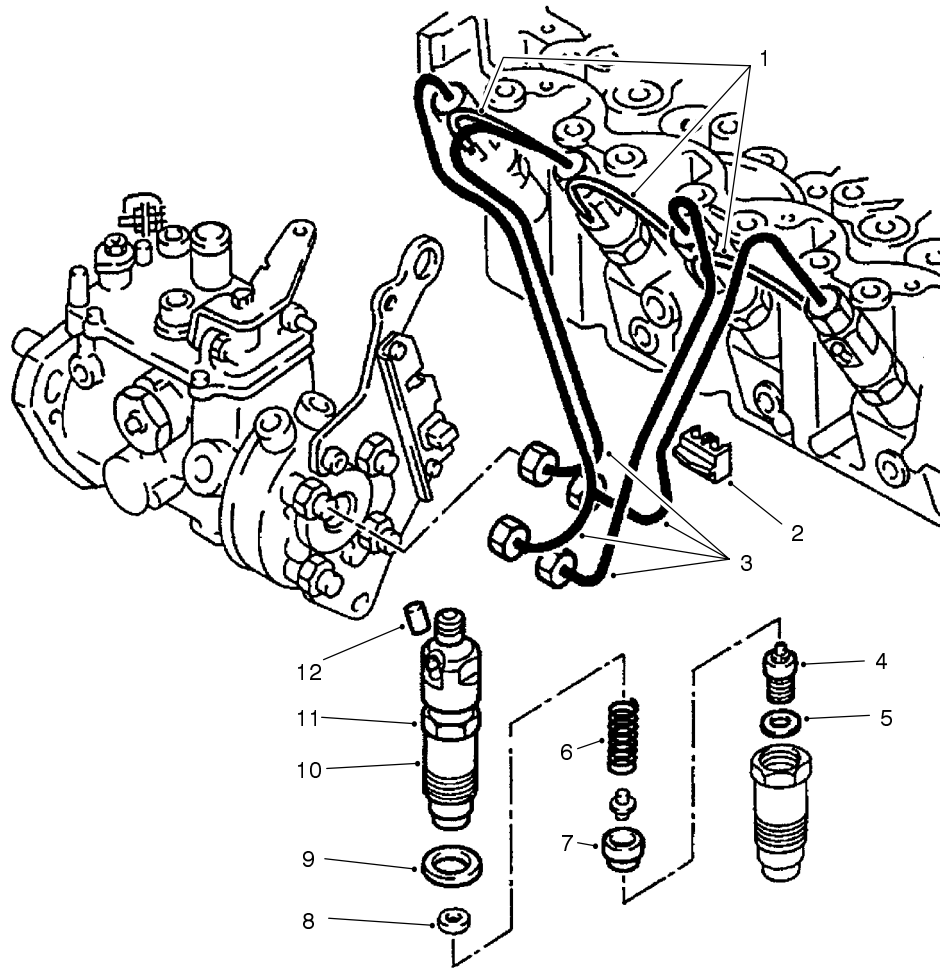
T-2286

Injection Pump Assembly

Ref. No.	Part No.	Qty.	Description
1	94-4111	1	Screw-Union, Inlet
2	74-8870	2	Gasket
3	95-1690	1	Union-Outlet
4	94-3274	1	O-Ring
5	98-8806	1	Valve-Solenoid
6	74-8710	1	Washer
7	48-7880	1	Nut
8	93-5852	5	Screw (35mm)
*	93-5853	1	Screw (45mm)
9	93-5849	1	Bracket-Pump, Injection
10	93-5659	2	Pin
11	94-3165	1	Nut-Hex
13	94-3122	1	Gasket
14	94-3121	1	Plug
15	94-3221	1	Screw
16	94-3164	1	Washer-Spring
17	93-5855	1	Washer-Plate
18	93-5909	1	Ring
19	74-8650	1	Journal
20	93-5848	1	Pump-Injection
21	93-5854	3	Screw
22	93-5851	3	Screw
23	93-5719	1	Gear-Pump, Injection
24	74-8680	2	Gasket
25	93-5857	1	Union-Inlet

Ref. No.	Part No.	Qty.	Description
26	94-3250	1	Screw-Union, Outlet

*Not Illustrated

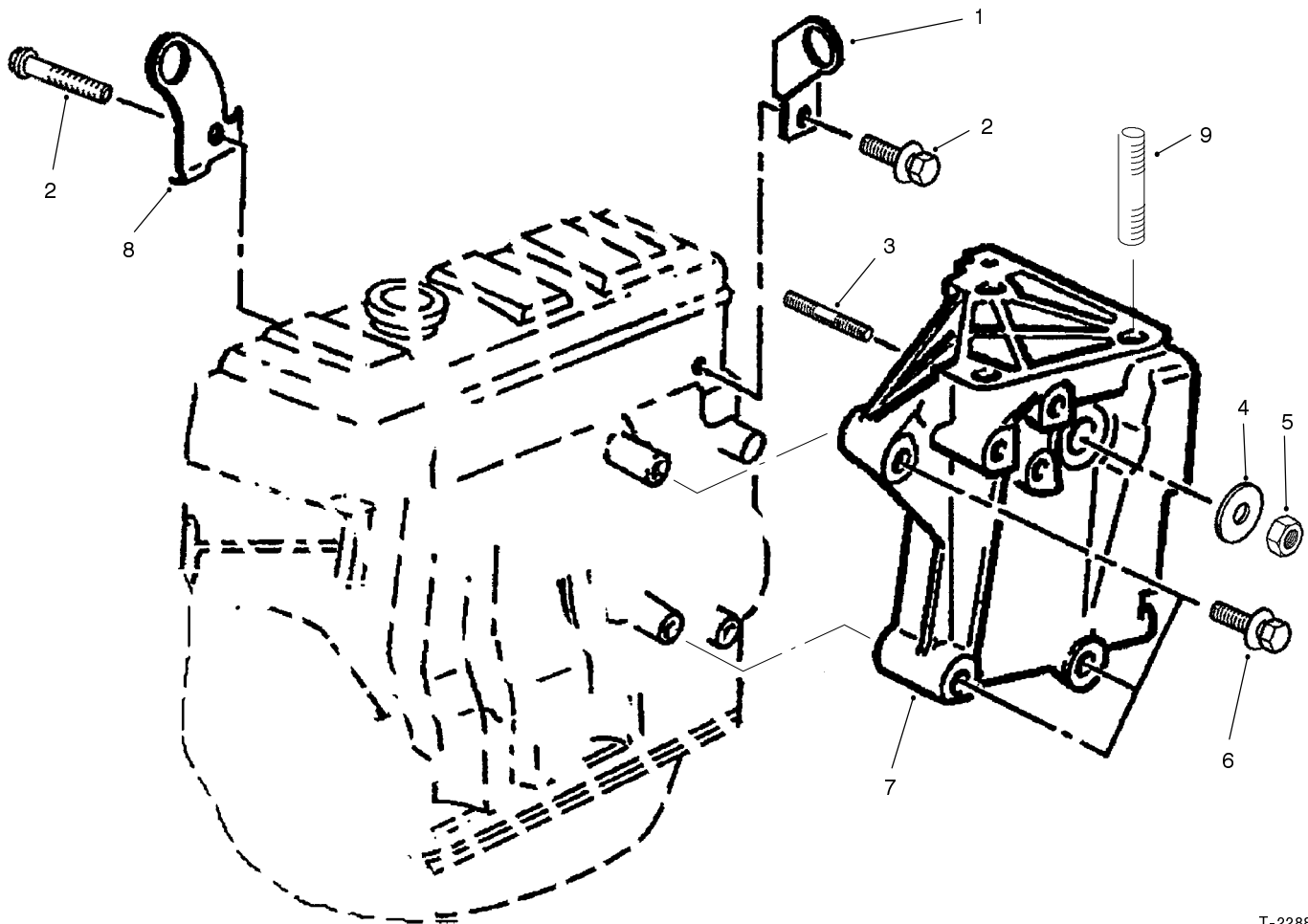


T-2287

Fuel Injector and Plumbing Assembly

Ref. No.	Part No.	Qty.	Description	Ref. No.	Part No.	Qty.	Description
1	93-5862	3	Union	*	93-5887	1	Shim (1.320 mm)
*	93-5863	1	Union	*	93-5888	1	Shim (1.400 mm)
2	94-3231	4	Bracket	*	93-5889	1	Shim (1.480 mm)
3	93-5861	1	Harness-Pipes	*	93-5890	1	Shim (1.560 mm)
4	93-5860	4	Injector	*	93-5891	1	Shim (1.640 mm)
5	93-5867	4	Gasket-Injector	9	93-5866	4	Gasket-Injector
6	93-5864	4	Spring	10	93-5868	4	Holder-Injector + Injectpr
7	93-5865	4	Spacer	11	94-4147	4	Holder-Injector
8	93-5869	1	Shim (.680 mm)	12	74-8770	1	Plug
*	93-5870	1	Shim (.720 mm)				
*	93-5871	1	Shim (.760 mm)				
*	93-5872	1	Shim (.800 mm)				
*	93-5873	1	Shim (.840 mm)				
*	93-5874	1	Shim (.880 mm)				
*	93-5875	1	Shim (.920 mm)				
*	93-5876	1	Shim (.960 mm)				
*	93-5877	1	Shim (1.000 mm)				
*	93-5878	3	Shim (1.035 mm)				
*8	93-5879	1	Shim (1.065 mm)				
*	93-5880	1	Shim (1.095 mm)				
*	93-5881	1	Shim (1.125 mm)				
*	93-5882	1	Shim (1.155 mm)				
*	93-5883	1	Shim (1.185 mm)				
*	93-5884	1	Shim (1.215 mm)				
*	93-5885	1	Shim (1.245 mm)				
*	93-5886	1	Shim (1.280 mm)				

*Not Illustrated

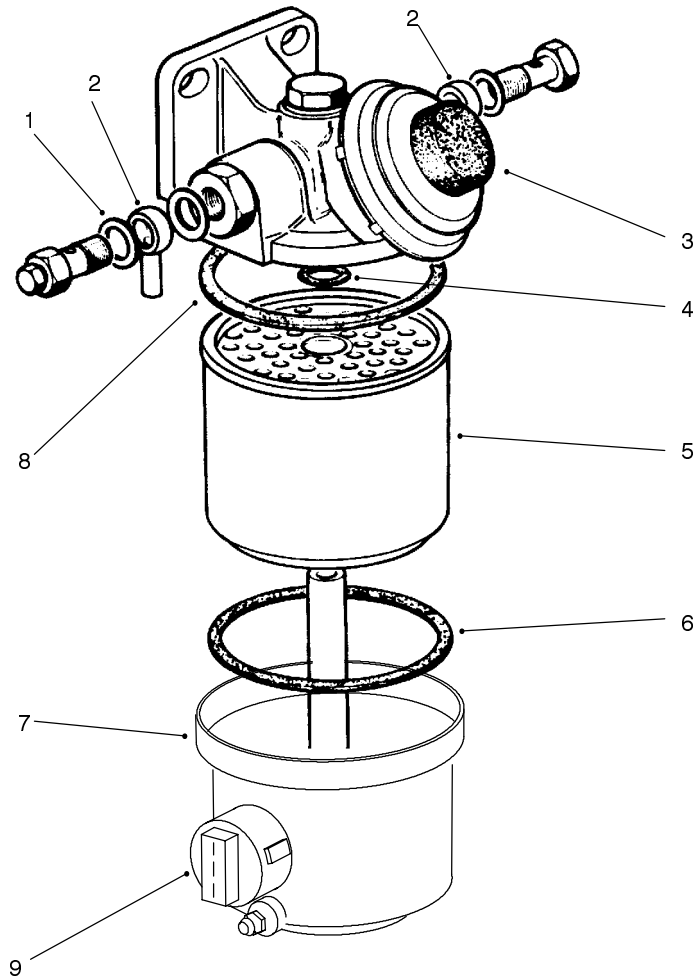


T-2288

Engine Mount Assembly

Ref. No.	Part No.	Qty.	Description
1	93-5901	1	Bracket-Lifting
2	93-5906	4	Screw
3	93-5905	1	Stud
4	93-5904	1	Washer-Plate
5	93-5903	1	Nut-Hex
6	93-5902	3	Screw
7	93-5899	1	Mount-Engine, RH
8	74-7570	1	Bracket-Lifting
9	93-5900	1	Stud

Ref. No.	Part No.	Qty.	Description



T-0966

Fuel Filter Assembly

Ref. No.	Part No.	Qty.	Description
1	76-5180	4	Washer-Copper
2	76-5190	2	Fitting-Adjustable
3	76-5300	1	Fuel Filter ASM (Incl. Ref. #7 & 9)
4		1	O-Ring
5	76-5220	1	Element-Filter (Incl. Ref. #4, 6 & 8)
6		1	Seal-Gasket
7		1	Cap-Filter, Fuel
8		1	Seal-Gasket
9	76-5320	1	Sensor-Water

Ref. No.	Part No.	Qty.	Description

