



Count on it.

Parts Catalog

Greensmaster® 1021

Mower

Model No. 04830—Serial No. 409400000 and Up



Ordering Replacement Parts

To order replacement parts, please supply the part number, the quantity, and the description of each part desired.

Understanding Reference Numbers

Each identified part in an illustration has a reference number. The reference number for a part also appears in the parts list, along with other information about the part.

This catalog uses two special reference number formats, one to indicate parts in a service assembly and another to indicate the quantity of a given part in an illustration.

Service Assembly Reference Numbers

Parts in service assemblies have reference numbers in the form a:b. The a represents the reference number of the entire service assembly and the b represents a sequential number unique to each part within the service assembly.

For example, a wheel assembly might be identified by reference number 6, the tire by 6:1, the valve by 6:2, and the wheel by 6:3. When you order the assembly identified by reference number 6, you receive all parts identified by reference numbers 6:1, 6:2, and 6:3. However, you may also order any part individually. Reference numbers of this type appear in illustration and in parts lists.

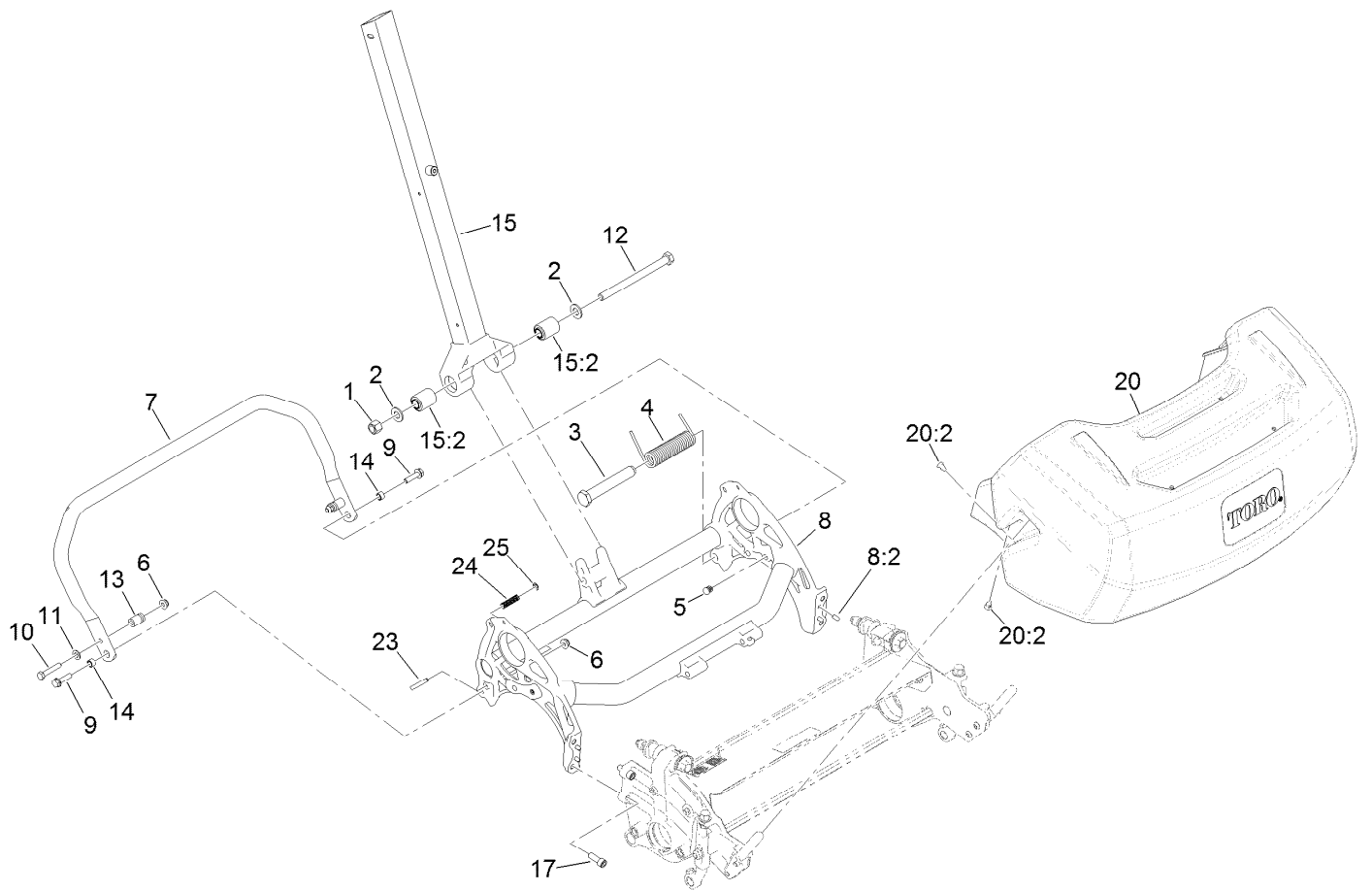
Reference Numbers Indicating Quantity

In an illustration, if a reference number indicates more than one part, the reference number has the form nX y. The n represents the quantity of the part, the X is the multiplication symbol, and the y represents the reference number.

For example, in an illustration, the reference number 2X 37 means that two of the parts identified by reference number 37 are indicated.

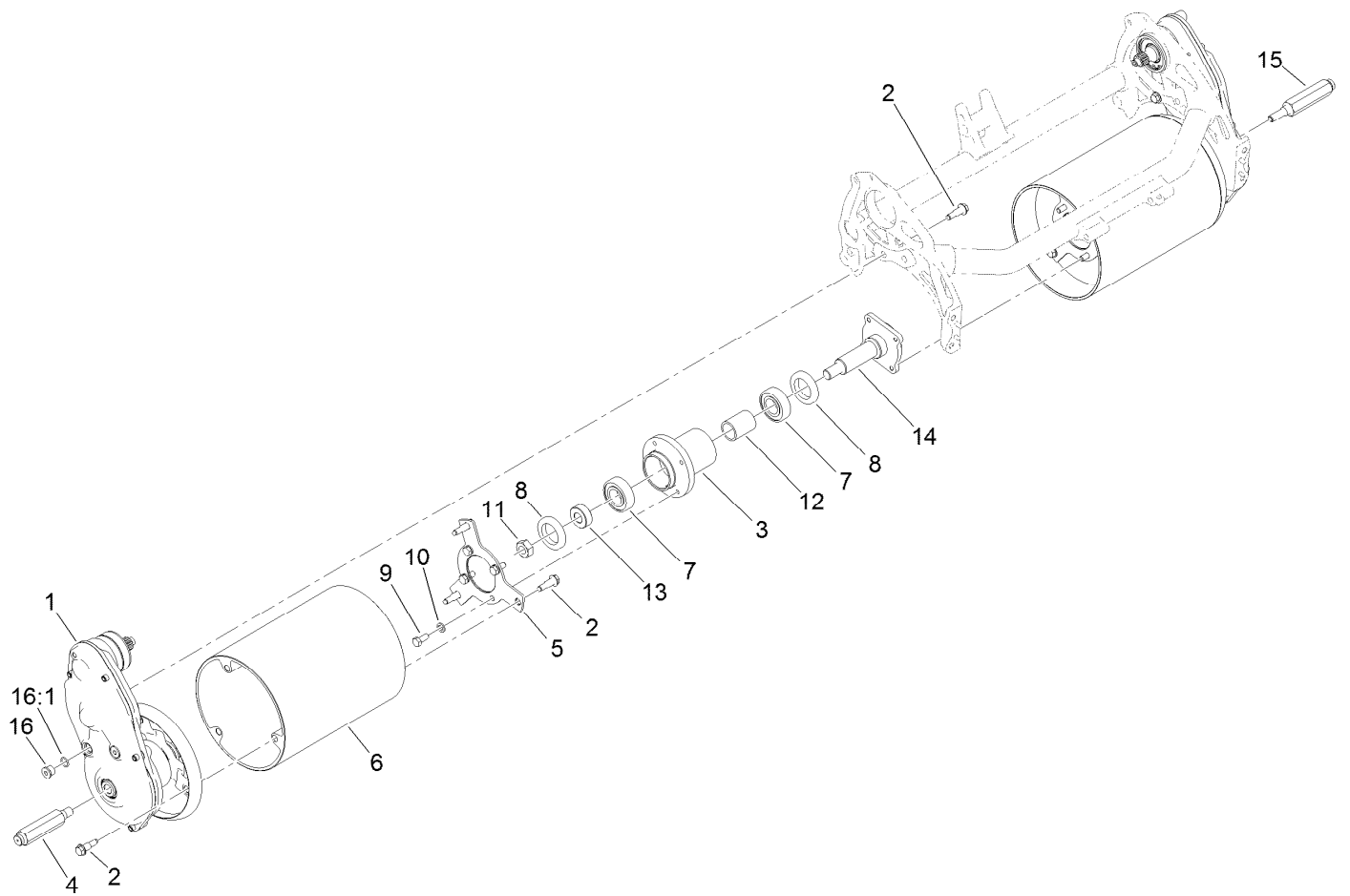
Contents

| | |
|---|----|
| Frame and Handle Mount Assembly | 4 |
| Drum Drive Assembly | 5 |
| Drum Drive Replacement Kit Assembly No. 140-9329 | 6 |
| Drum Drive Gearbox Assembly | 7 |
| Drive Shaft and Reel Components Assembly | 8 |
| Transmission and Engine Assembly | 9 |
| Transmission Gearbox Assembly No. 140-9324 Transmission Case Assembly | 11 |
| Transmission Gearbox Assembly No. 140-9324 Reel Drive Assembly | 12 |
| Transmission Gearbox Assembly No. 140-9324 Traction Drive Assembly | 13 |
| Differential Assembly No. 132-4555 | 14 |
| Engine Assembly No. 138-2142 | 15 |
| Reel Controls and Covers Assembly | 16 |
| Upper Receiver Assembly No. 140-9323 | 17 |
| Upper Handle Assembly | 18 |
| Traction Bail Assembly | 19 |
| Miscellaneous Parts Assembly | 20 |
| Attachments and Accessories | 21 |



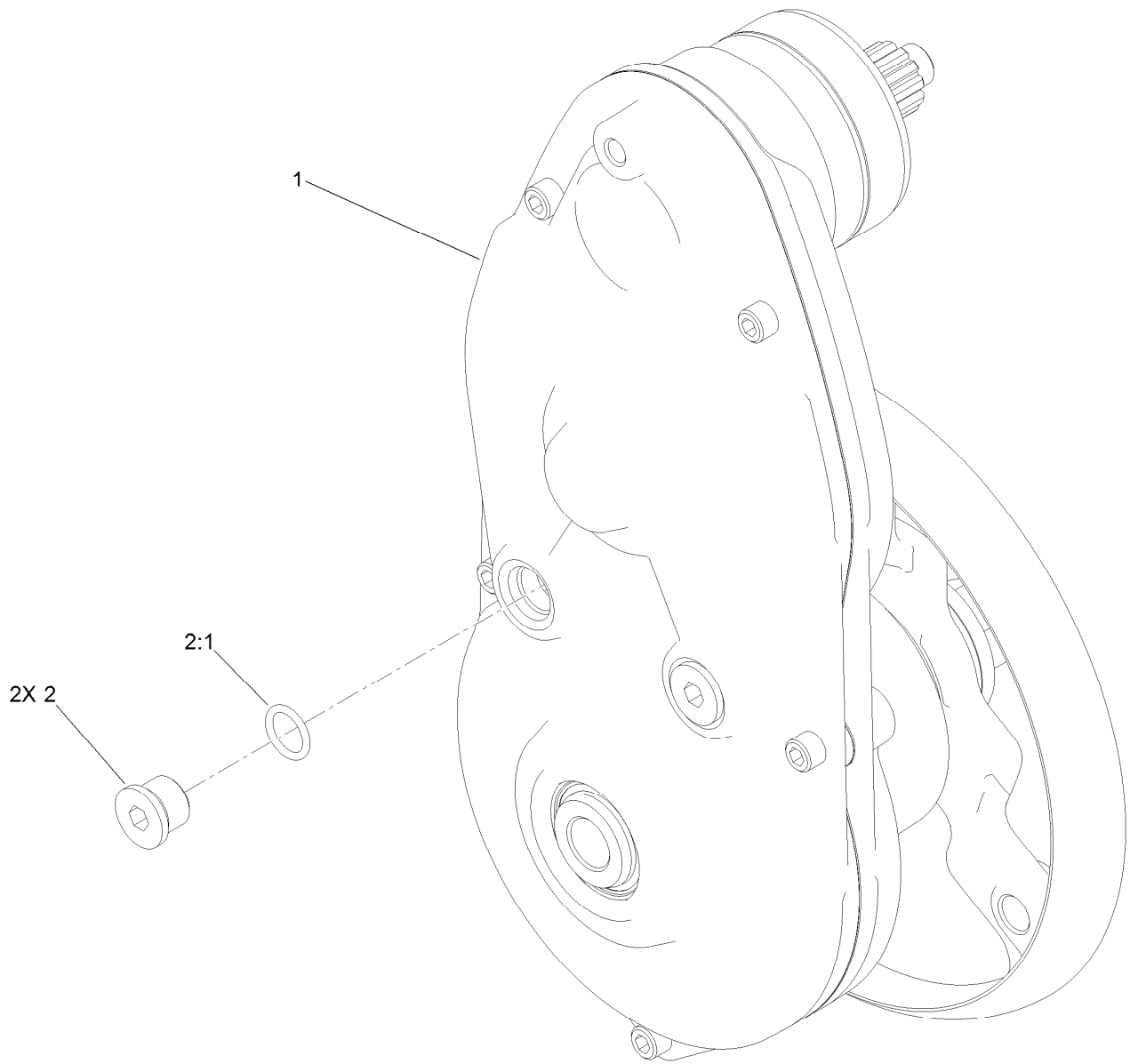
Frame and Handle Mount Assembly

| Ref. | Part Number | Qty. | Description | Ref. | Part Number | Qty. | Description |
|------|-------------|------|--------------------|------|-------------|------|----------------------|
| 1 | 3296-23 | 1 | Nut-Lock, NI | 12 | 325-33 | 1 | Screw-HH |
| 2 | 3256-26 | 2 | Washer-Flat | 13 | 65-7900 | 2 | Retainer-Spring |
| 3 | 138-1510 | 1 | Pin-Mount, Spring | 14 | 65-7910 | 2 | Spacer |
| 4 | 138-1459 | 1 | Spring-Torsion, LH | 15 | 137-0292 | 1 | Lower Handle ASM |
| 5 | 139-4326 | 2 | Plug-Plastic | 15:2 | 138-1469 | 2 | Bushing-Straight |
| 6 | 119-4041 | 3 | Nut-HF | 17 | 3274-7 | 4 | Screw-HSH |
| 7 | 133-9113-03 | 1 | Kickstand-21 Inch | 20 | 140-9293 | 1 | Basket-Grass, GR1021 |
| 8 | 138-1647 | 1 | 21 Inch Frame ASM | 20:2 | 121-4729 | 4 | Plug |
| 8:2 | 95-0715 | 4 | Pin-Dowel | 23 | 139-7431 | 1 | Pin-Kickstand, Lock |
| 9 | 112-6913 | 2 | Screw-HHF | 24 | 73-3450 | 1 | Spring-Compression |
| 10 | 322-9 | 2 | Screw-HH | 25 | 32151-86 | 1 | E-Ring |
| 11 | 3256-23 | 2 | Washer-Plain | | | | |



Drum Drive Assembly

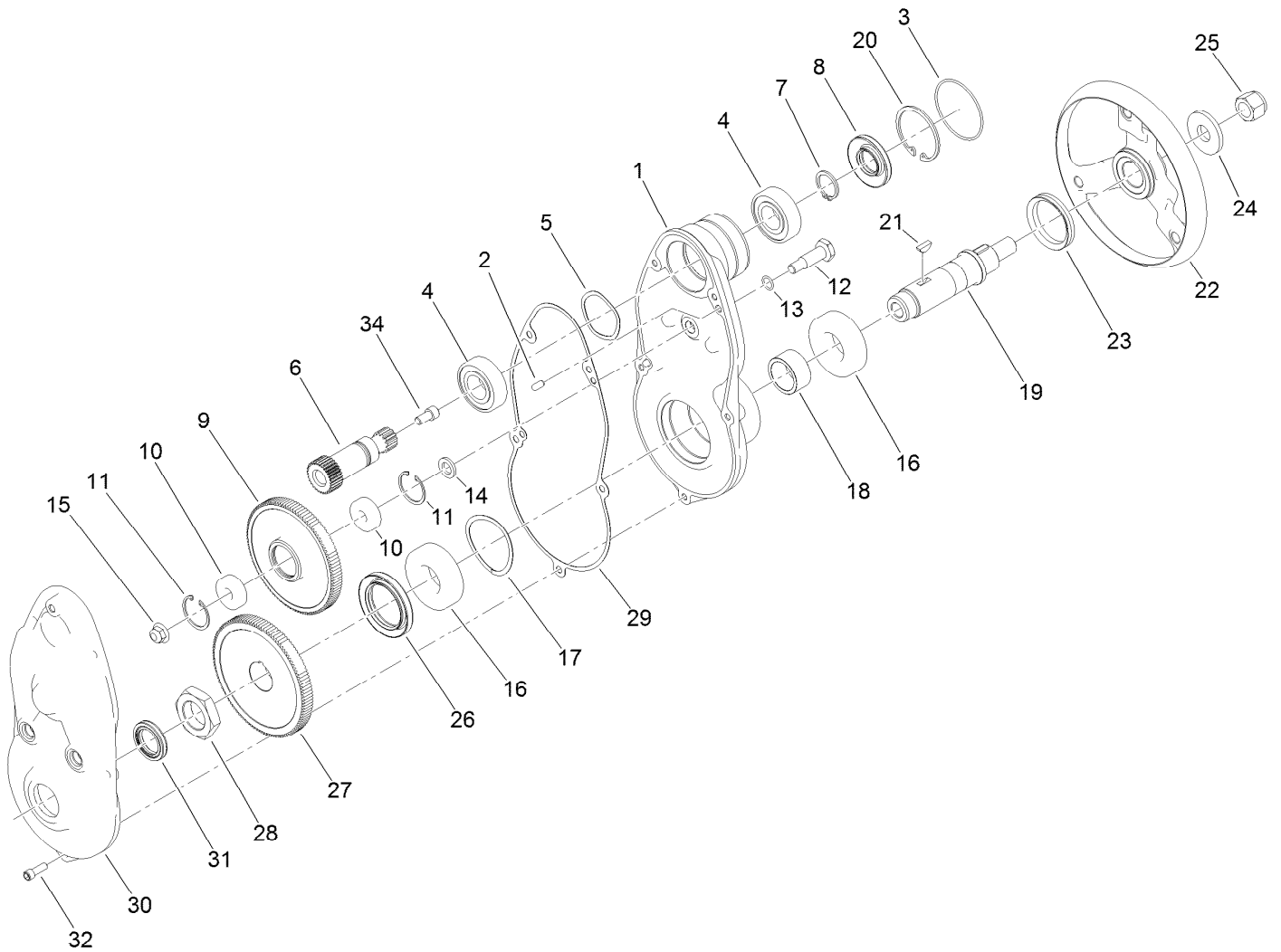
| <i>Ref.</i> | <i>Part Number</i> | <i>Qty.</i> | <i>Description</i> | <i>Ref.</i> | <i>Part Number</i> | <i>Qty.</i> | <i>Description</i> |
|-------------|--------------------|-------------|----------------------------|-------------|--------------------|-------------|--------------------|
| 1 | 140-9329 | 1 | Kit-Drum Drive Replacement | 9 | 322-3 | 8 | Screw-HH |
| 2 | 132-4607 | 14 | Bolt-Shoulder, Flange | 10 | 3253-4 | 8 | Washer-Lock |
| 3 | 132-6971 | 1 | Hub-Drum | 11 | 3296-33 | 1 | Nut-Lock, NI |
| 4 | 132-4605 | 1 | Shaft-Hex, RH | 12 | 65-6520 | 1 | Spacer |
| 5 | 140-9319 | 2 | Plate-Drum, Hub | 13 | 65-6530 | 1 | Spacer |
| 6 | 133-9246 | 2 | Drum-Traction, 21 Inch | 14 | 94-5850 | 1 | Spindle-Drum |
| 7 | 251-82 | 2 | Bearing-Ball | 15 | 132-4606 | 1 | Shaft-Hex, LH |
| 8 | 253-159 | 2 | Seal | 16 | 353-989 | 4 | Plug-Hex, Hollow |
| | | | | 16:1 | 237-42 | 1 | O-Ring |



Drum Drive Replacement Kit Assembly No. 140-9329

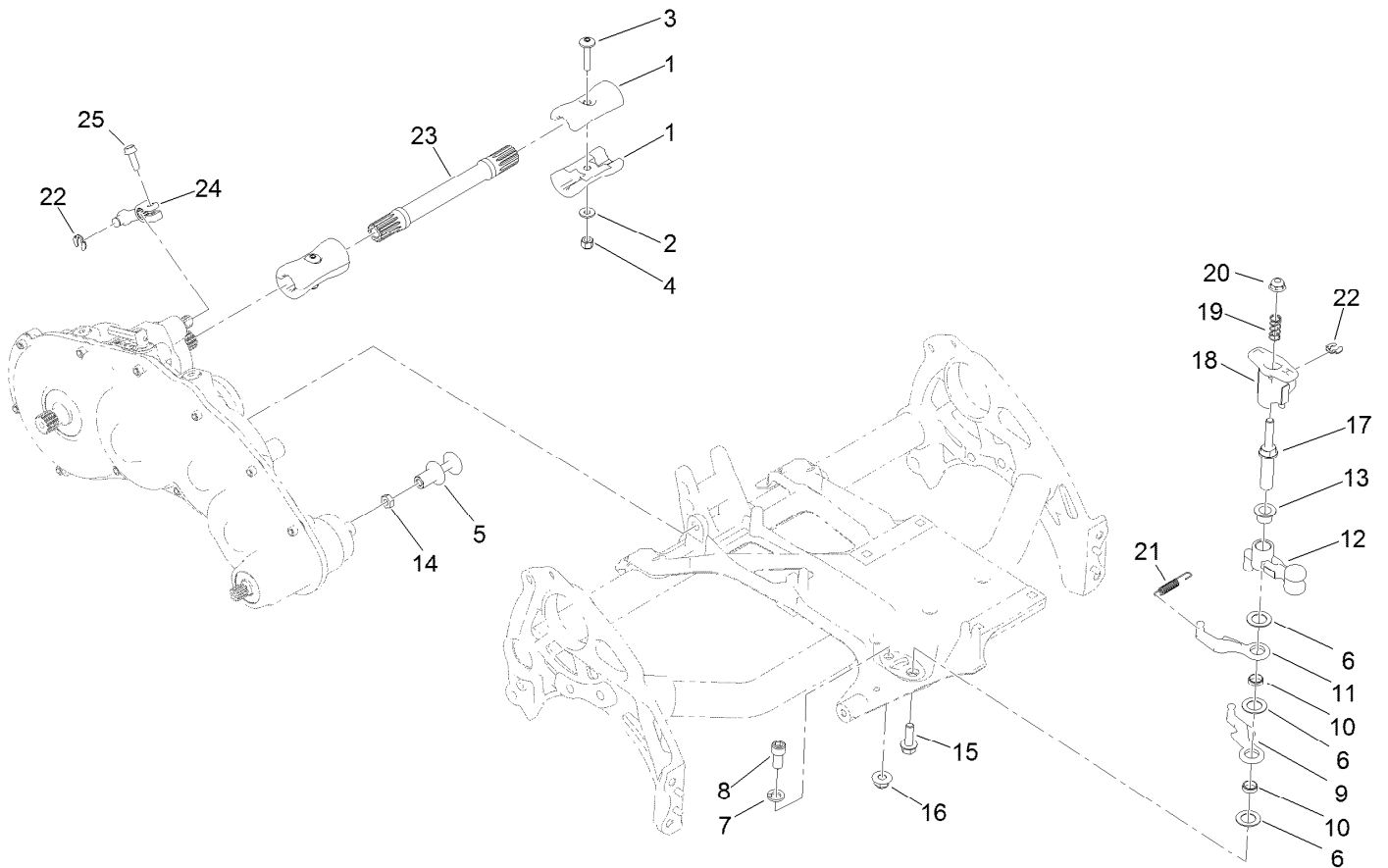
| <i>Ref.</i> | <i>Part Number</i> | <i>Qty.</i> | <i>Description</i> |
|-------------|--------------------|-------------|---------------------------|
| 1 | | 1 | Drum Drive Gear Box ASM ● |
| 2 | 353-989 | 2 | Plug-Hex, Hollow |
| 2:1 | 237-42 | 1 | O-Ring |

● Not serviced separately



Drum Drive Gearbox Assembly

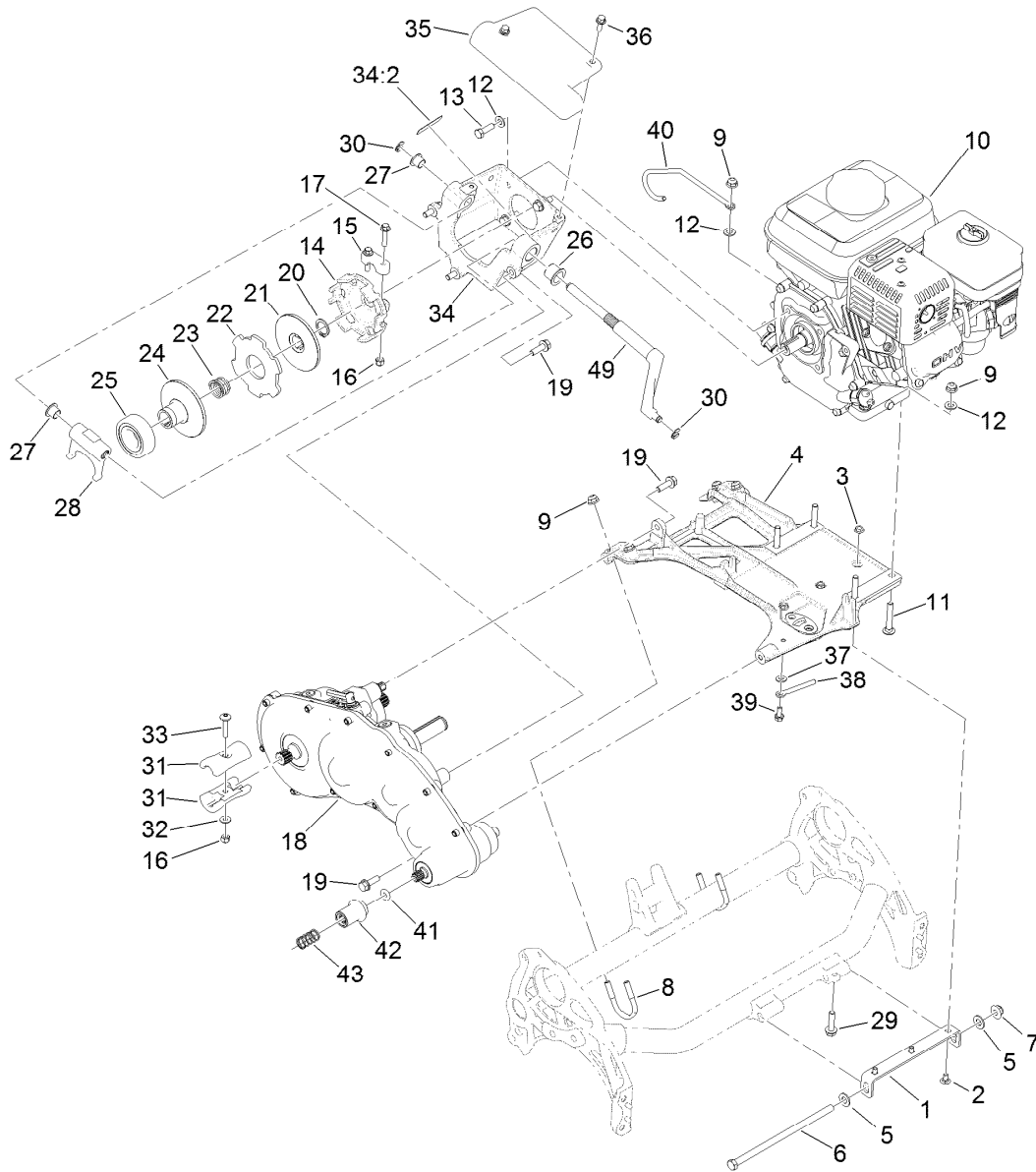
| Ref. | Part Number | Qty. | Description | Ref. | Part Number | Qty. | Description |
|------|-------------|------|----------------------------|------|-------------|------|----------------------------|
| 1 | 137-0282 | 1 | Housing-Drive, Drum | 17 | 115-5258 | 1 | Spring-Wire, Flat |
| 2 | 133-4591 | 2 | Pin-Dowel | 18 | 132-4568 | 1 | Spacer |
| 3 | 133-9082 | 1 | O-Ring | 19 | 133-4562 | 1 | Shaft-Drum, Drive |
| 4 | 251-82 | 2 | Bearing-Ball | 20 | 138-1480 | 1 | Ring-Retaining, Int (52Mm) |
| 5 | 3290-485 | 1 | Washer-Wave | 21 | 138-1504 | 2 | Key-Woodruff, 5Mm |
| 6 | 132-4565 | 1 | Gear-Spur, 30T | 22 | 133-9244 | 1 | Hub-Drum, Outer |
| 7 | 138-1507 | 1 | Ring-Retaining, EXT (25Mm) | 23 | 253-161 | 1 | Seal-V-Ring |
| 8 | 138-1491 | 1 | Seal-Oil | 24 | 104-9216 | 1 | Washer-Hardened |
| 9 | 137-0274 | 1 | Gear-Spur, 108T | 25 | 126-3841 | 1 | Nut-Hex, NI |
| 10 | 49-2410 | 2 | Bearing-Ball | 26 | 138-1490 | 1 | Seal-Oil |
| 11 | 138-1506 | 2 | Ring-Retaining, Int (32Mm) | 27 | 137-0275 | 1 | Gear-Spur, 114T |
| 12 | 133-4558 | 1 | Pin-Bearing, Short | 28 | 133-9078 | 1 | Nut-Hex |
| 13 | 80-8460 | 1 | O-Ring | 29 | 132-4569 | 1 | Gasket-Drive, Drum |
| 14 | 133-4553 | 1 | Spacer-Bearing | 30 | 137-0284 | 1 | Cover-Drive, Drum |
| 15 | 119-4042 | 1 | Nut-HF, NI | 31 | 133-4559 | 1 | Seal-Oil |
| 16 | 251-312 | 2 | Bearing-Ball | 32 | 140-9233 | 5 | Screw-HSH |
| | | | | 34 | 3274-12 | 1 | Screw-HSH |



Drive Shaft and Reel Components Assembly

| Ref. | Part Number | Qty. | Description |
|------|-------------|------|--------------------------|
| 1 | 133-9100 | 4 | Coupler-Splined, 4 Tooth |
| 2 | 119-8952 | 2 | Washer |
| 3 | 126-8232 | 2 | Screw-Truss |
| 4 | 3296-42 | 2 | Nut-Lock, NI |
| 5 | 133-9207 | 1 | Adapter-Slider |
| 6 | 139-7362 | 3 | Washer-Poly |
| 7 | 3253-21 | 1 | Washer-Lock |
| 8 | 131-8573 | 1 | Screw-HSH |
| 9 | 138-1523 | 1 | Reel Lever |
| 10 | 133-9226 | 2 | Bushing-Straight |
| 11 | 138-1524 | 1 | Lever-Reel |
| 12 | 133-9206 | 1 | Bellcrank-Reel |
| 13 | 125-5239 | 1 | Bushing-Flange |

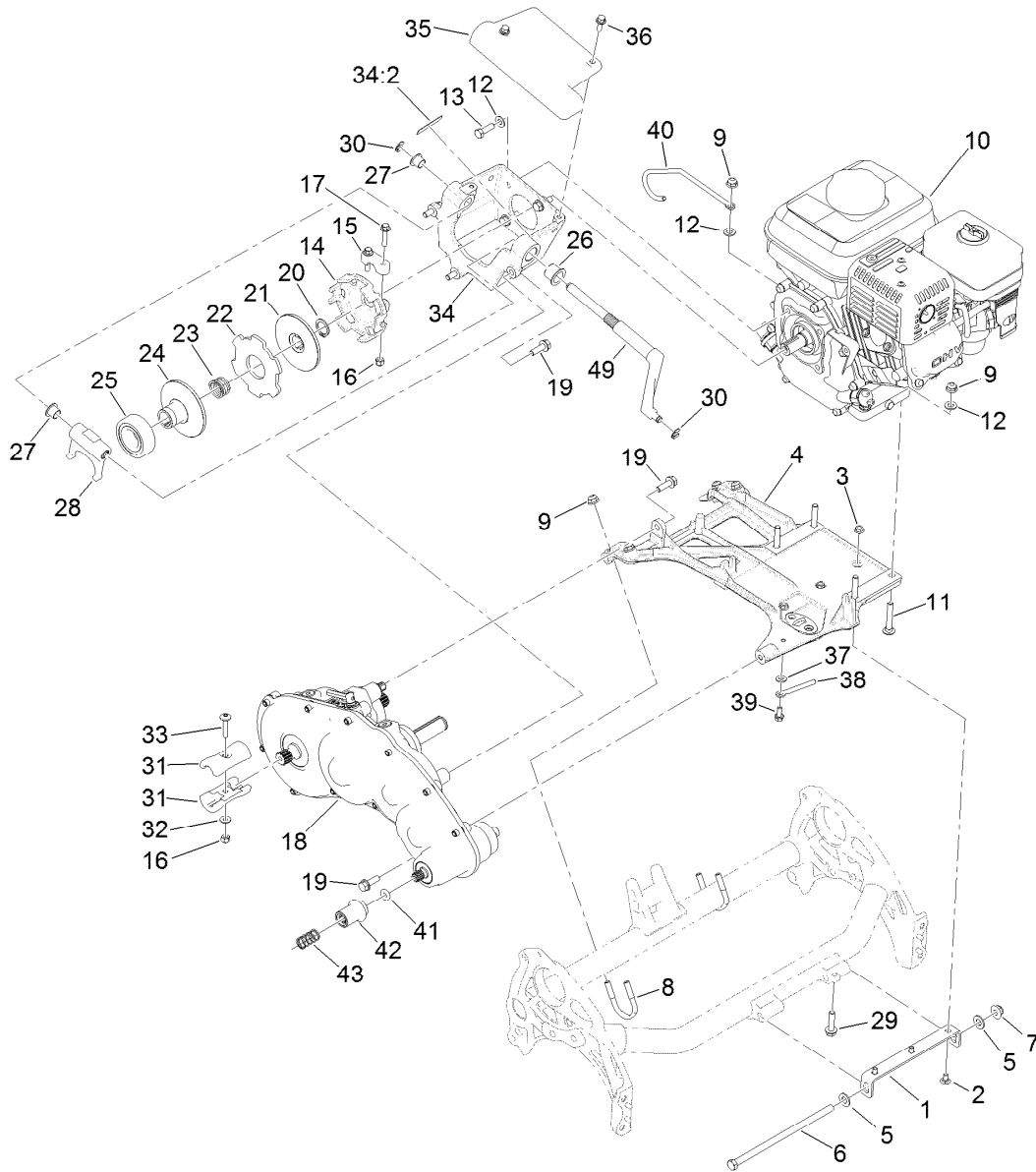
| Ref. | Part Number | Qty. | Description |
|------|-------------|------|----------------------|
| 14 | 120-9638 | 1 | Nut-Jam |
| 15 | 115-5142 | 1 | Screw-HHF |
| 16 | 119-4042 | 1 | Nut-HF, NI |
| 17 | 137-0298 | 1 | Shaft-Selector, Reel |
| 18 | 137-0299 | 1 | Hub-Selector, Reel |
| 19 | 117-1031 | 1 | Spring-Compression |
| 20 | 119-4041 | 1 | Nut-HF |
| 21 | 119-4609 | 1 | Spring-Extension |
| 22 | 32151-47 | 2 | Ring-Retaining |
| 23 | 133-9208 | 1 | Shaft-Drive |
| 24 | 133-9117 | 1 | Lever-Brake, Cable |
| 25 | 131-6150 | 1 | Screw-HWHTF |



Transmission and Engine Assembly

| Ref. | Part Number | Qty. | Description | Ref. | Part Number | Qty. | Description |
|------|-------------|------|---------------------------------------|------|-------------|------|-------------------------------|
| 1 | 138-1623-01 | 1 | Bracket-Mount, Engine | 18 | 140-9324 | 1 | Kit-Transmission Replacement |
| 2 | 116-5611 | 3 | Bolt-CARRIAGE 1/4-20 X 1/2 Short Neck | 19 | 115-5142 | 5 | Screw-HHF |
| 3 | 32128-10 | 3 | Nut-Lock, HHF | 20 | 32151-33 | 1 | Ring-Retaining, EXT |
| 4 | 138-5517 | 1 | Base-Engine | 21 | 133-9095 | 1 | Disc-Clutch |
| 5 | 3256-24 | 2 | Washer-Flat | 22 | 133-9094 | 1 | Plate-Friction |
| 6 | 323-30 | 1 | Screw-HH | 23 | 133-9123 | 1 | Spring-Compression, Clutch |
| 7 | 119-4042 | 1 | Nut-HF, NI | 24 | 138-1508 | 1 | Disc-Clutch, Slider |
| 8 | 137-0301 | 2 | Clamp-Tube | 25 | 138-1505 | 1 | Bearing-Sealed, Self Aligning |
| 9 | 119-4041 | 8 | Nut-HF | 26 | 132-4089 | 1 | Bushing |
| 10 | 138-2142 | 1 | Engine ASM ● | 27 | 125-5239 | 2 | Bushing-Flange |
| 11 | 3230-6 | 4 | Bolt-CARR | 28 | 138-3548 | 1 | Fork-Clutch |
| 12 | 3256-23 | 8 | Washer-Plain | 29 | 112-6913 | 1 | Screw-HHF |
| 13 | 131-5919 | 4 | Screw-HH, Patch | 30 | 32151-47 | 2 | Ring-Retaining |
| 14 | 138-3542 | 1 | Hub-Clutch, External | 31 | 133-9100 | 2 | Coupler-Splined, 4 Tooth |
| 15 | 138-5522 | 1 | Clamp-Hub, Clutch | 32 | 119-8952 | 1 | Washer |
| 16 | 3296-42 | 3 | Nut-Lock, NI | 33 | 126-8232 | 1 | Screw-Truss |
| 17 | 127-8639 | 2 | Screw-HHF | | | | |

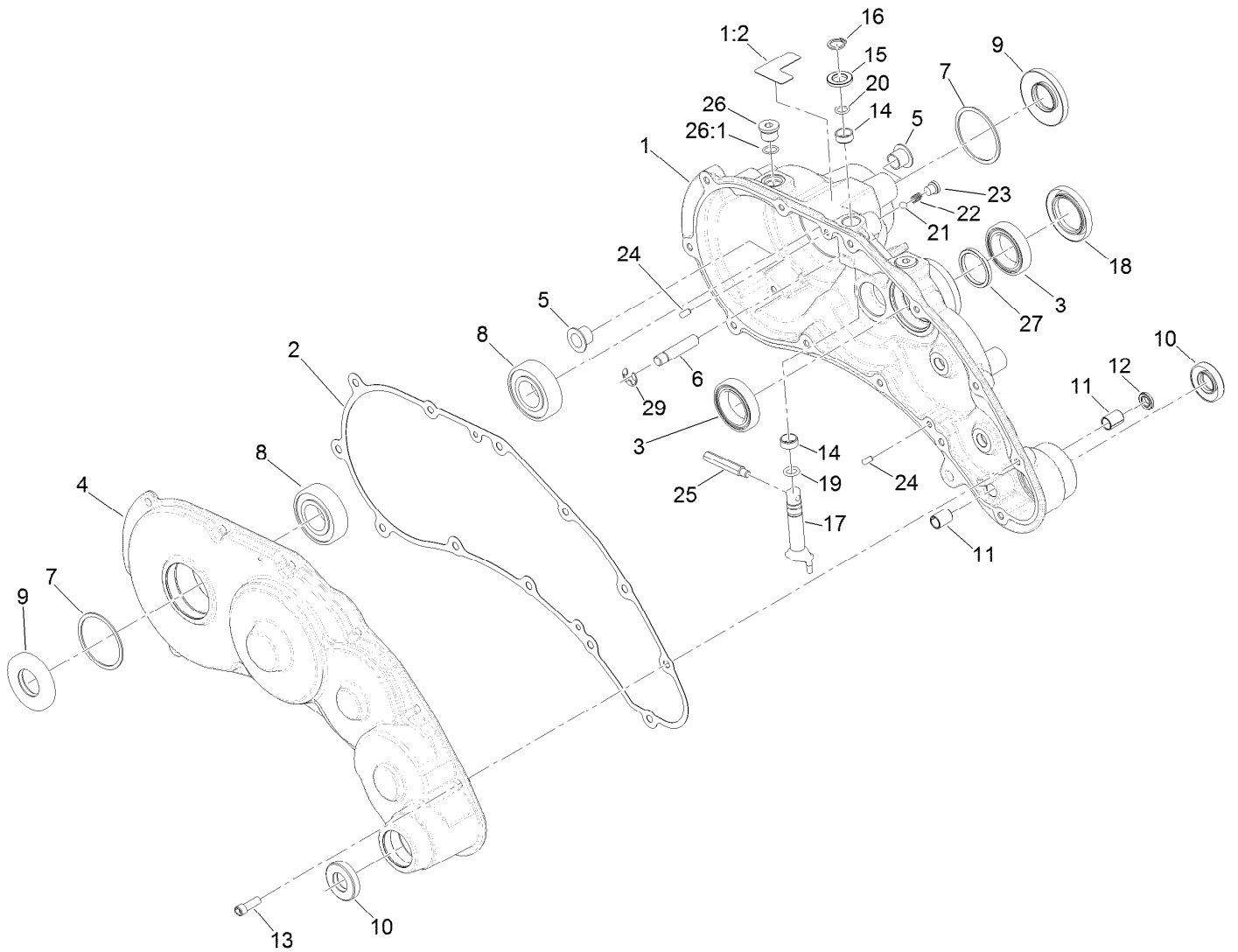
● Obtain parts from www.honda-engines.com



Transmission and Engine Assembly (continued)

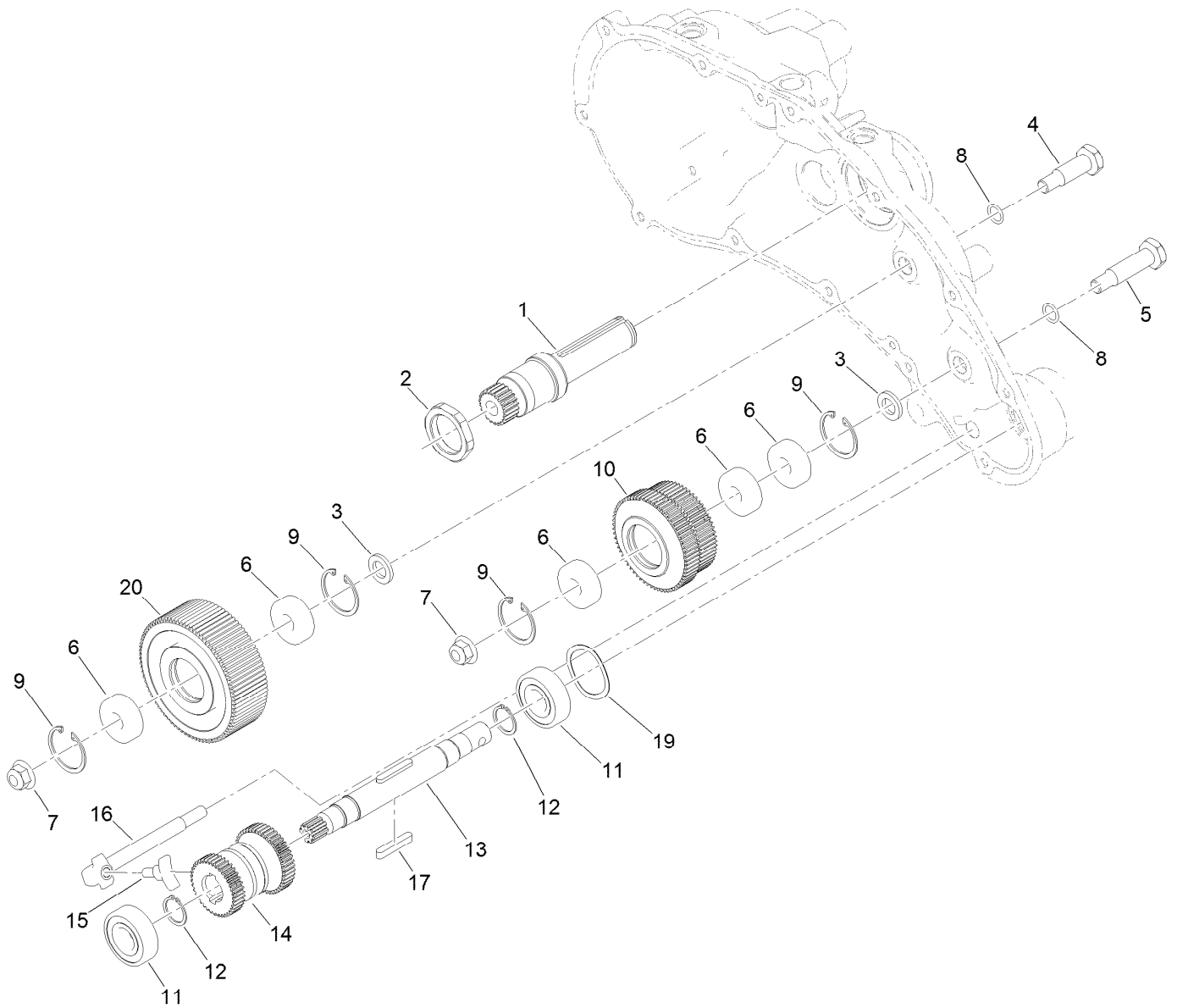
| <i>Ref.</i> | <i>Part Number</i> | <i>Qty.</i> | <i>Description</i> | <i>Ref.</i> | <i>Part Number</i> | <i>Qty.</i> | <i>Description</i> |
|-------------|--------------------|-------------|--------------------|-------------|--------------------|-------------|-----------------------------|
| 34 | 139-4301 | 1 | Bell Housing ASM | 40 | 139-4309 | 1 | Guide-Cable |
| 34:2 | 120-9570 | 1 | Decal-Warning | 41 | 139-4357 | 1 | O-Ring |
| 35 | 138-5545 | 1 | Cover-Clutch | 42 | 132-4619 | 1 | Tube-Drive, Reel |
| 36 | 120-9678 | 2 | Screw-HHF | 43 | 133-9128 | 1 | Spring-Compression, Coupler |
| 37 | 3256-22 | 2 | Washer-Flat | 49 | 138-3549 | 1 | Shaft-Fork |
| 38 | 138-1591 | 1 | Guide-Cable | | | | |
| 39 | 3234-33 | 1 | Screw-HHF | | | | |

● Obtain parts from www.honda-engines.com



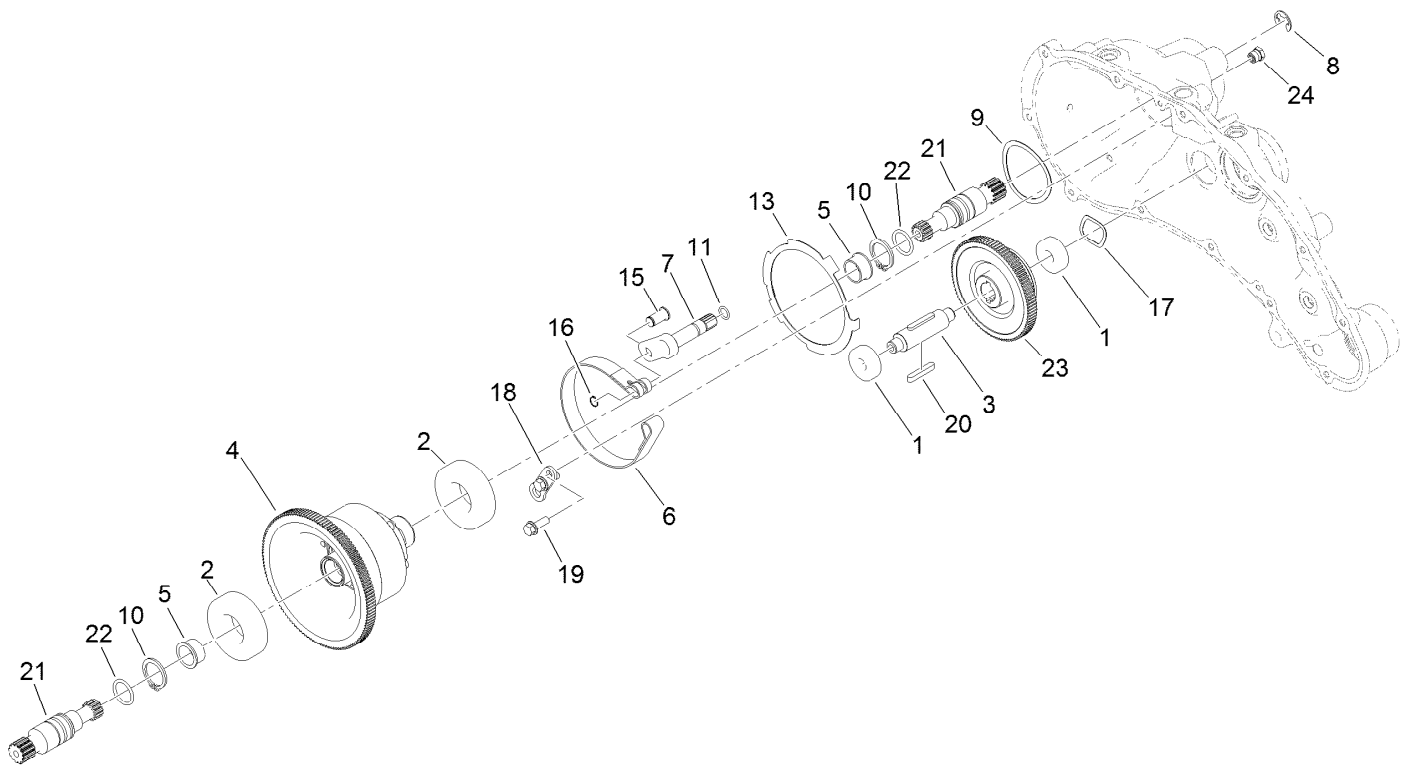
Transmission Gearbox Assembly No. 140-9324 Transmission Case Assembly

| <i>Ref.</i> | <i>Part Number</i> | <i>Qty.</i> | <i>Description</i> | <i>Ref.</i> | <i>Part Number</i> | <i>Qty.</i> | <i>Description</i> |
|-------------|--------------------|-------------|--------------------------|-------------|--------------------|-------------|--------------------------|
| 1 | 139-4306 | 1 | Transmission Housing ASM | 15 | 108-5059 | 1 | Spacer-Bushing |
| 1:2 | 138-1644 | 1 | Decal-Release, Traction | 16 | 32151-61 | 1 | Ring-Retaining |
| 2 | 132-4551 | 1 | Gasket-Transmission | 17 | 130-6816 | 1 | Shaft-Selector, Traction |
| 3 | 121-9281 | 2 | Bearing-Ball | 18 | 140-9325 | 1 | Seal-Grease, High Temp |
| 4 | 138-1603 | 1 | Transmission Cover ASM | 19 | 131-1879 | 1 | O-Ring Seal |
| 5 | 125-5239 | 2 | Bushing-Flange | 20 | 237-22 | 1 | O-Ring |
| 6 | 133-9122 | 1 | Pin-Mount, Brake | 21 | 105-2442 | 1 | Ball-Detent |
| 7 | 32151-92 | 2 | Ring-Retaining | 22 | 105-2443 | 1 | Spring-Detent |
| 8 | 251-82 | 2 | Bearing-Ball | 23 | 131-1825 | 2 | Plug-ORB |
| 9 | 133-9075 | 2 | Seal-Oil | 24 | 121-9249 | 2 | Pin-Dowel |
| 10 | 130-9463 | 2 | Seal-Oil | 25 | 133-9149 | 1 | Pin-Groomer |
| 11 | 131-3038 | 2 | Bushing-Sleeve | 26 | 353-989 | 2 | Plug-Hex, Hollow |
| 12 | 131-3126 | 1 | Seal-Oil | 26:1 | 237-42 | 1 | O-Ring |
| 13 | 140-9233 | 12 | Screw-HSH | 27 | 138-1496 | 1 | Spacer |
| 14 | 121-4738 | 2 | Bushing-Straight | 29 | 105-7004 | 1 | E-Ring |



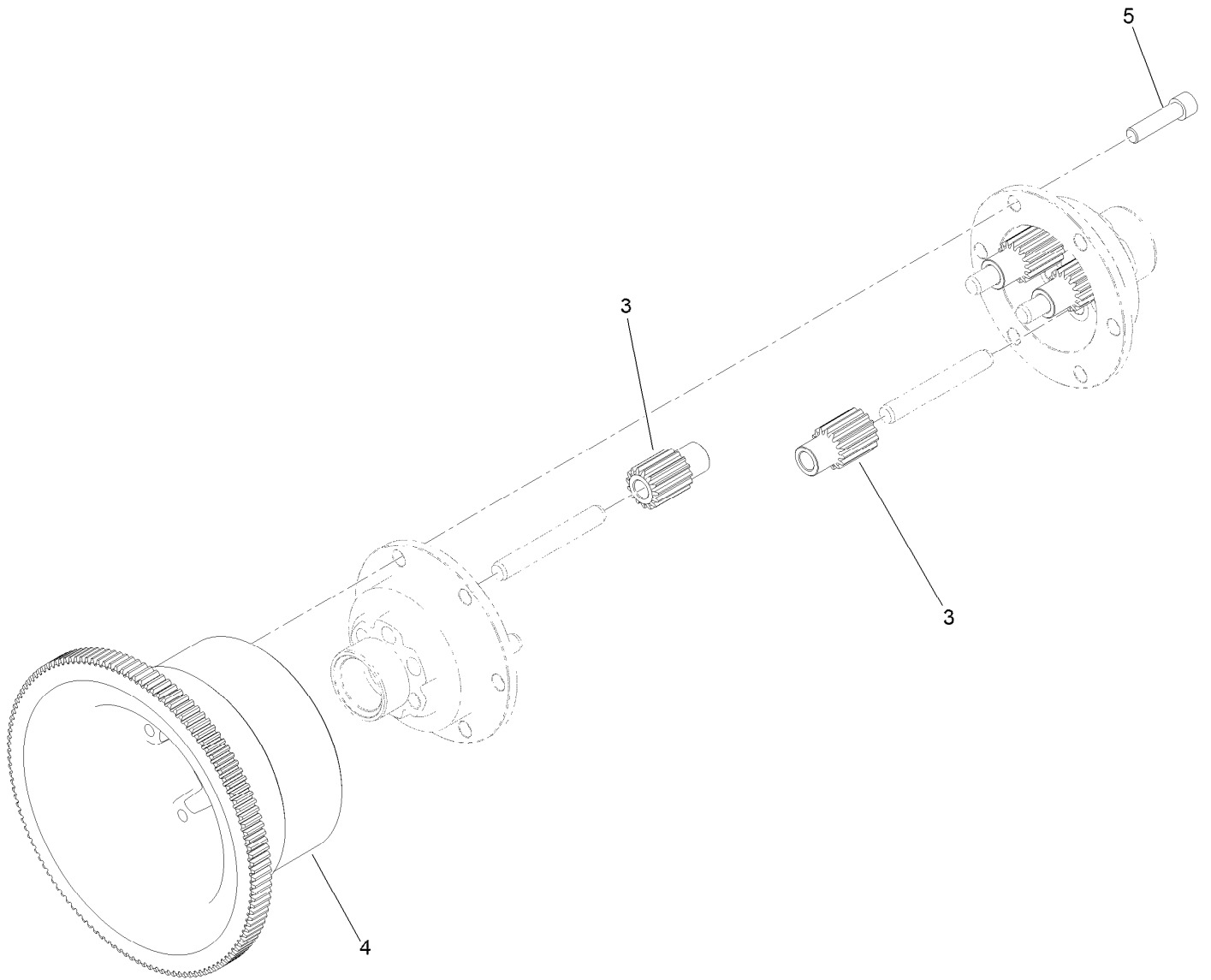
Transmission Gearbox Assembly No. 140-9324 Reel Drive Assembly

| <i>Ref.</i> | <i>Part Number</i> | <i>Qty.</i> | <i>Description</i> | <i>Ref.</i> | <i>Part Number</i> | <i>Qty.</i> | <i>Description</i> |
|-------------|--------------------|-------------|----------------------------|-------------|--------------------|-------------|----------------------------|
| 1 | 138-1509 | 1 | Shaft-Input, 22T | 11 | 38-7820 | 2 | Bearing-Ball |
| 2 | 138-1495 | 1 | Nut-Lock, Thin | 12 | 138-1629 | 2 | Ring-Retaining, EXT (17Mm) |
| 3 | 133-4553 | 2 | Spacer-Bearing | 13 | 139-4359 | 1 | Shaft-Drive, Reel |
| 4 | 133-4558 | 1 | Pin-Bearing, Short | 14 | 130-6834 | 1 | Gear-Spur, Slider |
| 5 | 133-4557 | 1 | Pin-Bearing, Long | 15 | 133-9120 | 1 | Shoe-Clutch, Reel |
| 6 | 49-2410 | 5 | Bearing-Ball | 16 | 133-9121 | 1 | Actuator-Clutch, Reel |
| 7 | 104-8301 | 2 | Nut-HF, NI | 17 | 103-2739 | 2 | Key |
| 8 | 80-8460 | 2 | O-Ring | 19 | 131-3170 | 1 | Spring-Wave |
| 9 | 138-1506 | 4 | Ring-Retaining, Int (32Mm) | 20 | 137-0273 | 1 | Gear-Spur, 85T |
| 10 | 137-0272 | 1 | Gear-Spur, 60T/65T | | | | |



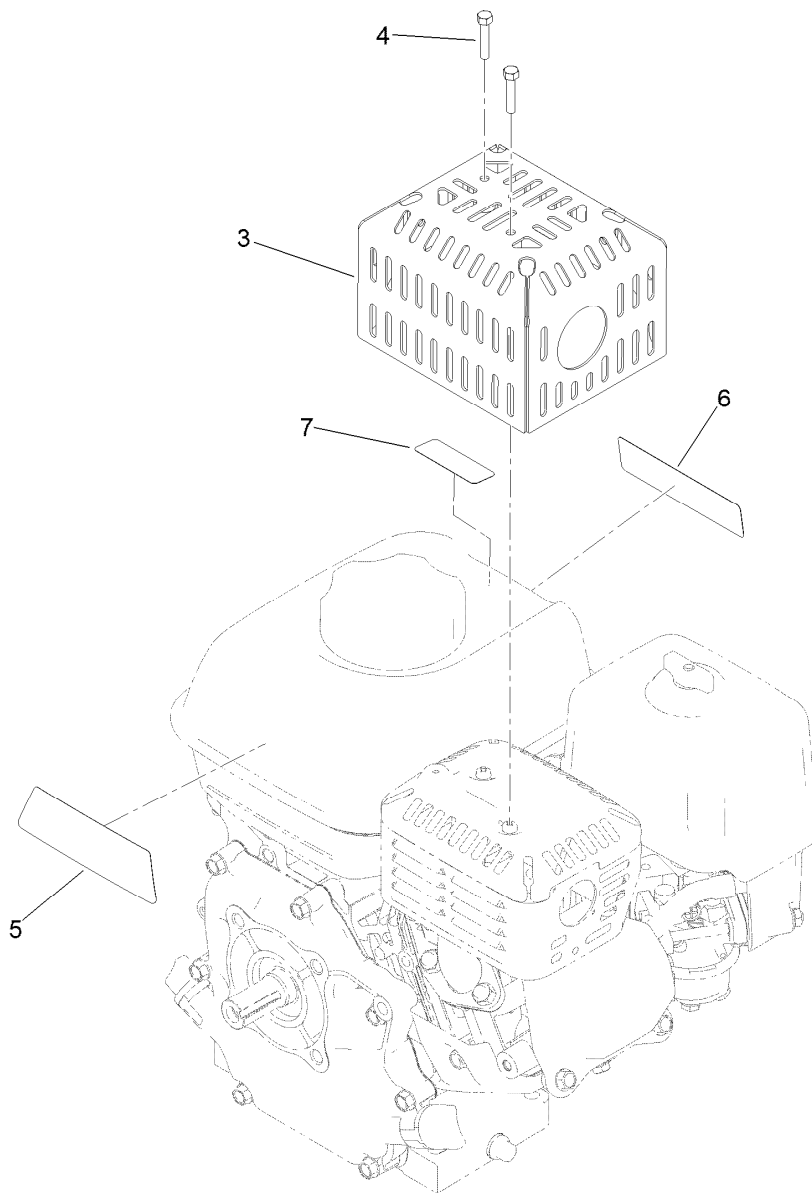
Transmission Gearbox Assembly No. 140-9324 Traction Drive Assembly

| <i>Ref.</i> | <i>Part Number</i> | <i>Qty.</i> | <i>Description</i> | <i>Ref.</i> | <i>Part Number</i> | <i>Qty.</i> | <i>Description</i> |
|-------------|--------------------|-------------|--------------------------|-------------|--------------------|-------------|--------------------------|
| 1 | 49-2410 | 2 | Bearing-Ball | 13 | 140-9236 | 1 | Plate-Retainer, Brake |
| 2 | 251-312 | 2 | Bearing-Ball | 15 | 120-9687 | 1 | Pin-Clevis, Brake |
| 3 | 137-0236 | 1 | Shaft-Slider, Neutral | 16 | 32120-46 | 1 | Ring-Retaining |
| 4 | 132-4555 | 1 | Differential ASM | 17 | 112-5163 | 1 | Washer-Wave |
| 5 | 256-252 | 2 | Bearing-Flange | 18 | 140-9279 | 1 | Plate-Retainer, Pin |
| 6 | 140-9277 | 1 | Band-Brake | 19 | 119-1138 | 2 | Screw-HWH |
| 7 | 132-4550 | 1 | Lever-Brake | 20 | 103-2739 | 2 | Key |
| 8 | 32120-47 | 1 | Ring-Retaining, External | 21 | 130-6841 | 2 | Shaft-Differential |
| 9 | 115-5258 | 1 | Spring-Wire, Flat | 22 | 237-159 | 2 | O-Ring |
| 10 | 32151-36 | 2 | Ring-Retaining | 23 | 137-0276 | 1 | Gear-Spur, Neutral (93T) |
| 11 | 237-22 | 1 | O-Ring | 24 | 133-4589 | 1 | Fitting-Plug |



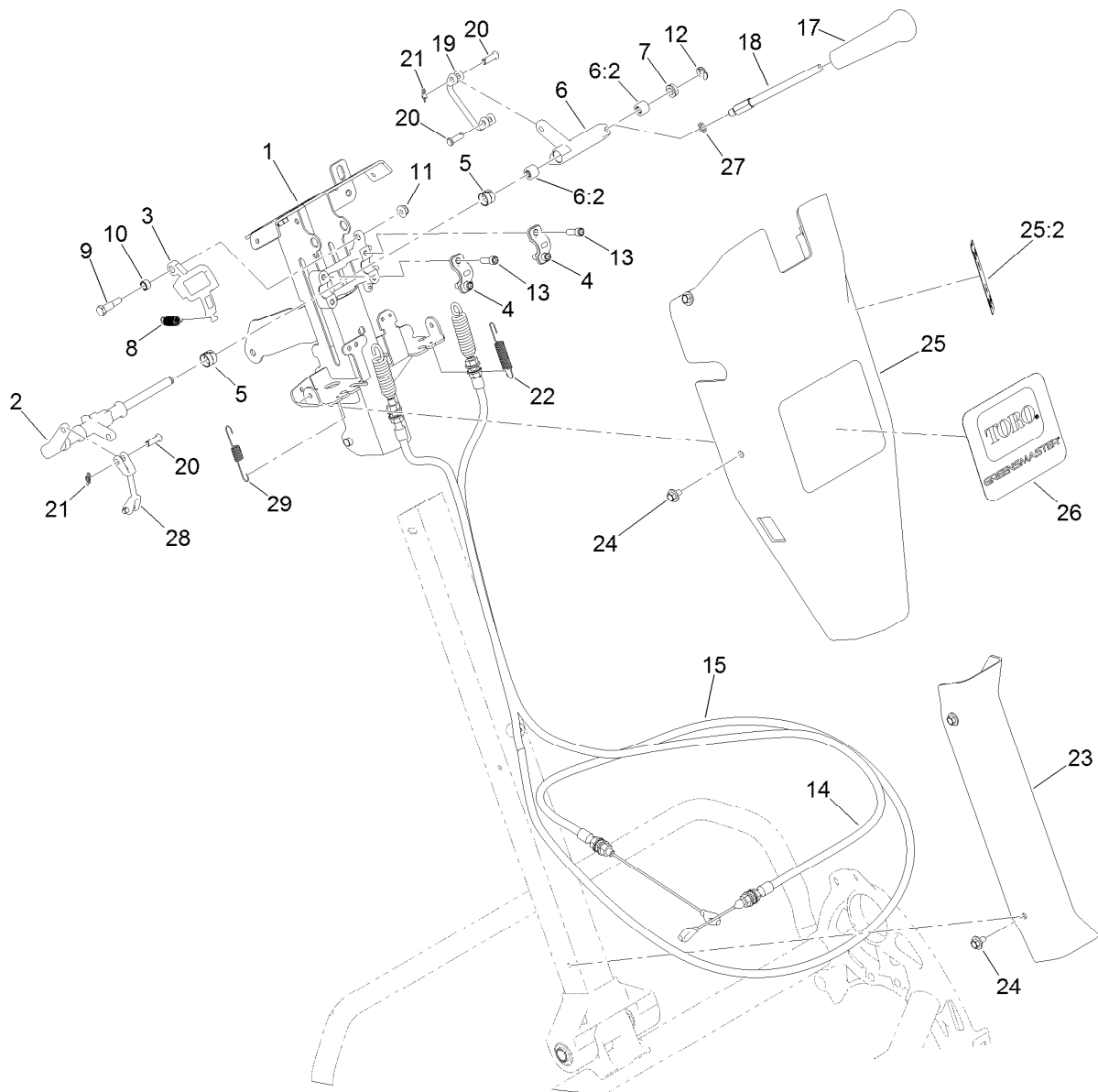
Differential Assembly No. 132-4555

| <i>Ref.</i> | <i>Part Number</i> | <i>Qty.</i> | <i>Description</i> |
|-------------|--------------------|-------------|-------------------------|
| 3 | 130-6840 | 6 | Gear-Spur, Differential |
| 4 | 137-0294 | 1 | Gear-Differential, 127T |
| 5 | 3274-26 | 6 | Screw-HSH |



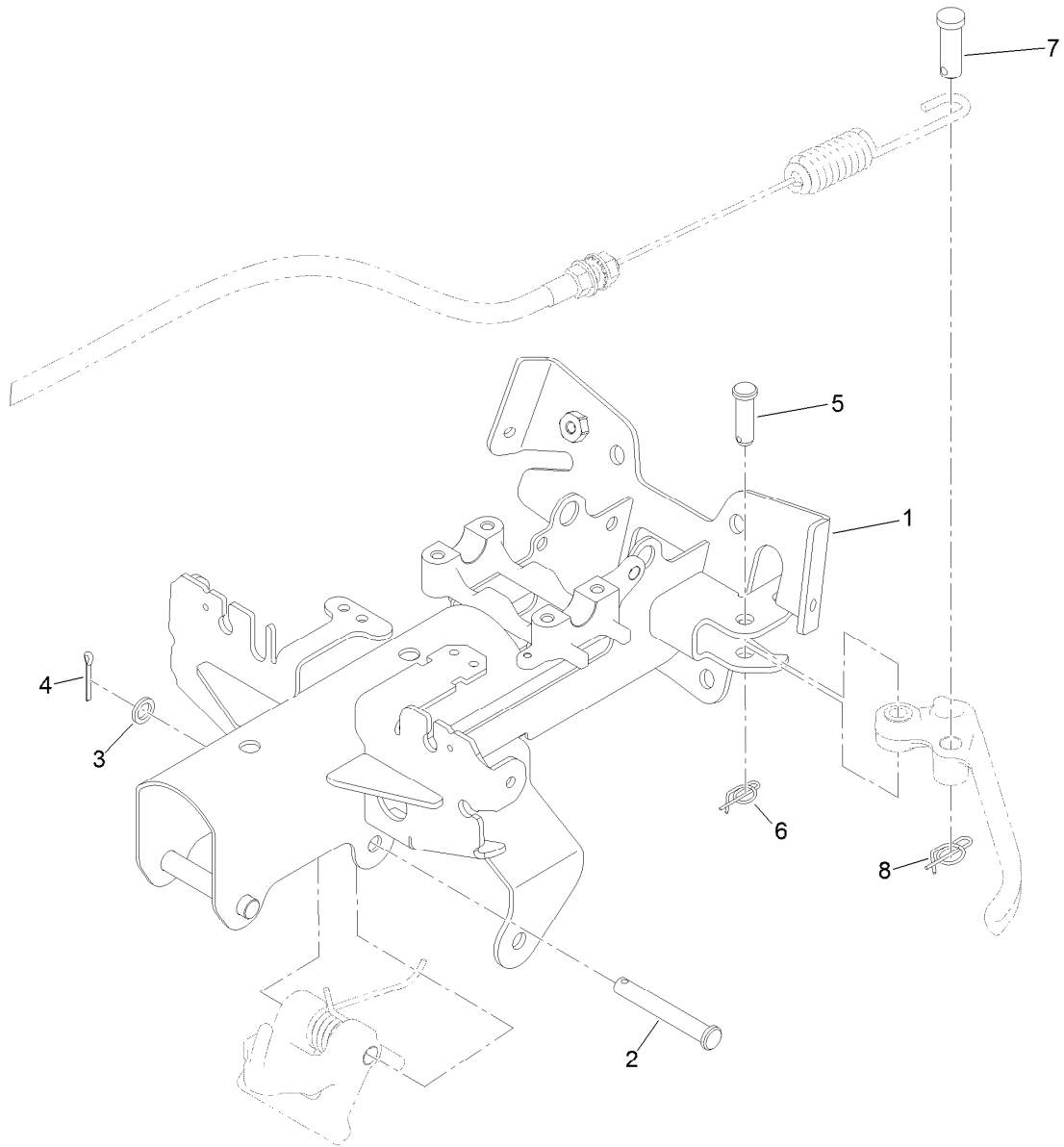
Engine Assembly No. 138-2142

| <i>Ref.</i> | <i>Part Number</i> | <i>Qty.</i> | <i>Description</i> |
|-------------|--------------------|-------------|------------------------|
| 3 | 138-2128-03 | 1 | Guard-Muffler |
| 4 | 87-5150 | 2 | Screw-HH |
| 5 | 138-2138 | 1 | Decal-Warning, Engine |
| 6 | 133-8062 | 1 | Decal-Arrestor, Spark |
| 7 | 130-8322 | 1 | Decal-Warning, Ethanol |



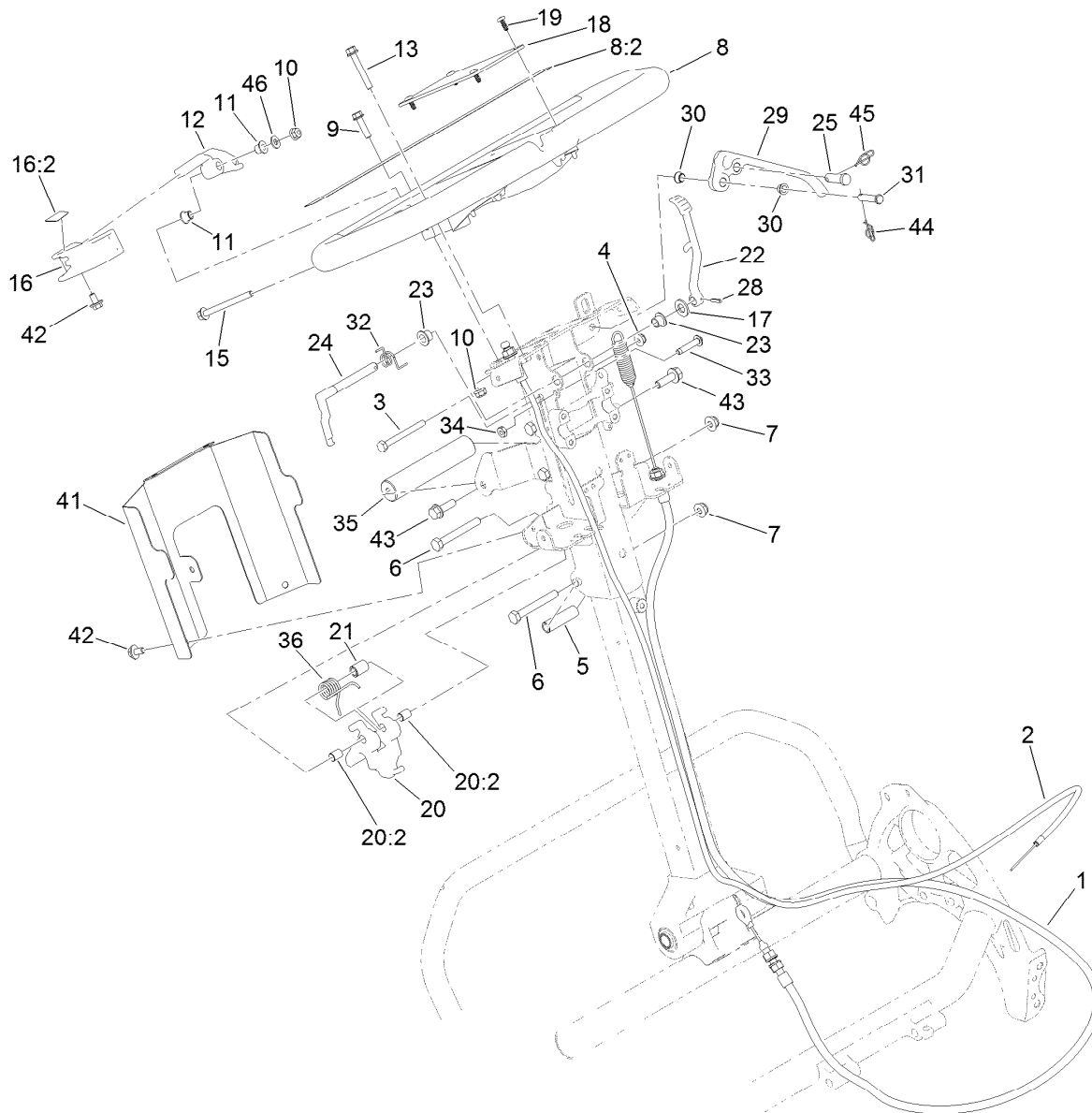
Reel Controls and Covers Assembly

| Ref. | Part Number | Qty. | Description | Ref. | Part Number | Qty. | Description |
|------|-------------|------|---------------------------------|------|-------------|------|-----------------------------|
| 1 | 140-9323 | 1 | Kit- Upper Receiver Replacement | 15 | 137-0181 | 1 | Cable-Traction |
| 2 | 140-9305 | 1 | Shaft-Main, Controls | 17 | 104-9760 | 1 | Knob-Black |
| 3 | 137-0266 | 1 | Cam-Latch, Upper | 18 | 137-0190 | 1 | Rod-Handle, Reel Lever |
| 4 | 138-1513 | 2 | Clamp-Shaft, Control | 19 | 137-0232 | 1 | Connector-Clevis |
| 5 | 137-0263 | 2 | Bushing-Split | 20 | 1-808265 | 4 | Pin-Clevis |
| 6 | 137-0312 | 1 | Reel Lever ASM | 21 | 138-1587 | 2 | Clip-Pin, Cotter |
| 6:2 | 138-1637 | 2 | Bearing-Needle | 22 | 138-1536 | 1 | Spring-Extension |
| 7 | 131-3187 | 1 | Seal-V-Ring | 23 | 138-1479 | 1 | Cover-Handle, Lower |
| 8 | 140-3410 | 1 | Spring-Extension | 24 | 46-6810 | 8 | Screw And Washer ASM |
| 9 | 137-0313 | 1 | Screw-Shoulder | 25 | 139-4304 | 1 | Control Upper Cover ASM |
| 10 | 137-0346 | 1 | Spacer-Latch, Bail | 25:2 | 138-1589 | 1 | Decal-Reel Drive Engagement |
| 11 | 104-7201 | 1 | Nut-HF | 26 | 138-1580 | 1 | Decal-Greensmaster 1021 |
| 12 | 32151-47 | 1 | Ring-Retaining | 27 | 75-5470 | 1 | Spacer-Bearing |
| 13 | 3274-8 | 4 | Screw-HSH | 28 | 138-1592 | 1 | Connector-Clevis |
| 14 | 137-0180 | 1 | Cable-Clutch | 29 | 140-3417 | 1 | Spring-Extension |



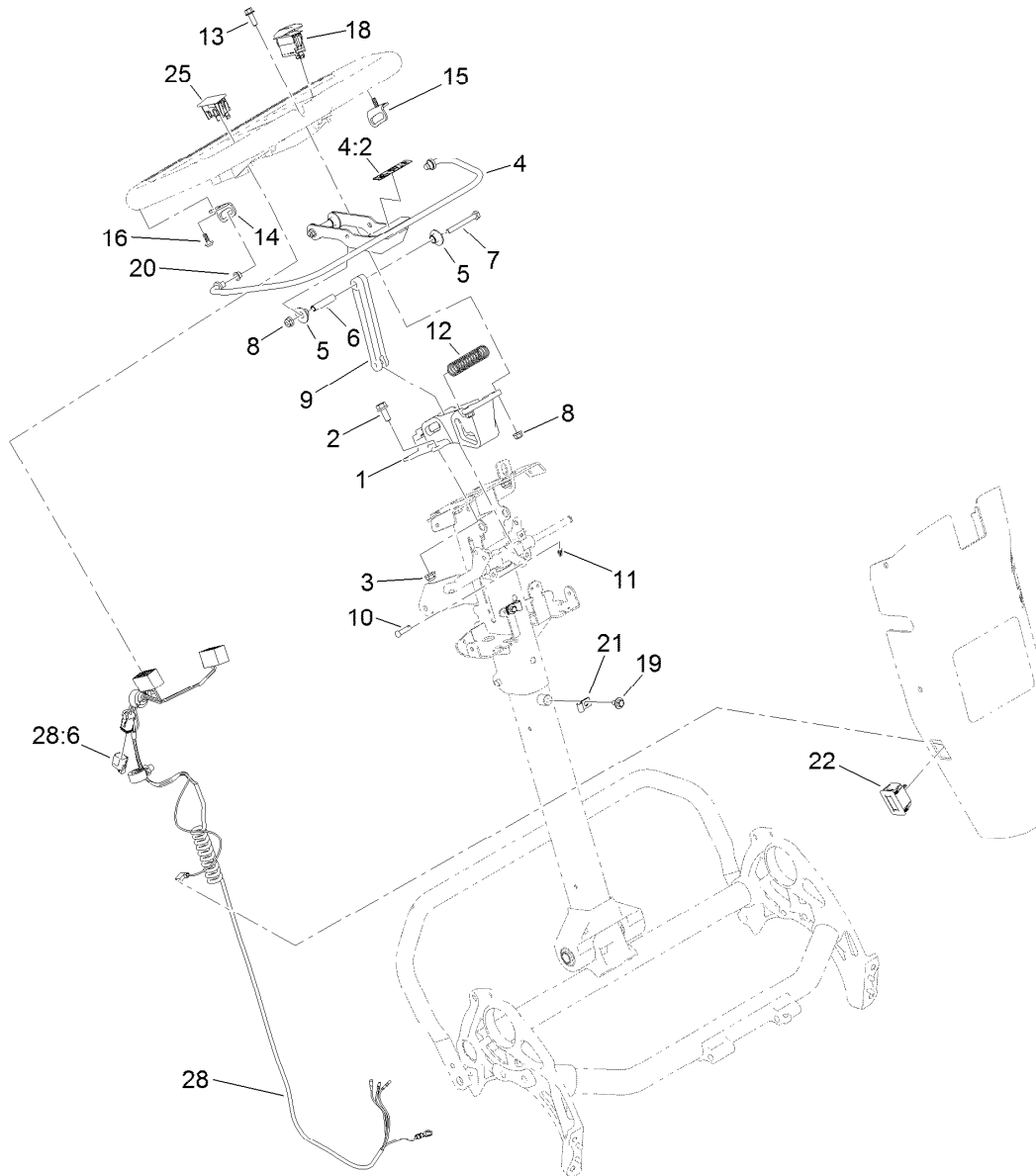
Upper Receiver Assembly No. 140-9323

| <i>Ref.</i> | <i>Part Number</i> | <i>Qty.</i> | <i>Description</i> |
|-------------|--------------------|-------------|------------------------|
| 1 | 140-9306-0P | 1 | Upper Receiver, Welded |
| 2 | 110-0618 | 1 | Pin-Clevis |
| 3 | 75-5470 | 1 | Spacer-Bearing |
| 4 | 3272-6 | 1 | Pin-Cotter |
| 5 | 283-61 | 1 | Pin-Yoke |
| 6 | 116-6639 | 1 | Pin-Cotter, Locking |
| 7 | 1-808285 | 1 | Pin-Clevis |
| 8 | 140-9312 | 1 | Pin-Cotter, Locking |



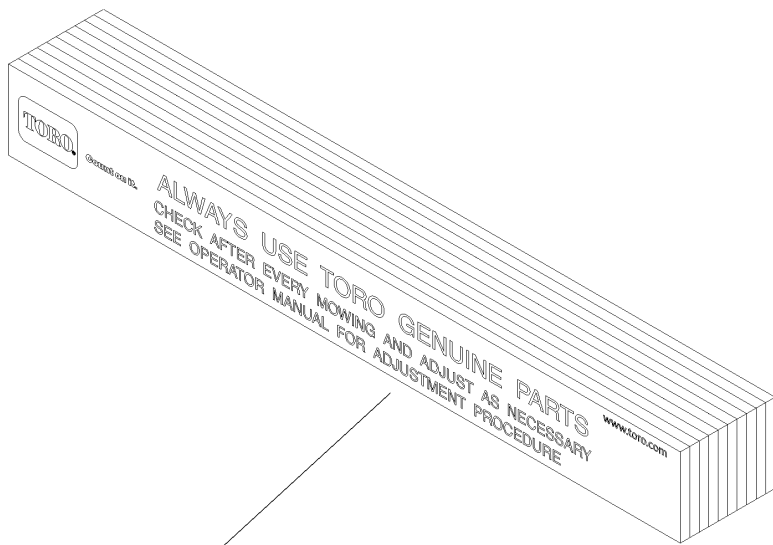
Upper Handle Assembly

| Ref. | Part Number | Qty. | Description | Ref. | Part Number | Qty. | Description |
|------|-------------|------|--------------------------|------|-------------|------|------------------------|
| 1 | 140-9318 | 1 | Cable ASM, Brake | 20:2 | 137-0308 | 2 | Bushing-Igus |
| 2 | 137-0182 | 1 | Cable-Throttle | 21 | 137-0318 | 1 | Spacer-Spring |
| 3 | 321-15 | 1 | Screw-HH | 22 | 140-3377 | 1 | Lever-Lock, Brake |
| 4 | 104-7201 | 1 | Nut-HF | 23 | 138-1514 | 2 | Bushing-Flange |
| 5 | 110-0618 | 1 | Pin-Clevis | 24 | 138-1573 | 1 | Latch-Brake |
| 6 | 75-5470 | 1 | Spacer-Bearing | 25 | 1-808285 | 1 | Pin-Clevis |
| 7 | 3272-6 | 1 | Pin-Cotter | 28 | 32121-73 | 1 | Pin-Roll |
| 8 | 138-1645 | 1 | Handle ASM | 29 | 140-9298 | 1 | Lever-Brake |
| 8:2 | 138-5532 | 1 | Decal-Warning, General | 30 | 138-5538 | 2 | Bushing-Flange |
| 9 | 120-4654 | 2 | Screw-HHF | 31 | 283-6 | 1 | Pin-Clevis |
| 10 | 119-4040 | 3 | Nut-Flange, NI | 32 | 138-1518 | 1 | Spring-Brake, Torsion |
| 11 | 138-3538 | 2 | Bushing-Flange | 33 | 132-6777 | 1 | Screw-TTH |
| 12 | 138-1636 | 1 | Arm-Throttle | 34 | 120-9695 | 1 | Nut-Jam |
| 13 | 138-5527 | 1 | Screw-HHF | 35 | 138-1535 | 1 | Handle-Assist, Lift |
| 15 | 140-9317 | 1 | Screw-HHF,Lock | 36 | 138-1481 | 1 | Spring-Handle, Torsion |
| 16 | 139-4303 | 1 | Throttle Lever ASM | 41 | 138-5530-03 | 1 | Cover-Bottom, Controls |
| 16:2 | 138-5534 | 1 | Decal-Throttle | 42 | 46-6810 | 3 | Screw And Washer ASM |
| 17 | 100-4852 | 1 | Washer-Hardened | 43 | 115-5142 | 2 | Screw-HHF |
| 18 | 138-5514 | 1 | Plate-Notepad, Handle | 44 | 116-6639 | 1 | Pin-Cotter, Locking |
| 19 | 127-6843 | 4 | Screw-Plastite, Torx Pan | 45 | 140-9312 | 1 | Pin-Cotter, Locking |
| 20 | 137-0317 | 1 | Handle Adjuster ASM | 46 | 139-1323 | 1 | Washer-Spcl |

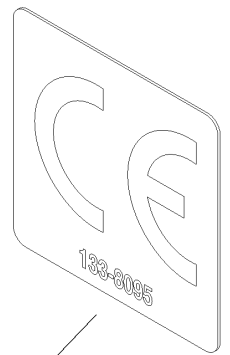


Traction Bail Assembly

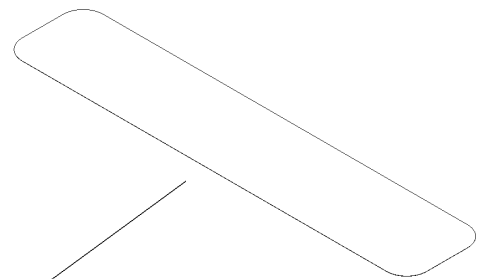
| <i>Ref.</i> | <i>Part Number</i> | <i>Qty.</i> | <i>Description</i> | <i>Ref.</i> | <i>Part Number</i> | <i>Qty.</i> | <i>Description</i> |
|-------------|--------------------|-------------|----------------------|-------------|--------------------|-------------|----------------------------|
| 1 | 138-5524 | 1 | Mount-Handle | 13 | 120-9678 | 2 | Screw-HHF |
| 2 | 3234-47 | 2 | Screw-HHF | 14 | 138-3539 | 1 | Bracket-Bail, RH |
| 3 | 119-4041 | 2 | Nut-HF | 15 | 138-3540 | 1 | Bracket-Bail, LH |
| 4 | 139-4302 | 1 | Clutch Bail ASM | 16 | 138-5775 | 2 | Screw-Delta Point |
| 4:2 | 138-5533 | 1 | Decal-Bail, Traction | 18 | 122-1497 | 1 | Switch-Rocker, On-None-Off |
| 5 | 138-3466 | 4 | Bushing-Flange | 19 | 46-6810 | 2 | Screw And Washer ASM |
| 6 | 138-3465 | 2 | Spacer-Tube | 20 | 138-5538 | 2 | Bushing-Flange |
| 7 | 321-18 | 2 | Screw-HH | 21 | 2412-91 | 2 | Clamp |
| 8 | 119-4040 | 4 | Nut-Flange, NI | 22 | 119-1347 | 1 | Meter-Hour |
| 9 | 138-5515 | 1 | Link-Bail, Clutch | 25 | 119-7791 | 1 | Plug-Hole, Carling |
| 10 | 353-322 | 1 | Pin-Clevis | 28 | 122-1416 | 1 | Harness-Wire |
| 11 | 138-1587 | 1 | Clip-Pin, Cotter | 28:6 | 32180-091 | 1 | Cap-Dust, 2 Way |
| 12 | 138-3468 | 1 | Spring-Compression | | | | |



1



8



2

Miscellaneous Parts Assembly

| Ref. | Part Number | Qty. | Description |
|------|-------------|------|----------------------------|
| 1 | 125-5610 | 1 | Paper-Reel, Toro (10 Pack) |
| 2 | 140-5531 | 1 | Shim-Toro Reel (.002In) |
| 8 | 133-8095 | 1 | Decal-CE |

Attachments and Accessories

For 04830 Greensmaster 1021 Mower

| Product Name | Model/Part |
|--|-------------|
| 8-Blade 21in Fixed Cutting Unit | 04832 |
| 11-Blade 21in Fixed Cutting Unit..... | 04833 |
| 14-Blade 21in Fixed Cutting Unit | 04834 |
| Premium Engine Oil 10w30 (55 Gallon Drum) | 121-6392 |
| Premium Engine Oil 10w30 (5 Gallon Pail) | 121-6393 |
| Paspalum Wiehle Roller, Greensmaster Flex 1021 Traction Unit | 04028 |
| Extended Wiehle Roller, 21in..... | 04141 |
| 21 Inch Interlaced Narrow Wiehle | 04805 |
| 21in Full Roller..... | 04815 |
| 21in Wide Wiehle Roller..... | 04825 |
| Wide Wiehle Steel Roller Asm | 107-3514 |
| Wiehle Roller ASM, 21 Inch | 140-3363 |
| Front Brush for Wide Wiehle Roller (Qty 1) | 115-7378 |
| Front Brush for Full Roller (Qty 1) | 115-7379 |
| Front Comb for Wide Wiehle Roller (Qty 1) | 115-7381 |
| Front Comb for Full Roller (Qty 1) | 115-7382 |
| Front Scraper for Wide Wiehle Roller (Qty 1) | 125-3504 |
| Front Scraper for Full Roller (Qty 1) | 125-3505 |
| Front Brush for Interlaced Wiehle Roller (Qty 1) | 139-4383 |
| Front Scraper for Interlaced Wiehle Roller (Qty 1)..... | 139-4385 |
| Universal Groomer Drive | 04707 |
| 21in Soft Grooming Brush..... | 04270 |
| 21in Stiff Grooming Brush..... | 04271 |
| 21in Twin Tip Groomer Reel | 04802 |
| 21in Soft Grooming Brush Kit..... | 127-1547 |
| 21in Stiff Grooming Brush Kit..... | 127-1548 |
| Roller Extension Kit | 115-7361 |
| Access Backlap Kit | 139-4342 |
| Extended HOC Arm | 99-4286 |
| Bedbar | 133-4525-01 |
| Bedknife-Tournament, Extended | 108-4302 |
| Bedknife-Microcut, Extended..... | 108-4303 |
| Bedknife-EDGEMAX, Microcut..... | 115-1880 |
| Bedknife-EDGEMAX, Tournament Cut | 115-1881 |
| Bedknife-EDGEMAX, Microcut Short | 139-4320 |
| Bedknife-EDGEMAX, Tournament Short | 139-4321 |
| Bedknife-Fairway..... | 63-8610 |
| Bedknife-Microcut..... | 93-4262 |
| Bedknife-Tournament Cut..... | 93-4263 |
| Bedknife-Low Cut | 93-4264 |
| Bedknife-Highcut | 94-6392 |
| Blade-GR Groomer, Twin Tip (0.032in)..... | 140-5580 |
| Blade-GR Groomer, Helix (0.028in) | 140-5581 |
| Blade-GR Groomer, Helix (0.015" in)..... | 140-5582 |
| Wheel Kit | 04123 |
| Light Kit (2019+) | 04135 |

Attachments and Accessories (continued)

| | |
|--|----------|
| Push Broom Kit, Walk Greensmower (2019+) | 04136 |
| Backlap Kit..... | 04800 |
| Wireless Hour Meter Kit..... | 139-4369 |
| MVP Kit-Cutting Unit Re-Build | 121-2637 |
| Grease-Synthetic..... | 136-8595 |
| Turf Evaluator | 04399 |
| Toro Reel Paper (10 Pack)..... | 125-5610 |
| Angle Indicator..... | 131-6828 |
| Angle Indicator Mount..... | 131-6829 |
| Shim-TORO Reel (.002in) | 140-5531 |
| Height-of-Cut Bar..... | 94-9010 |
| Trans Pro 80 Tow-Behind Trailer..... | 04238 |
| Flat Ramp | 04245 |
| Rail Ramp Kit (Update)..... | 04247 |
| Trans Pro 100 Tow-Behind Trailer..... | 04240 |
| Rail Ramp Kit TP100 | 138-5011 |
| Retention Kit | 139-2683 |
| Retention Straps Kit..... | 139-6477 |

Notes:



Count on it.