



Count on it.

Parts Catalog

**RP-1400D Reversible Plate
Compactor**

Model No. 68075—Serial No. 313000001 and Up



Ordering Replacement Parts

To order replacement parts, please supply the part number, the quantity, and the description of each part desired.

Understanding Reference Numbers

Each identified part in an illustration has a reference number. The reference number for a part also appears in the parts list, along with other information about the part.

This catalog uses two special reference number formats, one to indicate parts in a service assembly and another to indicate the quantity of a given part in an illustration.

Service Assembly Reference Numbers

Parts in service assemblies have reference numbers in the form a:b. The a represents the reference number of the entire service assembly and the b represents a sequential number unique to each part within the service assembly.

For example, a wheel assembly might be identified by reference number 6, the tire by 6:1, the valve by 6:2, and the wheel by 6:3. When you order the assembly identified by reference number 6, you receive all parts identified by reference numbers 6:1, 6:2, and 6:3. However, you may also order any part individually. Reference numbers of this type appear in illustration and in parts lists.

Reference Numbers Indicating Quantity

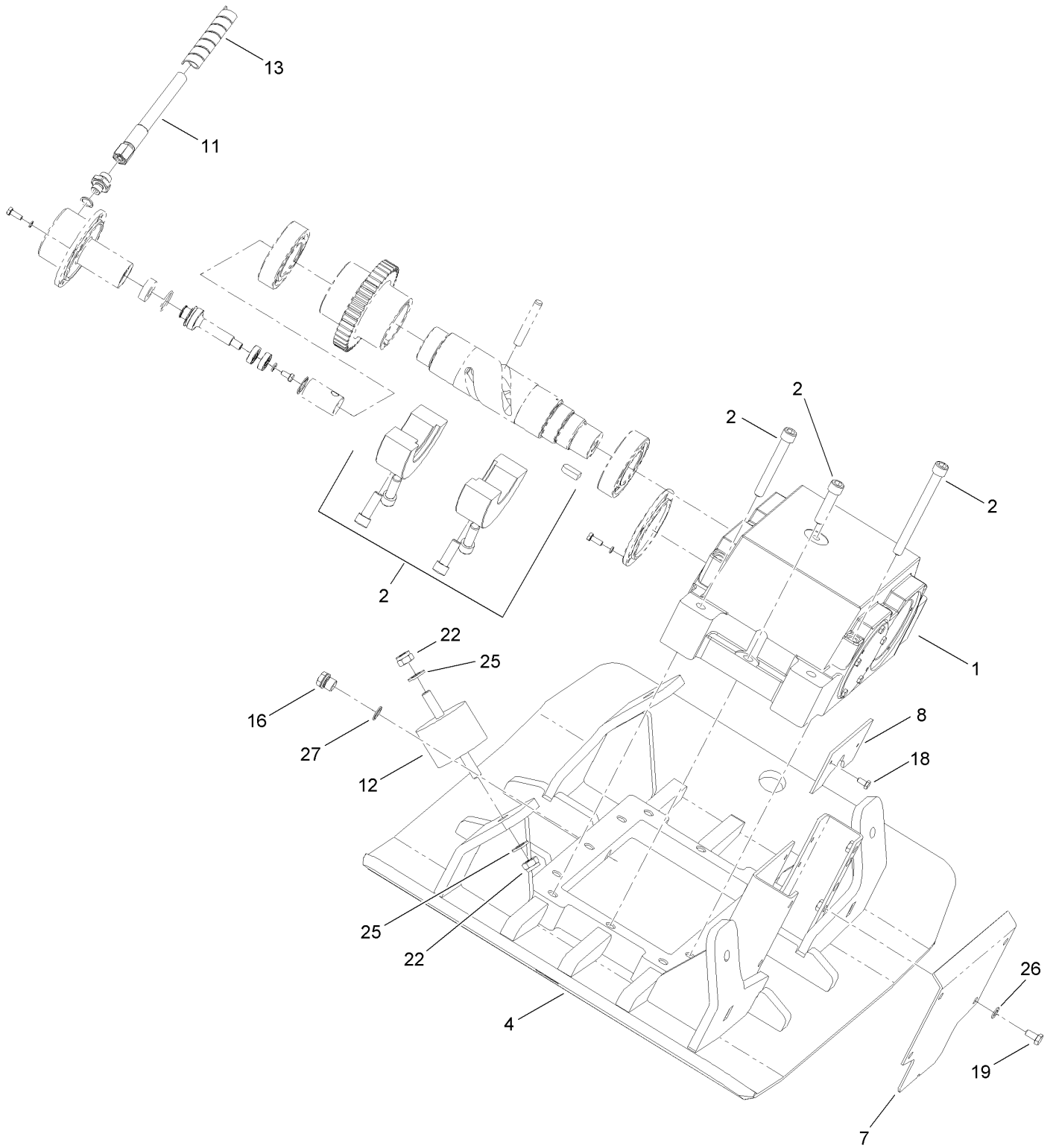
In an illustration, if a reference number indicates more than one part, the reference number has the form nX y. The n represents the quantity of the part, the X is the multiplication symbol, and the y represents the reference number.

For example, in an illustration, the reference number 2X 37 means that two of the parts identified by reference number 37 are indicated.

Contents

Bed Plate Assembly	4
Vibratory Assembly No. 127-5069	6
Weight Kit Assembly No. 127-5068	8
Engine Assembly	10
Engine Plate Assembly	12
Frame and Cover Assembly	14
Control Arm Assembly	16
Control and Handle Assembly	18
Decals	20

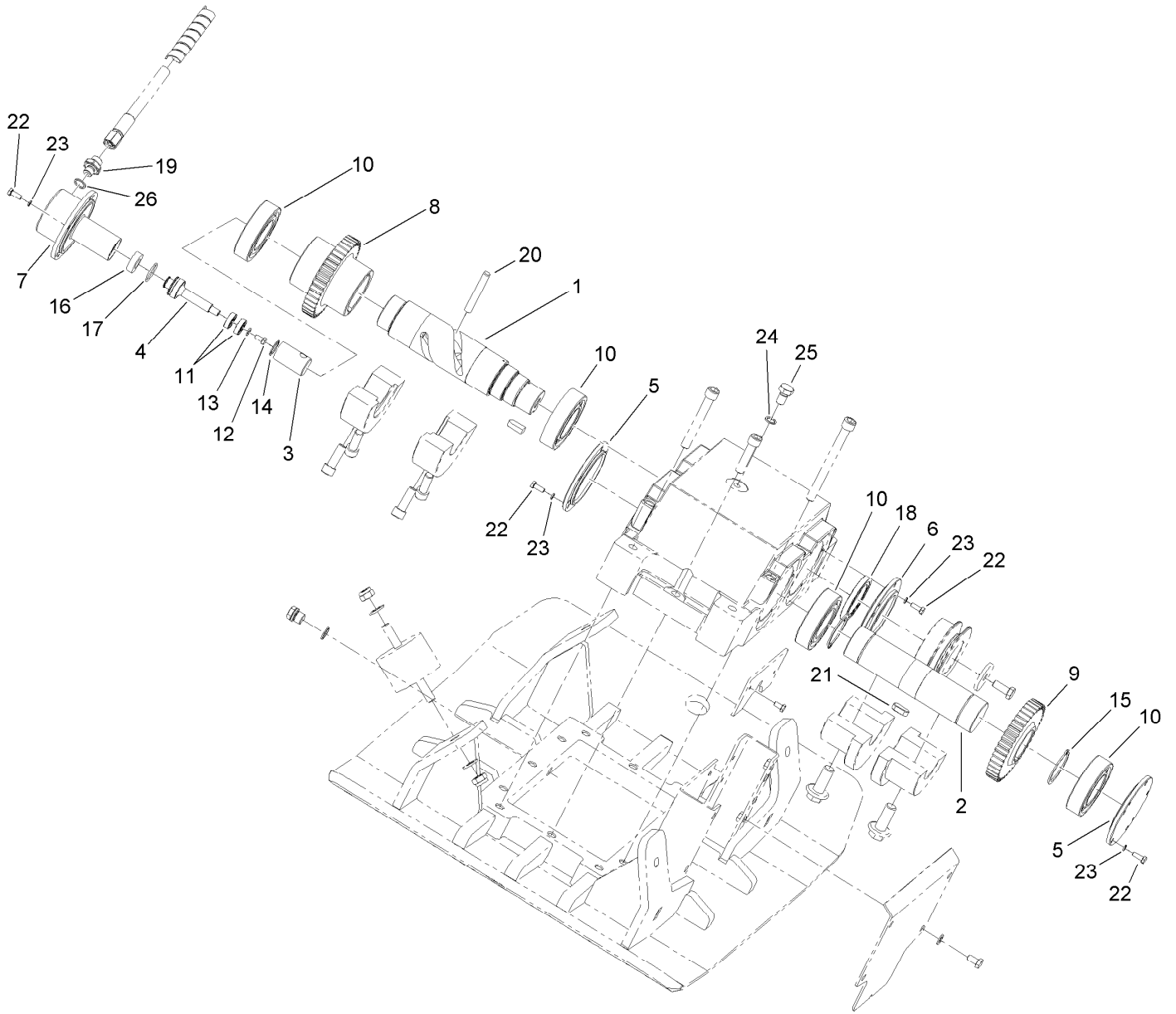
Bed Plate Assembly



Bed Plate Assembly (continued)

<i>Ref.</i>	<i>Part Number</i>	<i>Qty.</i>	<i>Description</i>	<i>Ref.</i>	<i>Part Number</i>	<i>Qty.</i>	<i>Description</i>
1	127-5069	1	Vibratory ASM	16	127-5078	1	Plug
2	127-5068	1	Weight Kit ASM	18	127-5242	3	Bolt
4	127-5455	1	Plate	19	127-5243	4	Bolt
7	127-5238	1	Cover-Front	22	127-5244	4	Nut
8	127-5239	1	Cover-Back	25	127-5083	8	Washer
11	127-5240	1	Hose-HYD	26	127-5104	4	Washer
12	127-5456	4	Mount-Rubber	27	127-5087	1	Ring
13	127-5075	1	Cover-Hose				

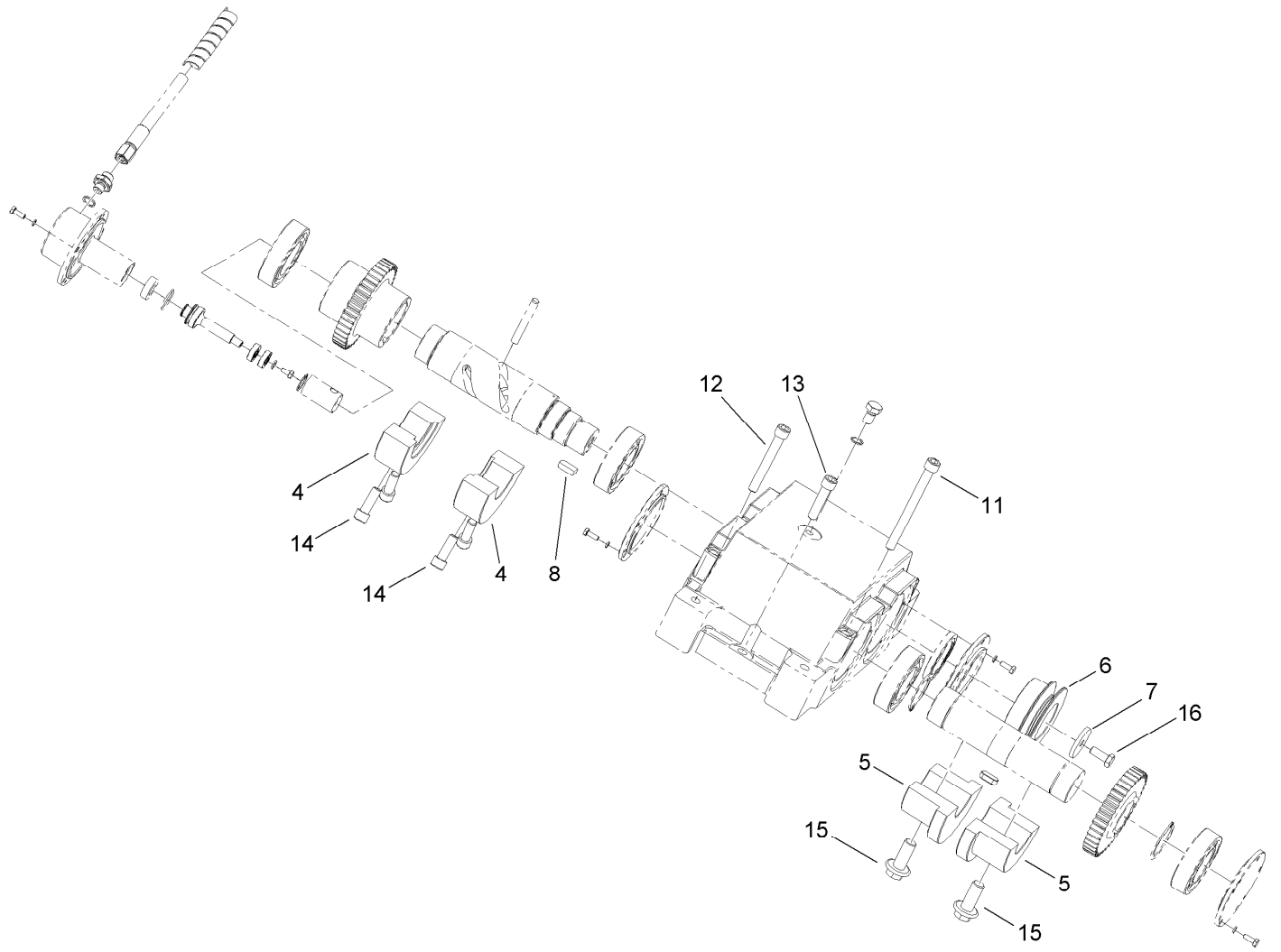
Vibratory Assembly No. 127-5069



Vibratory Assembly No. 127-5069 (continued)

<i>Ref.</i>	<i>Part Number</i>	<i>Qty.</i>	<i>Description</i>	<i>Ref.</i>	<i>Part Number</i>	<i>Qty.</i>	<i>Description</i>
1	127-5395	1	Shaft-Hollow	14	127-5407	1	Ring
2	127-5396	1	Shaft	15	127-5408	2	Ring
3	127-5397	1	Slide-Valve	16	127-5409	1	Spacer
4	127-5398	1	Pistion	17	127-5410	1	O-Ring
5	127-5399	2	Cover	18	127-5411	1	Spacer
6	127-5400	1	Cover	19	127-5076	1	Socket
7	127-5401	1	Cover	20	127-5412	1	Pin
8	127-5402	1	Gear	21	127-5413	1	Key
9	127-5403	1	Gear	22	127-5414	20	Bolt
10	127-5404	4	Bearing	23	127-5415	20	Washer
11	127-5405	2	Bearing	24	127-5416	1	Ring-Sealing
12	127-5242	1	Bolt	25	127-5417	1	Bolt
13	127-5406	1	Washer	26	127-5418	1	Ring-Sealing

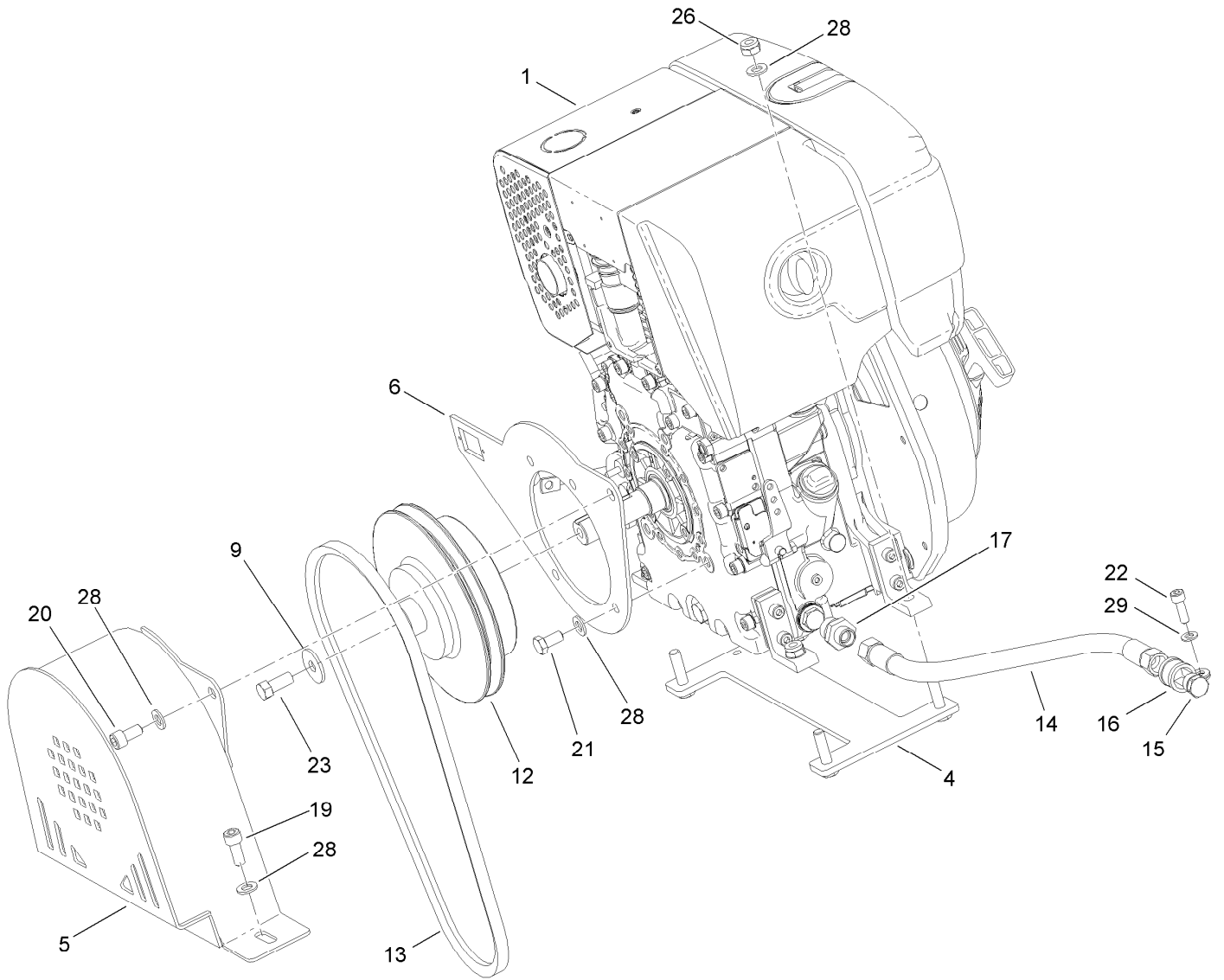
Weight Kit Assembly No. 127-5068



Weight Kit Assembly No. 127-5068 (continued)

<i>Ref.</i>	<i>Part Number</i>	<i>Qty.</i>	<i>Description</i>	<i>Ref.</i>	<i>Part Number</i>	<i>Qty.</i>	<i>Description</i>
4	127-5386	2	Weight I	12	127-5392	4	Bolt
5	127-5387	2	Weight I I	13	127-5393	2	Bolt
6	145-1161	1	Pulley	14	127-5359	4	Bolt
7	127-5389	1	Washer	15	127-5394	2	Bolt
8	127-5390	1	Adapter	16	33115-020	1	Screw-HH
11	127-5391	6	Bolt				

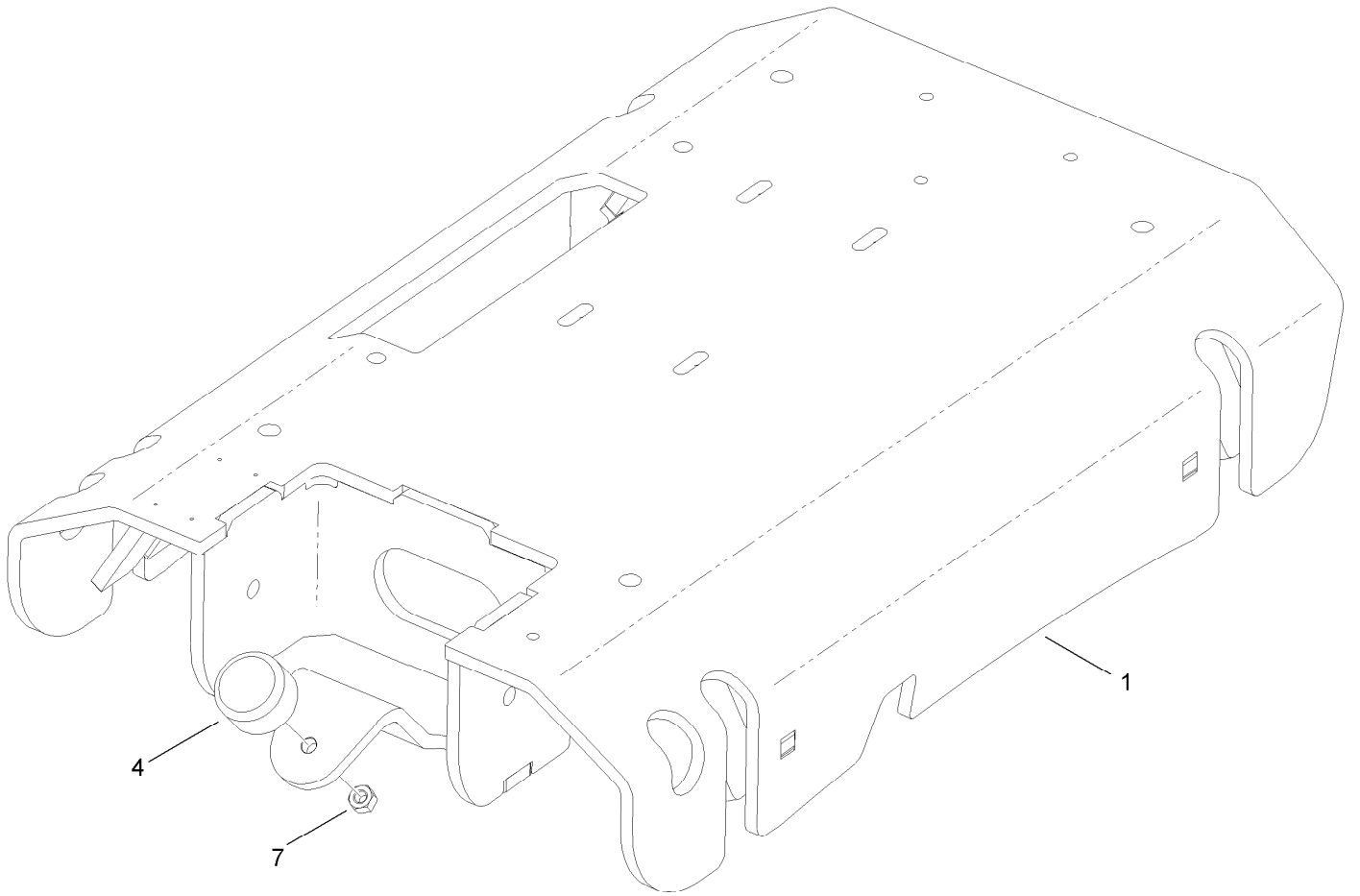
Engine Assembly



Engine Assembly (continued)

<i>Ref.</i>	<i>Part Number</i>	<i>Qty.</i>	<i>Description</i>	<i>Ref.</i>	<i>Part Number</i>	<i>Qty.</i>	<i>Description</i>
1	127-5457	1	Engine ASM	17	127-5353	1	Socket-Straight
4	127-5458	1	Control-Engine	19	127-5180	2	Bolt
5	127-5459	1	Cover-Pulley	20	127-5101	1	Bolt
6	127-5460	1	Holder-Cover	21	33115-020	4	Screw-HH
9	127-5433	1	Washer	22	127-5439	1	Bolt
12	127-5461	1	Coupling	23	127-5463	1	Bolt
13	127-5462	1	V-Belt	26	127-5355	4	Nut
14	127-5436	1	Hose	28	127-5084	11	Washer
15	127-5437	1	Plug	29	127-5104	1	Washer
16	127-5438	1	Clip-Hose				

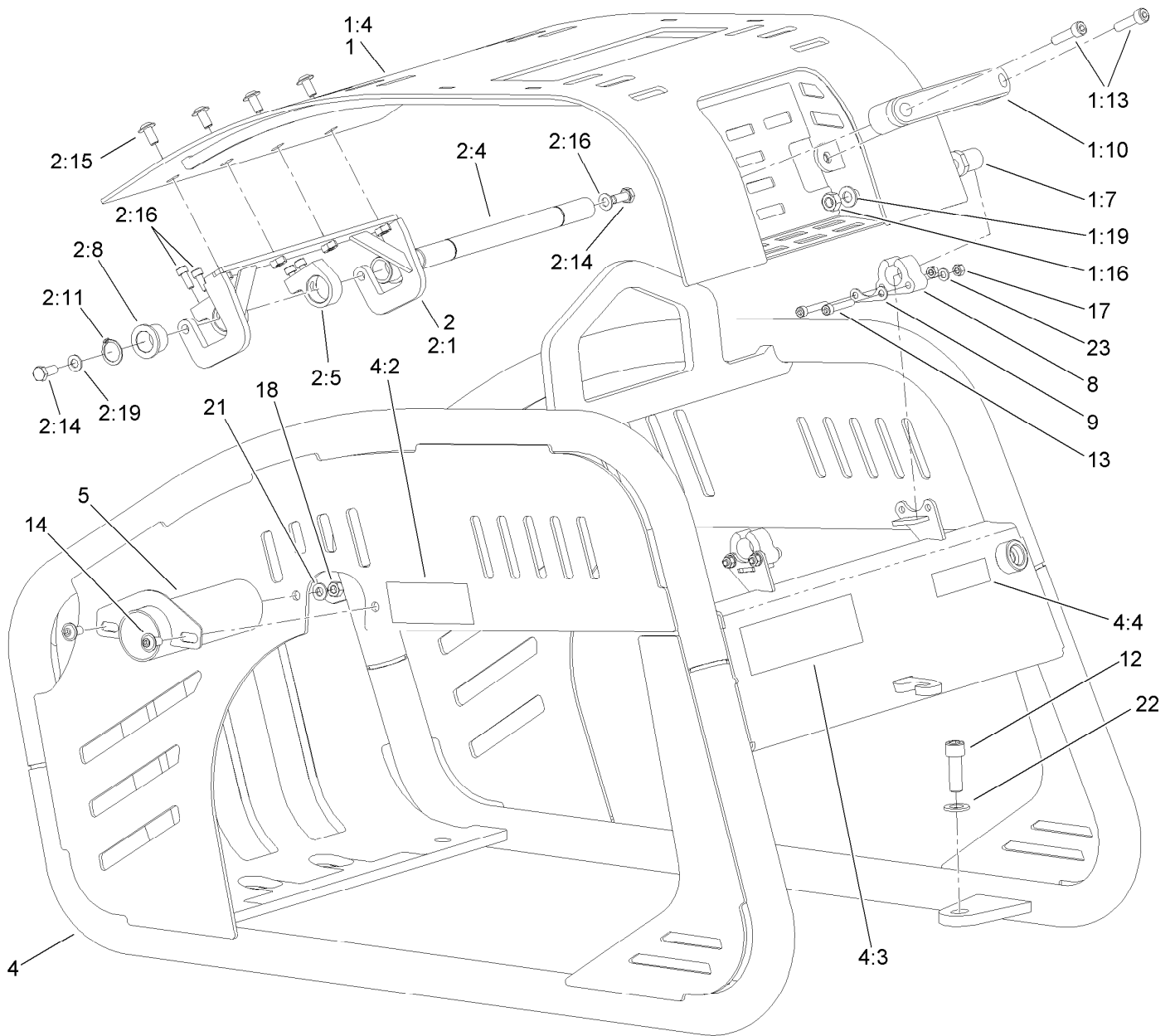
Engine Plate Assembly



Engine Plate Assembly (continued)

<i>Ref.</i>	<i>Part Number</i>	<i>Qty.</i>	<i>Description</i>
1	127-5464	1	Plate-Engine
4	127-5107	1	Bumper-Rubber
7	33025-00	1	Nut-Lock, NI

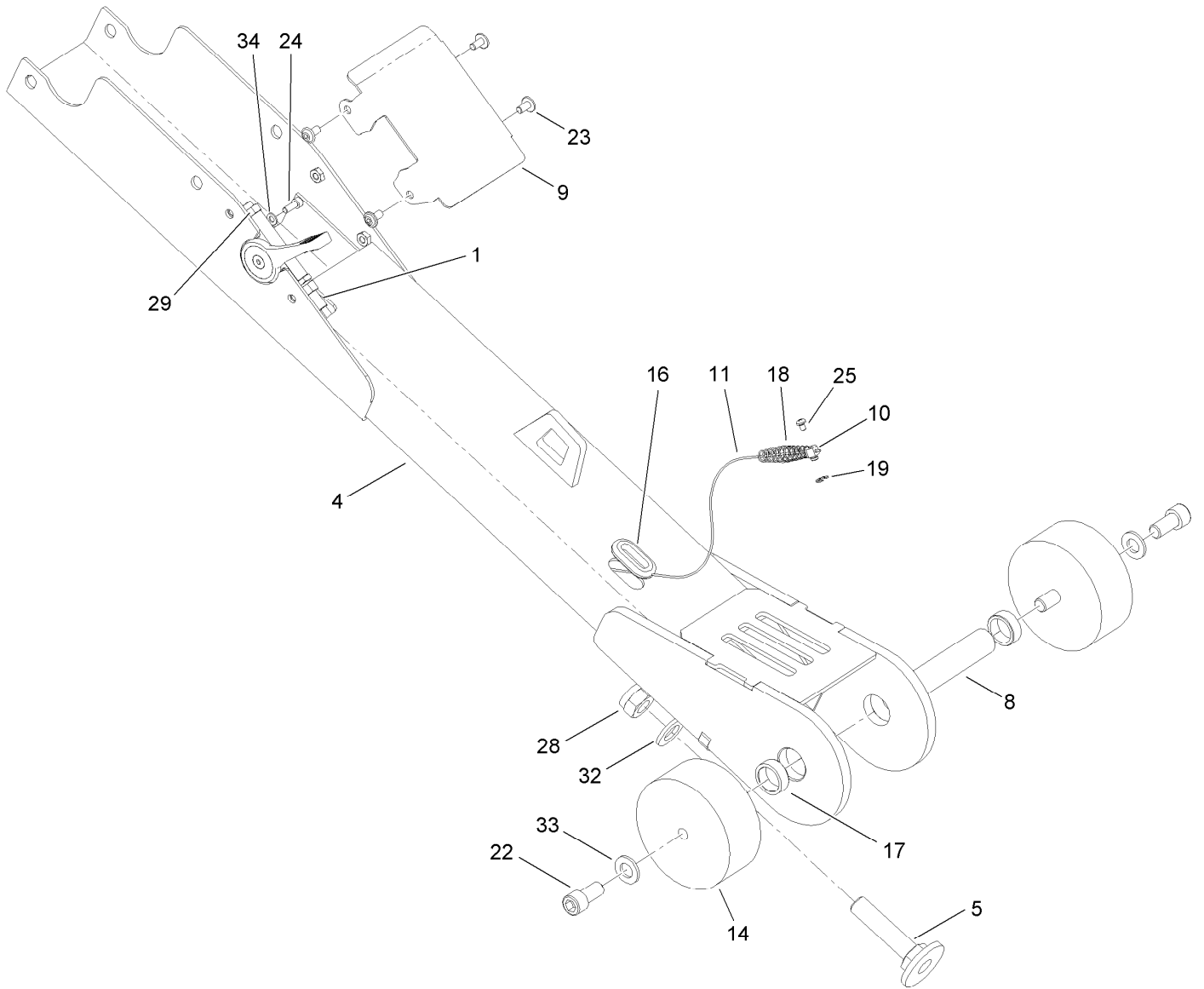
Frame and Cover Assembly



Frame and Cover Assembly (continued)

<i>Ref.</i>	<i>Part Number</i>	<i>Qty.</i>	<i>Description</i>	<i>Ref.</i>	<i>Part Number</i>	<i>Qty.</i>	<i>Description</i>
1	127-5070	1	Top Cover ASM	2:19	127-5104	2	Washer
1:4	127-5468	1	Cover	4	127-5071	1	Frame
1:7	127-5421	2	Pin-Handle	4:2	125-4963	1	Decal-Surface, Hot
1:10	127-5422	1	Handle	4:3	125-4943	1	Decal-Warning, Plate
1:13	127-5148	2	Bolt	4:4	117-2718	1	Decal-Arrester, Spark
1:16	33025-00	2	Nut-Lock, NI	5	127-5465	1	Exhaust
1:19	127-5084	2	Washer	8	127-5357	2	Securing-Cover
2	127-5067	1	Shaft And Front Bracket ASM	9	127-5358	2	Washer-Securing
2:1	127-5423	1	Bracket-Front	12	127-5359	4	Bolt
2:4	127-5424	1	Shaft	13	127-5081	4	Bolt
2:5	127-5453	2	Eye-Front	14	127-5149	2	Bolt
2:8	127-5426	2	Bushing	17	127-5360	4	Nut
2:11	127-5427	2	Ring-Sealing	18	127-5466	2	Nut
2:14	127-5184	2	Bolt	21	127-5104	2	Washer
2:15	127-5149	4	Bolt	22	127-5083	4	Washer
2:16	127-5454	4	Bolt	23	127-5105	4	Washer

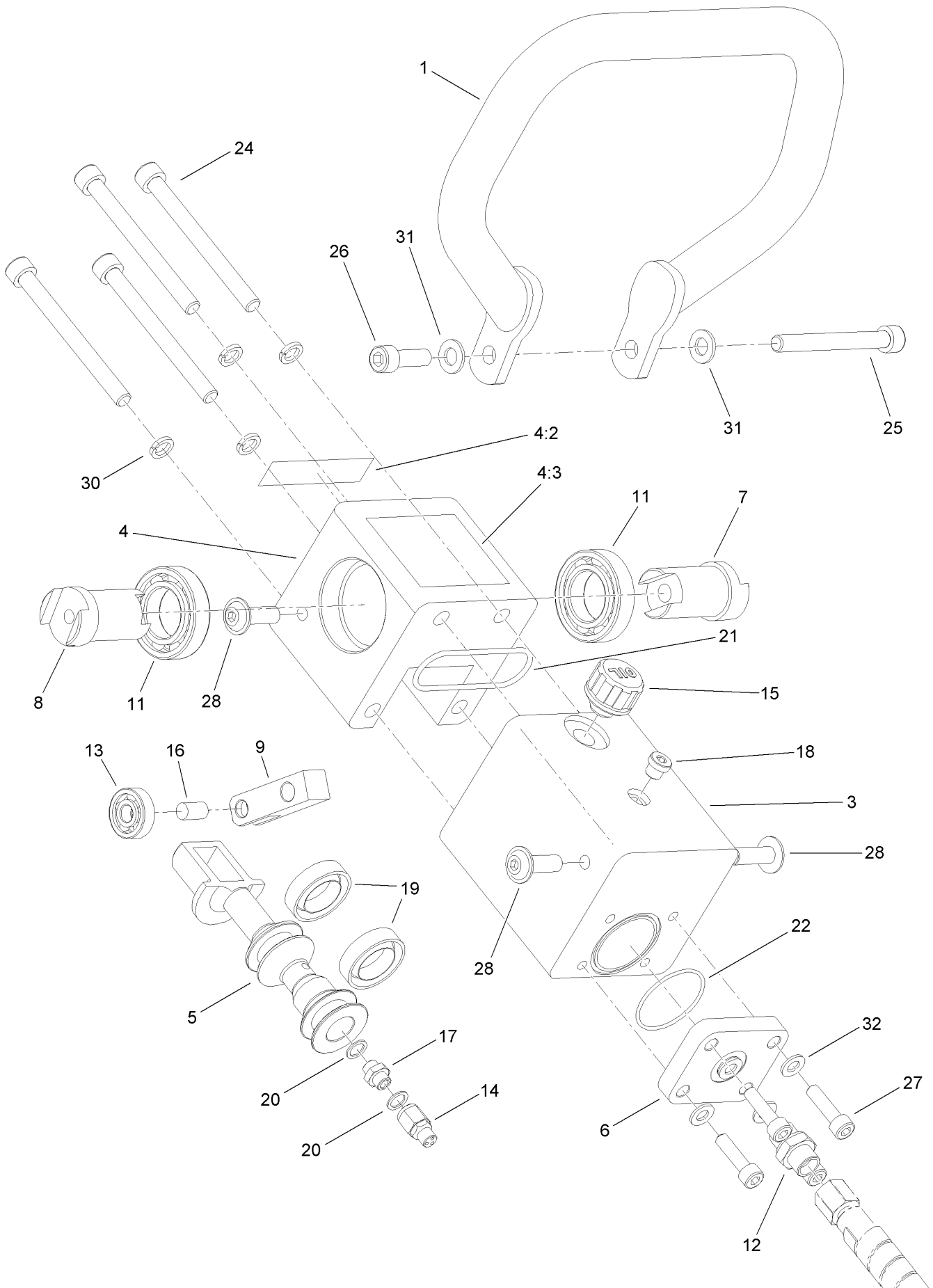
Control Arm Assembly



Control Arm Assembly (continued)

<i>Ref.</i>	<i>Part Number</i>	<i>Qty.</i>	<i>Description</i>	<i>Ref.</i>	<i>Part Number</i>	<i>Qty.</i>	<i>Description</i>
1	127-5442	1	Cable-Wire	19	127-5127	1	Bar-Ring
4	127-5361	1	Arm	22	127-5367	2	Bolt
5	127-5112	1	Screw-Stop	23	127-5119	4	Bolt
8	127-5362	1	Pin-Arm	24	127-5120	2	Bolt
9	127-5363	1	Plate	25	127-5102	1	Bolt
10	127-5125	1	Nut-Wire	28	127-5121	1	Nut
11	127-5117	1	Cable-Throttle	29	127-5122	1	Nut
14	127-5364	2	Mount-Rubber	32	127-5123	1	Washer
16	127-5118	1	Grommet	33	127-5084	2	Washer
17	127-5366	2	Bushing	34	127-5124	2	Washer
18	127-5126	1	Spring				

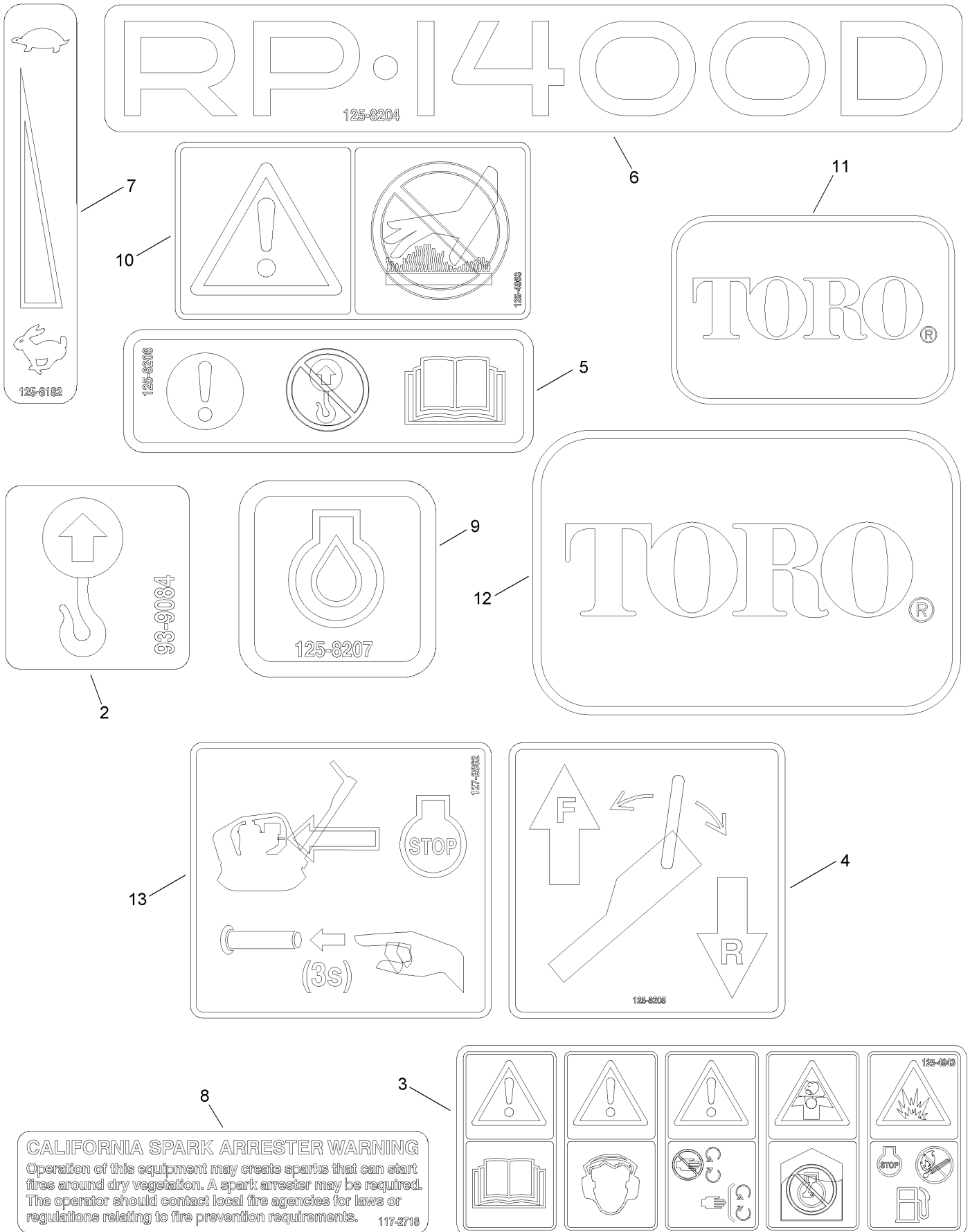
Control and Handle Assembly



Control and Handle Assembly (continued)

<i>Ref.</i>	<i>Part Number</i>	<i>Qty.</i>	<i>Description</i>	<i>Ref.</i>	<i>Part Number</i>	<i>Qty.</i>	<i>Description</i>
1	127-5368	1	Handle	16	127-5140	1	Pin
3	127-5369	1	Body-Manifold (I)	17	127-5376	1	Coupling
4	127-5060	1	Manifold ASM	18	127-5141	1	Plug
4:2	125-8206	1	Decal-Caution	19	127-5377	2	Packing
4:3	125-8205	1	Decal-Operation	20	127-5086	2	Ring
5	127-5370	1	Piston	21	127-5378	1	O-Ring
6	127-5371	1	Plate-Sealing	22	127-5379	1	O-Ring
7	127-5372	1	Pivot I	24	127-5380	2	Bolt
8	127-5373	1	Pivot I I	25	127-5381	1	Bolt
9	127-5374	1	Lever	26	127-5109	1	Bolt
11	127-5135	2	Bearing	27	127-5382	4	Bolt
12	127-5136	1	Socket	28	127-5383	4	Bolt
13	127-5137	1	Bearing	30	127-5151	2	Washer
14	127-5375	1	Valve-Direct	31	127-5084	2	Washer
15	127-5139	1	Plug	32	127-5104	4	Washer

Decals



Decals (continued)

<i>Ref.</i>	<i>Part Number</i>	<i>Qty.</i>	<i>Description</i>	<i>Ref.</i>	<i>Part Number</i>	<i>Qty.</i>	<i>Description</i>
2	93-9084	1	Decal-Point, Lift	8	117-2718	1	Decal-Arrester, Spark
3	125-4943	1	Decal-Warning, Plate	9	125-8207	1	Decal-Oil, Engine
4	125-8205	1	Decal-Operation	10	125-4963	1	Decal-Surface, Hot
5	125-8206	1	Decal-Caution	11	70-2200	2	Decal
6	125-8204	2	Decal	12	104-3989	1	Decal
7	125-8182	1	Decal-Throttle	13	127-2862	1	Decal-Stop, Engine

Notes:

Notes:



Count on it.