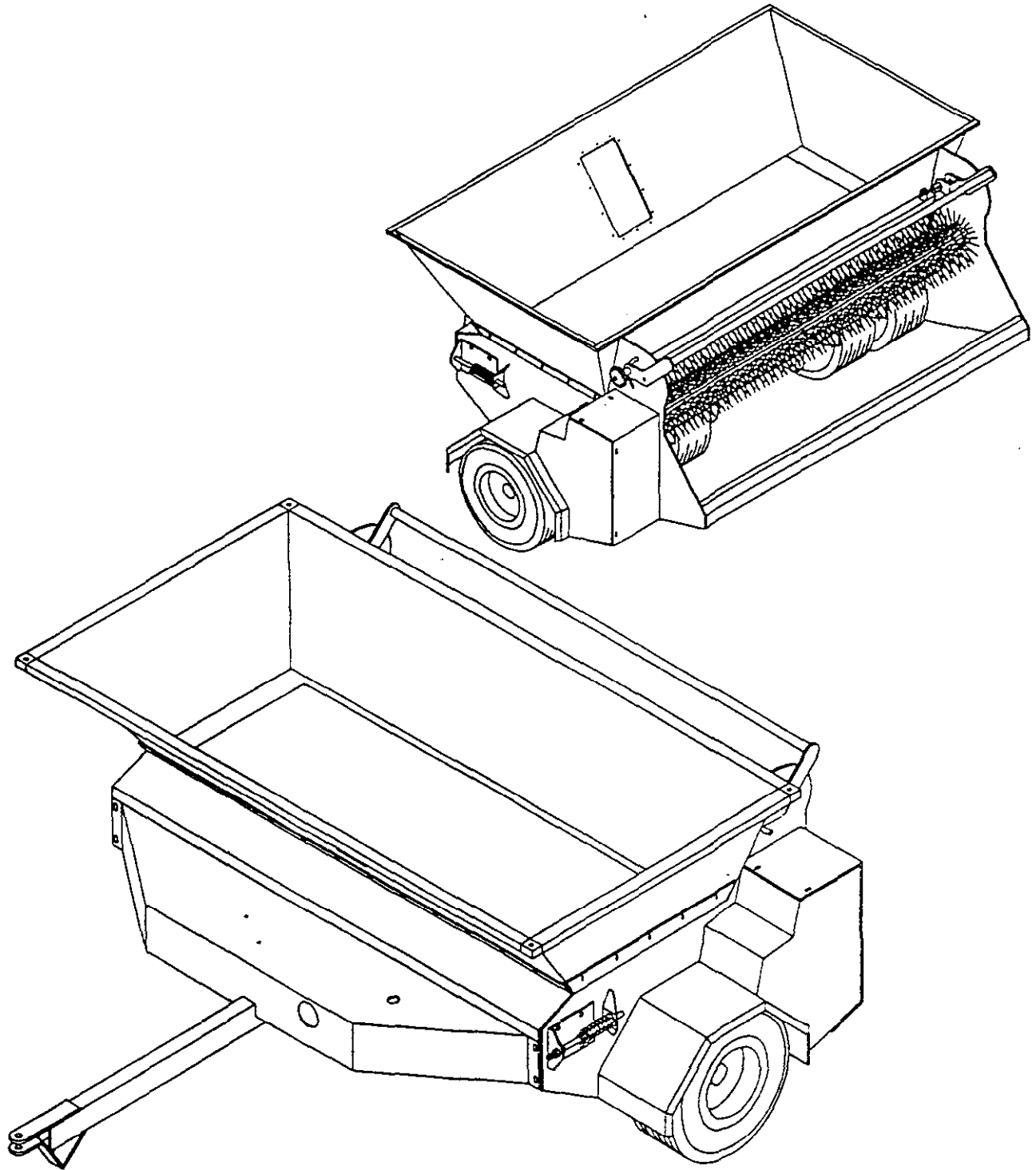




MODEL NO. 44501 - 20101 & UP	OPERATOR'S MANUAL
TOPDRESSER 2300	



FOREWORD

Thank you for buying a high quality Toro turf care product. To get the best performance from this machine, operate and maintain it according to the instructions in this manual.

Toro also wants to stress the importance of safety. You and anyone else using or maintaining this machine are strongly urged to read this manual, especially all the safety instructions.

DANGER, WARNING and CAUTION, used with the triangular safety alert symbol, highlight safety messages. Always read and understand these messages because they relate to personal injury and your safety.

If you ever need help or have questions about your new Toro turf care product, contact your local Authorized Toro Distributor. The Toro Distributor has a complete supply of replacement parts, a full line of accessories and a professional service staff to support you. Keep your Toro all Toro. Buy genuine Toro parts and accessories.

TABLE OF CONTENTS

	Page		Page
SAFETY INSTRUCTIONS	3 - 4	MAINTENANCE	11 - 13
SAFETY AND INSTRUCTION DECALS	4	Bleeding Hydraulics	11
LOOSE PARTS	5	Changing Oil Filter	11
SPECIFICATIONS	6	Oil Tank	11
SET UP INSTRUCTIONS		Brush To Conveyor Belt Adjustment	12
Install Tongue	7	Chain Tension	12
Assemble Hopper	7	Rotation	12
BEFORE OPERATING		Conveyor Belt Installation/Tension	13
Check Hydraulic System	8	ELECTRIC SCHEMATIC	14
Check Tire Pressure	8	HYDRAULIC SCHEMATIC	15
Attach Topdresser To Towing Vehicle	8	TROUBLESHOOTING	16
CONTROLS	8 - 9	STORAGE	17
OPERATING INSTRUCTIONS	9	IDENTIFICATION AND ORDERING	17
LUBRICATION	10	MAINTENANCE CHART	18 - 19
		THE TORO PROMISE	Back Cover

SAFETY INSTRUCTIONS



The safety alert symbol means **CAUTION WARNING** or **DANGER** - "personal safety instruction". Read and understand the instruction because it has to do with safety. Failure to comply with the instruction may result in personal injury.

BEFORE OPERATING

1. Read and understand all operating and safety instructions. Before operating this unit, become familiar with all controls and know how to stop quickly. A replacement manual is available by sending complete Model and Serial Number to:

The Toro Company
100 Industrial Parkway
Industrial Airport, Ks 66031

2. Before each use, be sure all bolts and nuts are tight.

3. Do not modify this equipment in any manner.

4. When guards are removed for service, replace them before operating machine. Guards are for your protection.

WHILE OPERATING

5. **NEVER** open the hydraulic oil cap until ALL air pressure has been released.

6. The weight of the topdresser when filled with sand is approximately 3500 lbs. The towing vehicle should have adequate brakes to handle this weight. Check the specifications in the towing vehicle's operator manual pertaining to towing weight.

7. **NEVER** carry passengers on the machine, and keep everyone away from the areas of operation.

8. **NEVER** allow children to operate the machine. Do not allow adults to operate the machine without proper instructions.

9. Make sure all hydraulic fittings are tight and all hydraulic hoses are in good condition before operating this unit.

10. Keep hands and feet out of hopper when unit is operating or engine is running on towing vehicle.

11. To avoid loss of control, **NEVER**, tow the unit faster than 12MPH.

SAFETY INSTRUCTIONS

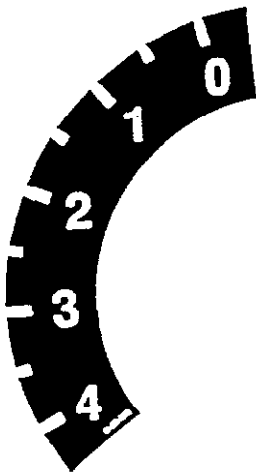
MAINTENANCE

12. **NEVER** open the hydraulic cap until ALL air pressure has been released.
13. Keep body and hands away from pin hole leaks or nozzles that eject hydraulic fluid under pressure. Use paper or cardboard, not hands to search for

leaks. Hydraulic fluid escaping under pressure can have sufficient force to penetrate skin and do serious damage. If fluid is injected into skin it must be surgically removed within a few hours by a doctor familiar with this form of injury or gangrene may result.

SAFETY AND INSTRUCTION DECALS

The following safety and instruction decals are installed on the unit. Replace any decals that becomes damaged or illegible. Part numbers for decals are listed below and in your Parts Catalog. Order replacements from your Authorized Toro Distributor.



LINED UP WITH GATE CONTROL POINTER
(Part No. 01-506-0210)



NEAR BEARINGS & GATE CONTROL ARM
(Part No. 01-506-0550)

⚠ DANGER

ROTATING CHAINS AND SPROCKETS CAN CAUSE SERIOUS PERSONAL INJURY
DO NOT OPERATE MACHINE UNLESS ALL GUARDS ARE IN PLACE

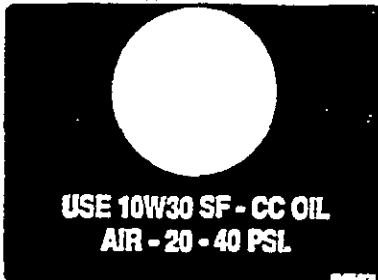


ON CHAIN GUARD
(Part No. 01-506-0050)

⚠ DANGER

HYDRAULIC OIL CAP IS UNDER PRESSURE
PRESSURIZED CAP CAN CAUSE SERIOUS INJURY IF IMPROPERLY OPENED

- NEVER OPEN OIL CAP WITHOUT RELIEFING PRESSURE THROUGH VALVE STEM
- KEEP FACE AND UPPER BODY AWAY FROM CAP WHILE OPENING



OVER OIL CAP
(Part No. 01-506-0250)

NO RIDERS

ON FENDERS & HYD. TANK
(Part No. 01-506-0540)

⚠ WARNING

WHEN UNIT IS MOVING, CONVEYOR BELT AND BRUSHES ARE ROTATING

- ROTATING PARTS CAN CAUSE INJURY.
- KEEP HANDS AND FEET OUT OF HOPPER AND AWAY FROM BRUSH.
- NEVER CARRY RIDERS.
- STOP TRACTION UNIT ENGINE BEFORE SERVICING.

EACH SIDE OF HOPPER
(Part No. 01-506-0240)

LOOSE PARTS

Description	Qty	Use
Tongue	1	Install tongue
Capscrew, 1/2-13 x 3 1/2	2	
Flat Washer, 1/2	4	
Hex Nut, 1/2"	4	
Hopper Front	1	Assemble hopper
Long Skirt	1	
Carriage Bolt, 1/4-20 x 1"	20	
Flat Washer, 1/4"	40	
Lock Washer, 1/4"	40	
Hex Nut, 1/4"	40	
Short Skirt	2	
Hopper Side, LH	1	
Hopper Back	1	
Hopper Brace	1	
Carriage Bolt, 1/4-20 x 3/4"	20	
Hopper Side, RH	1	
Support Rod	2	
Hex Nut, 3/8"	4	
Flat Washer, 3/8"	2	
Wiring Harness	1	

SPECIFICATIONS

Dimensions:

Height: 40"
Length: 88"
Width: 83"

Hopper Dimensions:

Height: 18-1/4"
Top Width: 76"
Bottom Width: 60"
Top Length: 40"
Bottom Length: 20"

Hopper Capacity: 23.5 cubic foot

Spreading Width: 60"

Top Dressing Speed: Up to 8 MPH

Transporting Speed: Up to 12 MPH

Conveyor Belt: Continuous 60" wide composition belt with heavy duty polyester cord.

Metering Gate: Infinitely variable from closed to 4-1/2" opening for light to heavy applications.

Controls: 12 volt on/off switch at operator's position to engage conveyor and brush. Metering gate control arm spans full width in front of brush.

Drive: Ground driven hydraulic system self-contained to topdresser (no hoses to connect to towing vehicle).

Wheels and tires:

- (4) 16 x 6.50 x 8 and
- (2) 18 x 8.50 x 8 - 4 ply rib tread, high flotation tires

Hydraulic Oil: 10W30 SF - CC (2 gallons)

Air pressure:

- Tires: 20 PSI
- Hydraulic tank: 20-40 PSI

Shipping Weight: 1000 lbs.

SET UP INSTRUCTIONS

INSTALL TONGUE (Fig. 1)

1. Mount the tongue using (2) 1/2" x 3 1/2" bolts, flat washers and nuts provided. Double nut both bolts.

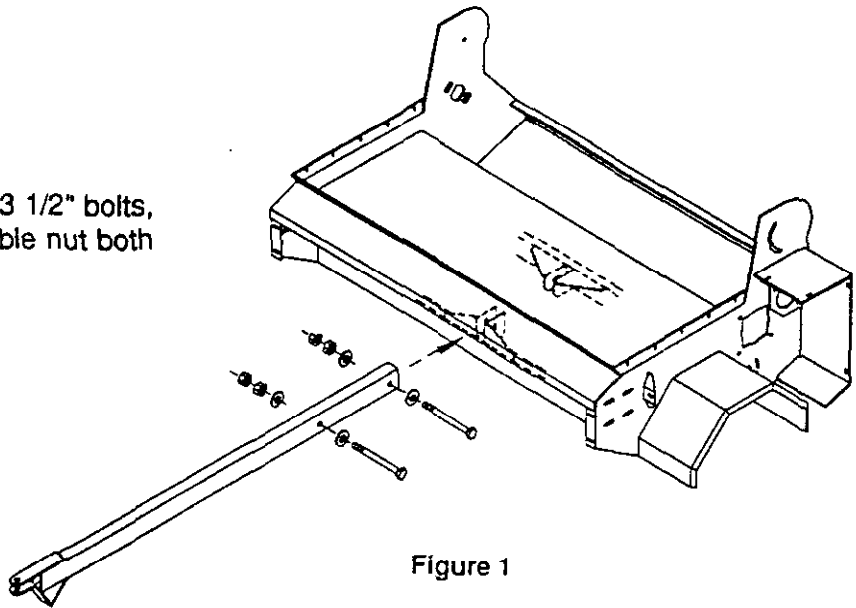


Figure 1

ASSEMBLE HOPPER (Fig. 2)

1. Assemble the sides, front, and back (Item A, B, and C) of the hopper and corner guards (Item H) using the 1/4 x 3/4" carriage bolts provided. Attach at all four corners and secure tightly.

2. Set the hopper frame in position on the topdresser.

3. Attach the rear rubber skirt (D) between the frame and the hopper. Use the 1/4 x 1" carriage bolts to mount.

4. Attach the side rubber skirts (E) between the frame and the hopper. Make sure rubber seals together on sides, then tighten bolts.

5. Install support rods (F) through the front side. Install the hopper brace (G) on the rear of the hopper. Run the threaded end of the support rod through the brace and the hopper. Attach with a 3/8" flat washer and double nut.

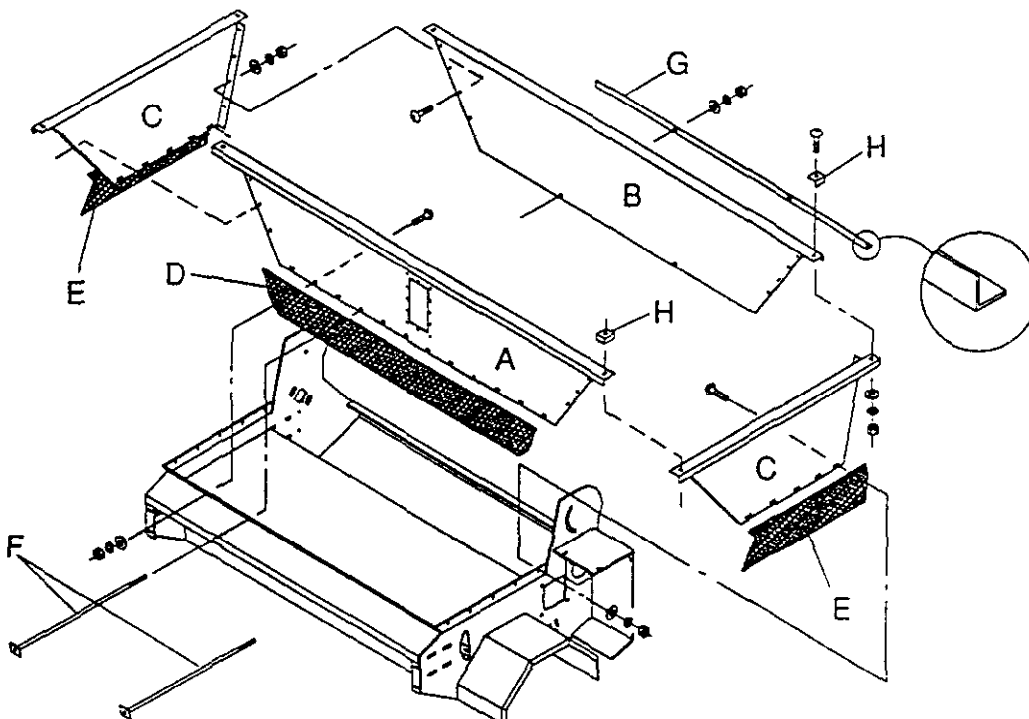


Figure 2

BEFORE OPERATING



DANGER

Pressurized Cap Can Cause Serious Injury If Improperly Opened.

Never open oil cap without releasing pressure valve stem.

Keep face and upper body away from cap while opening.

CHECK HYDRAULIC SYSTEM

1. The hydraulic system is designed to operate on 10W30 SF-CC oil. The tank contains 2 gallons of oil. There should be 4" of oil in the tank when full.
2. Pressurize the hydraulic tank with air (20 to 40 PSI). Always maintain air pressure in the tank to minimize slipping of the conveyor belt when using heavy or wet sand.
3. Visually inspect the hydraulic system for leaks, loose fasteners, missing parts, improperly routed lines. Make all repairs before operating.

CHECK TIRE PRESSURE

1. Check tire pressure before each use. Because the topdresser is ground driven always maintain tire pressure at 20 PSI.

ATTACH TOPDRESSER TO TOWING VEHICLE

1. Attach the topdresser to the towing vehicle. Use the pin on the towing vehicle to secure.
2. Connect the long half of the wiring harness to short half at the end of the tongue.
3. Connect the red wire to the positive terminal on the towing vehicle battery. The white wire connects to the negative terminal.
4. Gather and consolidate all loose wires. Tape together with existing wires on the towing vehicle. Make sure there are no loose or dangling wires to interfere with the operation of the unit.
5. Pull the unit forward at a slow speed and flip the electrical switch to the "ON" position. If brush and conveyor belt rotate flip switch off. If they do not rotate, check the troubleshooting page (pg. 16) for details. After checking, turn the switch off.

CONTROLS

ELECTRIC SWITCH

The electric switch has 2 positions; ON, OFF. When switch is on the conveyor belt and brush will rotate. When switch is off the conveyor belt and brush stop rotating.

GATE CONTROL ARM (Fig. 3)

The gate control arm is used to control the amount of sand being applied to the turf. The black knob on the end is used to lock the setting into position.

1. Loosen the black knob enough to allow the arm to pivot.
2. Set the gate into position. Moving the gate control arm downward opens the gate and upward motion closes it.
3. When desired gate setting is obtained, tighten black knob to lock into position.

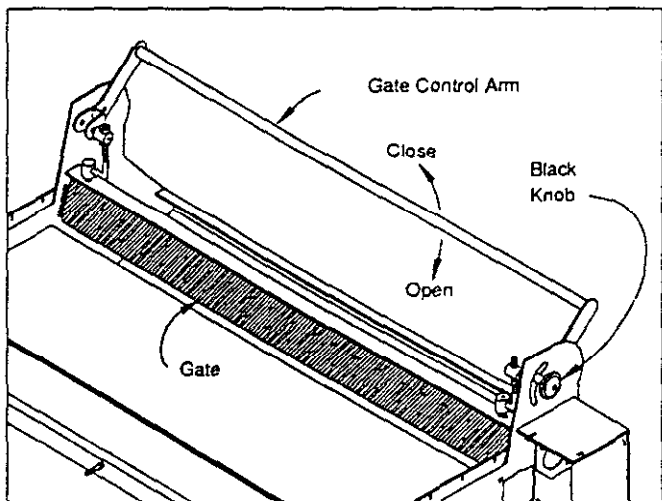



Figure 3


CONTROLS

	DANGER
<p>Pressurized Cap Can Cause Serious Injury If Improperly Opened.</p> <p>NEVER open oil cap without releasing pressure valve stem.</p> <p>Keep face and upper body away from cap while opening.</p>	

PRESSURE GAUGE

The gauge is a pressure gauge that reads the air pressure in the tank. The recommended air pressure is between 20 - 40 PSI.

OPERATING INSTRUCTIONS

	DANGER
<p>NEVER carry passengers on the machine or towing vehicle, and keep everyone away from the areas of operation.</p> <p>To avoid loss of control, NEVER, tow the unit faster than 12 MPH.</p> <p>Keep hands and feet out of hopper when unit is operating or engine is running on towing vehicle.</p>	

1. Fill the hopper with sand. The maximum amount of sand that can be put into the hopper is 2500 pounds. The weight of the topdresser filled with sand is approximately 3500 pounds. The towing vehicle should have adequate brakes to handle this weight. Check the specifications in the towing vehicle's operator manual pertaining to towing weight.

IMPORTANT: **NEVER** transport at a speed faster 12 MPH because the hydraulic motors will be damaged.

NEVER top dress at a speed faster than 8 MPH.

2. Open the gate arm to the desired rate. Tighten the black knob to lock into position.

3. Slowly pull the topdresser forward and flip the electrical switch to the "ON" position. The unit is now topdressing.

4. Flip electric switch to OFF to stop topdressing and before transporting.

SAND APPLICATION RATE

The rate of sand being applied depends on the weight of the sand. Sand varies in moisture and coarseness which effects the weight. These factors must be taken into consideration when determining the amount of sand required for the application. Test a small area to determine the correct amount.

IMPORTANT: The maximum amount of sand that can be put into the hopper is 2500 pounds.

LUBRICATION

BEARINGS (Fig. 4)

The topdresser has 5 self sealing bearings that must be lubricated with a No. 2 Lithium based grease.

IMPORTANT: Lubricate the bearings to maintain a slight leakage on the seals. Too much grease can cause overheating.

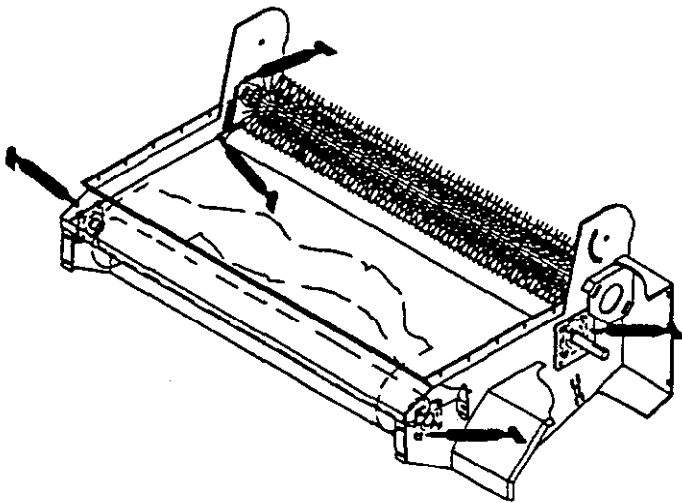


Figure 4

Use No. 2 Lithium based grease.

ADJUSTMENT LUGS (Fig. 5)

Always maintain a light coat of No. 2 Lithium based grease on the threads of the four adjustment lugs.

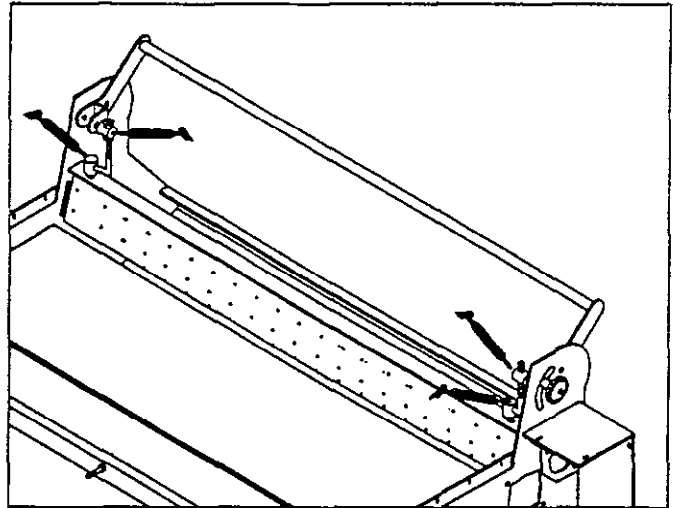


Figure 5

DRIVE CHAIN


Always maintain a light coat of grease on the drive chain.

Wheels

Grease fittings weekly or every 40 operating hours.

MAINTENANCE

BLEEDING HYDRAULIC SYSTEM

	DANGER
Pressurized Cap Can Cause Serious Injury If Improperly Opened.	
Never open oil cap without releasing pressure valve stem.	
Keep face and upper body away from cap while opening.	

When any hydraulic part is replaced the system will have to be bled.

1. Push valve stem in to release all pressure from the tank.
2. Remove the air pressure cap.
3. With towing unit, pull the topdresser up to 8 MPH. Pull the top dresser until all "jerking" motion has stopped.
4. Use a tape measure to check the level of oil in the tank.
5. Check the conveyor and brush motors, both must run smoothly with no jerking motion.

6. When all are operating smoothly, install the air pressure cap. Check the air pressure cap for leaks. See Check Hydraulic System under Before Operating (pg. 8).

IMPORTANT: When working with hydraulics, you must keep the work area as clean as possible. Change oil and filter as recommended. If you have a new piece of equipment under warranty and a hydraulic item goes out don't try to fix it. Install a new part and return the defective part to the factory. It is easier to get warranty on a part that has not been taken apart.

CHANGING OIL FILTER

The oil filter is a 10 micron cross filter. Change the filter every 100 hours of operation. Always fill the element with oil when installing a new filter.

OIL TANK

The oil tank is a 2 gallon capacity tank. The oil type is 10W30 or 10W40 SF - CC (preferably 10W30). Change oil every 500 hours or yearly, whichever comes first. The drain plug is located on the bottom of the tank.

IMPORTANT: When adding oil to the system pour it through a funnel with a fine mesh screen (200 mesh or better). Keep the funnel and containers immaculately clean. This procedure prevents accidental contamination of the hydraulic system.

MAINTENANCE

BRUSH TO CONVEYOR BELT ADJUSTMENT (Fig. 6)

The brush is moved back and forth on its mounting slots to adjust it to the conveyor belt. The brush should be as close to the belt as possible without touching. A piece of paper can be inserted between the conveyor belt and the brush to check the adjustment. The brush must be the same height from end to end.

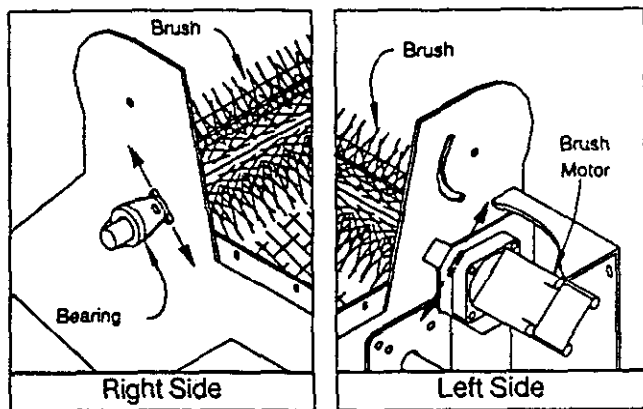


Figure 6

1. Loosen the nuts of the bearing on the right hand side.
2. Loosen the nuts mounting the brush motor to the main frame.
3. Slide the brush into position on the right hand side. Finger tighten the nuts.
4. Slide the brush into position on the left hand side. Finger tighten the nuts.
5. Insert a piece of paper between the brush and the conveyor belt. The brush must be the same height from end to end.
6. If the adjustment is correct, tighten the nuts. If not, repeat steps 1 through 5.

CHAIN TENSION (Fig. 7)

The chain tension is adjusted by moving the motor and sprocket assembly (A) up and down on its mounting slots. A 1/8" deflection is recommended. Do not over tighten, this will cause chain wear. Do not operate with a loose chain; this will cause sprocket wear.

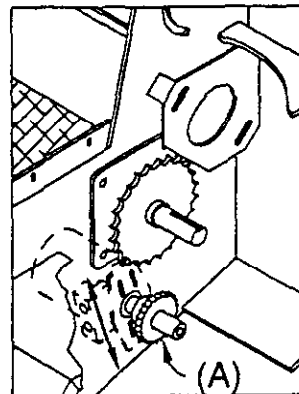


Figure 7

1. Loosen the nuts mounting the motor and sprocket assembly (A) to the main frame.
2. Slide the hydraulic motor and sprocket assembly (A) up and down on the mounting slot until proper tension is achieved.
3. Tighten the nuts.

ROTATION (Fig. 8)

The rotation of the conveyor, brush and the wheels is shown in Fig. 8. If the rotation is not correct, the hydraulic lines are installed backwards. See the Hydraulic Schematic (pg. 15).

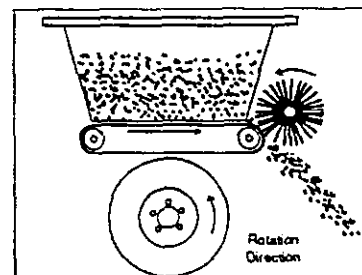


Figure 8

MAINTENANCE

CONVEYOR BELT INSTALLATION/TENSION (Fig. 9 & 10)

To install a new conveyor belt follow the instructions below.

1. Pull the topdresser forward until the conveyor belt seam is in the center of the hopper.
2. Loosen the nuts (A) on the spring rod to release the tension. (See Figure 10).
3. Remove the lacing (seam wire) from the old conveyor belt.
4. Grab one side of the old conveyor belt and pull it free from the unit.
5. Lay the new belt on the frame and roll it around the rollers bringing the seam to the center.
6. Feed the lacing through the conveyor belt seam. Make sure the lacing is lined up. If the lacing is off one notch it will cause the belt to buckle and not run straight. Check for straightness with a straight edge once it has been installed. See Fig. 9. After the wire is centered, bend both ends of the wire to prevent the wire from working loose.

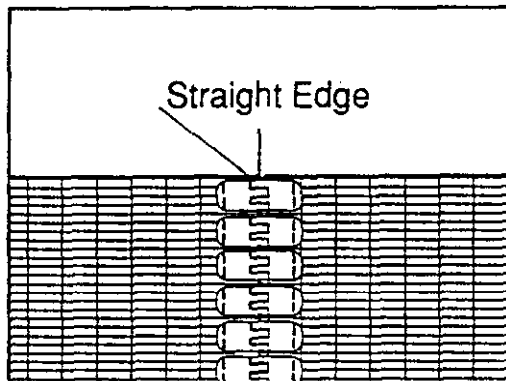


Figure 9

7. Tighten the nut on the spring rod until the spring is compressed to 4-1/2" as shown in Fig. 10. Be sure the front roller is parallel with the drive roller. This can be done by measuring the distance between the drive roller bearing bolt and the idler roller bearing bolt on each side. If there is a difference tighten the nut on the spring rod until distance on both sides is equal.

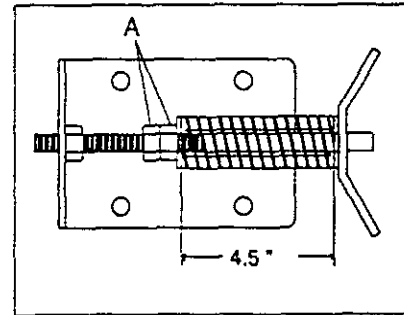
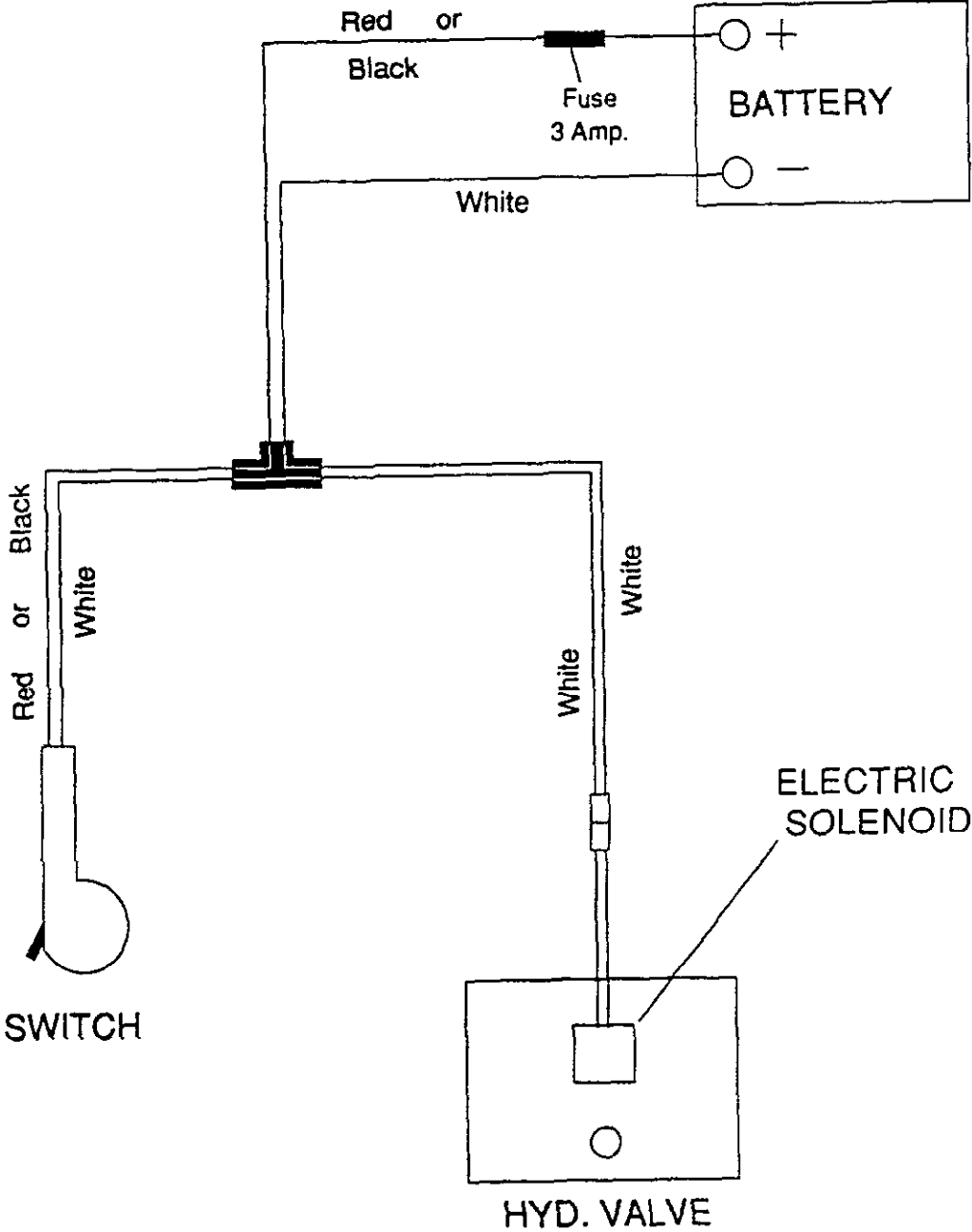


Figure 10

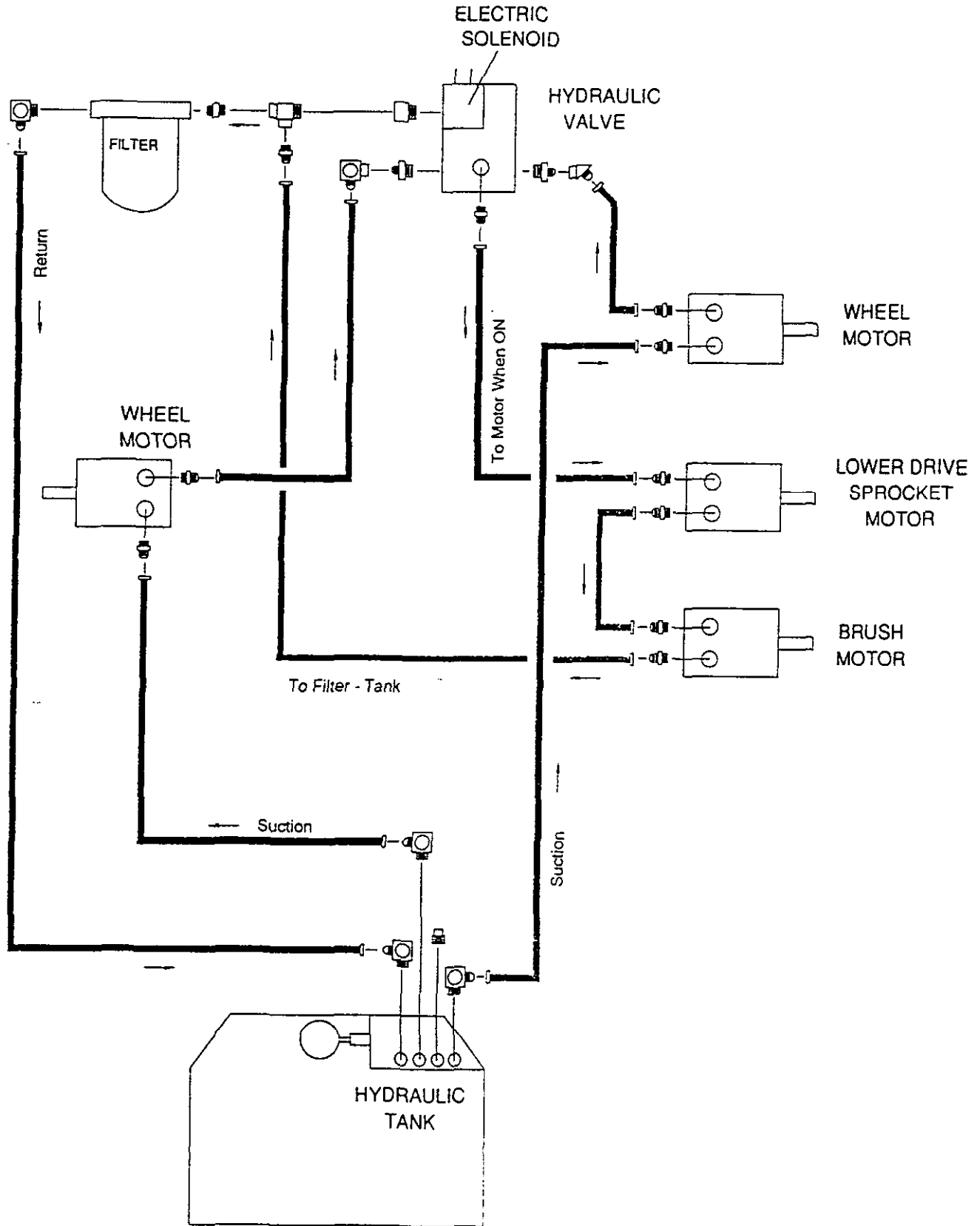
8. Tighten the jam nut against the other jam nut. The plate must be free to slide. Tighten the bolts, then loosen until it can slide.

IMPORTANT: Do not allow the plate to become too loose, it will cause the spring rod to bend.

ELECTRICAL SCHEMATIC



HYDRAULIC SCHEMATIC



TROUBLESHOOTING

CONDITION	CAUSE	CORRECTION
Conveyor Belt and Brush Not Working	<ul style="list-style-type: none"> • Bad electrical connections. • Blown harness fuse. • Hydraulic lines to drive pumps may be installed backwards. 	<ul style="list-style-type: none"> • Plug in the wiring harness connection and make sure wires are making contact. • Replace fuse. • Standing on the left hand side (Chain Guard side) the conveyor belt should rotate clockwise and the brush should rotate counterclockwise. If incorrect, reverse the lines on the corresponding motors.
Hydraulics Run Rough	<ul style="list-style-type: none"> • Excessive air in the system. 	<ul style="list-style-type: none"> • Bleed lines. See "Bleeding Hydraulics" in Maintenance section (pg. 11).
Conveyor Not Turning	<ul style="list-style-type: none"> • Check for loose or broken chain. 	<ul style="list-style-type: none"> • Replace chain or adjust tension. See Chain Tension in Maintenance section (pg. 12).

SEASONAL STORAGE

1. Thoroughly clean the topdresser, especially inside the hopper. The hopper and conveyor belt area should be free of any remaining sand particles.
2. Inflate all tires to 20 PSI. Or block up the topdresser to remove the weight.
3. Drain and replace hydraulic fluid and filter. Inspect all hydraulic lines and fittings. Replace if necessary. Refer to the Maintenance section.
4. Tighten all fasteners.
5. Lubricate all grease fittings and bearings. Wipe off excess lubricant. Refer to page 10.
6. The unit should be stored out of the sun to prolong the life of the conveyor belt. If stored outside it is recommended to cover the hopper with a tarp.
7. Check the tension of the drive chain. Adjust the tension if necessary and lightly coat the chain with grease. Refer to the Maintenance section (pg. 11 - 13).

IDENTIFICATION AND ORDERING

MODEL AND SERIAL NUMBER

The TOPDRESSER 2300 has two identification numbers: a model number and serial number. The two numbers are stamped on a plate which is riveted on the hydraulic tank. In any correspondence concerning the TOPDRESSER 2300, supply model and serial numbers to be sure that the correct information and replacement parts are obtained.

To order replacement parts from an authorized TORO Distributor, supply the following information:

1. Model and serial numbers of the machine.
2. Part number, description and quantity of parts desired.

Note: Do not order by reference number if a parts catalog is being used; use the part number.

The Toro Promise

A ONE YEAR LIMITED WARRANTY

The Toro Company promises to repair your TORO Product if defective in materials or workmanship. The following time periods from the date of purchase apply:

Commercial Products 1 Year

The costs of parts and labor are included, but the customer pays the transportation costs on walk rotary mowers with cutting widths of less than 25".

If you feel your TORO product is defective and wish to rely on The Toro Promise, the following procedure is recommended:

1. Contact your Authorized TORO Distributor or Commercial Dealer (the Yellow Pages of your telephone directory is a good reference source).
2. The TORO Distributor or Commercial Dealer will advise you on the arrangements that can be made to inspect and repair your product.
3. The TORO Distributor or Commercial Dealer will inspect the product and advise you whether the product is defective and, if so, make all repairs necessary to correct the defect without an extra charge to you.

If for any reason you are dissatisfied with the distributor's analysis of the defect or the service performed, you may contact us.

Write:

TORO Commercial Products Service Department
100 Industrial Parkway
Industrial Airport, Ks. 66031

The above remedy of the product defects through repair by an Authorized TORO Distributor or Commercial Dealer is the purchaser's sole remedy for any defect.

THERE IS NO OTHER EXPRESS WARRANTY. ALL IMPLIED WARRANTIES OF MERCHANTABILITY AND FITNESS FOR USE ARE LIMITED TO THE DURATION OF THE EXPRESS WARRANTY.

Some states do not allow limitations on how long an implied warranty lasts, so the above limitation may not apply to you.

This Warranty applies only to parts or components which are defective and does not cover repairs necessary due to normal wear, misuse, accidents, or lack of proper maintenance. Regular, routine maintenance of the unit to keep it in proper condition is the responsibility of the owner.

All warranty repairs reimbursable under the Toro Promise must be performed by an Authorized TORO Commercial Dealer or Distributor using Toro approved replacement parts.

Repairs or attempted repairs by anyone other than an Authorized TORO Distributor or Commercial Dealer are not reimbursable under the Toro Promise. In addition, these unauthorized repair attempts may result in additional malfunctions, the correction of which is not covered by warranty.

THE TORO COMPANY IS NOT LIABLE FOR INDIRECT, INCIDENTAL OR CONSEQUENTIAL DAMAGES IN CONNECTION WITH THE USE OF THE PRODUCT INCLUDING ANY COST OR EXPENSE OF PROVIDING SUBSTITUTE EQUIPMENT OR SERVICE DURING PERIODS OF MALFUNCTION OR NON-USE.

Some states do not allow the exclusion or limitation of incidental or consequential damages, so the above limitation or exclusion may not apply to you.

This warranty gives you specific legal rights, and you may also have other rights which vary from state to state.

COUNTRIES OTHER THAN THE UNITED STATES OR CANADA

Customers who have purchased TORO products exported from the United States or Canada should contact their TORO Distributor (Dealer) to obtain guarantee policies for your country, province or state. If for any reason

you are dissatisfied with your Distributor's service or have difficulty obtaining guarantee information, contact the TORO importer. If all other remedies fail, you may contact us at The Toro Company.