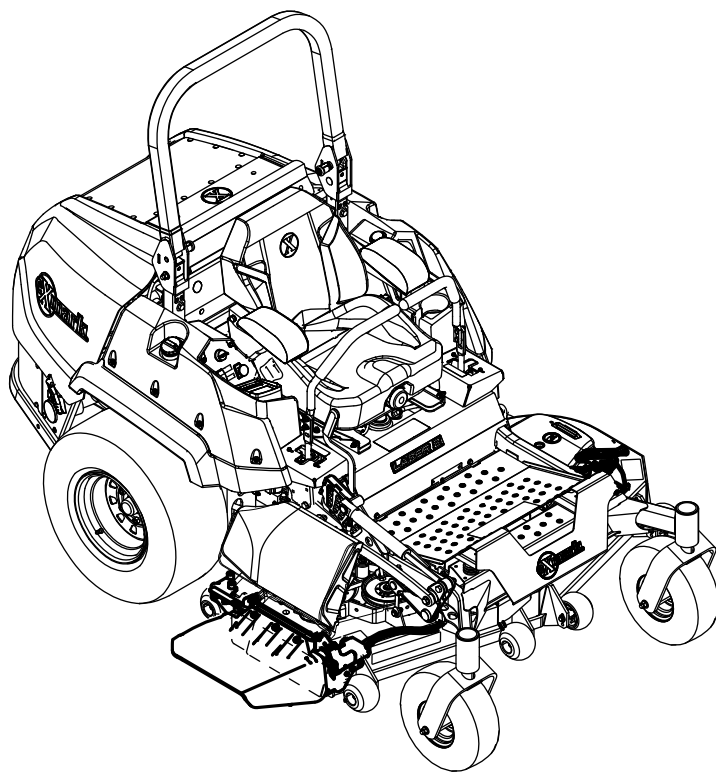




# 135-2472

Model No. 135-2472

Picture below may not reflect actual product.



# Parts Manual

Part No. 4505-914 Rev. A

# Ordering Replacement Parts

To order replacement parts, please supply the part number, the quantity, and the description of each part desired.

## Understanding Reference Numbers

Each identified part in an illustration has a reference number. The reference number for a part also appears in the parts list, along with other information about the part.

This catalog uses two special reference number formats, one to indicate parts in a service assembly and another to indicate the quantity of a given part in an illustration.

## Service Assembly Reference Numbers

Parts in service assemblies have reference numbers in the form a:b. The a represents the reference number of the entire service assembly and the b represents a sequential number unique to each part within the service assembly.

For example, a wheel assembly might be identified by reference number 6, the tire by 6:1, the valve by 6:2, and the wheel by 6:3. When you order the assembly identified by reference number 6, you receive all parts identified by reference numbers 6:1, 6:2, and 6:3. However, you may also order any part individually. Reference numbers of this type appear in illustration and in parts lists.

## Reference Numbers Indicating Quantity

In an illustration, if a reference number indicates more than one part, the reference number has the form nX y. The n represents the quantity of the part, the X is the multiplication symbol, and the y represents the reference number.

For example, in an illustration, the reference number 2X 37 means that two of the parts identified by reference number 37 are indicated.

# Touch Up Paint

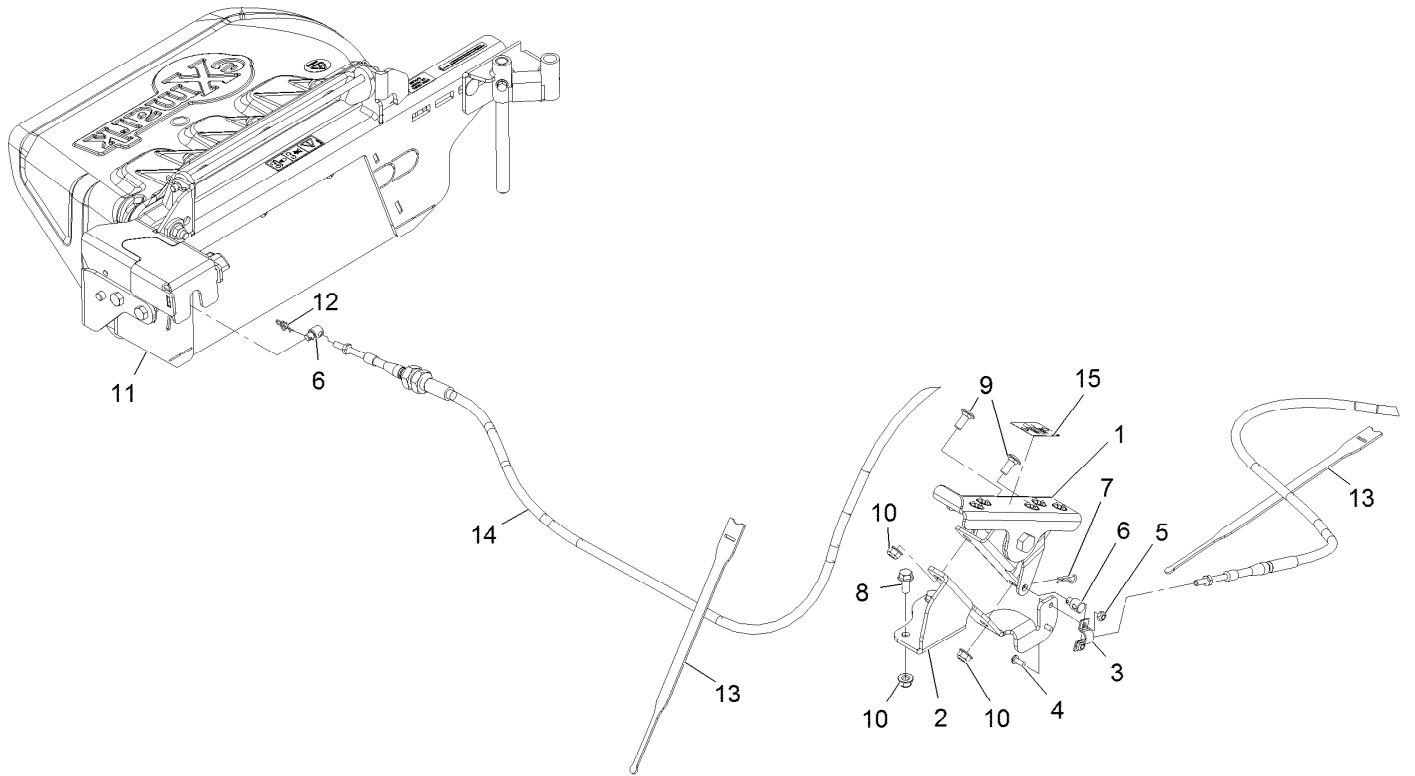
Exmark black touch up spray paint – gloss black.

Exmark red touch up paint (spray paint – P/N 1-850337 - .6 oz liquid bottle – P/N 103-9140).

# Contents

Main Assembly ..... 4  
Gate Pedal Assembly No. 116-7814 ..... 6  
OCD Assembly ..... 8  
Gate Assembly ..... 10

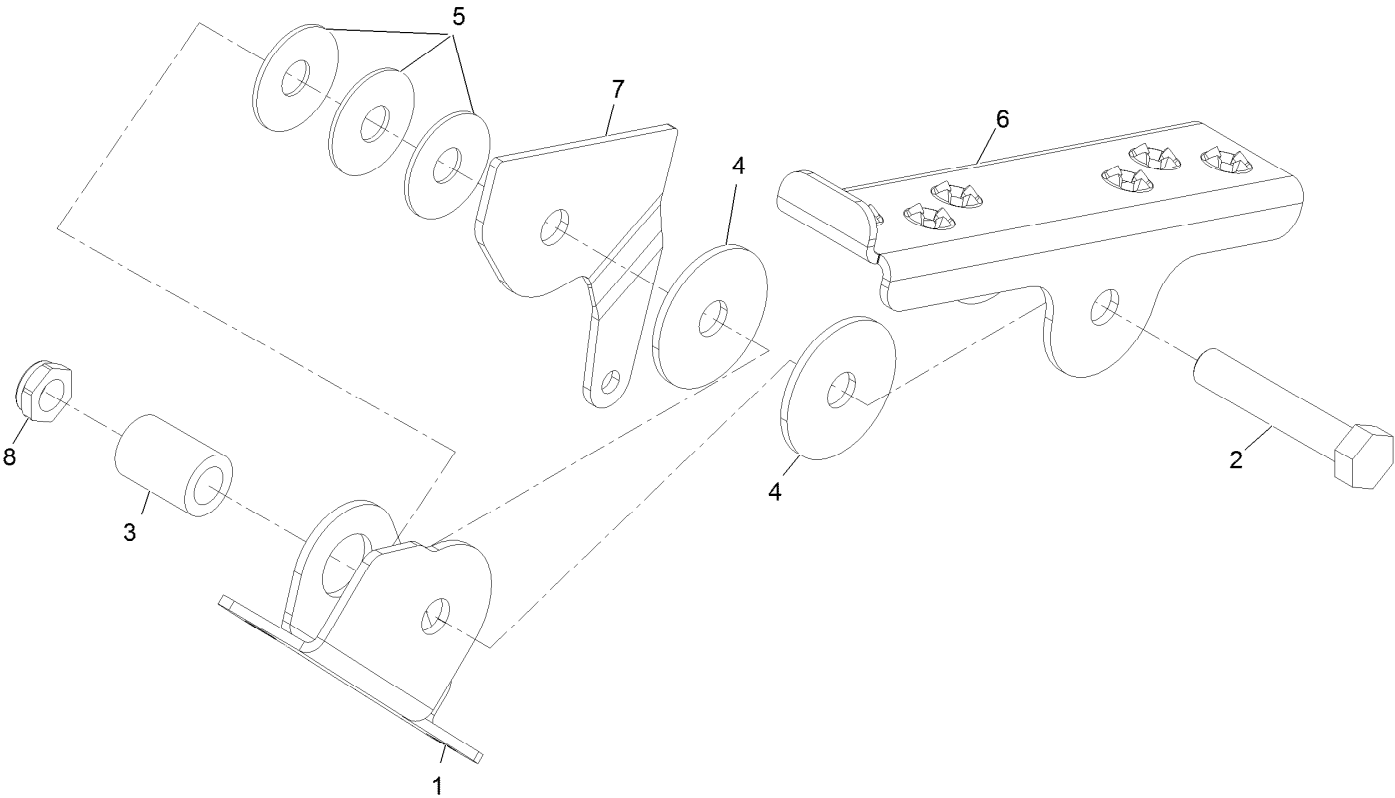
# Main Assembly



## Main Assembly (continued)

<i>Ref.</i>	<i>Part Number</i>	<i>Qty.</i>	<i>Description</i>	<i>Ref.</i>	<i>Part Number</i>	<i>Qty.</i>	<i>Description</i>
1	116-7814	1	ASM, Pedal, Ocd Gate	9	3230-23	2	Bolt-Carriage 5/16-18 X 3/4 Short Neck
2	135-1871-01	1	Mount-Pedal, Ocd	10	104-8300	4	Nut-Nyloc 5/16-18 Flg
3	116-1545	1	Clamp	11	116-8556	1	ASM, Ocd
4	3250-12	2	Screw-PPH #10-24 X 1/2	12	116-6639	1	Pin-Cotter, Locking
5	3296-12	2	Nut-Nyloc #10-24 Thin	13	116-2469	2	Strap-Velcro, Cable Tie
6	116-7868	2	Pivot, Control Cable	14	116-4005	1	Cable-Discharge Gate
7	1-806003	1	Hairpin-Cotter	15	135-3908	1	Decal-Ocd Operation
8	3234-47	2	Screw-HH Flg 5/16-18 X 3/4				

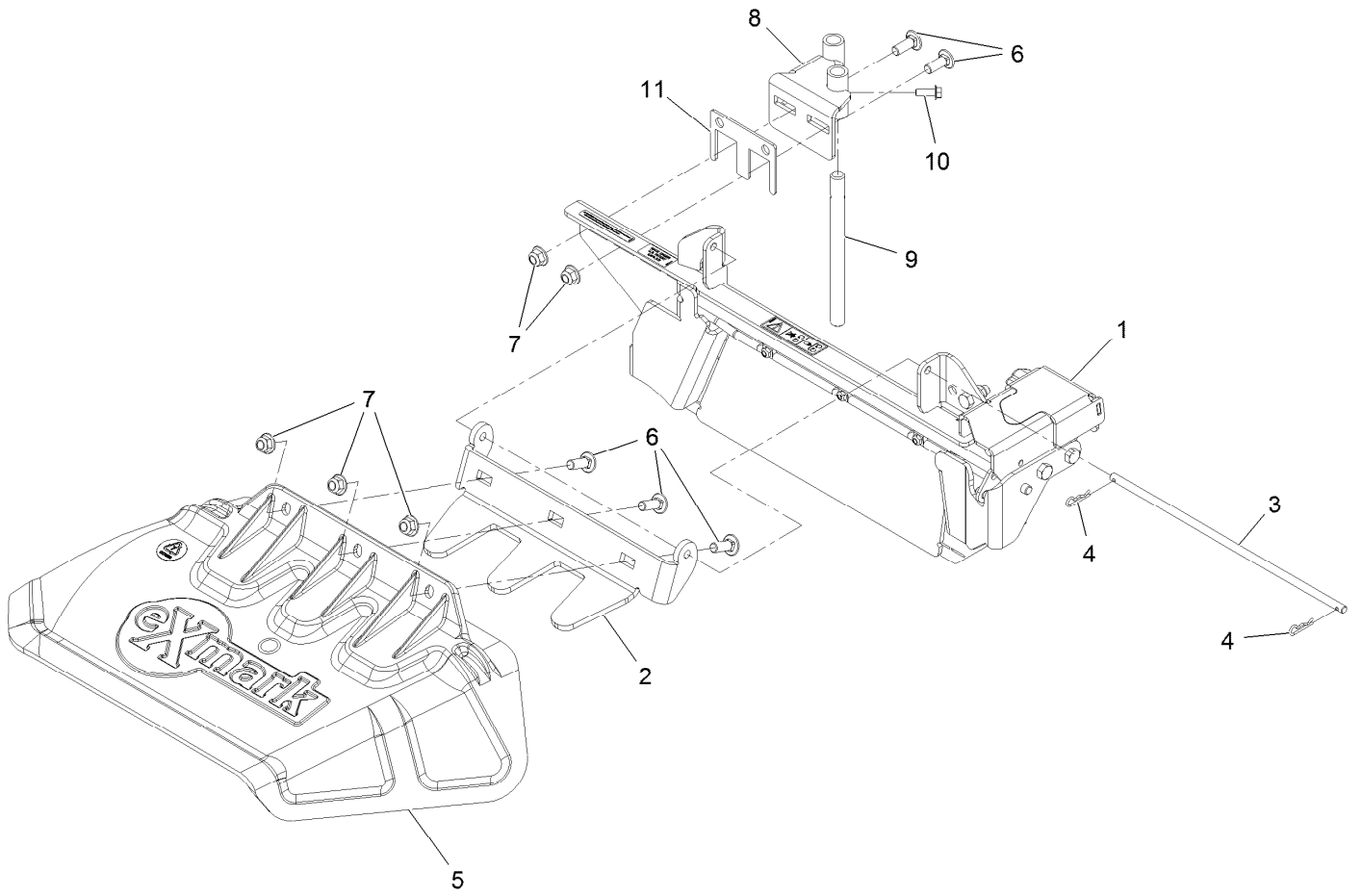
# Gate Pedal Assembly No. 116-7814



## Gate Pedal Assembly No. 116-7814 (continued)

<i>Ref.</i>	<i>Part Number</i>	<i>Qty.</i>	<i>Description</i>	<i>Ref.</i>	<i>Part Number</i>	<i>Qty.</i>	<i>Description</i>
1	116-6936	1	Bracket-Pedal Mount	5	103-5018	3	Washer-Spring Disc
2	325-11	1	Screw-HH 1/2-13 X 2 3/4	6	116-1358-01	1	Channel,Pedal Link
3	92-6036	1	Spacer-Roller	7	116-6934-01	1	Arm, Foot Pedal
4	103-5009	2	Disc-Friction	8	3296-45	1	Nut-Nyloc 1/2-13 Thin

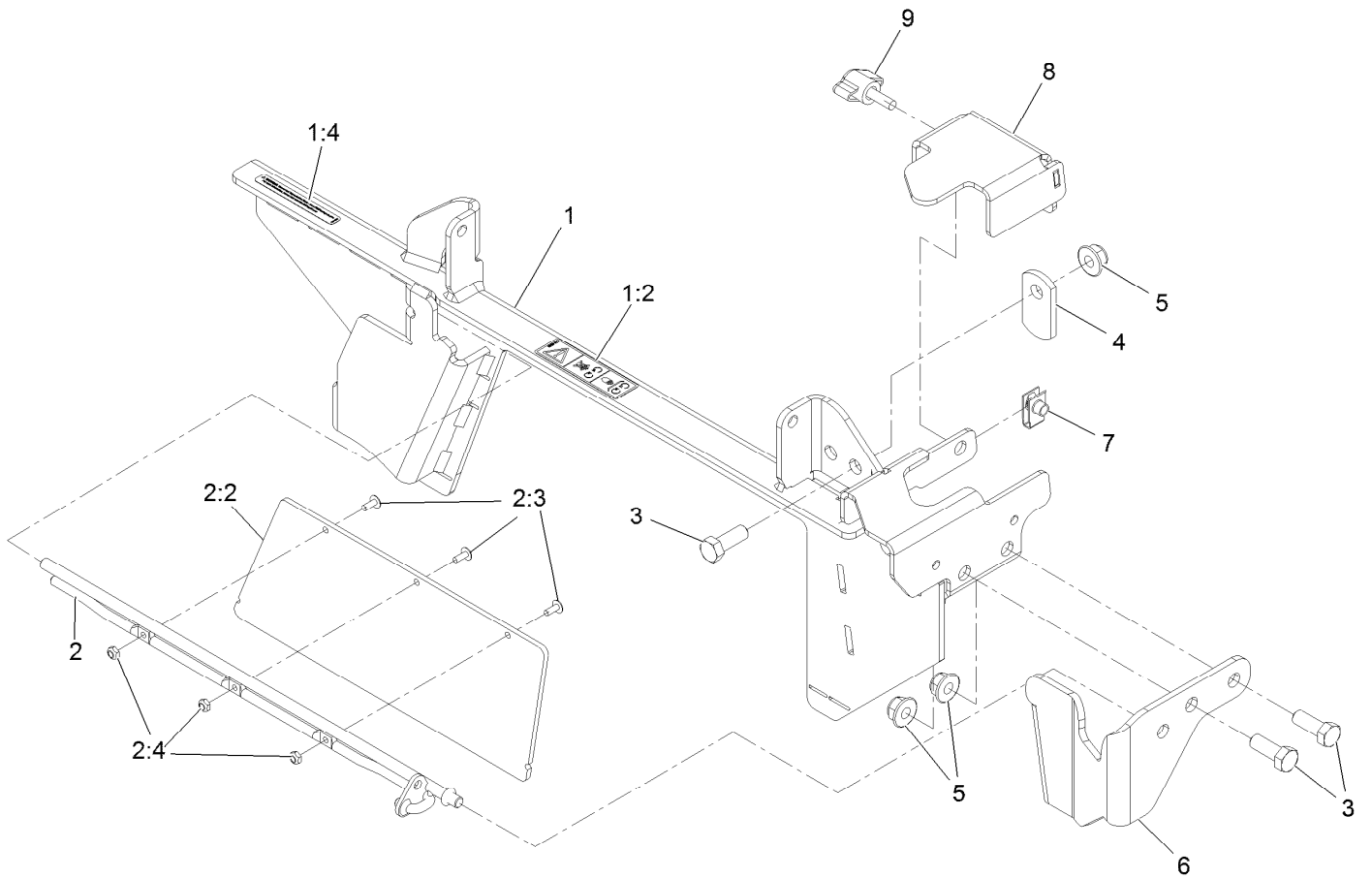
# OCD Assembly



## OCD Assembly (continued)

<i>Ref.</i>	<i>Part Number</i>	<i>Qty.</i>	<i>Description</i>	<i>Ref.</i>	<i>Part Number</i>	<i>Qty.</i>	<i>Description</i>
1	116-8516	1	ASM, Ocd Gate	7	104-8301	5	Nut-Nyloc 3/8-16 Flg
2	116-6916-01	1	Mount, Discharge Chute	8	116-6844-01	1	Weldment, Ocd Mount
3	116-2229	1	Pin,Chute	9	116-7024	1	Pin-Mount, Ocd
4	1-806003	2	Hairpin-Cotter	10	117-8304	1	Screw-Hex Flange 1/4-20 X 3/4
5	109-2738	1	Chute, Discharge	11	116-3226-01	1	Shim-Ocdwb
6	3231-22	5	Bolt-Carriage 3/8-16 X 1				

# Gate Assembly



## Gate Assembly (continued)

<i>Ref.</i>	<i>Part Number</i>	<i>Qty.</i>	<i>Description</i>	<i>Ref.</i>	<i>Part Number</i>	<i>Qty.</i>	<i>Description</i>
1	116-6910	1	Ocd Frame ASM W/ Decals	3	323-6	3	Screw-HH
1:2	116-8559	1	Decal, Cover Missing	4	1-353054	1	Latch-Catcher, Grass
1:4	133-8061	1	Decal-Warning	5	104-8301	3	Nut-HF, NI
2	116-6915	1	Ocd Gate ASM	6	116-2792-01	1	Brkt,Chute Front
2:2	116-6914	1	Gate-Ocd	7	107069	1	Clip
2:3	32122-30	3	Screw-PTH	8	116-7861-01	1	Bracket, Cable Mount
2:4	3296-12	3	Nut-Lock, NI	9	98-8332	1	Knob

## EXMARK ACCESSORIES AND OPTIONS\*

### MID-MOUNT RIDING ACCESSORIES AND OPTIONS

CUSTOM RIDE SEAT SUSPENSION SYSTEM	OPERATOR CONTROLLED DISCHARGE
FULL SUSPENSION SEAT	SUN SHADE
DECK LIFT ASSIST KIT	TRASH CONTAINER
HITCH KIT	TURF STRIPER
LIGHT KIT	ULTRA VAC COLLECTION SYSTEM
12V POWER PORT	ULTRA VAC QUICK DISPOSAL SYSTEM
MICRO-MULCH SYSTEM	

### OUT-FRONT RIDING ACCESSORIES AND OPTIONS

CUSTOM RIDE SEAT SUSPENSION SYSTEM	SNOW BLADE
DUAL-TAIL WHEEL	SNOWBLOWER
FLOOR PAN EXTENDER	SUN SHADE
HITCH KIT	TRASH CONTAINER
LIGHT KIT	ULTRA VAC COLLECTION SYSTEM
MICRO-MULCH SYSTEM	ULTRA VAC QUICK DISPOSAL SYSTEM
ROLL OVER PROTECTION SYSTEM (ROPS)	WEATHER CAB

### WALK-BEHIND ACCESSORIES AND OPTIONS

GRASS CATCHER	TURF STRIPER
MICRO-MULCH SYSTEM	STANDON

\*Some accessories and options not available for some models.

Place Model No. and Serial No.  
Label Here (Included in the Literature  
Pack) or Fill in Below

Model No. \_\_\_\_\_

Serial No. \_\_\_\_\_

Date Purchased \_\_\_\_\_

Engine Model No. and Spec. No. \_\_\_\_\_

Engine Serial No. (E/No) \_\_\_\_\_

© 2021 Exmark Mfg. Co., Inc.  
415 Industrial Row  
Beatrice, NE 68310  
All Rights Reserved

Part No. 4505-914 Rev. A  
(402) 223-6375  
Fax (402) 223-5489  
Printed in the USA.

