



**Count on it.**

**Parts Catalog**

**Power Clear® 518 ZE  
Snowthrower**

Model No. 38473—Serial No. 409130000 and Up



# Ordering Replacement Parts

To order replacement parts, please supply the part number, the quantity, and the description of each part desired.

## Understanding Reference Numbers

Each identified part in an illustration has a reference number. The reference number for a part also appears in the parts list, along with other information about the part.

This catalog uses two special reference number formats, one to indicate parts in a service assembly and another to indicate the quantity of a given part in an illustration.

## Service Assembly Reference Numbers

Parts in service assemblies have reference numbers in the form a:b. The a represents the reference number of the entire service assembly and the b represents a sequential number unique to each part within the service assembly.

For example, a wheel assembly might be identified by reference number 6, the tire by 6:1, the valve by 6:2, and the wheel by 6:3. When you order the assembly identified by reference number 6, you receive all parts identified by reference numbers 6:1, 6:2, and 6:3. However, you may also order any part individually. Reference numbers of this type appear in illustration and in parts lists.

## Reference Numbers Indicating Quantity

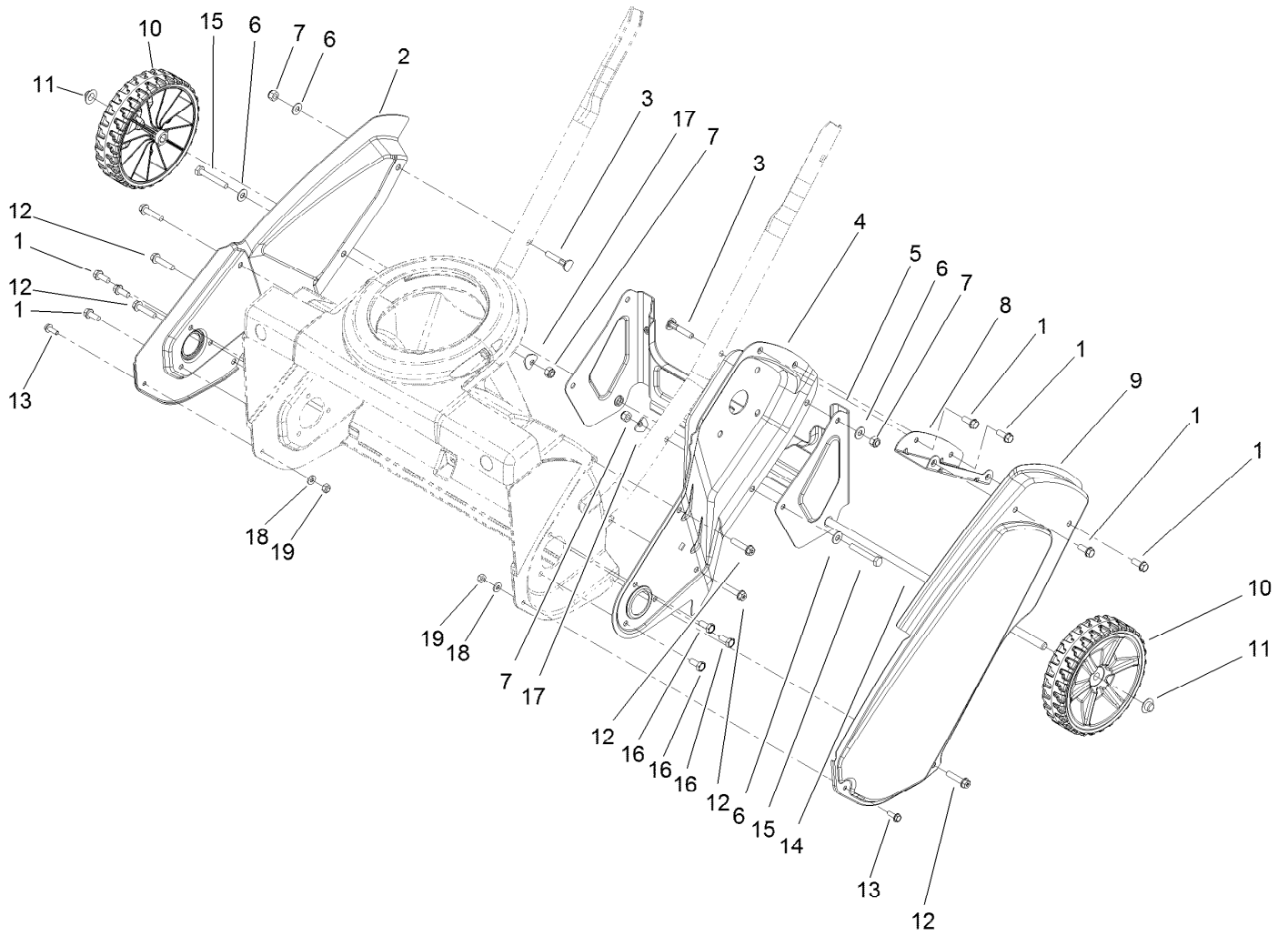
In an illustration, if a reference number indicates more than one part, the reference number has the form nX y. The n represents the quantity of the part, the X is the multiplication symbol, and the y represents the reference number.

For example, in an illustration, the reference number 2X 37 means that two of the parts identified by reference number 37 are indicated.

# Contents

Main Frame and Wheel Assembly .....	4
Auger Housing Assembly .....	6
Rotor Drive Assembly .....	8
Belt and Drive Assembly .....	10
Engine Assembly .....	12
Engine Assembly No. 1 .....	14
Engine Assembly No. 2 .....	16
Engine Assembly No. 3 .....	18
Shroud Assembly .....	20
Handle Assembly .....	22
Deflector Chute Control Assembly .....	24
Attachments and Accessories .....	26

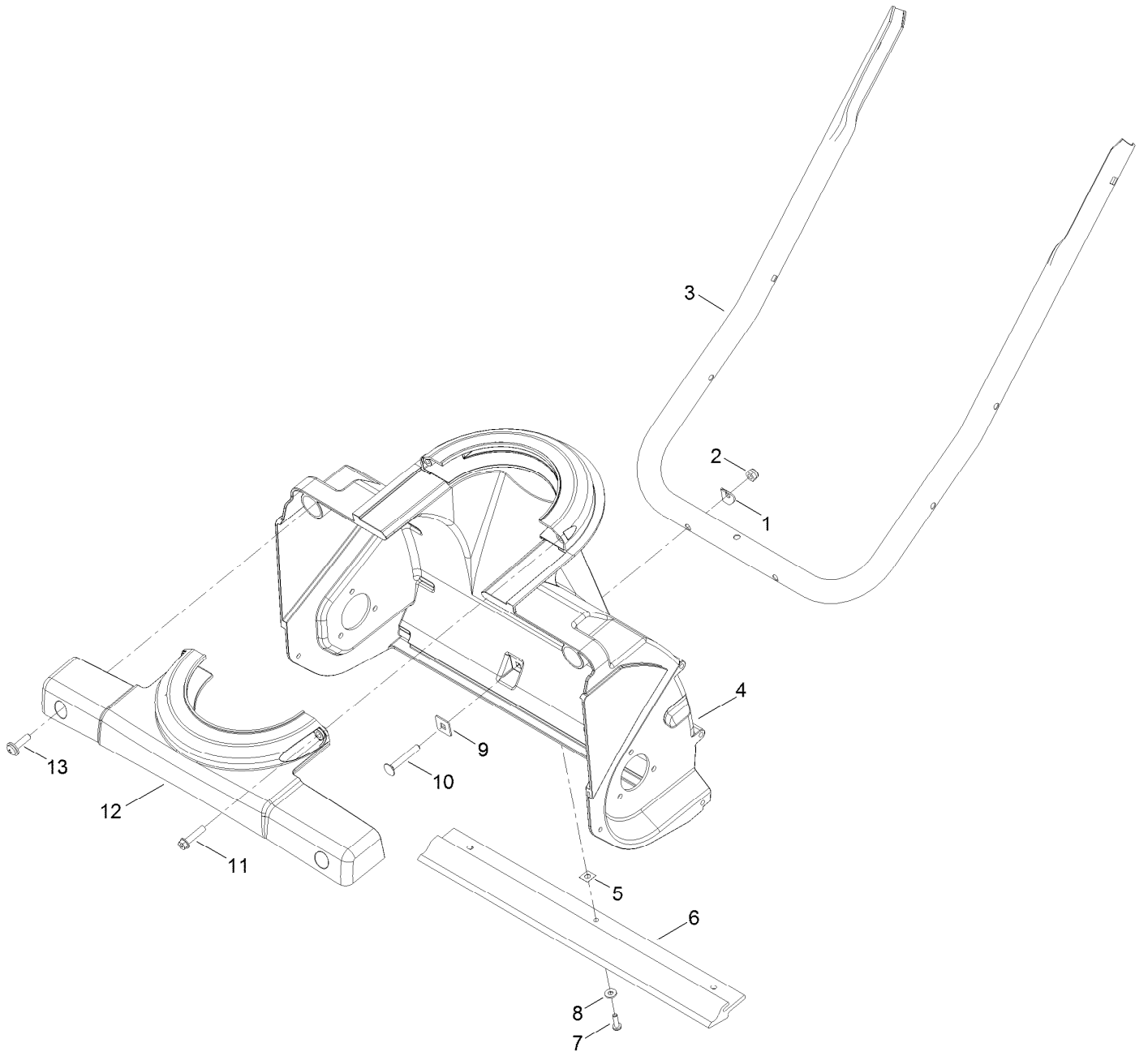
# Main Frame and Wheel Assembly



## Main Frame and Wheel Assembly (continued)

<i>Ref.</i>	<i>Part Number</i>	<i>Qty.</i>	<i>Description</i>	<i>Ref.</i>	<i>Part Number</i>	<i>Qty.</i>	<i>Description</i>
1	32144-85	7	Screw-HWH	11	3290-320	2	Nut-Push
2	117-7704-03	1	Sideplate-RH	12	46-8094	6	Screw-Plastic
3	117-7737	2	Screw-Handle	13	32105-23	2	Screw
4	117-2349-03	1	Sideplate-LH	14	136-7139	1	Axle
5	117-7702-03	1	Bracket-Wheel	15	321-53	2	Screw-HH
6	3256-1	4	Washer-Flat	16	114-9291	3	Screw-HH,Thd Roll
7	3296-73	4	Nut-Lock, NI	17	3-7501	2	Washer
8	117-2334-03	1	Bracket-Cover, Belt	18	3256-14	2	Washer-Flat
9	117-7703-03	1	Cover-Belt	19	3296-2	2	Nut-Lock, NI
10	117-2306	2	Wheel ASM				

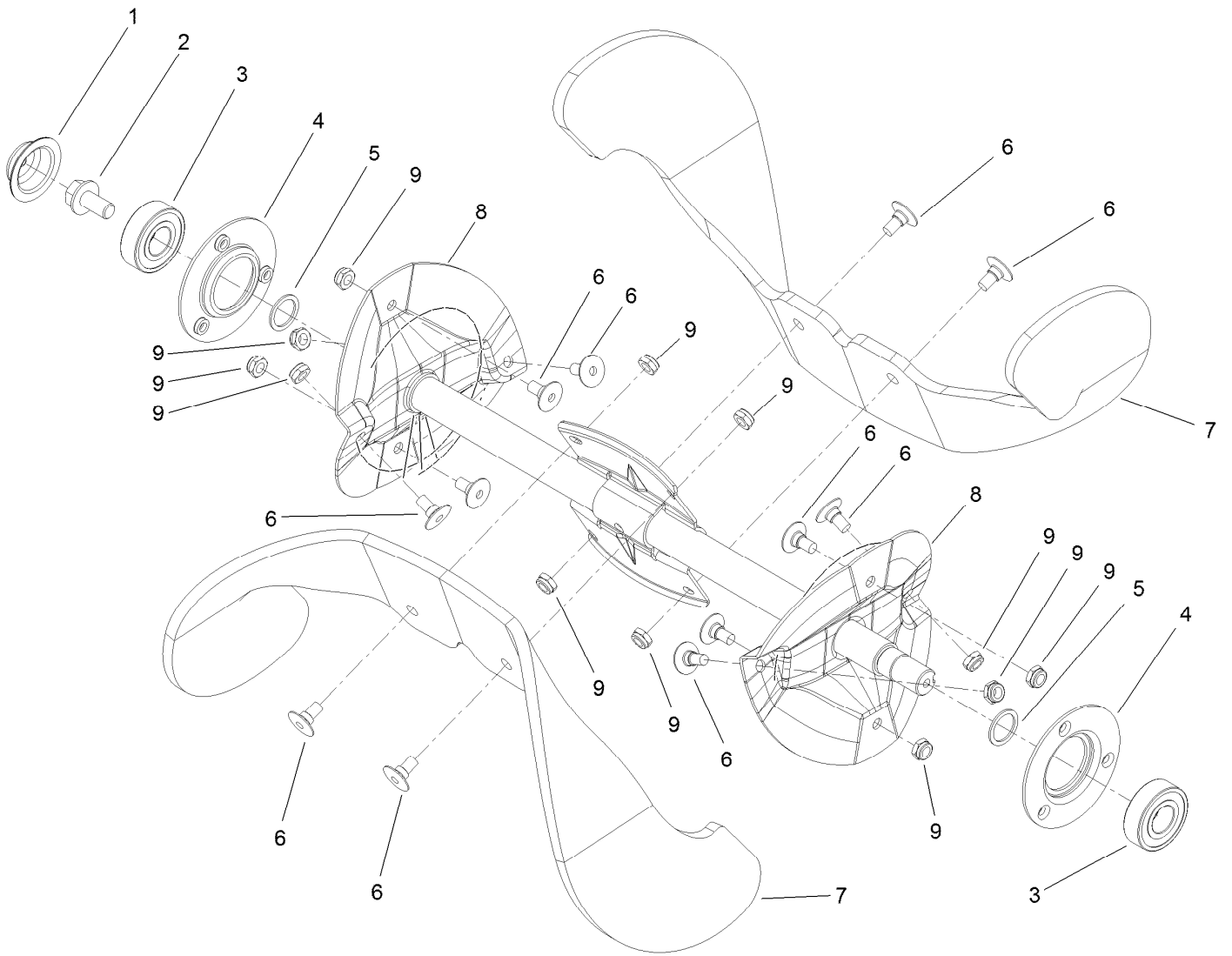
# Auger Housing Assembly



## Auger Housing Assembly (continued)

<i>Ref.</i>	<i>Part Number</i>	<i>Qty.</i>	<i>Description</i>	<i>Ref.</i>	<i>Part Number</i>	<i>Qty.</i>	<i>Description</i>
1	3-7501	2	Washer	8	3256-14	3	Washer-Flat
2	3296-73	2	Nut-Lock, NI	9	75-9040	2	Washer-Square
3	117-2348-03	1	Handle-Lower	10	3229-5	2	Screw-CARR
4	117-2331	1	Housing-Lower	11	46-8094	2	Screw-Plastic
5	32115-19	3	Nut-Clip, U	12	117-2332	1	Retainer-Chute
6	117-7717	1	Scraper	13	110-9361	2	Screw-PPH
7	32144-34	3	Screw-HWHTF				

# Rotor Drive Assembly

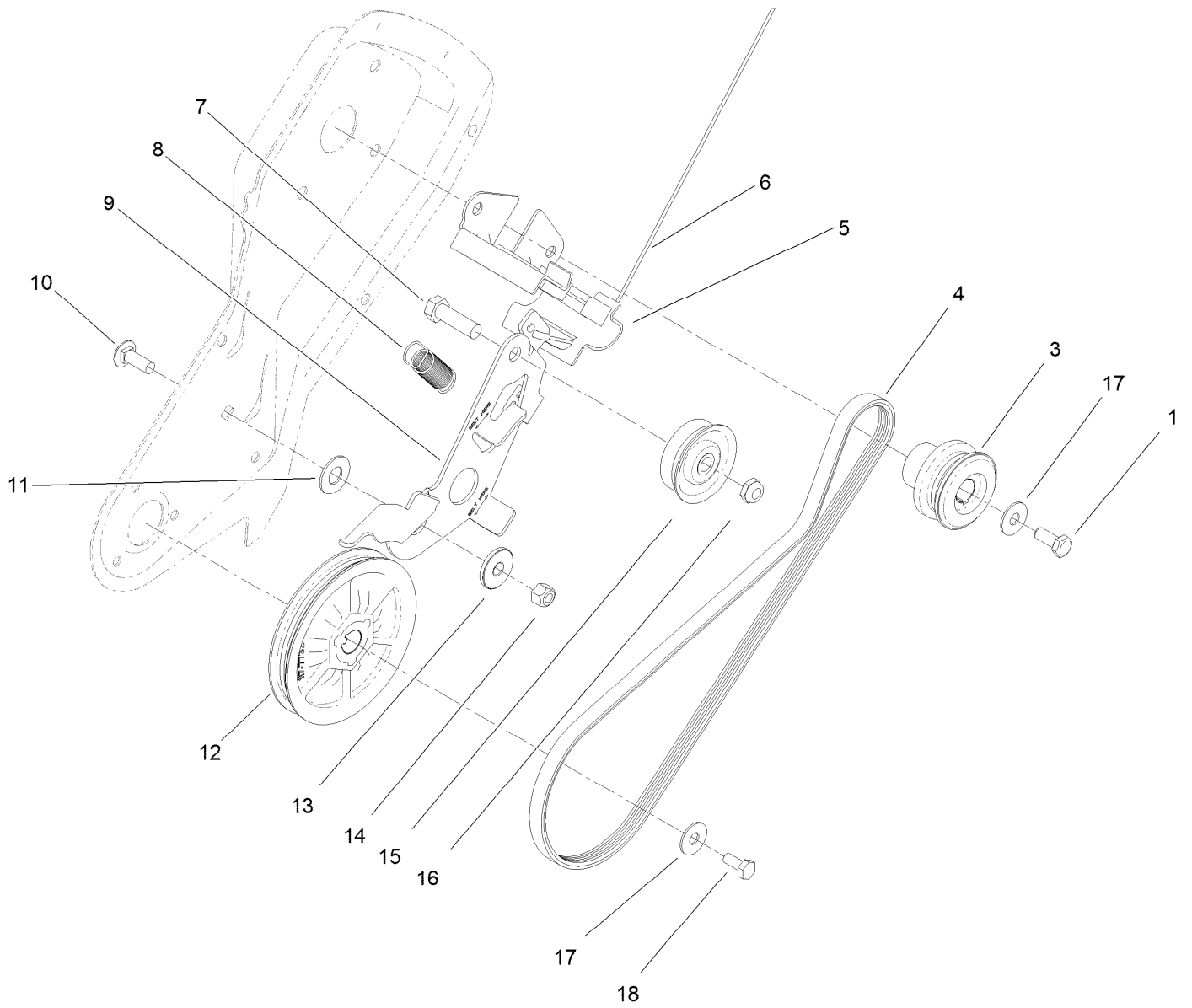




## Rotor Drive Assembly (continued)

<i>Ref.</i>	<i>Part Number</i>	<i>Qty.</i>	<i>Description</i>	<i>Ref.</i>	<i>Part Number</i>	<i>Qty.</i>	<i>Description</i>
1	117-7720	1	Cap-Sideplate, RH	6	84-1970	12	Screw
2	110-9380	1	Screw-HWH	7	117-7700	2	Blade-Rotor
3	38-7820	2	Bearing-Ball	8	117-2315-03	1	Rotor ASM
4	136-7122	2	Flange-Bearing	9	3296-56	12	Nut-Lock, NI
5	52-7280	2	Washer-Thrust				

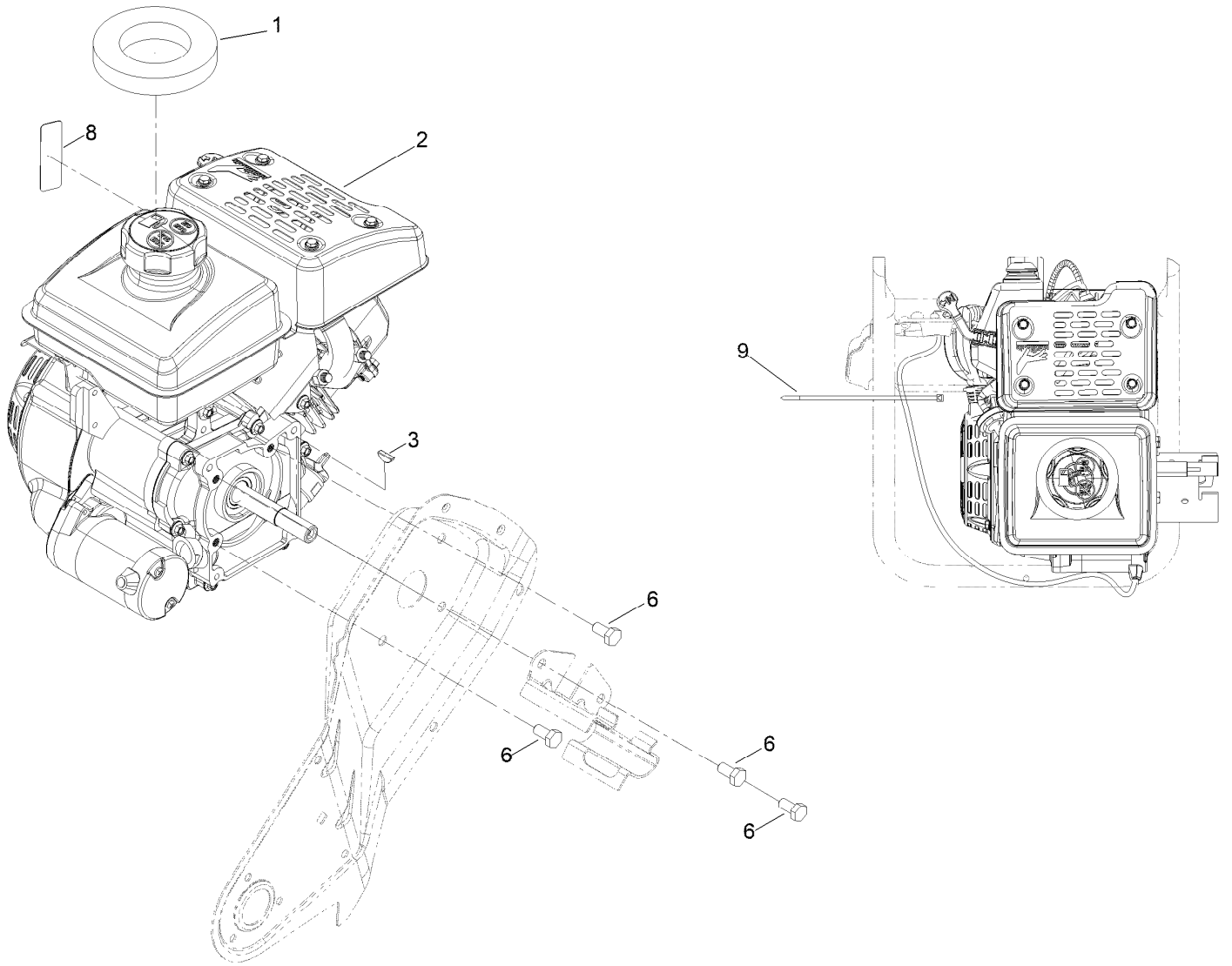
# Belt and Drive Assembly



## Belt and Drive Assembly (continued)

<i>Ref.</i>	<i>Part Number</i>	<i>Qty.</i>	<i>Description</i>	<i>Ref.</i>	<i>Part Number</i>	<i>Qty.</i>	<i>Description</i>
1	3235-6	1	Screw-HH	11	25-5640	1	Washer
3	117-7734	1	Pulley-Engine	12	117-7732	1	Rotor Pulley ASM
4	117-7733	1	Belt-V, Ribbed	13	117-7711	1	Bushing-Idler
5	136-7142	1	Guide-Belt	14	3296-29	1	Nut-Lock, NI
6	117-7721	1	Cable-Clutch	15	117-9105	1	Pulley-Idler
7	323-44	1	Screw-HH	16	3296-59	1	Nut-Lock, NI
8	117-7715	1	Spring-Brake	17	3290-456	2	Washer-Belleville
9	136-7123	1	Arm-Idler	18	110-9381	1	Screw-HH
10	3230-10	1	Bolt-CARR				

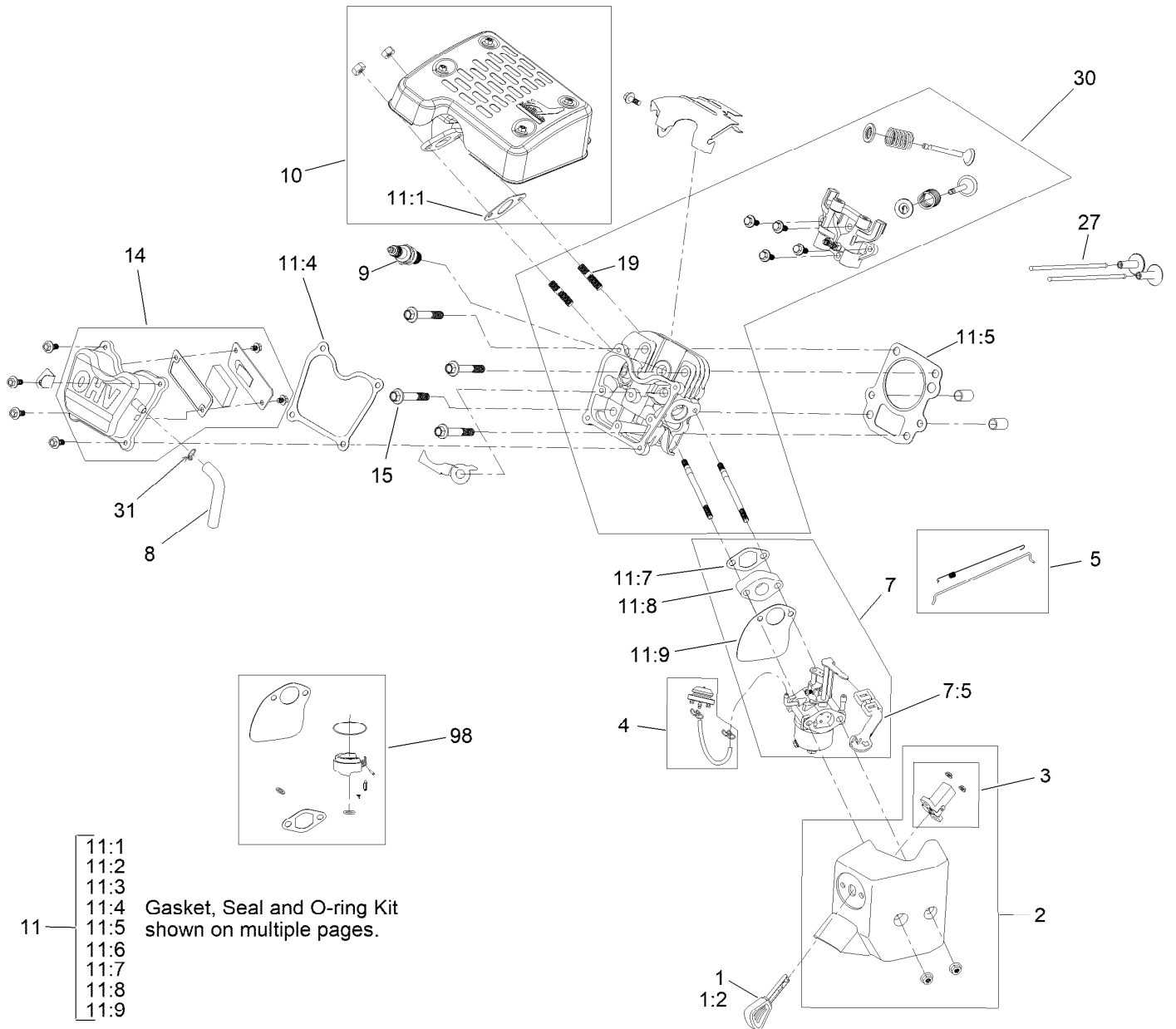
# Engine Assembly



## Engine Assembly (continued)

<i>Ref.</i>	<i>Part Number</i>	<i>Qty.</i>	<i>Description</i>	<i>Ref.</i>	<i>Part Number</i>	<i>Qty.</i>	<i>Description</i>
1	117-7723	1	Seal-Tank	6	99-5132	6	Bolt
2	144-0999	1	Engine-Lc156Fds	8	120-0149	1	Decal-Controls, Engine
3	3257-3	1	Key-Woodruff	9	614249	1	Tie-Cable

# Engine Assembly No. 1

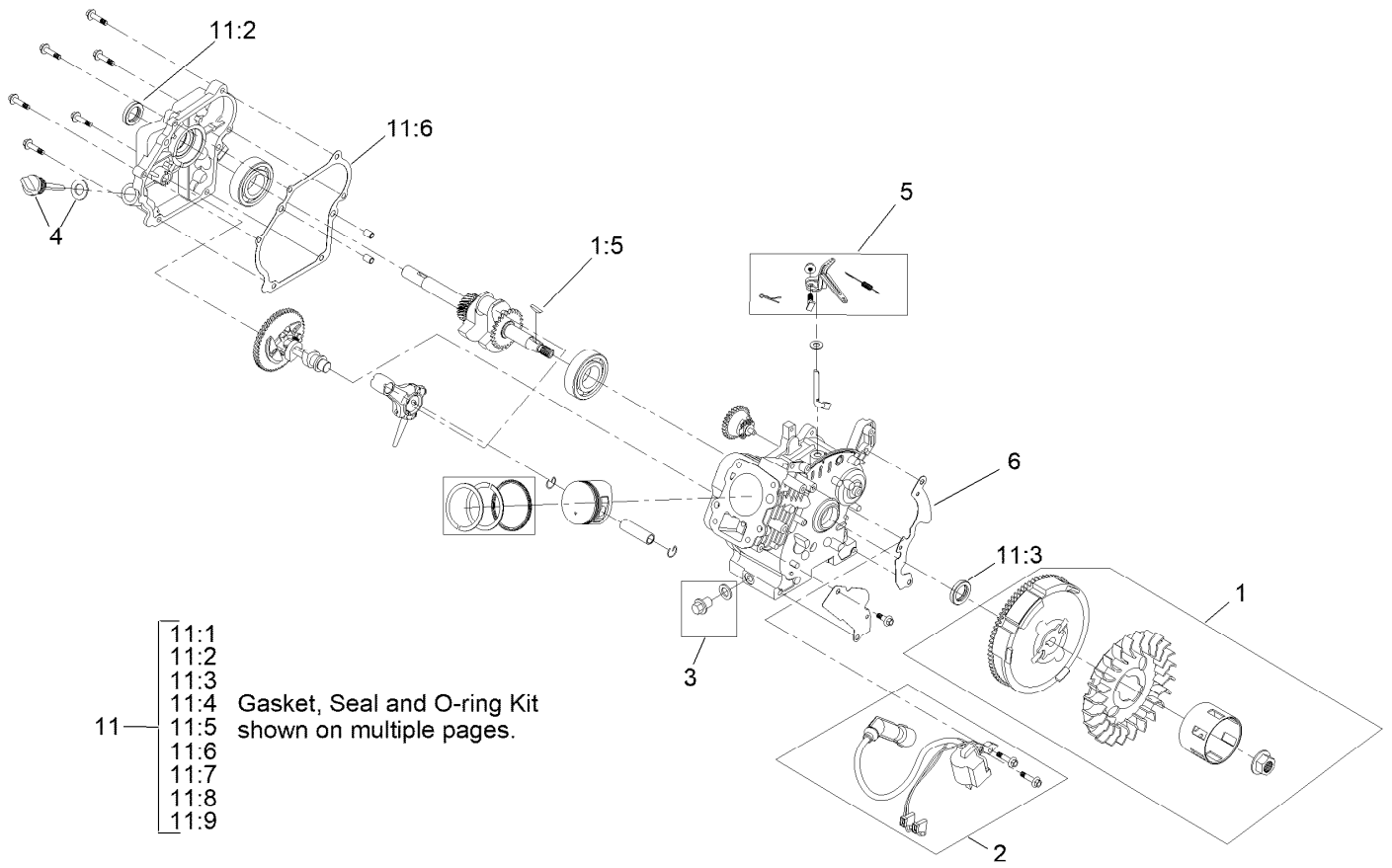


## Engine Assembly No. 1 (continued)

<i>Ref.</i>	<i>Part Number</i>	<i>Qty.</i>	<i>Description</i>	<i>Ref.</i>	<i>Part Number</i>	<i>Qty.</i>	<i>Description</i>
1	119-1929	1	Key And Lanyard Kit	11:3	121-0210	1	Seal-Oil
1:2	117-7728	2	Key	11:4	144-1001	1	Gasket-Cover, Valve
2	119-1982	1	Heater Box Kit	11:5	127-9039	1	Gasket-Head, Cylinder
3	119-1932	1	Switch Kit	11:6	121-0106	1	Gasket-Cover, Crankcase
4	119-1981	1	Primer Bulb Kit	11:7	120-4486	1	Gasket-Insulator
5	121-0489	1	Governor Kit	11:8	121-0093	1	Insulator-Carburetor
7	136-7931	1	Complete Carb Service Kit	11:9	127-9052	1	Gasket-Carburetor
7:5	133-9975	1	Lever-Choke	14	144-1007	1	Valve Cover ASM
8	139-0631	1	Tube-Breather	15	121-0473	4	Screw-HHF
9	121-4199	1	Spark Plug	19	121-0464	2	Stud-Exhaust
10	133-9822	1	Muffler Kit	27	127-9055	2	Rod-Push
11	144-1005	1	Gasket, Seal, And O-Ring Kit	30	133-9825	1	Complete Head ASM
11:1	121-0168	1	Gasket-Exhaust	31	121-0327	1	Clamp-Hose
11:2	121-0207	1	Seal-Oil	98	127-9158	1	Carburetor Repair Kit
				99	127-9300	1	High Altitude Kit ●

● Not illustrated

# Engine Assembly No. 2

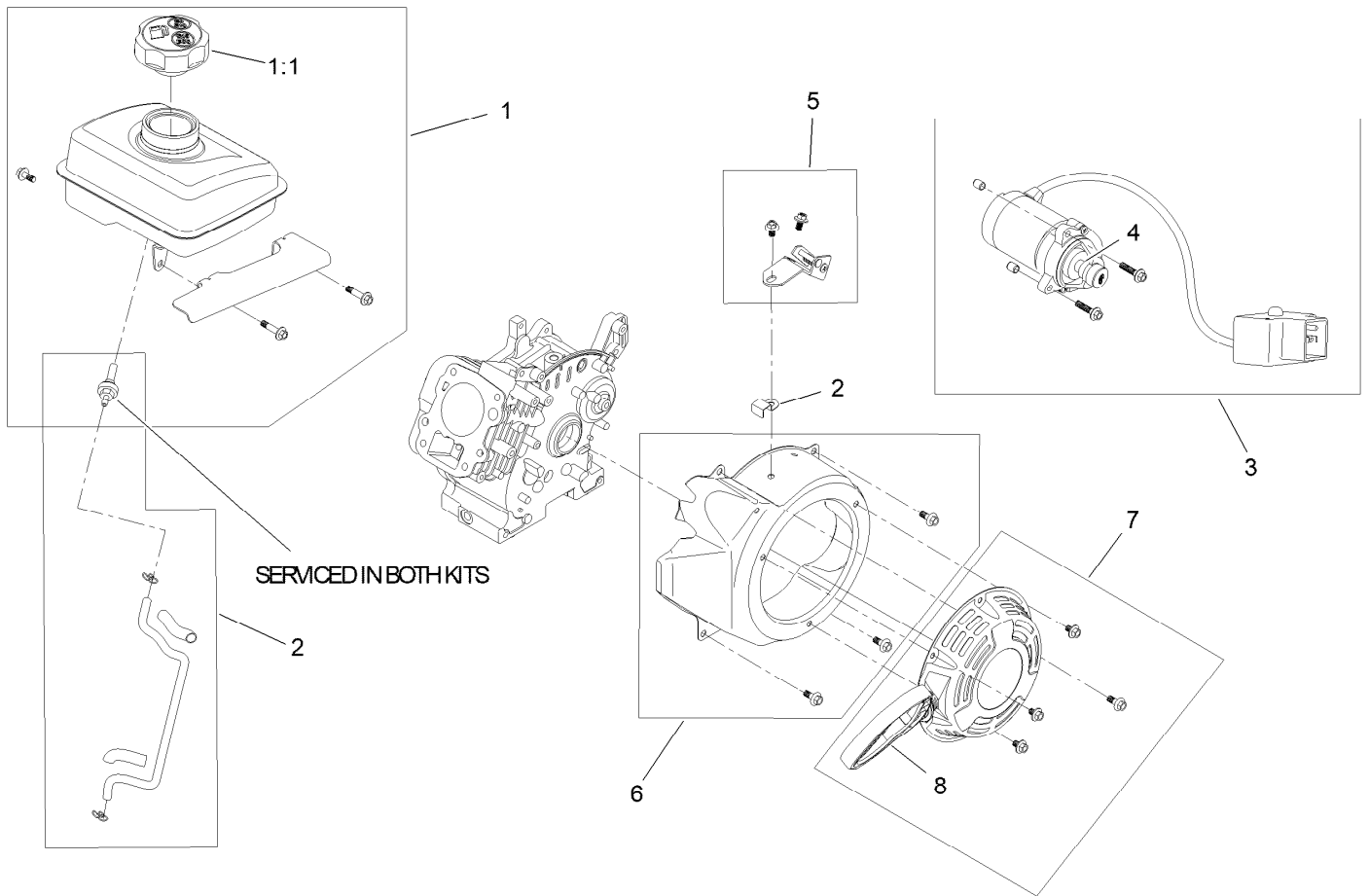




## Engine Assembly No. 2 (continued)

<i>Ref.</i>	<i>Part Number</i>	<i>Qty.</i>	<i>Description</i>	<i>Ref.</i>	<i>Part Number</i>	<i>Qty.</i>	<i>Description</i>
1	119-1933	1	Flywheel Kit	11:1	121-0168	1	Gasket-Exhaust
1:5	121-0206	1	Key-Woodruff	11:2	121-0207	1	Seal-Oil
2	136-7772	1	Ignition Kit	11:3	121-0210	1	Seal-Oil
3	119-1923	1	Drain Plug Kit	11:4	144-1001	1	Gasket-Cover, Valve
4	119-1922	1	Dipstick And O-Ring Kit	11:5	127-9039	1	Gasket-Head, Cylinder
5	121-0489	1	Governor Kit	11:6	121-0106	1	Gasket-Cover, Crankcase
6	119-1926	1	Blower Shroud Kit	11:7	120-4486	1	Gasket-Insulator
11	144-1005	1	Gasket, Seal, And O-Ring Kit	11:8	121-0093	1	Insulator-Carburetor
				11:9	127-9052	1	Gasket-Carburetor

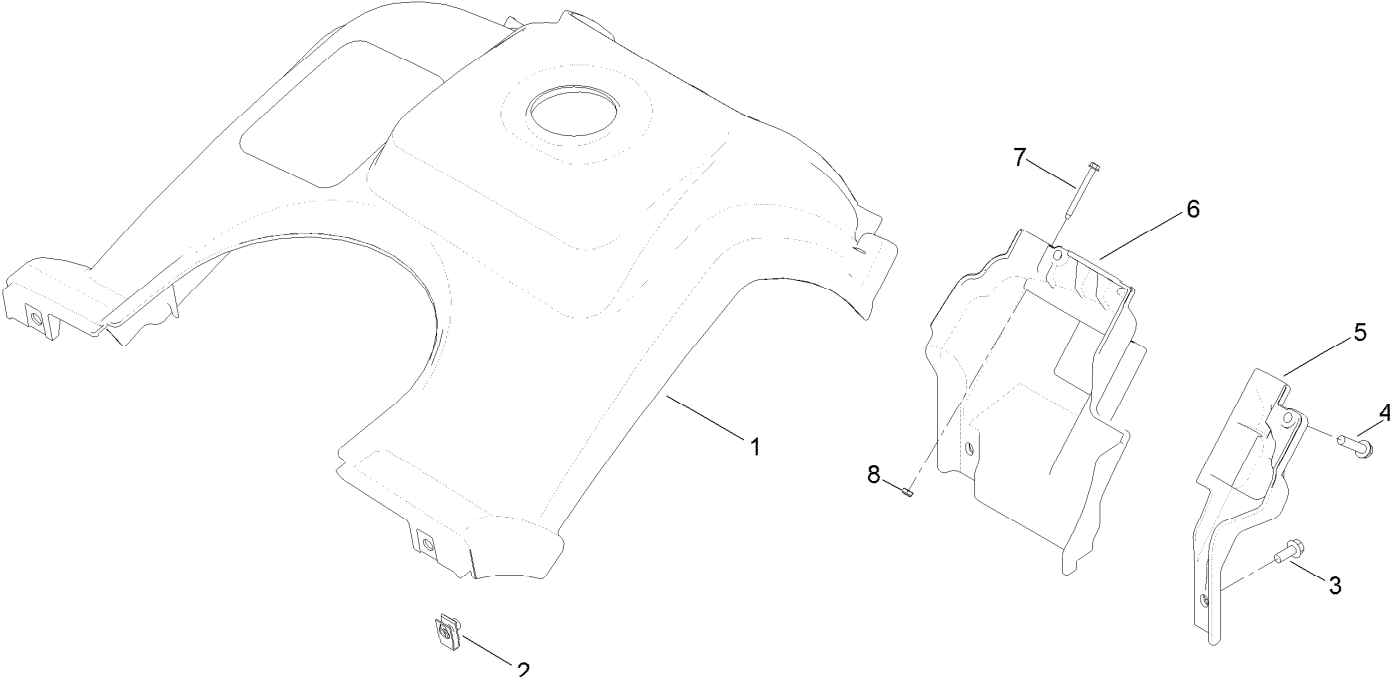
# Engine Assembly No. 3



## Engine Assembly No. 3 (continued)

<i>Ref.</i>	<i>Part Number</i>	<i>Qty.</i>	<i>Description</i>	<i>Ref.</i>	<i>Part Number</i>	<i>Qty.</i>	<i>Description</i>
1	127-9368	1	Fuel Tank And Cap Kit	5	121-0489	1	Governor Kit
1:1	133-9823	1	Cap-Fuel	6	119-1926	1	Blower Shroud Kit
2	136-7773	1	Fuel Line Kit	7	119-1925	1	Recoil ASM Kit
3	144-0993	1	Electric Starter Kit	8	121-0287	1	Handle-Recoil
4	119-1940	1	Pinion Kit				

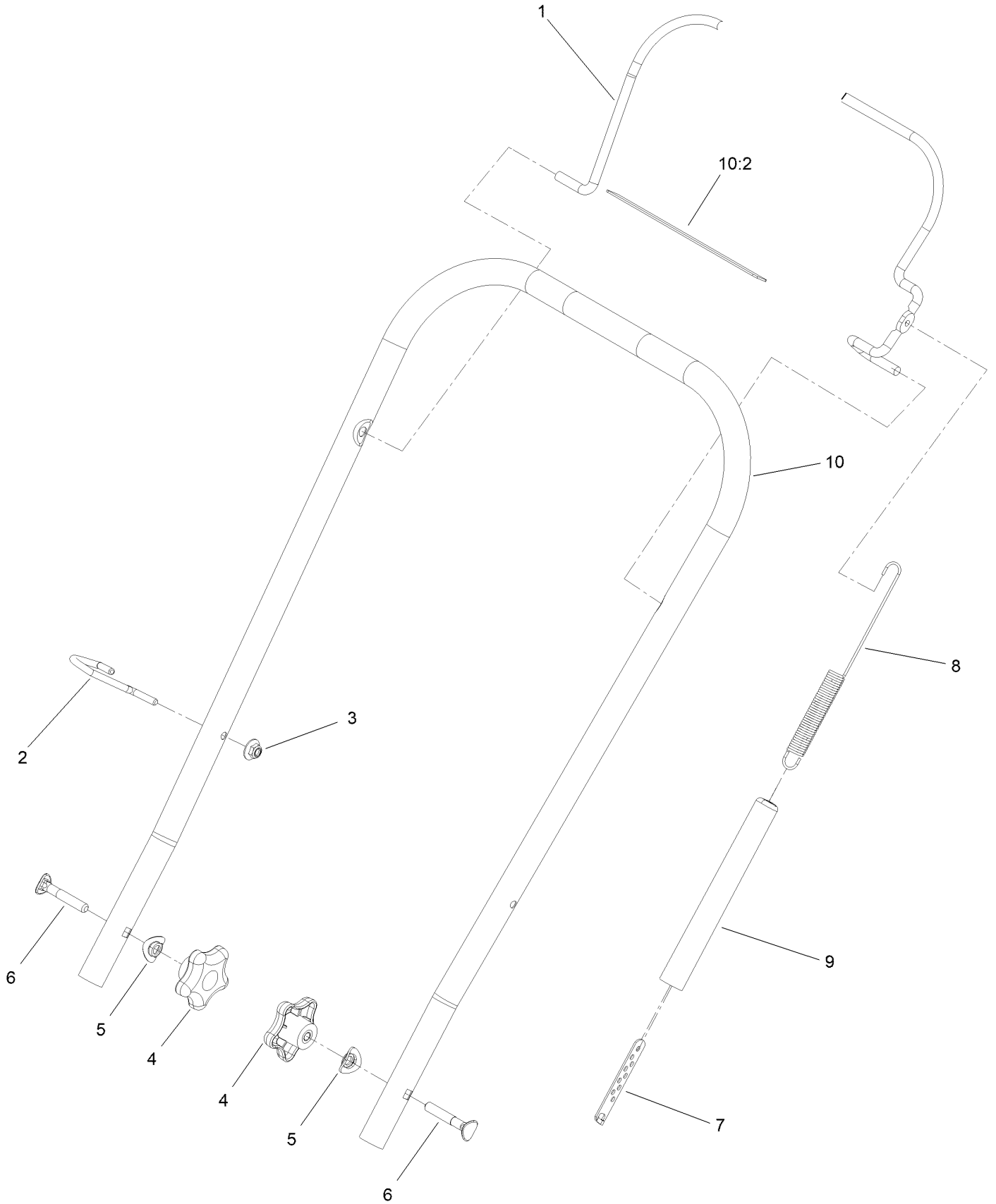
# Shroud Assembly



## Shroud Assembly (continued)

<i>Ref.</i>	<i>Part Number</i>	<i>Qty.</i>	<i>Description</i>	<i>Ref.</i>	<i>Part Number</i>	<i>Qty.</i>	<i>Description</i>
1	127-5970	1	Shroud ASM	5	117-7719	1	Shroud-Lower, LH
2	107069	2	Clip	6	117-7707	1	Shroud-Lower, RH
3	32144-85	2	Screw-HWH	7	117-9106	2	Screw-HWH
4	46-8094	2	Screw-Plastic	8	3296-9	2	Nut-Hex

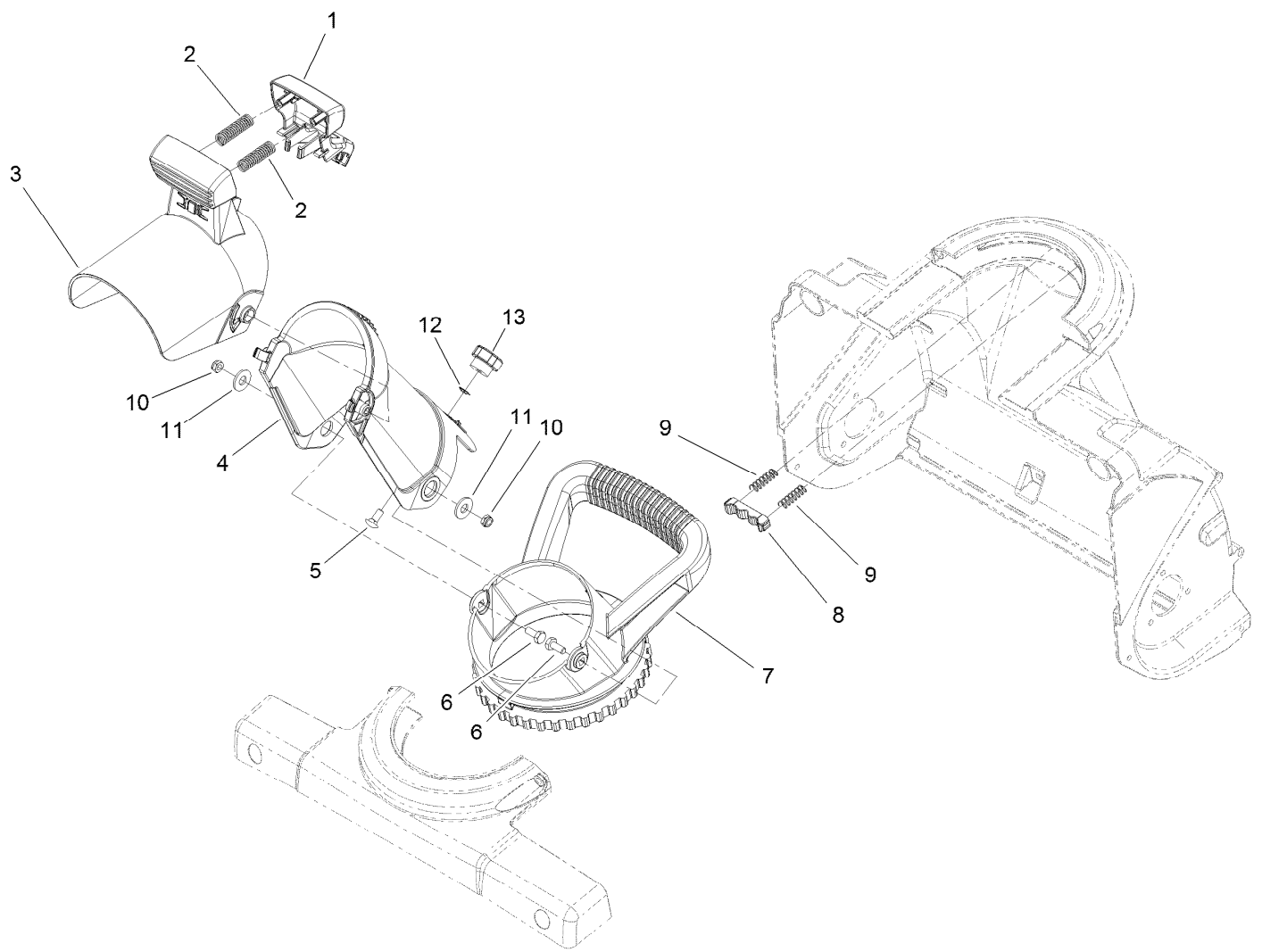
# Handle Assembly



## Handle Assembly (continued)

<i>Ref.</i>	<i>Part Number</i>	<i>Qty.</i>	<i>Description</i>	<i>Ref.</i>	<i>Part Number</i>	<i>Qty.</i>	<i>Description</i>
1	117-7718-03	1	Bail-Clutch	7	136-7126	1	Adjuster-Cable, Clutch
2	136-7144	1	Guide-Rope	8	119-2913	1	Spring-Clutch
3	114-3778	1	Nut-HF	9	114-3796	1	Cover-Spring
4	106-4161	2	Knob-Handle	10	117-7743	1	Upper Handle ASM
5	107-3844	2	Washer	10:2	117-7713	1	Decal-Safety
6	92-2260	2	Screw-Handle				

# Deflector Chute Control Assembly





## Deflector Chute Control Assembly (continued)

<i>Ref.</i>	<i>Part Number</i>	<i>Qty.</i>	<i>Description</i>	<i>Ref.</i>	<i>Part Number</i>	<i>Qty.</i>	<i>Description</i>
1	117-2314	1	Trigger-Deflector	8	75-9160	1	Detent-Chute
2	136-7136	2	Spring-Compression	9	75-9170	2	Spring-Compression
3	117-7742	1	Chute Deflector ASM	10	137-3091	2	Nut-Hex
4	117-2312	1	Chute-Discharge	11	137-3082	2	Washer-Plain
5	100-1445	1	Bolt-CARR	12	32115-15	1	Nut-Push
6	137-3041	2	Screw-HH	13	233-67	1	Knob-Chute
7	117-2345	1	Handle-Chute				

# Attachments and Accessories

## For 38473 Power Clear 518 ZE Snowthrower

<b>Product Name</b>	<b>Model/Part</b>
High-Altitude Kit.....	121-4239
Engine Maintenance Kit.....	138-0698
Paddle Replacement Kit.....	38266
Case of 24 12-Ounce Bottles 5W30 Winter Oil .....	38907
Toro Snow Oil 0W30 Synthetic 20-Ounce Bottle .....	38913

**Notes:**



**Count on it.**