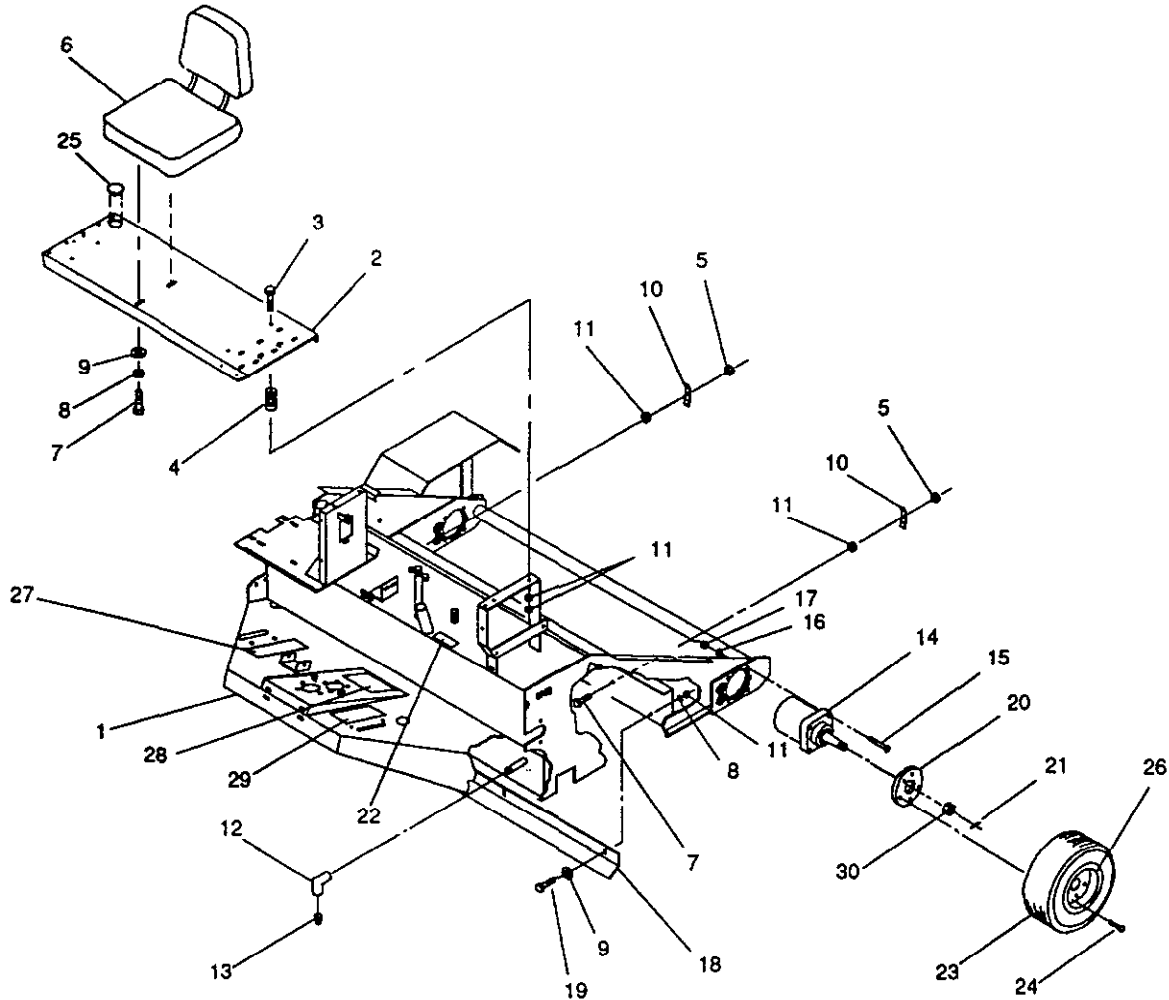




MODEL NO. 44040 - 20101 & UP
 MODEL NO. 44045 - 20101 & UP

**PARTS
 CATALOG**

TURF SWEEPER 4800



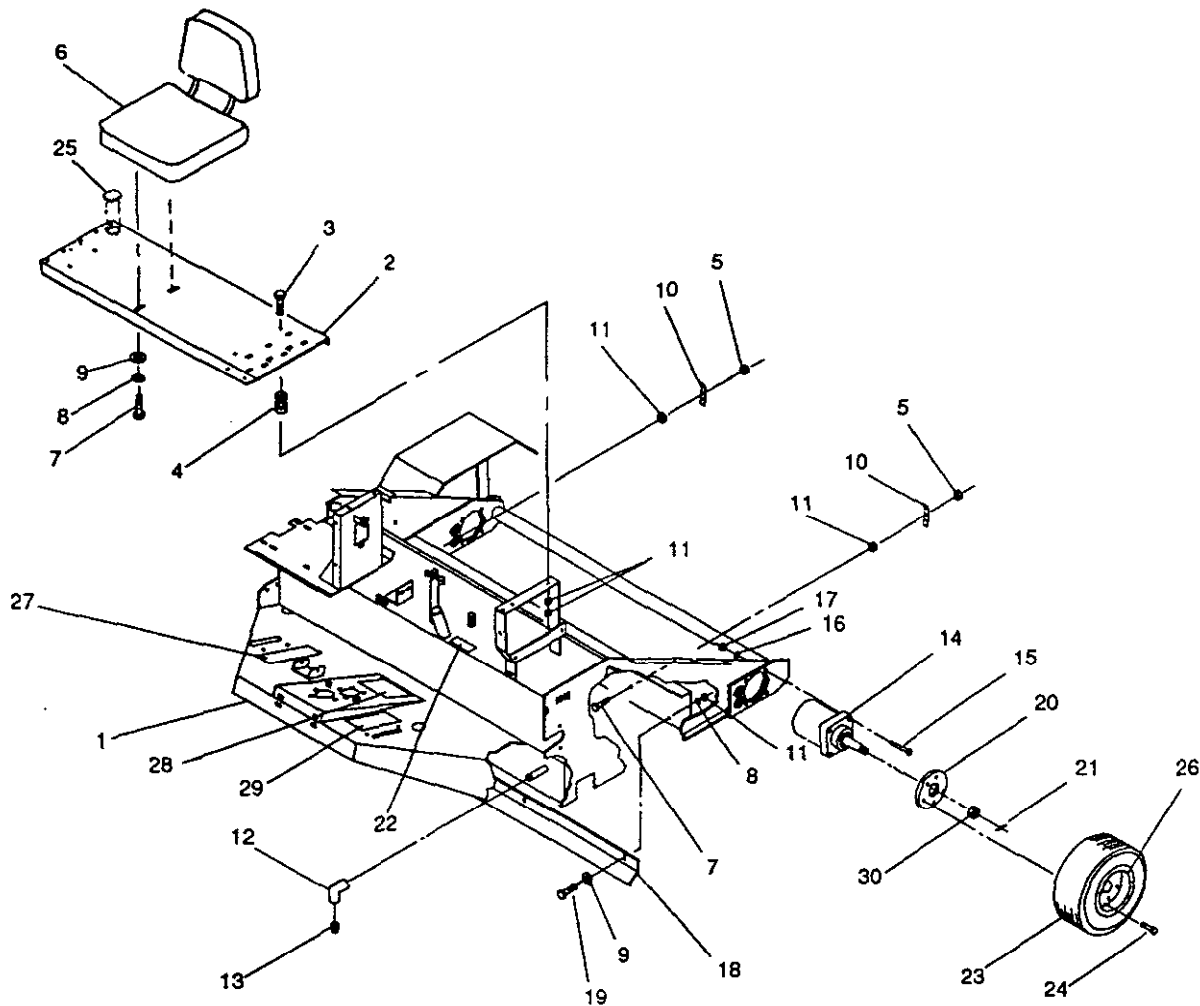
MAIN FRAME ASSEMBLY

48-001

Ref. No.	Part No.	Description	No. Used
1	48-005-0764	Main Frame	1
2	48-005-0462	Seat Mount	1
3	323-10	Capscrew - Hex Hd.	4
4	01-261-0240	Spring	4
5	3296-22	Lock Nut	2
6	01-286-0220	Seat	1
7	01-182-0616	Capscrew - Hex Hd.	4
8	3253-5	Lock Washer	5
9	3256-4	Flat Washer	5
10	48-004-3431	Hose Hold Down Bracket	2
11	3217-7	Hex Nut	13
12	01-455-0100	Elbow	1
13	01-451-0010	Pipr Plug	1

Ref. No.	Part No.	Description	No. Used
14	01-304-0410	Hydraulic Motor (Incl. Ref. #30)	2
*	01-304-0260	Seal Kit	1
15	325-12	Capscrew - Hex Hd.	8
16	3253-7	Lock Washer	8
17	3217-9	Hex Nut	8
18	48-004-1751	Air Deflector	1
19	323-6	Capscrew - Hex Hd.	3
20	01-269-1000	Hub	2
21	01-151-0170	Cotter Pin	2
22	01-506-0560	Decal - Hydraulic Oil	1
23	01-269-0330	Tire	2
24	01-158-1610	Lug Bolt	10
25	01-288-0020	Hour Meter (Onan)	1
*	01-127-0070	Plastic Plug (B & S)	1

* Not Illustrated

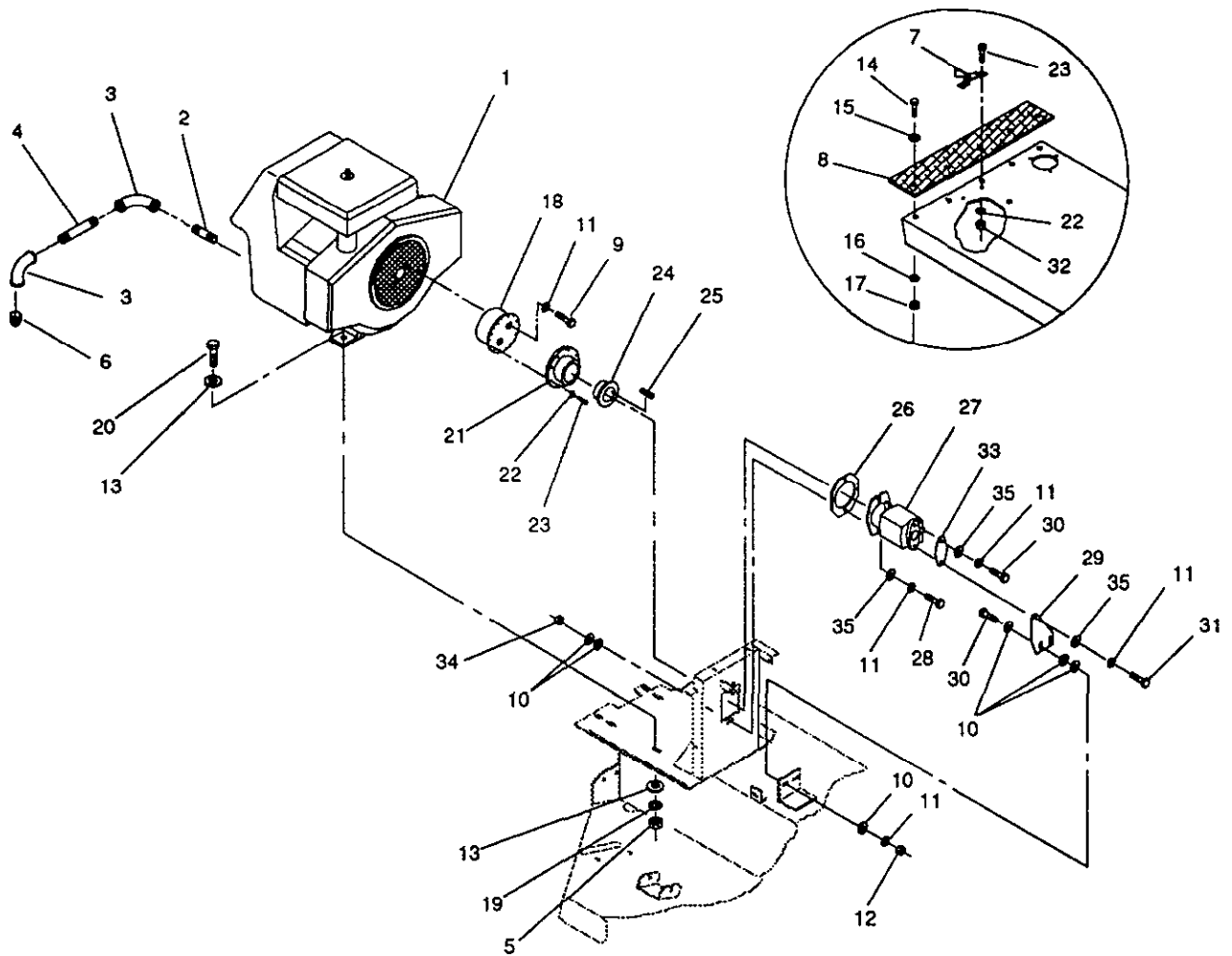


MAIN FRAME ASSEMBLY (Continued)

48-001

Ref. No.	Part No.	Description	No. Used
26	01-269-1020	Wheel	2
27	01-506-0570	Decal - Traction Pedal	1
28	01-506-0090	Decal - Danger	1

Ref. No.	Part No.	Description	No. Used
29	01-506-0980	Decal - Parking Brake	1
30	01-190-1620	Castle Nut (Incl. w/Ref. #14)	2



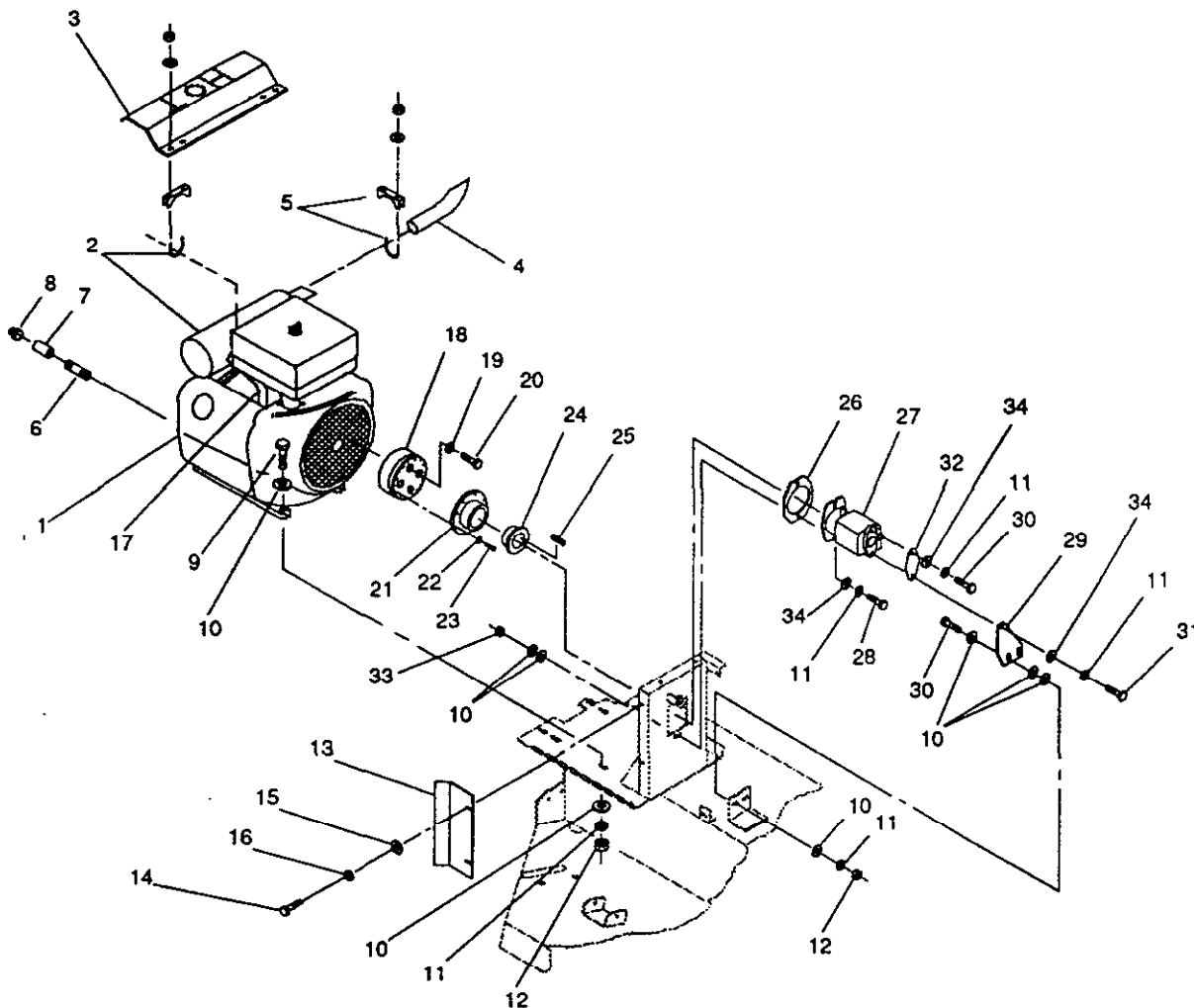
ENGINE MOUNTING - MODEL NO. 44040

48-004

Ref. No.	Part No.	Description	No. Used
1	01-270-1640	Engine	1
*	01-600-0050	Battery Cable (neg.)	1
*	01-600-0060	Battery Cable (pos.)	1
2	01-456-0050	Pipe Nipple	1
3	01-455-0030	Pipe Elbow	2
4	01-456-0070	Pipe Nipple	1
5	3217-6	Hex Nut	4
6	01-451-0020	Pipe Plug	1
7	48-002-0071	Throttle Assembly	1
*	01-256-0020	Throttle Handle	1
*	48-004-4071	Throttle Outer Sheath	1
*	48-004-4081	Throttle Inner Wire	1
8	48-004-6441	Flywheel Guard	1
9	323-8	Capscrew - Hex Hd.	2
10	3256-4	Flat Washer	12
11	3253-5	Lock Washer	8
12	3217-7	Hex Nut	2
13	3256-3	Flat Washer	8
14	321-6	Capscrew - Hex Hd.	5
15	3256-2	Flat Washer	5
16	3253-3	Lock Washer	5
17	3217-5	Hex Nut	5

Ref. No.	Part No.	Description	No. Used
18	48-004-5052	Engine Adaptor	1
19	3253-4	Lock Washer	4
20	322-7	Capscrew - Hex Hd.	4
21	01-265-0180	Flex Coupling	1
22	01-169-0010	Lock Washer	10
23	01-158-0150	Capscrew - Socket Hd.	10
24	01-260-0900	"H" Bushing	1
25	48-004-5071	Key	1
26	48-004-5521	Cessna Pump Spacer	1
27	01-305-0090	Cessna Pump	1
*	48-005-0641	Tow Valve Handle	1
*	01-163-0100	Set Screw	1
*	01-305-0080	Seal Kit	1
28	323-10	Capscrew - Hex Hd.	2
29	48-004-3131	Pump Support	1
30	323-6	Capscrew - Hex Hd.	3
31	323-7	Capscrew - Hex Hd.	1
32	3217-26	Hex Nut	2
33	01-305-0230	Cessna Backing Plate	1
34	3296-22	Lock Nut	2
35	01-166-0620	"SAE" Flat Washer	4

* Not Illustrated



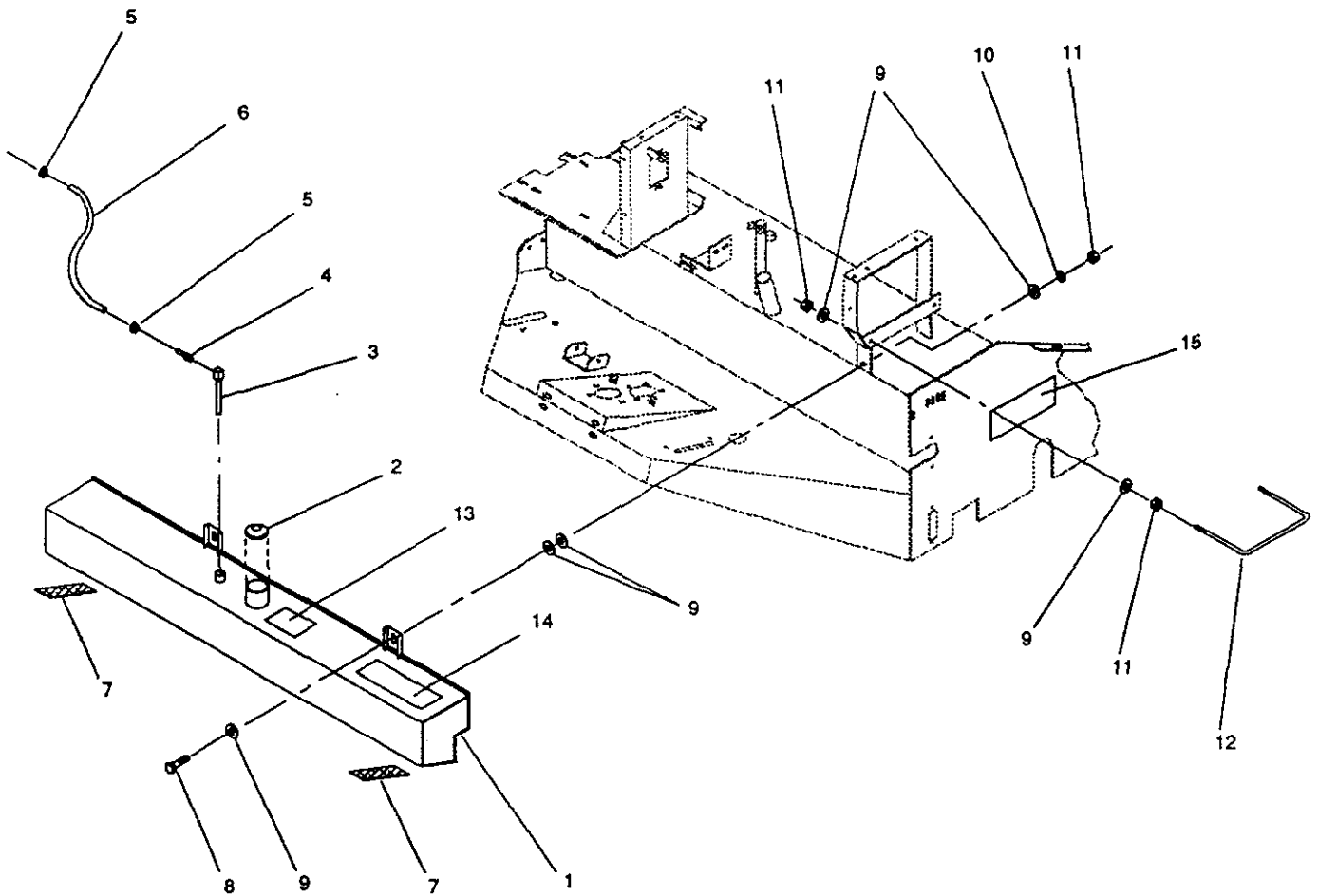
ENGINE MOUNTING - MODEL NO. 44045

48-002

Ref. No.	Part No.	Description	No. Used
1	01-270-1370	Engine	1
*	01-600-0050	Battery Cable (neg.)	1
*	01-600-0190	Battery Cable (pos.)	1
2	01-273-0240	Muffler Kit, includes clamps & muffler	1
3	48-004-5651	Muffler Guard	1
4	01-273-0310	Exhaust Extension	1
5	01-170-0160	Clamp	1
6	01-456-0050	Pipe Nipple	1
7	01-453-0130	Pipe Coupling	1
8	01-451-0020	Pipe Plug	1
9	323-8	Capscrew - Hex Hd.	4
10	3256-4	Flat Washer	20
11	3253-5	Lock Washer	10
12	3217-7	Hex Nut	6
13	48-004-6391	Onan Flywheel Guard	1
14	321-6	Capscrew - Hex Hd.	2
15	3256-2	Flat Washer	2
16	3253-3	Lock Washer	2
17	01-273-0250	Muffler Tube Kit, includes tubes, bolts & gaskets	1

Ref. No.	Part No.	Description	No. Used
18	48-004-5062	Engine Adaptor	1
19	3253-4	Lock Washer	4
20	322-6	Capscrew - Hex Hd.	4
21	01-265-0180	Flex Coupling	1
22	01-169-0010	Lock Washer	8
23	01-158-0150	Capscrew - Socket Hd.	8
24	01-260-0900	"H" Bushing	1
25	48-004-5071	Key	1
26	48-004-5521	Cessna Pump Spacer	1
27	01-305-0090	Cessna Pump	1
*	48-005-0641	Tow Valve Handle	1
*	01-163-0100	Set Screw	1
*	01-305-0080	Seal Kit	1
28	323-10	Capscrew - Hex Hd.	2
29	48-004-3131	Pump Support	1
30	323-6	Capscrew - Hex Hd.	3
31	323-7	Capscrew - Hex Hd.	1
32	01-305-0230	Cessna Backing Plate	1
33	3296-22	Lock Nut	2
34	01-166-0620	"SAE" Flat Washer	4

* Not Illustrated

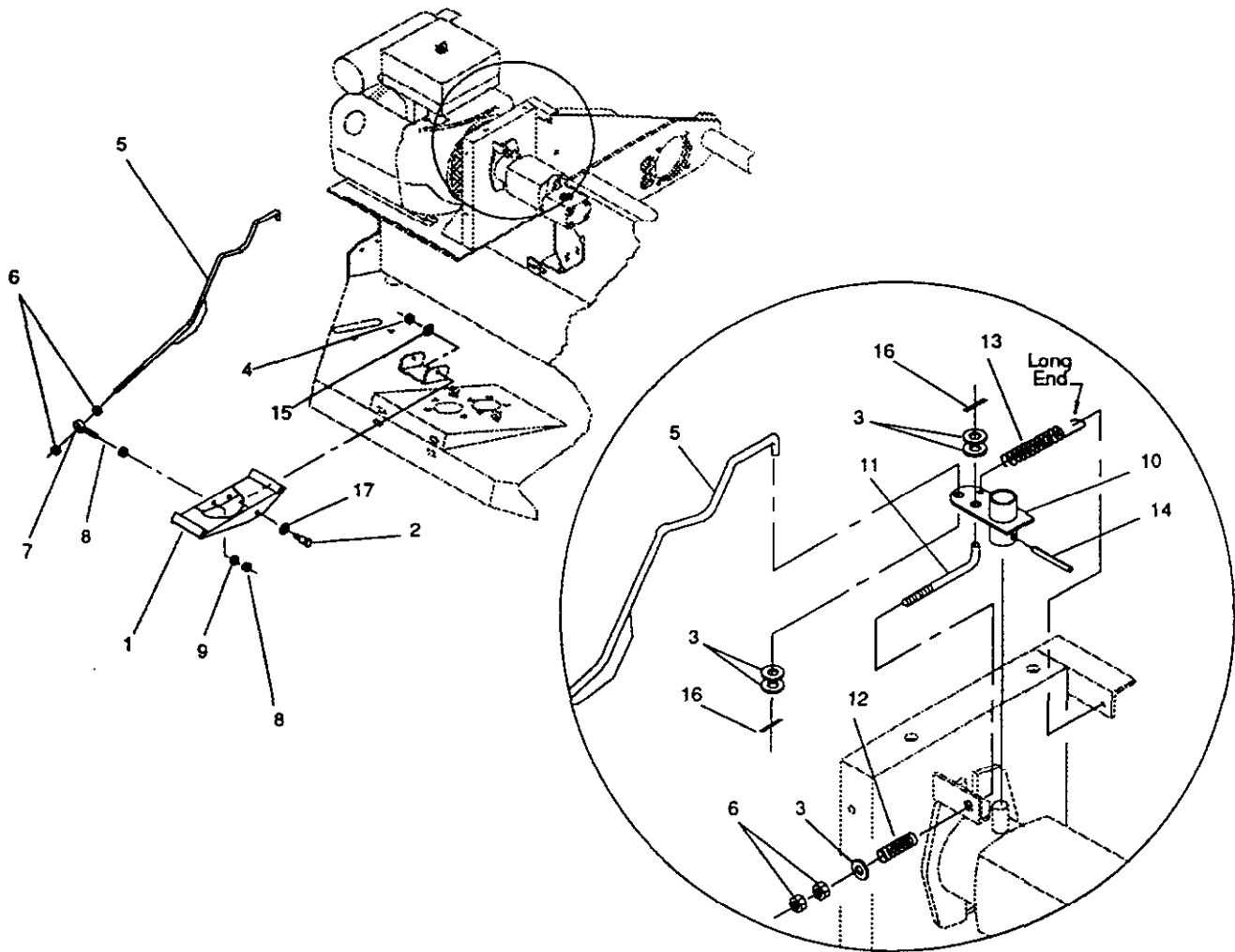


GAS TANK & BATTERY HOLD DOWN

48-007

Ref. No.	Part No.	Description	No. Used	Ref. No.	Part No.	Description	No. Used
1	48-005-0712	Gas Tank	1	8	323-7	Capscrew - Hex Hd.	2
2	01-280-0020	Gas Cap - Type A - Vented	1	9	3256-4	Flat Washer	12
3	01-280-0190	Tank Withdrawal Assembly	1	10	3253-5	Lock Washer	2
4	01-217-0060	Hose Barb	1	11	3217-7	Hex Nut	6
5	01-202-0030	Hose Clamp	2	12	48-004-3831	Battery Hold Down	1
6	48-004-6261	Fuel Line (Onan)	1	13	01-506-0460	Decal - Gas Only	1
*	48-004-4111	Fuel Line (B & S)	1	14	01-506-0540	Decal - No Riders	1
7	48-004-5131	PVK80 Rubber	2	15	01-506-0080	Decal - Danger	2

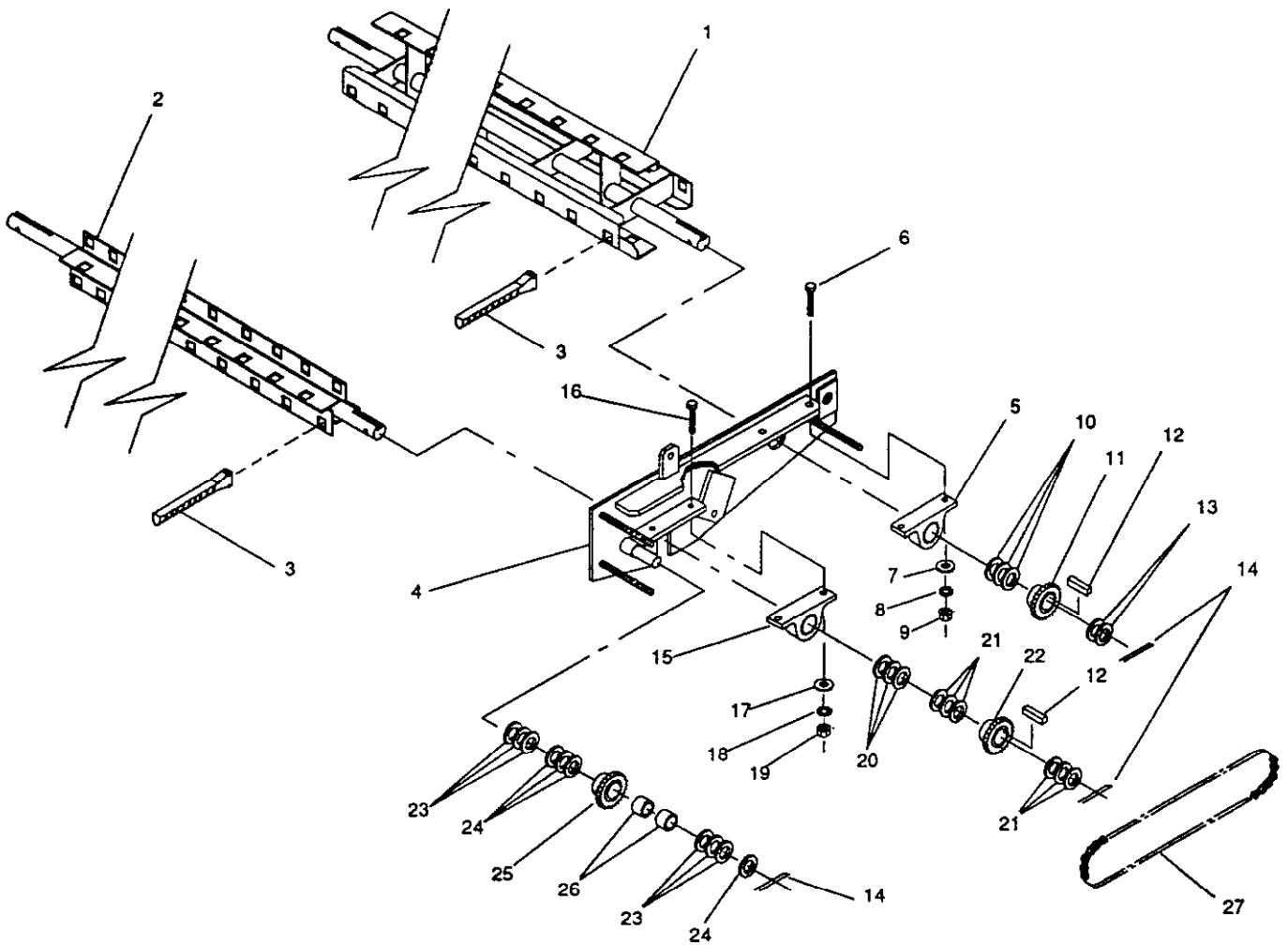
* Not Illustrated



FOOT PEDAL & PUMP CONTROL ROD ASSEMBLY 48-003

Ref. No.	Part No.	Description	No. Used
1	48-005-0621	Foot Pedal	1
2	01-158-0270	Shoulder Bolt	2
3	3256-4	Flat Washer	5
4	01-189-0518	Lock Nut	2
5	48-005-8231	Control Rod	1
6	3217-7	Hex Nut	4
7	01-250-0020	Rod End Bearing	1
8	3220-3	Jam Nut	2
9	3219-3	Hex Nut	1

Ref. No.	Part No.	Description	No. Used
10	48-005-0241	Pump Control Arm Assembly	1
11	48-004-2601	Spring Rod	1
12	01-261-0330	Spring	1
13	01-261-0780	Spring	1
14	32121-12	Roll Pin	1
15	3256-2	Flat Washer	2
16	3272-11	Cotter Pin	2
17	3256-3	Flat Washer	2

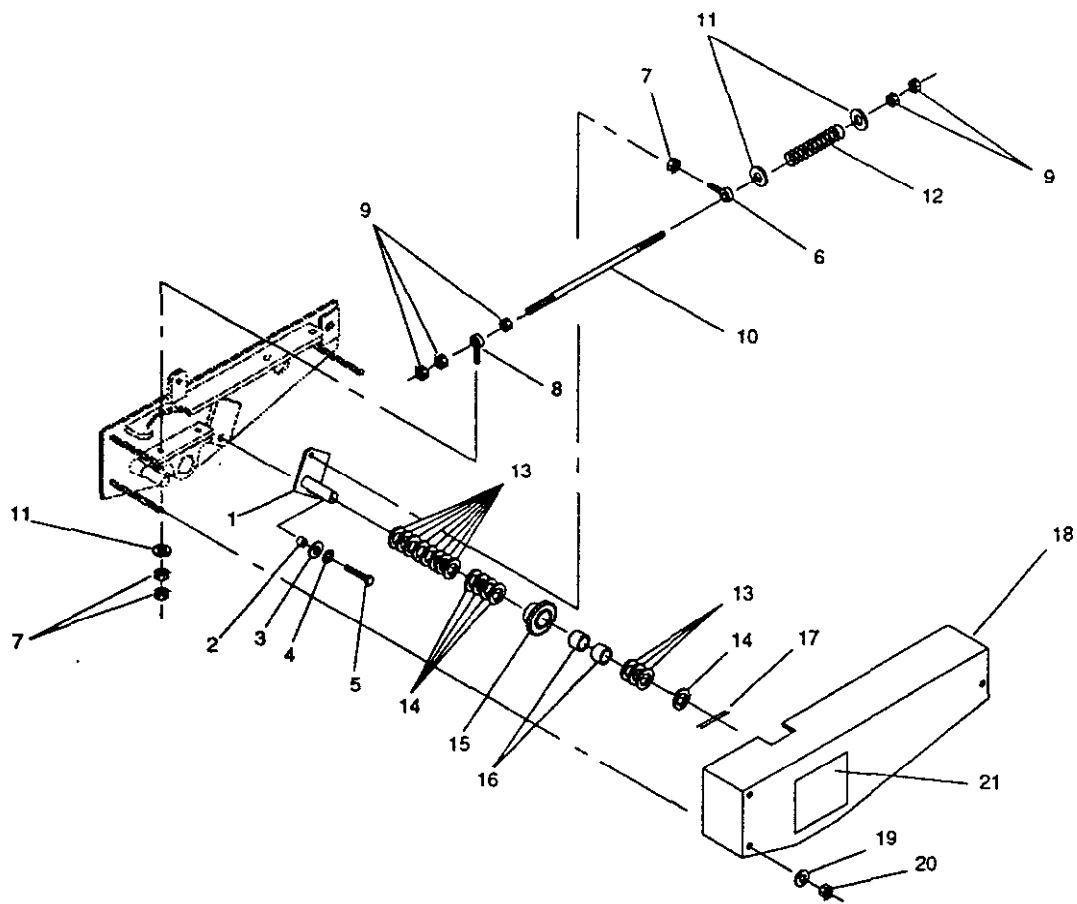


SWEEPER REEL & TIMING CHAIN ASSEMBLY

48-008

Ref. No.	Part No.	Description	No. Used	Ref. No.	Part No.	Description	No. Used
1	48-005-0201	Rear Reel Assembly	1	16	323-8	Capscrew - Hex Hd.	1
2	48-005-0131	Front Reel Assembly	1	17	3256-4	Flat Washer	1
3	01-279-0010	Rubber Fingers	116	18	3253-5	Lock Washer	1
4	48-005-0182	Reel Plate Assembly, L.H.	1	19	3217-7	Hex Nut	1
5	01-113-0020	Bearing	1	20	01-168-1610	Machinery Bushing	3(var)
6	325-7	Capscrew - Hex Hd.	2	21	01-168-1614	Machinery Bushing	6(var)
7	3256-6	Flat Washer	2	22	01-262-0050	Sprocket	1
8	3253-7	Lock Washer	2	23	01-168-1410	Machinery Bushing	6(var)
9	3217-9	Hex Nut	2	24	01-168-1414	Machinery Bushing	4(var)
10	01-168-2014	Machinery Bushing	3(var)	25	01-262-0610	Sprocket	1
11	01-262-0040	Sprocket	1	26	01-105-0520	Needle Bearing	2
12	48-004-1931	Key	2	*	48-002-5441	Idler Sprocket Assembly (Incl. Ref. #25, 26)	1
13	01-168-2010	Machinery Bushing	2	27	48-004-4041	Reel Chain, #50	1
14	3272-23	Cotter Pin	3	*	01-251-0020	Offset Link	1
15	01-113-0010	Bearing	1				

* Not Illustrated



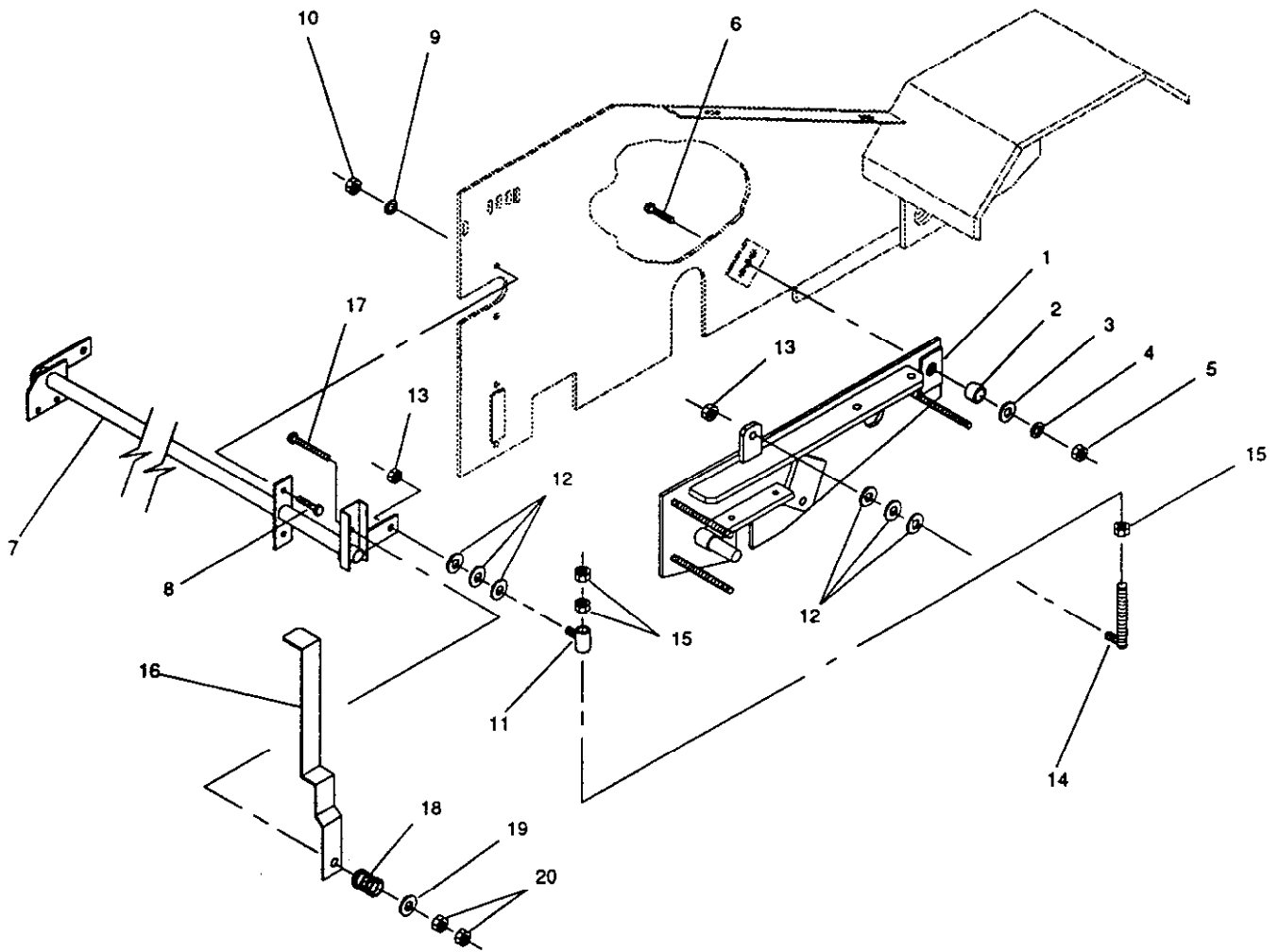
CHAIN IDLER & GUARD ASSEMBLY

48-009

Ref. No.	Part No.	Description	No. Used
1	48-005-0191	Idler Shaft Assembly	1
2	48-004-3881	Spacer	1
3	3256-26	*SAE* Flat Washer	1
4	3253-7	Lock Washer	1
5	325-5	Capscrew - Hex Hd.	1
6	02-250-0020	Rod End Bearing (short)	1
7	3220-3	Jam Nut	3
8	01-250-0020	Rod End Bearing	1
9	3217-7	Hex Nut	5
10	48-004-3891	Idler Spring Rod	1
11	3256-4	Flat Washer	3
12	01-261-0300	Spring	1

Ref. No.	Part No.	Description	No. Used
13	01-168-1410	Machinery Bushing	11(var)
14	01-168-1414	Machinery Bushing	5(var)
15	01-262-0610	Sprocket	1
16	01-105-0520	Needle Bearing	2
*	48-002-5441	Idler Sprocket Assembly (incl. Ref. # 15, 16)	1
17	3272-23	Cotter Pin	1
18	48-005-0162	Idler Cover	1
19	3256-5	Flat Washer	3
20	3296-48	Lock Nut	3
21	01-506-0050	Decal - Danger	1

* Not Illustrated

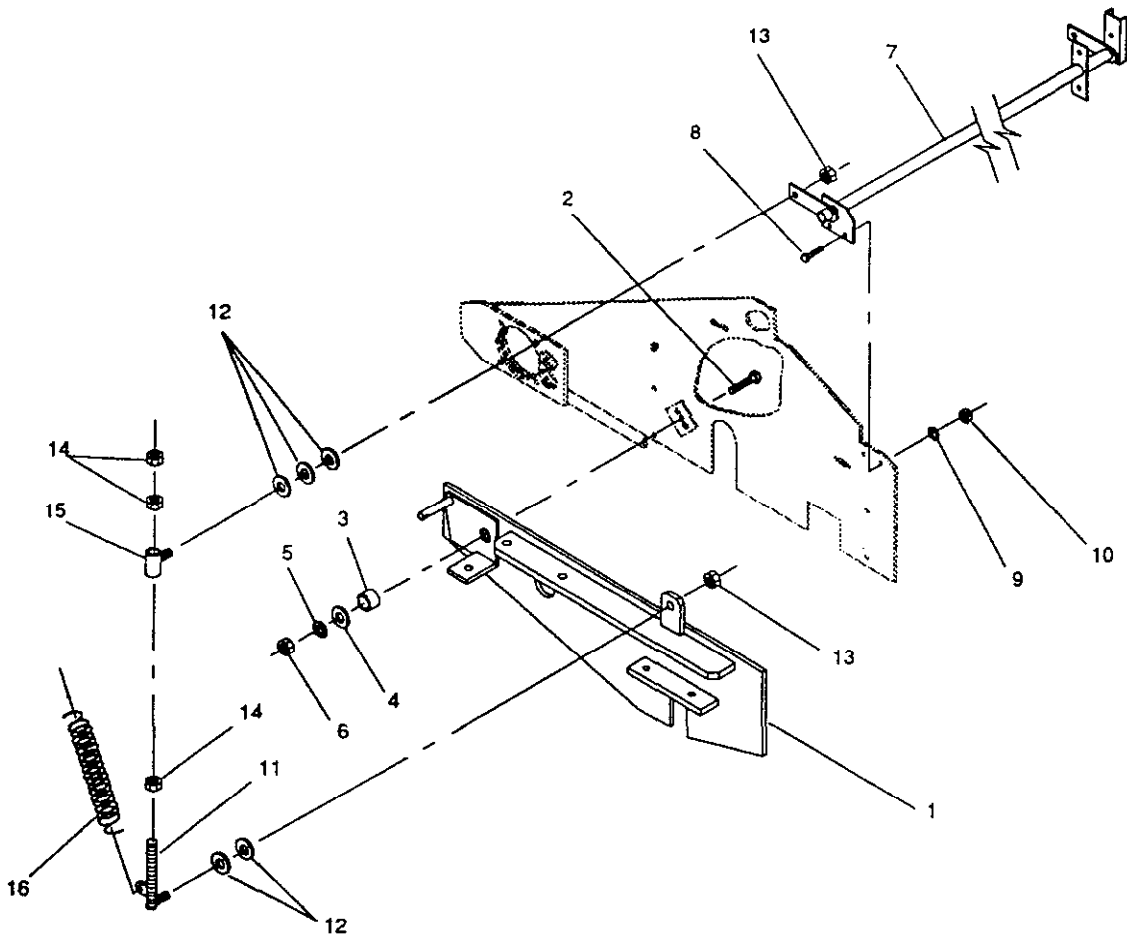


REEL LIFT ASSEMBLY - L.H.

48-010

Ref. No.	Part No.	Description	No. Used
1	48-005-0182	Reel Plate Assembly-L.H.	1
2	48-004-5841	Reel Plate Spacer	1
3	3256-27	"SAE" Flat Washer	1
4	3253-8	Lock Washer	1
5	3218-6	Jam Nut	1
6	327-6	Capscrew - Hex Hd.	1
7	48-005-0432	Reel Lift Assembly	1
8	323-6	Capscrew - Hex Hd.	2
9	3253-5	Lock Washer	2
10	3217-7	Hex Nut	2

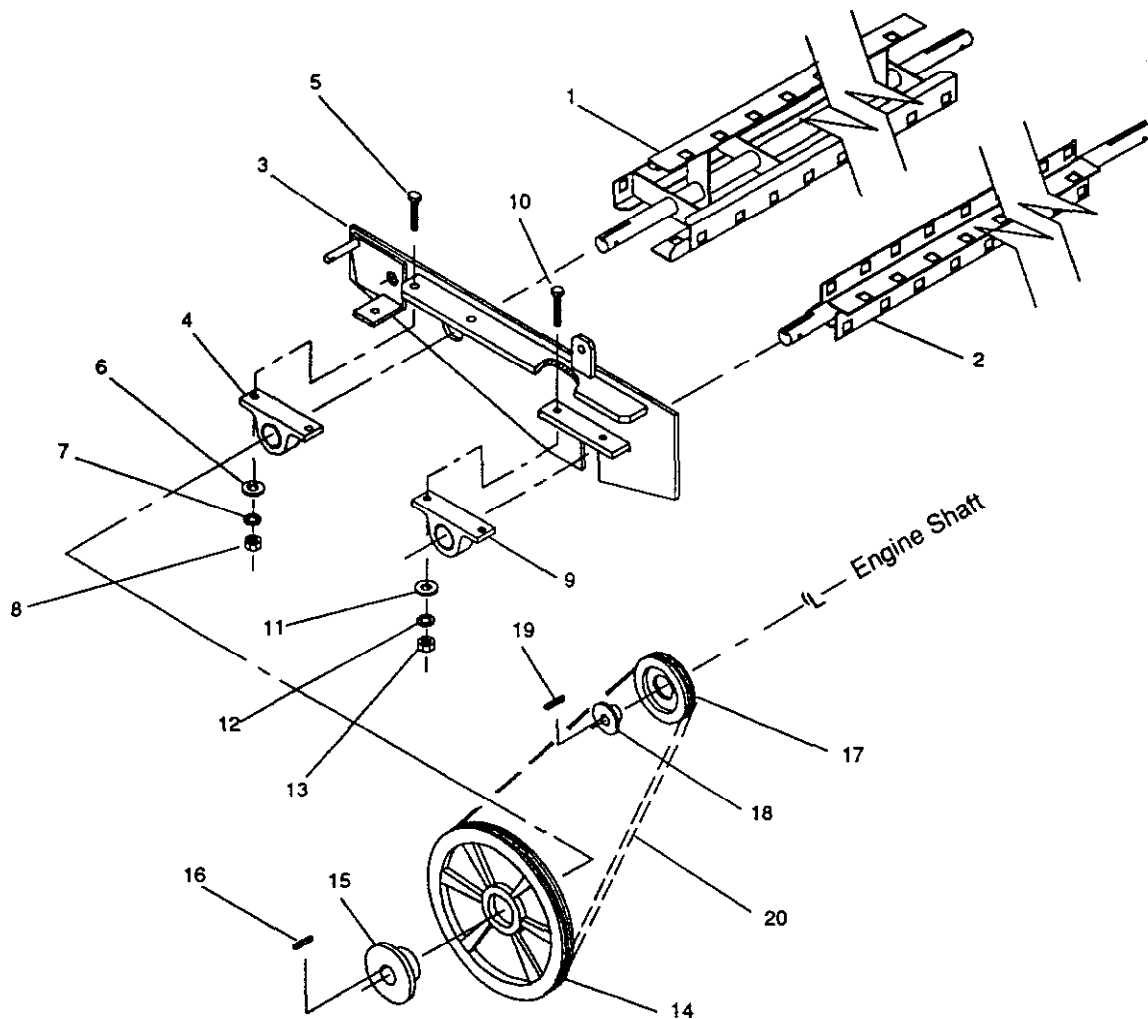
Ref. No.	Part No.	Description	No. Used
11	48-005-0591	Reel Lift Tube Assembly	1
12	3256-6	Flat Washer	6
13	01-189-0813	Lock Nut	2
14	48-005-0231	Reel Lift Rod Assembly-L.H.	1
15	3217-11	Hex Nut	3
16	48-005-0222	Handle	1
17	323-11	Capscrew - Hex Hd.	1
18	01-261-0240	Spring	1
19	3256-4	Flat Washer	1
20	3218-3	Jam Nut	2



REEL LIFT ASSEMBLY - R.H.

48-011

Ref. No.	Part No.	Description	No. Used	Ref. No.	Part No.	Description	No. Used
1	48-005-0172	Reel Plate Assembly-R.H.	1	9	3253-5	Lock Washer	2
2	327-6	Capscrew - Hex Hd.	1	10	3217-7	Hex Nut	2
3	48-004-5841	Reel Plate Spacer	1	11	48-005-5781	Reel Lift Rod Assembly-R.H.	1
4	3256-27	"SAE" Flat Washer	1	12	3256-6	Flat Washer	5
5	3253-8	Lock Washer	1	13	01-189-0813	Lock Nut	2
6	3218-6	Jam Nut	1	14	3217-24	Hex Nut	3
7	48-005-0432	Reel Lift Assembly	1	15	48-005-0591	Reel Lift Tube Assembly	1
8	323-6	Capscrew - Hex Hd.	2	16	01-261-0340	Spring	1

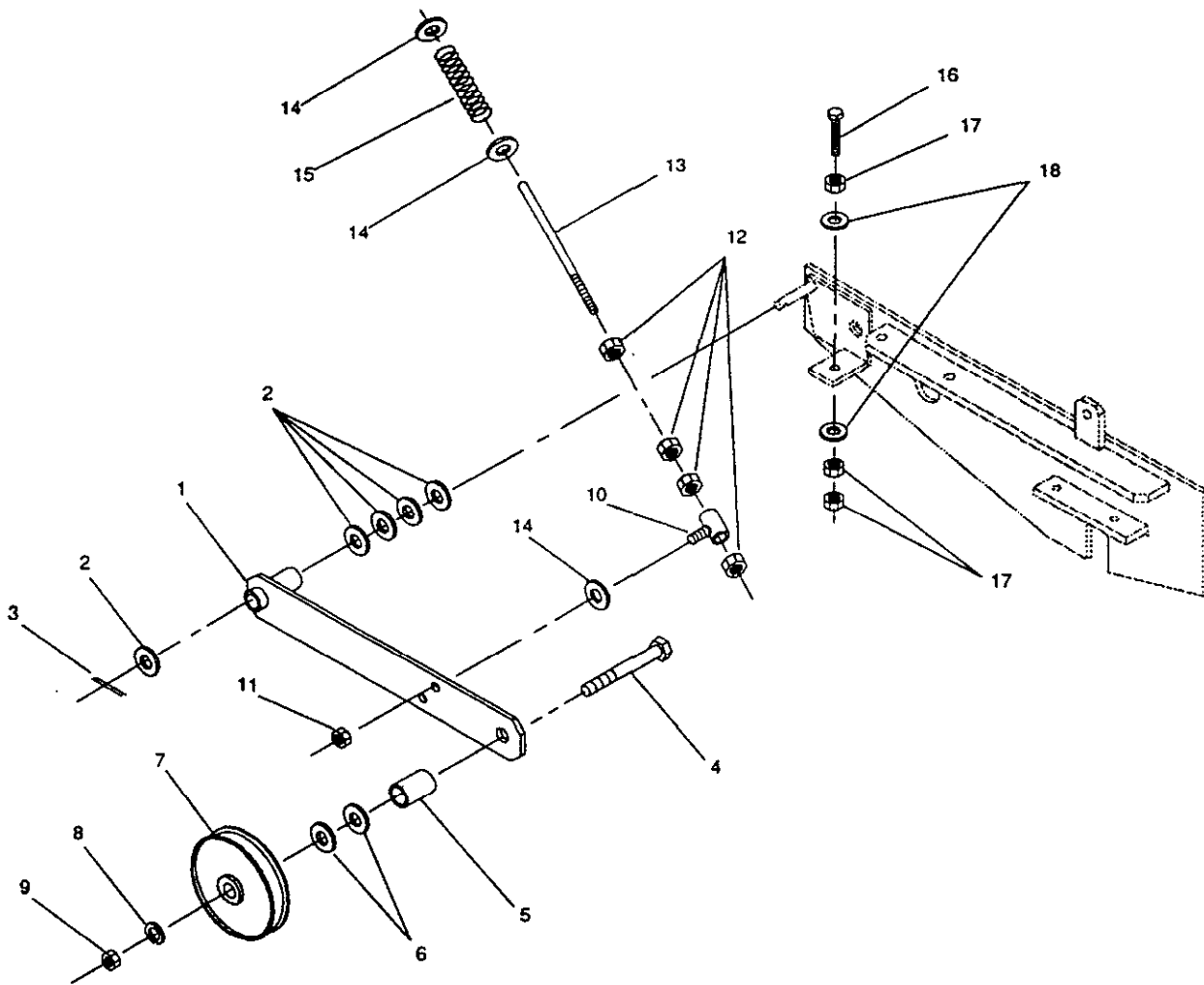


BELT DRIVE ASSEMBLY

48-012

Ref. No.	Part No.	Description	No. Used	Ref. No.	Part No.	Description	No. Used
1	48-005-0201	Rear Reel Assembly	1	12	3253-5	Lock Washer	2
2	48-005-0131	Front Reel Assembly	1	13	3217-7	Hex Nut	2
3	48-005-0172	Reel Plate Assembly-R.H.	1	14	01-260-0010	Sheave	1
4	01-113-0020	Bearing	1	15	01-260-0290	Bushing	1
5	325-7	Capscrew - Hex Hd.	2	16	66-004-3211	Key	1
6	3256-6	Flat Washer	2	17	01-260-0110	Sheave	1
7	3253-7	Lock Washer	2	18	01-260-0780	Bushing (Oran)	1
8	3217-9	Hex Nut	2	*	01-260-0280	Bushing (B & S)	1
9	01-113-0010	Bearing	1	19	82-004-1171	Key	1
10	323-8	Capscrew - Hex Hd.	2	20	01-264-0010	Belt	1
11	3256-4	Flat Washer	2				

* Not Illustrated

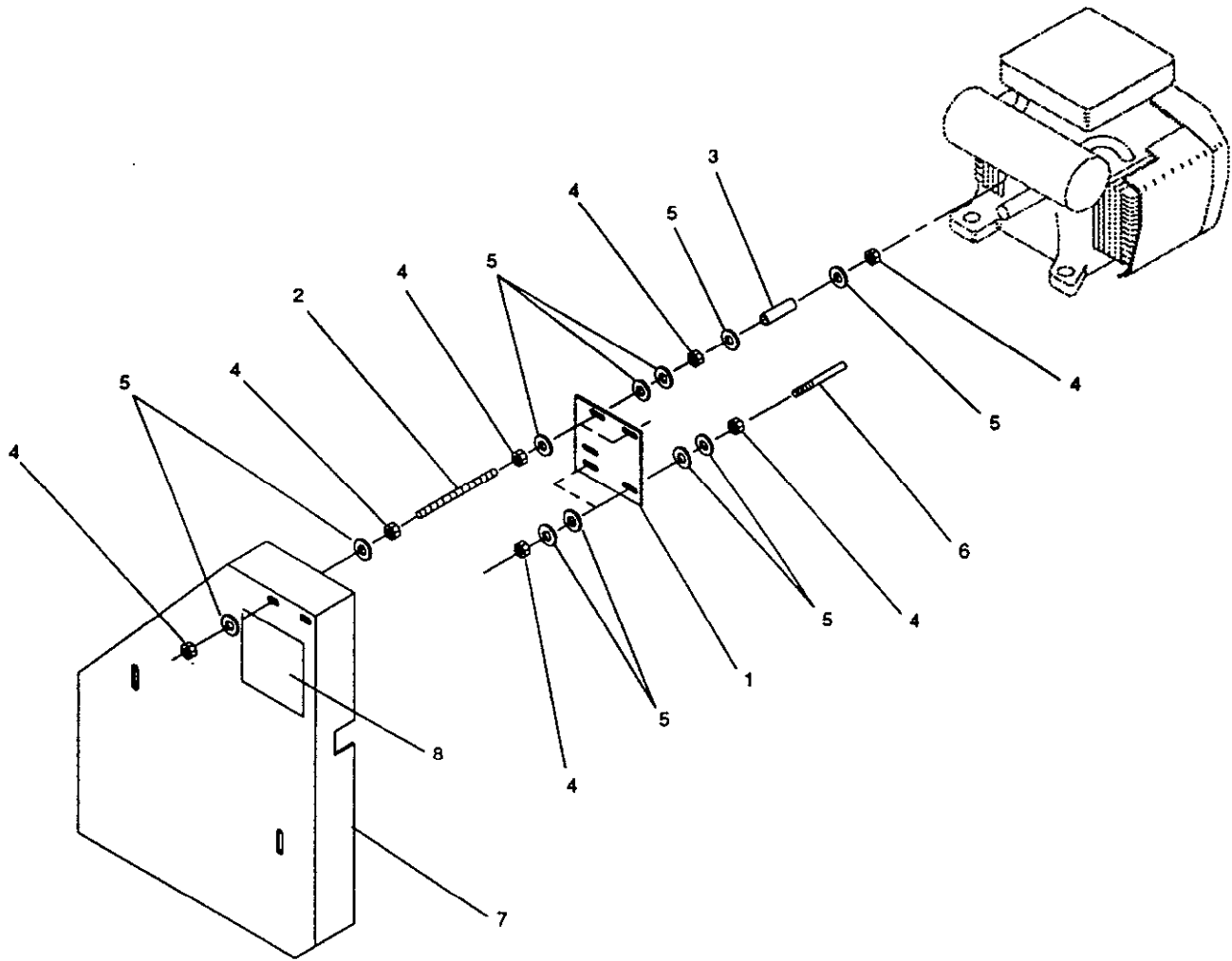


BELT IDLER ASSEMBLY

48-018

Ref. No.	Part No.	Description	No. Used
1	48-005-0611	Idler Arm	1
2	01-168-1014	Machinery Bushing	5
3	3272-21	Cotter Pin	1
4	327-14	Capscrew - Hex Hd.	1
5	48-004-3471	Spacer	1
6	3256-7	Flat Washer	3
7	01-268-0010	Pulley	1
8	3253-8	Lock Washer	1
9	3217-11	Hex Nut	1

Ref. No.	Part No.	Description	No. Used
10	48-005-0121	Spring Tension Adjustment	1
11	3296-22	Lock Nut	1
12	3217-7	Hex Nut	4
13	48-004-1711	Idler Spring Rod	1
14	3256-4	Flat Washer	3
15	01-261-0300	Spring	1
16	01-182-0832	Capscrew - Hex Hd.	1
17	3217-9	Hex Nut	3
18	3256-6	Flat Washer	2



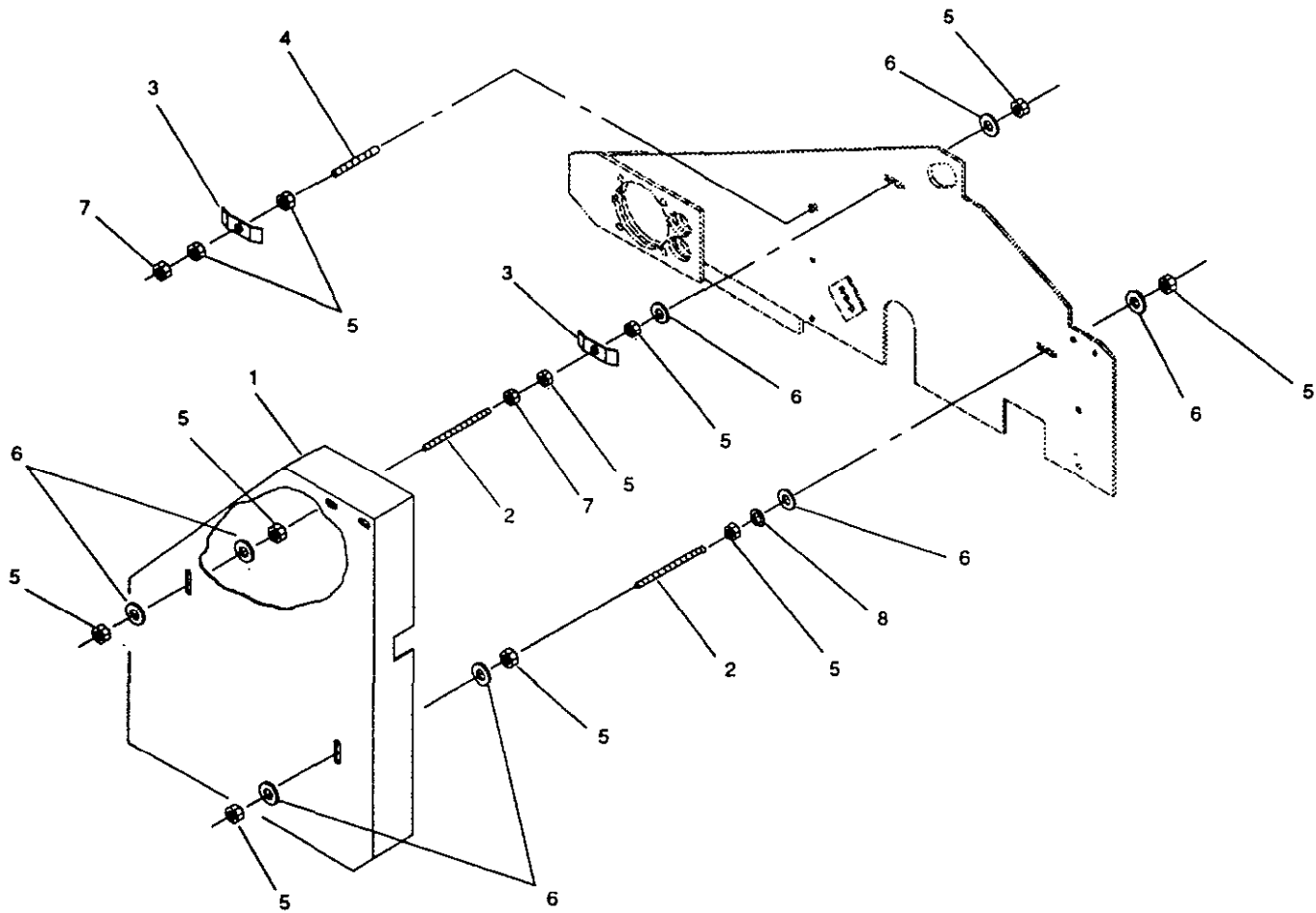
BELT SLIP BRACKET

48-014

Ref. No.	Part No.	Description	No. Used
1	48-004-3291	Belt Slip Bracket	1
2	01-650-0160	All Thread (Onan)	2
*	01-650-0140	All Thread (B & S)	2
3	48-004-6271	Spacer (Onan)	2
*	48-004-2101	Spacer (B & S)	2

Ref. No.	Part No.	Description	No. Used
4	3217-7	Hex Nut	14
5	3256-4	Flat Washer	22
6	48-004-1211	Belt Slip Pin	2
7	48-005-0322	Belt Guard	1
8	01-506-0040	Decal - Danger	1

* Not Illustrated

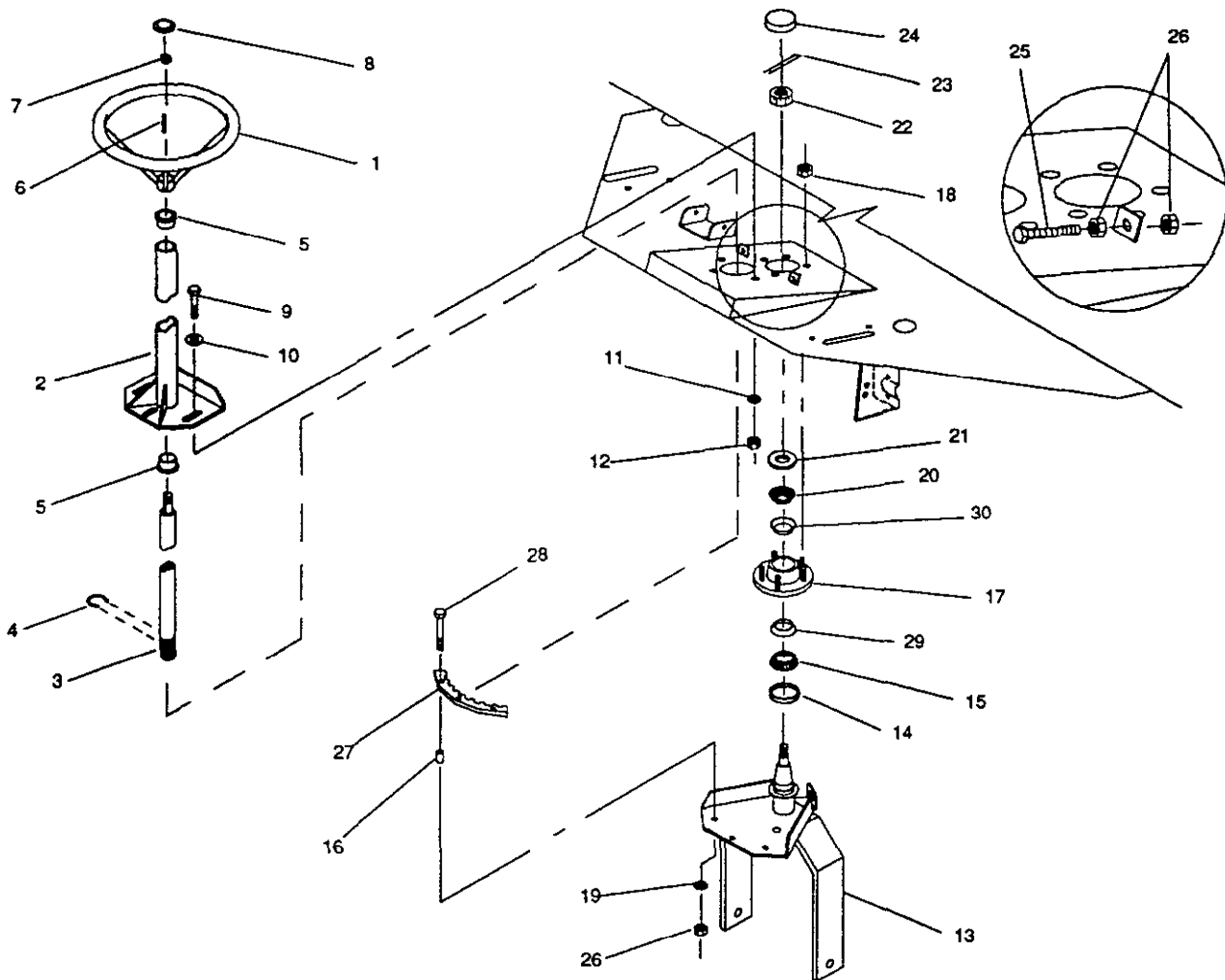


BELT GUARD & HOSE BRACKETS

48-015

Ref. No.	Part No.	Description	No. Used
1	48-005-0322	Belt Guard	1
2	01-650-0420	All Thread	2
3	48-004-1861	Hose Hold Down Bracket	2
4	01-650-0280	All Thread	1

Ref. No.	Part No.	Description	No. Used
5	3217-8	Hex Nut	10
6	3256-5	Flat Washer	8
7	3218-4	Jam Nut	3
8	3253-6	Lock Washer	1



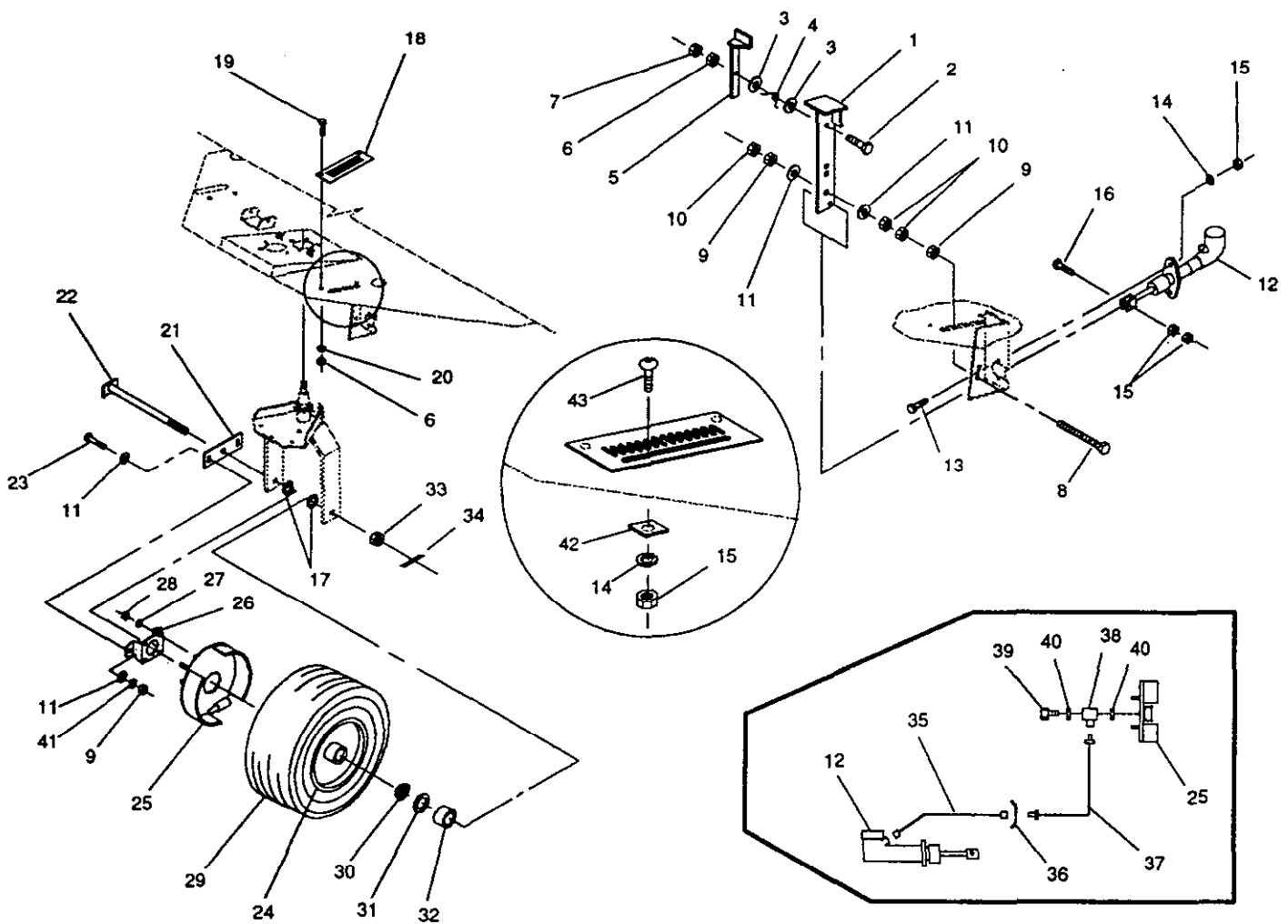
STEERING ASSEMBLY

48-018

Ref. No.	Part No.	Description	No. Used
1	01-286-0130	Steering Wheel	1
2	54-005-1521	Steering Column Assembly	1
*	54-002-0011	Steering Column Assembly w/bushing (Incl. Ref. # 2,5)	1
3	54-004-1501	Steering Shaft	1
4	01-160-0370	Snap Ring	1
5	01-126-0110	Bushing, Oilite	2
6	48-004-1961	Key	1
7	3220-7	Jam Nut	1
8	01-286-0030	Cover Plate	1
9	325-6	Capscrew - Hex Hd.	3
10	3256-6	Flat Washer	3
11	3253-7	Lock Washer	3
12	3217-9	Hex Nut	3
13	54-005-0242	Steering Yoke Assembly	1
14	01-405-0370	Seal	1
15	01-102-0050	Bearing	1
16	48-004-4651	Sector Spacer	3

Ref. No.	Part No.	Description	No. Used
17	01-269-2040	Steering Hub (Incl. Ref. #29,30)	1
18	01-269-0300	Lug Nut	5
19	3253-5	Lock Washer	3
20	01-102-0070	Bearing	1
21	3256-28	"SAE" Flat Washer	1
22	01-190-1216	Castle Nut	1
23	3272-25	Cotter Pin	1
24	01-286-0040	Grease Cap	1
25	01-182-0620	Capscrew - Hex Hd.	2
26	3217-7	Hex Nut	7
27	48-004-1282	Steering Yoke Gear	1
28	323-11	Capscrew - Hex Hd.	3
29	01-103-0040	Inner Race	1
30	01-103-0140	Outer Race	1
*	01-269-0140	Steering Hub , complete (Incl. Ref. #14,15,17,18,20,24)	1

* Not Illustrated



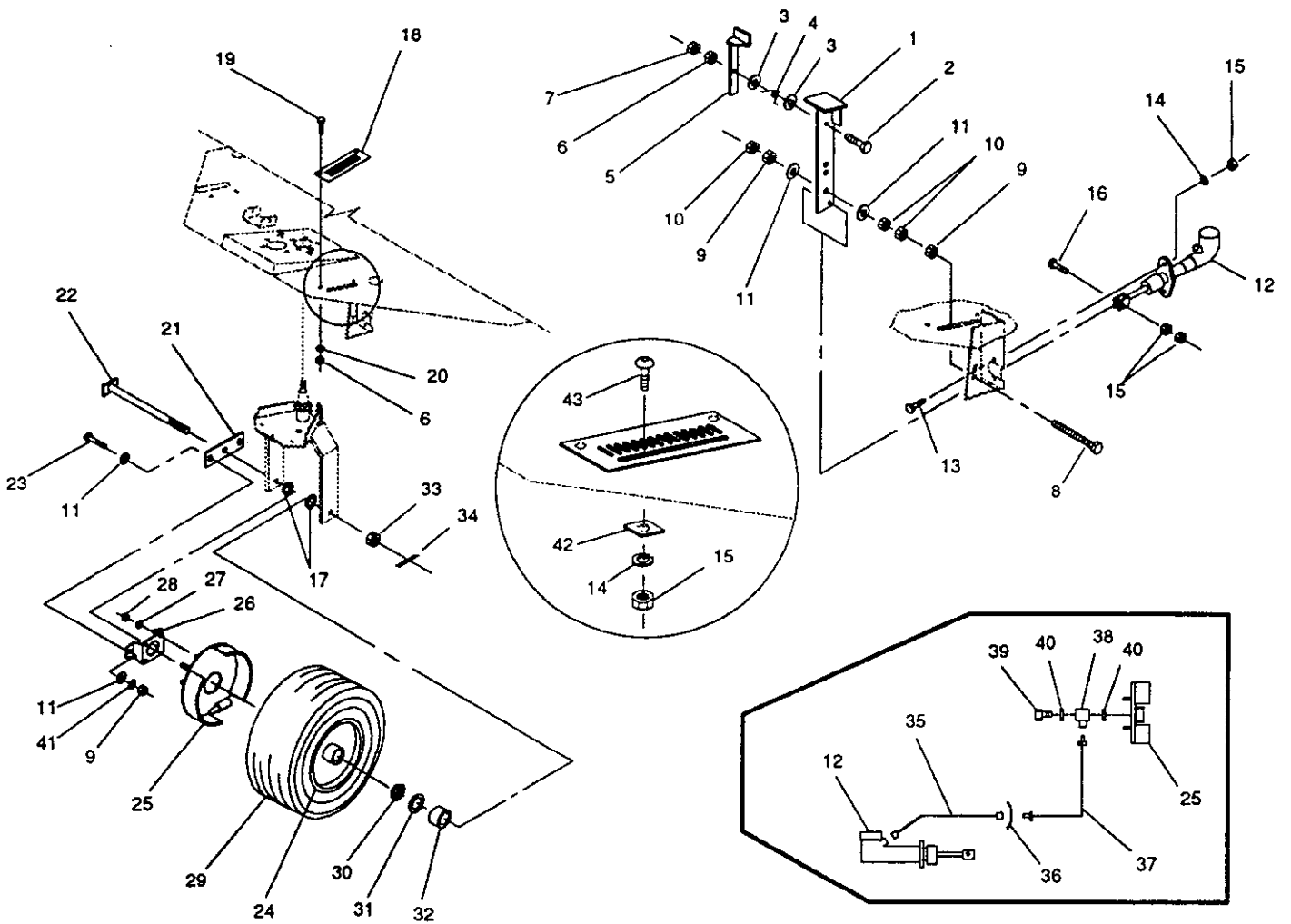
BRAKE SYSTEM

48-017

Ref. No.	Part No.	Description	No. Used
1	48-005-0671	Brake Pedal	1
2	323-9	Capscrew - Hex Hd.	1
3	3256-4	Flat Washer	2
4	01-261-0050	Spring	1
5	48-005-0781	Brake Stop Weldment	1
6	3217-7	Hex Nut	3
7	3218-3	Jam Nut	1
8	01-182-0824	Capscrew - Hex Hd.	1
9	3217-9	Hex Nut	4
10	3218-5	Jam Nut	3
11	3256-6	Flat Washer	6
12	01-314-0290	Hydraulic Brake Cylinder	1
13	322-6	Capscrew - Hex Hd.	2
14	3253-4	Lock Washer	3
15	3217-6	Hex Nut	5
16	322-5	Capscrew - Hex Hd.	1
17	01-168-1210	Machinery Bushing	2
18	48-004-6241	Brake Stop Plate	1
19	323-6	Capscrew - Hex Hd.	2
20	3253-5	Lock Washer	2
21	54-005-0261	Brake Mount	1
22	54-005-0251	Axle	1

Ref. No.	Part No.	Description	No. Used
23	325-6	Capscrew - Hex Hd.	2
24	54-005-0282	Front Wheel	1
25	01-314-0300	Hydraulic Brake Assembly	1
*	01-266-0080	Wheel Cylinder Assembly	1
*	01-314-0500	Wheel Cylinder Repair Kit	1
*	01-314-0540	Capscrew - Socket Hd.	2
*	01-314-0430	Brake Shoe	2
*	01-314-0470	Brake Shoe Lever	2
*	01-314-0480	Brake Shoe Spring	2
*	01-314-0460	Anchor Pin	2
*	01-160-0380	Retaining Ring	2
*	01-314-0490	Adjusting Screw Assembly	2
*	01-314-0550	Shoulder Bolt	4
26	54-004-1241	Brake Shoe Bracket	1
27	3253-6	Lock Washer	4
28	3217-8	Hex Nut	4
29	01-269-0320	Front Tire	1
30	01-102-0130	Bearing	2
31	01-405-0460	Seal	2
32	01-269-0060	Axle Spacer	2
33	01-190-1210	Castle Nut	1
34	3272-23	Cotter Pin	1

* Not Illustrated

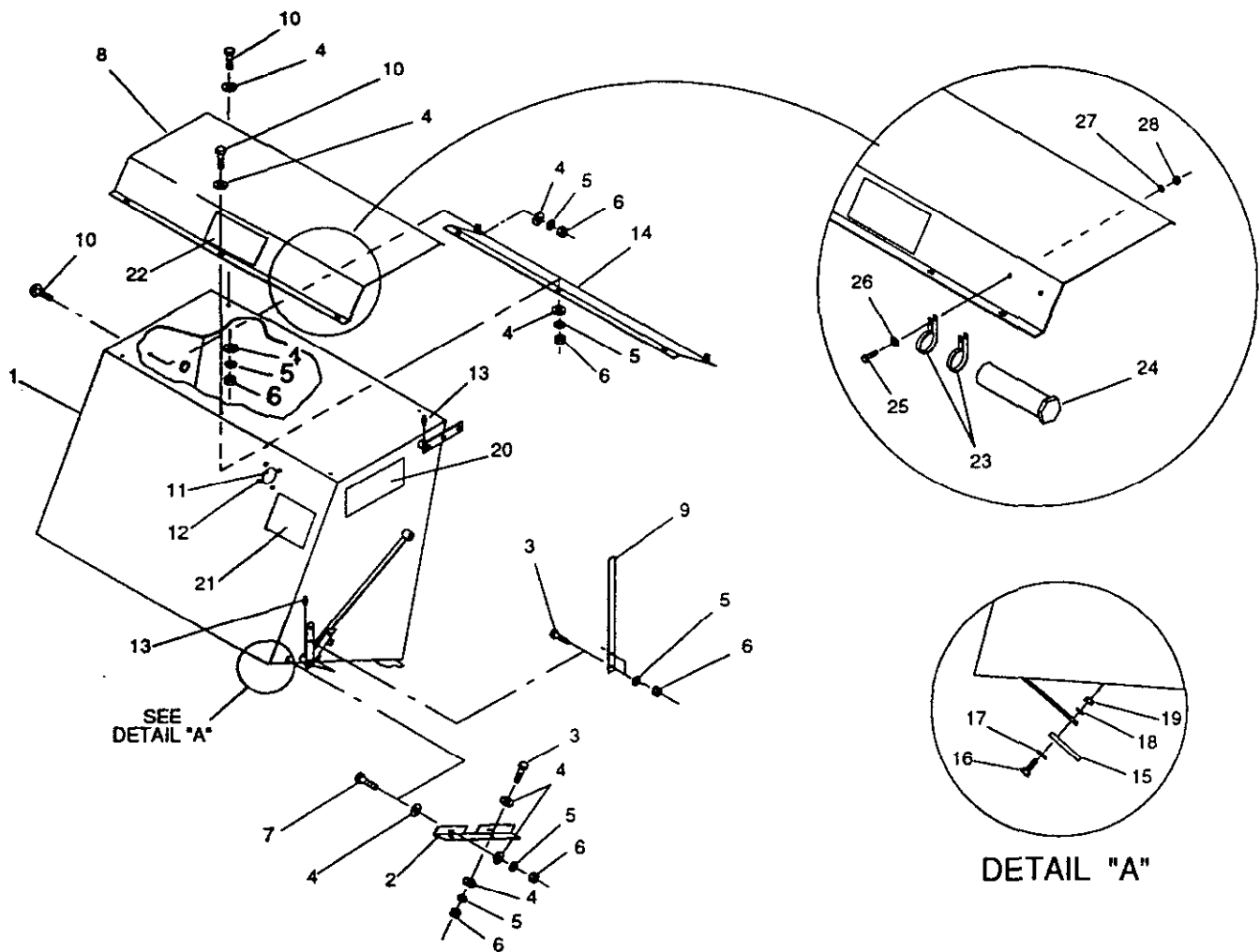


BRAKE SYSTEM (Continued)

48-017

Ref. No.	Part No.	Description	No. Used
35	01-314-0020	Hydraulic Brake Hose	1
36	01-314-0070	Brake Line Clip	1
37	01-314-0330	Hydraulic Brake Line	1
38	01-314-0360	Connector	1
39	01-314-0340	Bolt	1

Ref. No.	Part No.	Description	No. Used
40	01-314-0350	Gasket	2
41	3253-7	Lock Washer	2
42	48-004-6631	Break Pedal Stop	1
43	3230-2	Carriage Bolt	1



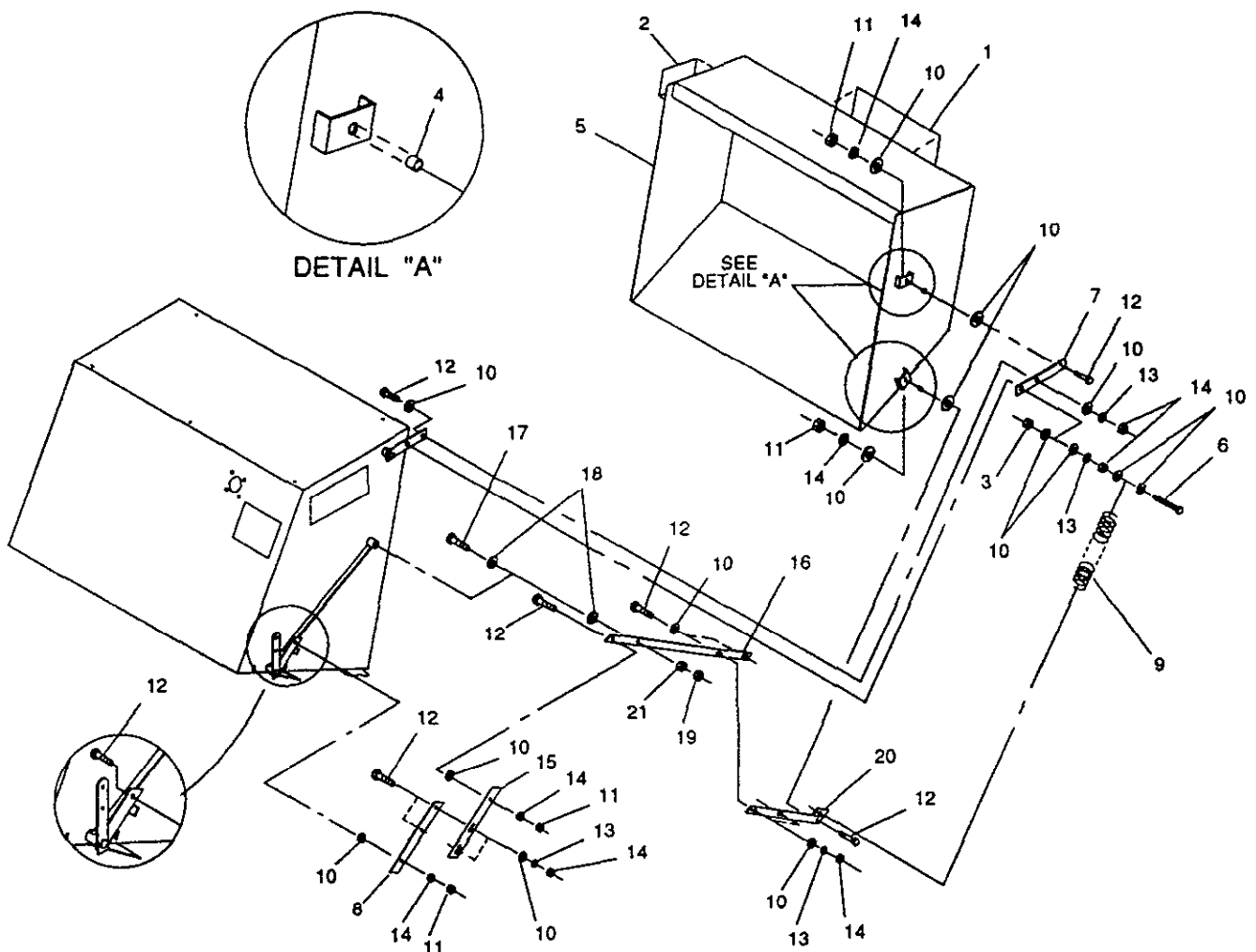
HOPPER ASSEMBLY

48-013

Ref. No.	Part No.	Description	No. Used
1	48-005-0273	Hopper	1
2	48-004-1051	Bed & Hopper Mount-L.H.	1
*	48-004-5991	Bed & Hopper Mount-R.H.	1
3	323-7	Capscrew - Hex Hd.	6
4	3256-4	Flat Washer	28
5	3253-5	Lock Washer	17
6	3217-7	Hex Nut	17
7	323-6	Capscrew - Hex Hd.	4
8	48-005-0292	Dust Shield	1
9	48-004-5281	Handle	1
10	01-184-0610	Machine Screw - Round Hd.	7
11	48-004-4641	Peep Hole Cover	1
12	01-161-0030	Pop Rivet	4
13	01-215-0050	Grease Zerk	4
14	48-004-6282	Wet Leaf Deflector	1

Ref. No.	Part No.	Description	No. Used
15	48-004-5451	Hopper Floor Seal	1
16	322-5	Capscrew - Hex Hd.	8
17	3256-3	Flat Washer	8
18	3253-4	Lock Washer	8
19	3217-6	Hex Nut	8
20	01-506-0650	Decal - Turf Sweeper 4800	2
21	01-506-0070	Decal - Danger	1
22	01-506-0510	Decal - Toro	1
23	2412-133	R-Clamp	2
24	74-0720	Manual Tube	1
25	321-4	Capscrew - Hex Hd.	2
26	3256-2	Flat Washer	2
27	3253-3	Lock Washer	2
28	3217-5	Hex Nut	2

* Not Illustrated

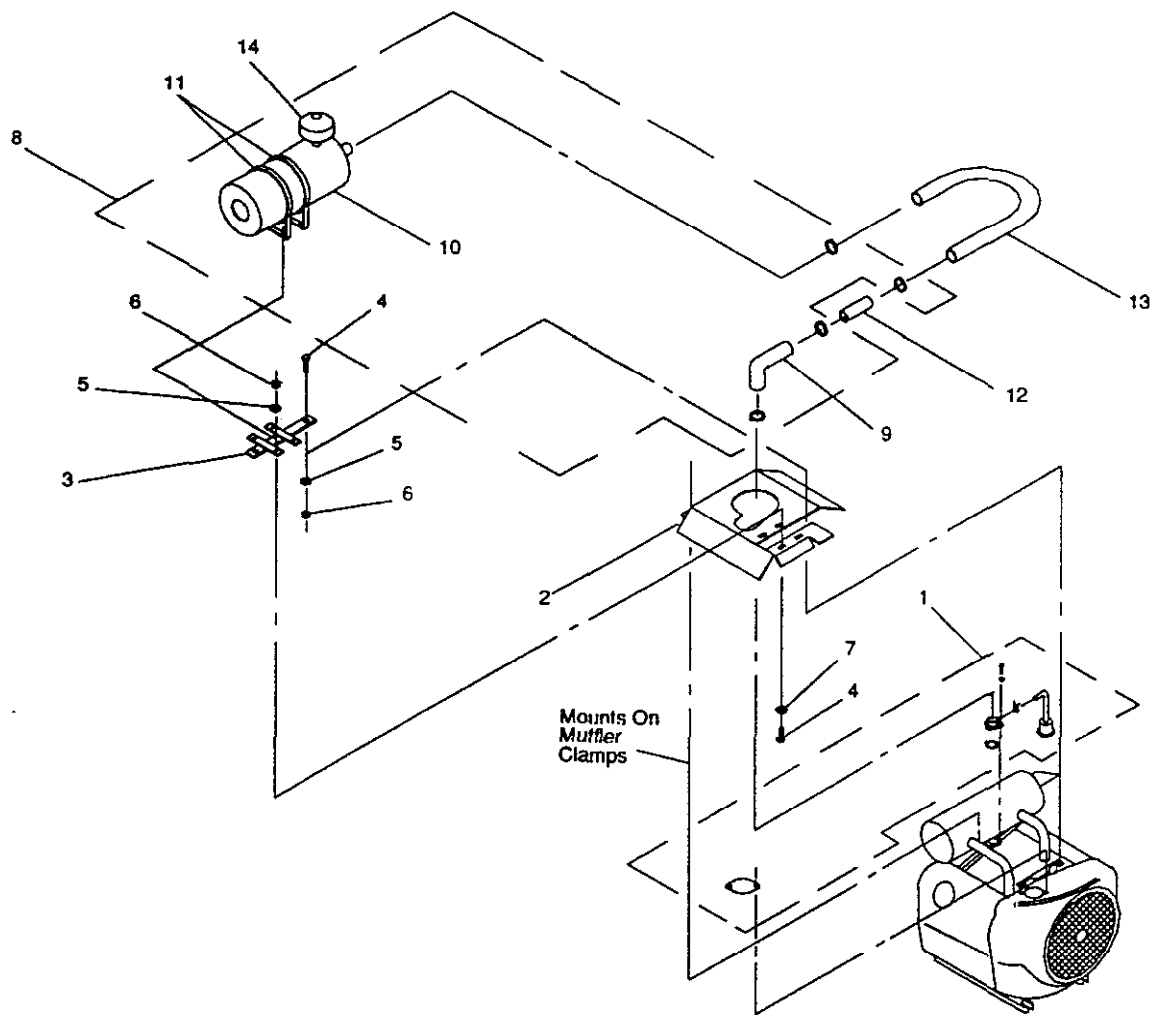


HOPPER DOOR ASSEMBLY

48-019

Ref. No.	Part No.	Description	No. Used
1	01-506-0530	Decal - Toro	1
2	01-506-0510	Decal - Toro	1
3	01-189-0813	Lock Nut	2
4	48-004-6101	Hopper Box Spacer	4
5	48-005-0282	Hopper Door	1
6	01-182-0824	Capscrew - Hex Hd.	2
7	48-004-1621	Linkage, Upper Hopper Door	2
8	48-004-1131	Linkage, Hopper Door/ Over Center	2
9	48-004-1901	Spring, Hopper Door	2
10	3256-6	Flat Washer	36
11	3218-5	Jam Nut	8

Ref. No.	Part No.	Description	No. Used
12	325-7	Capscrew - Hex Hd.	18
13	3253-7	Lock Washer	12
14	3217-9	Hex Nut	20
15	48-004-1141	Linkage, Hopper Door/ Over Center	2
16	48-004-1151	Linkage, Lower Hopper Door	2
17	327-14	Capscrew - Hex Hd.	2
18	3256-7	Flat Washer	4
19	3218-6	Jam Nut	2
20	48-005-0111	Hopper Door Linkage	2
21	3217-11	Hex Nut	2



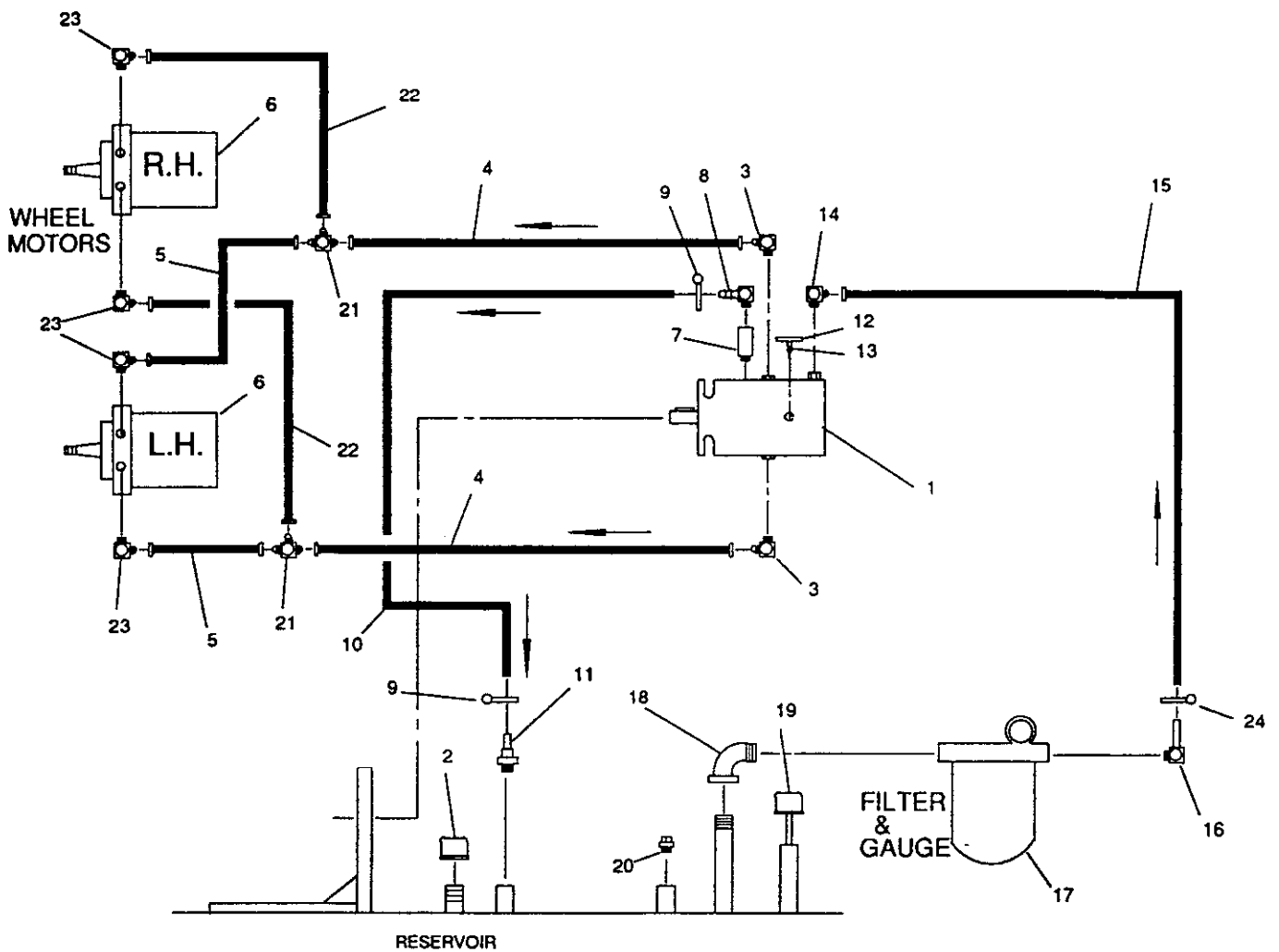
DONALDSON AIR CLEANER - MODEL NO. 44062

48-020

Ref. No.	Part No.	Description	No. Used
1	01-289-0330	Adaptor Kit	1
2	48-004-6302	Air Cleaner Base	1
3	48-005-0791	Air Cleaner Mount	1
4	322-5	Capscrew - Hex Hd.	6
5	3253-4	Lock Washer	6
6	3217-6	Hex Nut	6
7	3256-3	Flat Washer	4
8	01-289-0280	Air Cleaner Kit	1

Ref. No.	Part No.	Description	No. Used
*	01-289-0470	Filter Element (Incl. w/Ref. #8)	1
9	01-289-0300	Air Cleaner-Elbow	1
10	01-289-0310	Air Cleaner (Incl. Ref. #11)	1
11	01-289-0320	Bands	1
12	93-004-0511	Spacer	1
13	54-004-1701	Hose	1
14	01-289-0290	Pre-cleaner	1

* Not Illustrated



4800 - HYDRAULIC SCHEMATIC

48-021

Ref. No.	Part No.	Description	No. Used	Ref. No.	Part No.	Description	No. Used
1	01-305-0090	Cessna Pump	1	14	01-201-1880	Fitting	1
*	01-305-0080	Seal Kit	1	15	01-312-1710	Hose Assembly	1
2	01-451-0060	Pipe Cap	1	16	01-201-1890	Fitting	1
3	01-201-0440	Fitting	2	17	01-316-0020	Filter Assembly	1
4	01-312-1260	Hose Assembly	2	*	01-315-0010	Filter Head	1
5	01-312-1420	Hose Assembly	2	*	01-317-0120	Filter Element	1
6	01-304-0410	Hyd. Motor	2	*	01-303-0010	Filter Gauge	1
*	01-304-0260	Seal Kit	1	18	01-455-0020	Fitting	1
7	01-201-0490	Fitting	1	19	48-002-0101	Breather Cap w/dipstick	1
8	01-217-0050	Hose Barb	1	20	01-451-0010	Pipe Plug	1
9	01-202-0030	Hose Clamp	2	21	01-201-1530	Fitting	2
10	48-004-4921	Hose Assembly	1	22	01-312-1430	Hose Assembly	2
11	01-217-0060	Fitting, cessna return	1	23	01-201-1580	Fitting	4
12	48-005-0641	Tow Valve Handle	1	24	01-202-0050	Hose Clamp	1
13	01-163-0100	Set Screw	1				

* Not Illustrated

PART NUMBER INDEX

Part No.	Description	Pg. No.	Ref. No.	Qty.	Part No.	Description	Pg. No.	Ref. No.	Qty.
01-102-0050	Bearing	15	15	1	01-215-0050	Grease Zerk	18	13	4
01-102-0070	Bearing	15	20	1	01-217-0050	Hose Barb	21	8	1
01-102-0130	Bearing	16	30	2	01-217-0060	Fitting	21	11	1
01-103-0040	Inner Race	15	29	1	01-217-0060	Hose Barb	5	4	1
01-103-0140	Outer Race	15	30	1	01-250-0020	Rod End Bearing	6	7	1
01-105-0520	Needle Bearing	7	26	2	01-250-0020	Rod End Bearing	8	8	1
01-105-0520	Needle Bearing	8	16	2	01-251-0020	Offset Link	7	*	1
01-113-0010	Bearing	11	9	1	01-256-0020	Throttle Handle	3	*	1
01-113-0010	Bearing	7	15	1	01-260-0010	Sheave	11	14	1
01-113-0020	Bearing	11	4	1	01-260-0110	Sheave	11	17	1
01-113-0020	Bearing	7	5	1	01-260-0280	Bushing	11	*	1
01-126-0110	Bushing, Oilite	15	5	2	01-260-0290	Bushing	11	15	1
01-127-0070	Plastic Plug	1	*	1	01-260-0780	Bushing	11	18	1
01-151-0170	Cotter Pin	1	21	2	01-260-0900	"H" Bushing	3	24	1
01-158-0150	Capscrew - Socket Hd.	3	23	10	01-260-0900	"H" Bushing	4	24	1
01-158-0150	Capscrew - Socket Hd.	4	23	8	01-261-0050	Spring	16	4	1
01-158-0270	Shoulder Bolt	6	2	2	01-261-0240	Spring	1	4	4
01-158-1610	Lug Bolt	1	24	10	01-261-0240	Spring	9	18	1
01-160-0370	Snap Ring	15	4	1	01-261-0300	Spring	12	15	1
01-160-0380	Retaining Ring	16	*	2	01-261-0300	Spring	8	12	1
01-161-0030	Pop Rivet	18	12	4	01-261-0330	Spring	6	12	1
01-163-0100	Set Screw	21	13	1	01-261-0340	Spring	10	16	1
01-163-0100	Set Screw	3	*	1	01-261-0780	Spring	6	13	1
01-163-0100	Set Screw	4	*	1	01-262-0040	Sprocket	7	11	1
01-166-0620	"SAE" Flat Washer	3	35	4	01-262-0050	Sprocket	7	22	1
01-166-0620	"SAE" Flat Washer	4	34	4	01-262-0610	Sprocket	7	25	1
01-168-1014	Machinery Bushing	12	2	5	01-262-0610	Sprocket	8	15	1
01-168-1210	Machinery Bushing	16	17	2	01-264-0010	Belt	11	20	1
01-168-1410	Machinery Bushing	7	23	6	01-265-0180	Flex Coupling	3	21	1
01-168-1410	Machinery Bushing	8	13	11	01-265-0180	Flex Coupling	4	21	1
01-168-1414	Machinery Bushing	7	24	4	01-266-0080	Wheel Cylinder Assembly	16	*	1
01-168-1414	Machinery Bushing	8	14	5	01-268-0010	Pulley	12	7	1
01-168-1610	Machinery Bushing	7	20	3	01-269-0060	Axle Spacer	16	32	2
01-168-1614	Machinery Bushing	7	21	6	01-269-0140	Steering Hub	15	*	1
01-168-2010	Machinery Bushing	7	13	2	01-269-0300	Lug Nut	15	18	5
01-168-2014	Machinery Bushing	7	10	3	01-269-0320	Front Tire	16	29	1
01-169-0010	Lock Washer	3	22	10	01-269-0330	Tire	1	23	2
01-169-0010	Lock Washer	4	22	8	01-269-1000	Hub	1	20	2
01-170-0160	Clamp	4	5	1	01-269-1020	Wheel	2	26	2
01-182-0616	Capscrew - Hex Hd.	1	7	4	01-269-2040	Steering Hub	15	17	1
01-182-0620	Capscrew - Hex Hd.	15	25	2	01-270-1370	Engine	4	1	1
01-182-0824	Capscrew - Hex Hd.	16	8	1	01-270-1640	Engine	3	1	1
01-182-0824	Capscrew - Hex Hd.	19	6	2	01-273-0240	Muffler Kit	4	2	1
01-182-0832	Capscrew - Hex Hd.	12	16	1	01-273-0250	Muffler Tube Kit	4	17	1
01-184-0610	Machine Screw - Round Hd.	18	10	7	01-273-0310	Exhaust Extension	4	4	1
01-189-0518	Lock Nut	6	4	2	01-279-0010	Rubber Fingers	7	3	116
01-189-0813	Lock Nut	19	3	2	01-280-0020	Gas Cap	5	2	1
01-189-0813	Lock Nut	9	13	2	01-280-0190	Tank Withdrawal Assembly	5	3	1
01-189-0813	Lock Nut	10	13	2	01-286-0030	Cover Plate	15	8	1
01-190-1210	Castle Nut	16	33	1	01-286-0040	Grease Cap	15	24	1
01-190-1216	Castle Nut	15	22	1	01-286-0130	Steering Wheel	15	1	1
01-190-1620	Castle Nut	2	30	2	01-286-0220	Seat	1	6	1
01-201-0440	Fitting	21	3	2	01-288-0020	Hour Meter	1	25	1
01-201-0490	Fitting	21	7	1	01-289-0280	Air Cleaner Kit	20	8	1
01-201-1530	Fitting	21	21	2	01-289-0290	Pre-cleaner	20	14	1
01-201-1580	Fitting	21	23	4	01-289-0300	Air Cleaner-Elbow	20	9	1
01-201-1880	Fitting	21	14	1	01-289-0310	Air Cleaner	20	10	1
01-201-1890	Fitting	21	16	1	01-289-0320	Bands	20	11	1
01-202-0030	Hose Clamp	21	9	2	01-289-0330	Adaptor Kit	20	1	1
01-202-0030	Hose Clamp	5	5	2	01-289-0470	Filter Element	20	*	1
01-202-0050	Hose Clamp	21	24	1	01-303-0010	Filter Gauge	21	*	1

* Not Illustrated

PART NUMBER INDEX (Continued)

Part No.	Description	Pg. No.	Ref. No.	Qty.	Part No.	Description	Pg. No.	Ref. No.	Qty.
01-304-0260	Seal Kit	1	*	1	01-506-0650	Decal - Turf Sweeper 4800	18	20	2
01-304-0260	Seal Kit	21	*	1	01-506-0980	Decal - Parking Brake	2	29	1
01-304-0410	Hyd. Motor	21	6	2	01-600-0050	Battery Cable	3	*	1
01-304-0410	Hydraulic Motor	1	14	2	01-600-0050	Battery Cable	4	*	1
01-305-0080	Seal Kit	21	*	1	01-600-0060	Battery Cable	3	*	1
01-305-0080	Seal Kit	3	*	1	01-600-0190	Battery Cable	4	*	1
01-305-0080	Seal Kit	4	*	1	01-650-0140	All Thread	13	*	2
01-305-0090	Cessna Pump	21	1	1	01-650-0160	All Thread	13	2	2
01-305-0090	Cessna Pump	3	27	1	01-650-0280	All Thread	14	4	1
01-305-0090	Cessna Pump	4	27	1	01-650-0420	All Thread	14	2	2
01-305-0230	Cessna Backing Plate	3	33	1	02-250-0020	Rod End Bearing	8	6	1
01-305-0230	Cessna Backing Plate	4	32	1	2412-133	R-Clamp	18	23	2
01-312-1260	Hose Assembly	21	4	2	321-4	Capscrew - Hex Hd.	18	25	2
01-312-1420	Hose Assembly	21	5	2	321-6	Capscrew - Hex Hd.	3	14	5
01-312-1430	Hose Assembly	21	22	2	321-6	Capscrew - Hex Hd.	4	14	2
01-312-1710	Hose Assembly	21	15	1	32121-12	Roll Pin	6	14	1
01-314-0020	Hydraulic Brake Hose	17	35	1	3217-11	Hex Nut	12	9	1
01-314-0070	Brake Line Clip	17	36	1	3217-11	Hex Nut	19	21	2
01-314-0290	Hydraulic Brake Cylinder	16	12	1	3217-11	Hex Nut	9	15	3
01-314-0300	Hydraulic Brake Assembly	16	25	1	3217-24	Hex Nut	10	14	3
01-314-0330	Hydraulic Brake Line	17	37	1	3217-26	Hex Nut	3	32	2
01-314-0340	Bolt	17	39	1	3217-5	Hex Nut	18	28	2
01-314-0350	Gasket	17	40	2	3217-5	Hex Nut	3	17	5
01-314-0360	Connector	17	38	1	3217-6	Hex Nut	16	15	5
01-314-0430	Brake Shoe	16	*	2	3217-6	Hex Nut	18	19	8
01-314-0460	Anchor Pin	16	*	2	3217-6	Hex Nut	20	6	6
01-314-0470	Brake Shoe Lever	16	*	2	3217-6	Hex Nut	3	5	4
01-314-0480	Brake Shoe Spring	16	*	2	3217-7	Hex Nut	1	11	13
01-314-0490	Adjusting Screw Assembly	16	*	2	3217-7	Hex Nut	11	13	2
01-314-0500	Wheel Cylinder Repair Kit	16	*	1	3217-7	Hex Nut	12	12	4
01-314-0540	Capscrew - Socket Hd.	16	*	2	3217-7	Hex Nut	13	4	14
01-314-0550	Shoulder Bolt	16	*	4	3217-7	Hex Nut	15	26	7
01-315-0010	Filter Head	21	*	1	3217-7	Hex Nut	16	6	3
01-316-0020	Filter Assembly	21	17	1	3217-7	Hex Nut	18	6	17
01-317-0120	Filter Element	21	*	1	3217-7	Hex Nut	3	12	2
01-405-0370	Seal	15	14	1	3217-7	Hex Nut	4	12	6
01-405-0460	Seal	16	31	2	3217-7	Hex Nut	5	11	6
01-451-0010	Pipe Plug	21	20	1	3217-7	Hex Nut	6	6	4
01-451-0010	Pipe Plug	1	13	1	3217-7	Hex Nut	7	19	1
01-451-0020	Pipe Plug	3	6	1	3217-7	Hex Nut	8	9	5
01-451-0020	Pipe Plug	4	8	1	3217-7	Hex Nut	9	10	2
01-451-0060	Pipe Cap	21	2	1	3217-7	Hex Nut	10	10	2
01-453-0130	Pipe Coupling	4	7	1	3217-8	Hex Nut	14	5	10
01-455-0020	Fitting	21	18	1	3217-8	Hex Nut	16	28	4
01-455-0030	Pipe Elbow	3	3	2	3217-9	Hex Nut	1	17	8
01-455-0100	Elbow	1	12	1	3217-9	Hex Nut	11	8	2
01-456-0050	Pipe Nipple	3	2	1	3217-9	Hex Nut	12	17	3
01-456-0050	Pipe Nipple	4	6	1	3217-9	Hex Nut	15	12	3
01-456-0070	Pipe Nipple	3	4	1	3217-9	Hex Nut	16	9	4
01-506-0040	Decal - Danger	13	8	1	3217-9	Hex Nut	19	14	20
01-506-0050	Decal - Danger	8	21	1	3217-9	Hex Nut	7	9	2
01-506-0070	Decal - Danger	18	21	1	3218-3	Jam Nut	16	7	1
01-506-0080	Decal - Danger	5	15	2	3218-3	Jam Nut	9	20	2
01-506-0090	Decal - Danger	2	28	1	3218-4	Jam Nut	14	7	3
01-506-0460	Decal - Gas Only	5	13	1	3218-5	Jam Nut	16	10	3
01-506-0510	Decal - Toro	18	22	1	3218-5	Jam Nut	19	11	8
01-506-0510	Decal - Toro	19	2	1	3218-6	Jam Nut	19	19	2
01-506-0530	Decal - Toro	19	1	1	3218-6	Jam Nut	9	5	1
01-506-0540	Decal - No Riders	5	14	1	3218-6	Jam Nut	10	6	1
01-506-0560	Decal - Hydraulic Oil	1	22	1	3219-3	Hex Nut	6	9	1
01-506-0570	Decal - Traction Pedal	2	27	1	322-5	Capscrew - Hex Hd.	16	16	1

* Not Illustrated

PART NUMBER INDEX (Continued)

Part No.	Description	Pg. No.	Ref. No.	Qty.	Part No.	Description	Pg. No.	Ref. No.	Qty.
322-5	Cap screw - Hex Hd.	18	16	8	3253-7	Lock Washer	17	41	2
322-5	Cap screw - Hex Hd.	20	4	6	3253-7	Lock Washer	19	13	12
322-6	Cap screw - Hex Hd.	16	13	2	3253-7	Lock Washer	7	8	2
322-6	Cap screw - Hex Hd.	4	20	4	3253-7	Lock Washer	8	4	1
322-7	Cap screw - Hex Hd.	3	20	4	3253-8	Lock Washer	12	8	1
3220-3	Jam Nut	6	8	2	3253-8	Lock Washer	9	4	1
3220-3	Jam Nut	8	7	3	3253-8	Lock Washer	10	5	1
3220-7	Jam Nut	15	7	1	3256-2	Flat Washer	18	26	2
323-10	Cap screw - Hex Hd.	1	3	4	3256-2	Flat Washer	3	15	5
323-10	Cap screw - Hex Hd.	3	28	2	3256-2	Flat Washer	4	15	2
323-10	Cap screw - Hex Hd.	4	28	2	3256-2	Flat Washer	6	15	2
323-11	Cap screw - Hex Hd.	15	28	3	3256-26	"SAE" Flat Washer	8	3	1
323-11	Cap screw - Hex Hd.	9	17	1	3256-27	"SAE" Flat Washer	9	3	1
323-6	Cap screw - Hex Hd.	1	19	3	3256-27	"SAE" Flat Washer	10	4	1
323-6	Cap screw - Hex Hd.	16	19	2	3256-28	"SAE" Flat Washer	15	21	1
323-6	Cap screw - Hex Hd.	18	7	4	3256-3	Flat Washer	18	17	8
323-6	Cap screw - Hex Hd.	3	30	3	3256-3	Flat Washer	20	7	4
323-6	Cap screw - Hex Hd.	4	30	3	3256-3	Flat Washer	3	13	8
323-6	Cap screw - Hex Hd.	9	8	2	3256-3	Flat Washer	6	17	2
323-6	Cap screw - Hex Hd.	10	8	2	3256-4	Flat Washer	1	9	5
323-7	Cap screw - Hex Hd.	18	3	6	3256-4	Flat Washer	11	11	2
323-7	Cap screw - Hex Hd.	3	31	1	3256-4	Flat Washer	12	14	3
323-7	Cap screw - Hex Hd.	4	31	1	3256-4	Flat Washer	13	5	22
323-7	Cap screw - Hex Hd.	5	8	2	3256-4	Flat Washer	16	3	2
323-8	Cap screw - Hex Hd.	11	10	2	3256-4	Flat Washer	18	4	28
323-8	Cap screw - Hex Hd.	3	9	2	3256-4	Flat Washer	3	10	12
323-8	Cap screw - Hex Hd.	4	9	4	3256-4	Flat Washer	4	10	20
323-8	Cap screw - Hex Hd.	7	16	1	3256-4	Flat Washer	5	9	12
323-9	Cap screw - Hex Hd.	16	2	1	3256-4	Flat Washer	6	3	5
3230-2	Carriage Bolt	17	43	1	3256-4	Flat Washer	7	17	1
325-12	Cap screw - Hex Hd.	1	15	8	3256-4	Flat Washer	8	11	3
325-5	Cap screw - Hex Hd.	8	5	1	3256-4	Flat Washer	9	19	1
325-6	Cap screw - Hex Hd.	15	9	3	3256-5	Flat Washer	14	6	8
325-6	Cap screw - Hex Hd.	16	23	2	3256-5	Flat Washer	8	19	3
325-7	Cap screw - Hex Hd.	11	5	2	3256-6	Flat Washer	11	6	2
325-7	Cap screw - Hex Hd.	19	12	18	3256-6	Flat Washer	12	18	2
325-7	Cap screw - Hex Hd.	7	6	2	3256-6	Flat Washer	15	10	3
3253-3	Lock Washer	18	27	2	3256-6	Flat Washer	16	11	6
3253-3	Lock Washer	3	16	5	3256-6	Flat Washer	19	10	36
3253-3	Lock Washer	4	16	2	3256-6	Flat Washer	7	7	2
3253-4	Lock Washer	16	14	3	3256-6	Flat Washer	9	12	6
3253-4	Lock Washer	18	18	8	3256-6	Flat Washer	10	12	5
3253-4	Lock Washer	20	5	6	3256-7	Flat Washer	12	6	3
3253-4	Lock Washer	3	19	4	3256-7	Flat Washer	19	18	4
3253-4	Lock Washer	4	19	4	327-14	Cap screw - Hex Hd.	12	4	1
3253-5	Lock Washer	1	8	5	327-14	Cap screw - Hex Hd.	19	17	2
3253-5	Lock Washer	11	12	2	327-6	Cap screw - Hex Hd.	9	6	1
3253-5	Lock Washer	15	19	3	327-6	Cap screw - Hex Hd.	10	2	1
3253-5	Lock Washer	16	20	2	3272-11	Cotter Pin	6	16	2
3253-5	Lock Washer	18	5	17	3272-21	Cotter Pin	12	3	1
3253-5	Lock Washer	3	11	8	3272-23	Cotter Pin	16	34	1
3253-5	Lock Washer	4	11	10	3272-23	Cotter Pin	7	14	3
3253-5	Lock Washer	5	10	2	3272-23	Cotter Pin	8	17	1
3253-5	Lock Washer	7	18	1	3272-25	Cotter Pin	15	23	1
3253-5	Lock Washer	9	9	2	3296-22	Lock Nut	1	5	2
3253-5	Lock Washer	10	9	2	3296-22	Lock Nut	12	11	1
3253-6	Lock Washer	14	8	1	3296-22	Lock Nut	3	34	2
3253-6	Lock Washer	16	27	4	3296-22	Lock Nut	4	33	2
3253-7	Lock Washer	1	16	8	3296-48	Lock Nut	8	20	3
3253-7	Lock Washer	11	7	2	48-002-0071	Throttle Assembly	3	7	1
3253-7	Lock Washer	15	11	3	48-002-0101	Breather Cap	21	19	1

* Not Illustrated

PART NUMBER INDEX (Continued)

Part No.	Description	Pg. No.	Ref. No.	Qty.	Part No.	Description	Pg. No.	Ref. No.	Qty.
48-002-5441	Idler Sprocket Assembly	7	*	1	48-004-6391	Onan Flywheel Guard	4	13	1
48-002-5441	Idler Sprocket Assembly	8	*	1	48-004-6441	Flywheel Guard	3	8	1
48-004-1051	Bed & Hopper Mount-L.H.	18	2	1	48-004-6631	Break Pedal Stop	17	42	1
48-004-1131	Linkage, Hopper Door/ Over Center	19	8	2	48-005-0111	Hopper Door Linkage	19	20	2
48-004-1141	Linkage, Hopper Door/ Over Center	19	15	2	48-005-0121	Spring Tension Adjustment	12	10	1
48-004-1151	Linkage, Lower Hopper Door	19	16	2	48-005-0131	Front Reel Assembly	11	2	1
48-004-1211	Belt Slip Pin	13	6	2	48-005-0131	Front Reel Assembly	7	2	1
48-004-1282	Steering Yoke Gear	15	27	1	48-005-0162	Idler Cover	8	18	1
48-004-1621	Linkage, Upper Hopper Door	19	7	2	48-005-0172	Reel Plate Assembly-R.H.	11	3	1
48-004-1711	Idler Spring Rod	12	13	1	48-005-0172	Reel Plate Assembly-R.H.	10	1	1
48-004-1751	Air Deflector	1	18	1	48-005-0182	Reel Plate Assembly-L.H.	7	4	1
48-004-1861	Hose Hold Down Bracket	14	3	2	48-005-0182	Reel Plate Assembly-L.H.	9	1	1
48-004-1901	Spring, Hopper Door	19	9	2	48-005-0191	Idler Shaft Assembly	8	1	1
48-004-1931	Key	7	12	2	48-005-0201	Rear Reel Assembly	11	1	1
48-004-1961	Key	15	6	1	48-005-0201	Rear Reel Assembly	7	1	1
48-004-2101	Spacer	13	*	2	48-005-0222	Handle	9	16	1
48-004-2601	Spring Rod	6	11	1	48-005-0231	Reel Lift Rod Assembly-L.H.	9	14	1
48-004-3131	Pump Support	3	29	1	48-005-0241	Pump Control Arm Assembly	6	10	1
48-004-3131	Pump Support	4	29	1	48-005-0273	Hopper	18	1	1
48-004-3291	Belt Slip Bracket	13	1	1	48-005-0282	Hopper Door	19	5	1
48-004-3431	Hose Hold Down Bracket	1	10	2	48-005-0292	Dust Shield	18	8	1
48-004-3471	Spacer	12	5	1	48-005-0322	Belt Guard	13	7	1
48-004-3831	Battery Hold Down	5	12	1	48-005-0322	Belt Guard	14	1	1
48-004-3881	Spacer	8	2	1	48-005-0432	Reel Lift Assembly	9	7	1
48-004-3891	Idler Spring Rod	8	10	1	48-005-0432	Reel Lift Assembly	10	7	1
48-004-4041	Reel Chain	7	27	1	48-005-0462	Seat Mount	1	2	1
48-004-4071	Throttle Outer Sheath	3	*	1	48-005-0591	Reel Lift Tube Assembly	9	11	1
48-004-4081	Throttle Inner Wire	3	*	1	48-005-0591	Reel Lift Tube Assembly	10	15	1
48-004-4111	Fuel Line	5	*	1	48-005-0611	Idler Arm	12	1	1
48-004-4641	Peep Hole Cover	18	11	1	48-005-0621	Foot Pedal	6	1	1
48-004-4651	Sector Spacer	15	16	3	48-005-0641	Tow Valve Handle	21	12	1
48-004-4921	Hose Assembly	21	10	1	48-005-0641	Tow Valve Handle	3	*	1
48-004-5052	Engine Adaptor	3	18	1	48-005-0641	Tow Valve Handle	4	*	1
48-004-5062	Engine Adaptor	4	18	1	48-005-0671	Brake Pedal	16	1	1
48-004-5071	Key	3	25	1	48-005-0712	Gas Tank	5	1	1
48-004-5071	Key	4	25	1	48-005-0764	Main Frame	1	1	1
48-004-5131	PVK80 Rubber	5	7	2	48-005-0781	Brake Stop Weldment	16	5	1
48-004-5281	Handle	18	9	1	48-005-0791	Air Cleaner Mount	20	3	1
48-004-5451	Hopper Floor Seal	18	15	1	48-005-5781	Reel Lift Rod Assembly-R.H.	10	11	1
48-004-5521	Cessna Pump Spacer	3	26	1	48-005-8231	Control Rod	6	5	1
48-004-5521	Cessna Pump Spacer	4	26	1	54-002-0011	Steering Column Assembly	15	*	1
48-004-5651	Muffler Guard	4	3	1	54-004-1241	Brake Shoe Bracket	16	26	1
48-004-5841	Reel Plate Spacer	9	2	1	54-004-1501	Steering Shaft	15	3	1
48-004-5841	Reel Plate Spacer	10	3	1	54-004-1701	Hose	20	13	1
48-004-5991	Bed & Hopper Mount-R.H.	18	*	1	54-005-0242	Steering Yoke Assembly	15	13	1
48-004-6101	Hopper Box Spacer	19	4	4	54-005-0251	Axle	16	22	1
48-004-6241	Brake Stop Plate	16	18	1	54-005-0261	Brake Mount	16	21	1
48-004-6261	Fuel Line	5	6	1	54-005-0282	Front Wheel	16	24	1
48-004-6271	Spacer	13	3	2	54-005-1521	Steering Column Assembly	15	2	1
48-004-6282	Wet Leaf Deflector	18	14	1	66-004-3211	Key	11	16	1
48-004-6302	Air Cleaner Base	20	2	1	74-0720	Manual Tube	18	24	1
					82-004-1171	Key	11	19	1
					93-004-0511	Spacer	20	12	1

* Not Illustrated

PRODUCT CHANGES

In an effort to make improvements available to TORO owners as quickly as possible minor changes are incorporated into Toro's products from time to time that do not become immediately shown in the Parts Catalog. If such a change has been made in your unit which is not reflected in your manual see your TORO Distributor or an Authorized Service Dealer for information and part numbers.

IDENTIFICATION & ORDERING

MODEL AND NUMBERS

The TURF SWEEPER 4800 has two identification numbers; a model number and a serial number. The two numbers are stamped on a plate which is located on the seat bracket. In any correspondence concerning the 4800, supply model and serial numbers to assure that correct information and replacement parts are obtained.

To order replacement parts from your TORO Distributor or an Authorized Service Dealer, supply the following information:

1. Model and serial number of the 4800.
2. Part number description and the quantity of part (s) desired.

NOTE: Do not order by reference number if a parts catalog is being used: use the PART NUMBER.

TABLE OF CONTENTS

Description	Page	Description	Page
Main Frame Assembly	1 -2	Belt Idler Assembly	12
Engine Mounting - Model #44040	3	Belt Slip Bracket	13
Engine Mounting - Model #44045	4	Belt Guard & Hose Brackets	14
Gas Tank & Battery Hold Down	5	Steering Assembly	15
Foot Pedal & Pump Control Rod Assembly	6	Brake System	16 - 17
Sweeper Reels & Timing Chain Assembly	7	Hopper Assembly	18
Chain Idler & Guard Assembly	8	Hopper Door Assembly	19
Reel Lift Assembly-L.H.	9	Donaldson Air Cleaner - Model No. 44062	20
Reel Lift Assembly-R.H.	10	Hydraulic Schematic - 4800	21
Belt Drive Assembly	11	Part Number Index	22 - 25

NOTES

