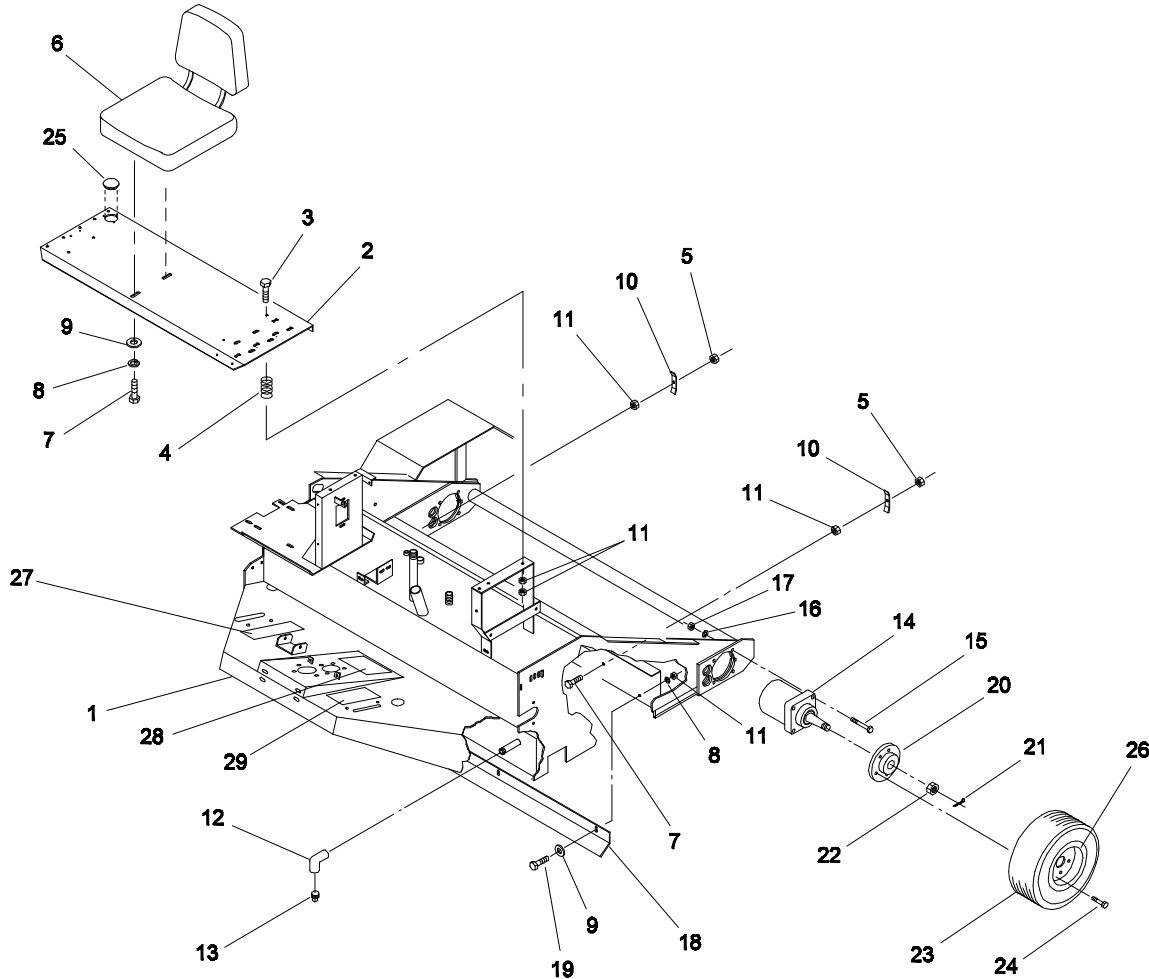




MODEL NO. 44040 - 50107 & UP
 MODEL NO. 44045 - 50001 & UP

**PARTS
 CATALOG**

TURF SWEEPER 4800



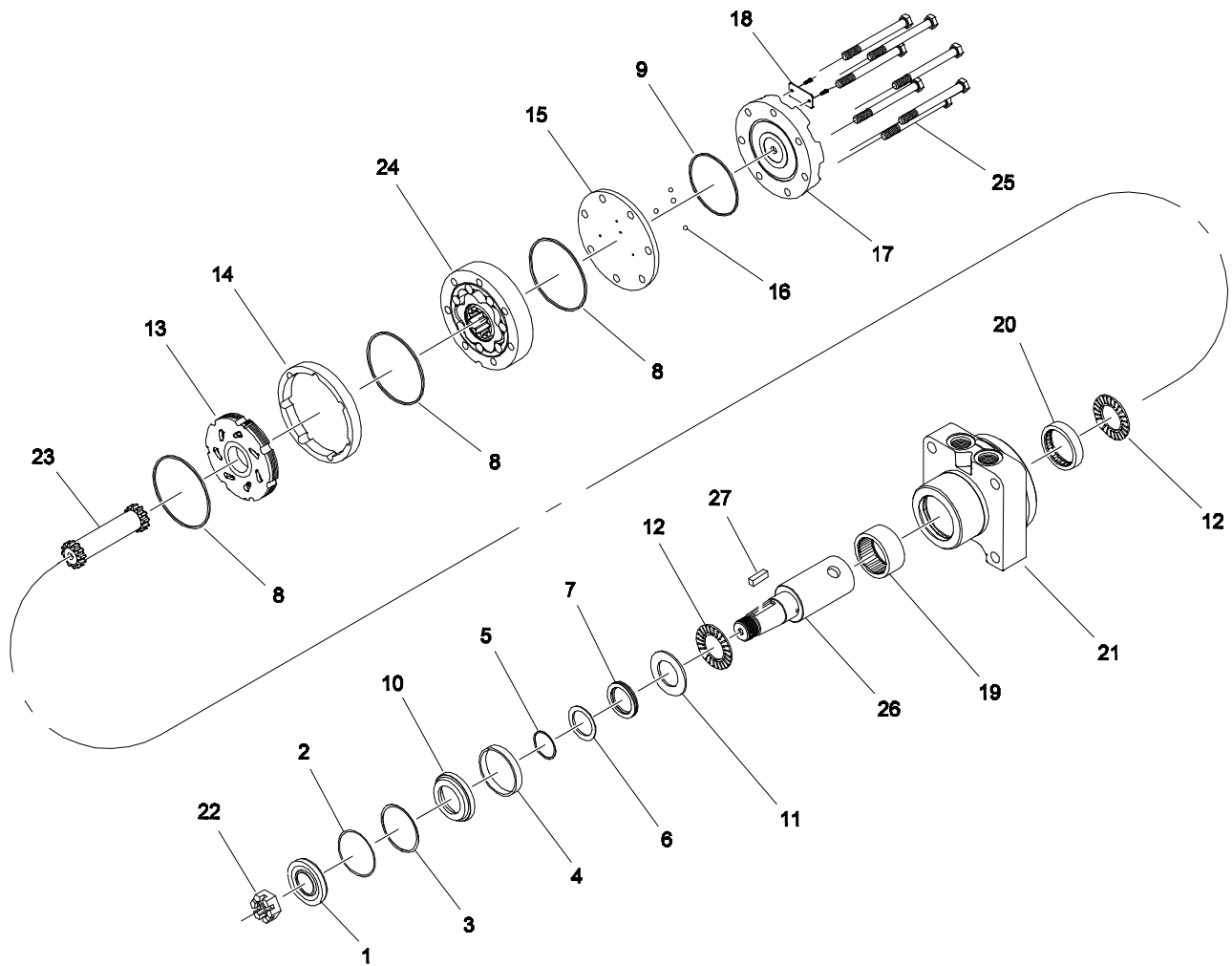
MAIN FRAME ASSEMBLY

48-001

| Ref. No. | Part No. | Description | No. Used |
|----------|-------------|----------------------------------|----------|
| 1 | 48-005-0764 | Main Frame | 1 |
| 2 | 48-005-0462 | Seat Mount | 1 |
| 3 | 323-10 | Capscrew - Hex Hd. | 4 |
| 4 | 01-261-0240 | Spring | 4 |
| 5 | 3296-39 | Lock Nut | 2 |
| 6 | 01-286-0220 | Seat | 1 |
| 7 | 01-182-0616 | Capscrew - Hex Hd. | 4 |
| 8 | 3253-5 | Lock Washer | 5 |
| 9 | 3256-4 | Flat Washer | 5 |
| 10 | 48-004-1861 | Hose Hold Down Bracket | 2 |
| 11 | 3217-7 | Hex Nut | 13 |
| 12 | 01-455-0100 | Elbow | 1 |
| 13 | 01-451-0010 | Pipe Plug | 1 |
| 14 | 01-304-0410 | Hydraulic Motor (Incl. Ref. #22) | 2 |
| * | 01-304-0260 | Seal Kit | 1 |

| Ref. No. | Part No. | Description | No. Used |
|----------|-------------|-------------------------------|----------|
| 15 | 325-12 | Capscrew - Hex Hd. | 8 |
| 16 | 3253-7 | Lock Washer | 8 |
| 17 | 3217-9 | Hex Nut | 8 |
| 18 | 48-004-1751 | Air Deflector | 1 |
| 19 | 323-6 | Capscrew - Hex Hd. | 3 |
| 20 | 01-269-2540 | Wheel Hub | 2 |
| 21 | 01-151-0170 | Cotter Pin | 2 |
| 22 | 01-190-1620 | Castle Nut (Incl. w/Ref. #14) | 2 |
| 23 | 01-269-0330 | Tire | 2 |
| 24 | 01-158-2040 | Lug Bolt | 10 |
| 25 | 01-288-0020 | Hour Meter (Onan) | 1 |
| * | 01-127-0070 | Plastic Plug (B & S) | 1 |
| 26 | 01-269-1020 | Wheel | 2 |

* Not Illustrated



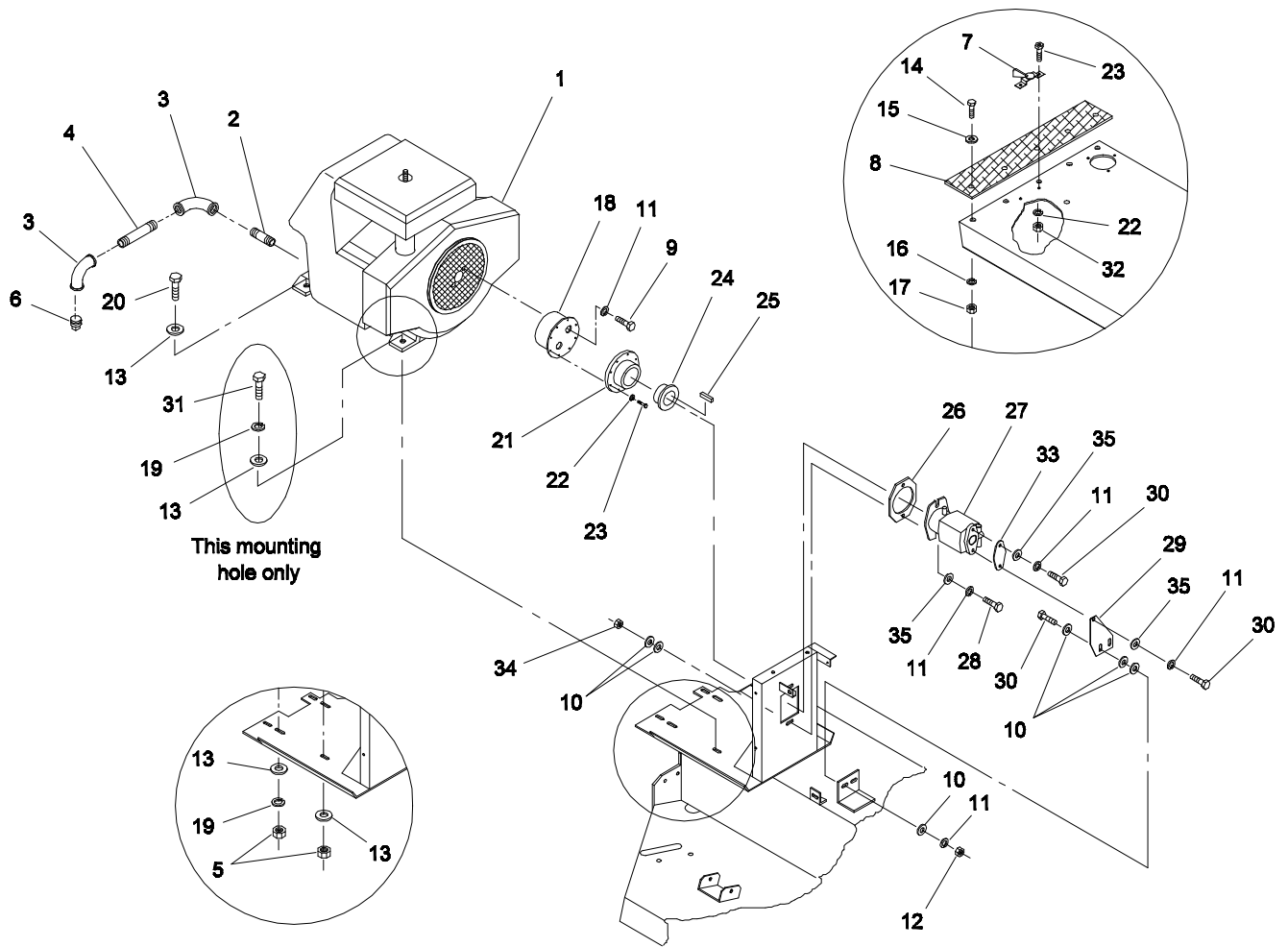
HYDRAULIC MOTOR - NO. 01-304-0410

HYDM0410

| Ref. No. | Part No. | Description | No. Used |
|----------|-------------|--------------------------|----------|
| 1 | | Dust Seal | 1 |
| 2 | | Snap Ring | 1 |
| 3 | | Backup Shim | 1 |
| 4 | | Lathe Cut Seal | 1 |
| 5 | | Backup Shim | 1 |
| 6 | | Teflon Backup | 1 |
| 7 | | Shaft Seal | 1 |
| 8 | | Body Seal | 3 |
| 9 | | Endcover Seal | 1 |
| 10 | | Seal Carrier | 1 |
| 11 | | Thrust Washer | 1 |
| * | 01-304-0260 | Seal Kit (Incl. #1 - 11) | 1 |
| 12 | 01-304-0660 | Thrust Bearing | 2 |
| 13 | 01-304-1560 | Manifold (CCW) | 1 |
| 14 | 01-304-1550 | Manifold Boot | 1 |

| Ref. No. | Part No. | Description | No. Used |
|----------|-------------|----------------------------------|----------|
| 15 | | Balance Plate | 1 |
| 16 | | Ball (3/16" steel) | 4 |
| * | 01-304-1570 | Balance Plate Kit (Incl. #15,16) | 1 |
| 17 | 01-304-1580 | Endcover | 1 |
| 18 | | I. D. Tag Assembly | 1 |
| 19 | | Roller Bearing | 1 |
| 20 | | Roller Bearing | 1 |
| 21 | | Housing | 1 |
| * | 01-304-0840 | Housing Kit (Incl. #19 - 21) | 1 |
| 22 | 01-190-1620 | Castle Nut | 1 |
| 23 | 01-304-0850 | Drive Link | 1 |
| 24 | 01-304-0860 | Rotor Set | 1 |
| 25 | 01-304-0870 | Bolt Set (7) | 1 |
| 26 | 01-304-0490 | Shaft | 1 |
| 27 | 01-304-0880 | Shaft Key | 1 |

* Not Illustrated



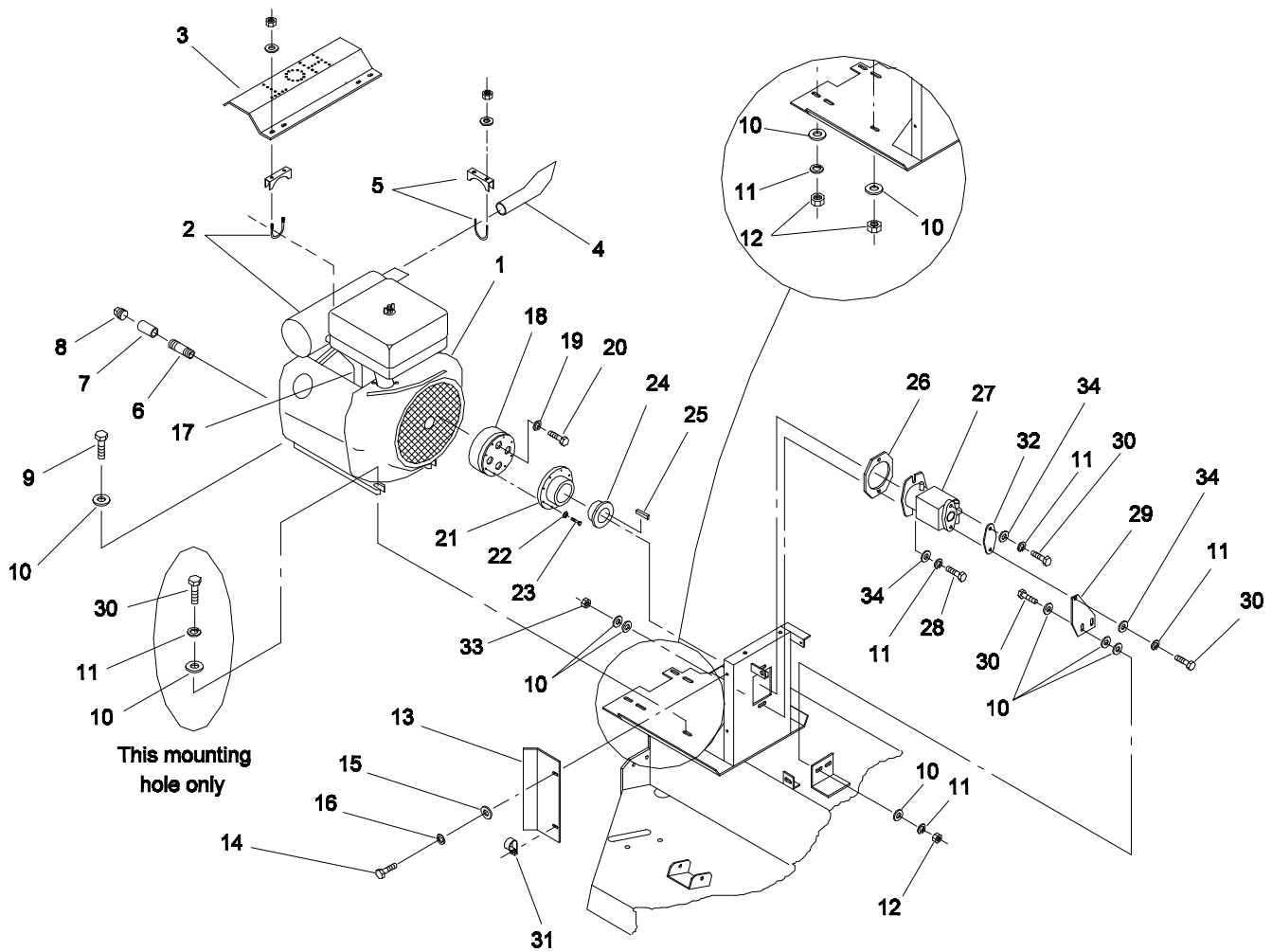
BRIGGS & STRATTON ENGINE MOUNTING - MODEL NO. 44040

48-004

| Ref. No. | Part No. | Description | No. Used |
|----------|-------------|-----------------------|----------|
| 1 | 01-270-1640 | Engine | 1 |
| * | 01-600-0050 | Battery Cable (neg.) | 1 |
| * | 01-600-0060 | Battery Cable (pos.) | 1 |
| 2 | 01-456-0050 | Pipe Nipple | 1 |
| 3 | 01-455-0030 | Pipe Elbow | 2 |
| 4 | 01-456-0070 | Pipe Nipple | 1 |
| 5 | 3217-6 | Hex Nut | 4 |
| 6 | 01-451-0020 | Pipe Plug | 1 |
| 7 | 48-002-0071 | Throttle Assembly | 1 |
| * | 01-256-0020 | Throttle Handle | 1 |
| * | 48-004-4071 | Throttle Outer Sheath | 1 |
| * | 48-004-4081 | Throttle Inner Wire | 1 |
| 8 | 48-004-6441 | Flywheel Guard | 1 |
| 9 | 323-8 | Capscrew - Hex Hd. | 2 |
| 10 | 3256-4 | Flat Washer | 12 |
| 11 | 3253-5 | Lock Washer | 8 |
| 12 | 3217-7 | Hex Nut | 2 |
| 13 | 3256-3 | Flat Washer | 8 |
| 14 | 321-6 | Capscrew - Hex Hd. | 5 |
| 15 | 3256-2 | Flat Washer | 5 |
| 16 | 3253-3 | Lock Washer | 5 |
| 17 | 3217-5 | Hex Nut | 5 |

| Ref. No. | Part No. | Description | No. Used |
|----------|-------------|-----------------------|----------|
| 18 | 48-004-5052 | Engine Adaptor | 1 |
| 19 | 3253-4 | Lock Washer | 4 |
| 20 | 322-7 | Capscrew - Hex Hd. | 3 |
| 21 | 01-265-0180 | Flex Coupling | 1 |
| 22 | 01-169-0010 | Lock Washer | 10 |
| 23 | 01-158-0150 | Capscrew - Socket Hd. | 10 |
| 24 | 01-260-0900 | "H" Bushing | 1 |
| 25 | 48-004-5071 | Key | 1 |
| 26 | 48-004-5521 | Cessna Pump Spacer | 1 |
| 27 | 01-305-0090 | Cessna Pump | 1 |
| * | 48-005-0641 | Tow Valve Handle | 1 |
| * | 01-163-0100 | Set Screw | 1 |
| * | 92-4650 | Seal Kit | 1 |
| 28 | 323-10 | Capscrew - Hex Hd. | 2 |
| 29 | 48-004-3131 | Pump Support | 1 |
| 30 | 323-7 | Capscrew - Hex Hd. | 4 |
| 31 | 322-6 | Capscrew - Hex Hd. | 1 |
| 32 | 3217-26 | Hex Nut | 2 |
| 33 | 92-4642 | Cessna Backing Plate | 1 |
| 34 | 3296-39 | Lock Nut | 2 |
| 35 | 3256-24 | "SAE" Flat Washer | 4 |

* Not Illustrated



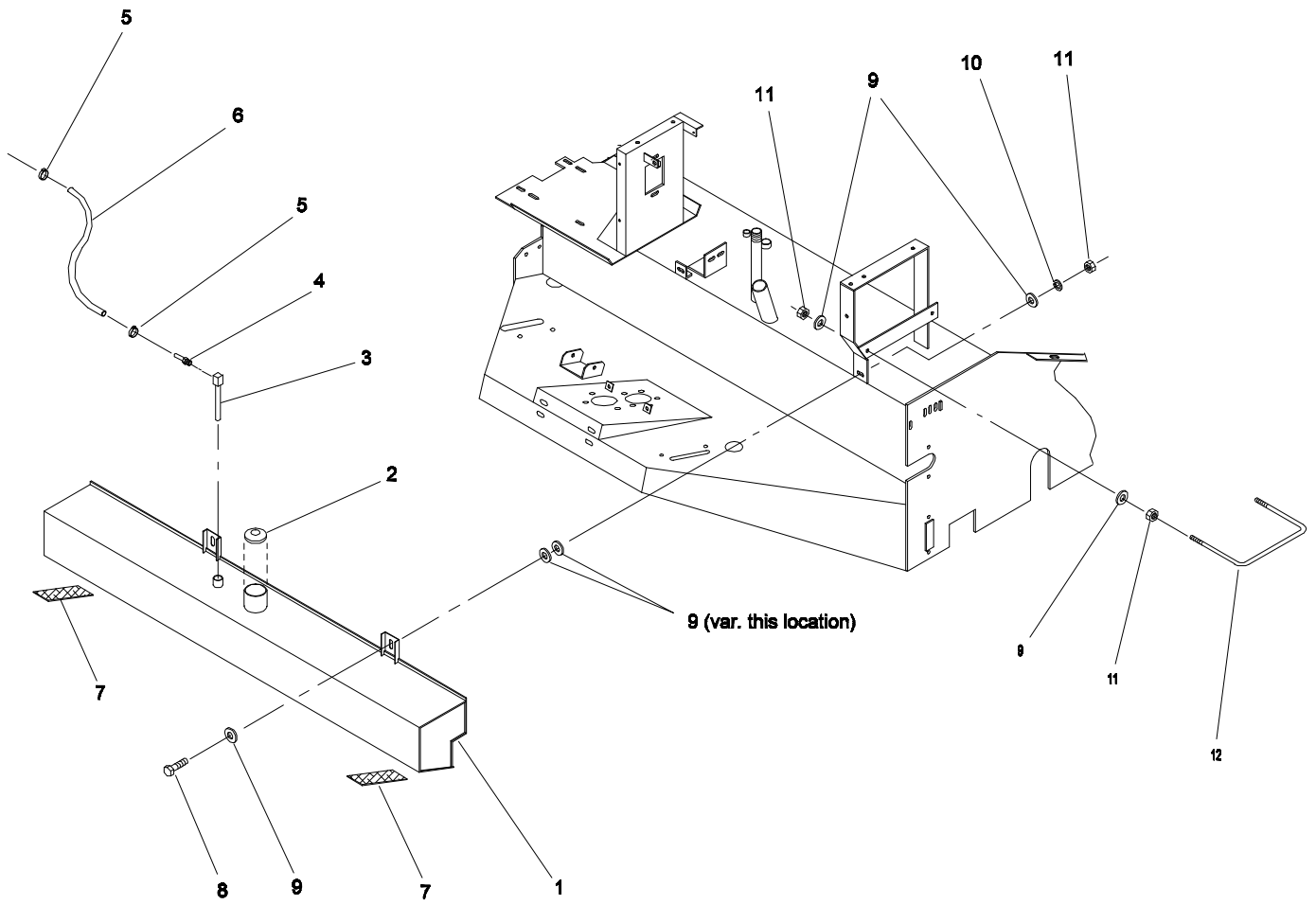
ONAN ENGINE MOUNTING - MODEL NO. 44045

48-002

| Ref. No. | Part No. | Description | No. Used |
|----------|-------------|---|----------|
| 1 | 01-270-1370 | Engine | 1 |
| * | 01-600-0050 | Battery Cable (neg.) | 1 |
| * | 01-600-0190 | Battery Cable (pos.) | 1 |
| 2 | 01-273-0240 | Muffler Kit, Includes clamps & muffler | 1 |
| 3 | 48-004-5651 | Muffler Guard | 1 |
| 4 | 01-273-0310 | Exhaust Extension | 1 |
| 5 | 01-170-0160 | Clamp | 1 |
| 6 | 01-456-0050 | Pipe Nipple | 1 |
| 7 | 01-453-0130 | Pipe Coupling | 1 |
| 8 | 01-451-0020 | Pipe Plug | 1 |
| 9 | 323-8 | Capscrew - Hex Hd. | 3 |
| 10 | 3256-4 | Flat Washer | 20 |
| 11 | 3253-5 | Lock Washer | 10 |
| 12 | 3217-7 | Hex Nut | 6 |
| 13 | 48-004-6391 | Onan Flywheel Guard | 1 |
| 14 | 321-6 | Capscrew - Hex Hd. | 2 |
| 15 | 3256-2 | Flat Washer | 2 |
| 16 | 3253-3 | Lock Washer | 2 |
| 17 | 01-273-0250 | Muffler Tube Kit, Includes tubes, bolts & gaskets | 1 |
| 18 | 48-004-5062 | Engine Adaptor | 1 |

| Ref. No. | Part No. | Description | No. Used |
|----------|-------------|-----------------------|----------|
| 19 | 3253-4 | Lock Washer | 4 |
| 20 | 322-6 | Capscrew - Hex Hd. | 4 |
| 21 | 01-265-0180 | Flex Coupling | 1 |
| 22 | 01-169-0010 | Lock Washer | 8 |
| 23 | 01-158-0150 | Capscrew - Socket Hd. | 8 |
| 24 | 01-260-0900 | "H" Bushing | 1 |
| 25 | 48-004-5071 | Key | 1 |
| 26 | 48-004-5521 | Cessna Pump Spacer | 1 |
| 27 | 01-305-0090 | Cessna Pump | 1 |
| * | 48-005-0641 | Tow Valve Handle | 1 |
| * | 01-163-0100 | Set Screw | 1 |
| * | 92-4650 | Seal Kit | 1 |
| 28 | 323-10 | Capscrew - Hex Hd. | 2 |
| 29 | 48-004-3131 | Pump Support | 1 |
| 30 | 323-7 | Capscrew - Hex Hd. | 5 |
| 31 | 01-202-0190 | Cable Clamp | 1 |
| 32 | 92-4642 | Cessna Backing Plate | 1 |
| 33 | 3296-39 | Lock Nut | 2 |
| 34 | 3256-24 | "SAE" Flat Washer | 4 |

* Not Illustrated



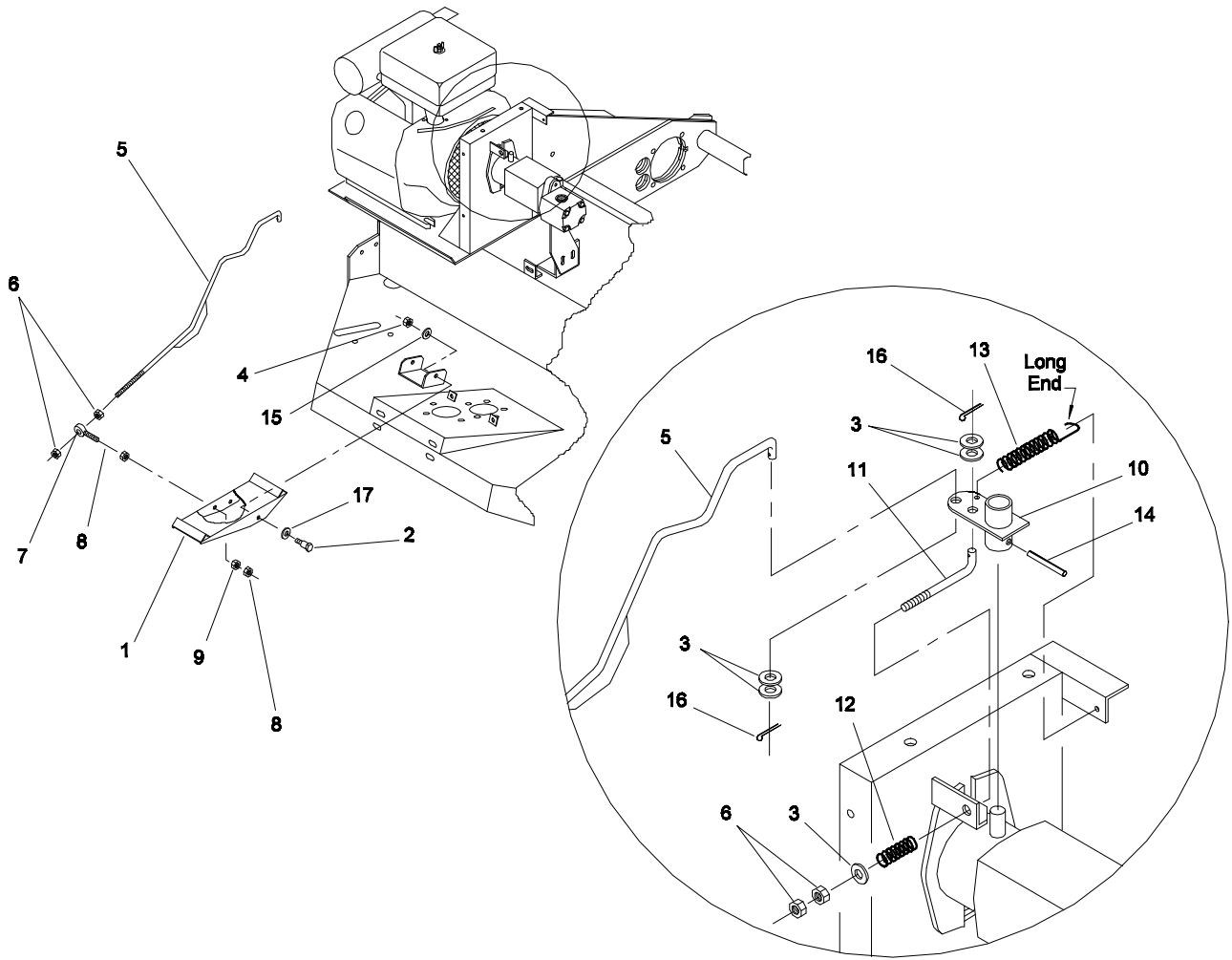
GAS TANK & BATTERY HOLD DOWN

48-007

| Ref. No. | Part No. | Description | No. Used |
|----------|-------------|---------------------------|----------|
| 1 | 48-005-0712 | Gas Tank | 1 |
| 2 | 01-280-0020 | Gas Cap - Type A - Vented | 1 |
| 3 | 01-280-0190 | Tank Withdrawal Assembly | 1 |
| 4 | 01-217-0060 | Hose Barb | 1 |
| 5 | 01-202-0030 | Hose Clamp | 2 |
| 6 | 48-004-6261 | Fuel Line (Onan) | 1 |
| * | 48-004-4111 | Fuel Line (B & S) | 1 |

| Ref. No. | Part No. | Description | No. Used |
|----------|-------------|--------------------|----------|
| 7 | 48-004-5131 | PVK80 Rubber | 2 |
| 8 | 323-7 | Capscrew - Hex Hd. | 2 |
| 9 | 3256-4 | Flat Washer | 12(var) |
| 10 | 3253-5 | Lock Washer | 2 |
| 11 | 3217-7 | Hex Nut | 6 |
| 12 | 48-004-3831 | Battery Hold Down | 1 |

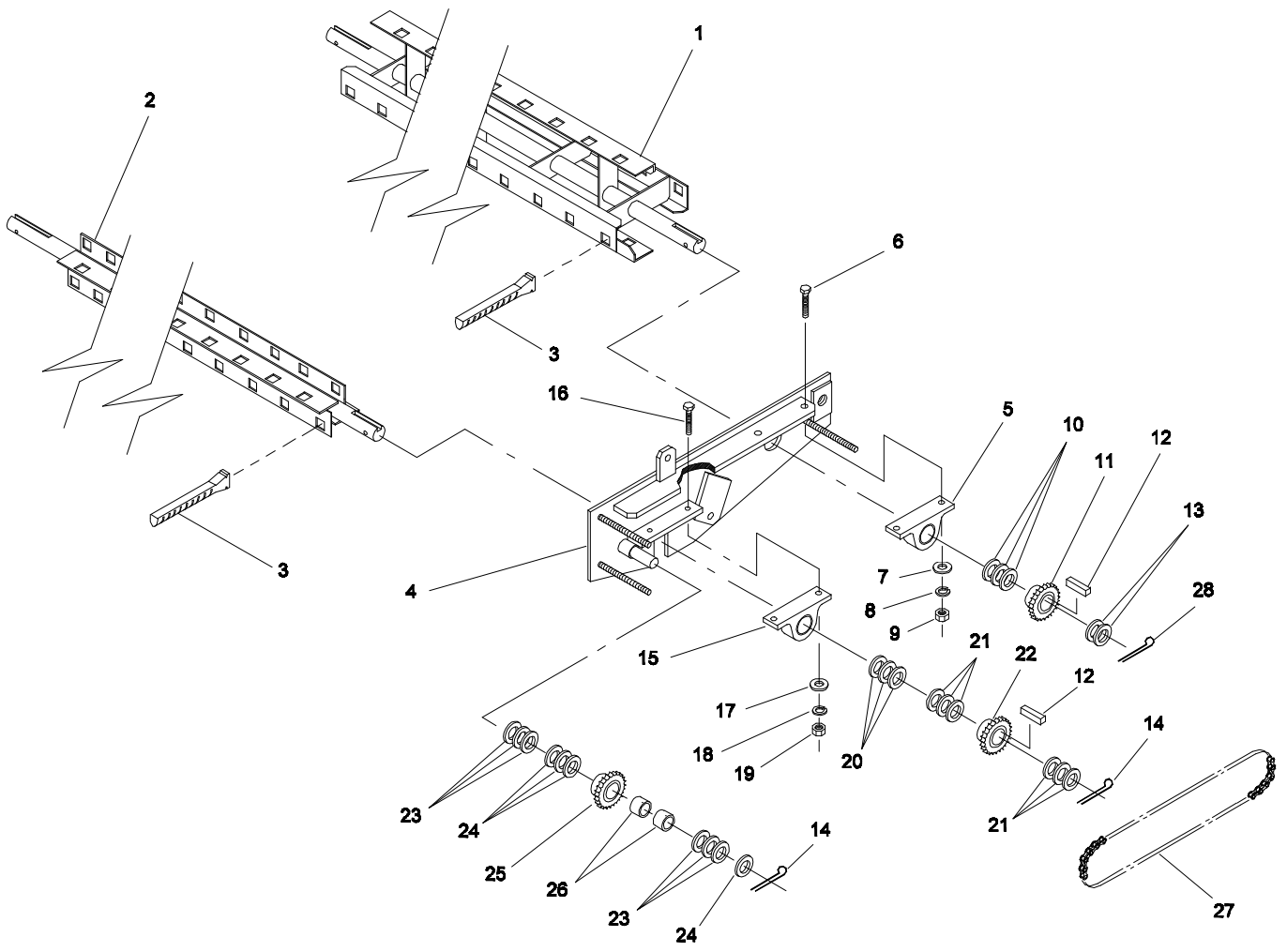
* Not Illustrated



FOOT PEDAL & PUMP CONTROL ROD ASSEMBLY 48-003

| Ref. No. | Part No. | Description | No. Used |
|----------|-------------|-----------------|----------|
| 1 | 48-005-0621 | Foot Pedal | 1 |
| 2 | 01-158-0270 | Shoulder Bolt | 2 |
| 3 | 3256-4 | Flat Washer | 5 |
| 4 | 01-189-0518 | Lock Nut | 2 |
| 5 | 48-005-8231 | Control Rod | 1 |
| 6 | 3217-7 | Hex Nut | 4 |
| 7 | 01-250-0020 | Rod End Bearing | 1 |
| 8 | 3220-3 | Jam Nut | 2 |
| 9 | 3219-3 | Hex Nut | 1 |

| Ref. No. | Part No. | Description | No. Used |
|----------|-------------|---------------------------|----------|
| 10 | 48-005-0241 | Pump Control Arm Assembly | 1 |
| 11 | 48-004-2601 | Spring Rod | 1 |
| 12 | 01-261-0330 | Spring | 1 |
| 13 | 01-261-0930 | Spring | 1 |
| 14 | 32121-12 | Roll Pin | 1 |
| 15 | 3256-2 | Flat Washer | 2 |
| 16 | 3272-11 | Cotter Pin | 2 |
| 17 | 3256-23 | "SAE" Flat Washer | 2 |



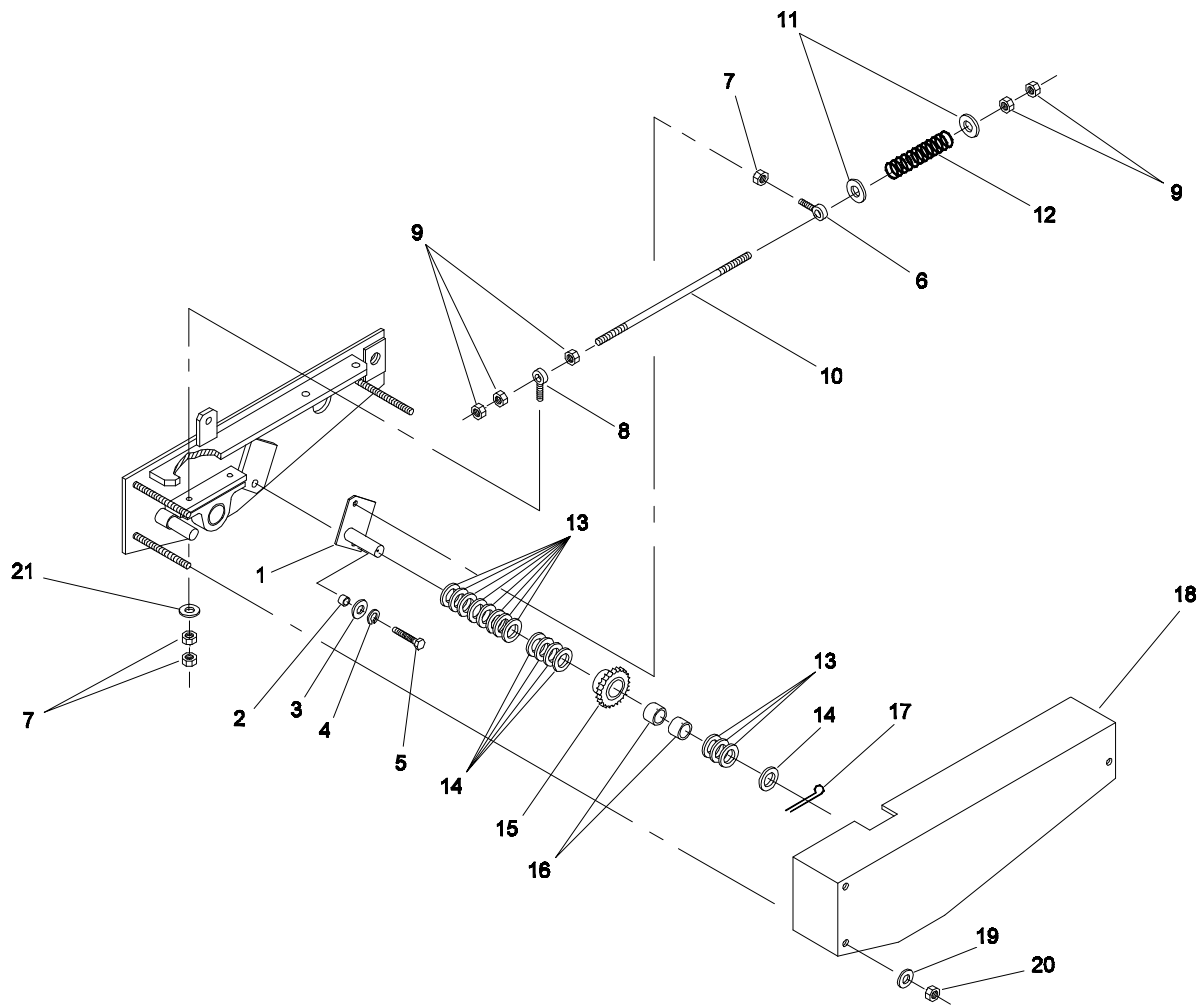
SWEEPER REEL & TIMING CHAIN ASSEMBLY

48-008

| Ref. No. | Part No. | Description | No. Used |
|----------|-------------|---------------------------|----------|
| 1 | 48-005-0201 | Rear Reel Assembly | 1 |
| 2 | 48-005-0131 | Front Reel Assembly | 1 |
| 3 | 01-279-0010 | Rubber Fingers | 116 |
| 4 | 48-005-0182 | Reel Plate Assembly, L.H. | 1 |
| 5 | 01-113-0020 | Bearing | 1 |
| 6 | 325-7 | Capscrew - Hex Hd. | 2 |
| 7 | 3256-26 | "SAE" Flat Washer | 2 |
| 8 | 3253-7 | Lock Washer | 2 |
| 9 | 3217-9 | Hex Nut | 2 |
| 10 | 01-168-2014 | Machinery Bushing | 3(var) |
| 11 | 01-262-0040 | Sprocket | 1 |
| 12 | 48-004-1931 | Key | 2 |
| 13 | 01-168-2010 | Machinery Bushing | 2 |
| 14 | 3272-23 | Cotter Pin | 2 |
| 15 | 01-113-0010 | Bearing | 1 |
| 16 | 323-8 | Capscrew - Hex Hd. | 1 |

| Ref. No. | Part No. | Description | No. Used |
|----------|-------------|---|----------|
| 17 | 3256-24 | "SAE" Flat Washer | 1 |
| 18 | 3253-5 | Lock Washer | 1 |
| 19 | 3217-7 | Hex Nut | 1 |
| 20 | 01-168-1610 | Machinery Bushing | 3(var) |
| 21 | 01-168-1614 | Machinery Bushing | 6(var) |
| 22 | 01-262-0050 | Sprocket | 1 |
| 23 | 01-168-1410 | Machinery Bushing | 6(var) |
| 24 | 01-168-1414 | Machinery Bushing | 4(var) |
| 25 | 01-262-0610 | Sprocket | 1 |
| 26 | 01-105-0520 | Needle Bearing | 2 |
| * | 48-002-5441 | Idler Sprocket Assembly (Incl. Ref. #25, 26) | 1 |
| 27 | 48-004-4041 | Reel Chain, #50 | 1 |
| * | 01-251-0020 | Offset Link | 1 |
| 28 | 3272-25 | Cotter Pin | 1 |

* Not Illustrated



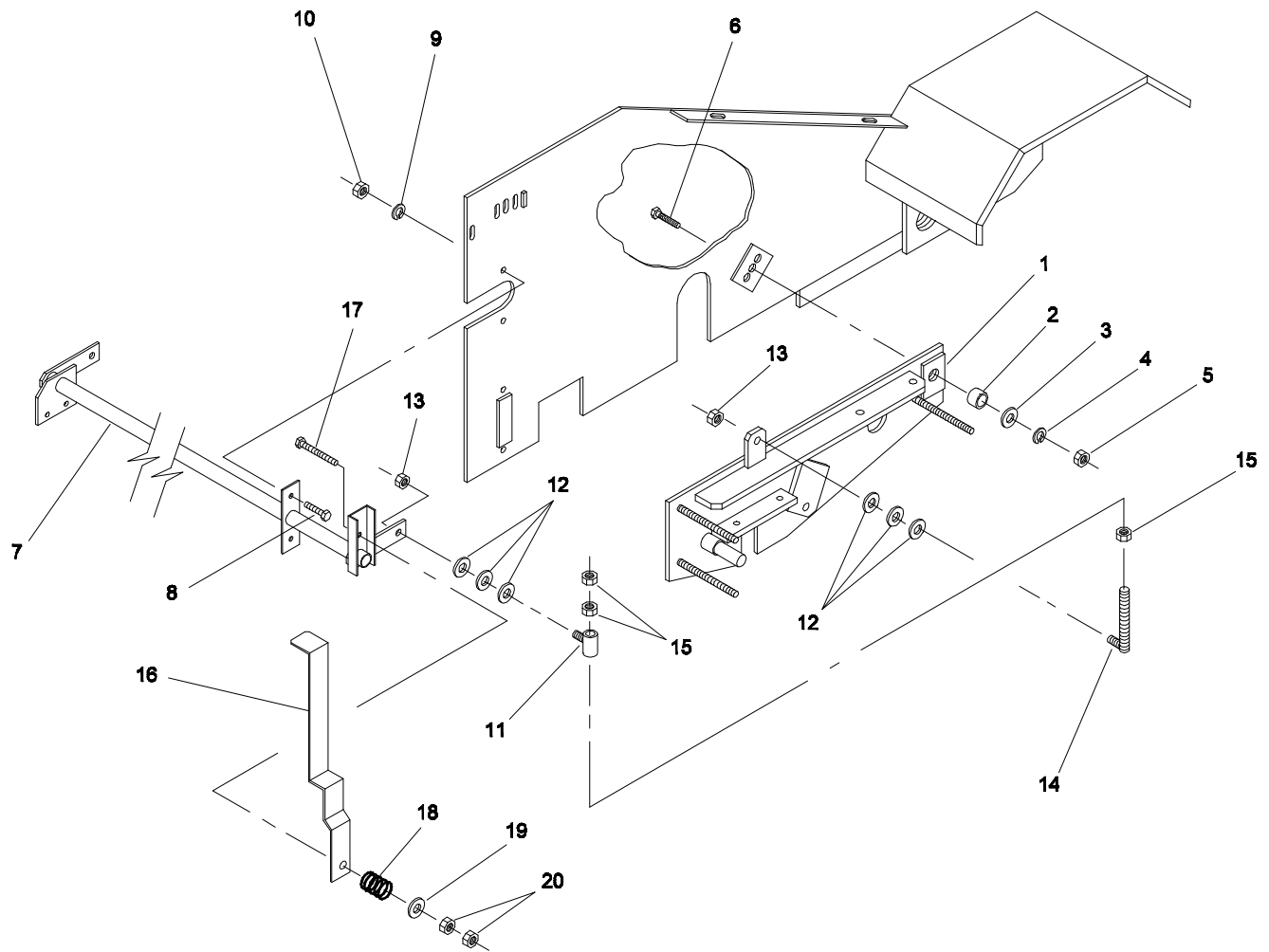
CHAIN IDLER & GUARD ASSEMBLY

48-009

| Ref. No. | Part No. | Description | No. Used |
|----------|-------------|-------------------------|----------|
| 1 | 48-005-0191 | Idler Shaft Assembly | 1 |
| 2 | 48-004-3881 | Spacer | 1 |
| 3 | 3256-26 | "SAE" Flat Washer | 1 |
| 4 | 3253-7 | Lock Washer | 1 |
| 5 | 325-5 | Capscrew - Hex Hd. | 1 |
| 6 | 02-250-0020 | Rod End Bearing (short) | 1 |
| 7 | 3220-3 | Jam Nut | 3 |
| 8 | 01-250-0020 | Rod End Bearing | 1 |
| 9 | 3217-7 | Hex Nut | 5 |
| 10 | 48-004-3891 | Idler Spring Rod | 1 |
| 11 | 3256-4 | Flat Washer | 2 |
| 12 | 01-261-0300 | Spring | 1 |

| Ref. No. | Part No. | Description | No. Used |
|----------|-------------|--|----------|
| 13 | 01-168-1410 | Machinery Bushing | 11(var) |
| 14 | 01-168-1414 | Machinery Bushing | 5(var) |
| 15 | 01-262-0610 | Sprocket | 1 |
| 16 | 01-105-0520 | Needle Bearing | 2 |
| * | 48-002-5441 | Idler Sprocket Assembly (Incl. Ref. # 15, 16) | 1 |
| 17 | 3272-23 | Cotter Pin | 1 |
| 18 | 48-005-0162 | Idler Cover | 1 |
| 19 | 3256-5 | Flat Washer | 3 |
| 20 | 3296-48 | Lock Nut | 3 |
| 21 | 3256-24 | "SAE" Flat Washer | 1 |

* Not Illustrated

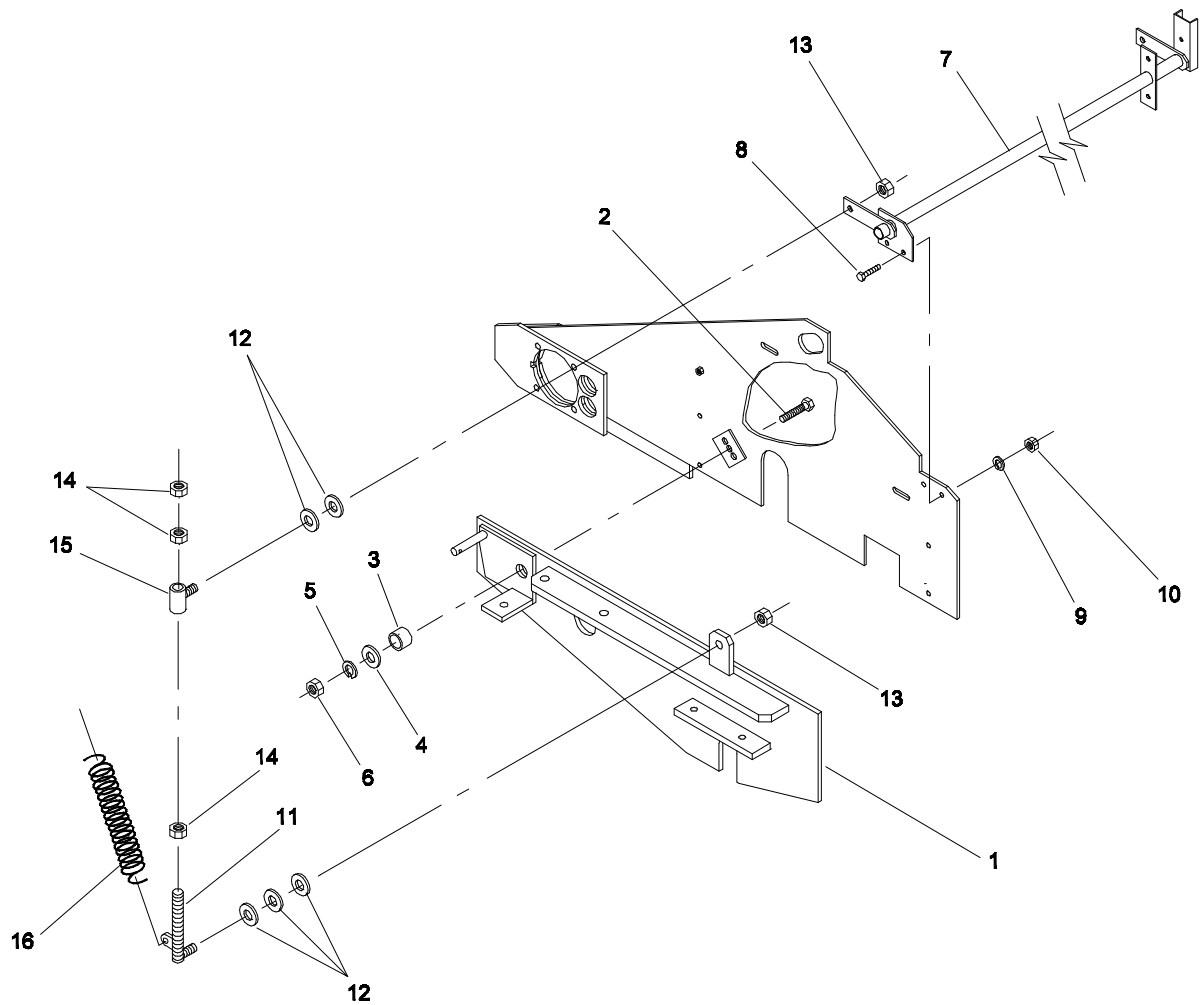


REEL LIFT ASSEMBLY - L.H.

48-010

| Ref. No. | Part No. | Description | No. Used |
|----------|-------------|--------------------------|----------|
| 1 | 48-005-0182 | Reel Plate Assembly-L.H. | 1 |
| 2 | 48-004-5841 | Reel Plate Spacer | 1 |
| 3 | 3256-27 | "SAE" Flat Washer | 1 |
| 4 | 3253-8 | Lock Washer | 1 |
| 5 | 3218-6 | Jam Nut | 1 |
| 6 | 327-6 | Capscrew - Hex Hd. | 1 |
| 7 | 48-005-0432 | Reel Lift Assembly | 1 |
| 8 | 323-6 | Capscrew - Hex Hd. | 2 |
| 9 | 3253-5 | Lock Washer | 2 |
| 10 | 3217-7 | Hex Nut | 2 |

| Ref. No. | Part No. | Description | No. Used |
|----------|-------------|-----------------------------|----------|
| 11 | 48-005-0591 | Reel Lift Tube Assembly | 1 |
| 12 | 3256-6 | Flat Washer | 6 |
| 13 | 01-189-0813 | Lock Nut | 2 |
| 14 | 48-005-0231 | Reel Lift Rod Assembly-L.H. | 1 |
| 15 | 3217-11 | Hex Nut | 3 |
| 16 | 48-005-0222 | Handle | 1 |
| 17 | 323-11 | Capscrew - Hex Hd. | 1 |
| 18 | 01-261-0240 | Spring | 1 |
| 19 | 3256-4 | Flat Washer | 1 |
| 20 | 3218-3 | Jam Nut | 2 |

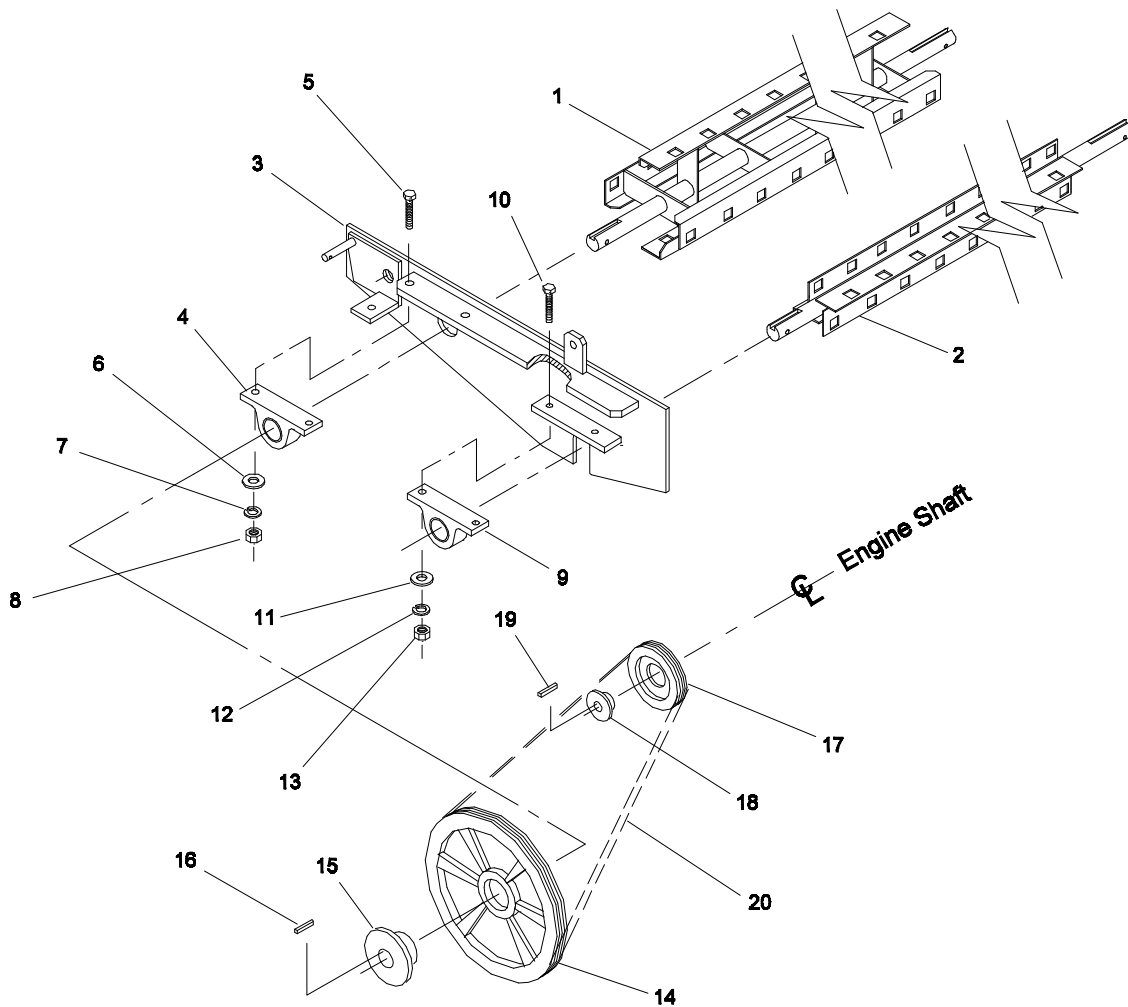


REEL LIFT ASSEMBLY - R.H.

48-011

| Ref. No. | Part No. | Description | No. Used |
|----------|-------------|--------------------------|----------|
| 1 | 48-005-0172 | Reel Plate Assembly-R.H. | 1 |
| 2 | 327-6 | Capscrew - Hex Hd. | 1 |
| 3 | 48-004-5841 | Reel Plate Spacer | 1 |
| 4 | 3256-27 | "SAE" Flat Washer | 1 |
| 5 | 3253-8 | Lock Washer | 1 |
| 6 | 3218-6 | Jam Nut | 1 |
| 7 | 48-005-0432 | Reel Lift Assembly | 1 |
| 8 | 323-6 | Capscrew - Hex Hd. | 2 |

| Ref. No. | Part No. | Description | No. Used |
|----------|-------------|-----------------------------|----------|
| 9 | 3253-5 | Lock Washer | 2 |
| 10 | 3217-7 | Hex Nut | 2 |
| 11 | 48-005-5781 | Reel Lift Rod Assembly-R.H. | 1 |
| 12 | 3256-6 | Flat Washer | 5 |
| 13 | 01-189-0813 | Lock Nut | 2 |
| 14 | 3217-11 | Hex Nut | 3 |
| 15 | 48-005-0591 | Reel Lift Tube Assembly | 1 |
| 16 | 01-261-0340 | Spring | 1 |



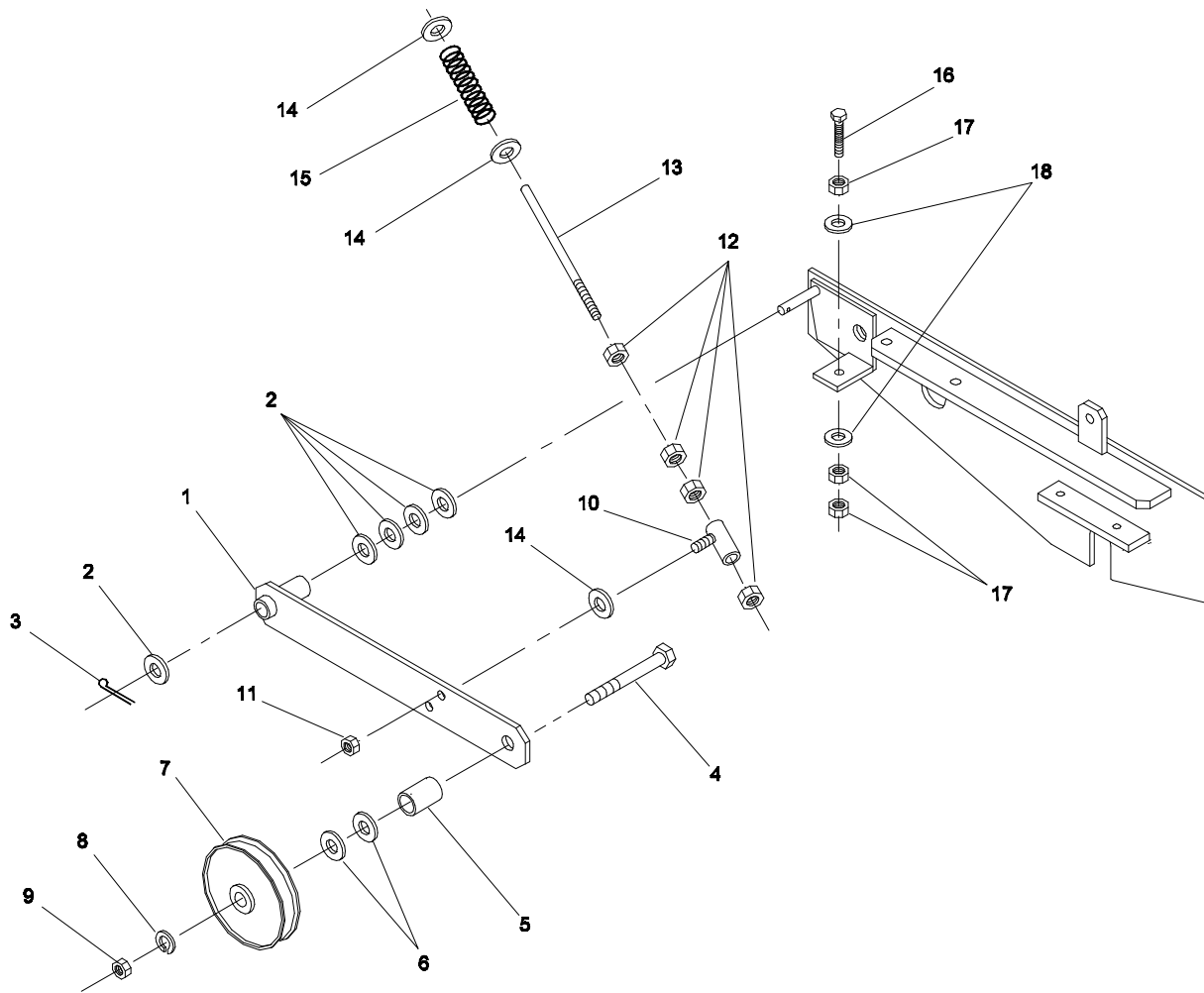
BELT DRIVE ASSEMBLY

48-012

| Ref. No. | Part No. | Description | No. Used |
|----------|-------------|--------------------------|----------|
| 1 | 48-005-0201 | Rear Reel Assembly | 1 |
| 2 | 48-005-0131 | Front Reel Assembly | 1 |
| 3 | 48-005-0172 | Reel Plate Assembly-R.H. | 1 |
| 4 | 01-113-0020 | Bearing | 1 |
| 5 | 325-7 | Capscrew - Hex Hd. | 2 |
| 6 | 3256-26 | "SAE" Flat Washer | 2 |
| 7 | 3253-7 | Lock Washer | 2 |
| 8 | 3217-9 | Hex Nut | 2 |
| 9 | 01-113-0010 | Bearing | 1 |
| 10 | 323-8 | Capscrew - Hex Hd. | 2 |
| 11 | 3256-24 | "SAE" Flat Washer | 2 |

| Ref. No. | Part No. | Description | No. Used |
|----------|-------------|-----------------|----------|
| 12 | 3253-5 | Lock Washer | 2 |
| 13 | 3217-7 | Hex Nut | 2 |
| 14 | 01-260-0010 | Sheave | 1 |
| 15 | 01-260-0290 | Bushing | 1 |
| 16 | 66-004-3211 | Key | 1 |
| 17 | 01-260-0110 | Sheave | 1 |
| 18 | 01-260-0780 | Bushing (Onan) | 1 |
| * | 01-260-0280 | Bushing (B & S) | 1 |
| 19 | 82-004-1171 | Key | 1 |
| 20 | 01-264-0010 | Belt | 1 |

* Not Illustrated

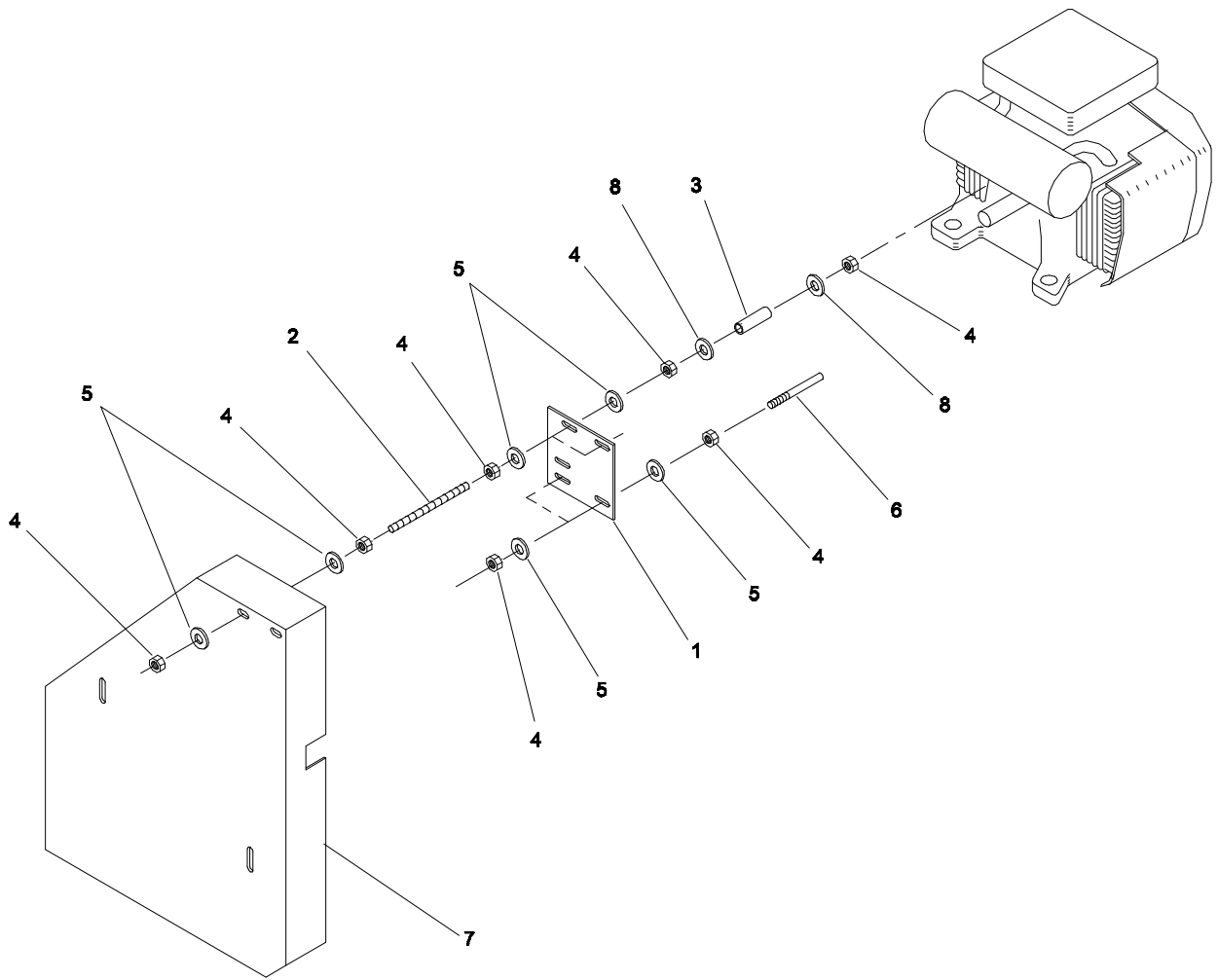


BELT IDLER ASSEMBLY

48-018

| Ref. No. | Part No. | Description | No. Used |
|----------|-------------|--------------------|----------|
| 1 | 48-005-0611 | Idler Arm | 1 |
| 2 | 01-168-1014 | Machinery Bushing | 5 |
| 3 | 3272-21 | Cotter Pin | 1 |
| 4 | 327-14 | Capscrew - Hex Hd. | 1 |
| 5 | 48-004-3471 | Spacer | 1 |
| 6 | 3256-7 | Flat Washer | 3 |
| 7 | 01-268-0010 | Pulley | 1 |
| 8 | 3253-8 | Lock Washer | 1 |
| 9 | 3217-11 | Hex Nut | 1 |

| Ref. No. | Part No. | Description | No. Used |
|----------|-------------|---------------------------|----------|
| 10 | 48-005-0121 | Spring Tension Adjustment | 1 |
| 11 | 3296-39 | Lock Nut | 1 |
| 12 | 3217-7 | Hex Nut | 4 |
| 13 | 48-004-1711 | Idler Spring Rod | 1 |
| 14 | 3256-4 | Flat Washer | 3 |
| 15 | 01-261-0300 | Spring | 1 |
| 16 | 01-182-0832 | Capscrew - Hex Hd. | 1 |
| 17 | 3217-9 | Hex Nut | 3 |
| 18 | 3256-6 | Flat Washer | 2 |



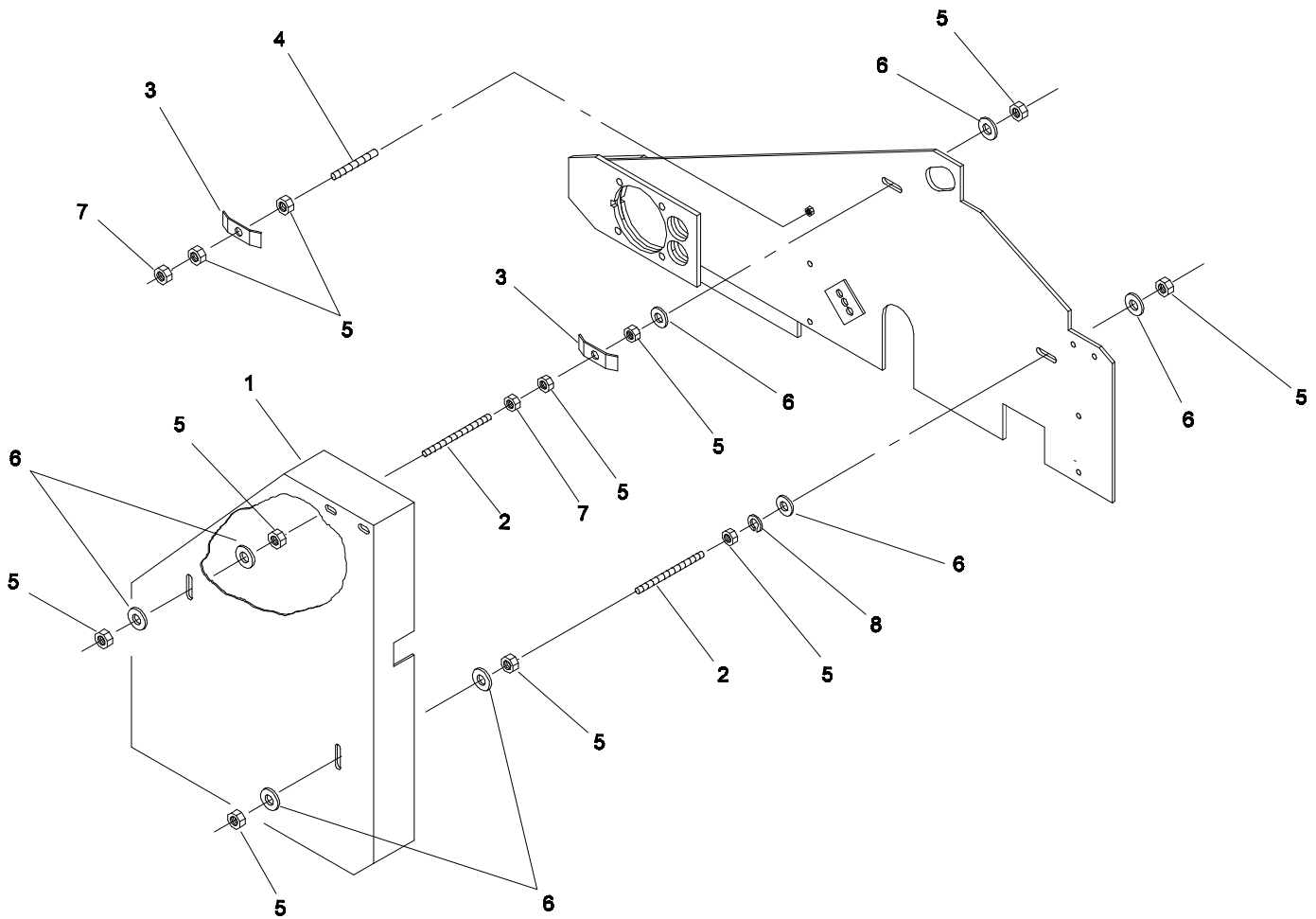
BELT SLIP BRACKET

48-014

| Ref. No. | Part No. | Description | No. Used |
|----------|-------------|--------------------|----------|
| 1 | 48-004-3291 | Belt Slip Bracket | 1 |
| 2 | 01-650-0160 | All Thread (Onan) | 2 |
| * | 01-650-0140 | All Thread (B & S) | 2 |
| 3 | 48-004-6271 | Spacer (Onan) | 2 |
| * | 48-004-2101 | Spacer (B & S) | 2 |

| Ref. No. | Part No. | Description | No. Used |
|----------|-------------|-------------------|----------|
| 4 | 3217-7 | Hex Nut | 14 |
| 5 | 3256-4 | Flat Washer | 12 |
| 6 | 48-004-1211 | Belt Slip Pin | 2 |
| 7 | 48-005-0322 | Belt Guard | 1 |
| 8 | 3256-24 | "SAE" Flat Washer | 4 |

* Not Illustrated

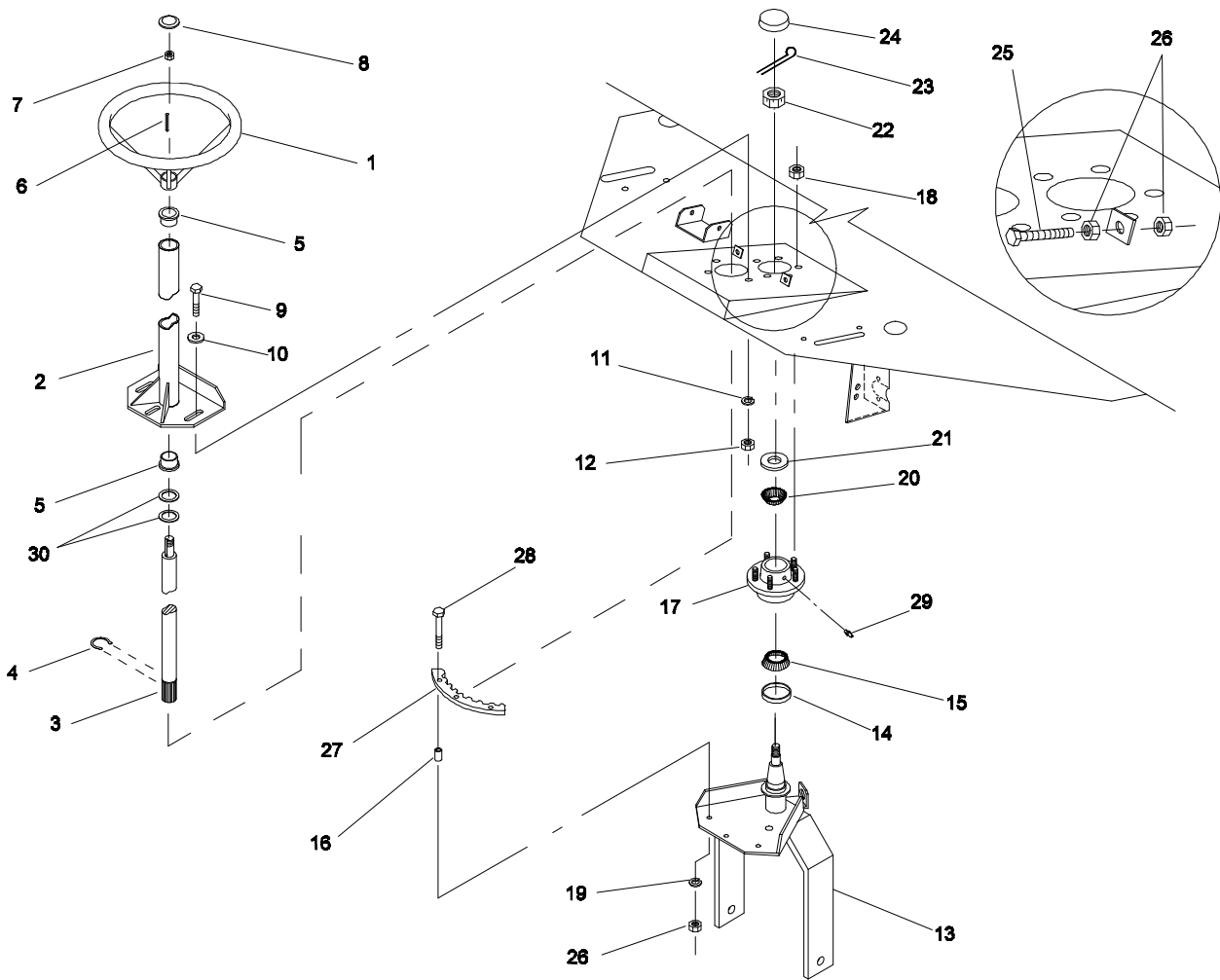


BELT GUARD & HOSE BRACKETS

48-015

| Ref. No. | Part No. | Description | No. Used |
|----------|-------------|------------------------|----------|
| 1 | 48-005-0322 | Belt Guard | 1 |
| 2 | 01-650-0420 | All Thread | 2 |
| 3 | 48-004-1861 | Hose Hold Down Bracket | 2 |
| 4 | 01-650-0280 | All Thread | 1 |

| Ref. No. | Part No. | Description | No. Used |
|----------|----------|-------------|----------|
| 5 | 3217-8 | Hex Nut | 10 |
| 6 | 3256-5 | Flat Washer | 8 |
| 7 | 3218-4 | Jam Nut | 3 |
| 8 | 3253-6 | Lock Washer | 1 |



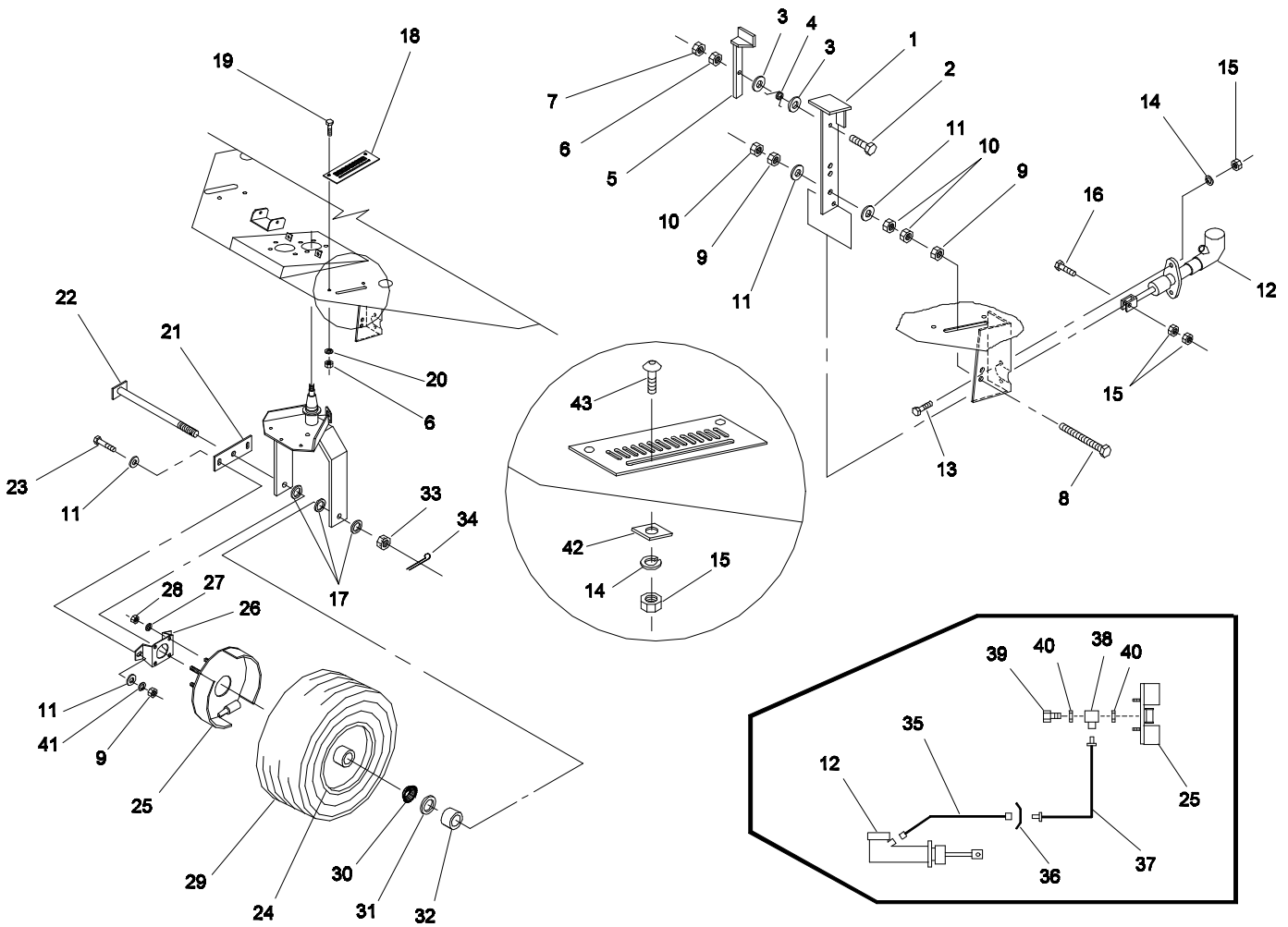
STEERING ASSEMBLY

48-016

| Ref. No. | Part No. | Description | No. Used |
|----------|-------------|---|----------|
| 1 | 01-286-0130 | Steering Wheel | 1 |
| 2 | 54-005-1521 | Steering Column Assembly | 1 |
| * | 54-002-0011 | Steering Column Assembly w/bushing (Incl. Ref. # 2,5) | 1 |
| 3 | 54-004-1501 | Steering Shaft | 1 |
| 4 | 01-160-0410 | Retaining Ring | 1 |
| 5 | 01-126-0110 | Bushing, Oilite | 2 |
| 6 | 48-004-1961 | Key | 1 |
| 7 | 3220-7 | Jam Nut | 1 |
| 8 | 01-286-0030 | Cover Plate | 1 |
| 9 | 325-6 | Capscrew - Hex Hd. | 3 |
| 10 | 3256-6 | Flat Washer | 3 |
| 11 | 3253-7 | Lock Washer | 3 |
| 12 | 3217-9 | Hex Nut | 3 |
| 13 | 54-005-0242 | Steering Yoke Assembly | 1 |
| 14 | 01-405-0370 | Seal | 1 |
| 15 | 01-102-0050 | Bearing | 1 |

| Ref. No. | Part No. | Description | No. Used |
|----------|-------------|--|----------|
| 16 | 48-004-4651 | Sector Spacer | 3 |
| 17 | 01-269-0140 | Steering Hub , complete (Incl. Ref. #14,15,18,20,24) | 1 |
| 18 | 01-269-0300 | Lug Nut | 5 |
| 19 | 3253-5 | Lock Washer | 3 |
| 20 | 01-102-0070 | Bearing | 1 |
| 21 | 3256-28 | "SAE" Flat Washer | 1 |
| 22 | 01-190-1216 | Castle Nut | 1 |
| 23 | 3272-15 | Cotter Pin | 1 |
| 24 | 01-286-0040 | Grease Cap | 1 |
| 25 | 01-182-0620 | Capscrew - Hex Hd. | 2 |
| 26 | 3217-7 | Hex Nut | 7 |
| 27 | 48-004-1282 | Steering Yoke Gear | 1 |
| 28 | 323-11 | Capscrew - Hex Hd. | 3 |
| 29 | 01-215-0050 | Grease Fitting | 1 |
| 30 | 01-168-2010 | Machinery Bushing | 2 |

* Not Illustrated



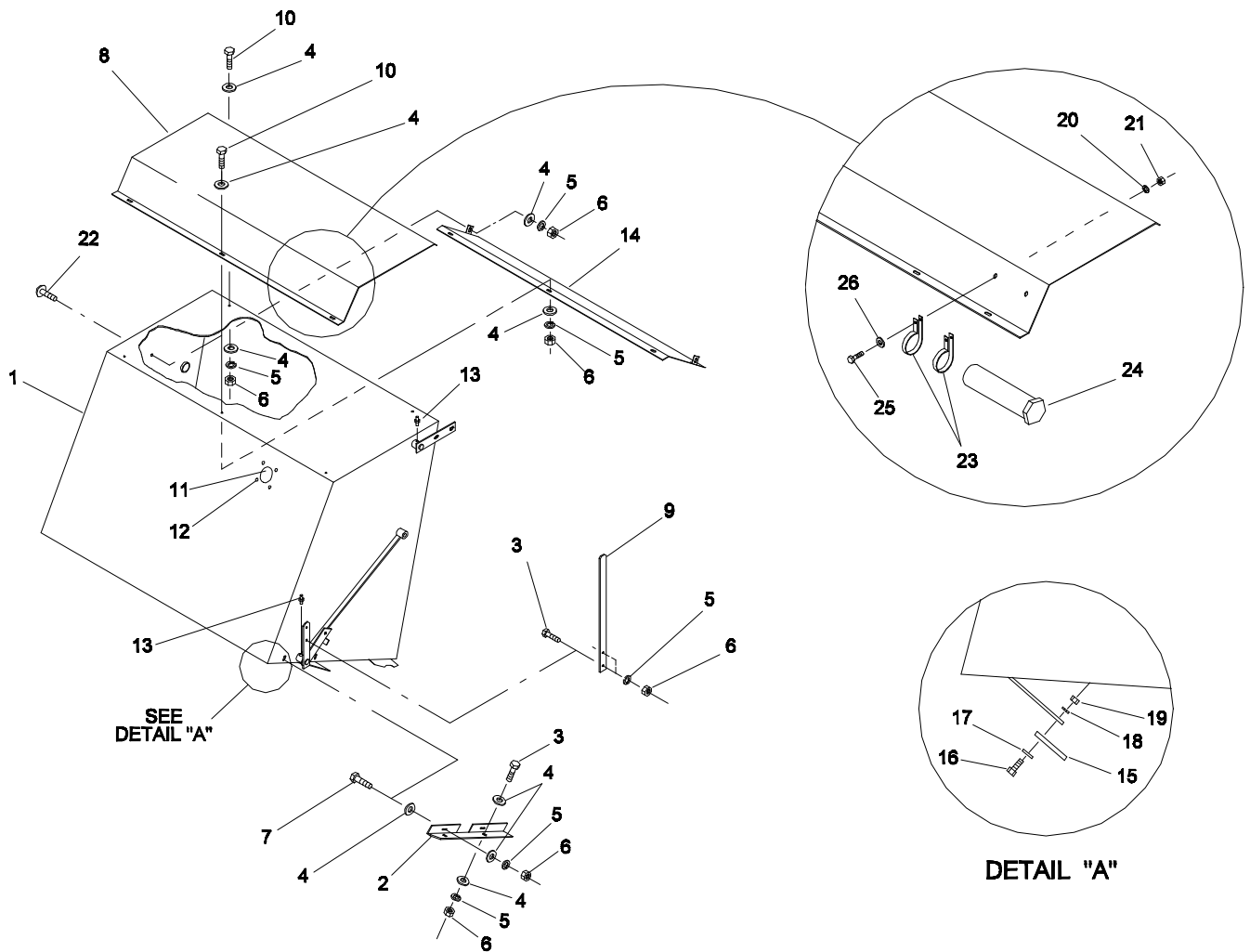
BRAKE SYSTEM

48-017

| Ref. No. | Part No. | Description | No. Used |
|----------|-------------|---------------------------|----------|
| 1 | 48-005-0671 | Brake Pedal | 1 |
| 2 | 323-9 | Capscrew - Hex Hd. | 1 |
| 3 | 3256-4 | Flat Washer | 2 |
| 4 | 01-261-0050 | Spring | 1 |
| 5 | 48-005-0781 | Brake Stop Weldment | 1 |
| 6 | 3217-7 | Hex Nut | 3 |
| 7 | 3218-3 | Jam Nut | 1 |
| 8 | 01-182-0824 | Capscrew - Hex Hd. | 1 |
| 9 | 3217-9 | Hex Nut | 4 |
| 10 | 3218-5 | Jam Nut | 3 |
| 11 | 3256-6 | Flat Washer | 6 |
| 12 | 01-314-0290 | Hydraulic Brake Cylinder | 1 |
| 13 | 322-6 | Capscrew - Hex Hd. | 2 |
| 14 | 3253-4 | Lock Washer | 3 |
| 15 | 3217-6 | Hex Nut | 5 |
| 16 | 322-5 | Capscrew - Hex Hd. | 1 |
| 17 | 01-168-1210 | Machinery Bushing | 3 |
| 18 | 48-004-6241 | Brake Stop Plate | 1 |
| 19 | 323-6 | Capscrew - Hex Hd. | 2 |
| 20 | 3253-5 | Lock Washer | 2 |
| 21 | 54-005-0261 | Brake Mount | 1 |
| 22 | 54-005-0251 | Axle | 1 |
| 23 | 325-6 | Capscrew - Hex Hd. | 2 |
| 24 | 54-005-0282 | Front Wheel | 1 |
| 25 | 01-314-0300 | Hydraulic Brake Assembly | 1 |
| * | 01-266-0080 | Wheel Cylinder Assembly | 1 |
| * | 01-314-0500 | Wheel Cylinder Repair Kit | 1 |

| Ref. No. | Part No. | Description | No. Used |
|----------|-------------|--------------------------|----------|
| * | 01-314-0540 | Capscrew - Socket Hd. | 2 |
| * | 01-314-0430 | Brake Shoe | 2 |
| * | 01-314-0470 | Brake Shoe Lever | 2 |
| * | 01-314-0480 | Brake Shoe Spring | 2 |
| * | 01-314-0460 | Anchor Pin | 2 |
| * | 01-160-0380 | Retaining Ring | 2 |
| * | 01-314-0490 | Adjusting Screw Assembly | 2 |
| * | 01-314-0550 | Shoulder Bolt | 4 |
| 26 | 54-004-1241 | Brake Shoe Bracket | 1 |
| 27 | 3253-6 | Lock Washer | 4 |
| 28 | 3217-8 | Hex Nut | 4 |
| 29 | 01-269-0320 | Front Tire | 1 |
| 30 | 254-78 | Bearing | 2 |
| 31 | 01-405-0460 | Seal | 2 |
| 32 | 01-269-0060 | Axle Spacer | 2 |
| 33 | 01-190-1210 | Castle Nut | 1 |
| 34 | 3272-23 | Cotter Pin | 1 |
| 35 | 01-314-0020 | Hydraulic Brake Hose | 1 |
| 36 | 01-314-0070 | Brake Line Clip | 1 |
| 37 | 01-314-0330 | Hydraulic Brake Line | 1 |
| 38 | 01-314-0360 | Connector | 1 |
| 39 | 01-314-0340 | Bolt | 1 |
| 40 | 01-314-0350 | Gasket | 2 |
| 41 | 3253-7 | Lock Washer | 2 |
| 42 | 48-004-6631 | Break Pedal Stop | 1 |
| 43 | 3230-2 | Carriage Bolt | 1 |

* Not Illustrated



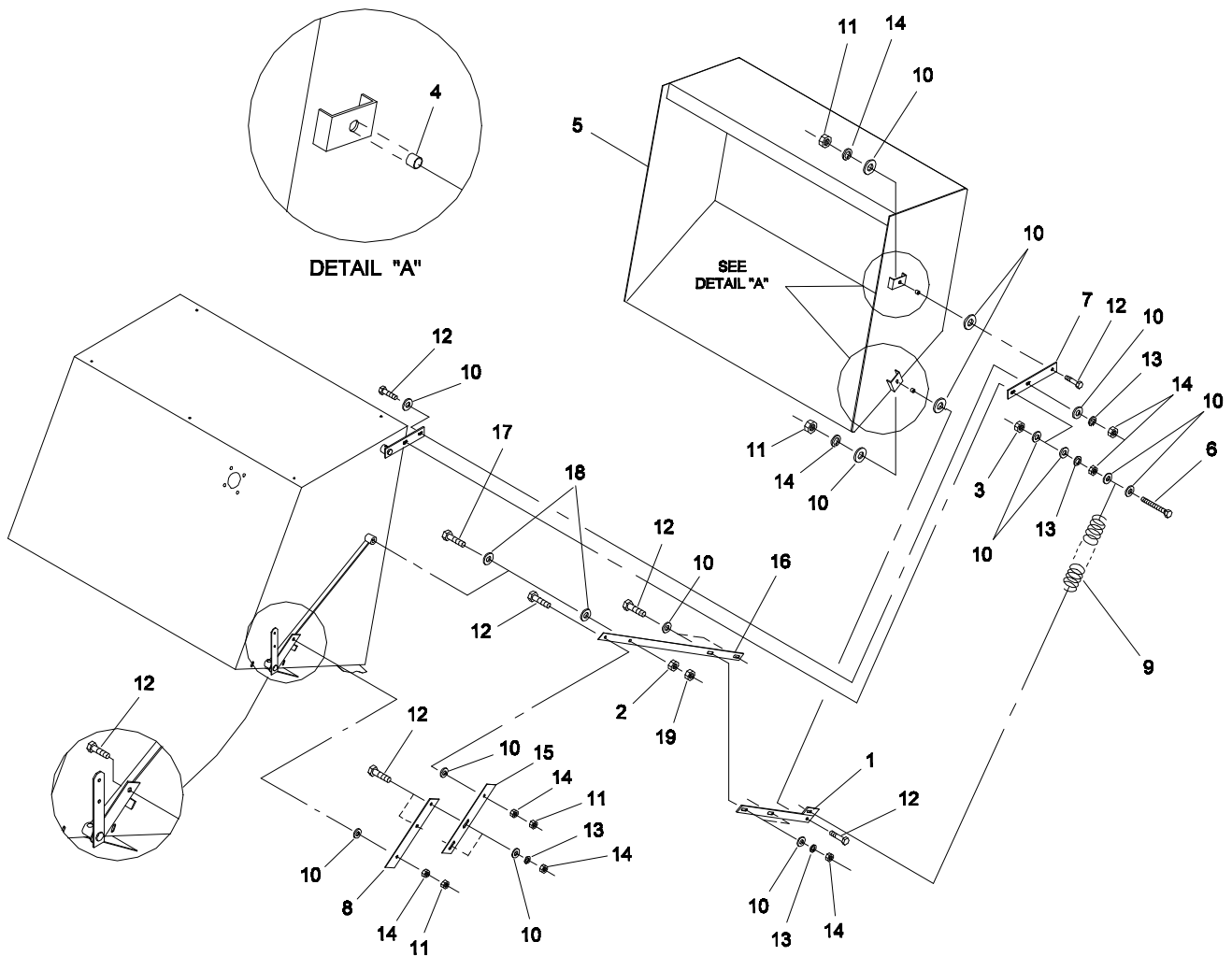
HOPPER ASSEMBLY

48-013

| Ref. No. | Part No. | Description | No. Used |
|----------|-------------|---------------------------|----------|
| 1 | 48-005-0273 | Hopper | 1 |
| 2 | 48-004-1051 | Bed & Hopper Mount-L.H. | 1 |
| * | 48-004-5991 | Bed & Hopper Mount-R.H. | 1 |
| 3 | 323-7 | Capscrew - Hex Hd. | 6 |
| 4 | 3256-4 | Flat Washer | 28 |
| 5 | 3253-5 | Lock Washer | 17 |
| 6 | 3217-7 | Hex Nut | 17 |
| 7 | 323-6 | Capscrew - Hex Hd. | 4 |
| 8 | 48-005-0292 | Dust Shield | 1 |
| 9 | 48-004-5281 | Handle | 1 |
| 10 | 01-184-0610 | Machine Screw - Round Hd. | 5 |
| 11 | 48-004-4641 | Peep Hole Cover | 1 |
| 12 | 01-161-0030 | Pop Rivet | 4 |
| 13 | 01-215-0050 | Grease Fitting | 4 |

| Ref. No. | Part No. | Description | No. Used |
|----------|-------------|--------------------|----------|
| 14 | 48-004-6282 | Wet Leaf Deflector | 1 |
| 15 | 48-004-5451 | Hopper Floor Seal | 1 |
| 16 | 322-3 | Capscrew - Hex Hd. | 8 |
| 17 | 3256-3 | Flat Washer | 8 |
| 18 | 3253-4 | Lock Washer | 8 |
| 19 | 3217-6 | Hex Nut | 8 |
| 20 | 3253-3 | Lock Washer | 2 |
| 21 | 3217-5 | Hex Nut | 2 |
| 22 | 3231-2 | Carriage Bolt | 2 |
| 23 | 2412-133 | R-Clamp | 2 |
| 24 | 74-0720 | Manual Tube | 1 |
| 25 | 321-4 | Capscrew - Hex Hd. | 2 |
| 26 | 3256-2 | Flat Washer | 2 |

* Not Illustrated

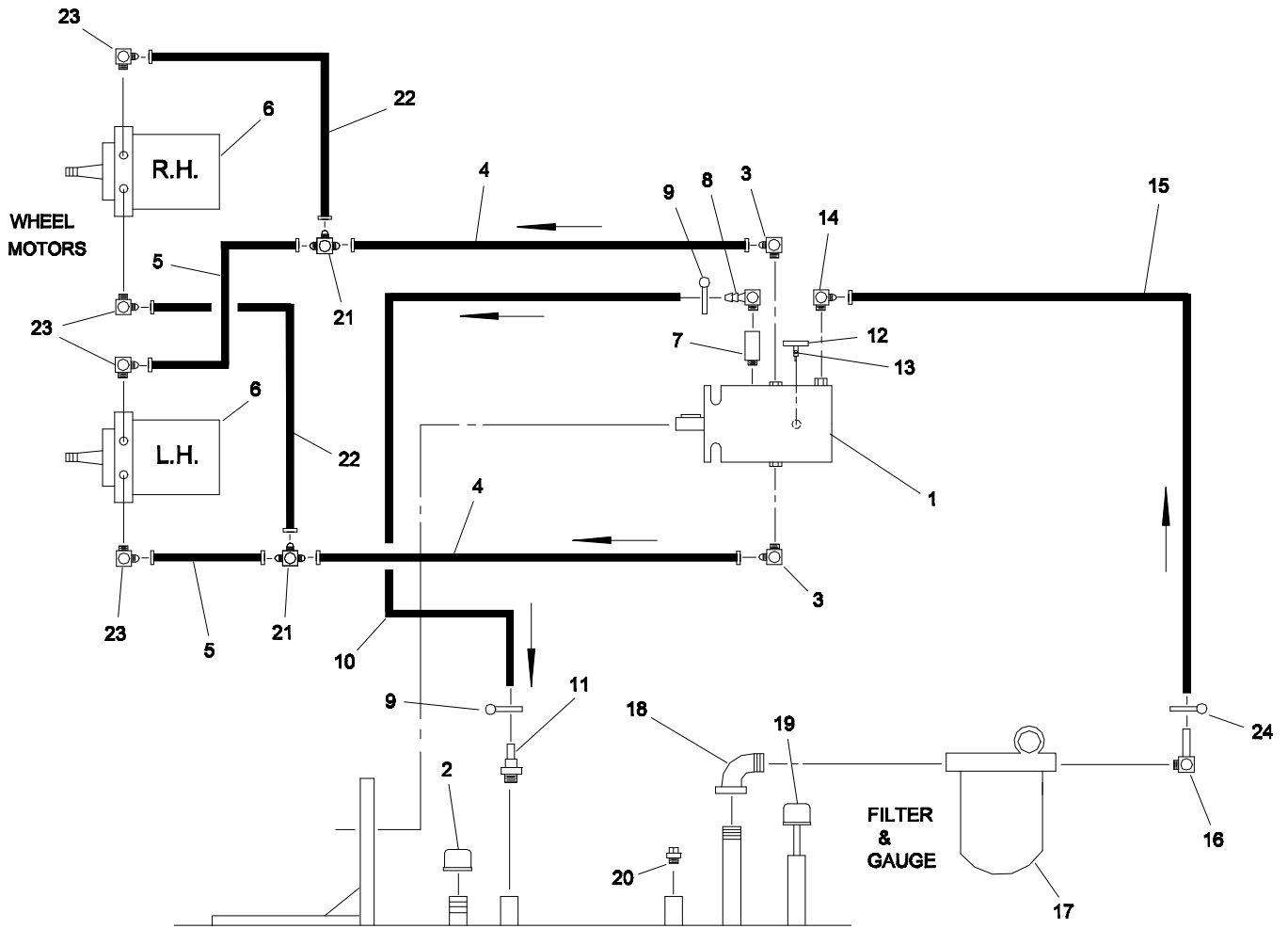


HOPPER DOOR ASSEMBLY

48-019

| Ref. No. | Part No. | Description | No. Used |
|----------|-------------|--------------------------------------|----------|
| 1 | 48-005-0111 | Hopper Door Linkage | 2 |
| 2 | 3217-11 | Hex Nut | 2 |
| 3 | 01-189-0813 | Lock Nut | 2 |
| 4 | 48-004-6101 | Hopper Box Spacer | 4 |
| 5 | 48-005-0282 | Hopper Door | 1 |
| 6 | 01-182-0824 | Capscrew - Hex Hd. | 2 |
| 7 | 48-004-1621 | Linkage, Upper Hopper Door | 2 |
| 8 | 48-004-1131 | Linkage, Hopper Door/ Over Center | 2 |
| 9 | 48-004-1901 | Spring, Hopper Door | 2 |
| 10 | 3256-6 | Flat Washer | 36 |

| Ref. No. | Part No. | Description | No. Used |
|----------|-------------|--------------------------------------|----------|
| 11 | 3218-5 | Jam Nut | 8 |
| 12 | 325-7 | Capscrew - Hex Hd. | 18 |
| 13 | 3253-7 | Lock Washer | 12 |
| 14 | 3217-9 | Hex Nut | 20 |
| 15 | 48-004-1141 | Linkage, Hopper Door/ Over Center | 2 |
| 16 | 48-004-1151 | Linkage, Lower Hopper Door | 2 |
| 17 | 327-14 | Capscrew - Hex Hd. | 2 |
| 18 | 3256-7 | Flat Washer | 4 |
| 19 | 3218-6 | Jam Nut | 2 |



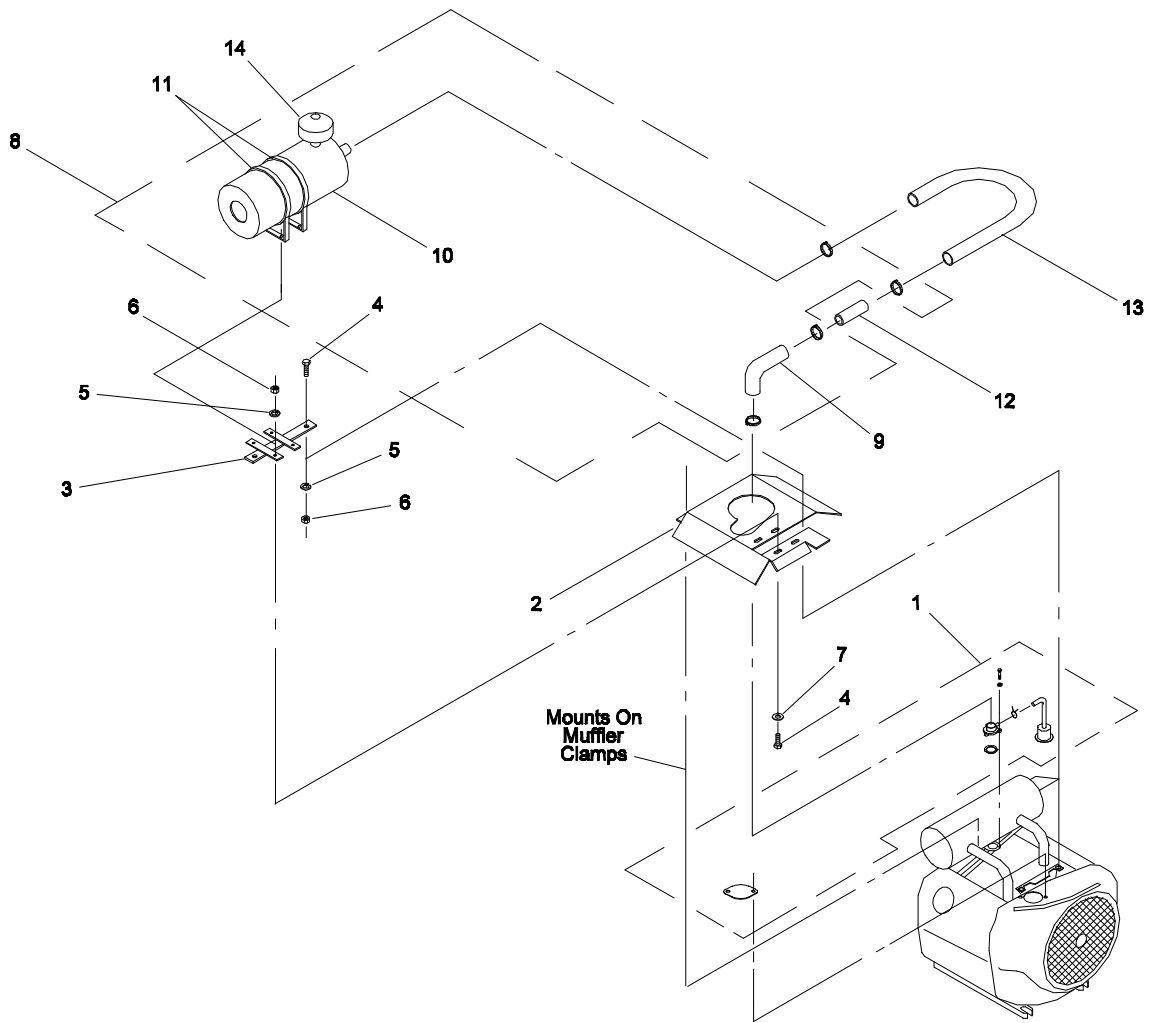
RESERVOIR HYDRAULIC SCHEMATIC - 4800

48-021

| Ref. No. | Part No. | Description | No. Used |
|----------|-------------|------------------------|----------|
| 1 | 01-305-0090 | Cessna Pump | 1 |
| * | 92-4650 | Seal Kit | 1 |
| 2 | 01-451-0060 | Pipe Cap | 1 |
| 3 | 01-201-0440 | Fitting | 2 |
| 4 | 01-312-1260 | Hose Assembly | 2 |
| 5 | 01-312-1420 | Hose Assembly | 2 |
| 6 | 01-304-0410 | Hyd. Motor | 2 |
| * | 01-304-0260 | Seal Kit | 1 |
| 7 | 01-201-0490 | Fitting | 1 |
| 8 | 01-217-0050 | Hose Barb | 1 |
| 9 | 01-202-0030 | Hose Clamp | 2 |
| 10 | 48-004-4921 | Hose Assembly | 1 |
| 11 | 01-217-0060 | Fitting, cessna return | 1 |
| 12 | 48-005-0641 | Tow Valve Handle | 1 |
| 13 | 01-163-0100 | Set Screw | 1 |

| Ref. No. | Part No. | Description | No. Used |
|----------|-------------|-------------------------|----------|
| 14 | 01-201-1880 | Fitting | 1 |
| 15 | 01-312-1710 | Hose Assembly | 1 |
| 16 | 01-201-1890 | Fitting | 1 |
| 17 | 01-316-0020 | Filter Assembly | 1 |
| * | 01-315-0010 | Filter Head | 1 |
| * | 01-317-0240 | Filter Element | 1 |
| * | 01-303-0010 | Filter Gauge | 1 |
| 18 | 01-455-0020 | Fitting | 1 |
| 19 | 48-002-0101 | Breather Cap w/dipstick | 1 |
| 20 | 01-451-0010 | Pipe Plug | 1 |
| 21 | 01-201-1530 | Fitting | 2 |
| 22 | 01-312-1430 | Hose Assembly | 2 |
| 23 | 01-201-1580 | Fitting | 4 |
| 24 | 01-202-0050 | Hose Clamp | 1 |

* Not Illustrated



DONALDSON AIR CLEANER - MODEL NO. 44062

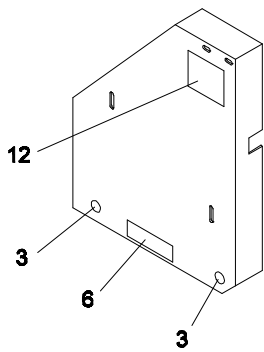
48-020

| Ref. No. | Part No. | Description | No. Used |
|----------|-------------|--------------------|----------|
| 1 | 01-289-0330 | Adaptor Kit | 1 |
| 2 | 48-004-6302 | Air Cleaner Base | 1 |
| 3 | 48-005-0791 | Air Cleaner Mount | 1 |
| 4 | 322-5 | Capscrew - Hex Hd. | 6 |
| 5 | 3253-4 | Lock Washer | 6 |
| 6 | 3217-6 | Hex Nut | 6 |
| 7 | 3256-3 | Flat Washer | 4 |
| 8 | 01-289-0280 | Air Cleaner Kit | 1 |

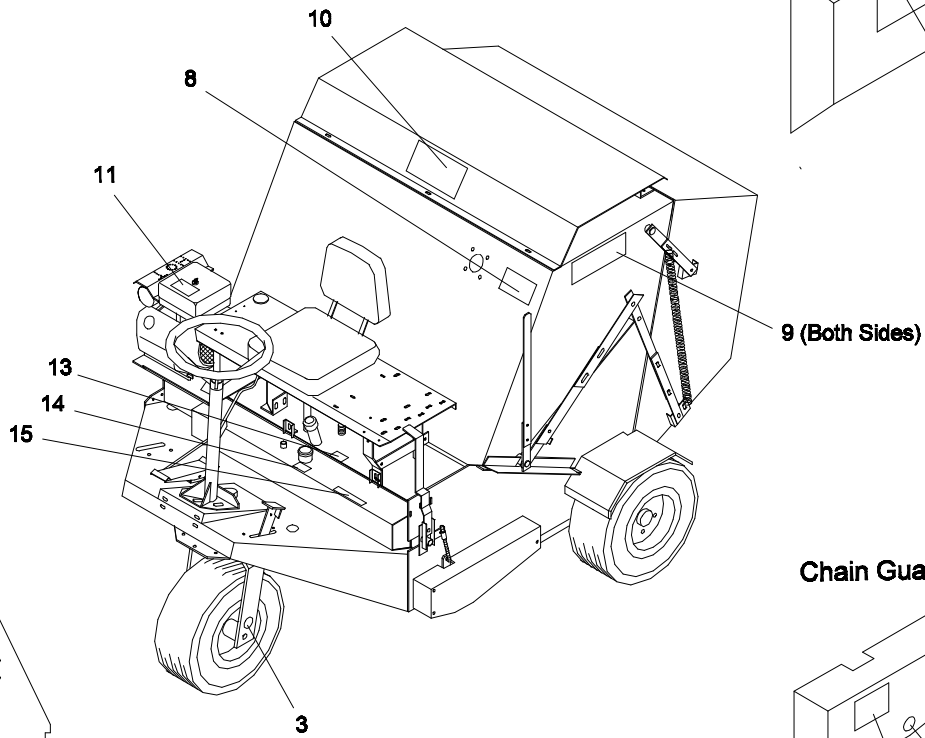
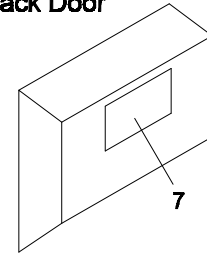
| Ref. No. | Part No. | Description | No. Used |
|----------|-------------|----------------------------------|----------|
| * | 01-289-0470 | Filter Element (Incl. w/Ref. #8) | 1 |
| 9 | 01-289-0300 | Air Cleaner-Elbow | 1 |
| 10 | 01-289-0310 | Air Cleaner (Incl. Ref. #11) | 1 |
| 11 | 01-289-0320 | Bands | 1 |
| 12 | 93-004-0511 | Spacer | 1 |
| 13 | 54-004-1701 | Hose | 1 |
| 14 | 01-289-0290 | Pre-cleaner | 1 |

* Not Illustrated

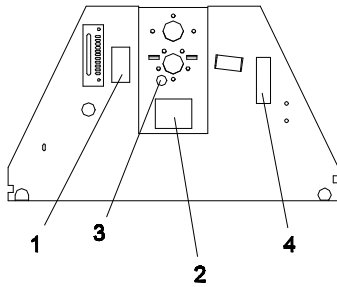
Belt Guard



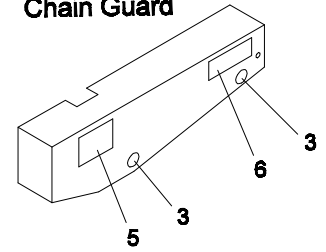
Back Door



Floorboard



Chain Guard



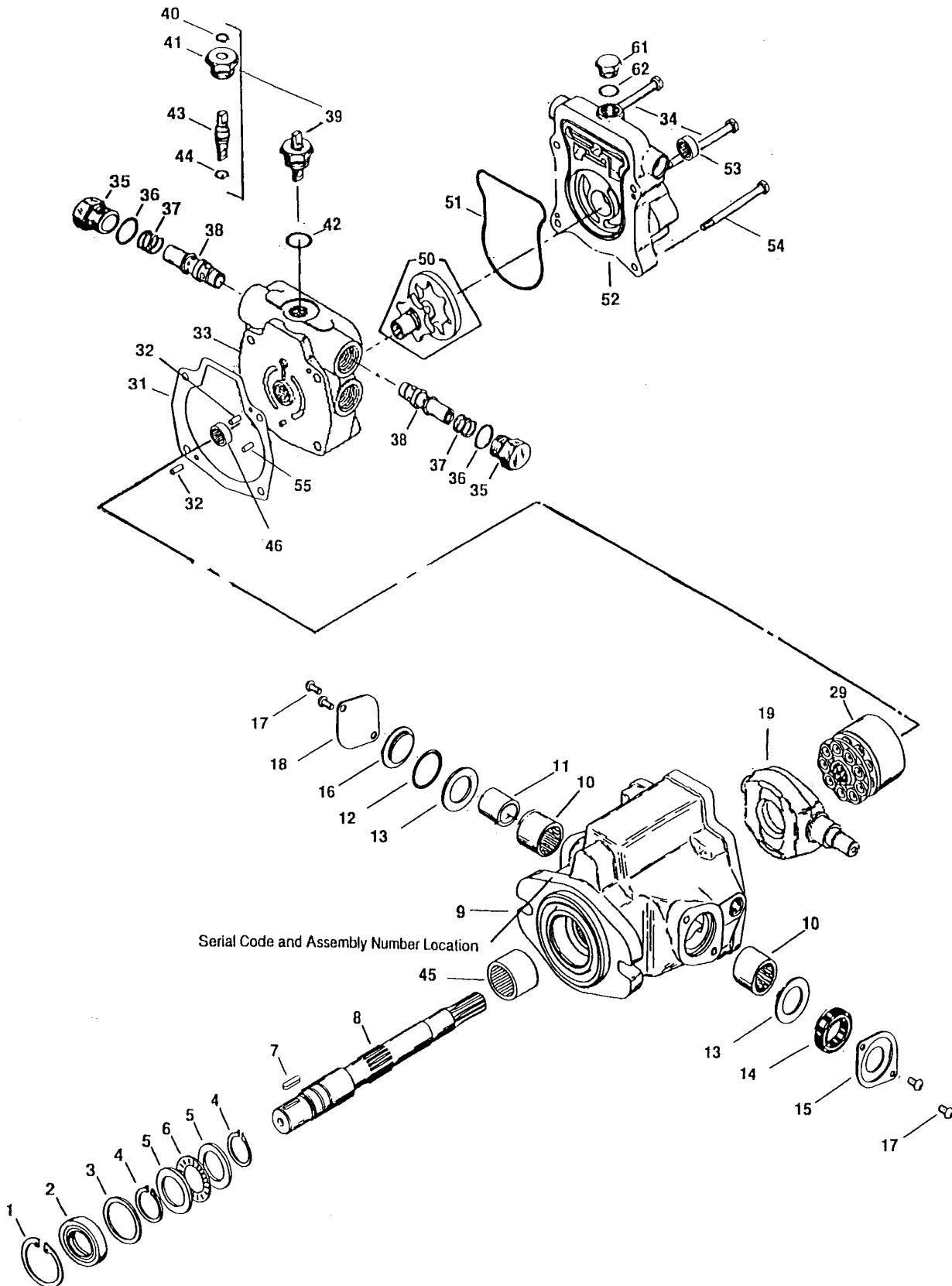
DECALS

48DECL

| Ref. No. | Part No. | Description | No. Used |
|----------|-------------|------------------------|----------|
| 1 | 01-506-0980 | Decal - Parking Brake | 1 |
| 2 | 01-506-0090 | Decal - Danger | 1 |
| 3 | 58-6520 | Decal - Grease | 6 |
| 4 | 01-506-0570 | Decal - Traction Pedal | 1 |
| 5 | 01-506-0050 | Decal - Danger | 1 |
| 6 | 01-506-0080 | Decal - Danger | 2 |
| 7 | 67-7920 | Decal - Toro | 1 |
| 8 | 01-506-0070 | Decal - Danger | 1 |

| Ref. No. | Part No. | Description | No. Used |
|----------|-------------|---------------------------|----------|
| 9 | 01-506-0650 | Decal - Turf Sweeper 4800 | 2 |
| 10 | 66-6140 | Decal - Toro | 1 |
| 11 | 01-506-0030 | Decal - Danger | 1 |
| 12 | 01-506-0040 | Decal - Danger | 1 |
| 13 | 52-9640 | Decal - Hydraulic Oil | 1 |
| 14 | 71-3730 | Decal - Gas Only | 1 |
| 15 | 75-5190 | Decal - No Riders | 1 |

CESSNA PUMP - NO. 01-305-0090



CESSNA PUMP - NO. 01-305-0090

| Ref. No. | Part No. | Description | No. Used |
|----------|-------------|-----------------------|----------|
| 1 | | Retaining Ring | 1 |
| 2 | 01-405-0400 | Shaft Seal - Drive | 1 |
| 3 | 92-4626 | Washer | 1 |
| 4 | | Retaining Ring | 2 |
| 5 | 92-4629 | Bearing Race | 2 |
| 6 | 01-105-0490 | Thrust Bearing | 1 |
| 7 | 92-4641 | Key - Drive Shaft | 1 |
| 8 | 01-305-0120 | Drive Shaft | 1 |
| 9 | 92-4623 | Housing Assembly | 1 |
| 10 | 01-105-0460 | Needle Bearing | 2 |
| 11 | 01-105-0500 | Inner Race | 1 |
| 12 | | O-Ring | 1 |
| 13 | 92-4631 | Washer | 2 |
| 14 | | Shaft Seal - Trunnion | 1 |
| 15 | 92-4636 | Seal Cover | 1 |
| 16 | 92-4638 | Cover - O-Ring | 1 |
| 17 | 92-4633 | Screw - Pan Head | 4 |
| 18 | 92-4637 | Trunnion Cover | 1 |
| 19 | 92-4625 | Camplate | 1 |
| 20 | | | |
| 21 | | | |
| 22 | | | |
| 23 | | | |
| 24 | | | |
| 25 | | | |
| 26 | | | |
| 27 | | | |
| 28 | | | |
| 29 | 92-4624 | Rotating Kit Assembly | 1 |
| 30 | | | |
| 31 | 01-401-0010 | Housing Gasket | 1 |
| 32 | 01-153-0200 | Dowel Pin | 2 |
| 33 | 92-4622 | Back Plate Assembly | 1 |
| 34 | 92-4640 | Capscrew | 2 |
| 35 | 92-4634 | Plug Assembly | 2 |

| Ref. No. | Part No. | Description | No. Used |
|----------|-------------|--|----------|
| 36 | | O-Ring | 2 |
| 37 | 01-305-1520 | Spring | 2 |
| 38 | 01-305-1530 | Relief Valve | 2 |
| 39 | 01-308-0180 | Dump Valve Assembly | 1 |
| 40 | | Retaining Ring | 1 |
| 41 | | Separator Plug | 1 |
| 42 | | O-Ring | 1 |
| 43 | 01-318-0090 | Separator | 1 |
| 44 | | O-Ring | 1 |
| 45 | 01-105-0320 | Bearing | 1 |
| 46 | 01-105-0470 | Bearing | 1 |
| 47 | | | |
| 48 | | | |
| 49 | | | |
| 50 | 01-254-0060 | Gerator & Coupler Assembly | 1 |
| 51 | | Molded O-Ring | 1 |
| 52 | 92-4646 | Charge Pump Adaptor | 1 |
| 53 | 01-105-0480 | Bearing | 1 |
| 54 | 92-4639 | Capscrew | 2 |
| 55 | 92-4649 | Roll Pin | 1 |
| 56 | | | |
| 57 | | | |
| 58 | | | |
| 59 | | | |
| 60 | | | |
| 61 | 92-4643 | Plug Assembly | 1 |
| 62 | | O-Ring | 1 |
| * | 01-305-1500 | Relief Valve Ass'y (Incl. Ref. #35,37,38) | 2 |
| * | 92-4650 | Seal Kit (Incl. Ref. #1,2,4,12,14,31, 36,40,42,44,51,62) | 1 |

* Not Illustrated

PART NUMBER INDEX

| Part No. | Description | Pg. No. | Ref. No. | Qty. | Part No. | Description | Pg. No. | Ref. No. | Qty. |
|-------------|---------------------------|---------|----------|------|-------------|----------------------------|---------|----------|------|
| 01-102-0050 | Bearing | 15 | 15 | 1 | 01-202-0030 | Hose Clamp | 19 | 9 | 2 |
| 01-102-0070 | Bearing | 15 | 20 | 1 | 01-202-0030 | Hose Clamp | 5 | 5 | 2 |
| 01-105-0320 | Bearing | 23 | 45 | 1 | 01-202-0050 | Hose Clamp | 19 | 24 | 1 |
| 01-105-0460 | Needle Bearing | 23 | 10 | 2 | 01-202-0190 | Cable Clamp | 4 | 31 | 1 |
| 01-105-0470 | Bearing | 23 | 46 | 1 | 01-215-0050 | Grease Fitting | 15 | 29 | 1 |
| 01-105-0480 | Bearing | 23 | 53 | 1 | 01-215-0050 | Grease Fitting | 17 | 13 | 4 |
| 01-105-0490 | Thrust Bearing | 23 | 6 | 1 | 01-217-0050 | Hose Barb | 19 | 8 | 1 |
| 01-105-0500 | Inner Race | 23 | 11 | 1 | 01-217-0060 | Fitting | 19 | 11 | 1 |
| 01-105-0520 | Needle Bearing | 7 | 26 | 2 | 01-217-0060 | Hose Barb | 5 | 4 | 1 |
| 01-105-0520 | Needle Bearing | 8 | 16 | 2 | 01-250-0020 | Rod End Bearing | 6 | 7 | 1 |
| 01-113-0010 | Bearing | 11 | 9 | 1 | 01-250-0020 | Rod End Bearing | 8 | 8 | 1 |
| 01-113-0010 | Bearing | 7 | 15 | 1 | 01-251-0020 | Offset Link | 7 | * | 1 |
| 01-113-0020 | Bearing | 11 | 4 | 1 | 01-254-0060 | Gerator & Coupler Assembly | 23 | 50 | 1 |
| 01-113-0020 | Bearing | 7 | 5 | 1 | 01-256-0020 | Throttle Handle | 3 | * | 1 |
| 01-126-0110 | Bushing, Oilite | 15 | 5 | 2 | 01-260-0010 | Sheave | 11 | 14 | 1 |
| 01-127-0070 | Plastic Plug | 1 | * | 1 | 01-260-0110 | Sheave | 11 | 17 | 1 |
| 01-151-0170 | Cotter Pin | 1 | 21 | 2 | 01-260-0280 | Bushing | 11 | * | 1 |
| 01-153-0200 | Dowel Pin | 23 | 32 | 2 | 01-260-0290 | Bushing | 11 | 15 | 1 |
| 01-158-0150 | Capscrew - Socket Hd. | 3 | 23 | 10 | 01-260-0780 | Bushing | 11 | 18 | 1 |
| 01-158-0150 | Capscrew - Socket Hd. | 4 | 23 | 8 | 01-260-0900 | "H" Bushing | 3 | 24 | 1 |
| 01-158-0270 | Shoulder Bolt | 6 | 2 | 2 | 01-260-0900 | "H" Bushing | 4 | 24 | 1 |
| 01-158-2040 | Lug Bolt | 1 | 24 | 10 | 01-261-0050 | Spring | 16 | 4 | 1 |
| 01-160-0380 | Retaining Ring | 16 | * | 2 | 01-261-0240 | Spring | 1 | 4 | 4 |
| 01-160-0410 | Retaining Ring | 15 | 4 | 1 | 01-261-0240 | Spring | 9 | 18 | 1 |
| 01-161-0030 | Pop Rivet | 17 | 12 | 4 | 01-261-0300 | Spring | 12 | 15 | 1 |
| 01-163-0100 | Set Screw | 19 | 13 | 1 | 01-261-0300 | Spring | 8 | 12 | 1 |
| 01-163-0100 | Set Screw | 3 | * | 1 | 01-261-0330 | Spring | 6 | 12 | 1 |
| 01-163-0100 | Set Screw | 4 | * | 1 | 01-261-0340 | Spring | 10 | 16 | 1 |
| 01-168-1014 | Machinery Bushing | 12 | 2 | 5 | 01-261-0930 | Spring | 6 | 13 | 1 |
| 01-168-1210 | Machinery Bushing | 16 | 17 | 3 | 01-262-0040 | Sprocket | 7 | 11 | 1 |
| 01-168-1410 | Machinery Bushing | 7 | 23 | 6 | 01-262-0050 | Sprocket | 7 | 22 | 1 |
| 01-168-1410 | Machinery Bushing | 8 | 13 | 11 | 01-262-0610 | Sprocket | 7 | 25 | 1 |
| 01-168-1414 | Machinery Bushing | 7 | 24 | 4 | 01-262-0610 | Sprocket | 8 | 15 | 1 |
| 01-168-1414 | Machinery Bushing | 8 | 14 | 5 | 01-264-0010 | Belt | 11 | 20 | 1 |
| 01-168-1610 | Machinery Bushing | 7 | 20 | 3 | 01-265-0180 | Flex Coupling | 3 | 21 | 1 |
| 01-168-1614 | Machinery Bushing | 7 | 21 | 6 | 01-265-0180 | Flex Coupling | 4 | 21 | 1 |
| 01-168-2010 | Machinery Bushing | 7 | 13 | 2 | 01-266-0080 | Wheel Cylinder Assembly | 16 | * | 1 |
| 01-168-2010 | Machinery Bushing | 15 | 30 | 2 | 01-268-0010 | Pulley | 12 | 7 | 1 |
| 01-168-2014 | Machinery Bushing | 7 | 10 | 3 | 01-269-0060 | Axle Spacer | 16 | 32 | 2 |
| 01-169-0010 | Lock Washer | 3 | 22 | 10 | 01-269-0140 | Steering Hub | 15 | 17 | 1 |
| 01-169-0010 | Lock Washer | 4 | 22 | 8 | 01-269-0300 | Lug Nut | 15 | 18 | 5 |
| 01-170-0160 | Clamp | 4 | 5 | 1 | 01-269-0320 | Front Tire | 16 | 29 | 1 |
| 01-182-0616 | Capscrew - Hex Hd. | 1 | 7 | 4 | 01-269-0330 | Tire | 1 | 23 | 2 |
| 01-182-0620 | Capscrew - Hex Hd. | 15 | 25 | 2 | 01-269-1020 | Wheel | 1 | 26 | 2 |
| 01-182-0824 | Capscrew - Hex Hd. | 16 | 8 | 1 | 01-269-2540 | Wheel Hub | 1 | 20 | 2 |
| 01-182-0824 | Capscrew - Hex Hd. | 18 | 6 | 2 | 01-270-1370 | Engine | 4 | 1 | 1 |
| 01-182-0832 | Capscrew - Hex Hd. | 12 | 16 | 1 | 01-270-1640 | Engine | 3 | 1 | 1 |
| 01-184-0610 | Machine Screw - Round Hd. | 17 | 10 | 5 | 01-273-0240 | Muffler Kit | 4 | 2 | 1 |
| 01-189-0518 | Lock Nut | 6 | 4 | 2 | 01-273-0250 | Muffler Tube Kit | 4 | 17 | 1 |
| 01-189-0813 | Lock Nut | 9 | 13 | 2 | 01-273-0310 | Exhaust Extension | 4 | 4 | 1 |
| 01-189-0813 | Lock Nut | 10 | 13 | 2 | 01-279-0010 | Rubber Fingers | 7 | 3 | 116 |
| 01-189-0813 | Lock Nut | 18 | 3 | 2 | 01-280-0020 | Gas Cap | 5 | 2 | 1 |
| 01-190-1210 | Castle Nut | 16 | 33 | 1 | 01-280-0190 | Tank Withdrawal Assembly | 5 | 3 | 1 |
| 01-190-1216 | Castle Nut | 15 | 22 | 1 | 01-286-0030 | Cover Plate | 15 | 8 | 1 |
| 01-190-1620 | Castle Nut | 1 | 22 | 2 | 01-286-0040 | Grease Cap | 15 | 24 | 1 |
| 01-190-1620 | Castle Nut | 2 | 22 | 1 | 01-286-0130 | Steering Wheel | 15 | 1 | 1 |
| 01-201-0440 | Fitting | 19 | 3 | 2 | 01-286-0220 | Seat | 1 | 6 | 1 |
| 01-201-0490 | Fitting | 19 | 7 | 1 | 01-288-0020 | Hour Meter | 1 | 25 | 1 |
| 01-201-1530 | Fitting | 19 | 21 | 2 | 01-289-0280 | Air Cleaner Kit | 20 | 8 | 1 |
| 01-201-1580 | Fitting | 19 | 23 | 4 | 01-289-0290 | Pre-cleaner | 20 | 14 | 1 |
| 01-201-1880 | Fitting | 19 | 14 | 1 | 01-289-0300 | Air Cleaner-Elbow | 20 | 9 | 1 |
| 01-201-1890 | Fitting | 19 | 16 | 1 | 01-289-0310 | Air Cleaner | 20 | 10 | 1 |

* Not Illustrated

PART NUMBER INDEX (Continued)

| Part No. | Description | Pg. No. | Ref. No. | Qty. | Part No. | Description | Pg. No. | Ref. No. | Qty. |
|-------------|---------------------------|---------|----------|------|-------------|---------------------------|---------|----------|------|
| 01-289-0320 | Bands | 20 | 11 | 1 | 01-453-0130 | Pipe Coupling | 4 | 7 | 1 |
| 01-289-0330 | Adaptor Kit | 20 | 1 | 1 | 01-455-0020 | Fitting | 19 | 18 | 1 |
| 01-289-0470 | Filter Element | 20 | * | 1 | 01-455-0030 | Pipe Elbow | 3 | 3 | 2 |
| 01-303-0010 | Filter Gauge | 19 | * | 1 | 01-455-0100 | Elbow | 1 | 12 | 1 |
| 01-304-0260 | Seal Kit | 1 | * | 1 | 01-456-0050 | Pipe Nipple | 3 | 2 | 1 |
| 01-304-0260 | Seal Kit | 19 | * | 1 | 01-456-0050 | Pipe Nipple | 4 | 6 | 1 |
| 01-304-0260 | Seal Kit | 2 | * | 1 | 01-456-0070 | Pipe Nipple | 3 | 4 | 1 |
| 01-304-0410 | Hydraulic Motor | 1 | 14 | 2 | 01-506-0030 | Decal - Danger | 21 | 11 | 1 |
| 01-304-0410 | Hydraulic Motor | 19 | 6 | 2 | 01-506-0040 | Decal - Danger | 21 | 12 | 1 |
| 01-304-0490 | Shaft | 2 | 26 | 1 | 01-506-0050 | Decal - Danger | 21 | 5 | 1 |
| 01-304-0660 | Thrust Bearing | 2 | 12 | 2 | 01-506-0070 | Decal - Danger | 21 | 8 | 1 |
| 01-304-0840 | Housing Kit | 2 | * | 1 | 01-506-0080 | Decal - Danger | 21 | 6 | 2 |
| 01-304-0850 | Drive Link | 2 | 23 | 1 | 01-506-0090 | Decal - Danger | 21 | 2 | 1 |
| 01-304-0860 | Rotor Set | 2 | 24 | 1 | 01-506-0650 | Decal - Turf Sweeper 4800 | 21 | 9 | 2 |
| 01-304-0870 | Bolt Set | 2 | 25 | 1 | 01-506-0570 | Decal - Traction Pedal | 21 | 4 | 1 |
| 01-304-0880 | Shaft Key | 2 | 27 | 1 | 01-506-0980 | Decal - Parking Brake | 21 | 1 | 1 |
| 01-304-1550 | Manifold Boot | 2 | 14 | 1 | 01-600-0050 | Battery Cable | 3 | * | 1 |
| 01-304-1560 | Manifold (CCW) | 2 | 13 | 1 | 01-600-0050 | Battery Cable | 4 | * | 1 |
| 01-304-1570 | Balance Plate Kit | 2 | * | 1 | 01-600-0060 | Battery Cable | 3 | * | 1 |
| 01-304-1580 | Endcover | 2 | 17 | 1 | 01-600-0190 | Battery Cable | 4 | * | 1 |
| 01-305-0090 | Cessna Pump | 19 | 1 | 1 | 01-650-0140 | All Thread | 13 | * | 2 |
| 01-305-0090 | Cessna Pump | 3 | 27 | 1 | 01-650-0160 | All Thread | 13 | 2 | 2 |
| 01-305-0090 | Cessna Pump | 4 | 27 | 1 | 01-650-0280 | All Thread | 14 | 4 | 1 |
| 01-305-0120 | Drive Shaft | 23 | 8 | 1 | 01-650-0420 | All Thread | 14 | 2 | 2 |
| 01-305-1500 | Relief Valve Assembly | 23 | * | 2 | 02-250-0020 | Rod End Bearing | 8 | 6 | 1 |
| 01-305-1510 | Plug Assembly | 23 | 35 | 2 | 2412-133 | R-Clamp | 17 | 23 | 2 |
| 01-305-1520 | Spring | 23 | 37 | 2 | 254-78 | Bearing | 16 | 30 | 2 |
| 01-305-1530 | Relief Valve | 23 | 38 | 2 | 321-4 | Capscrew - Hex Hd. | 17 | 25 | 2 |
| 01-308-0180 | Dump Valve Assembly | 23 | 39 | 1 | 321-6 | Capscrew - Hex Hd. | 3 | 14 | 5 |
| 01-312-1260 | Hose Assembly | 19 | 4 | 2 | 321-6 | Capscrew - Hex Hd. | 4 | 14 | 2 |
| 01-312-1420 | Hose Assembly | 19 | 5 | 2 | 32121-12 | Roll Pin | 6 | 14 | 1 |
| 01-312-1430 | Hose Assembly | 19 | 22 | 2 | 3217-11 | Hex Nut | 9 | 15 | 3 |
| 01-312-1710 | Hose Assembly | 19 | 15 | 1 | 3217-11 | Hex Nut | 12 | 9 | 1 |
| 01-314-0020 | Hydraulic Brake Hose | 16 | 35 | 1 | 3217-11 | Hex Nut | 18 | 2 | 2 |
| 01-314-0070 | Brake Line Clip | 16 | 36 | 1 | 3217-24 | Hex Nut | 10 | 14 | 3 |
| 01-314-0290 | Hydraulic Brake Cylinder | 16 | 12 | 1 | 3217-26 | Hex Nut | 3 | 32 | 2 |
| 01-314-0300 | Hydraulic Brake Assembly | 16 | 25 | 1 | 3217-5 | Hex Nut | 17 | 21 | 2 |
| 01-314-0330 | Hydraulic Brake Line | 16 | 37 | 1 | 3217-5 | Hex Nut | 3 | 17 | 5 |
| 01-314-0340 | Bolt | 16 | 39 | 1 | 3217-6 | Hex Nut | 16 | 15 | 5 |
| 01-314-0350 | Gasket | 16 | 40 | 2 | 3217-6 | Hex Nut | 17 | 19 | 8 |
| 01-314-0360 | Connector | 16 | 38 | 1 | 3217-6 | Hex Nut | 20 | 6 | 6 |
| 01-314-0430 | Brake Shoe | 16 | * | 2 | 3217-6 | Hex Nut | 3 | 5 | 4 |
| 01-314-0460 | Anchor Pin | 16 | * | 2 | 3217-7 | Hex Nut | 1 | 11 | 13 |
| 01-314-0470 | Brake Shoe Lever | 16 | * | 2 | 3217-7 | Hex Nut | 9 | 10 | 2 |
| 01-314-0480 | Brake Shoe Spring | 16 | * | 2 | 3217-7 | Hex Nut | 10 | 10 | 2 |
| 01-314-0490 | Adjusting Screw Assembly | 16 | * | 2 | 3217-7 | Hex Nut | 11 | 13 | 2 |
| 01-314-0500 | Wheel Cylinder Repair Kit | 16 | * | 1 | 3217-7 | Hex Nut | 12 | 12 | 4 |
| 01-314-0540 | Capscrew - Socket Hd. | 16 | * | 2 | 3217-7 | Hex Nut | 13 | 4 | 14 |
| 01-314-0550 | Shoulder Bolt | 16 | * | 4 | 3217-7 | Hex Nut | 15 | 26 | 7 |
| 01-315-0010 | Filter Head | 19 | * | 1 | 3217-7 | Hex Nut | 16 | 6 | 3 |
| 01-316-0020 | Filter Assembly | 19 | 17 | 1 | 3217-7 | Hex Nut | 17 | 6 | 17 |
| 01-317-0240 | Filter Element | 19 | * | 1 | 3217-7 | Hex Nut | 3 | 12 | 2 |
| 01-318-0090 | Separator | 23 | 43 | 1 | 3217-7 | Hex Nut | 4 | 12 | 6 |
| 01-401-0010 | Housing Gasket | 23 | 31 | 1 | 3217-7 | Hex Nut | 5 | 11 | 6 |
| 01-405-0370 | Seal | 15 | 14 | 1 | 3217-7 | Hex Nut | 6 | 6 | 4 |
| 01-405-0400 | Shaft Seal - Drive | 23 | 2 | 1 | 3217-7 | Hex Nut | 7 | 19 | 1 |
| 01-405-0460 | Seal | 16 | 31 | 2 | 3217-7 | Hex Nut | 8 | 9 | 5 |
| 01-451-0010 | Pipe Plug | 1 | 13 | 1 | 3217-8 | Hex Nut | 14 | 5 | 10 |
| 01-451-0010 | Pipe Plug | 19 | 20 | 1 | 3217-8 | Hex Nut | 16 | 28 | 4 |
| 01-451-0020 | Pipe Plug | 3 | 6 | 1 | 3217-9 | Hex Nut | 1 | 17 | 8 |
| 01-451-0020 | Pipe Plug | 4 | 8 | 1 | 3217-9 | Hex Nut | 11 | 8 | 2 |
| 01-451-0060 | Pipe Cap | 19 | 2 | 1 | 3217-9 | Hex Nut | 12 | 17 | 3 |

* Not Illustrated

PART NUMBER INDEX (Continued)

| Part No. | Description | Pg. No. | Ref. No. | Qty. | Part No. | Description | Pg. No. | Ref. No. | Qty. |
|----------|--------------------|---------|----------|------|----------|-------------------|---------|----------|------|
| 3217-9 | Hex Nut | 15 | 12 | 3 | 3253-5 | Lock Washer | 10 | 9 | 2 |
| 3217-9 | Hex Nut | 16 | 9 | 4 | 3253-5 | Lock Washer | 11 | 12 | 2 |
| 3217-9 | Hex Nut | 18 | 14 | 20 | 3253-5 | Lock Washer | 15 | 19 | 3 |
| 3217-9 | Hex Nut | 7 | 9 | 2 | 3253-5 | Lock Washer | 16 | 20 | 2 |
| 3218-3 | Jam Nut | 9 | 20 | 2 | 3253-5 | Lock Washer | 17 | 5 | 17 |
| 3218-3 | Jam Nut | 16 | 7 | 1 | 3253-5 | Lock Washer | 3 | 11 | 8 |
| 3218-4 | Jam Nut | 14 | 7 | 3 | 3253-5 | Lock Washer | 4 | 11 | 10 |
| 3218-5 | Jam Nut | 16 | 10 | 3 | 3253-5 | Lock Washer | 5 | 10 | 2 |
| 3218-5 | Jam Nut | 18 | 11 | 8 | 3253-5 | Lock Washer | 7 | 18 | 1 |
| 3218-6 | Jam Nut | 9 | 5 | 1 | 3253-6 | Lock Washer | 14 | 8 | 1 |
| 3218-6 | Jam Nut | 10 | 6 | 1 | 3253-6 | Lock Washer | 16 | 27 | 4 |
| 3218-6 | Jam Nut | 18 | 19 | 2 | 3253-7 | Lock Washer | 1 | 16 | 8 |
| 3219-3 | Hex Nut | 6 | 9 | 1 | 3253-7 | Lock Washer | 11 | 7 | 2 |
| 322-3 | Capscrew - Hex Hd. | 17 | 16 | 8 | 3253-7 | Lock Washer | 15 | 11 | 3 |
| 322-5 | Capscrew - Hex Hd. | 16 | 16 | 1 | 3253-7 | Lock Washer | 16 | 41 | 2 |
| 322-5 | Capscrew - Hex Hd. | 20 | 4 | 6 | 3253-7 | Lock Washer | 18 | 13 | 12 |
| 322-6 | Capscrew - Hex Hd. | 16 | 13 | 2 | 3253-7 | Lock Washer | 7 | 8 | 2 |
| 322-6 | Capscrew - Hex Hd. | 3 | 31 | 1 | 3253-7 | Lock Washer | 8 | 4 | 1 |
| 322-6 | Capscrew - Hex Hd. | 4 | 20 | 4 | 3253-8 | Lock Washer | 9 | 4 | 1 |
| 322-7 | Capscrew - Hex Hd. | 3 | 20 | 3 | 3253-8 | Lock Washer | 10 | 5 | 1 |
| 3220-3 | Jam Nut | 6 | 8 | 2 | 3253-8 | Lock Washer | 12 | 8 | 1 |
| 3220-3 | Jam Nut | 8 | 7 | 3 | 3256-2 | Flat Washer | 17 | 26 | 2 |
| 3220-7 | Jam Nut | 15 | 7 | 1 | 3256-2 | Flat Washer | 3 | 15 | 5 |
| 323-10 | Capscrew - Hex Hd. | 1 | 3 | 4 | 3256-2 | Flat Washer | 4 | 15 | 2 |
| 323-10 | Capscrew - Hex Hd. | 3 | 28 | 2 | 3256-2 | Flat Washer | 6 | 15 | 2 |
| 323-10 | Capscrew - Hex Hd. | 4 | 28 | 2 | 3256-23 | "SAE" Flat Washer | 6 | 17 | 2 |
| 323-11 | Capscrew - Hex Hd. | 9 | 17 | 1 | 3256-24 | "SAE" Flat Washer | 11 | 11 | 2 |
| 323-11 | Capscrew - Hex Hd. | 15 | 28 | 3 | 3256-24 | "SAE" Flat Washer | 13 | 8 | 4 |
| 323-6 | Capscrew - Hex Hd. | 1 | 19 | 3 | 3256-24 | "SAE" Flat Washer | 3 | 35 | 4 |
| 323-6 | Capscrew - Hex Hd. | 9 | 8 | 2 | 3256-24 | "SAE" Flat Washer | 4 | 34 | 4 |
| 323-6 | Capscrew - Hex Hd. | 10 | 8 | 2 | 3256-24 | "SAE" Flat Washer | 7 | 17 | 1 |
| 323-6 | Capscrew - Hex Hd. | 16 | 19 | 2 | 3256-24 | "SAE" Flat Washer | 8 | 21 | 1 |
| 323-6 | Capscrew - Hex Hd. | 17 | 7 | 4 | 3256-26 | "SAE" Flat Washer | 11 | 6 | 2 |
| 323-7 | Capscrew - Hex Hd. | 3 | 30 | 4 | 3256-26 | "SAE" Flat Washer | 7 | 7 | 2 |
| 323-7 | Capscrew - Hex Hd. | 17 | 3 | 6 | 3256-26 | "SAE" Flat Washer | 8 | 3 | 1 |
| 323-7 | Capscrew - Hex Hd. | 4 | 30 | 5 | 3256-27 | "SAE" Flat Washer | 9 | 3 | 1 |
| 323-7 | Capscrew - Hex Hd. | 5 | 8 | 2 | 3256-27 | "SAE" Flat Washer | 10 | 4 | 1 |
| 323-8 | Capscrew - Hex Hd. | 11 | 10 | 2 | 3256-28 | "SAE" Flat Washer | 15 | 21 | 1 |
| 323-8 | Capscrew - Hex Hd. | 3 | 9 | 2 | 3256-3 | Flat Washer | 17 | 17 | 8 |
| 323-8 | Capscrew - Hex Hd. | 4 | 9 | 3 | 3256-3 | Flat Washer | 20 | 7 | 4 |
| 323-8 | Capscrew - Hex Hd. | 7 | 16 | 1 | 3256-3 | Flat Washer | 3 | 13 | 8 |
| 323-9 | Capscrew - Hex Hd. | 16 | 2 | 1 | 3256-4 | Flat Washer | 1 | 9 | 5 |
| 3230-2 | Carriage Bolt | 16 | 43 | 1 | 3256-4 | Flat Washer | 9 | 19 | 1 |
| 3231-2 | Carriage Bolt | 17 | 22 | 2 | 3256-4 | Flat Washer | 12 | 14 | 3 |
| 325-12 | Capscrew - Hex Hd. | 1 | 15 | 8 | 3256-4 | Flat Washer | 13 | 5 | 12 |
| 325-5 | Capscrew - Hex Hd. | 8 | 5 | 1 | 3256-4 | Flat Washer | 16 | 3 | 2 |
| 325-6 | Capscrew - Hex Hd. | 15 | 9 | 3 | 3256-4 | Flat Washer | 17 | 4 | 28 |
| 325-6 | Capscrew - Hex Hd. | 16 | 23 | 2 | 3256-4 | Flat Washer | 3 | 10 | 12 |
| 325-7 | Capscrew - Hex Hd. | 11 | 5 | 2 | 3256-4 | Flat Washer | 4 | 10 | 20 |
| 325-7 | Capscrew - Hex Hd. | 18 | 12 | 18 | 3256-4 | Flat Washer | 5 | 9 | 12 |
| 325-7 | Capscrew - Hex Hd. | 7 | 6 | 2 | 3256-4 | Flat Washer | 6 | 3 | 5 |
| 3253-3 | Lock Washer | 17 | 20 | 2 | 3256-4 | Flat Washer | 8 | 11 | 2 |
| 3253-3 | Lock Washer | 3 | 16 | 5 | 3256-5 | Flat Washer | 14 | 6 | 8 |
| 3253-3 | Lock Washer | 4 | 16 | 2 | 3256-5 | Flat Washer | 8 | 19 | 3 |
| 3253-4 | Lock Washer | 16 | 14 | 3 | 3256-6 | Flat Washer | 9 | 12 | 6 |
| 3253-4 | Lock Washer | 17 | 18 | 8 | 3256-6 | Flat Washer | 10 | 12 | 5 |
| 3253-4 | Lock Washer | 20 | 5 | 6 | 3256-6 | Flat Washer | 12 | 18 | 2 |
| 3253-4 | Lock Washer | 3 | 19 | 4 | 3256-6 | Flat Washer | 15 | 10 | 3 |
| 3253-4 | Lock Washer | 4 | 19 | 4 | 3256-6 | Flat Washer | 16 | 11 | 6 |
| 3253-5 | Lock Washer | 1 | 8 | 5 | 3256-6 | Flat Washer | 18 | 10 | 36 |
| 3253-5 | Lock Washer | 9 | 9 | 2 | 3256-7 | Flat Washer | 12 | 6 | 3 |

* Not Illustrated

PART NUMBER INDEX (Continued)

| Part No. | Description | Pg. No. | Ref. No. | Qty. | Part No. | Description | Pg. No. | Ref. No. | Qty. |
|-------------|--------------------------------------|---------|----------|------|-------------|-----------------------------|---------|----------|------|
| 3256-7 | Flat Washer | 18 | 18 | 4 | 48-004-5521 | Cessna Pump Spacer | 4 | 26 | 1 |
| 327-14 | Capscrew - Hex Hd. | 12 | 4 | 1 | 48-004-5651 | Muffler Guard | 4 | 3 | 1 |
| 327-14 | Capscrew - Hex Hd. | 18 | 17 | 2 | 48-004-5841 | Reel Plate Spacer | 9 | 2 | 1 |
| 327-6 | Capscrew - Hex Hd. | 9 | 6 | 1 | 48-004-5841 | Reel Plate Spacer | 10 | 3 | 1 |
| 327-6 | Capscrew - Hex Hd. | 10 | 2 | 1 | 48-004-5991 | Bed & Hopper Mount-R.H. | 17 | * | 1 |
| 3272-11 | Cotter Pin | 6 | 16 | 2 | 48-004-6101 | Hopper Box Spacer | 18 | 4 | 4 |
| 3272-15 | Cotter Pin | 15 | 23 | 1 | 48-004-6241 | Brake Stop Plate | 16 | 18 | 1 |
| 3272-21 | Cotter Pin | 12 | 3 | 1 | 48-004-6261 | Fuel Line | 5 | 6 | 1 |
| 3272-23 | Cotter Pin | 16 | 34 | 1 | 48-004-6271 | Spacer | 13 | 3 | 2 |
| 3272-23 | Cotter Pin | 7 | 14 | 2 | 48-004-6282 | Wet Leaf Deflector | 17 | 14 | 1 |
| 3272-23 | Cotter Pin | 8 | 17 | 1 | 48-004-6302 | Air Cleaner Base | 20 | 2 | 1 |
| 3272-25 | Cotter Pin | 7 | 28 | 1 | 48-004-6391 | Onan Flywheel Guard | 4 | 13 | 1 |
| 3296-39 | Lock Nut | 1 | 5 | 2 | 48-004-6441 | Flywheel Guard | 3 | 8 | 1 |
| 3296-39 | Lock Nut | 12 | 11 | 1 | 48-004-6631 | Break Pedal Stop | 16 | 42 | 1 |
| 3296-39 | Lock Nut | 3 | 34 | 2 | 48-005-0111 | Hopper Door Linkage | 18 | 1 | 2 |
| 3296-39 | Lock Nut | 4 | 33 | 2 | 48-005-0121 | Spring Tension Adjustment | 12 | 10 | 1 |
| 3296-48 | Lock Nut | 8 | 20 | 3 | 48-005-0131 | Front Reel Assembly | 11 | 2 | 1 |
| 48-002-0071 | Throttle Assembly | 3 | 7 | 1 | 48-005-0131 | Front Reel Assembly | 7 | 2 | 1 |
| 48-002-0101 | Breather Cap | 19 | 19 | 1 | 48-005-0162 | Idler Cover | 8 | 18 | 1 |
| 48-002-5441 | Idler Sprocket Assembly | 7 | * | 1 | 48-005-0172 | Reel Plate Assembly-R.H. | 10 | 1 | 1 |
| 48-002-5441 | Idler Sprocket Assembly | 8 | * | 1 | 48-005-0172 | Reel Plate Assembly-R.H. | 11 | 3 | 1 |
| 48-004-1051 | Bed & Hopper Mount-L.H. | 17 | 2 | 1 | 48-005-0182 | Reel Plate Assembly-L.H. | 9 | 1 | 1 |
| 48-004-1131 | Linkage, Hopper Door/ Over Center | 18 | 8 | 2 | 48-005-0182 | Reel Plate Assembly-L.H. | 7 | 4 | 1 |
| 48-004-1141 | Linkage, Hopper Door/ Over Center | 18 | 15 | 2 | 48-005-0191 | Idler Shaft Assembly | 8 | 1 | 1 |
| 48-004-1151 | Linkage, Lower Hopper Door | 18 | 16 | 2 | 48-005-0201 | Rear Reel Assembly | 11 | 1 | 1 |
| 48-004-1211 | Belt Slip Pin | 13 | 6 | 2 | 48-005-0201 | Rear Reel Assembly | 7 | 1 | 1 |
| 48-004-1282 | Steering Yoke Gear | 15 | 27 | 1 | 48-005-0222 | Handle | 9 | 16 | 1 |
| 48-004-1621 | Linkage, Upper Hopper Door | 18 | 7 | 2 | 48-005-0231 | Reel Lift Rod Assembly-L.H. | 9 | 14 | 1 |
| 48-004-1711 | Idler Spring Rod | 12 | 13 | 1 | 48-005-0241 | Pump Control Arm Assembly | 6 | 10 | 1 |
| 48-004-1751 | Air Deflector | 1 | 18 | 1 | 48-005-0273 | Hopper | 17 | 1 | 1 |
| 48-004-1861 | Hose Hold Down Bracket | 1 | 10 | 2 | 48-005-0282 | Hopper Door | 18 | 5 | 1 |
| 48-004-1861 | Hose Hold Down Bracket | 14 | 3 | 2 | 48-005-0292 | Dust Shield | 17 | 8 | 1 |
| 48-004-1901 | Spring, Hopper Door | 18 | 9 | 2 | 48-005-0322 | Belt Guard | 13 | 7 | 1 |
| 48-004-1931 | Key | 7 | 12 | 2 | 48-005-0322 | Belt Guard | 14 | 1 | 1 |
| 48-004-1961 | Key | 15 | 6 | 1 | 48-005-0432 | Reel Lift Assembly | 9 | 7 | 1 |
| 48-004-2101 | Spacer | 13 | * | 2 | 48-005-0432 | Reel Lift Assembly | 10 | 7 | 1 |
| 48-004-2601 | Spring Rod | 6 | 11 | 1 | 48-005-0462 | Seat Mount | 1 | 2 | 1 |
| 48-004-3131 | Pump Support | 3 | 29 | 1 | 48-005-0591 | Reel Lift Tube Assembly | 9 | 11 | 1 |
| 48-004-3131 | Pump Support | 4 | 29 | 1 | 48-005-0591 | Reel Lift Tube Assembly | 10 | 15 | 1 |
| 48-004-3291 | Belt Slip Bracket | 13 | 1 | 1 | 48-005-0611 | Idler Arm | 12 | 1 | 1 |
| 48-004-3471 | Spacer | 12 | 5 | 1 | 48-005-0621 | Foot Pedal | 6 | 1 | 1 |
| 48-004-3831 | Battery Hold Down | 5 | 12 | 1 | 48-005-0641 | Tow Valve Handle | 19 | 12 | 1 |
| 48-004-3881 | Spacer | 8 | 2 | 1 | 48-005-0641 | Tow Valve Handle | 3 | * | 1 |
| 48-004-3891 | Idler Spring Rod | 8 | 10 | 1 | 48-005-0641 | Tow Valve Handle | 4 | * | 1 |
| 48-004-4041 | Reel Chain | 7 | 27 | 1 | 48-005-0671 | Brake Pedal | 16 | 1 | 1 |
| 48-004-4071 | Throttle Outer Sheath | 3 | * | 1 | 48-005-0712 | Gas Tank | 5 | 1 | 1 |
| 48-004-4081 | Throttle Inner Wire | 3 | * | 1 | 48-005-0764 | Main Frame | 1 | 1 | 1 |
| 48-004-4111 | Fuel Line | 5 | * | 1 | 48-005-0781 | Brake Stop Weldment | 16 | 5 | 1 |
| 48-004-4641 | Peep Hole Cover | 17 | 11 | 1 | 48-005-0791 | Air Cleaner Mount | 20 | 3 | 1 |
| 48-004-4651 | Sector Spacer | 15 | 16 | 3 | 48-005-5781 | Reel Lift Rod Assembly-R.H. | 10 | 11 | 1 |
| 48-004-4921 | Hose Assembly | 19 | 10 | 1 | 48-005-8231 | Control Rod | 6 | 5 | 1 |
| 48-004-5052 | Engine Adaptor | 3 | 18 | 1 | 52-9640 | Decal - Hydraulic Oil | 21 | 13 | 1 |
| 48-004-5062 | Engine Adaptor | 4 | 18 | 1 | 54-002-0011 | Steering Column Assembly | 15 | * | 1 |
| 48-004-5071 | Key | 3 | 25 | 1 | 54-004-1241 | Brake Shoe Bracket | 16 | 26 | 1 |
| 48-004-5071 | Key | 4 | 25 | 1 | 54-004-1501 | Steering Shaft | 15 | 3 | 1 |
| 48-004-5131 | PVK80 Rubber | 5 | 7 | 2 | 54-004-1701 | Hose | 20 | 13 | 1 |
| 48-004-5281 | Handle | 17 | 9 | 1 | 54-005-0242 | Steering Yoke Assembly | 15 | 13 | 1 |
| 48-004-5451 | Hopper Floor Seal | 17 | 15 | 1 | 54-005-0251 | Axle | 16 | 22 | 1 |
| 48-004-5521 | Cessna Pump Spacer | 3 | 26 | 1 | 54-005-0261 | Brake Mount | 16 | 21 | 1 |
| | | | | | 54-005-0282 | Front Wheel | 16 | 24 | 1 |
| | | | | | 54-005-1521 | Steering Column Assembly | 15 | 2 | 1 |

* Not Illustrated

PART NUMBER INDEX (Continued)

| Part No. | Description | Pg. No. | Ref. No. | Qty. | Part No. | Description | Pg. No. | Ref. No. | Qty. |
|-------------|-----------------------|---------|----------|------|-------------|----------------------|---------|----------|------|
| 58-6520 | Decal - Grease | 21 | 3 | 6 | 92-4636 | Seal Cover | 23 | 15 | 1 |
| 66-004-3211 | Key | 11 | 16 | 1 | 92-4637 | Trunnion Cover | 23 | 18 | 1 |
| 66-6140 | Decal - Toro | 21 | 10 | 1 | 92-4638 | Cover - O-Ring | 23 | 16 | 1 |
| 67-7920 | Decal - Toro | 21 | 7 | 1 | 92-4639 | Capscrew | 23 | 54 | 2 |
| 71-3730 | Decal - Gas Only | 21 | 14 | 1 | 92-4640 | Capscrew | 23 | 34 | 2 |
| 74-0720 | Manual Tube | 17 | 24 | 1 | 92-4641 | Key - Drive Shaft | 23 | 7 | 1 |
| 75-5190 | Decal - No Riders | 21 | 15 | 1 | 92-4642 | Cessna Backing Plate | 3 | 33 | 1 |
| 82-004-1171 | Key | 11 | 19 | 1 | 92-4642 | Cessna Backing Plate | 4 | 32 | 1 |
| 92-4622 | Back Plate Assembly | 23 | 33 | 1 | 92-4643 | Plug Assembly | 23 | 61 | 1 |
| 92-4623 | Housing Assembly | 23 | 9 | 1 | 92-4646 | Charge Pump Adaptor | 23 | 52 | 1 |
| 92-4624 | Rotating Kit Assembly | 23 | 29 | 1 | 92-4649 | Roll Pin | 23 | 55 | 1 |
| 92-4625 | Camplate | 23 | 19 | 1 | 92-4650 | Seal Kit | 19 | * | 1 |
| 92-4626 | Washer | 23 | 3 | 1 | 92-4650 | Seal Kit | 23 | * | 1 |
| 92-4629 | Bearing Race | 23 | 5 | 2 | 92-4650 | Seal Kit | 3 | * | 1 |
| 92-4631 | Washer | 23 | 13 | 2 | 92-4650 | Seal Kit | 4 | * | 1 |
| 92-4633 | Screw - Pan Head | 23 | 17 | 4 | 93-004-0511 | Spacer | 20 | 12 | 1 |
| 92-4634 | Plug Assembly | 23 | 35 | 2 | | | | | |

* Not Illustrated

PRODUCT CHANGES

In an effort to make improvements available to TORO owners as quickly as possible minor changes are incorporated into Toro's products from time to time that do not become immediately shown in the Parts Catalog. If such a change has been made in your unit which is not reflected in your manual see your TORO Distributor or an Authorized Service Dealer for information and part numbers.

IDENTIFICATION & ORDERING

MODEL AND NUMBERS

The TURF SWEEPER 4800 has two identification numbers; a model number and a serial number. The two numbers are stamped on a plate which is located on the seat bracket. In any correspondence concerning the Turf Sweeper 4800, supply model and serial numbers to assure that correct information and replacement parts are obtained.

To order replacement parts from your TORO Distributor or an Authorized Service Dealer, supply the following information:

1. Model and serial number of the unit.
2. Part number description and the quantity of part (s) desired.

NOTE: Do not order by reference number if a parts catalog is being used: use the PART NUMBER.

TABLE OF CONTENTS

| Description | Page | Description | Page |
|--|------|---|---------|
| Main Frame Assembly | 1 | Belt Idler Assembly | 12 |
| Hydraulic Motor - No. 01-304-0410 | 2 | Belt Slip Bracket | 13 |
| Engine Mounting - Model #44040 | 3 | Belt Guard & Hose Brackets | 14 |
| Engine Mounting - Model #44045 | 4 | Steering Assembly | 15 |
| Gas Tank & Battery Hold Down | 5 | Brake System | 16 - 17 |
| Foot Pedal & Pump Control Rod Assembly | 6 | Hopper Assembly | 18 |
| Sweeper Reels & Timing Chain Assembly | 7 | Hopper Door Assembly | 19 |
| Chain Idler & Guard Assembly | 8 | Hydraulic Schematic - 4800 | 20 |
| Reel Lift Assembly-L.H. | 9 | Donaldson Air Cleaner - Model No. 44062 | 21 |
| Reel Lift Assembly-R.H. | 10 | Cessna Pump - No. 01-305-0090 | 22 - 23 |
| Belt Drive Assembly | 11 | Part Number Index | 24 - 28 |

NOTES

NOTES

