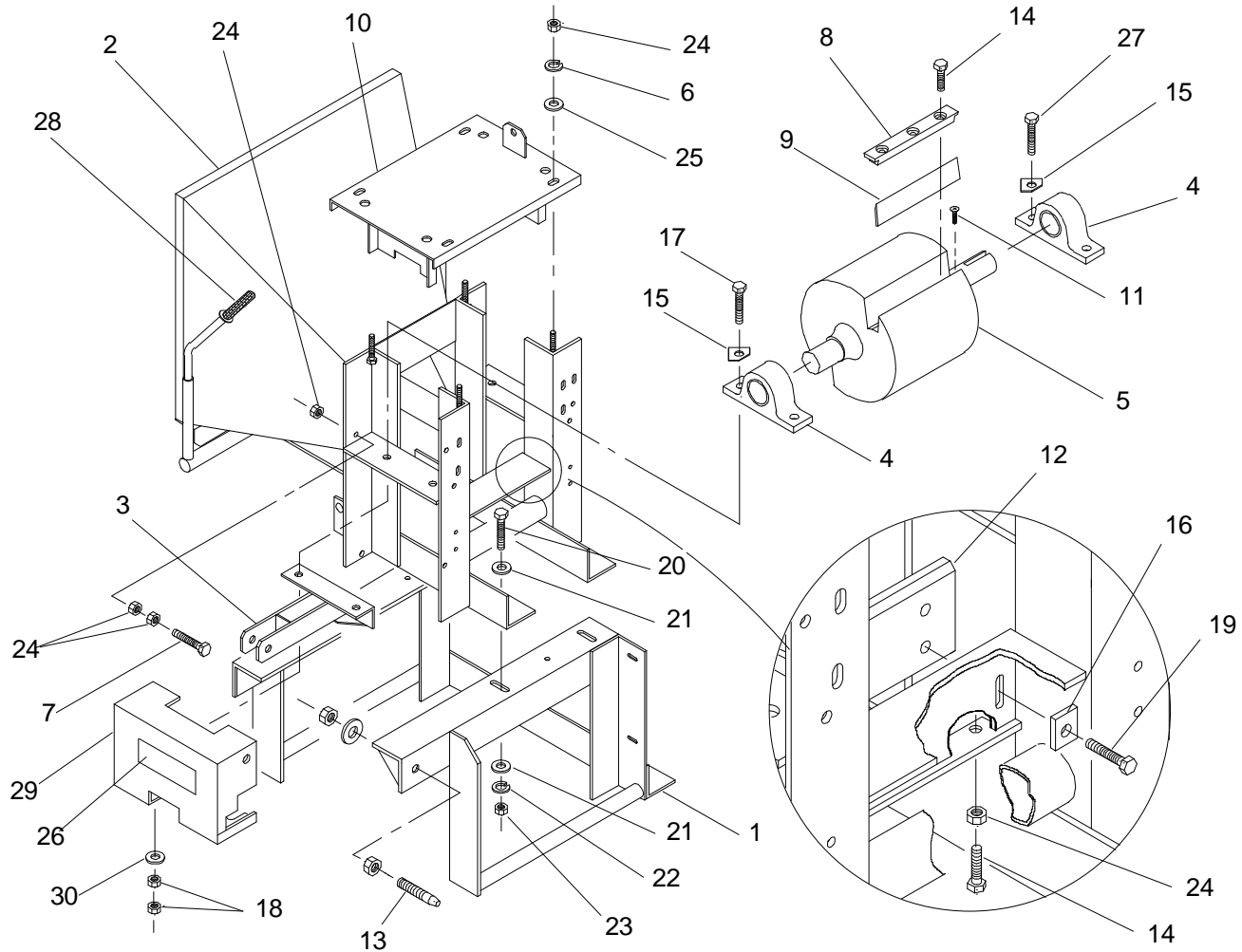




MODEL NO. 44560 - 20101 & UP

PARTS CATALOG

COMMERCIAL CHIPPER 1200 (3 Pt.)

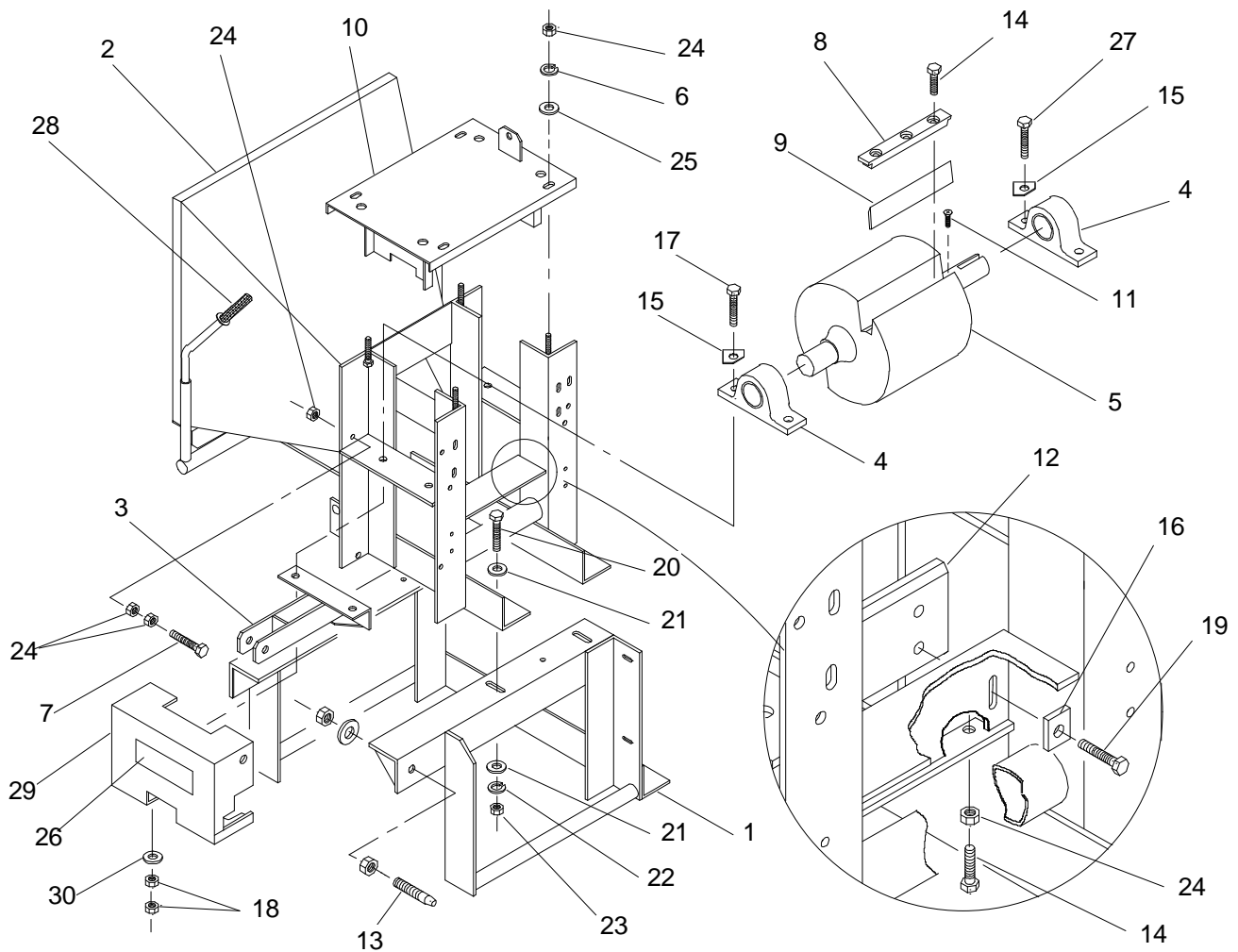


BASE & HEAD ASSEMBLY

12-001

Ref. No.	Part No.	Description	No. Used
1	12-005-0064	Base Assembly	1
2	12-005-0094	Head Assembly	1
3	12-005-0142	Hitch Assembly	1
4	01-113-0060	Bearing	2
5	12-005-0082	Drum Assembly	1
6	3253-7	Lock Washer	4
7	01-182-0820	Capscrew - Hex Hd.	4
8	12-004-1631	Wedge	2
9	01-283-0220	Blade	2
10	12-005-0102	Drum Hood Assembly	1
11	01-158-0020	Blade Height Adj. Screw	4
12	12-004-1191	Cutter Bar	1
13	01-252-0010	Hitch Pin w/nuts	2
14	01-182-0816	Capscrew - Hex Hd.	8
15	12-004-1581	Bearing Washer	4

Ref. No.	Part No.	Description	No. Used
16	12-004-0911	Cutter Bar Washer	3
17	328-7	Capscrew - Hex Hd.	2
18	3217-12	Hex Nut	8
19	325-5	Capscrew - Hex Hd.	3
20	327-6	Capscrew - Hex Hd.	4
21	3256-7	Flat Washer	8
22	3253-8	Lock Washer	4
23	3217-11	Hex Nut	4
24	3217-9	Hex Nut	18
25	3256-6	Flat Washer	4
26	01-506-0130	Decal - Danger	1
27	328-5	Capscrew - Hex Hd.	2
28	01-259-0010	Handle Grip	2
29	12-005-1901	Bearing Cover	1



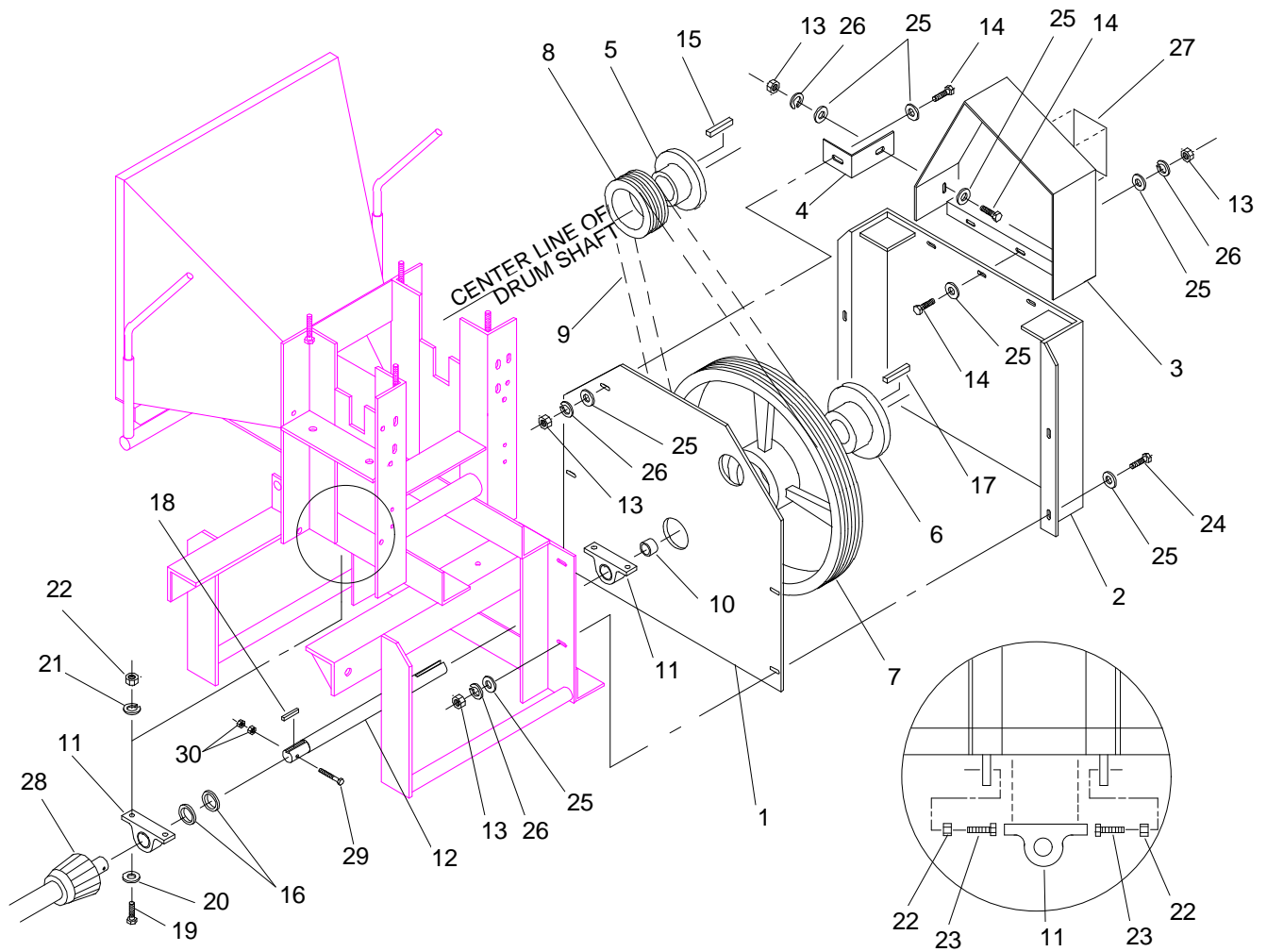
BASE & HEAD ASSEMBLY (Continued)

12-001

Ref. No.	Part No.	Description	No. Used
30	01-166-1200	Flat Washer	2
*	12-005-0051	Blade Height Adj. Gauge	1
*	01-608-0010	Allen Wrench	1

Ref. No.	Part No.	Description	No. Used
*	01-610-0010	Feeler Gauge	1
*	01-286-0060	Sharpening Stone	1
*	01-609-0010	Safety Goggles	1

* Not Illustrated

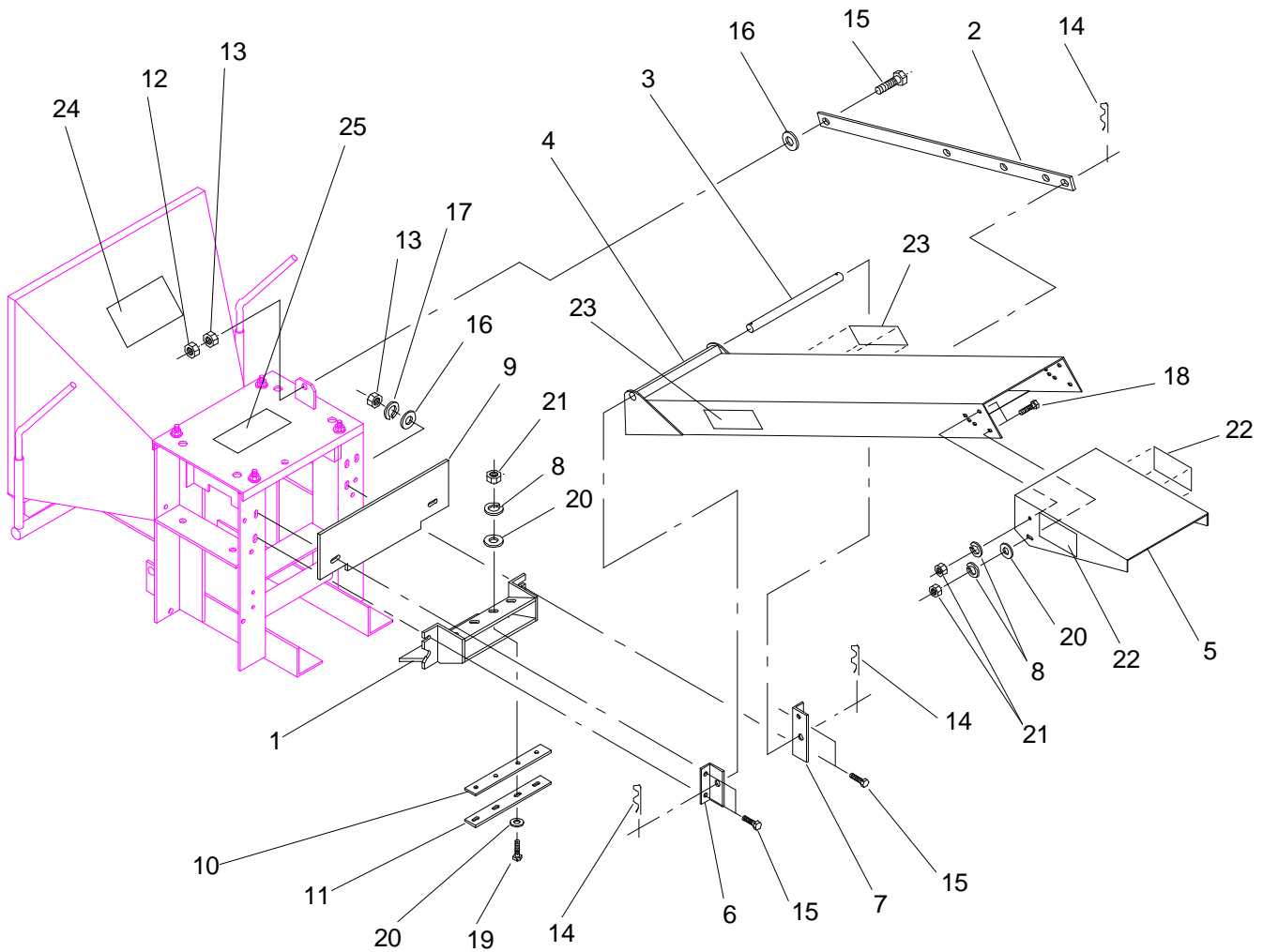


DRIVE SYSTEM

12-002

Ref. No.	Part No.	Description	No. Used
1	12-004-1521	Inner Guard	1
2	12-005-0241	Lower Guard	1
3	12-005-0201	Top Guard	1
4	12-004-0351	Guard Bracket	1
5	01-260-0330	Bushing	1
6	01-260-0740	Bushing	1
7	01-260-0300	Sheave	1
8	01-260-0320	Sheave	1
9	01-264-0080	Belt	2
10	12-004-1411	Jackshaft Spacer	1
11	01-113-0050	Bearing	2
12	12-004-0471	Jackshaft	1
13	3217-7	Hex Nut	9
14	323-6	Capscrew - Hex Hd.	5
15	12-004-1811	Key	1

Ref. No.	Part No.	Description	No. Used
16	01-168-2210	Machinery Bushing	2(var)
17	12-004-1341	Key	1
18	12-004-1331	Key	1
19	325-8	Capscrew - Hex Hd.	4
20	3256-6	Flat Washer	4
21	3253-7	Lock Washer	4
22	3217-9	Hex Nut	8
23	01-182-0816	Capscrew - Hex Hd.	4
24	323-7	Capscrew - Hex Hd.	4
25	3256-4	Flat Washer	18
26	3253-5	Lock Washer	9
27	01-506-0040	Decal - Danger	1
28	01-282-0210	PTO	1
29	322-20	Capscrew - Hex Hd.	1
30	3217-6	Hex Nut	2

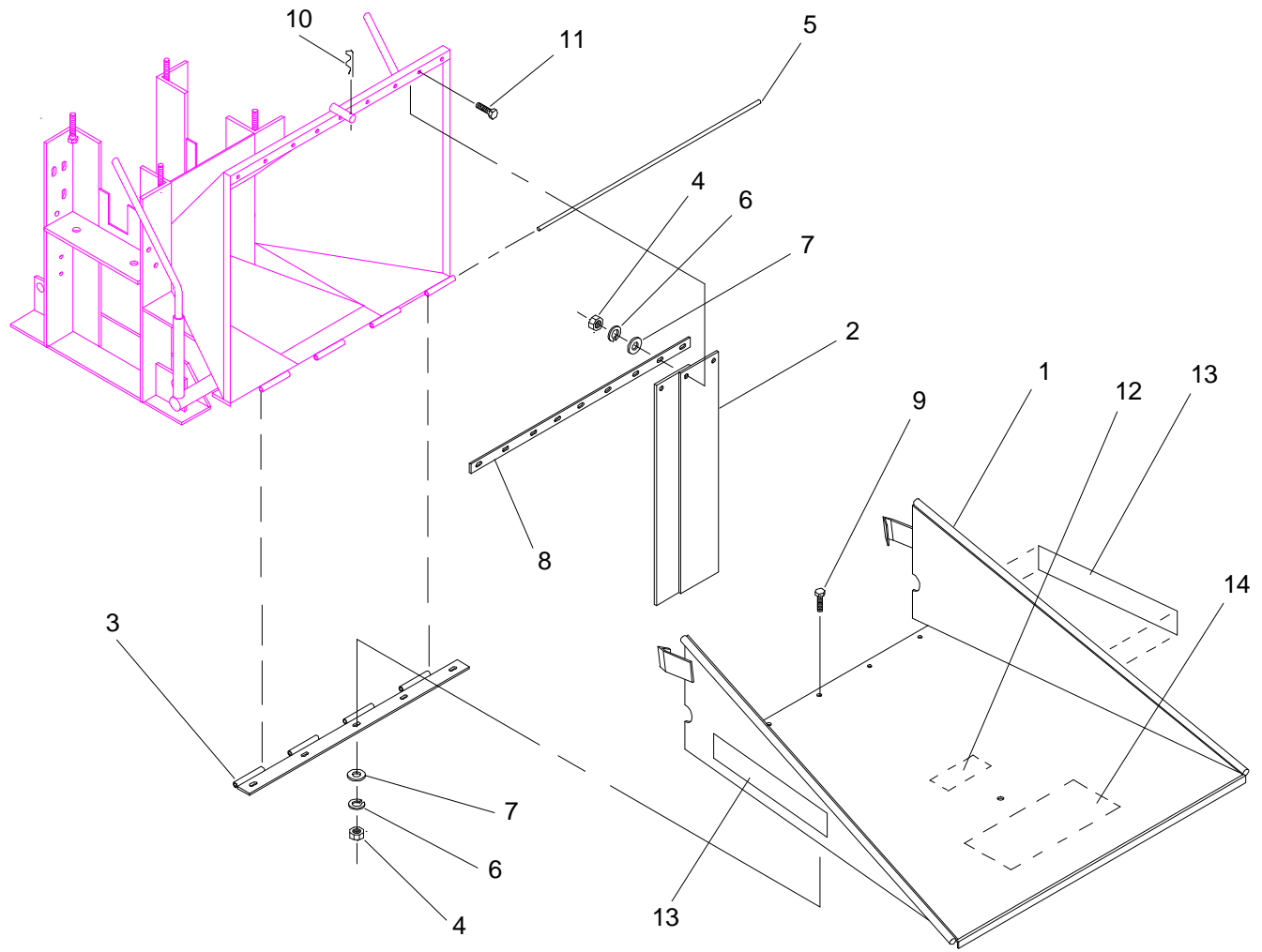


DISCHARGE CHUTE ASSEMBLY

12-003

Ref. No.	Part No.	Description	No. Used
1	12-005-0232	Chute Take Off	1
2	12-004-0772	Chute Support Arm	1
3	12-004-0741	Chute Pin	1
4	12-005-0183	Throw Out Chute	1
5	12-004-0362	Chute Deflector	1
6	12-004-0791	Chute Mounting Angle, Front	1
7	12-004-0801	Chute Mounting Angle, Idler Side	1
8	3253-5	Lock Washer	8
9	12-004-0271	Drum Cover	1
10	12-004-1561	Rubber Chute Seal	1
11	12-004-0691	Rubber Flap Mount	1
12	3218-5	Jam Nut	1
13	3217-9	Hex Nut	5

Ref. No.	Part No.	Description	No. Used
14	01-159-0010	Presto Pin	3
15	325-6	Capscrew - Hex Hd.	5
16	3256-6	Flat Washer	5
17	3253-7	Lock Washer	4
18	01-184-0608	Machine Screw - Rd. Hd.	4
19	323-7	Capscrew - Hex Hd.	4
20	3256-4	Flat Washer	10
21	3217-7	Hex Nut	8
22	01-506-0300	Decal - Danger	2
23	01-506-0290	Decal - Danger	2
24	01-506-0520	Decal - Toro	1
25	01-506-1080	Decal - Danger	1

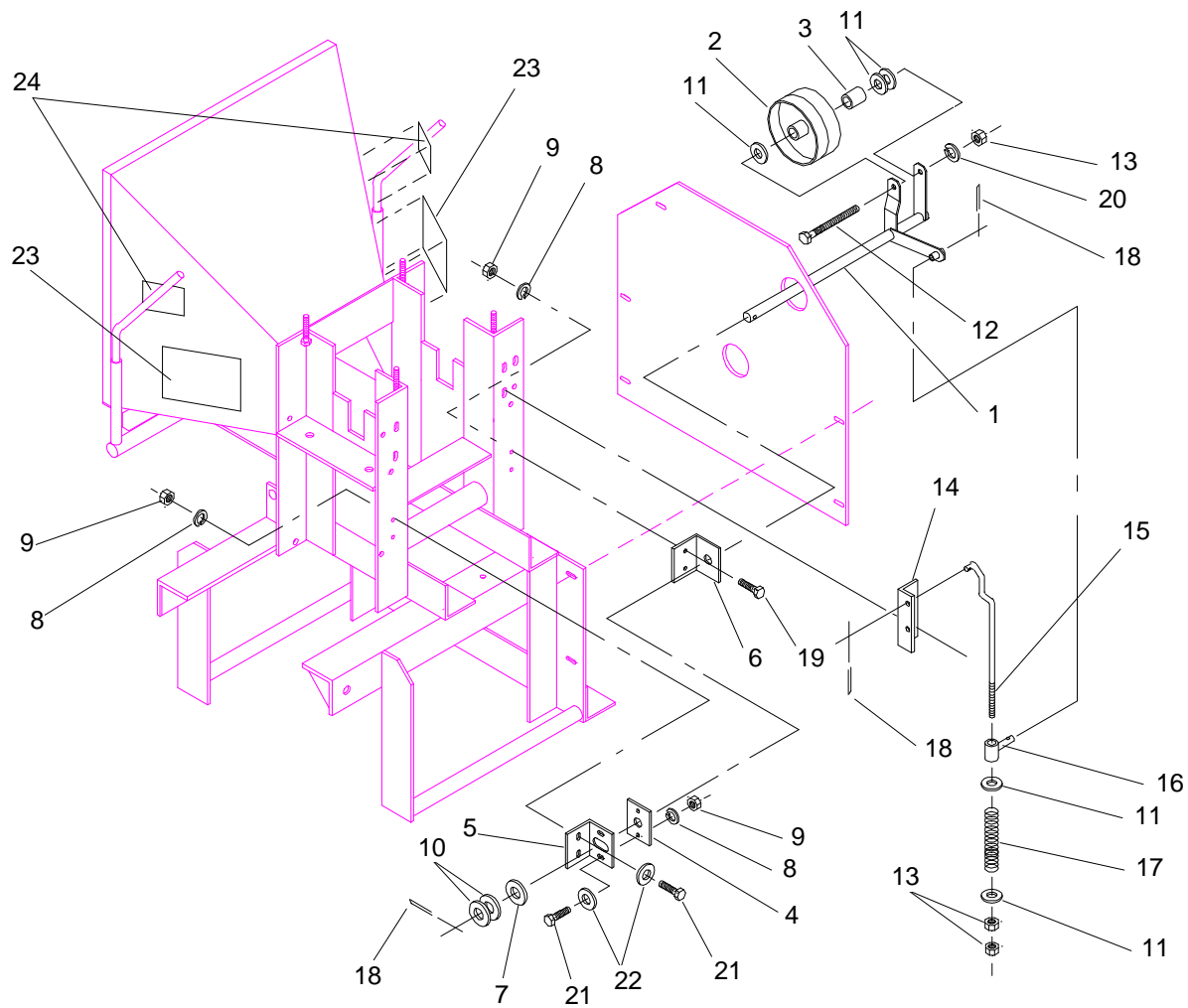


HOPPER CHUTE ASSEMBLY

12-004

Ref. No.	Part No.	Description	No. Used
1	12-005-0163	Hopper Extension	1
2	12-004-1861	Safety Flap	8
3	12-005-0072	Apron Hinge	1
4	3217-7	Hex Nut	14
5	12-004-1211	Apron Hinge Rod	1
6	3253-5	Lock Washer	14
7	3256-4	Flat Washer	14
8	12-004-1851	Safety Mounting Flap	1

Ref. No.	Part No.	Description	No. Used
9	01-184-0608	Machine Screw - Rd. Hd.	5
10	01-159-0010	Presto Pin	1
11	323-7	Capscrew - Hex Hd.	9
12	01-506-0310	Decal - Danger	1
13	01-506-0710	Decal - Commercial Chipper 1200	2
14	01-506-0520	Decal - Toro	1



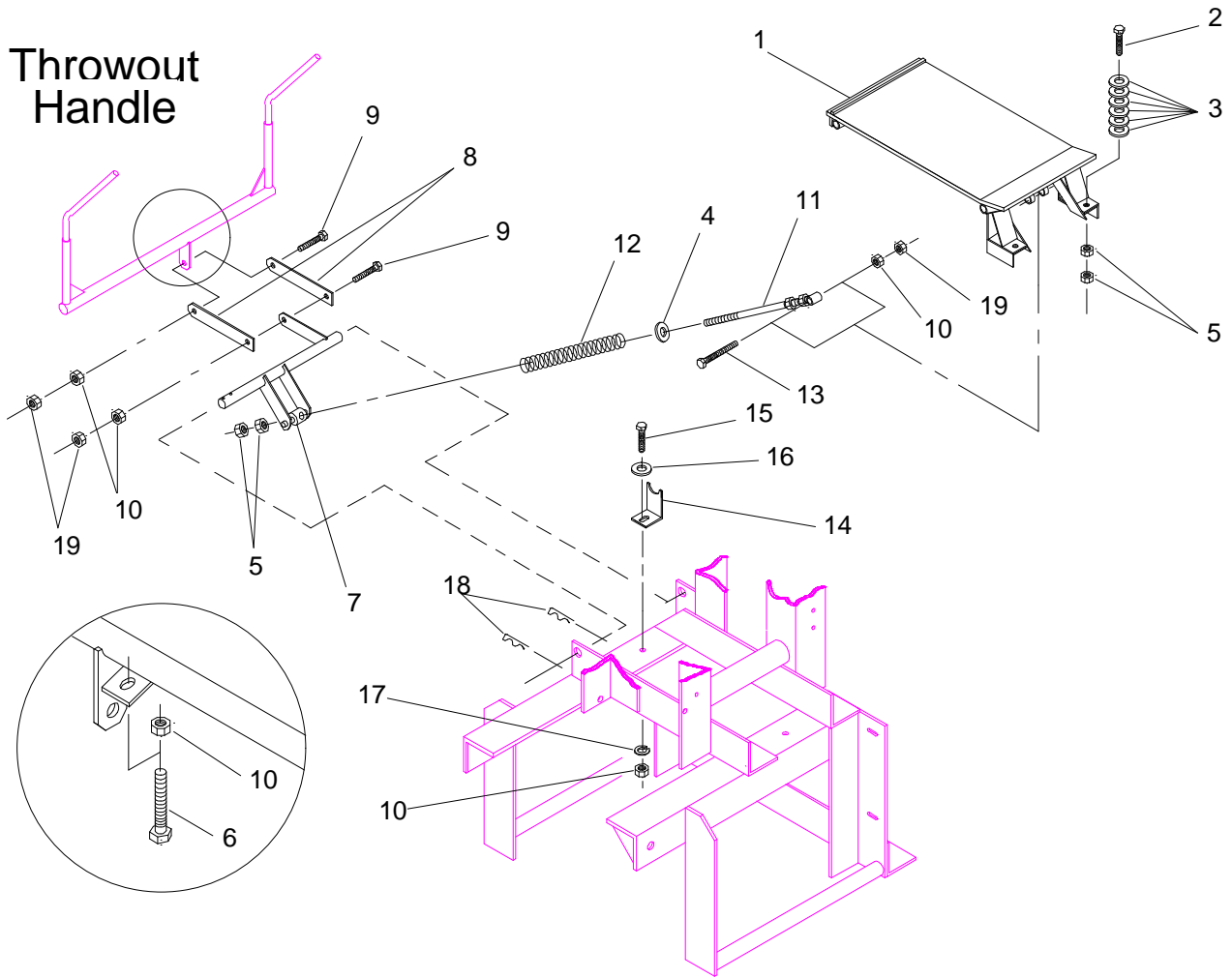
IDLER SHAFT ASSEMBLY

12-005

Ref. No.	Part No.	Description	No. Used
1	12-005-0192	Idler Adjustment Shaft Assembly	1
2	01-268-0020	Idler Pulley	1
3	12-004-0621	Idler Spacer	1
4	12-004-1021	Idler Adjustment Plate	1
5	12-004-0851	Idler Mounting Bracket	1
6	12-004-0841	Idler Adjustment Mounting Bracket	1
7	01-168-1618	Machinery Bushing	1(var)
8	3253-5	Lock Washer	6
9	3217-7	Hex Nut	6
10	01-168-1614	Machinery Bushing	2(var)
11	3256-6	Flat Washer	5
12	325-19	Capscrew - Hex Hd.	1
13	3217-9	Hex Nut	3

Ref. No.	Part No.	Description	No. Used
14	12-004-0801	Chute Mounting Angle, Idler Side	1
15	12-004-0571	Idler Tension Rod	1
16	12-005-0221	Idler Pin	1
17	01-261-0120	Idler Spring	1
18	3272-23	Cotter Pin	3
19	323-7	Capscrew - Hex Hd.	2
20	3253-7	Lock Washer	1
21	323-8	Capscrew - Hex Hd.	4
22	3256-4	Flat Washer	4
23	01-506-0270	Decal - Operating Instr.	2
24	01-506-0400	Decal - Danger	2

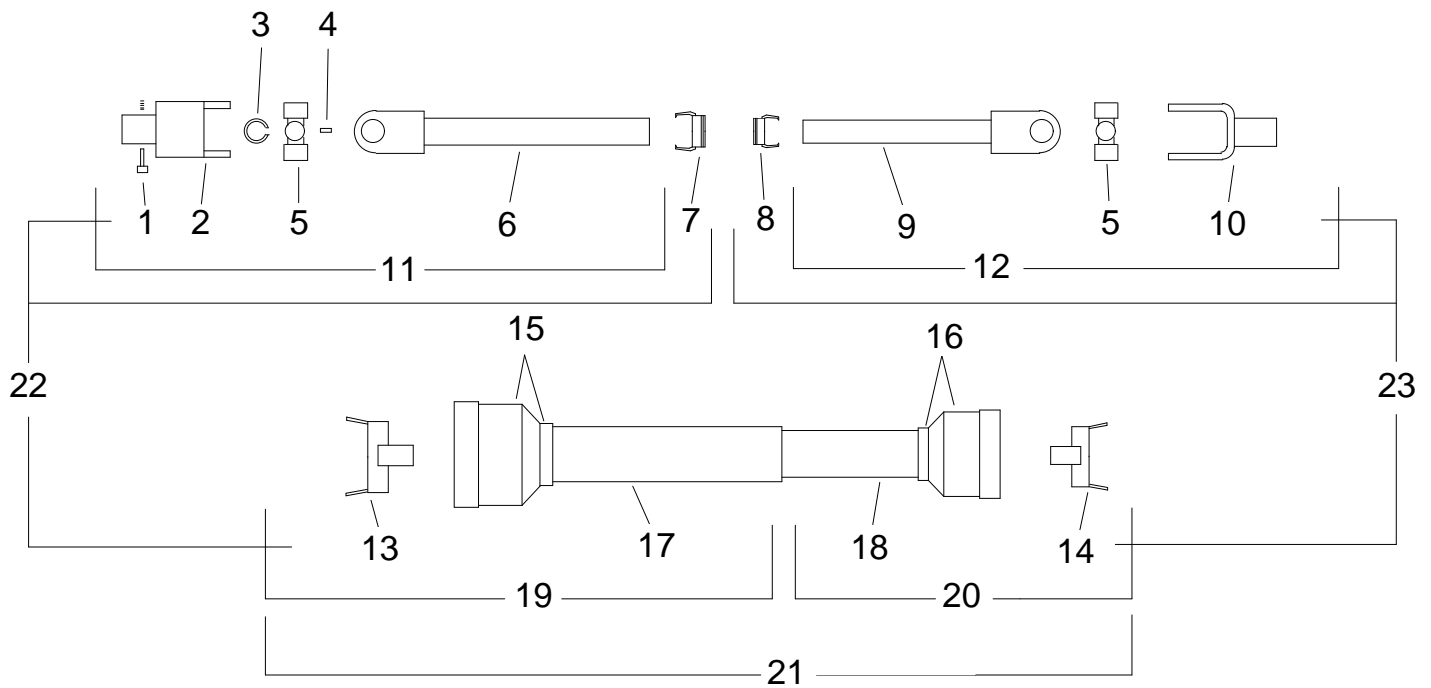
Throwout Handle



SAFETY THROWOUT ASSEMBLY

12-006

Ref. No.	Part No.	Description	No. Used	Ref. No.	Part No.	Description	No. Used
1	12-005-0123	Feed Plate Assembly	1	12	01-261-0290	Spring Rod Spring	1
2	01-182-1020	Capscrew - Hex Hd.	2	13	325-17	Capscrew - Hex Hd.	1
3	01-168-1014	Machinery Bushing	12(var)	14	12-004-1601	Toggle Shaft Support	1
4	3256-7	Flat Washer	1	15	325-5	Capscrew - Hex Hd.	1
5	3217-24	Hex Nut	6	16	3256-6	Flat Washer	1
6	325-12	Capscrew - Hex Hd.	1	17	3253-7	Lock Washer	1
7	12-005-0212	Toggle Shaft Assembly	1	18	01-159-0010	Presto Pin	2
8	12-004-0901	Connecting Arm	2	19	3218-5	Jam Nut	3
9	325-7	Capscrew - Hex Hd.	2				
10	3217-9	Hex Nut	4				
11	12-005-0171	Spring Rod	1				



PTO ASSEMBLY 01-282-0210

PTO-0860

Ref. No.	Part No.	Description	No. Used
1	01-282-0830	Twist Yoke	1
2	01-282-0310	Snap Ring	8
3	01-282-0320	Grease Fitting	2
4	01-282-0300	Cross & Bearing	2
5	01-282-0330	Outer Yoke-tractor End	1
6	01-282-0260	Shield Bearing-outer	1
7	01-282-0270	Shield Bearing-inner	1
8	01-282-0340	Inner Yoke	1

Ref. No.	Part No.	Description	No. Used
9	01-282-0850	Implement Yoke	1
10	01-282-0410	Outer Tube Shielding	1
11	01-282-0420	Inner Tube Shielding	1
12	01-282-0370	Shield Bearing-tractor End	1
13	01-282-0380	Shield Bearing	1
14	01-282-0390	Outer Tube Cone-tractor End	1
15	01-282-0400	Inner Tube Cone	1

PART NUMBER INDEX

Part No.	Description	Pg. No.	Ref. No.	Qty.	Part No.	Description	Pg. No.	Ref. No.	Qty.
01-113-0050	Bearing	3	11	2	01-506-0520	Decal - Toro	4	24	1
01-113-0060	Bearing	1	4	2	01-506-0520	Decal - Toro	5	14	1
01-158-0020	Blade Height Adj. Screw	1	11	4	01-506-0710	Decal - Commercial			
01-159-0010	Presto Pin	4	14	3		Chipper 1200	5	13	2
01-159-0010	Presto Pin	5	10	1	01-506-1080	Decal - Danger	4	25	1
01-159-0010	Presto Pin	7	18	2	01-608-0010	Allen Wrench	2	*	1
01-166-1200	Flat Washer	2	30	2	01-609-0010	Safety Goggles	2	*	1
01-168-1014	Machinery Bushing	7	3	12	01-610-0010	Feeler Gauge	2	*	1
01-168-1614	Machinery Bushing	6	10	2	12-004-0271	Drum Cover	4	9	1
01-168-1618	Machinery Bushing	6	7	1	12-004-0351	Guard Bracket	3	4	1
01-168-2210	Machinery Bushing	3	16	2	12-004-0362	Chute Deflector	4	5	1
01-182-0816	Capscrew - Hex Hd.	1	14	8	12-004-0471	Jackshaft	3	12	1
01-182-0816	Capscrew - Hex Hd.	3	23	4	12-004-0571	Idler Tension Rod	6	15	1
01-182-0820	Capscrew - Hex Hd.	1	7	4	12-004-0621	Idler Spacer	6	3	1
01-182-1020	Capscrew - Hex Hd.	7	2	2	12-004-0691	Rubber Flap Mount	4	11	1
01-184-0608	Machine Screw - Rd. Hd.	4	18	4	12-004-0741	Chute Pin	4	3	1
01-184-0608	Machine Screw - Rd. Hd.	5	9	5	12-004-0772	Chute Support Arm	4	2	1
01-252-0010	Hitch Pin	1	13	2	12-004-0791	Chute Mounting Angle	4	6	1
01-259-0010	Handle Grip	1	28	2	12-004-0801	Chute Mounting Angle	4	7	1
01-260-0300	Sheave	3	7	1	12-004-0801	Chute Mounting Angle	6	14	1
01-260-0320	Sheave	3	8	1	12-004-0841	Idler Adjustment	6	6	1
01-260-0330	Bushing	3	5	1	12-004-0851	Idler Mounting Bracket	6	5	1
01-260-0740	Bushing	3	6	1	12-004-0901	Connecting Arm	7	8	2
01-261-0120	Idler Spring	6	17	1	12-004-0911	Cutter Bar Washer	1	16	3
01-261-0290	Spring Rod Spring	7	12	1	12-004-1021	Idler Adjustment Plate	6	4	1
01-264-0080	Belt	3	9	2	12-004-1191	Cutter Bar	1	12	1
01-268-0020	Idler Pulley	6	2	1	12-004-1211	Apron Hinge Rod	5	5	1
01-282-0210	PTO	3	28	1	12-004-1331	Key	3	18	1
01-282-0260	Shield Bearing-outer	8	7	1	12-004-1341	Key	3	17	1
01-282-0270	Shield Bearing-inner	8	8	1	12-004-1411	Jackshaft Spacer	3	10	1
01-282-0290	Qd Pin	8	1	1	12-004-1521	Inner Guard	3	1	1
01-282-0300	Cross & Bearing	8	5	2	12-004-1561	Rubber Chute Seal	4	10	1
01-282-0310	Snap Ring	8	3	8	12-004-1581	Bearing Washer	1	15	4
01-282-0320	Grease Fitting	8	4	2	12-004-1601	Toggle Shaft Support	7	14	1
01-282-0330	Outer Yoke-tractor End	8	6	1	12-004-1631	Wedge	1	8	2
01-282-0340	Inner Yoke	8	9	1	12-004-1811	Key	3	15	1
01-282-0350	Unshielded Outer Half	8	11	1	12-004-1851	Safety Mounting Flap	5	8	1
01-282-0360	Unshielded Inner Half	8	12	1	12-004-1861	Safety Flap	5	2	8
01-282-0370	Shield Bearing-tractor End	8	13	1	12-005-0051	Blade Height Adj. Gauge	2	*	1
01-282-0380	Shield Bearing	8	14	1	12-005-0064	Base Assembly	1	1	1
01-282-0390	Outer Tube Cone-tractor End	8	15	1	12-005-0072	Apron Hinge	5	3	1
01-282-0400	Inner Tube Cone	8	16	1	12-005-0082	Drum Assembly	1	5	1
01-282-0410	Outer Tube Shielding	8	17	1	12-005-0094	Head Assembly	1	2	1
01-282-0420	Inner Tube Shielding	8	18	1	12-005-0102	Drum Hood Assembly	1	10	1
01-282-0430	Outer Shield Half	8	19	1	12-005-0123	Feed Plate Assembly	7	1	1
01-282-0440	Inner Shield Half	8	20	1	12-005-0142	Hitch Assembly	1	3	1
01-282-0450	Complete Shield	8	21	1	12-005-0163	Hopper Extension	5	1	1
01-282-0460	Shielded Outer Half	8	22	1	12-005-0171	Spring Rod	7	11	1
01-282-0470	Shielded Inner Half	8	23	1	12-005-0183	Throw Out Chute	4	4	1
01-282-0830	Qd Yoke	8	2	1	12-005-0192	Idler Adjustment	6	1	1
01-282-0850	Implement Yoke	8	10	1	12-005-0201	Top Guard	3	3	1
01-283-0220	Blade	1	9	2	12-005-0212	Toggle Shaft Assembly	7	7	1
01-286-0060	Sharpening Stone	2	*	1	12-005-0221	Idler Pin	6	16	1
01-506-0040	Decal - Danger	3	27	1	12-005-0232	Chute Take Off	4	1	1
01-506-0130	Decal - Danger	1	26	1	12-005-0241	Lower Guard	3	2	1
01-506-0270	Decal - Operating Instr.	6	23	2	12-005-1901	Bearing Cover	1	29	1
01-506-0290	Decal - Danger	4	23	2	3217-11	Hex Nut	1	23	4
01-506-0300	Decal - Danger	4	22	2	3217-12	Hex Nut	1	18	8
01-506-0310	Decal - Danger	5	12	1	3217-24	Hex Nut	7	5	6
01-506-0400	Decal - Danger	6	24	2	3217-6	Hex Nut	3	30	2

* Not Illustrated

PART NUMBER INDEX (Continued)

Part No.	Description	Pg. No.	Ref. No.	Qty.	Part No.	Description	Pg. No.	Ref. No.	Qty.
3217-7	Hex Nut	3	13	9	3253-5	Lock Washer	3	26	9
3217-7	Hex Nut	4	21	8	3253-5	Lock Washer	4	8	8
3217-7	Hex Nut	5	4	14	3253-5	Lock Washer	5	6	14
3217-7	Hex Nut	6	9	6	3253-5	Lock Washer	6	8	6
3217-9	Hex Nut	1	24	18	3253-7	Lock Washer	1	6	4
3217-9	Hex Nut	3	22	8	3253-7	Lock Washer	3	21	4
3217-9	Hex Nut	4	13	5	3253-7	Lock Washer	4	17	4
3217-9	Hex Nut	6	13	3	3253-7	Lock Washer	6	20	1
3217-9	Hex Nut	7	10	4	3253-7	Lock Washer	7	17	1
3218-5	Jam Nut	4	12	1	3253-8	Lock Washer	1	22	4
3218-5	Jam Nut	7	19	3	3256-4	Flat Washer	3	25	18
322-20	Capscrew - Hex Hd.	3	29	1	3256-4	Flat Washer	4	20	10
323-6	Capscrew - Hex Hd.	3	14	5	3256-4	Flat Washer	5	7	14
323-7	Capscrew - Hex Hd.	3	24	4	3256-4	Flat Washer	6	22	4
323-7	Capscrew - Hex Hd.	4	19	4	3256-6	Flat Washer	1	25	4
323-7	Capscrew - Hex Hd.	5	11	9	3256-6	Flat Washer	3	20	4
323-7	Capscrew - Hex Hd.	6	19	2	3256-6	Flat Washer	4	16	5
323-8	Capscrew - Hex Hd.	6	21	4	3256-6	Flat Washer	6	11	5
325-12	Capscrew - Hex Hd.	7	6	1	3256-6	Flat Washer	7	16	1
325-17	Capscrew - Hex Hd.	7	13	1	3256-7	Flat Washer	1	21	8
325-19	Capscrew - Hex Hd.	6	12	1	3256-7	Flat Washer	7	4	1
325-5	Capscrew - Hex Hd.	1	19	3	327-6	Capscrew - Hex Hd.	1	20	4
325-5	Capscrew - Hex Hd.	7	15	1	3272-23	Cotter Pin	6	18	3
325-6	Capscrew - Hex Hd.	4	15	5	328-5	Capscrew - Hex Hd.	1	27	2
325-7	Capscrew - Hex Hd.	7	9	2	328-7	Capscrew - Hex Hd.	1	17	2
325-8	Capscrew - Hex Hd.	3	19	4					

* Not Illustrated

PRODUCT CHANGES

In an effort to make improvements available to TORO owners as quickly as possible minor changes are incorporated into Toro's products from time to time that do not become immediately shown in the Parts Catalog. If such a change has been made in your unit which is not reflected in your manual see your TORO Distributor or an Authorized Service Dealer for information and part numbers.

IDENTIFICATION & ORDERING

MODEL AND NUMBERS

The COMMERCIAL CHIPPER 1200 has two identification numbers; a model number and a serial number. The two numbers are stamped on a plate which is located on the drum cover. In any correspondence concerning the Commercial Chipper 1200, supply model and serial numbers to assure that

correct information and replacement parts are obtained.

To order replacement parts from your TORO Distributor or an Authorized Service Dealer, supply the following information:

1. Model and serial number of the 1200.
2. Part number description and the quantity of part (s) desired.

TABLE OF CONTENTS

Description	Page	Description	Page
Base & Head Assembly	1 - 2	Idler Shaft Assembly	6
Drive System	3	Safety Throwout Assembly	7
Discharge Chute Assembly	4	PTO Assembly No. 01-282-0210	8
Hopper Chute Assembly	5	Part Number Index	9 - 10

