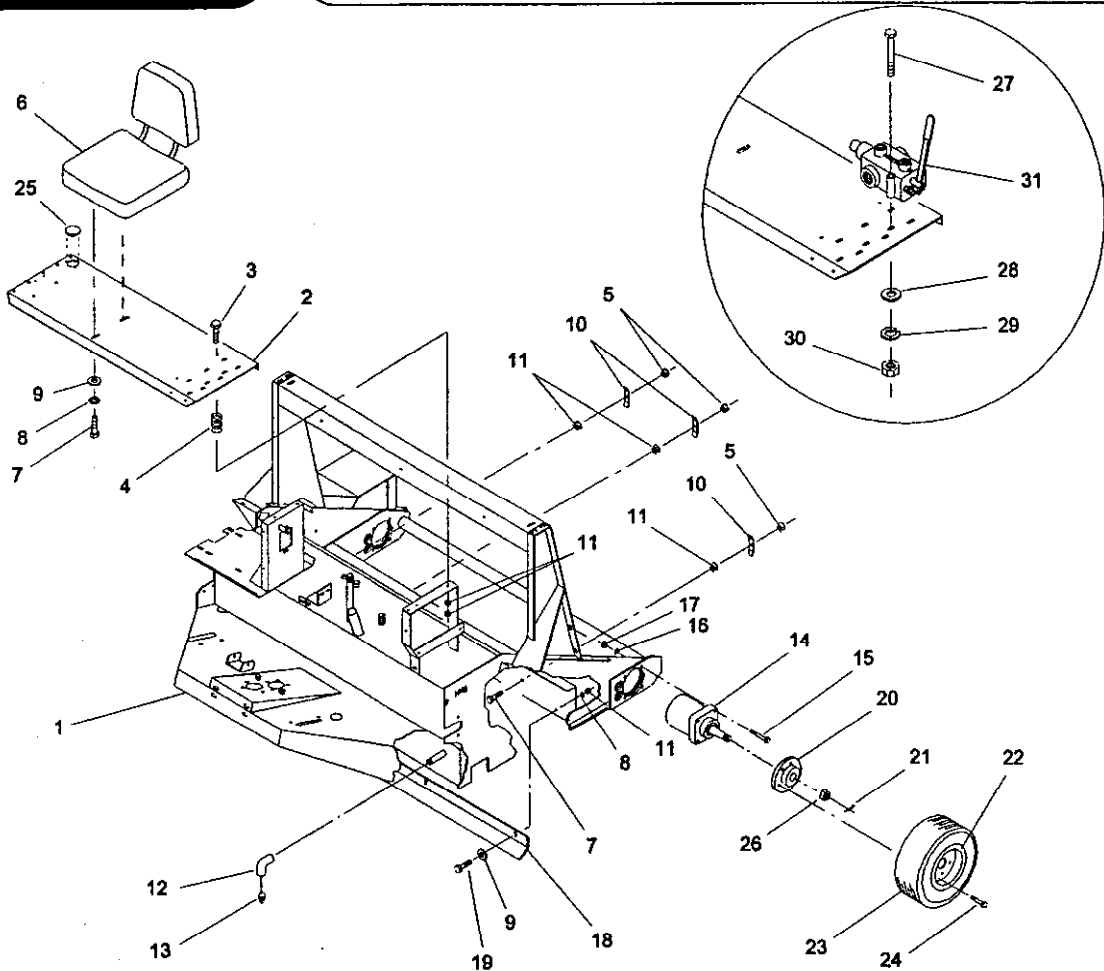




MODEL NO. 44020 - 50001 & UP

PARTS CATALOG

TURF SWEEPER 5400HL



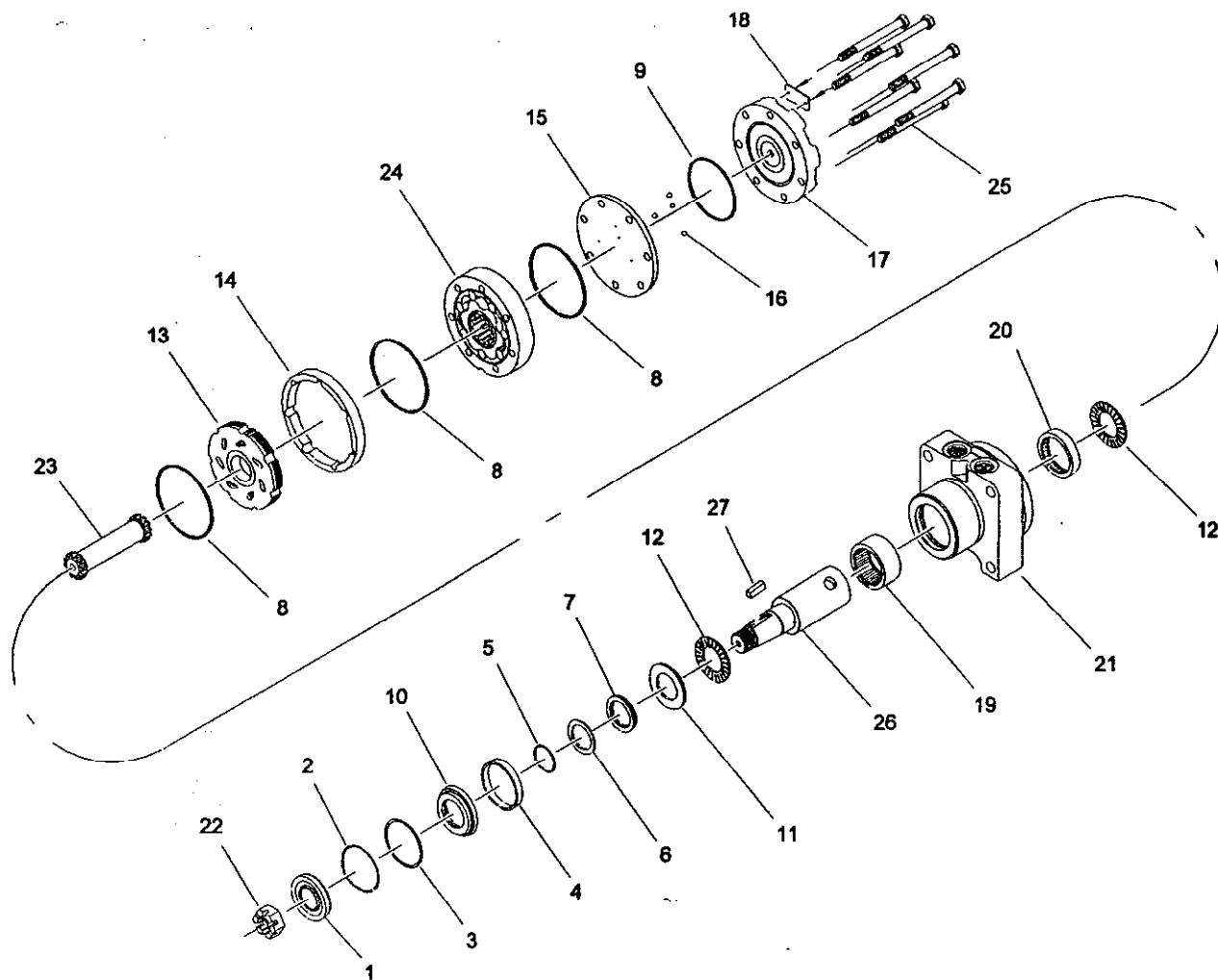
MAIN FRAME ASSEMBLY

54-001

Ref. No.	Part No.	Description	No. Used
1	54-005-0214	Main Frame	1
2	54-005-0231	Seat Bracket	1
3	323-10	Capscrew - Hex Hd.	4
4	01-261-0240	Spring	4
5	3296-39	Lock Nut	3
6	01-286-0220	Seat	1
7	01-182-0616	Capscrew - Hex Hd.	5
8	3253-5	Lock Washer	6
9	3256-4	Flat Washer	6
10	48-004-1861	Hose Hold Down Bracket	3
11	3217-7	Hex Nut	15
12	01-455-0100	Elbow	1
13	01-451-0010	Pipe Plug	1
14	01-304-0410	Hydraulic Motor (Incl. Ref. #26)	2
*	01-304-0260	Seal Kit	1
15	325-12	Capscrew - Hex Hd.	8
16	3253-7	Lock Washer	8
17	3217-9	Hex Nut	8

Ref. No.	Part No.	Description	No. Used
18	66-004-1621	Air Deflector	1
19	323-6	Capscrew - Hex Hd.	4
20	01-269-2540	Wheel Hub	2
21	01-151-0170	Cotter Pin	2
22	01-269-1020	Wheel	2
23	01-269-0330	Tire	2
24	01-158-2040	Lug Bolt	10
25	01-288-0020	Hour Meter	1
26	01-190-1620	Castle Nut (Incl. w/Ref. #14)	2
27	322-12	Capscrew - Hex Hd.	4
28	3256-3	Flat Washer	4
29	3253-4	Lock Washer	4
30	3217-6	Hex Nut	4
31	01-308-0050	Valve	2
*	01-308-0130	Seal Kit	1

* Not Illustrated



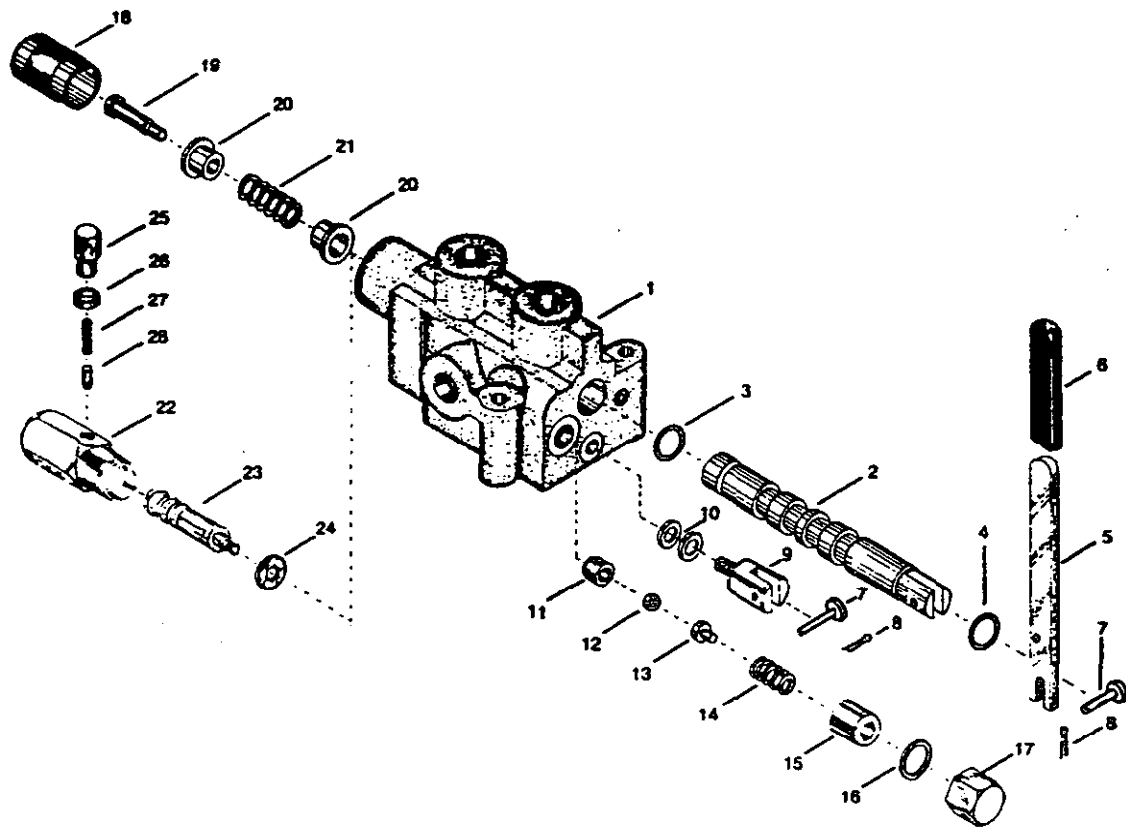
HYDRAULIC MOTOR - NO. 01-304-0410

HYDM0410

Ref. No.	Part No.	Description	No. Used
1		Dust Seal	1
2		Snap Ring	1
3		Backup Shim	1
4		Lathe Cut Seal	1
5		Backup Shim	1
6		Teflon Backup	1
7		Shaft Seal	1
8		Body Seal	3
9		Endcover Seal	1
10		Seal Carrier	1
11		Thrust Washer	1
*	01-304-0260	Seal Kit (Incl. #1 - 11)	1
12	01-304-0660	Thrust Bearing	2
13	01-304-1560	Manifold (CCW)	1
14	01-304-1550	Manifold Boot	1

Ref. No.	Part No.	Description	No. Used
15		Balance Plate	1
16		Ball (3/16" steel)	4
*	01-304-1570	Balance Plate Kit (Incl. #15,16)	1
17	01-304-1580	Endcover	1
18		I. D. Tag Assembly	1
19		Roller Bearing	1
20		Roller Bearing	1
21		Housing	1
*	01-304-0840	Housing Kit (Incl. #19 - 21)	1
22	01-190-1620	Castle Nut	1
23	01-304-0850	Drive Link	1
24	01-304-0860	Rotor Set	1
25	01-304-0870	Bolt Set (7)	1
26	01-304-0490	Shaft	1
27	01-304-0880	Shaft Key	1

* Not Illustrated

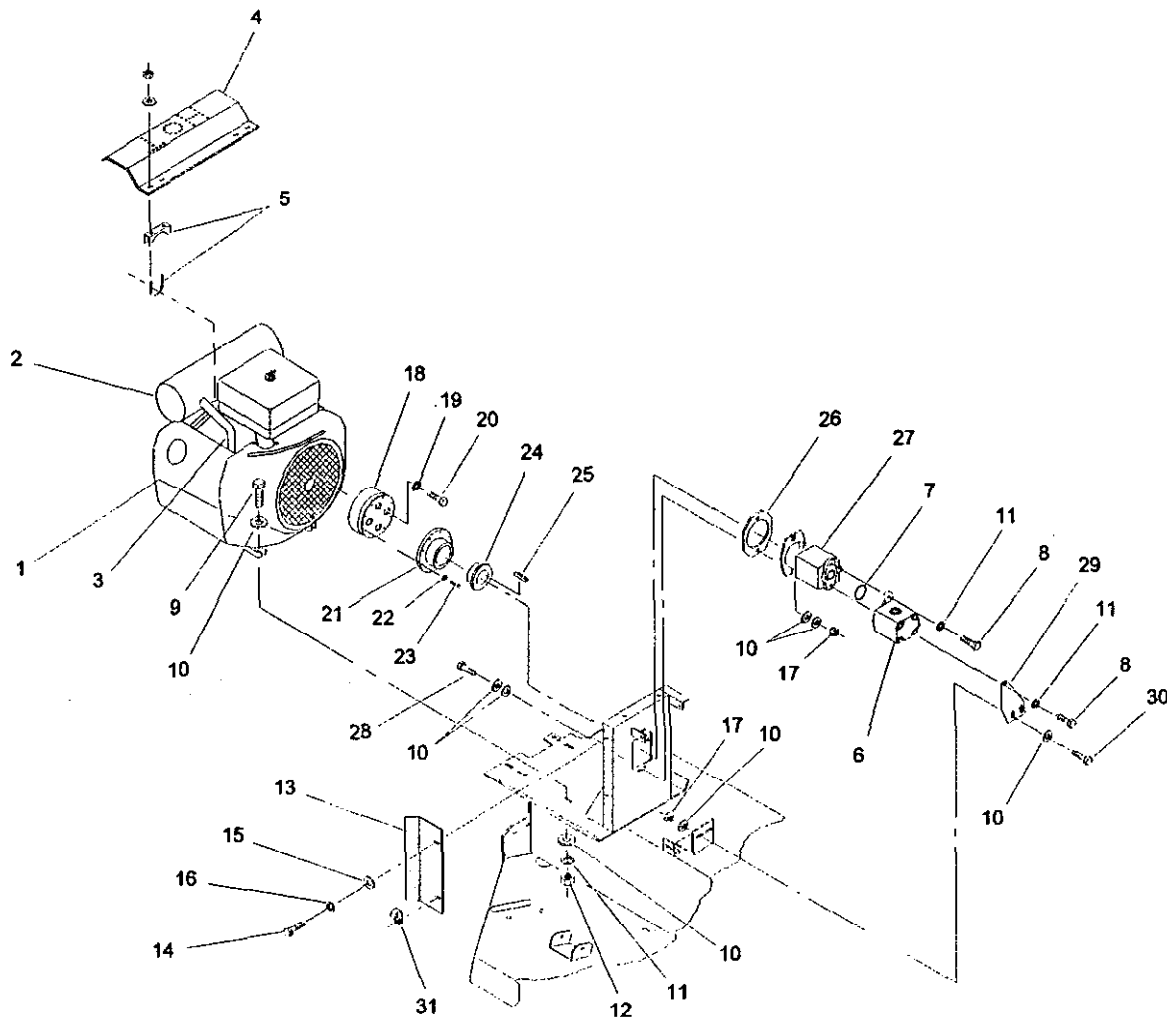


HYDRAULIC VALVE - NO. 01-308-0050

VLE-0050

Ref. No.	Part No.	Description	No. Used	Ref. No.	Part No.	Description	No. Used
1		Casting, Body	1	18		Cap	1
2		Spool, 4-way	1	19		Bolt, Shoulder	1
3		O-Ring, Spool	1	20		Stop, Spool	2
4		O-Ring, Casting	1	21		Spring	1
5	01-308-0190	Lever	1	*	01-308-0140	Spring Centered Assembly Kit (Incl. Ref. # 18-21)	1
6		Knob	1	22		Cap, Detent	1
7	01-308-1750	Pin	2	23		Bolt, Detent	1
8		Cotter Pin	2	24		Stop, Spool	1
9		Pivot Clevis	1	25		Cap, Point	1
10		Washer	2	26		Washer	1
11		Seal	1	27		Spring	1
12		Ball	1	28		Point	1
13		Socket, Ball	1				
14		Spring	1	*	01-308-0150	Detent Kit (Incl. Ref. # 22-28)	1
15		Screw, Adjustment	1	*	01-308-0130	Valve Repair Kit	1
16	01-169-0070	Washer	1				
17		Cap, Relief	1				

* Not Illustrated



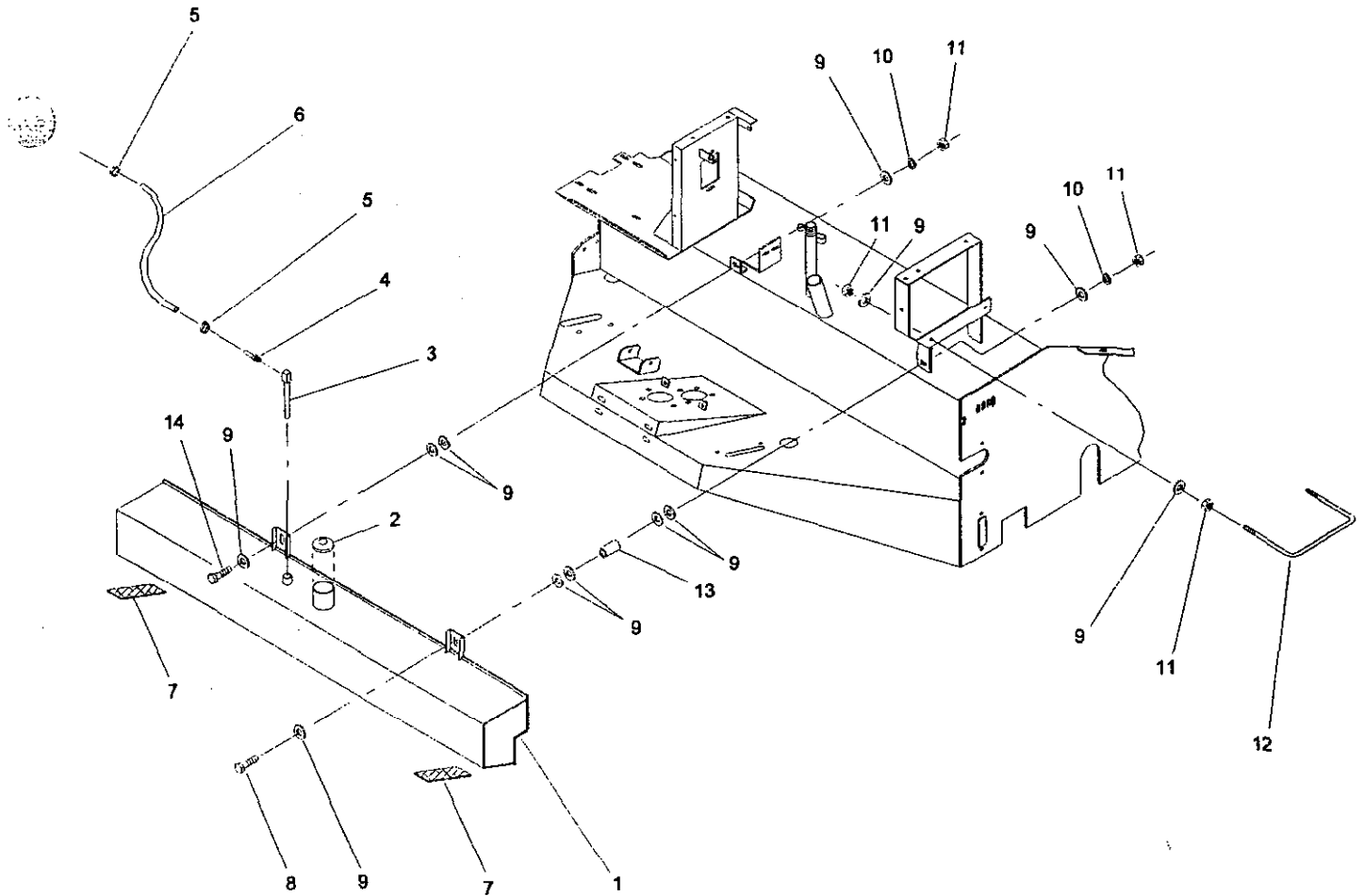
ENGINE MOUNTING

54-005

Ref. No.	Part No.	Description	No. Used
1	01-270-2260	Engine	1
*	01-600-0050	Battery Cable (neg.)	1
*	01-600-0190	Battery Cable (pos.)	1
2	01-273-0260	Muffler	1
3	01-273-0280	Muffler Tube-long	1
*	01-273-0270	Muffler Tube-short	1
4	54-004-1401	Muffler Guard	1
5	01-170-0150	Clamp	2
6	01-305-0020	Sundstrand Pump	1
*	01-305-0600	Seal Kit	1
7	01-402-0230	O-Ring	1
8	323-7	Capscrew - Hex Hd.	2
9	323-8	Capscrew - Hex Hd.	4
10	3256-4	Flat Washer	20
11	3253-5	Lock Washer	6
12	3217-7	Hex Nut	2
13	48-004-6391	Flywheel Guard	1
14	321-6	Capscrew - Hex Hd.	2
15	3256-2	Flat Washer	2

Ref. No.	Part No.	Description	No. Used
16	3253-3	Lock Washer	2
17	3296-39	Lock Nut	6
18	48-004-5062	Engine Adaptor	1
19	3253-4	Lock Washer	4
20	322-6	Capscrew - Hex Hd.	4
21	01-265-0180	Flex Coupling	1
22	01-169-0010	Lock Washer	8
23	01-158-0150	Capscrew - Socket Hd.	8
24	01-260-0900	"H" Bushing	1
25	48-004-5071	Key	1
26	48-004-5521	Cessna Pump Spacer	1
27	01-305-0090	Cessna Pump	1
*	48-005-0641	Tow Valve Handle	1
*	01-163-0100	Set Screw	1
*	01-305-0080	Seal Kit	1
28	323-10	Capscrew - Hex Hd.	2
29	54-004-1111	Pump Support	1
30	323-6	Capscrew - Hex Hd.	2
31	01-202-0190	Cable Clamp	1

* Not Illustrated

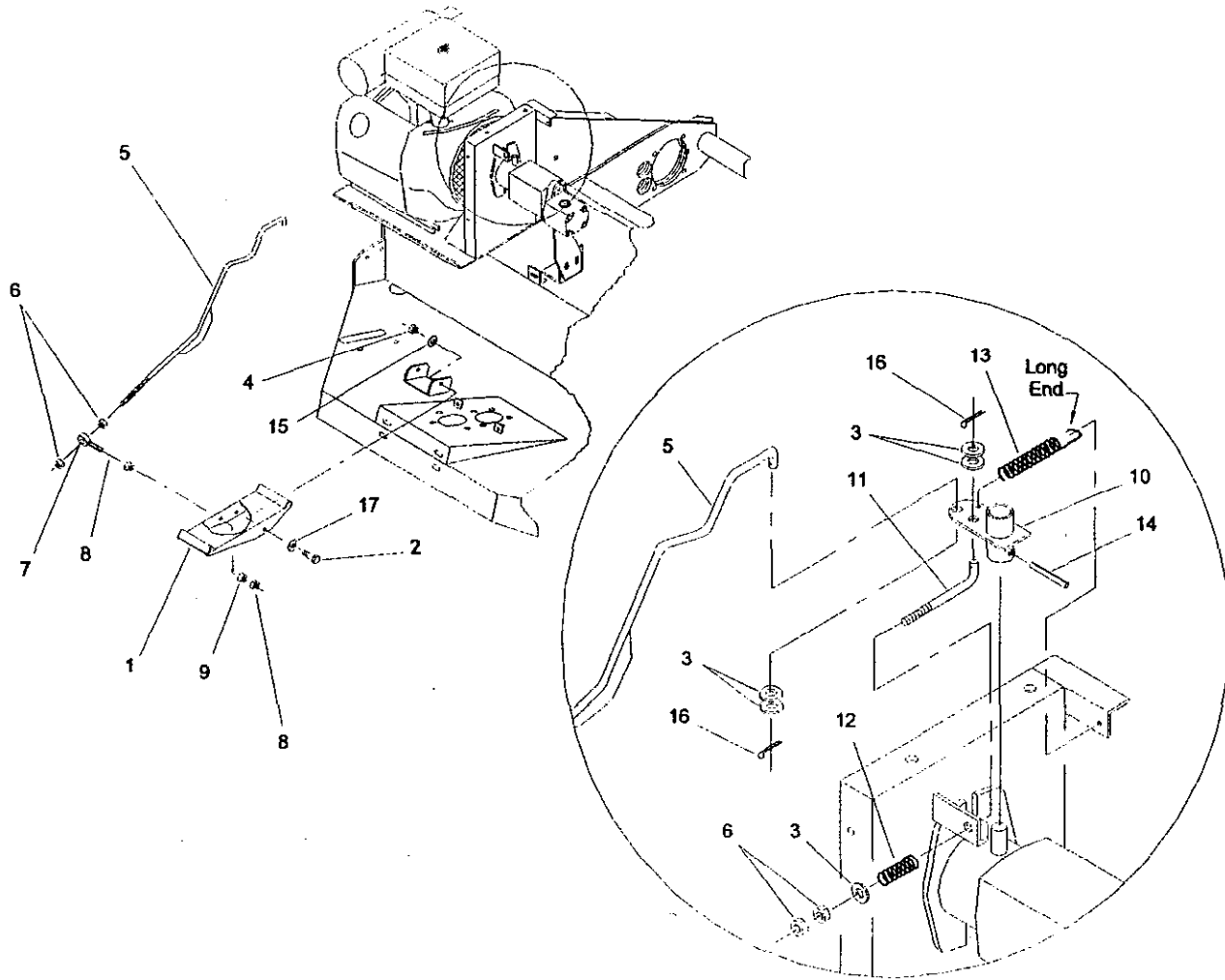


GAS TANK & BATTERY HOLD DOWN

54-007

Ref. No.	Part No.	Description	No. Used
1	48-005-0712	Gas Tank	1
2	01-280-0020	Gas Cap - Type A - Vented	1
3	01-280-0190	Tank Withdrawal Assembly	1
4	01-217-0060	Hose Barb	1
5	01-202-0030	Hose Clamp	2
6	48-004-4111	Fuel Line	1
7	48-004-5131	PVK80 Rubber	2

Ref. No.	Part No.	Description	No. Used
8	323-12	Capscrew - Hex Hd.	1
9	3256-4	Flat Washer	16(var)
10	3253-5	Lock Washer	2
11	3217-7	Hex Nut	6
12	48-004-3831	Battery Hold Down	1
13	48-004-3191	Spacer	1
14	323-7	Capscrew - Hex Hd.	1

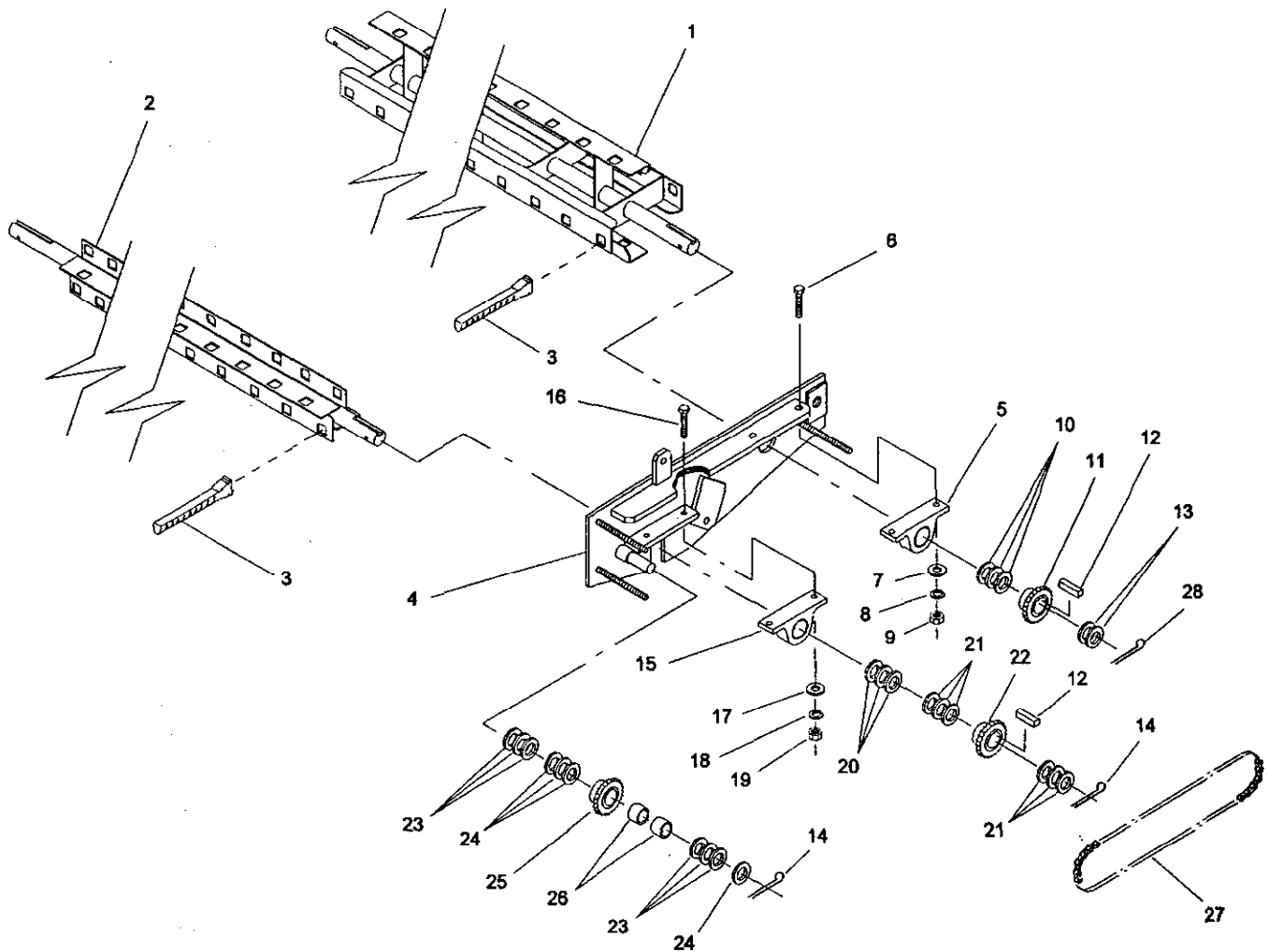


FOOT PEDAL & PUMP CONTROL ROD ASSEMBLY

48-003

Ref. No.	Part No.	Description	No. Used
1	48-005-0621	Foot Pedal	1
2	01-158-0270	Shoulder Bolt	2
3	3256-4	Flat Washer	5
4	01-189-0518	Lock Nut	2
5	54-005-1621	Control Rod	1
6	3217-7	Hex Nut	4
7	01-250-0020	Rod End Bearing	1
8	3220-3	Jam Nut	2
9	3219-3	Hex Nut	1

Ref. No.	Part No.	Description	No. Used
10	48-005-0241	Pump Control Arm Assembly	1
11	48-004-2601	Spring Rod	1
12	01-261-0330	Spring	1
13	01-261-0930	Spring	1
14	32121-12	Roll Pin	1
15	3256-2	Flat Washer	2
16	3272-11	Cotter Pin	2
17	3256-3	Flat Washer	2

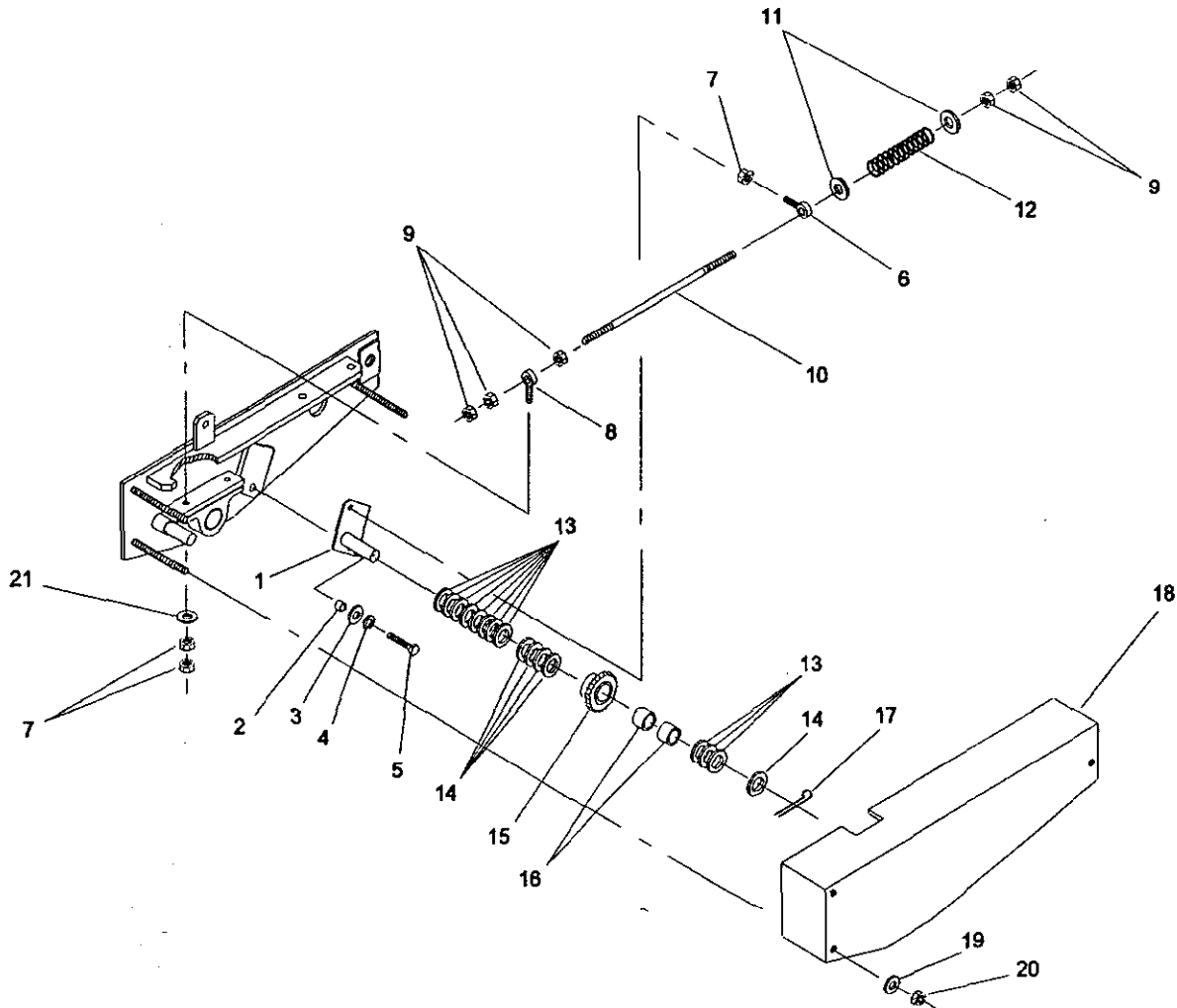


SWEEPER REEL & TIMING CHAIN ASSEMBLY

48-008

Ref. No.	Part No.	Description	No. Used	Ref. No.	Part No.	Description	No. Used
1	66-005-0242	Rear Reel Assembly	1	16	323-8	Capscrew - Hex Hd.	1
2	66-005-0231	Front Reel Assembly	1	17	3256-24	"SAE" Flat Washer	1
3	01-279-0010	Rubber Fingers	140	18	3253-5	Lock Washer	1
4	48-005-0182	Reel Plate Assembly- L.H.	1	19	3217-7	Hex Nut	1
5	01-113-0020	Bearing	1	20	01-168-1610	Machinery Bushing	3(var)
6	325-7	Capscrew - Hex Hd.	2	21	01-168-1614	Machinery Bushing	6(var)
7	3256-26	"SAE" Flat Washer	2	22	01-262-0530	Sprocket	1
8	3253-7	Lock Washer	2	23	01-168-1410	Machinery Bushing	6(var)
9	3217-9	Hex Nut	2	24	01-168-1414	Machinery Bushing	4(var)
10	01-168-2014	Machinery Bushing	3(var)	25	01-262-0610	Sprocket	1
11	01-262-0520	Sprocket	1	26	01-105-0520	Needle Bearing	2
12	48-004-1931	Key	2	*	48-002-5441	Idler Sprocket Assembly (Incl. Ref. #25, 26)	1
13	01-168-2010	Machinery Bushing	2	27	54-004-0941	Reel Chain, #50	1
14	3272-23	Cotter Pin	3	*	01-251-0020	Offset Link	1
15	01-113-0010	Bearing	1				

*Not Illustrated



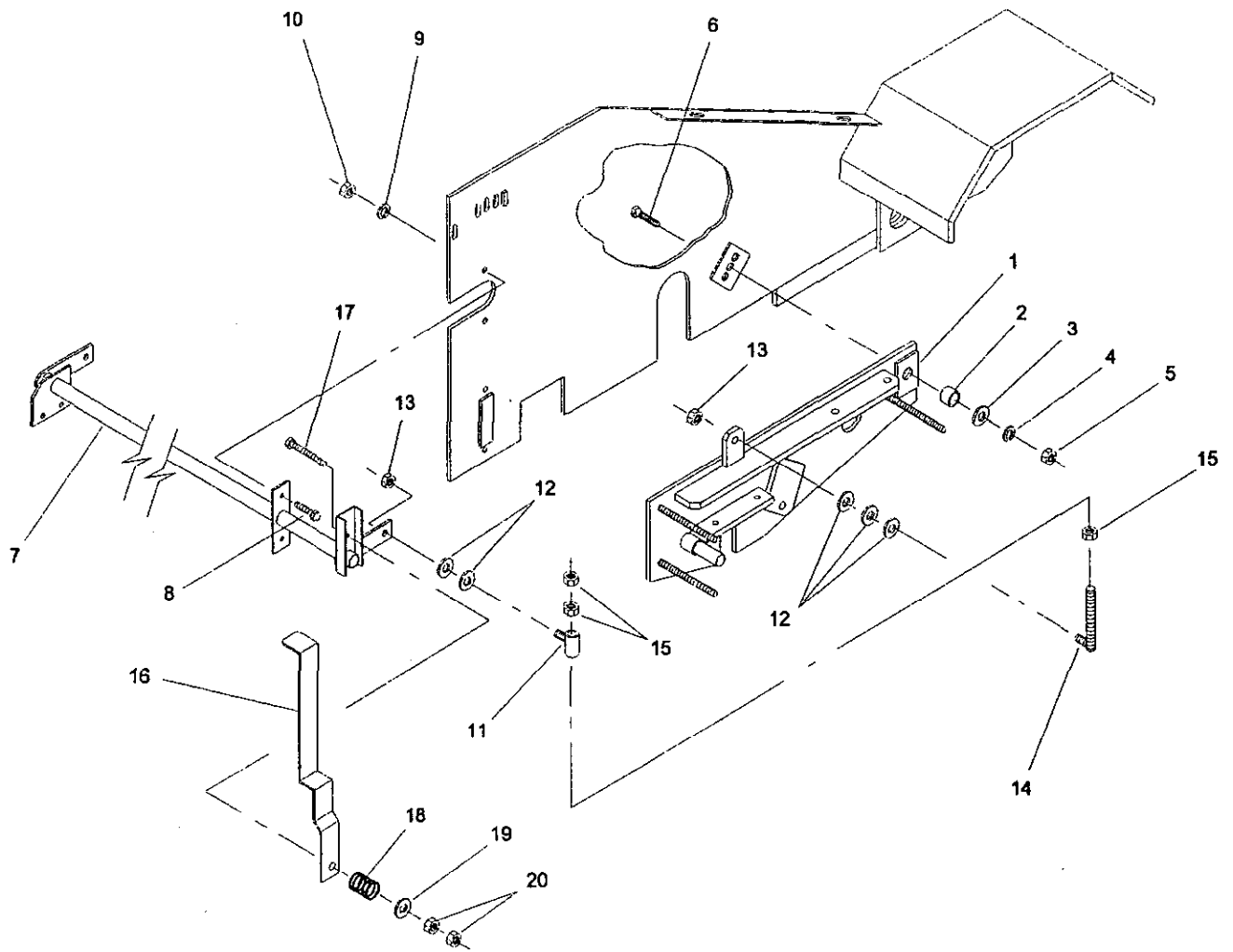
CHAIN IDLER & GUARD ASSEMBLY

48-009

Ref. No.	Part No.	Description	No. Used
1	48-005-0191	Idler Shaft Assembly	1
2	48-004-3881	Spacer	1
3	3256-26	"SAE" Flat Washer	1
4	3253-7	Lock Washer	1
5	325-5	Capscrew - Hex Hd.	1
6	02-250-0020	Rod End Bearing (short)	1
7	3220-3	Jam Nut	3
8	01-250-0020	Rod End Bearing	1
9	3217-7	Hex Nut	5
10	48-004-3891	Idler Spring Rod	1
11	3256-4	Flat Washer	2
12	01-261-0300	Spring	1
13	01-168-1410	Machinery Bushing	11(var)

Ref. No.	Part No.	Description	No. Used
14	01-168-1414	Machinery Bushing	5(var)
15	01-262-0610	Sprocket	1
16	01-105-0520	Needle Bearing	2
*	48-002-5441	Idler Sprocket Assembly (Incl. Ref. # 15, 16)	1
17	3272-23	Cotter Pin	1
18	48-005-0162	Idler Cover	1
19	3256-5	Flat Washer	3
20	3296-48	Lock Nut	3
21	3256-24	"SAE" Flat Washer	1

* Not Illustrated

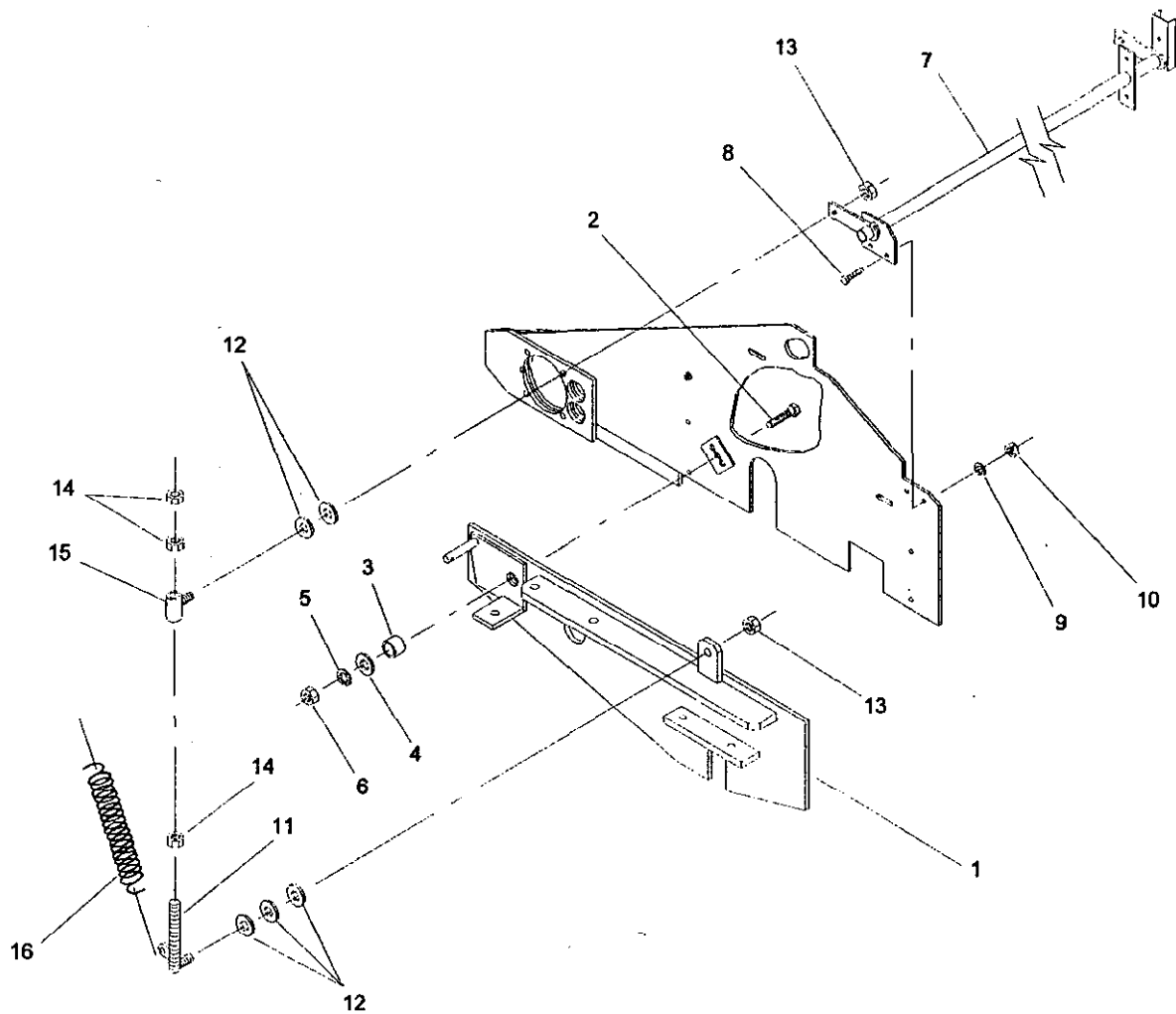


REEL LIFT ASSEMBLY - L.H.

54-010

Ref. No.	Part No.	Description	No. Used
1	48-005-0182	Reel Plate Assembly-L.H.	1
2	48-004-5841	Reel Plate Spacer	1
3	3256-27	"SAE" Flat Washer	1
4	3253-8	Lock Washer	1
5	3218-6	Jam Nut	1
6	327-6	Capscrew - Hex Hd.	1
7	54-005-0131	Reel Lift Assembly	1
8	323-6	Capscrew - Hex Hd.	2
9	3253-5	Lock Washer	2
10	3217-7	Hex Nut	2

Ref. No.	Part No.	Description	No. Used
11	48-005-0591	Reel Lift Tube Assembly	1
12	3256-6	Flat Washer	5
13	01-189-0813	Lock Nut	2
14	48-005-0231	Reel Lift Rod Assembly-L.H.	1
15	3217-11	Hex Nut	3
16	48-005-0222	Handle	1
17	323-11	Capscrew - Hex Hd.	1
18	01-261-0240	Spring	1
19	3256-4	Flat Washer	1
20	3218-3	Jam Nut	2

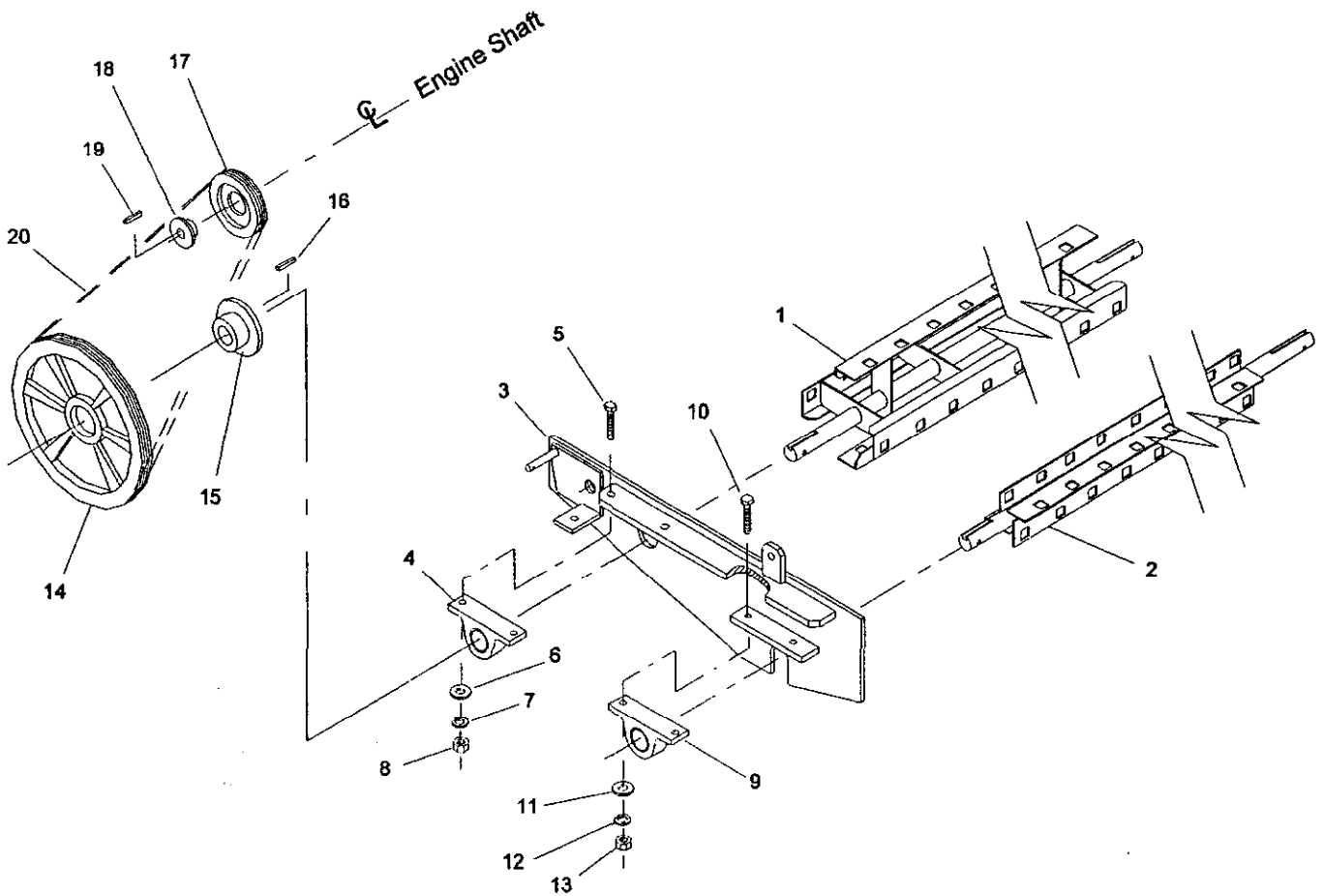


REEL LIFT ASSEMBLY - R.H.

48-011

Ref. No.	Part No.	Description	No. Used
1	48-005-0172	Reel Plate Assembly-R.H.	1
2	327-6	Capscrew - Hex Hd.	1
3	48-004-5841	Reel Plate Spacer	1
4	3256-27	"SAE" Flat Washer	1
5	3253-8	Lock Washer	1
6	3218-6	Jam Nut	1
7	54-005-0131	Reel Lift Assembly	1
8	323-6	Capscrew - Hex Hd.	2

Ref. No.	Part No.	Description	No. Used
9	3253-5	Lock Washer	2
10	3217-7	Hex Nut	2
11	48-005-5781	Reel Lift Rod Assembly-R.H.	1
12	3256-6	Flat Washer	5
13	01-189-0813	Lock Nut	2
14	3217-11	Hex Nut	3
15	48-005-0591	Reel Lift Tube Assembly	1
16	01-261-0340	Spring	1

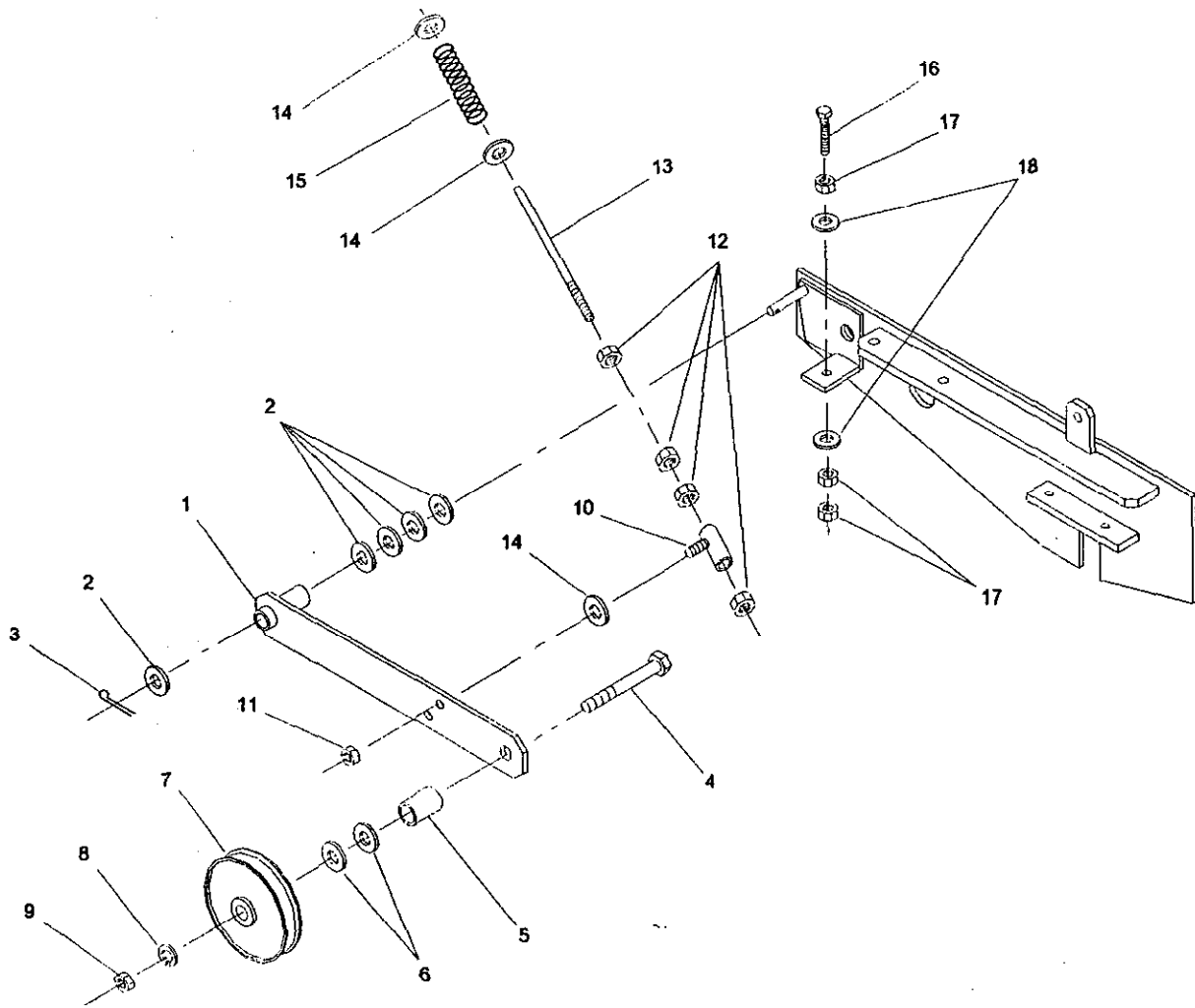


BELT DRIVE ASSEMBLY

54-012

Ref. No.	Part No.	Description	No. Used
1	66-005-0242	Rear Reel Assembly	1
2	66-005-0231	Front Reel Assembly	1
3	48-005-0172	Reel Plate Assembly-R.H.	1
4	01-113-0020	Bearing	1
5	325-7	Capscrew - Hex Hd.	2
6	3256-26	"SAE" Flat Washer	2
7	3253-7	Lock Washer	2
8	3217-9	Hex Nut	2
9	01-113-0010	Bearing	1
10	323-8	Capscrew - Hex Hd.	2

Ref. No.	Part No.	Description	No. Used
11	3256-24	"SAE" Flat Washer	2
12	3253-5	Lock Washer	2
13	3217-7	Hex Nut	2
14	01-260-0010	Sheave	1
15	01-260-0290	Bushing	1
16	66-004-3211	Key	1
17	01-260-0110	Sheave	1
18	01-260-0780	Bushing	1
19	82-004-1171	Key	1
20	01-264-0230	Belt	1

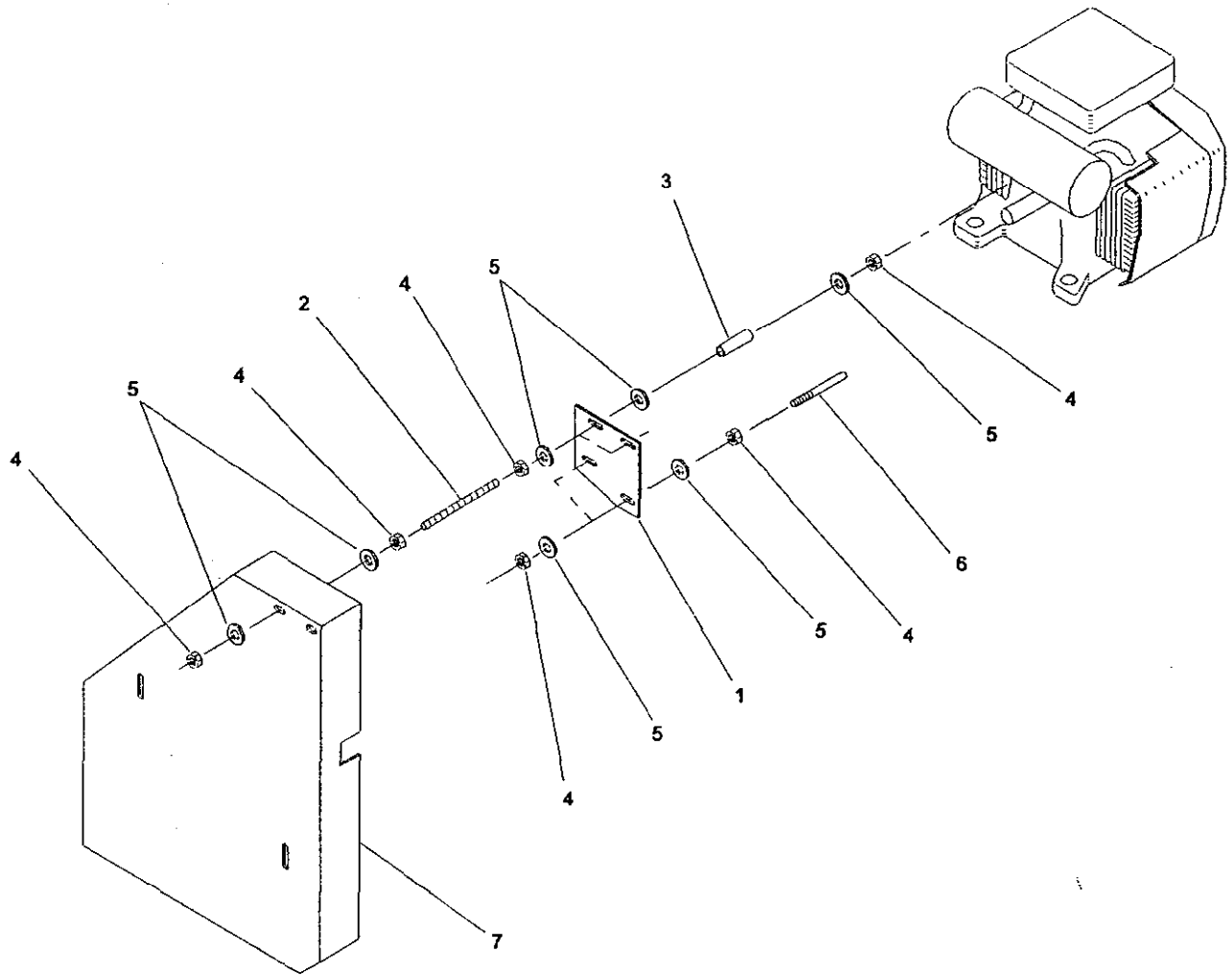


BELT IDLER ASSEMBLY

48-018

Ref. No.	Part No.	Description	No. Used
1	48-005-0611	Idler Arm	1
2	01-168-1014	Machinery Bushing	5
3	3272-21	Cotter Pin	1
4	327-14	Capscrew - Hex Hd.	1
5	48-004-3471	Spacer	1
6	3256-7	Flat Washer	3
7	01-268-0010	Pulley	1
8	3253-8	Lock Washer	1
9	3217-11	Hex Nut	1

Ref. No.	Part No.	Description	No. Used
10	48-005-0121	Spring Tension Adjustment	1
11	3296-39	Lock Nut	1
12	3217-7	Hex Nut	4
13	48-004-1711	Idler Spring Rod	1
14	3256-4	Flat Washer	3
15	01-261-0300	Spring	1
16	01-182-0832	Capscrew - Hex Hd.	1
17	3217-9	Hex Nut	3
18	3256-6	Flat Washer	2

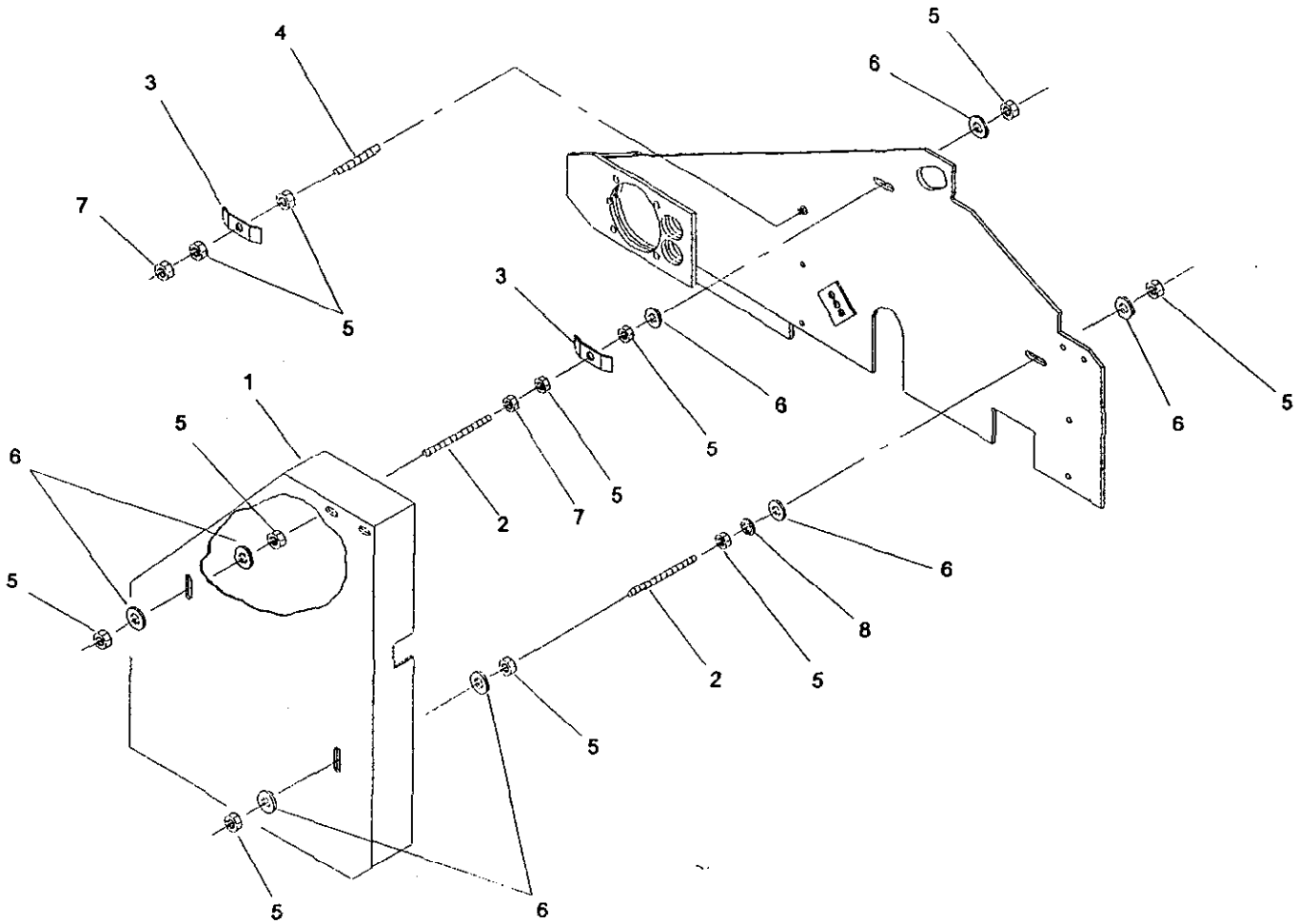


BELT SLIP BRACKET

54-014

Ref. No.	Part No.	Description	No. Used
1	54-004-1331	Belt Slip Bracket	1
2	01-650-0150	All Thread	2
3	48-004-6271	Spacer	2
4	3217-7	Hex Nut	12

Ref. No.	Part No.	Description	No. Used
5	3256-4	Flat Washer	14
6	48-004-1211	Belt Slip Pin	2
7	54-005-1611	Belt Guard	1

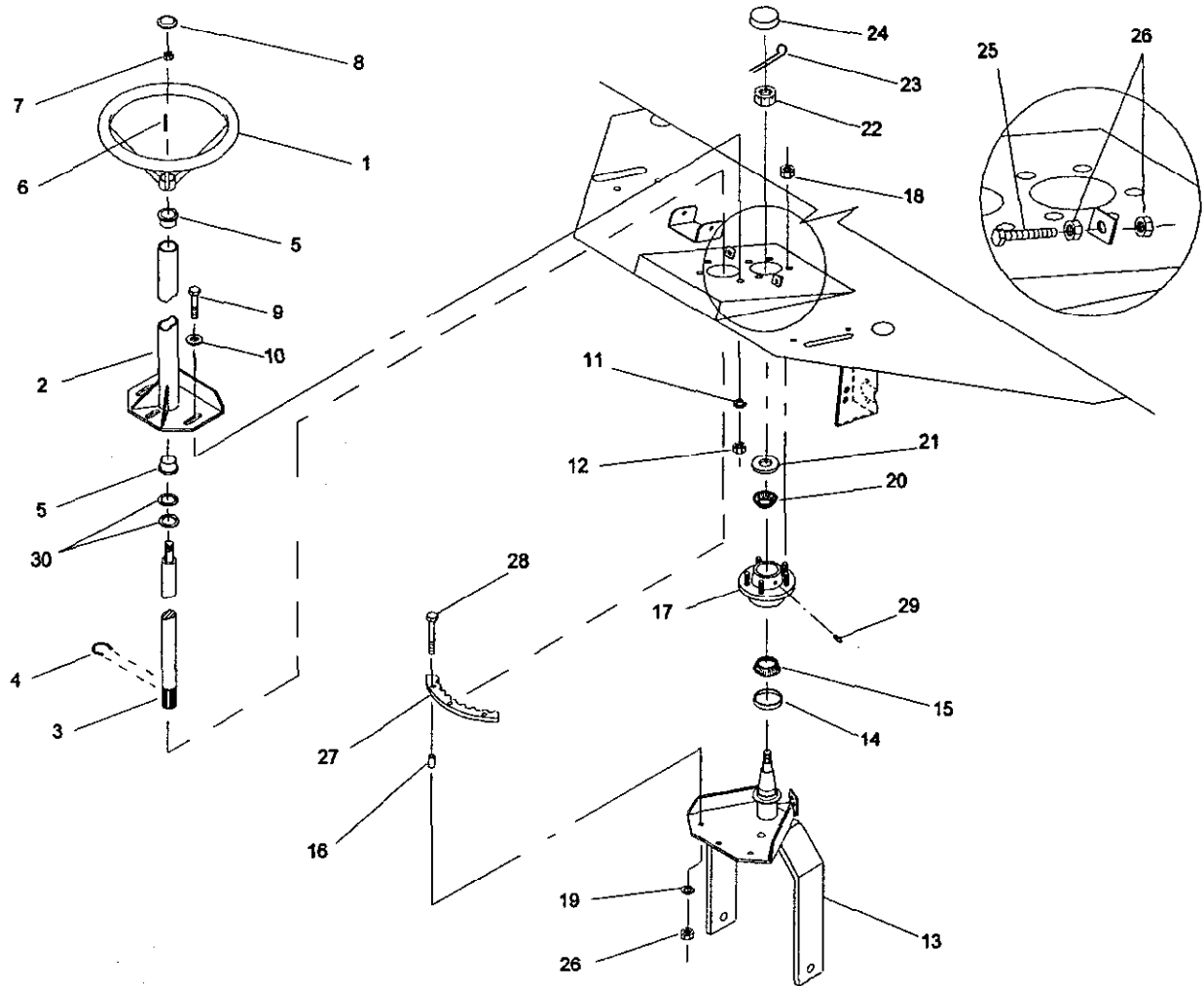


BELT GUARD & HOSE BRACKETS

48-015

Ref. No.	Part No.	Description	No. Used
1	54-005-1611	Belt Guard	1
2	01-650-0440	All Thread	2
3	48-004-1861	Hose Hold Down Bracket	2
4	01-650-0280	All Thread	1

Ref. No.	Part No.	Description	No. Used
5	3217-8	Hex Nut	10
6	3256-5	Flat Washer	8
7	3218-4	Jam Nut	3
8	3253-6	Lock Washer	1



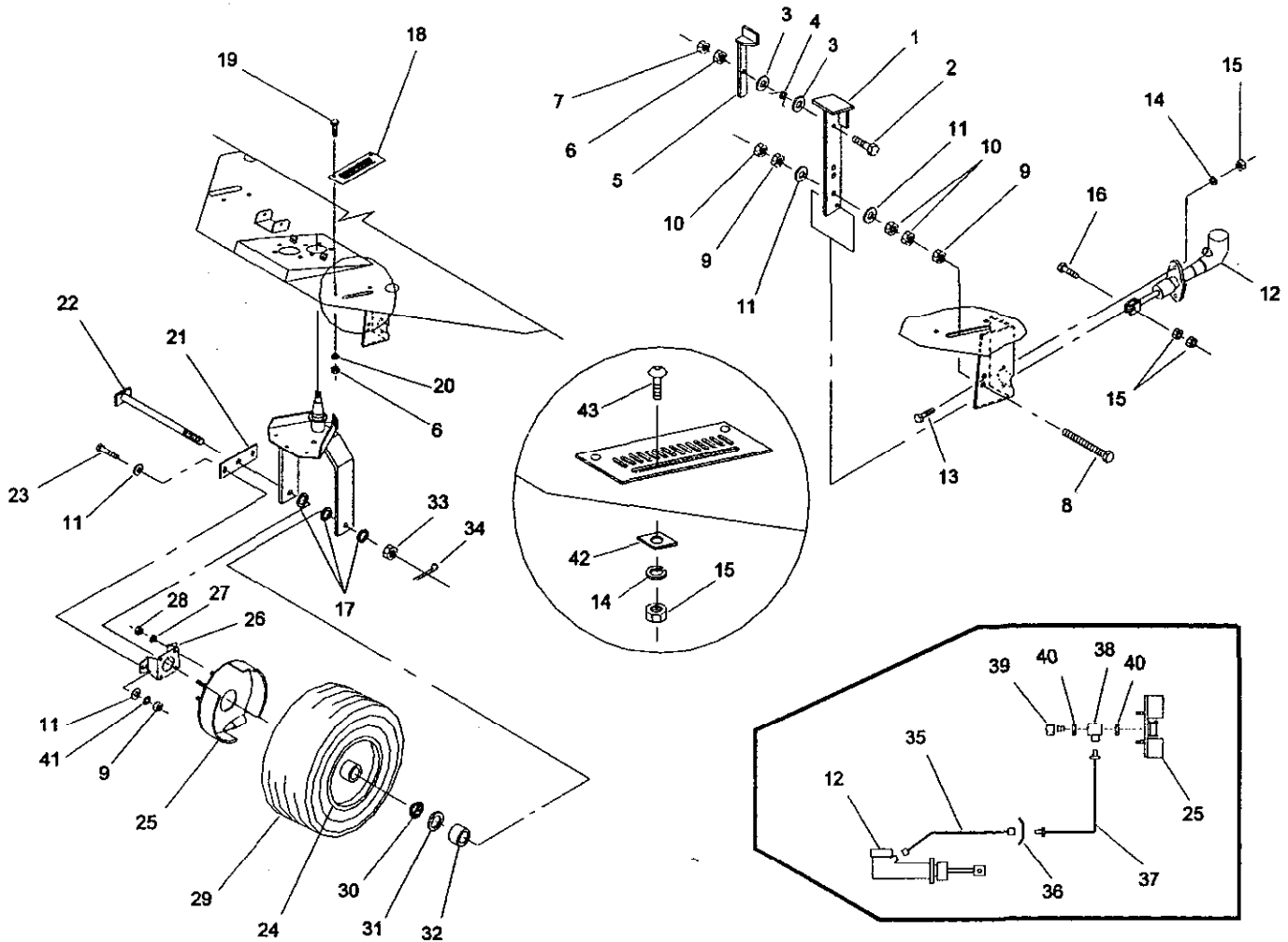
STEERING ASSEMBLY

48-016

Ref. No.	Part No.	Description	No. Used
1	01-286-0130	Steering Wheel	1
2	54-005-1521	Steering Column Assembly	1
*	54-002-0011	Steering Column Assembly w/bushing (Incl. Ref. # 2,5)	1
3	54-004-1501	Steering Shaft	1
4	01-160-0410	Retaining Ring	1
5	01-126-0110	Bushing, Oilite	2
6	48-004-1961	Key	1
7	3220-7	Jam Nut	1
8	01-286-0030	Cover Plate	1
9	325-6	Capscrew - Hex Hd.	3
10	3256-6	Flat Washer	3
11	3253-7	Lock Washer	3
12	3217-9	Hex Nut	3
13	54-005-0242	Steering Yoke Assembly	1
14	01-405-0370	Seal	1
15	01-102-0050	Bearing	1
16	48-004-4651	Sector Spacer	3

Ref. No.	Part No.	Description	No. Used
17	01-269-0140	Steering Hub , complete (Incl. Ref. #14,15,18,20,24)	1
18	01-269-0300	Lug Nut	5
19	3253-5	Lock Washer	3
20	01-102-0070	Bearing	1
21	3256-28	"SAE" Flat Washer	1
22	01-190-1216	Castle Nut	1
23	3272-15	Cotter Pin	1
24	01-286-0040	Grease Cap	1
25	01-182-0620	Capscrew - Hex Hd.	2
26	3217-7	Hex Nut	7
27	48-004-1282	Steering Yoke Gear	1
28	323-11	Capscrew - Hex Hd.	3
29	01-215-0050	Grease Fitting	1
30	01-168-2010	Machinery Bushing	2

* Not Illustrated



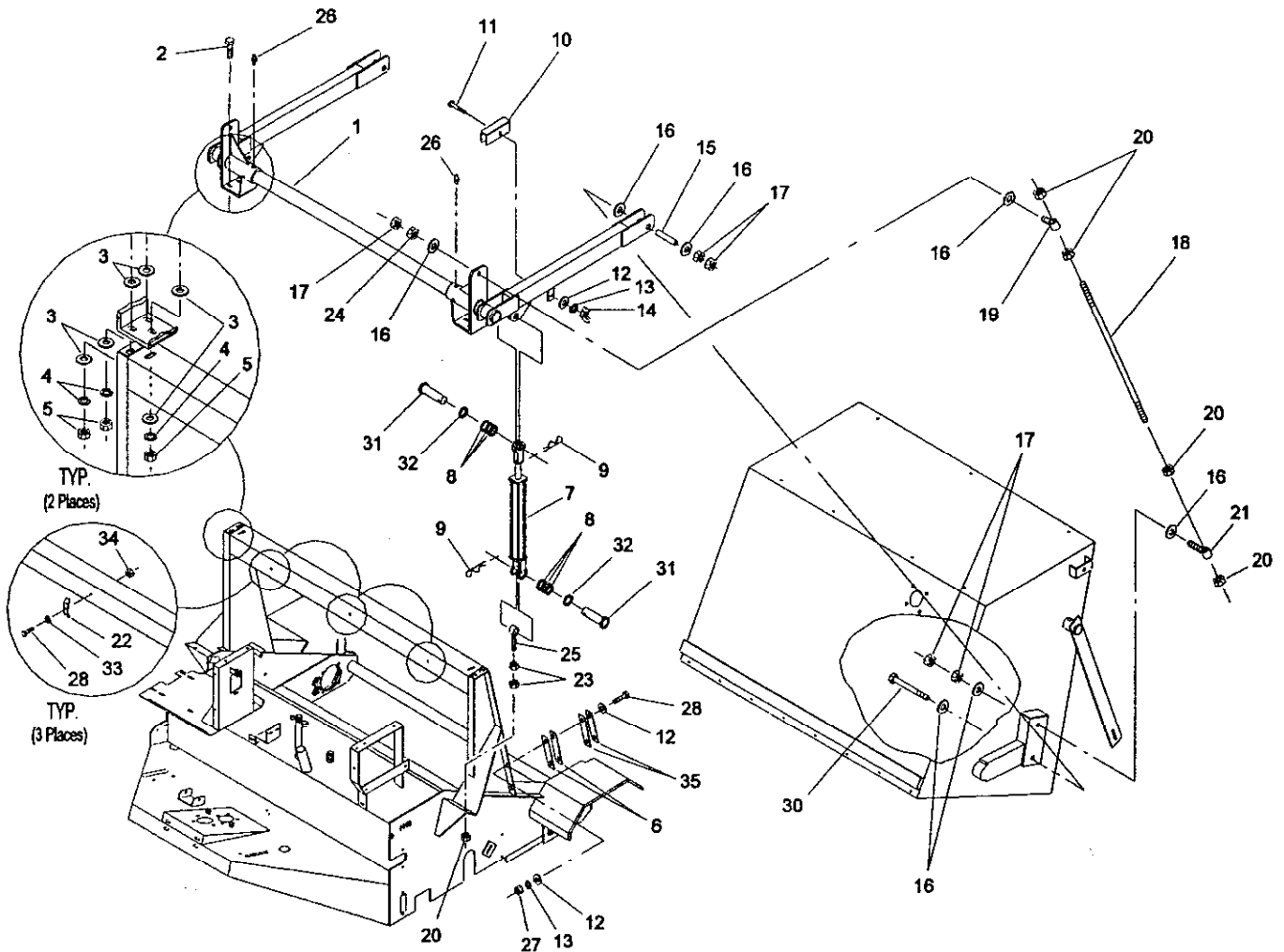
BRAKE SYSTEM

48-017

Ref. No.	Part No.	Description	No. Used
1	48-005-0671	Brake Pedal	1
2	323-9	Capscrew - Hex Hd.	1
3	3256-4	Flat Washer	2
4	01-261-0050	Spring	1
5	48-005-0781	Brake Stop Weldment	1
6	3217-7	Hex Nut	3
7	3218-3	Jam Nut	1
8	01-182-0824	Capscrew - Hex Hd.	1
9	3217-9	Hex Nut	4
10	3218-5	Jam Nut	3
11	3256-6	Flat Washer	6
12	01-314-0290	Hydraulic Brake Cylinder	1
13	322-6	Capscrew - Hex Hd.	2
14	3253-4	Lock Washer	3
15	3217-6	Hex Nut	5
16	322-5	Capscrew - Hex Hd.	1
17	01-168-1210	Machinery Bushing	3
18	48-004-6241	Brake Stop Plate	1
19	323-6	Capscrew - Hex Hd.	2
20	3253-5	Lock Washer	2
21	54-005-0261	Brake Mount	1
22	54-005-0251	Axle	1
23	325-6	Capscrew - Hex Hd.	2
24	54-005-0282	Front Wheel	1
25	01-314-0300	Hydraulic Brake Assembly	1
*	01-266-0080	Wheel Cylinder Assembly	1

Ref. No.	Part No.	Description	No. Used
*	01-314-0500	Wheel Cylinder Repair Kit	1
*	01-314-0540	Capscrew - Socket Hd.	2
*	01-314-0430	Brake Shoe	2
*	01-314-0470	Brake Shoe Lever	2
*	01-314-0480	Brake Shoe Spring	2
*	01-314-0460	Anchor Pin	2
*	01-160-0380	Retaining Ring	2
*	01-314-0490	Adjusting Screw Assembly	2
*	01-314-0550	Shoulder Bolt	4
26	54-004-1241	Brake Shoe Bracket	1
27	3253-6	Lock Washer	4
28	3217-8	Hex Nut	4
29	01-269-0320	Front Tire	1
30	254-78	Bearing	2
31	01-405-0460	Seal	2
32	01-269-0060	Axle Spacer	2
33	01-190-1210	Castle Nut	1
34	3272-23	Cotter Pin	1
35	01-314-0020	Hydraulic Brake Hose	1
36	01-314-0070	Brake Line Clip	1
37	01-314-0330	Hydraulic Brake Line	1
38	01-314-0360	Connector	1
39	01-314-0340	Bolt	1
40	01-314-0350	Gasket	2
41	3253-7	Lock Washer	2
42	48-004-6631	Break Pedal Stop	1

* Not Illustrated



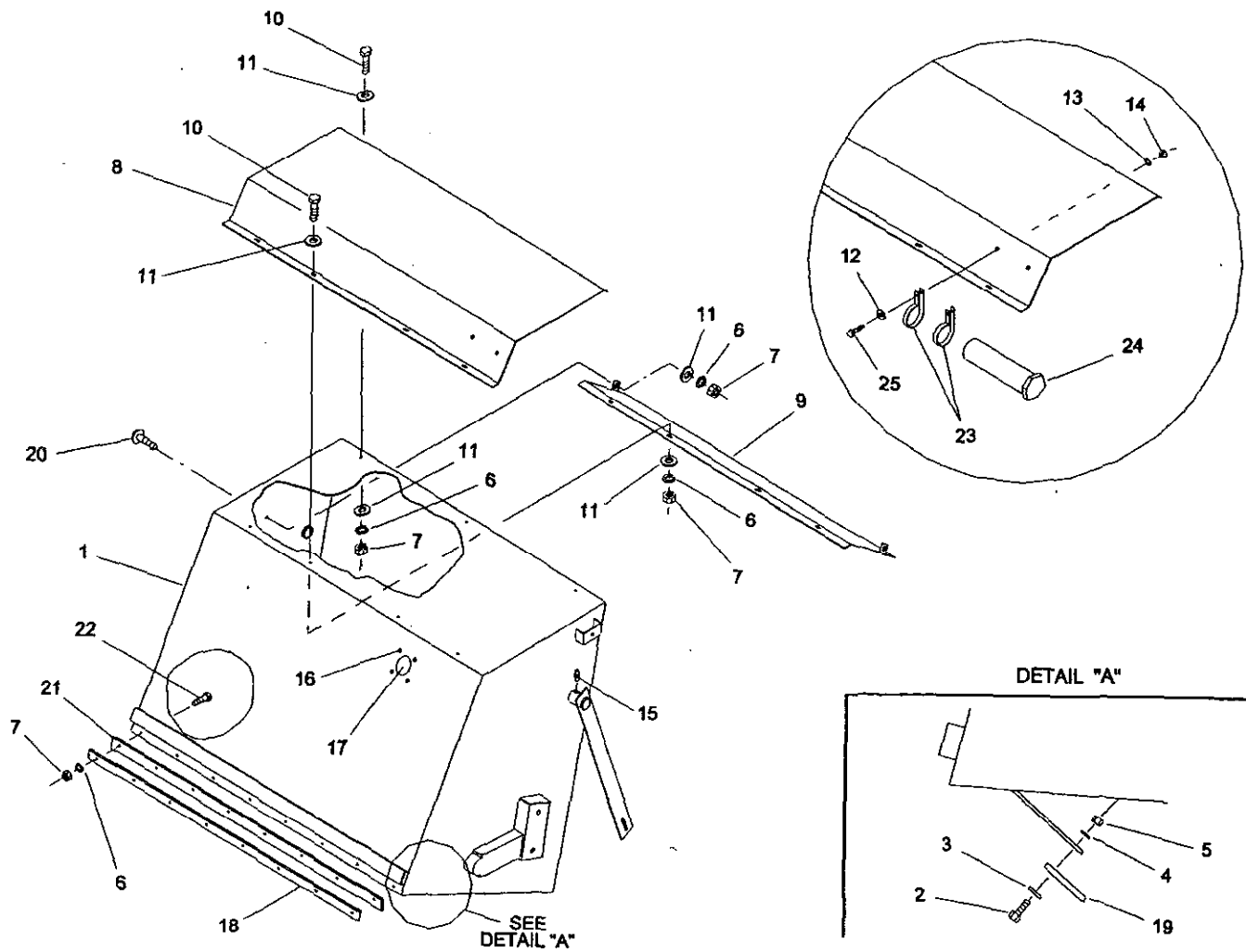
HOPPER LIFT ARM ASSEMBLY

54-018

Ref. No.	Part No.	Description	No. Used
1	54-005-0172	Main Lift Arm	1
2	325-6	Capscrew - Hex Hd.	6
3	3256-26	"SAE" Flat Washer	12
4	3253-7	Lock Washer	6
5	3217-9	Hex Nut	6
6	54-004-0531	Hopper Stop Spacer	4(var)
7	01-301-0540	Cylinder (Incl. Ref. #9,31)	2
*	01-301-0570	Seal Kit	1
8	01-168-1610	Machinery Bushing	12
9	01-159-0010	Presto Pin	4
10	48-005-0561	Cylinder Safety Stop	2
11	3231-10	Carriage Bolt	2
12	3256-4	Flat Washer	10
13	3253-5	Lock Washer	6
14	01-192-0070	Wing Nut	2
15	48-004-3441	Spacer	2
16	01-166-1200	Flat Washer	14
17	3218-7	Jam Nut	10

Ref. No.	Part No.	Description	No. Used
18	48-004-3052	Upper Arm	2
19	48-005-0381	Upper Pivot Arm Bracket	2
20	3219-9	Hex Nut	10
21	48-005-0371	Lower Pivot Assembly	2
22	48-004-1861	Hose Bracket	3
23	01-191-1614	Jam Nut	4
24	3217-12	Hex Nut	2
25	48-005-0571	Cylinder Adj. Pivot	2
26	01-215-0050	Grease Fitting	2
27	3217-7	Hex Nut	4
28	323-9	Capscrew - Hex Hd.	7
29	48-004-4831	Hose Clamp	1
30	328-23	Capscrew - Hex Hd.	2
31	01-252-0150	Clevis Pin	4
32	01-168-1614	Machinery Bushing	4
33	3256-24	"SAE" Flat Washer	3
34	3296-39	Lock Nut	3
35	54-004-0891	Spacer	4(var)

* Not Illustrated

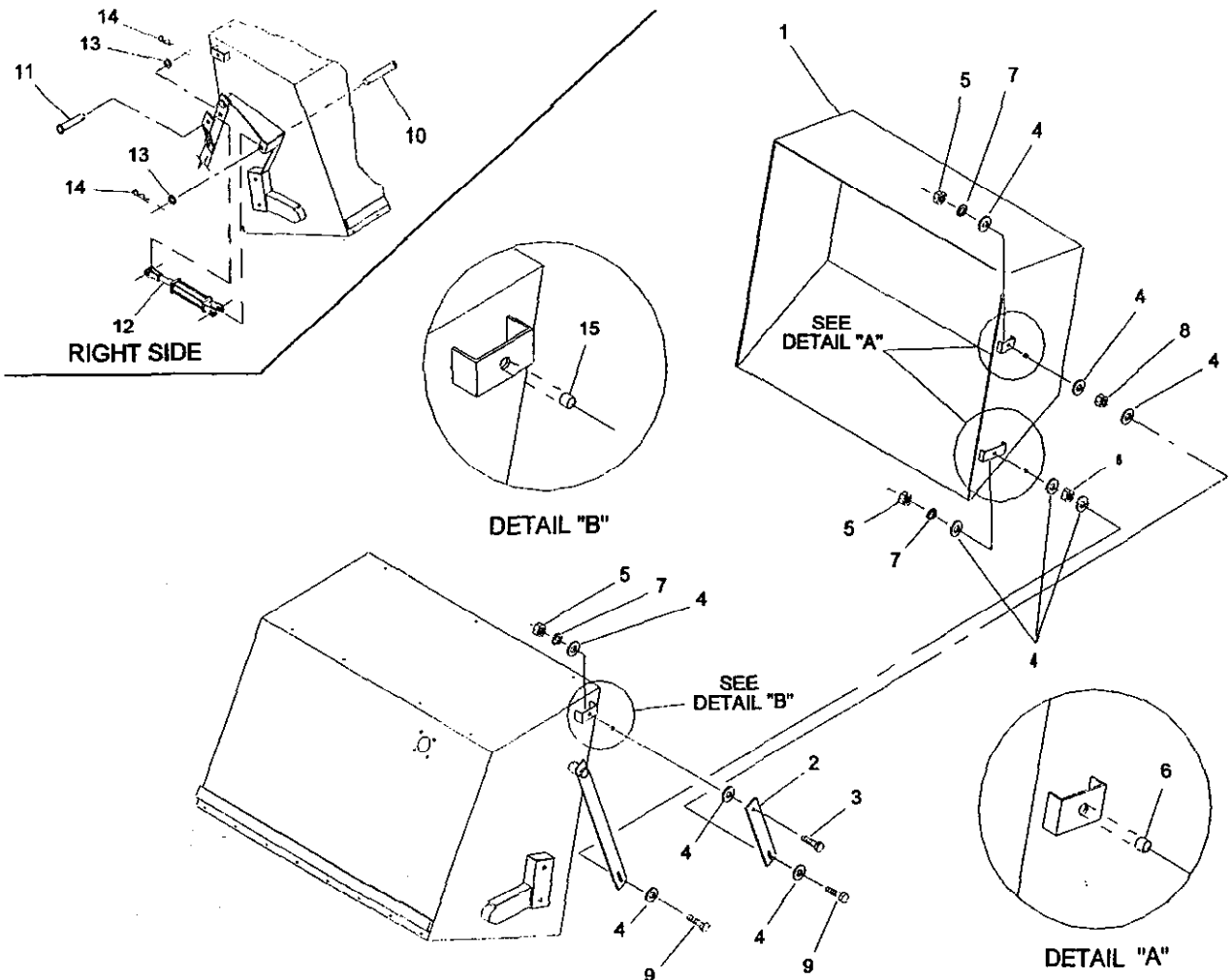


HOPPER ASSEMBLY

54-019

Ref. No.	Part No.	Description	No. Used
1	54-005-0093	Hopper	1
2	322-3	Capscrew - Hex Hd.	9
3	3256-3	Flat Washer	9
4	3253-4	Lock Washer	9
5	3217-6	Hex Nut	9
6	3253-5	Lock Washer	17
7	3217-7	Hex Nut	17
8	54-005-0161	Dust Shield Assembly	1
9	54-004-1412	Wet Leaf Deflector	1
10	01-184-0610	Machine Screw - Rd. Hd.	7
11	3256-4	Flat Washer	16
12	3256-2	Flat Washer	2
13	3253-3	Lock Washer	2
14	3217-5	Hex Nut	2

Ref. No.	Part No.	Description	No. Used
15	01-215-0050	Grease Fitting	2
16	01-161-0030	Pop Rivet	4
17	48-004-4641	Peep Hole Cover	1
18	54-004-1421	Rubber Flap Mount	1
19	54-004-1281	Hopper Floor Seal	1
20	3231-2	Carriage Bolt	2
21	54-004-1431	Hopper Flap	1
22	323-7	Capscrew - Hex Hd.	8
23	2412-133	R-Clamp	2
24	74-0720	Manual Tube	1
25	321-4	Capscrew - Hex Hd.	2



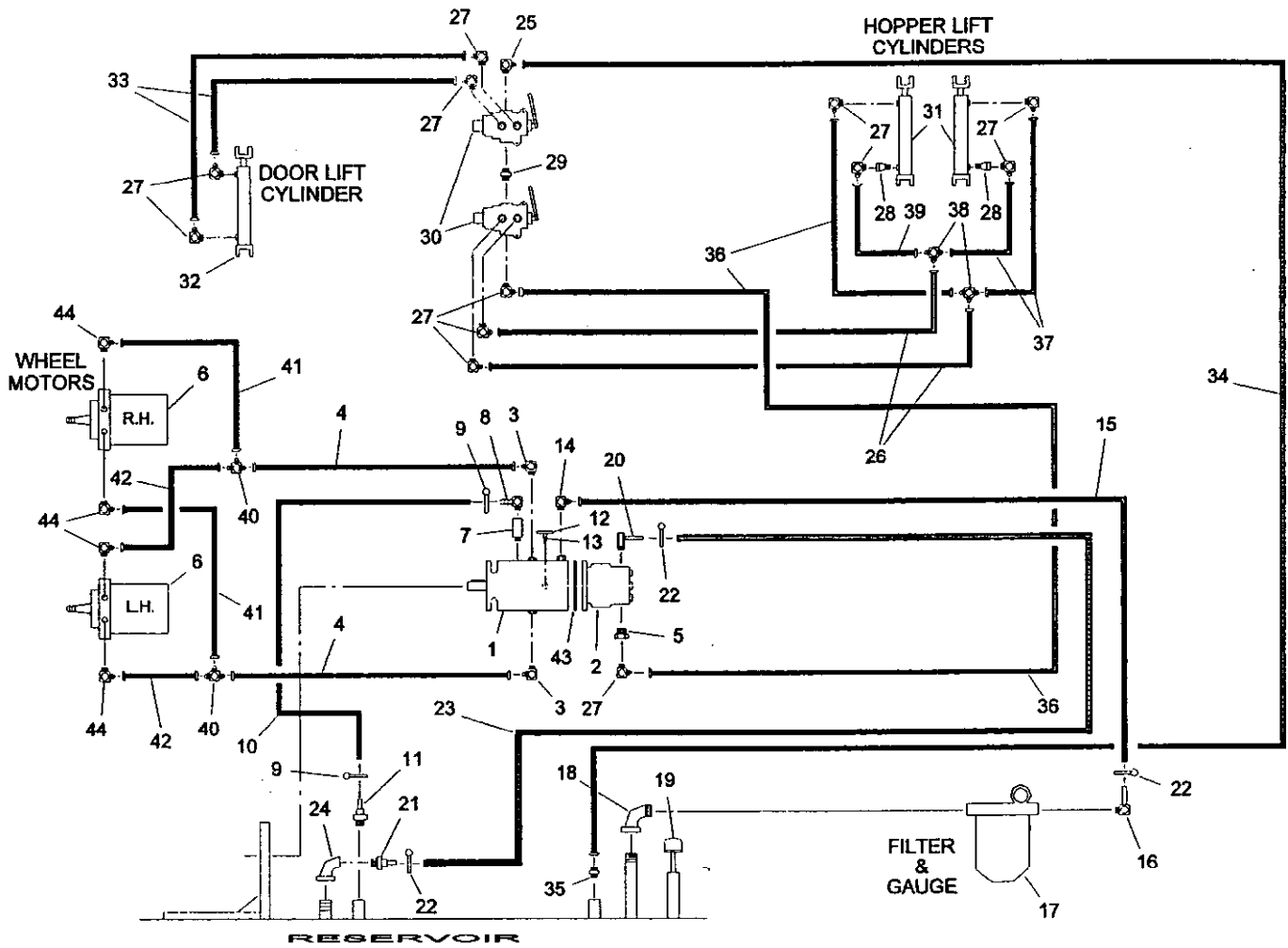
HOPPER DOOR ASSEMBLY

54-022

Ref. No.	Part No.	Description	No. Used
1	54-005-0122	High Lift Hopper Door	1
2	54-004-0861	Door Linkage-Upper	2
3	325-7	Cap screw - Hex Hd.	2
4	3256-6	Flat Washer	20
5	3217-9	Hex Nut	6
6	48-004-6101	Hopper Box Spacer	4
7	3253-7	Lock Washer	6
8	3218-5	Jam Nut	4

Ref. No.	Part No.	Description	No. Used
9	325-8	Cap screw - Hex Hd.	4
10	48-005-0341	Hopper Door Cyl. Pin-lower	1
11	48-005-0331	Hopper Door Cyl. Pin-upper	1
12	01-301-0550	Cylinder	1
*	01-301-0570	Seal Kit	1
13	3256-42	Flat Washer	2
14	01-159-0010	Presto Pin	2
15	48-004-6311	Hopper Box Spacer	2

*Not Illustrated



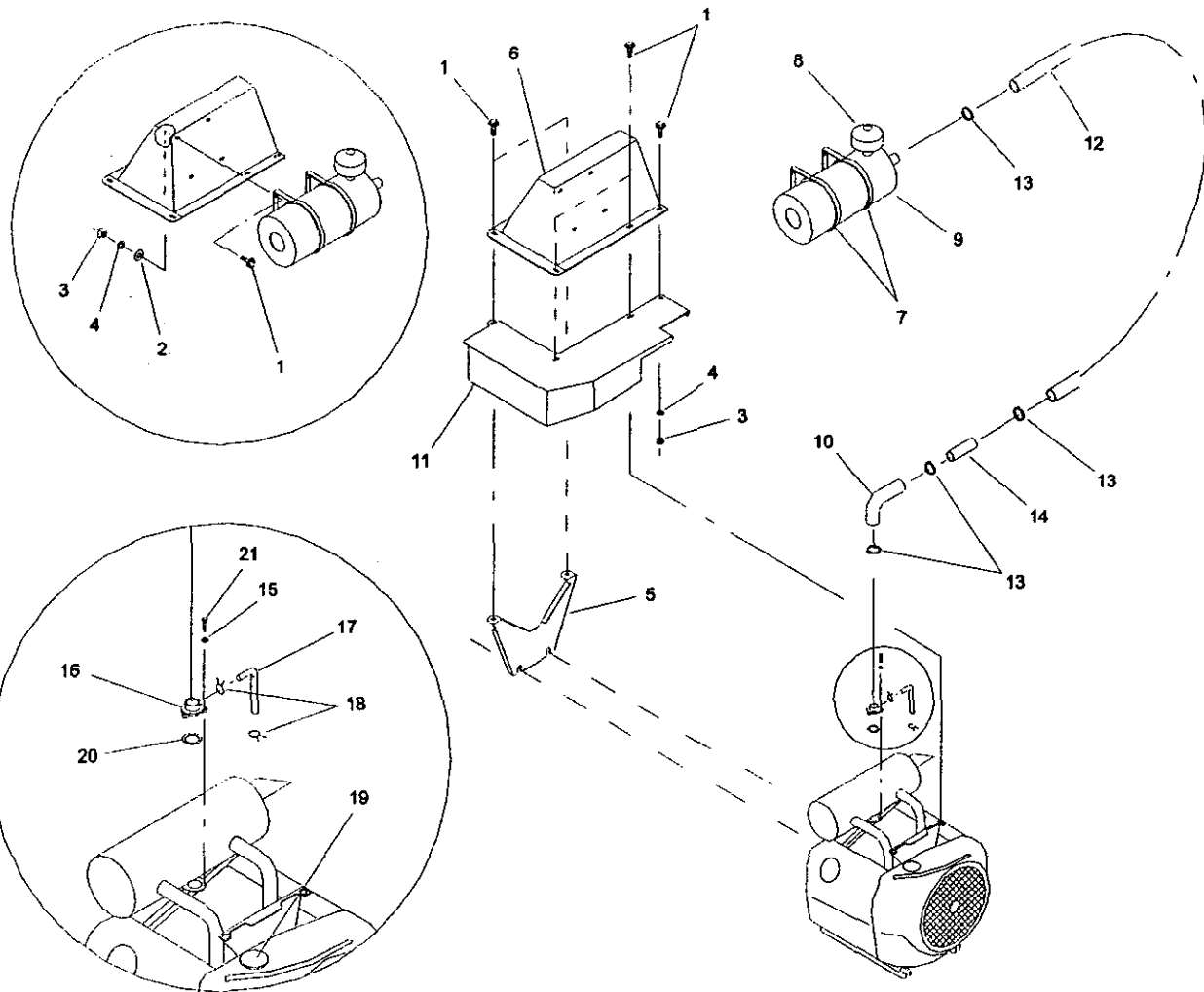
HYDRAULIC SCHEMATIC - 5400HL

54-021

Ref. No.	Part No.	Description	No. Used
1	01-305-0090	Cessna Pump	1
*	01-305-0080	Seal Kit	1
2	01-305-0020	Sundstrand Pump	1
*	01-305-0600	Seal Kit	1
3	01-201-0440	Fitting	2
4	01-312-1260	Hose Assembly	2
5	01-201-0020	Fitting	1
6	01-304-0410	Hyd. Motor	2
*	01-304-0260	Seal Kit	1
7	01-201-0490	Fitting	1
8	01-217-0050	Hose Barb	1
9	01-202-0030	Hose Clamp	2
10	48-004-4921	Hose Assembly	1
11	01-217-0060	Hose Barb	1
12	48-005-0641	Tow Valve Handle	1
13	01-163-0100	Set Screw	1
14	01-201-1880	Fitting	1
15	01-312-1620	Hose Assembly	1
16	01-201-1890	Fitting	1
17	01-316-0020	Filter Assembly	1
*	01-315-0010	Filter Head	1
*	01-317-0240	Filter Element	1
*	01-303-0010	Filter Gauge	1
18	01-455-0020	Fitting	1
19	48-002-0101	Breather Cap w/dipstick	1
20	01-201-1080	Fitting	1
21	01-201-0750	Fitting	1

Ref. No.	Part No.	Description	No. Used
22	01-202-0050	Hose Clamp	3
23	48-004-4931	Hose Assembly	1
24	01-455-0080	Fitting	1
25	01-201-0530	Fitting	1
26	01-312-0500	Hose Assembly	2
27	01-201-0190	Fitting	12
28	01-310-0040	Fitting	2
29	01-201-0160	Fitting	1
30	01-308-0050	Valve	2
*	01-308-0130	Seal Kit	1
31	01-301-0540	Cylinder	2
*	01-301-0570	Seal Kit	1
32	01-301-0550	Cylinder	1
*	01-301-0570	Seal Kit	1
33	01-312-0210	Hose Assembly	2
34	01-312-0840	Hose Assembly	1
35	01-201-0810	Fitting	1
36	01-312-0370	Hose Assembly	2
37	01-312-0200	Hose Assembly	2
38	01-201-0140	Fitting	2
39	01-312-0360	Hose Assembly	1
40	01-201-1530	Fitting	2
41	01-312-1430	Hose Assembly	2
42	01-312-1440	Hose Assembly	2
43	01-402-0230	O-Ring	1
44	01-201-1580	Fitting	4

* Not Illustrated



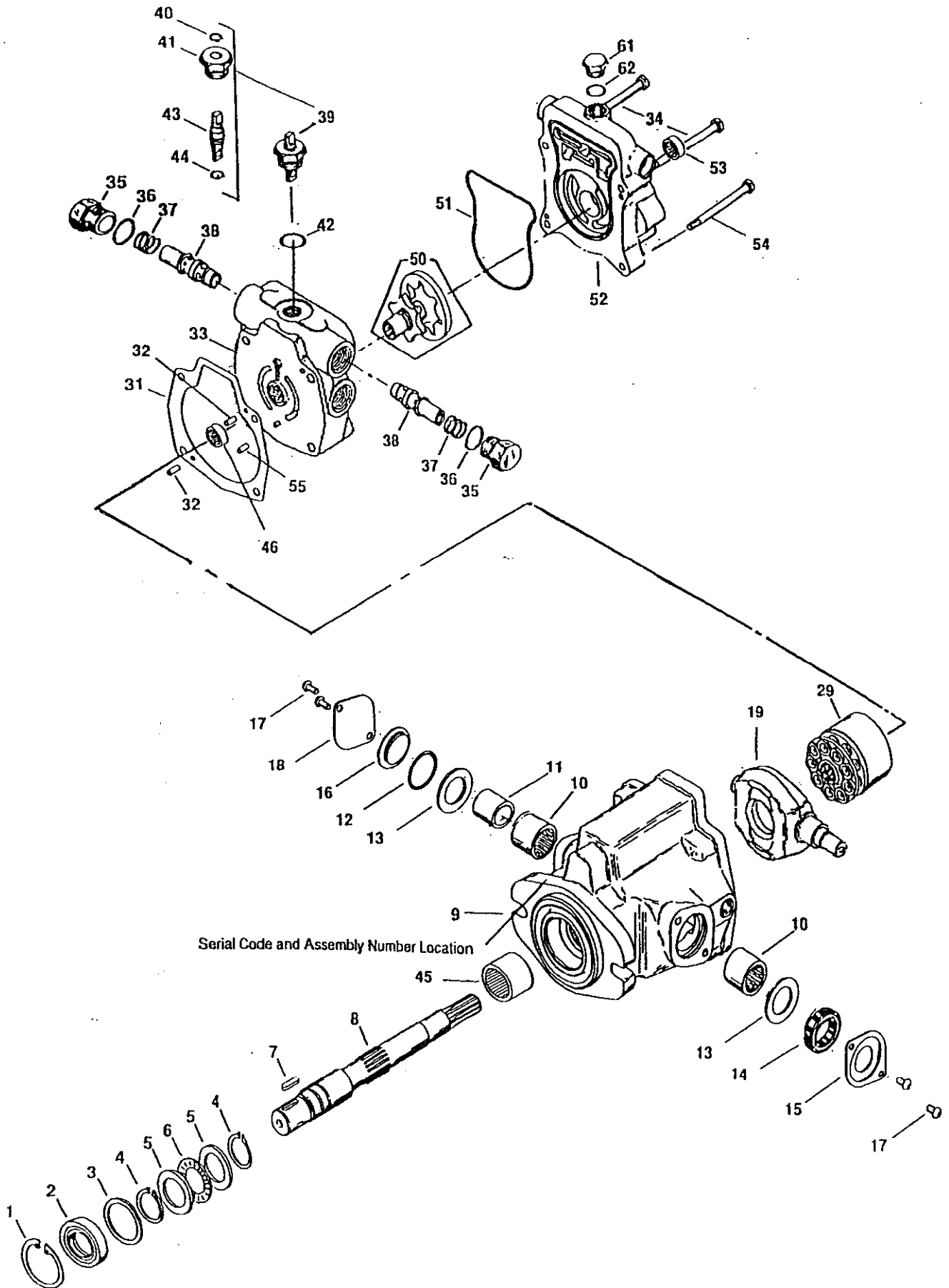
DONALDSON AIR CLEANER - MODEL NO. 44030

54-020

Ref. No.	Part No.	Description	No. Used	Ref. No.	Part No.	Description	No. Used
1	3234-26	Flange Screw - Hex Hd.	9	13	2412-130	Hose Clamp	4
2	3256-2	Flat Washer	4	14	93-004-0511	Spacer	1
3	3217-5	Hex Nut	5	15	3253-2	Lock Washer	3
4	3253-3	Lock Washer	5	16	57-8720	Adaptor	1
5	95-0080	Support - Cover	1	17	71-6130	Hose - Breather	1
6	92-4657	Cover - Carb	1	18	57-9540	Hose - Clamp	2
7	01-289-0320	Band	2	19	71-6210	Plug - Button	1
8	01-289-0290	Pre-Cleaner	1	20	57-9620	O-Ring	1
*	01-289-0470	Air Filter Element (Incl. w/Ref. #8)	1	21	59-0940	Mach. Screw - Rd. Hd.	3
9	01-289-0310	Air Cleaner	1	*	01-289-0280	Air Cleaner Kit (Incl. Ref. #7 - 10,13,14)	1
10	01-289-0300	Elbow	1	*	01-289-0770	Adaptor (Incl. Ref. #15 - 21)	1
11	92-4656	Plate - Engine Cover	1				
12	54-004-1701	Hose	1				

* Not Illustrated

CESSNA PUMP - NO. 01-305-0090

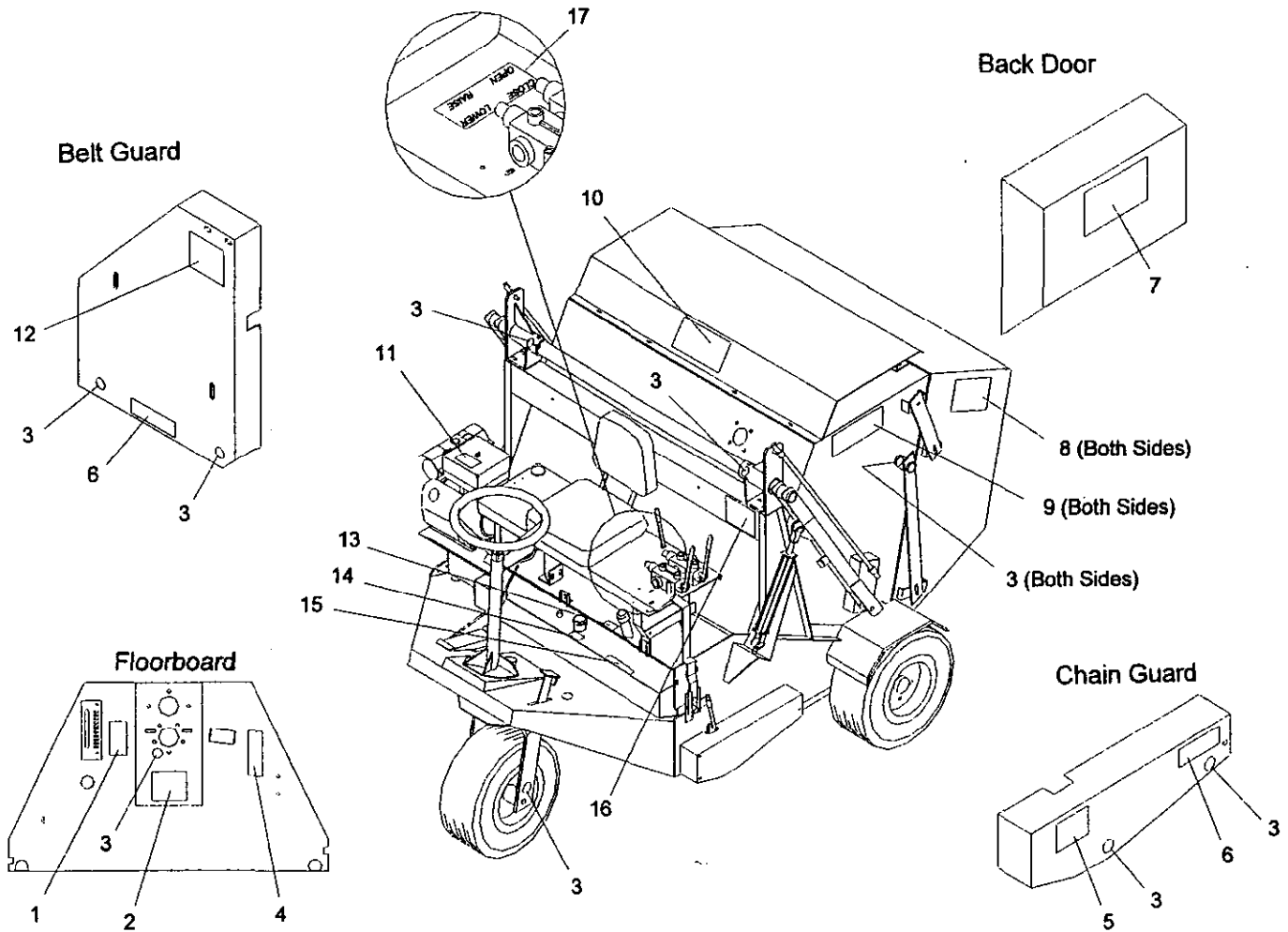


CESSNA PUMP - NO. 01-305-0090

Ref. No.	Part No.	Description	No. Used
1		Retaining Ring	1
2	01-405-0400	Shaft Seal - Drive	1
3	92-4626	Washer	1
4		Retaining Ring	2
5	92-4629	Bearing Race	2
6	01-105-0490	Thrust Bearing	1
7	92-4641	Key - Drive Shaft	1
8	01-305-0120	Drive Shaft	1
9	92-4623	Housing Assembly	1
10	01-105-0460	Needle Bearing	2
11	01-105-0500	Inner Race	1
12		O-Ring	1
13	92-4631	Washer	2
14		Shaft Seal - Trunnion	1
15	92-4636	Seal Cover	1
16	92-4638	Cover - O-Ring	1
17	92-4633	Screw - Pan Head	4
18	92-4637	Trunnion Cover	1
19	92-4625	Camplate	1
20			
21			
22			
23			
24			
25			
26			
27			
28			
29	92-4624	Rotating Kit Assembly	1
30			
31	01-401-0010	Housing Gasket	1
32	01-153-0200	Dowel Pin	2
33	92-4622	Back Plate Assembly	1
34	92-4640	Capscrew	2
35	92-4634	Plug Assembly	2

Ref. No.	Part No.	Description	No. Used
36		O-Ring	2
37	01-305-1520	Spring	2
38	01-305-1530	Relief Valve	2
39	01-308-0180	Dump Valve Assembly	1
40		Retaining Ring	1
41		Separator Plug	1
42		O-Ring	1
43	01-318-0090	Separator	1
44		O-Ring	1
45	01-105-0320	Bearing	1
46	01-105-0470	Bearing	1
47			
48			
49			
50	01-254-0060	Gerator & Coupler Assembly	1
51		Molded O-Ring	1
52	92-4646	Charge Pump Adaptor	1
53	01-105-0480	Bearing	1
54	92-4639	Capscrew	2
55	92-4649	Roll Pin	1
56			
57			
58			
59			
60			
61	92 4643	Plug Assembly	1
62		O-Ring	1
	* 01-305-1500	Relief Valve Ass'y (Incl. Ref. #35,37,38)	2
	* 92-4650	Seal Kit (Incl. Ref. #1,2,4,12,14,31, 36,40,42,44,51,62)	1

* Not Illustrated



DECALS

48HLDECL

Ref. No.	Part No.	Description	No. Used
1	01-506-0980	Decal - Parking Brake	1
2	01-506-0090	Decal - Danger	1
3	58-6520	Decal - Grease	10
4	01-506-0570	Decal - Traction Pedal	1
5	01-506-0050	Decal - Danger	1
6	01-506-0080	Decal - Danger	2
7	67-7920	Decal - Toro	1
8	01-506-0060	Decal - Danger	2
9	01-506-0740	Decal - Turf Sweeper 5400HL	2

Ref. No.	Part No.	Description	No. Used
10	66-6140	Decal - Toro	1
11	01-506-0030	Decal - Danger	1
12	01-506-0040	Decal - Danger	1
13	52-9640	Decal - Hydraulic Oil	1
14	71-3730	Decal - Gas Only	1
15	75-5190	Decal - No Riders	1
16	01-506-0070	Decal - Danger	1
17	01-506-0170	Decal - Hopper Door/ Hopper Lift	1

PART NUMBER INDEX

Part No.	Description	Pg. No.	Ref. No.	Qty.	Part No.	Description	Pg. No.	Ref. No.	Qty.
01-102-0050	Bearing	15	15	1	01-201-0490	Fitting	20	7	1
01-102-0070	Bearing	15	20	1	01-201-0530	Fitting	20	25	1
01-105-0320	Bearing	23	45	1	01-201-0750	Fitting	20	21	1
01-105-0460	Needle Bearing	23	10	2	01-201-0810	Fitting	20	35	1
01-105-0470	Bearing	23	46	1	01-201-1080	Fitting	20	20	1
01-105-0480	Bearing	23	53	1	01-201-1530	Fitting	20	40	2
01-105-0490	Thrust Bearing	23	6	1	01-201-1580	Fitting	20	44	4
01-105-0500	Inner Race	23	11	1	01-201-1880	Fitting	20	14	1
01-105-0520	Needle Bearing	7	26	2	01-201-1890	Fitting	20	16	1
01-105-0520	Needle Bearing	8	16	2	01-202-0030	Hose Clamp	20	9	2
01-113-0010	Bearing	11	9	1	01-202-0030	Hose Clamp	5	5	2
01-113-0010	Bearing	7	15	1	01-202-0050	Hose Clamp	20	22	3
01-113-0020	Bearing	11	4	1	01-202-0190	Cable Clamp	4	31	1
01-113-0020	Bearing	7	5	1	01-215-0050	Grease Fitting	15	29	1
01-126-0110	Bushing, Oilite	15	5	2	01-215-0050	Grease Fitting	17	26	2
01-151-0170	Cotter Pin	1	21	2	01-215-0050	Grease Fitting	18	15	2
01-153-0200	Dowel Pin	23	32	2	01-217-0050	Hose Barb	20	8	1
01-158-0150	Capscrew - Socket Hd.	4	23	8	01-217-0060	Hose Barb	20	11	1
01-158-0270	Shoulder Bolt	6	2	2	01-217-0060	Hose Barb	5	4	1
01-158-2040	Lug Bolt	1	24	10	01-250-0020	Rod End Bearing	6	7	1
01-159-0010	Presto Pin	17	9	4	01-250-0020	Rod End Bearing	8	8	1
01-159-0010	Presto Pin	19	14	2	01-251-0020	Offset Link	7	*	1
01-160-0410	Retaining Ring	15	4	1	01-252-0150	Clevis Pin	17	31	4
01-160-0380	Retaining Ring	16	*	2	01-254-0060	Gerator & Coupler Assembly	23	50	1
01-161-0030	Pop Rivet	18	16	4	01-260-0010	Sheave	11	14	1
01-163-0100	Set Screw	20	13	1	01-260-0110	Sheave	11	17	1
01-163-0100	Set Screw	4	*	1	01-260-0290	Bushing	11	15	1
01-166-1200	Flat Washer	17	16	14	01-260-0780	Bushing	11	18	1
01-168-1014	Machinery Bushing	12	2	5	01-260-0900	"H" Bushing	4	24	1
01-168-1210	Machinery Bushing	16	17	2	01-261-0050	Spring	16	4	1
01-168-1410	Machinery Bushing	7	23	6	01-261-0240	Spring	1	4	4
01-168-1410	Machinery Bushing	8	13	11	01-261-0240	Spring	9	18	1
01-168-1414	Machinery Bushing	7	24	4	01-261-0300	Spring	12	15	1
01-168-1414	Machinery Bushing	8	14	5	01-261-0300	Spring	8	12	1
01-168-1610	Machinery Bushing	17	8	12	01-261-0330	Spring	6	12	1
01-168-1610	Machinery Bushing	7	20	3	01-261-0340	Spring	10	16	1
01-168-1614	Machinery Bushing	17	32	4	01-261-0930	Spring	6	13	1
01-168-1614	Machinery Bushing	7	21	6	01-262-0520	Sprocket	7	11	1
01-168-2010	Machinery Bushing	7	13	2	01-262-0530	Sprocket	7	22	1
01-168-2010	Machinery Bushing	15	30	2	01-262-0610	Sprocket	7	25	1
01-168-2014	Machinery Bushing	7	10	3	01-262-0610	Sprocket	8	15	1
01-169-0010	Lock Washer	4	22	8	01-264-0230	Belt	11	20	1
01-169-0070	Washer	3	16	1	01-265-0180	Flex Coupling	4	21	1
01-170-0150	Clamp	4	5	2	01-266-0080	Wheel Cylinder Assembly	16	*	1
01-182-0616	Capscrew - Hex Hd.	1	7	5	01-268-0010	Pulley	12	7	1
01-182-0620	Capscrew - Hex Hd.	15	25	2	01-269-0060	Axle Spacer	16	32	2
01-182-0824	Capscrew - Hex Hd.	16	8	1	01-269-0140	Steering Hub	15	17	1
01-182-0832	Capscrew - Hex Hd.	12	16	1	01-269-0300	Lug Nut	15	18	5
01-184-0610	Machine Screw - Rd. Hd.	18	10	7	01-269-0320	Front Tire	16	29	1
01-189-0518	Lock Nut	6	4	2	01-269-0330	Tire	1	23	2
01-189-0813	Lock Nut	9	13	2	01-269-1020	Wheel	1	22	2
01-189-0813	Lock Nut	10	13	2	01-269-2540	Wheel Hub	1	20	2
01-190-1210	Castle Nut	16	33	1	01-270-2260	Engine	4	1	1
01-190-1216	Castle Nut	15	22	1	01-273-0260	Muffler	4	2	1
01-190-1620	Castle Nut	1	26	2	01-273-0270	Muffler Tube-short	4	*	1
01-190-1620	Castle Nut	2	22	1	01-273-0280	Muffler Tube-long	4	3	1
01-191-1614	Jam Nut	17	23	4	01-279-0010	Rubber Fingers	8	3	140
01-192-0070	Wing Nut	17	14	2	01-280-0020	Gas Cap	5	2	1
01-201-0020	Fitting	20	5	1	01-280-0190	Tank Withdrawal Assembly	5	3	1
01-201-0140	Fitting	20	38	2	01-286-0030	Cover Plate	15	8	1
01-201-0160	Fitting	20	29	1	01-286-0040	Grease Cap	15	24	1
01-201-0190	Fitting	20	27	12	01-286-0130	Steering Wheel	15	1	1
01-201-0440	Fitting	20	3	2					

* Not Illustrated

PART NUMBER INDEX (Continued)

Part No.	Description	Pg. No.	Ref. No.	Qty.	Part No.	Description	Pg. No.	Ref. No.	Qty.
01-286-0220	Seat	1	6	1	01-312-1260	Hose Assembly	20	4	2
01-288-0020	Hour Meter	1	25	1	01-312-1430	Hose Assembly	20	41	2
01-289-0280	Air Cleaner Kit	21	*	1	01-312-1440	Hose Assembly	20	42	2
01-289-0290	Pre-Cleaner	21	8	1	01-312-1620	Hose Assembly	20	15	1
01-289-0300	Elbow	21	10	1	01-314-0020	Hydraulic Brake Hose	16	35	1
01-289-0310	Air Cleaner	21	9	1	01-314-0070	Brake Line Clip	16	36	1
01-289-0320	Band	21	7	2	01-314-0290	Hydraulic Brake Cylinder	16	12	1
01-289-0470	Air Filter Element	21	*	1	01-314-0300	Hydraulic Brake Assembly	16	25	1
01-289-0770	Adaptor	21	*	1	01-314-0330	Hydraulic Brake Line	16	37	1
01-301-0540	Cylinder	20	31	2	01-314-0340	Bolt	16	39	1
01-301-0540	Cylinder	17	7	2	01-314-0350	Gasket	16	40	2
01-301-0550	Cylinder	20	32	1	01-314-0360	Connector	16	38	1
01-301-0550	Cylinder	19	12	1	01-314-0430	Brake Shoe	16	*	2
01-301-0570	Seal Kit	17	*	1	01-314-0460	Anchor Pin	16	*	2
01-301-0570	Seal Kit	19	*	1	01-314-0470	Brake Shoe Lever	16	*	2
01-301-0570	Seal Kit	20	*	1	01-314-0480	Brake Shoe Spring	16	*	2
01-303-0010	Filter Gauge	20	*	1	01-314-0490	Adjusting Screw Assembly	16	*	2
01-304-0260	Seal Kit	1	*	1	01-304-0830	Endcover	2	17	1
01-304-0260	Seal Kit	20	*	1	01-304-0840	Housing Kit	2	*	1
01-304-0260	Seal Kit	2	*	1	01-314-0500	Wheel Cylinder Repair Kit	16	*	1
01-304-0410	Hyd. Motor	20	6	2	01-314-0540	Capscrew - Socket Hd.	16	*	2
01-304-0410	Hydraulic Motor	1	14	2	01-314-0550	Shoulder Bolt	16	*	4
01-304-0490	Shaft	2	26	1	01-315-0010	Filter Head	20	*	1
01-304-0660	Thrust Bearing	2	12	2	01-316-0020	Filter Assembly	20	17	1
01-304-0840	Housing Kit	2	*	1	01-317-0240	Filter Element	20	*	1
01-304-0850	Drive Link	2	23	1	01-318-0090	Separator	23	43	1
01-304-0860	Rotor Set	2	24	1	01-401-0010	Housing Gasket	23	31	1
01-304-0870	Bolt Set	2	25	1	01-402-0230	O-Ring	20	43	1
01-304-0880	Shaft Key	2	27	1	01-402-0230	O-Ring	4	7	1
01-304-1550	Manifold Boot	2	14	1	01-405-0370	Seal	15	14	1
01-304-1560	Manifold (CCW)	2	13	1	01-405-0400	Shaft Seal - Drive	23	2	1
01-304-1570	Balance Plate Kit	2	*	1	01-405-0460	Seal	16	31	2
01-304-1580	Endcover	2	17	1	01-451-0010	Pipe Plug	1	13	1
01-305-0020	Sundstrand Pump	20	2	1	01-455-0020	Fitting	20	18	1
01-305-0020	Sundstrand Pump	4	6	1	01-455-0080	Fitting	20	24	1
01-305-0080	Seal Kit	20	*	1	01-455-0100	Elbow	1	12	1
01-305-0080	Seal Kit	4	*	1	01-506-0030	Decal - Danger	24	11	1
01-305-0090	Cessna Pump	20	1	1	01-506-0040	Decal - Danger	24	12	1
01-305-0090	Cessna Pump	4	27	1	01-506-0050	Decal - Danger	24	5	1
01-305-0120	Drive Shaft	23	8	1	01-506-0060	Decal - Danger	24	8	2
01-305-0600	Seal Kit	20	*	1	01-506-0070	Decal - Danger	24	16	1
01-305-0600	Seal Kit	4	*	1	01-506-0080	Decal - Danger	24	6	2
01-305-1500	Relief Valve Ass'y	23	*	2	01-506-0090	Decal - Danger	24	2	1
01-305-1520	Spring	23	37	2	01-506-0170	Decal - Hopper Door/Lift	24	17	1
01-305-1530	Relief Valve	23	38	2	01-506-0570	Decal - Traction Pedal	24	4	1
01-308-0050	Valve	1	31	2	01-506-0740	Decal - Turf Sweeper 5400HL	24	9	2
01-308-0050	Valve	20	30	2	01-506-0980	Decal - Parking Brake	24	1	1
01-308-0130	Seal Kit	1	*	1	01-600-0050	Battery Cable	4	*	1
01-308-0130	Seal Kit	20	*	1	01-600-0190	Battery Cable	4	*	1
01-308-0180	Dump Valve Assembly	23	39	1	01-650-0150	All Thread	13	2	2
01-308-0130	Valve Repair Kit	3	*	1	01-650-0280	All Thread	14	4	1
01-308-0140	Spring Centered Kit	3	*	1	01-650-0440	All Thread	14	2	2
01-308-0150	Detent Kit	3	*	1	02-250-0020	Rod End Bearing	8	6	1
01-308-0190	Lever	3	5	1	2412-130	Hose Clamp	21	13	4
01-308-1750	Pin	3	7	2	2412-133	R-Clamp	18	23	2
01-310-0040	Fitting	20	28	2	254-78	Bearing	16	30	2
01-312-0200	Hose Assembly	20	37	2	321-4	Capscrew - Hex Hd.	18	25	2
01-312-0210	Hose Assembly	20	33	2	321-6	Capscrew - Hex Hd.	4	14	2
01-312-0360	Hose Assembly	20	39	1	32121-12	Roll Pin	6	14	1
01-312-0370	Hose Assembly	20	36	2	3217-11	Hex Nut	12	9	1
01-312-0500	Hose Assembly	20	26	2	3217-11	Hex Nut	9	15	3
01-312-0840	Hose Assembly	20	34	1	3217-11	Hex Nut	10	14	3

* Not Illustrated

PART NUMBER INDEX (Continued)

Part No.	Description	Pg. No.	Ref. No.	Qty.	Part No.	Description	Pg. No.	Ref. No.	Qty.
3217-12	Hex Nut	17	24	2	323-8	Capscrew - Hex Hd.	11	10	2
3217-5	Hex Nut	18	14	2	323-8	Capscrew - Hex Hd.	4	9	4
3217-5	Hex Nut	21	3	5	323-8	Capscrew - Hex Hd.	7	16	1
3217-6	Hex Nut	16	15	5	323-9	Capscrew - Hex Hd.	16	2	1
3217-6	Hex Nut	18	5	9	323-9	Capscrew - Hex Hd.	17	28	7
3217-6	Hex Nut	1	30	4	3230-2	Carriage Bolt	16	43	1
3217-7	Hex Nut	1	11	15	3231-10	Carriage Bolt	17	11	2
3217-7	Hex Nut	11	13	2	3231-2	Carriage Bolt	18	20	2
3217-7	Hex Nut	12	12	4	3234-26	Flange Screw - Hex Hd.	21	1	9
3217-7	Hex Nut	13	4	12	325-12	Capscrew - Hex Hd.	1	15	8
3217-7	Hex Nut	15	26	7	325-5	Capscrew - Hex Hd.	8	5	1
3217-7	Hex Nut	16	6	3	325-6	Capscrew - Hex Hd.	15	9	3
3217-7	Hex Nut	17	27	4	325-6	Capscrew - Hex Hd.	16	23	2
3217-7	Hex Nut	18	7	17	325-6	Capscrew - Hex Hd.	17	2	6
3217-7	Hex Nut	4	12	2	325-7	Capscrew - Hex Hd.	12	5	2
3217-7	Hex Nut	5	11	6	325-7	Capscrew - Hex Hd.	19	3	2
3217-7	Hex Nut	6	6	4	325-7	Capscrew - Hex Hd.	7	6	2
3217-7	Hex Nut	7	19	1	325-8	Capscrew - Hex Hd.	19	9	4
3217-7	Hex Nut	8	9	5	3253-2	Lock Washer	21	15	3
3217-7	Hex Nut	9	10	2	3253-3	Lock Washer	18	13	2
3217-7	Hex Nut	10	10	2	3253-3	Lock Washer	21	4	5
3217-8	Hex Nut	14	5	10	3253-3	Lock Washer	4	16	2
3217-8	Hex Nut	16	28	4	3253-4	Lock Washer	16	14	3
3217-9	Hex Nut	1	17	8	3253-4	Lock Washer	18	4	9
3217-9	Hex Nut	11	8	2	3253-4	Lock Washer	1	29	4
3217-9	Hex Nut	12	17	3	3253-4	Lock Washer	4	19	4
3217-9	Hex Nut	15	12	3	3253-5	Lock Washer	1	8	6
3217-9	Hex Nut	16	9	4	3253-5	Lock Washer	10	9	2
3217-9	Hex Nut	17	5	6	3253-5	Lock Washer	11	12	2
3217-9	Hex Nut	19	5	6	3253-5	Lock Washer	15	19	3
3217-9	Hex Nut	7	9	2	3253-5	Lock Washer	16	20	2
3218-3	Jam Nut	16	7	1	3253-5	Lock Washer	17	13	6
3218-3	Jam Nut	9	20	2	3253-5	Lock Washer	18	6	17
3218-4	Jam Nut	14	7	3	3253-5	Lock Washer	4	11	6
3218-5	Jam Nut	16	10	3	3253-5	Lock Washer	5	10	2
3218-5	Jam Nut	19	8	4	3253-5	Lock Washer	7	18	1
3218-6	Jam Nut	9	5	1	3253-5	Lock Washer	9	9	2
3218-6	Jam Nut	10	6	1	3253-6	Lock Washer	14	8	1
3218-7	Jam Nut	17	17	10	3253-6	Lock Washer	16	27	4
3219-3	Hex Nut	6	9	1	3253-7	Lock Washer	1	16	8
3219-9	Hex Nut	17	20	10	3253-7	Lock Washer	11	7	2
322-12	Capscrew - Hex Hd.	1	27	4	3253-7	Lock Washer	15	11	3
322-3	Capscrew - Hex Hd.	18	2	9	3253-7	Lock Washer	16	41	2
322-5	Capscrew - Hex Hd.	16	16	1	3253-7	Lock Washer	17	4	6
322-6	Capscrew - Hex Hd.	16	13	2	3253-7	Lock Washer	19	7	6
322-6	Capscrew - Hex Hd.	4	20	4	3253-7	Lock Washer	7	8	2
3220-3	Jam Nut	6	8	2	3253-7	Lock Washer	8	4	1
3220-3	Jam Nut	8	7	3	3253-8	Lock Washer	12	8	1
3220-7	Jam Nut	15	7	1	3253-8	Lock Washer	9	4	1
323-10	Capscrew - Hex Hd.	1	3	4	3253-8	Lock Washer	10	5	1
323-10	Capscrew - Hex Hd.	4	28	2	3256-2	Flat Washer	18	12	2
323-11	Capscrew - Hex Hd.	15	28	3	3256-2	Flat Washer	21	2	4
323-11	Capscrew - Hex Hd.	9	17	1	3256-2	Flat Washer	4	15	2
323-12	Capscrew - Hex Hd.	5	8	1	3256-2	Flat Washer	6	15	2
323-6	Capscrew - Hex Hd.	1	19	4	3256-24	"SAE" Flat Washer	11	11	2
323-6	Capscrew - Hex Hd.	16	19	2	3256-24	"SAE" Flat Washer	17	33	3
323-6	Capscrew - Hex Hd.	4	30	2	3256-24	"SAE" Flat Washer	7	17	1
323-6	Capscrew - Hex Hd.	9	8	2	3256-24	"SAE" Flat Washer	8	22	1
323-6	Capscrew - Hex Hd.	10	8	2	3256-26	"SAE" Flat Washer	11	6	2
323-7	Capscrew - Hex Hd.	18	22	8	3256-26	"SAE" Flat Washer	17	3	12
323-7	Capscrew - Hex Hd.	4	8	2	3256-26	"SAE" Flat Washer	7	7	2
323-7	Capscrew - Hex Hd.	5	14	1	3256-26	"SAE" Flat Washer	8	3	1

* Not Illustrated

PART NUMBER INDEX (Continued)

Part No.	Description	Pg. No.	Ref. No.	Qty.	Part No.	Description	Pg. No.	Ref. No.	Qty.
3256-27	"SAE" Flat Washer	9	3	1	48-004-4111	Fuel Line	6	6	1
3256-27	"SAE" Flat Washer	10	4	1	48-004-4641	Peep Hole Cover	18	17	1
3256-28	"SAE" Flat Washer	15	21	1	48-004-4651	Sector Spacer	15	16	3
3256-3	Flat Washer	18	3	9	48-004-4831	Hose Clamp	17	29	1
3256-3	Flat Washer	1	28	4	48-004-4921	Hose Assembly	20	10	1
3256-3	Flat Washer	6	17	2	48-004-4931	Hose Assembly	20	23	1
3256-4	Flat Washer	1	9	6	48-004-5062	Engine Adaptor	4	18	1
3256-4	Flat Washer	12	14	3	48-004-5071	Key	4	25	1
3256-4	Flat Washer	13	5	14	48-004-5131	PVK80 Rubber	5	7	2
3256-4	Flat Washer	16	3	2	48-004-5521	Cessna Pump Spacer	4	26	1
3256-4	Flat Washer	17	12	10	48-004-5841	Reel Plate Spacer	9	2	1
3256-4	Flat Washer	18	11	16	48-004-5841	Reel Plate Spacer	10	3	1
3256-4	Flat Washer	4	10	20	48-004-6101	Hopper Box Spacer	19	6	4
3256-4	Flat Washer	5	9	16	48-004-6241	Brake Stop Plate	16	18	1
3256-4	Flat Washer	6	3	5	48-004-6271	Spacer	13	3	2
3256-4	Flat Washer	8	11	2	48-004-6311	Hopper Box Spacer	19	15	2
3256-4	Flat Washer	9	19	1	48-004-6391	Flywheel Guard	4	13	1
3256-42	Flat Washer	19	13	2	48-004-6631	Break Pedal Stop	16	42	1
3256-5	Flat Washer	15	6	8	48-005-0121	Spring Tension Adjustment	12	10	1
3256-5	Flat Washer	8	19	3	48-005-0162	Idler Cover	8	18	1
3256-6	Flat Washer	12	18	2	48-005-0172	Reel Plate Assembly-R.H.	11	3	1
3256-6	Flat Washer	15	10	3	48-005-0172	Reel Plate Assembly-R.H.	10	1	1
3256-6	Flat Washer	16	11	6	48-005-0182	Reel Plate Assembly-L.H.	7	4	1
3256-6	Flat Washer	17	3	4	48-005-0182	Reel Plate Assembly-L.H.	9	1	1
3256-6	Flat Washer	19	4	20	48-005-0191	Idler Shaft Assembly	8	1	1
3256-6	Flat Washer	9	12	5	48-005-0222	Handle	9	16	1
3256-6	Flat Washer	10	12	5	48-005-0231	Reel Lift Rod Assembly-L.H.	9	14	1
3256-7	Flat Washer	12	6	3	48-005-0241	Pump Control Arm Assembly	6	10	1
327-14	Capscrew - Hex Hd.	12	4	1	48-005-0331	Hopper Door Cyl. Pin	19	11	1
327-6	Capscrew - Hex Hd.	9	6	1	48-005-0341	Hopper Door Cyl. Pin	19	10	1
327-6	Capscrew - Hex Hd.	10	2	1	48-005-0371	Lower Pivot Assembly	17	21	2
3272-11	Cotter Pin	6	16	2	48-005-0381	Upper Pivot Arm Bracket	17	19	2
3272-15	Cotter Pin	15	23	1	48-005-0561	Cylinder Safety Stop	17	10	2
3272-21	Cotter Pin	12	3	1	48-005-0571	Cylinder Adj. Pivot	17	25	2
3272-23	Cotter Pin	16	34	1	48-005-0591	Reel Lift Tube Assembly	9	11	1
3272-23	Cotter Pin	7	14	3	48-005-0591	Reel Lift Tube Assembly	10	15	1
3272-23	Cotter Pin	8	17	1	48-005-0611	Idler Arm	12	1	1
328-23	Capscrew - Hex Hd.	17	30	2	48-005-0621	Foot Pedal	6	1	1
3296-39	Lock Nut	1	5	3	48-005-0641	Tow Valve Handle	20	12	1
3296-39	Lock Nut	12	11	1	48-005-0641	Tow Valve Handle	4	*	1
3296-39	Lock Nut	17	34	3	48-005-0671	Brake Pedal	14	1	1
3296-39	Lock Nut	4	17	6	48-005-0712	Gas Tank	3	1	1
3296-48	Lock Nut	8	20	3	48-005-0781	Brake Stop Weldment	14	5	1
48-002-0101	Breather Cap	20	19	1	48-005-5781	Reel Lift Rod Assembly-R.H.	8	11	1
48-002-5441	Idler Sprocket Assembly	7	*	1	52-9640	Decal - Hydraulic Oil	24	13	1
48-002-5441	Idler Sprocket Assembly	8	*	1	54-002-0011	Steering Column Assembly	13	*	1
48-004-1211	Belt Slip Pin	13	6	2	54-004-0531	Hopper Stop Spacer	15	6	4
48-004-1282	Steering Yoke Gear	15	27	1	54-004-0861	Door Linkage-Upper	19	2	2
48-004-1711	Idler Spring Rod	12	13	1	54-004-0891	Spacer	15	35	4
48-004-1861	Hose Hold Down Bracket	1	10	3	54-004-0941	Reel Chain	5	27	1
48-004-1861	Hose Hold Down Bracket	14	3	2	54-004-1111	Pump Support	2	29	1
48-004-1861	Hose Bracket	17	22	3	54-004-1241	Brake Shoe Bracket	14	26	1
48-004-1931	Key	7	12	2	54-004-1281	Hopper Floor Seal	16	19	1
48-004-1961	Key	15	6	1	54-004-1331	Belt Slip Bracket	11	1	1
48-004-2601	Spring Rod	6	11	1	54-004-1401	Muffler Guard	2	4	1
48-004-3052	Upper Arm	17	18	2	54-004-1412	Wet Leaf Deflector	16	9	1
48-004-3191	Spacer	5	13	1	54-004-1421	Rubber Flap Mount	16	18	1
48-004-3441	Spacer	17	15	2	54-004-1431	Hopper Flap	16	21	1
48-004-3471	Spacer	12	5	1	54-004-1501	Steering Shaft	13	3	1
48-004-3831	Battery Hold Down	5	12	1	54-004-1701	Hose	21	12	1
48-004-3881	Spacer	8	2	1	54-005-0093	Hopper	16	1	1
48-004-3891	Idler Spring Rod	8	10	1	54-005-0122	High Lift Hopper Door	19	1	1

* Not Illustrated

PART NUMBER INDEX (Continued)

Part No.	Description	Pg. No.	Ref. No.	Qty.	Part No.	Description	Pg. No.	Ref. No.	Qty.
54-005-0131	Reel Lift Assembly	7	7	1	71-6130	Hose - Breather	21	17	1
54-005-0131	Reel Lift Assembly	8	7	1	71-6210	Plug - Button	21	19	1
54-005-0161	Dust Shield Assembly	16	8	1	74-0720	Manual Tube	16	24	1
54-005-0172	Main Lift Arm	15	1	1	75-5190	Decal - No Riders	24	15	1
54-005-0214	Main Frame	1	1	1	82-004-1171	Key	9	19	1
54-005-0231	Seat Bracket	1	2	1	92-4622	Back Plate Assembly	23	33	1
54-005-0242	Steering Yoke Assembly	13	13	1	92-4623	Housing Assembly	23	9	1
54-005-0251	Axle	14	22	1	92-4624	Rotating Kit Assembly	23	29	1
54-005-0261	Brake Mount	14	21	1	92-4625	Camplate	23	19	1
54-005-0282	Front Wheel	14	24	1	92-4626	Washer	23	3	1
54-005-1521	Steering Column Assembly	13	2	1	92-4629	Bearing Race	23	5	2
54-005-1611	Belt Guard	11	7	1	92-4631	Washer	23	13	2
54-005-1611	Belt Guard	12	1	1	92-4633	Screw - Pan Head	23	17	4
54-005-1621	Control Rod	4	5	1	92-4634	Plug Assembly	23	35	2
57-8720	Adaptor	21	16	1	92-4636	Seal Cover	23	15	1
57-9540	Hose - Clamp	21	18	2	92-4637	Trunnion Cover	23	18	1
57-9620	O-Ring	21	20	1	92-4638	Cover - O-Ring	23	16	1
58-6520	Decal - Grease	24	3	10	92-4639	Capscrew	23	54	2
59-0940	Mach. Screw - Rd. Hd.	21	21	3	92-4640	Capscrew	23	34	2
66-004-1621	Air Deflector	1	18	1	92-4641	Key - Drive Shaft	23	7	1
66-004-3211	Key	9	16	1	92-4643	Plug Assembly	23	61	1
66-005-0231	Front Reel Assembly	9	2	1	92-4646	Charge Pump Adaptor	23	52	1
66-005-0231	Front Reel Assembly	5	2	1	92-4650	Seal Kit	23	*	1
66-005-0242	Rear Reel Assembly	9	1	1	92-4656	Plate - Engine Cover	21	11	1
66-005-0242	Rear Reel Assembly	5	1	1	92-4657	Cover - Carb	21	6	1
66-6140	Decal - Toro	24	10	1	93-004-0511	Spacer	21	14	1
67-7920	Decal - Toro	24	7	1	95-0080	Support - Cover	21	5	1
71-3730	Decal - Gas Only	24	14	1					

* Not Illustrated

PRODUCT CHANGES

In an effort to make improvements available to TORO owners as quickly as possible minor changes are incorporated into Toro's products from time to time that do not become immediately shown in the Parts Catalog. If such a change has been made in your unit which is not reflected in your manual see your TORO Distributor or an Authorized Service Dealer for information and part numbers.

IDENTIFICATION & ORDERING

MODEL AND NUMBERS

The TURF SWEEPER 5400HL has two identification numbers; a model number and a serial number. The two numbers are stamped on a plate which is located on the main frame. In any correspondence concerning the Turf Sweeper 5400HL, supply model and serial numbers to assure that correct information and replacement parts are obtained.

To order replacement parts from your TORO Distributor or an Authorized Service Dealer, supply the following information:

1. Model and serial number of the unit.
2. Part number description and the quantity of part (s) desired.

NOTE: Do not order by reference number if a parts catalog is being used: use the PART NUMBER.

TABLE OF CONTENTS

Description	Page	Description	Page
Main Frame Assembly.....	1	Belt Guard & Hose Brackets	14
Hydraulic Motor - No. 01-304-0410.....	2	Steering Assembly.....	15
Hydraulic Valve - No. 01-308-0050.....	3	Brake System	16
Engine Mounting	4	Hopper Lift Arm Assembly.....	17
Gas Tank & Battery Hold Down	5	Hopper Assembly	18
Foot Pedal & Pump Control Rod Assembly	6	Hopper Door Assembly	19
Sweeper Reels & Timing Chain Assembly	7	5400HL - Hydraulic Schematic	20
Chain Idler & Guard Assembly	8	Donaldson Air Cleaner	
Reel Lift Assembly-L.H.....	9	(Optional) - Model 44030.....	21
Reel Lift Assembly-R.H.	10	Cessna Pump - 01-305-0090.....	22 - 23
Belt Drive Assembly	11	Decals	24
Belt Idler Assembly	12	Parts Index.....	25 - 29
Belt Slip Bracket	13		

NOTES

