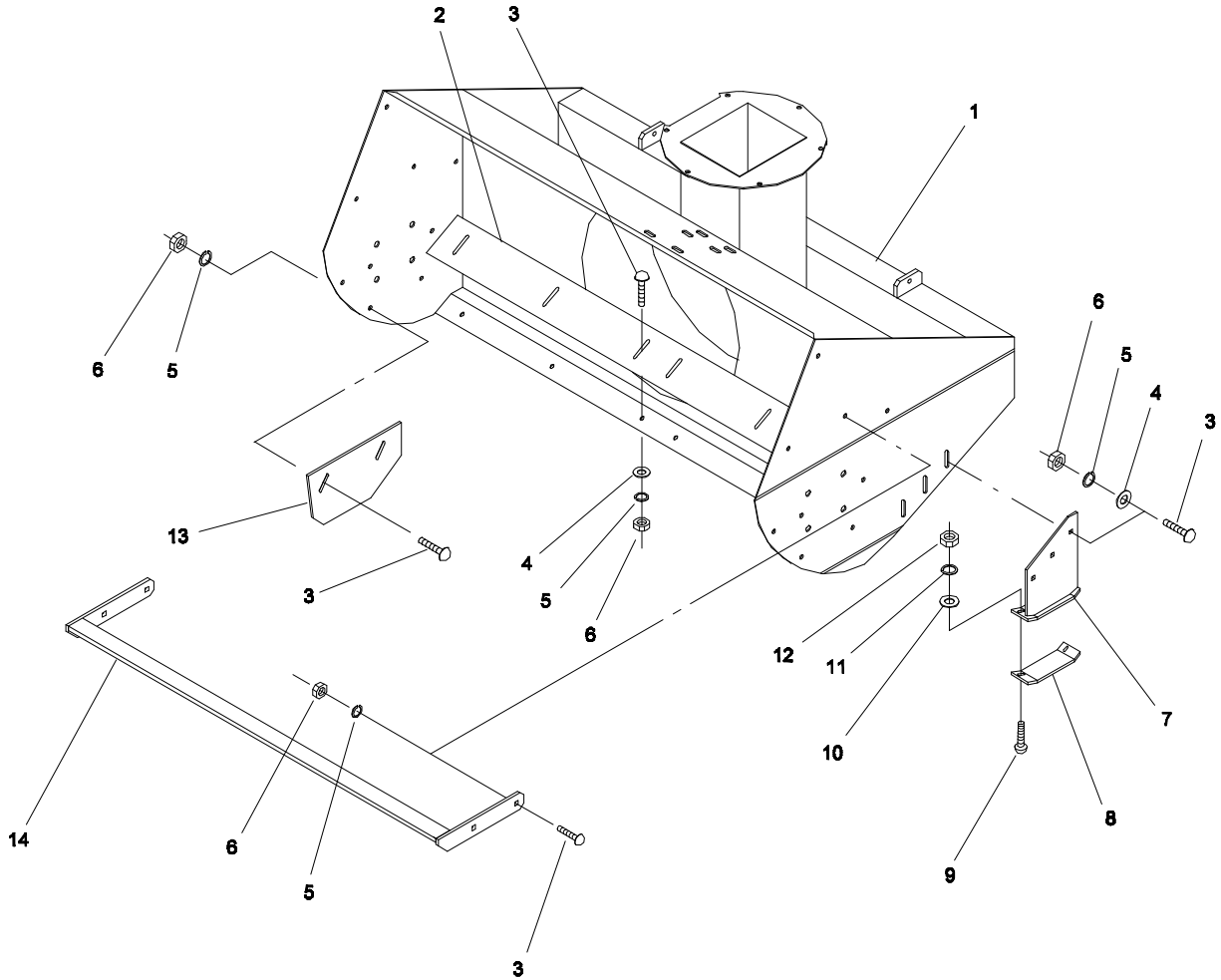




MODEL NO. 44910 - 20101 & UP	PARTS CATALOG
SNOW BLOWER 150 Attachment For Groundsmaster® 300 Series	



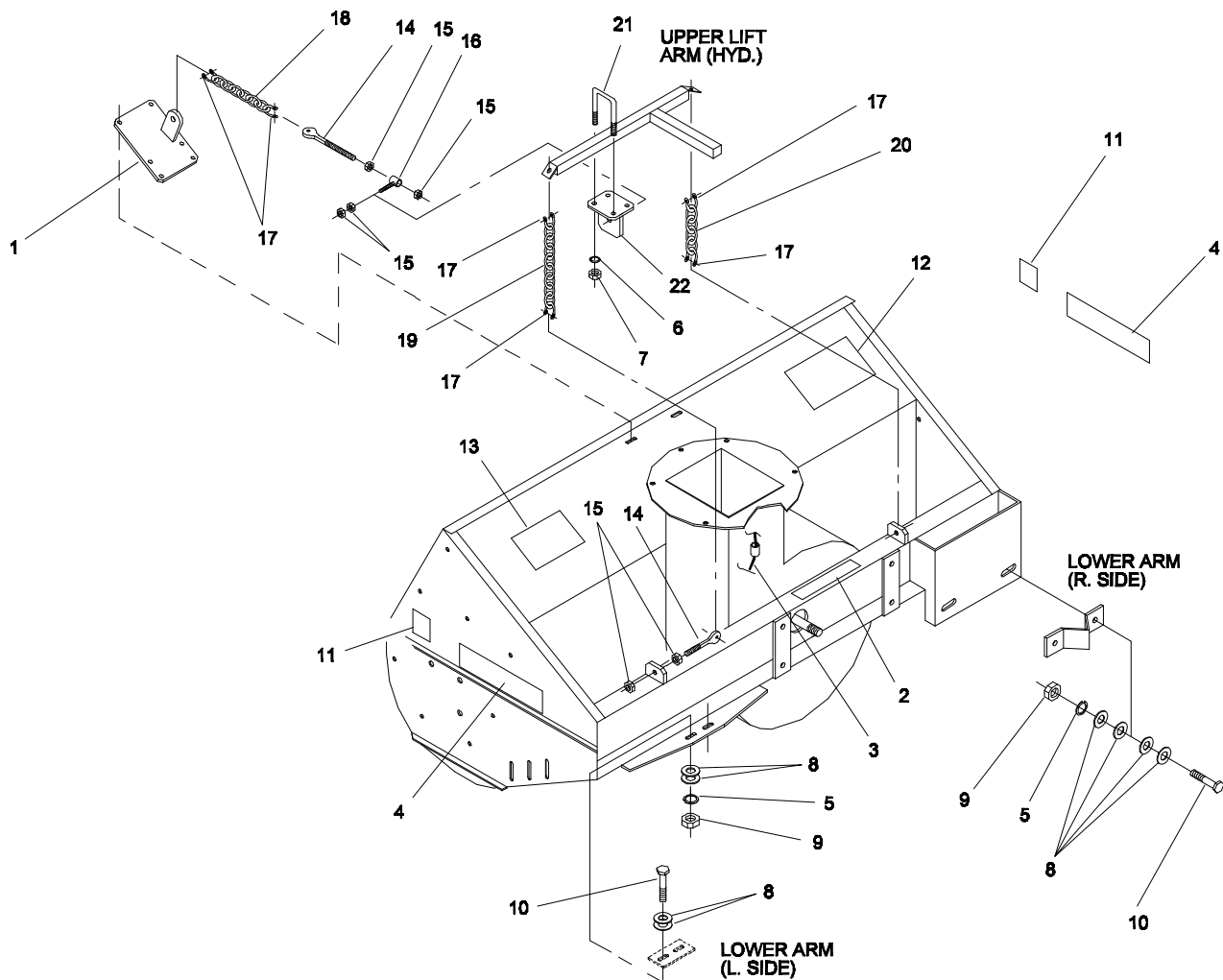
MAIN FRAME ASSEMBLY

150-001

Ref. No.	Part No.	Description	No. Used
1	15-005-0113	Main Frame	1
2	15-004-1131	Scraper Blade	1
3	3231-2	Carriage Bolt	20
4	3256-4	Flat Washer	12
5	3253-5	Lock Washer	20
6	3217-7	Hex Nut	20
7	15-005-0142	L.H. Skid Plate	1
*	15-005-0192	R.H. Skid Plate	1

Ref. No.	Part No.	Description	No. Used
8	15-004-0651	Skid Shoe Bottom	2
9	3230-2	Carriage Bolt	4
10	3256-3	Flat Washer	4
11	3253-4	Lock Washer	4
12	3217-6	Hex Nut	4
13	15-004-1371	Wear Guard	2
14	15-005-0222	Bumper	1

* Not Illustrated

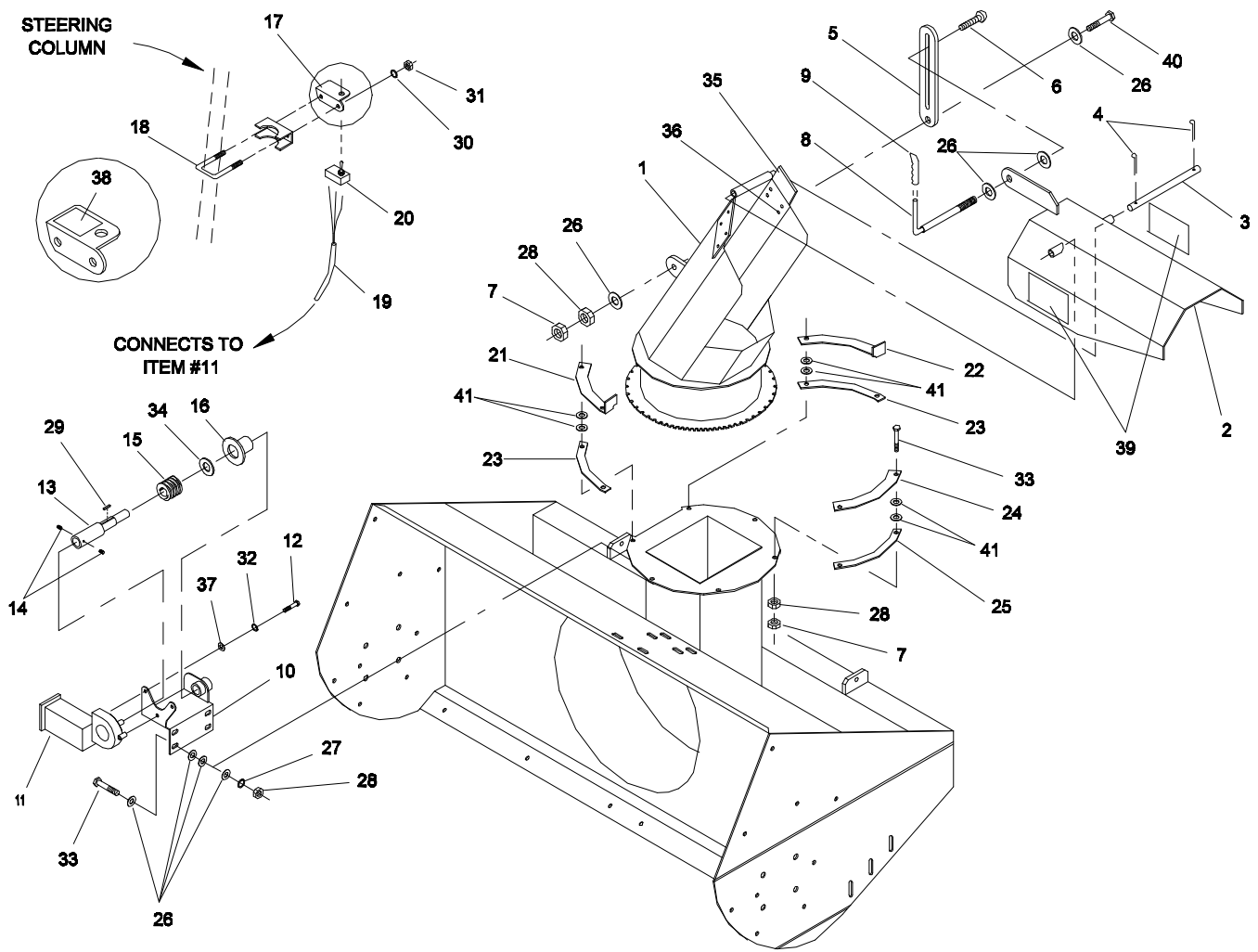


MAIN FRAME ASSEMBLY (Continued)

150-002

Ref. No.	Part No.	Description	No. Used
1	15-005-0242	Pitch Adj. Bracket (Ref)	1
2	01-506-0130	Decal - Danger	1
3	01-607-0380	Wiring Harness	1
4	01-506-0930	Decal - Snow Blower 150	2
5	3253-6	Lock Washer	4
6	3253-5	Lock Washer	4
7	3217-7	Hex Nut	4
8	3256-5	Flat Washer	16
9	3217-8	Hex Nut	4
10	324-6	Capscrew - Hex Hd.	4
11	01-506-0940	Decal - Danger	2

Ref. No.	Part No.	Description	No. Used
12	01-506-0500	Decal - Toro	1
13	01-506-0280	Decal - Danger	1
14	15-005-1621	Adj. Bolt	2
15	3217-9	Hex Nut	6
16	15-005-0281	Pivot Tube	1
17	01-170-0130	Anchor Shackle	6
18	15-004-1061	Lift Chain - 6 Links	1
19	15-004-1071	Lift Chain - 8 Links	1
20	15-004-1051	Lift Chain - 4 Links	1
21	75-004-0501	U-Bolt	2
22	15-005-0251	Arm Pitch Adj. Bracket	1

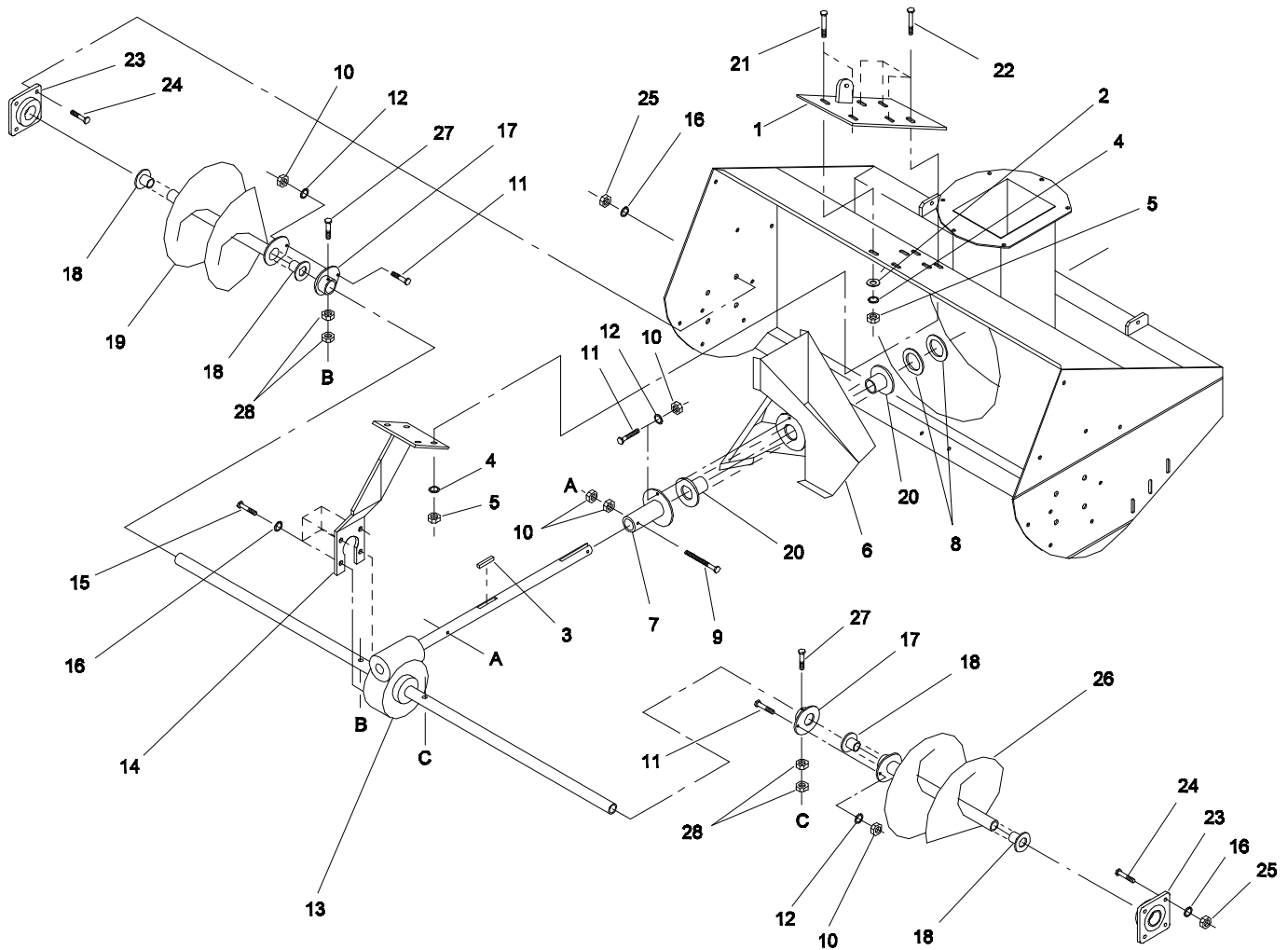


CHUTE ASSEMBLY

150-003

Ref. No.	Part No.	Description	No. Used
1	15-005-1612	Deflector Chute	1
2	15-005-0262	Deflector	1
3	15-004-0781	Hinge Pin	1
4	01-151-0030	Cotter Pin	2
5	15-004-0581	Deflector Slide	1
6	3231-4	Carriage Bolt	1
7	3218-3	Jam Nut	7
8	15-005-0272	Directional Chute Handle	1
9	01-259-0060	Handle Grip	1
10	15-005-1601	Motor Mount	1
11	01-604-0130	Electric Motor	1
12	321-6	Capscrew - Hex Hd.	3
13	15-004-0901	Directional Chute Shaft	1
14	01-163-0080	Set Screw	2
15	01-254-0080	Worm Gear	1
16	01-127-0140	Plastic Bushing	1
17	15-004-0561	Switch Plate	1
18	01-170-0140	U-Bolt w/nuts	1
19	01-607-0380	Wiring Harness	1
20	01-603-0670	Switch	1
21	15-004-1551	Deflector Retainer Strip R.H.	1

Ref. No.	Part No.	Description	No. Used
22	15-004-1541	Deflector Retainer Strip L.H.	1
23	15-004-0831	Spacer	2
24	15-004-1511	Deflector Retainer Strip Center	1
25	15-004-1501	Spacer - Center	1
26	3256-4	Flat Washer	20
27	3253-5	Lock Washer	4
28	3217-7	Hex Nut	11
29	28-004-0241	Key	1
30	3253-4	Lock Washer	2
31	3217-6	Hex Nut	2
32	3253-3	Lock Washer	3
33	323-7	Capscrew - Hex Hd.	10
34	01-168-1218	Machinery Bushing	1
35	15-004-1441	Deflector Seal	2
36	01-161-0030	Pop Rivet	8
37	3256-2	Flat Washer	3
38	01-506-0950	Decal - Chute Rotation	1
39	01-506-0300	Decal - Danger	2
40	323-8	Capscrew - Hex Hd.	1
41	01-314-0350	Copper Washer	12

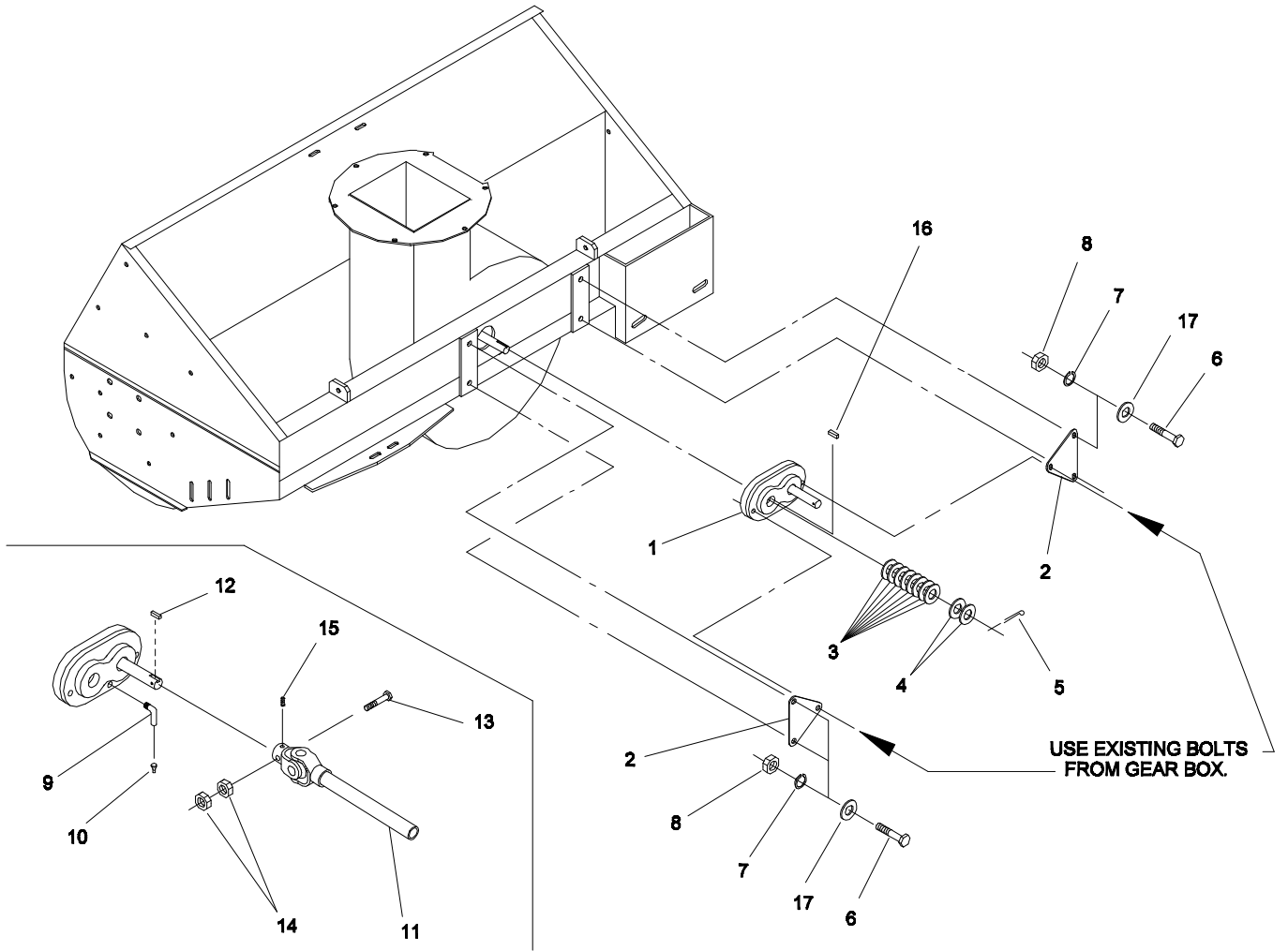


AUGER ASSEMBLY

150-004

Ref. No.	Part No.	Description	No. Used
1	15-005-0242	Pitch Adj. Bracket	1
2	3256-4	Flat Washer	2
3	56-004-2401	Key	1
4	3253-5	Lock Washer	6
5	3217-7	Hex Nut	6
6	15-005-0122	Impeller	1
7	15-005-0232	Impeller Shear Tab Tube	1
8	01-168-1610	Machinery Bushing	2(var)
9	321-11	Capscrew - Hex Hd.	1
10	3217-5	Hex Nut	5
11	321-6	Capscrew - Hex Hd.	3
12	3253-3	Lock Washer	3
13	01-267-0400	Gear Box	1
14	15-005-0182	Gear Box Bracket	1

Ref. No.	Part No.	Description	No. Used
15	325-5	Capscrew - Hex Hd.	4
16	3253-7	Lock Washer	12
17	15-005-0171	Gear Box Shear Tab	2
18	01-126-0110	Bronze Bushing	4
19	15-005-0163	L.H. Auger (right side)	1
20	01-126-0120	Bushing	2
21	323-6	Capscrew - Hex Hd.	2
22	323-7	Capscrew - Hex Hd.	4
23	01-100-0180	Flange Bearing	2
24	325-6	Capscrew - Hex Hd.	8
25	3217-9	Hex Nut	8
26	15-005-0203	R.H. Auger (left side)	1
27	322-11	Capscrew - Hex Hd.	2
28	3217-6	Hex Nut	4



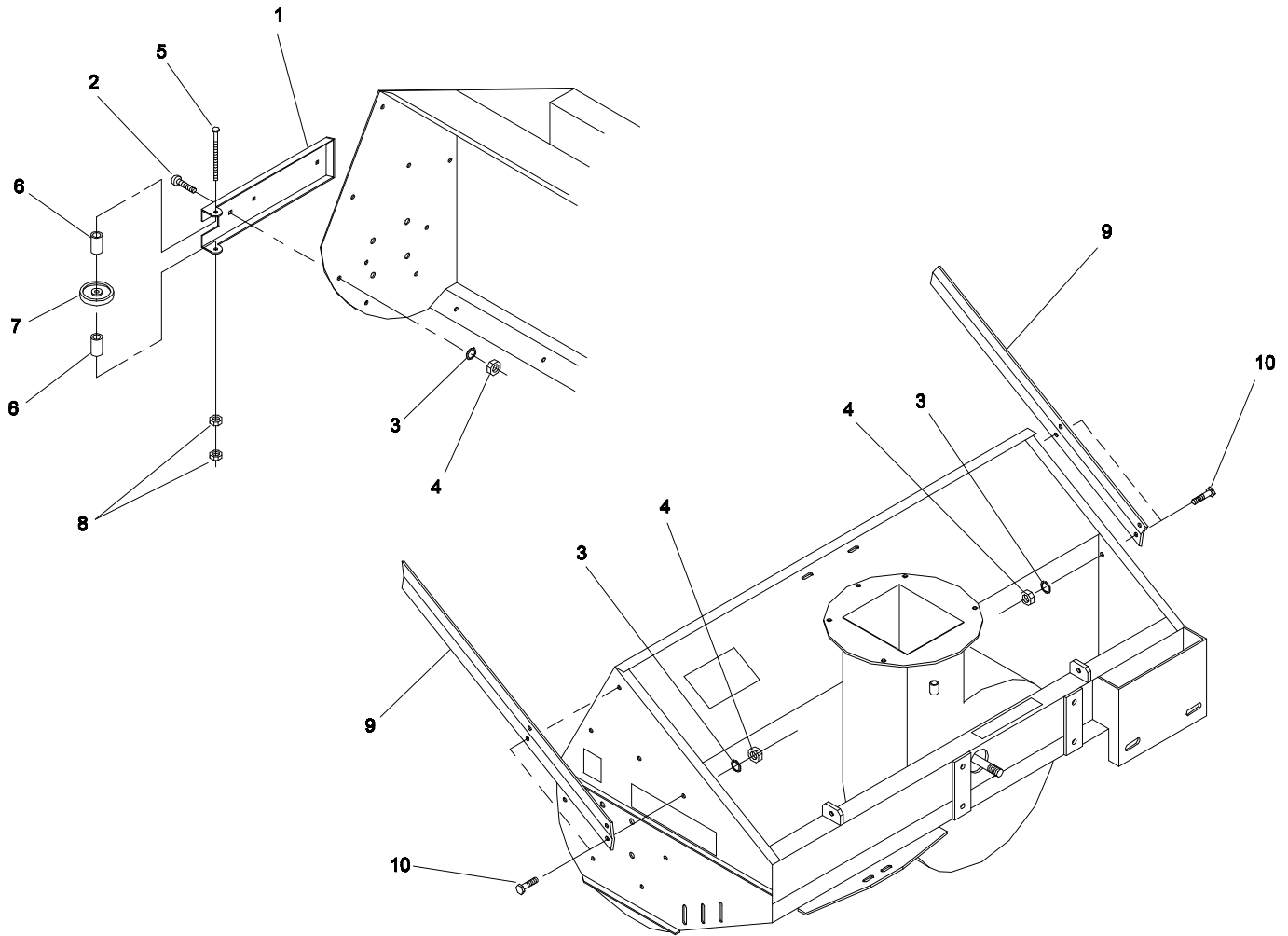
GEARBOX & PTO ASSEMBLY

150-005

Ref. No.	Part No.	Description	No. Used
1	01-267-0390	Gear Box	1
2	15-004-0551	Gear Box Plate	2
3	01-168-1610	Machinery Bushing	8(var)
4	01-168-1614	Machinery Bushing	2(var)
5	3272-33	Cotter Pin	1
6	323-6	Capscrew - Hex Hd.	4
7	3253-5	Lock Washer	4
8	3217-7	Hex Nut	4
9	01-455-0200	Street Elbow	1

Ref. No.	Part No.	Description	No. Used
10	01-451-0020	Pipe Plug	1
11	01-282-0920	PTO Assembly (See Note)	1
12	56-004-2401	Key	1
13	322-14	Capscrew - Hex Hd.	1
14	3217-6	Hex Nut	2
15	01-163-0030	Set Screw	1
16	15-004-1381	Key	1
17	3256-4	Flat Washer	4

NOTE: If you are mounting the 150 Snow Blower on a unit that has a 72" Recycler deck, you will need to replace the short male end of the PTO with the longer male end, part number 92-4663.



ROLLER ASSEMBLY & DRIFT KNIVES (Optional)

150-006

Ref. No.	Part No.	Description	No. Used
1	15-005-0211	Roller Bracket	1
2	3231-4	Carriage Bolt	3
3	3253-5	Lock Washer	7
4	3217-7	Hex Nut	7
5	323-25	Capscrew - Hex Hd.	1
6	15-004-1091	Roller Spacer	2

Ref. No.	Part No.	Description	No. Used
7	01-269-1300	Plastic Wheel	1
8	3218-3	Jam Nut	2
9	15-004-0591	Drift Knife	2
10	323-6	Capscrew - Hex Hd.	4
*	15-008-0091	Roller Bracket Kit (Incl. Ref #1-8)	1

* Not Illustrated

PART NUMBER INDEX

Part No.	Description	Pg. No.	Ref. No.	Qty.	Part No.	Description	Pg. No.	Ref. No.	Qty.
01-100-0180	Flange Bearing	4	23	2	15-005-0222	Bumper	1	14	1
01-126-0110	Bronze Bushing	4	18	4	15-005-0232	Impeller Shear Tab Tube	4	7	1
01-126-0120	Bushing	4	20	2	15-005-0242	Pitch Adj. Bracket	2	1	1
01-127-0140	Plastic Bushing	3	16	1	15-005-0242	Pitch Adj. Bracket	4	1	1
01-161-0030	Pop Rivet	3	36	8	15-005-0251	Arm Pitch Adj. Bracket	2	22	1
01-163-0030	Set Screw	5	15	1	15-005-0262	Deflector	3	2	1
01-163-0080	Set Screw	3	14	2	15-005-0272	Directional Chute Handle	3	8	1
01-168-1218	Machinery Bushing	3	34	1	15-005-0281	Pivot Tube	2	16	1
01-168-1610	Machinery Bushing	4	8	2	15-005-1601	Motor Mount	3	10	1
01-168-1610	Machinery Bushing	5	3	8	15-005-1612	Deflector Chute	3	1	1
01-168-1614	Machinery Bushing	5	4	2	15-005-1621	Adj. Bolt	2	14	2
01-170-0130	Anchor Shackle	2	17	6	15-008-0091	Roller Bracket Kit	6	*	1
01-170-0140	U-Bolt	3	18	1	28-004-0241	Key	3	29	1
01-254-0080	Worm Gear	3	15	1	321-11	Capscrew - Hex Hd.	4	9	1
01-259-0060	Handle Grip	3	9	1	321-6	Capscrew - Hex Hd.	3	12	3
01-267-0390	Gear Box	5	1	1	321-6	Capscrew - Hex Hd.	4	11	3
01-267-0400	Gear Box	4	13	1	3217-5	Hex Nut	4	10	5
01-269-1300	Plastic Wheel	6	7	1	3217-6	Hex Nut	1	12	4
01-282-0920	PTO Assembly	5	11	1	3217-6	Hex Nut	3	31	2
01-314-0350	Copper Washer	3	41	12	3217-6	Hex Nut	4	28	4
01-451-0020	Pipe Plug	5	10	1	3217-6	Hex Nut	5	14	2
01-455-0200	Street Elbow	5	9	1	3217-7	Hex Nut	1	6	20
01-506-0130	Decal - Danger	2	2	1	3217-7	Hex Nut	2	7	4
01-506-0280	Decal - Danger	2	13	1	3217-7	Hex Nut	3	28	11
01-506-0300	Decal - Danger	3	39	2	3217-7	Hex Nut	4	5	6
01-506-0930	Decal - Snow Blower 150	2	4	2	3217-7	Hex Nut	5	8	4
01-603-0670	Switch	3	20	1	3217-7	Hex Nut	6	4	7
01-604-0130	Electric Motor	3	11	1	3217-8	Hex Nut	2	9	4
01-607-0380	Wiring Harness	2	3	1	3217-9	Hex Nut	2	15	6
01-607-0380	Wiring Harness	3	19	1	3217-9	Hex Nut	4	25	8
15-004-0551	Gear Box Plate	5	2	2	3218-3	Jam Nut	3	7	7
15-004-0561	Switch Plate	3	17	1	3218-3	Jam Nut	6	8	2
15-004-0581	Deflector Slide	3	5	1	322-11	Capscrew - Hex Hd.	4	27	2
15-004-0591	Drift Knife	6	9	2	322-14	Capscrew - Hex Hd.	5	13	1
15-004-0651	Skid Shoe Bottom	1	8	2	323-25	Capscrew - Hex Hd.	6	5	1
15-004-0781	Hinge Pin	3	3	1	323-6	Capscrew - Hex Hd.	4	21	2
15-004-0831	Spacer	3	23	2	323-6	Capscrew - Hex Hd.	5	6	4
15-004-0901	Directional Chute Shaft	3	13	1	323-6	Capscrew - Hex Hd.	6	10	4
15-004-1051	Lift Chain	2	20	1	323-7	Capscrew - Hex Hd.	3	33	10
15-004-1061	Lift Chain	2	18	1	323-7	Capscrew - Hex Hd.	4	22	4
15-004-1071	Lift Chain	2	19	1	323-8	Capscrew - Hex Hd.	3	40	1
15-004-1091	Roller Spacer	6	6	2	3230-2	Carriage Bolt	1	9	4
15-004-1131	Scraper Blade	1	2	1	3231-2	Carriage Bolt	1	3	20
15-004-1371	Wear Guard	1	13	2	3231-4	Carriage Bolt	3	6	1
15-004-1381	Key	5	16	1	3231-4	Carriage Bolt	6	2	3
15-004-1441	Deflector Seal	3	35	2	324-6	Capscrew - Hex Hd.	2	10	4
15-004-1501	Spacer - Center	3	25	1	325-5	Capscrew - Hex Hd.	4	15	4
15-004-1511	Deflector Retainer Strip Center	3	24	1	325-6	Capscrew - Hex Hd.	4	24	8
15-004-1541	Deflector Retainer Strip L.H.	3	22	1	3253-3	Lock Washer	3	32	3
15-004-1551	Deflector Retainer Strip R.H.	3	21	1	3253-3	Lock Washer	4	12	3
15-005-0113	Main Frame	1	1	1	3253-4	Lock Washer	1	11	4
15-005-0122	Impeller	4	6	1	3253-4	Lock Washer	3	30	2
15-005-0142	L.H. Skid Plate	1	7	1	3253-5	Lock Washer	1	5	20
15-005-0163	L.H. Auger	4	19	1	3253-5	Lock Washer	2	6	4
15-005-0171	Gear Box Shear Tab	4	17	2	3253-5	Lock Washer	3	27	4
15-005-0182	Gear Box Bracket	4	14	1	3253-5	Lock Washer	4	4	6
15-005-0192	R.H. Skid Plate	1	*	1	3253-5	Lock Washer	5	7	4
15-005-0203	R.H. Auger	4	26	1	3253-5	Lock Washer	6	3	7
15-005-0211	Roller Bracket	6	1	1	3253-6	Lock Washer	2	5	4

* Not Illustrated

PART NUMBER INDEX (Continued)

Part No.	Description	Pg. No.	Ref. No.	Qty.	Part No.	Description	Pg. No.	Ref. No.	Qty.
3253-7	Lock Washer	4	16	12	3272-33	Cotter Pin	5	5	1
3256-2	Flat Washer	3	37	3	3272-48	Cotter Pin	3	4	2
3256-3	Flat Washer	1	10	4	53-7670	Decal - Danger	2	11	2
3256-4	Flat Washer	1	4	12	56-004-2401	Key	4	3	1
3256-4	Flat Washer	3	26	20	56-004-2401	Key	5	12	1
3256-4	Flat Washer	4	2	2	62-7400	Decal - Toro	2	12	1
3256-4	Flat Washer	5	17	4	63-3510	Decal - Chute Rotation	3	38	1
3256-5	Flat Washer	2	8	16	75-004-0501	U-Bolt	2	21	2

* Not Illustrated

PRODUCT CHANGES

In an effort to make improvements available to TORO owners as quickly as possible minor changes are incorporated into Toro's products from time to time that do not become immediately shown in the Parts Catalog. If such a change has been made in your unit which is not reflected in your manual see your TORO Distributor or an Authorized Service Dealer for information and part numbers.

IDENTIFICATION & ORDERING

MODEL AND NUMBERS

The SNOW BLOWER 150 has two identification numbers; a model number and a serial number. The two numbers are stamped on a plate which is located on the main frame. In any correspondence concerning the Snow Blower 150, supply model and serial numbers to assure that correct information and replacement parts are obtained.

To order replacement parts from your TORO Distributor or an Authorized Service Dealer, supply the following information:

1. Model and serial number of the unit.
2. Part number description and the quantity of part (s) desired.

NOTE: Do not order by reference number if a parts catalog is being used: use the PART NUMBER.

TABLE OF CONTENTS

Description	Page	Description	Page
Main Frame Assembly	1 - 2	Gearbox & PTO Assembly	5
Chute Assembly	3	Roller Assembly & Drift Knives	6
Auger Assembly	4	Part Number Index	7 - 8

NOTES

NOTES

