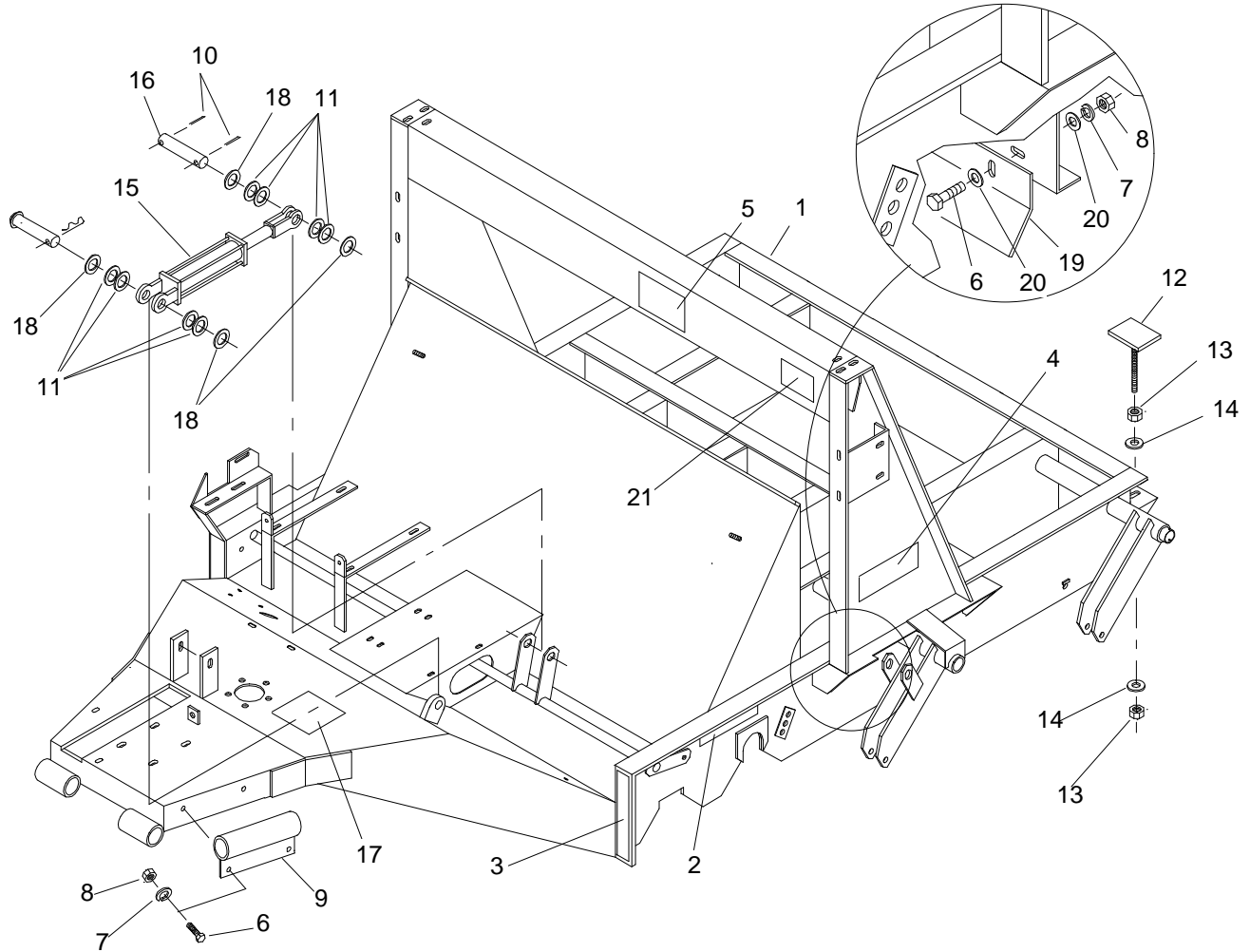




MODEL NO. 44082 - 20101 & UP

**PARTS
CATALOG**

TURF SWEEPER 1660HL

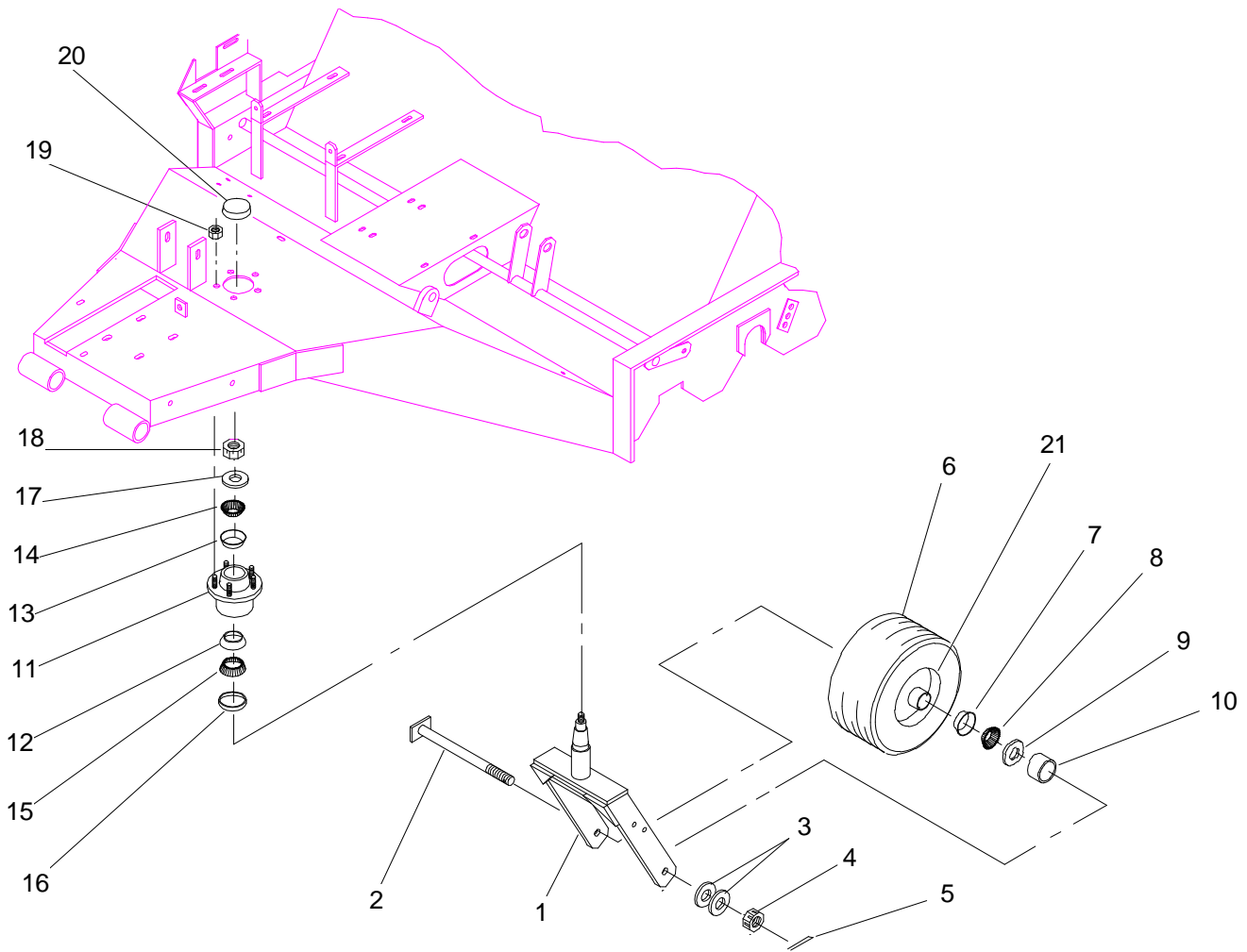


MAIN FRAME ASSEMBLY

66HLP001

Ref. No.	Part No.	Description	No. Used	Ref. No.	Part No.	Description	No. Used
1	66-005-5244	Main Frame	1	12	66-005-0421	Hopper Stop Pad	2
2	01-506-0080	Decal - Danger	1	13	3217-11	Hex Nut	4
3	01-506-0150	Decal - Height Gauge	1	14	3256-7	Flat Washer	4
4	01-506-0730	Decal - Turf Sweeper 1660HL	2	15	01-301-0060	Cylinder	1
5	01-506-0520	Decal - Toro	1	*	01-301-0100	Seal Kit	1
6	323-7	Capscrew - Hex Hd.	6	16	66-004-2171	Cylinder Pin	1
7	3253-5	Lock Washer	6	17	01-506-1150	Decal - Danger	1
8	3217-7	Hex Nut	6	18	01-168-1610	Machinery Bushing	4(var)
9	66-005-4991	Hose Tube	1	19	66-004-1621	Air Deflector	1
10	3272-23	Cotter Pin	2	20	3256-4	Flat Washer	8
11	01-168-1614	Machinery Bushing	8(var)	21	01-506-0070	Decal - Danger	1

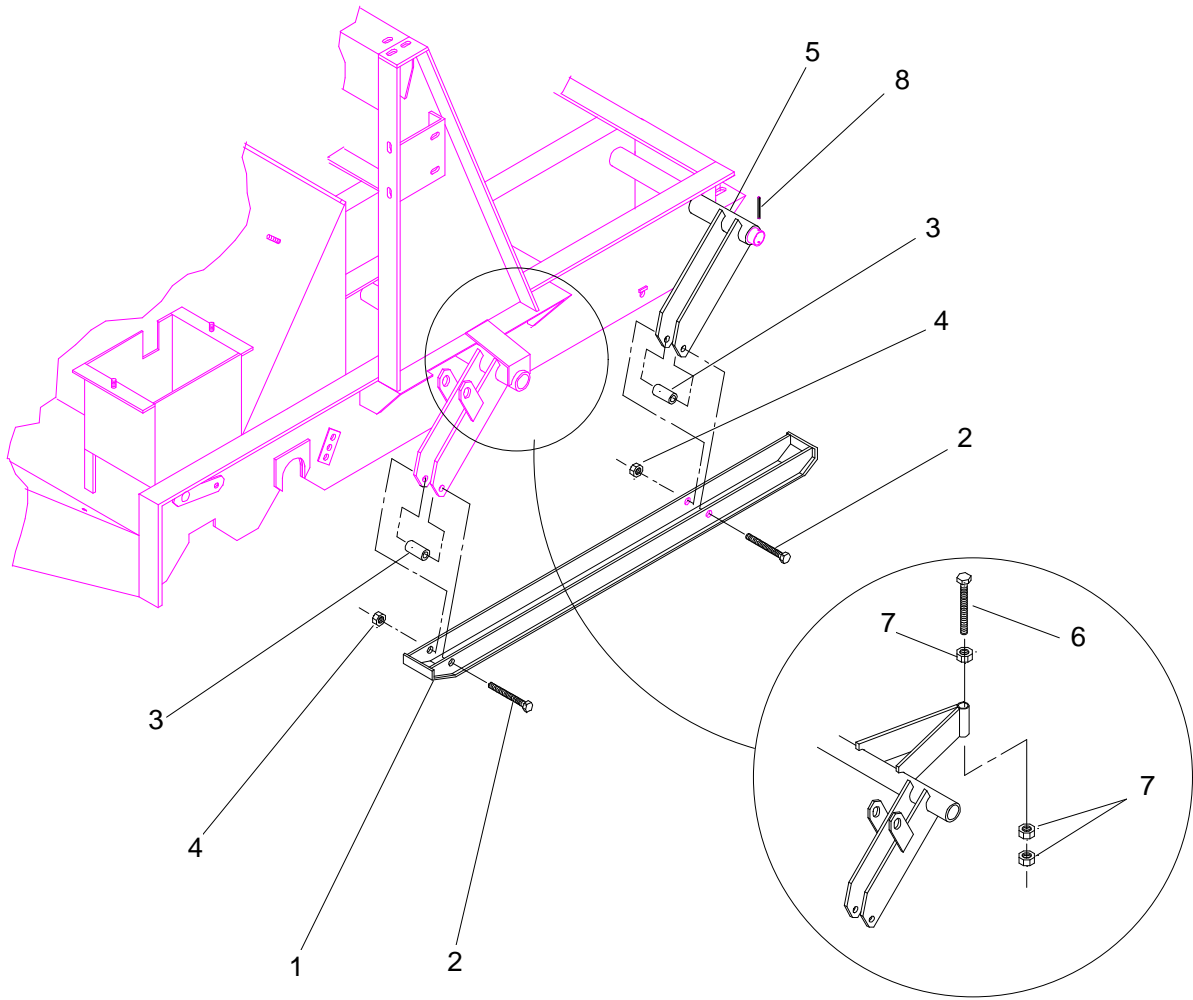
* Not Illustrated



WHEEL ASSEMBLY

66HLP002

Ref. No.	Part No.	Description	No. Used	Ref. No.	Part No.	Description	No. Used
1	66-005-3481	Yoke Assembly	1	13	01-103-0140	Outer Race	1
2	48-005-0421	Axle Bolt Assembly	5	14	01-102-0070	Outer Bearing	1
3	01-168-1210	Machinery Bushing	2(var)	15	01-102-0050	Inner Bearing	1
4	01-190-1210	Castle Nut	5	16	01-405-0370	Seal	1
5	3272-23	Cotter Pin	7	17	3256-28	"SAE" Flat Washer	1
6	01-269-0320	Tire	5	18	01-190-1216	Castle Nut	1
7	01-103-0130	Race	10	19	01-269-0300	Lug Nut	5
8	01-102-0130	Bearing	10	20	01-286-0040	Dust Cap	1
9	01-405-0460	Oil Seal	10	21	01-269-0340	Wheel	5
10	01-269-0060	Wheel Spacer	10				
11	01-269-0140	Steering Hub	1				
12	01-103-0040	Inner Race	1				



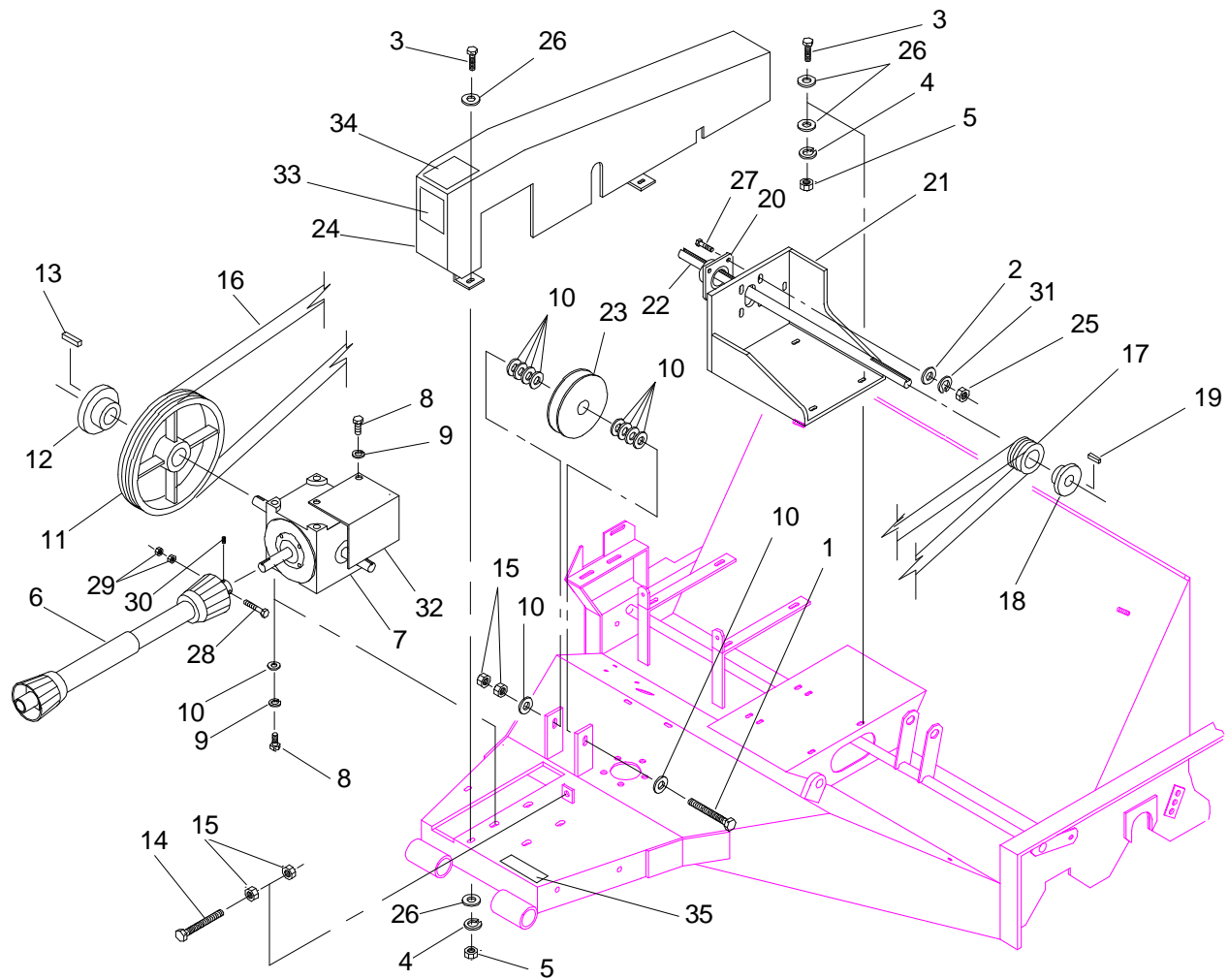
SKID ASSEMBLY

66HL-003

Ref. No.	Part No.	Description	No. Used
1	66-005-0381	Skid Assembly	2
2	327-16	Capscrew - Hex Hd.	4
3	66-004-2161	Spacer	4
4	3296-53	Lock Nut	4
5	66-005-0361	Rear Outrigger-L.H.	1
*	66-005-4221	Rear Outrigger-R.H.	1

Ref. No.	Part No.	Description	No. Used
6	01-182-1256	Capscrew - Hex Hd.	2
7	3217-12	Hex Nut	6
8	32121-10	Roll Pin	2

* Not Illustrated

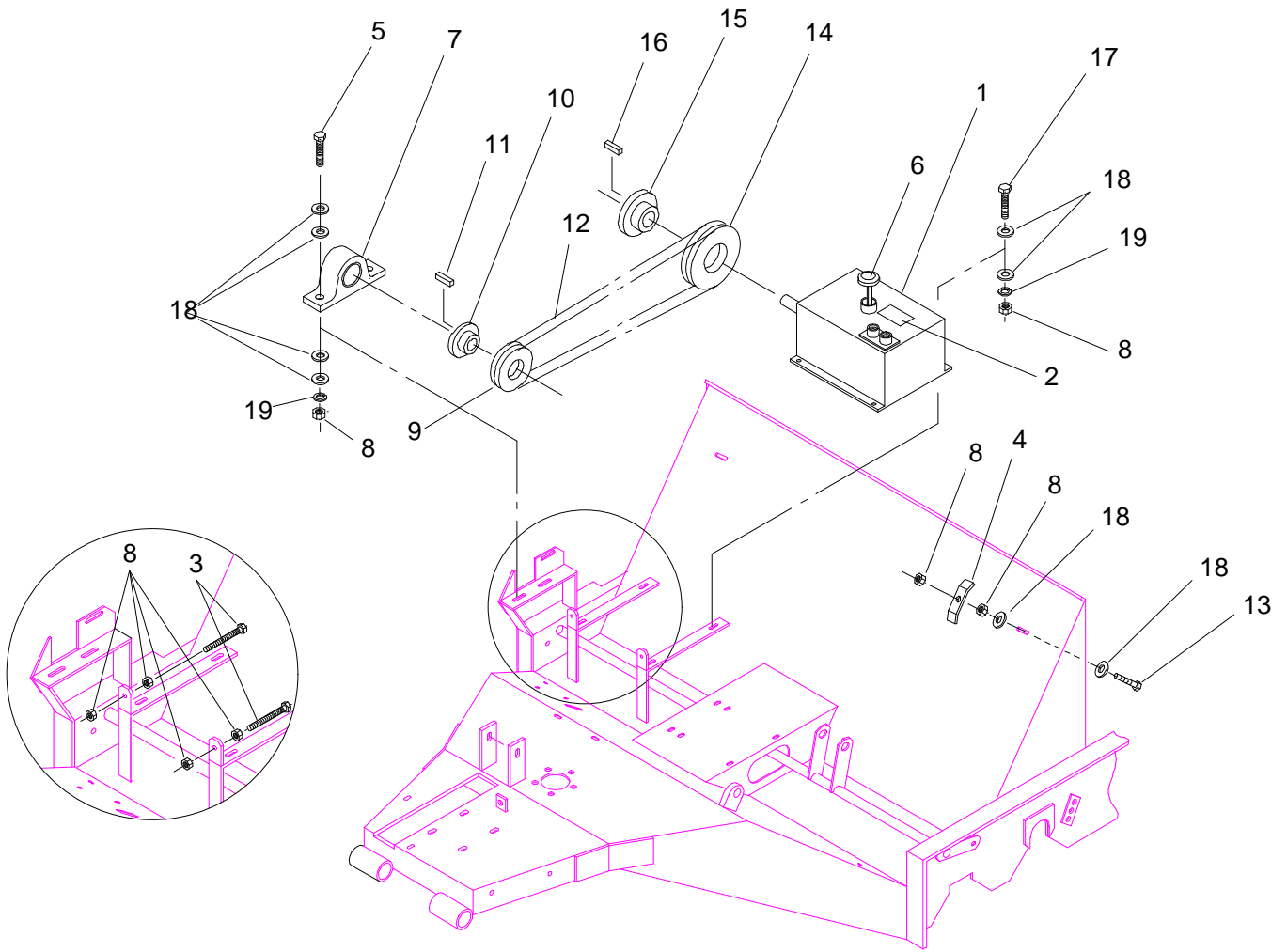


DRIVE SYSTEM

66HLP014

Ref. No.	Part No.	Description	No. Used
1	325-22	Capscrew - Hex Hd.	1
2	3256-5	Flat Washer	4
3	323-7	Capscrew - Hex Hd.	8
4	3253-5	Lock Washer	8
5	3217-7	Hex Nut	8
6	01-282-0890	PTO Assembly	1
7	01-267-0050	Gearbox	1
8	325-5	Capscrew - Hex Hd.	6
9	3253-7	Lock Washer	6
10	3256-6	Flat Washer	25(var)
11	01-260-1530	Sheave	1
12	01-260-0290	Bushing	1
13	66-004-3211	Key	1
14	01-182-0824	Capscrew - Hex Hd.	1
15	3217-9	Hex Nut	4
16	01-264-0620	Belt	1
17	01-260-1050	Sheave	1
18	01-260-0280	Bushing	1

Ref. No.	Part No.	Description	No. Used
19	82-004-1171	Key	1
20	01-100-0190	Bearing	1
21	66-005-5212	Gearbox Bracket	1
22	66-004-5121	Jackshaft	1
23	01-268-0080	Idler Pulley	1
24	66-005-4972	Guard	1
25	3217-8	Hex Nut	4
26	3256-4	Flat Washer	16
27	324-6	Capscrew - Hex Hd.	4
28	322-13	Capscrew - Hex Hd.	1
29	3217-6	Hex Nut	2
30	01-163-0030	Set Screw	1
31	3253-6	Lock Washer	4
32	66-004-5341	Shaft Cover	1
33	01-506-0040	Decal - Danger	1
34	01-506-0160	Decal - Important	1
35	01-506-0130	Decal - Danger	1



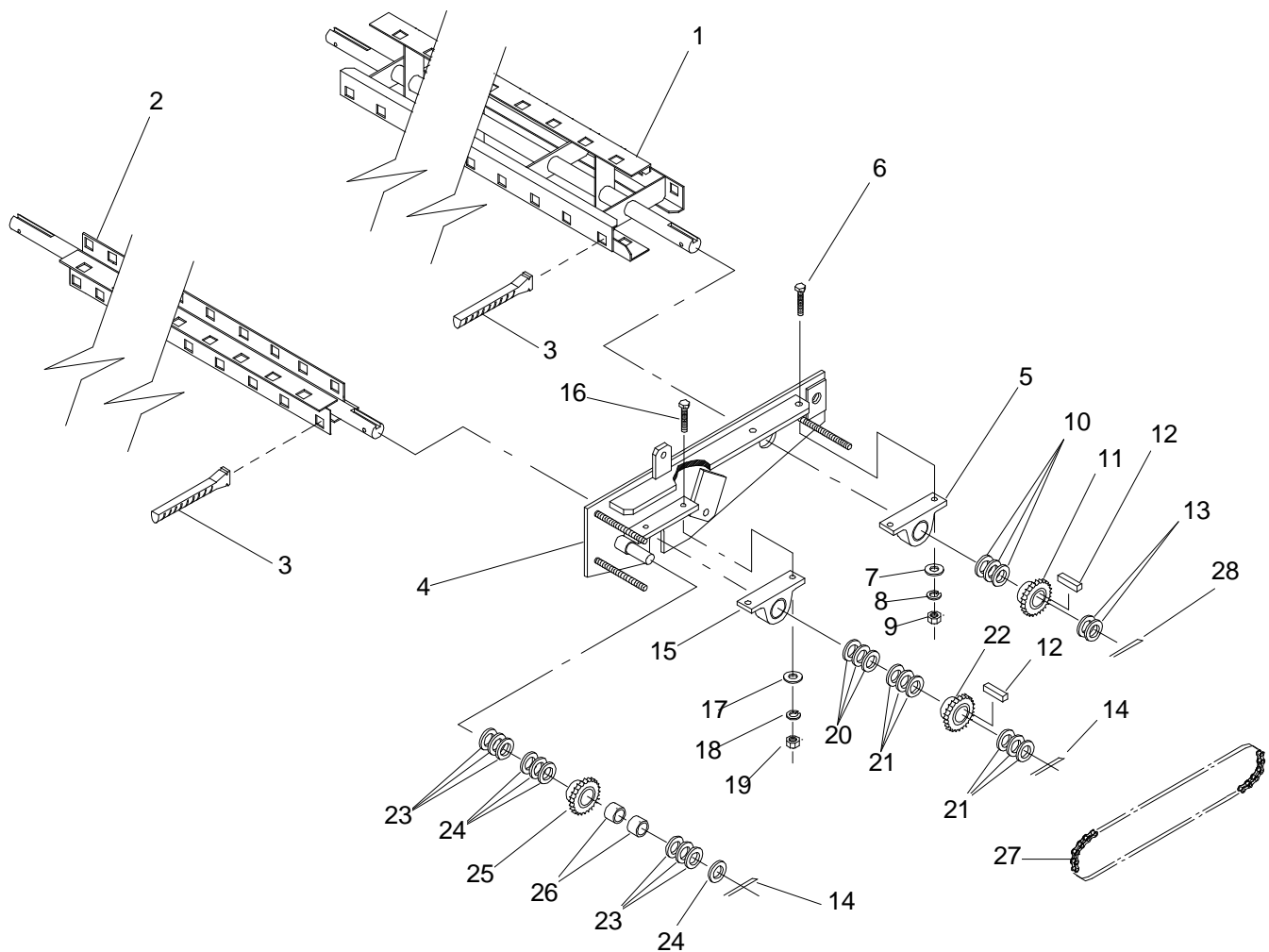
PUMP MOUNTING

66HLP004

Ref. No.	Part No.	Description	No. Used
1	01-305-0010	Pump	1
*	01-305-0620	Seal Kit	1
2	01-506-0560	Decal - Hydraulic Oil	1
3	01-182-0624	Capscrew - Hex Hd.	2
4	48-004-3431	Hose Bracket	1
5	323-10	Capscrew - Hex Hd.	2
6	41-002-0061	Dipstick	1
7	01-113-0010	Bearing	1
8	3217-7	Hex Nut	12
9	01-260-0040	Sheave	1

Ref. No.	Part No.	Description	No. Used
10	01-260-0190	Bushing	1
11	48-004-1931	Key	1
12	01-264-0190	Belt	1
13	01-182-0614	Capscrew - Hex Hd.	1
14	01-260-0020	Sheave	1
15	01-260-0230	Bushing	1
16	84-004-2851	Key	1
17	323-6	Capscrew - Hex Hd.	4
18	3256-4	Flat Washer	18
19	3253-5	Lock Washer	6

* Not Illustrated

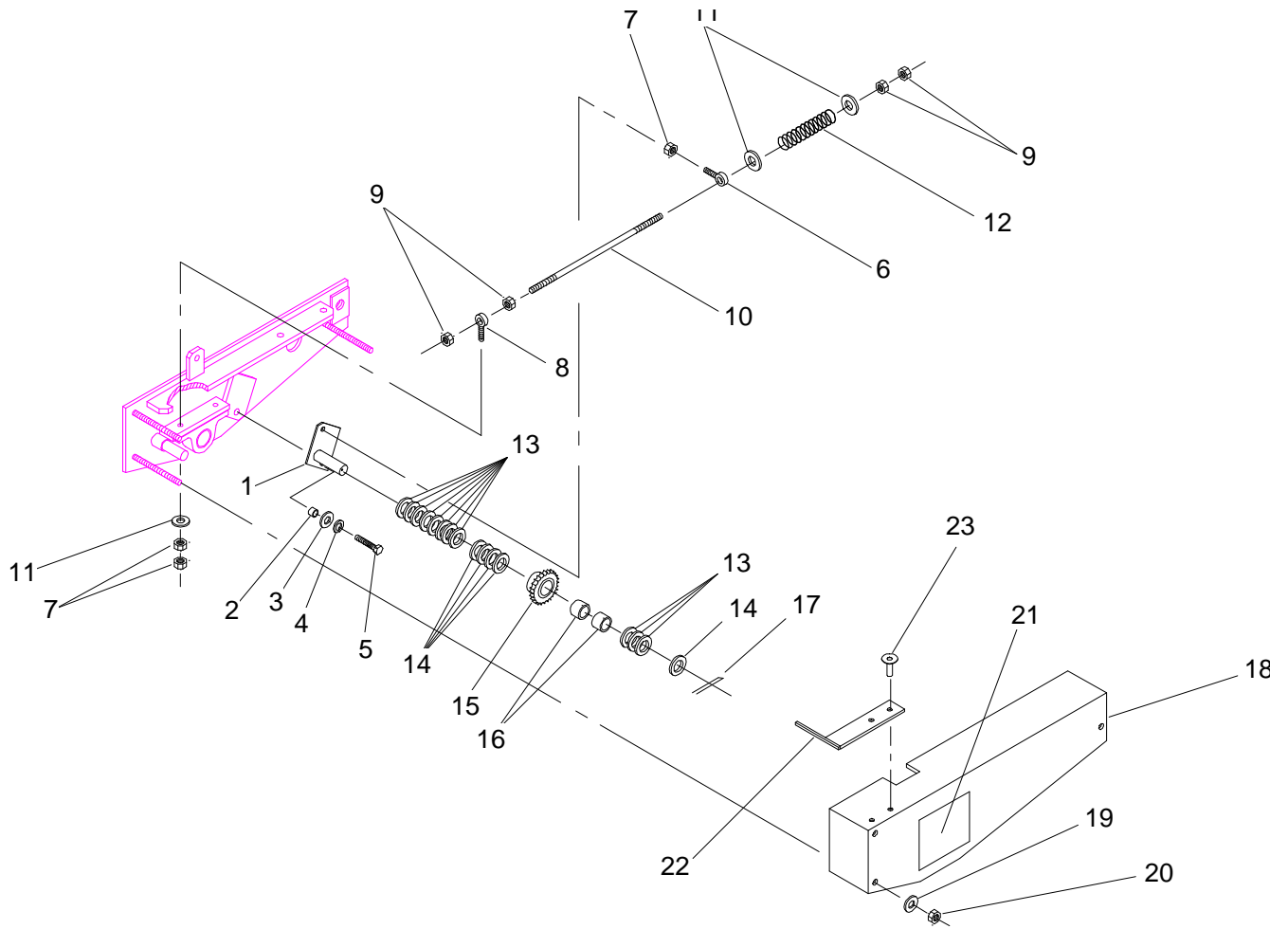


SWEEPER REEL & TIMING CHAIN ASSEMBLY

54-008

Ref. No.	Part No.	Description	No. Used	Ref. No.	Part No.	Description	No. Used
1	66-005-0242	Rear Reel Assembly	1	18	3253-5	Lock Washer	1
2	66-005-0231	Front Reel Assembly	1	19	3217-7	Hex Nut	1
3	01-279-0010	Rubber Fingers	140	20	01-168-1610	Machinery Bushing	3(var)
4	48-005-0182	Reel Plate Assembly- L.H.	1	21	01-168-1614	Machinery Bushing	6(var)
5	01-113-0020	Bearing	1	22	01-262-0530	Sprocket	1
6	325-7	Capscrew - Hex Hd.	2	23	01-168-1410	Machinery Bushing	6(var)
7	3256-6	Flat Washer	2	24	01-168-1414	Machinery Bushing	4(var)
8	3253-7	Lock Washer	2	25	01-262-0610	Sprocket	1
9	3217-9	Hex Nut	2	26	01-105-0520	Needle Bearing	2
10	01-168-2014	Machinery Bushing	3(var)	27	54-004-0941	Reel Chain	1
11	01-262-0520	Sprocket	1	*	01-251-0020	Offset Link	1
12	48-004-1931	Key	2	*	48-002-5441	Idler Sprocket Assembly (Incl. Ref. #25, 26)	1
13	01-168-2010	Machinery Bushing	2	28	3272-25	Cotter Pin	1
14	3272-23	Cotter Pin	2				
15	01-113-0010	Bearing	1				
16	323-8	Capscrew - Hex Hd.	1				
17	3256-4	Flat Washer	1				

* Not Illustrated

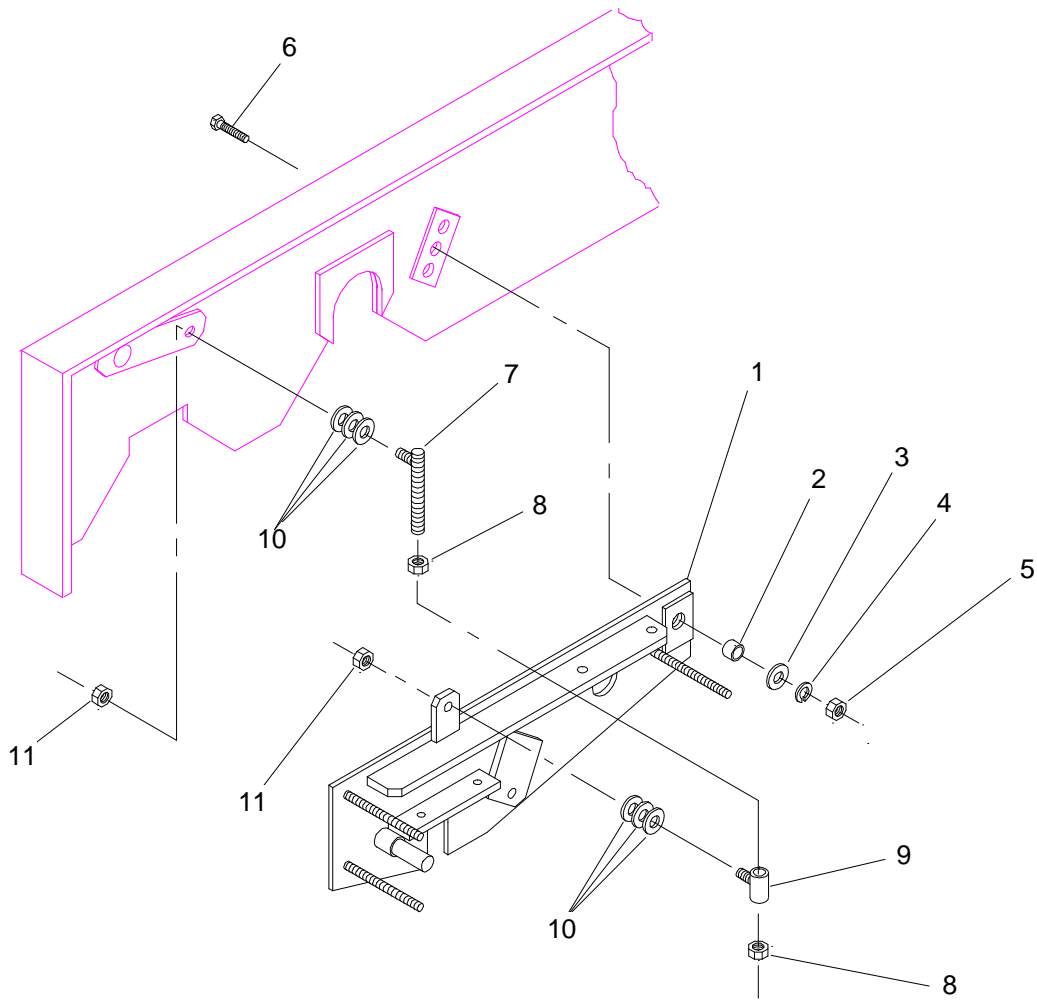


CHAIN IDLER & GUARD ASSEMBLY

166-001

Ref. No.	Part No.	Description	No. Used	Ref. No.	Part No.	Description	No. Used
1	48-005-0191	Idler Shaft Assembly	1	14	01-168-1414	Machinery Bushing	5(var)
2	48-004-3881	Spacer	1	15	01-262-0610	Sprocket	1
3	3256-26	"SAE" Flat Washer	1	16	01-105-0520	Needle Bearing	2
4	3253-7	Lock Washer	1	17	3272-23	Cotter Pin	1
5	325-5	Capscrew - Hex Hd.	1	18	48-005-0162	Idler Cover	1
6	02-250-0020	Rod End Bearing	1	19	3256-5	Flat Washer	3
7	3220-3	Jam Nut	3	20	3296-48	Lock Nut	3
8	01-250-0020	Rod End Bearing	1	21	01-506-0050	Decal - Danger	1
9	3217-7	Hex Nut	4	*	48-002-5441	Idler Sprocket Assembly (Incl. Ref. # 15, 16)	1
10	48-004-3891	Idler Spring Rod	1	22	66-005-0371	Reel Height Indicator	1
11	3256-4	Flat Washer	3	23	01-161-0030	Pop Rivet	2
12	01-261-0300	Spring	1				
13	01-168-1410	Machinery Bushing	11(var)				

* Not Illustrated

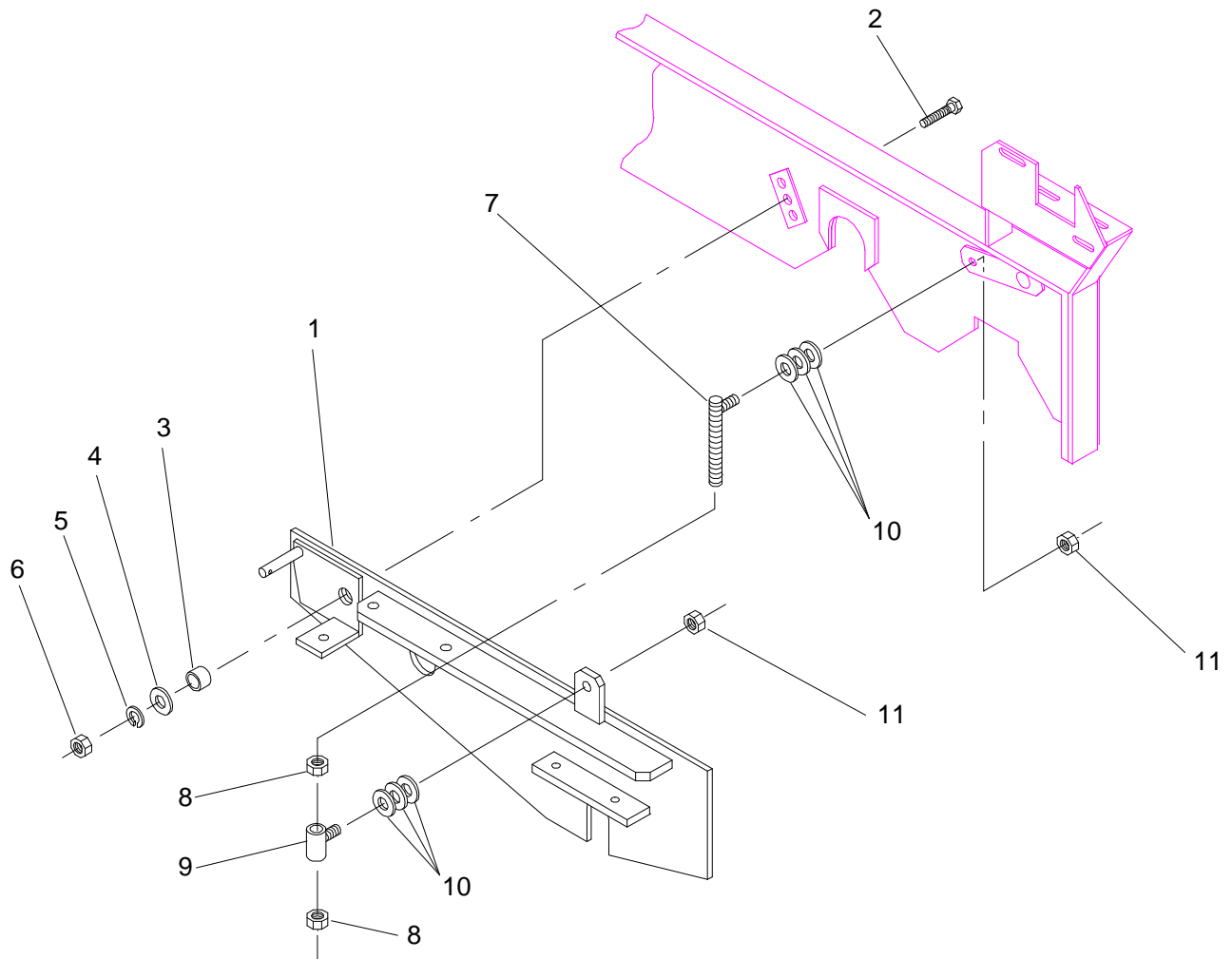


REEL LIFT ASSEMBLY - L.H.

66HL-005

Ref. No.	Part No.	Description	No. Used
1	48-005-0182	Reel Plate Assembly-L.H.	1
2	48-004-5841	Reel Plate Spacer	1
3	3256-27	"SAE" Flat Washer	1
4	3253-8	Lock Washer	1
5	3218-6	Jam Nut	1
6	327-6	Capscrew - Hex Hd.	1

Ref. No.	Part No.	Description	No. Used
7	66-005-0201	Reel Lift Rod Assembly-L.H.	1
8	3217-11	Hex Nut	2
9	48-005-0591	Reel Lift Tube Assembly	1
10	3256-6	Flat Washer	6
11	01-189-0813	Lock Nut	2

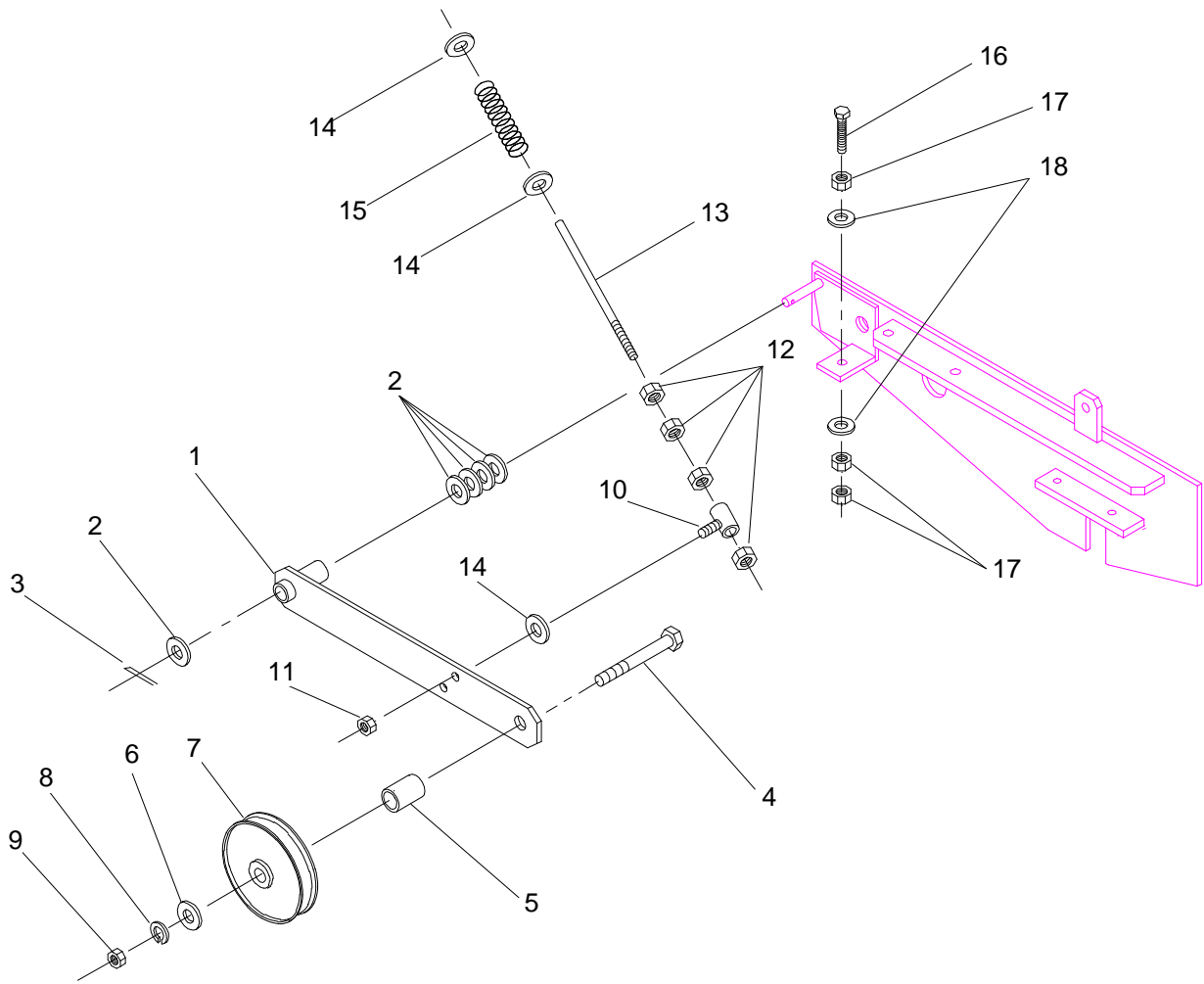


REEL LIFT ASSEMBLY - R.H.

66HL-006

Ref. No.	Part No.	Description	No. Used
1	48-005-0172	Reel Plate Assembly-R.H.	1
2	327-6	Capscrew - Hex Hd.	1
3	48-004-5841	Reel Plate Spacer	1
4	3256-27	"SAE" Flat Washer	1
5	3253-8	Lock Washer	1
6	3218-6	Jam Nut	1
7	66-005-0201	Reel Lift Rod Assembly-R.H.	1

Ref. No.	Part No.	Description	No. Used
8	3217-11	Hex Nut	2
9	48-005-0591	Reel Lift Tube Assembly	1
10	3256-6	Flat Washer	6
11	01-189-0813	Lock Nut	2

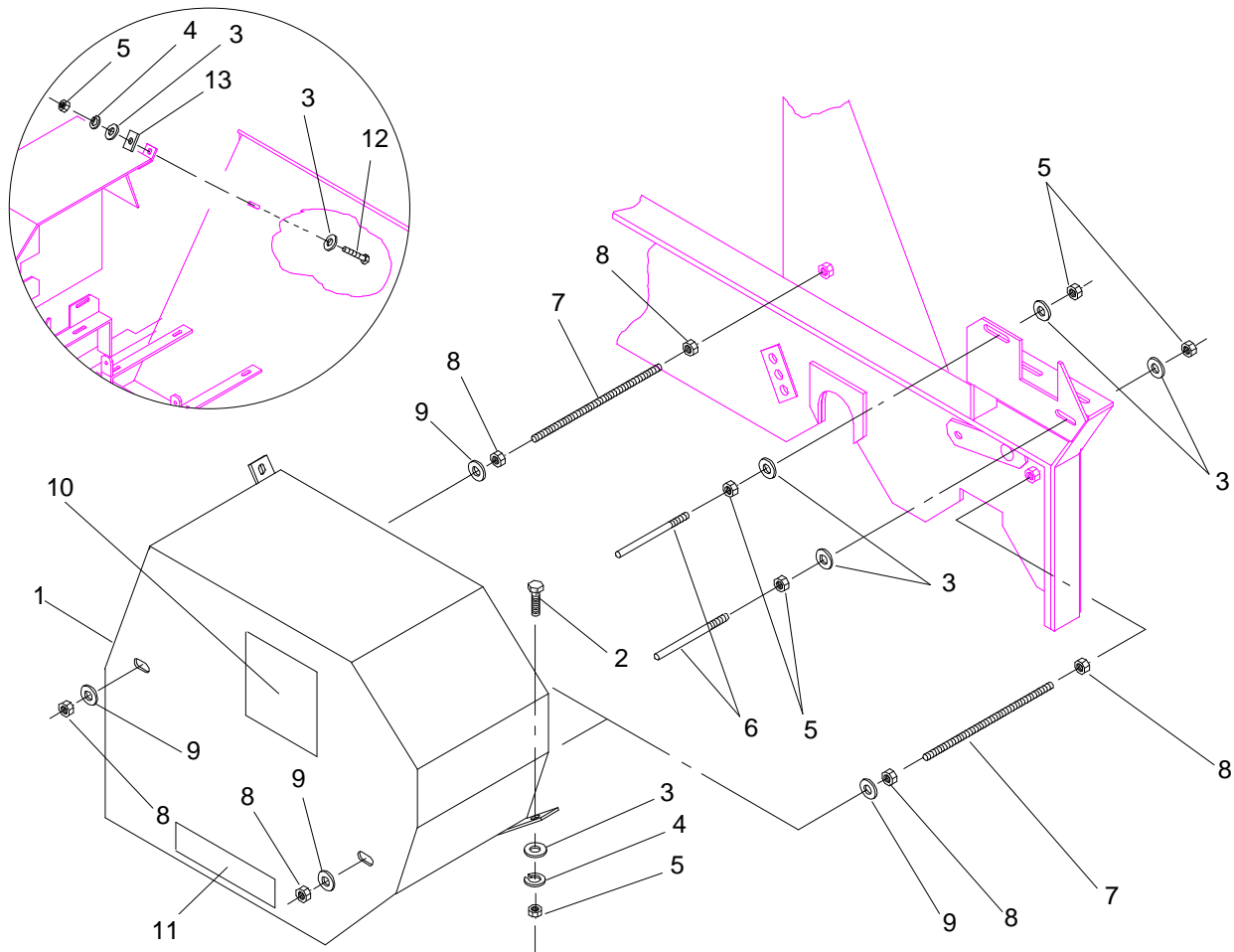


BELT IDLER ASSEMBLY

66HL-008

Ref. No.	Part No.	Description	No. Used
1	48-005-0611	Idler Arm	1
2	01-168-1014	Machinery Bushing	5
3	3272-21	Cotter Pin	1
4	327-14	Capscrew - Hex Hd.	1
5	48-004-3471	Spacer	1
6	3256-7	Flat Washer	2
7	01-268-0010	Pulley	1
8	3253-8	Lock Washer	1
9	3217-11	Hex Nut	1

Ref. No.	Part No.	Description	No. Used
10	48-005-0121	Spring Tension Adjustment	1
11	3296-22	Lock Nut	1
12	3217-7	Hex Nut	4
13	48-004-1711	Idler Spring Rod	1
14	3256-4	Flat Washer	3
15	01-261-0300	Spring	1
16	01-182-0832	Capscrew - Hex Hd.	1
17	3217-9	Hex Nut	3
18	3256-6	Flat Washer	2

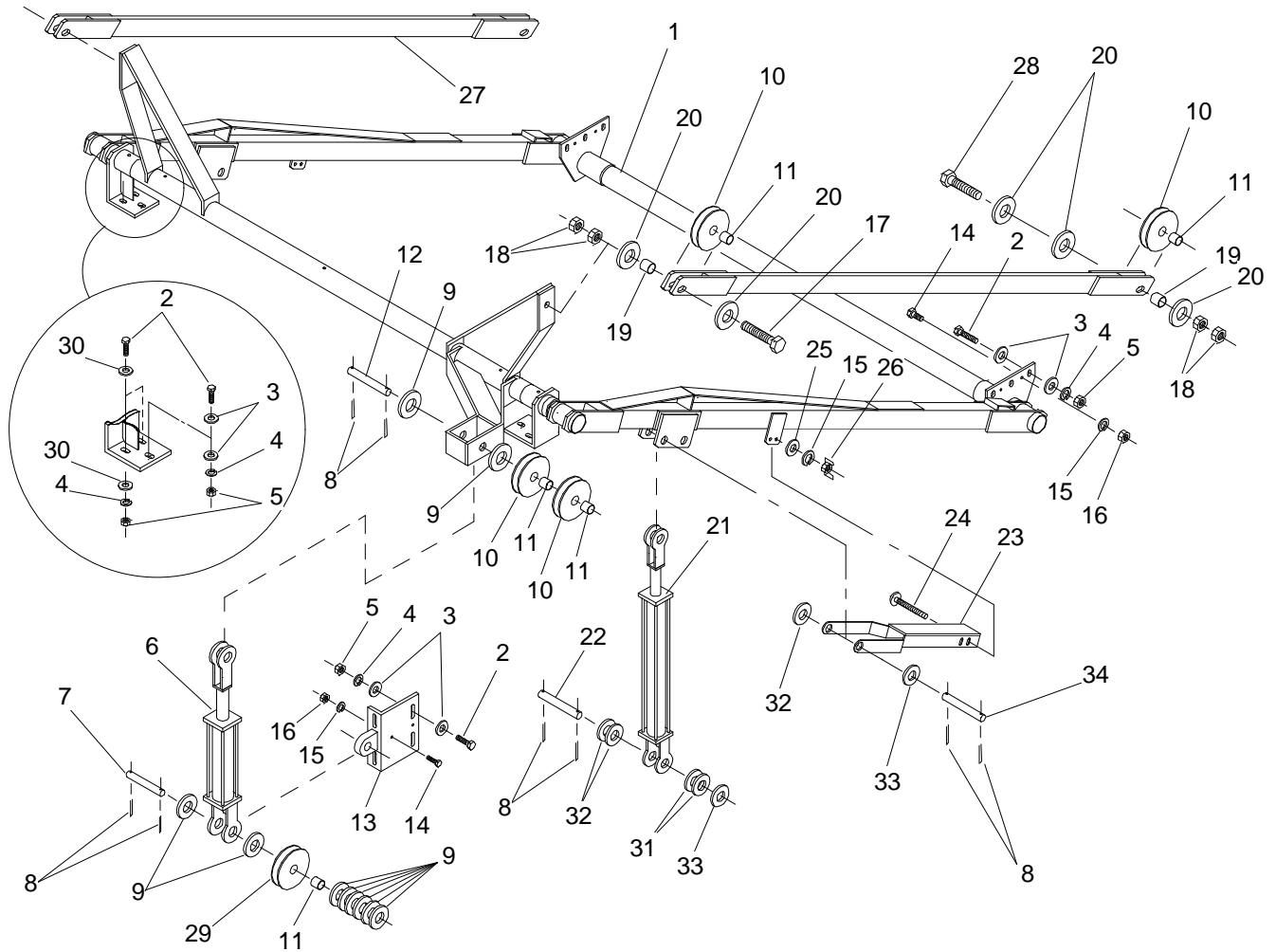


BELT GUARD & BELT SLIP PINS

66HL-009

Ref. No.	Part No.	Description	No. Used
1	66-005-0302	Belt Guard	1
2	323-6	Capscrew - Hex Hd.	1
3	3256-4	Flat Washer	7
4	3253-5	Lock Washer	2
5	3217-7	Hex Nut	6
6	48-004-1211	Belt Slip Pin	2
7	01-650-0400	All Thread	2

Ref. No.	Part No.	Description	No. Used
8	3217-8	Hex Nut	6
9	3256-5	Flat Washer	4
10	01-506-0040	Decal - Danger	1
11	01-506-0080	Decal - Danger	1
12	01-182-0614	Capscrew - Hex Hd.	1
13	66-004-2341	Hose Bracket	1



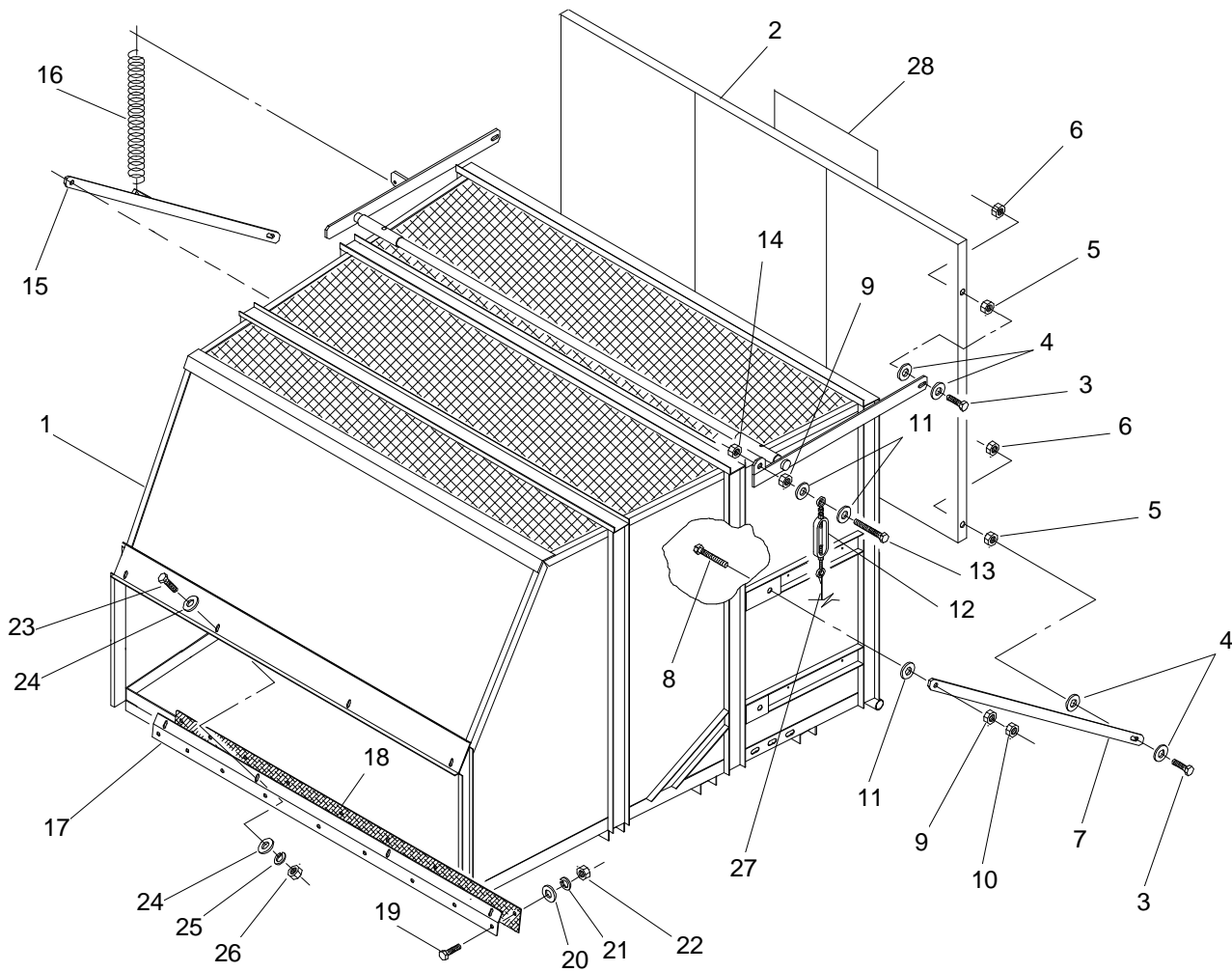
LIFT ARM ASSEMBLY

66HL-010

Ref. No.	Part No.	Description	No. Used
1	66-005-0192	Lift Arm Assembly	1
2	325-6	Capscrew - Hex Hd.	16
3	3256-6	Flat Washer	24
4	3253-7	Lock Washer	16
5	3217-9	Hex Nut	16
6	01-301-0060	Cylinder	1
*	01-301-0100	Seal Kit	1
7	66-004-4141	Cylinder Pin	1
8	3272-23	Cotter Pin	12
9	01-166-1600	Flat Washer	9(var)
10	01-268-0050	Cable Pulley	4
11	01-125-0030	Bronze Bushing	5
12	66-004-2181	Cylinder Pin	1
13	65-005-0281	Dump Cylinder Pivot Assembly	1
14	323-6	Capscrew - Hex Hd.	6
15	3253-5	Lock Washer	8
16	3217-7	Hex Nut	6
17	328-5	Capscrew - Hex Hd.	2

Ref. No.	Part No.	Description	No. Used
18	3218-7	Jam Nut	8
19	66-004-2141	Hopper Pivot Arm Bushing	4
20	01-166-1200	Flat Washer	10
21	01-301-0080	Cylinder	2
*	01-301-0100	Seal Kit	1
22	66-004-2171	Cylinder Pin	2
23	66-005-0271	Safety Stop	2
24	3231-10	Carriage Bolt	2
25	3256-4	Flat Washer	2
26	01-192-0070	Wing Nut	2
27	66-005-0251	Upper Arm Assembly	2
28	328-8	Capscrew - Hex Hd.	2
29	01-268-0040	Cable Pulley	1
30	3256-26	"SAE" Flat Washer	8
31	01-168-1610	Machinery Bushing	8(var)
32	01-168-1614	Machinery Bushing	8(var)
33	01-168-1618	Machinery Bushing	8(var)
34	66-004-3291	Cylinder Pin	2

* Not Illustrated



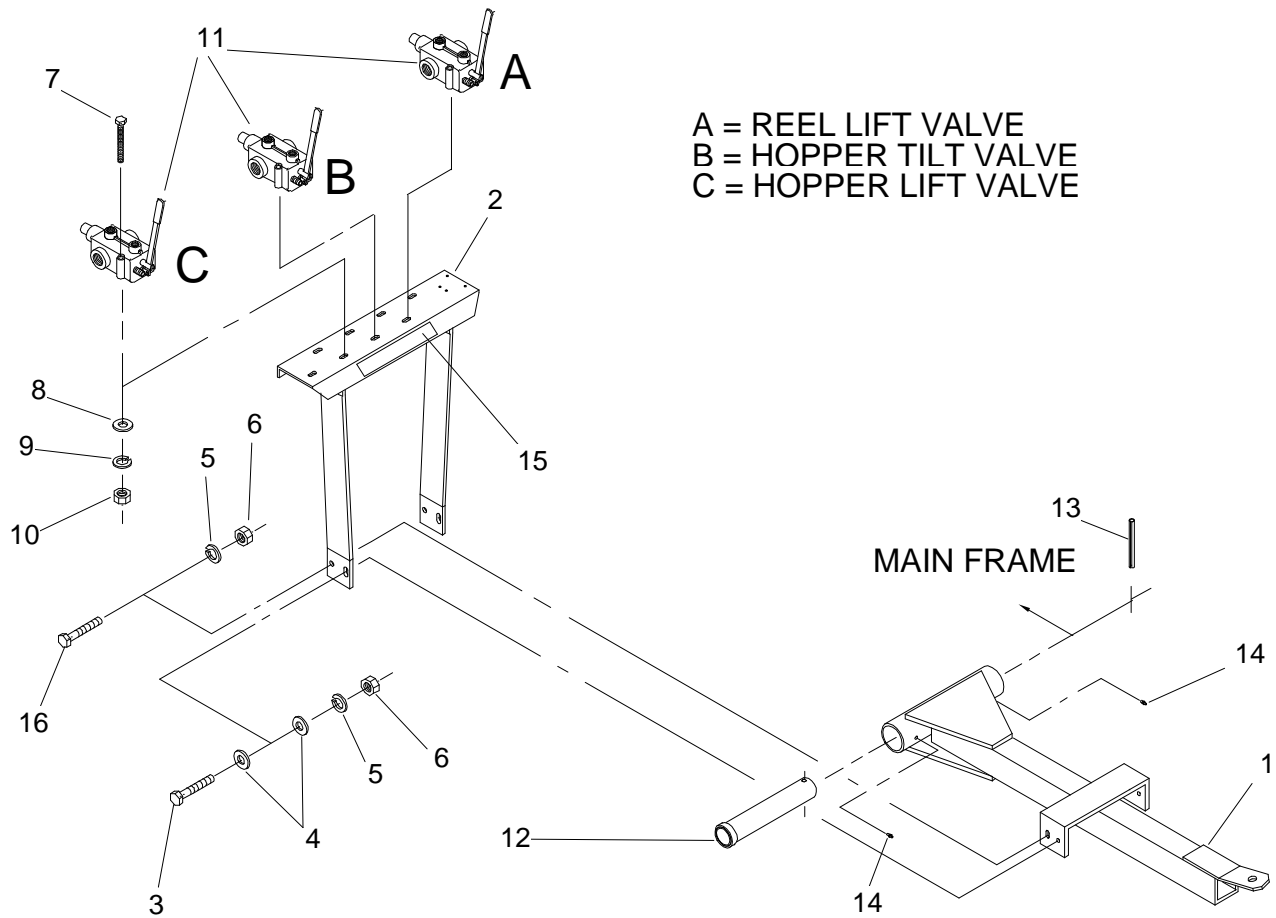
HOPPER ASSEMBLY

66HL-011

Ref. No.	Part No.	Description	No. Used
1	66-002-0442	Hopper Assembly	1
2	66-002-0042	Hopper Door Assembly	1
3	325-7	Capscrew - Hex Hd.	4
4	3256-6	Flat Washer	8
5	3217-9	Hex Nut	5
6	01-189-0813	Lock Nut	4
7	66-004-1641	Lower Door Arm-L.H.	1
8	327-9	Capscrew - Hex Hd.	2
9	3217-11	Hex Nut	3
10	3218-6	Jam Nut	2
11	3256-7	Flat Washer	4
12	01-171-0010	Tumbuckle	1
13	327-7	Capscrew - Hex Hd.	1
14	3296-53	Lock Nut	1
15	66-005-0211	Lower Door Arm-R.H.	1

Ref. No.	Part No.	Description	No. Used
16	66-004-3571	Door Spring	1
17	66-004-4182	Front Rubber Mount	1
18	66-004-4191	Rubber Flap	1
19	322-5	Capscrew - Hex Hd.	9
20	3256-3	Flat Washer	9
21	3253-4	Lock Washer	9
22	3217-6	Hex Nut	9
23	323-6	Capscrew - Hex Hd.	4
24	3256-4	Flat Washer	8
25	3253-5	Lock Washer	4
26	3217-7	Hex Nut	4
27	66-004-3361	Rear Door Lift Cable	1
*	01-170-0010	Cable Clamp	4
28	01-506-0530	Decal - Toro	1

* Not Illustrated



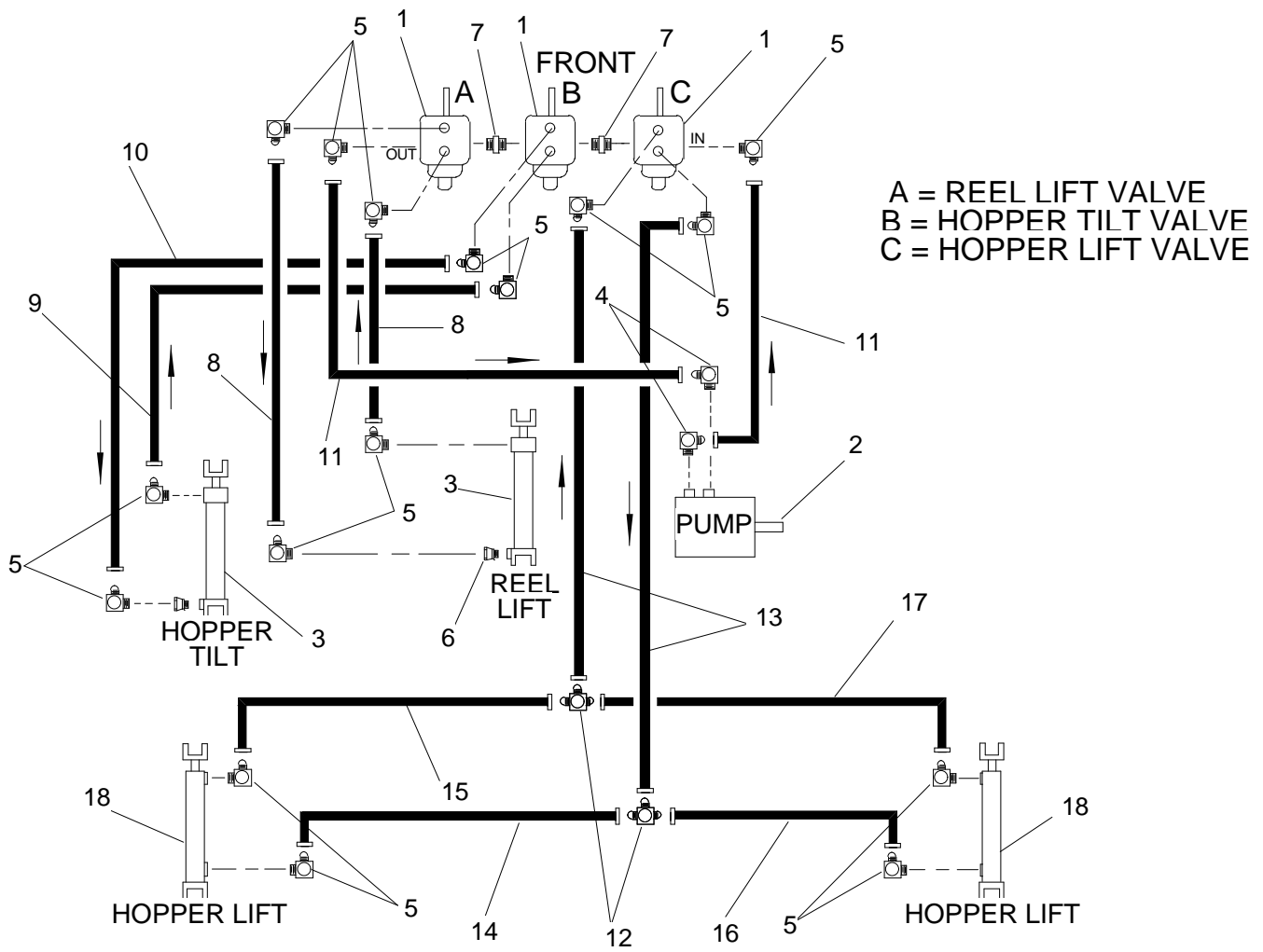
TONGUE ASSEMBLY

66HLP012

Ref. No.	Part No.	Description	No. Used
1	66-005-4962	Tongue Assembly	1
2	66-005-5232	Control Base	1
3	325-7	Capscrew - Hex Hd.	2
4	3256-6	Flat Washer	4
5	3253-7	Lock Washer	4
6	3217-9	Hex Nut	4
7	322-12	Capscrew - Hex Hd.	6
8	3256-3	Flat Washer	6
9	3253-4	Lock Washer	6

Ref. No.	Part No.	Description	No. Used
10	3217-6	Hex Nut	6
11	01-308-0050	Valve	3
*	01-308-0130	Seal Kit	1
12	66-005-4981	Hinge Pin	1
13	32121-10	Roll Pin	1
14	01-215-0050	Grease Zerk	2
15	01-506-1100	Decal - Hopper Lift/Reel Lift	1
16	325-6	Capscrew - Hex Hd.	2

* Not Illustrated



HYDRAULIC SCHEMATIC

66HL-013

Ref. No.	Part No.	Description	No. Used
1	01-308-0050	Valve	3
*	01-308-0130	Seal Kit	1
2	01-305-0010	Hydraulic Pump	1
*	01-305-0620	Seal Kit	1
3	01-301-0060	Cylinder	2
*	01-301-0100	Seal Kit	1
4	01-201-0030	Fitting	2
5	01-201-0190	Fitting	16
6	01-310-0010	Flow Restrictor	2
7	01-201-0160	Fitting	2
8	01-312-0190	Hose Assembly	2

Ref. No.	Part No.	Description	No. Used
9	01-312-0300	Hose Assembly	1
10	01-312-0310	Hose Assembly	1
11	01-312-0320	Hose Assembly	2
12	01-201-0140	Fitting	2
13	01-312-0330	Hose Assembly	2
14	01-312-0340	Hose Assembly	1
15	01-312-0350	Hose Assembly	1
16	01-312-0360	Hose Assembly	1
17	01-312-0370	Hose Assembly	1
18	01-301-0080	Cylinder	2
*	01-301-0100	Seal Kit	1

PART NUMBER INDEX

Part No.	Description	Pg. No.	Ref. No.	Qty.	Part No.	Description	Pg. No.	Ref. No.	Qty.
01-100-0190	Bearing	4	20	1	01-260-0290	Bushing	10	15	1
01-102-0050	Inner Bearing	2	15	1	01-260-0290	Bushing	4	12	1
01-102-0070	Outer Bearing	2	14	1	01-260-1050	Sheave	4	17	1
01-102-0130	Bearing	2	8	10	01-260-1530	Sheave	4	11	1
01-103-0040	Inner Race	2	12	1	01-261-0300	Spring	11	15	1
01-103-0130	Race	2	7	10	01-261-0300	Spring	7	12	1
01-103-0140	Outer Race	2	13	1	01-262-0520	Sprocket	6	11	1
01-105-0520	Needle Bearing	6	26	2	01-262-0530	Sprocket	6	22	1
01-105-0520	Needle Bearing	7	16	2	01-262-0610	Sprocket	6	25	1
01-113-0010	Bearing	10	9	1	01-262-0610	Sprocket	7	15	1
01-113-0010	Bearing	5	7	1	01-264-0010	Belt	10	20	1
01-113-0010	Bearing	6	15	1	01-264-0190	Belt	5	12	1
01-113-0020	Bearing	10	4	1	01-264-0620	Belt	4	16	1
01-113-0020	Bearing	6	5	1	01-267-0050	Gearbox	4	7	1
01-125-0030	Bronze Bushing	13	11	5	01-268-0010	Pulley	11	7	1
01-161-0030	Pop Rivet	7	23	2	01-268-0040	Cable Pulley	13	29	1
01-163-0030	Set Screw	4	30	1	01-268-0050	Cable Pulley	13	10	4
01-166-1200	Flat Washer	13	20	10	01-268-0080	Idler Pulley	4	23	1
01-166-1600	Flat Washer	13	9	9	01-269-0060	Wheel Spacer	2	10	10
01-168-1014	Machinery Bushing	11	2	5	01-269-0140	Steering Hub	2	11	1
01-168-1210	Machinery Bushing	2	3	2	01-269-0300	Lug Nut	2	19	5
01-168-1410	Machinery Bushing	6	23	6	01-269-0320	Tire	2	6	5
01-168-1410	Machinery Bushing	7	13	11	01-269-0340	Wheel	2	21	5
01-168-1414	Machinery Bushing	6	24	4	01-279-0010	Rubber Fingers	6	3	140
01-168-1414	Machinery Bushing	7	14	5	01-282-0890	PTO Assembly	4	6	1
01-168-1610	Machinery Bushing	1	18	4	01-286-0040	Dust Cap	2	20	1
01-168-1610	Machinery Bushing	13	31	8	01-301-0060	Cylinder	1	15	1
01-168-1610	Machinery Bushing	6	20	3	01-301-0060	Cylinder	13	6	1
01-168-1614	Machinery Bushing	1	11	8	01-301-0060	Cylinder	16	3	2
01-168-1614	Machinery Bushing	13	32	8	01-301-0080	Cylinder	13	21	2
01-168-1614	Machinery Bushing	6	21	6	01-301-0080	Cylinder	16	18	2
01-168-1618	Machinery Bushing	13	33	8	01-301-0100	Seal Kit	1	*	1
01-168-2010	Machinery Bushing	6	13	2	01-301-0100	Seal Kit	13	*	1
01-168-2014	Machinery Bushing	6	10	3	01-301-0100	Seal Kit	13	*	1
01-170-0010	Cable Clamp	14	*	4	01-301-0100	Seal Kit	16	*	1
01-171-0010	Turnbuckle	14	12	1	01-301-0100	Seal Kit	16	*	1
01-182-0614	Capscrew - Hex Hd.	12	12	1	01-305-0010	Hydraulic Pump	16	2	1
01-182-0614	Capscrew - Hex Hd.	5	13	1	01-305-0010	Pump	5	1	1
01-182-0624	Capscrew - Hex Hd.	5	3	2	01-305-0620	Seal Kit	16	*	1
01-182-0824	Capscrew - Hex Hd.	4	14	1	01-305-0620	Seal Kit	5	*	1
01-182-0832	Capscrew - Hex Hd.	11	16	1	01-308-0050	Valve	15	11	3
01-182-1256	Capscrew - Hex Hd.	3	6	2	01-308-0050	Valve	16	1	3
01-189-0813	Lock Nut	14	6	4	01-308-0130	Seal Kit	15	*	1
01-189-0813	Lock Nut	8	11	2	01-308-0130	Seal Kit	16	*	1
01-189-0813	Lock Nut	9	11	2	01-310-0010	Flow Restrictor	16	6	2
01-190-1210	Castle Nut	2	4	5	01-312-0190	Hose Assembly	16	8	2
01-190-1216	Castle Nut	2	18	1	01-312-0300	Hose Assembly	16	9	1
01-192-0070	Wing Nut	13	26	2	01-312-0310	Hose Assembly	16	10	1
01-201-0030	Fitting	16	4	2	01-312-0320	Hose Assembly	16	11	2
01-201-0140	Fitting	16	12	2	01-312-0330	Hose Assembly	16	13	2
01-201-0160	Fitting	16	7	2	01-312-0340	Hose Assembly	16	14	1
01-201-0190	Fitting	16	5	16	01-312-0350	Hose Assembly	16	15	1
01-215-0050	Grease Zerk	15	14	2	01-312-0360	Hose Assembly	16	16	1
01-250-0020	Rod End Bearing	7	8	1	01-312-0370	Hose Assembly	16	17	1
01-251-0020	Offset Link	6	*	1	01-405-0370	Seal	2	16	1
01-260-0010	Sheave	10	14	1	01-405-0460	Oil Seal	2	9	10
01-260-0020	Sheave	5	14	1	01-506-0040	Decal - Danger	12	10	1
01-260-0030	Sheave	10	17	1	01-506-0040	Decal - Danger	4	33	1
01-260-0040	Sheave	5	9	1	01-506-0050	Decal - Danger	7	21	1
01-260-0190	Bushing	5	10	1	01-506-0070	Decal - Danger	1	21	1
01-260-0230	Bushing	5	15	1	01-506-0080	Decal - Danger	1	2	1
01-260-0280	Bushing	10	18	1	01-506-0080	Decal - Danger	12	11	1
01-260-0280	Bushing	4	18	1	01-506-0130	Decal - Danger	4	35	1

* Not Illustrated

PART NUMBER INDEX (Continued)

Part No.	Description	Pg. No.	Ref. No.	Qty.	Part No.	Description	Pg. No.	Ref. No.	Qty.
01-506-0150	Decal - Height Gauge	1	3	1	325-6	Capscrew - Hex Hd.	15	16	2
01-506-0160	Decal - Important	4	34	1	325-7	Capscrew - Hex Hd.	10	5	2
01-506-0520	Decal - Toro	1	5	1	325-7	Capscrew - Hex Hd.	14	3	4
01-506-0530	Decal - Toro	14	28	1	325-7	Capscrew - Hex Hd.	15	3	2
01-506-0560	Decal - Hydraulic Oil	5	2	1	325-7	Capscrew - Hex Hd.	6	6	2
01-506-0730	Decal - Turf Sweeper 1660HL	1	4	2	3253-4	Lock Washer	14	21	9
01-506-1100	Decal - Hopper Lift/Reel Lift	15	15	1	3253-4	Lock Washer	15	9	6
01-506-1150	Decal - Danger	1	17	1	3253-5	Lock Washer	1	7	6
01-650-0400	All Thread	12	7	2	3253-5	Lock Washer	10	12	2
02-250-0020	Rod End Bearing	7	6	1	3253-5	Lock Washer	12	4	2
32121-10	Roll Pin	15	13	1	3253-5	Lock Washer	13	15	8
32121-10	Roll Pin	3	8	2	3253-5	Lock Washer	14	25	4
3217-11	Hex Nut	1	13	4	3253-5	Lock Washer	4	4	8
3217-11	Hex Nut	11	9	1	3253-5	Lock Washer	5	19	6
3217-11	Hex Nut	14	9	3	3253-5	Lock Washer	6	18	1
3217-11	Hex Nut	8	8	2	3253-6	Lock Washer	4	31	4
3217-11	Hex Nut	9	8	2	3253-7	Lock Washer	10	7	2
3217-12	Hex Nut	3	7	6	3253-7	Lock Washer	13	4	16
3217-6	Hex Nut	14	22	9	3253-7	Lock Washer	15	5	4
3217-6	Hex Nut	15	10	6	3253-7	Lock Washer	4	9	6
3217-6	Hex Nut	4	29	2	3253-7	Lock Washer	6	8	2
3217-7	Hex Nut	1	8	6	3253-7	Lock Washer	7	4	1
3217-7	Hex Nut	10	13	2	3253-8	Lock Washer	11	8	1
3217-7	Hex Nut	11	12	4	3253-8	Lock Washer	8	4	1
3217-7	Hex Nut	12	5	6	3253-8	Lock Washer	9	5	1
3217-7	Hex Nut	13	16	6	3256-26	"SAE" Flat Washer	13	30	8
3217-7	Hex Nut	14	26	4	3256-26	"SAE" Flat Washer	7	3	1
3217-7	Hex Nut	4	5	8	3256-27	"SAE" Flat Washer	8	3	1
3217-7	Hex Nut	5	8	12	3256-27	"SAE" Flat Washer	9	4	1
3217-7	Hex Nut	6	19	1	3256-28	"SAE" Flat Washer	2	17	1
3217-7	Hex Nut	7	9	4	3256-3	Flat Washer	14	20	9
3217-8	Hex Nut	12	8	6	3256-3	Flat Washer	15	8	6
3217-8	Hex Nut	4	25	4	3256-4	Flat Washer	1	20	8
3217-9	Hex Nut	10	8	2	3256-4	Flat Washer	10	11	2
3217-9	Hex Nut	11	17	3	3256-4	Flat Washer	11	14	3
3217-9	Hex Nut	13	5	16	3256-4	Flat Washer	12	3	7
3217-9	Hex Nut	14	5	5	3256-4	Flat Washer	13	25	2
3217-9	Hex Nut	15	6	4	3256-4	Flat Washer	14	24	8
3217-9	Hex Nut	4	15	4	3256-4	Flat Washer	4	26	16
3217-9	Hex Nut	6	9	2	3256-4	Flat Washer	5	18	18
3218-6	Jam Nut	14	10	2	3256-4	Flat Washer	6	17	1
3218-6	Jam Nut	8	5	1	3256-4	Flat Washer	7	11	3
3218-6	Jam Nut	9	6	1	3256-5	Flat Washer	12	9	4
3218-7	Jam Nut	13	18	8	3256-5	Flat Washer	4	2	4
322-12	Capscrew - Hex Hd.	15	7	6	3256-5	Flat Washer	7	19	3
322-13	Capscrew - Hex Hd.	4	28	1	3256-6	Flat Washer	10	6	2
322-5	Capscrew - Hex Hd.	14	19	9	3256-6	Flat Washer	11	18	2
3220-3	Jam Nut	7	7	3	3256-6	Flat Washer	13	3	24
323-10	Capscrew - Hex Hd.	5	5	2	3256-6	Flat Washer	14	4	8
323-6	Capscrew - Hex Hd.	12	2	1	3256-6	Flat Washer	15	4	4
323-6	Capscrew - Hex Hd.	13	14	6	3256-6	Flat Washer	4	10	25
323-6	Capscrew - Hex Hd.	14	23	4	3256-6	Flat Washer	6	7	2
323-6	Capscrew - Hex Hd.	5	17	4	3256-6	Flat Washer	8	10	6
323-7	Capscrew - Hex Hd.	1	6	6	3256-6	Flat Washer	9	10	6
323-7	Capscrew - Hex Hd.	4	3	8	3256-7	Flat Washer	1	14	4
323-8	Capscrew - Hex Hd.	10	10	2	3256-7	Flat Washer	11	6	2
323-8	Capscrew - Hex Hd.	6	16	1	3256-7	Flat Washer	14	11	4
3231-10	Carriage Bolt	13	24	2	327-14	Capscrew - Hex Hd.	11	4	1
324-6	Capscrew - Hex Hd.	4	27	4	327-16	Capscrew - Hex Hd.	3	2	4
325-22	Capscrew - Hex Hd.	4	1	1	327-6	Capscrew - Hex Hd.	8	6	1
325-5	Capscrew - Hex Hd.	4	8	6	327-6	Capscrew - Hex Hd.	9	2	1
325-5	Capscrew - Hex Hd.	7	5	1	327-7	Capscrew - Hex Hd.	14	13	1
325-6	Capscrew - Hex Hd.	13	2	16	327-9	Capscrew - Hex Hd.	14	8	2

* Not Illustrated

PART NUMBER INDEX (Continued)

Part No.	Description	Pg. No.	Ref. No.	Qty.	Part No.	Description	Pg. No.	Ref. No.	Qty.
3272-21	Cotter Pin	11	3	1	66-004-2141	Hopper Pivot Arm Bushing	13	19	4
3272-23	Cotter Pin	1	10	2	66-004-2161	Spacer	3	3	4
3272-23	Cotter Pin	13	8	12	66-004-2171	Cylinder Pin	1	16	1
3272-23	Cotter Pin	2	5	7	66-004-2171	Cylinder Pin	13	22	2
3272-23	Cotter Pin	6	14	2	66-004-2181	Cylinder Pin	13	12	1
3272-23	Cotter Pin	7	17	1	66-004-2341	Hose Bracket	12	13	1
3272-25	Cotter Pin	6	28	1	66-004-3211	Key	10	16	1
328-5	Capscrew - Hex Hd.	13	17	2	66-004-3211	Key	4	13	1
328-8	Capscrew - Hex Hd.	13	28	2	66-004-3291	Cylinder Pin	13	34	2
3296-22	Lock Nut	11	11	1	66-004-3361	Rear Door Lift Cable	14	27	1
3296-48	Lock Nut	7	20	3	66-004-3571	Door Spring	14	16	1
3296-53	Lock Nut	14	14	1	66-004-4141	Cylinder Pin	13	7	1
3296-53	Lock Nut	3	4	4	66-004-4182	Front Rubber Mount	14	17	1
41-002-0061	Dipstick	5	6	1	66-004-4191	Rubber Flap	14	18	1
48-002-5441	Idler Sprocket Assembly	6	*	1	66-004-5121	Jackshaft	4	22	1
48-002-5441	Idler Sprocket Assembly	7	*	1	66-004-5341	Shaft Cover	4	32	1
48-004-1211	Belt Slip Pin	12	6	2	66-005-0192	Lift Arm Assembly	13	1	1
48-004-1711	Idler Spring Rod	11	13	1	66-005-0201	Reel Lift Rod Assembly-L.H.	8	7	1
48-004-1931	Key	5	11	1	66-005-0201	Reel Lift Rod Assembly-R.H.	9	7	1
48-004-1931	Key	6	12	2	66-005-0211	Lower Door Arm-R.H.	14	15	1
48-004-3431	Hose Bracket	5	4	1	66-005-0231	Front Reel Assembly	10	2	1
48-004-3471	Spacer	11	5	1	66-005-0231	Front Reel Assembly	6	2	1
48-004-3881	Spacer	7	2	1	66-005-0242	Rear Reel Assembly	10	1	1
48-004-3891	Idler Spring Rod	7	10	1	66-005-0242	Rear Reel Assembly	6	1	1
48-004-5841	Reel Plate Spacer	8	2	1	66-005-0251	Upper Arm Assembly	13	27	2
48-004-5841	Reel Plate Spacer	9	3	1	66-005-0271	Safety Stop	13	23	2
48-005-0121	Spring Tension Adjustment	11	10	1	66-005-0302	Belt Guard	12	1	1
48-005-0162	Idler Cover	7	18	1	66-005-0361	Rear Outrigger-L.H.	3	5	1
48-005-0172	Reel Plate Assembly-R.H.	10	3	1	66-005-0371	Reel Height Indicator	7	22	1
48-005-0172	Reel Plate Assembly-R.H.	9	1	1	66-005-0381	Skid Assembly	3	1	2
48-005-0182	Reel Plate Assembly- L.H.	6	4	1	66-005-0421	Hopper Stop Pad	1	12	2
48-005-0182	Reel Plate Assembly-L.H.	8	1	1	66-005-3481	Yoke Assembly	2	1	1
48-005-0191	Idler Shaft Assembly	7	1	1	66-005-4221	Rear Outrigger-R.H.	3	*	1
48-005-0421	Axle Bolt Assembly	2	2	5	66-005-4962	Tongue Assembly	15	1	1
48-005-0591	Reel Lift Tube Assembly	8	9	1	66-005-4972	Guard	4	24	1
48-005-0591	Reel Lift Tube Assembly	9	9	1	66-005-4981	Hinge Pin	15	12	1
48-005-0611	Idler Arm	11	1	1	66-005-4991	Hose Tube	1	9	1
54-004-0941	Reel Chain	6	27	1	66-005-5212	Gearbox Bracket	4	21	1
65-005-0281	Dump Cylinder Pivot Assembly	13	13	1	66-005-5232	Control Base	15	2	1
66-002-0042	Hopper Door Assembly	14	2	1	66-005-5244	Main Frame	1	1	1
66-002-0442	Hopper Assembly	14	1	1	82-004-1171	Key	10	19	1
66-004-1621	Air Deflector	1	19	1	82-004-1171	Key	4	19	1
66-004-1641	Lower Door Arm-L.H.	14	7	1	84-004-2851	Key	5	16	1

* Not Illustrated

PRODUCT CHANGES

In an effort to make improvements available to TORO owners as quickly as possible minor changes are incorporated into Toro's products from time to time that do not become immediately shown in the Parts Catalog. If such a change has been made in your unit which is not reflected in your manual see your TORO Distributor or an Authorized Service Dealer for information and part numbers.

IDENTIFICATION & ORDERING

MODEL AND NUMBERS

The 1660HL has two identification numbers; a model number and a serial number. The two numbers are stamped on a plate which is located on the control base. In any correspondence concerning the 1660HL supply model and serial numbers to assure that correct information and

replacement parts are obtained.

To order replacement parts from your TORO Distributor or an Authorized Service Dealer, supply the following information:

1. Model and serial number of the 1660HL.
2. Part number description and the quantity of part (s) desired.

TABLE OF CONTENTS

Description	Page	Description	Page
Main Frame Assembly	1	Chain Idler & Guard Assembly	7
Wheel Assembly	2	Reel Lift Assembly - L.H.	8
		Reel Lift Assembly - R.H.	9
		Belt Drive Assembly	10
		Belt Idler Assembly	11
		Belt Guard & Belt Slip Pins	12
Skid Assembly	3	Dump Arm Assembly.	13
Drive System.	4	Hopper Assembly	14
Pump Mounting.	5	Tongue Assembly	15
		Hydraulic Schematic	16
		Parts Index	17 - 19
Sweeper Reel & Timing Chain Assembly	6		