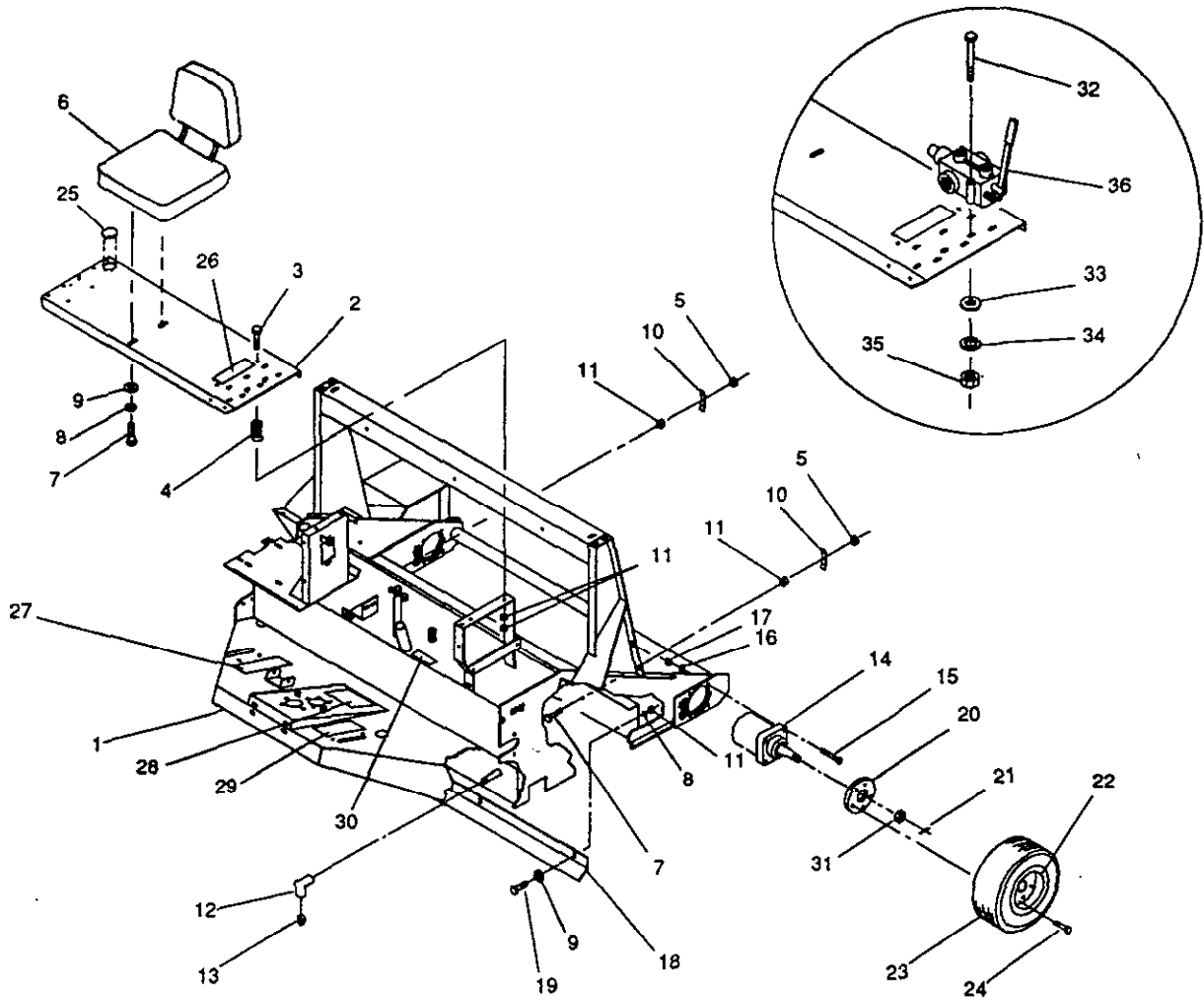




MODEL NO. 44050 - 20101 & UP  
 MODEL NO. 44055 - 20101 & UP

**PARTS CATALOG**

**TURF SWEEPER 4800HL**



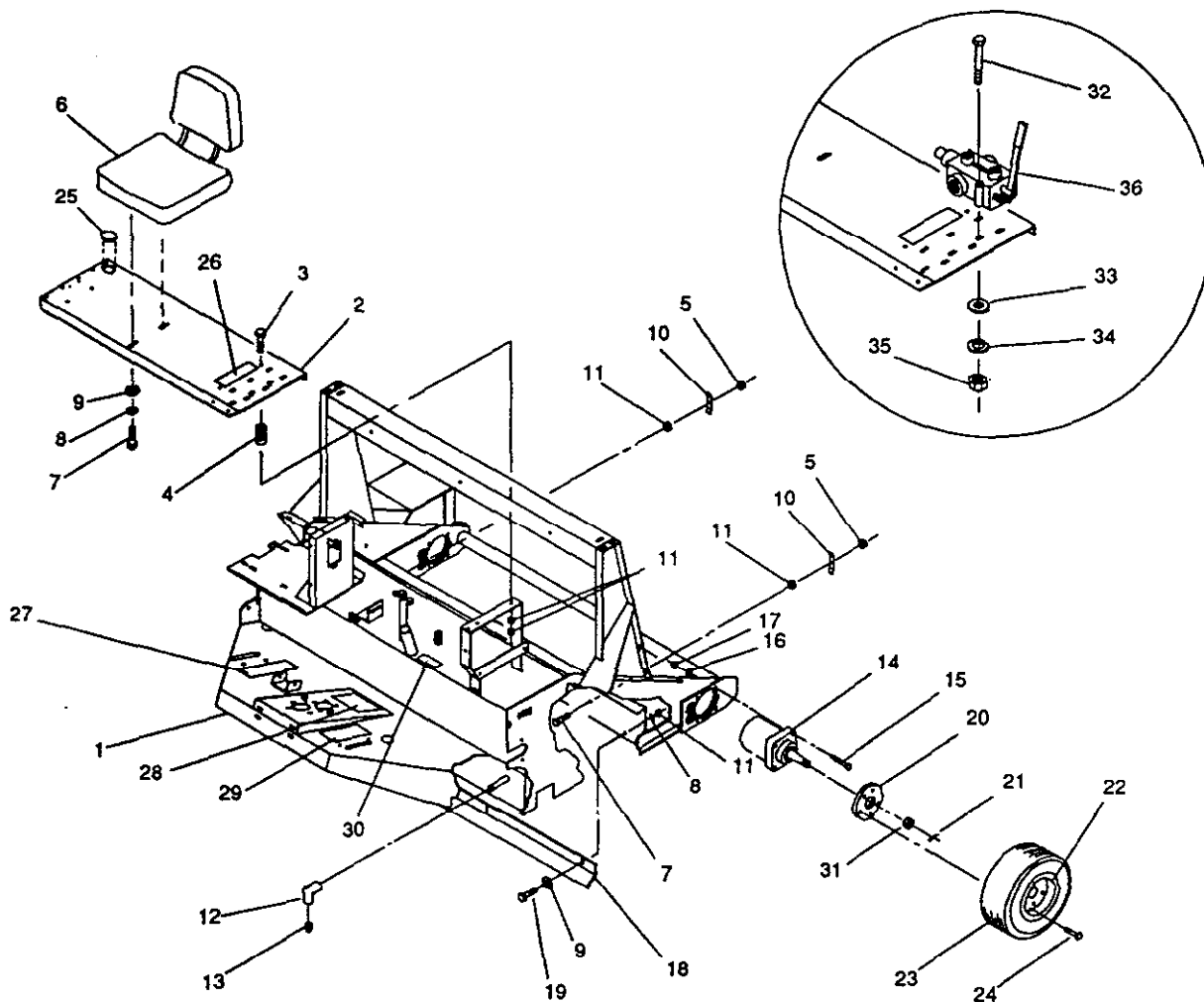
**MAIN FRAME ASSEMBLY**

48HL-001

| Ref. No. | Part No.    | Description            | No. Used |
|----------|-------------|------------------------|----------|
| 1        | 48-005-0774 | Main Frame             | 1        |
| 2        | 48-005-0462 | Seat Mount             | 1        |
| 3        | 323-10      | Capscrew - Hex Hd.     | 4        |
| 4        | 01-261-0240 | Spring                 | 4        |
| 5        | 3296-22     | Lock Nut               | 2        |
| 6        | 01-286-0220 | Seat                   | 1        |
| 7        | 01-182-0616 | Capscrew - Hex Hd.     | 4        |
| 8        | 3253-5      | Lock Washer            | 5        |
| 9        | 3256-4      | Flat Washer            | 5        |
| 10       | 48-004-3431 | Hose Hold Down Bracket | 2        |
| 11       | 3217-7      | Hex Nut                | 13       |
| 12       | 01-455-0100 | Elbow                  | 1        |
| 13       | 01-451-0010 | Pipe Plug              | 1        |

| Ref. No. | Part No.    | Description                      | No. Used |
|----------|-------------|----------------------------------|----------|
| 14       | 01-304-0410 | Hydraulic Motor (Incl. Ref. #31) | 2        |
| *        | 01-304-0260 | Seal Kit                         | 1        |
| 15       | 325-12      | Capscrew - Hex Hd.               | 8        |
| 16       | 3253-7      | Lock Washer                      | 8        |
| 17       | 3217-9      | Hex Nut                          | 8        |
| 18       | 48-004-1751 | Air Deflector                    | 1        |
| 19       | 323-6       | Capscrew - Hex Hd.               | 3        |
| 20       | 01-269-1000 | Hub                              | 2        |
| 21       | 01-151-0170 | Cotter Pin                       | 2        |
| 22       | 01-269-1020 | Wheel                            | 2        |
| 23       | 01-269-0330 | Tire                             | 2        |
| 24       | 01-158-1610 | Lug Bolt                         | 10       |
| 25       | 01-288-0020 | Hour Meter (Onan)                | 1        |
| *        | 01-127-0070 | Plastic Plug (B & S)             | 1        |

\* Not Illustrated

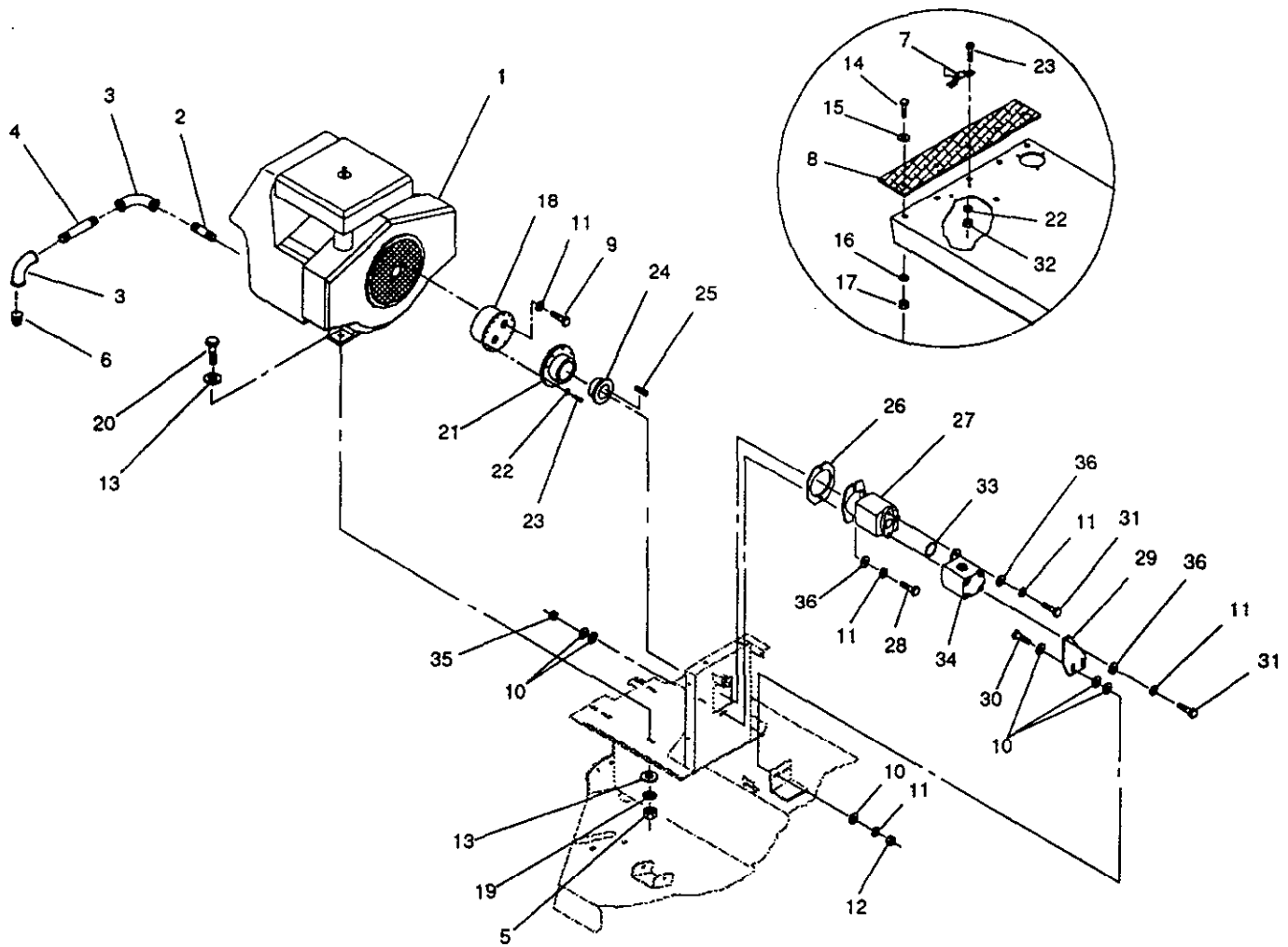


## MAIN FRAME ASSEMBLY (Continued)

48HL-001

| Ref. No. | Part No.    | Description                         | No. Used | Ref. No. | Part No.    | Description        | No. Used |
|----------|-------------|-------------------------------------|----------|----------|-------------|--------------------|----------|
| 26       | 01-506-0170 | Decal - Hopper Door/<br>Hopper Lift | 1        | 32       | 322-12      | Capscrew - Hex Hd. | 4        |
| 27       | 01-506-0570 | Decal - Traction Pedal              | 1        | 33       | 3256-3      | Flat Washer        | 4        |
| 28       | 01-506-0090 | Decal - Danger                      | 1        | 34       | 3253-4      | Lock Washer        | 4        |
| 29       | 01-506-0980 | Decal - Parking Brake               | 1        | 35       | 3217-6      | Hex Nut            | 4        |
| 30       | 01-506-0560 | Decal - Hydraulic Oil               | 1        | 36       | 01-308-0050 | Valve              | 2        |
| 31       | 01-190-1620 | Castle Nut (Incl. w/Ref. #14)       | 2        | *        | 01-308-0130 | Seal Kit           | 1        |

\* Not Illustrated



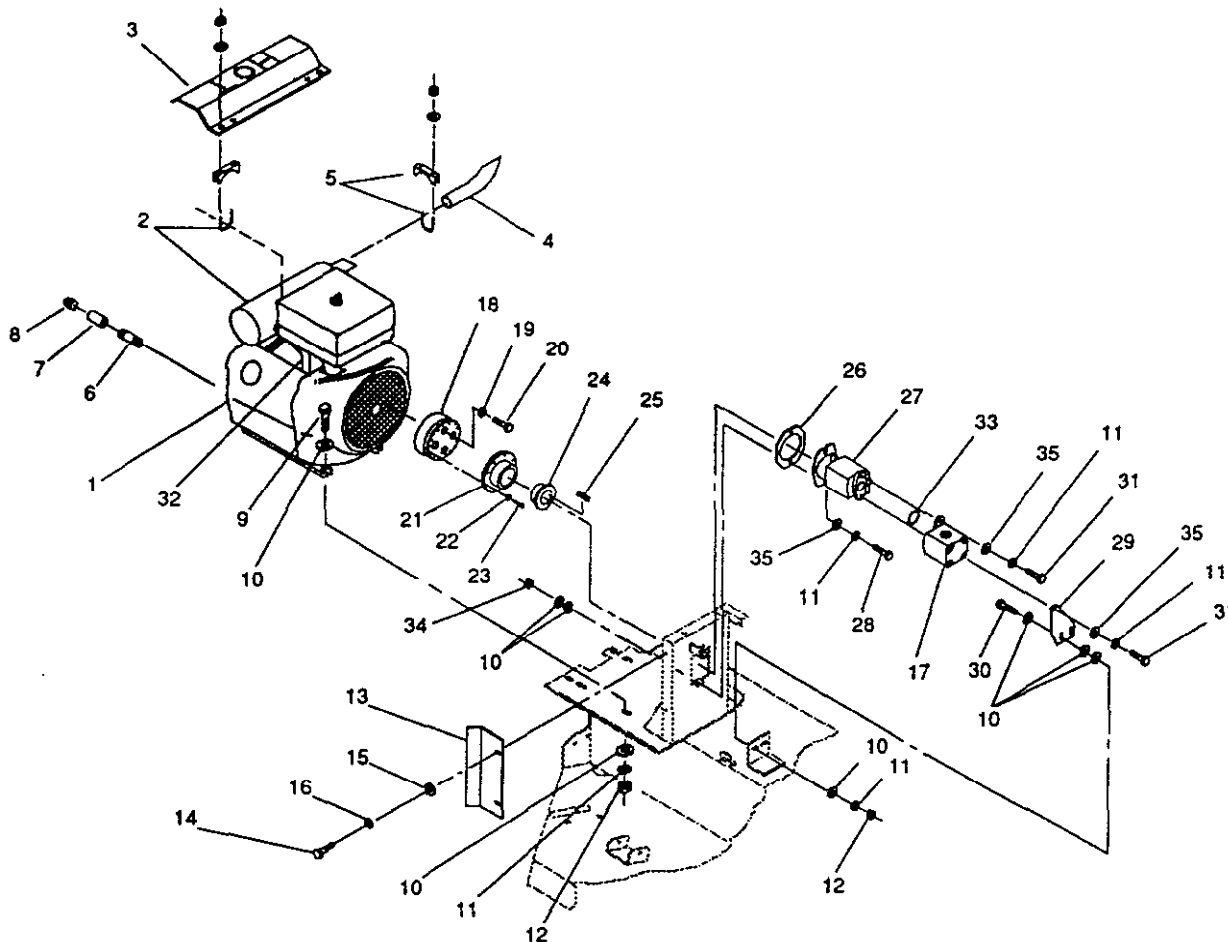
## ENGINE MOUNTING - MODEL NO. 44050

48HL-006

| Ref. No. | Part No.    | Description           | No. Used |
|----------|-------------|-----------------------|----------|
| 1        | 01-270-1640 | Engine                | 1        |
| *        | 01-600-0050 | Battery Cable (neg.)  | 1        |
| *        | 01-600-0060 | Battery Cable (pos.)  | 1        |
| 2        | 01-456-0050 | Pipe Nipple           | 1        |
| 3        | 01-455-0030 | Pipe Elbow            | 2        |
| 4        | 01-456-0070 | Pipe Nipple           | 1        |
| 5        | 3217-6      | Hex Nut               | 4        |
| 6        | 01-451-0020 | Pipe Plug             | 1        |
| 7        | 48-002-0071 | Throttle Assembly     | 1        |
| *        | 01-256-0020 | Throttle Handle       | 1        |
| *        | 48-004-4071 | Throttle Outer Sheath | 1        |
| *        | 48-004-4081 | Throttle Inner Wire   | 1        |
| 8        | 48-004-6441 | Flywheel Guard        | 1        |
| 9        | 323-8       | Capscrew - Hex Hd.    | 2        |
| 10       | 3256-4      | Flat Washer           | 10       |
| 11       | 3253-5      | Lock Washer           | 8        |
| 12       | 3217-7      | Hex Nut               | 2        |
| 13       | 3256-3      | Flat Washer           | 8        |
| 14       | 321-6       | Capscrew - Hex Hd.    | 5        |
| 15       | 3256-2      | Flat Washer           | 5        |
| 16       | 3253-3      | Lock Washer           | 5        |
| 17       | 3217-5      | Hex Nut               | 5        |
| 18       | 48-004-5052 | Engine Adaptor        | 1        |

| Ref. No. | Part No.    | Description           | No. Used |
|----------|-------------|-----------------------|----------|
| 19       | 3253-4      | Lock Washer           | 4        |
| 20       | 322-7       | Capscrew - Hex Hd.    | 4        |
| 21       | 01-265-0180 | Flex Coupling         | 1        |
| 22       | 01-169-0010 | Lock Washer           | 10       |
| 23       | 01-158-0150 | Capscrew - Socket Hd. | 10       |
| 24       | 01-260-0900 | "H" Bushing           | 1        |
| 25       | 48-004-5071 | Key                   | 1        |
| 26       | 48-004-5521 | Cessna Pump Spacer    | 1        |
| 27       | 01-305-0090 | Cessna Pump           | 1        |
| *        | 48-005-0641 | Tow Valve Handle      | 1        |
| *        | 01-163-0100 | Set Screw             | 1        |
| *        | 01-305-0080 | Seal Kit              | 1        |
| 28       | 323-10      | Capscrew - Hex Hd.    | 2        |
| 29       | 48-004-3131 | Pump Support          | 1        |
| 30       | 323-6       | Capscrew - Hex Hd.    | 2        |
| 31       | 323-7       | Capscrew - Hex Hd.    | 2        |
| 32       | 3217-26     | Hex Nut               | 2        |
| 33       | 01-402-0230 | O-Ring                | 1        |
| 34       | 01-305-0020 | Sundstrand Pump       | 1        |
| *        | 01-305-0600 | Seal Kit              | 1        |
| 35       | 3296-22     | Lock Nut              | 2        |
| 36       | 01-166-0620 | "SAE" Flat Washer     | 4        |

\* Not Illustrated



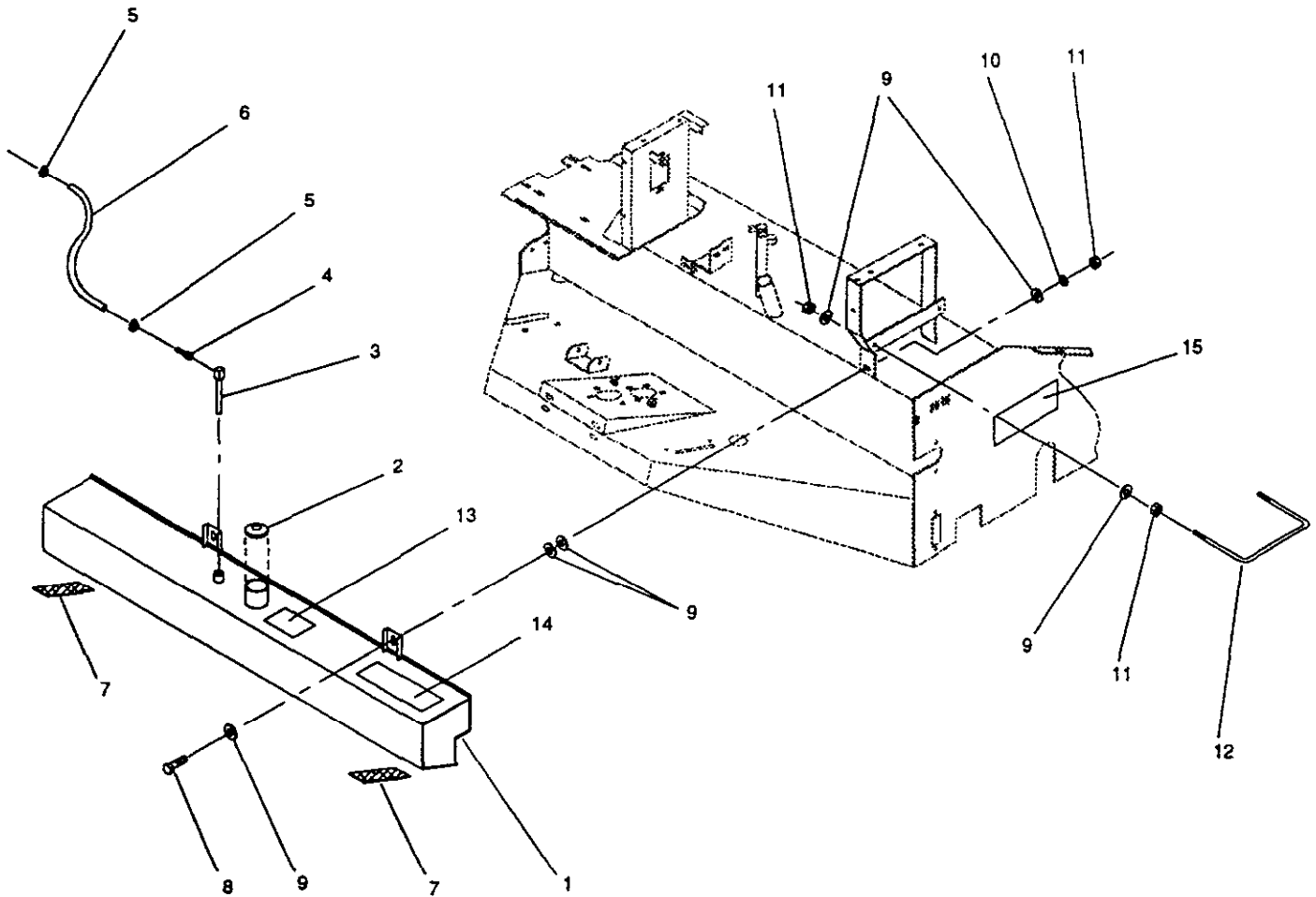
## ENGINE MOUNTING - MODEL NO. 44055

48HL-005

| Ref. No. | Part No.    | Description                               | No. Used |
|----------|-------------|---|----------|
| 1        | 01-270-1370 | Engine                                    | 1        |
| *        | 01-600-0050 | Battery Cable (neg.)                      | 1        |
| *        | 01-600-0190 | Battery Cable (pos.)                      | 1        |
| 2        | 01-273-0240 | Muffler Kit, Includes<br>clamps & muffler | 1        |
| 3        | 48-004-5651 | Muffler Guard                             | 1        |
| 4        | 01-273-0310 | Exhaust Extension                         | 1        |
| 5        | 01-170-0160 | Clamp                                     | 1        |
| 6        | 01-456-0050 | Pipe Nipple                               | 1        |
| 7        | 01-453-0130 | Pipe Coupling                             | 1        |
| 8        | 01-451-0020 | Pipe Plug                                 | 1        |
| 9        | 323-8       | Capscrew - Hex Hd.                        | 4        |
| 10       | 3256-4      | Flat Washer                               | 20       |
| 11       | 3253-5      | Lock Washer                               | 10       |
| 12       | 3217-7      | Hex Nut                                   | 6        |
| 13       | 48-004-6391 | Flywheel Guard                            | 1        |
| 14       | 321-6       | Capscrew - Hex Hd.                        | 2        |
| 15       | 3256-2      | Flat Washer                               | 2        |
| 16       | 3253-3      | Lock Washer                               | 2        |
| 17       | 01-305-0020 | Sundstrand Pump                           | 1        |
| *        | 01-305-0600 | Seal Kit                                  | 1        |
| 18       | 48-004-5062 | Engine Adaptor                            | 1        |

| Ref. No. | Part No.    | Description  | No. Used |
|----------|-------------|--|----------|
| 19       | 3253-4      | Lock Washer  | 4        |
| 20       | 322-6       | Capscrew - Hex Hd.                                   | 4        |
| 21       | 01-265-0180 | Flex Coupling  | 1        |
| 22       | 01-169-0010 | Lock Washer  | 8        |
| 23       | 01-158-0150 | Capscrew - Socket Hd.                                | 8        |
| 24       | 01-260-0900 | "H" Bushing  | 1        |
| 25       | 48-004-5071 | Key  | 1        |
| 26       | 48-004-5521 | Cessna Pump Spacer                                   | 1        |
| 27       | 01-305-0090 | Cessna Pump  | 1        |
| *        | 48-005-0641 | Tow Valve Handle                                     | 1        |
| *        | 01-163-0100 | Set Screw  | 1        |
| *        | 01-305-0080 | Seal Kit   | 1        |
| 28       | 323-10      | Capscrew - Hex Hd.                                   | 2        |
| 29       | 48-004-3131 | Pump Support   | 1        |
| 30       | 323-6       | Capscrew - Hex Hd.                                   | 2        |
| 31       | 323-7       | Capscrew - Hex Hd.                                   | 2        |
| 32       | 01-273-0250 | Muffler Tube Kit, Includes<br>tubes, bolts & gaskets | 1        |
| 33       | 01-402-0230 | O-Ring   | 1        |
| 34       | 3296-22     | Lock Nut   | 2        |
| 35       | 01-166-0620 | "SAE" Flat Washer                                    | 4        |

\* Not Illustrated

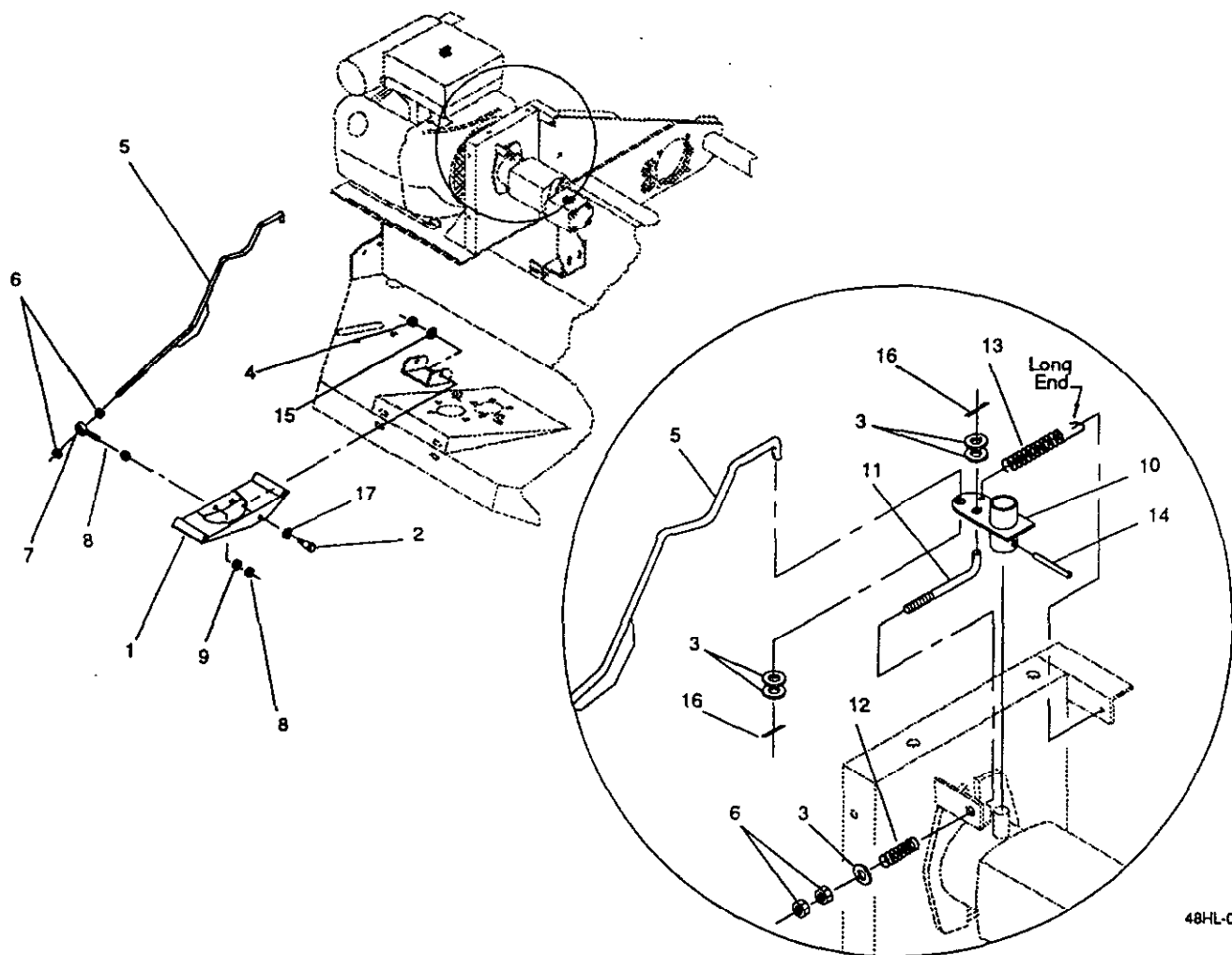


## GAS TANK & BATTERY HOLD DOWN

48HL-007

| Ref. No. | Part No.    | Description               | No. Used | Ref. No. | Part No.    | Description        | No. Used |
|----------|-------------|---------------------------|----------|----------|-------------|--------------------|----------|
| 1        | 48-005-0712 | Gas Tank                  | 1        | 8        | 323-7       | Capscrew - Hex Hd. | 2        |
| 2        | 01-280-0020 | Gas Cap - Type A - Vented | 1        | 9        | 3256-4      | Flat Washer        | 12       |
| 3        | 01-280-0190 | Tank Withdrawal Assembly  | 1        | 10       | 3253-5      | Lock Washer        | 2        |
| 4        | 01-217-0060 | Hose Barb                 | 1        | 11       | 3217-7      | Hex Nut            | 6        |
| 5        | 01-202-0030 | Hose Clamp                | 2        | 12       | 48-004-3831 | Battery Hold Down  | 1        |
| 6        | 48-004-6261 | Fuel Line (Onan)          | 1        | 13       | 01-506-0460 | Decal - Gas Only   | 1        |
| *        | 48-004-4111 | Fuel Line (B & S)         | 1        | 14       | 01-506-0540 | Decal - No Riders  | 1        |
| 7        | 48-004-5131 | PVK80 Rubber              | 2        | 15       | 01-506-0080 | Decal - Danger     | 2        |

\* Not Illustrated

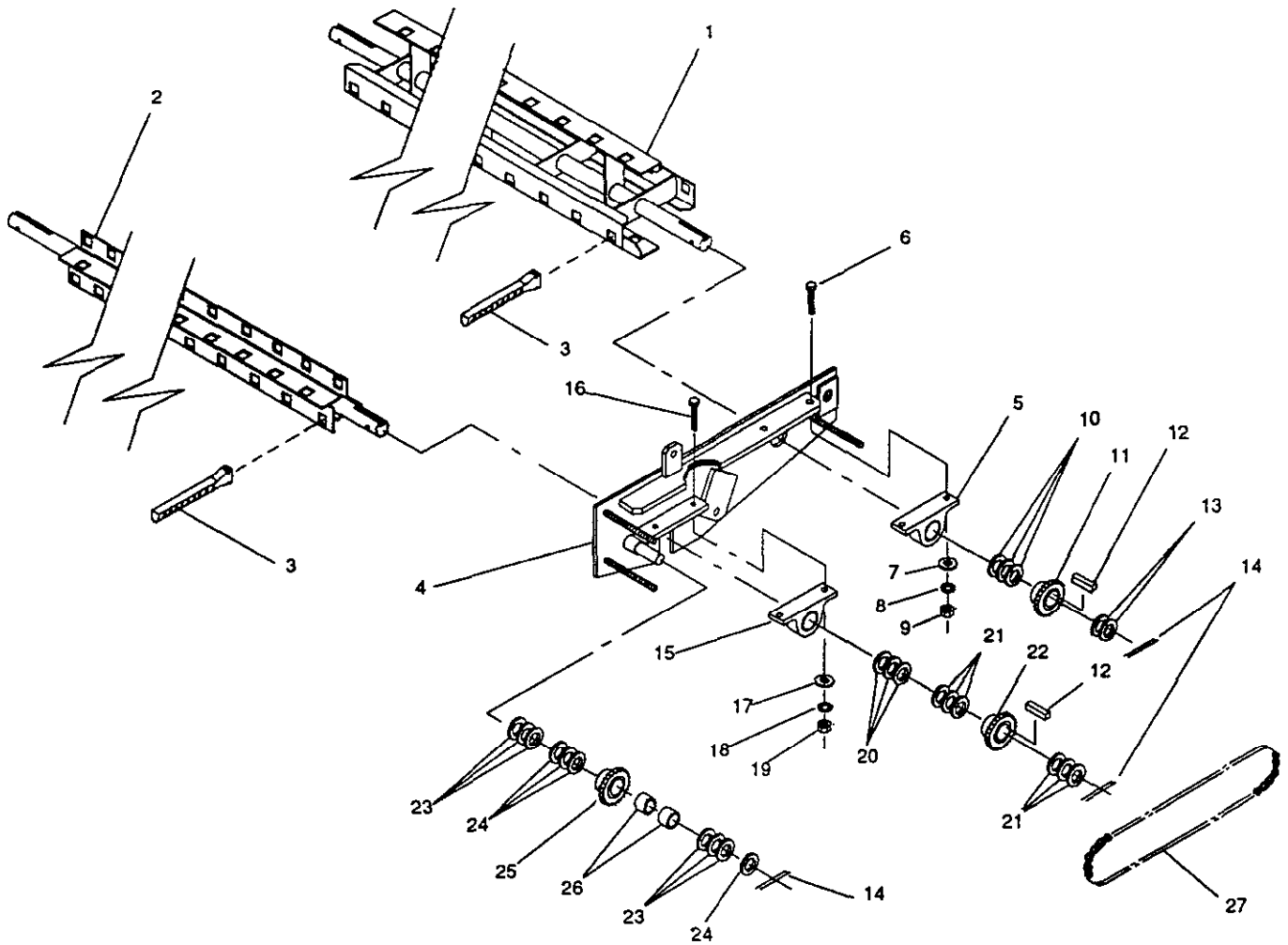


48HL-003

## FOOT PEDAL & PUMP CONTROL ROD ASSEMBLY

| Ref. No. | Part No.    | Description     | No. Used |
|----------|-------------|-----------------|----------|
| 1        | 48-005-0621 | Foot Pedal      | 1        |
| 2        | 01-158-0270 | Shoulder Bolt   | 2        |
| 3        | 3256-4      | Flat Washer     | 9        |
| 4        | 01-189-0518 | Lock Nut        | 2        |
| 5        | 48-005-8231 | Control Rod     | 1        |
| 6        | 3217-7      | Hex Nut         | 4        |
| 7        | 01-250-0020 | Rod End Bearing | 1        |
| 8        | 3220-3      | Jam Nut         | 2        |
| 9        | 3219-3      | Hex Nut         | 1        |

| Ref. No. | Part No.    | Description               | No. Used |
|----------|-------------|---------------------------|----------|
| 10       | 48-005-0241 | Pump Control Arm Assembly | 1        |
| 11       | 48-004-2601 | Spring Rod                | 1        |
| 12       | 01-261-0330 | Spring                    | 1        |
| 13       | 01-261-0780 | Spring                    | 1        |
| 14       | 32121-12    | Roll Pin                  | 1        |
| 15       | 3256-2      | Flat Washer               | 2        |
| 16       | 3272-11     | Cotter Pin                | 2        |
| 17       | 3256-3      | Flat Washer               | 2        |

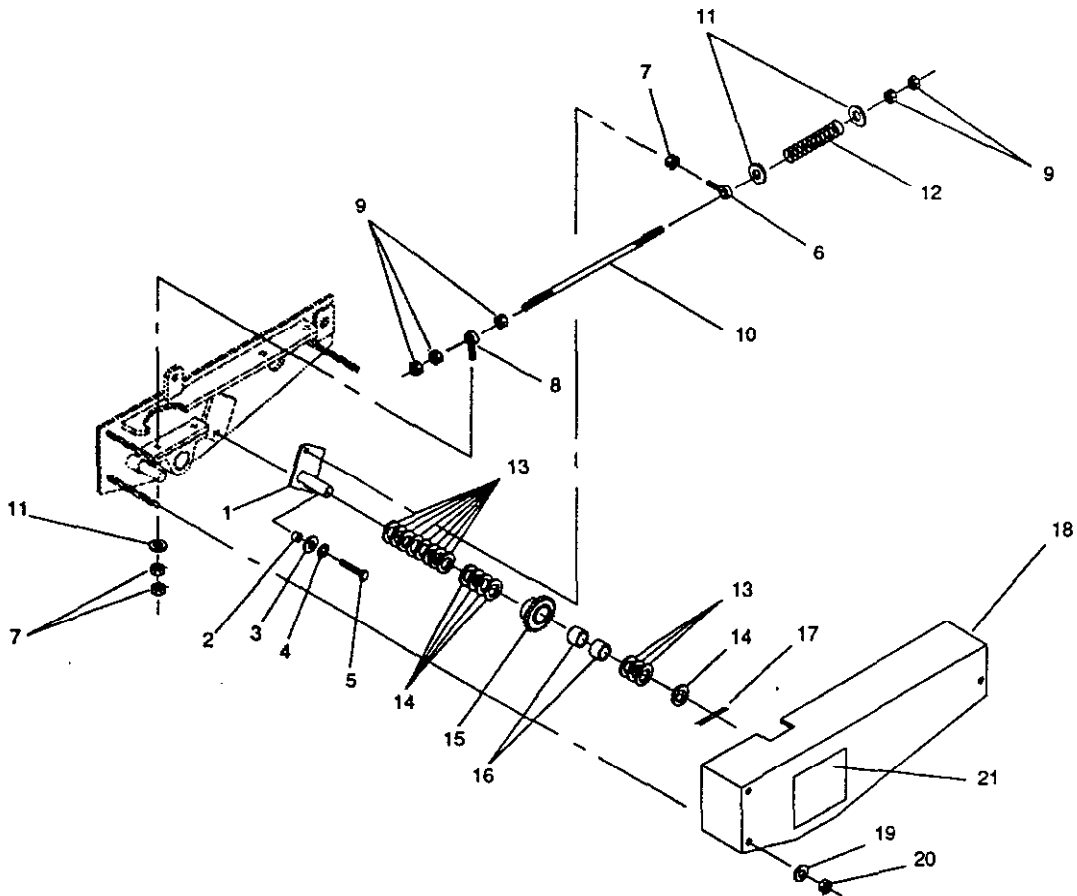


## SWEEPER REEL & TIMING CHAIN ASSEMBLY

48HL-008

| Ref. No. | Part No.    | Description               | No. Used | Ref. No. | Part No.    | Description                                     | No. Used |
|----------|-------------|---------------------------|----------|----------|-------------|---|----------|
| 1        | 48-005-0201 | Rear Reel Assembly        | 1        | 16       | 323-8       | Capscrew - Hex Hd.                              | 1        |
| 2        | 48-005-0131 | Front Reel Assembly       | 1        | 17       | 3256-4      | Flat Washer                                     | 1        |
| 3        | 01-279-0010 | Rubber Fingers            | 116      | 18       | 3253-5      | Lock Washer                                     | 1        |
| 4        | 48-005-0182 | Reel Plate Assembly, L.H. | 1        | 19       | 3217-7      | Hex Nut   | 1        |
| 5        | 01-113-0020 | Bearing                   | 1        | 20       | 01-168-1610 | Machinery Bushing                               | 3(var)   |
| 6        | 325-7       | Capscrew - Hex Hd.        | 2        | 21       | 01-168-1614 | Machinery Bushing                               | 6(var)   |
| 7        | 3256-6      | Flat Washer               | 2        | 22       | 01-262-0050 | Sprocket  | 1        |
| 8        | 3253-7      | Lock Washer               | 2        | 23       | 01-168-1410 | Machinery Bushing                               | 6(var)   |
| 9        | 3217-9      | Hex Nut                   | 2        | 24       | 01-168-1414 | Machinery Bushing                               | 4(var)   |
| 10       | 01-168-2014 | Machinery Bushing         | 3(var)   | 25       | 01-262-0610 | Sprocket  | 1        |
| 11       | 01-262-0040 | Sprocket                  | 1        | 26       | 01-105-0520 | Needle Bearing                                  | 2        |
| 12       | 48-004-1931 | Key                       | 2        | *        | 48-002-5441 | Idler Sprocket Assembly<br>(Incl. Ref. #25, 26) | 1        |
| 13       | 01-168-2010 | Machinery Bushing         | 2        | 27       | 48-004-4041 | Reel Chain, #50                                 | 1        |
| 14       | 3272-23     | Cotter Pin                | 3        | *        | 01-251-0020 | Offset Link                                     | 1        |
| 15       | 01-113-0010 | Bearing                   | 1        |          |             |   |          |

\* Not Illustrated



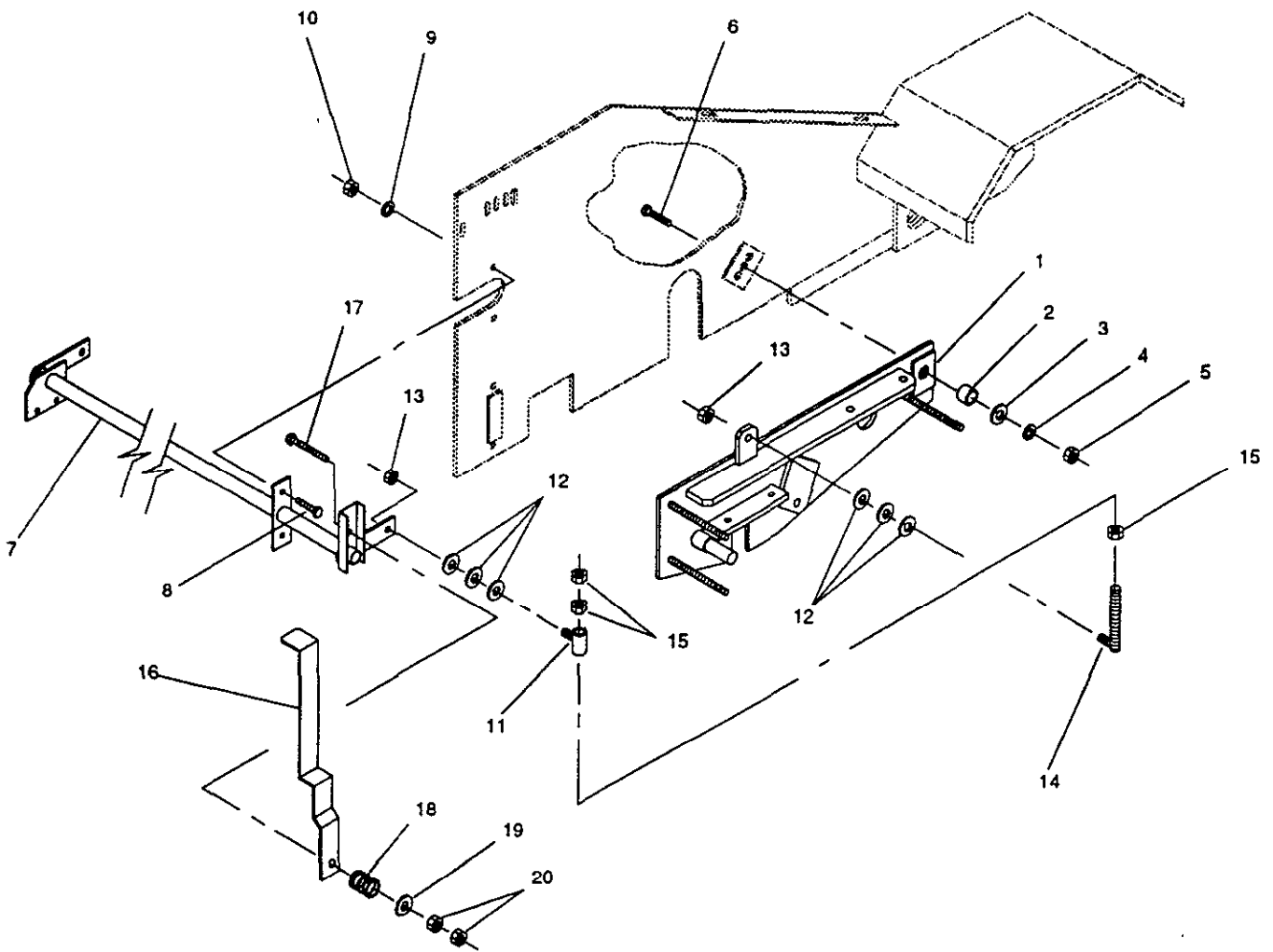
## CHAIN IDLER & GUARD ASSEMBLY

48HL-009

| Ref. No. | Part No.    | Description             | No. Used |
|----------|-------------|-------------------------|----------|
| 1        | 48-005-0191 | Idler Shaft Assembly    | 1        |
| 2        | 48-004-3881 | Spacer                  | 1        |
| 3        | 3256-26     | "SAE" Flat Washer       | 1        |
| 4        | 3253-7      | Lock Washer             | 1        |
| 5        | 325-5       | Capscrew - Hex Hd.      | 1        |
| 6        | 02-250-0020 | Rod End Bearing (short) | 1        |
| 7        | 3220-3      | Jam Nut                 | 3        |
| 8        | 01-250-0020 | Rod End Bearing         | 1        |
| 9        | 3217-7      | Hex Nut                 | 5        |
| 10       | 48-004-3891 | Idler Spring Rod        | 1        |
| 11       | 3256-4      | Flat Washer             | 3        |
| 12       | 01-261-0300 | Spring                  | 1        |

| Ref. No. | Part No.    | Description                                      | No. Used |
|----------|-------------|--|----------|
| 13       | 01-168-1410 | Machinery Bushing                                | 11(var)  |
| 14       | 01-168-1414 | Machinery Bushing                                | 5(var)   |
| 15       | 01-262-0610 | Sprocket   | 1        |
| 16       | 01-105-0520 | Needle Bearing                                   | 2        |
| *        | 48-002-5441 | Idler Sprocket Assembly<br>(Incl. Ref. # 15, 16) | 1        |
| 17       | 3272-23     | Cotter Pin                                       | 1        |
| 18       | 48-005-0162 | Idler Cover                                      | 1        |
| 19       | 3256-5      | Flat Washer                                      | 3        |
| 20       | 3296-48     | Lock Nut   | 3        |
| 21       | 01-506-0050 | Decal - Danger                                   | 1        |

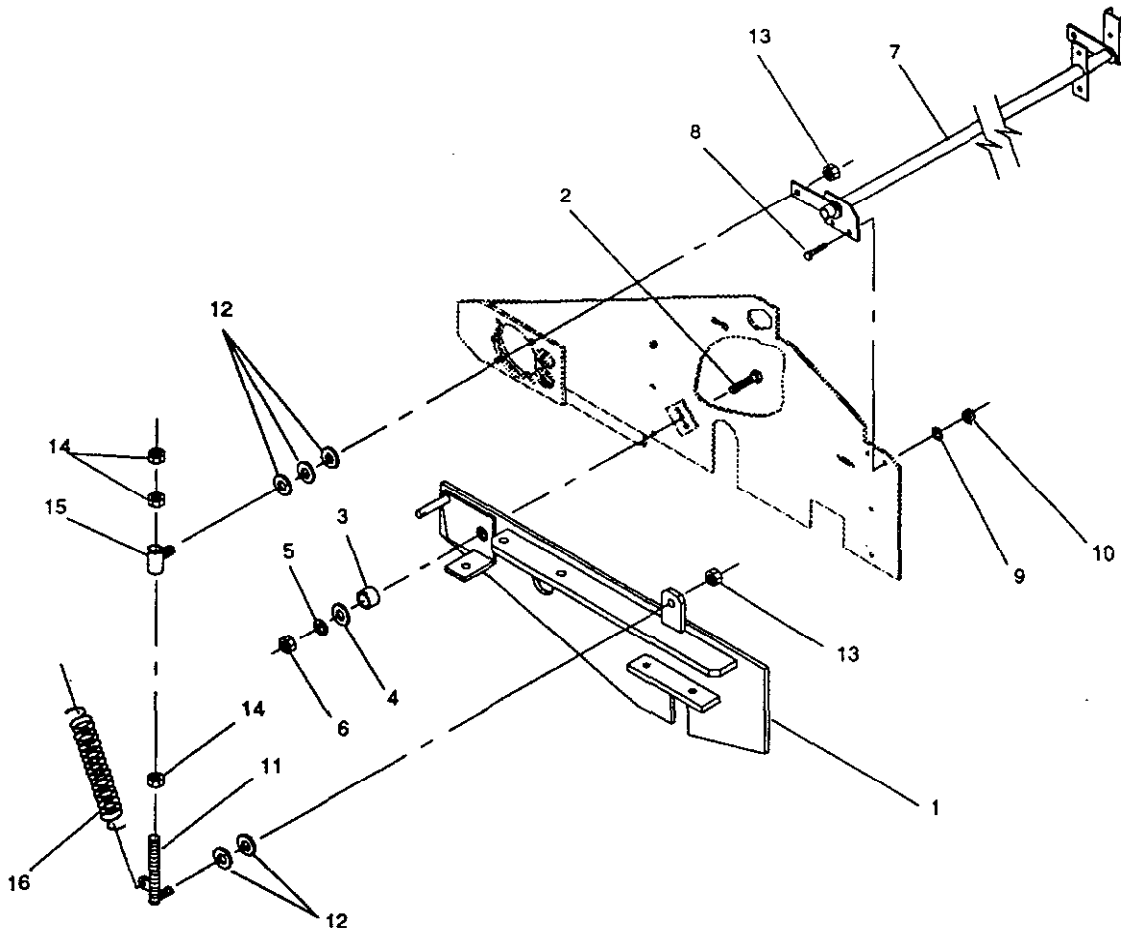
\* Not Illustrated



## REEL LIFT ASSEMBLY - L.H.

48HL-010

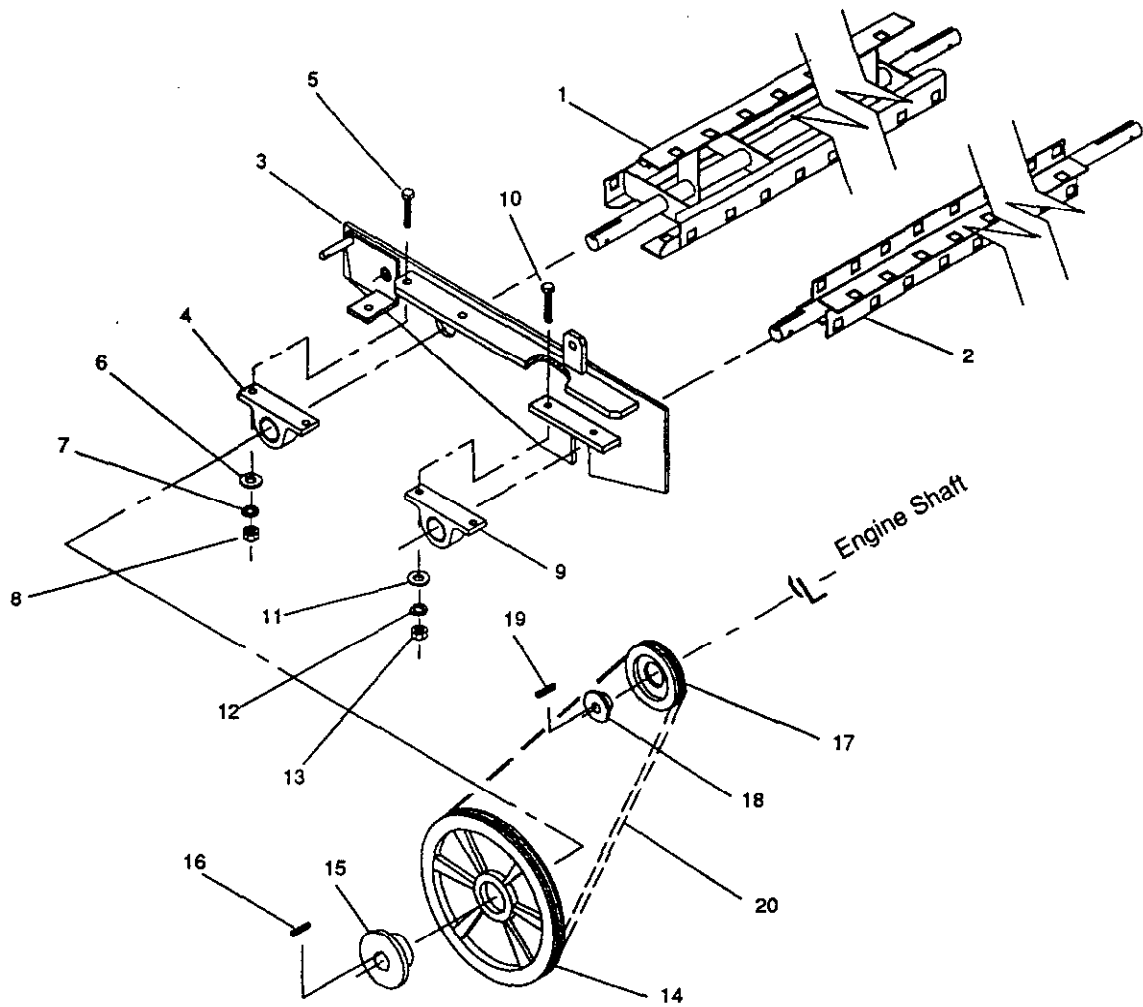
| Ref. No. | Part No.    | Description              | No. Used | Ref. No. | Part No.    | Description                 | No. Used |
|----------|-------------|--------------------------|----------|----------|-------------|-----------------------------|----------|
| 1        | 48-005-0182 | Reel Plate Assembly-L.H. | 1        | 11       | 48-005-0591 | Reel Lift Tube Assembly     | 1        |
| 2        | 48-004-5841 | Reel Plate Spacer        | 1        | 12       | 3256-6      | Flat Washer                 | 6        |
| 3        | 3256-27     | "SAE" Flat Washer        | 1        | 13       | 01-189-0813 | Lock Nut                    | 2        |
| 4        | 3253-8      | Lock Washer              | 1        | 14       | 48-005-0231 | Reel Lift Rod Assembly-L.H. | 1        |
| 5        | 3218-6      | Jam Nut                  | 1        | 15       | 3217-11     | Hex Nut                     | 3        |
| 6        | 327-6       | Capscrew - Hex Hd.       | 1        | 16       | 48-005-0222 | Handle                      | 1        |
| 7        | 48-005-0432 | Reel Lift Assembly       | 1        | 17       | 323-11      | Capscrew - Hex Hd.          | 1        |
| 8        | 323-6       | Capscrew - Hex Hd.       | 2        | 18       | 01-261-0240 | Spring                      | 1        |
| 9        | 3253-5      | Lock Washer              | 2        | 19       | 3256-4      | Flat Washer                 | 1        |
| 10       | 3217-7      | Hex Nut                  | 2        | 20       | 3218-3      | Jam Nut                     | 2        |



## REEL LIFT ASSEMBLY - R.H.

48HL-011

| Ref. No. | Part No.    | Description              | No. Used | Ref. No. | Part No.    | Description                 | No. Used |
|----------|-------------|--------------------------|----------|----------|-------------|-----------------------------|----------|
| 1        | 48-005-0172 | Reel Plate Assembly-R.H. | 1        | 9        | 3253-5      | Lock Washer                 | 2        |
| 2        | 327-6       | Capscrew - Hex Hd.       | 1        | 10       | 3217-7      | Hex Nut                     | 2        |
| 3        | 48-004-5841 | Reel Plate Spacer        | 1        | 11       | 48-005-5781 | Reel Lift Rod Assembly-R.H. | 1        |
| 4        | 3256-27     | "SAE" Flat Washer        | 1        | 12       | 3256-6      | Flat Washer                 | 5        |
| 5        | 3253-8      | Lock Washer              | 1        | 13       | 01-189-0813 | Lock Nut                    | 2        |
| 6        | 3218-6      | Jam Nut                  | 1        | 14       | 3217-24     | Hex Nut                     | 3        |
| 7        | 48-005-0432 | Reel Lift Assembly       | 1        | 15       | 48-005-0591 | Reel Lift Tube Assembly     | 3        |
| 8        | 323-6       | Capscrew - Hex Hd.       | 2        | 16       | 01-261-0340 | Spring                      | 1        |

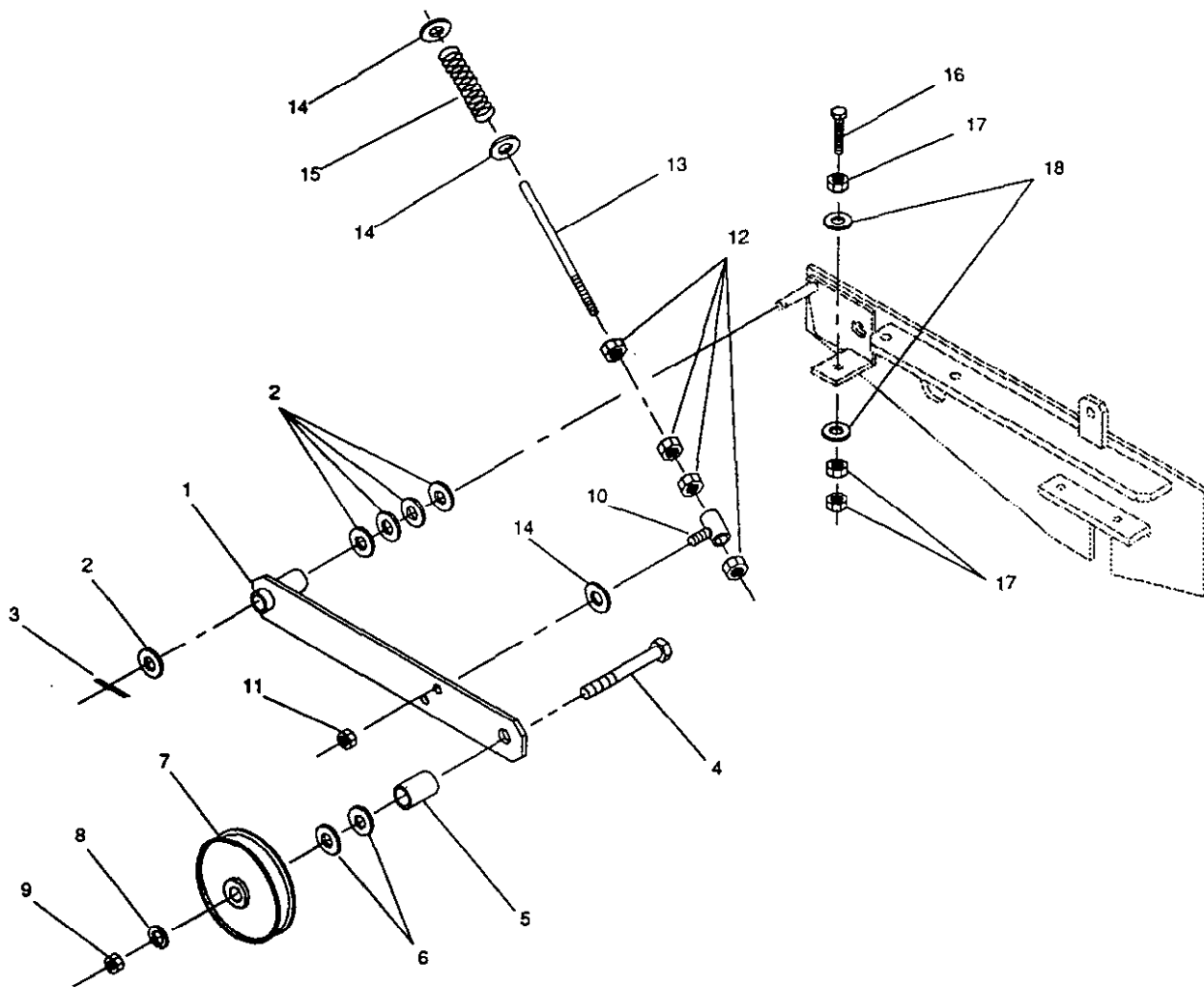


## BELT DRIVE ASSEMBLY

48HL-012

| Ref. No. | Part No.    | Description              | No. Used | Ref. No. | Part No.    | Description     | No. Used |
|----------|-------------|--------------------------|----------|----------|-------------|-----------------|----------|
| 1        | 48-005-0201 | Rear Reel Assembly       | 1        | 12       | 3253-5      | Lock Washer     | 2        |
| 2        | 48-005-0131 | Front Reel Assembly      | 1        | 13       | 3217-7      | Hex Nut         | 2        |
| 3        | 48-005-0172 | Reel Plate Assembly-R.H. | 1        | 14       | 01-260-0010 | Sheave          | 1        |
| 4        | 01-113-0020 | Bearing                  | 1        | 15       | 01-260-0290 | Bushing         | 1        |
| 5        | 325-7       | Capscrew - Hex Hd.       | 2        | 16       | 66-004-3211 | Key             | 1        |
| 6        | 3256-6      | Flat Washer              | 2        | 17       | 01-260-0110 | Sheave          | 1        |
| 7        | 3253-7      | Lock Washer              | 2        | 18       | 01-260-0780 | Bushing (Oran)  | 1        |
| 8        | 3217-9      | Hex Nut                  | 2        | *        | 01-260-0280 | Bushing (B & S) | 1        |
| 9        | 01-113-0010 | Bearing                  | 1        | 19       | 82-004-1171 | Key             | 1        |
| 10       | 323-8       | Capscrew - Hex Hd.       | 2        | 20       | 01-264-0010 | Belt            | 1        |
| 11       | 3256-4      | Flat Washer              | 2        |          |             |                 |          |

\* Not Illustrated

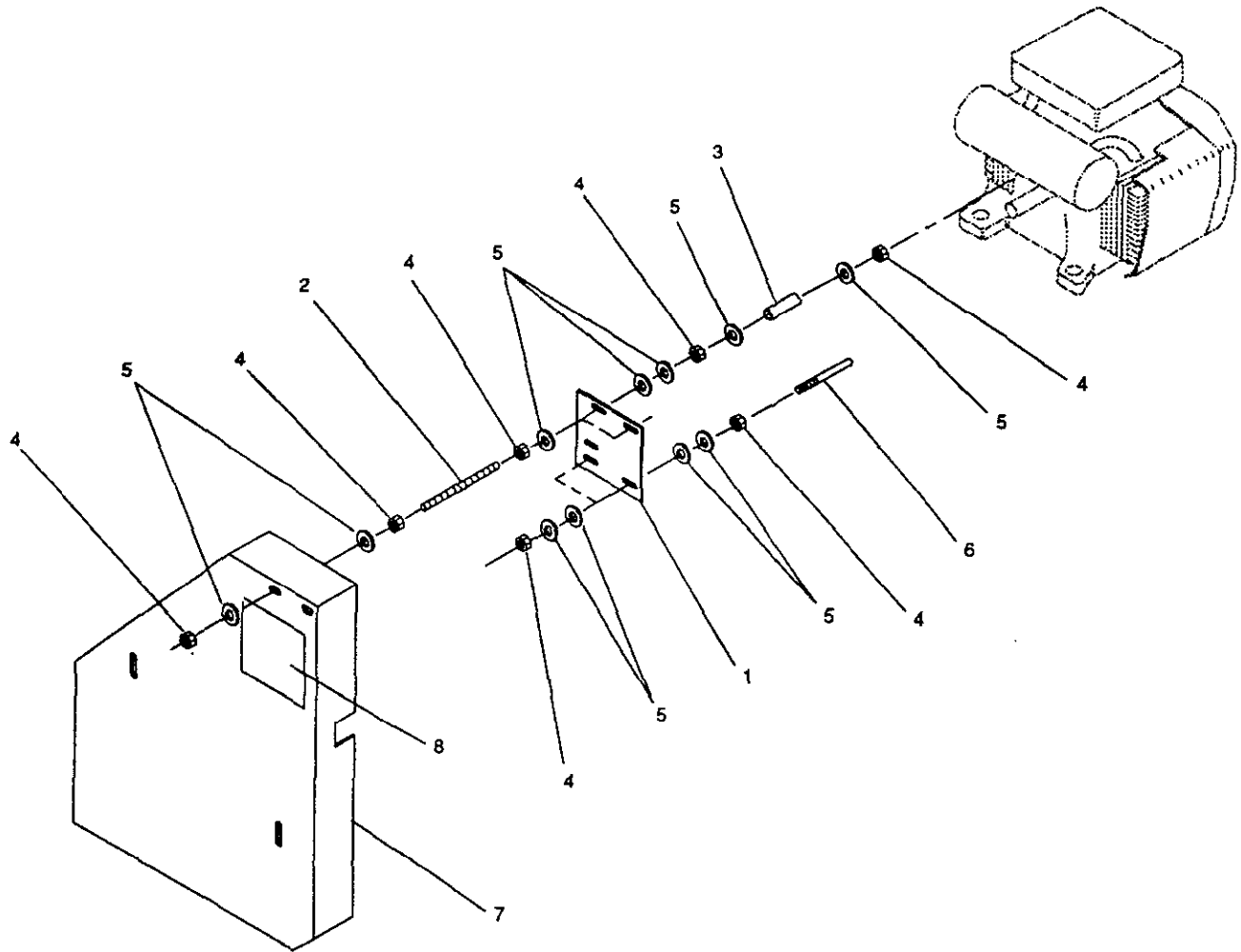


## BELT IDLER ASSEMBLY

48HL-013

| Ref. No. | Part No.    | Description        | No. Used |
|----------|-------------|--------------------|----------|
| 1        | 48-005-0611 | Idler Arm          | 1        |
| 2        | 01-168-1014 | Machinery Bushing  | 5        |
| 3        | 3272-21     | Cotter Pin         | 1        |
| 4        | 327-14      | Capscrew - Hex Hd. | 1        |
| 5        | 48-004-3471 | Spacer             | 1        |
| 6        | 3256-7      | Flat Washer        | 3        |
| 7        | 01-268-0010 | Pulley             | 1        |
| 8        | 3253-8      | Lock Washer        | 1        |
| 9        | 3217-11     | Hex Nut            | 1        |

| Ref. No. | Part No.    | Description               | No. Used |
|----------|-------------|---------------------------|----------|
| 10       | 48-005-0121 | Spring Tension Adjustment | 1        |
| 11       | 3296-22     | Lock Nut                  | 1        |
| 12       | 3217-7      | Hex Nut                   | 4        |
| 13       | 48-004-1711 | Idler Spring Rod          | 1        |
| 14       | 3256-4      | Flat Washer               | 3        |
| 15       | 01-261-0300 | Spring                    | 1        |
| 16       | 01-182-0832 | Capscrew - Hex Hd.        | 1        |
| 17       | 3217-9      | Hex Nut                   | 3        |
| 18       | 3256-6      | Flat Washer               | 2        |



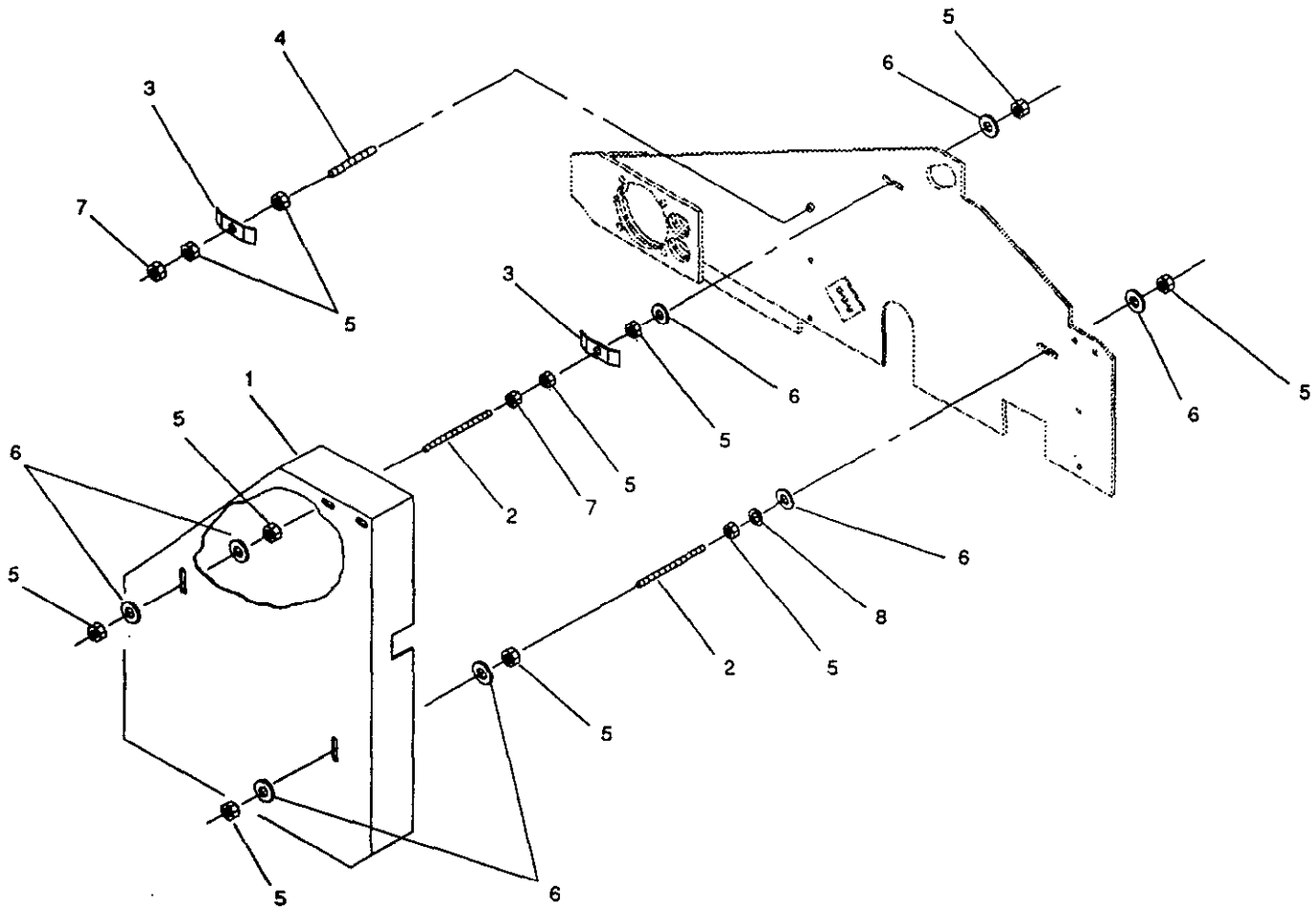
## BELT SLIP BRACKET

48HL-014

| Ref. No. | Part No.    | Description       | No. Used |
|----------|-------------|-------------------|----------|
| 1        | 48-004-3291 | Belt Slip Bracket | 1        |
| 2        | 01-650-0160 | All Thread(Onan)  | 2        |
| *        | 01-650-0140 | All Thread(B & S) | 2        |
| 3        | 48-004-6271 | Spacer (Onan)     | 2        |
| *        | 48-004-2101 | Spacer (B & S)    | 2        |

| Ref. No. | Part No.    | Description    | No. Used |
|----------|-------------|----------------|----------|
| 4        | 3217-7      | Hex Nut        | 14       |
| 5        | 3256-4      | Flat Washer    | 22       |
| 6        | 48-004-1211 | Belt Slip Pin  | 2        |
| 7        | 48-005-0322 | Belt Guard     | 1        |
| 8        | 01-506-0040 | Decal - Danger | 1        |

\* Not Illustrated

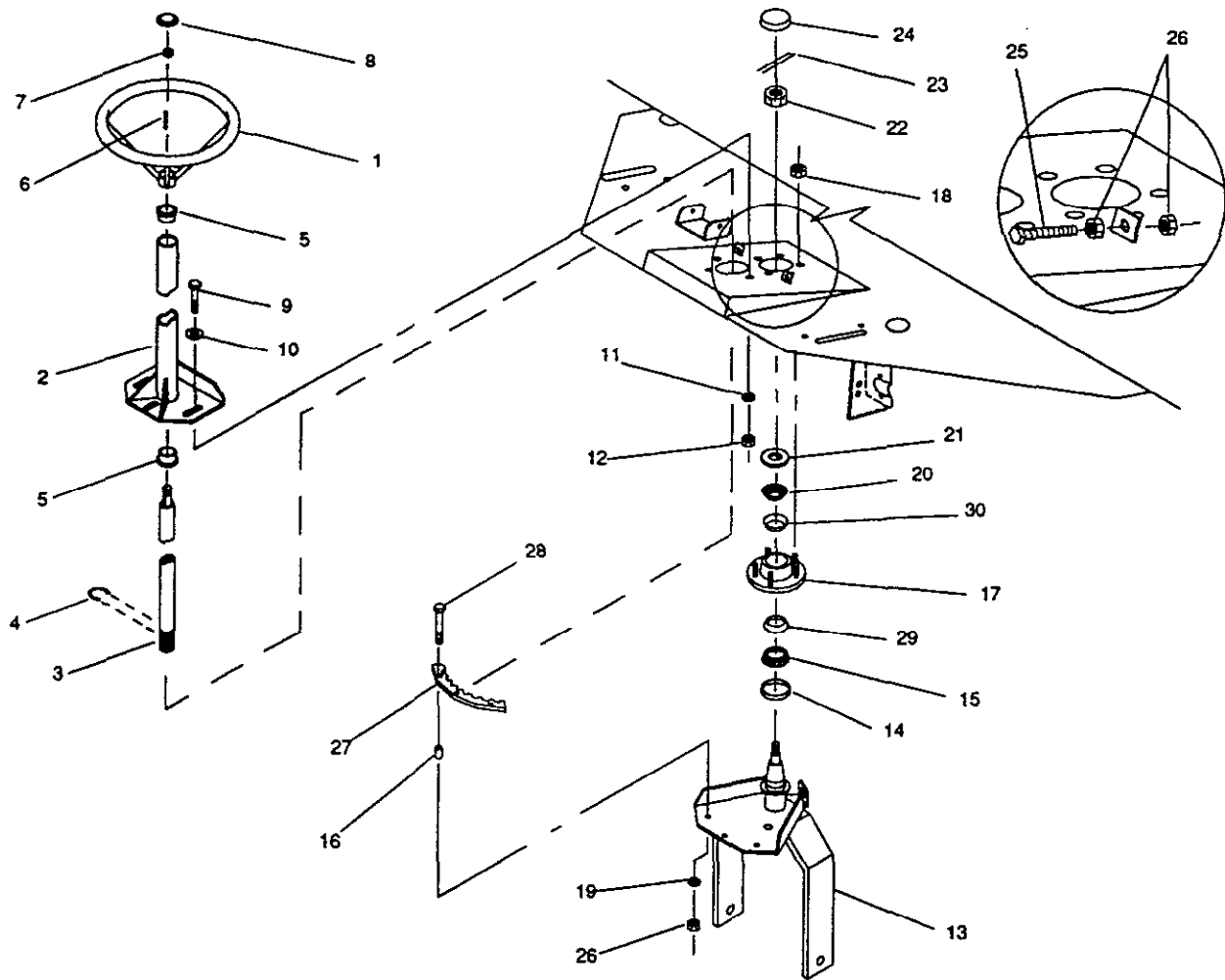


## BELT GUARD & HOSE BRACKETS

48HL-015

| Ref. No. | Part No.    | Description            | No. Used |
|----------|-------------|------------------------|----------|
| 1        | 48-005-0322 | Belt Guard             | 1        |
| 2        | 01-650-0420 | All Thread             | 2        |
| 3        | 48-004-1861 | Hose Hold Down Bracket | 2        |
| 4        | 01-650-0280 | All Thread             | 1        |

| Ref. No. | Part No. | Description | No. Used |
|----------|----------|-------------|----------|
| 5        | 3217-8   | Hex Nut     | 11       |
| 6        | 3256-5   | Flat Washer | 8        |
| 7        | 3218-4   | Jam Nut     | 2        |
| 8        | 3253-6   | Lock Washer | 1        |



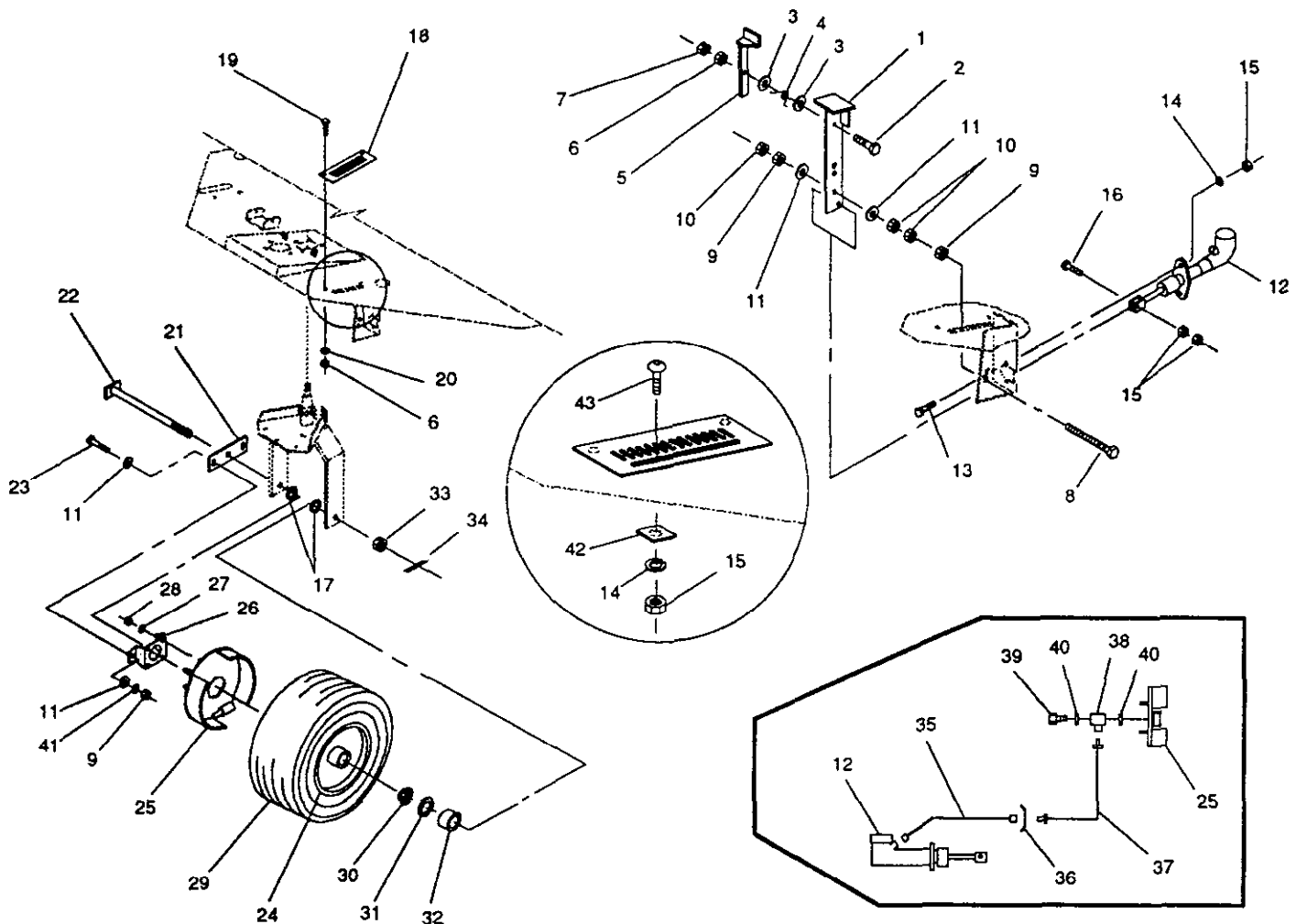
## STEERING ASSEMBLY

48HL-016

| Ref. No. | Part No.    | Description  | No. Used |
|----------|-------------|--|----------|
| 1        | 01-286-0130 | Steering Wheel   | 1        |
| 2        | 54-005-1521 | Steering Column Assembly                                 | 1        |
| *        | 54-002-0011 | Steering Column Assembly<br>w/bushing (Incl. Ref. # 2,5) | 1        |
| 3        | 54-004-1501 | Steering Shaft   | 1        |
| 4        | 01-160-0370 | Snap Ring  | 1        |
| 5        | 01-126-0110 | Bushing, Oilite  | 2        |
| 6        | 48-004-1961 | Key  | 1        |
| 7        | 3220-7      | Jam Nut  | 1        |
| 8        | 01-286-0030 | Cover Plate  | 1        |
| 9        | 325-6       | Capscrew - Hex Hd.                                       | 3        |
| 10       | 3256-6      | Flat Washer  | 3        |
| 11       | 3253-7      | Lock Washer  | 3        |
| 12       | 3217-9      | Hex Nut  | 3        |
| 13       | 54-005-0242 | Steering Yoke Assembly                                   | 1        |
| 14       | 01-405-0370 | Seal   | 1        |
| 15       | 01-102-0050 | Bearing  | 1        |
| 16       | 48-004-4651 | Sector Spacer  | 3        |

| Ref. No. | Part No.    | Description  | No. Used |
|----------|-------------|--|----------|
| 17       | 01-269-2040 | Steering Hub (Incl. Ref. #29,30)                           | 1        |
| 18       | 01-269-0300 | Lug Nut  | 5        |
| 19       | 3253-5      | Lock Washer  | 3        |
| 20       | 01-102-0070 | Bearing  | 1        |
| 21       | 3256-28     | "SAE" Flat Washer  | 1        |
| 22       | 01-190-1216 | Castle Nut   | 1        |
| 23       | 3272-25     | Cotter Pin   | 1        |
| 24       | 01-286-0040 | Grease Cap   | 1        |
| 25       | 01-182-0620 | Capscrew - Hex Hd.   | 2        |
| 26       | 3217-7      | Hex Nut  | 7        |
| 27       | 48-004-1282 | Steering Yoke Gear   | 1        |
| 28       | 323-11      | Capscrew - Hex Hd.   | 3        |
| 29       | 01-103-0040 | Inner Race   | 1        |
| 30       | 01-103-0140 | Outer Race   | 1        |
| *        | 01-269-0140 | Steering Hub , complete<br>(Incl. Ref. #14,15,17,18,20,24) | 1        |

\* Not Illustrated



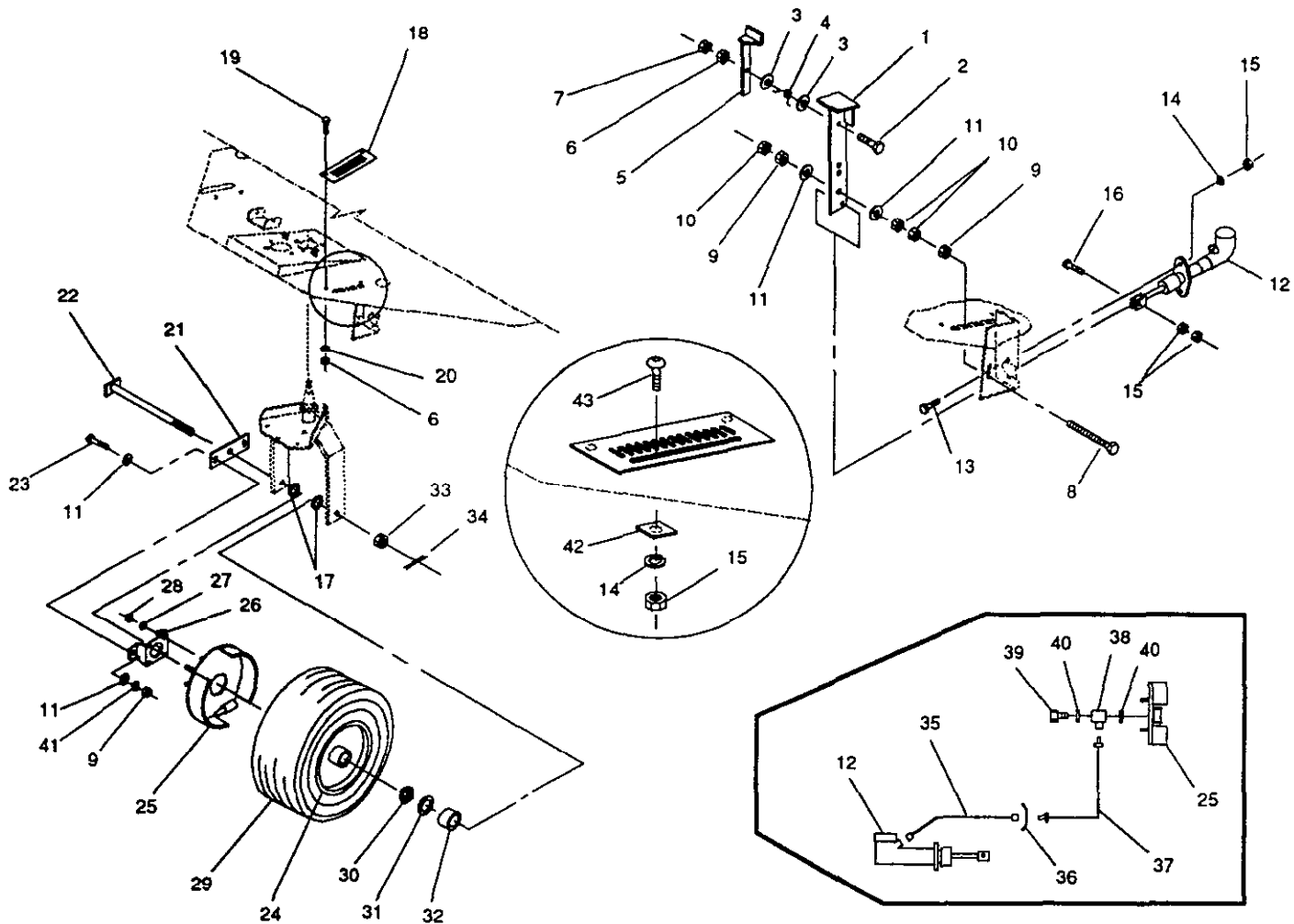
## BRAKE SYSTEM

48HL-017

| Ref. No. | Part No.    | Description              | No. Used |
|----------|-------------|--------------------------|----------|
| 1        | 48-005-0671 | Brake Pedal              | 1        |
| 2        | 323-9       | Capscrew - Hex Hd.       | 1        |
| 3        | 3256-4      | Flat Washer              | 2        |
| 4        | 01-261-0050 | Spring                   | 1        |
| 5        | 48-005-0781 | Brake Stop Weldment      | 1        |
| 6        | 3217-7      | Hex Nut                  | 3        |
| 7        | 3218-3      | Jam Nut                  | 1        |
| 8        | 01-182-0824 | Capscrew - Hex Hd.       | 1        |
| 9        | 3217-9      | Hex Nut                  | 4        |
| 10       | 3218-5      | Jam Nut                  | 3        |
| 11       | 3256-6      | Flat Washer              | 6        |
| 12       | 01-314-0290 | Hydraulic Brake Cylinder | 1        |
| 13       | 322-6       | Capscrew - Hex Hd.       | 2        |
| 14       | 3253-4      | Lock Washer              | 3        |
| 15       | 3217-6      | Hex Nut                  | 5        |
| 16       | 322-5       | Capscrew - Hex Hd.       | 1        |
| 17       | 01-168-1210 | Machinery Bushing        | 2        |
| 18       | 48-004-6241 | Brake Stop Plate         | 1        |
| 19       | 323-6       | Capscrew - Hex Hd.       | 2        |
| 20       | 3253-5      | Lock Washer              | 2        |
| 21       | 54-005-0261 | Brake Mount              | 1        |
| 22       | 54-005-0251 | Axle                     | 1        |
| 23       | 325-6       | Capscrew - Hex Hd.       | 2        |

| Ref. No. | Part No.    | Description               | No. Used |
|----------|-------------|---------------------------|----------|
| 24       | 54-005-0282 | Front Wheel               | 1        |
| 25       | 01-314-0300 | Hydraulic Brake Assembly  | 1        |
| *        | 01-266-0080 | Wheel Cylinder Assembly   | 1        |
| *        | 01-314-0500 | Wheel Cylinder Repair Kit | 1        |
| *        | 01-314-0540 | Capscrew - Socket Hd.     | 2        |
| *        | 01-314-0430 | Brake Shoe                | 2        |
| *        | 01-314-0470 | Brake Shoe Lever          | 2        |
| *        | 01-314-0480 | Brake Shoe Spring         | 2        |
| *        | 01-314-0460 | Anchor Pin                | 2        |
| *        | 01-160-0380 | Retaining Ring            | 2        |
| *        | 01-314-0490 | Adjusting Screw Assembly  | 2        |
| *        | 01-314-0550 | Shoulder Bolt             | 4        |
| 26       | 54-004-1241 | Brake Shoe Bracket        | 1        |
| 27       | 3253-6      | Lock Washer               | 4        |
| 28       | 3217-8      | Hex Nut                   | 4        |
| 29       | 01-269-0320 | Front Tire                | 1        |
| 30       | 01-102-0130 | Bearing                   | 2        |
| 31       | 01-405-0460 | Seal                      | 2        |
| 32       | 01-269-0060 | Axle Spacer               | 2        |
| 33       | 01-190-1210 | Castle Nut                | 1        |
| 34       | 3272-23     | Cotter Pin                | 1        |
| 35       | 01-314-0020 | Hydraulic Brake Hose      | 1        |
| 36       | 01-314-0070 | Brake Line Clip           | 1        |

\* Not Illustrated

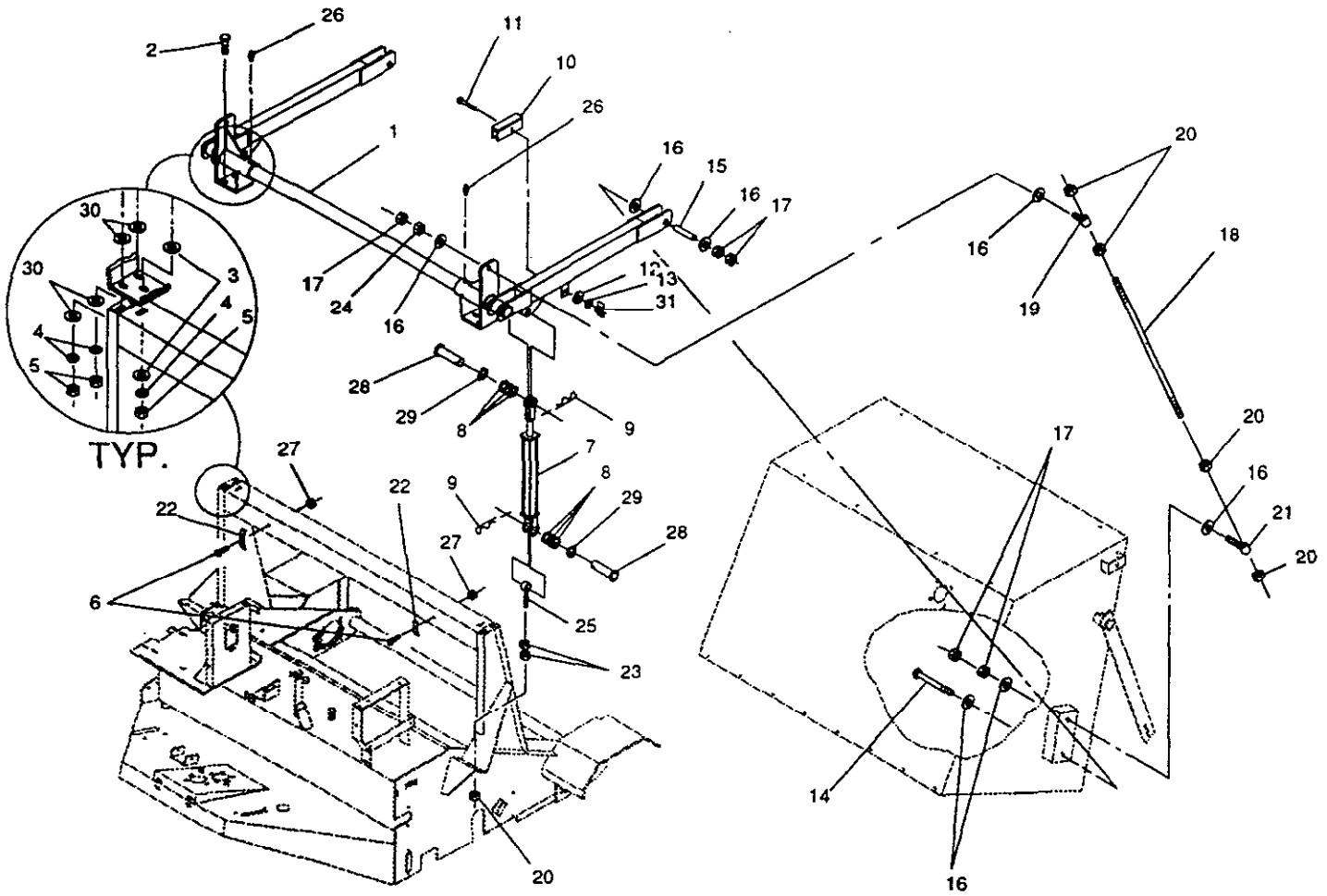


## BRAKE SYSTEM (Continued)

48HL-017

| Ref. No. | Part No.    | Description          | No. Used |
|----------|-------------|----------------------|----------|
| 37       | 01-314-0330 | Hydraulic Brake Line | 1        |
| 38       | 01-314-0360 | Connector            | 1        |
| 39       | 01-314-0340 | Bolt                 | 1        |
| 40       | 01-314-0350 | Gasket               | 2        |

| Ref. No. | Part No.    | Description      | No. Used |
|----------|-------------|------------------|----------|
| 41       | 3253-7      | Lock Washer      | 2        |
| 42       | 48-004-6631 | Break Pedal Stop | 1        |
| 43       | 3230-2      | Carriage Bolt    | 1        |



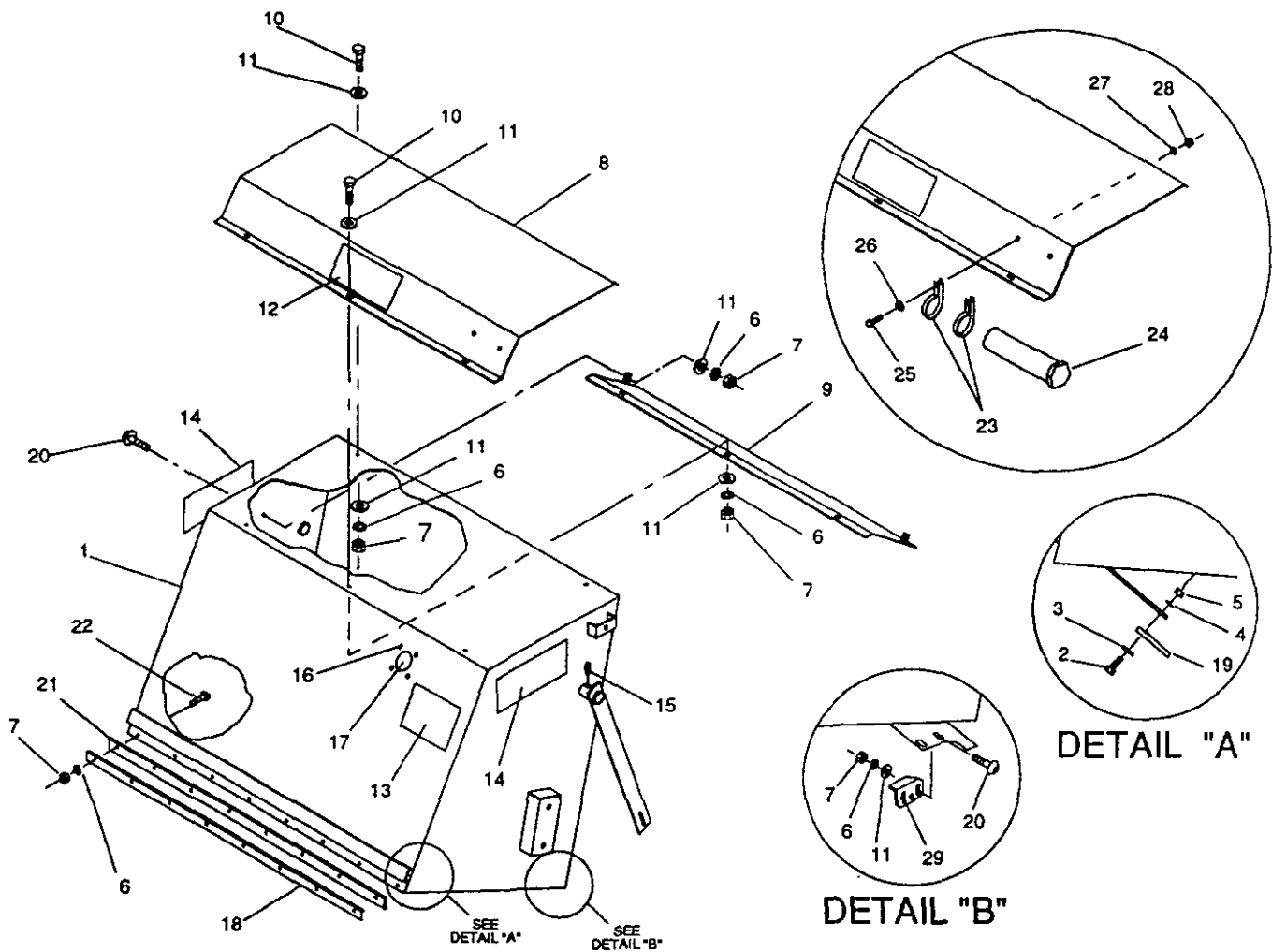
## HOPPER LIFT ARM ASSEMBLY

48HL-018

| Ref. No. | Part No.    | Description                              | No. Used |
|----------|-------------|--|----------|
| 1        | 48-005-0352 | Main Lift Arm                            | 1        |
| 2        | 325-6       | Capscrew - Hex Hd.                       | 6        |
| 3        | 3256-6      | Flat Washer                              | 4        |
| 4        | 3253-7      | Lock Washer                              | 6        |
| 5        | 3217-9      | Hex Nut                                  | 6        |
| 6        | 323-9       | Capscrew - Hex Hd.                       | 8        |
| 7        | 01-301-0050 | Hopper Lift Cylinder<br>(Incl. Ref. #28) | 1        |
| *        | 01-301-0100 | Seal Kit                                 | 1        |
| 8        | 01-168-1610 | Machinery Bushing                        | 6        |
| 9        | 01-159-0010 | Presto Pin                               | 4        |
| 10       | 48-005-0561 | Cylinder Safety Stop                     | 1        |
| 11       | 3231-10     | Carriage Bolt                            | 1        |
| 12       | 3256-4      | Flat Washer                              | 1        |
| 13       | 3253-5      | Lock Washer                              | 7        |
| 14       | 328-23      | Capscrew - Hex Hd.                       | 2        |
| 15       | 48-004-3441 | Spacer                                   | 2        |

| Ref. No. | Part No.    | Description             | No. Used |
|----------|-------------|-------------------------|----------|
| 16       | 01-166-1200 | Flat Washer             | 12       |
| 17       | 3218-7      | Jam Nut                 | 10       |
| 18       | 48-004-3052 | Upper Arm               | 2        |
| 19       | 48-005-0381 | Upper Pivot Arm Bracket | 2        |
| 20       | 3219-9      | Hex Nut                 | 9        |
| 21       | 48-005-0371 | Lower Pivot Assembly    | 2        |
| 22       | 48-004-4831 | Hose Bracket            | 2        |
| 23       | 01-191-1614 | Jam Nut                 | 2        |
| 24       | 3217-12     | Hex Nut                 | 2        |
| 25       | 48-005-0571 | Cylinder Adj. Pivot     | 1        |
| 26       | 01-215-0050 | Grease Zerk             | 4        |
| 27       | 3296-22     | Lock Nut                | 2        |
| 28       | 01-252-0150 | Clevis Pin              | 2        |
| 29       | 01-168-1614 | Machinery Bushing       | 2        |
| 30       | 3256-26     | "SAE" Flat Washer       | 8        |
| 31       | 32103-3     | Wing Nut                | 1        |

\* Not Illustrated



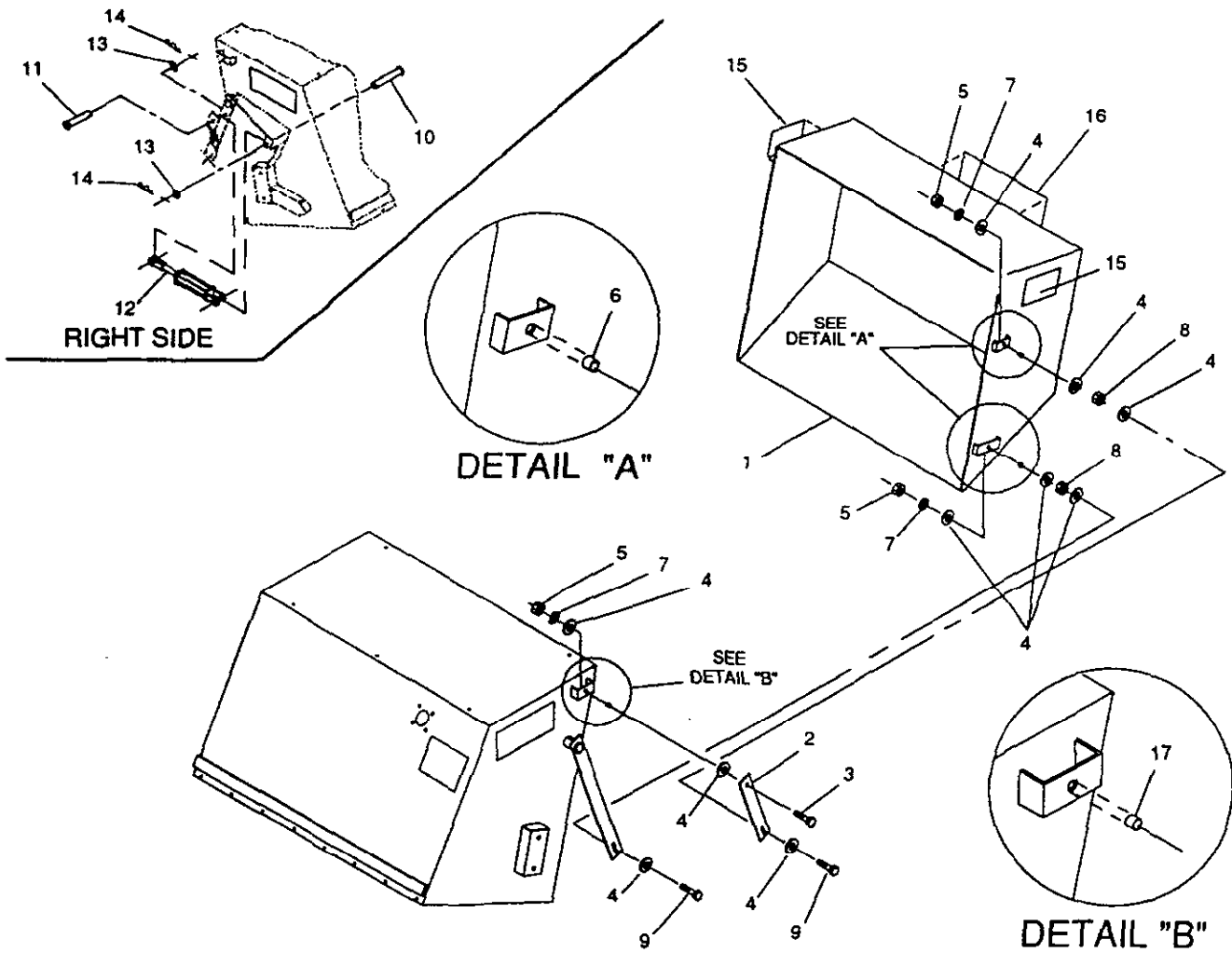
# HOPPER ASSEMBLY

48HL-019

| Ref. No. | Part No.    | Description                 | No. Used |
|----------|-------------|-----------------------------|----------|
| 1        | 48-005-0513 | Hopper                      | 1        |
| 2        | 322-3       | Capscrew - Hex Hd.          | 8        |
| 3        | 3256-3      | Flat Washer                 | 8        |
| 4        | 3253-4      | Lock Washer                 | 8        |
| 5        | 3217-6      | Hex Nut                     | 8        |
| 6        | 3253-5      | Lock Washer                 | 19       |
| 7        | 3217-7      | Hex Nut                     | 19       |
| 8        | 48-005-0292 | Dust Shield Assembly        | 1        |
| 9        | 48-004-6282 | Wet Leaf Deflector          | 1        |
| 10       | 01-184-0610 | Machine Screw - Rd. Hd.     | 5        |
| 11       | 3256-4      | Flat Washer                 | 16       |
| 12       | 01-506-0510 | Decal - Toro                | 1        |
| 13       | 01-506-0070 | Decal - Danger              | 1        |
| 14       | 01-506-0720 | Decal - Turf Sweeper 4800HL | 2        |
| 15       | 01-215-0050 | Grease Zerk                 | 2        |

| Ref. No. | Part No.    | Description                  | No. Used |
|----------|-------------|------------------------------|----------|
| 16       | 01-161-0030 | Pop Rivet                    | 4        |
| 17       | 48-004-4641 | Peep Hole Cover              | 1        |
| 18       | 48-004-6161 | Rubber Flap Mount            | 1        |
| 19       | 48-004-5451 | Hopper Floor Seal            | 1        |
| 20       | 3231-2      | Carriage Bolt                | 6        |
| 21       | 48-004-6191 | Hopper Flap                  | 1        |
| 22       | 323-7       | Capscrew - Hex Hd.           | 8        |
| 23       | 2412-133    | R-Clamp                      | 2        |
| 24       | 74-0720     | Manual Tube                  | 1        |
| 25       | 321-4       | Capscrew - Hex Hd.           | 2        |
| 26       | 3256-2      | Flat Washer                  | 2        |
| 27       | 3253-3      | Lock Washer                  | 2        |
| 28       | 3217-5      | Hex Nut                      | 2        |
| 29       | 48-004-4461 | Hopper Pivot Adj. Bracket-RH | 1        |
| *        | 48-004-6591 | Hopper Pivot Adj. Bracket-LH | 1        |

\* Not Illustrated

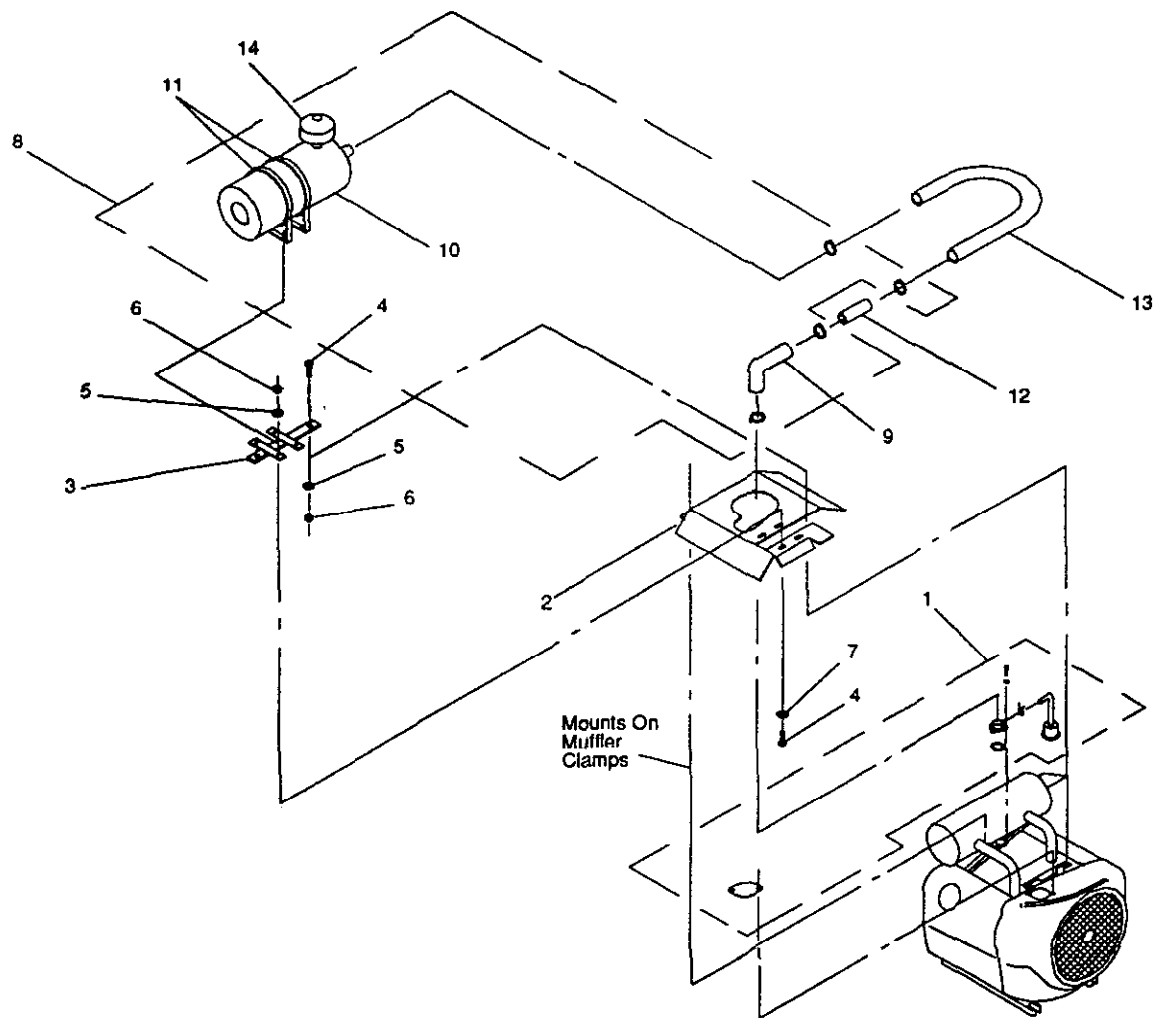


## HOPPER DOOR ASSEMBLY

48HL-022

| Ref. No. | Part No.    | Description           | No. Used | Ref. No. | Part No.    | Description                | No. Used |
|----------|-------------|-----------------------|----------|----------|-------------|----------------------------|----------|
| 1        | 48-005-0602 | High Lift Hopper Door | 1        | 10       | 48-005-0341 | Hopper Door Cyl. Pin-lower | 1        |
| 2        | 48-004-3001 | Door Linkage-Upper    | 2        | 11       | 48-005-0331 | Hopper Door Cyl. Pin-upper | 1        |
| 3        | 325-7       | Capscrew - Hex Hd.    | 2        | 12       | 01-301-0060 | Door Lift Cylinder         | 1        |
| 4        | 3256-6      | Flat Washer           | 20       | *        | 01-301-0100 | Seal Kit                   | 1        |
| 5        | 3217-9      | Hex Nut               | 6        | 13       | 3256-42     | Flat Washer                | 2        |
| 6        | 48-004-6101 | Hopper Box Spacer     | 4        | 14       | 01-159-0010 | Presto Pin                 | 2        |
| 7        | 3253-7      | Lock Washer           | 6        | 15       | 01-506-0060 | Decal - Danger             | 2        |
| 8        | 3218-5      | Jam Nut               | 4        | 16       | 01-506-0530 | Decal - Toro               | 1        |
| 9        | 325-8       | Capscrew - Hex Hd.    | 4        | 17       | 48-004-6311 | Hopper Box Spacer          | 2        |

\* Not Illustrated



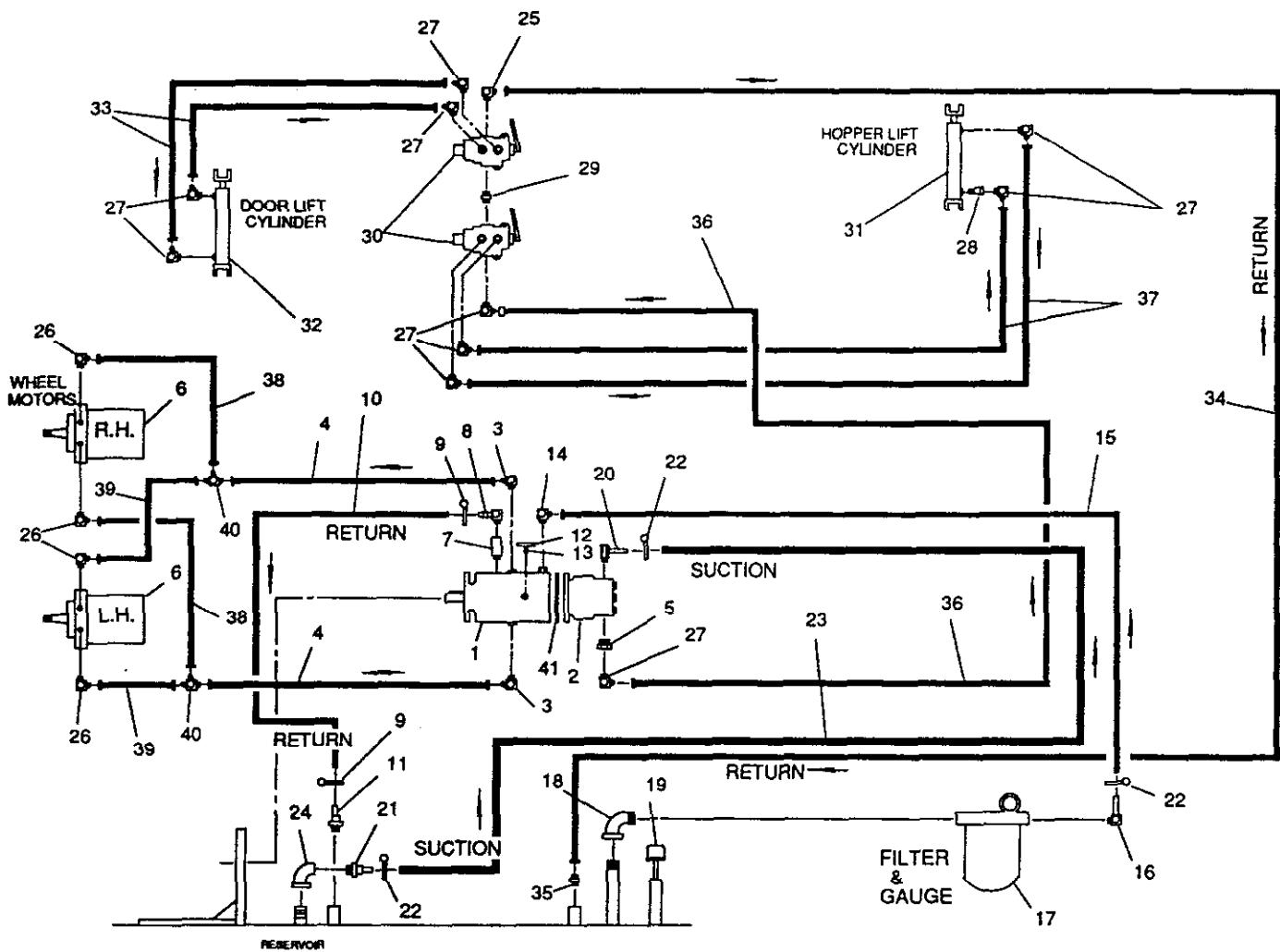
## DONALDSON AIR CLEANER - MODEL NO. 44062

48HL-020

| Ref. No. | Part No.    | Description        | No. Used |
|----------|-------------|--------------------|----------|
| 1        | 01-289-0330 | Adaptor Kit        | 1        |
| 2        | 48-004-6302 | Air Cleaner Base   | 1        |
| 3        | 48-005-0791 | Air Cleaner Mount  | 1        |
| 4        | 322-5       | Capscrew - Hex Hd. | 6        |
| 5        | 3253-4      | Lock Washer        | 6        |
| 6        | 3217-6      | Hex Nut            | 6        |
| 7        | 3256-3      | Flat Washer        | 4        |
| 8        | 01-289-0280 | Air Cleaner Kit    | 1        |

| Ref. No. | Part No.    | Description                      | No. Used |
|----------|-------------|----------------------------------|----------|
| *        | 01-289-0470 | Filter Element (Incl. w/Ref. #8) | 1        |
| 9        | 01-289-0300 | Air Cleaner-Elbow                | 1        |
| 10       | 01-289-0310 | Air Cleaner (Incl. Ref. #11)     | 1        |
| 11       | 01-289-0320 | Bands                            | 1        |
| 12       | 93-004-0511 | Spacer                           | 1        |
| 13       | 54-004-1701 | Hose                             | 1        |
| 14       | 01-289-0290 | Pre-cleaner                      | 1        |

\* Not Illustrated



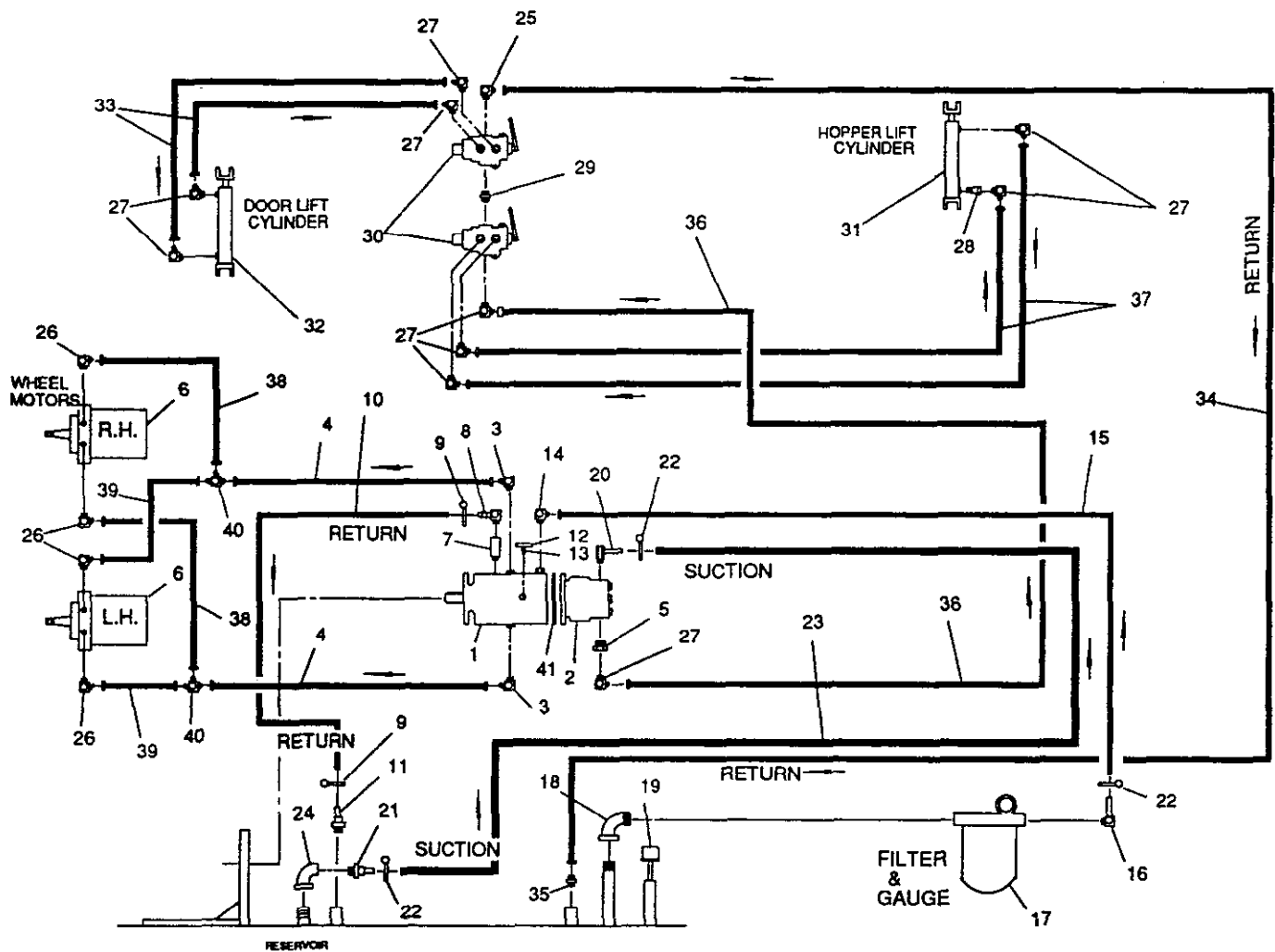
## 4800HL - HYDRAULIC SCHEMATIC

48HL-021

| Ref. No. | Part No.    | Description      | No. Used |
|----------|-------------|------------------|----------|
| 1        | 01-305-0090 | Cessna Pump      | 1        |
| *        | 01-305-0080 | Seal Kit         | 1        |
| 2        | 01-305-0020 | Sundstrand Pump  | 1        |
| *        | 01-305-0600 | Seal Kit         | 1        |
| 3        | 01-201-0440 | Fitting          | 2        |
| 4        | 01-312-1260 | Hose Assembly    | 2        |
| 5        | 01-201-0020 | Fitting          | 1        |
| 6        | 01-304-0410 | Hyd. Motor       | 2        |
| *        | 01-304-0260 | Seal Kit         | 1        |
| 7        | 01-201-0490 | Fitting          | 1        |
| 8        | 01-217-0050 | Hose Barb        | 1        |
| 9        | 01-202-0030 | Hose Clamp       | 2        |
| 10       | 48-004-4921 | Hose Assembly    | 1        |
| 11       | 01-217-0060 | Hose Barb        | 1        |
| 12       | 48-005-0641 | Tow Valve Handle | 1        |
| 13       | 01-163-0100 | Set Screw        | 1        |
| 14       | 01-201-1880 | Fitting          | 1        |
| 15       | 01-312-1710 | Hose Assembly    | 1        |
| 16       | 01-201-1890 | Fitting          | 1        |
| 17       | 01-316-0020 | Filter Assembly  | 1        |
| *        | 01-315-0010 | Filter Head      | 1        |
| *        | 01-317-0120 | Filter Element   | 1        |
| *        | 01-303-0010 | Filter Gauge     | 1        |

| Ref. No. | Part No.    | Description             | No. Used |
|----------|-------------|-------------------------|----------|
| 18       | 01-455-0020 | Fitting                 | 1        |
| 19       | 48-002-0101 | Breather Cap w/dipstick | 1        |
| 20       | 01-201-1080 | Fitting                 | 1        |
| 21       | 01-201-0750 | Fitting                 | 1        |
| 22       | 01-202-0050 | Hose Clamp              | 3        |
| 23       | 48-004-4931 | Hose Assembly           | 1        |
| 24       | 01-455-0080 | Fitting                 | 1        |
| 25       | 01-201-0530 | Fitting                 | 1        |
| 26       | 01-201-1580 | Fitting                 | 4        |
| 27       | 01-201-0190 | Fitting                 | 10       |
| 28       | 01-310-0040 | Fitting                 | 1        |
| 29       | 01-201-0160 | Fitting                 | 1        |
| 30       | 01-308-0050 | Valve                   | 2        |
| *        | 01-308-0130 | Seal Kit                | 1        |
| 31       | 01-301-0050 | Cylinder                | 1        |
| *        | 01-301-0100 | Seal Kit                | 1        |
| 32       | 01-301-0060 | Cylinder                | 1        |
| *        | 01-301-0100 | Seal Kit                | 1        |
| 33       | 01-312-0190 | Hose Assembly           | 2        |
| 34       | 01-312-0840 | Hose Assembly           | 1        |
| 35       | 01-201-0810 | Fitting                 | 1        |
| 36       | 01-312-0200 | Hose Assembly           | 1        |
| 37       | 01-312-0280 | Hose Assembly           | 2        |

\* Not Illustrated



## 4800HL - HYDRAULIC SCHEMATIC (Continued)

48HL-021

| Ref. No. | Part No.    | Description   | No. Used |
|----------|-------------|---------------|----------|
| 38       | 01-312-1430 | Hose Assembly | 2        |
| 39       | 01-312-1420 | Hose Assembly | 2        |

| Ref. No. | Part No.    | Description | No. Used |
|----------|-------------|-------------|----------|
| 40       | 01-201-1530 | Fitting     | 2        |
| 41       | 01-402-0230 | O-Ring      | 1        |

# PART NUMBER INDEX

| Part No.    | Description             | Pg. No. | Ref. No. | Qty. | Part No.    | Description             | Pg. No. | Ref. No. | Qty. |
|-------------|-------------------------|---------|----------|------|-------------|-------------------------|---------|----------|------|
| 01-102-0050 | Bearing                 | 15      | 15       | 1    | 01-201-0490 | Fitting                 | 22      | 7        | 1    |
| 01-102-0070 | Bearing                 | 15      | 20       | 1    | 01-201-0530 | Fitting                 | 22      | 25       | 1    |
| 01-102-0130 | Bearing                 | 16      | 30       | 2    | 01-201-0750 | Fitting                 | 22      | 21       | 1    |
| 01-103-0040 | Inner Race              | 15      | 29       | 1    | 01-201-0810 | Fitting                 | 22      | 35       | 1    |
| 01-103-0140 | Outer Race              | 15      | 30       | 1    | 01-201-1080 | Fitting                 | 22      | 20       | 1    |
| 01-105-0520 | Needle Bearing          | 7       | 26       | 2    | 01-201-1530 | Fitting                 | 23      | 40       | 2    |
| 01-105-0520 | Needle Bearing          | 8       | 16       | 2    | 01-201-1580 | Fitting                 | 22      | 26       | 4    |
| 01-113-0010 | Bearing                 | 11      | 9        | 1    | 01-201-1880 | Fitting                 | 22      | 14       | 1    |
| 01-113-0010 | Bearing                 | 7       | 15       | 1    | 01-201-1890 | Fitting                 | 22      | 16       | 1    |
| 01-113-0020 | Bearing                 | 11      | 4        | 1    | 01-202-0030 | Hose Clamp              | 22      | 9        | 2    |
| 01-113-0020 | Bearing                 | 7       | 5        | 1    | 01-202-0030 | Hose Clamp              | 5       | 5        | 2    |
| 01-126-0110 | Bushing, Oilite         | 15      | 5        | 2    | 01-202-0050 | Hose Clamp              | 22      | 22       | 3    |
| 01-127-0070 | Plastic Plug            | 1       | *        | 1    | 01-215-0050 | Grease Zerk             | 18      | 26       | 4    |
| 01-151-0170 | Cotter Pin              | 1       | 21       | 2    | 01-215-0050 | Grease Zerk             | 19      | 15       | 2    |
| 01-158-0150 | Capscrew - Socket Hd.   | 3       | 23       | 10   | 01-217-0050 | Hose Barb               | 22      | 8        | 1    |
| 01-158-0150 | Capscrew - Socket Hd.   | 4       | 23       | 8    | 01-217-0060 | Hose Barb               | 22      | 11       | 1    |
| 01-158-0270 | Shoulder Bolt           | 6       | 2        | 2    | 01-217-0060 | Hose Barb               | 5       | 4        | 1    |
| 01-158-1610 | Lug Bolt                | 1       | 24       | 10   | 01-250-0020 | Rod End Bearing         | 6       | 7        | 1    |
| 01-159-0010 | Presto Pin              | 18      | 9        | 4    | 01-250-0020 | Rod End Bearing         | 8       | 8        | 1    |
| 01-159-0010 | Presto Pin              | 20      | 14       | 2    | 01-251-0020 | Offset Link             | 7       | *        | 1    |
| 01-160-0370 | Snap Ring               | 15      | 4        | 1    | 01-252-0150 | Clevis Pin              | 18      | 28       | 2    |
| 01-160-0380 | Retaining Ring          | 16      | *        | 2    | 01-256-0020 | Throttle Handle         | 3       | *        | 1    |
| 01-161-0030 | Pop Rivet               | 19      | 16       | 4    | 01-260-0010 | Sheave                  | 11      | 14       | 1    |
| 01-163-0100 | Set Screw               | 22      | 13       | 1    | 01-260-0110 | Sheave                  | 11      | 17       | 1    |
| 01-163-0100 | Set Screw               | 3       | *        | 1    | 01-260-0280 | Bushing                 | 11      | *        | 1    |
| 01-163-0100 | Set Screw               | 4       | *        | 1    | 01-260-0290 | Bushing                 | 11      | 15       | 1    |
| 01-166-0620 | "SAE" Flat Washer       | 3       | 36       | 4    | 01-260-0780 | Bushing                 | 11      | 18       | 1    |
| 01-166-0620 | "SAE" Flat Washer       | 4       | 35       | 4    | 01-260-0900 | "H" Bushing             | 3       | 24       | 1    |
| 01-166-1200 | Flat Washer             | 18      | 16       | 12   | 01-260-0900 | "H" Bushing             | 4       | 24       | 1    |
| 01-168-1014 | Machinery Bushing       | 12      | 2        | 5    | 01-261-0050 | Spring                  | 16      | 4        | 1    |
| 01-168-1210 | Machinery Bushing       | 16      | 17       | 2    | 01-261-0240 | Spring                  | 1       | 4        | 4    |
| 01-168-1410 | Machinery Bushing       | 7       | 23       | 6    | 01-261-0240 | Spring                  | 9       | 18       | 1    |
| 01-168-1410 | Machinery Bushing       | 8       | 13       | 11   | 01-261-0300 | Spring                  | 12      | 15       | 1    |
| 01-168-1414 | Machinery Bushing       | 7       | 24       | 4    | 01-261-0300 | Spring                  | 8       | 12       | 1    |
| 01-168-1414 | Machinery Bushing       | 8       | 14       | 5    | 01-261-0330 | Spring                  | 6       | 12       | 1    |
| 01-168-1610 | Machinery Bushing       | 18      | 8        | 6    | 01-261-0340 | Spring                  | 10      | 16       | 1    |
| 01-168-1610 | Machinery Bushing       | 7       | 20       | 3    | 01-261-0780 | Spring                  | 6       | 13       | 1    |
| 01-168-1614 | Machinery Bushing       | 18      | 29       | 2    | 01-262-0040 | Sprocket                | 7       | 11       | 1    |
| 01-168-1614 | Machinery Bushing       | 7       | 21       | 6    | 01-262-0050 | Sprocket                | 7       | 22       | 1    |
| 01-168-2010 | Machinery Bushing       | 7       | 13       | 2    | 01-262-0610 | Sprocket                | 7       | 25       | 1    |
| 01-168-2014 | Machinery Bushing       | 7       | 10       | 3    | 01-262-0610 | Sprocket                | 8       | 15       | 1    |
| 01-169-0010 | Lock Washer             | 3       | 22       | 10   | 01-264-0010 | Belt                    | 11      | 20       | 1    |
| 01-169-0010 | Lock Washer             | 4       | 22       | 8    | 01-265-0180 | Flex Coupling           | 3       | 21       | 1    |
| 01-170-0160 | Clamp                   | 4       | 5        | 1    | 01-265-0180 | Flex Coupling           | 4       | 21       | 1    |
| 01-182-0616 | Capscrew - Hex Hd.      | 1       | 7        | 4    | 01-266-0080 | Wheel Cylinder Assembly | 16      | *        | 1    |
| 01-182-0620 | Capscrew - Hex Hd.      | 15      | 25       | 2    | 01-268-0010 | Pulley                  | 12      | 7        | 1    |
| 01-182-0824 | Capscrew - Hex Hd.      | 16      | 8        | 1    | 01-269-0060 | Axle Spacer             | 16      | 32       | 2    |
| 01-182-0832 | Capscrew - Hex Hd.      | 12      | 16       | 1    | 01-269-0140 | Steering Hub            | 15      | *        | 1    |
| 01-184-0610 | Machine Screw - Rd. Hd. | 19      | 10       | 7    | 01-269-0300 | Lug Nut                 | 15      | 18       | 5    |
| 01-189-0518 | Lock Nut                | 6       | 4        | 2    | 01-269-0320 | Front Tire              | 16      | 29       | 1    |
| 01-189-0813 | Lock Nut                | 10      | 13       | 2    | 01-269-0330 | Tire                    | 1       | 23       | 2    |
| 01-189-0813 | Lock Nut                | 9       | 13       | 2    | 01-269-1000 | Hub                     | 1       | 20       | 2    |
| 01-190-1210 | Castle Nut              | 16      | 33       | 1    | 01-269-1020 | Wheel                   | 1       | 22       | 2    |
| 01-190-1216 | Castle Nut              | 15      | 22       | 1    | 01-269-2040 | Steering Hub            | 15      | 17       | 1    |
| 01-190-1620 | Castle Nut              | 2       | 31       | 2    | 01-270-1370 | Engine                  | 4       | 1        | 1    |
| 01-191-1614 | Jam Nut                 | 18      | 23       | 2    | 01-270-1640 | Engine                  | 3       | 1        | 1    |
| 01-201-0020 | Fitting                 | 22      | 5        | 1    | 01-273-0240 | Muffler Kit             | 4       | 2        | 1    |
| 01-201-0160 | Fitting                 | 22      | 29       | 1    | 01-273-0250 | Muffler Tube Kit        | 4       | 32       | 1    |
| 01-201-0190 | Fitting                 | 22      | 27       | 10   | 01-273-0310 | Exhaust Extension       | 4       | 4        | 1    |
| 01-201-0440 | Fitting                 | 22      | 3        | 2    | 01-279-0010 | Rubber Fingers          | 7       | 3        | 116  |

\* Not Illustrated

# PART NUMBER INDEX (Continued)

| Part No.    | Description              | Pg. No. | Ref. No. | Qty. | Part No.    | Description                         | Pg. No. | Ref. No. | Qty. |
|-------------|--------------------------|---------|----------|------|-------------|-------------------------------------|---------|----------|------|
| 01-280-0020 | Gas Cap                  | 5       | 2        | 1    | 01-314-0430 | Brake Shoe                          | 16      | *        | 2    |
| 01-280-0190 | Tank Withdrawal Assembly | 5       | 3        | 1    | 01-314-0460 | Anchor Pin                          | 16      | *        | 2    |
| 01-286-0030 | Cover Plate              | 15      | 8        | 1    | 01-314-0470 | Brake Shoe Lever                    | 16      | *        | 2    |
| 01-286-0040 | Grease Cap               | 15      | 24       | 1    | 01-314-0480 | Brake Shoe Spring                   | 16      | *        | 2    |
| 01-286-0130 | Steering Wheel           | 15      | 1        | 1    | 01-314-0490 | Adjusting Screw Assembly            | 16      | *        | 2    |
| 01-286-0220 | Seat                     | 1       | 6        | 1    | 01-314-0500 | Wheel Cylinder Repair Kit           | 16      | *        | 1    |
| 01-288-0020 | Hour Meter               | 1       | 25       | 1    | 01-314-0540 | Capscrew - Socket Hd.               | 16      | *        | 2    |
| 01-289-0280 | Air Cleaner Kit          | 21      | 8        | 1    | 01-314-0550 | Shoulder Bolt                       | 16      | *        | 4    |
| 01-289-0290 | Pre-cleaner              | 21      | 14       | 1    | 01-315-0010 | Filter Head                         | 22      | *        | 1    |
| 01-289-0300 | Air Cleaner-Elbow        | 21      | 9        | 1    | 01-316-0020 | Filter Assembly                     | 22      | 17       | 1    |
| 01-289-0310 | Air Cleaner              | 21      | 10       | 1    | 01-317-0120 | Filter Element                      | 22      | *        | 1    |
| 01-289-0320 | Bands                    | 21      | 11       | 1    | 01-402-0230 | O-Ring                              | 23      | 41       | 1    |
| 01-289-0330 | Adaptor Kit              | 21      | 1        | 1    | 01-402-0230 | O-Ring                              | 3       | 33       | 1    |
| 01-289-0470 | Filter Element           | 21      | *        | 1    | 01-402-0230 | O-Ring                              | 4       | 33       | 1    |
| 01-301-0050 | Cylinder                 | 22      | 31       | 1    | 01-405-0370 | Seal                                | 15      | 14       | 1    |
| 01-301-0050 | Hopper Lift Cylinder     | 18      | 7        | 1    | 01-405-0460 | Seal                                | 16      | 31       | 2    |
| 01-301-0060 | Cylinder                 | 15      | 32       | 1    | 01-451-0010 | Pipe Plug                           | 1       | 13       | 1    |
| 01-301-0060 | Door Lift Cylinder       | 20      | 12       | 1    | 01-451-0020 | Pipe Plug                           | 3       | 6        | 1    |
| 01-301-0100 | Seal Kit                 | 15      | *        | 1    | 01-451-0020 | Pipe Plug                           | 4       | 8        | 1    |
| 01-301-0100 | Seal Kit                 | 15      | *        | 1    | 01-453-0130 | Pipe Coupling                       | 4       | 7        | 1    |
| 01-301-0100 | Seal Kit                 | 18      | *        | 1    | 01-455-0020 | Fitting                             | 22      | 18       | 1    |
| 01-301-0100 | Seal Kit                 | 20      | *        | 1    | 01-455-0030 | Pipe Elbow                          | 3       | 3        | 2    |
| 01-303-0010 | Filter Gauge             | 22      | *        | 1    | 01-455-0080 | Fitting                             | 22      | 24       | 1    |
| 01-304-0260 | Seal Kit                 | 1       | *        | 1    | 01-455-0100 | Elbow                               | 1       | 12       | 1    |
| 01-304-0260 | Seal Kit                 | 22      | *        | 1    | 01-456-0050 | Pipe Nipple                         | 3       | 2        | 1    |
| 01-304-0410 | Hyd. Motor               | 22      | 6        | 2    | 01-456-0050 | Pipe Nipple                         | 4       | 6        | 1    |
| 01-304-0410 | Hydraulic Motor          | 1       | 14       | 2    | 01-456-0070 | Pipe Nipple                         | 3       | 4        | 1    |
| 01-305-0020 | Sundstrand Pump          | 22      | 2        | 1    | 01-506-0040 | Decal - Danger                      | 13      | 8        | 1    |
| 01-305-0020 | Sundstrand Pump          | 3       | 34       | 1    | 01-506-0050 | Decal - Danger                      | 8       | 21       | 1    |
| 01-305-0020 | Sundstrand Pump          | 4       | 17       | 1    | 01-506-0060 | Decal - Danger                      | 20      | 15       | 2    |
| 01-305-0080 | Seal Kit                 | 22      | *        | 1    | 01-506-0070 | Decal - Danger                      | 19      | 13       | 1    |
| 01-305-0080 | Seal Kit                 | 3       | *        | 1    | 01-506-0080 | Decal - Danger                      | 5       | 15       | 2    |
| 01-305-0080 | Seal Kit                 | 4       | *        | 1    | 01-506-0090 | Decal - Danger                      | 2       | 28       | 1    |
| 01-305-0090 | Cessna Pump              | 22      | 1        | 1    | 01-506-0170 | Decal - Hopper Door/<br>Hopper Lift | 2       | 26       | 1    |
| 01-305-0090 | Cessna Pump              | 3       | 27       | 1    | 01-506-0460 | Decal - Gas Only                    | 5       | 13       | 1    |
| 01-305-0090 | Cessna Pump              | 4       | 27       | 1    | 01-506-0510 | Decal - Toro                        | 19      | 12       | 1    |
| 01-305-0600 | Seal Kit                 | 22      | *        | 1    | 01-506-0530 | Decal - Toro                        | 20      | 16       | 1    |
| 01-305-0600 | Seal Kit                 | 3       | *        | 1    | 01-506-0540 | Decal - No Riders                   | 5       | 14       | 1    |
| 01-305-0600 | Seal Kit                 | 4       | *        | 1    | 01-506-0560 | Decal - Hydraulic Oil               | 2       | 30       | 1    |
| 01-308-0050 | Valve                    | 2       | 36       | 2    | 01-506-0570 | Decal - Traction Pedal              | 2       | 27       | 1    |
| 01-308-0050 | Valve                    | 22      | 30       | 2    | 01-506-0720 | Decal - Turf Sweeper 4800HL         | 19      | 14       | 2    |
| 01-308-0130 | Seal Kit                 | 2       | *        | 1    | 01-506-0980 | Decal - Parking Brake               | 2       | 29       | 1    |
| 01-308-0130 | Seal Kit                 | 22      | *        | 1    | 01-600-0050 | Battery Cable                       | 3       | *        | 1    |
| 01-310-0040 | Fitting                  | 22      | 28       | 1    | 01-600-0050 | Battery Cable                       | 4       | *        | 1    |
| 01-312-0190 | Hose Assembly            | 22      | 33       | 2    | 01-600-0060 | Battery Cable                       | 3       | *        | 1    |
| 01-312-0200 | Hose Assembly            | 22      | 36       | 1    | 01-600-0190 | Battery Cable                       | 4       | *        | 1    |
| 01-312-0280 | Hose Assembly            | 22      | 37       | 2    | 01-650-0140 | All Thread                          | 13      | *        | 2    |
| 01-312-0840 | Hose Assembly            | 22      | 34       | 1    | 01-650-0160 | All Thread                          | 13      | 2        | 2    |
| 01-312-1260 | Hose Assembly            | 22      | 4        | 2    | 01-650-0280 | All Thread                          | 14      | 4        | 1    |
| 01-312-1420 | Hose Assembly            | 23      | 39       | 2    | 01-650-0420 | All Thread                          | 14      | 2        | 2    |
| 01-312-1430 | Hose Assembly            | 23      | 38       | 2    | 02-250-0020 | Rod End Bearing                     | 8       | 6        | 1    |
| 01-312-1710 | Hose Assembly            | 22      | 15       | 1    | 2412-133    | R-Clamp                             | 19      | 23       | 2    |
| 01-314-0020 | Hydraulic Brake Hose     | 16      | 35       | 1    | 321-4       | Capscrew - Hex Hd.                  | 19      | 25       | 2    |
| 01-314-0070 | Brake Line Clip          | 16      | 36       | 1    | 321-6       | Capscrew - Hex Hd.                  | 3       | 14       | 5    |
| 01-314-0290 | Hydraulic Brake Cylinder | 16      | 12       | 1    | 321-6       | Capscrew - Hex Hd.                  | 4       | 14       | 2    |
| 01-314-0300 | Hydraulic Brake Assembly | 16      | 25       | 1    | 32103-3     | Wing Nut                            | 18      | 31       | 1    |
| 01-314-0330 | Hydraulic Brake Line     | 17      | 37       | 1    | 32121-12    | Roll Pin                            | 6       | 14       | 1    |
| 01-314-0340 | Bolt                     | 17      | 39       | 1    | 3217-11     | Hex Nut                             | 12      | 9        | 1    |
| 01-314-0350 | Gasket                   | 17      | 40       | 2    | 3217-11     | Hex Nut                             | 9       | 15       | 3    |
| 01-314-0360 | Connector                | 17      | 38       | 1    |             |                                     |         |          |      |

\* Not Illustrated

# PART NUMBER INDEX (Continued)

| Part No. | Description        | Pg. No. | Ref. No. | Qty. | Part No. | Description        | Pg. No. | Ref. No. | Qty. |
|----------|--------------------|---------|----------|------|----------|--------------------|---------|----------|------|
| 3217-12  | Hex Nut            | 18      | 24       | 2    | 323-6    | Capscrew - Hex Hd. | 1       | 19       | 3    |
| 3217-24  | Hex Nut            | 10      | 14       | 3    | 323-6    | Capscrew - Hex Hd. | 10      | 8        | 2    |
| 3217-26  | Hex Nut            | 3       | 32       | 2    | 323-6    | Capscrew - Hex Hd. | 16      | 19       | 2    |
| 3217-5   | Hex Nut            | 19      | 28       | 2    | 323-6    | Capscrew - Hex Hd. | 3       | 30       | 2    |
| 3217-5   | Hex Nut            | 3       | 17       | 5    | 323-6    | Capscrew - Hex Hd. | 4       | 30       | 2    |
| 3217-6   | Hex Nut            | 16      | 15       | 4    | 323-6    | Capscrew - Hex Hd. | 9       | 8        | 2    |
| 3217-6   | Hex Nut            | 19      | 5        | 8    | 323-7    | Capscrew - Hex Hd. | 19      | 22       | 8    |
| 3217-6   | Hex Nut            | 2       | 35       | 4    | 323-7    | Capscrew - Hex Hd. | 3       | 31       | 2    |
| 3217-6   | Hex Nut            | 21      | 6        | 6    | 323-7    | Capscrew - Hex Hd. | 4       | 31       | 2    |
| 3217-6   | Hex Nut            | 3       | 5        | 4    | 323-7    | Capscrew - Hex Hd. | 5       | 8        | 2    |
| 3217-7   | Hex Nut            | 1       | 11       | 13   | 323-8    | Capscrew - Hex Hd. | 11      | 10       | 2    |
| 3217-7   | Hex Nut            | 10      | 10       | 2    | 323-8    | Capscrew - Hex Hd. | 3       | 9        | 2    |
| 3217-7   | Hex Nut            | 11      | 13       | 2    | 323-8    | Capscrew - Hex Hd. | 4       | 9        | 4    |
| 3217-7   | Hex Nut            | 12      | 12       | 4    | 323-8    | Capscrew - Hex Hd. | 7       | 16       | 1    |
| 3217-7   | Hex Nut            | 13      | 4        | 14   | 323-9    | Capscrew - Hex Hd. | 16      | 2        | 1    |
| 3217-7   | Hex Nut            | 15      | 26       | 7    | 323-9    | Capscrew - Hex Hd. | 18      | 6        | 8    |
| 3217-7   | Hex Nut            | 16      | 6        | 3    | 3230-2   | Carriage Bolt      | 17      | 43       | 1    |
| 3217-7   | Hex Nut            | 19      | 7        | 19   | 3231-10  | Carriage Bolt      | 18      | 11       | 1    |
| 3217-7   | Hex Nut            | 3       | 12       | 2    | 3231-2   | Carriage Bolt      | 19      | 20       | 6    |
| 3217-7   | Hex Nut            | 4       | 12       | 6    | 325-12   | Capscrew - Hex Hd. | 1       | 15       | 8    |
| 3217-7   | Hex Nut            | 5       | 11       | 6    | 325-5    | Capscrew - Hex Hd. | 8       | 5        | 1    |
| 3217-7   | Hex Nut            | 6       | 6        | 4    | 325-6    | Capscrew - Hex Hd. | 15      | 9        | 3    |
| 3217-7   | Hex Nut            | 7       | 19       | 1    | 325-6    | Capscrew - Hex Hd. | 16      | 23       | 2    |
| 3217-7   | Hex Nut            | 8       | 9        | 5    | 325-6    | Capscrew - Hex Hd. | 18      | 2        | 6    |
| 3217-7   | Hex Nut            | 9       | 10       | 2    | 325-7    | Capscrew - Hex Hd. | 11      | 5        | 2    |
| 3217-8   | Hex Nut            | 14      | 5        | 11   | 325-7    | Capscrew - Hex Hd. | 20      | 3        | 2    |
| 3217-8   | Hex Nut            | 16      | 28       | 4    | 325-7    | Capscrew - Hex Hd. | 7       | 6        | 2    |
| 3217-9   | Hex Nut            | 1       | 17       | 8    | 325-8    | Capscrew - Hex Hd. | 20      | 9        | 4    |
| 3217-9   | Hex Nut            | 11      | 8        | 2    | 3253-3   | Lock Washer        | 19      | 27       | 2    |
| 3217-9   | Hex Nut            | 12      | 17       | 3    | 3253-3   | Lock Washer        | 3       | 16       | 5    |
| 3217-9   | Hex Nut            | 15      | 12       | 3    | 3253-3   | Lock Washer        | 4       | 16       | 2    |
| 3217-9   | Hex Nut            | 16      | 9        | 4    | 3253-4   | Lock Washer        | 16      | 14       | 2    |
| 3217-9   | Hex Nut            | 18      | 5        | 6    | 3253-4   | Lock Washer        | 19      | 4        | 8    |
| 3217-9   | Hex Nut            | 20      | 5        | 6    | 3253-4   | Lock Washer        | 2       | 34       | 4    |
| 3217-9   | Hex Nut            | 7       | 9        | 2    | 3253-4   | Lock Washer        | 21      | 5        | 6    |
| 3218-3   | Jam Nut            | 16      | 7        | 1    | 3253-4   | Lock Washer        | 3       | 19       | 4    |
| 3218-3   | Jam Nut            | 9       | 20       | 2    | 3253-4   | Lock Washer        | 4       | 19       | 4    |
| 3218-4   | Jam Nut            | 14      | 7        | 2    | 3253-5   | Lock Washer        | 1       | 8        | 5    |
| 3218-5   | Jam Nut            | 16      | 10       | 3    | 3253-5   | Lock Washer        | 10      | 9        | 2    |
| 3218-5   | Jam Nut            | 20      | 8        | 4    | 3253-5   | Lock Washer        | 11      | 12       | 2    |
| 3218-6   | Jam Nut            | 10      | 6        | 1    | 3253-5   | Lock Washer        | 15      | 19       | 3    |
| 3218-6   | Jam Nut            | 9       | 5        | 1    | 3253-5   | Lock Washer        | 16      | 20       | 2    |
| 3218-7   | Jam Nut            | 18      | 17       | 10   | 3253-5   | Lock Washer        | 18      | 13       | 7    |
| 3219-3   | Hex Nut            | 6       | 9        | 1    | 3253-5   | Lock Washer        | 19      | 6        | 19   |
| 3219-9   | Hex Nut            | 18      | 20       | 9    | 3253-5   | Lock Washer        | 3       | 11       | 8    |
| 322-12   | Capscrew - Hex Hd. | 2       | 32       | 4    | 3253-5   | Lock Washer        | 4       | 11       | 10   |
| 322-3    | Capscrew - Hex Hd. | 19      | 2        | 8    | 3253-5   | Lock Washer        | 5       | 10       | 2    |
| 322-5    | Capscrew - Hex Hd. | 16      | 16       | 1    | 3253-5   | Lock Washer        | 7       | 18       | 1    |
| 322-5    | Capscrew - Hex Hd. | 21      | 4        | 6    | 3253-5   | Lock Washer        | 9       | 9        | 2    |
| 322-6    | Capscrew - Hex Hd. | 16      | 13       | 2    | 3253-6   | Lock Washer        | 14      | 8        | 1    |
| 322-6    | Capscrew - Hex Hd. | 4       | 20       | 4    | 3253-6   | Lock Washer        | 16      | 27       | 4    |
| 322-7    | Capscrew - Hex Hd. | 3       | 20       | 4    | 3253-7   | Lock Washer        | 1       | 16       | 8    |
| 3220-3   | Jam Nut            | 6       | 8        | 2    | 3253-7   | Lock Washer        | 11      | 7        | 2    |
| 3220-3   | Jam Nut            | 8       | 7        | 3    | 3253-7   | Lock Washer        | 15      | 11       | 3    |
| 3220-7   | Jam Nut            | 15      | 7        | 1    | 3253-7   | Lock Washer        | 17      | 41       | 2    |
| 323-10   | Capscrew - Hex Hd. | 1       | 3        | 4    | 3253-7   | Lock Washer        | 18      | 4        | 6    |
| 323-10   | Capscrew - Hex Hd. | 3       | 28       | 2    | 3253-7   | Lock Washer        | 20      | 7        | 6    |
| 323-10   | Capscrew - Hex Hd. | 4       | 28       | 2    | 3253-7   | Lock Washer        | 7       | 8        | 2    |
| 323-11   | Capscrew - Hex Hd. | 15      | 28       | 3    | 3253-7   | Lock Washer        | 8       | 4        | 1    |
| 323-11   | Capscrew - Hex Hd. | 9       | 17       | 1    | 3253-8   | Lock Washer        | 10      | 5        | 1    |

\* Not Illustrated

# PART NUMBER INDEX (Continued)

| Part No.    | Description        | Pg. No. | Ref. No. | Qty. | Part No.    | Description                  | Pg. No. | Ref. No. | Qty. |
|-------------|--------------------|---------|----------|------|-------------|------------------------------|---------|----------|------|
| 3253-8      | Lock Washer        | 12      | 8        | 1    | 48-002-0101 | Breather Cap                 | 22      | 19       | 1    |
| 3253-8      | Lock Washer        | 9       | 4        | 1    | 48-002-5441 | Idler Sprocket Assembly      | 7       | *        | 1    |
| 3256-2      | Flat Washer        | 19      | 26       | 2    | 48-002-5441 | Idler Sprocket Assembly      | 8       | *        | 1    |
| 3256-2      | Flat Washer        | 4       | 15       | 2    | 48-004-1211 | Belt Slip Pin                | 13      | 6        | 2    |
| 3256-2      | Flat Washer        | 6       | 15       | 2    | 48-004-1282 | Steering Yoke Gear           | 15      | 27       | 1    |
| 3256-2      | Flat Washer3       | 15      | 5        |      | 48-004-1711 | Idler Spring Rod             | 12      | 13       | 1    |
| 3256-26     | "SAE" Flat Washer  | 18      | 30       | 8    | 48-004-1751 | Air Deflector                | 1       | 18       | 1    |
| 3256-26     | "SAE" Flat Washer  | 8       | 3        | 1    | 48-004-1861 | Hose Hold Down Bracket       | 14      | 3        | 2    |
| 3256-27     | "SAE" Flat Washer  | 10      | 4        | 1    | 48-004-1931 | Key                          | 7       | 12       | 2    |
| 3256-27     | "SAE" Flat Washer  | 9       | 3        | 1    | 48-004-1961 | Key                          | 15      | 6        | 1    |
| 3256-28     | "SAE" Flat Washer  | 15      | 21       | 1    | 48-004-2101 | Spacer                       | 13      | *        | 2    |
| 3256-3      | Flat Washer        | 19      | 3        | 8    | 48-004-2601 | Spring Rod                   | 6       | 11       | 1    |
| 3256-3      | Flat Washer        | 2       | 33       | 4    | 48-004-3001 | Door Linkage-Upper           | 20      | 2        | 2    |
| 3256-3      | Flat Washer        | 21      | 7        | 4    | 48-004-3052 | Upper Arm                    | 18      | 18       | 2    |
| 3256-3      | Flat Washer        | 3       | 13       | 8    | 48-004-3131 | Pump Support                 | 3       | 29       | 1    |
| 3256-3      | Flat Washer        | 6       | 17       | 2    | 48-004-3131 | Pump Support                 | 4       | 29       | 1    |
| 3256-4      | Flat Washer        | 1       | 9        | 5    | 48-004-3291 | Belt Slip Bracket            | 13      | 1        | 1    |
| 3256-4      | Flat Washer        | 11      | 11       | 2    | 48-004-3431 | Hose Hold Down Bracket       | 1       | 10       | 2    |
| 3256-4      | Flat Washer        | 12      | 14       | 3    | 48-004-3441 | Spacer                       | 18      | 15       | 2    |
| 3256-4      | Flat Washer        | 13      | 5        | 22   | 48-004-3471 | Spacer                       | 12      | 5        | 1    |
| 3256-4      | Flat Washer        | 16      | 3        | 2    | 48-004-3831 | Battery Hold Down            | 5       | 12       | 1    |
| 3256-4      | Flat Washer        | 18      | 12       | 1    | 48-004-3881 | Spacer                       | 8       | 2        | 1    |
| 3256-4      | Flat Washer        | 19      | 11       | 16   | 48-004-3891 | Idler Spring Rod             | 8       | 10       | 1    |
| 3256-4      | Flat Washer        | 3       | 10       | 10   | 48-004-4041 | Reel Chain                   | 7       | 27       | 1    |
| 3256-4      | Flat Washer        | 4       | 10       | 20   | 48-004-4071 | Throttle Outer Sheath        | 3       | *        | 1    |
| 3256-4      | Flat Washer        | 5       | 9        | 12   | 48-004-4081 | Throttle Inner Wire          | 3       | *        | 1    |
| 3256-4      | Flat Washer        | 6       | 3        | 9    | 48-004-4111 | Fuel Line                    | 5       | *        | 1    |
| 3256-4      | Flat Washer        | 7       | 17       | 1    | 48-004-4461 | Hopper Pivot Adj. Bracket-RH | 19      | 29       | 1    |
| 3256-4      | Flat Washer        | 8       | 11       | 3    | 48-004-4641 | Peep Hole Cover              | 19      | 17       | 1    |
| 3256-4      | Flat Washer        | 9       | 19       | 1    | 48-004-4651 | Sector Spacer                | 15      | 16       | 3    |
| 3256-42     | Flat Washer        | 20      | 13       | 2    | 48-004-4831 | Hose Bracket                 | 18      | 22       | 2    |
| 3256-5      | Flat Washer        | 14      | 6        | 8    | 48-004-4921 | Hose Assembly                | 22      | 10       | 1    |
| 3256-5      | Flat Washer        | 8       | 19       | 3    | 48-004-4931 | Hose Assembly                | 22      | 23       | 1    |
| 3256-6      | Flat Washer        | 10      | 12       | 5    | 48-004-5052 | Engine Adaptor               | 3       | 18       | 1    |
| 3256-6      | Flat Washer        | 11      | 6        | 2    | 48-004-5062 | Engine Adaptor               | 4       | 18       | 1    |
| 3256-6      | Flat Washer        | 12      | 18       | 2    | 48-004-5071 | Key                          | 3       | 25       | 1    |
| 3256-6      | Flat Washer        | 15      | 10       | 3    | 48-004-5071 | Key                          | 4       | 25       | 1    |
| 3256-6      | Flat Washer        | 16      | 11       | 6    | 48-004-5131 | PVK80 Rubber                 | 5       | 7        | 2    |
| 3256-6      | Flat Washer        | 18      | 3        | 4    | 48-004-5451 | Hopper Floor Seal            | 19      | 19       | 1    |
| 3256-6      | Flat Washer        | 20      | 4        | 20   | 48-004-5521 | Cessna Pump Spacer           | 3       | 26       | 1    |
| 3256-6      | Flat Washer        | 7       | 7        | 2    | 48-004-5521 | Cessna Pump Spacer           | 4       | 26       | 1    |
| 3256-6      | Flat Washer        | 9       | 12       | 6    | 48-004-5651 | Muffler Guard                | 4       | 3        | 1    |
| 3256-7      | Flat Washer        | 12      | 6        | 3    | 48-004-5841 | Reel Plate Spacer            | 10      | 3        | 1    |
| 327-14      | Capscrew - Hex Hd. | 12      | 4        | 1    | 48-004-5841 | Reel Plate Spacer            | 9       | 2        | 1    |
| 327-6       | Capscrew - Hex Hd. | 10      | 2        | 1    | 48-004-6101 | Hopper Box Spacer            | 20      | 6        | 4    |
| 327-6       | Capscrew - Hex Hd. | 9       | 6        | 1    | 48-004-6161 | Rubber Flap Mount            | 19      | 18       | 1    |
| 3272-11     | Cotter Pin         | 6       | 16       | 2    | 48-004-6191 | Hopper Flap                  | 19      | 21       | 1    |
| 3272-21     | Cotter Pin         | 12      | 3        | 1    | 48-004-6241 | Brake Stop Plate             | 16      | 18       | 1    |
| 3272-23     | Cotter Pin         | 16      | 34       | 1    | 48-004-6261 | Fuel Line                    | 5       | 6        | 1    |
| 3272-23     | Cotter Pin         | 7       | 14       | 3    | 48-004-6271 | Spacer                       | 13      | 3        | 2    |
| 3272-23     | Cotter Pin         | 8       | 17       | 1    | 48-004-6282 | Wet Leaf Deflector           | 19      | 9        | 1    |
| 3272-25     | Cotter Pin         | 15      | 23       | 1    | 48-004-6302 | Air Cleaner Base             | 21      | 2        | 1    |
| 328-23      | Capscrew - Hex Hd. | 18      | 14       | 2    | 48-004-6311 | Hopper Box Spacer            | 20      | 17       | 2    |
| 3296-22     | Lock Nut           | 1       | 5        | 2    | 48-004-6391 | Flywheel Guard               | 4       | 13       | 1    |
| 3296-22     | Lock Nut           | 12      | 11       | 1    | 48-004-6441 | Flywheel Guard               | 3       | 8        | 1    |
| 3296-22     | Lock Nut           | 18      | 27       | 2    | 48-004-6591 | Hopper Pivot Adj. Bracket-LH | 19      | *        | 1    |
| 3296-22     | Lock Nut           | 3       | 35       | 2    | 48-004-6631 | Break Pedal Stop             | 17      | 42       | 1    |
| 3296-22     | Lock Nut           | 4       | 34       | 2    | 48-005-0121 | Spring Tension Adjustment    | 12      | 10       | 1    |
| 3296-48     | Lock Nut           | 8       | 20       | 3    | 48-005-0131 | Front Reel Assembly          | 11      | 2        | 1    |
| 48-002-0071 | Throttle Assembly  | 3       | 7        | 1    | 48-005-0131 | Front Reel Assembly          | 7       | 2        | 1    |

\* Not Illustrated

# PART NUMBER INDEX (Continued)

| Part No.    | Description                 | Pg. No. | Ref. No. | Qty. | Part No.    | Description                 | Pg. No. | Ref. No. | Qty. |
|-------------|-----------------------------|---------|----------|------|-------------|-----------------------------|---------|----------|------|
| 48-005-0162 | Idler Cover                 | 8       | 18       | 1    | 48-005-0602 | High Lift Hopper Door       | 20      | 1        | 1    |
| 48-005-0172 | Reel Plate Assembly-R.H.    | 10      | 1        | 1    | 48-005-0611 | Idler Arm                   | 12      | 1        | 1    |
| 48-005-0172 | Reel Plate Assembly-R.H.    | 11      | 3        | 1    | 48-005-0621 | Foot Pedal                  | 6       | 1        | 1    |
| 48-005-0182 | Reel Plate Assembly-L.H.    | 9       | 1        | 1    | 48-005-0641 | Tow Valve Handle            | 22      | 12       | 1    |
| 48-005-0182 | Reel Plate Assembly, L.H.   | 7       | 4        | 1    | 48-005-0641 | Tow Valve Handle            | 3       | *        | 1    |
| 48-005-0191 | Idler Shaft Assembly        | 8       | 1        | 1    | 48-005-0641 | Tow Valve Handle            | 4       | *        | 1    |
| 48-005-0201 | Rear Reel Assembly          | 11      | 1        | 1    | 48-005-0671 | Brake Pedal                 | 16      | 1        | 1    |
| 48-005-0201 | Rear Reel Assembly          | 7       | 1        | 1    | 48-005-0712 | Gas Tank                    | 5       | 1        | 1    |
| 48-005-0222 | Handle                      | 9       | 16       | 1    | 48-005-0774 | Main Frame                  | 1       | 1        | 1    |
| 48-005-0231 | Reel Lift Rod Assembly-L.H. | 9       | 14       | 1    | 48-005-0781 | Brake Stop Weldment         | 16      | 5        | 1    |
| 48-005-0241 | Pump Control Arm Assembly   | 6       | 10       | 1    | 48-005-0791 | Air Cleaner Mount           | 21      | 3        | 1    |
| 48-005-0292 | Dust Shield Assembly        | 19      | 8        | 1    | 48-005-5781 | Reel Lift Rod Assembly-R.H. | 10      | 11       | 1    |
| 48-005-0322 | Belt Guard                  | 13      | 7        | 1    | 48-005-8231 | Control Rod                 | 6       | 5        | 1    |
| 48-005-0322 | Belt Guard                  | 14      | 1        | 1    | 54-002-0011 | Steering Column Assembly    | 15      | *        | 1    |
| 48-005-0331 | Hopper Door Cyl. Pin-upper  | 20      | 11       | 1    | 54-004-1241 | Brake Shoe Bracket          | 16      | 26       | 1    |
| 48-005-0341 | Hopper Door Cyl. Pin-lower  | 20      | 10       | 1    | 54-004-1501 | Steering Shaft              | 15      | 3        | 1    |
| 48-005-0352 | Main Lift Arm               | 18      | 1        | 1    | 54-004-1701 | Hose                        | 21      | 13       | 1    |
| 48-005-0371 | Lower Pivot Assembly        | 18      | 21       | 2    | 54-005-0242 | Steering Yoke Assembly      | 15      | 13       | 1    |
| 48-005-0381 | Upper Pivot Arm Bracket     | 18      | 19       | 2    | 54-005-0251 | Axle                        | 16      | 22       | 1    |
| 48-005-0432 | Reel Lift Assembly          | 10      | 7        | 1    | 54-005-0261 | Brake Mount                 | 16      | 21       | 1    |
| 48-005-0432 | Reel Lift Assembly          | 9       | 7        | 1    | 54-005-0282 | Front Wheel                 | 16      | 24       | 1    |
| 48-005-0462 | Seat Mount                  | 1       | 2        | 1    | 54-005-1521 | Steering Column Assembly    | 15      | 2        | 1    |
| 48-005-0513 | Hopper                      | 19      | 1        | 1    | 66-004-3211 | Key                         | 11      | 16       | 1    |
| 48-005-0561 | Cylinder Safety Stop        | 18      | 10       | 1    | 74-0720     | Manual Tube                 | 19      | 24       | 1    |
| 48-005-0571 | Cylinder Adj. Pivot         | 18      | 25       | 1    | 82-004-1171 | Key                         | 11      | 19       | 1    |
| 48-005-0591 | Reel Lift Tube Assembly     | 10      | 15       | 3    | 93-004-0511 | Spacer                      | 21      | 12       | 1    |
| 48-005-0591 | Reel Lift Tube Assembly     | 9       | 11       | 1    |             |                             |         |          |      |

\* Not Illustrated

## PRODUCT CHANGES

In an effort to make improvements available to TORO owners as quickly as possible minor changes are incorporated into Toro's products from time to time that do not become immediately shown in the Parts Catalog. If such a change has been made in your unit which is not reflected in your manual see your TORO Distributor or an Authorized Service Dealer for information and part numbers.

## IDENTIFICATION & ORDERING

### MODEL AND NUMBERS

The TURF SWEEPER 4800HL has two identification numbers; a model number and a serial number. The two numbers are stamped on a plate which is located on the seat bracket. In any correspondence concerning the 4800HL, supply model and serial numbers to assure that correct information and replacement parts are obtained.

To order replacement parts from your TORO Distributor or an Authorized Service Dealer, supply the following information:

1. Model and serial number of the 4800HL.
2. Part number description and the quantity of part (s) desired.

NOTE: Do not order by reference number if a parts catalog is being used: use the PART NUMBER.

## TABLE OF CONTENTS

| Description                                  | Page  | Description                                   | Page    |
|--|-------|---|---------|
| Main Frame Assembly .....                    | 1 - 2 | Belt Idler Assembly .....                     | 12      |
| Engine Mounting - Model #44050 .....         | 3     | Belt Slip Bracket .....                       | 13      |
| Engine Mounting - Model #44055 .....         | 4     | Belt Guard & Hose Brackets .....              | 14      |
| Gas Tank & Battery Hol Down .....            | 5     | Steering Assembly .....                       | 15      |
| Foot Pedal & Pump Control Rod Assembly ..... | 6     | Brake System .....                            | 16 - 17 |
| Sweeper Reels & Timing Chain Assembly .....  | 7     | Hopper Lift Arm Assembly .....                | 18      |
| Chain Idler & Guard Assembly .....           | 8     | Hopper Assembly .....                         | 19      |
| Reel Lift Assembly-L.H. ....                 | 9     | Hopper Door Assembly .....                    | 20      |
| Reel Lift Assembly-R.H. ....                 | 10    | Donaldson Air Cleaner - Model No. 44062 ..... | 21      |
| Belt Drive Assembly .....                    | 11    | Hydraulic Schematic - 4800HL .....            | 22 - 23 |
|  |       | Part Number Index .....                       | 24 - 28 |

# NOTES

# NOTES



