



**Count on it.**

**Parts Catalog**

**CM-958H-SED**

**Concrete Mixer**

Model No. 68007—Serial No. 322000001 and Up



# Ordering Replacement Parts

To order replacement parts, please supply the part number, the quantity, and the description of each part desired.

## Understanding Reference Numbers

Each identified part in an illustration has a reference number. The reference number for a part also appears in the parts list, along with other information about the part.

This catalog uses two special reference number formats, one to indicate parts in a service assembly and another to indicate the quantity of a given part in an illustration.

## Service Assembly Reference Numbers

Parts in service assemblies have reference numbers in the form a:b. The a represents the reference number of the entire service assembly and the b represents a sequential number unique to each part within the service assembly.

For example, a wheel assembly might be identified by reference number 6, the tire by 6:1, the valve by 6:2, and the wheel by 6:3. When you order the assembly identified by reference number 6, you receive all parts identified by reference numbers 6:1, 6:2, and 6:3. However, you may also order any part individually. Reference numbers of this type appear in illustration and in parts lists.

## Reference Numbers Indicating Quantity

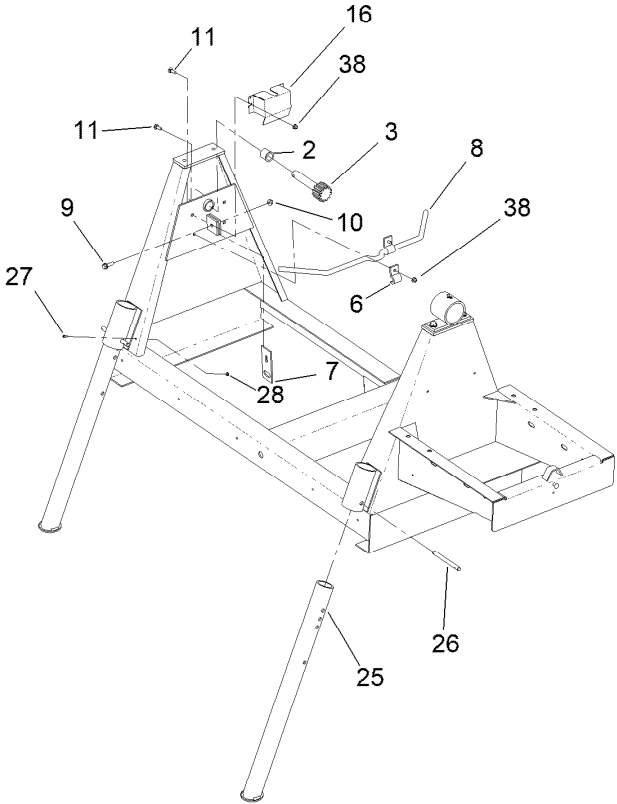
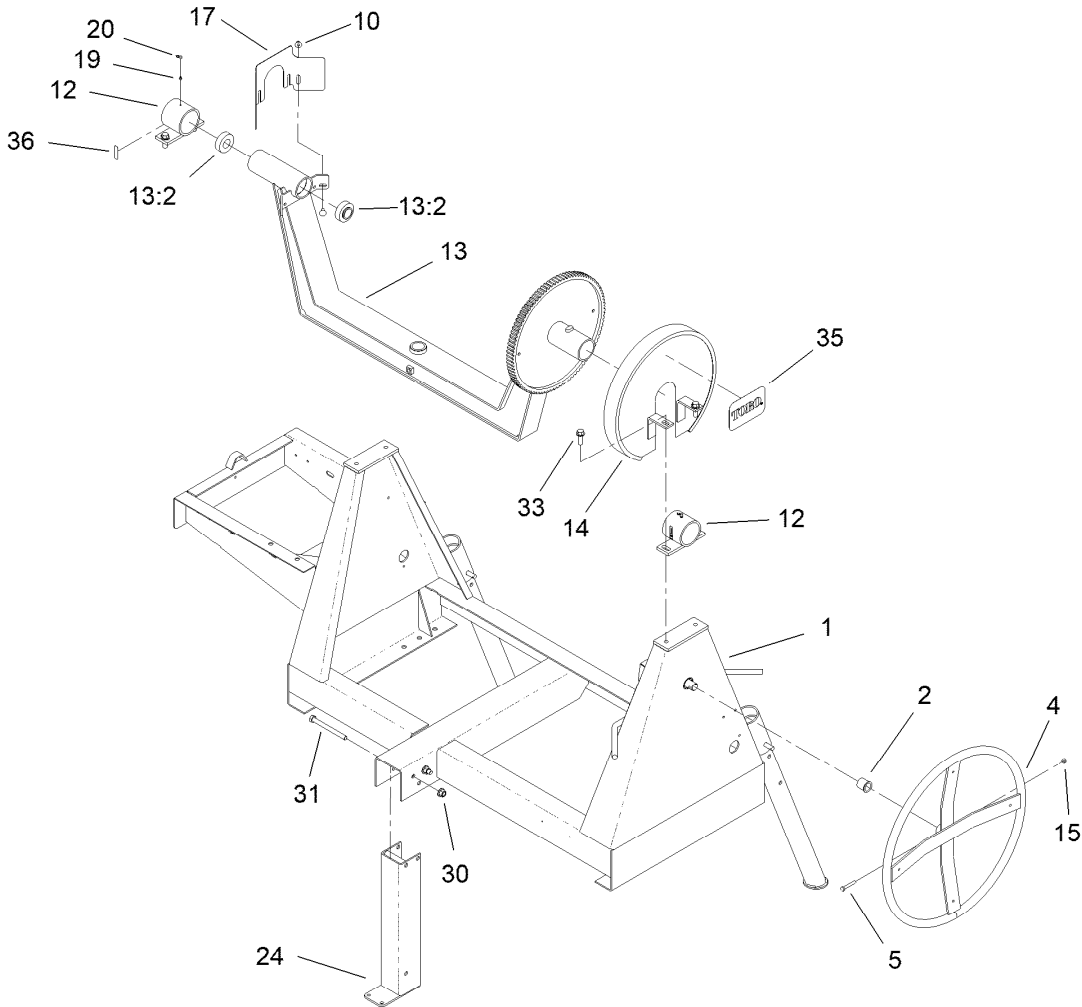
In an illustration, if a reference number indicates more than one part, the reference number has the form nX y. The n represents the quantity of the part, the X is the multiplication symbol, and the y represents the reference number.

For example, in an illustration, the reference number 2X 37 means that two of the parts identified by reference number 37 are indicated.

# Contents

Main Frame Assembly .....	4
Axle Assembly .....	6
Hub Assembly No. 139-1328 .....	8
Engine and Belt Assembly .....	10
Drum Assembly .....	12
Cowl Assembly .....	14
Attachments and Accessories .....	16

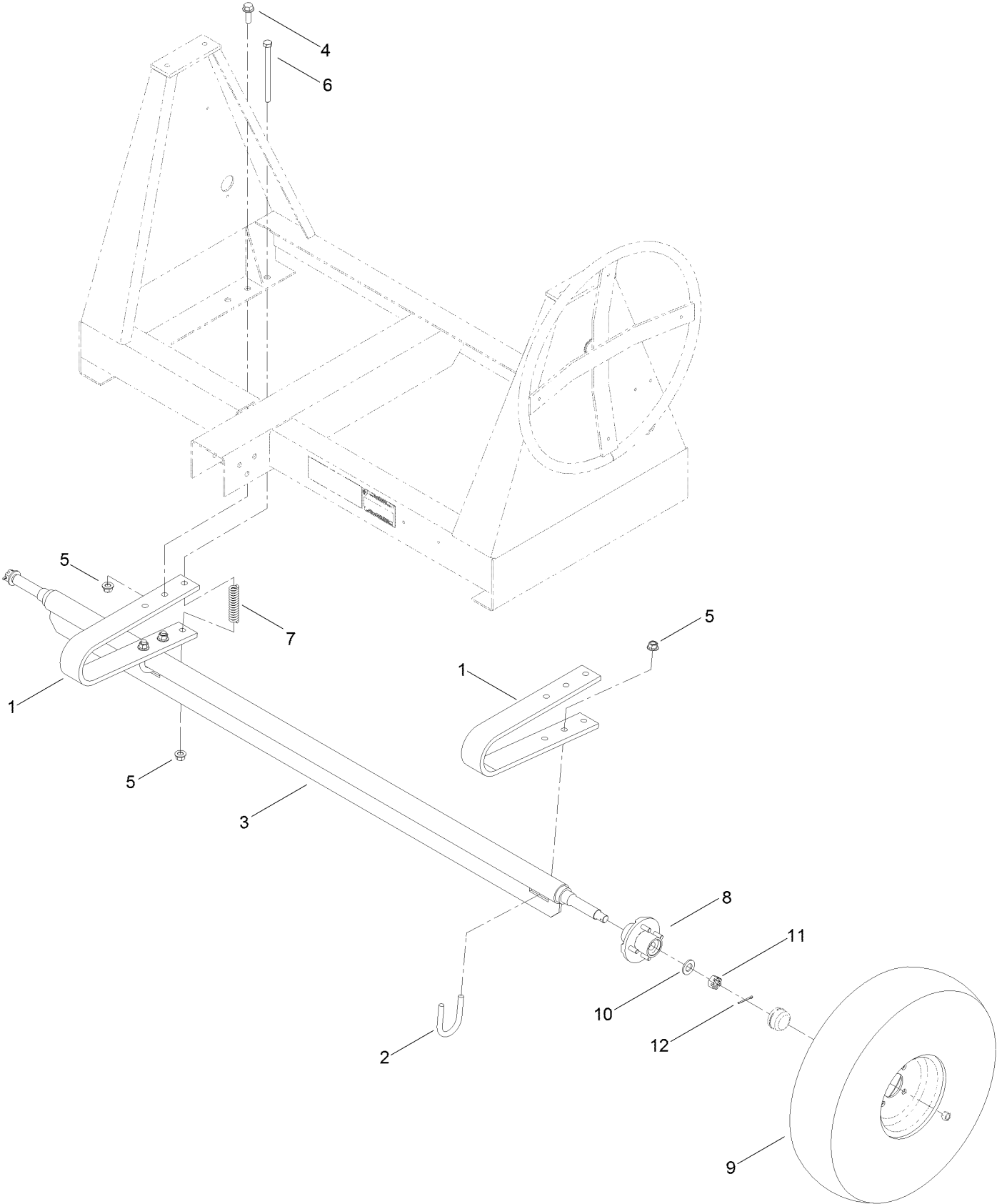
# Main Frame Assembly



## Main Frame Assembly (continued)

<i>Ref.</i>	<i>Part Number</i>	<i>Qty.</i>	<i>Description</i>	<i>Ref.</i>	<i>Part Number</i>	<i>Qty.</i>	<i>Description</i>
1	125-8685-03	1	Frame	16	ST27618-03	1	Guard-Brake, Lower
2	ST32032	2	Bushing-Nylon	17	130-2208-03	1	Guard-Pinion
3	140-5722	1	Shaft-Tilt	19	ST46042	2	Fitting-Grease
4	ST22096-03	1	Handwheel	20	ST47001	2	Cap-Plug
5	322-10	1	Screw-HH	24	ST21875-03	1	Post-Foot
6	ST27559-03	2	Bracket-Handle	25	ST21874-03	2	Leg-Stabilizer
7	ST27619-03	1	Dog-Brake	26	ST80039	2	Pin-Clevis, Lanyard
8	127-5593	1	Handle-Brake	27	3290-500	2	Screw-PPH
9	3234-24	1	Screw-HHF	28	3296-2	2	Nut-Lock, NI
10	104-8301	3	Nut-HF, NI	30	99-5107	2	Nut-Lock
11	3230-2	4	Bolt-CARR	31	325-22	2	Screw-HH
12	ST24349-03	2	Trunnion	33	ST80031	4	Screw-HWH
13	125-6308	1	Yoke ASM	35	99-4693	1	Decal
13:2	ST32039	2	Bearing	36	125-8175	2	Decal-Grease
14	ST27617-03	1	Guard-Brake, Upper	38	104-8300	4	Nut-HF, NI
15	3296-29	1	Nut-Lock, NI				

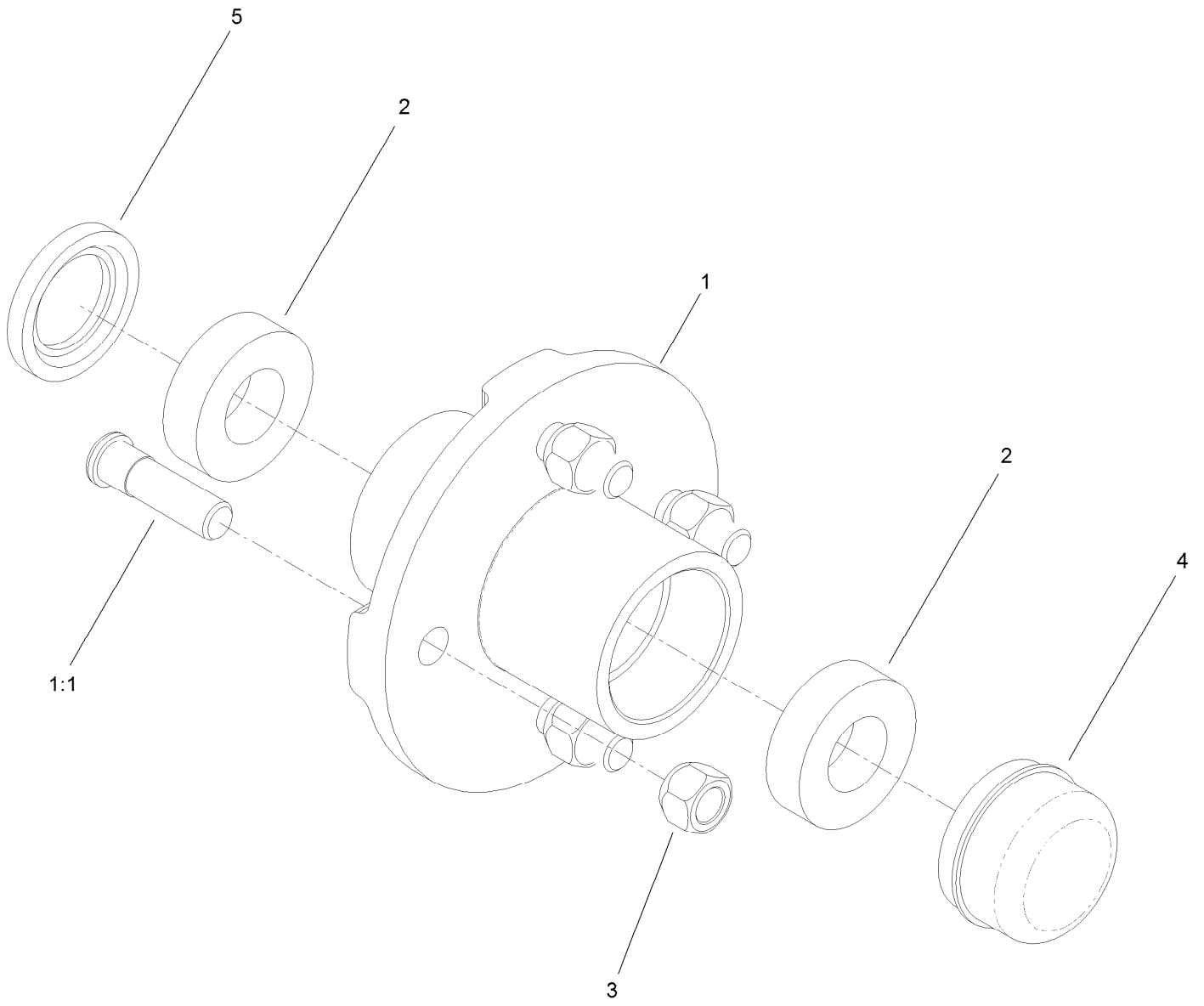
# Axle Assembly



## Axle Assembly (continued)

<i>Ref.</i>	<i>Part Number</i>	<i>Qty.</i>	<i>Description</i>	<i>Ref.</i>	<i>Part Number</i>	<i>Qty.</i>	<i>Description</i>
1	ST26971	2	Spring-Leaf	7	ST34972	2	Spring-Coil
2	ST26195	2	Bolt-U	8	139-1328	2	Hub ASM
3	ST21873-03	1	Axle-Spring	9	ST32307	2	Tire And Rim ASM
4	100-6116	4	Screw-HHF	10	3256-28	2	Washer-Flat
5	99-5107	10	Nut-Lock	11	ST80054	2	Nut
6	325-33	2	Screw-HH	12	3272-13	2	Pin-Cotter

# Hub Assembly No. 139-1328



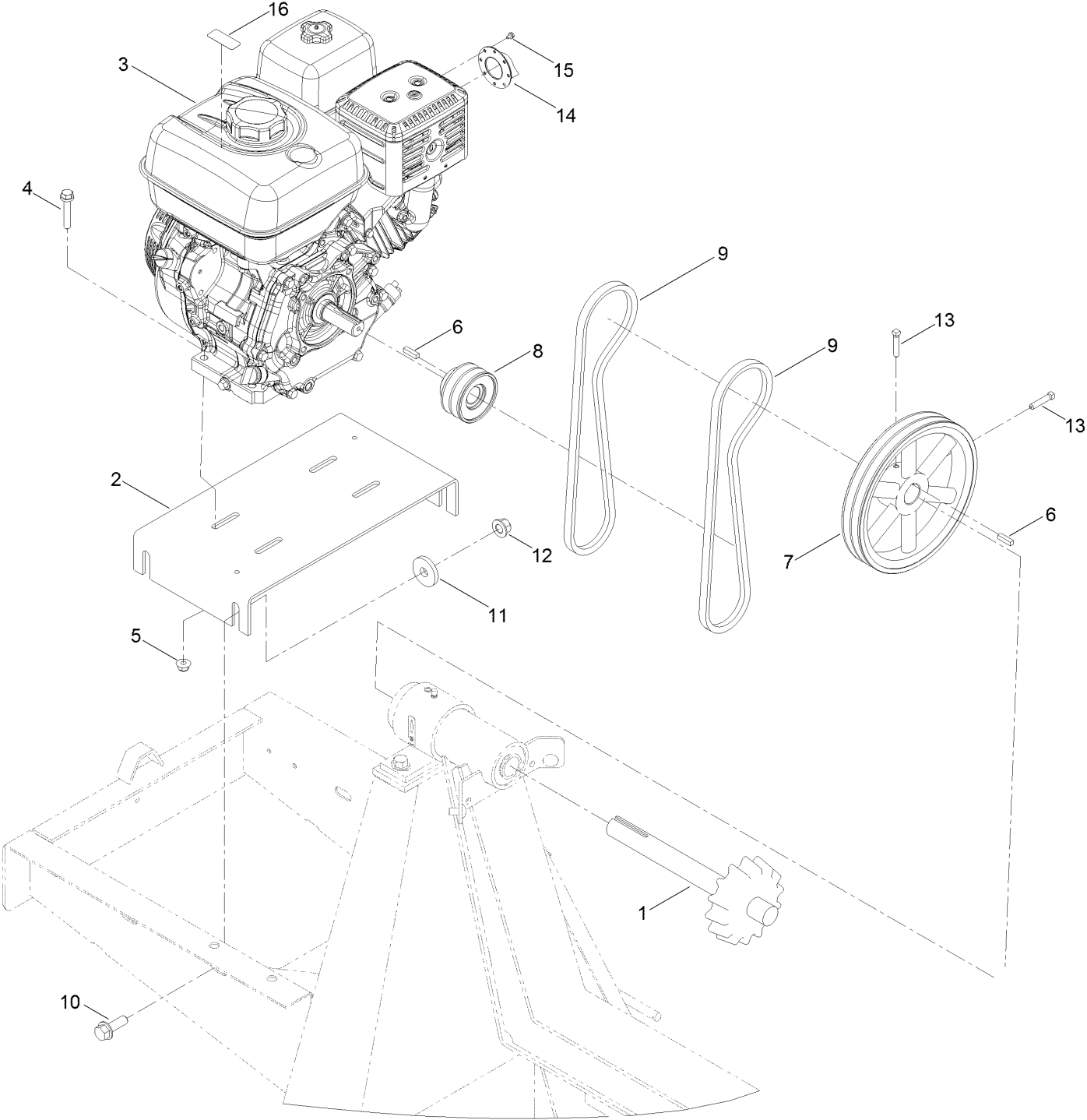


## Hub Assembly No. 139-1328 (continued)

<i>Ref.</i>	<i>Part Number</i>	<i>Qty.</i>	<i>Description</i>
1	139-1327	1	Hub-4In
1:1	ST39190	4	Stud-Wheel
2	ST32233	2	Bearing-Roller

<i>Ref.</i>	<i>Part Number</i>	<i>Qty.</i>	<i>Description</i>
3	ST80045	4	Nut-Lug
4	ST34573	1	Cap-Dust
5	ST32052	1	Seal-Hub, Wheel

# Engine and Belt Assembly

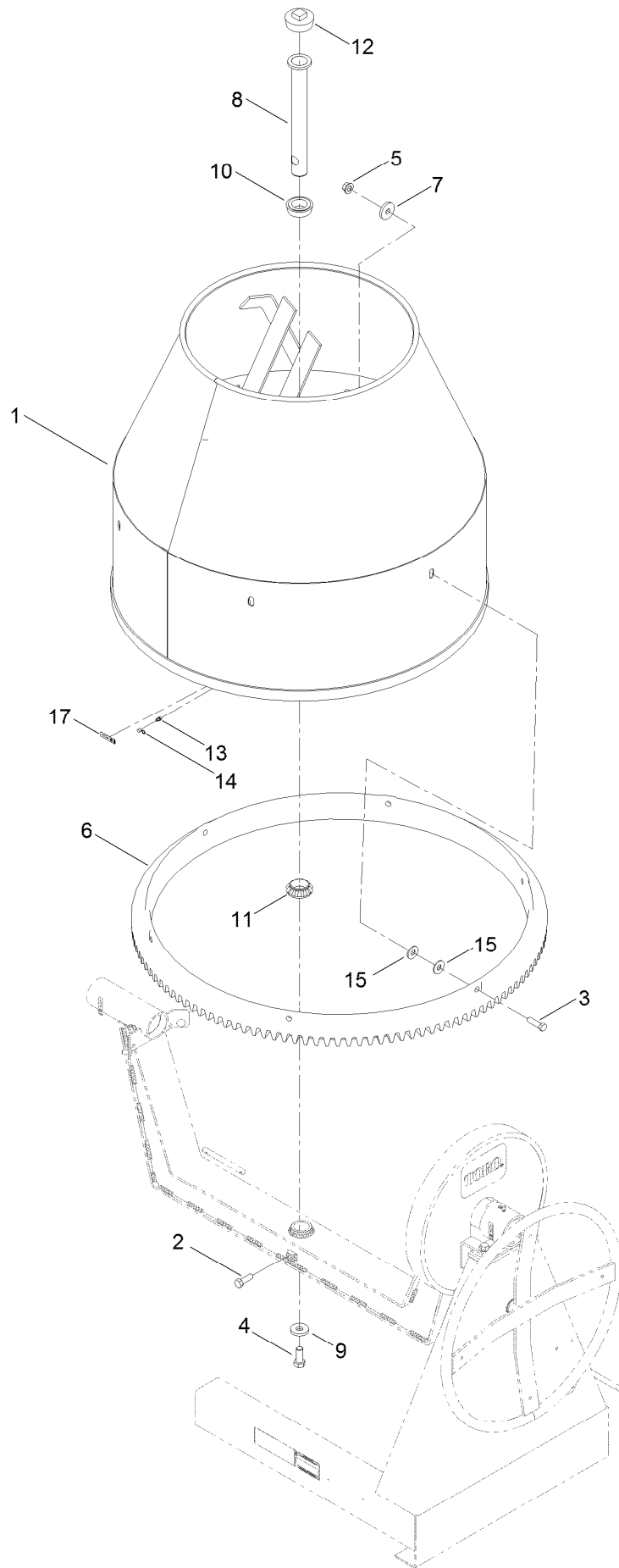


## Engine and Belt Assembly (continued)

<i>Ref.</i>	<i>Part Number</i>	<i>Qty.</i>	<i>Description</i>	<i>Ref.</i>	<i>Part Number</i>	<i>Qty.</i>	<i>Description</i>
1	ST21487	1	Shaft-Drive	9	127-0075	2	Belt-V
2	127-7579-03	1	Base-Engine, 95Cm	10	100-6116	4	Screw-HHF
3	125-4812	1	Engine-Honda, Gx240 ●	11	ST26326	4	Washer-Flat
4	108-3742	4	Screw-HHF	12	99-5107	4	Nut-Lock
5	104-8301	4	Nut-HF, NI	13	909546	2	Screw-Set
6	5-7280	2	Key	14	120-1886	1	Deflector-Exhaust, Honda
7	ST34986-03	1	Sheave	15	127-7578	3	Screw-HWH
8	ST34984	1	Sheave	16	130-8322	1	Decal-Warning, Ethanol

● Obtain parts from [www.honda-engines.com](http://www.honda-engines.com)

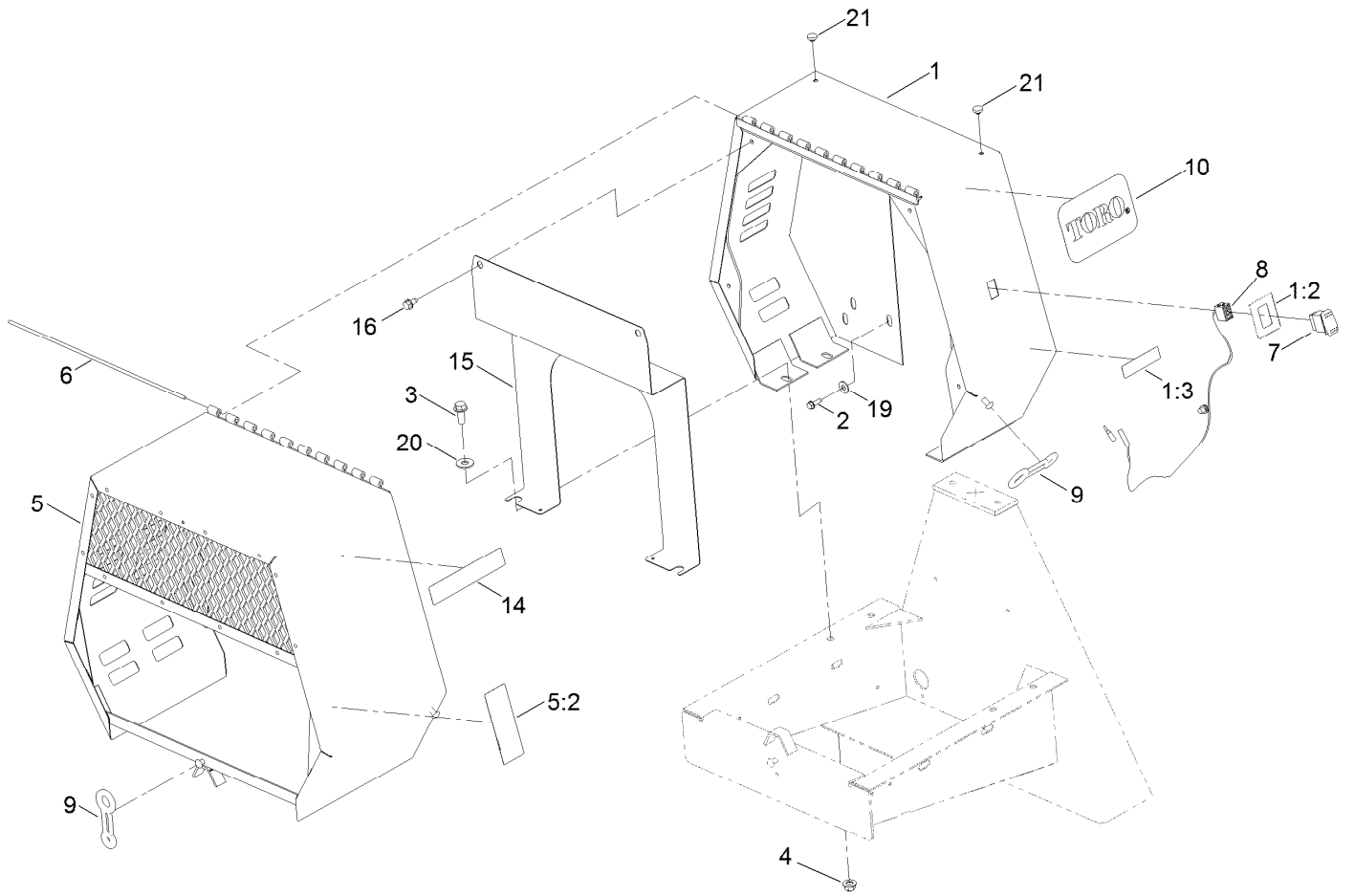
# Drum Assembly



## Drum Assembly (continued)

<i>Ref.</i>	<i>Part Number</i>	<i>Qty.</i>	<i>Description</i>	<i>Ref.</i>	<i>Part Number</i>	<i>Qty.</i>	<i>Description</i>
1	125-6306-01	1	Drum	9	ST27413	1	Washer-Flat
2	325-6	1	Screw-HH	10	ST32086	1	Bearing
3	325-7	6	Screw-HH	11	ST32161	1	Bearing-Roller
4	327-4	1	Screw-HH	12	ST46022	1	Plug
5	99-5107	6	Nut-Lock	13	ST46057	1	Fitting
6	ST26317-01	1	Gear-Ring	14	ST47001	1	Cap-Plug
7	ST26326	6	Washer-Flat	15	3256-6	12	Washer-Flat
8	ST27267	1	Spindle	17	125-8175	1	Decal-Grease

# Cowl Assembly



## Cowl Assembly (continued)

<i>Ref.</i>	<i>Part Number</i>	<i>Qty.</i>	<i>Description</i>	<i>Ref.</i>	<i>Part Number</i>	<i>Qty.</i>	<i>Description</i>
1	127-2811	1	Stationary Cowl ASM	8	125-4877	1	Harness-Wire, Mixer
1:2	125-4940	1	Decal-Stop, Engine	9	ST47182	3	Latch-Rubber
1:3	133-8062	1	Decal-Arrestor, Spark	10	67-7320	2	Decal
2	701243	2	Screw-Thd Roll, HWH	14	125-4937	2	Decal
3	3234-38	4	Screw-HHF	15	125-8218-03	1	Plate-Engine
4	99-5107	4	Nut-Lock	16	110-9380	2	Screw-HWH
5	127-1685	1	Movable Cowl ASM	19	3256-4	2	Washer-Flat
5:2	125-4939	1	Decal-Warning	20	3256-6	2	Washer-Flat
6	ST44368	1	Pin	21	1-513658	2	Bumper
7	95-8999	1	Switch				

# Attachments and Accessories

## For 68007 CM-958H-SED Concrete Mixer

<b>Product Name</b>	<b>Model/Part</b>
Trailer Light Kit.....	68063
Pintle Tow Pole Hitch, End-Dump Concrete Mixer .....	68130
Stamped Tow Pole Hitch, End-Dump Concrete Mixer .....	68131
1in Pin Tow Pole Hitch, End-Dump Concrete Mixer .....	68132



**Notes:**

**Notes:**

**Notes:**



**Count on it.**