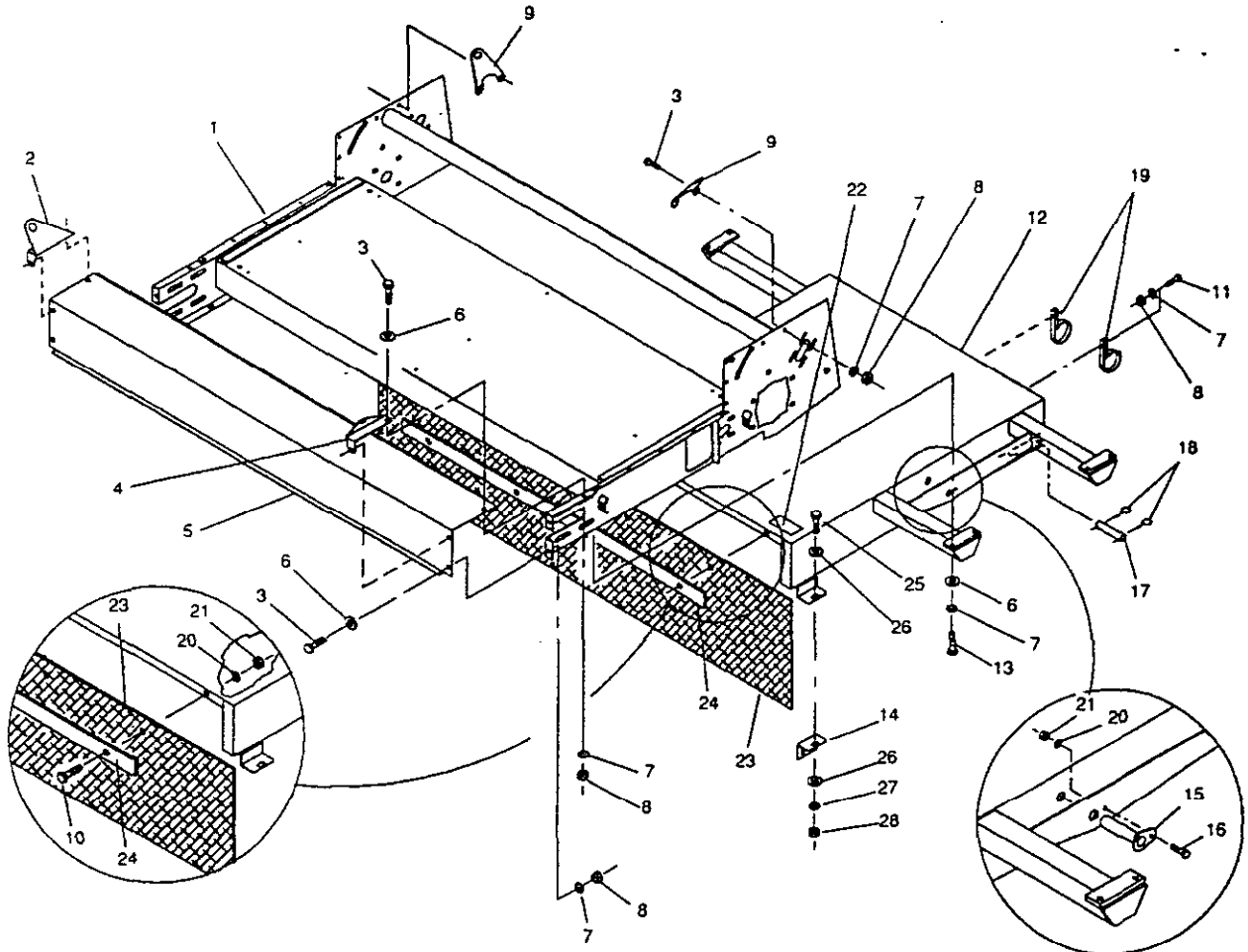




MODEL NO. 44220 - 30001 & UP

**PARTS
CATALOG**
TOPDRESSER 1800

ATTACHMENT FOR WORKMAN™ 3000 SERIES


BASE & FRAME ASSEMBLY

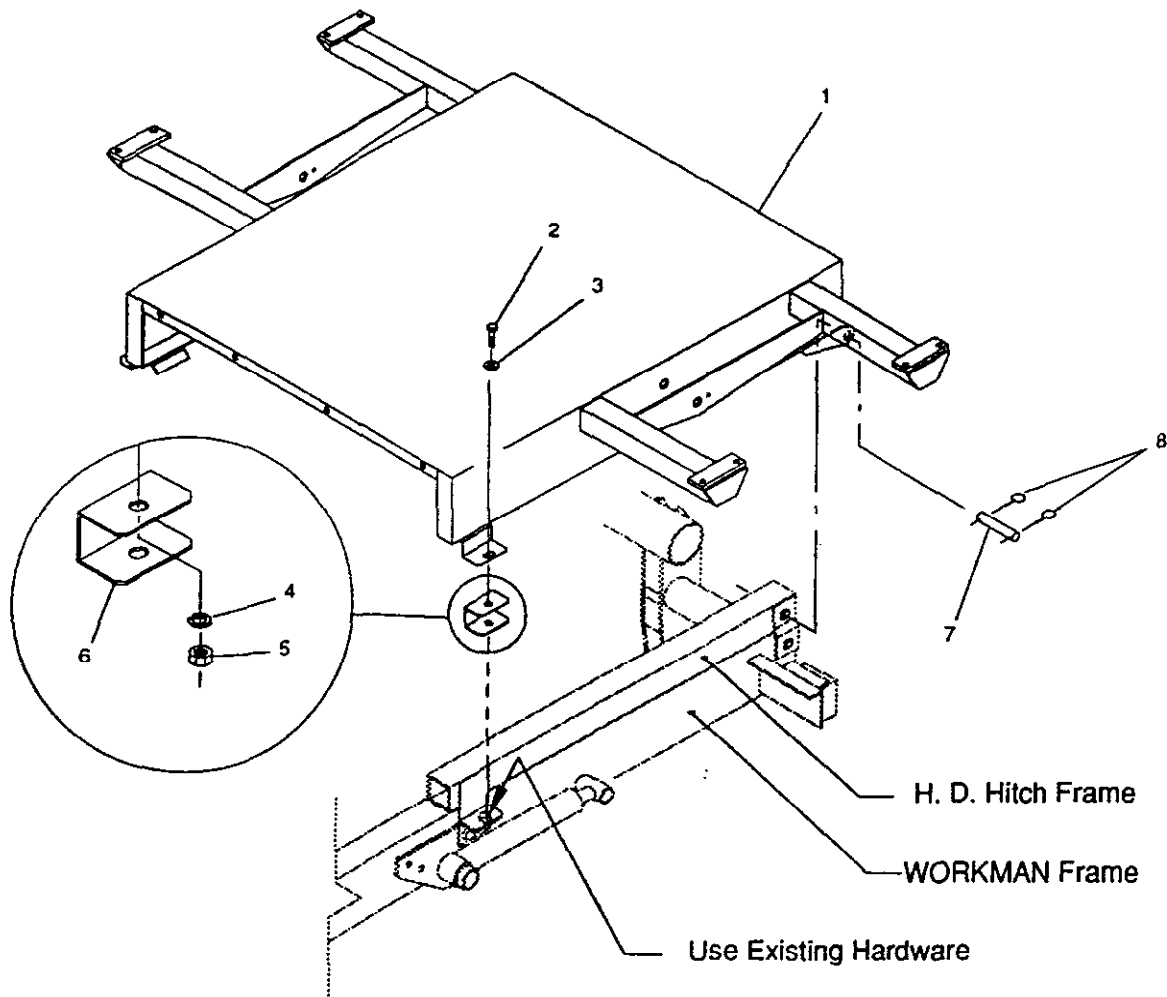
1800-003

Ref. No.	Part No.	Description	No. Used
1	92-4350	Frame - Topdresser	1
2	92-4364	Bracket - RH Front Lift	1
3	323-6	Capscrew - Hex Hd.	10
4	92-4363	Bracket - LH Front Lift	1
5	92-4316	End - Frame	1
6	3256-4	Flat Washer	14
7	3253-5	Lock Washer	20
8	3217-7	Hex Nut	12
9	92-4362	Bracket - Rear Lift	2
10	321-6	Capscrew - Hex Hd.	4
11	323-4	Capscrew - Hex Hd.	2
12	92-4351	Base Mounting	1
13	323-7	Capscrew - Hex Hd.	8
14	92-2667	Bracket - Attachment Mount	2

Ref. No.	Part No.	Description	No. Used
15	92-4459	Pin - Cylinder	2
16	321-4	Capscrew - Hex Hd.	2
17	92-1233	Pin - Clevis	2
18	92-1298	Pin - Lynch	4
19	92-4372	Hose Retainer	2
20	3253-3	Lock Washer	6
21	3217-5	Hex Nut	6
22	01-506-0430	Decal - Replacement Manual	1
23	92-4491	Cover - Rubber	1
24	92-4492	Clamp - Rubber	1
25	325-5	Capscrew - Hex Hd.	2
26	3256-6	Flat Washer	4
27	3253-7	Lock Washer	2
28	3217-9	Hex Nut	2

© The TORO Company - 1994

All Rights Reserved



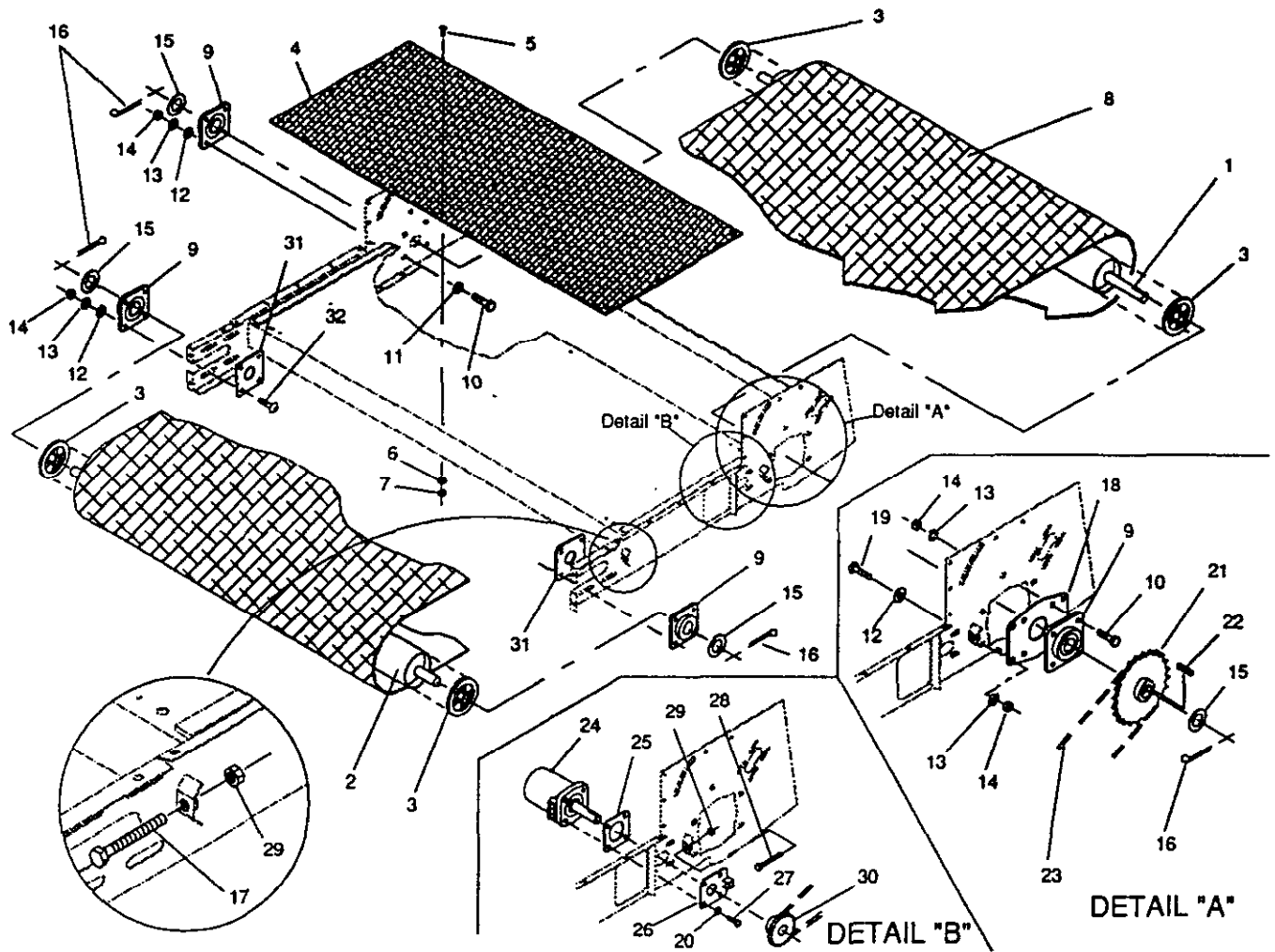
BASE MOUNTING

For Units w/H.D. Hitch Frame

1800-010

Ref. No.	Part No.	Description	No. Used
1	92-4351	Base Mounting	1
2	325-5	Capscrew - Hex Hd.	2
3	3256-6	Flat Washer	2
4	3253-7	Lock Washer	2

Ref. No.	Part No.	Description	No. Used
5	3217-9	Hex Nut	2
6	92-4576	Spacer - Mount	2
7	92-1233	Pin - Clevis	2
8	92-1298	Pin - Lynch	4



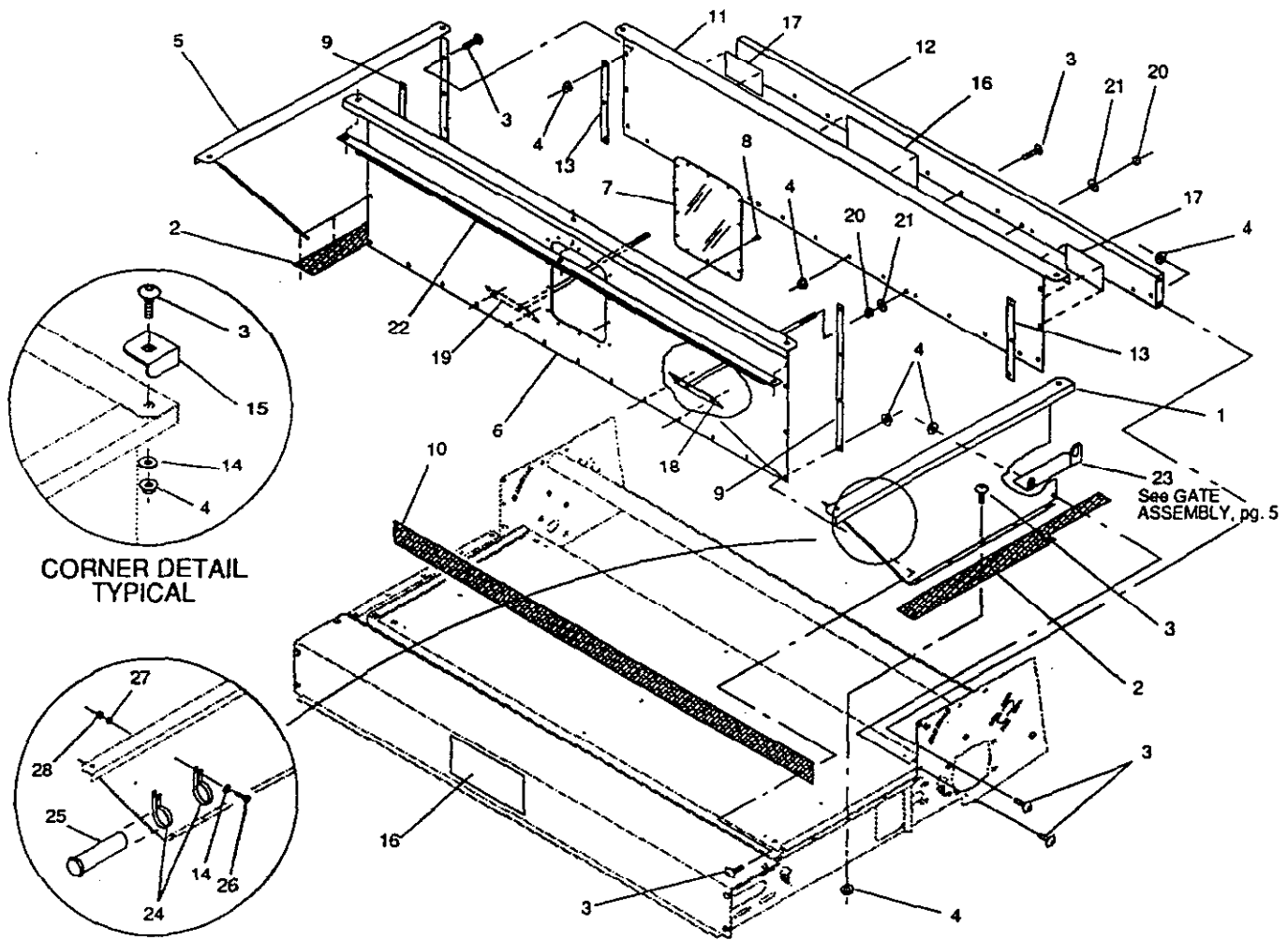
ROLLER ASSEMBLY

1800-001

Ref. No.	Part No.	Description	No. Used
1	92-4354	Roller - Drive	1
2	92-4355	Roller - Idler	1
3	01-260-1790	Sheave	4
4	92-4305	Top - Slide Bed	1
5	01-158-0280	Truss Head Machine Screw	9
6	3253-2	Lock Washer	9
7	3217-26	Hex Nut	9
8	01-271-0390	Belt - Conveyor	1
*	92-4455	Pin - Lacing	1
9	01-100-0180	Bearing	4
10	325-6	Capscrew - Hex Hd.	8
11	3256-6	Flat Washer	4
12	3256-26	"SAE" Flat Washer	16
13	3253-7	Lock Washer	20
14	3217-9	Hex Nut	20
15	01-168-2010	Machinery Bushing	4
16	3272-25	Cotter Pin	4
17	01-182-0624	Capscrew - Hex Hd.	2

Ref. No.	Part No.	Description	No. Used
18	92-4302	Plate - Roller	1
19	325-4	Capscrew - Hex Hd.	4
20	3253-5	Lock Washer	4
21	01-262-0960	Sprocket - Drive Roller	1
22	56-004-2401	Key - Sq.	1
23	92-4370	Chain - Drive	1
*	01-251-0020	#50 Half Link	1
24	92-4343	Motor - Hydraulic/Conveyor	1
*	01-305-1020	Seal Kit	1
25	92-4322	Spacer - Hydraulic Motor	1
26	92-4353	Plate - Motor Adjustment	1
27	323-6	Capscrew - Hex Hd.	4
28	01-182-0616	Capscrew - Hex Hd.	1
29	3217-7	Hex Nut	2
30	01-262-0050	Sprocket - Conveyor Motor	1
31	92-4575	Plate - Bearing	2
32	01-158-1740	Carriage Bolt	8

* Not Illustrated



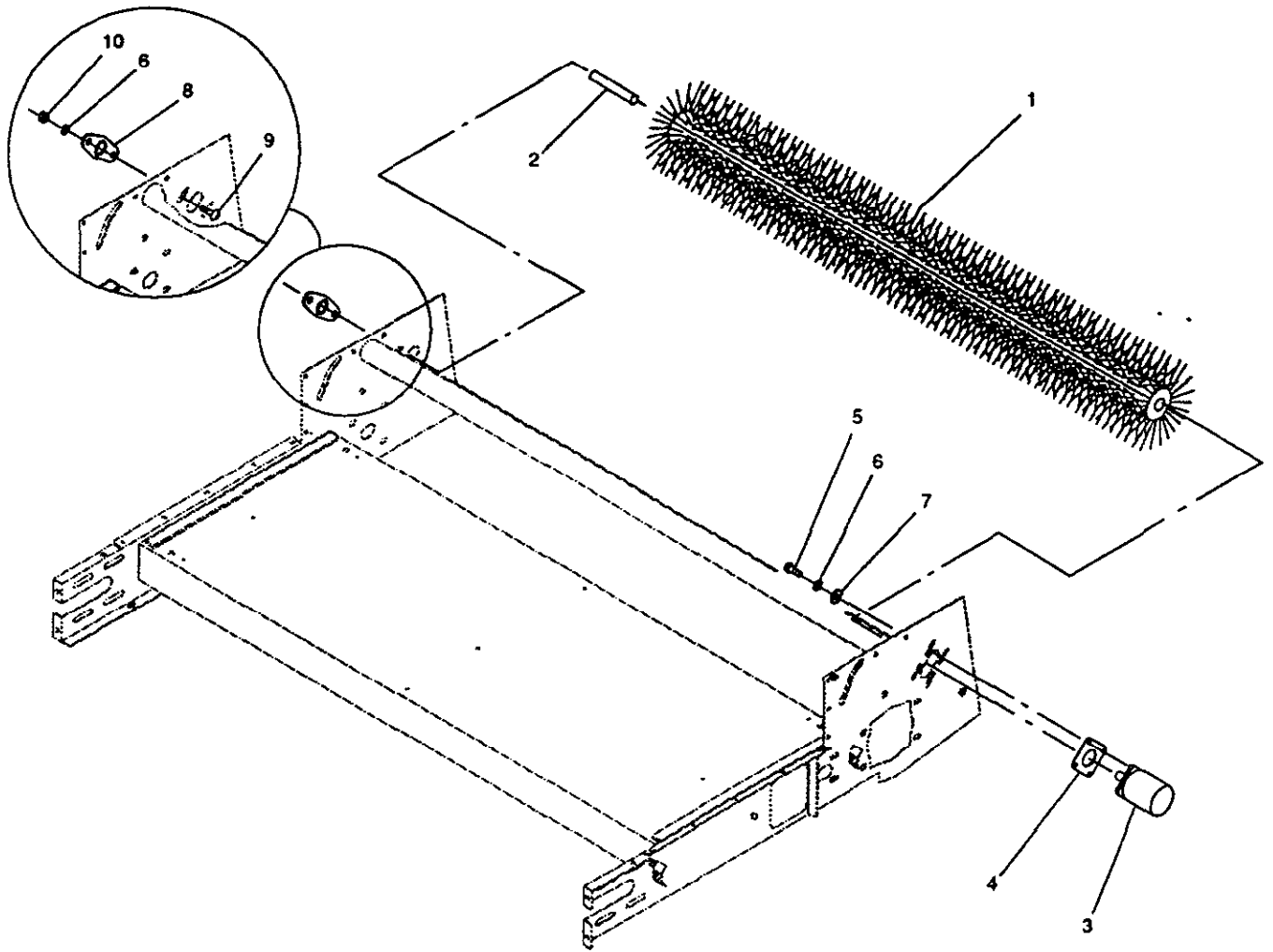
HOPPER ASSEMBLY

1800-002

Ref. No.	Part No.	Description	No. Used
1	92-4318	Hopper Side - LH	1
2	92-4297	Skirt - Side	2
3	3229-11	Carriage Bolt	59
4	32128-33	Lock Nut - Flange	59
5	92-4319	Hopper Side - RH	1
6	92-4320	Hopper Front	1
7	23-004-0981	Hopper Window	1
8	01-161-0040	Pop Rivet	14
9	92-4346	Strip - Corner Hopper	2
10	92-4298	Skirt - Front	1
11	92-4321	Hopper Back	1
12	92-4359	Brace - Hopper	1
13	92-4347	Strip - Hopper Back	2
14	3256-2	Flat Washer	6
15	23-005-0961	Corner Guard	4
16	01-506-0500	Decal - Toro	2
17	92-4368	Decal - Warning	2

Ref. No.	Part No.	Description	No. Used
18	92-4463	Support - Hopper LH	1
19	92-4464	Support - Hopper RH	1
20	3217-7	Hex Nut	4
21	3256-4	Flat Washer	4
22	92-4493	Brace - Hopper Front	1
23	92-4518	Skirt - Left Side	1
*	92-4517	Skirt - Right Side	1
24	2412-133	R-Clamp	2
25	74-0720	Manual Tube	1
26	321-4	Capscrew - Hex Hd.	2
27	3253-3	Lock Washer	2
28	3217-5	Hex Nut	2
*	92-4510	Hopper Front Assembly (Incl. Ref # 6 - 8)	1

* Not Illustrated



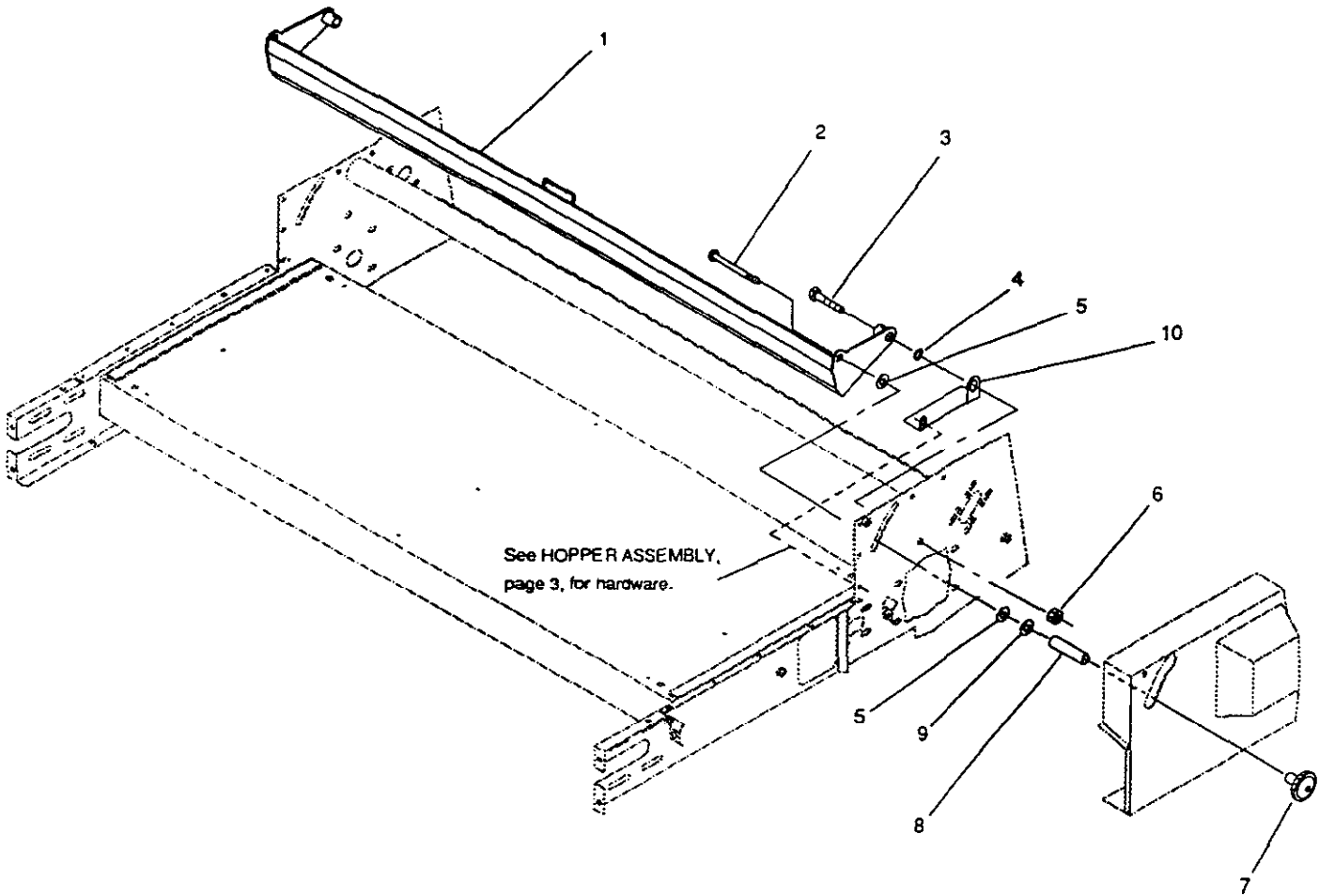
BRUSH ASSEMBLY

1800-004

Ref. No.	Part No.	Description	No. Used
1	01-286-0440	Brush	1
2	23-004-0831	Brush Shaft	1
3	92-4344	Motor - Hydraulic/Brush	1
*	01-305-1030	Seal Kit	1
4	92-4322	Spacer - Hydraulic Motor	1
5	323-6	Capscrew - Hex Hd.	4

Ref. No.	Part No.	Description	No. Used
6	3253-5	Lock Washer	6
7	3256-4	Flat Washer	4
8	01-100-0160	Bearing	1
9	3231-2	Carriage Bolt	2
10	3217-7	Hex Nut	2

* Not Illustrated



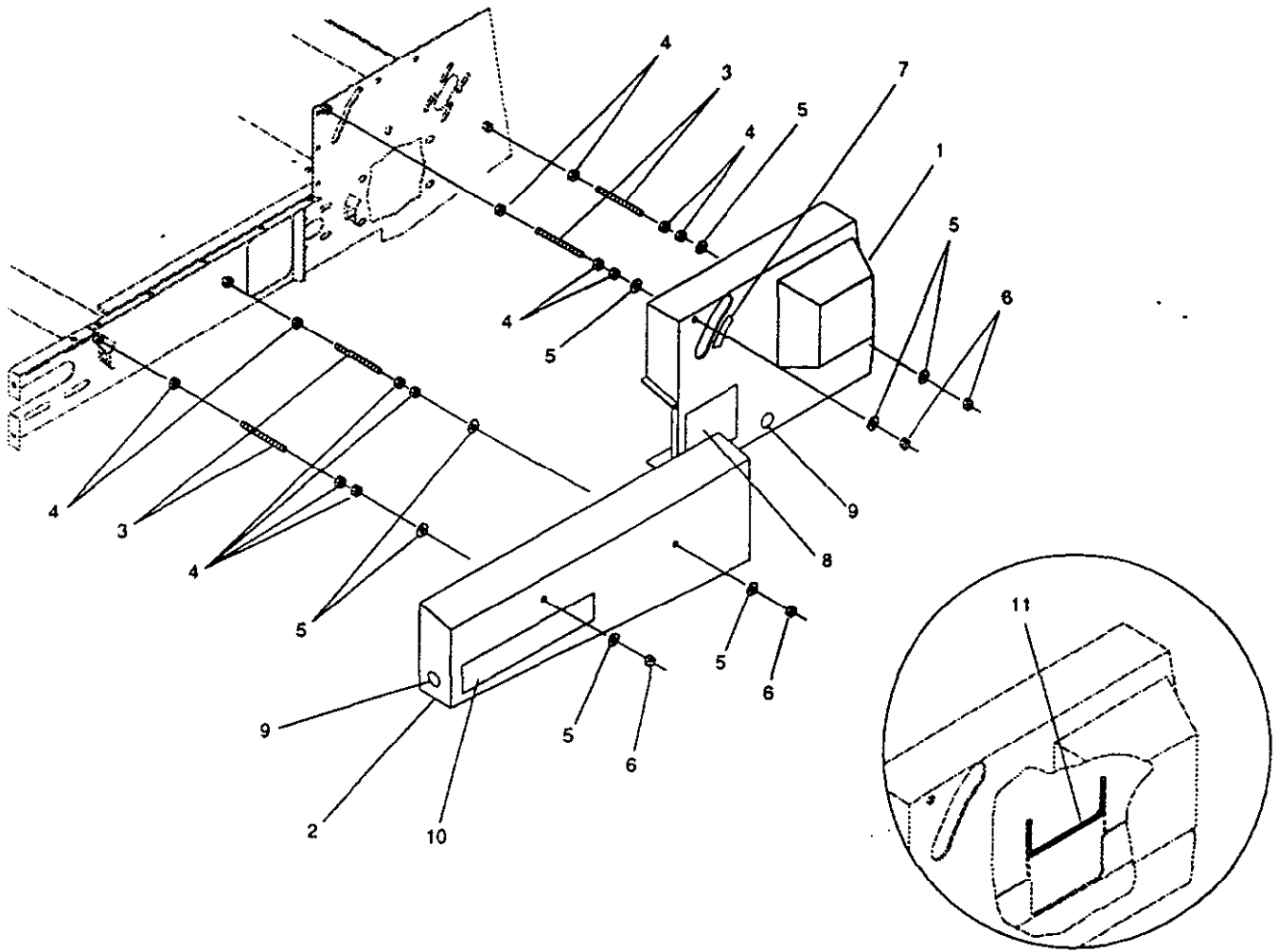
GATE ASSEMBLY

1800-005

Ref. No.	Part No.	Description	No. Used
1	92-4352	Gate	1
2	3233-7	Carriage Bolt	2
3	01-178-1218	Cap screw - Hex Hd.	2
4	92-4330	Washer - Pivot	2
5	23-004-0721	Washer-UHMW	4
6	01-189-1210	Lock Nut	2

Ref. No.	Part No.	Description	No. Used
7	01-256-0200	Knob - Gate	2
8	92-4371	Tube - Gate Adjustment	2
9	3256-6	Flat Washer	2
10	92-4518	Skirt - Left Side	1
*	92-4517	Skirt - Right Side	1

* Not Illustrated

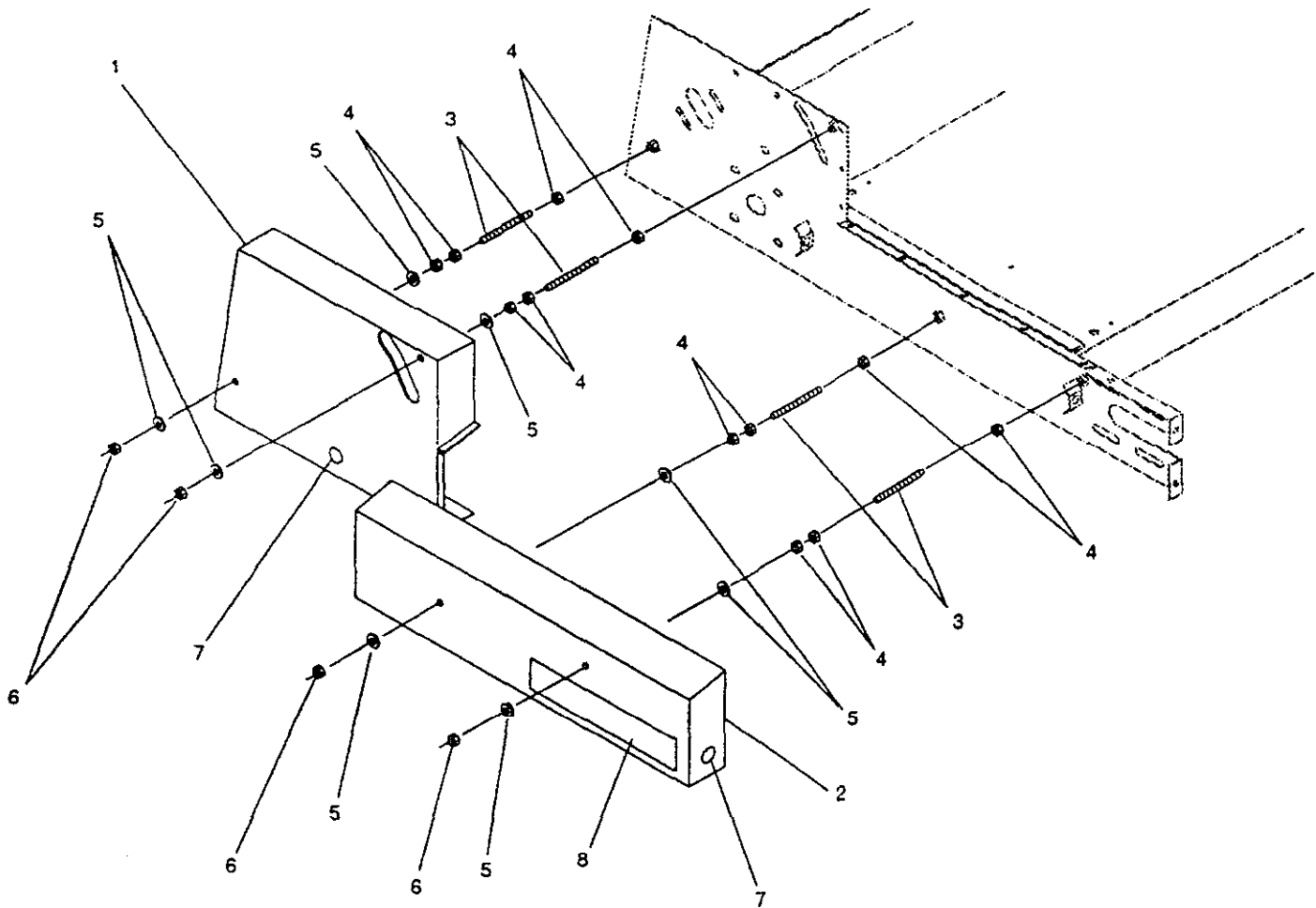


LEFT HAND GUARD ASSEMBLY

1800-008

Ref. No.	Part No.	Description	No. Used
1	92-4572	Guard - Chain (LH Side)	1
2	92-4573	Guard - LH Side	1
3	01-650-0080	All Thread	4
4	3217-7	Hex Nut	12
5	3256-4	Flat Washer	8
6	32146-2	Lock Nut w/nylon	4

Ref. No.	Part No.	Description	No. Used
7	92-4443	Decal - Gauge	1
8	01-506-0050	Decal - Danger	1
9	01-506-0550	Decal - Grease	2
10	01-506-1180	Decal - Topdresser 1800	1
11	92-4574	Cover - Edge	1

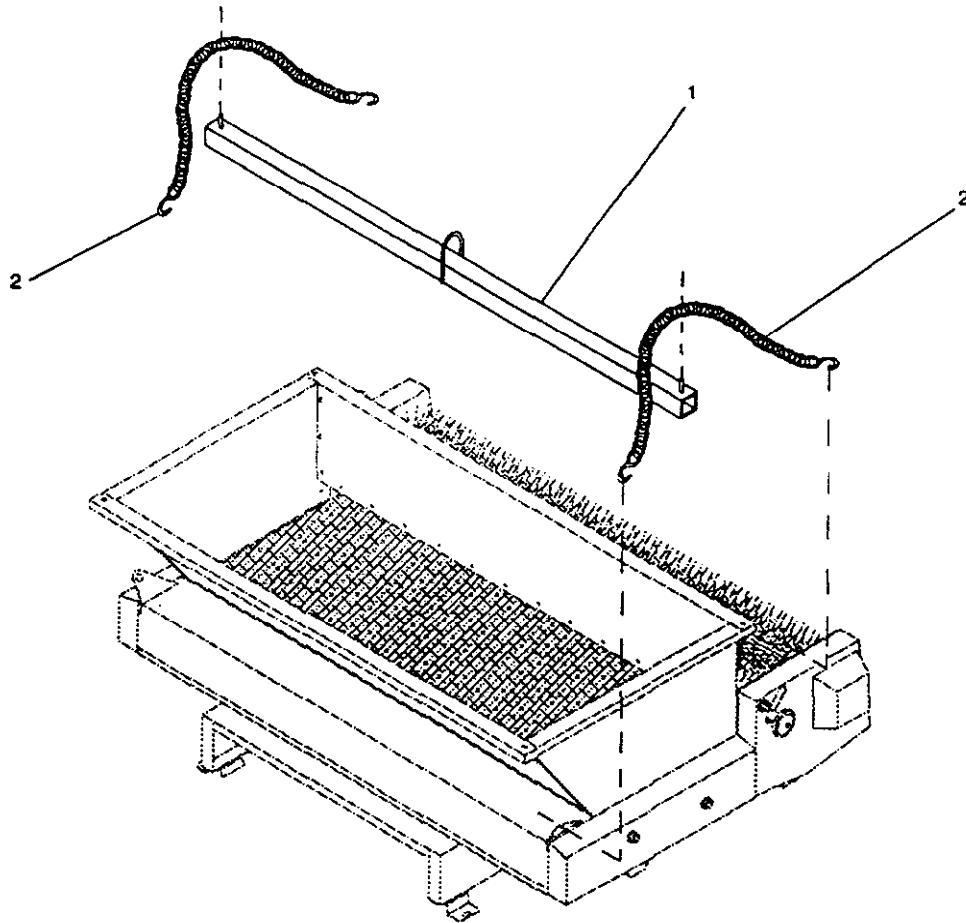


RIGHT HAND GUARD ASSEMBLY

1800-009

Ref. No.	Part No.	Description	No. Used
1	92-4357	Guard-RH Rear	1
2	92-4361	Guard - RH Side	1
3	01-650-0050	All Thread	4
4	3217-7	Hex Nut	12

Ref. No.	Part No.	Description	No. Used
5	3256-4	Flat Washer	8
6	32146-2	Lock Nut w/nylon	4
7	01-506-0550	Decal - Grease	2
8	01-506-1180	Decal - Topdresser 1800	1

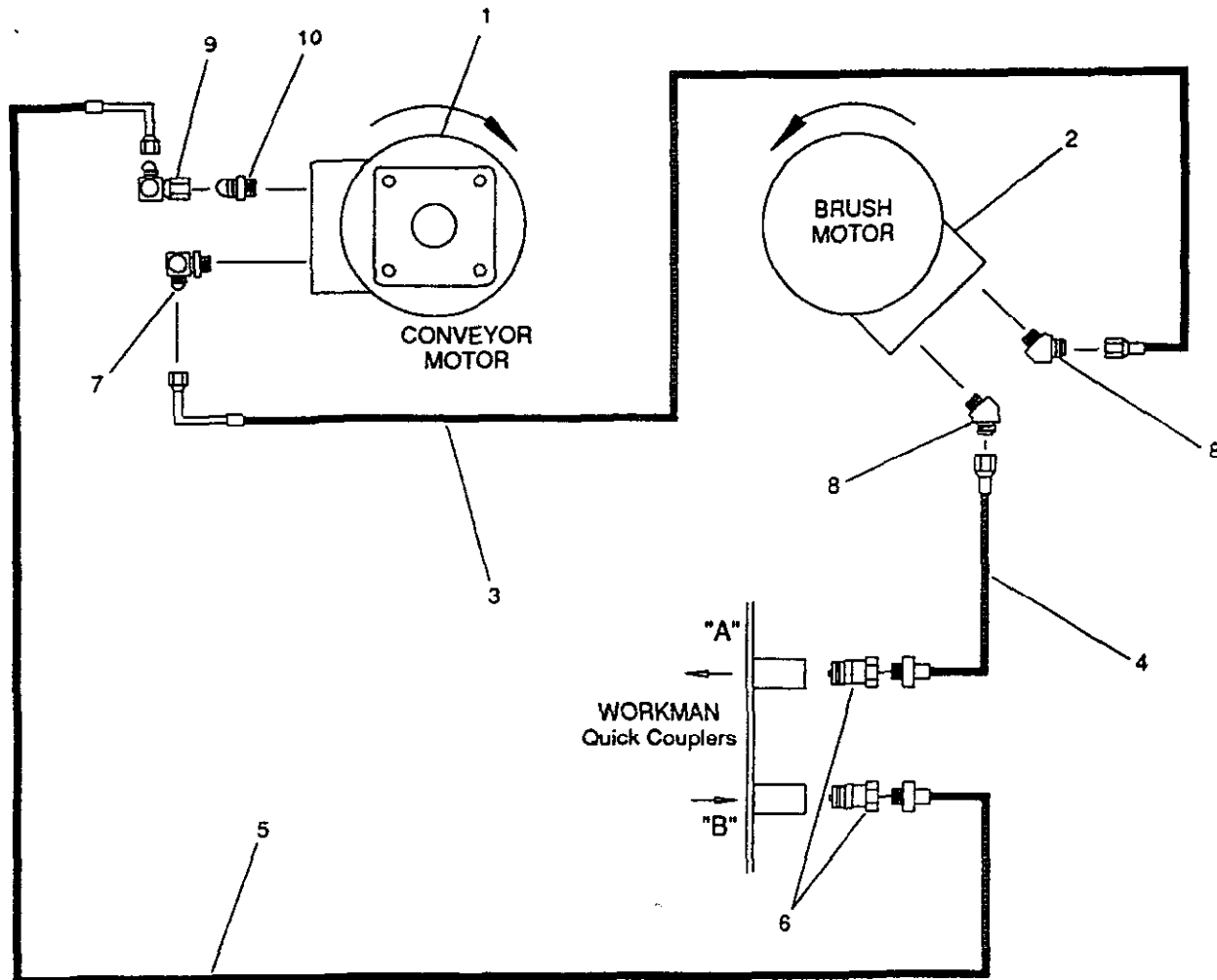


OPTIONAL LIFT KIT - NO. 92 - 4452

1800-007

Ref. No.	Part No.	Description	No. Used
1	92-4448	Bracket - Lift	1

Ref. No.	Part No.	Description	No. Used
2	92-4453	Chain - Lift	2



HYDRAULIC SCHEMATIC

1800-008

Ref. No.	Part No.	Description	No. Used
1	92-4343	Hydraulic Motor - Conveyor	1
*	01-305-1020	Seal Kit	1
2	92-4344	Hydraulic Motor - Brush	1
*	01-305-1030	Seal Kit	1
3	01-312-2960	Hydraulic Hose	1
4	01-312-2940	Hydraulic Hose	1

Ref. No.	Part No.	Description	No. Used
5	01-312-2950	Hydraulic Hose	1
6	92-2672	Quick Disconnect - Male	2
7	01-201-1580	Hydraulic Fitting, 90° elbow	1
8	01-201-1190	Hydraulic Fitting, 45° elbow	2
9	01-201-2410	Hydraulic Fitting, 90° elbow	1
10	01-201-1350	Hydraulic Fitting, connector	1

* Not Illustrated

PART NUMBER INDEX

Part No.	Description	Pg. No.	Ref. No.	Qty.	Part No.	Description	Pg. No.	Ref. No.	Qty.
01-100-0160	Bearing	5	8	1	323-6	Capscrew - Hex Hd.	3	27	4
01-100-0180	Bearing	3	9	4	323-6	Capscrew - Hex Hd.	5	5	4
01-158-0280	Truss Head Machine Screw	3	5	9	323-7	Capscrew - Hex Hd.	1	13	8
01-158-1740	Carriage Bolt	3	32	8	3231-2	Carriage Bolt	5	9	2
01-161-0040	Pop Rivet	4	8	14	3233-7	Carriage Bolt	6	2	2
01-168-2010	Machinery Bushing	3	15	4	325-4	Capscrew - Hex Hd.	3	19	4
01-178-1218	Capscrew - Hex Hd.	6	3	2	325-5	Capscrew - Hex Hd.	1	25	2
01-182-0616	Capscrew - Hex Hd.	3	28	1	325-5	Capscrew - Hex Hd.	2	2	2
01-182-0624	Capscrew - Hex Hd.	3	17	2	325-6	Capscrew - Hex Hd.	3	10	8
01-189-1210	Lock Nut	6	6	2	3253-2	Lock Washer	3	6	9
01-201-1190	Hydraulic Fitting	10	8	2	3253-3	Lock Washer	1	20	6
01-201-1350	Hydraulic Fitting	10	10	1	3253-3	Lock Washer	4	27	2
01-201-1580	Hydraulic Fitting	10	7	1	3253-5	Lock Washer	1	7	20
01-201-2410	Hydraulic Fitting	10	9	1	3253-5	Lock Washer	3	20	4
01-251-0020	#50 Half Link	3	*	1	3253-5	Lock Washer	5	6	6
01-256-0200	Knob - Gate	6	7	2	3253-7	Lock Washer	1	27	2
01-260-1790	Sheave	3	3	4	3253-7	Lock Washer	2	4	2
01-262-0050	Sprocket - Conveyor Motor	3	30	1	3253-7	Lock Washer	3	13	20
01-262-0960	Sprocket - Drive Roller	3	21	1	3256-2	Flat Washer	4	14	6
01-271-0390	Belt - Conveyor	3	8	1	3256-26	"SAE" Flat Washer	3	12	16
01-286-0440	Brush	5	1	1	3256-4	Flat Washer	1	6	14
01-305-1020	Seal Kit	4	*	1	3256-4	Flat Washer	4	21	4
01-305-1020	Seal Kit	10	*	1	3256-4	Flat Washer	5	7	4
01-305-1030	Seal Kit	5	*	1	3256-4	Flat Washer	7	5	8
01-305-1030	Seal Kit	10	*	1	3256-4	Flat Washer	8	5	8
01-312-2940	Hydraulic Hose	10	4	1	3256-6	Flat Washer	1	26	4
01-312-2950	Hydraulic Hose	10	5	1	3256-6	Flat Washer	2	3	2
01-312-2960	Hydraulic Hose	10	3	1	3256-6	Flat Washer	3	11	4
01-506-0050	Decal - Danger	7	8	1	3256-6	Flat Washer	6	9	2
01-506-0430	Decal - Replacement Manual	1	22	1	3272-25	Cotter Pin	3	16	4
01-506-0500	Decal - Toro	4	16	2	56-004-2401	Key - Sq.	3	22	1
01-506-0550	Decal - Grease	7	9	2	74-0720	Manual Tube	4	25	1
01-506-0550	Decal - Grease	8	7	2	92-1233	Pin - Clevis	1	17	2
01-506-1180	Decal - Topdresser 1800	7	10	1	92-1233	Pin - Clevis	2	7	2
01-506-1180	Decal - Topdresser 1800	8	8	1	92-1298	Pin - Lynch	1	18	4
01-650-0050	All Thread	8	3	4	92-1298	Pin - Lynch	2	8	4
01-650-0080	All Thread	7	3	4	92-2667	Bracket - Attachment Mount	1	14	2
23-004-0721	Washer-UHMW	6	5	4	92-2672	Quick Disconnect - Male	10	6	2
23-004-0831	Brush Shaft	5	2	1	92-4297	Skirt - Side	4	2	2
23-004-0981	Hopper Window	4	7	1	92-4298	Skirt - Front	4	10	1
23-005-0961	Corner Guard	4	15	4	92-4302	Plate - Roller	3	18	1
2412-133	R-Clamp	4	24	2	92-4305	Top - Slide Bed	3	4	1
321-4	Capscrew - Hex Hd.	1	16	2	92-4316	End - Frame	1	5	1
321-4	Capscrew - Hex Hd.	4	26	2	92-4318	Hopper Side - LH	4	1	1
321-6	Capscrew - Hex Hd.	1	10	4	92-4319	Hopper Side - RH	4	5	1
32128-33	Lock Nut - Flange	4	4	59	92-4320	Hopper Front	4	6	1
32146-2	Lock Nut w/nylon	7	6	4	92-4321	Hopper Back	4	11	1
32146-2	Lock Nut w/nylon	8	6	4	92-4322	Spacer - Hydraulic Motor	3	25	1
3217-26	Hex Nut	3	7	9	92-4322	Spacer - Hydraulic Motor	5	4	1
3217-5	Hex Nut	1	21	6	92-4330	Washer - Pivot	6	4	2
3217-5	Hex Nut	4	28	2	92-4343	Hydraulic Motor - Conveyor	10	1	1
3217-7	Hex Nut	1	8	12	92-4343	Motor - Hydraulic/Conveyor	3	24	1
3217-7	Hex Nut	3	29	2	92-4344	Hydraulic Motor - Brush	10	2	1
3217-7	Hex Nut	4	20	4	92-4344	Motor - Hydraulic/Brush	5	3	1
3217-7	Hex Nut	5	10	2	92-4346	Strip - Corner Hopper	4	9	2
3217-7	Hex Nut	7	4	12	92-4347	Strip - Hopper Back	4	13	2
3217-7	Hex Nut	8	4	12	92-4350	Frame - Topdresser	1	1	1
3217-9	Hex Nut	1	28	2	92-4351	Base Mounting	1	12	1
3217-9	Hex Nut	2	5	2	92-4351	Base Mounting	2	1	1
3217-9	Hex Nut	3	14	20	92-4352	Gate	6	1	1
3229-11	Carriage Bolt	4	3	59	92-4353	Plate - Motor Adjustment	3	26	1
323-4	Capscrew - Hex Hd.	1	11	2	92-4354	Roller - Drive	3	1	1
323-6	Capscrew - Hex Hd.	1	3	10	92-4355	Roller - Idler	3	2	1

* Not Illustrated

PART NUMBER INDEX (Continued)

Part No.	Description	Pg. No.	Ref. No.	Qty.	Part No.	Description	Pg. No.	Ref. No.	Qty.
92-4357	Guard-RH Rear	8	1	1	92-4463	Support - Hopper LH	4	18	1
92-4359	Brace - Hopper	4	12	1	92-4464	Support - Hopper RH	4	19	1
92-4361	Guard - RH Side	8	2	1	92-4491	Cover - Rubber	1	23	1
92-4362	Bracket - Rear Lift	1	9	2	92-4492	Clamp - Rubber	1	24	1
92-4363	Bracket - LH Front Lift	1	4	1	92-4493	Brace - Hopper Front	4	22	1
92-4364	Bracket - RH Front Lift	1	2	1	92-4510	Hopper Front Assembly	4	*	1
92-4368	Decal - Warning	4	17	2	92-4518	Skirt - Left Side	4	23	1
92-4370	Chain - Drive	3	23	1	92-4517	Skirt - Right Side	4	*	1
92-4371	Tube - Gate Adjustment	6	8	2	92-4518	Skirt - Left Side	6	10	1
92-4372	Hose Retainer	1	19	2	92-4517	Skirt - Right Side	6	*	1
92-4443	Decal - Gauge	7	7	1	92-4572	Guard - Chain (LH Side)	7	1	1
92-4448	Bracket - Lift	9	1	1	92-4573	Guard - LH Side	7	2	1
92-4453	Chain - Lift	9	2	2	92-4574	Cover - Edge	7	11	1
92-4455	Pin - Lacing	3	*	1	92-4575	Plate - Bearing	3	31	2
92-4459	Pin - Cylinder	1	15	2	92-4576	Spacer - Mount	2	6	2

* Not Illustrated

PRODUCT CHANGES

In an effort to make improvements available to TORO owners as quickly as possible minor changes are incorporated into Toro's products from time to time that do not become immediately shown in the Parts Catalog. If such a change has been made in your unit which is not reflected in your manual see your TORO Distributor or an Authorized Service Dealer for information and part numbers.

IDENTIFICATION & ORDERING

MODEL AND NUMBERS

The TORO TOPDRESSER 1800 has two identification numbers; a model number and a serial number. The two numbers are stamped on a plate which is located on the base. In any correspondence concerning the Topdresser 1800, supply model and serial numbers to assure that correct information and replacement parts are obtained.

To order replacement parts from your TORO Distributor or an Authorized Service Dealer, supply the following information:

1. Model and serial number of the unit.
2. Part number description and the quantity of part (s) desired.

NOTE: Do not order by reference number if a parts catalog is being used: use the PART NUMBER.

TABLE OF CONTENTS

Description	Page	Description	Page
Base & Frame Assembly	1	Left Hand Guard Assembly.....	7
Base Mounting(For Units w/H.D. Hitch Frame) ...	2	Right Hand Guard Assembly	8
Roller Assembly	3	Optional Lift Kit - No. 92-4452.....	9
Hopper Assembly	4	Hydraulic Schematic.....	10
Brush Assembly	5	Part Number Index	11 - 12
Gate Assembly	6		

NOTES



NOTES



