



# Motor Mount Kit

Greensmaster® 3300 or 3320 TriFlex® Traction Unit

Model No. 145-0057

## Installation Instructions

# Installation

## Loose Parts

Use the chart below to verify that all parts have been shipped.

Procedure	Description	Qty.	Use
<b>1</b>	No parts required	–	Prepare the machine.
<b>2</b>	No parts required	–	Remove an existing motor mount.
<b>3</b>	Motor adapter Motor mount Hex-head bolt (5/16 inch) Nut (5/16 inch) Hex-head bolt (3/8 inch) Nut (3/8 inch) Hex-head bolt (1/4 inch) Nut (1/4 inch) Cylinder spacer Spacer	1 1 2 2 1 1 4 4 1 1	Install a motor mount.
<b>4</b>	Motor adapter Motor mount Hex-head bolt (5/16 inch) Nut (5/16 inch) Hex-head bolt (3/8 inch) Nut (3/8 inch) Hex-head bolt (1/4 inch) Nut (1/4 inch) Cylinder spacer Spacer	1 1 2 2 1 1 4 4 1 1	Remove and install the remaining motor mount.

# 1

## Preparing the Machine

No Parts Required

## Procedure

1. Park the machine on a level surface.
2. Engage the parking brake.
3. Shut off the engine and remove the key.



# 2

## Removing an Existing Motor Mount

No Parts Required

### Procedure

**Important:** Remove and install a single motor mount at a time (e.g., remove and install the left motor mount, then remove and install the right motor mount).

If both mounts are simultaneously removed, then installed, the engine frame assembly becomes unstable.

- 1. Place a jack under the engine (Figure 1).

**Note:** This removes the engine weight from the parts that you remove in the next step.

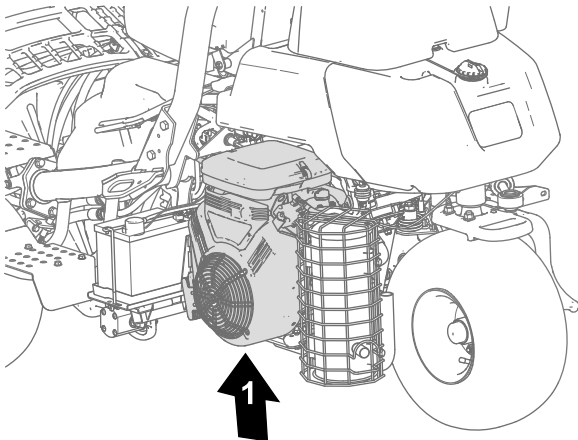


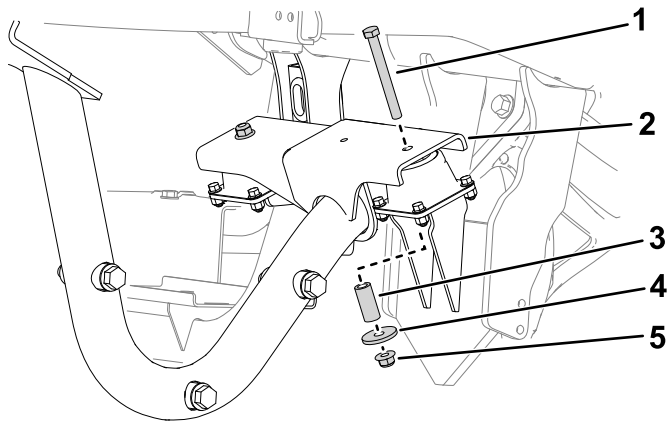
Figure 1

g361993

- 1. Jack location

- 2. Remove the existing bolts, spacers, and nuts from one of the motor mounts on the engine frame (Figure 2).

**Note:** The engine frame is adjacent to the engine, under the generator.

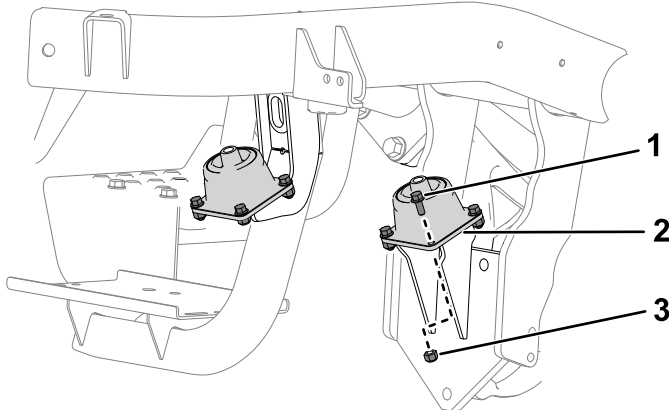


g361994

Figure 2

- 1. Bolt
- 2. Engine frame
- 3. Cylinder spacer
- 4. Flat spacer
- 5. Nut

- 3. Remove the existing bolt, nut, and motor mount from the frame (Figure 3).



g361995

Figure 3

- 1. Bolt
- 2. Motor mount
- 3. Nut

# 3

## Installing a Motor Mount

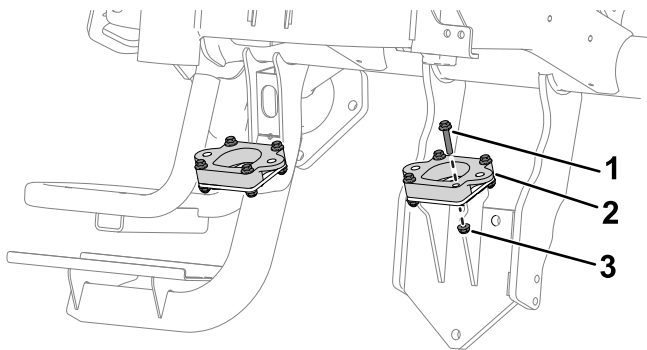
### Parts needed for this procedure:

1	Motor adapter
1	Motor mount
2	Hex-head bolt (5/16 inch)
2	Nut (5/16 inch)
1	Hex-head bolt (3/8 inch)
1	Nut (3/8 inch)
4	Hex-head bolt (1/4 inch)
4	Nut (1/4 inch)
1	Cylinder spacer
1	Spacer

### Procedure

**Note:** The engine frame is removed from [Figure 4](#) and [Figure 5](#) for clarity. The frame is shown in [Figure 6](#).

- Use 4 hex-head bolts (1/4 inch) and 4 nuts (1/4 inch) to secure a motor adapter to the frame ([Figure 4](#)).

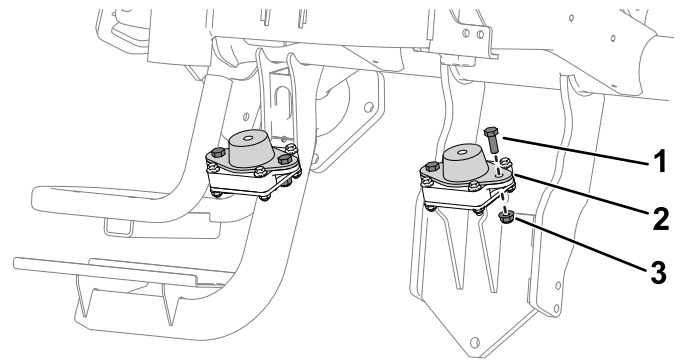


**Figure 4**

g360967

- Hex-head bolt (1/4 inch)
- Motor adapter
- Nut (1/4 inch)

- Use 2 hex-head bolts (5/16 inch) and 2 nuts (5/16 inch) to secure a motor mount to the motor adapter ([Figure 5](#)).

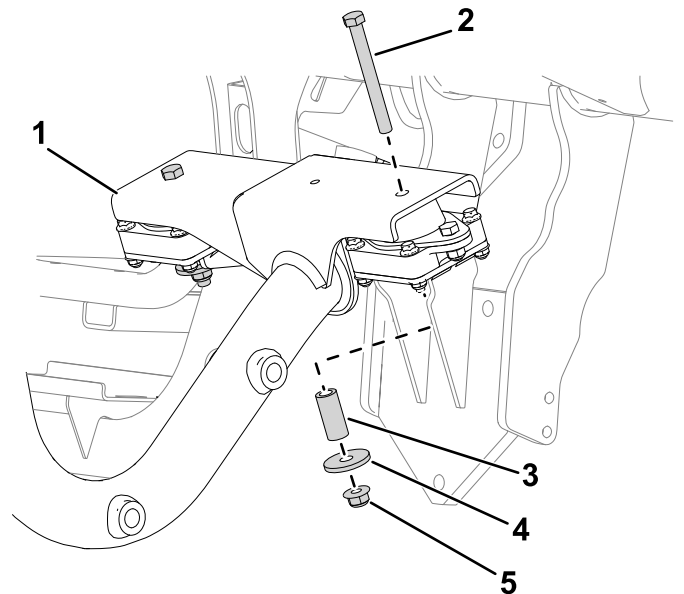


**Figure 5**

g360968

- Hex-head bolt (5/16 inch)
- Motor mount
- Nut (5/16 inch)

- Use 1 hex-head bolt (3/8 inch), 1 cylinder spacer, 1 spacer, and 1 nut (3/8 inch) to secure the engine frame to the motor mount ([Figure 6](#)).



**Figure 6**

g360966

- Engine frame
- Hex-head bolt (3/8 inch)
- Cylinder spacer
- Spacer
- Nut (3/8 inch)

# 4

## Removing and Installing the Remaining Motor Mount

**Parts needed for this procedure:**

1	Motor adapter
1	Motor mount
2	Hex-head bolt (5/16 inch)
2	Nut (5/16 inch)
1	Hex-head bolt (3/8 inch)
1	Nut (3/8 inch)
4	Hex-head bolt (1/4 inch)
4	Nut (1/4 inch)
1	Cylinder spacer
1	Spacer

### Procedure

1. Remove and install the remaining motor mount; refer to the steps listed in [2 Removing an Existing Motor Mount \(page 1\)](#) and [3 Installing a Motor Mount \(page 2\)](#).
2. Remove the jack from the engine.