



Count on it.

Parts Catalog

**Workman® GTX
Electric Utility Vehicle**

Model No. 07413LT—Serial No. 40000000 and Up



Ordering Replacement Parts

To order replacement parts, please supply the part number, the quantity, and the description of each part desired.

Understanding Reference Numbers

Each identified part in an illustration has a reference number. The reference number for a part also appears in the parts list, along with other information about the part.

This catalog uses two special reference number formats, one to indicate parts in a service assembly and another to indicate the quantity of a given part in an illustration.

Service Assembly Reference Numbers

Parts in service assemblies have reference numbers in the form a:b. The a represents the reference number of the entire service assembly and the b represents a sequential number unique to each part within the service assembly.

For example, a wheel assembly might be identified by reference number 6, the tire by 6:1, the valve by 6:2, and the wheel by 6:3. When you order the assembly identified by reference number 6, you receive all parts identified by reference numbers 6:1, 6:2, and 6:3. However, you may also order any part individually. Reference numbers of this type appear in illustration and in parts lists.

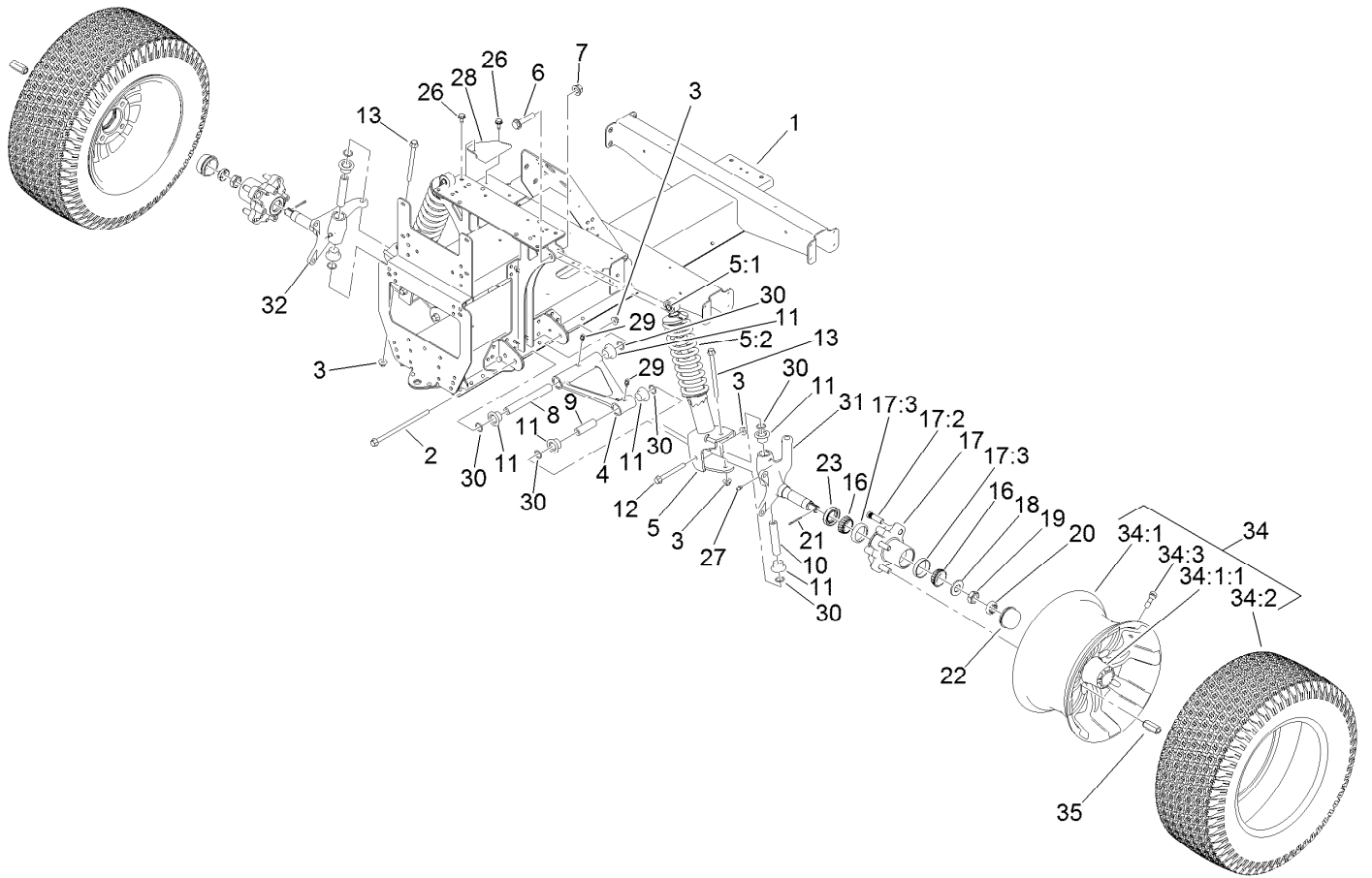
Reference Numbers Indicating Quantity

In an illustration, if a reference number indicates more than one part, the reference number has the form nX y. The n represents the quantity of the part, the X is the multiplication symbol, and the y represents the reference number.

For example, in an illustration, the reference number 2X 37 means that two of the parts identified by reference number 37 are indicated.

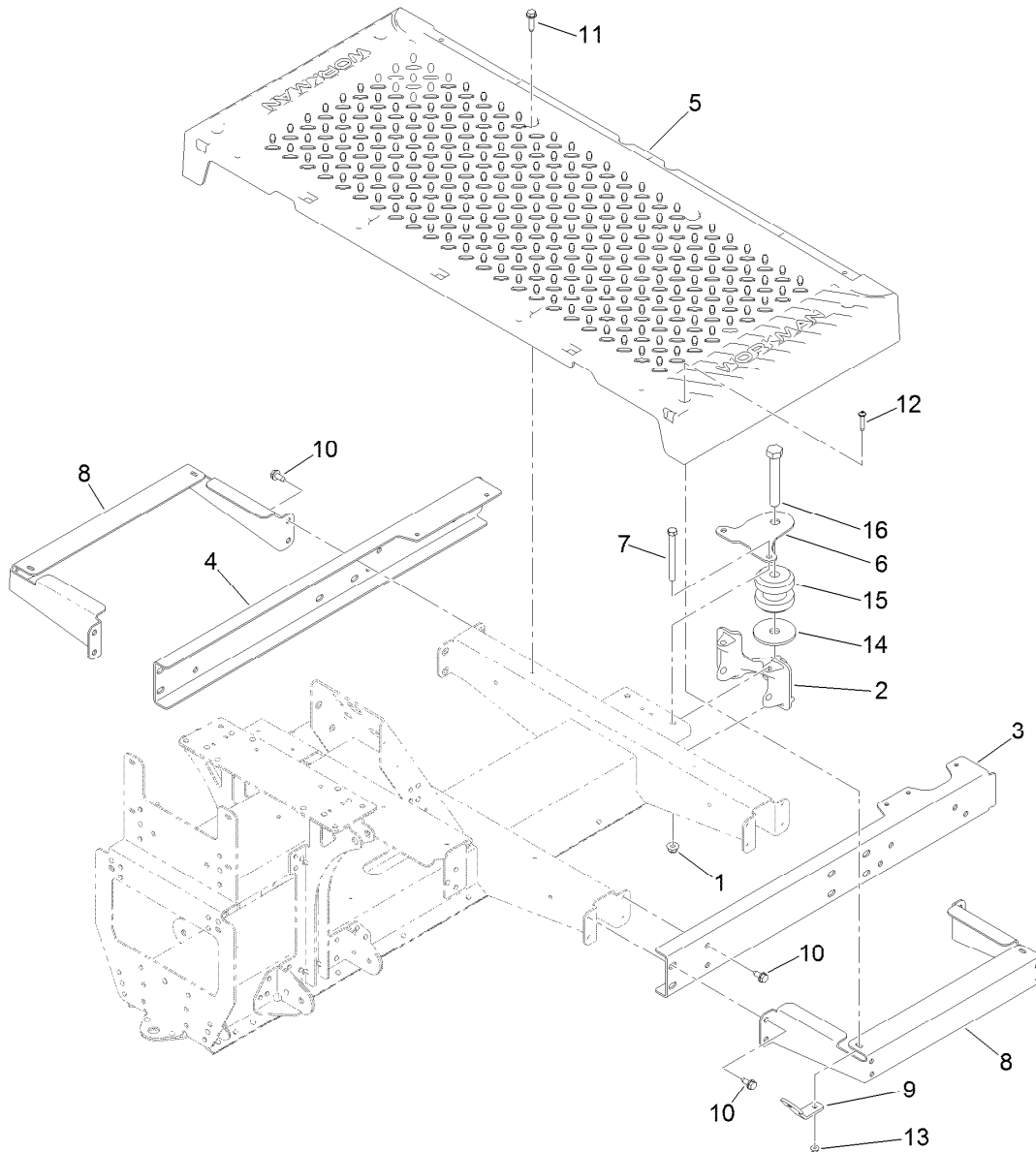
Contents

Front Frame and Suspension Assembly	4
Floor Plate and Rear Suspension Mount Assembly	5
Rear Frame and Suspension Assembly	6
Frame Mount and Rear Shock/Spring Assembly	7
Brake Assembly	8
Master Cylinder Assembly No. 104-6782	9
Brake Caliper Assembly No. 140-2575	10
Steering Assembly	11
Brake Pedal and Parking Brake Lever Assembly	12
Hood and Fender Assembly	13
Dash Assembly	14
Seatbase Assembly	15
Cargo Bed Assembly	16
Controller and Charger Assembly	17
Accelerator Pedal Assembly	19
Battery Cable Assembly	20
Rear Wheel and Transaxle Assembly	21
Transaxle Assembly No. 136-6340	22
Electric Motor Assembly No. 137-6936	23
Battery Assembly No. 04070	24
Attachments and Accessories	25



Front Frame and Suspension Assembly

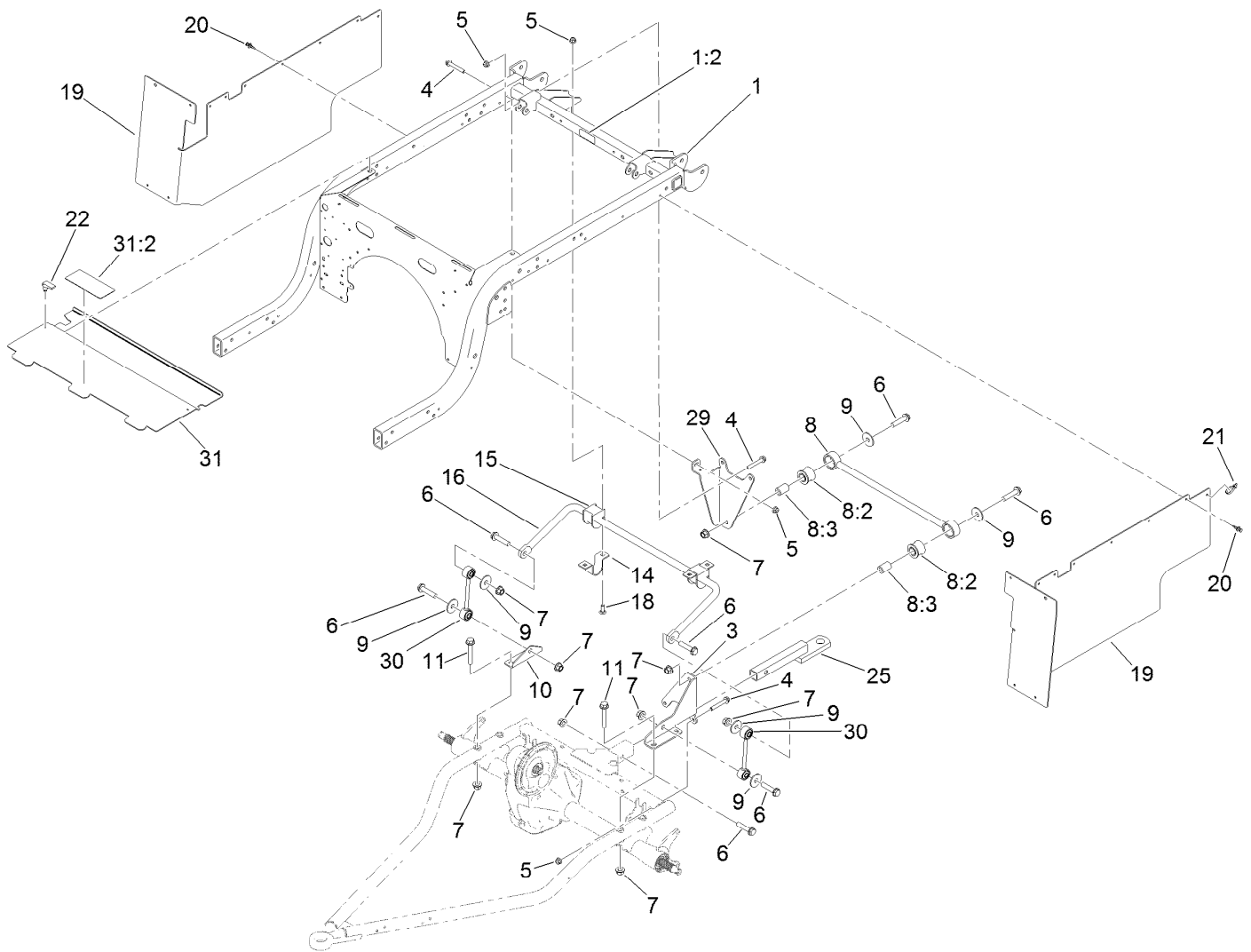
Ref.	Part Number	Qty.	Description	Ref.	Part Number	Qty.	Description
1	127-7718-03	1	Frame-Front	18	93-0309	2	Washer-Tab
2	139-3360	2	Screw-HF	19	3220-7	2	Nut-Jam
3	139-3380	6	Nut-HF	20	93-0307	2	Nut-Lock, Retainer
4	139-4465	2	A-Arm	21	3272-12	2	Pin-Cotter
5	139-4484	2	Strut ASM, 250 Lb (16.33" EXT Length)	22	241-119	2	Cap-Dust
5:1	131-8574	1	Isolator-Shock	23	112-1690	2	Seal-Oil
5:2	137-6719	1	Spring-Compression, 250Lb	26	32144-70	2	Screw-HWHTF
6	3234-46	2	Screw-HHF	27	302-5	2	Fitting-Grease
7	99-5107	2	Nut-Lock	28	131-8339-03	1	Reinforcement-Tower
8	131-8581	2	Sleeve-Control Arm, Inner	29	302-60	4	Fitting-Grease
9	131-8583	2	Sleeve-Control Arm, Outer	30	237-54	12	O-Ring
10	131-8582	2	Sleeve-Kingpin	31	138-9392	1	Spindle 2" Offset, LH
11	133-0643	12	Bushing-Flange, O-Ring	32	138-9394	1	Spindle 2" Offset, RH
12	139-3370	2	Screw-HF	34	139-4649	2	Aluminum Whl And Tire ASM
13	139-3350	2	Screw-HF	34:1	139-4601	1	Wheel-Aluminum
16	254-94	4	Bearing-Cone, Tapered	34:1:1	140-4570	1	Cap-Aluminum Wheel
17	127-8851	2	Front Hub ASM	34:2	120-3271	1	Tire
17:2	10-6830	4	Stud-Type, Drive	34:3	232-27	1	Stem-Valve
17:3	254-72	2	Bearing-Cup, Tapered	35	139-3603	8	Nut-Lug



Floor Plate and Rear Suspension Mount Assembly

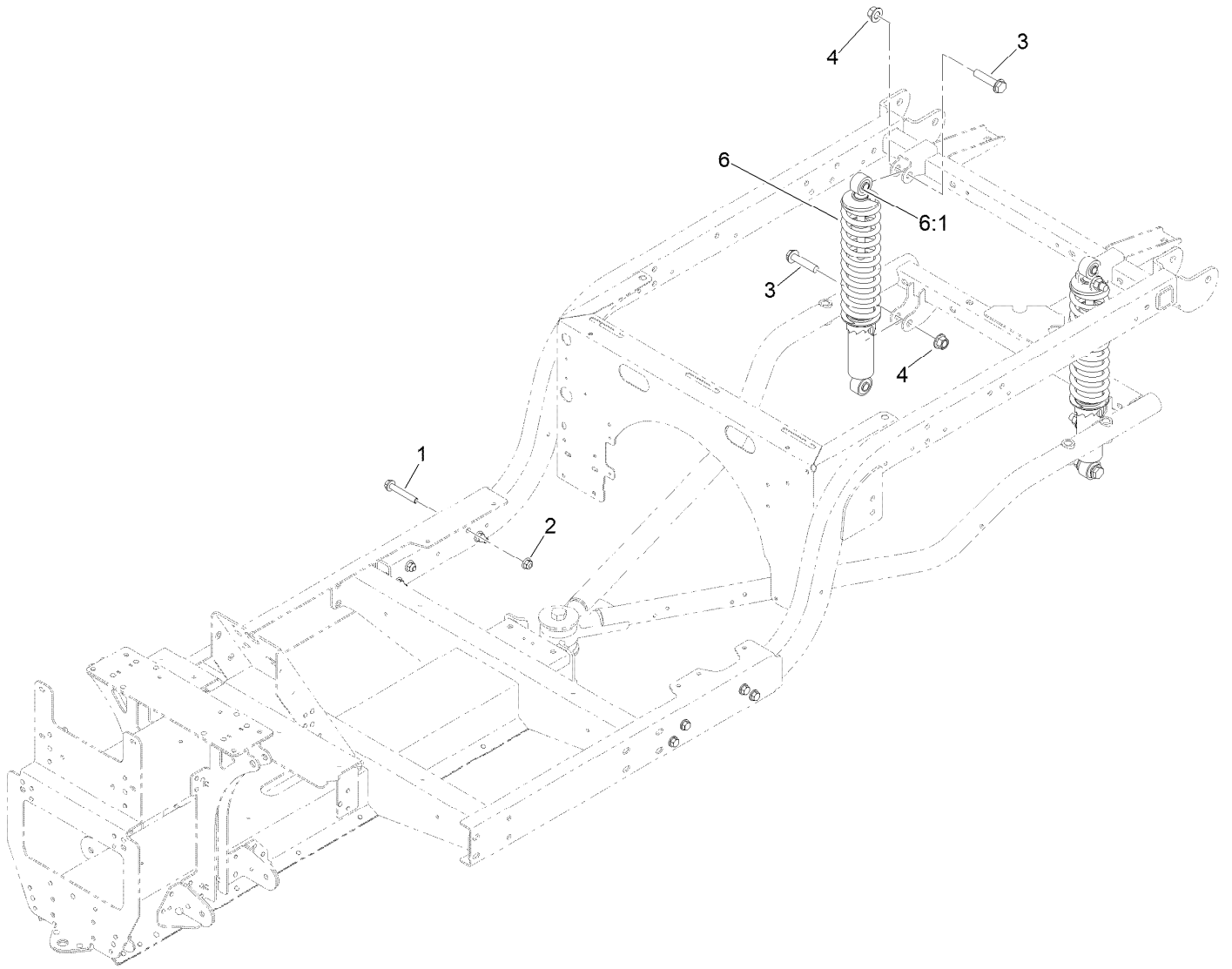
Ref.	Part Number	Qty.	Description
1	104-8301	2	Nut-HF, NI
2	131-8466	1	Mount-Suspension, Rear
3	127-7820-03	1	Channel-Frame, Front (LH)
4	127-7821-03	1	Channel-Frame, Front (RH)
5	127-7829	1	Plate-Floor
6	131-8597	1	Plate-Gimbal, Upper
7	323-42	2	Screw-HH
8	127-7837-03	2	Bracket-Support, Floor Plate

Ref.	Part Number	Qty.	Description
9	127-7832	2	Bracket-Angle
10	32144-70	16	Screw-HWHTF
11	32144-49	4	Screw-HWHTF
12	132-6777	4	Screw-TTH
13	104-7201	4	Nut-Flange, NI
14	110-4549	1	Washer-Snubbing
15	131-8480	1	Isolator
16	104-5877	1	Screw-HH



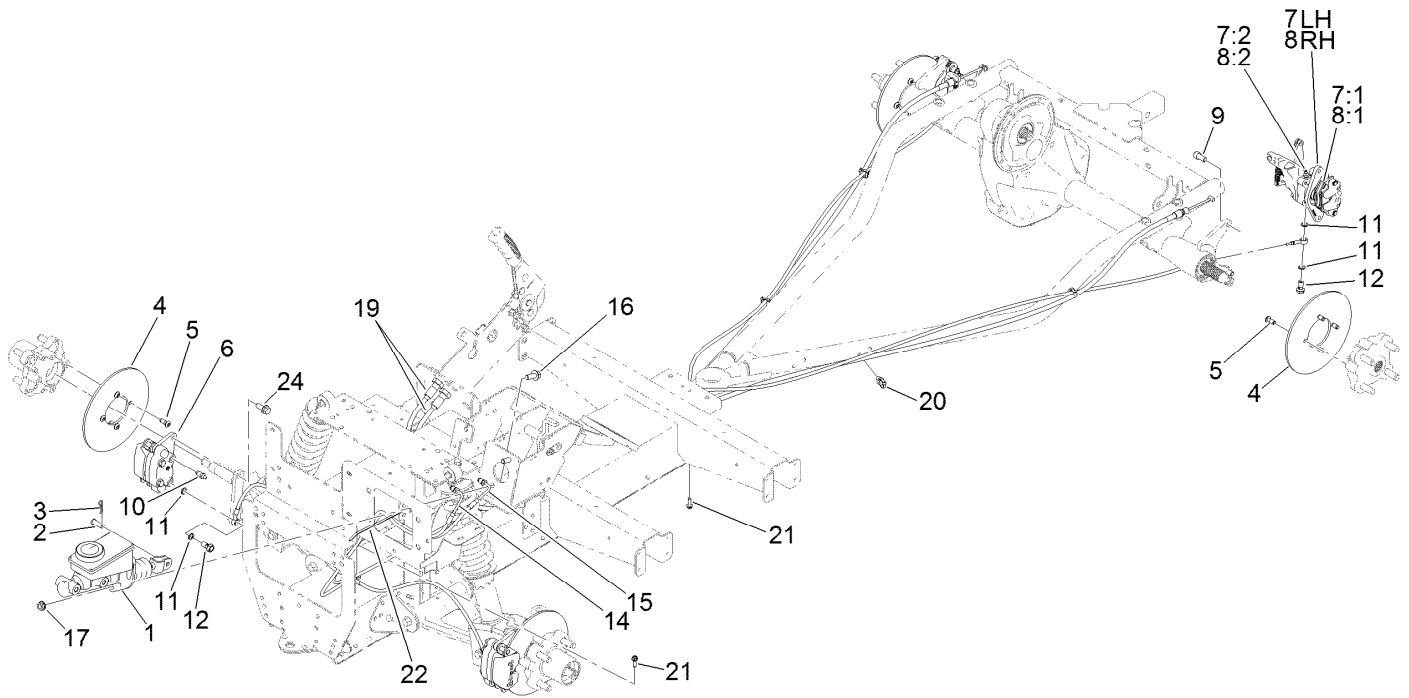
Rear Frame and Suspension Assembly

<i>Ref.</i>	<i>Part Number</i>	<i>Qty.</i>	<i>Description</i>	<i>Ref.</i>	<i>Part Number</i>	<i>Qty.</i>	<i>Description</i>
1	131-8594	1	*obs* Rear Frame ASM	14	139-4644	2	Clamp, Anti-Sway Bar
1:2	115-2047	1	Decal-Surface, Hot	15	87-3910	2	Bushing-Rubber
3	127-7411-03	1	Bracket-Bar, Stabilizer	16	131-8310-03	1	Bar-Sway, Anti
4	3234-39	5	Screw-HHF	18	3231-22	4	Screw-CARR
5	104-8301	9	Nut-HF, NI	19	131-8346	2	Panel-Side
6	3234-46	7	Screw-HHF	20	125-9622	20	Rivet-Blind
7	99-5107	11	Nut-Lock	21	3290-378	2	Tie-Cable
8	109-5013	1	Panhard Rod ASM	22	74-5950	2	Latch-Swell
8:2	109-5009	2	Bushing-Suspension, Rubber	25	137-6741	1	Ball Mount ASM
8:3	109-5010	2	Spacer	29	139-4648-03	1	Bracket-Stabilizer Bar [black]
9	86-1990	6	Washer-Thrust	30	139-4606	2	Link ASM-Sway Bar
10	131-8315	1	Bracket-Link, Sway Bar	31	140-4573	1	Extended Panel-Cover
11	3234-40	4	Screw-HF	31:2	99-7345	1	Decal-Warning



Frame Mount and Rear Shock/Spring Assembly

<i>Ref.</i>	<i>Part Number</i>	<i>Qty.</i>	<i>Description</i>
1	3234-39	8	Screw-HHF
2	104-8301	8	Nut-HF, NI
3	3234-46	4	Screw-HHF
4	99-5107	4	Nut-Lock
6	139-4608	2	Shock/Spring ASM
6:1	131-8574	2	Isolator-Shock



Brake Assembly

Ref.	Part Number	Qty.	Description	Ref.	Part Number	Qty.	Description
1	104-6782	1	Master Cylinder ASM	8:3	136-6328	2	Spring-Rattle, Anti ●
2	283-2	1	Pin-Clevis	9	131-8573	4	Screw-HSH
3	1-806003	1	Pin-Cotter	10	119-9509	2	Screw-Bleed
4	139-4474	4	Rotor-Brake	11	115-2341	8	Washer-Banjo
5	121-9671	16	Screw-HSBH	12	120-4875	4	Bolt-Flange, Banjo
6	140-2575	2	Brake Caliper ASM	14	127-7781	1	Brake Line-Front
7	140-2585	1	Brake Caliper ASM, LH	15	127-7782	1	Brake Line-Rear
7:1	140-2595	1	Brake Pad Service Kit (Rear, Qty 4)	16	3234-11	2	Screw-HHF
7:2	119-9509	1	Screw-Bleed	17	3290-357	2	Nut-HHF, Whiz
7:3	136-6328	2	Spring-Rattle, Anti ●	19	131-8406	2	Cable-Park Brake
8	140-2590	1	Brake Caliper ASM, RH	20	32180-030	4	Clip-Tie
8:1	140-2595	1	Brake Pad Service Kit (Rear, Qty 4)	21	49-2040	2	Screw-HWHTF
8:2	119-9509	1	Screw-Bleed	22	3290-378	1	Tie-Cable
				24	3234-25	4	Screw-HHF

● Not illustrated



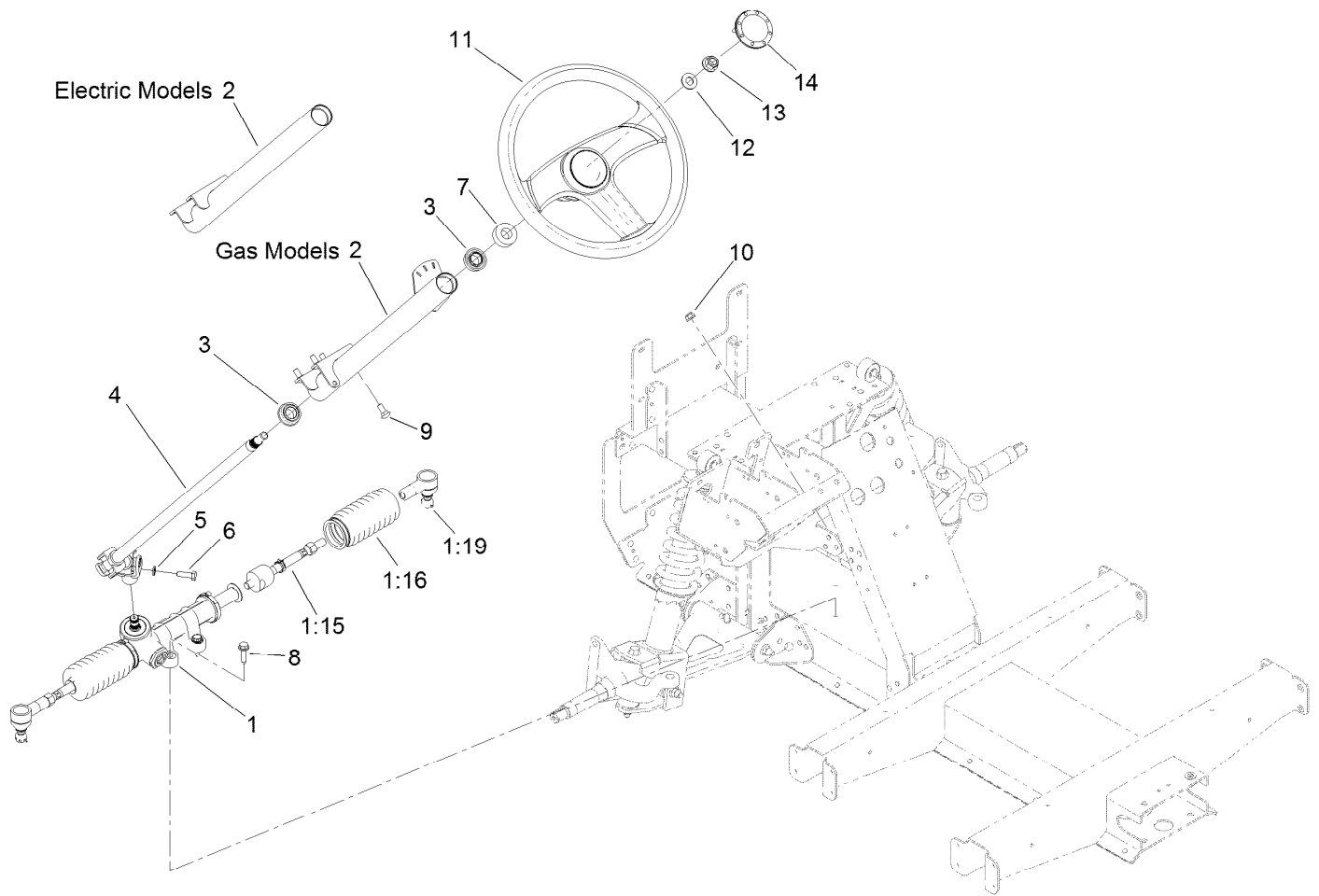
Master Cylinder Assembly No. 104-6782

<i>Ref.</i>	<i>Part Number</i>	<i>Qty.</i>	<i>Description</i>
1	104-6845	1	Reservoir ASM
1:1	92-4112	1	Cap ASM
2	93-8971	2	Seal-Port, Flange
3	92-4103	1	Pin-Stop
4	92-4102	1	Secondary Piston ASM
5	92-4110	1	Clevis
6	21-0360	1	Nut-Hex
7	94-5209	1	Cover-Dust
8	94-5210	1	Rod-Push
9	92-4109	1	Ring-Snap
10	92-4108	1	Retainer-Washer
11	92-4101	1	Primary Piston ASM



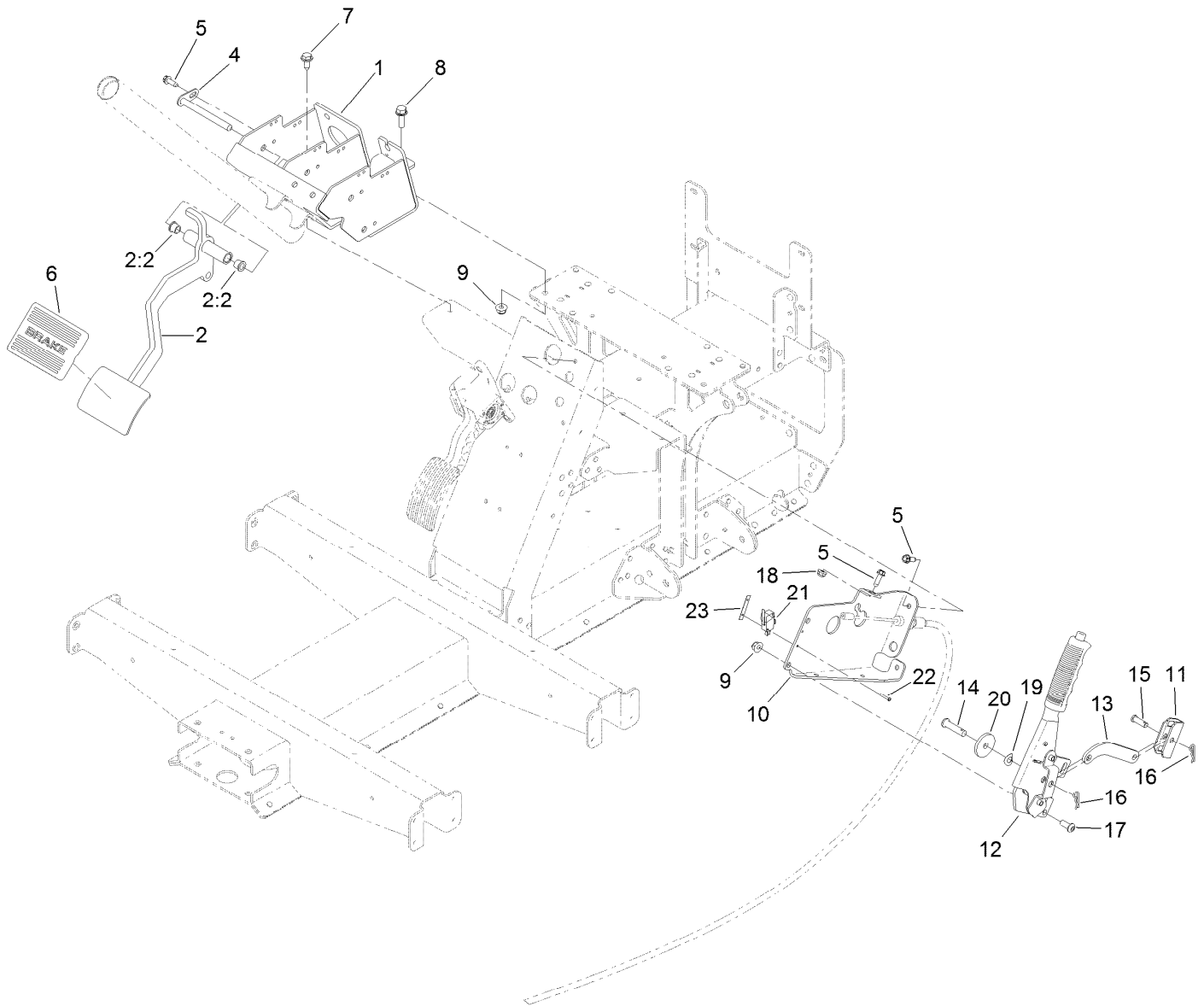
Brake Caliper Assembly No. 140-2575

<i>Ref.</i>	<i>Part Number</i>	<i>Qty.</i>	<i>Description</i>
1	140-2580	1	Brake Pad Service Kit (Front, Qty 4)
2	119-9511	1	Bracket Kit
3	133-0614	1	Piston Kit



Steering Assembly

<i>Ref.</i>	<i>Part Number</i>	<i>Qty.</i>	<i>Description</i>	<i>Ref.</i>	<i>Part Number</i>	<i>Qty.</i>	<i>Description</i>
1	138-0114	1	Steering Rack ASM	7	21-9260	1	Cover-Dust
1:15	138-0119	2	Rod-Tie, Inner	8	32144-49	4	Screw-HWHTF
1:16	138-0130	2	Bellows-Steering	9	3230-1	4	Bolt-CARR
1:19	138-0133	2	Rod End-Steering	10	104-8300	4	Nut-HF, NI
2	139-3343	1	Steering Column ASM	11	131-0957	1	Wheel-Steering
3	112-3262	2	Bearing	12	3256-26	1	Washer-Flat
4	127-8804	1	Shaft-Steering	13	99-5107	1	Nut-Lock
5	3253-4	1	Washer-Lock	14	131-3630	1	Cap-Wheel, Steering
6	116-3515	1	Screw-HH, Special				



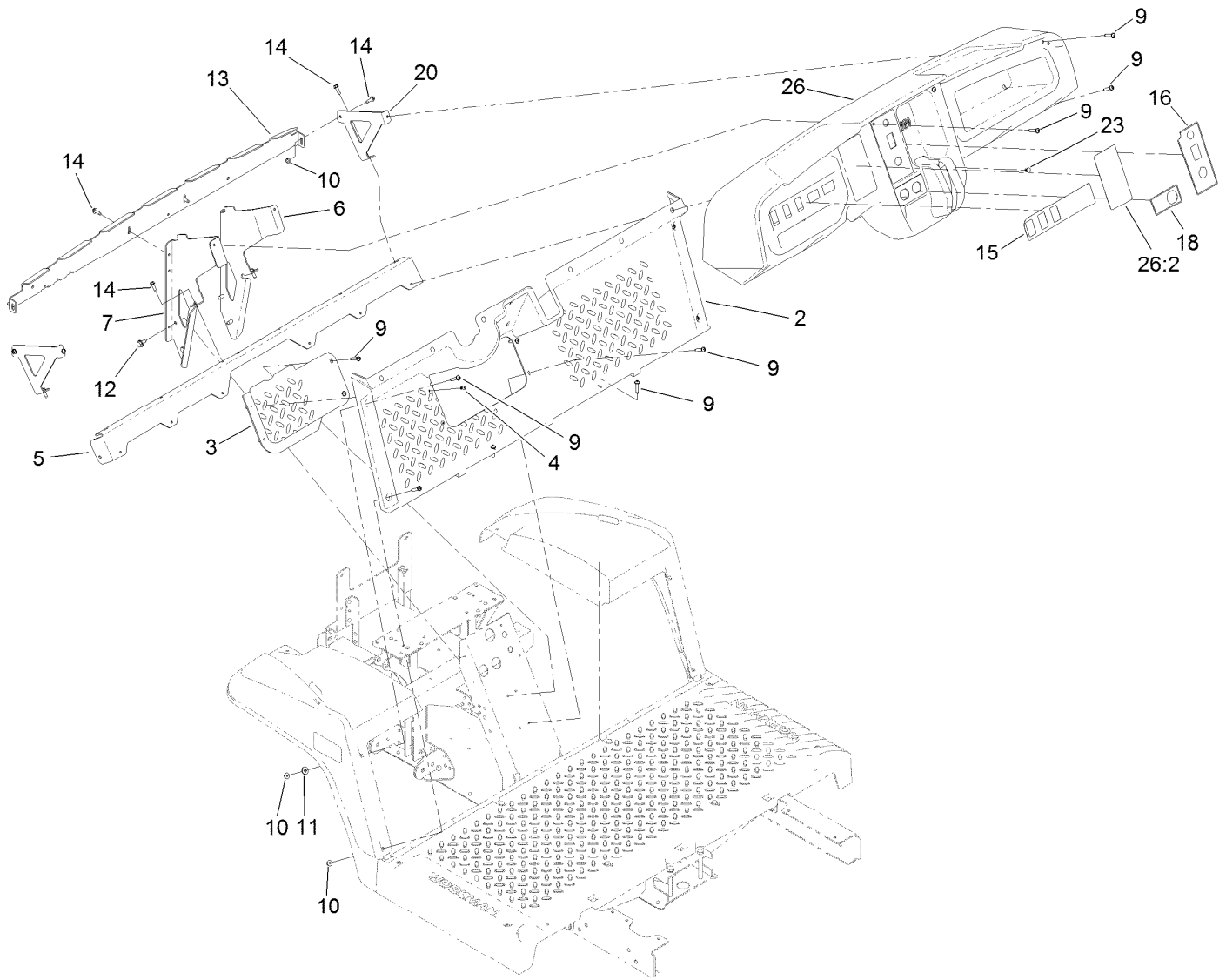
Brake Pedal and Parking Brake Lever Assembly

Ref.	Part Number	Qty.	Description	Ref.	Part Number	Qty.	Description
1	127-8817-03	1	Mount-Pedal	13	127-8836-03	1	Link-Brake, Park
2	138-9385	1	Brake Pedal ASM	14	283-10	1	Pin-Clevis
2:2	256-116	2	Bushing-Flange	15	1-808280	1	Pin-Clevis
4	131-8459	1	Shaft-Pivot	16	1-806003	2	Pin-Cotter
5	49-2040	4	Screw-HWHTF	17	3274-55	2	Screw-HSBH
6	7-3900	1	Pad-Brake	18	104-7201	1	Nut-Flange, NI
7	32144-70	2	Screw-HWHTF	19	121-4605	1	Washer-Spring
8	3234-29	1	Screw-HHF	20	131-8496	1	Washer-Plain
9	104-8300	3	Nut-HF, NI	21	108-6496	1	Switch (W/Boot)
10	127-8834-03	1	Mount-Brake, Park	22	3290-313	2	Screw-SPH
11	87-3480	1	Bracket-Equalizer, Cable	23	3290-354	1	Nut-Speed
12	131-8320	1	Lever-Brake, Park				



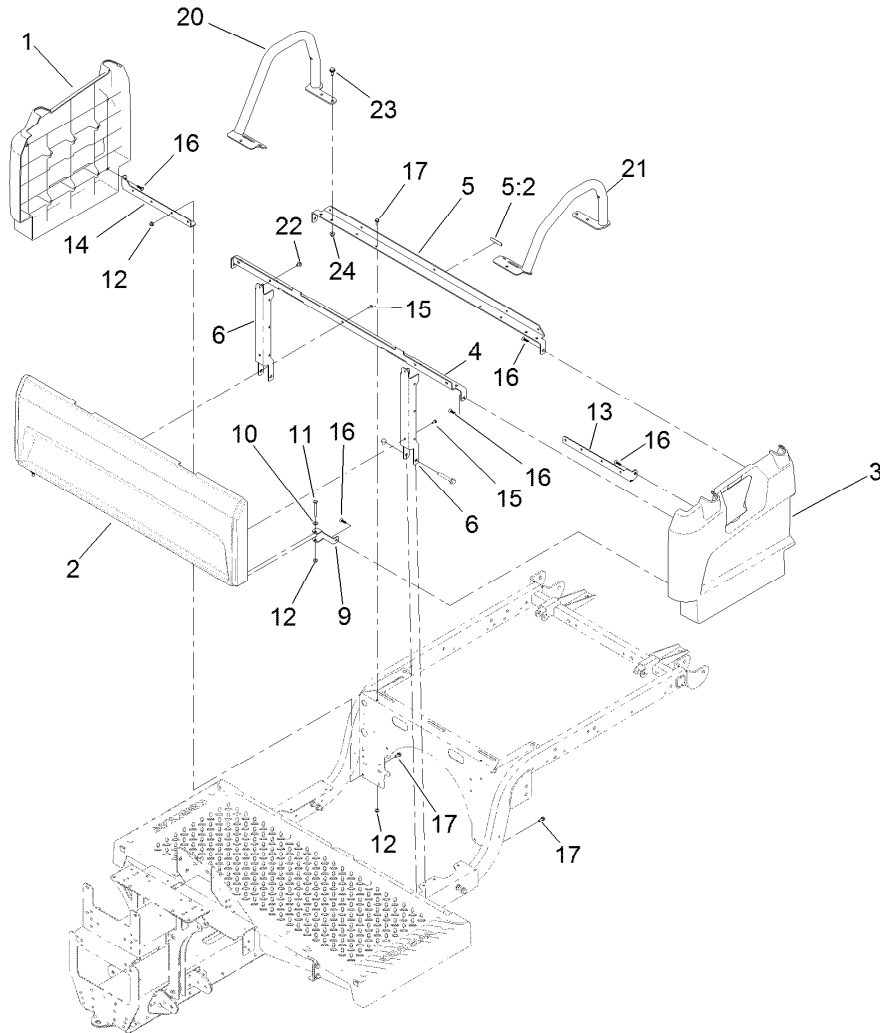
Hood and Fender Assembly

<i>Ref.</i>	<i>Part Number</i>	<i>Qty.</i>	<i>Description</i>	<i>Ref.</i>	<i>Part Number</i>	<i>Qty.</i>	<i>Description</i>
1	132-8530	1	Bumper	12	127-7771	1	Fender-Front, LH
2	131-8455-03	1	Bracket-Headlight, LH	13	127-7772	1	Fender-Front, RH
3	131-8456-03	1	Bracket-Headlight, RH	14	3234-33	4	Screw-HHF
4	46-8091	8	Screw-HWH	15	3256-2	4	Washer-Flat
5	138-9260	2	Headlight ASM	16	104-7201	4	Nut-Flange, NI
6	115-2408	6	Clip-Speed	17	32144-70	2	Screw-HWHTF
7	136-6281	1	Hood	18	125-1122	2	Screw
8	117-5094	2	Pin-Clevis	19	131-8402	2	Strap-Down, Hold
9	32121-50	2	Pin-Spring	20	3296-56	2	Nut-Lock, NI
10	112-3308	2	Retainer-Pin	21	140-4585	2	Decal-Fender, Gtx, Lithium
11	121-9605	6	Screw-HWH	23	133-7210	1	Seal-Trim, Hood



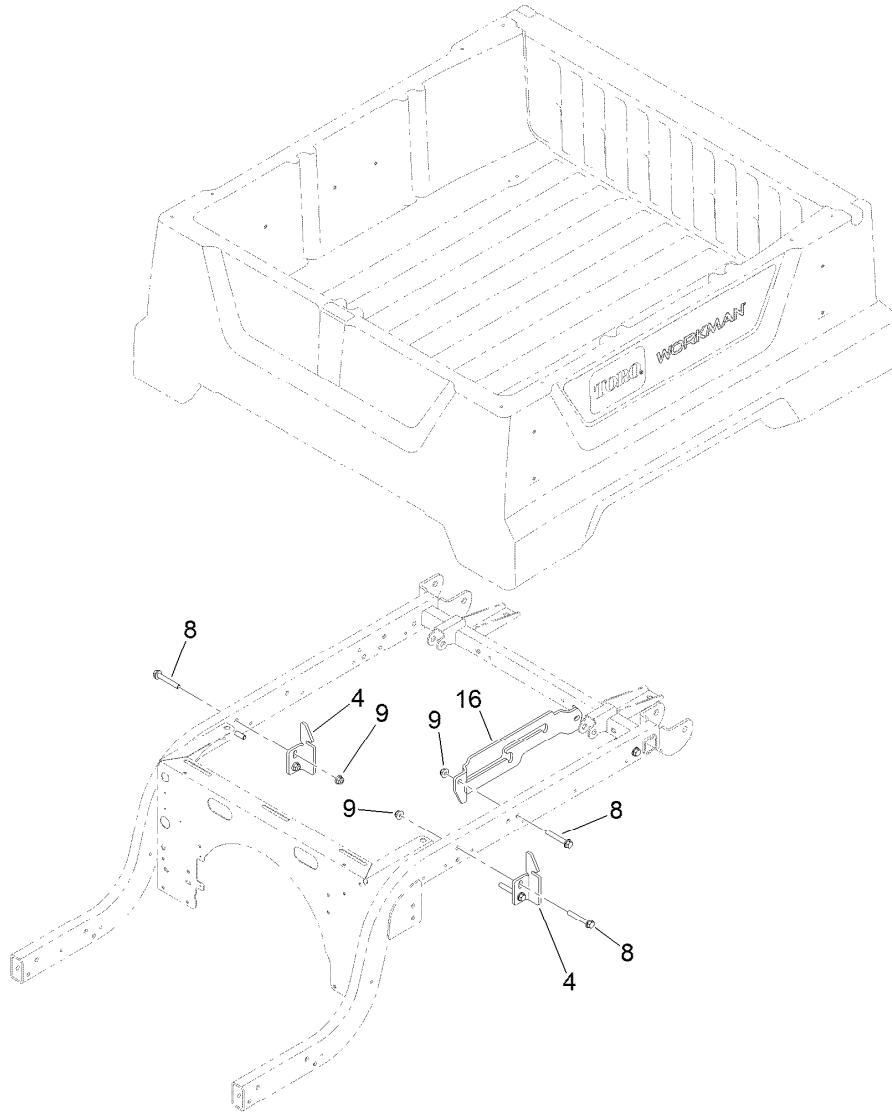
Dash Assembly

Ref.	Part Number	Qty.	Description	Ref.	Part Number	Qty.	Description
2	127-7846	1	Footboard	14	49-2040	8	Screw-HWHTF
3	127-7847	1	Cover-Footboard	15	140-4584	1	Decal-Dashboard, Gtx-Lithium
4	107-7461	2	Screw-Plastite	16	131-8412	1	Decal-Control Panel, Electric
5	127-7831-03	1	Angle	18	131-8493	1	Decal-USB
6	131-8336-03	1	Bracket-Dash, RH	20	131-8569-03	2	Bracket-Dash, Side
7	131-8335-03	1	Bracket-Dash, LH	23	104-9368	1	Plug-Dome
9	132-6777	20	Screw-TTH	26	140-2486	1	Dash-Gtx Lithium (Service)
10	104-7201	6	Nut-Flange, NI	26:2	140-4584	1	Decal-Dashboard, Gtx-Lithium
11	3256-2	2	Washer-Flat				
12	32144-70	4	Screw-HWHTF				
13	131-8568-03	1	Reinforcement-Dash				



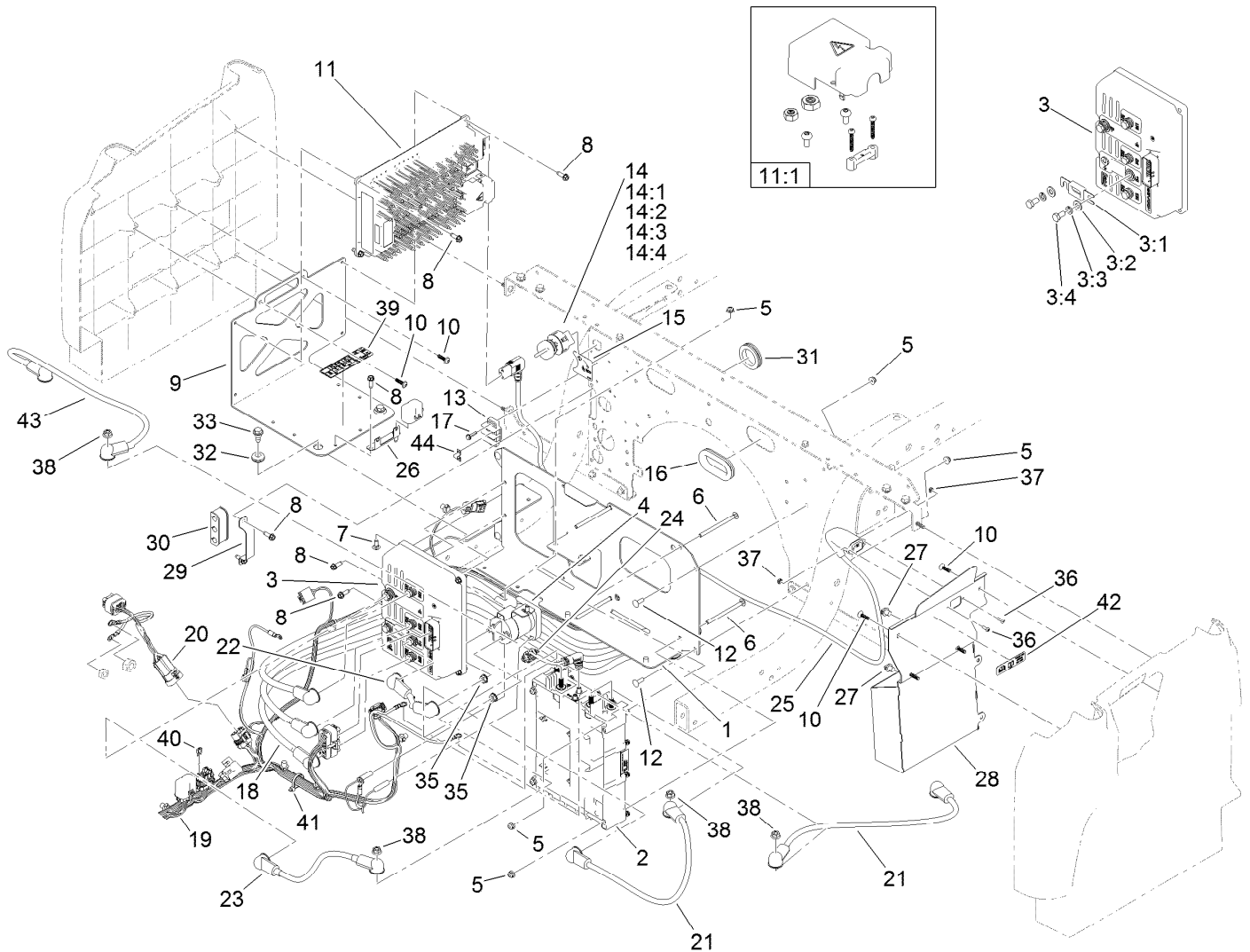
Seatbase Assembly

<i>Ref.</i>	<i>Part Number</i>	<i>Qty.</i>	<i>Description</i>	<i>Ref.</i>	<i>Part Number</i>	<i>Qty.</i>	<i>Description</i>
1	127-7805	1	Side-Base, Seat (RH)	13	127-7842-03	1	Bracket-Support, Side (LH)
2	133-7188	1	Panel-Base, Seat	14	127-7843-03	1	Bracket-Support, Side (RH)
3	127-7807	1	Side-Base, Seat (LH)	15	112-6349	5	Screw-HWH
4	133-7345-03	1	Support-Seat	16	120-2349	8	Screw
5	137-6991	1	Seat Support ASM	17	3234-33	6	Screw-HHF
5:2	120-9570	1	Decal-Warning	20	131-8352-05	1	Restraint-Hip, RH
6	127-7841-03	2	Channel-Support, Seat	21	131-8353-05	1	Restraint-Hip, LH
9	127-7844-03	2	Clamp-Plate, Floor	22	46-6810	2	Screw And Washer ASM
10	3256-22	2	Washer-Flat	23	32144-70	6	Screw-HWHTF
11	321-18	2	Screw-HH	24	104-8300	6	Nut-HF, NI
12	104-7201	8	Nut-Flange, NI				



Cargo Bed Assembly

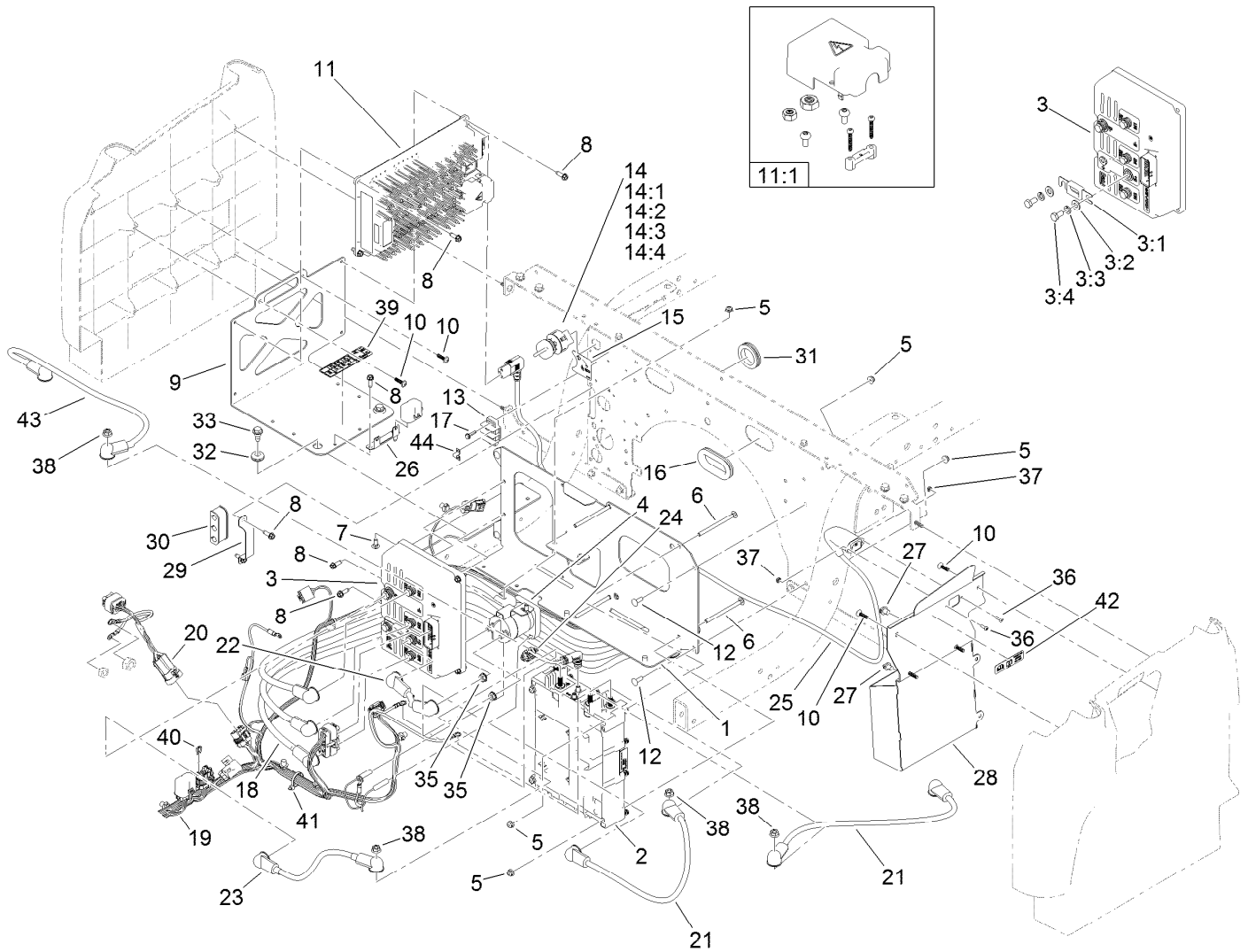
<i>Ref.</i>	<i>Part Number</i>	<i>Qty.</i>	<i>Description</i>
4	127-7428-03	2	Striker-Latch, Bed
8	3234-39	6	Screw-HHF
9	104-8301	6	Nut-HF, NI
16	132-8518	1	Bracket-Rod, Prop



Controller and Charger Assembly

Ref.	Part Number	Qty.	Description	Ref.	Part Number	Qty.	Description
1	139-4639-03	1	Bracket-Controller, Lithium	14	110-2580	1	Switch-Key, Supervisor
2	137-9651	1	Controller	14:1		1	Switch-Key ●
3	139-4600	1	Controller-Sevcon	14:2	108-8660	1	Nut-Mounting
3:1	131-8494	1	Fuse-425 Amp	14:3	110-5221	1	Set-Key, Supervisor
3:2	33094-00	6	Washer-Plain	14:4	108-8659	1	Washer-Backup
3:3	3253-4	6	Washer-Lock	15	131-8527	1	Decal-Mode
3:4	33114-016	6	Screw-HH	16	240-12	1	Grommet-Rubber
4	104-7136	1	Contactora-Trombeta	17	100-4351	2	Screw-HWH
5	104-7201	10	Nut-Flange, NI	18	122-1718	3	Battery-Cable, Positive ASM
6	139-4633	4	Screw-Carriage	19	122-1663	1	Harness-Wire, Gtx-Li
7	3229-11	2	Screw-CARR	20	122-1918	1	Harness-Wire, Gtx-Li
8	49-2040	12	Screw-HWHTF				Charger Interface
9	139-4629-03	1	Bracket-Charger, Lithium	21	122-1741	2	Cable-Battery, Positive ASM
10	120-2349	6	Screw	22	122-1743	1	Cable-Battery, Positive ASM
11	139-4645	1	Charger-48V Onboard	23	122-1745	1	Cable-Battery, Negative ASM
11:1	140-2494	1	Charger Kit-Service				ASM
12	1-807512	4	Bolt-CARR	24	122-1667	1	Harness-Wire, Interface(System)
13	42862	1	Block-Terminal, Ground				

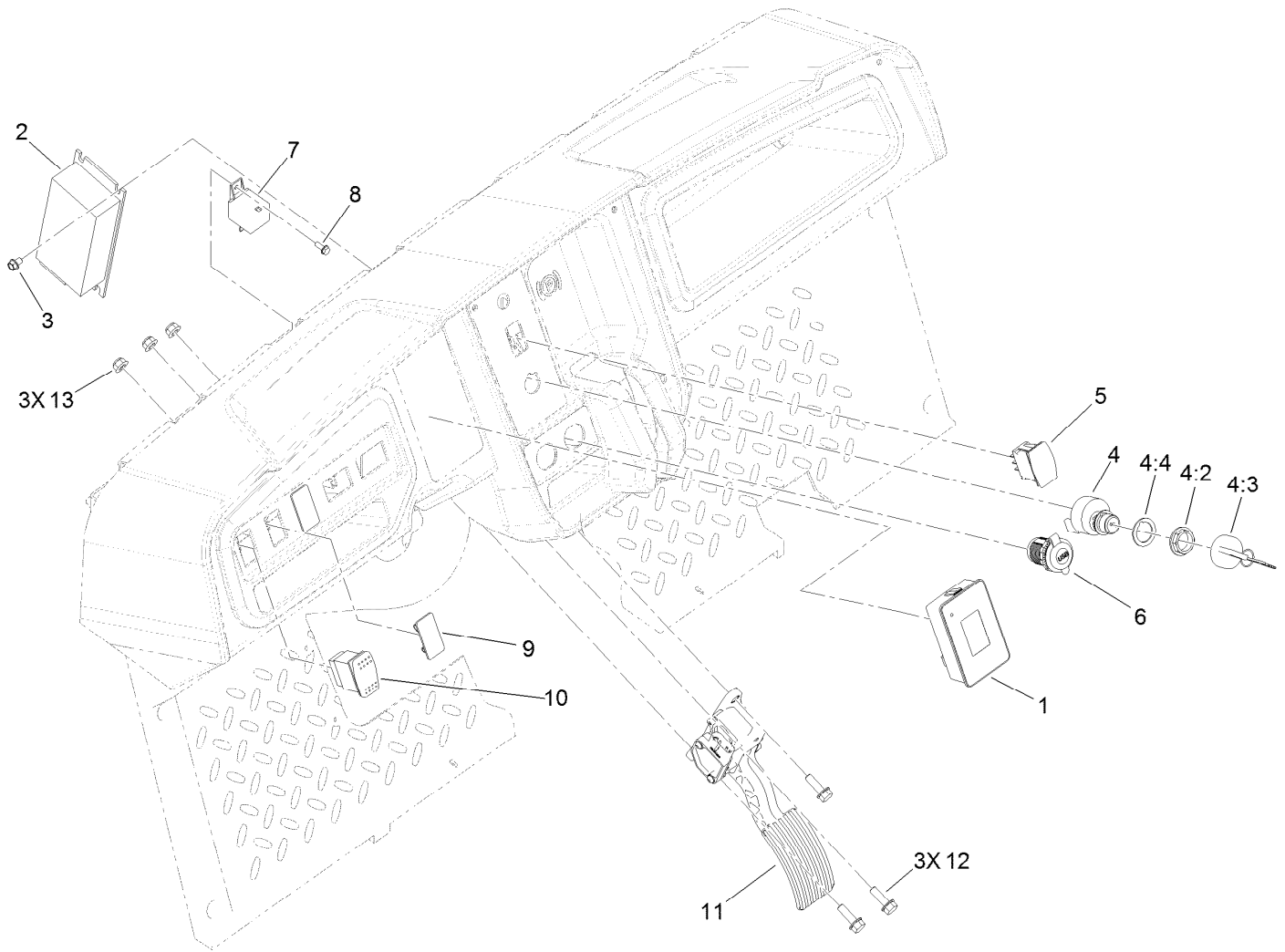
● Not serviced separately



Controller and Charger Assembly (continued)

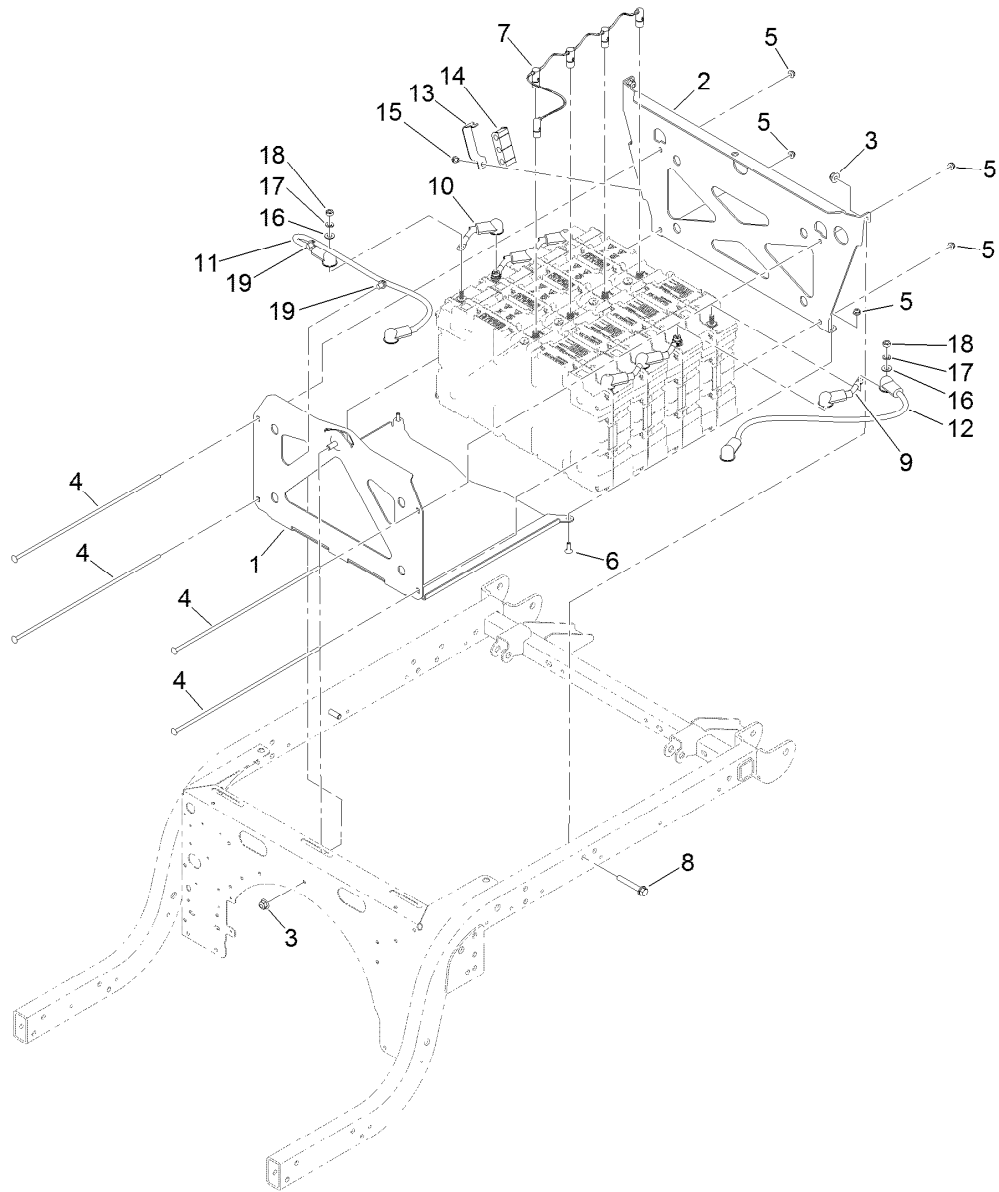
Ref.	Part Number	Qty.	Description	Ref.	Part Number	Qty.	Description
25	140-4628	1	Cordset W/Filter	36	3250-26	2	Screw-PPH
26	138-9299	1	Bracket-Fuse Block	37	3296-54	2	Nut-Lock
27	32180-030	4	Clip-Tie	38	140-2488	4	Nut-HF
28	140-2496-05	1	Bracket-Charger Outlet ASM [blk	39	140-2487	1	Decal-Fuse Block, 48V
29	140-4579	1	Retainer-Isolator	40	121-8884	1	Fuse-Mini Blade, 30 Amp
30	131-8420	1	Isolator-Clamp	41	3290-378	1	Tie-Cable
31	240-7	1	Grommet-Rubber	42	140-4590	1	Decal-Charger Input Lithium
32	1-633630	2	Grommet	43	122-1744	1	Cable-Battery, Negative ASM
33	99-5105	2	Screw-Shoulder	44	42863	1	Strip-Jumper
35	107-0380	2	Nut-HHF				

● Not serviced separately



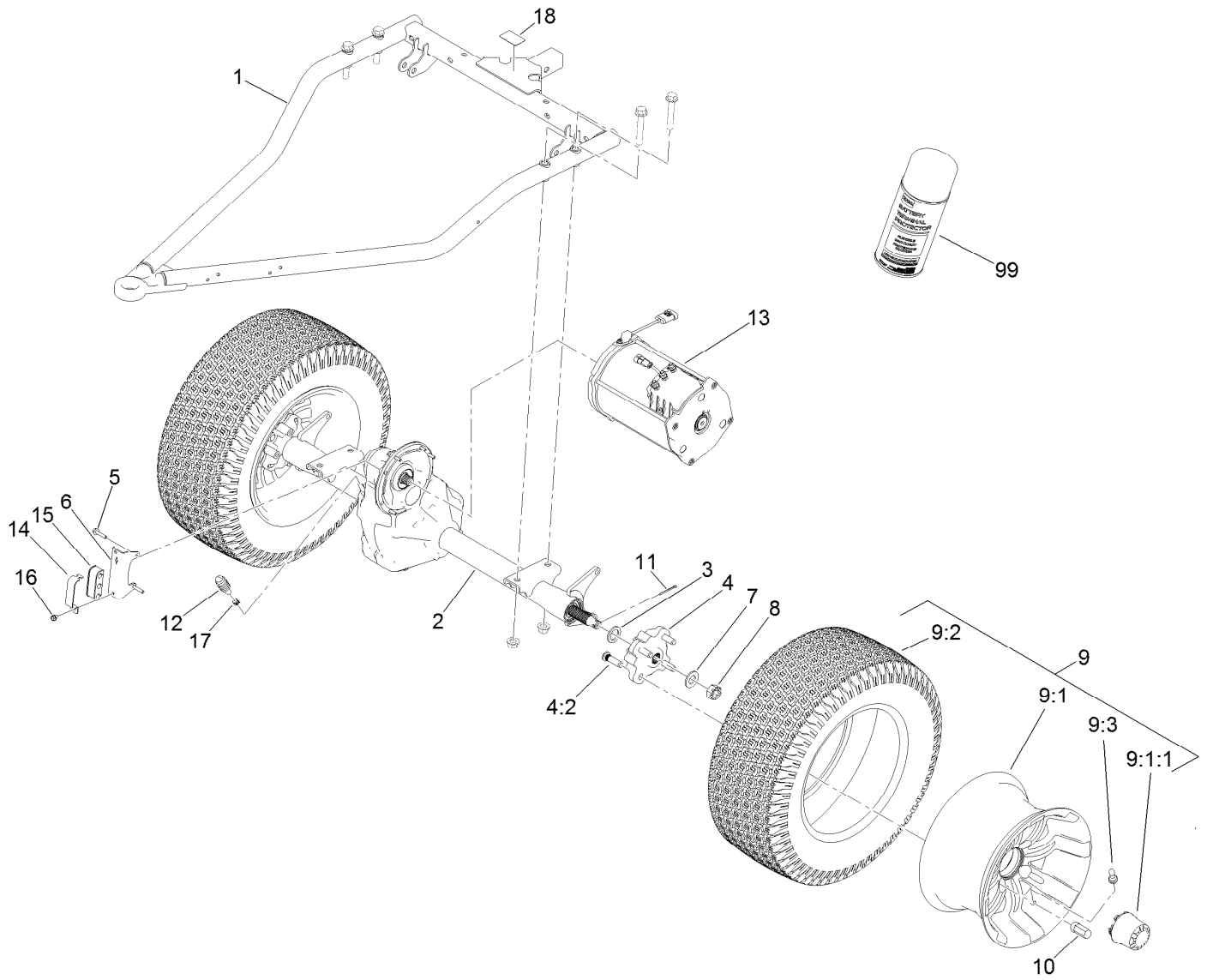
Accelerator Pedal Assembly

Ref.	Part Number	Qty.	Description	Ref.	Part Number	Qty.	Description
1	122-1709	1	Controller, Tdm-1601	6	131-8388	1	Socket-USB
2	137-7952	1	Converter-DC-DC	7	122-1488	1	Relay
3	99-8445	2	Screw-HWH	8	32144-1	1	Screw-Taptite
4	106-5269	1	Ignition Switch ASM	9	99-7420	2	Plug-Hole
4:2	108-8660	1	Nut-Mounting	10	95-8999	1	Switch
4:3	106-5270	1	Ignition Key Set	11	121-9675	1	Pedal-Accelerator
4:4	108-8659	1	Washer-Backup	12	3234-29	3	Screw-HHF
5	122-0784	1	Switch-Rocker, On-Off-On	13	104-8300	3	Nut-HF, NI



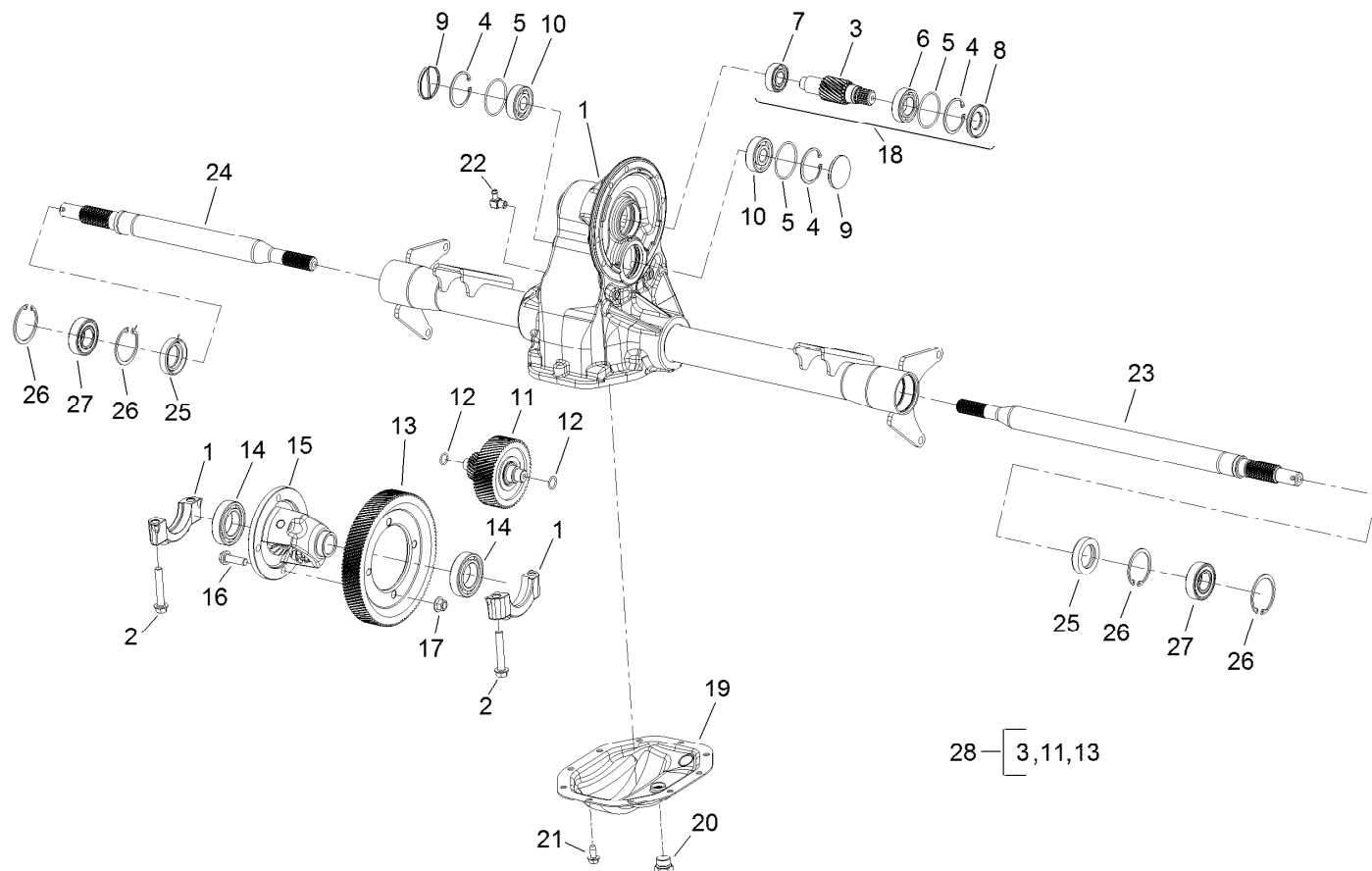
Battery Cable Assembly

<i>Ref.</i>	<i>Part Number</i>	<i>Qty.</i>	<i>Description</i>	<i>Ref.</i>	<i>Part Number</i>	<i>Qty.</i>	<i>Description</i>
1	139-4609-03	1	Front Bracket ASM [black]	11	122-1744	1	Cable-Battery, Negative ASM
2	139-4636-03	1	Bracket-Rear, Lithium	12	122-1741	1	Cable-Battery, Positive ASM
3	104-8301	3	Nut-HF, NI	13	131-8482	1	Retainer-Isolator
4	139-4628	4	Screw-CARR	14	131-8420	1	Isolator-Clamp
5	104-7201	6	Nut-Flange, NI	15	99-8445	1	Screw-HWH
6	1-807512	2	Bolt-CARR	16	107-0279	10	Washer
7	122-1716	1	Cable-Data, Samsung M/S	17	107-0280	10	Washer-Lock
8	3234-39	2	Screw-HHF	18	137-9707	10	Nut-Hex
9	122-1696	3	Cable-Battery, Positive	19	32180-030	2	Clip-Tie
10	122-1697	3	Cable-Battery, Negative				



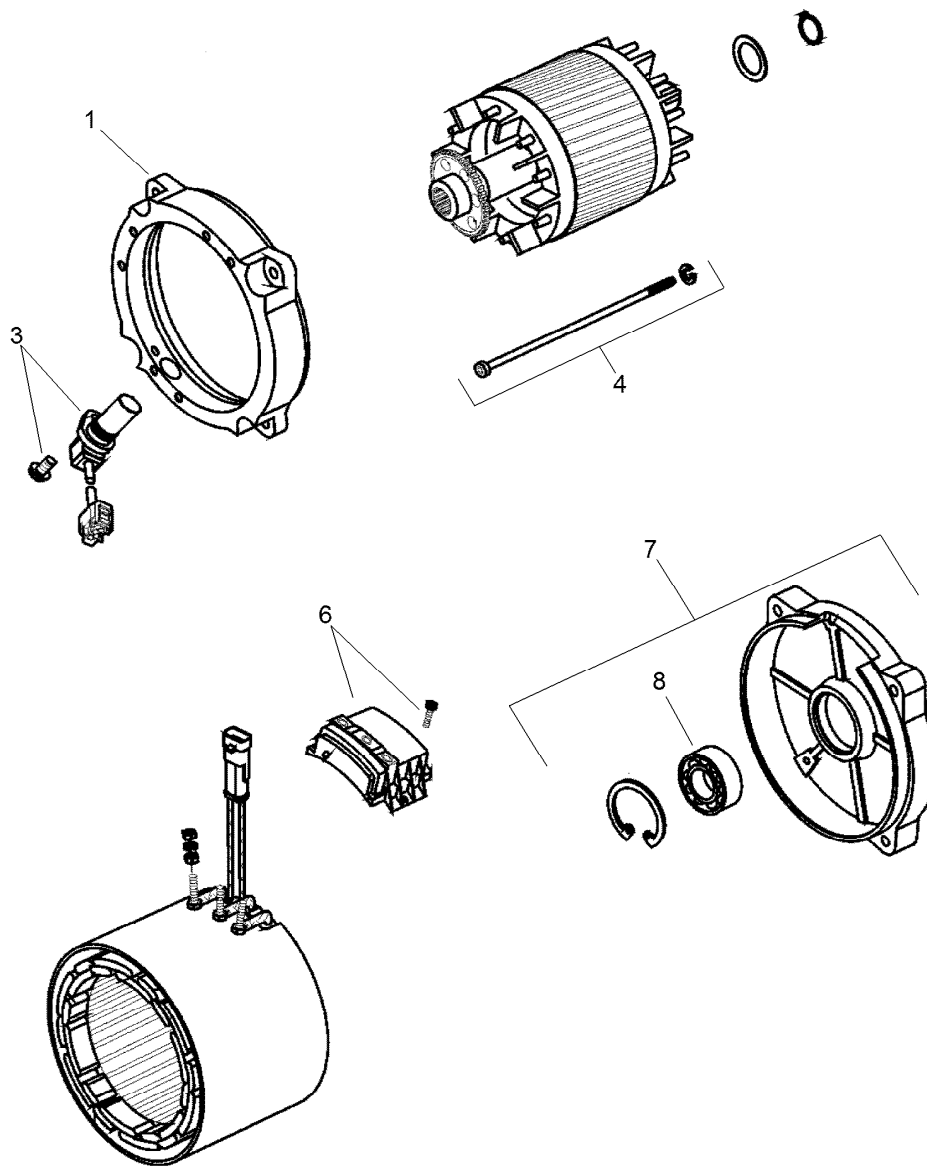
Rear Wheel and Transaxle Assembly

Ref.	Part Number	Qty.	Description	Ref.	Part Number	Qty.	Description
1	140-2568-03	1	Gtx-E Swing Arm ASM [black]	9:1:1	140-4570	1	Cap-Aluminum Wheel
2	136-6340	1	Transaxle ASM	9:2	120-3271	1	Tire
3	131-8570	2	Spacer-Hardened	9:3	232-27	1	Stem-Valve
4	127-8848	2	Rear Hub ASM	10	139-3603	8	Nut-Lug
4:2	10-6830	4	Stud-Type, Drive	11	1-806800	2	Pin-Cotter
5	33103-030	6	Screw-HHF	12	127-8859	1	Bellows-Breather
6	131-8416	1	Bracket-Cable	13	137-6936	1	Motor-AC
7	92-5836	2	Washer	14	131-8482	1	Retainer-Isolator
8	32136-5	2	Nut-Hex, Slotted	15	131-8420	1	Isolator-Clamp
9	139-4649	2	Aluminum Whl And Tire ASM	16	99-8445	1	Screw-HWH
9:1	139-4601	1	Wheel-Aluminum	17	2412-146	1	Clamp-Hose
				18	137-9984	1	Decal-Load, Towing
				99	107-0392	1	Protection-Terminal, Aerosol



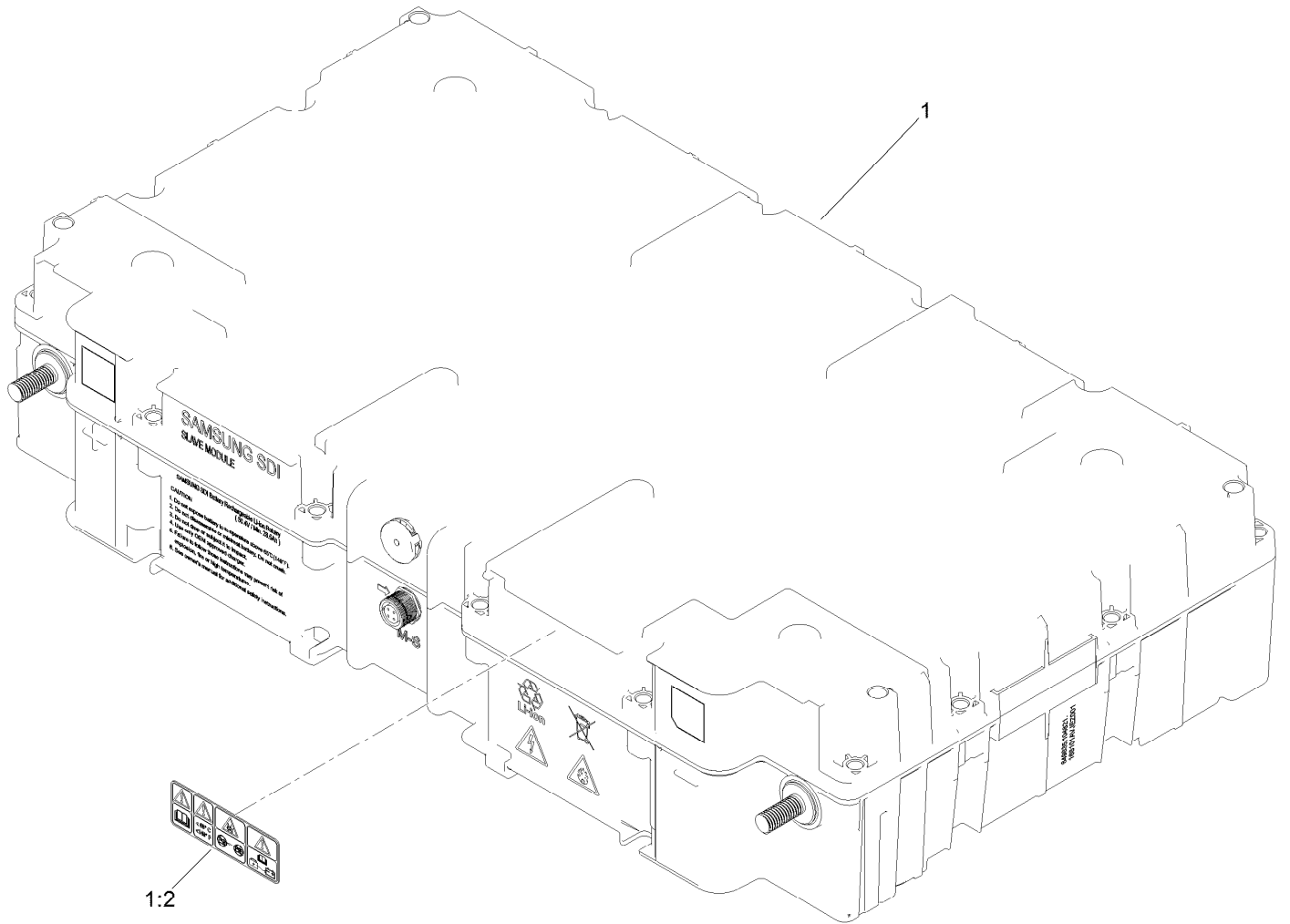
Transaxle Assembly No. 136-6340

Ref.	Part Number	Qty.	Description	Ref.	Part Number	Qty.	Description
1	133-2447	1	Housing-Axle	15	133-2461	1	Differential ASM
2	133-2448	4	Bolt-Cap, Bearing	16	133-2462	4	Bolt-HHF
3	133-2485	1	Gear-Input	17	133-2463	4	Nut-Lock
4	133-2450	3	Ring-Retaining	18	133-2487	1	Input Gear Kit
5	133-2451	3	O-Ring	19	136-6341	1	Plate-Cover
6	133-2452	1	Bearing-Ball	20	133-2466	1	Plug-HH
7	133-2453	1	Bearing-Ball	21	133-2467	10	Screw-Tapping
8	133-2454	1	Seal-Oil	22	133-2468	1	Elbow-Hose
9	133-2455	2	Plug-Cap, End	23	133-2469	1	Shaft-Axle, LH
10	133-2456	2	Bearing-Ball	24	133-2470	1	Shaft-Axle, RH
11	133-2486	1	Intermediate Gear ASM	25	112-3140	2	Seal-Oil
12	133-2458	2	O-Ring	26	133-2472	4	Ring-Retaining
13	133-2459	1	Gear-Drive, Final	27	108-2425	2	Bearing-Ball
14	133-2460	2	Bearing-Ball	28	108-2409	1	Internal Gear Kit



Electric Motor Assembly No. 137-6936

Ref.	Part Number	Qty.	Description
1	132-4924	1	Bracket-End, Drive
3	132-4925	1	Sensor
4	132-4926	1	Screw
6	132-4927	1	Plate-Connection
7	132-4928	1	Bracket-End, Rear
8	132-4929	1	Bearing



Battery Assembly No. 04070

Ref.	Part Number	Qty.	Description
1		1	Battery Service ASM ●
1:2	137-9712	1	Decal-Safety

● Not serviced separately

Attachments and Accessories

For 07413LT Workman GTX Electric Utility Vehicle

Product Name	Model/Part
Hose Reel Mounting Kit	07027
Trash Can Mounting Kit	07028
Walk Spreader Mounting Kit	07029
Bed Rack Kit	07031
ROPS Kit	07032
Cargo Bed Kit	07046
Bench Seat Base Kit	07047
Bucket Seat Base Kit	07048
Cab Kit	07142
48V Electric Lift Kit	07143
Brush Guard Kit	07145
Front Hitch Kit, Workman GTX Series Utility Vehicles with Brush Guard	07146
Front Hitch Kit, Workman GTX or MDX Series Utility Vehicles without Brush Guard	07147
Steel Flat Bed Kit	07148
Storage Box Kit	07156
6in L-Track Kit	07158
2in L-Track Kit	07159
GTX Ball Cage ROPS, Certified	07161
48V 6 Foot Bed Electric Lift Kit	07168
Canopy W/ ROPS	07169
Canopy Mount Kit, Workman GTX Utility Vehicle with Extended Flatbed	07199
Workman GTX 2-Person Canopy	07921
Folding Windshield Kit, Workman GTX Utility Vehicle with Canopy	07923
Exterior Mirror Kit	130-5448
Interior Mirror Kit	130-5449
Beacon Kit	130-5484
Work Light Kit	130-5485
Windshield Washer Fluid Kit, 2015 and after Workman MD/HD Series Utility Vehicle	130-5615
Small Seat Cover	131-6690
Reverse Alarm Kit	131-8549
Power Point Kit	131-8550
Brake and Signal Light Kit	132-8579
Power Converter Kit	133-0959
Wide Angle Mirror Kit	133-1009
Wide Angle Mirror Kit	133-1038
Horn Kit	133-3017
Bracket-Mount, Radio	133-7111-03
Mount-Ball	133-7116
Road Light and Homologation Kit	133-7128
Cab Mount Kit, Workman GTX Utility Vehicle with Extended Flatbed	133-7198
Service Hood ASM	133-7209
Door Mount Mirror Kit	136-1997
Small Bedrack Mount Grip Kit	136-6311
Large Bedrack Mount Grip Kit	136-6312
Glove Box Cover Kit	137-2883
Plate-Skid	137-2887-03

Attachments and Accessories (continued)

Ignition Switch ASM (Key1) 138-3505
Ignition Switch ASM (Key2) 138-3506
Ignition Switch ASM (Key3) 138-3507
Ignition Switch ASM (Key4) 138-3508
Ignition Switch ASM (Key5) 138-3509
Wireless Hourmeter Finish Kit 139-4627

Notes:



Count on it.