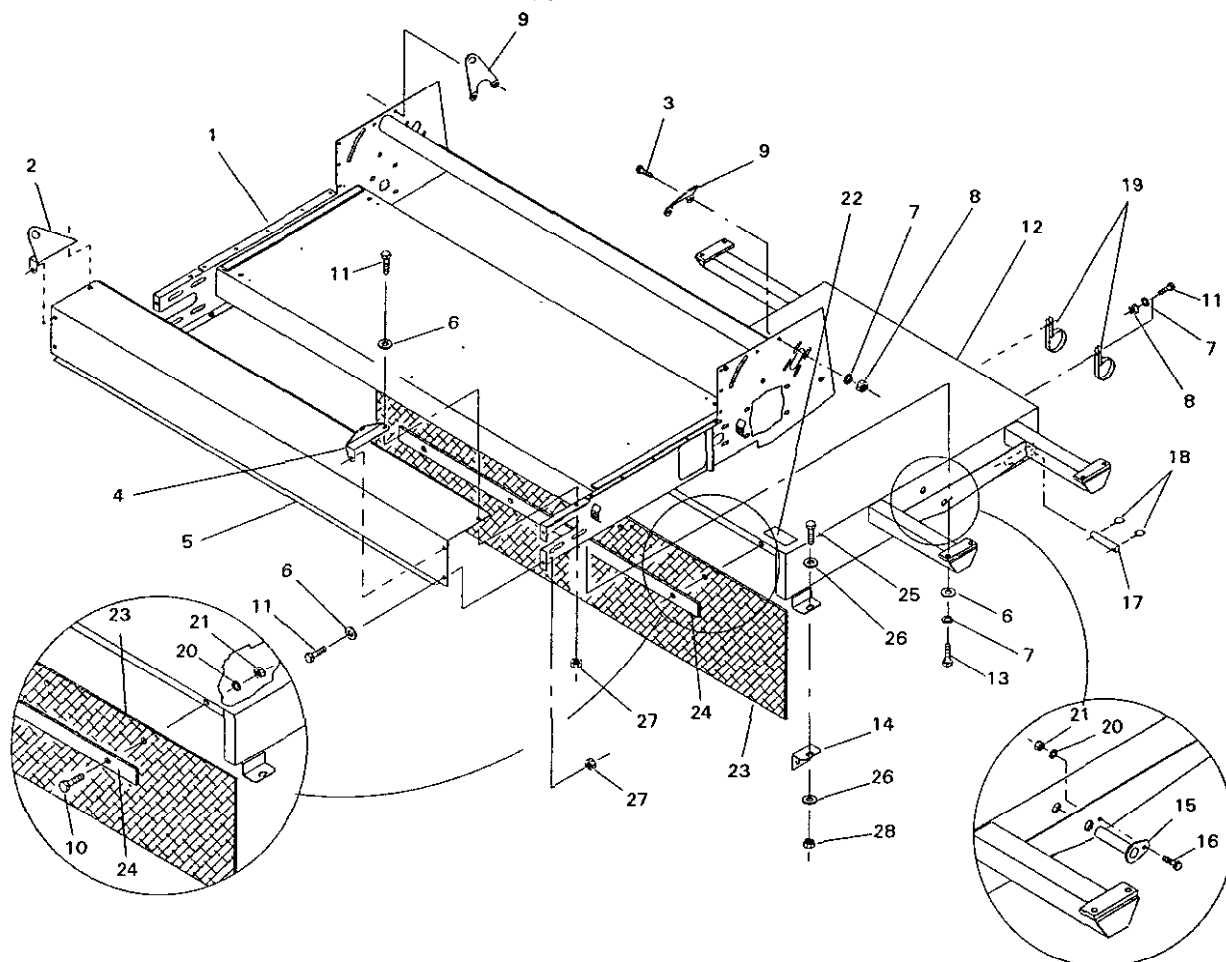




MODEL NO. 44220 - 50281 & UP

**PARTS
CATALOG**
TOPDRESSER 1800

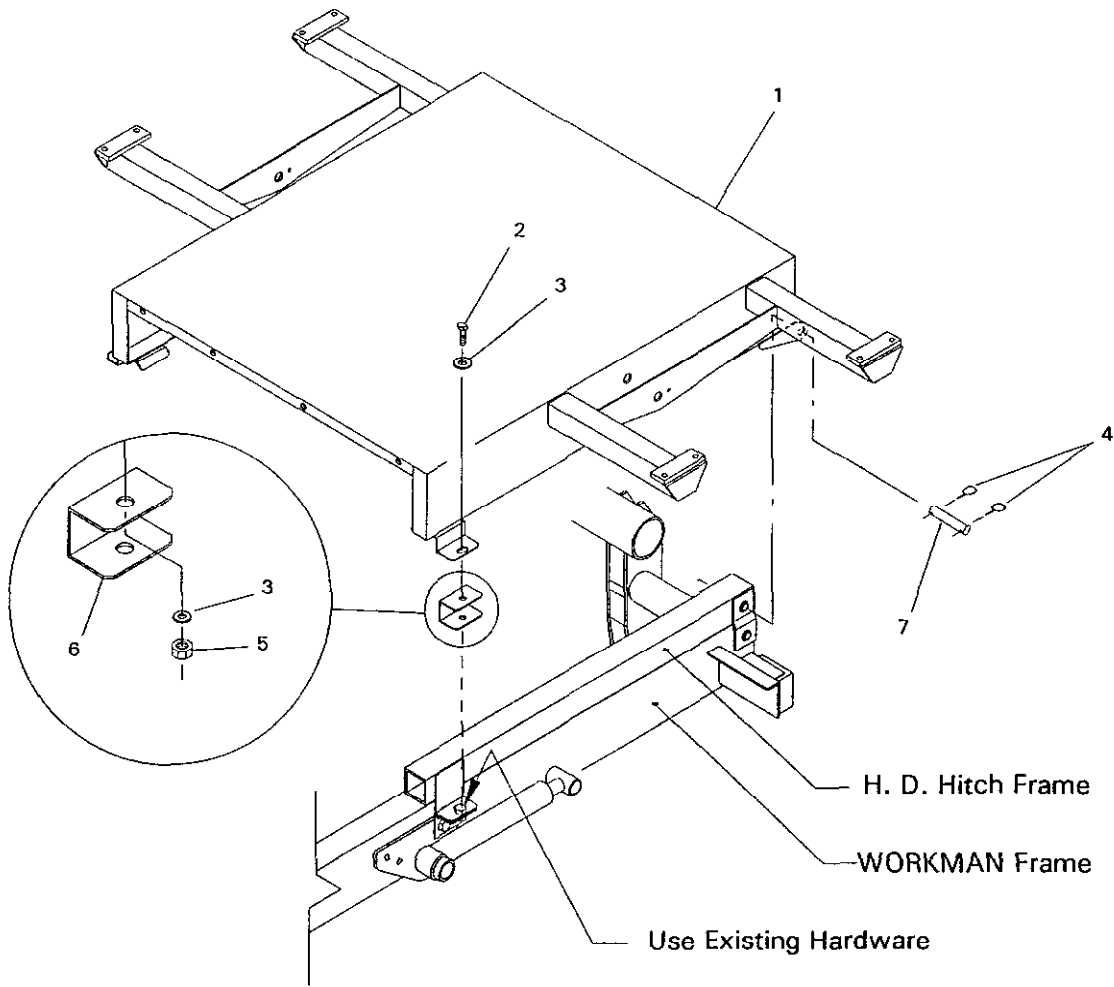
ATTACHMENT FOR WORKMAN™ 3000 SERIES


BASE & FRAME ASSEMBLY

1800-003

Ref. No.	Part No.	Description	No. Used
1	92-4350	Frame - Topdresser	1
2	92-4364	Bracket - RH Front Lift	1
3	323-6	Capscrew - Hex Hd.	4
4	92-4363	Bracket - LH Front Lift	1
5	92-4316	End - Frame	1
6	3256-4	Flat Washer	14
7	3253-5	Lock Washer	14
8	3217-7	Hex Nut	6
9	92-4362	Bracket - Rear Lift	2
10	321-6	Capscrew - Hex Hd.	4
11	323-4	Capscrew - Hex Hd.	8
12	92-4351	Base Mounting	1
13	323-7	Capscrew - Hex Hd.	8
14	92-2667	Bracket - Attachment Mount	2

Ref. No.	Part No.	Description	No. Used
15	92-4459	Pin - Cylinder	2
16	321-4	Capscrew - Hex Hd.	2
17	92-1233	Pin - Clevis	2
18	92-1298	Pin - Lynch	4
19	92-4372	Hose Retainer	2
20	3253-3	Lock Washer	6
21	3217-5	Hex Nut	6
22	01-506-0430	Decal - Replacement Manual	1
23	92-4491	Cover - Rubber	1
24	92-4492	Clamp - Rubber	1
25	325-4	Capscrew - Hex Hd.	2
26	3256-26	"SAE" Flat Washer	4
27	3296-39	Lock Nut	6
28	3296-25	Lock Nut	2

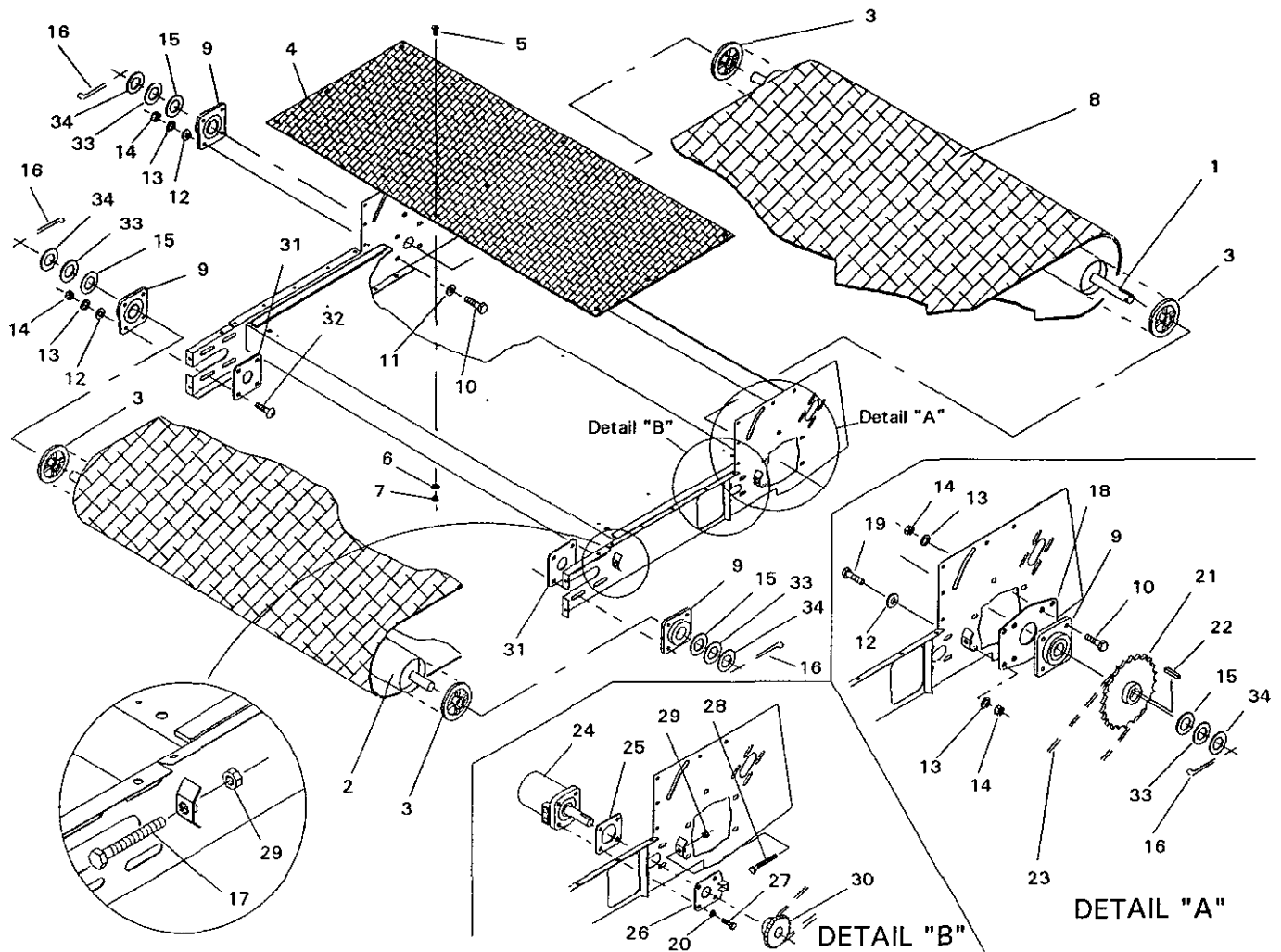


BASE MOUNTING
For Units w/H.D. Hitch Frame

1800-010

Ref. No.	Part No.	Description	No. Used
1	92-4351	Base Mounting	1
2	325-4	Capscrew - Hex Hd.	2
3	3256-26	"SAE" Flat Washer	4
4	92-1298	Pin - Lynch	4

Ref. No.	Part No.	Description	No. Used
5	3296-25	Lock Nut	2
6	92-4576	Spacer - Mount	2
7	92-1233	Pin - Clevis	2



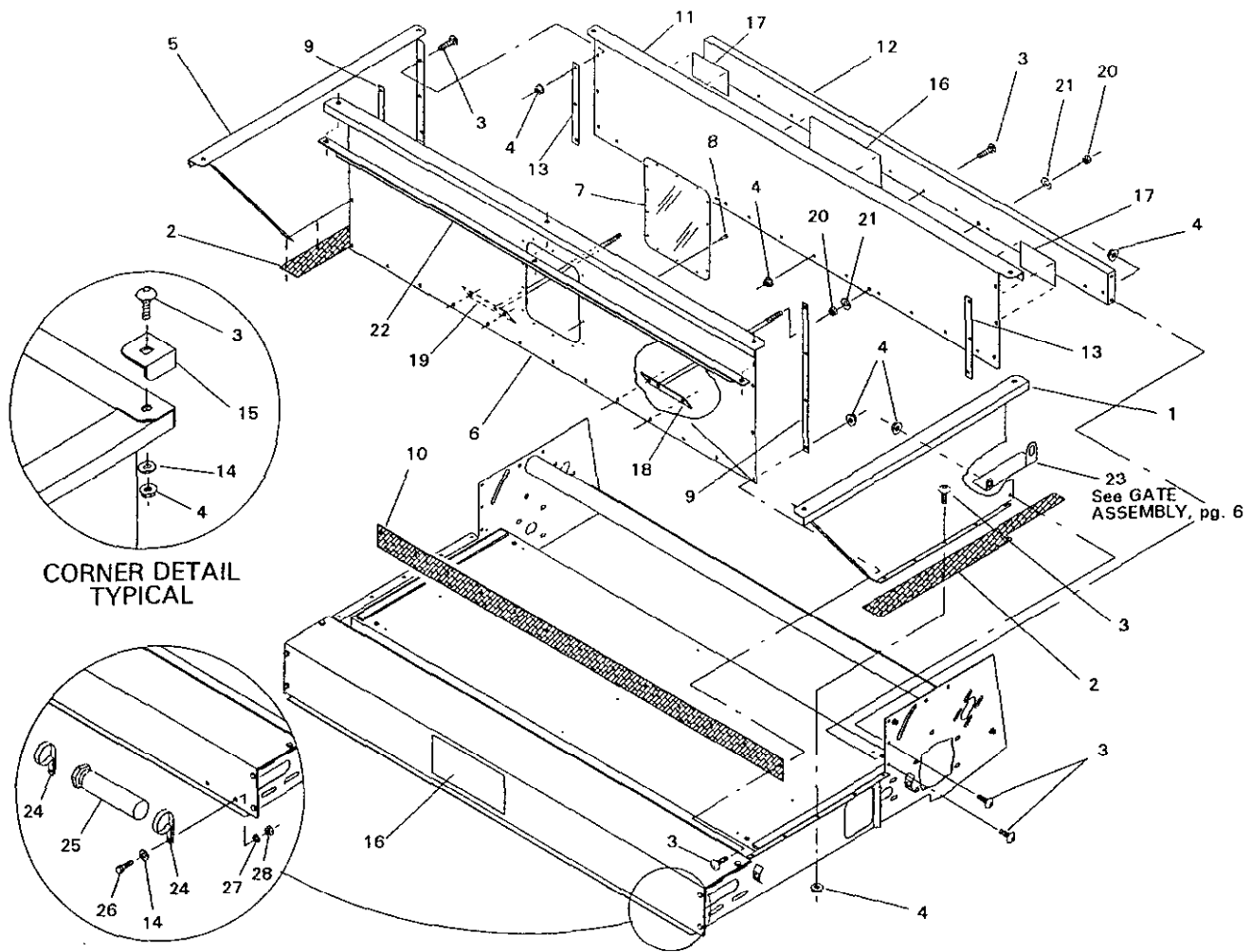
ROLLER ASSEMBLY

1800-001

Ref. No.	Part No.	Description	No. Used
1	92-4354	Roller - Drive	1
2	92-4355	Roller - Idler	1
3	01-260-1790	Sheave	4
4	92-4305	Top - Slide Bed	1
5	01-158-0280	Truss Head Machine Screw	9
6	3253-2	Lock Washer	9
7	3217-26	Hex Nut	9
8	01-271-0680	Belt - Conveyor	1
*	92-4455	Pin - Lacing	1
9	01-100-0180	Bearing	4
10	325-6	Capscrew - Hex Hd.	8
11	3256-6	Flat Washer	4
12	3256-26	"SAE" Flat Washer	16
13	3253-7	Lock Washer	20
14	3217-9	Hex Nut	20
15	01-168-2010	Machinery Bushing	4(var)
16	3272-25	Cotter Pin	4
17	01-182-0624	Capscrew - Hex Hd.	2
18	92-4302	Plate - Roller	1

Ref. No.	Part No.	Description	No. Used
19	325-4	Capscrew - Hex Hd.	4
20	3253-5	Lock Washer	4
21	01-262-0960	Sprocket - Drive Roller	1
22	56-004-2401	Key - Sq.	1
23	92-4370	Chain - Drive	1
*	01-251-0020	#50 Half Link	1
24	92-4343	Motor - Hydraulic/Conveyor	1
*	01-305-1480	Seal Kit	1
25	92-4322	Spacer - Hydraulic Motor	1
26	92-4353	Plate - Motor Adjustment	1
27	323-6	Capscrew - Hex Hd.	4
28	01-182-0616	Capscrew - Hex Hd.	1
29	3217-7	Hex Nut	2
30	01-262-0050	Sprocket - Conveyor Motor	1
31	92-4575	Plate - Bearing	2
32	01-158-2250	Carriage Bolt	8
33	01-168-2014	Machinery Bushing	4(var)
34	01-168-2018	Machinery Bushing	4(var)

* Not Illustrated



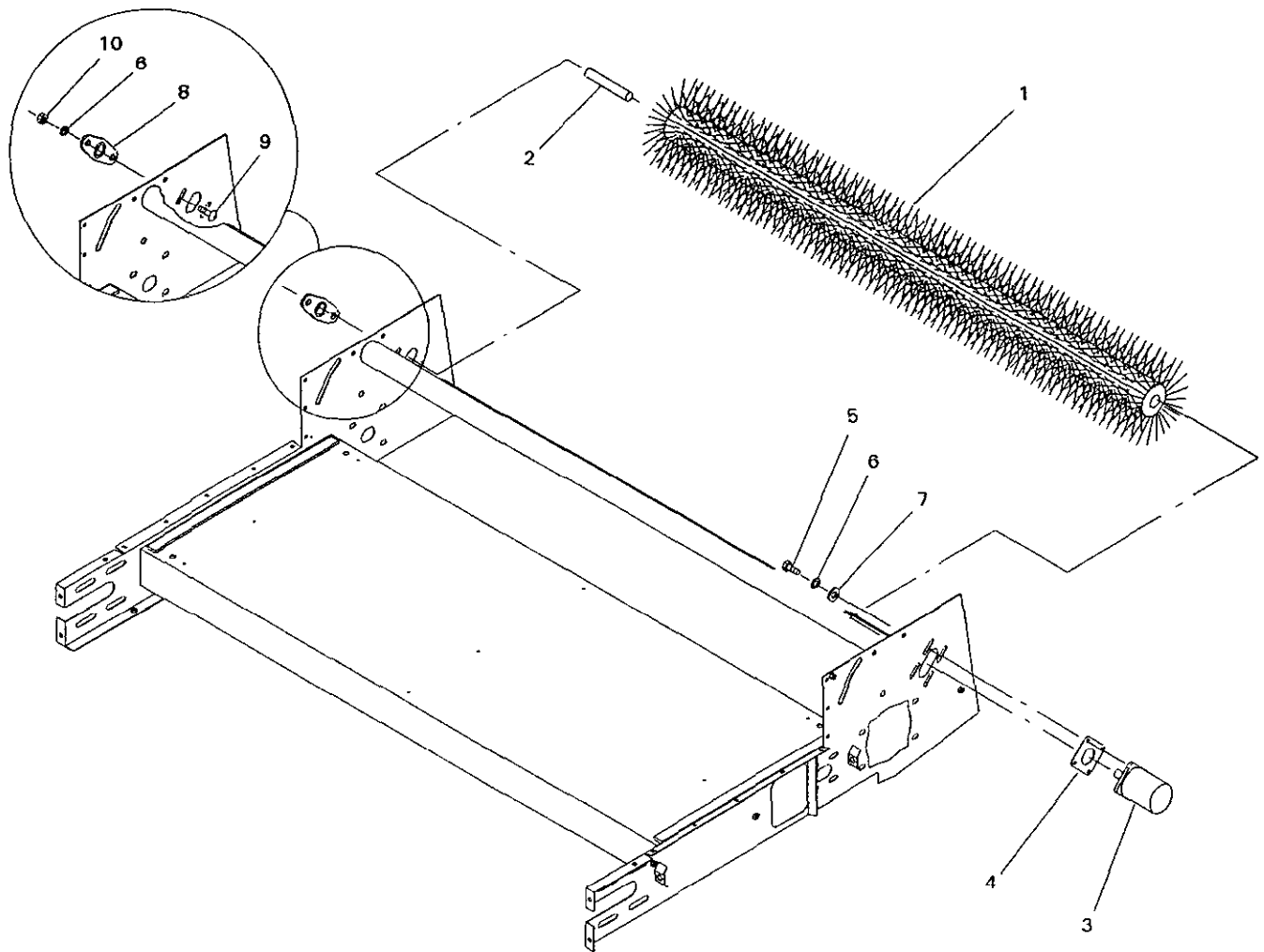
HOPPER & MANUAL TUBE ASSEMBLY

1800-002

Ref. No.	Part No.	Description	No. Used
1	92-4318	Hopper Side - LH	1
2	92-4297	Skirt - Side	2
3	3229-11	Carriage Bolt	59
4	32128-33	Lock Nut - Flange	59
5	92-4319	Hopper Side - RH	1
6	92-4320	Hopper Front	1
7	23-004-0981	Hopper Window	1
8	01-161-0040	Pop Rivet	14
9	92-4346	Strip - Corner Hopper	2
10	92-4298	Skirt - Front	1
11	92-4321	Hopper Back	1
12	92-4359	Brace - Hopper	1
13	92-4347	Strip - Hopper Back	2
14	3256-2	Flat Washer	6
15	23-005-0961	Corner Guard	4

Ref. No.	Part No.	Description	No. Used
16	62-7400	Decal - Toro	2
17	92-4368	Decal - Warning	2
18	92-4463	Support - Hopper LH	1
19	92-4464	Support - Hopper RH	1
20	3217-7	Hex Nut	4
21	3256-4	Flat Washer	4
22	92-4493	Brace - Hopper Front	1
23	92-4518	Skirt - Left Side	1
*	92-4517	Skirt - Right Side	1
24	2412-133	R-Clamp	2
25	74-0720	Manual Tube	1
26	321-4	Capscrew - Hex Hd.	2
27	3253-3	Lock Washer	2
28	3217-5	Hex Nut	2

* Not Illustrated

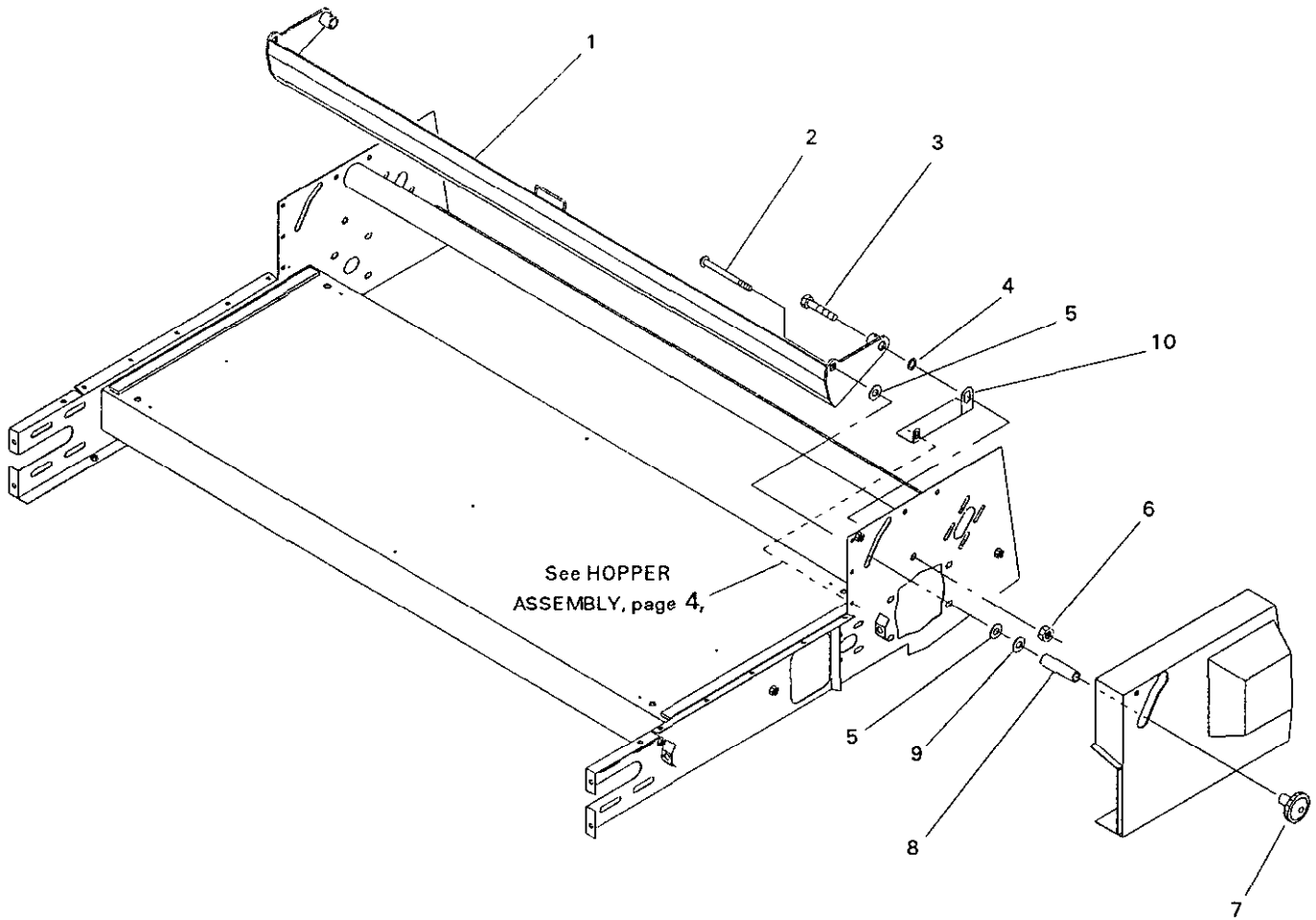


1800-004

BRUSH ASSEMBLY

Ref. No.	Part No.	Description	No. Used	Ref. No.	Part No.	Description	No. Used
1	01-286-0440	Brush	1	6	3253-5	Lock Washer	6
2	23-004-0831	Brush Shaft	1	7	3256-4	Flat Washer	4
3	92-4344	Motor - Hydraulic/Brush	1	8	01-100-0160	Bearing	1
*	01-305-1490	Seal Kit	1	9	3231-2	Carriage Bolt	2
4	92-4322	Spacer - Hydraulic Motor	1	10	3217-7	Hex Nut	2
5	323-6	Capscrew - Hex Hd.	4				

* Not Illustrated



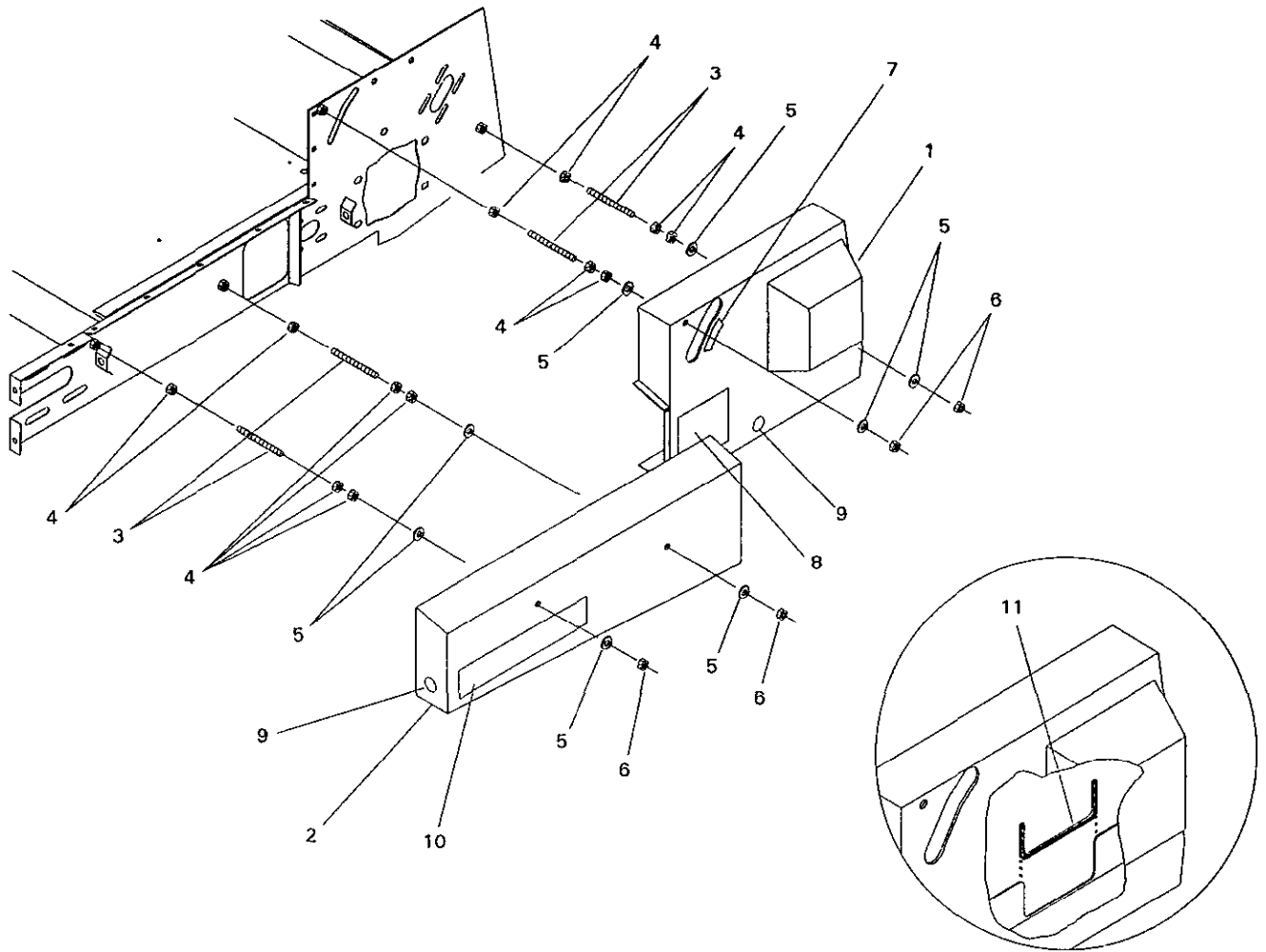
GATE ASSEMBLY

1800-005

Ref. No.	Part No.	Description	No. Used
1	92-4352	Gate	1
2	3233-7	Carriage Bolt	2
3	01-178-1218	Capscrew - Hex Hd.	2
4	92-4330	Washer - Pivot	2
5	23-004-0721	Washer-UHMW	4
6	01-189-1210	Lock Nut	2

Ref. No.	Part No.	Description	No. Used
7	01-256-0200	Knob - Gate	2
8	92-4371	Tube - Gate Adjustment	2
9	3256-6	Flat Washer	2
10	92-4518	Skirt - Left Side	1
*	92-4517	Skirt - Right Side	1

*Not Illustrated

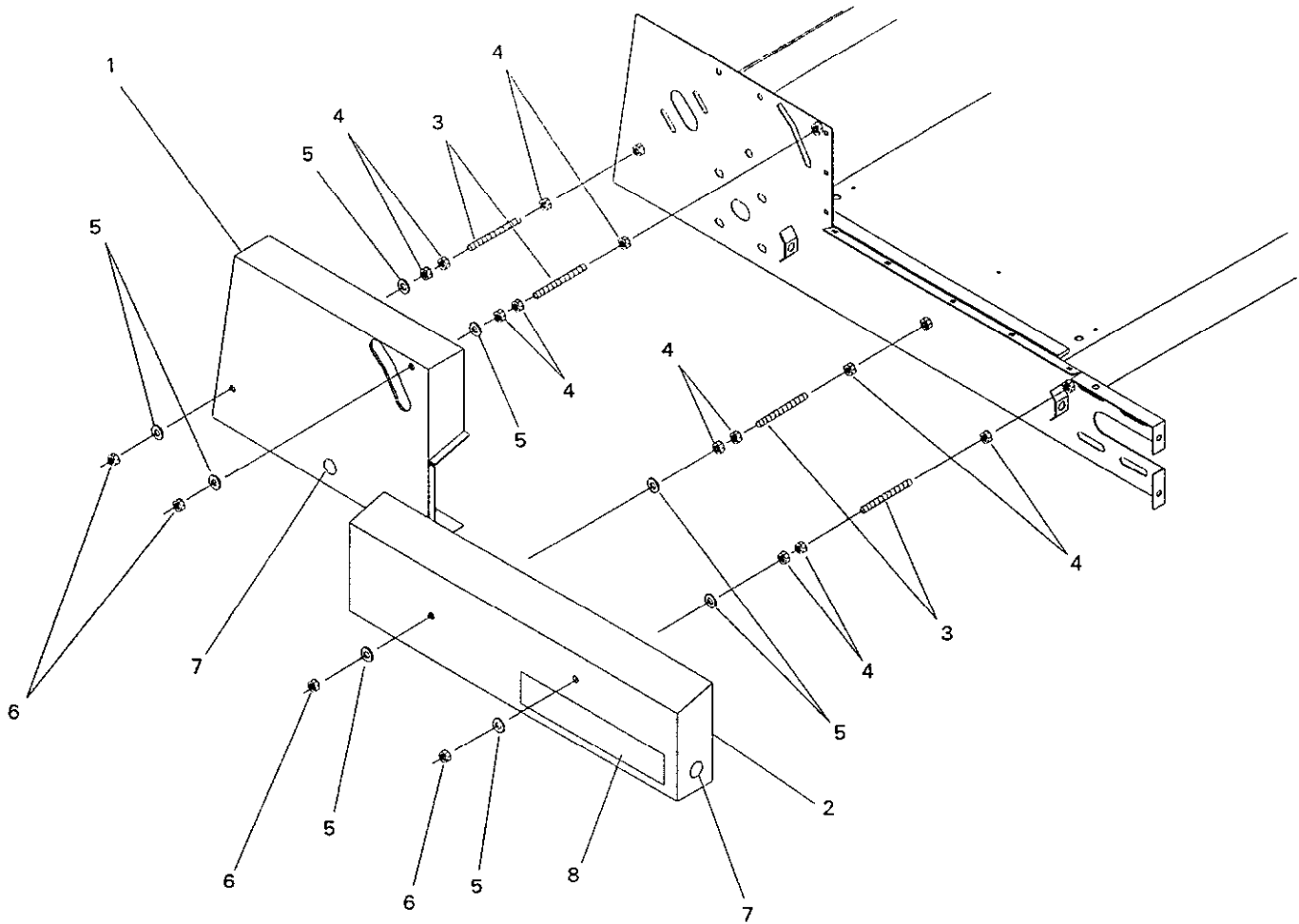


LEFT HAND GUARD ASSEMBLY

1800-008

Ref. No.	Part No.	Description	No. Used
1	92-4572	Guard - Chain (LH Side)	1
2	92-4573	Guard - LH Side	1
3	01-650-0080	All Thread	4
4	3217-7	Hex Nut	12
5	3256-4	Flat Washer	8
6	3296-59	Lock Nut	4

Ref. No.	Part No.	Description	No. Used
7	92-4443	Decal - Gauge	1
8	01-506-0050	Decal - Danger	1
9	58-6520	Decal - Grease	2
10	01-506-1180	Decal - Topdresser 1800	1
11	92-4574	Cover - Edge	1

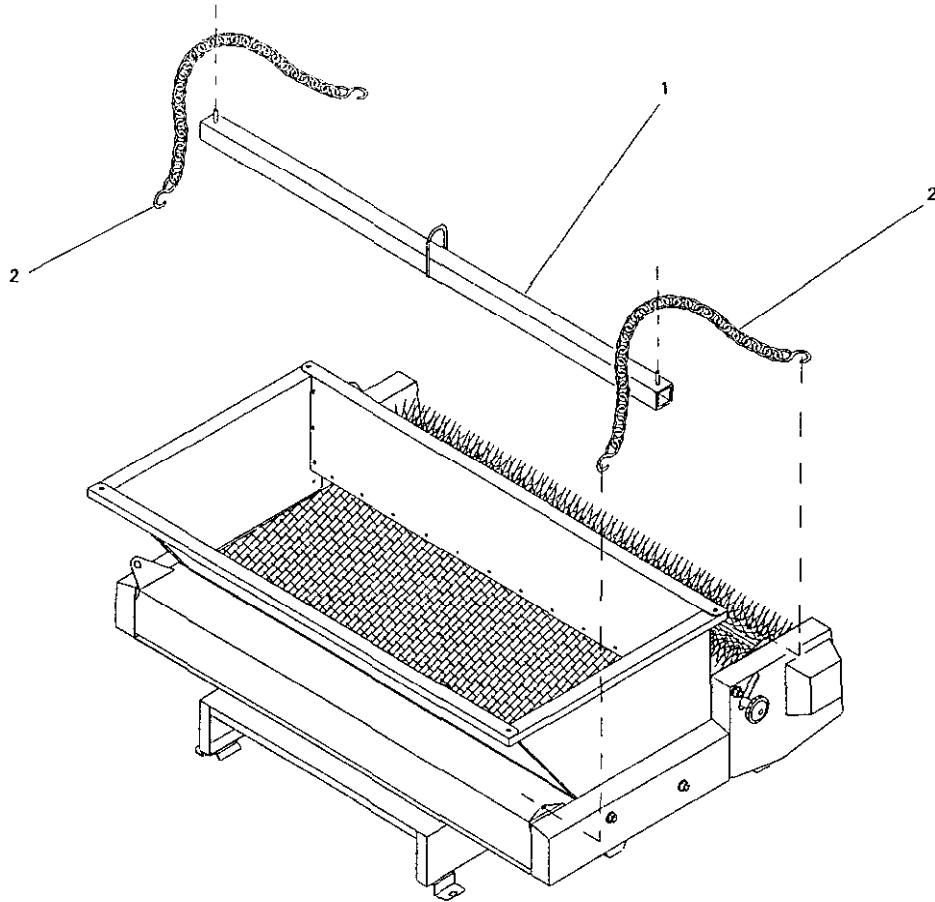


RIGHT HAND GUARD ASSEMBLY

1800-009

Ref. No.	Part No.	Description	No. Used
1	92-4357	Guard-RH Rear	1
2	92-4361	Guard - RH Side	1
3	01-650-0050	All Thread	4
4	3217-7	Hex Nut	12

Ref. No.	Part No.	Description	No. Used
5	3256-4	Flat Washer	8
6	3296-59	Lock Nut	4
7	58-6520	Decal - Grease	2
8	01-506-1180	Decal - Topdresser 1800	1

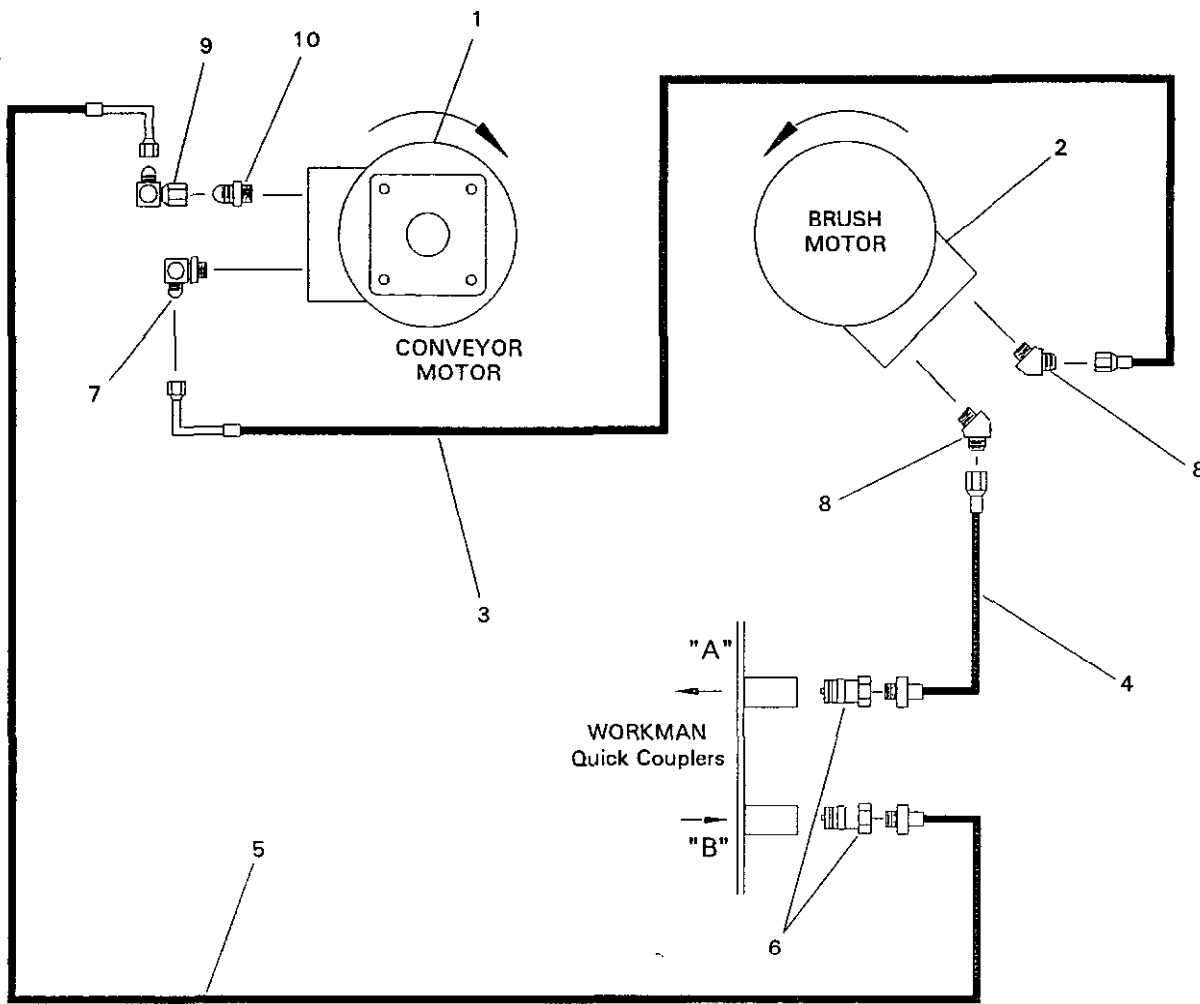


OPTIONAL LIFT KIT - NO. 92-4452

1800-007

Ref. No.	Part No.	Description	No. Used
1	92-4448	Bracket - Lift	1

Ref. No.	Part No.	Description	No. Used
2	92-4453	Chain - Lift	2



HYDRAULIC SCHEMATIC

1800-006

Ref. No.	Part No.	Description	No. Used
1	92-4343	Hydraulic Motor - Conveyor	1
*	01-305-1480	Seal Kit	1
2	92-4344	Hydraulic Motor - Brush	1
*	01-305-1490	Seal Kit	1
3	01-312-5570	Hydraulic Hose	1
4	01-312-5550	Hydraulic Hose	1

Ref. No.	Part No.	Description	No. Used
5	01-312-5560	Hydraulic Hose	1
6	92-2672	Quick Disconnect - Male	2
7	01-201-1580	Hydraulic Fitting, 90° elbow	1
8	01-201-1190	Hydraulic Fitting, 45° elbow	2
9	01-201-2410	Hydraulic Fitting, 90° elbow	1
10	01-201-1350	Hydraulic Fitting, connector	1

* Not Illustrated

PART NUMBER INDEX

Part No.	Description	Pg. No.	Ref. No.	Qty.	Part No.	Description	Pg. No.	Ref. No.	Qty.
01-100-0160	Bearing	5	8	1	3231-2	Carriage Bolt	5	9	2
01-100-0180	Bearing	3	9	4	3233-7	Carriage Bolt	6	2	2
01-158-0280	Truss Head Machine Screw	3	5	9	325-4	Capscrew - Hex Hd.	1	25	2
01-158-2250	Carriage Bolt	3	32	8	325-4	Capscrew - Hex Hd.	2	2	2
01-161-0040	Pop Rivet	4	8	14	325-4	Capscrew - Hex Hd.	3	19	4
01-168-2010	Machinery Bushing	3	15	4	325-6	Capscrew - Hex Hd.	3	10	8
01-168-2014	Machinery Bushing	3	33	4	3253-2	Lock Washer	3	6	9
01-168-2018	Machinery Bushing	3	34	4	3253-3	Lock Washer	1	20	6
01-178-1218	Capscrew - Hex Hd.	6	3	2	3253-3	Lock Washer	4	27	2
01-182-0616	Capscrew - Hex Hd.	3	28	1	3253-5	Lock Washer	1	7	14
01-182-0624	Capscrew - Hex Hd.	3	17	2	3253-5	Lock Washer	3	20	4
01-189-1210	Lock Nut	6	6	2	3253-5	Lock Washer	5	6	6
01-201-1190	Hydraulic Fitting	10	8	2	3253-7	Lock Washer	1	27	2
01-201-1350	Hydraulic Fitting	10	10	1	3253-7	Lock Washer	3	13	20
01-201-1580	Hydraulic Fitting	10	7	1	3256-2	Flat Washer	4	14	6
01-201-2410	Hydraulic Fitting	10	9	1	3256-26	"SAE" Flat Washer	1	26	4
01-251-0020	#50 Half Link	3	*	1	3256-26	"SAE" Flat Washer	2	3	4
01-256-0200	Knob - Gate	6	7	2	3256-26	"SAE" Flat Washer	3	12	16
01-260-1790	Sheave	3	3	4	3256-4	Flat Washer	1	6	14
01-262-0050	Sprocket - Conveyor Motor	3	30	1	3256-4	Flat Washer	4	21	4
01-262-0960	Sprocket - Drive Roller	3	21	1	3256-4	Flat Washer	5	7	4
01-271-0680	Belt - Conveyor	3	8	1	3256-4	Flat Washer	7	5	8
01-286-0440	Brush	5	1	1	3256-4	Flat Washer	8	5	8
01-305-1480	Seal Kit	3	*	1	3256-6	Flat Washer	3	11	4
01-305-1480	Seal Kit	10	*	1	3256-6	Flat Washer	6	9	2
01-305-1490	Seal Kit	5	*	1	3272-25	Cotter Pin	3	16	4
01-305-1490	Seal Kit	10	*	1	3296-25	Hex Nut	1	28	2
01-312-5550	Hydraulic Hose	10	4	1	3296-25	Lock Nut	2	5	2
01-312-5560	Hydraulic Hose	10	5	1	3296-39	Lock Nut	1	27	6
01-312-5570	Hydraulic Hose	10	3	1	3296-59	Lock Nut	7	6	4
01-506-0050	Decal - Danger	7	8	1	3296-59	Lock Nut	8	6	4
01-506-0430	Decal - Replacement Manual	1	22	1	56-004-2401	Key - Sq.	3	22	1
01-506-1180	Decal - Topdresser 1800	7	10	1	58-6520	Decal - Grease	7	9	2
01-506-1180	Decal - Topdresser 1800	8	8	1	58-6520	Decal - Grease	8	7	2
01-650-0050	All Thread	8	3	4	62-7400	Decal - Toro	4	16	2
01-650-0080	All Thread	7	3	4	74-0720	Manual Tube	4	25	1
23-004-0721	Washer-UHMW	6	5	4	92-1233	Pin - Clevis	1	17	2
23-004-0831	Brush Shaft	5	2	1	92-1233	Pin - Clevis	2	7	2
23-004-0981	Hopper Window	4	7	1	92-1298	Pin - Lynch	1	18	4
23-005-0961	Corner Guard	4	15	4	92-1298	Pin - Lynch	2	4	4
2412-133	R-Clamp	4	24	2	92-2667	Bracket - Attachment Mount	1	14	2
321-4	Capscrew - Hex Hd.	1	16	2	92-2672	Quick Disconnect - Male	10	6	2
321-4	Capscrew - Hex Hd.	4	26	2	92-4297	Skirt - Side	4	2	2
321-6	Capscrew - Hex Hd.	1	10	4	92-4298	Skirt - Front	4	10	1
32128-33	Lock Nut - Flange	4	4	59	92-4302	Plate - Roller	3	18	1
3217-26	Hex Nut	3	7	9	92-4305	Top - Slide Bed	3	4	1
3217-5	Hex Nut	1	21	6	92-4316	End - Frame	1	5	1
3217-5	Hex Nut	4	28	2	92-4318	Hopper Side - LH	4	1	1
3217-7	Hex Nut	1	8	6	92-4319	Hopper Side - RH	4	5	1
3217-7	Hex Nut	3	29	2	92-4320	Hopper Front	4	6	1
3217-7	Hex Nut	4	20	4	92-4321	Hopper Back	4	11	1
3217-7	Hex Nut	5	10	2	92-4322	Spacer - Hydraulic Motor	3	25	1
3217-7	Hex Nut	7	4	12	92-4322	Spacer - Hydraulic Motor	5	4	1
3217-7	Hex Nut	8	4	12	92-4330	Washer - Pivot	6	4	2
3217-9	Hex Nut	3	14	20	92-4343	Hydraulic Motor - Conveyor	10	1	1
3229-11	Carriage Bolt	4	3	59	92-4343	Motor - Hydraulic/Conveyor	3	24	1
323-4	Capscrew - Hex Hd.	1	11	8	92-4344	Hydraulic Motor - Brush	10	2	1
323-6	Capscrew - Hex Hd.	1	3	4	92-4344	Motor - Hydraulic/Brush	5	3	1
323-6	Capscrew - Hex Hd.	3	27	4	92-4346	Strip - Corner Hopper	4	9	2
323-6	Capscrew - Hex Hd.	5	5	4	92-4347	Strip - Hopper Back	4	13	2
323-7	Capscrew - Hex Hd.	1	13	8	92-4350	Frame - Topdresser	1	1	1

* Not Illustrated

PART NUMBER INDEX (Continued)

Part No.	Description	Pg. No.	Ref. No.	Qty.	Part No.	Description	Pg. No.	Ref. No.	Qty.
92-4351	Base Mounting	1	12	1	92-4453	Chain - Lift	9	2	2
92-4351	Base Mounting	2	1	1	92-4455	Pin - Lacing	3	*	1
92-4352	Gate	6	1	1	92-4459	Pin - Cylinder	1	15	2
92-4353	Plate - Motor Adjustment	3	26	1	92-4463	Support - Hopper LH	4	18	1
92-4354	Roller - Drive	3	1	1	92-4464	Support - Hopper RH	4	19	1
92-4355	Roller - Idler	3	2	1	92-4491	Cover - Rubber	1	23	1
92-4357	Guard-RH Rear	8	1	1	92-4492	Clamp - Rubber	1	24	1
92-4359	Brace - Hopper	4	12	1	92-4493	Brace - Hopper Front	4	22	1
92-4361	Guard - RH Side	8	2	1	92-4518	Skirt - Left Side	4	23	1
92-4362	Bracket - Rear Lift	1	9	2	92-4517	Skirt - Right Side	4	*	1
92-4363	Bracket - LH Front Lift	1	4	1	92-4518	Skirt - Left Side	6	10	1
92-4364	Bracket - RH Front Lift	1	2	1	92-4517	Skirt - Right Side	6	*	1
92-4368	Decal - Warning	4	17	2	92-4572	Guard - Chain (LH Side)	7	1	1
92-4370	Chain - Drive	3	23	1	92-4573	Guard - LH Side	7	2	1
92-4371	Tube - Gate Adjustment	6	8	2	92-4574	Cover - Edge	7	11	1
92-4372	Hose Retainer	1	19	2	92-4575	Plate - Bearing	3	31	2
92-4443	Decal - Gauge	7	7	1	92-4576	Spacer - Mount	2	6	2
92-4448	Bracket - Lift	9	1	1					

* Not Illustrated

PRODUCT CHANGES

In an effort to make improvements available to TORO owners as quickly as possible minor changes are incorporated into Toro's products from time to time that do not become immediately shown in the Parts Catalog. If such a change has been made in your unit which is not reflected in your manual see your TORO Distributor or an Authorized Service Dealer for information and part numbers.

IDENTIFICATION & ORDERING

MODEL AND NUMBERS

The TORO TOPDRESSER 1800 has two identification numbers; a model number and a serial number. The two numbers are stamped on a plate which is located on the base. In any correspondence concerning the Topdresser 1800, supply model and serial numbers to assure that correct information and replacement parts are obtained.

To order replacement parts from your TORO Distributor or an Authorized Service Dealer, supply the following information:

1. Model and serial number of the unit.
2. Part number description and the quantity of part (s) desired.

NOTE: Do not order by reference number if a parts catalog is being used: use the PART NUMBER.

TABLE OF CONTENTS

Description	Page	Description	Page
Base & Frame Assembly	1	Left Hand Guard Assembly	7
Base Mounting(For Units w/H.D. Hitch Frame).	2	Right Hand Guard Assembly.	8
Roller Assembly	3	Optional Lift Kit - No. 92-4452.	9
Hopper & Manual Tube Assembly	4	Hydraulic Schematic	10
Brush Assembly	5	Part Number Index	11 - 12
Gate Assembly	6		

NOTES

NOTES

