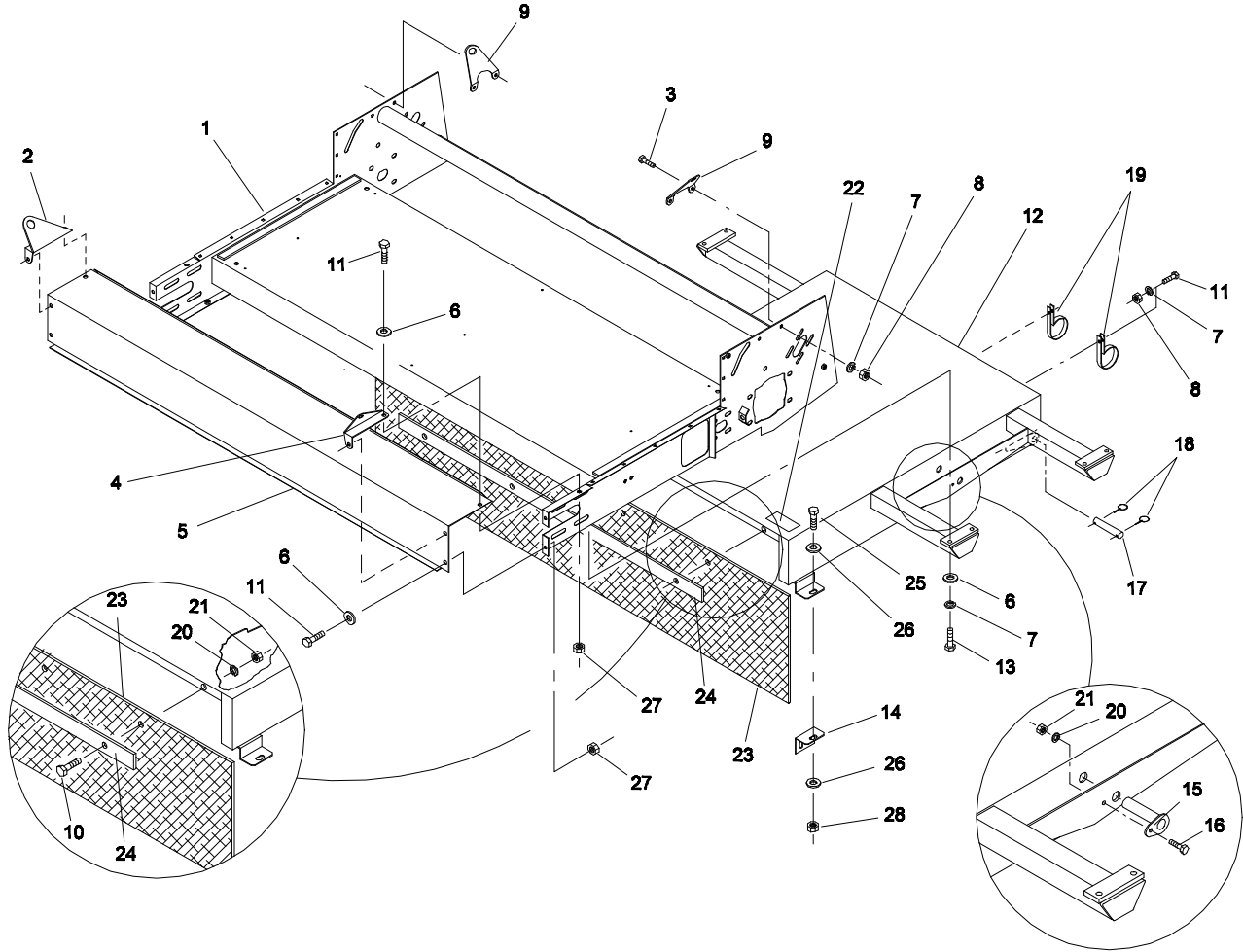




MODEL NO. 44220 - 60001 & UP	PARTS CATALOG
TOPDRESSER 1800 ATTACHMENT FOR WORKMAN™ 3000 SERIES	

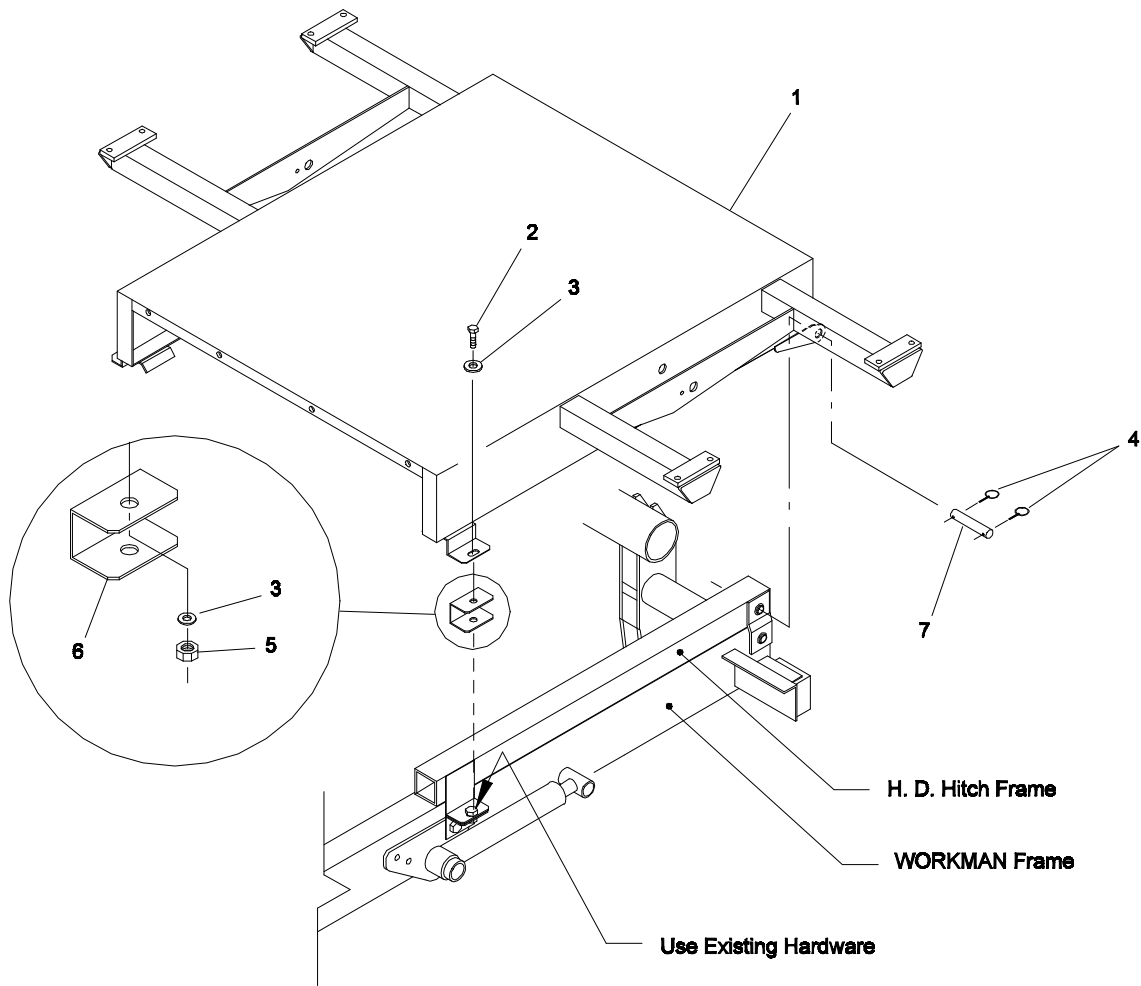


BASE & FRAME ASSEMBLY

1800-3

Ref. No.	Part No.	Description	No. Used
1	92-4350	Frame - Topdresser	1
2	92-4364	Bracket - RH Front Lift	1
3	323-6	Capscrew - Hex Hd.	4
4	92-4363	Bracket - LH Front Lift	1
5	92-4316	End - Frame	1
6	3256-4	Flat Washer	14
7	3253-5	Lock Washer	14
8	3217-7	Hex Nut	6
9	92-4362	Bracket - Rear Lift	2
10	321-6	Capscrew - Hex Hd.	4
11	323-4	Capscrew - Hex Hd.	8
12	92-4351	Base Mounting	1
13	323-7	Capscrew - Hex Hd.	8
14	92-2667	Bracket - Attachment Mount	2

Ref. No.	Part No.	Description	No. Used
15	92-4459	Pin - Cylinder	2
16	321-4	Capscrew - Hex Hd.	2
17	92-1233	Pin - Clevis	2
18	92-1298	Pin - Lynch	4
19	92-4372	Hose Retainer	2
20	3253-3	Lock Washer	6
21	3217-5	Hex Nut	6
22	01-506-0430	Decal - Replacement Manual	1
23	92-4491	Cover - Rubber	1
24	92-4492	Clamp - Rubber	1
25	325-4	Capscrew - Hex Hd.	2
26	3256-26	"SAE" Flat Washer	4
27	3296-39	Lock Nut	6
28	3296-25	Lock Nut	2

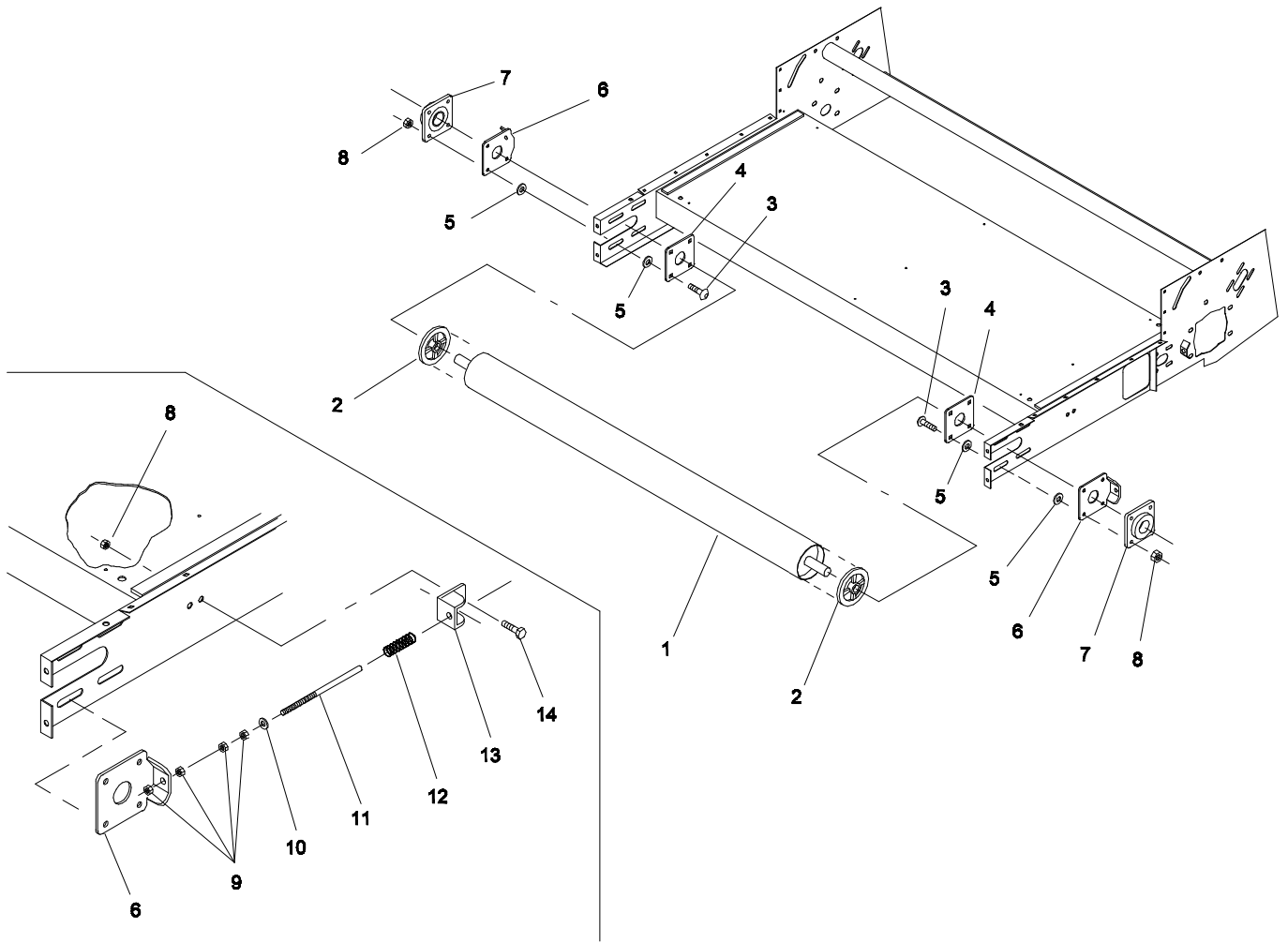


BASE MOUNTING For Units w/H.D. Hitch Frame

1800-10

Ref. No.	Part No.	Description	No. Used
1	92-4351	Base Mounting	1
2	325-4	Capscrew - Hex Hd.	2
3	3256-26	"SAE" Flat Washer	4
4	92-1298	Pin - Lynch	4

Ref. No.	Part No.	Description	No. Used
5	3296-25	Lock Nut	2
6	92-4576	Spacer - Mount	2
7	92-1233	Pin - Clevis	2

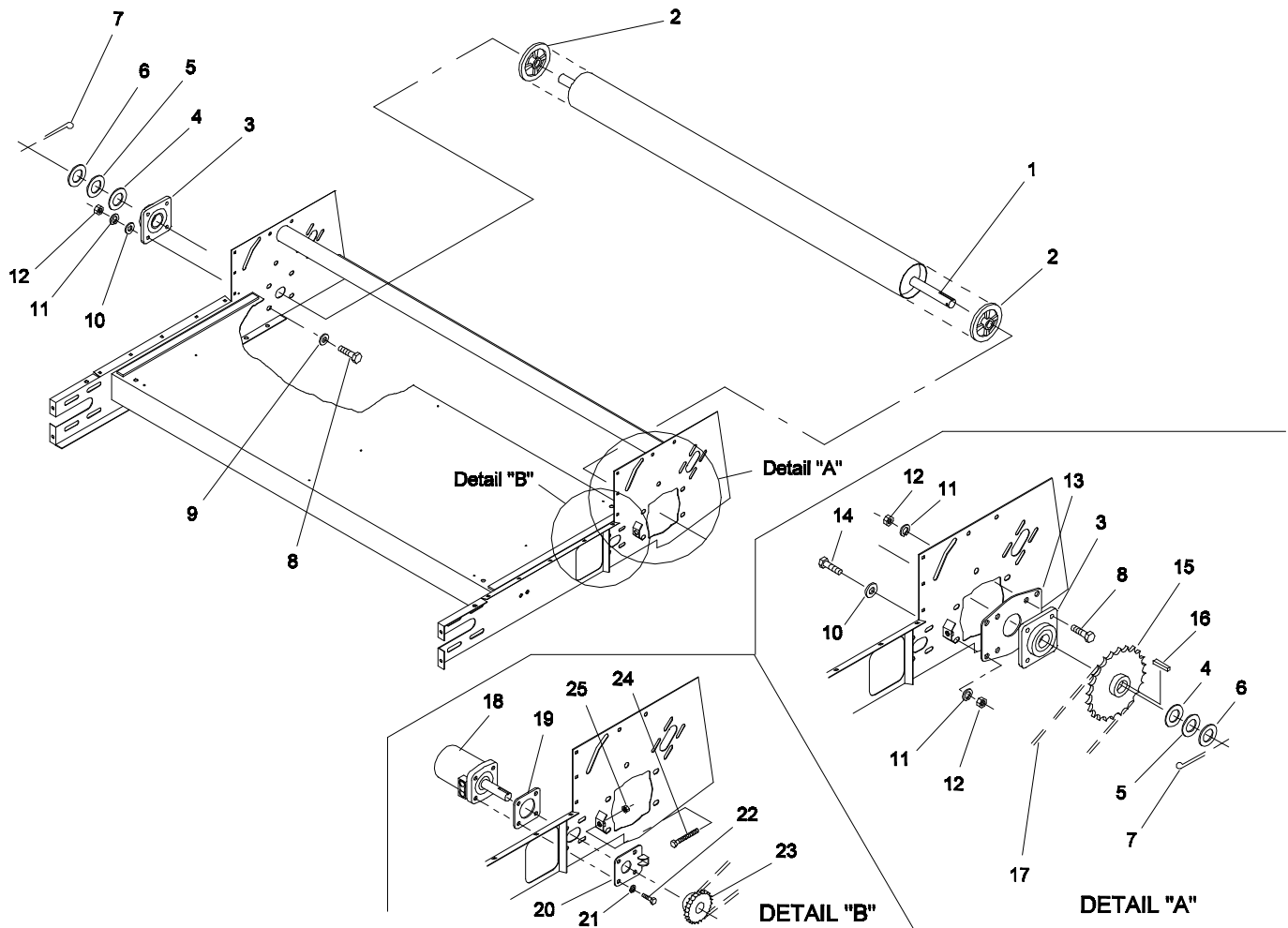


IDLER ROLLER ASSEMBLY

1800-1

Ref. No.	Part No.	Description	No. Used
1	92-4355	Roller - Idler	1
2	01-260-1790	Sheave	2
3	3233-30	Carriage Bolt	8
4	92-4575	Plate - Bearing	2
5	23-004-0721	Belt Roller Washer	16
6	95-0101	Plate - Roller Tension	2
7	01-100-0180	Bearing	2

Ref. No.	Part No.	Description	No. Used
8	32153-16	Lock Nut	12
9	3217-9	Hex Nut	8
10	3256-6	Flat Washer	2
11	23-004-0741	Belt Tension Rod	2
12	01-261-0400	Spring	2
13	95-0100	Plate - Spring Anchor	2
14	325-4	Capscrew - Hex Hd.	4



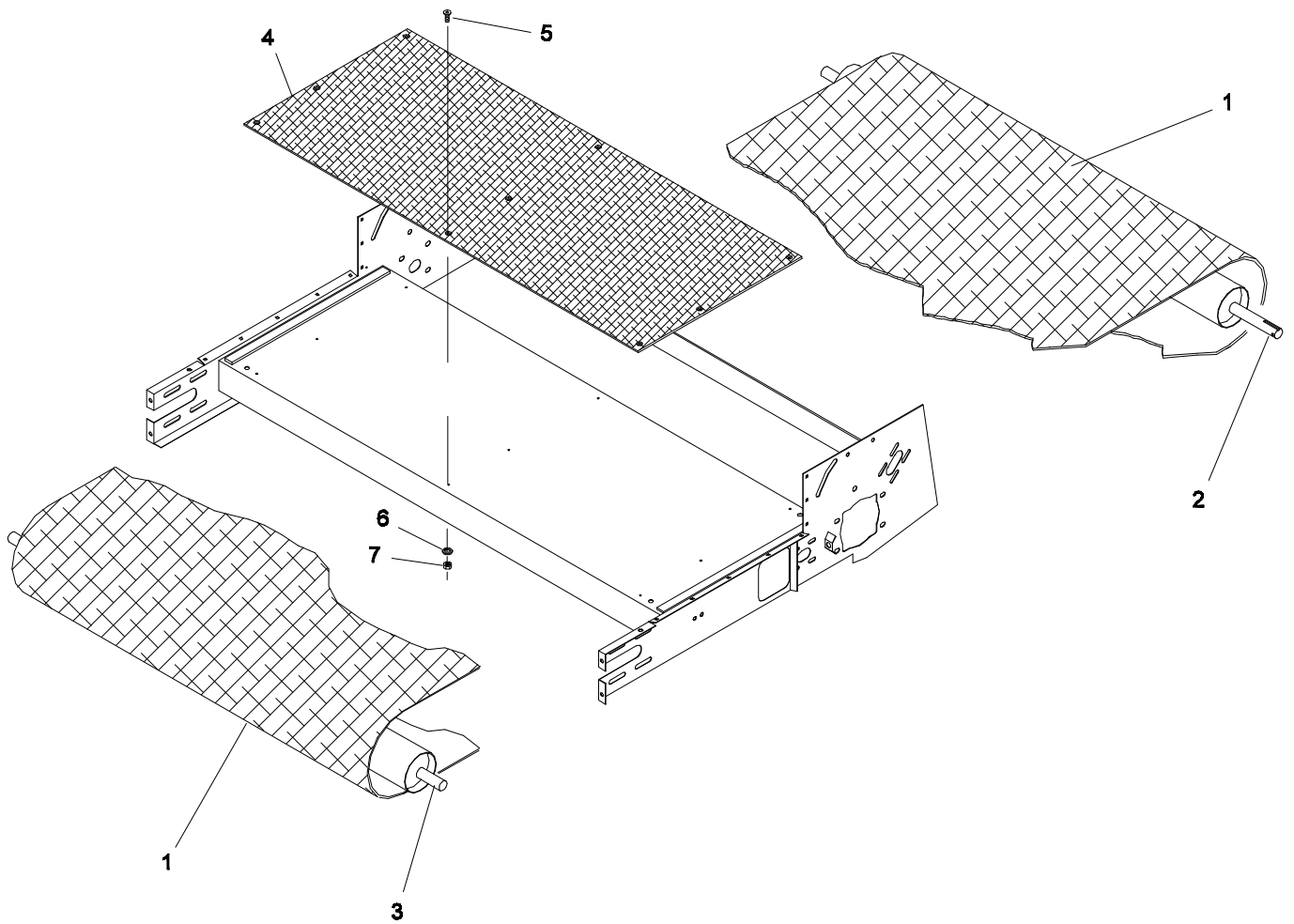
DRIVE ROLLER ASSEMBLY

1800-11

Ref. No.	Part No.	Description	No. Used
1	92-4354	Roller - Drive	1
2	01-260-1790	Sheave	2
3	01-100-0180	Bearing	2
4	01-168-2010	Machinery Bushing	2(var)
5	01-168-2014	Machinery Bushing	2(var)
6	01-168-2018	Machinery Bushing	2(var)
7	3272-25	Cotter Pin	2
8	325-6	Capscrew - Hex Hd.	8
9	3256-6	Flat Washer	4
10	3256-26	"SAE" Flat Washer	8
11	3253-7	Lock Washer	12
12	3217-9	Hex Nut	12
13	92-4302	Plate - Roller	1
14	325-4	Capscrew - Hex Hd.	4

Ref. No.	Part No.	Description	No. Used
15	01-262-0960	Sprocket - Drive Roller	1
16	56-004-2401	Key - Sq.	1
17	92-4370	Chain - Drive	1
*	01-251-0020	#50 Half Link	1
18	92-4343	Motor - Hydraulic/Conveyor	1
*	01-305-1480	Seal Kit	1
19	92-4322	Spacer - Hydraulic Motor	1
20	92-4353	Plate - Motor Adjustment	1
21	3253-5	Lock Washer	4
22	323-6	Capscrew - Hex Hd.	4
24	01-182-0616	Capscrew - Hex Hd.	1
25	3217-7	Hex Nut	2
23	01-262-0050	Sprocket - Conveyor Motor	1

* Not Illustrated



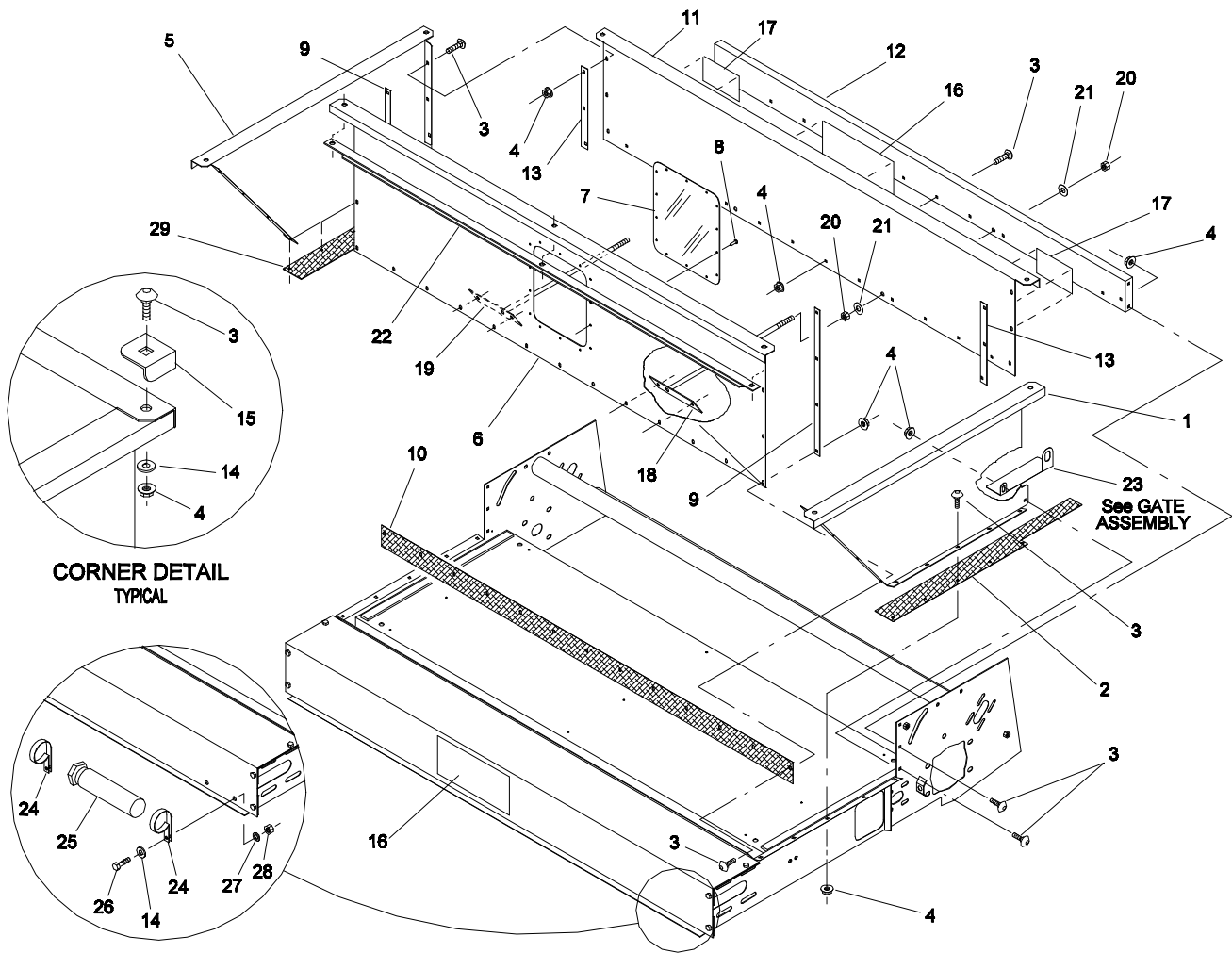
BELT ASSEMBLY

1800-12

Ref. No.	Part No.	Description	No. Used
1	01-271-0680	Belt - Conveyor	1
*	92-4455	Pin - Lacing	1
2	92-4354	Roller - Drive	1
3	92-4355	Roller - Idler	1

Ref. No.	Part No.	Description	No. Used
4	92-4305	Top - Slide Bed	1
5	01-158-0280	Truss Head Machine Screw	9
6	3253-2	Lock Washer	9
7	3217-26	Hex Nut	9

* Not Illustrated



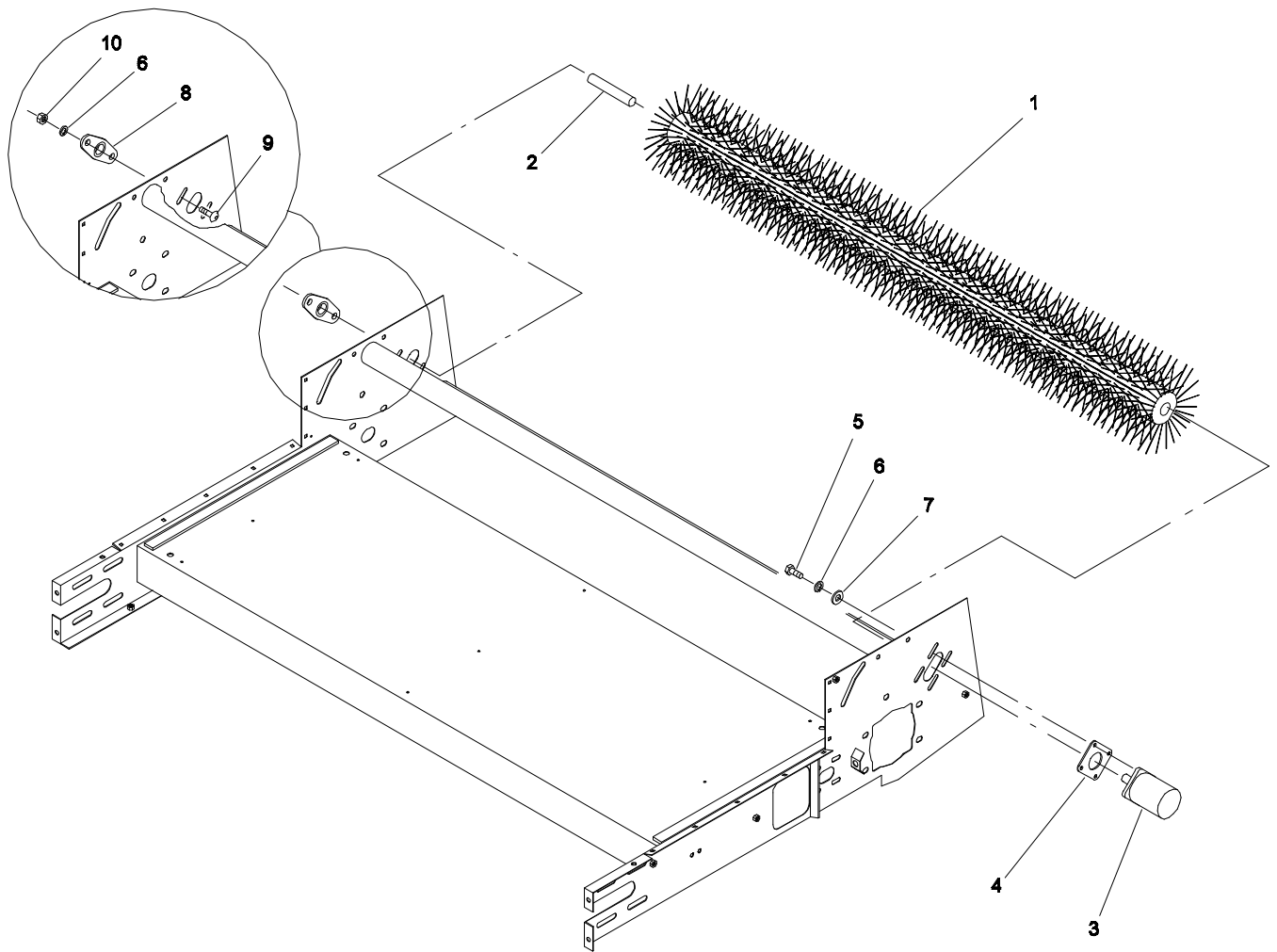
HOPPER & MANUAL TUBE ASSEMBLY

1800-2

Ref. No.	Part No.	Description	No. Used
1	92-4318	Hopper Side - LH	1
2	95-0102	Skirt - Side LH	1
3	3229-11	Carriage Bolt	59
4	32128-33	Lock Nut - Flange	59
5	92-4319	Hopper Side - RH	1
6	92-4320	Hopper Front	1
7	23-004-0981	Hopper Window	1
8	01-161-0040	Pop Rivet	14
9	92-4346	Strip - Corner Hopper	2
10	92-4298	Skirt - Front	1
11	92-4321	Hopper Back	1
12	92-4359	Brace - Hopper	1
13	92-4347	Strip - Hopper Back	2
14	3256-2	Flat Washer	6
15	23-004-0971	Corner Guard	4

Ref. No.	Part No.	Description	No. Used
16	62-7400	Decal - Toro	2
17	92-4368	Decal - Warning	2
18	92-4463	Support - Hopper LH	1
19	92-4464	Support - Hopper RH	1
20	3217-7	Hex Nut	4
21	3256-4	Flat Washer	4
22	92-4493	Brace - Hopper Front	1
23	92-4518	Skirt - Left Side	1
*	92-4517	Skirt - Right Side	1
24	2412-133	R-Clamp	2
25	74-0720	Manual Tube	1
26	321-4	Capscrew - Hex Hd.	2
27	3253-3	Lock Washer	2
28	3217-5	Hex Nut	2
29	95-0103	Skirt - Side RH	1

* Not Illustrated



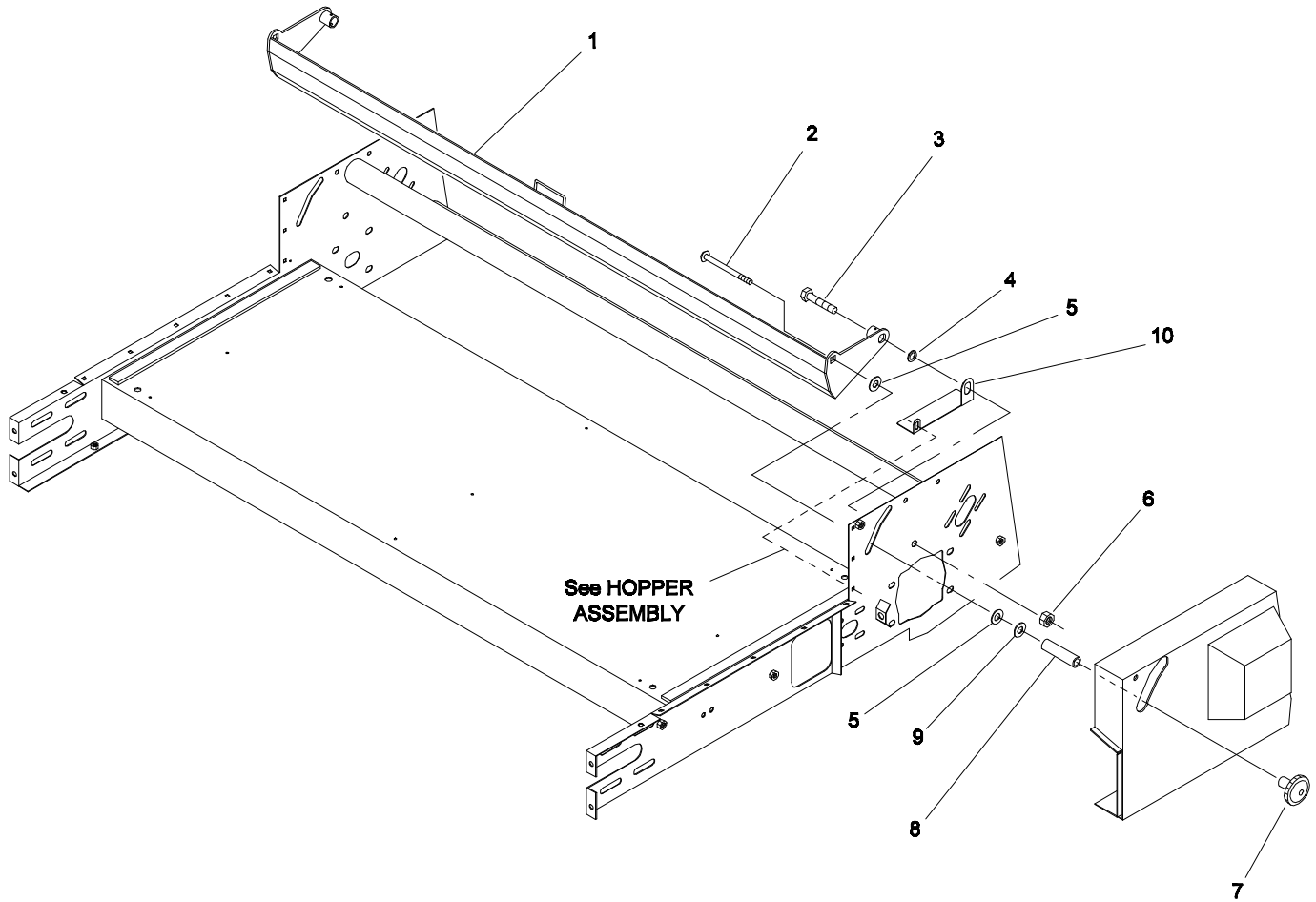
BRUSH ASSEMBLY

1800-4

Ref. No.	Part No.	Description	No. Used
1	01-286-0440	Brush	1
2	23-004-0831	Brush Shaft	1
3	92-4344	Motor - Hydraulic/Brush	1
*	01-305-1490	Seal Kit	1
4	92-4322	Spacer - Hydraulic Motor	1
5	323-6	Capscrew - Hex Hd.	4

Ref. No.	Part No.	Description	No. Used
6	3253-5	Lock Washer	6
7	3256-4	Flat Washer	4
8	01-100-0160	Bearing	1
9	3231-2	Carriage Bolt	2
10	3217-7	Hex Nut	2

* Not Illustrated



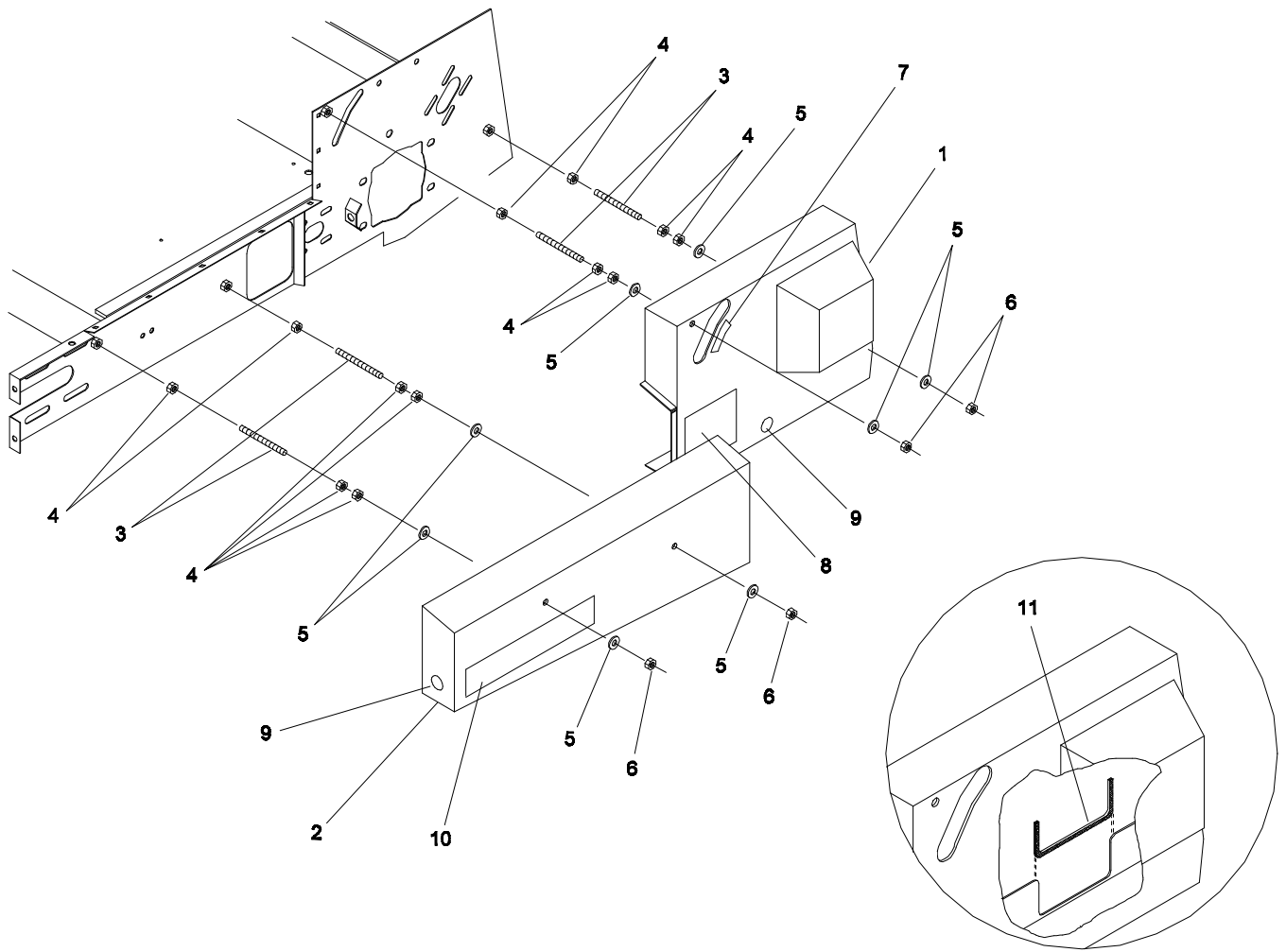
GATE ASSEMBLY

1800-5

Ref. No.	Part No.	Description	No. Used
1	95-0104	Gate	1
2	3233-7	Carriage Bolt	2
3	01-178-1218	Capscrew - Hex Hd.	2
4	92-4330	Washer - Pivot	2
5	23-004-0721	Washer-UHMW	4
6	01-189-1210	Lock Nut	2

Ref. No.	Part No.	Description	No. Used
7	01-256-0200	Knob - Gate	2
8	92-4371	Tube - Gate Adjustment	2
9	3256-6	Flat Washer	2
10	92-4518	Skirt - Left Side	1
*	92-4517	Skirt - Right Side	1

* Not Illustrated

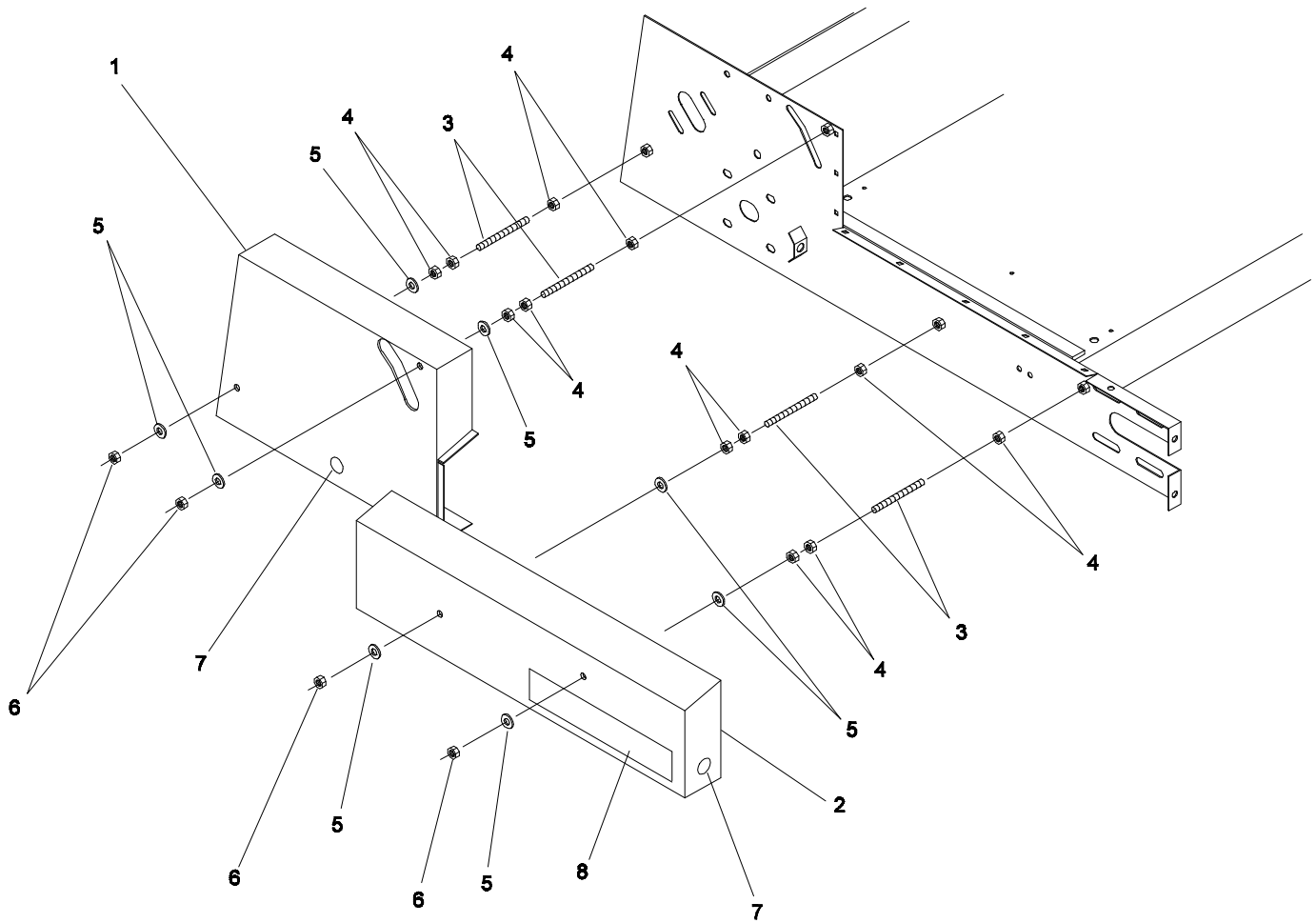


LEFT HAND GUARD ASSEMBLY

1800-8

Ref. No.	Part No.	Description	No. Used
1	92-4572	Guard - Chain (LH Side)	1
2	92-4573	Guard - LH Side	1
3	01-650-0080	All Thread	4
4	3217-7	Hex Nut	12
5	3256-4	Flat Washer	8
6	3296-59	Lock Nut	4

Ref. No.	Part No.	Description	No. Used
7	92-4443	Decal - Gauge	1
8	01-506-0050	Decal - Danger	1
9	58-6520	Decal - Grease	2
10	01-506-1180	Decal - Topdresser 1800	1
11	92-4574	Cover - Edge	1

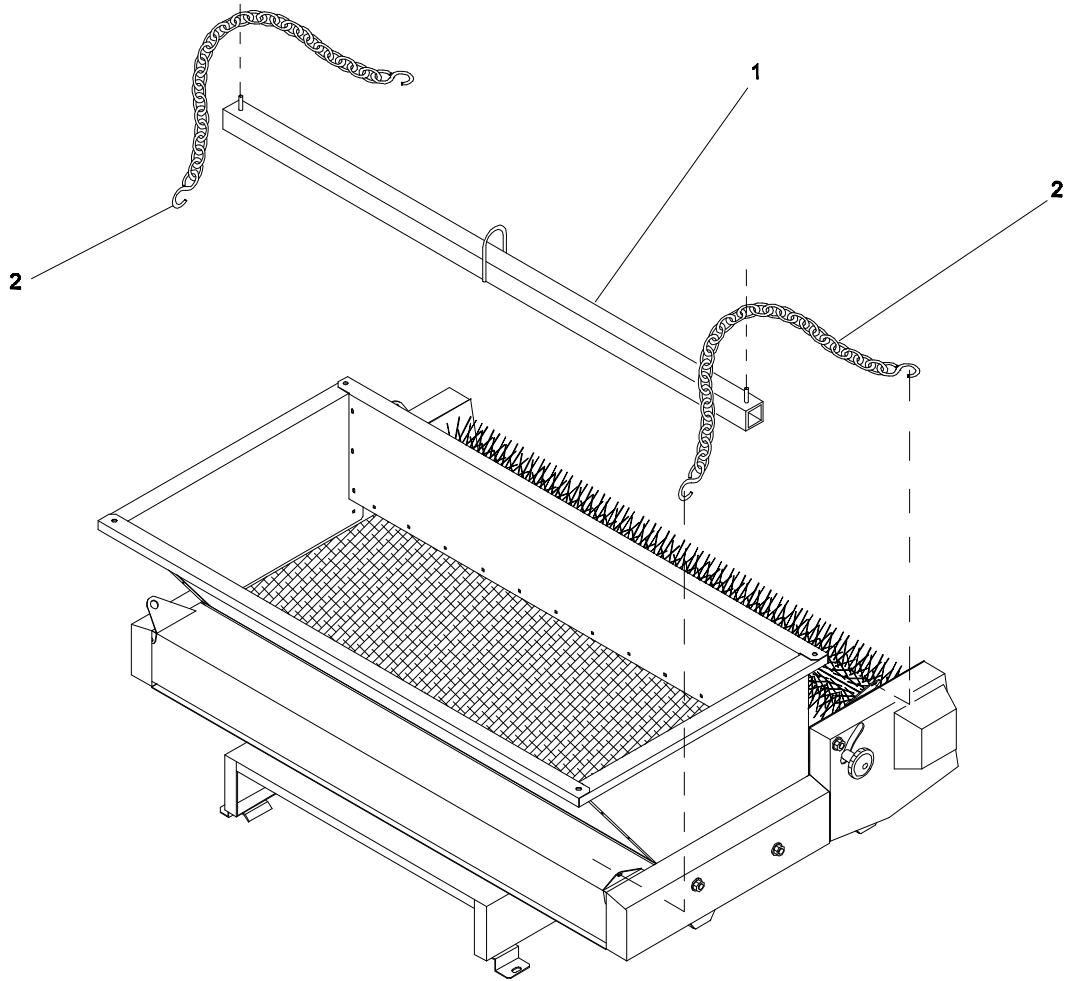


RIGHT HAND GUARD ASSEMBLY

1800-9

Ref. No.	Part No.	Description	No. Used
1	92-4357	Guard-RH Rear	1
2	92-4361	Guard - RH Side	1
3	01-650-0050	All Thread	4
4	3217-7	Hex Nut	12

Ref. No.	Part No.	Description	No. Used
5	3256-4	Flat Washer	8
6	3296-59	Lock Nut	4
7	58-6520	Decal - Grease	2
8	01-506-1180	Decal - Topdresser 1800	1

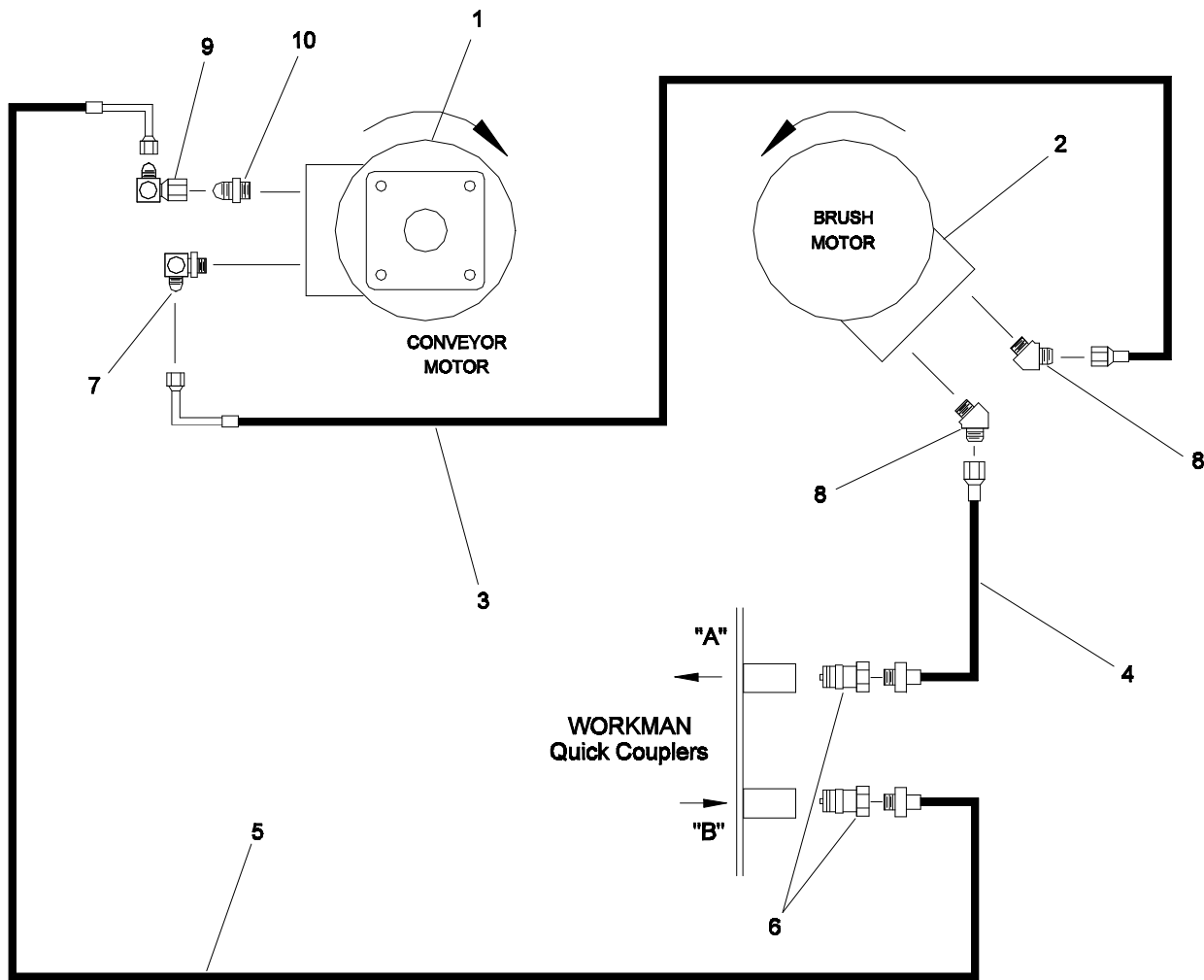


OPTIONAL LIFT KIT - NO. 92 - 4452

1800-7

Ref. No.	Part No.	Description	No. Used
1	92-4448	Bracket - Lift	1

Ref. No.	Part No.	Description	No. Used
2	92-4453	Chain - Lift	2



HYDRAULIC SCHEMATIC

1800-6

Ref. No.	Part No.	Description	No. Used
1	92-4343	Hydraulic Motor - Conveyor	1
*	01-305-1480	Seal Kit	1
2	92-4344	Hydraulic Motor - Brush	1
*	01-305-1490	Seal Kit	1
3	01-312-5570	Hydraulic Hose	1
4	01-312-5550	Hydraulic Hose	1

Ref. No.	Part No.	Description	No. Used
5	01-312-5560	Hydraulic Hose	1
6	92-2672	Quick Disconnect - Male	2
7	01-201-1580	Hydraulic Fitting, 90° elbow	1
8	01-201-1190	Hydraulic Fitting, 45° elbow	2
9	01-201-2410	Hydraulic Fitting, 90° elbow	1
10	01-201-1350	Hydraulic Fitting, connector	1

* Not Illustrated

PART NUMBER INDEX

Part No.	Description	Pg. No.	Ref. No.	Qty.	Part No.	Description	Pg. No.	Ref. No.	Qty.
01-100-0160	Bearing	7	8	1	323-4	Capscrew - Hex Hd.	1	11	8
01-100-0180	Bearing	3	7	2	323-6	Capscrew - Hex Hd.	1	3	4
01-100-0180	Bearing	4	3	2	323-6	Capscrew - Hex Hd.	4	22	4
01-158-0280	Truss Head Machine Screw	5	5	9	323-6	Capscrew - Hex Hd.	7	5	4
01-161-0040	Pop Rivet	6	8	14	323-7	Capscrew - Hex Hd.	1	13	8
01-168-2010	Machinery Bushing	4	4	2	3231-2	Carriage Bolt	7	9	2
01-168-2014	Machinery Bushing	4	5	2	3233-30	Carriage Bolt	3	3	8
01-168-2018	Machinery Bushing	4	6	2	3233-7	Carriage Bolt	8	2	2
01-178-1218	Capscrew - Hex Hd.	8	3	2	325-4	Capscrew - Hex Hd.	1	25	2
01-182-0616	Capscrew - Hex Hd.	4	23	1	325-4	Capscrew - Hex Hd.	2	2	2
01-189-1210	Lock Nut	8	6	2	325-4	Capscrew - Hex Hd.	3	14	4
01-201-1190	Hydraulic Fitting	12	8	2	325-4	Capscrew - Hex Hd.	4	14	4
01-201-1350	Hydraulic Fitting	12	10	1	325-6	Capscrew - Hex Hd.	4	8	8
01-201-1580	Hydraulic Fitting	12	7	1	3253-2	Lock Washer	5	6	9
01-201-2410	Hydraulic Fitting	12	9	1	3253-3	Lock Washer	1	20	6
01-251-0020	#50 Half Link	4	*	1	3253-3	Lock Washer	6	27	2
01-256-0200	Knob - Gate	8	7	2	3253-5	Lock Washer	1	7	14
01-260-1790	Sheave	3	2	2	3253-5	Lock Washer	4	21	4
01-260-1790	Sheave	4	2	2	3253-5	Lock Washer	7	6	6
01-261-0400	Spring	3	12	2	3253-7	Lock Washer	1	27	2
01-262-0050	Sprocket - Conveyor Motor	4	25	1	3253-7	Lock Washer	4	11	12
01-262-0960	Sprocket - Drive Roller	4	15	1	3256-2	Flat Washer	6	14	6
01-271-0680	Belt - Conveyor	5	1	1	3256-26	"SAE" Flat Washer	1	26	4
01-286-0440	Brush	7	1	1	3256-26	"SAE" Flat Washer	2	3	4
01-305-1480	Seal Kit	12	*	1	3256-26	"SAE" Flat Washer	4	10	8
01-305-1480	Seal Kit	4	*	1	3256-4	Flat Washer	1	6	14
01-305-1490	Seal Kit	7	*	1	3256-4	Flat Washer	6	21	4
01-305-1490	Seal Kit	12	*	1	3256-4	Flat Washer	7	7	4
01-312-5550	Hydraulic Hose	12	4	1	3256-4	Flat Washer	9	5	8
01-312-5560	Hydraulic Hose	12	5	1	3256-4	Flat Washer	10	5	8
01-312-5570	Hydraulic Hose	12	3	1	3256-6	Flat Washer	3	10	2
01-506-0050	Decal - Danger	9	8	1	3256-6	Flat Washer	4	9	4
01-506-0430	Decal - Replacement Manual	1	22	1	3256-6	Flat Washer	8	9	2
01-506-1180	Decal - Topdresser 1800	9	10	1	3272-25	Cotter Pin	4	7	2
01-506-1180	Decal - Topdresser 1800	10	8	1	3296-25	Hex Nut	1	28	2
01-650-0050	All Thread	10	3	4	3296-25	Lock Nut	2	5	2
01-650-0080	All Thread	9	3	4	3296-39	Lock Nut	1	27	6
23-004-0721	Belt Roller Washer	3	5	16	3296-59	Lock Nut	9	6	4
23-004-0721	Washer-UHMW	8	5	4	3296-59	Lock Nut	10	6	4
23-004-0741	Belt Tension Rod	3	11	2	56-004-2401	Key - Sq.	4	16	1
23-004-0831	Brush Shaft	7	2	1	58-6520	Decal - Grease	9	9	2
23-004-0971	Corner Guard	6	15	4	58-6520	Decal - Grease	10	7	2
23-004-0981	Hopper Window	6	7	1	62-7400	Decal - Toro	6	16	2
2412-133	R-Clamp	6	24	2	74-0720	Manual Tube	6	25	1
321-4	Capscrew - Hex Hd.	1	16	2	92-1233	Pin - Clevis	1	17	2
321-4	Capscrew - Hex Hd.	6	26	2	92-1233	Pin - Clevis	2	7	2
321-6	Capscrew - Hex Hd.	1	10	4	92-1298	Pin - Lynch	1	18	4
32128-33	Lock Nut - Flange	6	4	59	92-1298	Pin - Lynch	2	4	4
32153-16	Lock Nut	3	8	12	92-2667	Bracket - Attachment Mount	1	14	2
3217-26	Hex Nut	5	7	9	92-2672	Quick Disconnect - Male	12	6	2
3217-5	Hex Nut	1	21	6	92-4298	Skirt - Front	6	10	1
3217-5	Hex Nut	6	28	2	92-4302	Plate - Roller	4	13	1
3217-7	Hex Nut	1	8	6	92-4305	Top - Slide Bed	5	4	1
3217-7	Hex Nut	4	24	2	92-4316	End - Frame	1	5	1
3217-7	Hex Nut	6	20	4	92-4318	Hopper Side - LH	6	1	1
3217-7	Hex Nut	7	10	2	92-4319	Hopper Side - RH	6	5	1
3217-7	Hex Nut	9	4	12	92-4320	Hopper Front	6	6	1
3217-7	Hex Nut	10	4	12	92-4321	Hopper Back	6	11	1
3217-9	Hex Nut	3	9	8	92-4322	Spacer - Hydraulic Motor	4	19	1
3217-9	Hex Nut	4	12	12	92-4322	Spacer - Hydraulic Motor	7	4	1
3229-11	Carriage Bolt	6	3	59	92-4330	Washer - Pivot	8	4	2

* Not Illustrated

PART NUMBER INDEX (Continued)

Part No.	Description	Pg. No.	Ref. No.	Qty.	Part No.	Description	Pg. No.	Ref. No.	Qty.
92-4343	Hydraulic Motor - Conveyor	12	1	1	92-4443	Decal - Gauge	9	7	1
92-4343	Motor - Hydraulic/Conveyor	4	18	1	92-4448	Bracket - Lift	11	1	1
92-4344	Hydraulic Motor - Brush	12	2	1	92-4453	Chain - Lift	11	2	2
92-4344	Motor - Hydraulic/Brush	7	3	1	92-4455	Pin - Lacing	5	*	1
92-4346	Strip - Corner Hopper	6	9	2	92-4459	Pin - Cylinder	1	15	2
92-4347	Strip - Hopper Back	6	13	2	92-4463	Support - Hopper LH	6	18	1
92-4350	Frame - Topdresser	1	1	1	92-4464	Support - Hopper RH	6	19	1
92-4351	Base Mounting	1	12	1	92-4491	Cover - Rubber	1	23	1
92-4351	Base Mounting	2	1	1	92-4492	Clamp - Rubber	1	24	1
92-4353	Plate - Motor Adjustment	4	20	1	92-4493	Brace - Hopper Front	6	22	1
92-4354	Roller - Drive	4	1	1	92-4518	Skirt - Left Side	6	23	1
92-4354	Roller - Drive	5	2	1	92-4517	Skirt - Right Side	6	*	1
92-4355	Roller - Idler	3	1	1	92-4518	Skirt - Left Side	8	10	1
92-4355	Roller - Idler	5	3	1	92-4517	Skirt - Right Side	8	*	1
92-4357	Guard-RH Rear	10	1	1	92-4572	Guard - Chain (LH Side)	9	1	1
92-4359	Brace - Hopper	6	12	1	92-4573	Guard - LH Side	9	2	1
92-4361	Guard - RH Side	10	2	1	92-4574	Cover - Edge	9	11	1
92-4362	Bracket - Rear Lift	1	9	2	92-4575	Plate - Bearing	3	4	2
92-4363	Bracket - LH Front Lift	1	4	1	92-4576	Spacer - Mount	2	6	2
92-4364	Bracket - RH Front Lift	1	2	1	95-0101	Plate - Roller Tension	3	6	2
92-4368	Decal - Warning	6	17	2	95-0100	Plate - Spring Anchor	3	13	2
92-4370	Chain - Drive	4	17	1	95-0102	Skirt - Side LH	6	2	1
92-4371	Tube - Gate Adjustment	8	8	2	95-0103	Skirt - Side RH	6	29	1
92-4372	Hose Retainer	1	19	2	95-0104	Gate	8	1	1

* Not Illustrated

PRODUCT CHANGES

In an effort to make improvements available to TORO owners as quickly as possible minor changes are incorporated into Toro's products from time to time that do not become immediately shown in the Parts Catalog. If such a change has been made in your unit which is not reflected in your manual see your TORO Distributor or an Authorized Service Dealer for information and part numbers.

IDENTIFICATION & ORDERING

MODEL AND NUMBERS

The Topdresser 1800 has two identification numbers; a model number and a serial number. The two numbers are stamped on a plate which is located on the main frame. In any correspondence concerning the Topdresser 1800, supply model and serial numbers to assure that correct information and replacement parts are obtained.

To order replacement parts from your TORO Distributor or an Authorized Service Dealer, supply the following information:

1. Model and serial number of the unit.
2. Part number description and the quantity of part (s) desired.

NOTE: Do not order by reference number if a parts catalog is being used: use the PART NUMBER.

TABLE OF CONTENTS

Description	Page	Description	Page
Base & Frame Assembly	1	Gate Assembly	8
Base Mounting(For Units w/H.D. Hitch Frame) . . .	2	Left Hand Guard Assembly.	9
Idler Roller Assembly	3	Right Hand Guard Assembly	10
Dive Roller Assembly	4	Optional Lift Kit - No. 92-4452.	11
Belt Assembly.	5	Hydraulic Schematic	12
Hopper & Manual Tube Assembly	6	Part Number Index	13 - 14
Brush Assembly	7		

