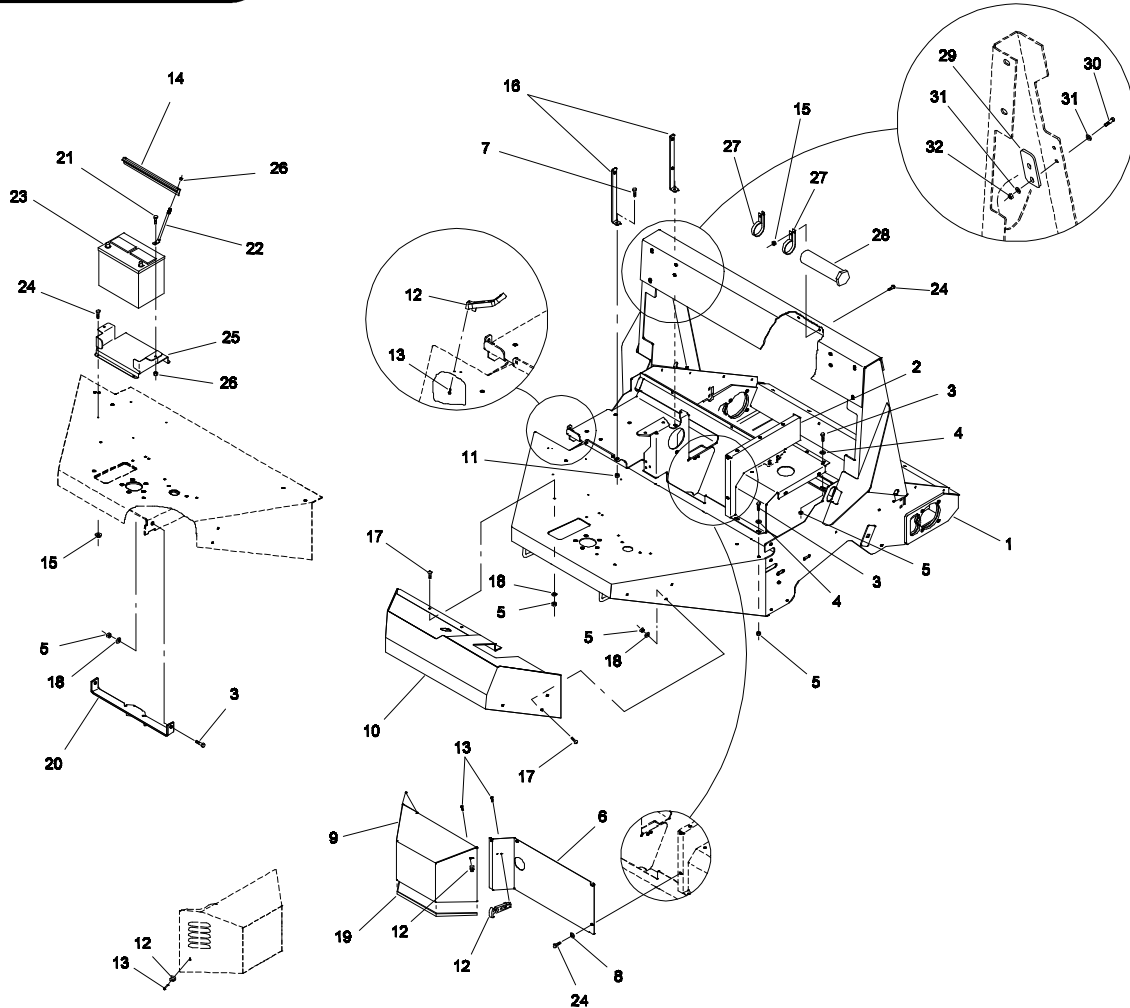




MODEL NO. 44044 - 70153 & UP

**PARTS
CATALOG**

TURF SWEEPER 4800

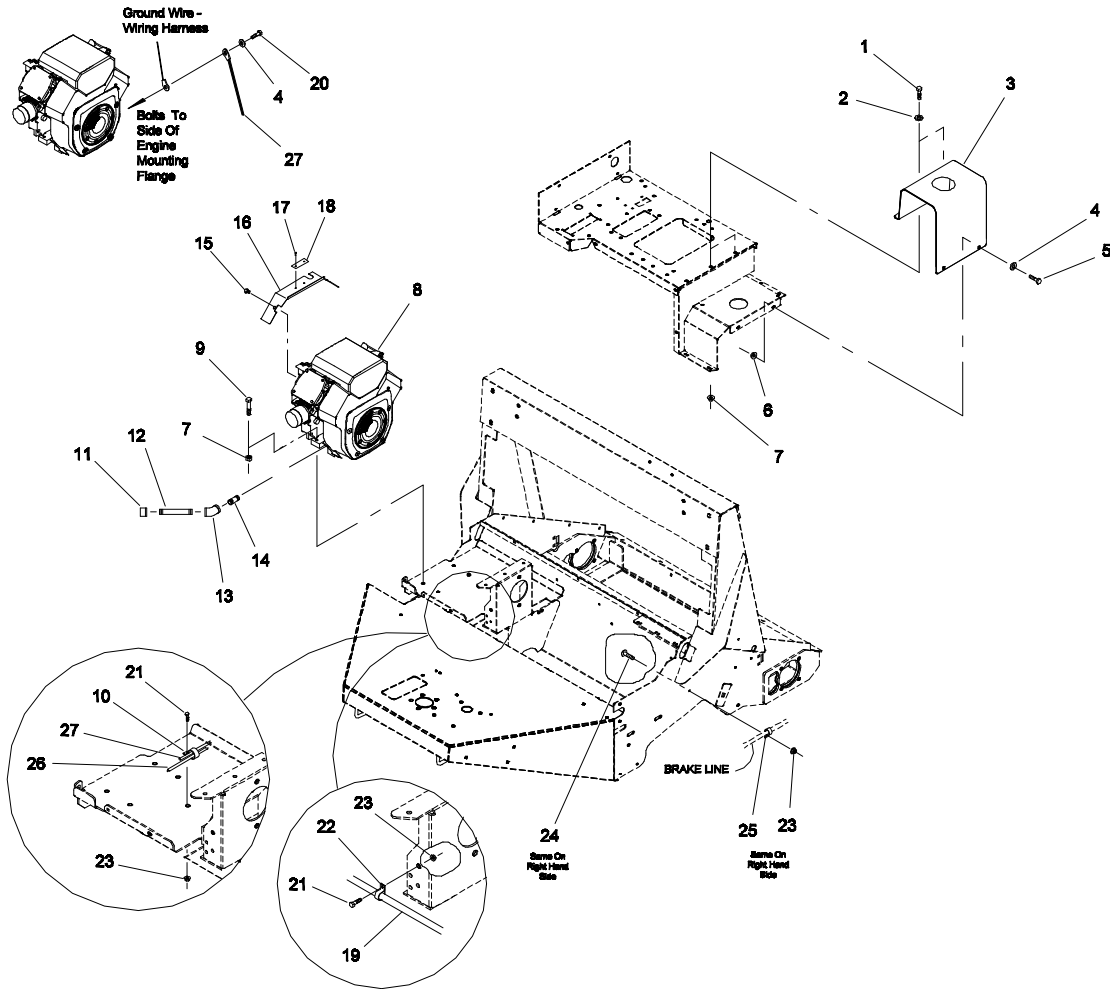


44044-1

MAIN FRAME ASSEMBLY

Ref. No.	Part No.	Description	No. Used
1	95-0170	Main Frame WA	1
2	95-0395	Access Cover Mount WA	1
3	322-5	Capscrew - Hex Hd.	7
4	3256-23	Washer - SAE	5
5	32128-20	Nut - Flange Lock	17
6	95-0165	Plate-Seat Front	1
7	323-4	Capscrew - Hex Hd.	2
8	3256-22	Washer - SAE	3
9	95-4855	Guard - Hydrostat	1
10	95-4717	Floor Board Riser WA	1
11	32128-43	Nut - Flange Lock	2
12	95-4879	Latch - Draw , Flexible	2
13	32105-8	Machine Screw - Hex Hd.	6
14	24-6420	Battery Hold Down	1
15	32128-33	Nut - Flange Lock	6
16	95-4709	Bar - Support, Access Cover	2

Ref. No.	Part No.	Description	No. Used
17	3230-2	Bolt - Carriage	10
18	3256-3	Washer - Flat	12
19	95-4833	Edging - Rubber	1
20	95-4761	Stop - Steering	1
21	322-3	Capscrew - Hex Hd.	2
22	24-6390	Battery Hold Down Stud	2
23	55-7290	Battery - Dry	1
24	321-4	Capscrew - Hex Hd.	7
25	95-0172	Mount - Battery	1
26	3296-29	Nut - Lock	4
27	2412-133	R-Clamp	2
28	74-0720	Manual Tube	1
29	95-4784	Plate - Stop, Linkage	1
30	323-7	Capscrew - Hex Hd.	2
31	3256-4	Washer - Flat	4
32	3296-39	Nut - Lock	2



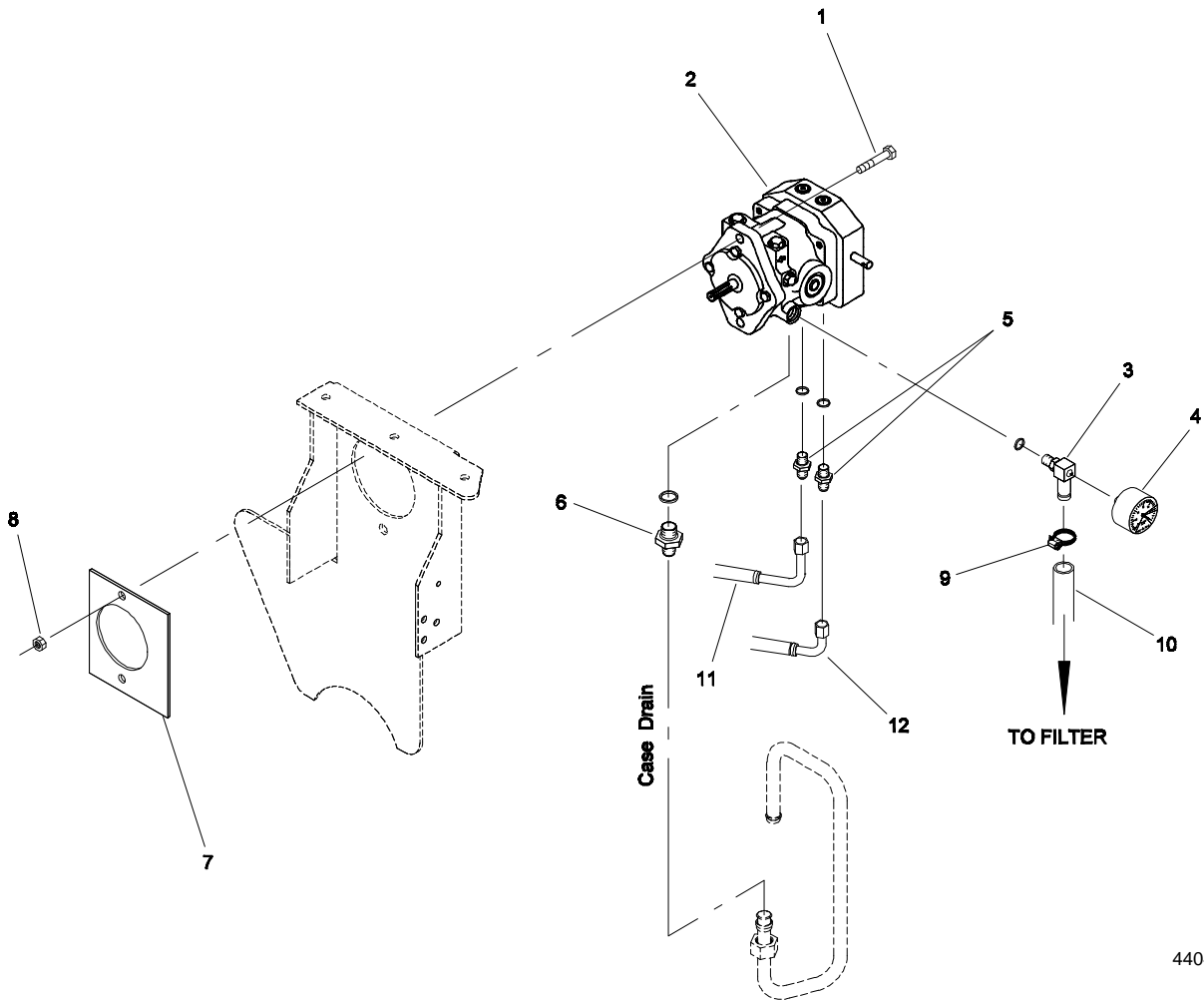
44044-2

ENGINE MOUNTING

Ref. No.	Part No.	Description	No. Used
1	323-6	Capscrew - Hex Hd.	2
2	3256-24	Washer - SAE	2
3	95-4850	Cover - Tank, Gas	1
4	3256-23	Washer - SAE	3
5	322-3	Capscrew - Hex Hd.	2
6	32128-20	Nut - Flange Lock	2
7	32128-43	Nut - Flange Lock	6
8	95-0175	Engine Assy - Kohler, 18hp	1
*	95-4797	Exhaust - Outlet, 90	1
*	2112-11	Clamp - Muffler	1
9	323-9	Capscrew - Hex Hd.	4
10	2412-105	Clamp - Double Tube	1
11	288-10	Pipe Cap	1
12	289-48	Pipe	1
13	95-4824	Fitting, 45	1

Ref. No.	Part No.	Description	No. Used
14	01-456-0050	Stub	1
15	33103-012	Screw - Flange, Hex Hd.	2
16	95-4856	Guard - Heat (Incl. #17,18)	1
17	3269-32	Rivet - Pop	2
18	80-9350	Plate - Hot Surface	1
19	95-4801	Hose - Fuel	1
20	33104-020	Screw - Flange, Hex Hd.	1
21	321-4	Capscrew - Hex Hd.	2
22	2412-73	R-Clamp	1
23	32128-33	Nut - Flange Lock	3
24	3229-1	Bolt - Carriage	2
25	2412-89	R-Clamp	2
26	95-4827	Cable - Pos.	1
27	95-4828	Cable - Neg.	1

* Not Illustrated

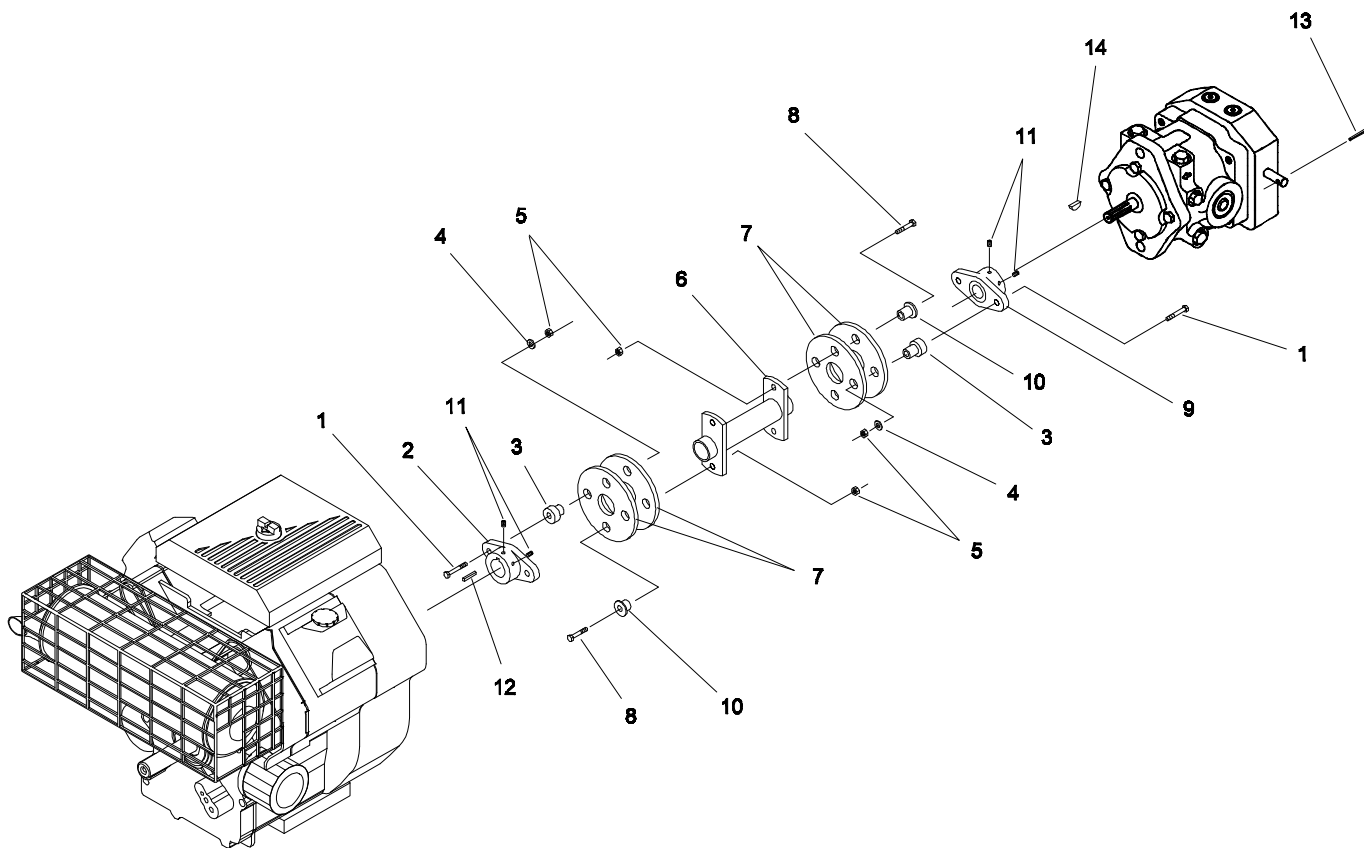


44044-18

PUMP ASSEMBLY

Ref. No.	Part No.	Description	No. Used
1	3274-5	Screw - Hex Socket Hd.	2
2	95-0156	Pump - Variable, Sundstrand	1
3	95-4778	Fitting - Hydraulic, Barb	1
4	95-0334	Gauge - Vacuum	1
5	01-201-3380	Fitting - Flat Face O-ring	2
6	01-201-4680	Fitting - Hydraulic	1

Ref. No.	Part No.	Description	No. Used
7	92-4679	Plate - Hydrostat, Reinf.	1
8	3296-23	Nut - Lock	2
9	2412-34	Clamp - Hose	1
10	95-4775	Hose - Hydraulic	1
11	95-4754	Hose - Hydraulic	1
12	95-4755	Hose - Hydraulic	1

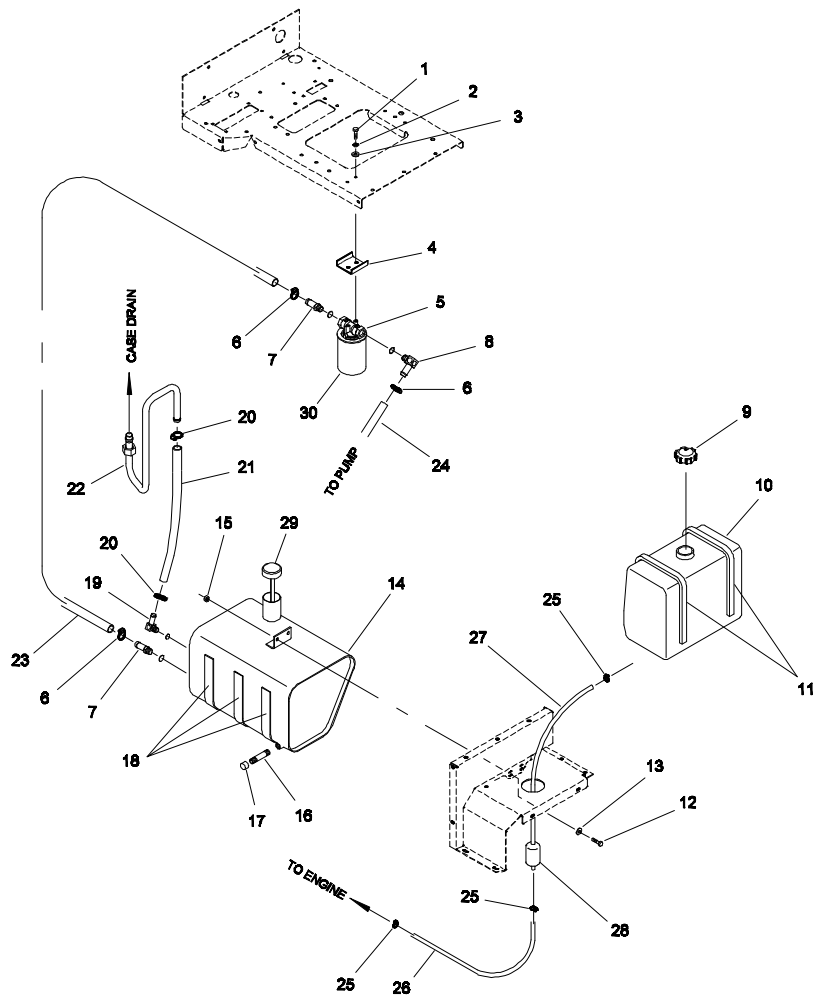


44044-4

DRIVE SHAFT - PUMP

Ref. No.	Part No.	Description	No. Used
1	322-10	Capscrew - Hex Hd.	4
2	27-1960	Hub - Engine	1
3	71-4410	Spacer, thick	4
4	3256-23	Washer - SAE	4
5	3296-29	Nut - Lock	8
6	71-4400	Driveshaft WA	1
7	44-2230	Coupling - Rubber	4

Ref. No.	Part No.	Description	No. Used
8	322-7	Capscrew - Hex Hd.	4
9	33-4380	Hub - Pump	1
10	71-4411	Spacer, thin	4
11	3241-5	Setscrew	4
12	5-4916	Key	1
13	32121-6	Pin - Roll	1
14	3257-32	Key - Woodruff	1



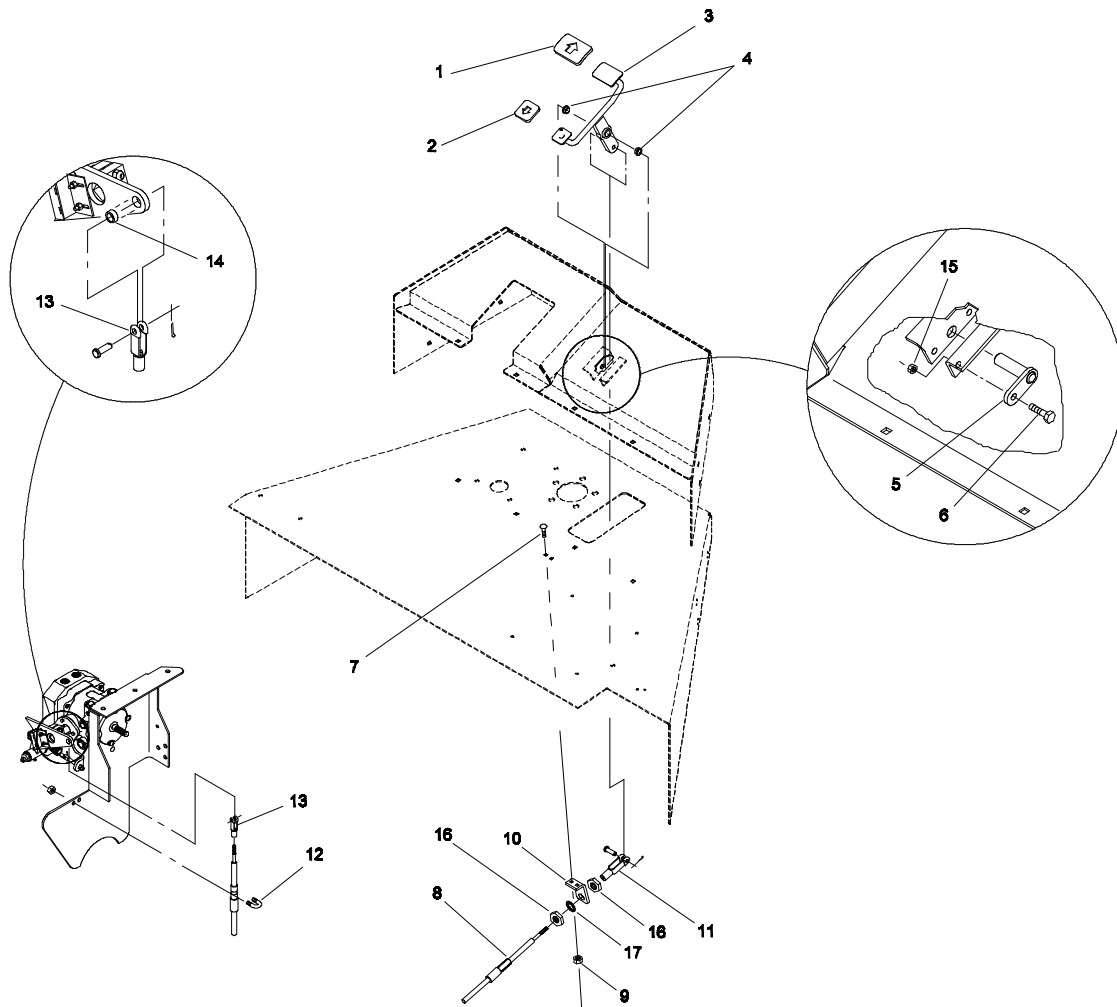
44044-17

HYDRAULIC RESERVOIR & FUEL TANK

Ref. No.	Part No.	Description	No. Used
1	321-9	Capscrew - Hex Hd.	2
2	3253-3	Washer - Lock	2
3	3256-2	Washer - Flat	2
4	95-0267	Mount - Oil Filter	1
5	95-0281	Filter Head	1
6	2412-34	Clamp - Hose	3
7	354-73	Fitting - Hydraulic, Barb	2
8	01-201-1080	Fitting - Hydraulic, Barb	1
9	95-4766	Fuel Cap Ass'y	1
10	62-4040	Fuel Tank	1
11	95-4789	Sponge - Neoprene	2
12	323-6	Capscrew - Hex Hd.	2
13	3256-24	Washer - SAE	2
14	95-0013	Tank - Hydraulic	1
15	3296-22	Nut - Lock	2
16	289-51	Nipple - Pipe	1

Ref. No.	Part No.	Description	No. Used
17	288-10	Pipe Cap	1
18	18-204-1781	Isolator - Rubber	3
19	95-4779	Fitting - Hydraulic	1
20	2412-129	Clamp - Hose	2
21	95-4777	Hose - Hydraulic	1
22	95-4774	Tube - Drain, Case	1
23	95-4776	Hose - Hydraulic	1
24	95-4775	Hose - Hydraulic	1
25	2412-108	Clamp - Hose	3
26	95-4801	Hose - Fuel	1
27	95-4860	Hose - Fuel	1
28	(Kohler Part # 24-050-02)	Filter - Fuel	1
29	95-4859	Cap - Hydraulic (Incl. w /#14)	1
30	23-9740	Cartridge - Oil Filter	1
*	95-4818	Filter Head Asm (Incl. #5,30)	1

* Not Illustrated

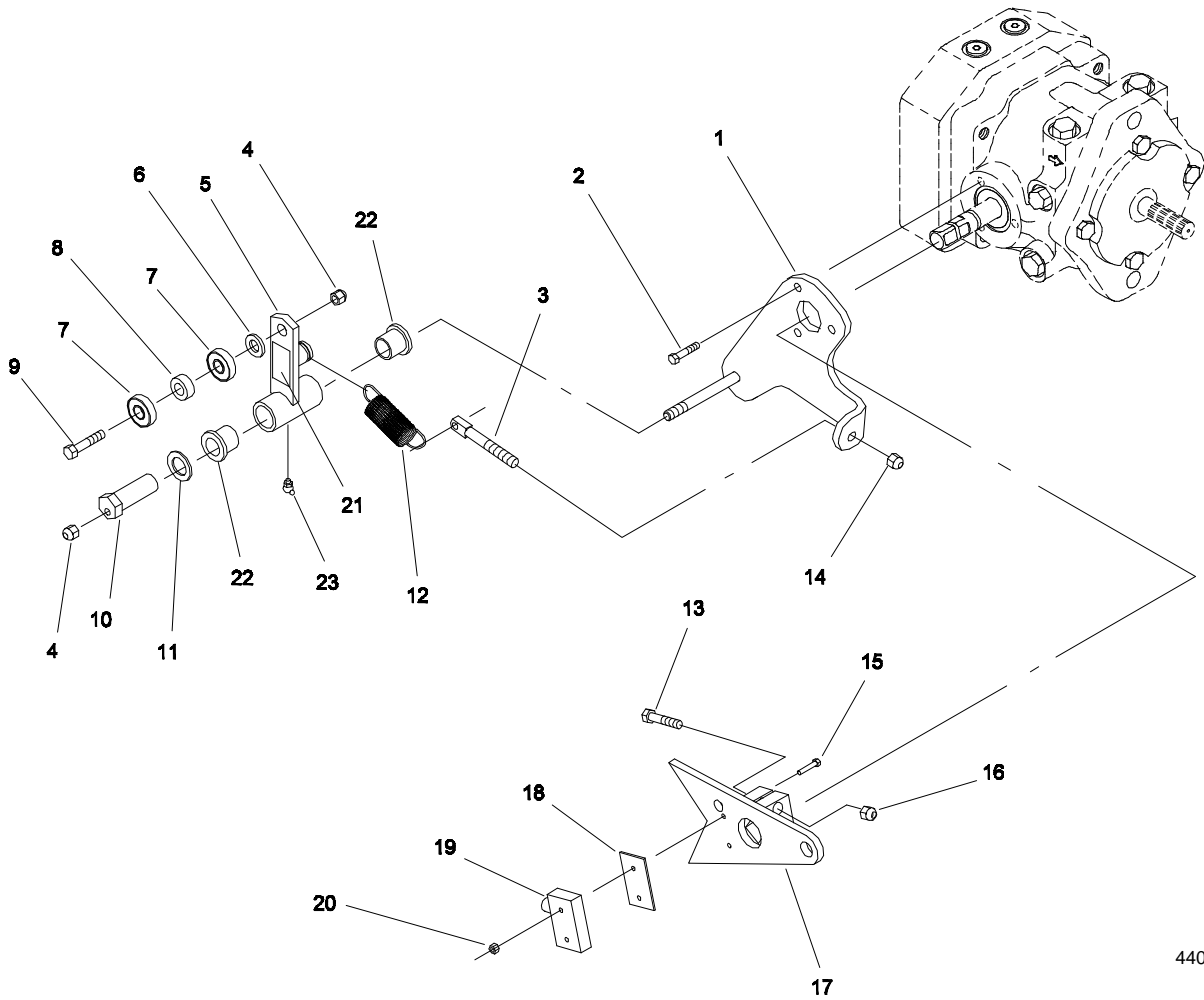


44044-20

TRACTION CONTROL

Ref. No.	Part No.	Description	No. Used
1	74-9100	Pad - Forward	1
2	74-9110	Pad - Reverse	1
3	95-4708	Traction Pedal WA	1
4	256-156	Bushing - Flange	2
5	95-4808	Traction Pin WA	1
6	321-4	Capscrew - Hex Hd.	1
7	3229-2	Bolt - Carriage	2
8	92-4699	Cable - Traction (Incl. # 16,17)	1
9	32128-33	Nut - Flange Lock	2

Ref. No.	Part No.	Description	No. Used
10	92-4676	Mount - Cable	1
11	95-4727	Clevis - Pedal, Traction	1
12	95-4731	U-Bolt	1
13	95-4728	Clevis	1
14	95-4721	Bushing - Straight	1
15	3296-42	Nut - Lock	1
16	95-4874	Nut - Jam	2
17	95-4873	Washer - Lock	1

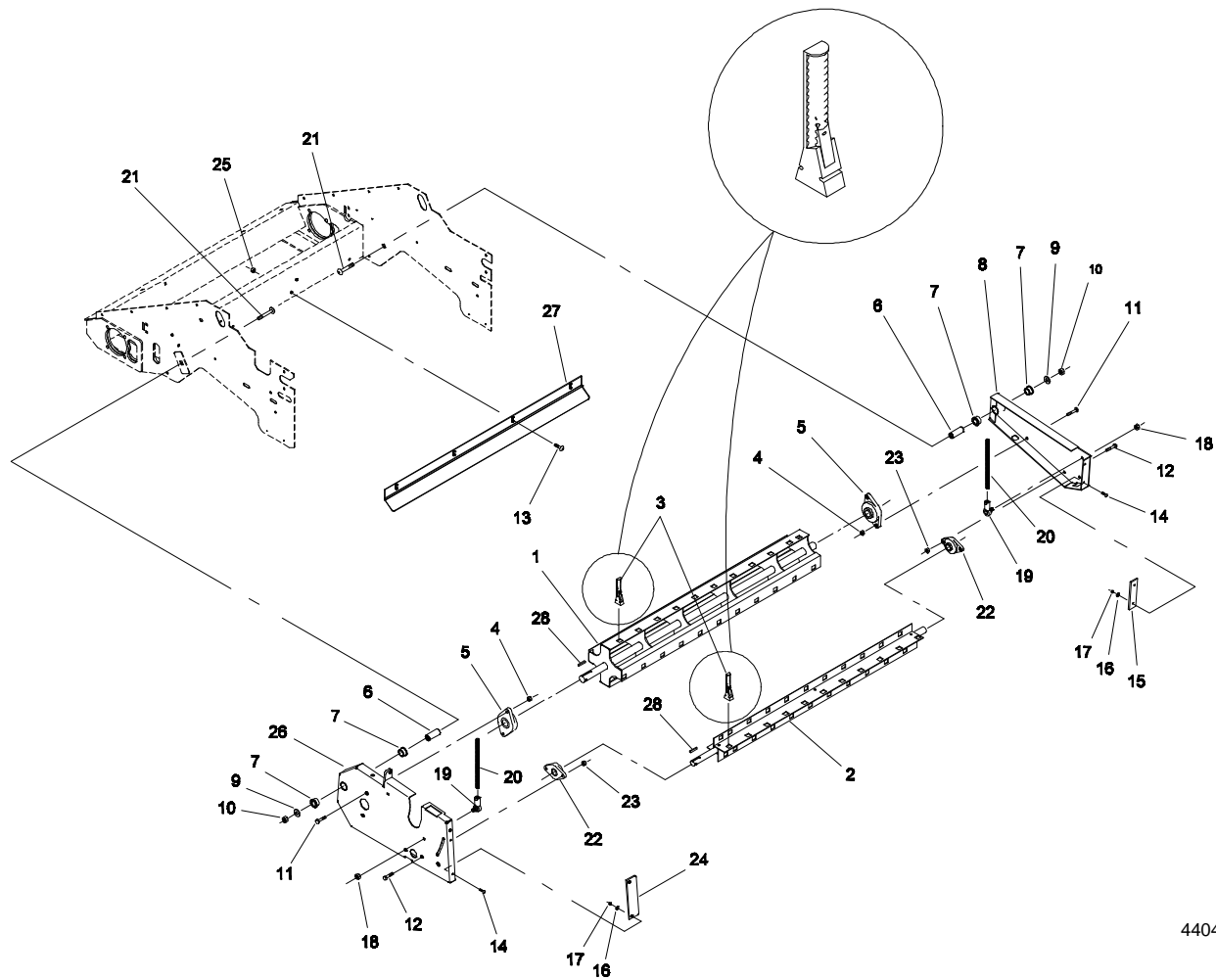


44044-7

NEUTRAL RETURN ASSEMBLY

Ref. No.	Part No.	Description	No. Used
1	95-0347	Neutral Plate WA	1
2	49-2040	Screw - Flange Hex Hd.	3
3	18-6380	Pin - Adjusting	1
4	3296-29	Nut - Lock	2
5	85-8460	Switch Arm Assembly (Incl. #22,23)	1
	85-8461	Switch Arm WA (w/o #22,23)	1
6	75-5470	Spacer	1
7	251-259	Bearing	2
8	85-9120	Spacer	1
9	322-8	Capscrew - Hex Hd.	1
10	76-8640	Stud - Traction	1
11	3-6498	Washer - Thrust	1

Ref. No.	Part No.	Description	No. Used
12	85-9030	Spring - Extension	1
13	323-10	Capscrew - Hex Hd.	1
14	3296-4	Nut - Lock	1
15	32105-21	Screw - Machine	2
16	3296-39	Nut - Lock	1
17	85-8300	Lever - Pump	1
18	85-9150	Plate - Switch	1
19	29-6163	Sw itch - Neutral	1
20	3296-9	Nut - Lock	2
21	85-8860	Decal - Eccentric Bolt	1
22	256-113	Bushing - Flange	2
23	302-60	Fitting - Grease	1

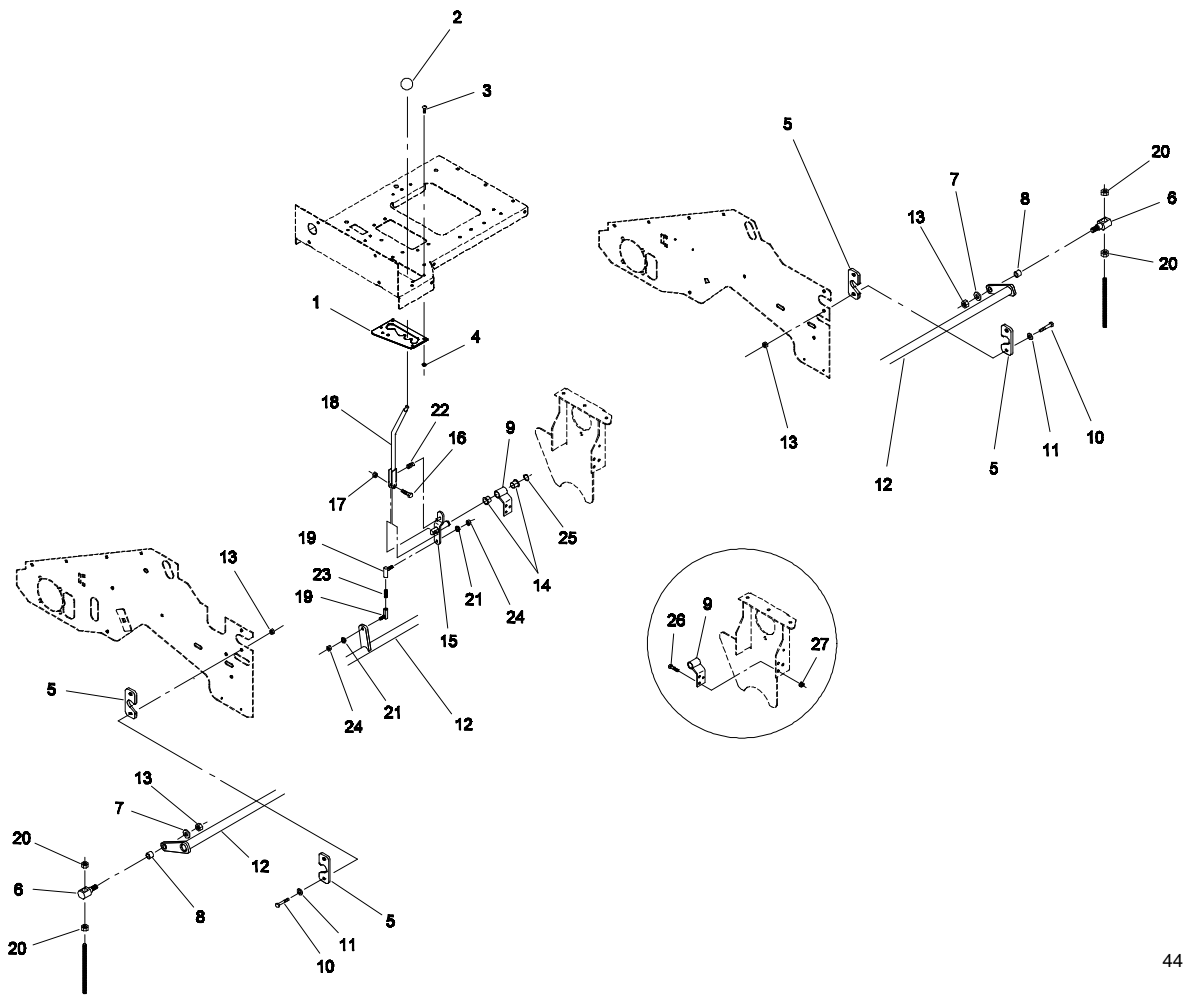


44044-3

REEL ASSEMBLY

Ref. No.	Part No.	Description	No. Used
1	95-0217	Rear Reel WA	1
2	95-0215	Front Reel WA	1
3	01-279-0010	Rubber Fingers	88
4	3296-23	Nut - Lock	4
5	01-100-0170	Bearing - Flange Block	2
6	95-4768	Sleeve - Tube, Pivot	2
7	256-132	Bearing - Flange	4
8	95-4852	Reel Plate Ass'y, LH (Incl. #7)	1
9	3256-7	Washer - Flat	2
10	3296-77	Nut - Lock	2
11	325-6	Capscrew - Hex Hd.	4
12	324-5	Capscrew - Hex Hd.	4
13	3231-2	Bolt - Carriage	4
14	3229-1	Bolt - Carriage	4

Ref. No.	Part No.	Description	No. Used
15	95-0176	Slide	1
16	3256-22	Washer - SAE	4
17	3296-42	Nut - Lock	4
18	3296-28	Nut - Lock	2
19	95-4821	Rod End	2
20	95-4822	All Thread	2
21	3233-33	Bolt - Carriage	2
22	01-100-0160	Bearing - Flange Block	2
23	3296-48	Nut - Lock	4
24	95-0319	Slide - Reel Plate, RH	1
25	3296-39	Nut - Lock	4
26	95-4851	Reel Plate Ass'y, RH (Incl. #7)	1
27	95-0341	Deflector - Air	1
28	5-4916	Key	2

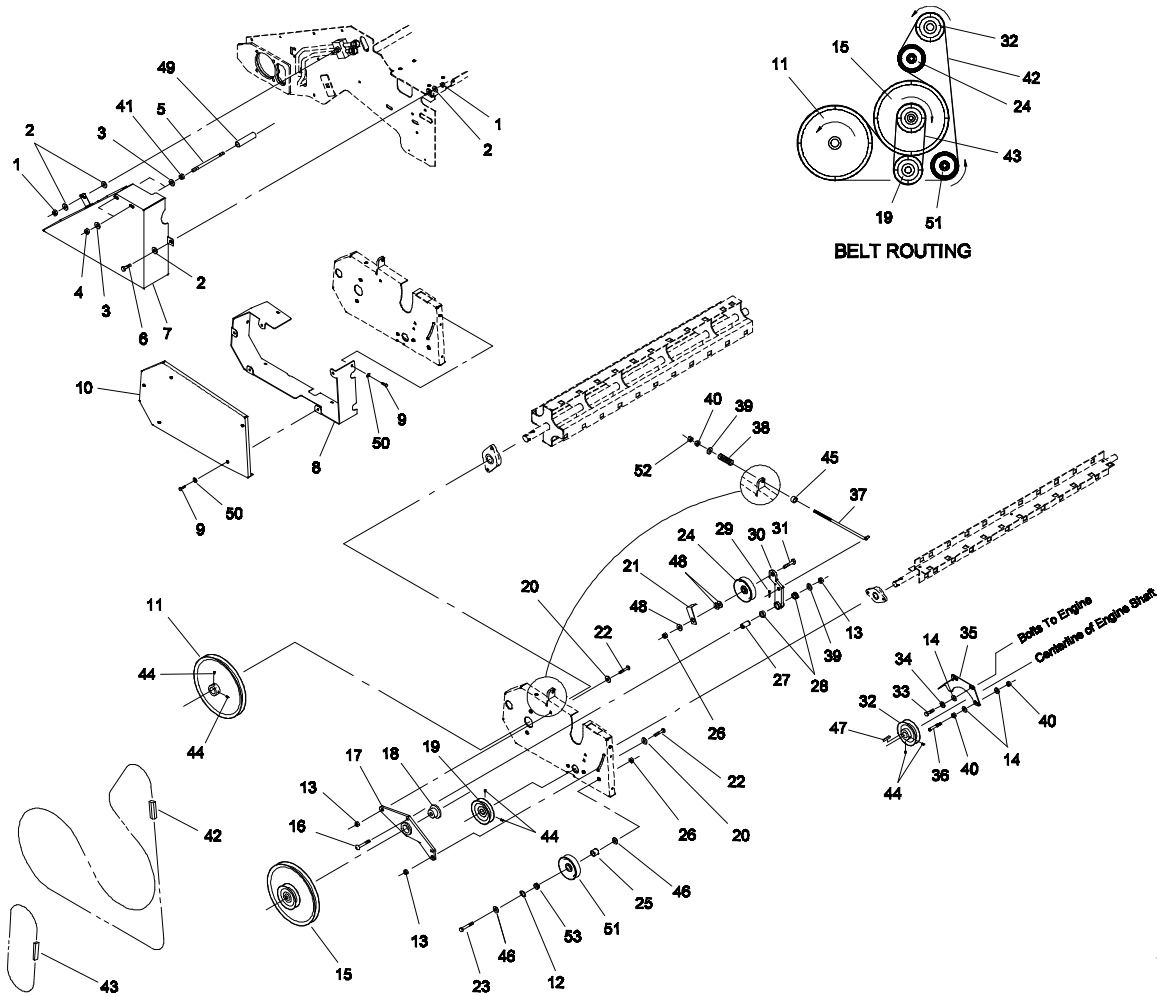


44044-6

REEL LIFT

Ref. No.	Part No.	Description	No. Used
1	95-4752	Reel Gate Ass'y	1
2	233-48	Knob	1
3	3229-1	Bolt - Carriage	4
4	32128-33	Nut - Flange Lock	4
5	95-0272	Bushing - UHMW	4
6	92-2344	Trunion	2
7	3256-4	Washer - Flat	2
8	95-4782	Bushing	2
9	95-4888	Bracket - Reel Lift	1
10	323-8	Capscrew - Hex Hd.	4
11	3256-24	Washer - SAE	4
12	95-0179	Reel Lift Rod WA	1
13	3296-39	Nut - Lock	6
14	256-10	Bushing - Flange	2

Ref. No.	Part No.	Description	No. Used
15	95-4891	Pivot - Lift, Lever	1
16	325-5	Capscrew - Hex Hd.	1
17	3296-45	Nut - Lock	1
18	95-4702	Reel Lift Handle WA	1
19	01-250-0040	Rod End	2
20	3219-5	Nut - Hex	4
21	3253-5	Washer - Lock	2
22	01-261-0330	Spring Danly Steel	1
23	01-650-1100	All Thread - Fine	1
24	3220-3	Nut - Jam	2
25	95-4893	Ring - Retaining, External	1
26	322-5	Capscrew - Hex Hd.	3
27	32128-20	Nut - Flange Lock	3



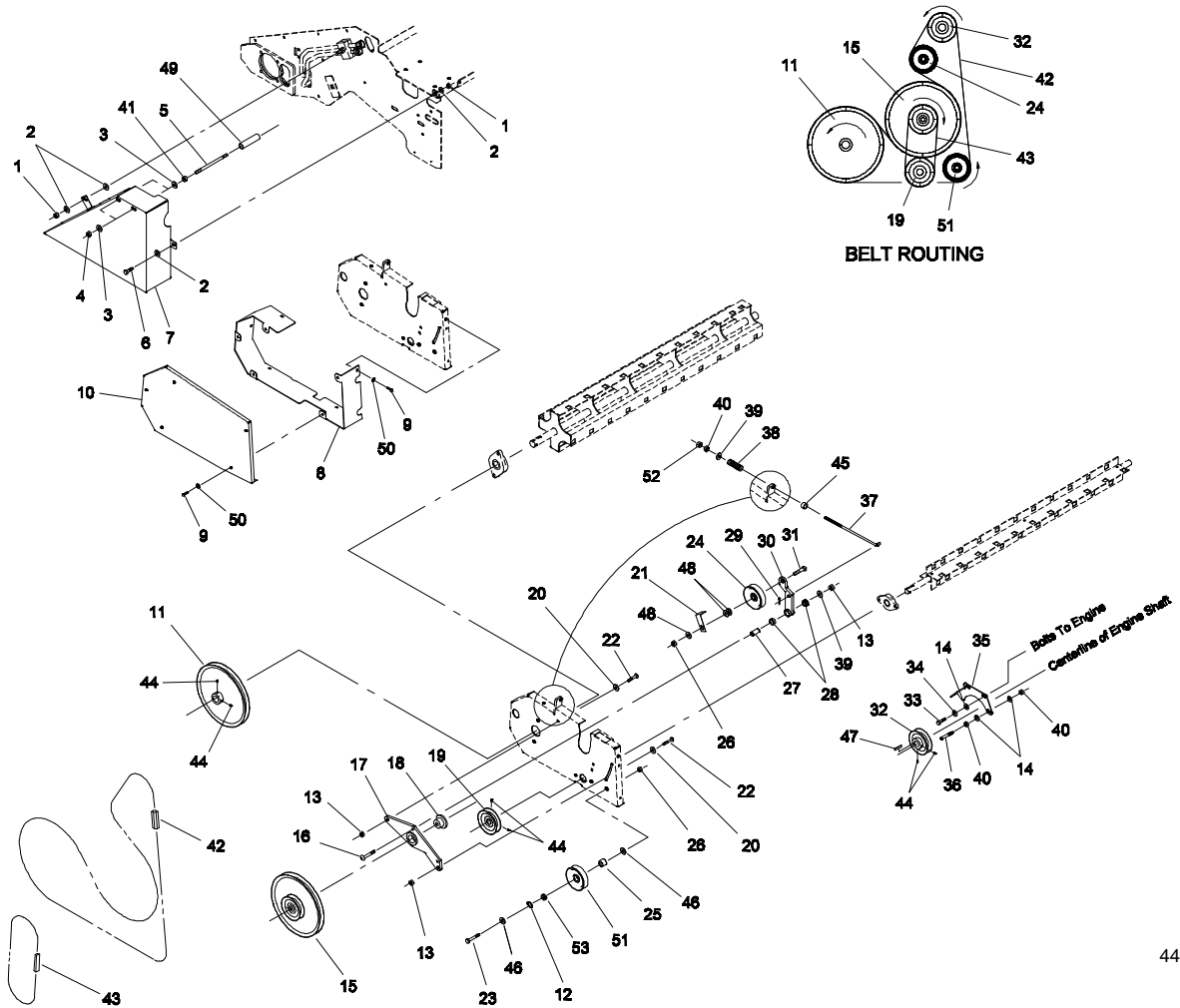
44044-5

BELT DRIVE

Ref. No.	Part No.	Description	No. Used
1	3296-29	Nut - Lock	2
2	3256-23	Washer - SAE	3
3	3256-5	Washer - SAE	4
4	3296-48	Nut - Lock	2
5	95-4800	All Thread	2
6	322-3	Capscrew - Hex Hd.	1
7	95-4854	Guard - Belt	1
8	95-4773	Belt - Retainer Assy	1
9	321-4	Capscrew - Hex Hd.	10
10	95-4853	Guard - Belt, Low er	1
11	95-0212	Pulley	1
12	95-4872	Ring - Snap	1
13	3296-22	Nut - Lock	3
14	3256-24	Washer - SAE	4
15	95-0302	Pulley	1
16	3231-8	Bolt - Carriage	1
17	95-0309	Adjustment Arm WA	1
18	95-0301	Bushing - Lock, Taper	1
-	321-4	Capscrew - Hex Hd. (Incl. w/#18)	2
19	95-0299	Pulley	1
20	3256-26	Washer - SAE	2
21	95-4817	Guide - Belt	1
22	3231-28	Bolt - Carriage	2
23	327-8	Capscrew - Hex Hd.	1

Ref. No.	Part No.	Description	No. Used
24	95-0303	Pulley	1
25	95-0209	Spacer	1
26	3296-53	Nut - Lock	2
27	95-0311	Tube - Pivot, Idler	1
28	256-247	Bushing	2
29	3272-10	Pin - Cotter	1
30	95-0332	Idler Arm WA	1
*	302-60	Fitting - Grease (Incl. w/#30)	1
31	327-7	Capscrew - Hex Hd.	1
32	95-0210	Pulley	1
33	323-6	Capscrew - Hex Hd.	2
34	3253-5	Washer - Lock	2
35	95-0337	Stop - Belt	1
36	21-1820	Pin - Stop, Belt	1
37	95-0321	Rod - Spring	1
38	95-4825	Spring - Idler	1
39	3256-4	Washer - Flat	2
40	3217-7	Nut - Hex	3
41	3217-8	Nut - Hex	2
42	95-0350	Belt	1
43	95-0351	Belt	1
44	01-163-0030	Screw - Set	6
45	01-172-0030	Collar - Lock	1
46	01-168-1014	Bushing - Machinery	2

* Not Illustrated



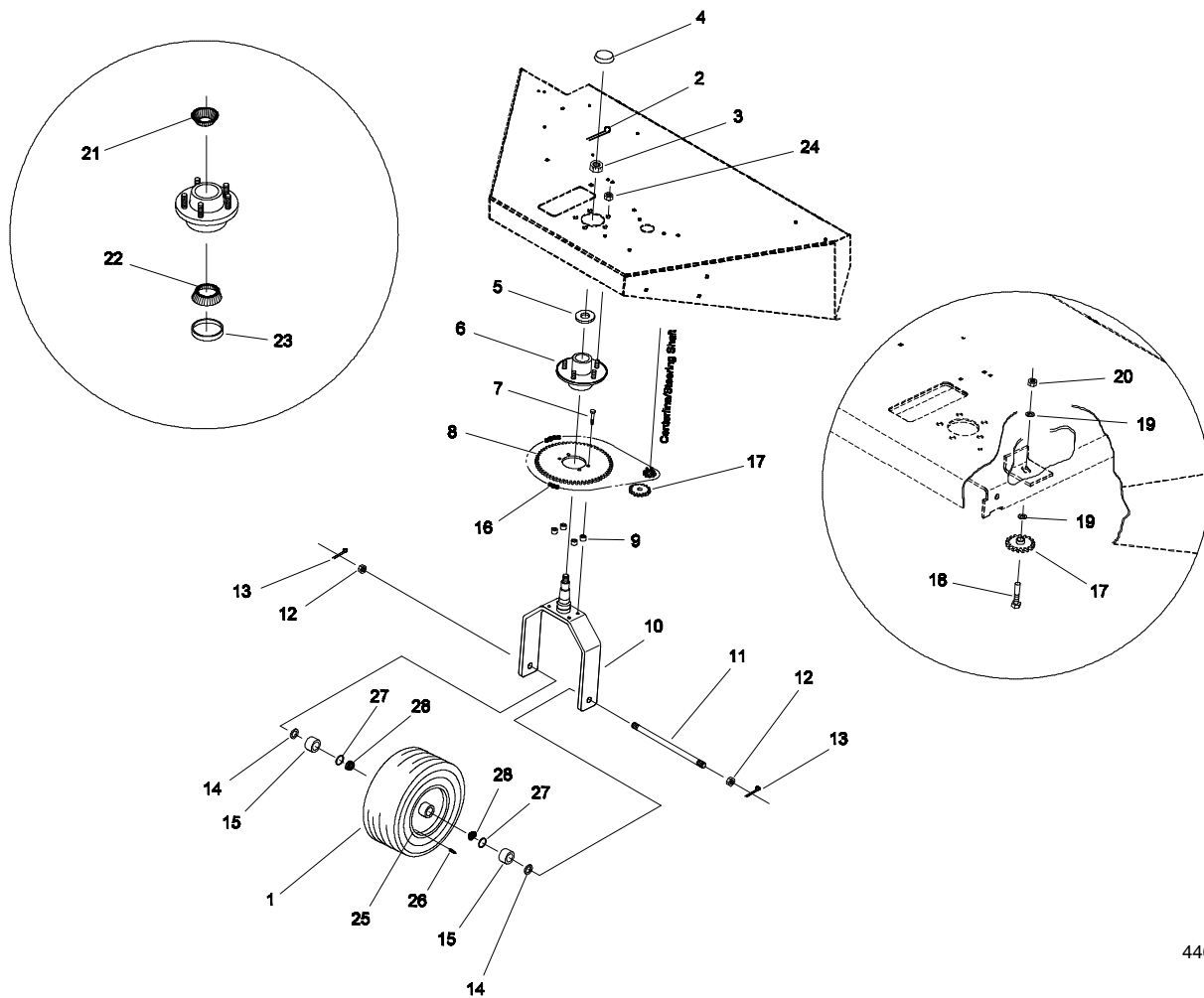
44044-5

BELT DRIVE (Continued)

Ref. No.	Part No.	Description	No. Used
47	5-4916	Key	1
48	3256-29	Washer - SAE	3
49	95-4799	Spacer - Guard	2
50	3256-22	Washer - SAE	10
51	95-4870	Pulley - Idler	1

Ref. No.	Part No.	Description	No. Used
52	3218-3	Nut - Jam	1
53	95-4871	Bearing	1
*	95-4876	Idler Pulley Assembly (Incl. #12,51,53)	1

* Not Illustrated



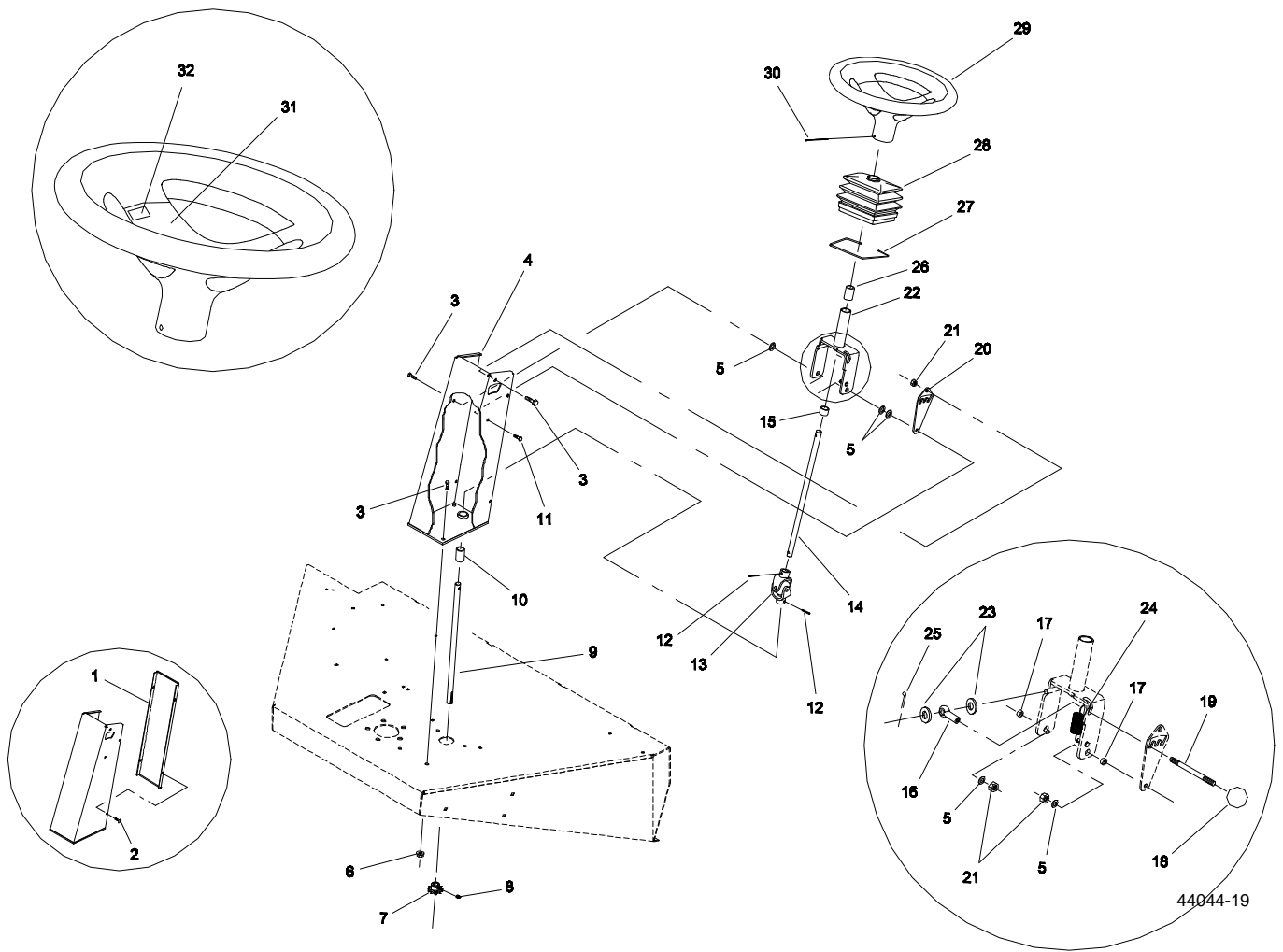
44044-8

YOKE ASSEMBLY

Ref. No.	Part No.	Description	No. Used
1	01-269-0320	Tire	1
2	3272-15	Pin - Cotter	1
3	01-190-1216	Nut - Castle	1
4	01-286-0040	Cap - Grease	1
5	3256-28	Washer - SAE	1
6	01-269-0140	Front Hub (Incl. #21 - 24)	1
7	323-11	Capscrew - Hex Hd.	4
8	95-4729	Sprocket - Steering	1
9	95-4730	Spacer - Sprocket	4
10	95-0008	Wheel - Yoke WA	1
11	95-0225	Axle-Front	1
12	01-190-1210	Nut - Castle	2
13	3272-23	Pin - Cotter	2
14	01-168-1210	Bushing - Machinery	2
15	01-269-0060	Axle Spacer	2

Ref. No.	Part No.	Description	No. Used
16	95-4796	Chain w /Master Link	1
*	2710-11	Master Link #40	1
17	01-262-0290	Sprocket - Idler	1
18	327-6	Capscrew - Hex Hd.	1
19	3256-27	Washer - SAE	1
20	3296-53	Nut - Lock	1
21	01-102-0070	Bearing	1
22	01-102-0050	Bearing	1
23	01-405-0370	Seal	1
24	242-50	Nut - Lug	5
25	01-269-1810	Wheel	1
26	232-24	Stem - Valve	1
27	01-405-0460	Seal	2
28	254-78	Bearing	2
*	01-269-1820	Tire & Wheel Ass'y (Incl. #1,25-28)	1

* Not Illustrated

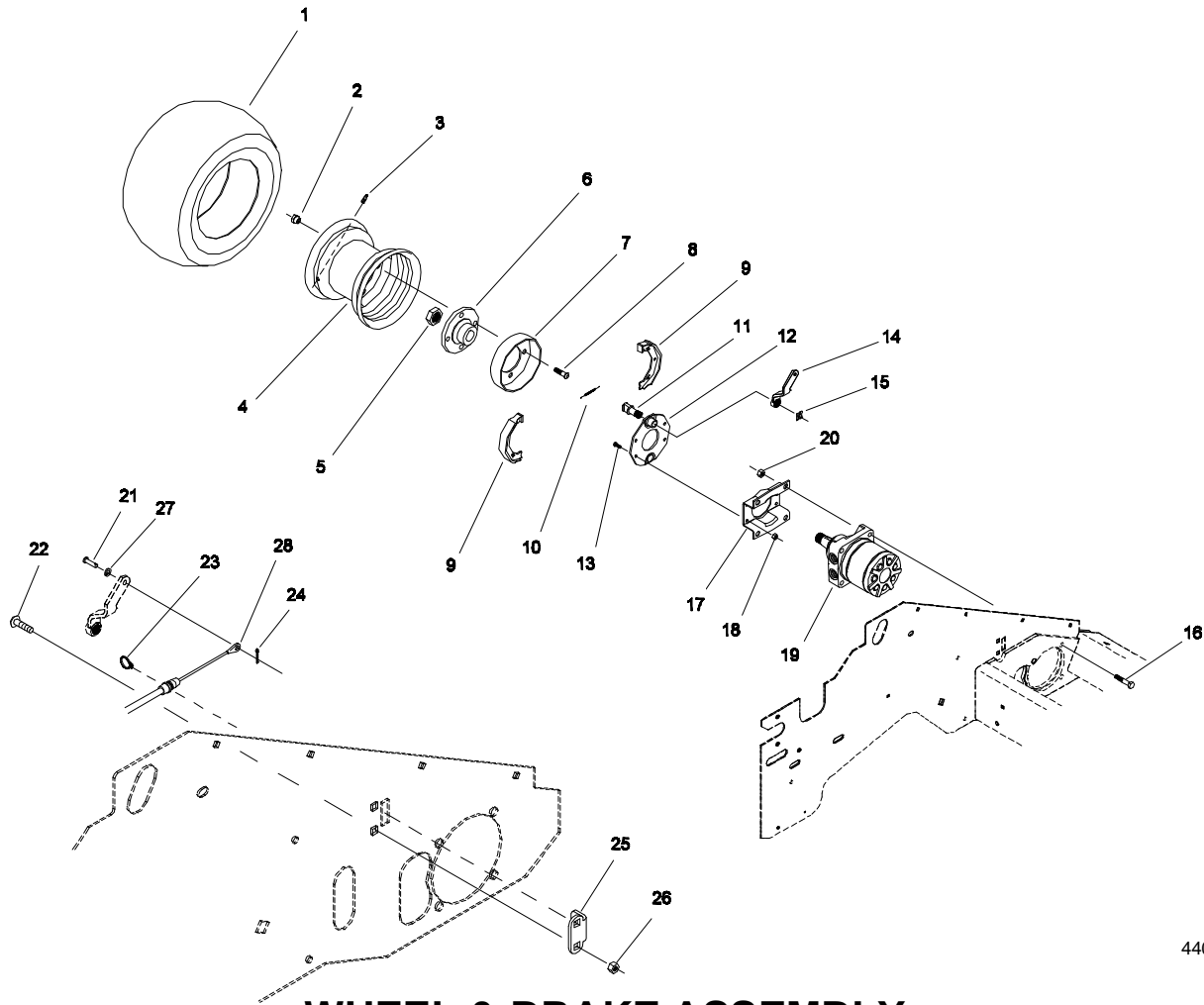


TILT ASSEMBLY

Ref. No.	Part No.	Description	No. Used
1	95-4746	Steering Cover Ass'y	1
2	87-6620	Screw - Special	4
3	322-5	Capscrew - Hex Hd.	6
4	95-4745	Housing - Steering (Incl. #10)	1
5	3256-23	Washer - SAE	5
6	32128-20	Nut - Flange Lock	4
7	95-4826	Sprocket - Steering	1
8	32121-112	Pin - Roll	1
9	95-0004	Shaft - Steering, Lower	1
10	95-4813	Bushing	1
11	322-6	Capscrew - Hex Hd.	1
12	32121-15	Pin - Roll	2
13	85-9200	Steering Knuckle	1
14	85-9220	Shaft - Steering, Upper	1
15	256-167	Bushing	1
16	95-4737	Rod End - Lever, Lift	1

Ref. No.	Part No.	Description	No. Used
17	85-9120	Spacer - Tilt Pivot	2
18	233-42	Knob	1
19	95-4736	Shaft - Lever, Lift	1
20	95-4738	Sprocket - Adj, Tilt	1
21	3296-29	Nut - Lock	3
22	95-4744	Steering Bracket WA (Incl. #15,26)	1
23	3256-24	Washer - SAE	2
24	95-4798	Spring - Tilt	1
25	3272-10	Pin - Cotter	1
26	256-185	Bushing	1
27	85-8930	Retainer - Boot	1
28	95-4714	Boot - Steering	1
29	98-1470	Wheel - Steering, Soft	1
30	32121-111	Pin - Roll	1
*	95-4744	Steering Bracket (Incl. #15,22,26)	1

* Not Illustrated



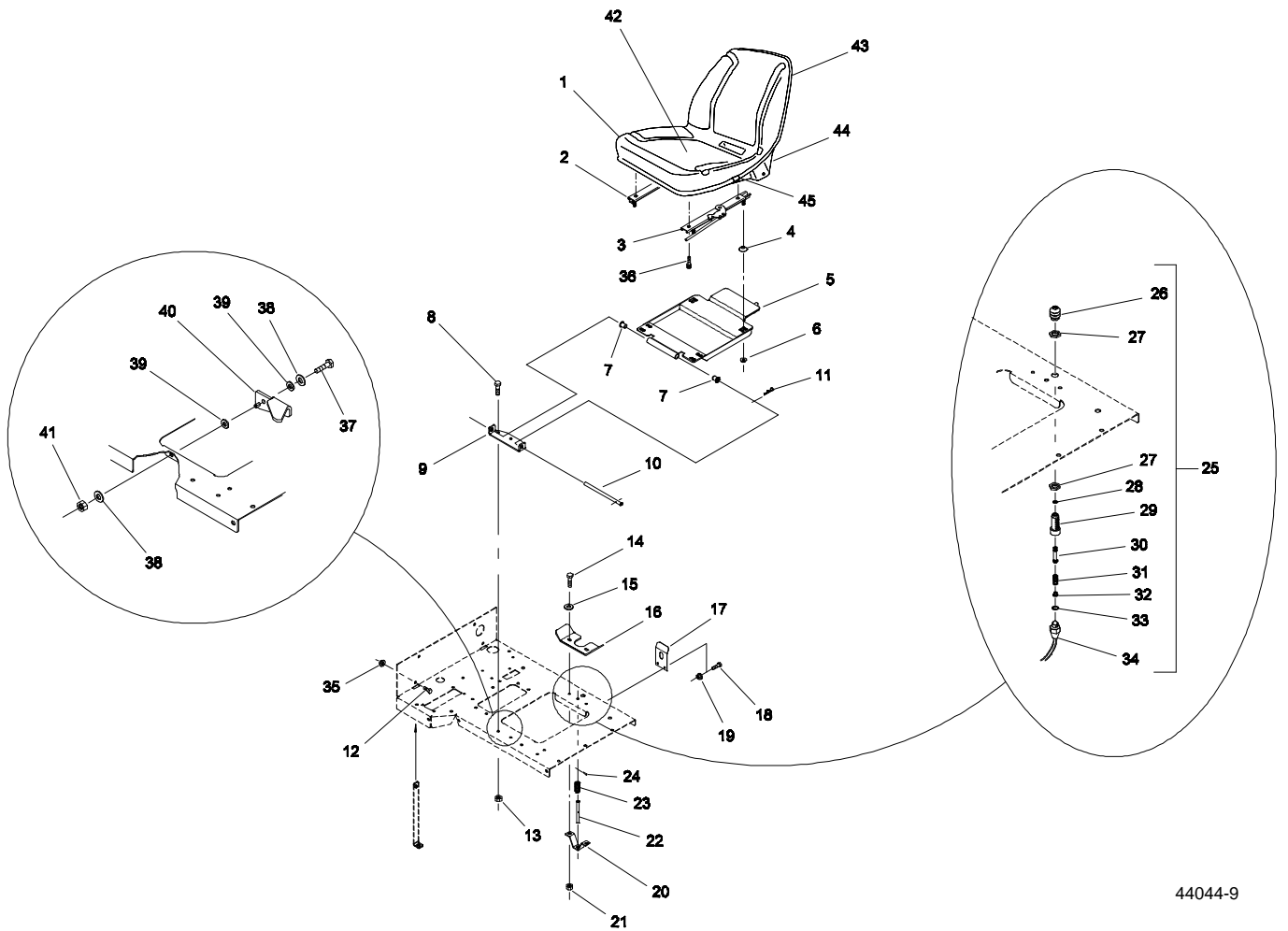
44044-12

WHEEL & BRAKE ASSEMBLY

Ref. No.	Part No.	Description	No. Used
1	95-0177	Tire - Tubeless	2
2	242-50	Nut - Lug	8
3	232-24	Stem - Valve	2
4	217-60	Rim	2
5	26-3790	Nut - Spindle	2
6	10-6870	Hub - Wheel	2
7	10-6850	Drum - Brake	2
8	85-6540	Stud - Drive	8
9	70-9840	Shoe - Brake	4
10	70-9880	Spring - Return	4
11	70-9860	Cam - Brake	2
12	70-9870	Plate - Backing	2
13	321-5	Capscrew - Hex Hd.	8
14	80-7400	Lever	2
15	70-9850	Clip - Retaining	2
16	325-13	Capscrew - Hex Hd.	8

Ref. No.	Part No.	Description	No. Used
17	84-2000	Bracket - Brake	2
18	3296-42	Nut - Lock	8
19	92-9199	Motor - Hydraulic	2
20	3296-23	Nut - Lock	8
21	283-62	Pin - Clevis	2
22	3231-2	Bolt - Carriage	4
23	32120-47	Ring - Retaining	2
24	3272-10	Pin - Cotter	2
25	92-4698	Mount - Cable, Brake	2
26	3296-22	Nut - Lock	4
27	3256-23	Washer - SAE	2
28	95-0025	Cable - Brake, RH (Shown)	1
*	95-0287	Cable - Brake, LH	1
*	71-1500	Brake Ass'y (Incl. #9,10,11,12,15)	2
*	10-6821	Brake Drum Ass'y (Incl. #6,7,8)	2
*	95-0293	Tire Ass'y (Incl. #1,3,4)	2

* Not Illustrated

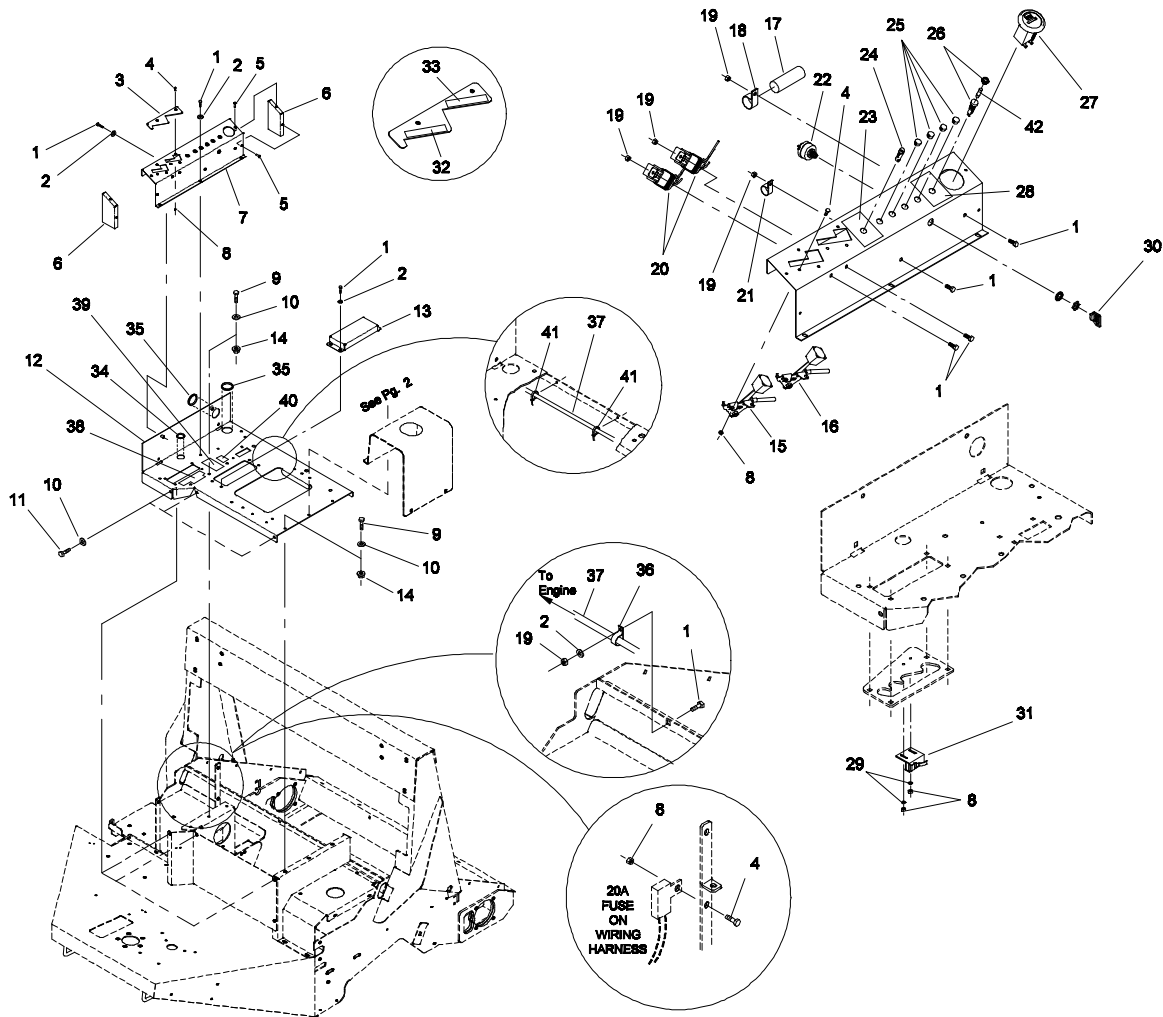


44044-9

SEAT ASSEMBLY

Ref. No.	Part No.	Description	No. Used
1	92-1180	Seat Assembly (Incl. #42 - 45)	1
2	95-4763	Adjuster - Seat	1
3	95-4764	Adjuster - Seat, Handle	1
4	66-9290	Suspension Spacer	4
5	95-0377	Seat Plate WA	1
6	32128-20	Nut - Flange Lock	4
7	256-155	Bushing	2
8	323-6	Capscrew - Hex Hd.	2
9	95-0379	Bracket - Pivot, Seat	1
10	49-5880	Shaft - Seat Support	1
11	3290-467	Pin - Hair	1
12	323-4	Capscrew - Hex Hd.	2
13	3296-22	Nut - Lock	2
14	322-5	Capscrew - Hex Hd.	2
15	3256-23	Washer - SAE	2
16	95-0382	Bracket - Rest, Seat	1
17	66-2630	Latch Seat	1
18	321-2	Capscrew - Hex Hd.	2
19	32128-33	Nut - Flange Lock	2
20	95-0191	Bracket - Seat Spring	1
21	3296-29	Nut - Lock	2
22	51-0350	Pin - Seat Spring	1
23	3-6685	Spring - Compression	1

Ref. No.	Part No.	Description	No. Used
24	3284-3	Pin - Groove	1
25	43-9071	Sw itch - Limit (Incl. #26-34)	1
26	43-8870	Boot - Sw itch	1
27	218-461	Nut - Hex	2
28	237-7	Seal - O - Ring	1
29	43-8620	Guide - Sw itch	1
30	43-8860	Plunger - Sw itch	1
31	43-8600	Spring - Compression	1
32	43-8610	Seat - Ball	1
33	237-30	Seal - O - Ring	1
34	72-4320	Sw itch - Ball	1
35	32128-43	Nut - Flange Lock	4
36	3274-12	Screw - Socket	4
37	323-9	Capscrew - Hex Hd.	1
38	3256-4	Washer - Flat	2
39	95-4896	Washer - Nylon	2
40	95-4894	Prop - Seat, Welded	1
41	3296-39	Nut - Lock	1
42	92-6533	Seat Cushion Assembly (Incl. #45)	1
43	351-78	Edging - Seat	1
44	92-6534	Shell - Seat	1
45	351-80	Clip - Edging	1



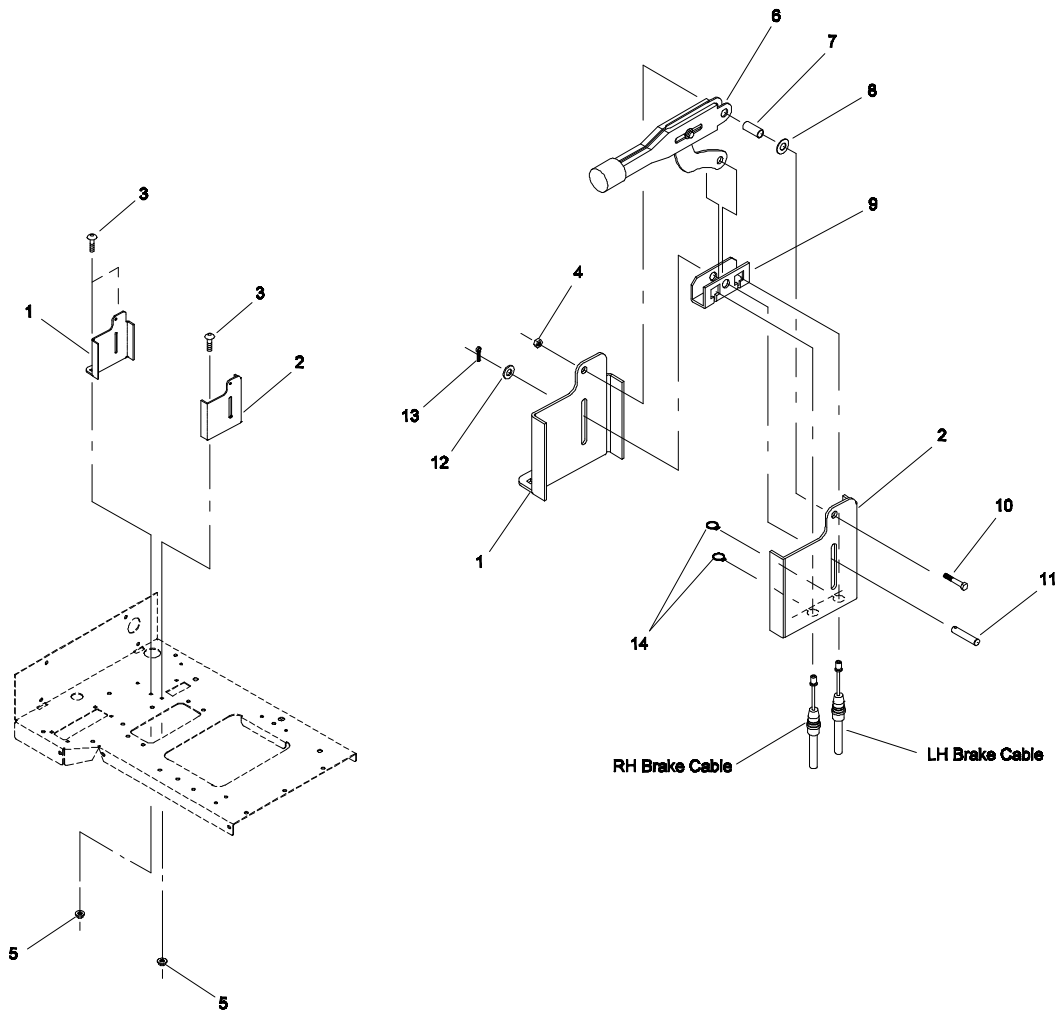
44044-10

CONTROL PANEL

Ref. No.	Part No.	Description	No. Used
1	321-4	Capscrew - Hex Hd.	15
2	3256-22	Washer - SAE	10
3	95-0269	Plate - Cover	1
4	3290-134	Machine Screw - Hex Hd.	7
5	3269-4	Rivet - Pop	4
6	95-0186	Cap - End, Panel	2
7	92-4694	Panel - Control	1
8	3296-2	Nut - Lock	9
9	323-6	Capscrew - Hex Hd.	4
10	3256-24	Washer - SAE	7
11	323-4	Capscrew - Hex Hd.	3
12	95-4772	Access Cover Ass'y	1
13	95-0329	Cover - Top	1
14	32128-43	Nut - Flange Lock	4
15	95-4816	Control Ass'y - Throttle	1
16	95-0286	Control Ass'y - Choke	1
17	37-2690	Capacitor	1
18	2412-74	R-Clamp	1
19	3296-42	Nut - Lock	5
20	70-1480	Relay - Sealed, w /Brkt.	2
21	2412-73	R-Clamp	1

Ref. No.	Part No.	Description	No. Used
22	27-2360	Switch - Key	1
23	95-0383	Decal - Oil	1
24	87-8580	Light - Indicator	1
25	95-4765	Plug - Hole	4
26	218-489	Holder - Fuse	1
27	66-2950	Hour Meter	1
28	95-0384	Decal - Fuse	1
29	3256-21	Washer - SAE	2
30	63-8360	Key - Ignition, w /Shield	1
31	92-7905	Switch & Bracket Assembly	1
32	95-0370	Decal - Throttle	1
33	95-0371	Decal - Choke	1
34	240-5	Grommet	1
35	240-7	Grommet	2
36	2412-134	R-Clamp	1
37	95-0282	Harness - Wire	1
38	95-0390	Decal - Operation, Reels	1
39	95-0389	Decal - Operation, Starting	1
40	87-6020	Decal - Parking Brake	1
41	3290-410	Tie - Push Mount	2
42	95-4858	Fuse, 5A	1
*	----	Fuse, 20A (Obtain Locally)	1

* Not Illustrated

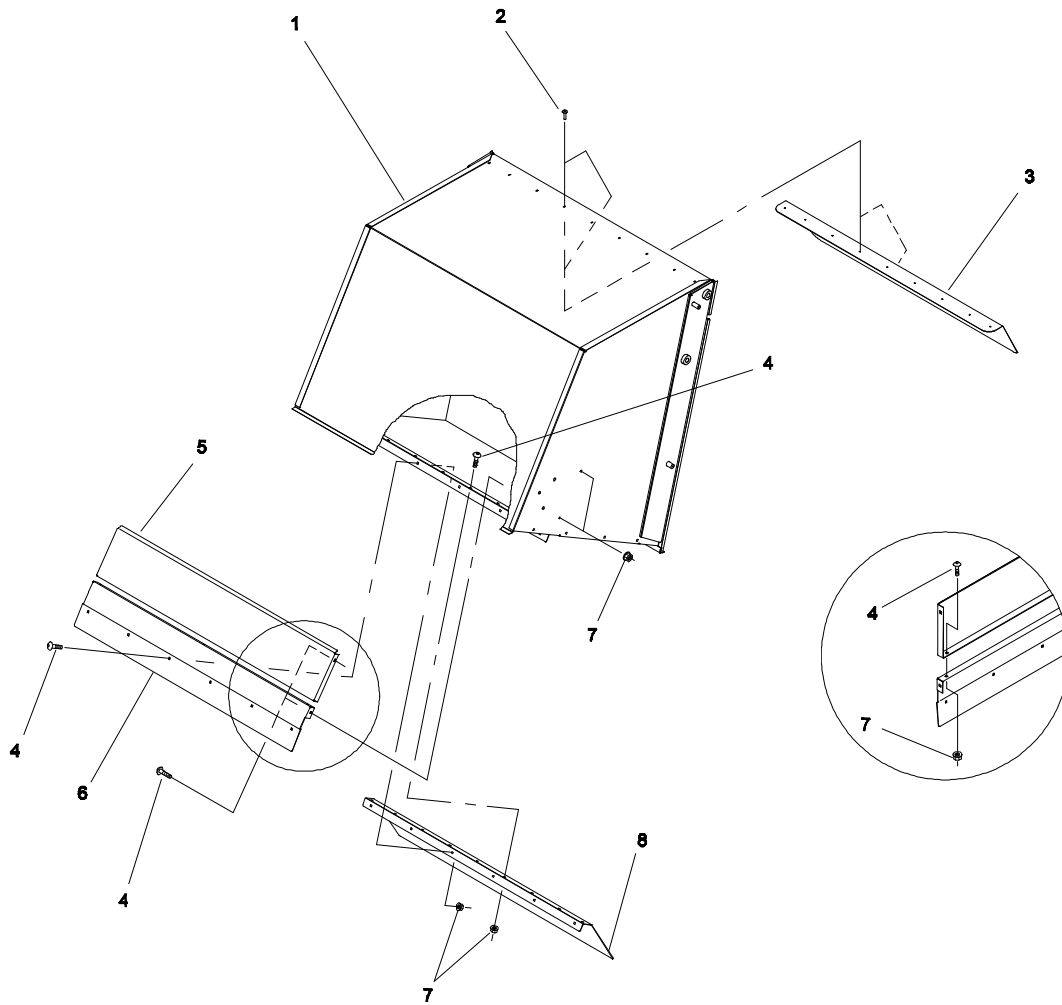


44044-11

PARKING BRAKE ASSEMBLY

Ref. No.	Part No.	Description	No. Used
1	95-0010	Mount - Brake RH	1
2	95-0009	Mount - Brake LH	1
3	3229-1	Bolt - Carriage	3
4	3296-42	Nut - Lock	1
5	32128-33	Nut - Flange Lock	3
6	87-2710	Lever Brake	1
7	87-4710	Spacer - Parking, Brake	1

Ref. No.	Part No.	Description	No. Used
8	3290-477	Washer - Curved	1
9	87-3480	Bracket - Equalizer, Cable	1
10	321-9	Capscrew - Hex Hd.	1
11	283-14	Pin - Clevis	1
12	3256-23	Washer - SAE	1
13	3272-6	Pin - Cotter	1
14	32120-47	Ring - Retaining	2

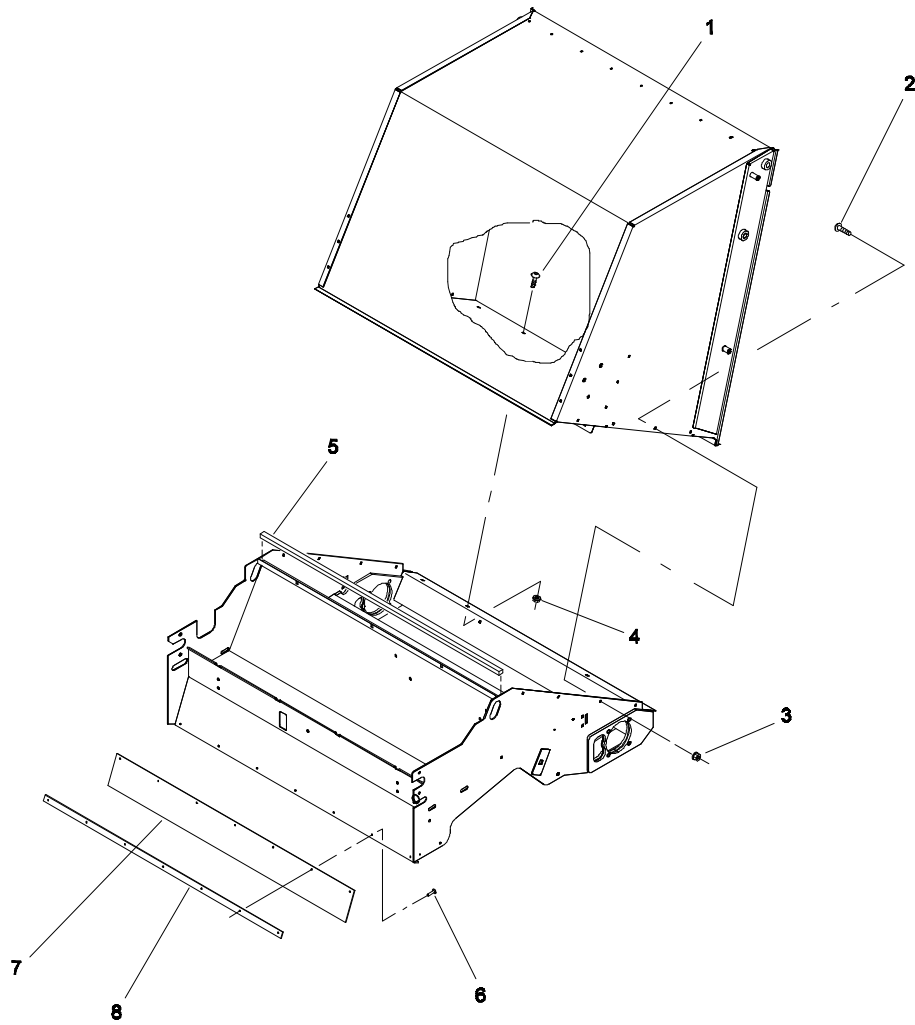


44044-13

HOPPER ASSEMBLY

Ref. No.	Part No.	Description	No. Used
1	95-0238	Hopper WA	1
2	3269-22	Rivet - Pop	14
3	95-0240	Deflector - Top Hopper	1
4	3229-22	Bolt - Carriage	22

Ref. No.	Part No.	Description	No. Used
5	95-4814	Baffle - Hopper Inlet, Upper	1
6	95-4815	Baffle - Hopper Inlet, Lower	1
7	32128-33	Nut - Flange Lock	22
8	95-0234	Deflector - Bottom Hopper	1

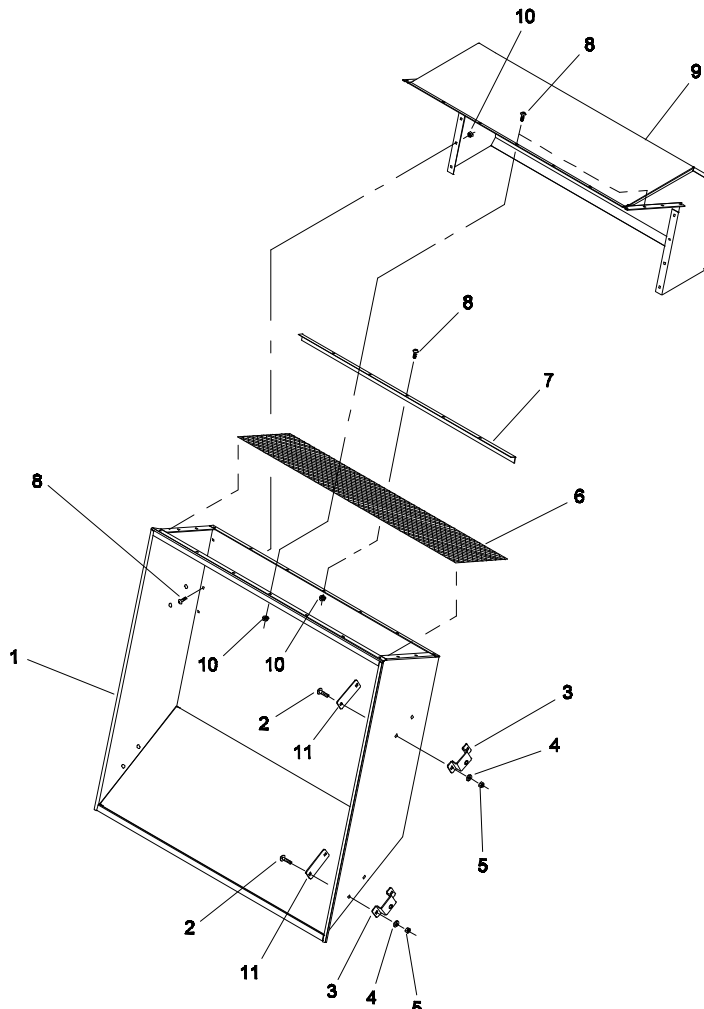


44044-14

HOPPER MOUNTING

Ref. No.	Part No.	Description	No. Used
1	3230-2	Bolt - Carriage	4
2	3229-1	Bolt - Carriage	8
3	32128-33	Nut - Flange Lock	8
4	32128-20	Nut - Flange Lock	4

Ref. No.	Part No.	Description	No. Used
5	95-4788	Sponge - Neoprene	1
6	01-161-0090	Rivet - Pop	7
7	95-4802	Skirt - Rubber	1
8	95-4803	Bar - Reinforcement	1

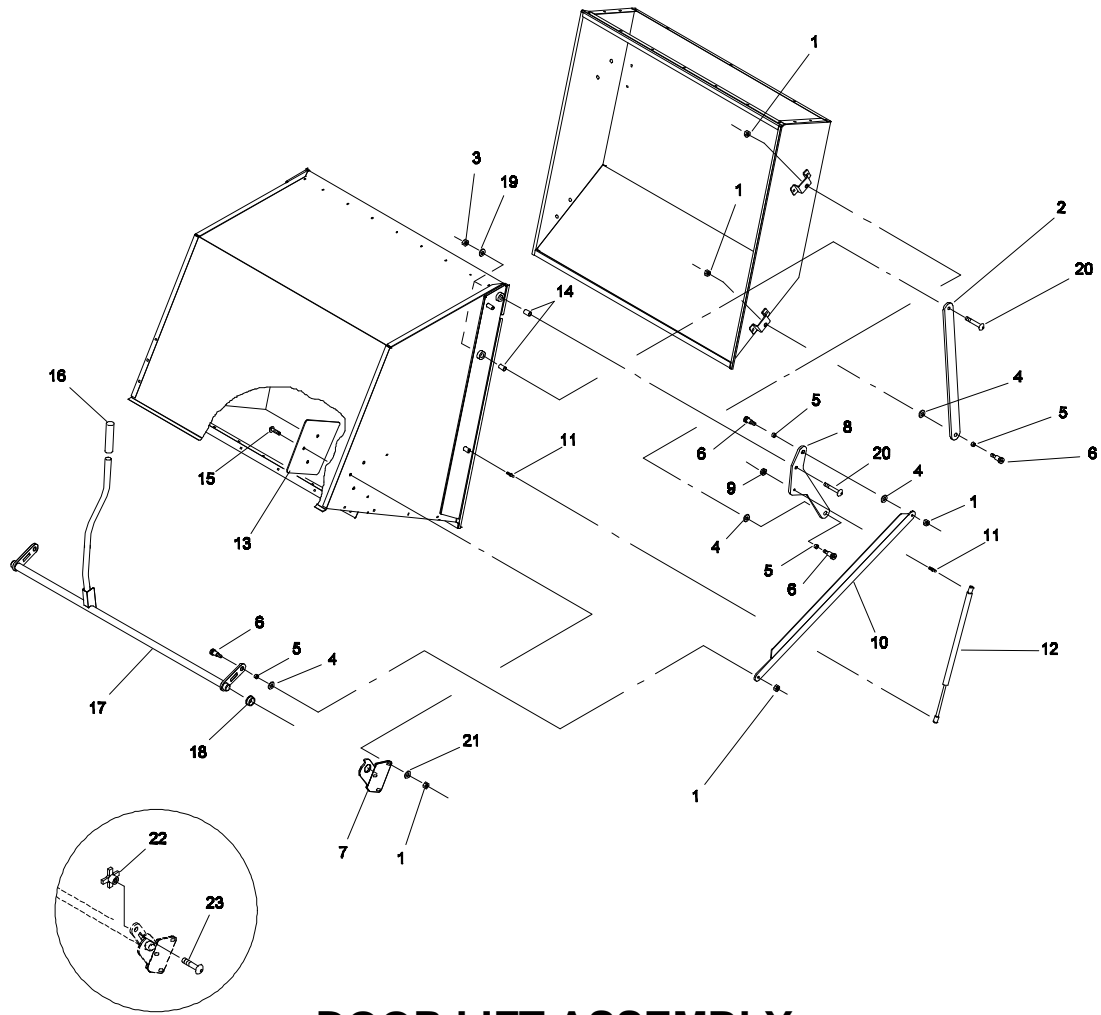


44044-15

DOOR ASSEMBLY

Ref. No.	Part No.	Description	No. Used
1	95-0249	Door - Hopper WA	1
2	3231-2	Bolt - Carriage	8
3	95-0247	Hinge - Door	4
4	3256-24	Washer - SAE	8
5	3296-22	Nut - Lock	8
6	95-0231	Hood - Screen	1

Ref. No.	Part No.	Description	No. Used
7	95-0253	Screen - Clamp	1
8	3229-1	Bolt - Carriage	26
9	95-0250	Hood WA	1
10	32128-33	Nut - Flange Lock	26
11	95-4829	Plate - Reinforcement	4



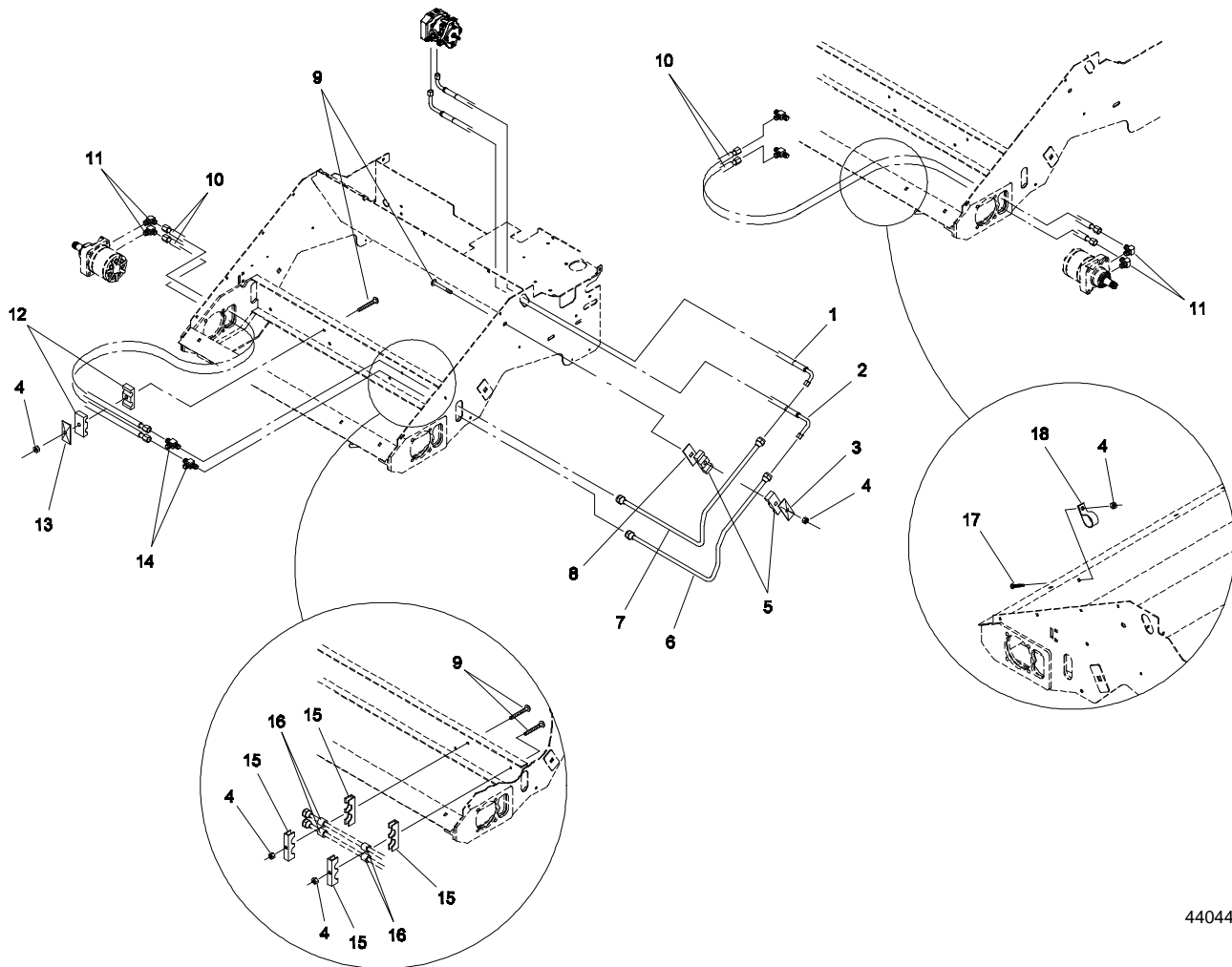
44044-16

DOOR LIFT ASSEMBLY

Ref. No.	Part No.	Description	No. Used
1	3296-22	Nut - Lock	14
2	95-0313	Link - Door, Lower	2
3	3296-53	Nut - Lock	4
4	3256-26	Washer - SAE	8
5	47-2890	Bushing	8
6	95-4857	Bolt - Shoulder	8
7	95-4767	Bracket - Door, Lift LH	1
*	95-0352	Bracket - Door, Lift RH	1
8	95-0316	Link - Door, Upper	2
9	32128-20	Nut - Flange Lock	2
10	95-0315	Link - Lift, LH	1
*	95-0393	Link - Lift, RH	1
11	95-0275	Ball - Stud	4

Ref. No.	Part No.	Description	No. Used
12	95-4902	Spring - Gas	2
13	95-4781	PL - Sup., Hopper Str.	2
14	17-1620	Bushing - Straight	4
15	3231-28	Bolt - Carriage	6
16	01-259-0010	Handle Grip	1
17	95-0322	Door Lift WA	1
18	01-126-0110	Bushing	2
19	3256-27	Washer - SAE	4
20	3233-32	Bolt - Carriage	4
21	3256-24	Washer - SAE	6
22	95-4769	Knob - Clamping	1
23	3233-1	Bolt - Carriage	1

* Not Illustrated

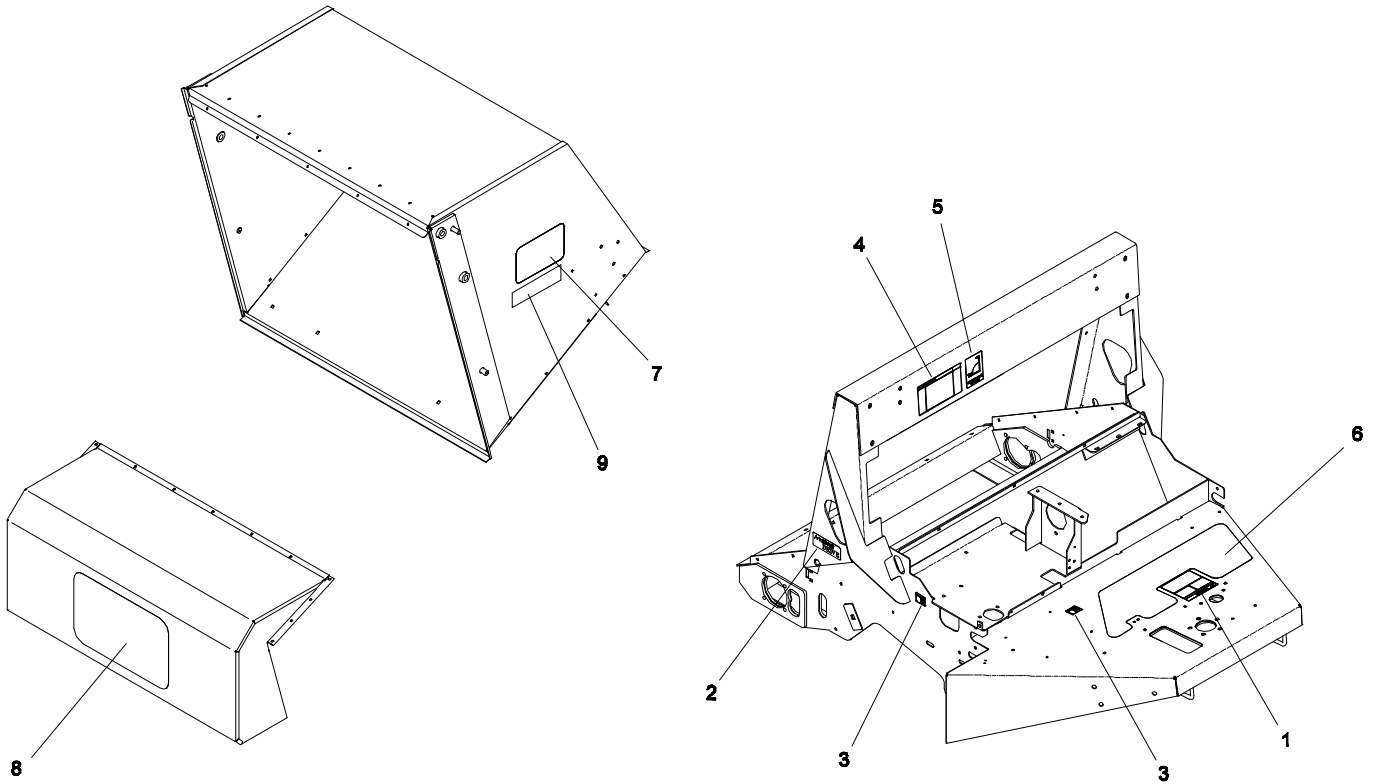


44044-21

HYDRAULIC TUBES & HOSES

Ref. No.	Part No.	Description	No. Used
1	95-4755	Hose - Hydraulic	1
2	95-4754	Hose - Hydraulic	1
3	95-4795	Plate - Clamp	1
4	3296-29	Nut - Lock	4
5	95-4794	Clamp - Tw in	1
6	95-0264	Tube - Asm	1
7	95-0263	Tube - Asm	1
8	95-4793	Plate - Clamp	1
9	3230-32	Bolt - Carriage	4

Ref. No.	Part No.	Description	No. Used
10	95-4753	Hose - Hydraulic	4
11	340-17	Fitting - Hydraulic	4
12	95-4791	Clamp - Tw in	1
13	95-4792	Plate - Clamp	1
14	340-19	Tee - Hydraulic	2
15	95-0277	Bracket - Tube	4
16	95-0276	Bushing - Rubber	4
17	3230-1	Bolt - Carriage	1
18	92-4372	R-Clamp	1

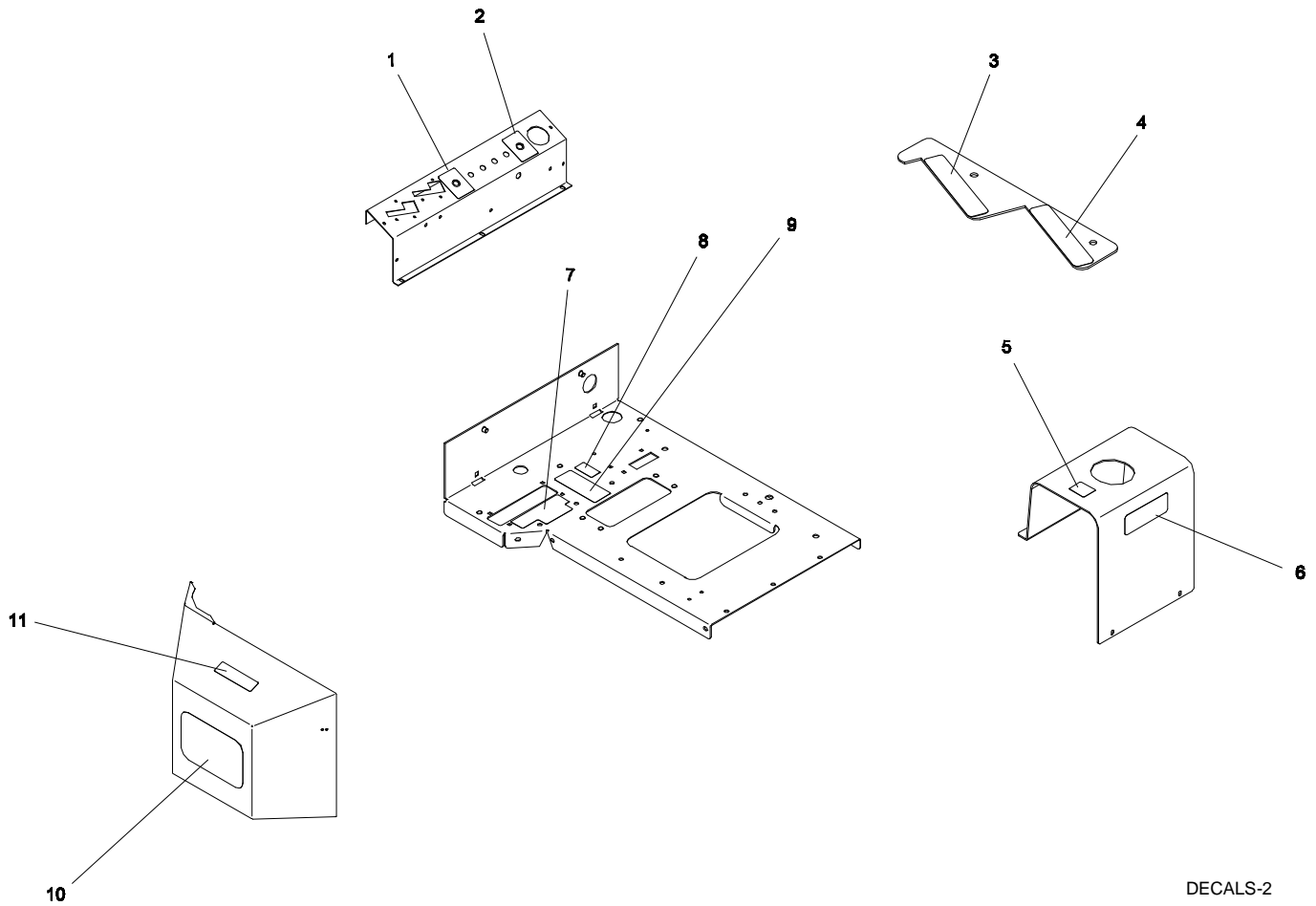


DECALS-3

DECALS

Ref. No.	Part No.	Description	No. Used
1	01-506-0090	Decal - Slopes	1
2	82-4600	Decal - Hydro Drive	2
3	88-8950	Decal - Warning	2
4	95-0387	Decal - Operating Instructions	1
5	95-0388	Decal - Operating, Hopper	1

Ref. No.	Part No.	Description	No. Used
6	95-0398	Tread - Floorboard	1
7	66-6140	Decal - Toro	2
8	67-7920	Decal - Logo (Lg)	1
9	01-506-0650	Decal - Turf Sweeper 4800	2

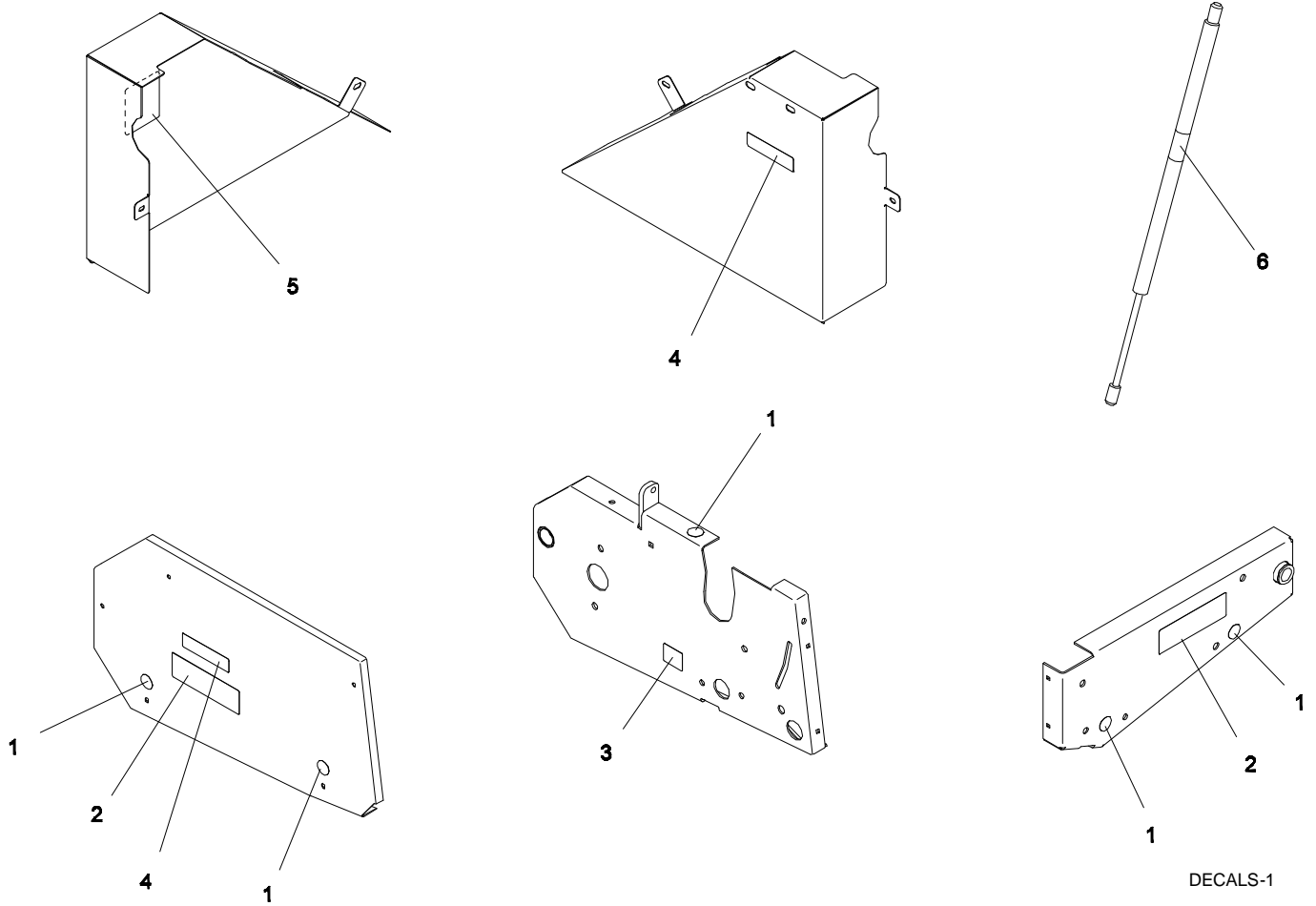


DECALS-2

DECALS (Continued)

Ref. No.	Part No.	Description	No. Used
1	95-0383	Decal - Oil Light	1
2	95-0384	Decal - Fuse	1
3	95-0370	Decal - Throttle	1
4	95-0371	Decal - Choke	1
5	53-4420	Decal - Gas	1
6	27-7310	Decal - Refueling	1

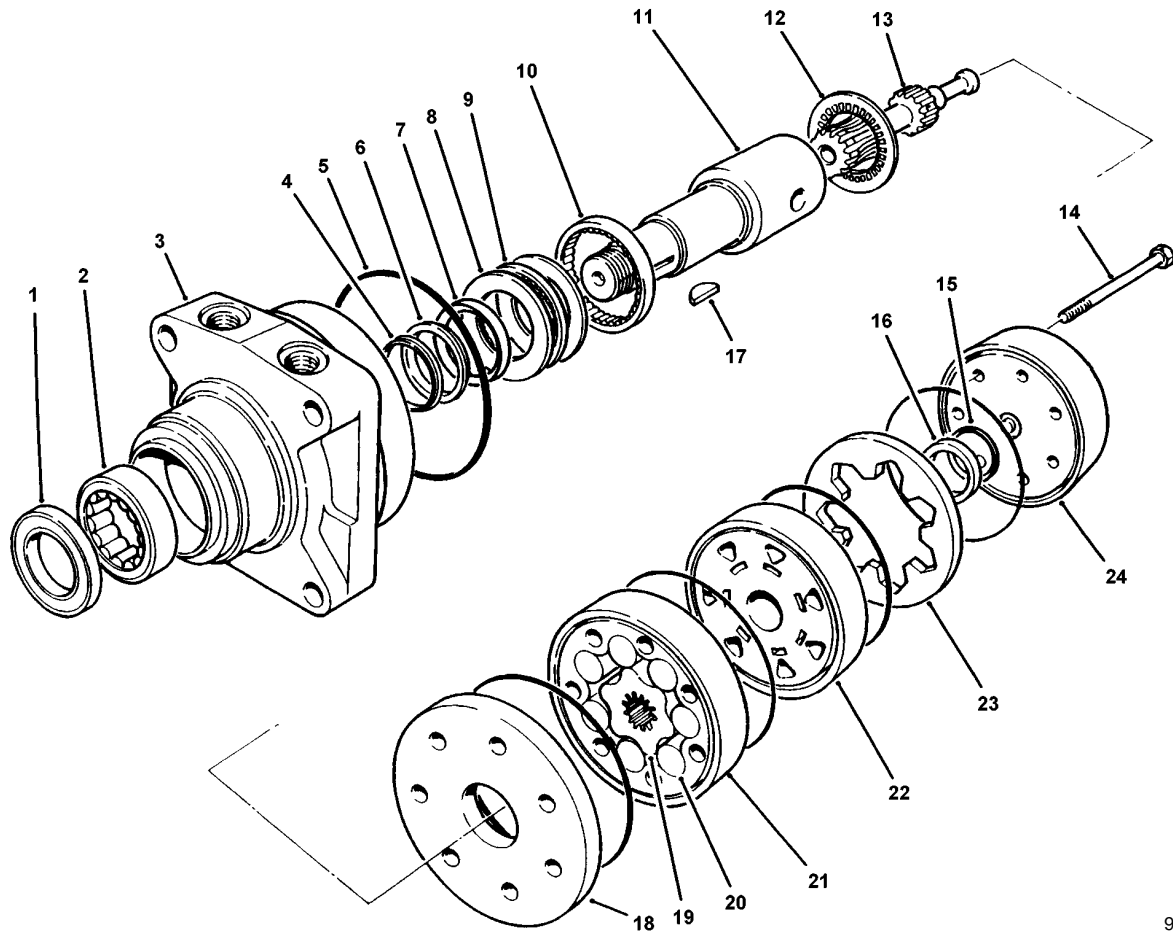
Ref. No.	Part No.	Description	No. Used
7	95-0390	Decal - Operation, Reels	1
8	87-6020	Decal - Parking Brake	1
9	95-0389	Decal - Operation, Starting	1
10	67-7320	Decal - Logo	1
11	67-5360	Decal - Danger	1



DECALS (Continued)

Ref. No.	Part No.	Description	No. Used
1	58-6520	Decal - Grease	5
2	01-506-0080	Decal - Hands & Feet Clear	2
3	88-8950	Decal - Warning	1

Ref. No.	Part No.	Description	No. Used
4	67-5360	Decal - Danger	2
5	95-4750	Decal - Routing, Belt	1
6	85-7490	Decal - Warning	2



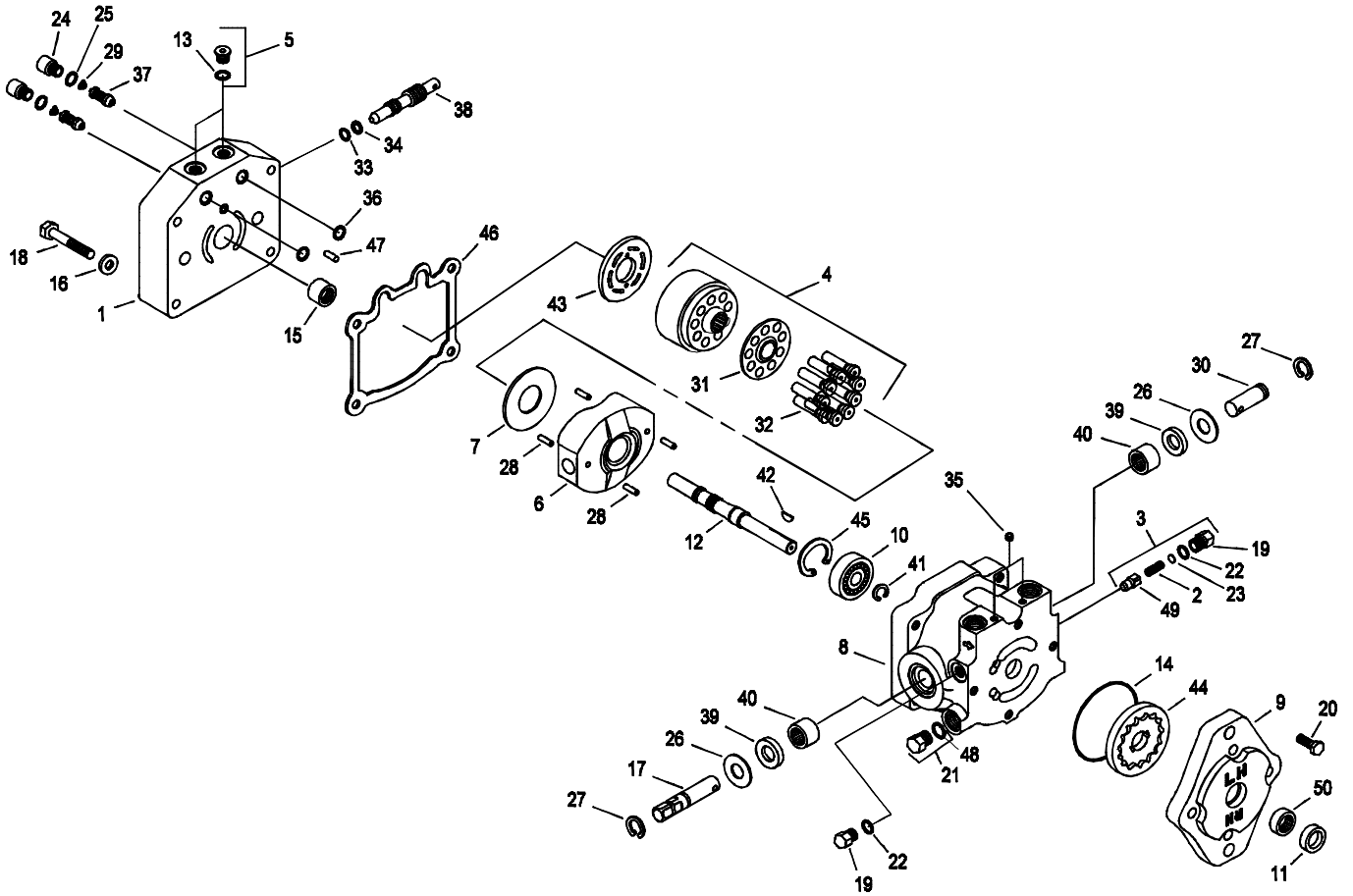
92-9199

HYDRAULIC MOTOR ASSEMBLY - NO. 92-9199

Ref. No.	Part No.	Description	No. Used
1		Seal - Dirt & Water	1
2		Bearing	1
3		Housing	1
4		Washer - Back-Up	1
5		Ring - Seal	5
6		Washer - Back-Up	1
7		Seal - Inner	1
8		Washer - Thrust	2
9		Bearing - Thrust	1
10		Bearing	1
11	76-0860	Shaft - Coupling	1
12	76-0850	Bearing - Thrust	1
13	92-9761	Link - Drive	7
14	92-9762	Screw - Cap Hex Hd.	1
15		Seal - Commutator	1
16		Commutator	1

Ref. No.	Part No.	Description	No. Used
17	3257-42	Key - Woodruff	1
18	76-0870	Plate - Wear	1
19		Rotor	1
20		Vane	7
21		Stator	1
22	76-0840	Manifold	1
23		Ring - Commutator	1
24	76-0940	End Cover Assembly	1
*	92-9763	Rotor Set (Incl. #19-21)	1
*	76-0880	Commutator Assembly (Incl. #15,16 &23)	1
*	94-8178	Seal Kit (Incl. #1,4-7 & 15)	1
*	76-0810	Housing Assembly (Incl. #2,3 & 8-10)	1

* Not Illustrated

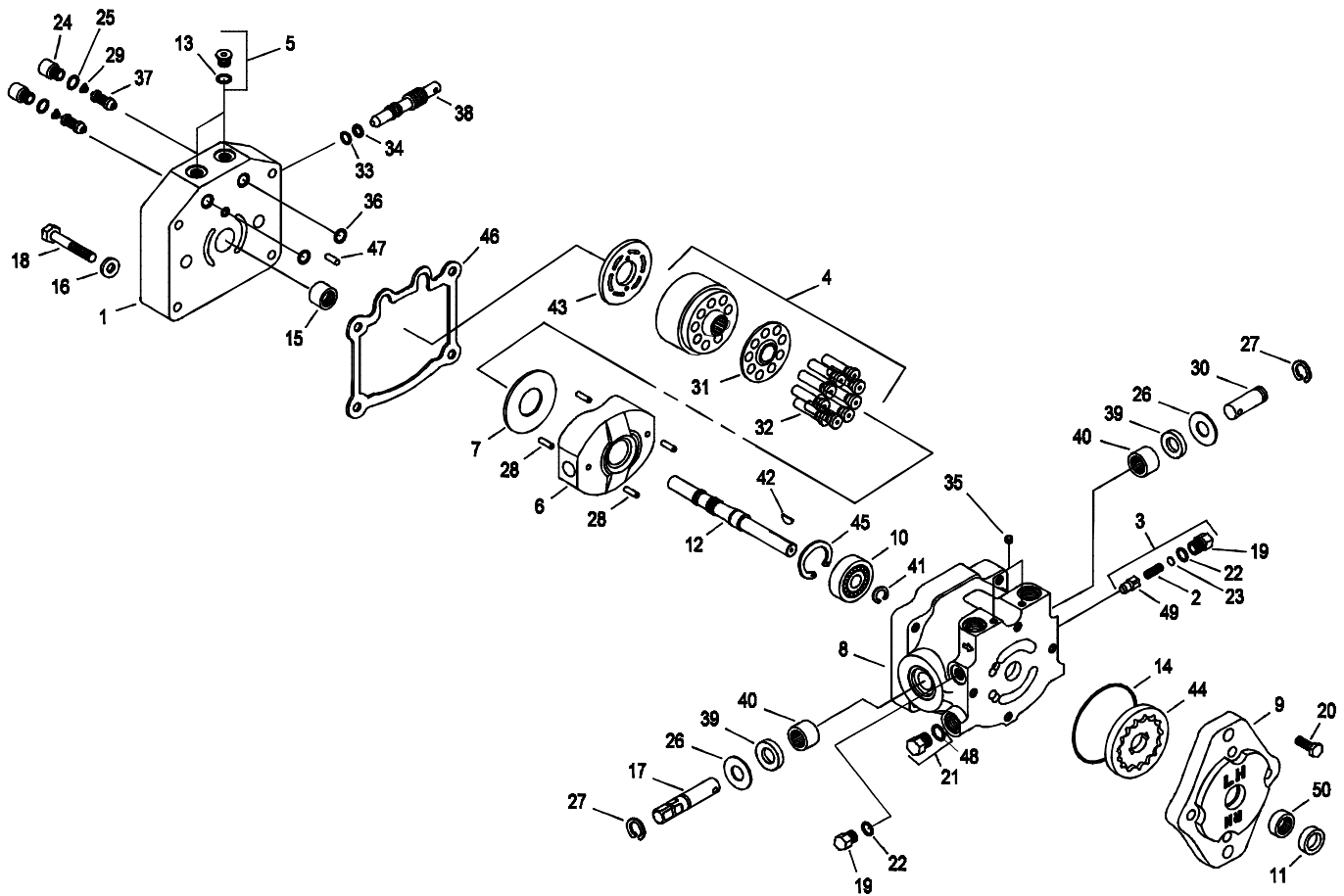


95-0156

HYDRAULIC PUMP ASSEMBLY - NO. 95-0156

Ref. No.	Part No.	Description	No. Used
1	95-4897	Cap - End	3
2	25-2480	Spring	1
3	49-8510	Kit - Charge Relief (Incl. #2,19,22,23,49)	1
4	48-1800	Kit - Cylinder Block (Incl. #31-32)	1
5	75-0170	Plug (Incl. #13)	2
6	25-2450	Sw ashplate	1
7	25-2380	Plate - Thrust	1
8	95-4898	Asm - Housing, Variable	1
9	25-2690	Housing - Pump, Charge	1
10	95-5809	Bearing - Ball	1
11	93-4133	Seal - Lip	1
12	95-4899	Shaft	1
13	92-8777	O-Ring	2
14	95-4904	O-Ring	1
15	67-8080	Bearing - Roller	1
16	93-0312	Washer	1
17	88-8180	Shaft - Trunnion	1
18	323-12	Capscrew - Hex Hd.	4
19	25-2460	Plug	2
20	322-4	Capscrew - Hex Hd.	4
21	88-8210	Plug (Incl. Ref. #48)	1

Ref. No.	Part No.	Description	No. Used
22	28-3550	O-Ring	2
23	25-2470	Kit - Shim	1
24	95-4900	Plug	2
25	75-0240	O-Ring	2
26	25-2510	Washer	2
27	32151-79	Ring - Retaining	2
28	83-3880	Pin - Coiled, Spring	4
29	75-0140	Spring	2
30	25-2500	Shaft - Trunnion	1
31		Retainer - Slipper	1
32		Asm - Piston	9
33	69-3840	O-Ring	1
34	25-2630	Ring - Backup	1
35	75-0160	Plug - Pipe	2
36	95-4903	O-Ring	2
37	95-4901	Valve - SCR	2
38	88-8220	Valve - Bypass	1
39	25-3210	Seal - Lip	2
40	28-3310	Bearing - Needle	2
41	94-3996	Ring - Retaining	1
42	3257-32	Key - Woodruff	1
43	88-8160	Plate - Valve	1
44	95-5812	Asm - Gerotor	1



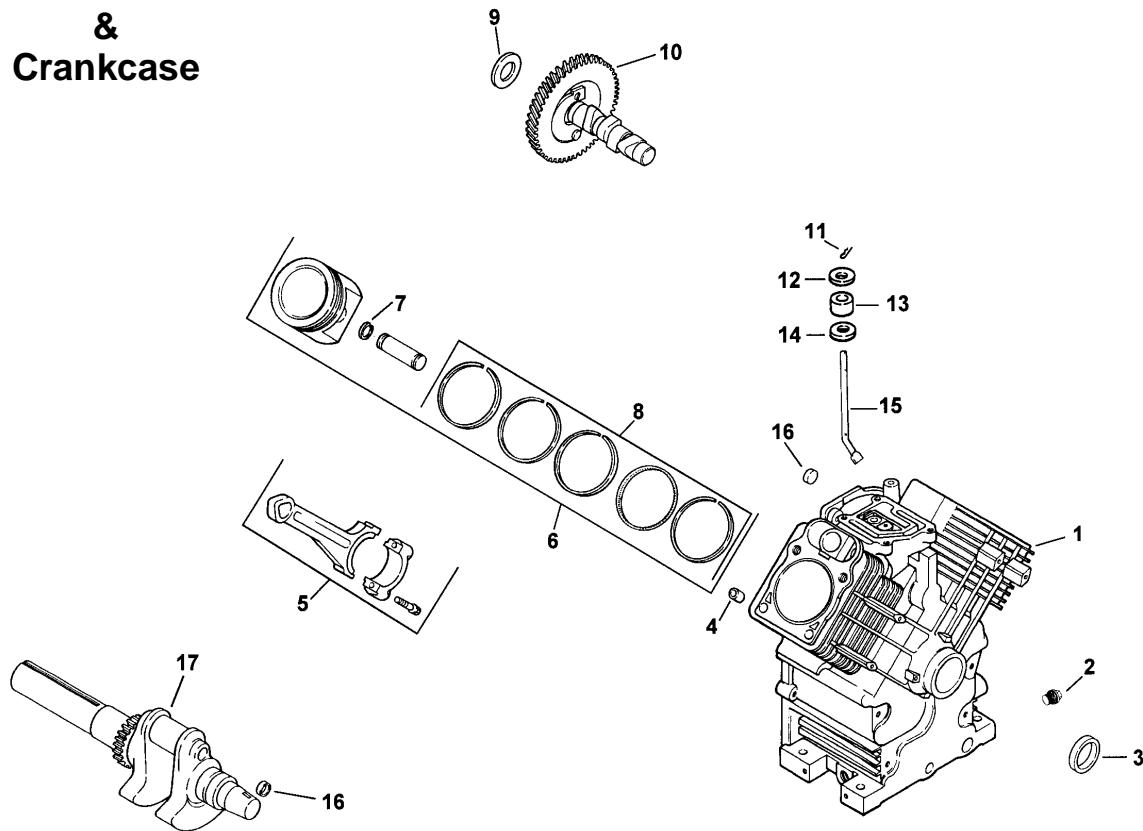
95-0156

HYDRAULIC PUMP ASSEMBLY - NO. 95-0156 (Continued)

Ref. No.	Part No.	Description	No. Used
45	32151-75	Ring - Retaining	1
46	25-2400	Gasket	1
47	25-2430	Pin	1

Ref. No.	Part No.	Description	No. Used
48	28-3570	O-Ring	1
49	83-7260	Cone - Relief, Charge	1
50	67-8050	Bearing - Needle	1

Crankshaft & Crankcase



GRP2.PCX

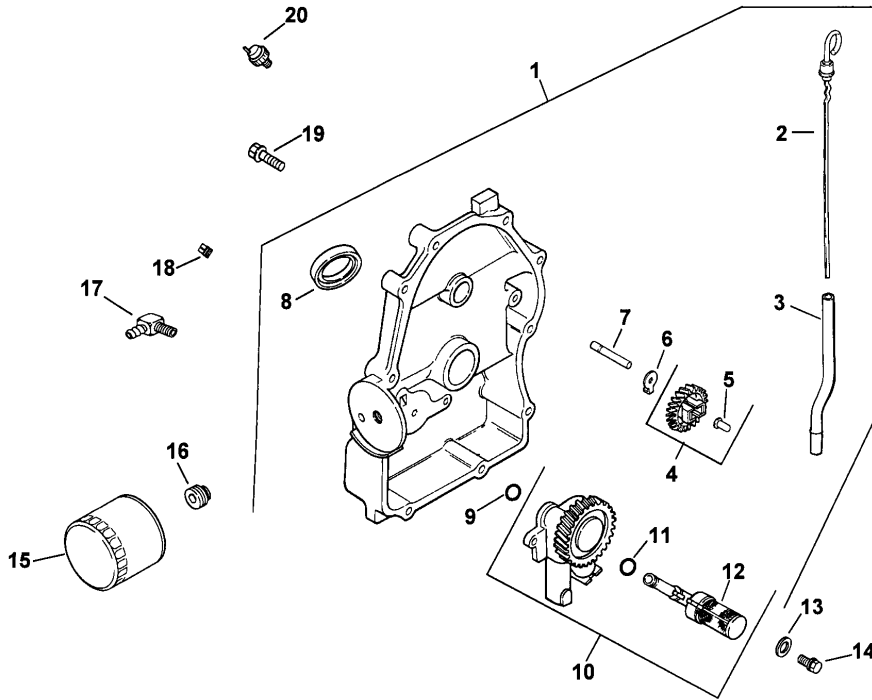
ENGINE KOHLER MODEL CH18S SPEC. NO. 62566

Ref. No.	Part No.	Description	No. Used
1		Block - Cylinder (Use Miniblock)	1
2	52 139 02	Plug - Hex. Head	2
3	24 032 01	Seal - Oil Front	1
4	12 380 17	Pin - Dow el Locating	6
5	24 067 09	Rod - Connecting (Std.)	2
*	24 067 10	Rod - Connecting (.25)	2
6	24 874 01	Piston w/Ring set (Std.)	2
		(Incl. #7,8)	
*	24 874 02	Piston w/Ring set (.25)	2
*	24 874 03	Piston w/Ring set (.50)	2
7	24 018 01	Retainer - Piston Pin	4
8	24 108 01	Ring Set (Std.)	2
*	24 108 02	Ring Set (.25)	2
*	24 108 03	Ring Set (.50)	2
9	12 422 09	Shim - Camshaft	A/R
*	12 422 13	Shim - Camshaft	A/R
*	12 422 07	Shim - Camshaft	A/R

Ref. No.	Part No.	Description	No. Used
*	12 422 08	Shim - Camshaft	A/R
*	12 422 10	Shim - Camshaft	A/R
*	12 422 11	Shim - Camshaft	A/R
*	12 422 12	Shim - Camshaft	A/R
10	24 012 05	Camshaft	1
11	12 380 04	Pin - Hitch	1
12	M-0631005	Washer - Plain	1
13	12 032 01	Seal - Governor Cross Shaft	1
14	X-25-102	Washer - Plain	1
15	24 144 01	Shaft - Governor Cross	1
16	52 139 09	Plug - Cup	2
17	24 014 02	Crankshaft (Incl. #18)	1
*	24 755 03	Gasket Set	1
*	24 522 01	Short Block	1
*	24 782 01	Miniblock	1

* Not Illustrated

Oil Pan/Lubrication



GRP3.PCX

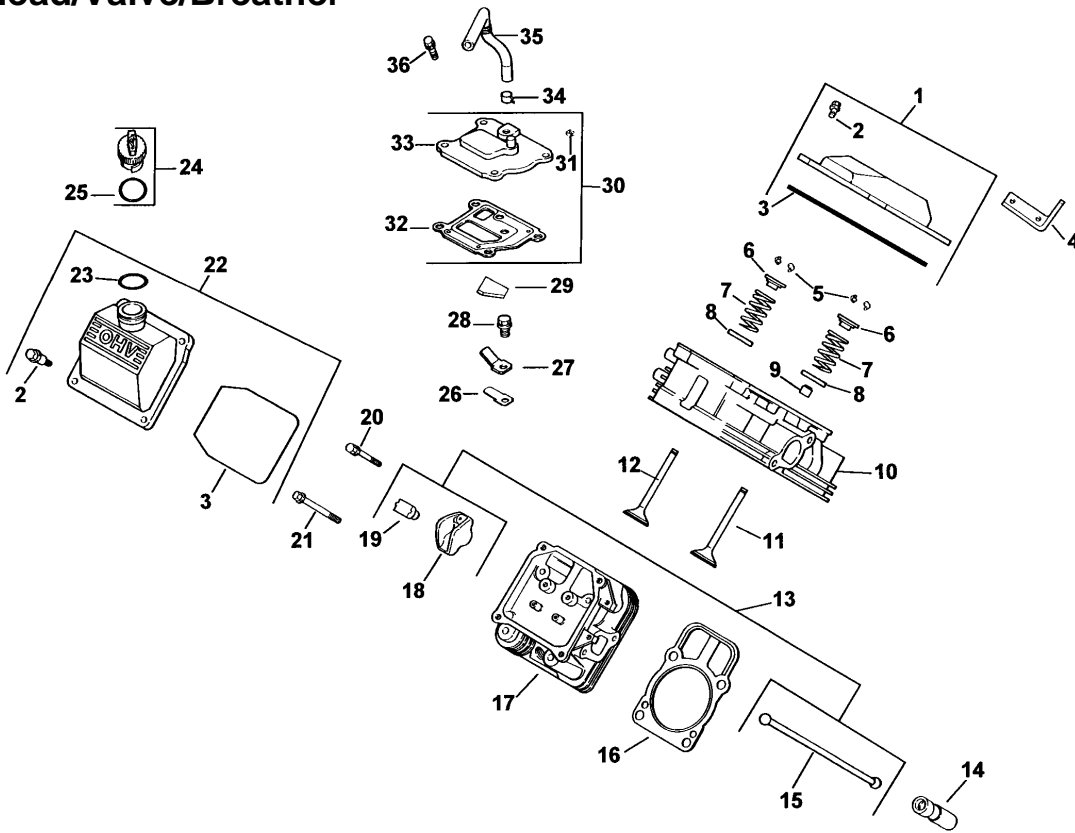
ENGINE KOHLER MODEL CH18S SPEC. NO. 62566 (Cont.)

Ref. No.	Part No.	Description	No. Used
1	24 009 82	Plate Asm - Closure (Incl. #2-12)	1
2	24 038 06	Dipstick	1
3	24 123 08	Tube - Dipstick	1
4	24 043 12	Kit - Governor Gear (Incl. #5)	1
5	12 380 01	Pin - Governor Regulating	1
6	52 448 02	Tab - Locking	1
7	12 144 02	Shaft - Governor Gear	1
8	52 032 08	Seal - Oil	1
9	24 153 08	O-Ring	1
10	24 393 10	Pump Asm - Oil (Incl. #11,12)	1

Ref. No.	Part No.	Description	No. Used
11	24 153 01	O-Ring - Oil Pump	1
12	24 381 04	Pick-Up - Oil	1
13	M-0631005	Washer - Plain	2
14	M-0645025	Screw - Hex. Flange	2
15	12 050 01	Filter - Oil	1
16	24 136 01	Nipple - Oil Filter	1
17	25 155 02	Connector - 90° Hose	1
18	X-75-23	Plug - Allen Head	1
19	24 086 16	Screw - Hex. Flange	10
20	52 099 06	Sw itch - Oil Pressure	1
*	25 113 05	Decal - Oil Sentry	1

* Not Illustrated

Head/Valve/Breather



GRP4.PCX

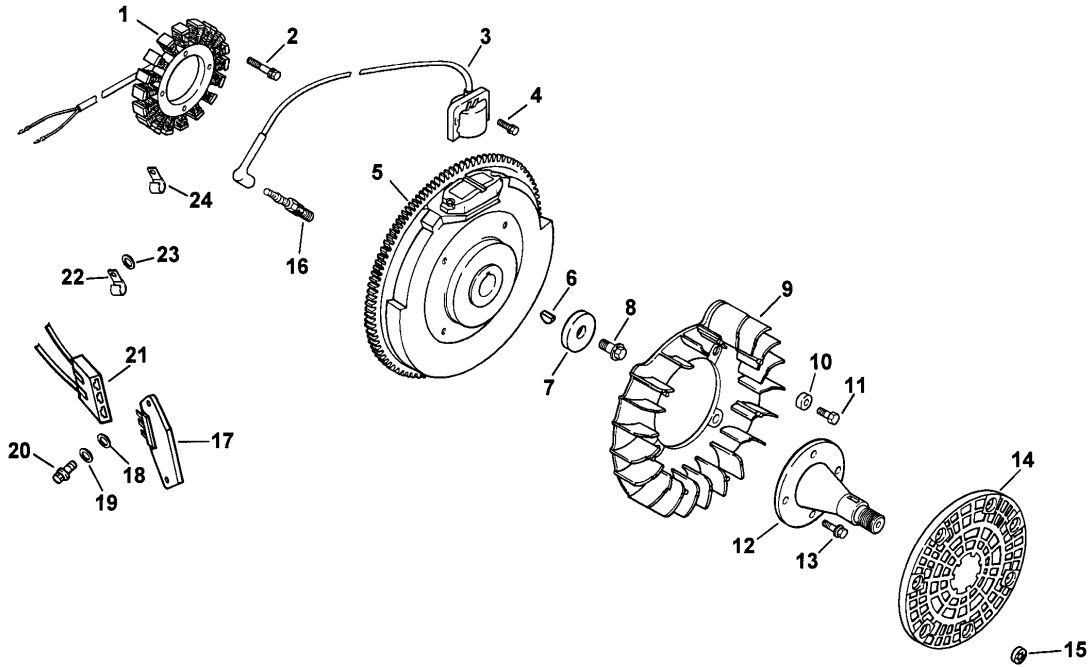
ENGINE KOHLER MODEL CH18S SPEC. NO. 62566 (Cont.)

Ref. No.	Part No.	Description	No. Used
1	24 755 74	Kit - Valve Cover - Plain (Incl. #2-3)	1
2	24 086 32	Screw - Shoulder	4
3	24 153 16	O-Ring	1
4	24 445 01	Strap - Lifting	1
5	12 755 03	Kit - Retainer	4
6	12 173 01	Cap - Valve Spring	4
7	24 089 02	Spring - Valve	4
8	235011	Retainer - Spring	4
9	24 032 05	Seal - Valve Stem	2
10	24 318 09	Head Asm - #1 Cylinder	1
11	24 017 01	Valve - Intake (Std.)	2
*	24 017 02	Valve - Intake (.25)	2
12	24 016 01	Valve - Exhaust (Std.)	2
*	24 016 02	Valve - Exhaust (.25)	2
13	24 755 66	Kit - Valve Train (Incl. #15,18,19)	1
14	12 351 02	Lifter - Valve	4
15	24 411 05	Rod - Push	4
16	24 041 08	Gasket - Cylinder Head	2
17	24 318 10	Head Asm - #2 cylinder	1
18	25 186 01	Arm - Rocker	4

Ref. No.	Part No.	Description	No. Used
19	24 599 01	Pivot - Rocker Arm	4
20	M-0640034	Screw - Hex. Flange	4
21	12 086 16	Screw - Hex. Flange	8
22	24 755 75	Kit - Valve Cover - Oil Fill (Incl. #2,3,23)	1
23	24 153 09	O-Ring	1
24	25 755 13	Kit - Oil Fill Cap (Incl. #25)	1
25	12 153 03	O-Ring - Oil Fill Cap	1
26	24 402 03	Reed - Breather	1
27	12 018 01	Retainer - Reed	1
28	M-0545010	Screw - Hex. Flange	1
29	24 050 01	Filter - Breather	1
30	24 033 01	Kit - Breather Cover w /Gasket (Incl. #31-33)	1
31	X-75-23	Plug - Allen Hd.	1
32	24 041 23	Gasket - Breather	1
33	24 096 02	Cover - Breather	1
34	X-426-9	Clamp - Hose	1
35	24 326 06	Hose - Breather	1
36	M-0645020	Screw - Hex. Flange	4

* Not Illustrated

Ignition/Electrical



GRP5.PCX

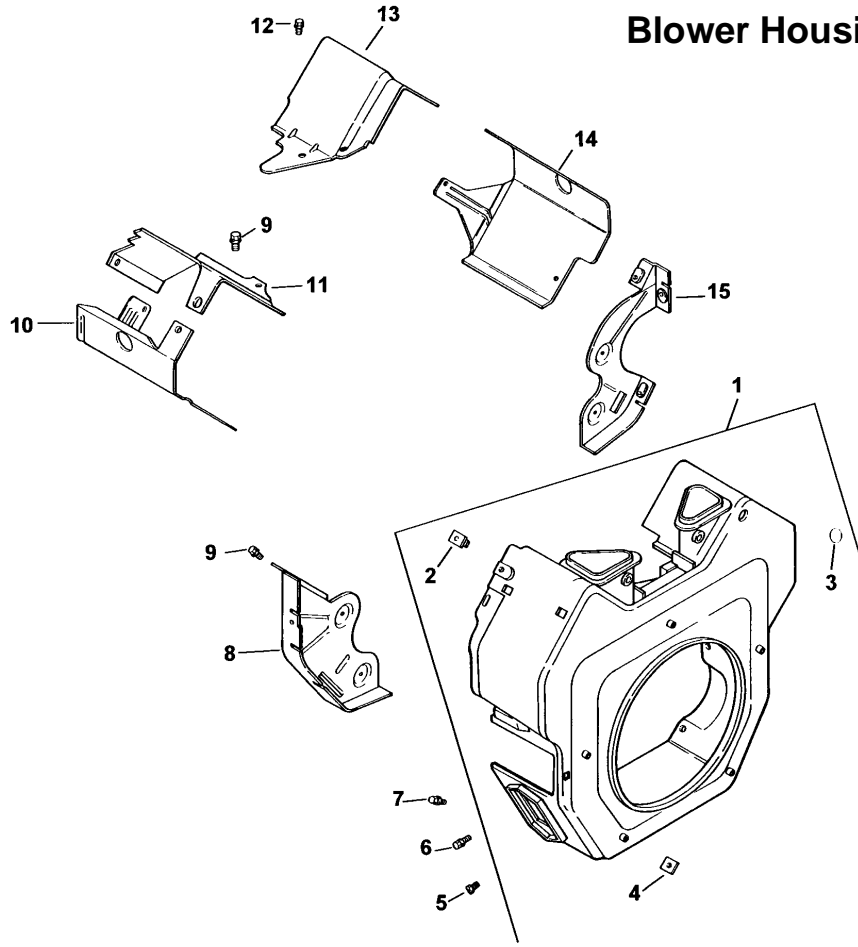
ENGINE KOHLER MODEL CH18S SPEC. NO. 62566 (Cont.)

Ref. No.	Part No.	Description	No. Used
1	54 755 09	Kit - 15 Amp Stator (Incl. 24 176 71 Bracket)	1
2	M-0548025	Screw - Hex. Cap	2
3	24 584 01	Module - Ignition	2
4	M-0545020	Screw - Hex. Flange	4
5	24 025 01	Flywheel	1
6	X-42-15	Key	1
7	12 468 03	Washer - Flywheel Mtg. Screw	1
8	12 086 14	Screw - Hex. Flange	1
9	24 157 01	Fan	1
10	12 112 01	Spacer - Fan	4
11	M-0639016	Screw - Hex. Flange	4
12	24 144 23	Shaft - Front Drive	1
13	M-0839025	Screw - Hex. Flange	4
14	24 162 16	Screen - Grass	1

Ref. No.	Part No.	Description	No. Used
15	24 018 03	Retainer	3
16	12 132 02	Plug - Spark	2
17	25 403 03	Rectifier/Regulator	1
18	X-22-11	Washer - Lock	1
19	X-25-92	Washer - Plain	2
20	24 086 18	Screw - Phillips Head	2
21	236602	Connector	1
22	235173	Clip - Cable	1
23	X-25-63	Washer -Plain	1
24	48 154 02	Clip - Cable	1
*	24 176 51	Harness - Wiring	1
*	25 518 28	Lead - Black (4" - 18 ga.)	1
*	24 176 71	Bracket - Stator Wire	1

* Not Illustrated

Blower Housing & Baffles



GRP6.PCX

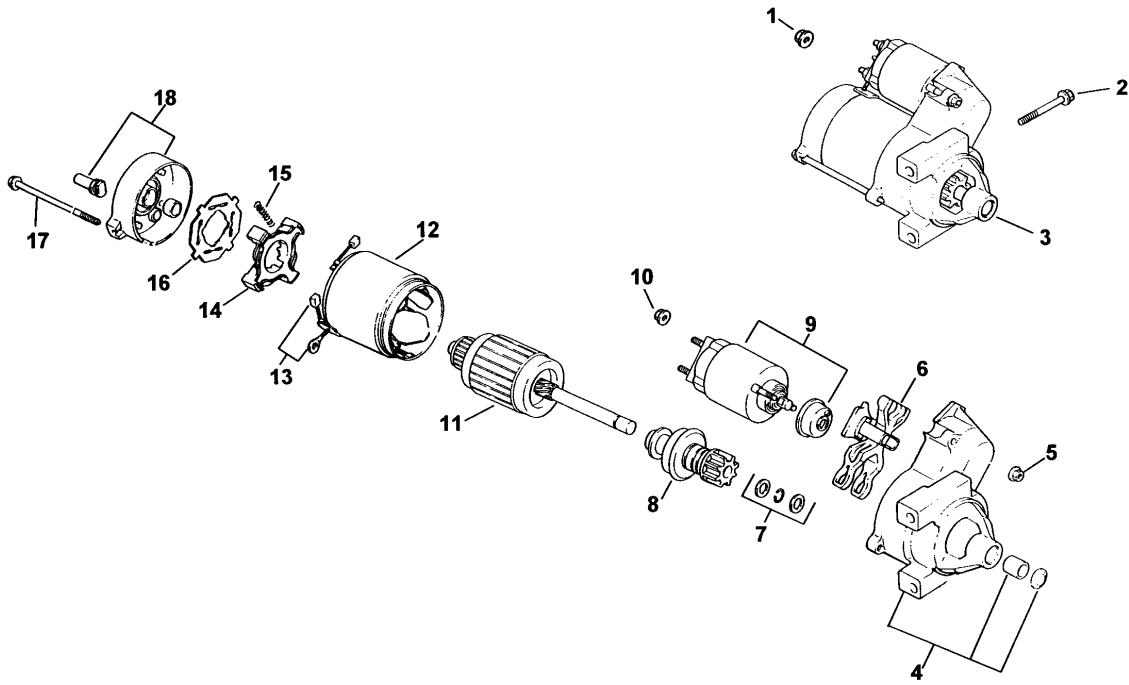
ENGINE KOHLER MODEL CH18S SPEC. NO. 62566 (Cont.)

Ref. No.	Part No.	Description	No. Used
1	24 027 20	Housing - Blower (Incl. #2-4)	1
2	24 100 01	Nut - Plastic	3
3	25 139 16	Plug - Button	1
4	24 100 02	Nut - Plastic	2
5	M-0551016	Screw - Hex. Flange	2
6	M-0545016	Screw - Hex. Flange	5
7	M-0545020	Screw - Hex. Flange	4
8	24 146 02	Plate - Backing (#2 side)	1
9	M-0645016	Screw - Hex. Flange	6

Ref. No.	Part No.	Description	No. Used
10	24 063 20	Baffle - Cylinder Barrel (#2 side)	1
11	24 063 17	Baffle - Valley (#2 side)	1
12	M-0545010	Screw - Hex. Flange	2
13	24 063 24	Baffle - Valley (#1 side)	1
14	24 063 08	Baffle - Cylinder Barrel (#1 side)	1
15	24 146 08	Plate - Backing (#1 side)	1
*	24 113 11	Decal - HP	1

* Not Illustrated

Starting System



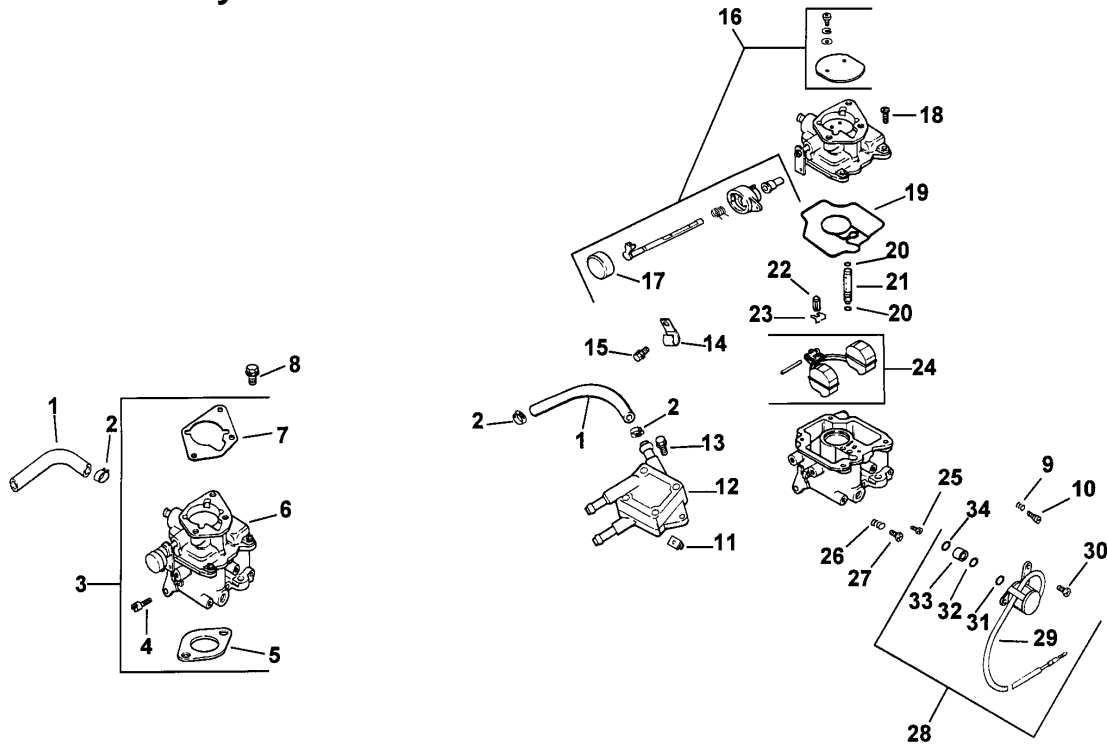
GRP7.PCX

ENGINE KOHLER MODEL CH18S SPEC. NO. 62566 (Cont.)

Ref. No.	Part No.	Description	No. Used
1	M-0839080	Screw - Hex. Flange	2
2	24 098 01	Starter - Solenoid Shift (Incl. #4-18)	1
3	M-0841080	Nut - Hex Flange	1
4	24 081 04	Drive - End Cap	1
5	52 100 10	Nut - Starter	2
6	12 090 10	Lever - Starter Drive	1
7	24 755 84	Kit - Starter Repair	1
8	52 435 02	Solenoid	1
9	52 100 09	Nut - Starter	1

Ref. No.	Part No.	Description	No. Used
10	12 239 01	Drive - Pinion	1
11	12 170 04	Armature - Starter	1
12	12 471 01	Frame	1
13	52 221 01	Kit - Brush & Spring (Incl. #15)	1
14	52 323 03	Holder - Brush	1
15	52 089 09	Spring - Brush	4
16	52 168 01	Insulator	1
17	52 211 05	Bolt - Thru	2
18	24 301 01	Commutator - End Cap	1

Fuel System



GRP8.PCX

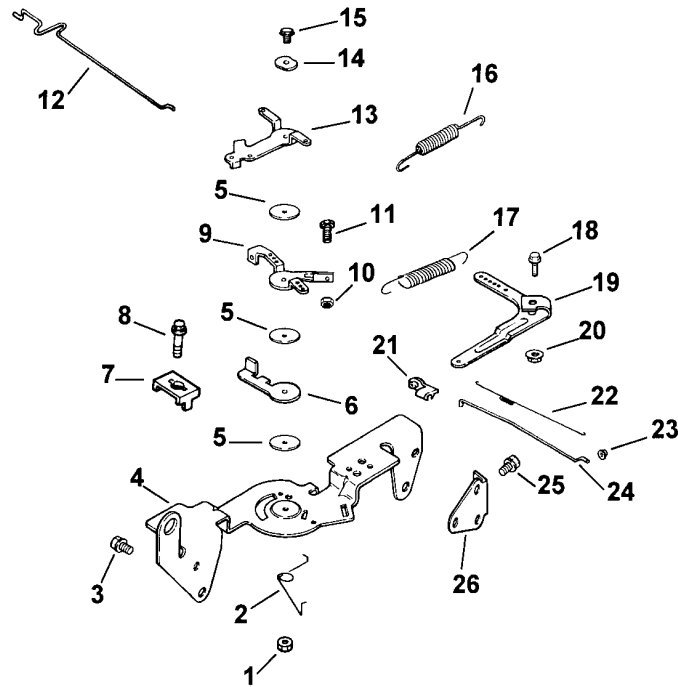
ENGINE KOHLER MODEL CH18S SPEC. NO. 62566 (Cont.)

Ref. No.	Part No.	Description	No. Used
1	25 353 10	Line - Fuel	2
2	X-426-9	Clamp - Hose	6
3	24 853 35	Kit - Carburetor w/Gasket (Incl. #4-7)	1
4	24 086 05	Screw - Throttle Stop	1
5	24 041 17	Gasket - Carburetor	1
6	24 053 32	Carburetor Assembly (Incl. Ref. #9,10,16-34) (For information only, not available separately)	1
7	24 041 06	Gasket - Air Cleaner	1
8	M-0651030	Screw - Hex. Flange	2
9	24 089 11	Spring - Idle Adj.	1
10	24 368 01	Needle - Idle Adj.	1
11	24 100 01	Nut - Plastic	2
12	24 393 04	Pump - Fuel	1
13	24 086 12	Screw - Hex. Cap	2
14	47 154 01	Clip - Cable	1
15	M-0650012	Screw - Hex. Flange	1
16	24 757 07	Kit - Choke Repair (Incl. #17)	1
17	24 173 02	Cap - Choke Lever	1

Ref. No.	Part No.	Description	No. Used
18	24 086 09	Screw - Carburetor Body	2
19	24 041 09	Gasket - Carburetor Body	1
20	24 153 02	O-Ring - Slow Jet	2
21	24 337 01	Jet - Slow	1
22	24 462 01	Valve - Inlet Needle	1
23	24 154 01	Clip - Inlet Needle Valve	1
24	24 757 02	Kit - Float Repair	1
25	24 337 02	Jet - Main	1
26	24 089 10	Spring - Idle Speed Adj.	1
27	24 086 10	Screw - Idle Speed Adj.	1
28	24 757 01	Kit - Solenoid Asm (Incl. #29-34)	1
29	24 435 01	Solenoid	1
30	24 086 07	Screw - Solenoid	1
31	24 153 04	O-Ring - Solenoid	1
32	24 153 05	O-Ring - Solenoid	1
33	24 521 01	Seat - Solenoid	1
34	24 153 06	O-Ring - Solenoid	1
*	24 757 03	Kit - Carburetor Repair	1

* Not Illustrated

Engine Controls

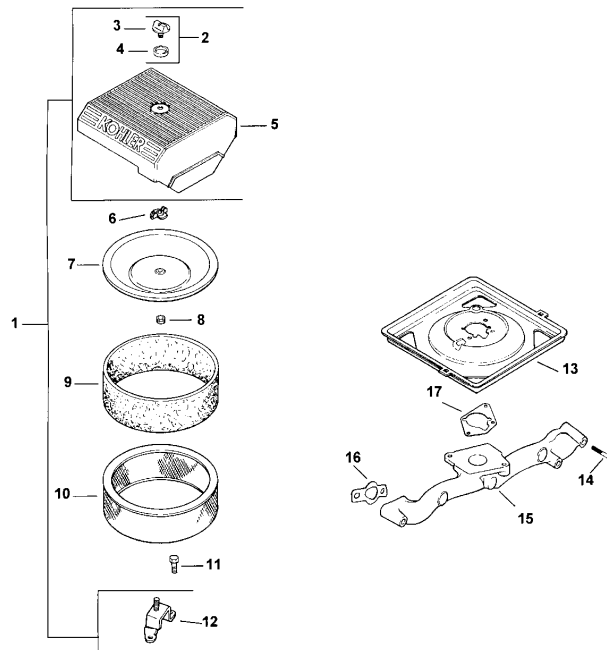


GRP9.PCX

INO.			USEU
1	M-0547050	Nut - Hex. Flange	1
2	24 089 03	Spring - Choke Return	1
3	M-0645016	Screw - Hex. Flange	4
4	24 126 56	Bracket - Control	1
5	24 468 01	Washer - Plain	3
6	24 090 07	Lever, throttle acutator	1
7	12 237 01	Clamp - Cable	2
8	M-0545016	Screw - Hex. Flange	3
9	24 090 03	Lever - Throttle Control	1
10	M-0446030	Nut - Hex. Flange	1
11	M-0401030	Screw - Hex. Cap	1
12	24 079 02	Linkage - Choke	1
13	24 090 05	Lever - Choke	1

INO.			USEU
14	41 468 03	Washer - Wave	1
15	M-0545020	Screw - Hex. Flange	1
16	24 089 38	Spring - Throttle Limiter	1
17	24 089 18	Spring - Governor	1
18	SM-0642025	Screw - Hex. Flange	1
19	24 090 14	Lever - Governor	1
20	M-0641060	Nut - Hex. Flange	1
21	25 158 11	Bushing - Throttle Linkage	1
22	24 089 01	Spring - Linkage	1
23	25 158 08	Bushing - Linkage Retaining	1
24	24 079 01	Linkage - Throttle	1
25	M-0639010	Screw - Hex. Flange	2
26	24 126 04	Bracket - Support	2

Air Intake



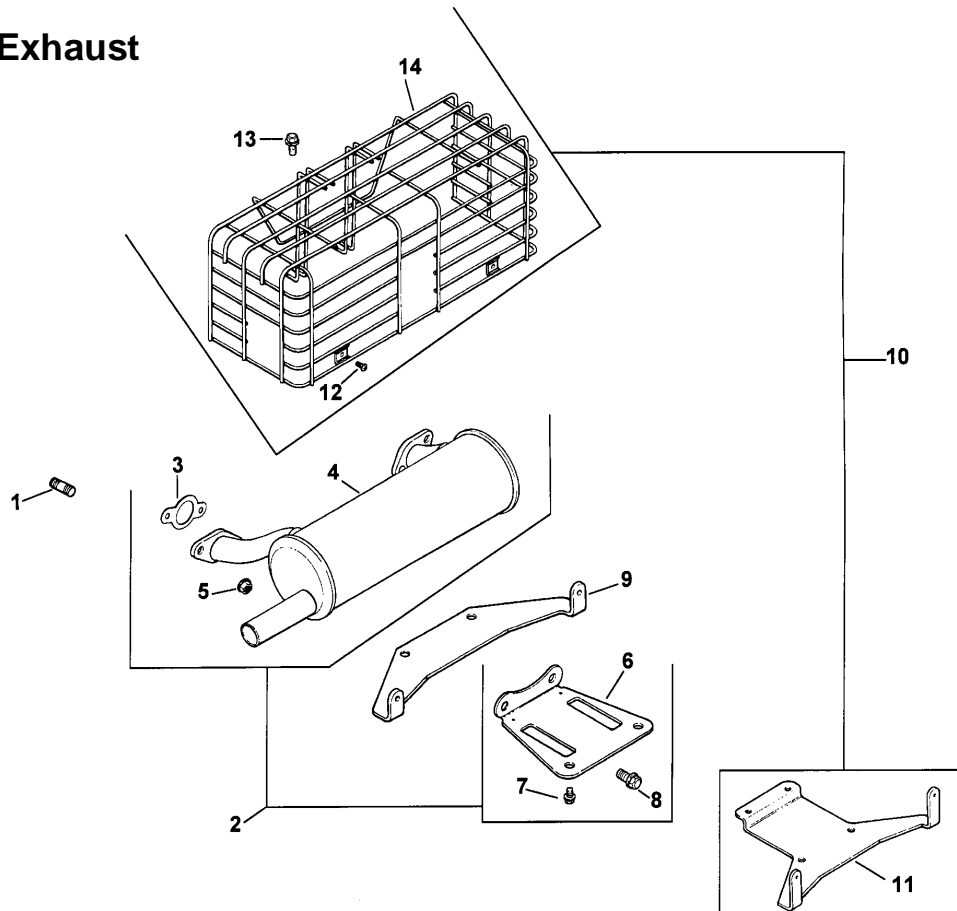
GRP10.PCX

ENGINE KOHLER MODEL CH18S SPEC. NO. 62566 (Cont.)

Ref. No.	Part No.	Description	No. Used
1	24 743 05	Kit - Air Cleaner Cover (Incl. #2-5,12)	1
2	54 755 01	Kit - Knob w/Seal (Incl. #3,4)	1
3	25 341 03	Knob - Cover	1
4	24 153 15	O-Ring	1
5	24 096 24	Cover - Air Cleaner	1
6	12 100 01	Nut - Wing	1
7	24 096 01	Cover - Inner Air Cleaner	1
8	24 032 03	Seal - Air Intake	1

Ref. No.	Part No.	Description	No. Used
9	24 083 02	Element - Precleaner	1
10	47 083 03	Element - Air Cleaner	1
11	M-0639016	Screw - Hex. Flange	3
12	24 126 21	Bracket - Air Cleaner	1
13	24 094 03	Base - Air Cleaner	1
14	M-0651055	Screw - Hex. Flange	4
15	24 164 14	Manifold - Intake	1
16	24 041 01	Gasket - Intake Manifold	2
17	24 041 06	Gasket - Air Cleaner Base	1

Exhaust



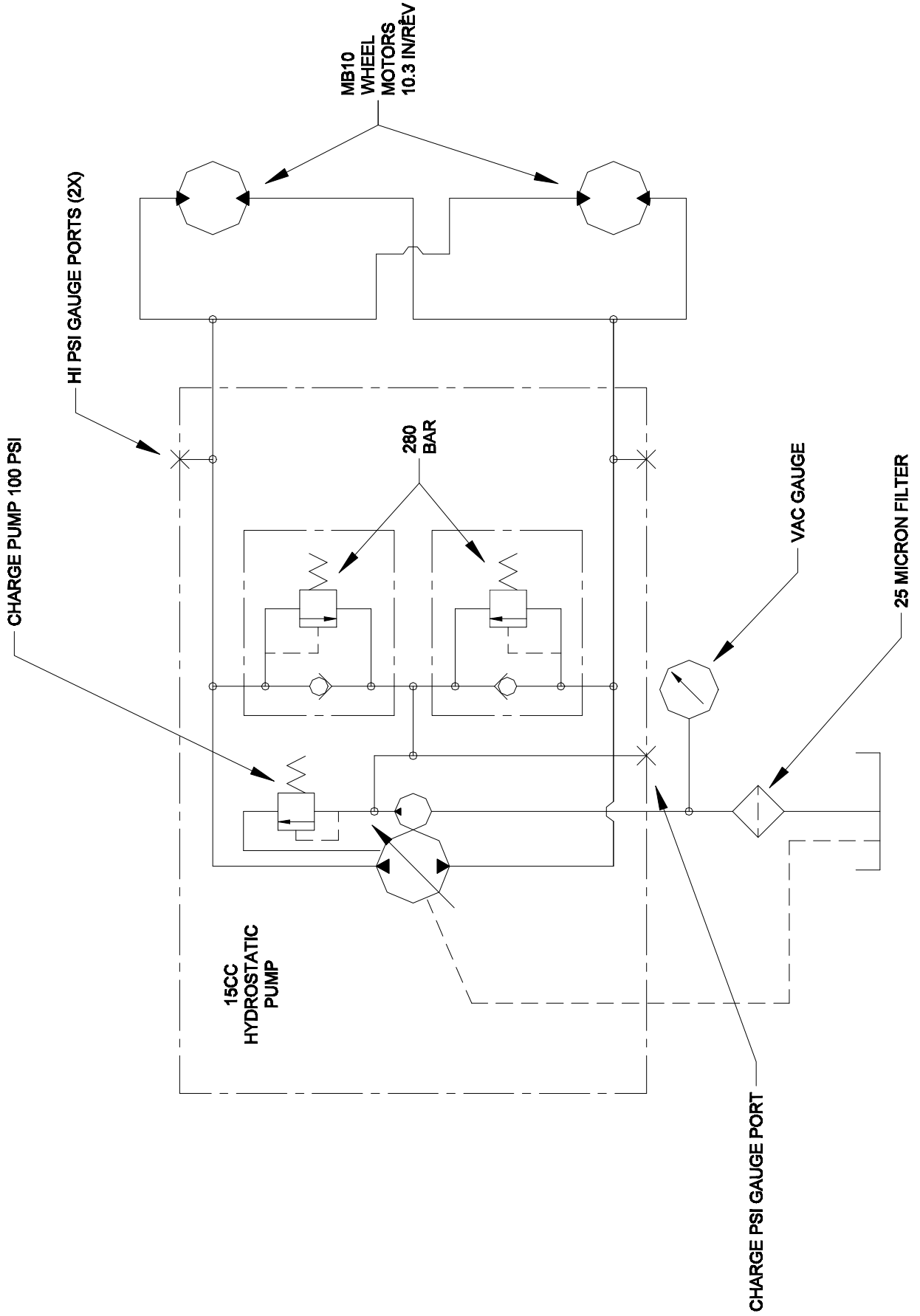
GRP11.PCX

ENGINE KOHLER MODEL CH18S SPEC. NO. 62566 (Cont.)

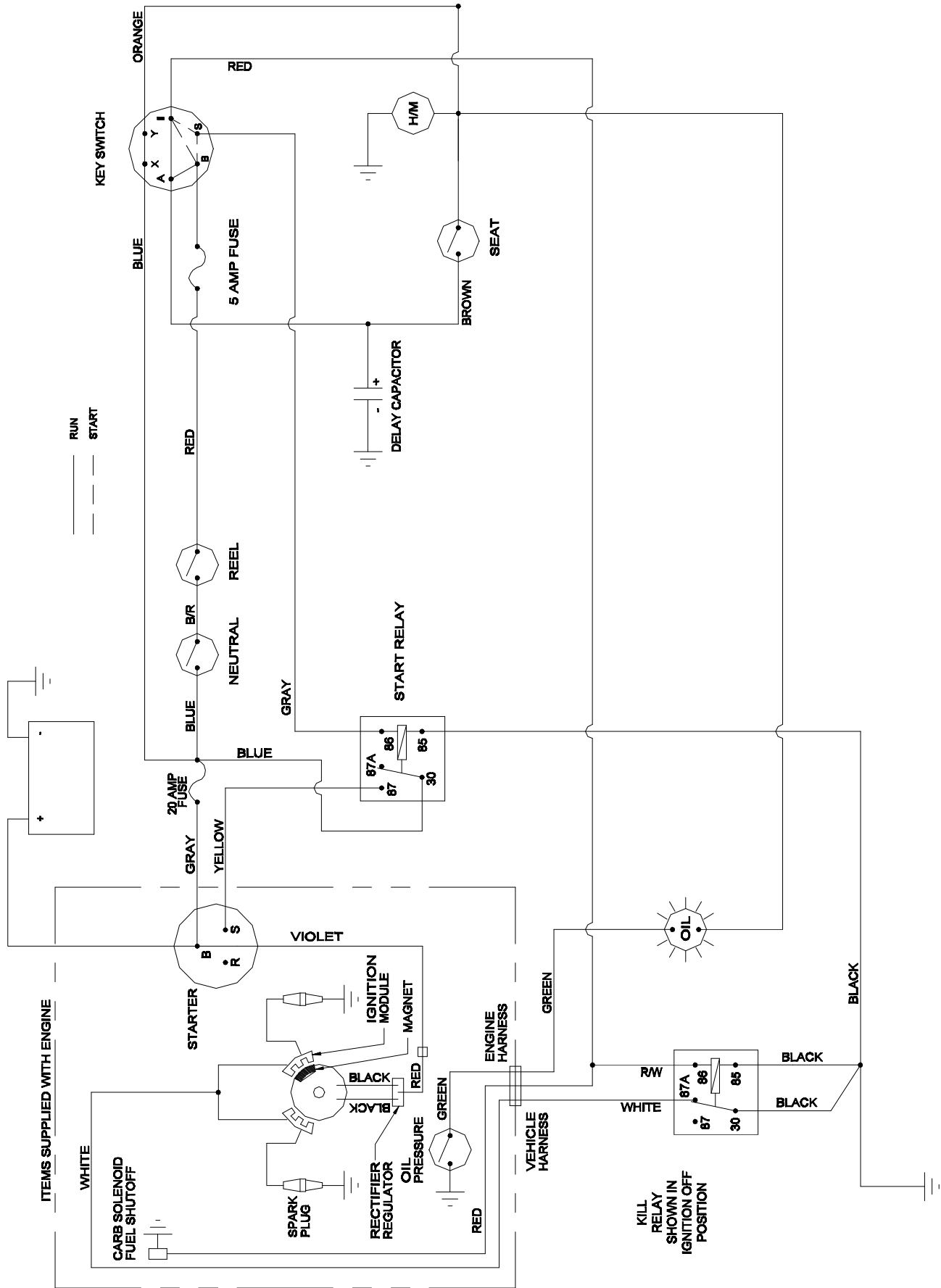
Ref. No.	Part No.	Description	No. Used
1	25 072 04	Stud	4
2	24 786 06	Kit - Low Mount Muffler, #1 Side Outlet (Incl. #3-8)	1
3	24 041 02	Gasket - Exhaust	2
4	24 068 06	Muffler - Low Mount	1
5	M-0841080	Nut - Hex. Flange	4
6	24 126 12	Bracket - Muffler	1
7	M-0650012	Screw - Hex. Flange	2

Ref. No.	Part No.	Description	No. Used
8	M-0839020	Screw - Hex. Flange	2
9	24 126 10	Bracket - Muffler Guard	1
10	24 755 80	Kit - Muffler Guard (Incl. #11-14)	1
11	24 126 48	Bracket - Muffler Guard	1
12	M-0550010	Screw - Hex. Flange	2
13	M-0545016	Screw - Hex. Flange	2
14	24 314 02	Guard - Muffler	1

HYDRAULIC SCHEMATIC



ELECTRICAL SCHEMATIC



TORO PART NUMBER INDEX

Part No.	Description	Pg. No.	Ref. No.	Qty.	Part No.	Description	Pg. No.	Ref. No.	Qty.
-----	Fuse, 20A	16	*	1	2412-129	Clamp - Hose	5	20	2
01-100-0160	Bearing - Flange Block	8	22	2	2412-133	R-Clamp	1	27	2
01-100-0170	Bearing - Flange Block	8	5	2	2412-134	R-Clamp	16	36	1
01-102-0050	Bearing	12	22	1	2412-34	Clamp - Hose	3	9	1
01-102-0070	Bearing	12	21	1	2412-34	Clamp - Hose	5	6	3
01-126-0110	Bushing	21	18	2	2412-73	R-Clamp	2	22	1
01-161-0090	Rivet - Pop	19	6	7	2412-73	R-Clamp	16	21	1
01-163-0030	Screw - Set	10	44	6	2412-74	R-Clamp	16	18	1
01-168-1014	Bushing - Machinery	10	46	2	2412-89	R-Clamp	2	25	2
01-168-1210	Bushing - Machinery	12	14	2	242-50	Nut - Lug	12	24	5
01-172-0030	Collar - Lock	10	45	1	242-50	Nut - Lug	14	2	8
01-190-1210	Nut - Castle	12	12	2	25-2380	Plate - Thrust	27	7	1
01-190-1216	Nut - Castle	12	3	1	25-2400	Gasket	28	46	1
01-201-1080	Fitting - Hydraulic, Barb	5	8	1	25-2430	Pin	28	47	1
01-201-3380	Fitting - Flat Face O-ring	3	5	2	25-2450	Sw ashplate	27	6	1
01-201-4680	Fitting - Hydraulic	3	6	1	25-2460	Plug	27	19	2
01-250-0040	Rod End	9	19	2	25-2470	Kit - Shim	27	23	1
01-259-0010	Handle Grip	21	16	1	25-2480	Spring	27	2	1
01-261-0330	Spring Danly Steel	9	22	1	25-2500	Shaft - Trunnion	27	30	1
01-262-0290	Sprocket - Idler	12	17	1	25-2510	Washer	27	26	2
01-269-0060	Axle Spacer	12	15	2	25-2630	Ring - Backup	27	34	1
01-269-0140	Front Hub	12	6	1	25-2690	Housing - Pump, Charge	27	9	1
01-269-0320	Tire	12	1	1	25-3210	Seal - Lip	27	39	2
01-269-1810	Wheel	12	25	1	251-259	Bearing	7	7	2
01-269-1820	Tire & Wheel Ass'y	12	*	1	254-78	Bearing	12	28	2
01-279-0010	Rubber Fingers	8	3	88	256-10	Bushing - Flange	9	14	2
01-286-0040	Cap - Grease	12	4	1	256-113	Bushing - Flange	7	22	2
01-405-0370	Seal	12	23	1	256-132	Bearing - Flange	8	7	4
01-405-0460	Seal	12	27	2	256-155	Bushing	15	7	2
01-456-0050	Stub	2	14	1	256-156	Bushing - Flange	6	4	2
01-506-0080	Decal - Hands & Feet Clear	25	2	2	256-167	Bushing	13	15	1
01-506-0090	Decal - Slopes	23	1	1	256-185	Bushing	13	26	1
01-506-0650	Decal - Turf Sw eeper 4800	23	9	2	256-247	Bushing	10	28	2
01-650-1100	All Thread - Fine	9	23	1	26-3790	Nut - Spindle	14	5	2
10-6821	Brake Drum Ass'y	14	*	2	27-1960	Hub - Engine	4	2	1
10-6850	Drum - Brake	14	7	2	27-2360	Sw itch - Key	16	22	1
10-6870	Hub - Wheel	14	6	2	27-7310	Decal - Refueling	24	6	1
17-1620	Bushing - Straight	21	14	4	2710-11	Master Link #40	12	*	1
18-204-1781	Isolator - Rubber	5	18	3	28-3310	Bearing - Needle	27	40	2
18-6380	Pin - Adjusting	7	3	1	28-3550	O-Ring	27	22	2
21-1820	Pin - Stop, Belt	10	36	1	28-3570	O-Ring	28	48	1
2112-11	Clamp - Muffler	2	*	1	283-14	Pin - Clevis	17	11	1
217-60	Rim	14	4	2	283-62	Pin - Clevis	14	21	2
218-461	Nut - Hex	15	27	2	288-10	Pipe Cap	2	11	1
218-489	Holder - Fuse	16	26	1	288-10	Pipe Cap	5	17	1
23-9740	Cartridge - Oil Filter	5	30	1	289-48	Pipe	2	12	1
232-24	Stem - Valve	12	26	1	289-51	Nipple - Pipe	5	16	1
232-24	Stem - Valve	14	3	2	29-6163	Sw itch - Neutral	7	19	1
233-42	Knob	13	18	1	3-6498	Washer - Thrust	7	11	1
233-48	Knob	9	2	1	3-6685	Spring - Compression	15	23	1
237-30	Seal - O - Ring	15	33	1	302-60	Fitting - Grease	7	23	1
237-7	Seal - O - Ring	15	28	1	302-60	Fitting - Grease	10	*	1
24-6390	Battery Hold Dow n Stud	1	22	2	321-2	Capscrew - Hex Hd.	15	18	2
24-6420	Battery Hold Dow n	1	14	1	321-4	Capscrew - Hex Hd.	1	24	7
240-5	Grommet	16	34	1	321-4	Capscrew - Hex Hd.	2	21	2
240-7	Grommet	16	35	2	321-4	Capscrew - Hex Hd.	6	6	1
2412-105	Clamp - Double Tube	2	10	1	321-4	Capscrew - Hex Hd.	10	9	10
2412-108	Clamp - Hose	5	25	3	321-4	Capscrew - Hex Hd.	10	.	2

* Not Illustrated

TORO PART NUMBER INDEX (Continued)

Part No.	Description	Pg. No.	Ref. No.	Qty.	Part No.	Description	Pg. No.	Ref. No.	Qty.
321-4	Capscrew - Hex Hd.	16	1	15	3229-22	Bolt - Carriage	18	4	22
321-5	Capscrew - Hex Hd.	14	13	8	323-10	Capscrew - Hex Hd.	7	13	1
321-9	Capscrew - Hex Hd.	5	1	2	323-11	Capscrew - Hex Hd.	12	7	4
321-9	Capscrew - Hex Hd.	17	10	1	323-12	Capscrew - Hex Hd.	27	18	4
32105-21	Screw - Machine	7	15	2	323-4	Capscrew - Hex Hd.	1	7	2
32105-8	Machine Screw - Hex Hd.	1	13	6	323-4	Capscrew - Hex Hd.	15	12	2
32120-47	Ring - Retaining	14	23	2	323-4	Capscrew - Hex Hd.	16	11	3
32120-47	Ring - Retaining	17	14	2	323-6	Capscrew - Hex Hd.	2	1	2
32121-111	Pin - Roll	13	30	1	323-6	Capscrew - Hex Hd.	5	12	2
32121-112	Pin - Roll	13	8	1	323-6	Capscrew - Hex Hd.	10	33	2
32121-15	Pin - Roll	13	12	2	323-6	Capscrew - Hex Hd.	15	8	2
32121-6	Pin - Roll	4	13	1	323-6	Capscrew - Hex Hd.	16	9	4
32128-20	Nut - Flange Lock	1	5	17	323-7	Capscrew - Hex Hd.	1	30	2
32128-20	Nut - Flange Lock	2	6	2	323-8	Capscrew - Hex Hd.	9	10	4
32128-20	Nut - Flange Lock	9	27	3	323-9	Capscrew - Hex Hd.	2	9	4
32128-20	Nut - Flange Lock	13	6	4	323-9	Capscrew - Hex Hd.	15	37	1
32128-20	Nut - Flange Lock	15	6	4	3230-1	Bolt - Carriage	22	17	1
32128-20	Nut - Flange Lock	19	4	4	3230-2	Bolt - Carriage	1	17	10
32128-20	Nut - Flange Lock	21	9	2	3230-2	Bolt - Carriage	19	1	4
32128-33	Nut - Flange Lock	1	15	6	3230-32	Bolt - Carriage	22	9	4
32128-33	Nut - Flange Lock	2	23	3	3231-2	Bolt - Carriage	8	13	4
32128-33	Nut - Flange Lock	6	9	2	3231-2	Bolt - Carriage	14	22	4
32128-33	Nut - Flange Lock	9	4	4	3231-2	Bolt - Carriage	20	2	8
32128-33	Nut - Flange Lock	15	19	2	3231-28	Bolt - Carriage	10	22	2
32128-33	Nut - Flange Lock	17	5	3	3231-28	Bolt - Carriage	21	15	6
32128-33	Nut - Flange Lock	18	7	22	3231-8	Bolt - Carriage	10	16	1
32128-33	Nut - Flange Lock	19	3	8	3233-1	Bolt - Carriage	21	23	1
32128-33	Nut - Flange Lock	20	10	26	3233-32	Bolt - Carriage	21	20	4
32128-43	Nut - Flange Lock	1	11	2	3233-33	Bolt - Carriage	8	21	2
32128-43	Nut - Flange Lock	2	7	6	324-5	Capscrew - Hex Hd.	8	12	4
32128-43	Nut - Flange Lock	15	35	4	3241-5	Setscrew	4	11	4
32128-43	Nut - Flange Lock	16	14	4	325-13	Capscrew - Hex Hd.	14	16	8
32151-75	Ring - Retaining	28	45	1	325-5	Capscrew - Hex Hd.	9	16	1
32151-79	Ring - Retaining	27	27	2	325-6	Capscrew - Hex Hd.	8	11	4
3217-7	Nut - Hex	10	40	3	3253-3	Washer - Lock	5	2	2
3217-8	Nut - Hex	10	41	2	3253-5	Washer - Lock	9	21	2
3218-3	Nut - Jam	11	52	1	3253-5	Washer - Lock	10	34	2
3219-5	Nut - Hex	9	20	4	3256-2	Washer - Flat	5	3	2
322-10	Capscrew - Hex Hd.	4	1	4	3256-21	Washer - SAE	16	29	2
322-3	Capscrew - Hex Hd.	1	21	2	3256-22	Washer - SAE	1	8	3
322-3	Capscrew - Hex Hd.	2	5	2	3256-22	Washer - SAE	8	16	4
322-3	Capscrew - Hex Hd.	10	6	1	3256-22	Washer - SAE	11	50	10
322-4	Capscrew - Hex Hd.	27	20	4	3256-22	Washer - SAE	16	2	10
322-5	Capscrew - Hex Hd.	1	3	7	3256-23	Washer - SAE	1	4	5
322-5	Capscrew - Hex Hd.	9	26	3	3256-23	Washer - SAE	2	4	3
322-5	Capscrew - Hex Hd.	13	3	6	3256-23	Washer - SAE	4	4	4
322-5	Capscrew - Hex Hd.	15	14	2	3256-23	Washer - SAE	10	2	3
322-6	Capscrew - Hex Hd.	13	11	1	3256-23	Washer - SAE	13	5	5
322-7	Capscrew - Hex Hd.	4	8	4	3256-23	Washer - SAE	14	27	2
322-8	Capscrew - Hex Hd.	7	9	1	3256-23	Washer - SAE	15	15	2
3220-3	Nut - Jam	9	24	2	3256-23	Washer - SAE	17	12	1
3229-1	Bolt - Carriage	2	24	2	3256-24	Washer - SAE	2	2	2
3229-1	Bolt - Carriage	8	14	4	3256-24	Washer - SAE	5	13	2
3229-1	Bolt - Carriage	9	3	4	3256-24	Washer - SAE	9	11	4
3229-1	Bolt - Carriage	17	3	3	3256-24	Washer - SAE	10	14	4
3229-1	Bolt - Carriage	19	2	8	3256-24	Washer - SAE	13	23	2
3229-1	Bolt - Carriage	20	8	26	3256-24	Washer - SAE	16	10	7
3229-2	Bolt - Carriage	6	7	2	3256-24	Washer - SAE	20	4	8

* Not Illustrated

TORO PART NUMBER INDEX (Continued)

Part No.	Description	Pg. No.	Ref. No.	Qty.	Part No.	Description	Pg. No.	Ref. No.	Qty.
3256-24	Washer - SAE	21	21	6	3296-39	Nut - Lock	15	41	1
3256-26	Washer - SAE	10	20	2	3296-4	Nut - Lock	7	14	1
3256-26	Washer - SAE	21	4	8	3296-42	Nut - Lock	6	15	1
3256-27	Washer - SAE	12	19	1	3296-42	Nut - Lock	8	17	4
3256-27	Washer - SAE	21	19	4	3296-42	Nut - Lock	14	18	8
3256-28	Washer - SAE	12	5	1	3296-42	Nut - Lock	16	19	5
3256-29	Washer - SAE	11	48	3	3296-42	Nut - Lock	17	4	1
3256-3	Washer - Flat	1	18	12	3296-45	Nut - Lock	9	17	1
3256-4	Washer - Flat	1	31	4	3296-48	Nut - Lock	8	23	4
3256-4	Washer - Flat	9	7	2	3296-48	Nut - Lock	10	4	2
3256-4	Washer - Flat	10	39	2	3296-53	Nut - Lock	10	26	2
3256-4	Washer - Flat	15	38	2	3296-53	Nut - Lock	12	20	1
3256-5	Washer - SAE	10	3	4	3296-53	Nut - Lock	21	3	4
3256-7	Washer - Flat	8	9	2	3296-77	Nut - Lock	8	10	2
3257-32	Key - Woodruff	4	14	1	3296-9	Nut - Lock	7	20	2
3257-32	Key - Woodruff	27	42	1	33-4380	Hub - Pump	4	9	1
3257-42	Key - Woodruff	26	17	1	33103-012	Screw - Flange, Hex Hd.	2	15	2
3269-22	Rivet - Pop	18	2	14	33104-020	Screw - Flange, Hex Hd.	2	20	1
3269-32	Rivet - Pop	2	17	2	340-17	Fitting - Hydraulic	22	11	4
3269-4	Rivet - Pop	16	5	4	340-19	Tee - Hydraulic	22	14	2
327-6	Capscrew - Hex Hd.	12	18	1	351-78	Edging - Seat	15	43	1
327-7	Capscrew - Hex Hd.	10	31	1	351-80	Clip - Edging	15	45	1
327-8	Capscrew - Hex Hd.	10	23	1	354-73	Fitting - Hydraulic, Barb	5	7	2
3272-10	Pin - Cotter	10	29	1	37-2690	Capacitor	16	17	1
3272-10	Pin - Cotter	13	25	1	43-8600	Spring - Compression	15	31	1
3272-10	Pin - Cotter	14	24	2	43-8610	Seat - Ball	15	32	1
3272-15	Pin - Cotter	12	2	1	43-8620	Guide - Sw itch	15	29	1
3272-23	Pin - Cotter	12	13	2	43-8860	Plunger - Sw itch	15	30	1
3272-6	Pin - Cotter	17	13	1	43-8870	Boot - Sw itch	15	26	1
3274-12	Screw - Socket	15	36	4	43-9071	Sw itch - Limit	15	25	1
3274-5	Screw - Hex Socket Hd.	3	1	2	44-2230	Coupling - Rubber	4	7	4
3284-3	Pin - Groove	15	24	1	47-2890	Bushing	21	5	8
3290-134	Machine Screw - Hex Hd.	16	4	7	48-1800	Kit - Cylinder Block	27	4	1
3290-410	Tie - Push Mount	16	41	2	49-2040	Screw - Flange Hex Hd.	7	2	3
3290-467	Pin - Hair	15	11	1	49-5880	Shaft - Seat Support	15	10	1
3290-477	Washer - Curved	17	8	1	49-8510	Kit - Charge Relief	27	3	1
3296-2	Nut - Lock	16	8	9	5-4916	Key	4	12	1
3296-22	Nut - Lock	5	15	2	5-4916	Key	8	28	2
3296-22	Nut - Lock	10	13	3	5-4916	Key	11	47	1
3296-22	Nut - Lock	14	26	4	51-0350	Pin - Seat Spring	15	22	1
3296-22	Nut - Lock	15	13	2	53-4420	Decal - Gas	24	5	1
3296-22	Nut - Lock	20	5	8	55-7290	Battery - Dry	1	23	1
3296-22	Nut - Lock	21	1	14	58-6520	Decal - Grease	25	1	5
3296-23	Nut - Lock	3	8	2	62-4040	Fuel Tank	5	10	1
3296-23	Nut - Lock	8	4	4	63-8360	Key - Ignition, w /Shield	16	30	1
3296-23	Nut - Lock	14	20	8	66-2630	Latch Seat	15	17	1
3296-28	Nut - Lock	8	18	2	66-2950	Hour Meter	16	27	1
3296-29	Nut - Lock	1	26	4	66-6140	Decal - Toro	23	7	2
3296-29	Nut - Lock	4	5	8	66-9290	Suspension Spacer	15	4	4
3296-29	Nut - Lock	7	4	2	67-5360	Decal - Danger	24	11	1
3296-29	Nut - Lock	10	1	2	67-5360	Decal - Danger	25	4	2
3296-29	Nut - Lock	13	21	3	67-7320	Decal - Logo	24	10	1
3296-29	Nut - Lock	15	21	2	67-7920	Decal - Logo (Lg)	23	8	1
3296-29	Nut - Lock	22	4	4	67-8050	Bearing - Needle	28	50	1
3296-39	Nut - Lock	1	32	2	67-8080	Bearing - Roller	27	15	1
3296-39	Nut - Lock	7	16	1	69-3840	O-Ring	27	33	1
3296-39	Nut - Lock	8	25	4	70-1480	Relay - Sealed, w /Brkt.	16	20	2
3296-39	Nut - Lock	9	13	6	70-9840	Shoe - Brake	14	9	4

* Not Illustrated

TORO PART NUMBER INDEX (Continued)

Part No.	Description	Pg. No.	Ref. No.	Qty.	Part No.	Description	Pg. No.	Ref. No.	Qty.
70-9850	Clip - Retaining	14	15	2	92-2344	Trunion	9	6	2
70-9860	Cam - Brake	14	11	2	92-4372	R-Clamp	22	18	1
70-9870	Plate - Backing	14	12	2	92-4676	Mount - Cable	6	10	1
70-9880	Spring - Return	14	10	4	92-4679	Plate - Hydrostat, Reinf.	3	7	1
71-1500	Brake Ass'y	14	*	2	92-4694	Panel - Control	16	7	1
71-4400	Driveshaft WA	4	6	1	92-4698	Mount - Cable, Brake	14	25	2
71-4410	Spacer, thick	4	3	4	92-4699	Cable - Traction	6	8	1
71-4411	Spacer, thin	4	10	4	92-6533	Seat Cushion Assembly	15	42	1
72-4320	Switch - Ball	15	34	1	92-6534	Shell - Seat	15	44	1
74-0720	Manual Tube	1	28	1	92-7905	Switch & Bracket Assembly	16	31	1
74-9100	Pad - Forward	6	1	1	92-8777	O-Ring	27	13	2
74-9110	Pad - Reverse	6	2	1	92-9199	Motor - Hydraulic	14	19	2
75-0140	Spring	27	29	2	92-9761	Link - Drive	26	13	7
75-0160	Plug - Pipe	27	35	2	92-9762	Screw - Cap Hex Hd.	26	14	1
75-0170	Plug	27	5	2	92-9763	Rotor Set	26	*	1
75-0240	O-Ring	27	25	2	93-0312	Washer	27	16	1
75-5470	Spacer	7	6	1	93-4133	Seal - Lip	27	11	1
76-0810	Housing Assembly	26	*	1	94-3996	Ring - Retaining	27	41	1
76-0840	Manifold	26	22	1	94-8178	Seal Kit	26	*	1
76-0850	Bearing - Thrust	26	12	1	95-0004	Shaft - Steering, Lower	13	9	1
76-0860	Shaft - Coupling	26	11	1	95-0008	Wheel - Yoke WA	12	10	1
76-0870	Plate - Wear	26	18	1	95-0009	Mount - Brake LH	17	2	1
76-0880	Commutator Assembly	26	*	1	95-0010	Mount - Brake RH	17	1	1
76-0940	End Cover Assembly	26	24	1	95-0013	Tank - Hydraulic	5	14	1
76-8640	Stud - Traction	7	10	1	95-0025	Cable - Brake, RH	14	28	1
80-7400	Lever	14	14	2	95-0156	Pump - Variable, Sundstrand	3	2	1
80-9350	Plate - Hot Surface	2	18	1	95-0165	Plate-Seat Front	1	6	1
82-4600	Decal - Hydro Drive	23	2	2	95-0170	Main Frame WA	1	1	1
83-3880	Pin - Coiled, Spring	27	28	4	95-0172	Mount - Battery	1	25	1
83-7260	Cone - Relief, Charge	28	49	1	95-0175	Engine Assy - Kohler	2	8	1
84-2000	Bracket - Brake	14	17	2	95-0176	Slide	8	15	1
85-6540	Stud - Drive	14	8	8	95-0177	Tire - Tubeless	14	1	2
85-7490	Decal - Warning	25	6	2	95-0179	Reel Lift Rod WA	9	12	1
85-8300	Lever - Pump	7	17	1	95-0186	Cap - End, Panel	16	6	2
85-8460	Switch Arm Assembly	7	5	1	95-0191	Bracket - Seat Spring	15	20	1
85-8461	Switch Arm WA	7	*	1	95-0209	Spacer	10	25	1
85-8860	Decal - Eccentric Bolt	7	21	1	95-0210	Pulley	10	32	1
85-8930	Retainer - Boot	13	27	1	95-0212	Pulley	10	11	1
85-9030	Spring - Extension	7	12	1	95-0215	Front Reel WA	8	2	1
85-9120	Spacer	7	8	1	95-0217	Rear Reel WA	8	1	1
85-9120	Spacer - Tilt Pivot	13	17	2	95-0225	Axle-Front	12	11	1
85-9150	Plate - Switch	7	18	1	95-0231	Hood - Screen	20	6	1
85-9200	Steering Knuckle	13	13	1	95-0234	Deflector - Bottom Hopper	18	8	1
85-9220	Shaft - Steering, Upper	13	14	1	95-0238	Hopper WA	18	1	1
87-2710	Lever Brake	17	6	1	95-0240	Deflector - Top Hopper	18	3	1
87-3480	Bracket - Equalizer, Cable	17	9	1	95-0247	Hinge - Door	20	3	4
87-4710	Spacer - Parking, Brake	17	7	1	95-0249	Door - Hopper WA	20	1	1
87-6020	Decal - Parking Brake	16	40	1	95-0250	Hood WA	20	9	1
87-6020	Decal - Parking Brake	24	8	1	95-0253	Screen - Clamp	20	7	1
87-6620	Screw - Special	13	2	4	95-0263	Tube - Asm	22	7	1
87-8580	Light - Indicator	16	24	1	95-0264	Tube - Asm	22	6	1
88-8160	Plate - Valve	27	43	1	95-0267	Mount - Oil Filter	5	4	1
88-8180	Shaft - Trunion	27	17	1	95-0269	Plate - Cover	16	3	1
88-8210	Plug	27	21	1	95-0272	Bushing - UHMW	9	5	4
88-8220	Valve - Bypass	27	38	1	95-0276	Bushing - Rubber	22	16	4
88-8950	Decal - Warning	23	3	2	95-0277	Bracket - Tube	22	15	4
88-8950	Decal - Warning	25	3	1	95-0281	Filter Head	5	5	1
92-1180	Seat - Olympic	15	1	1	95-0282	Harness - Wire	16	37	1

* Not Illustrated

TORO PART NUMBER INDEX (Continued)

Part No.	Description	Pg. No.	Ref. No.	Qty.	Part No.	Description	Pg. No.	Ref. No.	Qty.
95-0286	Control Ass'y - Choke	16	16	1	95-4744	Steering Bracket WA	13	22	1
95-0287	Cable - Brake, LH	14	*	1	95-4744	Steering Bracket	13	*	1
95-0293	Tire Ass'y	14	*	2	95-4745	Housing - Steering	13	4	1
95-0299	Pulley	10	19	1	95-4746	Steering Cover Ass'y	13	1	1
95-0301	Bushing - Lock, Taper	10	18	1	95-4750	Decal - Routing, Belt	25	5	1
95-0302	Pulley	10	15	1	95-4752	Reel Gate Ass'y	9	1	1
95-0303	Pulley	10	24	1	95-4753	Hose - Hydraulic	22	10	4
95-0309	Adjustment Arm WA	10	17	1	95-4754	Hose - Hydraulic	3	11	1
95-0311	Tube - Pivot, Idler	10	27	1	95-4754	Hose - Hydraulic	22	2	1
95-0313	Link - Door, Lower	21	2	2	95-4755	Hose - Hydraulic	3	12	1
95-0315	Link - Lift, LH	21	10	1	95-4755	Hose - Hydraulic	22	1	1
95-0316	Link - Door, Upper	21	8	2	95-4761	Stop - Steering	1	20	1
95-0319	Slide - Reel Plate, RH	8	24	1	95-4763	Adjuster - Seat	15	2	1
95-0321	Rod - Spring	10	37	1	95-4764	Adjuster - Seat, Handle	15	3	1
95-0322	Door Lift WA	21	17	1	95-4765	Plug - Hole	16	25	4
95-0329	Cover - Top	16	13	1	95-4766	Fuel Cap Ass'y	5	9	1
95-0332	Idler Arm WA	10	30	1	95-4767	Bracket - Door, Lift LH	21	7	1
95-0334	Gauge - Vacuum	3	4	1	95-4768	Sleeve - Tube, Pivot	8	6	2
95-0337	Stop - Belt	10	35	1	95-4769	Knob - Clamping	21	22	1
95-0341	Deflector - Air	8	27	1	95-4772	Access Cover Assy	16	12	1
95-0347	Neutral Plate WA	7	1	1	95-4773	Belt - Retainer Assy	10	8	1
95-0350	Belt	10	42	1	95-4774	Tube - Drain, Case	5	22	1
95-0351	Belt	10	43	1	95-4775	Hose - Hydraulic	3	10	1
95-0352	Bracket - Door, Lift RH	21	*	1	95-4775	Hose - Hydraulic	5	24	1
95-0370	Decal - Throttle	16	32	1	95-4776	Hose - Hydraulic	5	23	1
95-0370	Decal - Throttle	24	3	1	95-4777	Hose - Hydraulic	5	21	1
95-0371	Decal - Choke	16	33	1	95-4778	Fitting - Hydraulic, Barb	3	3	1
95-0371	Decal - Choke	24	4	1	95-4779	Fitting - Hydraulic	5	19	1
95-0377	Seat Plate WA	15	5	1	95-4781	PL - Sup., Hopper Str.	21	13	2
95-0379	Bracket - Pivot, Seat	15	9	1	95-4782	Bushing	9	8	2
95-0382	Bracket - Rest, Seat	15	16	1	95-4784	Plate - Stop, Linkage	1	29	1
95-0383	Decal - Oil	16	23	1	95-4788	Sponge - Neoprene	19	5	1
95-0383	Decal - Oil Light	24	1	1	95-4789	Sponge - Neoprene	5	11	2
95-0384	Decal - Fuse	16	28	1	95-4791	Clamp - Twin	22	12	1
95-0384	Decal - Fuse	24	2	1	95-4792	Plate - Clamp	22	13	1
95-0387	Decal - Operating Instructions	23	4	1	95-4793	Plate - Clamp	22	8	1
95-0388	Decal - Operating, Hopper	23	5	1	95-4794	Clamp - Twin	22	5	1
95-0389	Decal - Operation, Starting	16	39	1	95-4795	Plate - Clamp	22	3	1
95-0389	Decal - Operation, Starting	24	9	1	95-4796	Chain w/Master Link	12	16	1
95-0390	Decal - Operation, Reels	16	38	1	95-4797	Exhaust - Outlet, 90	2	*	1
95-0390	Decal - Operation, Reels	24	7	1	95-4798	Spring - Tilt	13	24	1
95-0393	Link - Lift, RH	21	*	1	95-4799	Spacer - Guard	11	49	2
95-0395	Access Cover Mount WA	1	2	1	95-4800	All Thread	10	5	2
95-0398	Tread - Floorboard	23	6	1	95-4801	Hose - Fuel	2	19	1
95-4702	Reel Lift Handle WA	9	18	1	95-4801	Hose - Fuel	5	26	1
95-4708	Traction Pedal WA	6	3	1	95-4802	Skirt - Rubber	19	7	1
95-4709	Bar - Support, Access Cover	1	16	2	95-4803	Bar - Reinforcement	19	8	1
95-4714	Boot - Steering	13	28	1	95-4808	Traction Pin WA	6	5	1
95-4717	Floor Board Riser WA	1	10	1	95-4813	Bushing	13	10	1
95-4721	Bushing - Straight	6	14	1	95-4814	Baffle - Hopper Inlet, Upper	18	5	1
95-4727	Clevis - Pedal, Traction	6	11	1	95-4815	Baffle - Hopper Inlet, Lower	18	6	1
95-4728	Clevis	6	13	1	95-4816	Control Ass'y - Throttle	16	15	1
95-4729	Sprocket - Steering	12	8	1	95-4817	Guide - Belt	10	21	1
95-4730	Spacer - Sprocket	12	9	4	95-4818	Filter Head Asm	5	*	1
95-4731	U-Bolt	6	12	1	95-4821	Rod End	8	19	2
95-4736	Shaft - Lever, Lift	13	19	1	95-4822	All Thread	8	20	2
95-4737	Rod End - Lever, Lift	13	16	1	95-4825	Spring - Idler	10	38	1
95-4738	Sprocket - Adj, Tilt	13	20	1	95-4826	Sprocket - Steering	13	7	1

* Not Illustrated

TORO PART NUMBER INDEX (Continued)

Part No.	Description	Pg. No.	Ref. No.	Qty.	Part No.	Description	Pg. No.	Ref. No.	Qty.
95-4827	Cable - Pos.	2	26	1	95-4876	Idler Pulley Assembly	11	*	1
95-4828	Cable - Neg.	2	27	1	95-4879	Latch - Draw , Flexible	1	12	2
95-4829	Plate - Reinforcement	20	11	4	95-4888	Bracket - Reel Lift	9	9	1
95-4833	Edging - Rubber	1	19	1	95-4891	Pivot - Lift, Lever	9	15	1
95-4850	Cover - Tank, Gas	2	3	1	95-4893	Ring - Retaining, External	9	25	1
95-4851	Reel Plate Ass'y, RH	8	26	1	95-4894	Prop - Seat, Welded	15	40	1
95-4852	Reel Plate Ass'y, LH	8	8	1	95-4896	Washer - Nylon	15	39	2
95-4853	Guard - Belt, Lower	10	10	1	95-4897	Cap - End	27	1	3
95-4854	Guard - Belt	10	7	1	95-4898	Asm - Housing, Variable	27	8	1
95-4855	Guard - Hydrostat	1	9	1	95-4899	Shaft	27	12	1
95-4856	Guard - Heat	2	16	1	95-4900	Plug	27	24	2
95-4857	Bolt - Shoulder	21	6	8	95-4901	Valve - SCR	27	37	2
95-4858	Fuse, 5A	16	42	1	95-4902	Spring - Gas	21	12	2
95-4859	Cap - Hydraulic	5	29	1	95-4903	O-Ring	27	36	2
95-4860	Hose - Fuel	5	27	1	95-4904	O-Ring	27	14	1
95-4870	Pulley - Idler	11	51	1	95-5809	Bearing - Ball	27	10	1
95-4871	Bearing	11	53	1	95-5812	Asm - Gerotor	27	44	1
95-4872	Ring - Snap	10	12	1	98-1459	Decal - Toro	13	32	1
95-4873	Washer - Lock	6	17	1	98-1468	Cover - Wheel, Steering	13	31	1
95-4874	Nut - Jam	6	16	2	98-1470	Wheel - Steering, Soft	13	29	1

* Not Illustrated

KOHLER PART NUMBER INDEX

Part No.	Description	Pg. No.	Ref. No.	Qty.	Part No.	Description	Pg. No.	Ref. No.	Qty.
235011	Retainer - Spring	31	8	4	24 053 32	Carburetor Assembly	35	6	1
235173	Clip - Cable	32	22	1	24 063 08	Baffle - Cylinder Barrel (#1 side)	33	14	1
236602	Connector	32	21	1	24 063 17	Baffle - Valley (#2 side)	33	11	1
12 018 01	Retainer - Reed	31	27	1	24 063 20	Baffle - Cylinder Barrel (#2 side)	33	10	1
12 032 01	Seal - Governor Cross Shaft	29	13	1	24 063 24	Baffle - Valley (#1 side)	33	13	1
12 050 01	Filter - Oil	30	15	1	24 067 09	Rod - Connecting (Std.)	29	5	2
12 086 14	Screw - Hex. Flange	32	8	1	24 067 10	Rod - Connecting (.25)	29	*	2
12 086 16	Screw - Hex. Flange	31	21	8	24 068 06	Muffler - Low Mount	38	4	1
12 090 10	Lever - Starter Drive	34	6	1	24 079 01	Linkage - Throttle	36	24	1
12 100 01	Nut - Wing	37	6	1	24 079 02	Linkage - Choke	36	12	1
12 112 01	Spacer - Fan	32	10	4	24 081 04	Drive - End Cap	34	4	1
12 132 02	Plug - Spark	32	16	2	24 083 02	Element - Precleaner	37	9	1
12 144 02	Shaft - Governor Gear	30	7	1	24 086 05	Screw - Throttle Stop	35	4	1
12 153 03	O-Ring - Oil Fill Cap	31	25	1	24 086 07	Screw - Solenoid	35	30	1
12 170 04	Armature - Starter	34	11	1	24 086 09	Screw - Carburetor Body	35	18	2
12 173 01	Cap - Valve Spring	31	6	4	24 086 10	Screw - Idle Speed Adj.	35	27	1
12 237 01	Clamp - Cable	36	7	2	24 086 12	Screw - Hex. Cap	35	13	2
12 239 01	Drive - Pinion	34	10	1	24 086 16	Screw - Hex. Flange	30	19	10
12 351 02	Lifter - Valve	31	14	4	24 086 18	Screw - Phillips Head	32	20	2
12 380 01	Pin - Governor Regulating	30	5	1	24 086 32	Screw - Shoulder	31	2	4
12 380 04	Pin - Hitch	29	11	1	24 089 01	Spring - Linkage	36	22	1
12 380 17	Pin - Dow el Locating	29	4	6	24 089 02	Spring - Valve	31	7	4
12 422 07	Shim - Camshaft	29	*	A/R	24 089 03	Spring - Choke Return	36	2	1
12 422 08	Shim - Camshaft	29	*	A/R	24 089 10	Spring - Idle Speed Adj.	35	26	1
12 422 09	Shim - Camshaft	29	9	A/R	24 089 11	Spring - Idle Adj.	35	9	1
12 422 10	Shim - Camshaft	29	*	A/R	24 089 18	Spring - Governor	36	17	1
12 422 11	Shim - Camshaft	29	*	A/R	24 089 38	Spring - Throttle Limiter	36	16	1
12 422 12	Shim - Camshaft	29	*	A/R	24 090 03	Lever - Throttle Control	36	9	1
12 422 13	Shim - Camshaft	29	*	A/R	24 090 05	Lever - Choke	36	13	1
12 468 03	Washer - Flyw heel Mtg. Screw	32	7	1	24 090 07	Lever, throttle acutator	36	6	1
12 471 01	Frame	34	12	1	24 090 14	Lever - Governor	36	19	1
12 755 03	Kit - Retainer	31	5	4	24 094 03	Base - Air Cleaner	37	13	1
24 009 82	Plate Asm - Closure	30	1	1	24 096 01	Cover - Inner Air Cleaner	37	7	1
24 012 05	Camshaft	29	10	1	24 096 02	Cover - Breather	31	33	1
24 014 02	Crankshaft	29	17	1	24 096 24	Cover - Air Cleaner	37	5	1
24 016 01	Valve - Exhaust (Std.)	31	12	2	24 098 01	Starter - Solenoid Shift	34	2	1
24 016 02	Valve - Exhaust (.25)	31	*	2	24 100 01	Nut - Plastic	33	2	3
24 017 01	Valve - Intake (Std.)	31	11	2	24 100 01	Nut - Plastic	35	11	2
24 017 02	Valve - Intake (.25)	31	*	2	24 100 02	Nut - Plastic	33	4	2
24 018 01	Retainer - Piston Pin	29	7	4	24 108 01	Ring Set (Std.)	29	8	2
24 018 03	Retainer	32	15	3	24 108 02	Ring Set (.25)	29	*	2
24 025 01	Flyw heel	32	5	1	24 108 03	Ring Set (.50)	29	*	2
24 027 20	Housing - Blow er	33	1	1	24 113 11	Decal - HP	33	*	1
24 032 01	Seal - Oil Front	29	3	1	24 123 08	Tube - Dipstick	30	3	1
24 032 03	Seal - Air Intake	37	8	1	24 126 04	Bracket - Support	36	26	2
24 032 05	Seal - Valve Stem	31	9	2	24 126 10	Bracket - Muffler Guard	38	9	1
24 033 01	Kit - Breather Cover w/Gasket	31	30	1	24 126 12	Bracket - Muffler	38	6	1
24 038 06	Dipstick	30	2	1	24 126 21	Bracket - Air Cleaner	37	12	1
24 041 01	Gasket - Intake Manifold	37	16	2	24 126 48	Bracket - Muffler Guard	38	11	1
24 041 02	Gasket - Exhaust	38	3	2	24 126 56	Bracket - Control	36	4	1
24 041 06	Gasket - Air Cleaner	35	7	1	24 136 01	Nipple - Oil Filter	30	16	1
24 041 06	Gasket - Air Cleaner Base	37	17	1	24 144 01	Shaft - Governor Cross	29	15	1
24 041 08	Gasket - Cylinder Head	31	16	2	24 144 23	Shaft - Front Drive	32	12	1
24 041 09	Gasket - Carburetor Body	35	19	1	24 146 02	Plate - Backing (#2 side)	33	8	1
24 041 17	Gasket - Carburetor	35	5	1	24 146 08	Plate - Backing (#1 side)	33	15	1
24 041 23	Gasket - Breather	31	32	1	24 153 01	O-Ring - Oil Pump	30	11	1
24 043 12	Kit - Governor Gear	30	4	1	24 153 02	O-Ring - Slow Jet	35	20	2
24 050 01	Filter - Breather	31	29	1	24 153 04	O-Ring - Solenoid	35	31	1

* Not Illustrated

KOHLER PART NUMBER INDEX (Continued)

Part No.	Description	Pg. No.	Ref. No.	Qty.	Part No.	Description	Pg. No.	Ref. No.	Qty.
24 153 05	O-Ring - Solenoid	35	32	1	25 186 01	Arm - Rocker	31	18	4
24 153 06	O-Ring - Solenoid	35	34	1	25 341 03	Knob - Cover	37	3	1
24 153 08	O-Ring	30	9	1	25 353 10	Line - Fuel	35	1	2
24 153 09	O-Ring	31	23	1	25 403 03	Rectifier/Regulator	32	17	1
24 153 15	O-Ring	37	4	1	25 518 28	Lead - Black	32	*	1
24 153 16	O-Ring	31	3	1	25 755 13	Kit - Oil Fill Cap	31	24	1
24 154 01	Clip - Inlet Needle Valve	35	23	1	41 468 03	Washer - Wave	36	14	1
24 157 01	Fan	32	9	1	47 083 03	Element - Air Cleaner	37	10	1
24 162 16	Screen - Grass	32	14	1	47 154 01	Clip - Cable	35	14	1
24 164 14	Manifold - Intake	37	15	1	48 154 02	Clip - Cable	32	24	1
24 173 02	Cap - Choke Lever	35	17	1	52 032 08	Seal - Oil	30	8	1
24 176 51	Harness - Wiring	32	*	1	52 089 09	Spring - Brush	34	15	4
24 176 71	Bracket - Stator Wire	32	*	1	52 099 06	Sw itch - Oil Pressure	30	20	1
24 301 01	Commutator - End Cap	34	18	1	52 100 09	Nut - Starter	34	9	1
24 314 02	Guard - Muffler	38	14	1	52 100 10	Nut - Starter	34	5	2
24 318 09	Head Asm - #1 Cylinder	31	10	1	52 139 02	Plug - Hex. Head	29	2	2
24 318 10	Head Asm - #2 cylinder	31	17	1	52 139 09	Plug - Cup	29	16	2
24 326 06	Hose - Breather	31	35	1	52 168 01	Insulator	34	16	1
24 337 01	Jet - Slow	35	21	1	52 211 05	Bolt - Thru	34	17	2
24 337 02	Jet - Main	35	25	1	52 221 01	Kit - Brush & Spring	34	13	1
24 368 01	Needle - Idle Adj.	35	10	1	52 323 03	Holder - Brush	34	14	1
24 381 04	Pick-Up - Oil	30	12	1	52 435 02	Solenoid	34	8	1
24 393 04	Pump - Fuel	35	12	1	52 448 02	Tab - Locking	30	6	1
24 393 10	Pump Asm - Oil	30	10	1	54 755 01	Kit - Knob w/Seal	37	2	1
24 402 03	Reed - Breather	31	26	1	54 755 09	Kit - 15 Amp Stator	32	1	1
24 411 05	Rod - Push	31	15	4	M-0401030	Screw - Hex. Cap	36	11	1
24 435 01	Solenoid	35	29	1	M-0446030	Nut - Hex. Flange	36	10	1
24 445 01	Strap - Lifting	31	4	1	M-0545010	Screw - Hex. Flange	31	28	1
24 462 01	Valve - Inlet Needle	35	22	1	M-0545010	Screw - Hex. Flange	33	12	2
24 468 01	Washer - Plain	36	5	3	M-0545016	Screw - Hex. Flange	33	6	5
24 521 01	Seat - Solenoid	35	33	1	M-0545016	Screw - Hex. Flange	36	8	3
24 522 01	Short Block	29	*	1	M-0545016	Screw - Hex. Flange	38	13	2
24 584 01	Module - Ignition	32	3	2	M-0545020	Screw - Hex. Flange	32	4	4
24 599 01	Pivot - Rocker Arm	31	19	4	M-0545020	Screw - Hex. Flange	33	7	4
24 743 05	Kit - Air Cleaner Cover	37	1	1	M-0545020	Screw - Hex. Flange	36	15	1
24 755 03	Gasket Set	29	*	1	M-0547050	Nut - Hex. Flange	36	1	1
24 755 66	Kit - Valve Train	31	13	1	M-0548025	Screw - Hex. Cap	32	2	2
24 755 74	Kit - Valve Cover - Plain	31	1	1	M-0550010	Screw - Hex. Flange	38	12	2
24 755 75	Kit - Valve Cover - Oil Fill	31	22	1	M-0551016	Screw - Hex. Flange	33	5	2
24 755 80	Kit - Muffler Guard	38	10	1	M-0631005	Washer - Plain	29	12	1
24 755 84	Kit - Starter Repair	34	7	1	M-0631005	Washer - Plain	30	13	2
24 757 01	Kit - Solenoid Asm	35	28	1	M-0639010	Screw - Hex. Flange	36	25	2
24 757 02	Kit - Float Repair	35	24	1	M-0639016	Screw - Hex. Flange	32	11	4
24 757 03	Kit - Carburetor Repair	35	*	1	M-0639016	Screw - Hex. Flange	37	11	3
24 757 07	Kit - Choke Repair	35	16	1	M-0640034	Screw - Hex. Flange	31	20	4
24 782 01	Miniblock	29	*	1	M-0641060	Nut - Hex. Flange	36	20	1
24 786 06	Kit - Low Mount Muffler,				M-0645016	Screw - Hex. Flange	33	9	6
	#1 Side Outlet	38	2	1	M-0645016	Screw - Hex. Flange	36	3	4
24 853 35	Kit - Carburetor w/Gasket	35	3	1	M-0645020	Screw - Hex. Flange	31	36	4
24 874 01	Piston w/Ring set (Std.)	29	6	2	M-0645025	Screw - Hex. Flange	30	14	2
24 874 02	Piston w/Ring set (.25)	29	*	2	M-0650012	Screw - Hex. Flange	35	15	1
24 874 03	Piston w/Ring set (.50)	29	*	2	M-0650012	Screw - Hex. Flange	38	7	2
25 072 04	Stud	38	1	4	M-0651030	Screw - Hex. Flange	35	8	2
25 113 05	Decal - Oil Sentry	30	*	1	M-0651055	Screw - Hex. Flange	37	14	4
25 139 16	Plug - Button	33	3	1	M-0839020	Screw - Hex. Flange	38	8	2
25 155 02	Connector - 90° Hose	30	17	1	M-0839025	Screw - Hex. Flange	32	13	4
25 158 08	Bushing - Linkage Retaining	36	23	1	M-0839080	Screw - Hex. Flange	34	1	2
25 158 11	Bushing - Throttle Linkage	36	21	1	M-0841080	Nut - Hex Flange	34	3	1

* Not Illustrated

KOHLER PART NUMBER INDEX (Continued)

Part No.	Description	Pg. No.	Ref. No.	Qty.	Part No.	Description	Pg. No.	Ref. No.	Qty.
M-0841080	Nut - Hex. Flange	38	5	4	X-42-15	Key	32	6	1
SM-0642025	Screw - Hex. Flange	36	18	1	X-426-9	Clamp - Hose	31	34	1
X-22-11	Washer - Lock	32	18	1	X-426-9	Clamp - Hose	35	2	6
X-25-102	Washer - Plain	29	14	1	X-75-23	Plug - Allen Head	30	18	1
X-25-63	Washer - Plain	32	23	1	X-75-23	Plug - Allen Hd.	31	31	1
X-25-92	Washer - Plain	32	19	2					

PRODUCT CHANGES

In an effort to make improvements available to TORO owners as quickly as possible minor changes are incorporated into Toro's products from time to time that do not become immediately shown in the Parts Catalog. If such a change has been made in your unit which is not reflected in your manual see your TORO Distributor or an Authorized Service Dealer for information and part numbers.

IDENTIFICATION & ORDERING

MODEL AND NUMBERS

The Turf Sweeper 4800 has two identification numbers; a model number and a serial number. The two numbers are stamped on a plate which is located on the main frame. In any correspondence concerning the Turf Sweeper 4800, supply model and serial numbers to assure that correct information and replacement parts are obtained.

To order replacement parts from your TORO Distributor or an Authorized Service Dealer, supply the following information:

1. Model and serial number of the unit.
2. Part number description and the quantity of part (s) desired.

NOTE: Do not order by reference number if a parts catalog is being used: use the PART NUMBER.

TABLE OF CONTENTS

Description	Page	Description	Page
Main Frame Assembly	1	Parking Brake Assembly	17
Engine Mounting	2	Hopper Assembly	18
Pump Assembly	3	Hopper Mounting	19
Dive Shaft - Pump	4	Door Assembly	20
Hydraulic Reservoir & Fuel Tank	5	Door Lift Assembly	21
Traction Control	6	Hydraulic Tubes & Hoses	22
Neutral Return Assembly	7	Decals	23 - 25
Reel Assembly	8	Hydraulic Motor Assembly - No. 92-9199	26
Reel Lift Assembly	9	Hydraulic Pump Assembly - No. 95-0156	27 - 28
Belt Drive Assembly	10 - 11	Engine Kohler Model CH18S -	
Yoke Assembly	12	Spec. No. 62566	29 - 38
Tilt Assembly	13	Hydraulic Schematic	39
Wheel & Brake Assembly	14	Electrical Schematic	40
Seat Assembly	15	Toro Part Number Index	41 - 46
Control Panel Assembly	16	Kohler Part Number Index	47 - 49

NOTES

