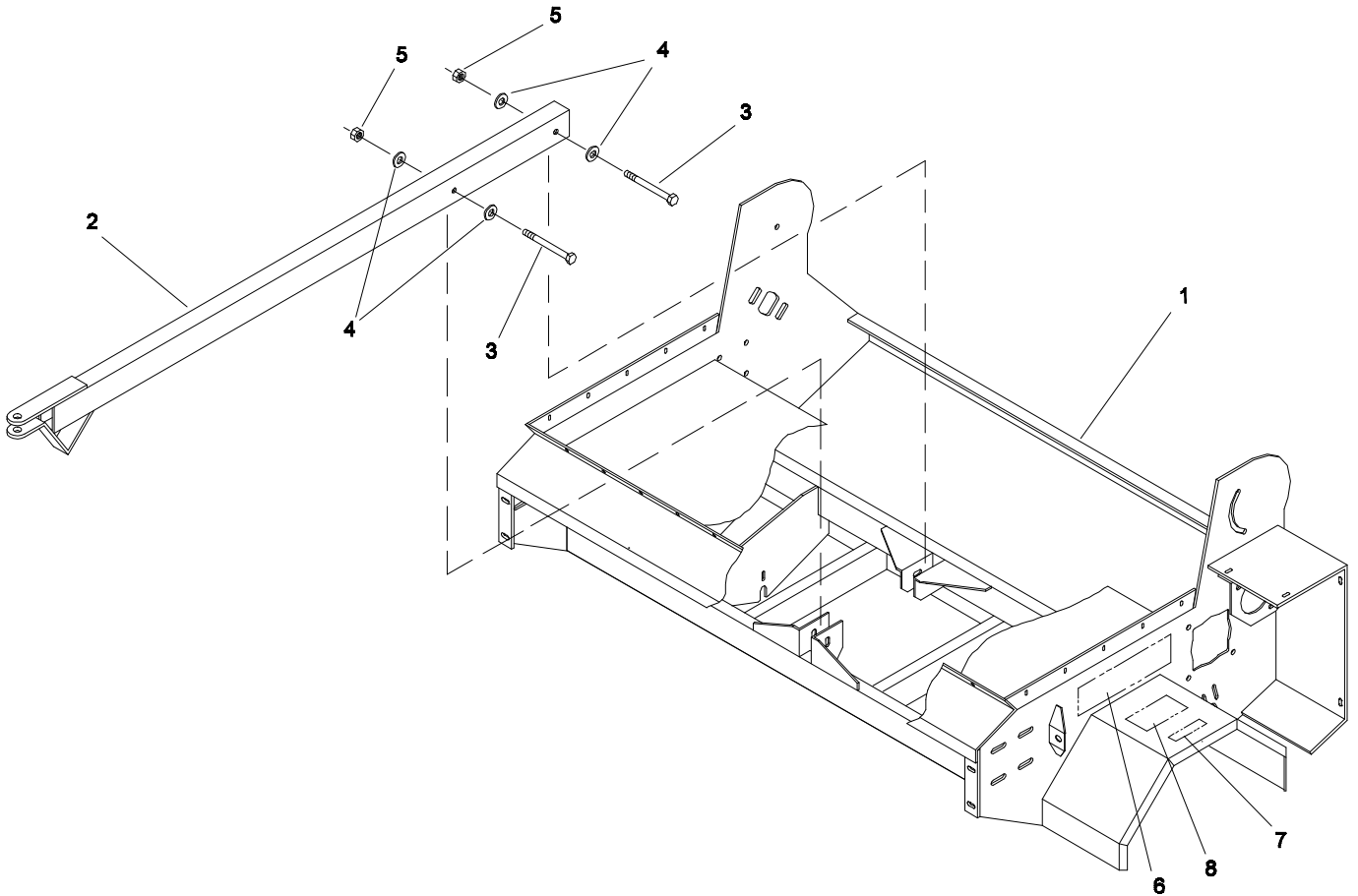




MODEL NO. 44501 - 80500 & UP

**PARTS  
CATALOG**

**TOPDRESSER 2300**

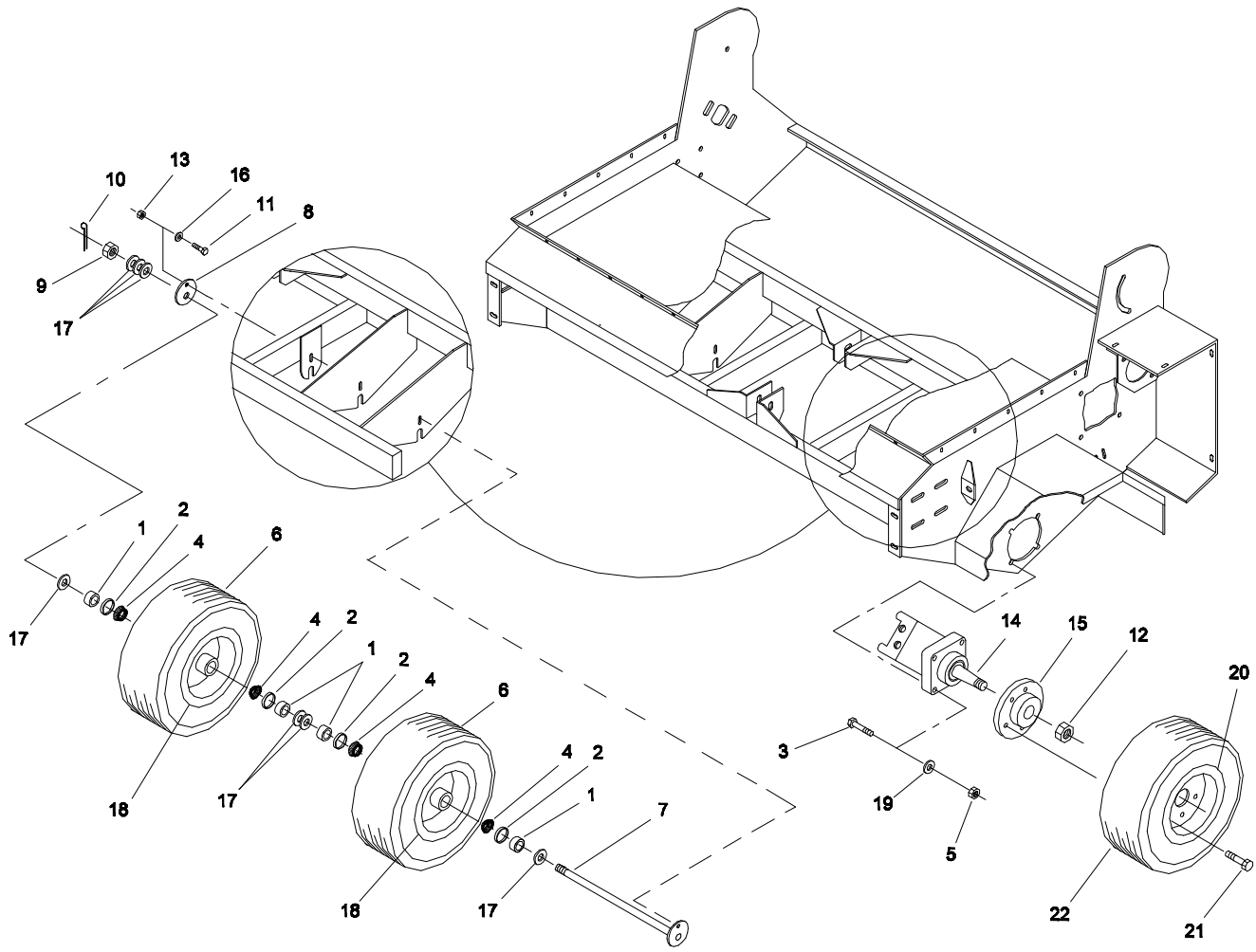


**TONGUE ASSEMBLY**

23-001F

Ref. No.	Part No.	Description	No. Used
1	23-005-0103	Main Frame	1
2	23-005-0161	Hitch	1
3	325-14	Capscrew - Hex Hd.	2
4	3256-6	Flat Washer	4

Ref. No.	Part No.	Description	No. Used
5	3296-23	Nut - ESNA Lock	2
6	01-506-0690	Decal - Topdresser 2300	2
7	75-5190	Decal - No Riders	2
8	01-506-0240	Decal - Warning	2



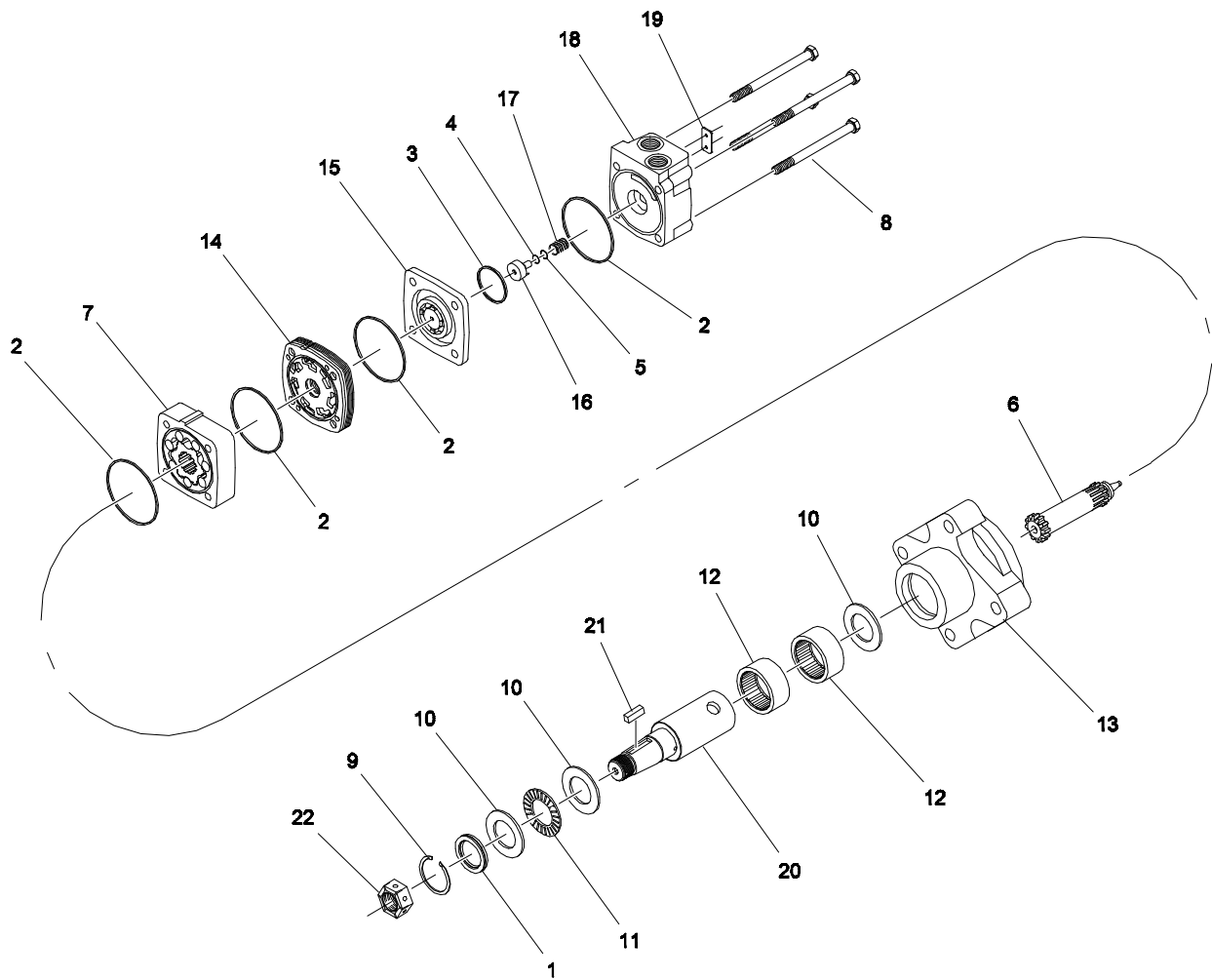
## WHEEL ASSEMBLY

23-002F

Ref. No.	Part No.	Description	No. Used
1	01-269-0060	Axle Spacer	8
2	01-405-0460	Seal	8
3	325-10	Capscrew - Hex Hd.	8
4	254-78	Bearing Cone	8
5	3296-23	Nut - ESNA Lock	8
6	01-269-0350	Tire	4
7	23-005-0151	Axle	2
8	23-004-0241	Axle Bracket	2
9	01-190-1210	Slotted Nut	2
10	3272-15	Cotter Pin	2
11	323-6	Capscrew - Hex Hd.	2
12	01-304-1240	Pack Nut	2

Ref. No.	Part No.	Description	No. Used
13	3296-39	Nut - ESNA Lock	2
14	01-304-0990	Hydraulic Motor (Incl. Ref. #25)	2
*	01-304-1000	Seal Kit	1
15	01-269-2540	Hub	2
16	3256-4	Flat Washer	2
17	01-168-1210	Machinery Bushing	14
18	01-269-0360	Wheel	4
*	01-215-0100	Grease Fitting (for Ref. #24)	4
19	3256-26	"SAE" Flat Washer	8
20	01-269-1020	Wheel	2
21	01-158-2040	Lug Bolt	10
22	01-269-0320	Tire	2

\* Not Illustrated



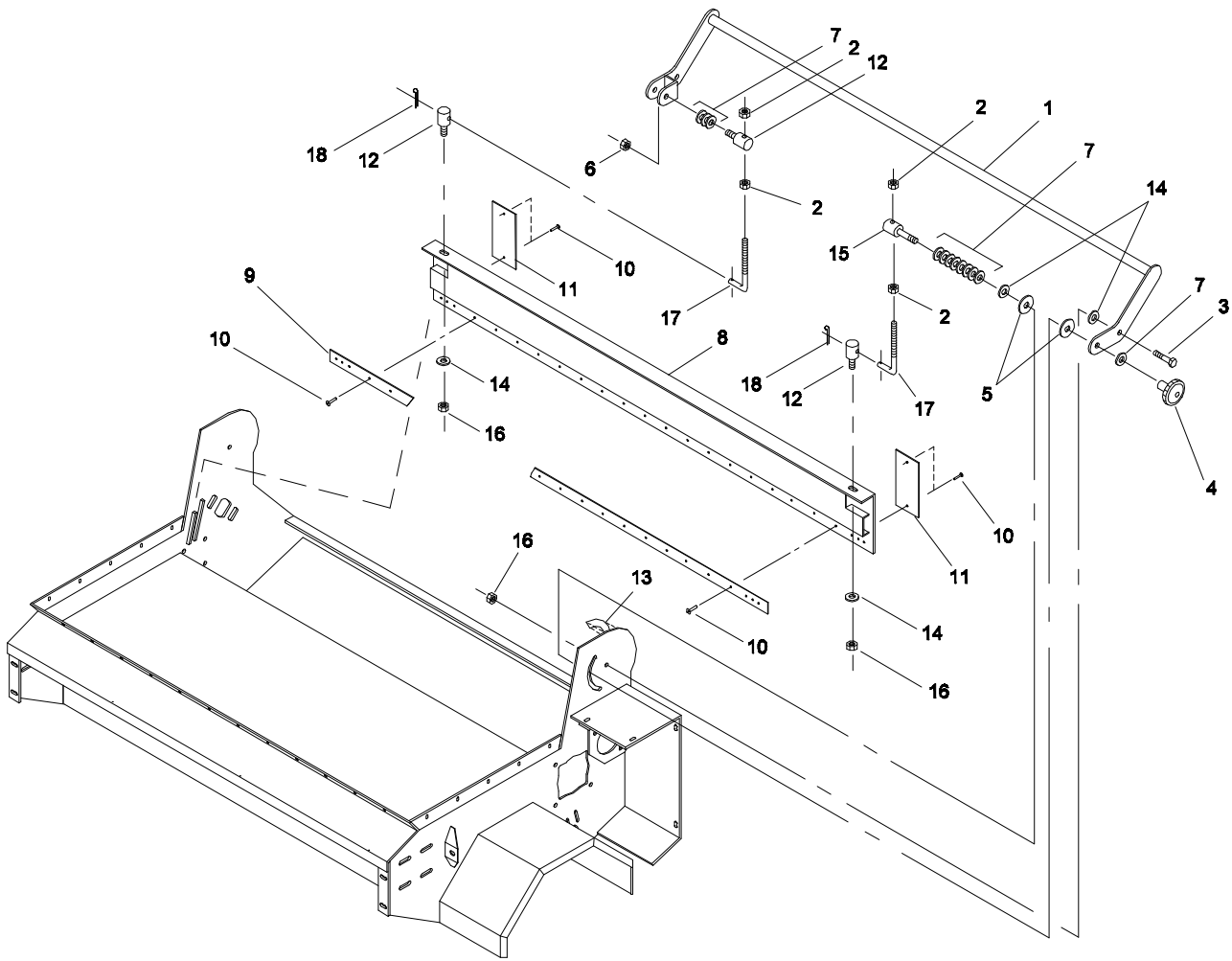
## HYDRAULIC MOTOR - NO. 01-304-0990

HYDM0990

Ref. No.	Part No.	Description	No. Used
1		Shaft Seal	1
2		Body Seal	4
3		Commutator	1
4		Teflon Backup Seal	1
5		O-Ring Seal	1
*	01-304-1000	Seal Kit (Incl. #1 - 5)	1
6	01-304-1150	Drive Link	1
7	01-304-1160	Rotor Set	1
8	01-304-1170	Bolt Set (4)	1
9	01-304-1040	Snap Ring	1
10	01-304-1050	Thrust Washer	3
11	01-304-1060	Thrust Bearing	1
12	01-304-1070	Needle Bearing	2
13		Housing	1

Ref. No.	Part No.	Description	No. Used
*	01-304-1080	Housing Bearing Kit (Incl. #10,12,13)	1
14	01-304-1090	Manifold	1
15	01-304-1100	Commutator Assembly	1
16	01-304-1110	Endcover Piston	1
17	01-304-1120	Piston Spring	1
18		Endcover	1
*	01-304-1130	Endcover Kit (Incl. #2,4,5,16,17,18)	1
19		I.D. Tag Assembly	1
20		Shaft	1
21		Shaft Key	1
22	01-304-1240	Pack Nut	1
*	01-304-1180	Shaft Kit (Incl. #20 - 22)	1

\* Not Illustrated

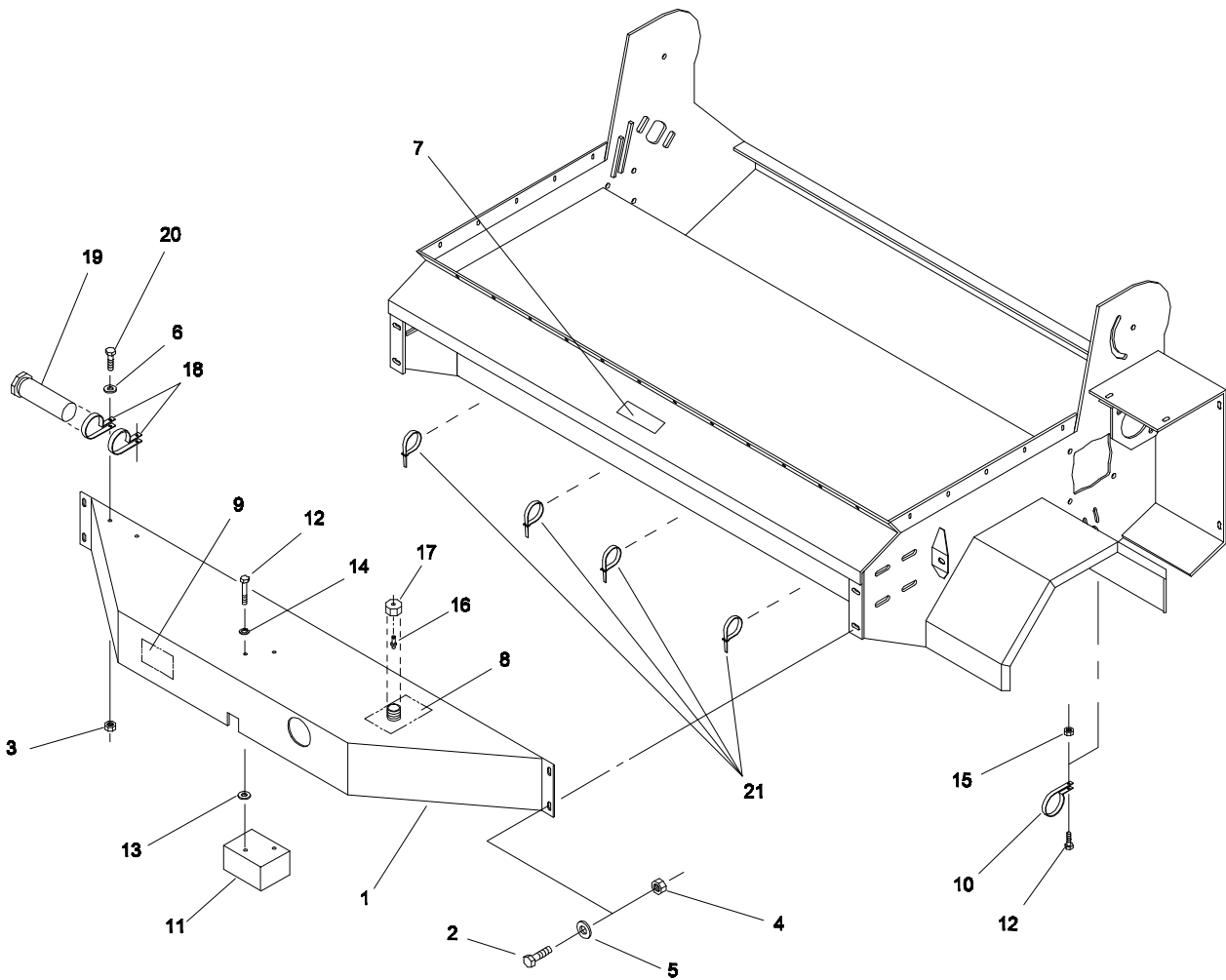


## GATE CONTROL ASSEMBLY

23-003F

Ref. No.	Part No.	Description	No. Used
1	23-005-0141	Gate Control Arm	1
2	3218-5	Jam Nut	4
3	325-5	Capscrew - Hex Hd.	2
4	01-256-0200	Knob	1
5	23-004-0721	Plastic Washer	2
6	32153-5	Nut - Side Lock	1
7	3256-26	"SAE" Flat Washer	11(var)
8	23-005-1111	Gate	1
9	23-004-0221	Gate Seal	1

Ref. No.	Part No.	Description	No. Used
10	3269-20	Pop Rivet	26
11	23-004-1041	Slide	2
12	56-104-0301	Adjustment Lug-short	3
13	01-506-0210	Decal - Height Adjustment	1
14	3256-6	Flat Washer	5
15	23-004-1061	Adjustment Lug-long	1
16	3296-23	Nut - ESNA Lock	4
17	23-004-1021	Gate Rod	2
18	3272-11	Cotter Pin	2



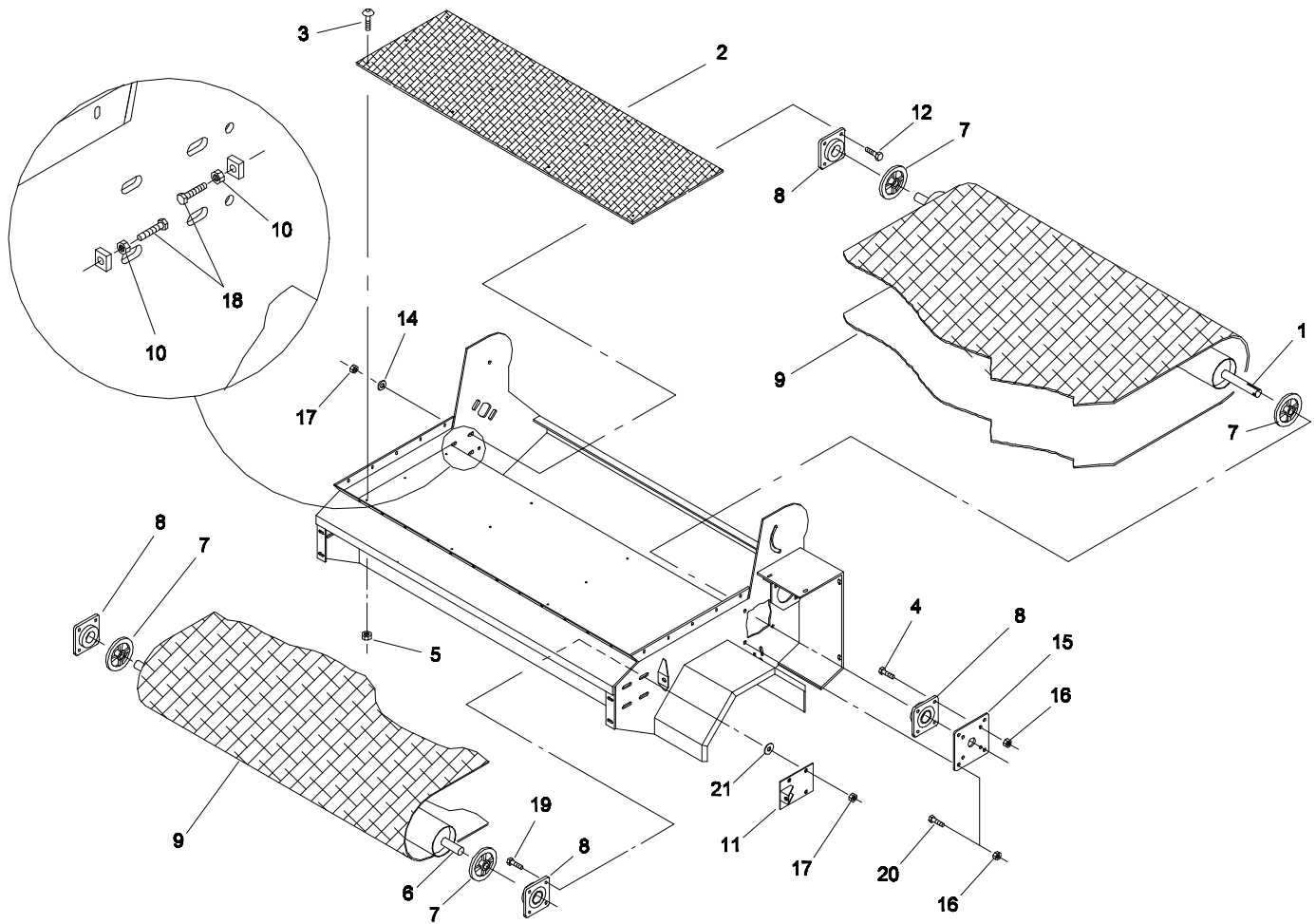
## HYDRAULIC TANK ASSEMBLY

23-004F

Ref. No.	Part No.	Description	No. Used
1	23-005-0171	Hydraulic Tank	1
2	323-6	Capscrew - Hex Hd.	4
3	3296-42	Nut - ESNA Lock	2
4	3290-357	Nut - Whiz Lock Flg	4
5	3256-4	Flat Washer	4
6	3256-2	Flat Washer	2
7	75-5190	Decal - No Riders	1
8	01-506-0250	Decal - Danger	1
9	62-7400	Decal - Toro	1
10	2412-74	R-Clamp	1
11	01-308-1590	Hydraulic Valve	1
12	322-5	Capscrew - Hex Hd.	3

Ref. No.	Part No.	Description	No. Used
13	3256-3	Flat Washer	2
14	3253-4	Lock Washer	2
15	3296-29	Nut - ESNA Lock	1
16	01-269-1530	Valve Stem	1
17	02-201-2170	Cap	1
*	23-002-0021	Pressure Cap Assembly (Incl. Ref. #16, 17)	1
18	2412-133	R-Clamp	2
19	74-0720	Manual Tube	1
20	321-6	Capscrew - Hex Hd.	2
21	3334-945	Cable Tie	4

\* Not Illustrated



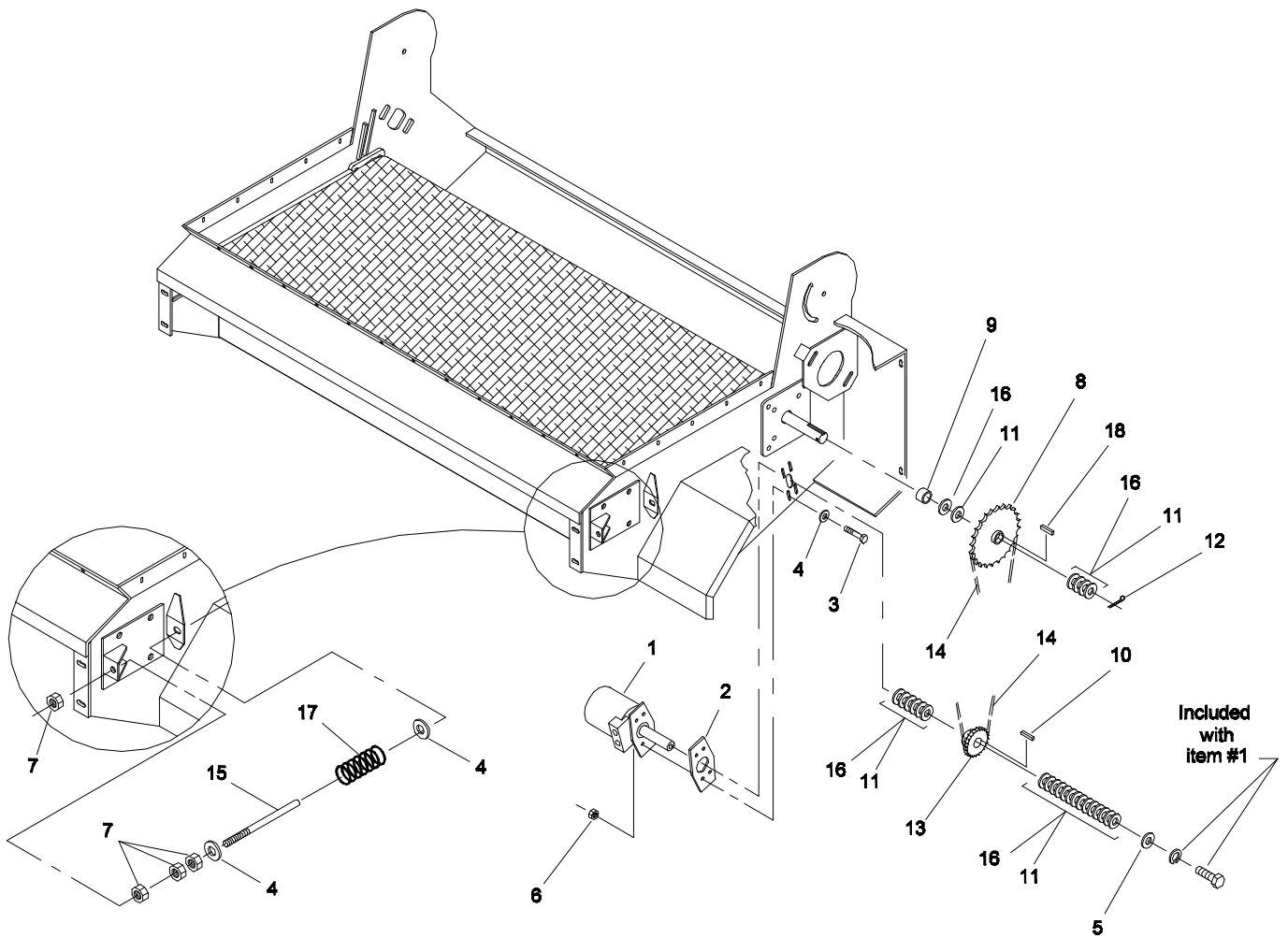
## ROLLER ASSEMBLY

23-005F

Ref. No.	Part No.	Description	No. Used
1	23-005-0121	Drive Roller	1
2	23-004-0271	Conveyor Top	1
3	32122-28	Truss Head Machine Screw	12
4	325-5	Capscrew - Hex Hd.	4
5	3296-2	Nut - ESNA Lock	12
6	23-005-0111	Idler Roller	1
7	01-260-1790	Sheave	4
8	01-100-0180	Bearing	4
9	98-8896	Conveyor Belt	1
*	01-271-0360	Pin - Lacing	1
10	3217-7	Hex Nut	2

Ref. No.	Part No.	Description	No. Used
11	23-005-0951	Bearing Pull	2
12	325-6	Capscrew - Hex Hd.	4
13	3253-7	Lock Washer	8
14	3256-26	"SAE" Flat Washer	8
15	23-004-0581	Roller Cover	1
16	3296-45	Nut - ESNA Lock	8
17	3296-23	Nut - ESNA Lock	12
18	67-1900	Capscrew - Hex Hd.	2
19	325-8	Capscrew - Hex Hd.	8
20	325-4	Capscrew - Hex Hd.	4
21	23-004-0721	Belt Roller Washer	8

\* Not Illustrated



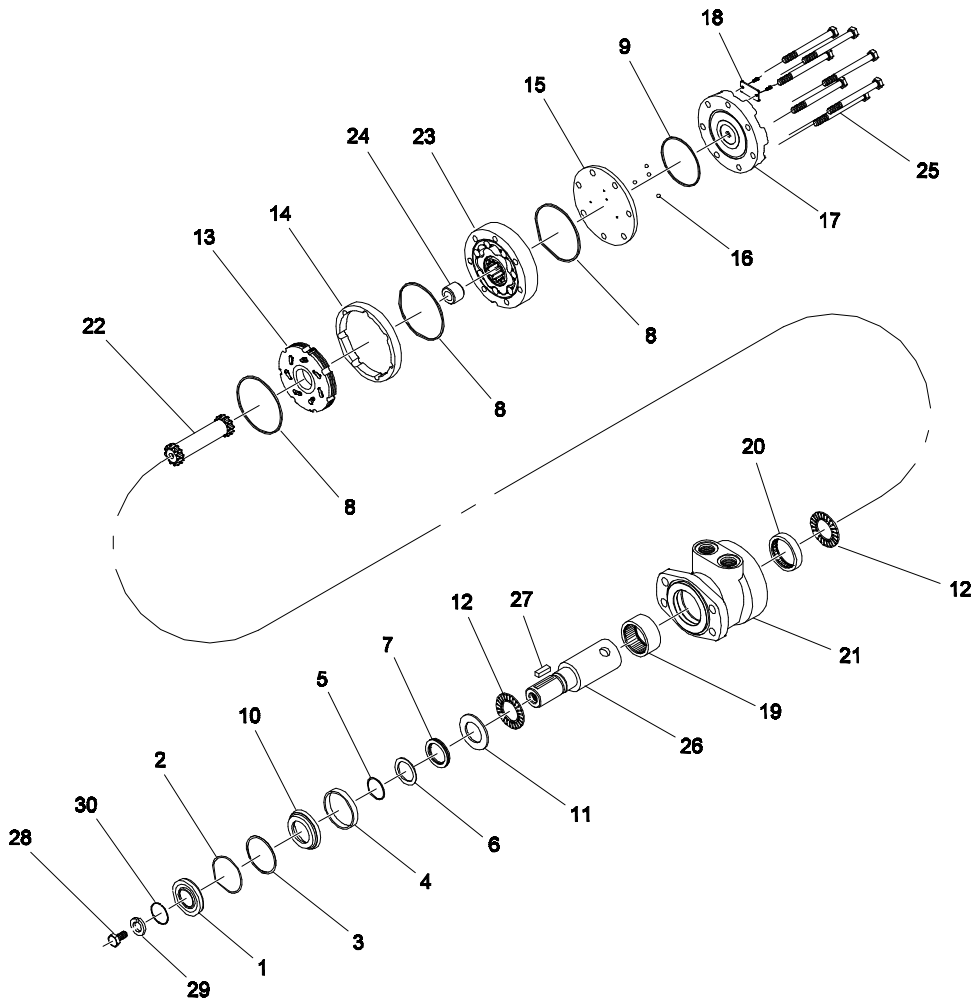
## BELT DRIVE & ASSEMBLY

23-006F

Ref. No.	Part No.	Description	No. Used
1	01-304-1190	Hydraulic Motor	1
*	01-304-1420	Seal Kit	1
*	01-304-1200	Seal Kit	1
2	18-204-0461	Motor Spacer	1
3	325-7	Capscrew - Hex Hd.	4
4	3256-6	Flat Washer	8
5	3256-7	Flat Washer	1
6	3296-23	Nut - ESNA Lock	4
7	3217-9	Hex Nut	8
8	01-262-0960	Sprocket	1
9	23-004-0751	Sprocket Spacer	1

Ref. No.	Part No.	Description	No. Used
10	23-004-1091	Key	1
11	01-168-2014	Machinery Bushing	13(var)
12	3272-25	Cotter Pin	1
13	01-262-1540	Sprocket	1
14	23-004-0821	Drive Chain, #50	1
*	01-251-0020	Offset Link, #50	1
15	23-004-0741	Belt Tension Rod	2
16	01-168-2010	Machinery Bushing	13(var)
17	01-261-0400	Spring	2
18	10-7070	Key	1

\* Not Illustrated



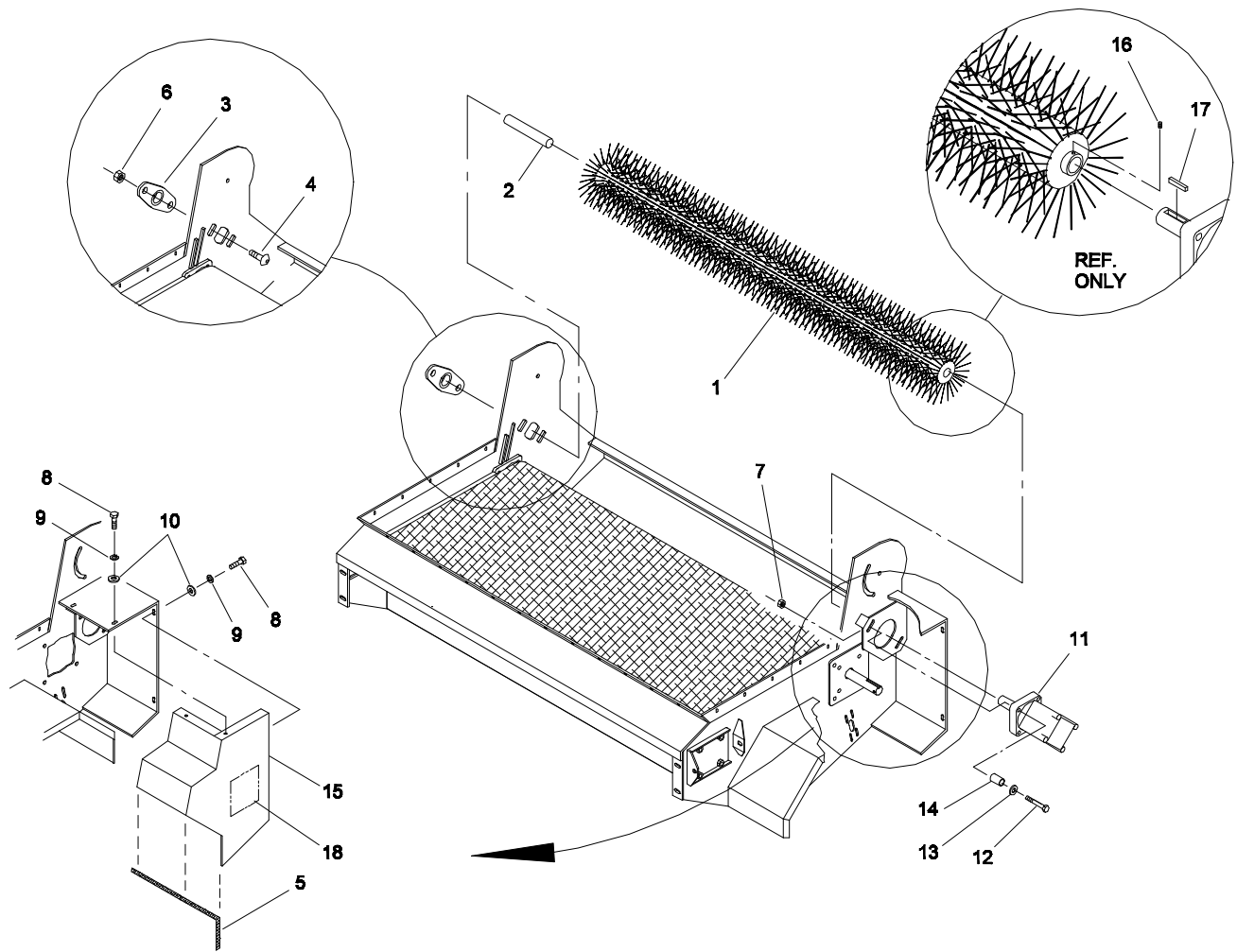
## HYDRAULIC MOTOR - NO. 01-304-1190

HYDM1190

Ref. No.	Part No.	Description	No. Used
1		Dust Seal	1
2		Snap Ringl	1
3		Backup Shim	1
4		Lathe Cut Seal	1
5		Backup Shim	1
6		Teflon Backup	1
7		Shaft Seal	1
8		Body Seal	3
9		Endcover Seal	1
*	01-304-1420	Seal Kit (Inc. #1 - 9)	1
10		Seal Carrier	1
11		Thrust Washer	1
*	01-304-1200	Seal Kit (Incl. #10,11)	1
12	01-304-0660	Thrust Bearing	2
13	01-304-1560	Manifold (CCW)	1
14	01-304-1550	Manifold Boot	1
15		Balance Plate	1
16		Ball (3/16" steel)	4

Ref. No.	Part No.	Description	No. Used
*	01-304-1570	Balance Plate Kit (Incl. #15,16)	1
17	01-304-1580	Endcover	1
18		I. D. Tag Assembly	1
19		Roller Bearing	1
20		Roller Bearing	1
21		Housing	1
*	01-304-0910	Housing Kit (Incl. #19 - 21)	1
22	01-304-0920	Drive Link	1
23	01-304-0930	Rotor Set	1
24	01-304-1210	Drive Link Spacer	1
25	01-304-0940	Bolt Set (7)	1
26		Shaft	1
27		Shaft Key	1
28		Bolt	1
29		Lock Washer	1
30		Wire Ring	1
*	01-304-0460	Shaft Kit (Incl. #26 - 30)	1

\* Not Illustrated



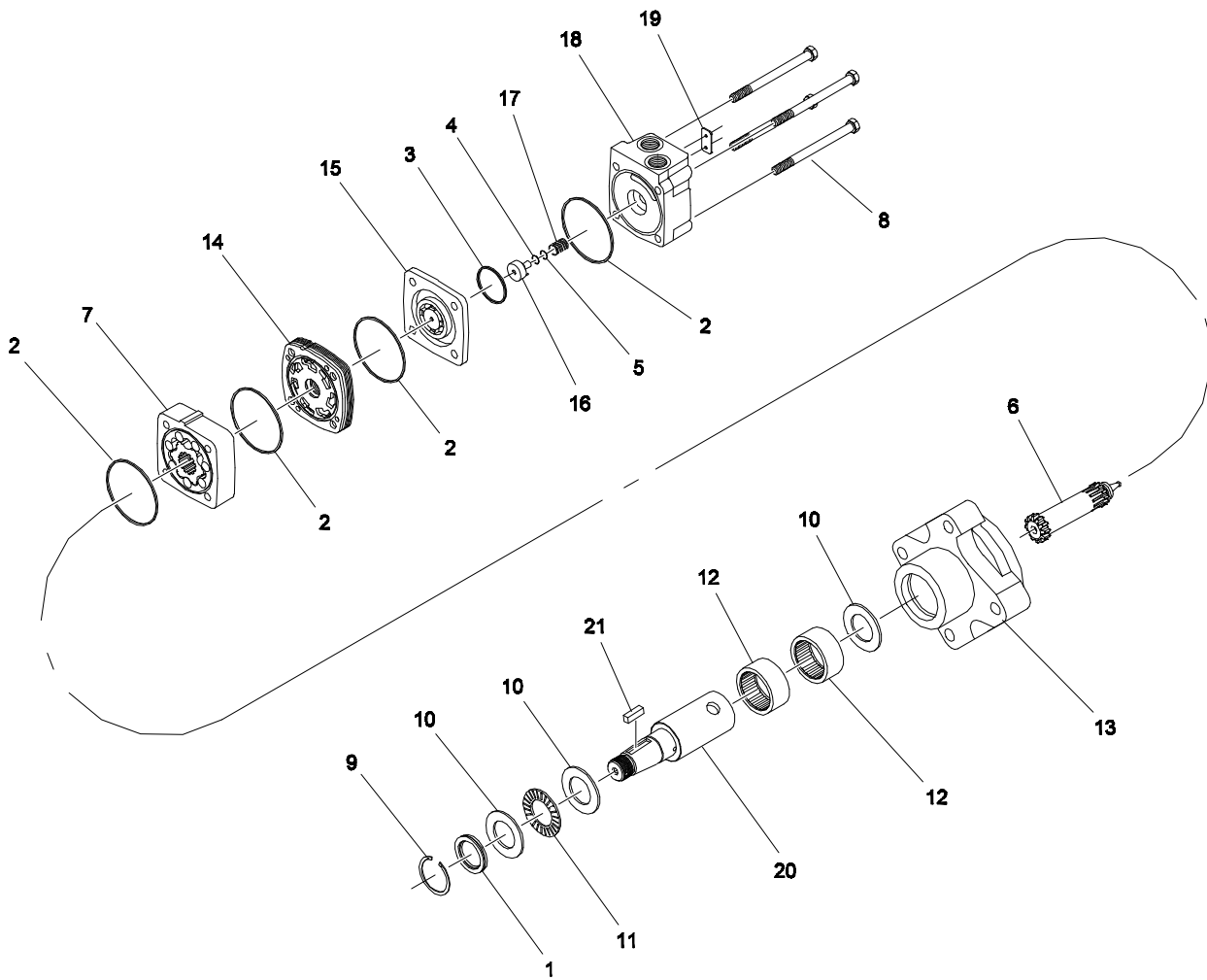
## BRUSH ASSEMBLY

23-007F

Ref. No.	Part No.	Description	No. Used
1	01-286-0440	Brush (Incl. Ref. #16, 17)	1
2	23-004-0831	Brush Shaft	1
3	01-100-0160	Bearing	1
4	3231-25	Carriage Bolt	2
5	23-004-0931	Rubber Seal	1
6	3296-39	Nut - ESNA Lock Flg	2
7	32128-49	Nut - Whiz Lock Flg	2
8	322-3	Capscrew - Hex Hd.	4
9	3253-4	Lock Washer	4
10	3256-3	Flat Washer	4

Ref. No.	Part No.	Description	No. Used
11	01-304-0980	Hydraulic Motor	1
*	01-304-1000	Seal Kit	1
12	325-14	Capscrew - Hex Hd.	2
13	3256-26	"SAE" Flat Washer	2
14	23-004-0851	Motor Bolt Spacer	2
15	23-005-0131	Guard	1
16	3245-20	Set Screw	3
17	5-7280	Key	1
18	01-506-0050	Decal - Danger	1

\* Not Illustrated



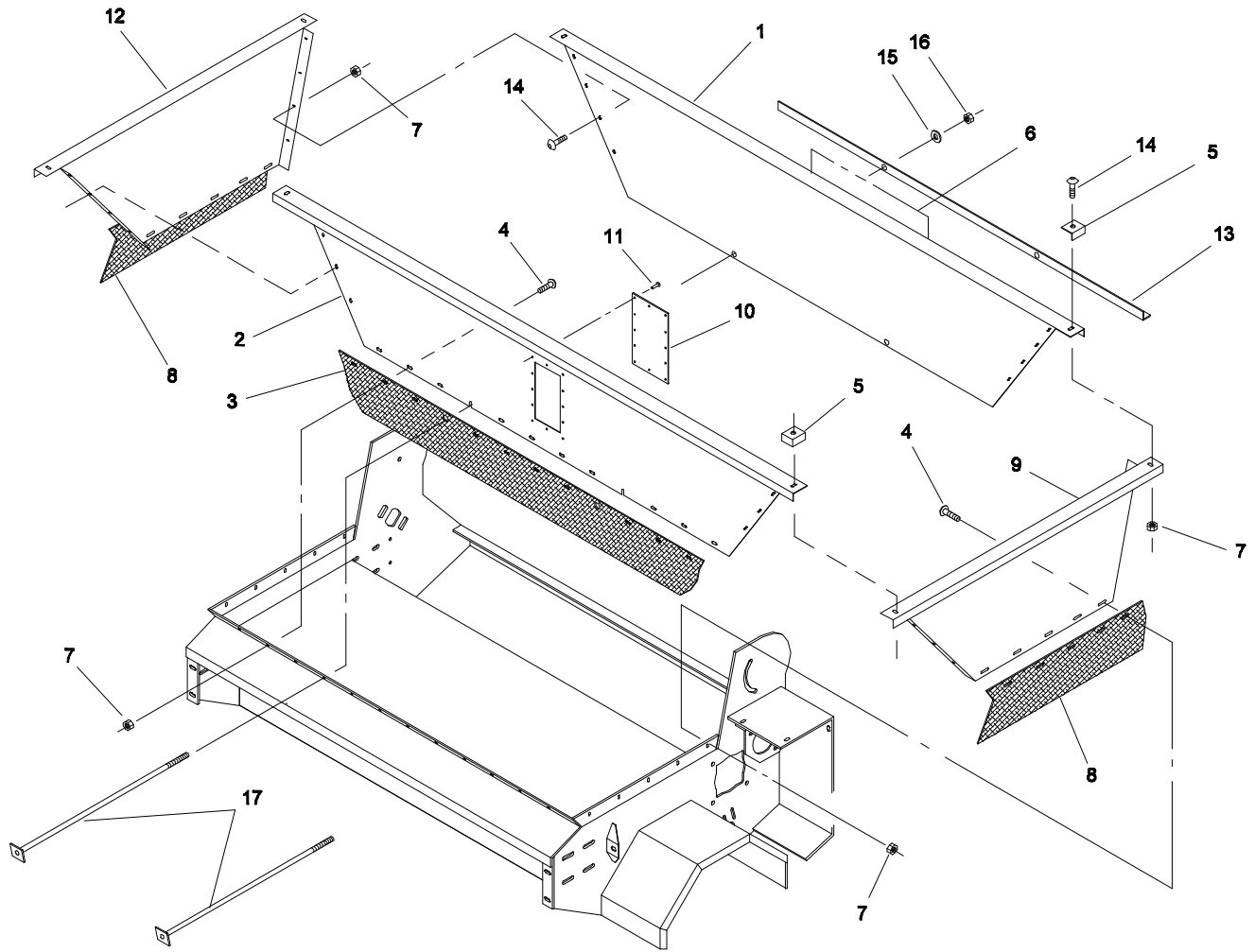
## HYDRAULIC MOTOR - 01-304-0980

HYDM0980

Ref. No.	Part No.	Description	No. Used
1		Shaft Seal	1
2		Body Seal	4
3		Commutator Seal	1
4		Teflon Backup Seal	1
5		O-Ring Seal	1
*	01-304-1000	Seal Kit (Incl. #1 - 5)	1
6	01-304-1010	Drive Link	1
7	01-304-1020	Rotor Set	1
8	01-304-1030	Bolt Set (4)	1
9	01-304-1040	Snap Ring	1
10	01-304-1050	Thrust Washer	3
11	01-304-1060	Thrust Bearing	1
12	01-304-1070	Needle Bearing	2
13		Housing	1

Ref. No.	Part No.	Description	No. Used
*	01-304-1080	Housing Bearing Kit (Incl. #10,12,13)	1
14	01-304-1090	Manifold	1
15	01-304-1100	Commutator Assembly	1
16	01-304-1110	Endcover Piston	1
17	01-304-1120	Piston Spring	1
18		Endcover	1
*	01-304-1130	Endcover Kit (Incl. #2,4,5,16,17,18)	1
19		I.D. Tag Assembly	1
20		Shaft	1
21		Shaft Key	1
*	01-304-1180	Shaft Kit (Incl. #20 - 21)	1

\* Not Illustrated

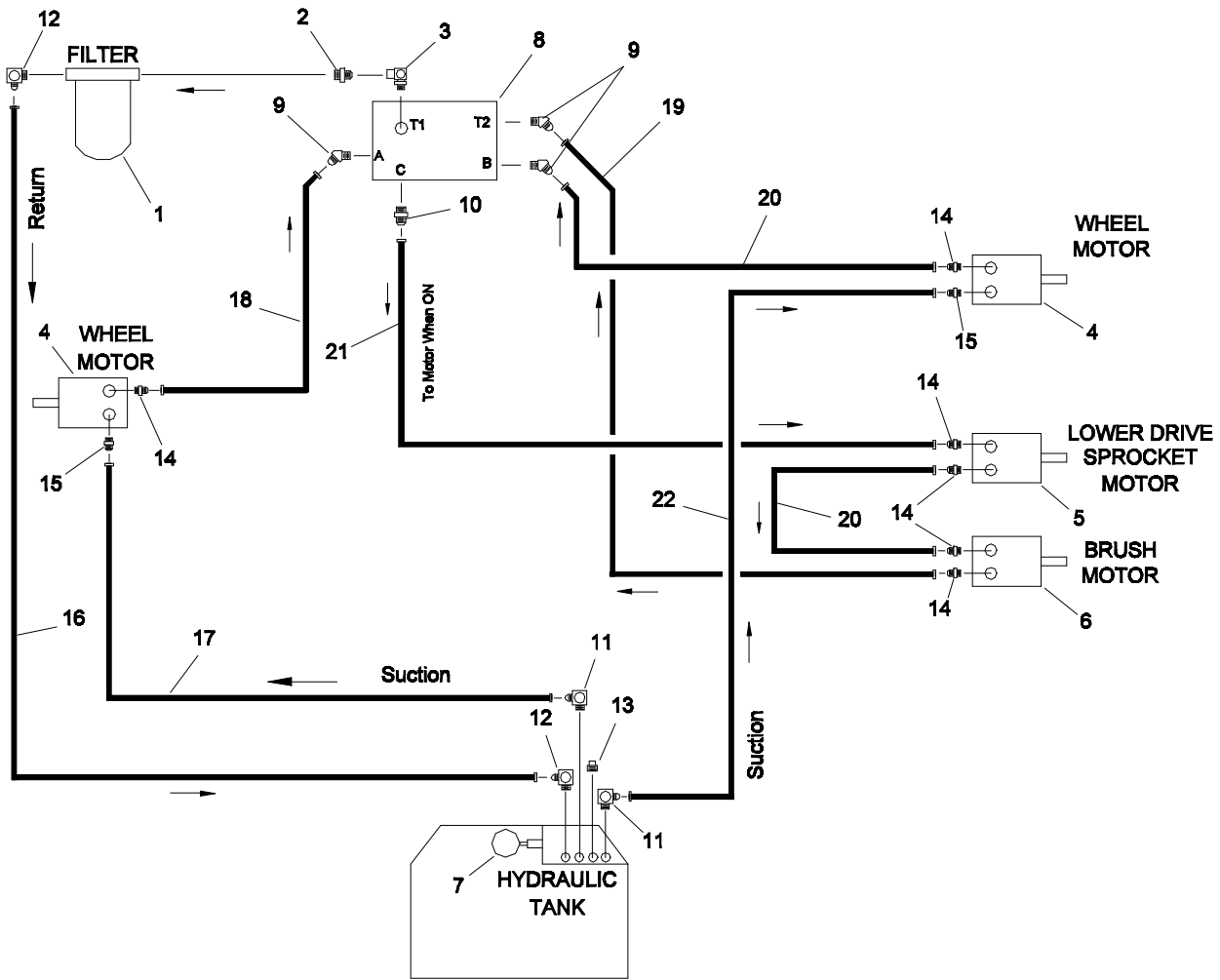


## HOPPER ASSEMBLY

23-008F

Ref. No.	Part No.	Description	No. Used
1	23-004-1001	Hopper Back	1
2	23-004-0541	Hopper Front	1
3	23-004-0801	Skirt-long	1
4	3229-2	Carriage Bolt	20
5	23-004-0971	Corner Guard	4
6	66-1210	Decal - Toro	1
7	32128-33	Nut - Whiz Lock Flg	40
8	23-004-0791	Skirt-short	2
9	23-004-0521	Hopper Side - L.H.	1

Ref. No.	Part No.	Description	No. Used
10	23-004-0981	Sight Glass	1
11	3269-3	Pop Rivet	14
12	23-004-0871	Hopper Side - R.H.	1
13	23-004-1031	Hopper Brace	1
14	3229-1	Carriage Bolt	20
15	3256-4	Flat Washer	2
16	3296-39	Nut - ESNA Lock	2
17	23-005-1101	Support Rod	2



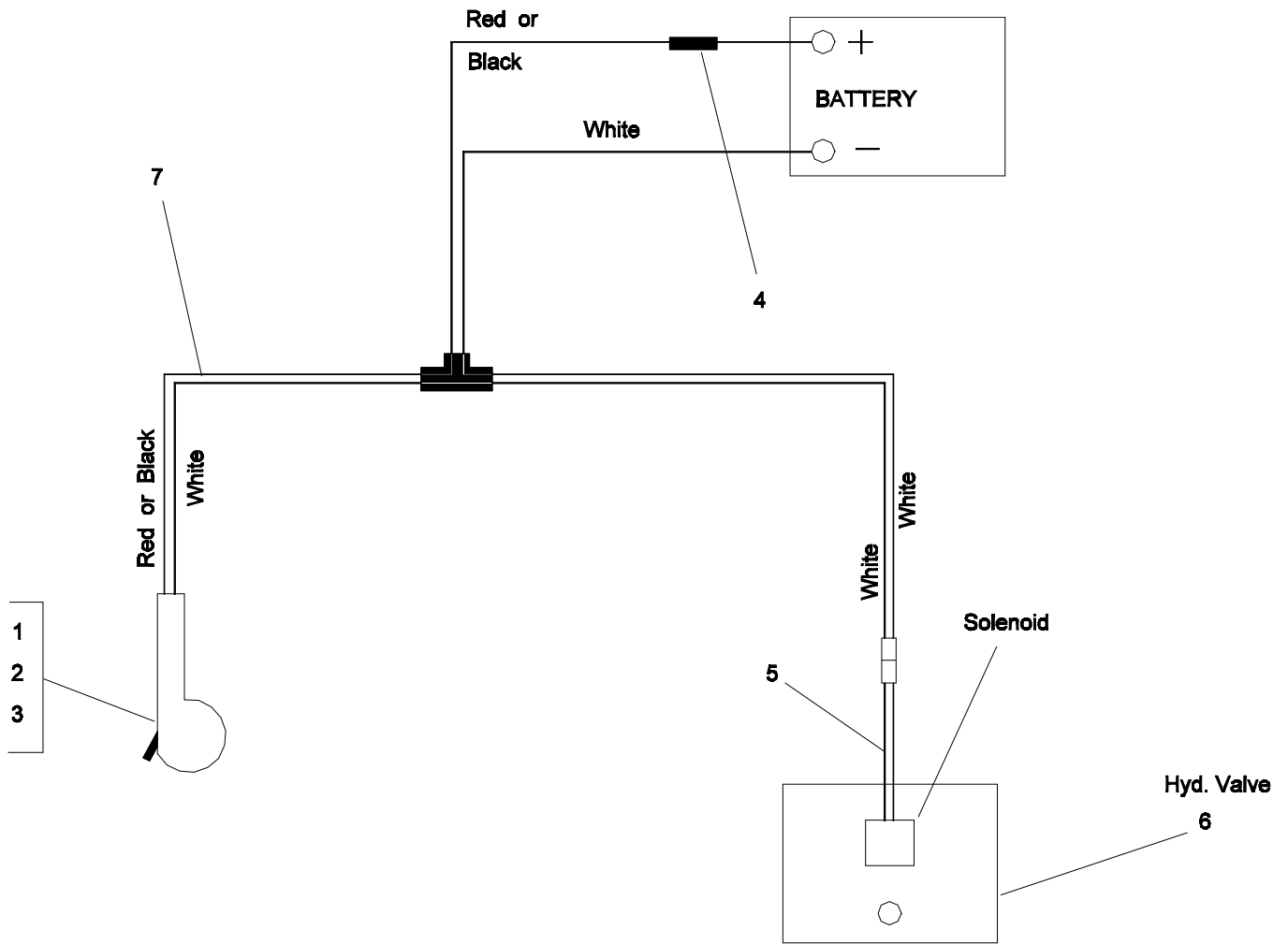
## HYDRAULIC SCHEMATIC

23-012

Ref. No.	Part No.	Description	No. Used
1	01-316-0210	Filter Assembly	1
*	01-315-0090	Filter Head	1
*	01-317-0240	Filter Element	1
2	01-201-1370	Fitting	1
3	01-201-4530	Fitting	1
4	01-304-0990	Hyd. Motor	2
*	01-304-1000	Seal Kit	1
5	01-304-1190	Hyd. Motor	1
*	01-304-1420	Seal Kit	1
*	01-304-1200	Seal Kit	1
6	01-304-0980	Hyd. Motor	1
*	01-304-1000	Seal Kit	1
7	01-303-0110	Gauge	1
8	01-308-1590	Hyd. Valve	1

Ref. No.	Part No.	Description	No. Used
9	01-201-4700	Fitting	3
10	01-201-0630	Fitting	1
11	01-201-2160	Fitting	2
12	01-201-1220	Fitting	2
13	01-451-0160	Pipe Plug	1
14	01-201-1350	Fitting	6
15	01-201-2130	Fitting	2
16	01-312-5470	Hyd. Hose	1
17	01-312-5450	Hyd. Hose	1
18	01-312-2220	Hyd. Hose	1
19	01-312-5490	Hyd. Hose	1
20	01-312-2250	Hyd. Hose	2
21	01-312-5500	Hyd. Hose	1
22	01-312-5480	Hyd. Hose	1

\* Not Illustrated

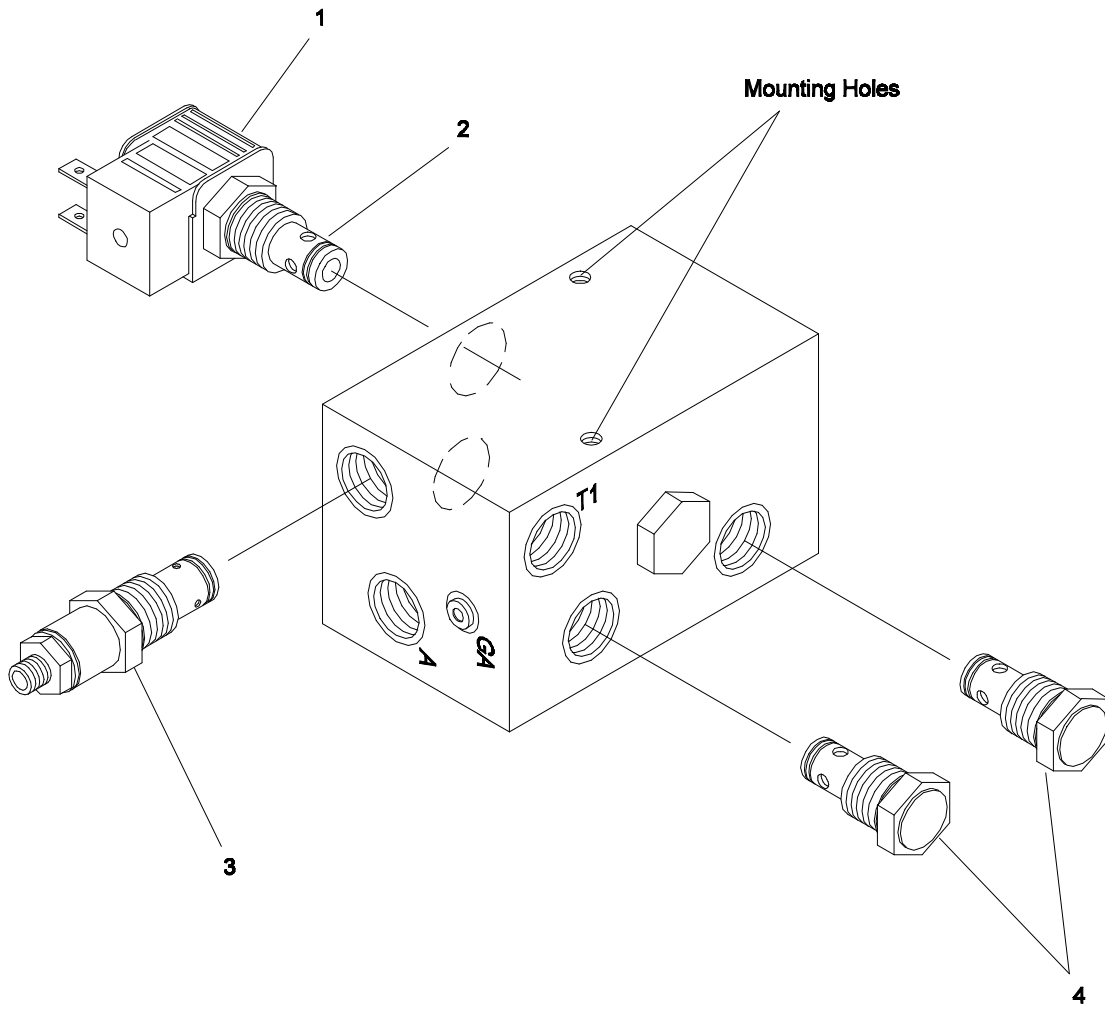


## ELECTRICAL SCHEMATIC

23-013

Ref. No.	Part No.	Description	No. Used
1	01-603-0750	Switch	1
2	01-603-0760	Boot	1
3	01-603-0770	Switch Box	1
4	01-612-0520	Fuse	1

Ref. No.	Part No.	Description	No. Used
5	01-606-0250	Wiring Harness, short half	1
6	01-308-1010	Hydraulic Valve	1
7	01-606-0220	Wiring Harness, complete (Includes Ref. #1,2,3,4,5)	1



## HYDRAULIC VALVE - NO. 01-308-1590

VLE-1590

Ref. No.	Part No.	Description	No. Used
1	01-308-1740	Solenoid Coil	1
2	01-308-1610	Solenoid Valve	1

Ref. No.	Part No.	Description	No. Used
3	01-308-1720	Relief Valve (1100psi)	1
4	01-308-1730	Check Valve	2

# PART NUMBER INDEX

Part No.	Description	Pg. No.	Ref. No.	Qty.	Part No.	Description	Pg. No.	Ref. No.	Qty.
01-100-0160	Bearing	9	3	1	01-304-1100	Commutator Assembly	10	15	1
01-100-0180	Bearing	6	8	4	01-304-1100	Commutator Assembly	3	15	1
01-158-2040	Lug Bolt	2	21	10	01-304-1110	Endcover Piston	10	16	1
01-168-1210	Machinery Bushing	2	17	14	01-304-1110	Endcover Piston	3	16	1
01-168-2010	Machinery Bushing	7	16	13	01-304-1120	Piston Spring	10	17	1
01-168-2014	Machinery Bushing	7	11	13	01-304-1120	Piston Spring	3	17	1
01-190-1210	Slotted Nut	2	9	2	01-304-1130	Endcover Kit	10	*	1
01-201-0630	Fitting	12	10	1	01-304-1130	Endcover Kit	3	*	1
01-201-1220	Fitting	12	12	2	01-304-1150	Drive Link	3	6	1
01-201-1350	Fitting	12	14	6	01-304-1160	Rotor Set	3	7	1
01-201-1370	Fitting	12	2	1	01-304-1170	Bolt Set	3	8	1
01-201-2130	Fitting	12	15	2	01-304-1180	Shaft Kit	10	*	1
01-201-2160	Fitting	12	11	2	01-304-1180	Shaft Kit	3	*	1
01-201-4530	Fitting	12	3	1	01-304-1190	Hyd. Motor	12	5	1
01-201-4700	Fitting	12	9	3	01-304-1190	Hydraulic Motor	7	1	1
01-215-0100	Grease Fitting	2	*	4	01-304-1200	Seal Kit	12	*	1
01-251-0020	Offset Link	7	*	1	01-304-1200	Seal Kit	7	*	1
01-256-0200	Knob	4	4	1	01-304-1200	Seal Kit	8	*	1
01-260-1790	Sheave	6	7	4	01-304-1210	Drive Link Spacer	8	24	1
01-261-0400	Spring	7	17	2	01-304-1240	Pack Nut	2	12	2
01-262-0960	Sprocket	7	8	1	01-304-1240	Pack Nut	3	22	1
01-262-1540	Sprocket	7	13	1	01-304-1420	Seal Kit	12	*	1
01-269-0060	Axle Spacer	2	1	8	01-304-1420	Seal Kit	7	*	1
01-269-0320	Tire	2	22	2	01-304-1420	Seal Kit	8	*	1
01-269-0350	Tire	2	6	4	01-304-1550	Manifold Boot	8	14	1
01-269-0360	Wheel	2	18	4	01-304-1560	Manifold (CCW)	8	13	1
01-269-1020	Wheel	2	20	2	01-304-1570	Balance Plate Kit	8	*	1
01-269-1530	Valve Stem	5	16	1	01-304-1580	Endcover	8	17	1
01-269-2540	Hub	2	15	2	01-308-1590	Hydraulic Valve	12	8	1
01-271-0360	Pin - Lacing	6	*	1	01-308-1590	Hydraulic Valve	13	6	1
01-286-0440	Brush	9	1	1	01-308-1590	Hydraulic Valve	5	11	1
01-303-0110	Gauge	12	7	1	01-308-1610	Solenoid Valve	14	2	1
01-304-0460	Shaft Kit	8	*	1	01-308-1720	Relief Valve	14	3	1
01-304-0660	Thrust Bearing	8	12	2	01-308-1730	Check Valve	14	4	2
01-304-0910	Housing Kit	8	*	1	01-308-1740	Solenoid Coil	14	1	1
01-304-0920	Drive Link	8	22	1	01-312-2220	Hyd. Hose	12	18	1
01-304-0930	Rotor Set	8	23	1	01-312-2250	Hyd. Hose	12	20	2
01-304-0940	Bolt Set	8	25	1	01-312-5450	Hyd. Hose	12	17	1
01-304-0980	Hyd. Motor	12	6	1	01-312-5470	Hyd. Hose	12	16	1
01-304-0980	Hydraulic Motor	9	11	1	01-312-5480	Hyd. Hose	12	22	1
01-304-0990	Hyd. Motor	12	4	2	01-312-5490	Hyd. Hose	12	19	1
01-304-0990	Hydraulic Motor	2	14	2	01-312-5500	Hyd. Hose	12	21	1
01-304-1000	Seal Kit	10	*	1	01-315-0090	Filter Head	12	*	1
01-304-1000	Seal Kit	12	*	1	01-316-0210	Filter Assembly	12	1	1
01-304-1000	Seal Kit	2	*	1	01-317-0240	Filter Element	12	*	1
01-304-1000	Seal Kit	3	*	1	01-405-0460	Seal	2	2	8
01-304-1000	Seal Kit	9	*	1	01-451-0160	Pipe Plug	12	13	1
01-304-1010	Drive Link	10	6	1	01-506-0050	Decal - Danger	9	18	1
01-304-1020	Rotor Set	10	7	1	01-506-0210	Decal - Height Adj.	4	13	1
01-304-1030	Bolt Set	10	8	1	01-506-0240	Decal - Warning	1	8	2
01-304-1040	Snap Ring	10	9	1	01-506-0250	Decal - Danger	5	8	1
01-304-1040	Snap Ring	3	9	1	01-506-0690	Decal - Topdresser 2300	1	6	2
01-304-1050	Thrust Washer	10	10	3	01-603-0750	Switch	13	1	1
01-304-1050	Thrust Washer	3	10	3	01-603-0760	Boot	13	2	1
01-304-1060	Thrust Bearing	10	11	1	01-603-0770	Switch Box	13	3	1
01-304-1060	Thrust Bearing	3	11	1	01-606-0220	Wiring Harness	13	7	1
01-304-1070	Needle Bearing	10	12	2	01-606-0250	Wiring Harness	13	5	1
01-304-1070	Needle Bearing	3	12	2	01-612-0520	Fuse	13	4	1
01-304-1080	Housing Bearing Kit	10	*	1	02-201-2170	Cap	5	17	1
01-304-1080	Housing Bearing Kit	3	*	1	10-7070	Key	7	18	1
01-304-1090	Manifold	10	14	1	18-204-0461	Motor Spacer	7	2	1
01-304-1090	Manifold	3	14	1	23-002-0021	Pressure Cap Assembly	5	*	1

\* Not Illustrated

# PART NUMBER INDEX

Part No.	Description	Pg. No.	Ref. No.	Qty.	Part No.	Description	Pg. No.	Ref. No.	Qty.
23-004-0221	Gate Seal	4	9	1	325-10	Capscrew - Hex Hd.	2	3	8
23-004-0241	Axle Bracket	2	8	2	325-14	Capscrew - Hex Hd.	1	3	2
23-004-0271	Conveyor Top	6	2	1	325-14	Capscrew - Hex Hd.	9	12	2
23-004-0521	Hopper Side - L.H.	11	9	1	325-4	Capscrew - Hex Hd.	6	20	4
23-004-0541	Hopper Front	11	2	1	325-5	Capscrew - Hex Hd.	4	3	2
23-004-0581	Roller Cover	6	15	1	325-5	Capscrew - Hex Hd.	6	4	4
23-004-0721	Belt Roller Washer	6	21	8	325-6	Capscrew - Hex Hd.	6	12	4
23-004-0721	Plastic Washer	4	5	2	325-7	Capscrew - Hex Hd.	7	3	4
23-004-0741	Belt Tension Rod	7	15	2	325-8	Capscrew - Hex Hd.	6	19	8
23-004-0751	Sprocket Spacer	7	9	1	3253-4	Lock Washer	5	14	2
23-004-0791	Skirt-short	11	8	2	3253-4	Lock Washer	9	9	4
23-004-0801	Skirt-long	11	3	1	3253-7	Lock Washer	6	13	8
23-004-0821	Drive Chain	7	14	1	3256-2	Flat Washer	5	6	2
23-004-0831	Brush Shaft	9	2	1	3256-26	"SAE" Flat Washer	2	19	8
23-004-0851	Motor Bolt Spacer	9	14	2	3256-26	"SAE" Flat Washer	4	7	11
23-004-0871	Hopper Side - R.H.	11	12	1	3256-26	"SAE" Flat Washer	6	14	8
23-004-0931	Rubber Seal	9	5	1	3256-26	"SAE" Flat Washer	9	13	2
23-004-0971	Corner Guard	11	5	4	3256-3	Flat Washer	5	13	2
23-004-0981	Sight Glass	11	10	1	3256-3	Flat Washer	9	10	4
23-004-1001	Hopper Back	11	1	1	3256-4	Flat Washer	11	15	2
23-004-1021	Gate Rod	4	17	2	3256-4	Flat Washer	2	16	2
23-004-1031	Hopper Brace	11	13	1	3256-4	Flat Washer	5	5	4
23-004-1041	Slide	4	11	2	3256-6	Flat Washer	1	4	4
23-004-1061	Adjustment Lug-long	4	15	1	3256-6	Flat Washer	4	14	5
23-004-1091	Key	7	10	1	3256-6	Flat Washer	7	4	8
23-005-0103	Main Frame	1	1	1	3256-7	Flat Washer	7	5	1
23-005-0111	Idler Roller	6	6	1	3269-20	Pop Rivet	4	10	26
23-005-0121	Drive Roller	6	1	1	3269-3	Pop Rivet	11	11	14
23-005-0131	Guard	9	15	1	3272-11	Cotter Pin	4	18	2
23-005-0141	Gate Control Arm	4	1	1	3272-15	Cotter Pin	2	10	2
23-005-0151	Axle	2	7	2	3272-25	Cotter Pin	7	12	1
23-005-0161	Hitch	1	2	1	3290-357	Nut - Whiz Lock Flg	5	4	4
23-005-0171	Hydraulic Tank	5	1	1	3296-2	Nut - ESNA Lock	6	5	12
23-005-0951	Bearing Pull	6	11	2	3296-23	Nut - ESNA Lock	1	5	2
23-005-1101	Support Rod	11	17	2	3296-23	Nut - ESNA Lock	2	5	8
23-005-1111	Gate	4	8	1	3296-23	Nut - ESNA Lock	4	16	4
2412-133	R-Clamp	5	18	2	3296-23	Nut - ESNA Lock	6	17	12
2412-74	R-Clamp	5	10	1	3296-23	Nut - ESNA Lock	7	6	4
254-78	Bearing Cone	2	4	8	3296-29	Nut - ESNA Lock	5	15	1
321-6	Capscrew - Hex Hd.	5	20	2	3296-39	Nut - ESNA Lock	11	16	2
32122-28	Truss Head Machine Screw	6	3	12	3296-39	Nut - ESNA Lock	2	13	2
32128-33	Nut - Whiz Lock Flg	11	7	40	3296-39	Nut - ESNA Lock Flg	9	6	2
32128-49	Nut - Whiz Lock Flg	9	7	2	3296-42	Nut - ESNA Lock	5	3	2
32153-5	Nut - Side Lock	4	6	1	3296-45	Nut - ESNA Lock	6	16	8
3217-7	Hex Nut	6	10	2	3334-945	Cable Tie	5	21	4
3217-9	Hex Nut	7	7	8	5-7280	Key	9	17	1
3218-5	Jam Nut	4	2	4	56-104-0301	Adjustment Lug-short	4	12	3
322-3	Capscrew - Hex Hd.	9	8	4	62-7400	Decal - Toro	5	9	1
322-5	Capscrew - Hex Hd.	5	12	3	66-1210	Decal - Toro	11	6	1
3229-1	Carriage Bolt	11	14	20	67-1900	Capscrew - Hex Hd.	6	18	2
3229-2	Carriage Bolt	11	4	20	74-0720	Manual Tube	5	19	1
323-6	Capscrew - Hex Hd.	2	11	2	75-5190	Decal - No Riders	1	7	2
323-6	Capscrew - Hex Hd.	5	2	4	75-5190	Decal - No Riders	5	7	1
3231-25	Carriage Bolt	9	4	2	98-8896	Conveyor Belt	6	9	1
3245-20	Set Screw	9	16	3					

\* Not Illustrated

## PRODUCT CHANGES

In an effort to make improvements available to TORO owners as quickly as possible minor changes are incorporated into Toro's products from time to time that do not become immediately shown in the Parts Catalog. If such a change has been made in your unit which is not reflected in your manual see your TORO Distributor or an Authorized Service Dealer for information and part numbers.

## IDENTIFICATION & ORDERING

### MODEL AND NUMBERS

The Topdresser 2300 has two identification numbers; a model number and a serial number. The two numbers are stamped on a plate which is located on the main frame. In any correspondence concerning the Topdresser 2300, supply model and serial numbers to assure that correct information and replacement parts are obtained.

To order replacement parts from your TORO Distributor or an Authorized Service Dealer, supply the following information:

1. Model and serial number of the unit.
2. Part number description and the quantity of part (s) desired.

**NOTE:** Do not order by reference number if a parts catalog is being used: use the PART NUMBER.

## TABLE OF CONTENTS

Description	Page	Description	Page
Tongue Assembly . . . . .	1	Brush Assembly . . . . .	9
Wheel Assembly . . . . .	2	Hydraulic Motor - No. 01-304-0980 . . . . .	10
Hydraulic Motor - No. 01-304-0990 . . . . .	3	Hopper Assembly . . . . .	11
Gate Control Assembly . . . . .	4	Hydraulic Schematic . . . . .	12
Hydraulic Tank Assembly . . . . .	5	Electrical Schematic . . . . .	13
Roller Assembly . . . . .	6	Hydraulic Valve - No. 01-308-1590 . . . . .	14
Belt Drive and Tension . . . . .	7	Hydraulic Valve - No. 01-308-1600 . . . . .	15
Hydraulic Motor - No. 01-304-1190 . . . . .	8	Part Number Index . . . . .	16 - 18

# NOTES

# NOTES

