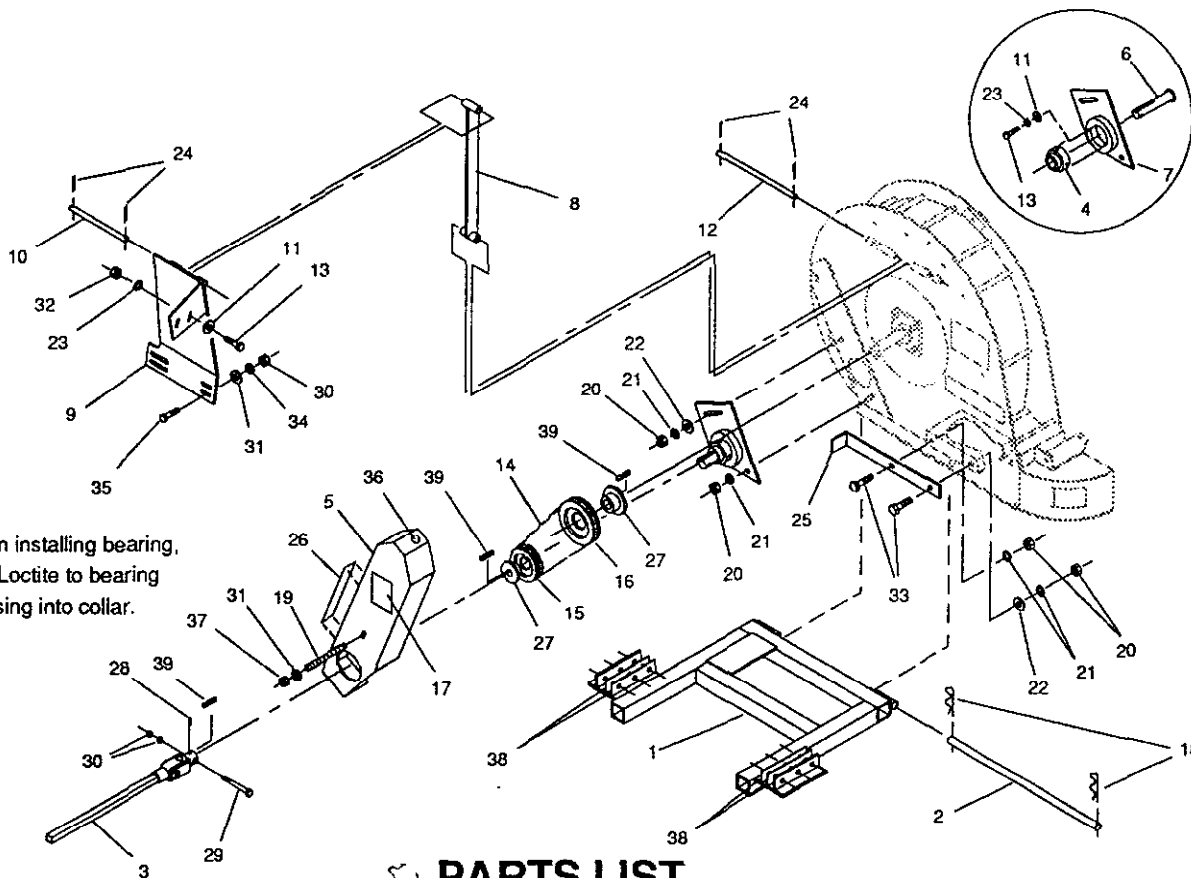




MODEL NO. 44533

PARTS LIST & ASSEMBLY INSTRUCTIONS

67 BLOWER MOUNTING KIT
for 220D SERIES GROUNDMASTER®



Note: When installing bearing, apply #609 Loctite to bearing before pressing into collar.

PARTS LIST

67-005

Ref. No.	Part No.	Description	No. Used
1	67-005-2572	Mounting Frame	1
2	67-004-1161	Lower Mounting Pin	1
3	01-282-0600	PTO Assembly	1
4	01-100-0340	Bearing (see note)	1
5	67-005-0241	Belt Guard	1
6	67-005-2151	Pulley Shaft	1
7	67-005-0251	Bearing Mount	1
*	67-002-0051	Bearing Mount Assembly (Incl. Ref. #4,6,7,11,13,23)	1
8	67-005-2411	Support Arm	1
9	67-005-2421	Support Bracket	1
10	67-004-2301	Support Pin	1
11	3256-2	Flat Washer	3
12	67-004-0401	Upper Support Hinge Rod	1
13	321-4	Capscrew - Hex Hd.	3
14	01-264-0350	Belt	1
15	01-260-0060	Sheave	1
16	01-260-0150	Sheave	1
17	01-506-0040	Decal - Danger	1
18	01-159-0010	Presto Pin	2
19	01-650-0110	All Thread	1

Ref. No.	Part No.	Description	No. Used
20	3217-9	Hex Nut	4
21	3253-7	Lock Washer	4
22	3256-6	Flat Washer	2
23	3253-3	Lock Washer	3
24	3272-11	Cotter Pin	4
25	67-004-2261	Stop Bracket	1
26	01-506-0130	Decal - Danger	1
27	01-260-0240	Bushing	2
28	01-163-0030	Socket Head Set Screw	1
29	323-13	Capscrew - Hex Hd.	1
30	3217-7	Hex Nut	7
31	3256-4	Flat Washer	5
32	3217-5	Hex Nut	2
33	325-6	Capscrew - Hex Hd.	2
34	3253-5	Lock Washer	4
35	323-8	Capscrew - Hex Hd.	4
36	01-506-0550	Decal - Grease	1
37	3296-39	Lock Nut	1
38	67-004-2341	Mounting Shim	4
39	82-004-1171	Key	3

ASSEMBLY INSTRUCTIONS

67 BLOWER MOUNTING KIT

1. Mount the bearing mount assembly (A) to the rear housing as shown in Fig. 1. Fasten the bottom bolt with a 1/2" lock washer and nut. Tighten but leave nut loose enough to pivot. Fasten the top bolt with a flat washer, lock washer and a nut. Leave nut loose.

2. Attach the smaller sheave (3.65") to the pulley shaft using a 1-1/4" bushing.

3. Attach the larger sheave (5") to the fan shaft using a 1-1/4" bushing. Line up the fan sheave with the pulley shaft using a straight edge.

4. Slide the belt onto the sheaves.

5. Pivot the bearing mount assembly (A) on the bottom slot until proper tension is achieved. The

belt has a 3/16" deflection with 5 lbs. of force when properly adjusted. Tighten both 1/2" nuts on the bearing mount.

6. Attach the 3/8" x 5" all thread to the nut on the housing.

7. Mount the belt guard as shown in Fig. 1. Fasten securely.

8. Connect the PTO to the pulley shaft using a 3/8" x 2-3/4" capscrew.

9. Install the mounting frame to the lower tube on the blower using the lower mounting pin to attach. Secure on both ends with the presto pins.

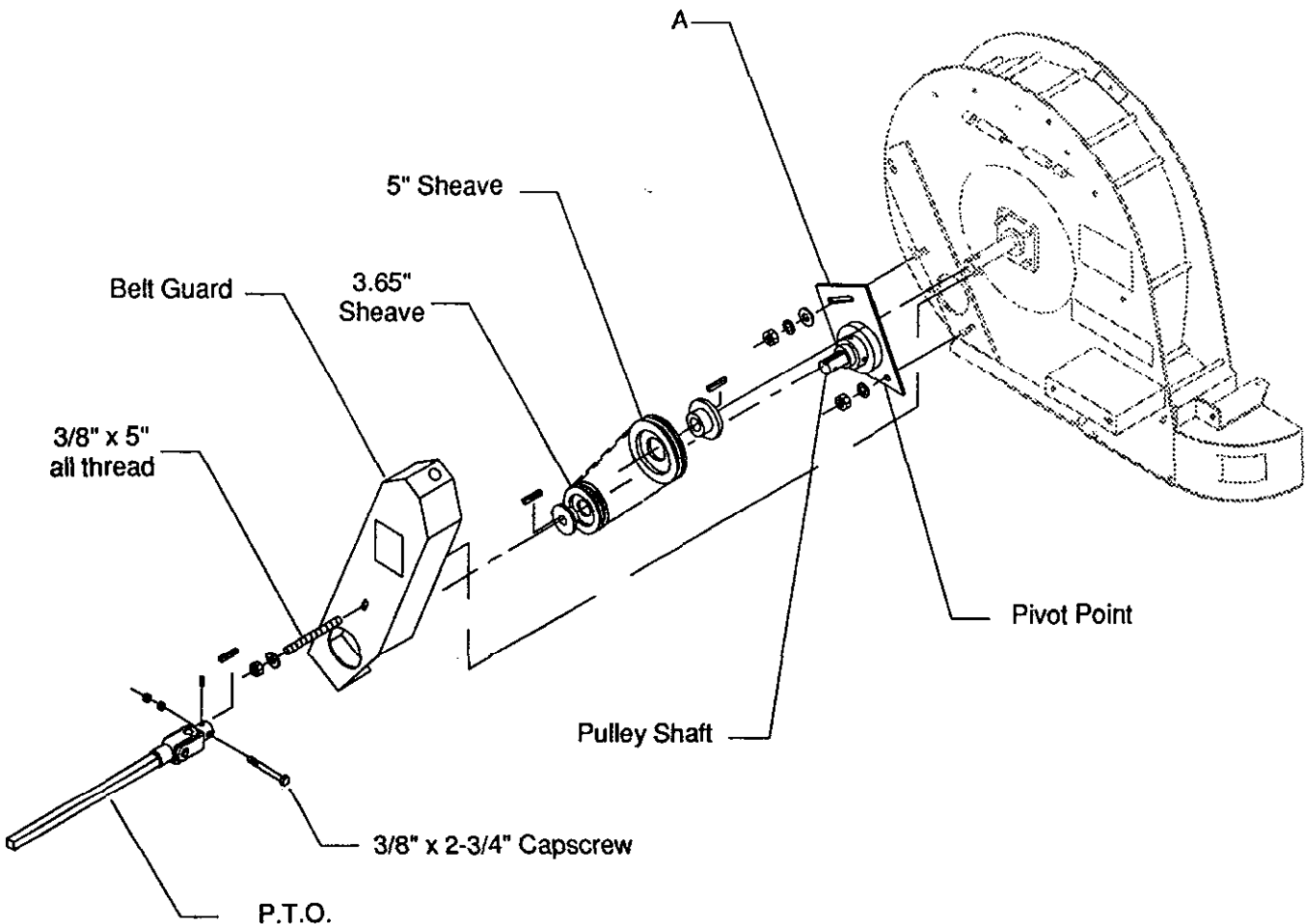


Figure 1