



# 315–8 Garden Tractor

## Wheel Horse® Classic Garden Tractor

Model No. 73450 – 220000001 & Up

## Parts Catalog

### Ordering Replacement Parts

To order replacement parts, please supply: the part number, the quantity, and the description of each part desired.

### Understanding Reference Numbers

Each identified part in an illustration has a reference number. The reference number for a part also appears in the parts list, along with other information about the part.

This catalog uses two special reference number formats, one to indicate parts in a service assembly and another to indicate the quantity of a given part in an illustration.

### Service Assembly Reference Numbers

Parts in service assemblies have reference numbers in the form **a:b**. The **a** represents the reference number of the entire service assembly and the **b** represents a sequential number unique to each part within the service assembly.

For example, a wheel assembly might be identified by reference number **6**, the tire by **6:1**, the valve by **6:2**, and the wheel by **6:3**. When you order the assembly identified by reference number **6**, you receive all parts identified by reference numbers **6:1**, **6:2**, and **6:3**. However, you may also order any part individually.

Reference numbers of this type appear in illustrations and in part lists.

### Reference Numbers Indicating Quantity

In an illustration, if a reference number indicates more than one part, the reference number has the form **nX y**. The **n** represents the quantity of the part, the **X** is the multiplication symbol, and the **y** represents the reference number.

For example, in an illustration, the reference number **2X 37** means that two of the parts identified by reference number **37** are indicated.

## Contents

Description	Page	Description	Page
Hood Assembly	3	Transaxle Assembly	14
Frame, Axle, and Steering Assembly	4	Wheel Assembly	15
Hoodstand and Console Assembly	5	Hitch Assembly	16
Footrest and Hoodstand Side Cover Assembly	6	Battery Assembly	17
Gauge, Warning Light and Control Assembly	7	Fuel Tank Assembly	18
Manual Lift Assembly	8	Hoodstand Electrical Mounting Assembly	19
Clutch Assembly	9	Transmission Case Assembly	20
Brake Assembly	10	Transmission Gear Assembly	21
Fender, Seat, Tail Light and Reflector Assembly	11	Wire Routing Diagram	22
Electric Clutch and Cover Assembly	12	Wiring Schematic	23
Engine Assembly	13	Engine Assembly Kohler Model CH15S-44533	24-35

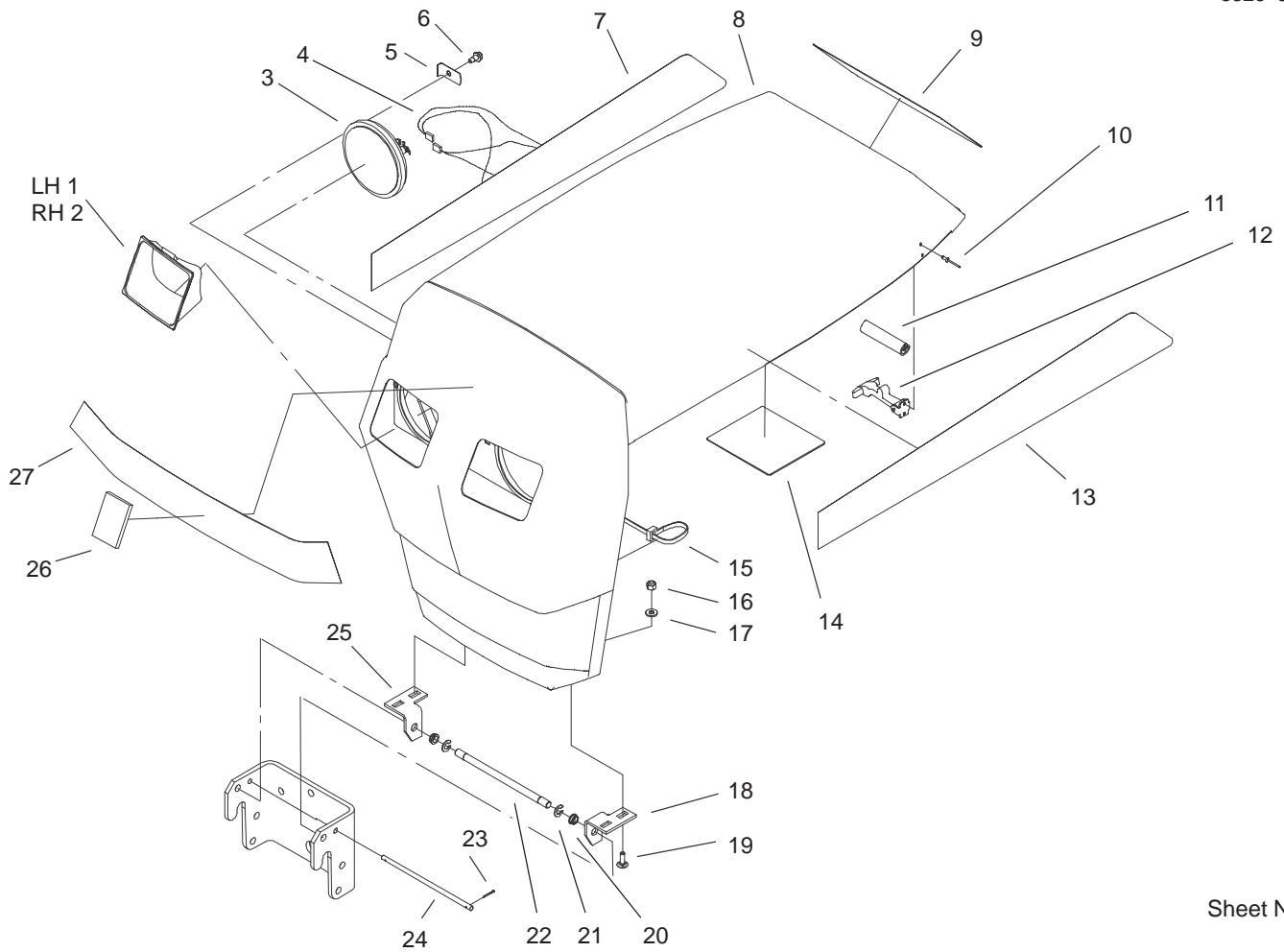
## Accessories

Description	Model / Part No.	Description	Model / Part No.
36" Rear Discharge Mower	Model No. 78305	(42" & 48" SD Mower)	Model No. 79301
42" Side Discharge Mower	Model No. 78345	Snow Cab	Model No. 79978
48" Side Discharge Mower	Model No. 78365	Rear Wheel Weights	Model No. 81115
42" Rear Discharge Mower	Model No. 78350	Rear (Flush) Wheel Weights	Model No. 81117
42" Recycler Mower	Model No. 78355	Front Wheel Weights	Model No. 81214
48" Recycler Mower	Model No. 78365	Tire Chains	Model No. 82522
36" Tiller	Model No. 79370	Clevis Hitch	Model No. 85518
48" Dozer Blade	Model No. 79364	Recycler Kit (42" RD Mower)	Model No. 86001
50" Grader Blade	Model No. 79351	Recycler Kit (48" SD Mower)	Model No. 79195
42" Single Stage Snowthrowers	Model No. 79362	Leaf Baffle Kit (42" SD Mower)	Model No. 85501
44" Two Stage Snowthrowers	Model No. 79363		
Blower Vacuum			

## Part Description Abbreviations

Part descriptions in this catalog may include the following abbreviations.

Abbreviation	Meaning	Abbreviation	Meaning
AR	as required	HYD	hydraulic
ASM	assembly	INC	incorporated
CARR	carriage	LH	left hand
DEG	degrees	NI	nylon insert
FH	flat head	PPH	Phillips pan head
GA	gauge	PTH	Phillips truss head
HF	hex flange	PTO	power take off
HH	hex head	RH	right hand
HHF	hex head flange	SFH	slotted fillister head
HLH	hex lag head	SHH	slotted hex head
HJ	hex jam	SQH	square head
HOC	height-of-cut	SHWH	slotted hex washer head
HS	hex socket	SPH	slotted pan head
HSBH	hex socket button head	SRH	slotted round head
HSFH	hex socket flat head	STD	standard
HSH	hex socket head	TAP	self tapping
HWH	hex washer head	TTH	Torx truss head
HWHTF	hex washer head thread forming	WH	wing head

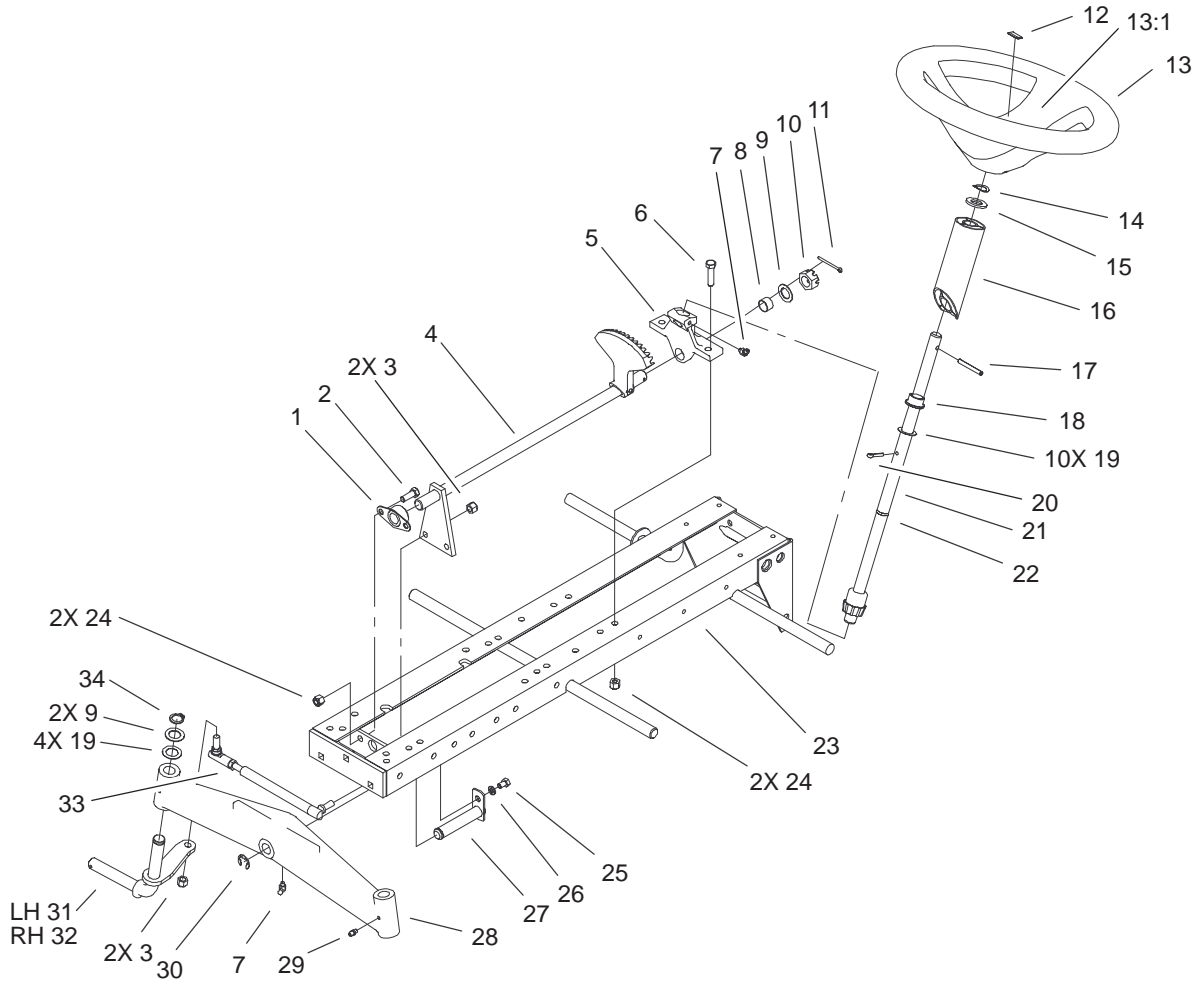


Sheet No.:2

### Hood Assembly

Ref. No.	Part No.	Qty.	Description
1	109495	1	Bezel-LH Headlight
2	109494	1	Bezel-RH Headlight
3	102881	2	Headlamp
4	95-7679	1	Harness - Headlight
5	109459	2	Lock-Headlight
6	9266714	2	Screw-HWH
7	92-9825	1	Decal - RH Hood Top
8	112358-01	1	Hood
9	98-0750	1	Decal - Danger Hood
10	117432	4	Rivet-Pop
11	111757	1	Edging-Console
12	117344	2	Handle ASM
13	92-9824	1	Decal - LH Hood Top
14	100-8713	1	Decal-Maintenance
15	3290-378	1	Tie-Cable
16	3296-42	4	Nut-Lock, NI
17	3256-22	4	Washer-Flat
18	116747	1	Bracket-Grill L.h
19	3229-25	4	Screw-CARR
20	5979	2	Bushing-Nyliner
21	105797	2	Ring-Retaining
22	116745	1	Rod-Grill Pivot
23	3272-1	2	Pin-Cotter
24	101850	1	Rod-Hood Stop
25	116746	1	Bracket-Grill R.h

Ref. No.	Part No.	Qty.	Description
26	94-3736	1	Logo - Horsehead
27	92-9826	1	Decal - Frt Hood Top

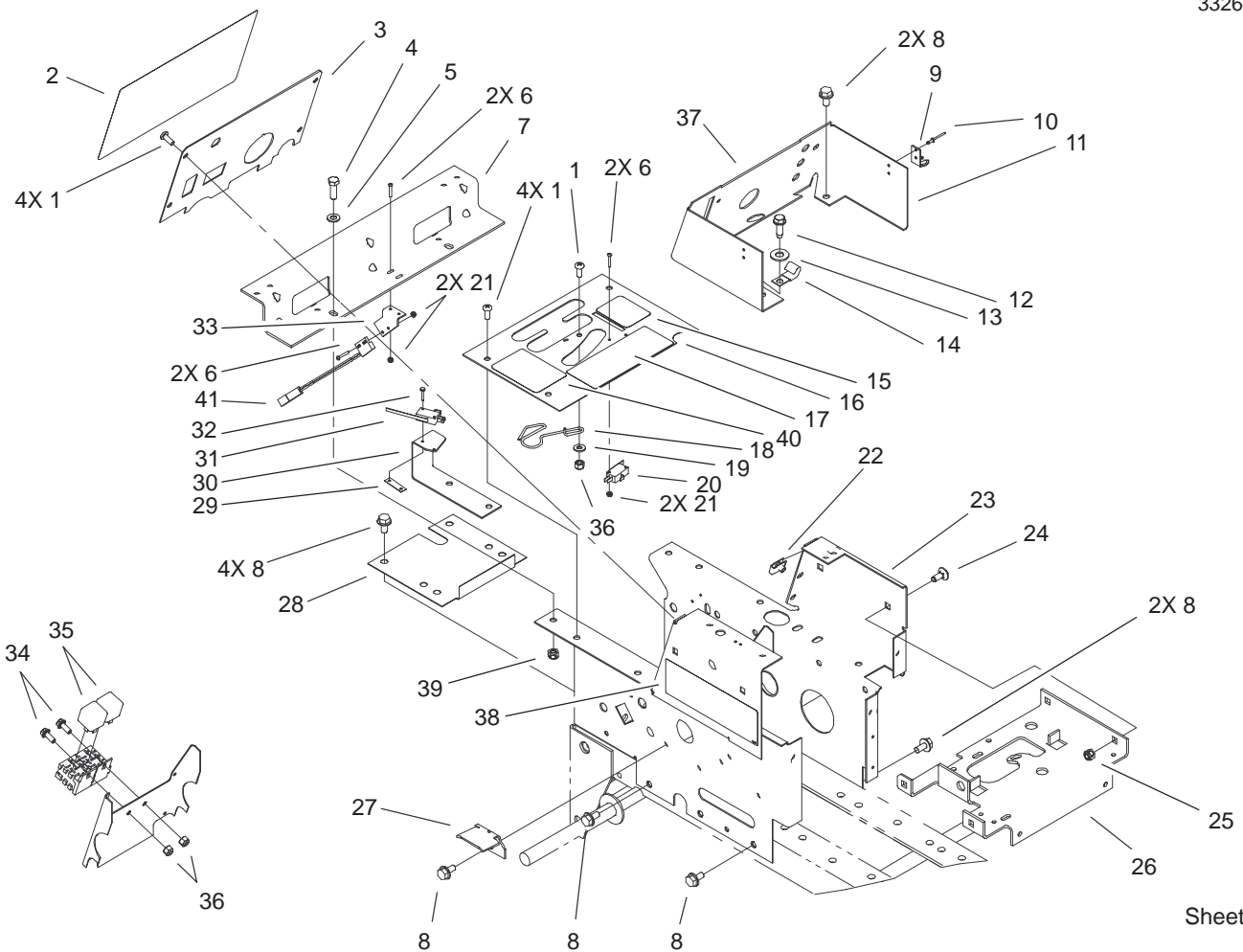


Sheet No.:3

## Frame, Axle, and Steering Assembly

Ref. No.	Part No.	Qty.	Description
1	6472	1	Bearing-Flanged
2	323-6	2	Screw-HH
3	3296-6	4	Nut-Lock, NI
4	78-2880-03	1	Lower Steering ASM
5	88-2710-03	1	Support-Lower Steering
6	323-8	2	Screw-HH
7	302-11	2	Fitting-Lube 45°
8	6397	1	Bearing-Bronze
9	1278	3	Washer
10	32136-5	1	Nut-Slotted
11	3272-19	1	Pin-Cotter
12	98-1459	1	Decal-Toro
13	98-1473	1	Wheel-Steering, 15 Inch Soft
13:1	98-1468	1	Cover-Wheel, Steering
14	7896	1	Washer-Bowed
15	109262	2	Washer-Wheel
16	113443	1	Tube-Steering
17	32121-111	1	Pin-Roll
18	109189	1	Bearing-Flanged
19	5210	14	Washer-Shim
20	3272-21	1	Pin-Cotter
21	92-4987	1	Steering Shaft ASM
22	237-69	1	O-Ring

Ref. No.	Part No.	Qty.	Description
23	94-6673-01	1	Frame ASM
24	3296-39	4	Nut-Lock, NI
25	322-1	1	Screw-HH
26	3253-4	1	Washer-Lock
27	6216	1	Pin And Plate ASM
28	5638-01	1	Axle-Front
28:1	5638	1	Axle-Front
29	302-5	2	Fitting-Grease
30	5618	1	E-Ring
31	113382-01	1	RH Spindle ASM
32	113381-01	1	LH Spindle ASM
33	78-2900-01	2	Tie Rod ASM
34	32120-93	2	Ring-Retaining



Sheet No.:4

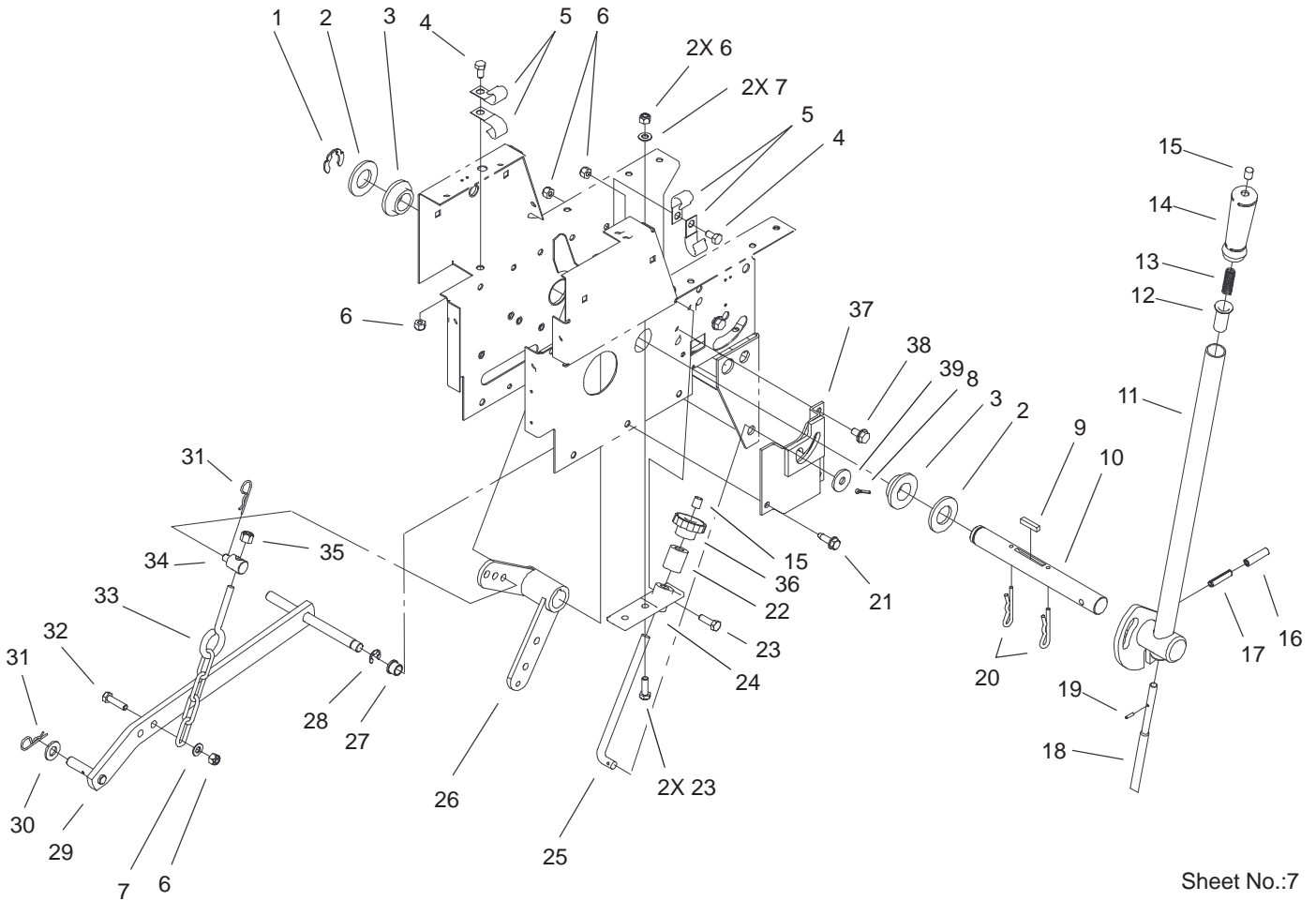
## Hoodstand and Console Assembly

Ref. No.	Part No.	Qty.	Description
1	9108372	9	Screw-Phc
2	104-4324	1	Decal-Dash, Lower
3	104-2470-03	1	Plate-Hoodstand, 15 HP
4	322-5	2	Screw-HH
5	3256-23	2	Washer-Flat
6	9109484	6	Screw-Pchr
7	95-7665-03	1	Bracket-Fender
8	32144-14	11	Screw-HWH
9	117343	2	Keeper-Latch
10	117432	4	Rivet-Pop
11	95-7670-03	1	Console
12	9266974	1	Screw-Thr'd Form
13	3256-4	1	Washer-Flat
14	111392	1	J-Clip
15	111510	1	Decal-Parking-Brake
16	99-8026-03	1	Plate-Shift
17	92-8946	1	Decal - Danger
18	99-8028	1	Spring-Shift Control
19	3256-22	1	Washer-Flat
20	111332	1	Switch
21	9157324	6	Nut-Hex
22	107069	4	Clip
23	95-7676-03	1	Hoodstand ASM
24	116000	4	Bolt-CARR
25	3296-29	4	Nut-Lock, NI

Ref. No.	Part No.	Qty.	Description
26	78-3010-03	1	Suport-Battery
27	88-2170-03	1	Bracket-Belt Support
28	106250-03	1	Cover-Dust
29	3290-354	1	Nut-Speed
30	99-8049-03	1	Bracket-Switch, Reverse
31	88-9931	1	Switch-Micro
32	147665	2	Screw-HH
33	95-7666	1	Brkt-Switch, Reed
34	3234-33	2	Screw-HHF
35	98-7249	2	Relay
36	3296-42	3	Nut-Lock, NI
37	99-5341	1	Decal-Console
38	105-1481	2	Decal-Model 315-8
39	3296-29	2	Nut-Lock, NI
40	111534	1	Decal-Shift Pattern
41	95-7669	1	Switch-Reed, Magnetic





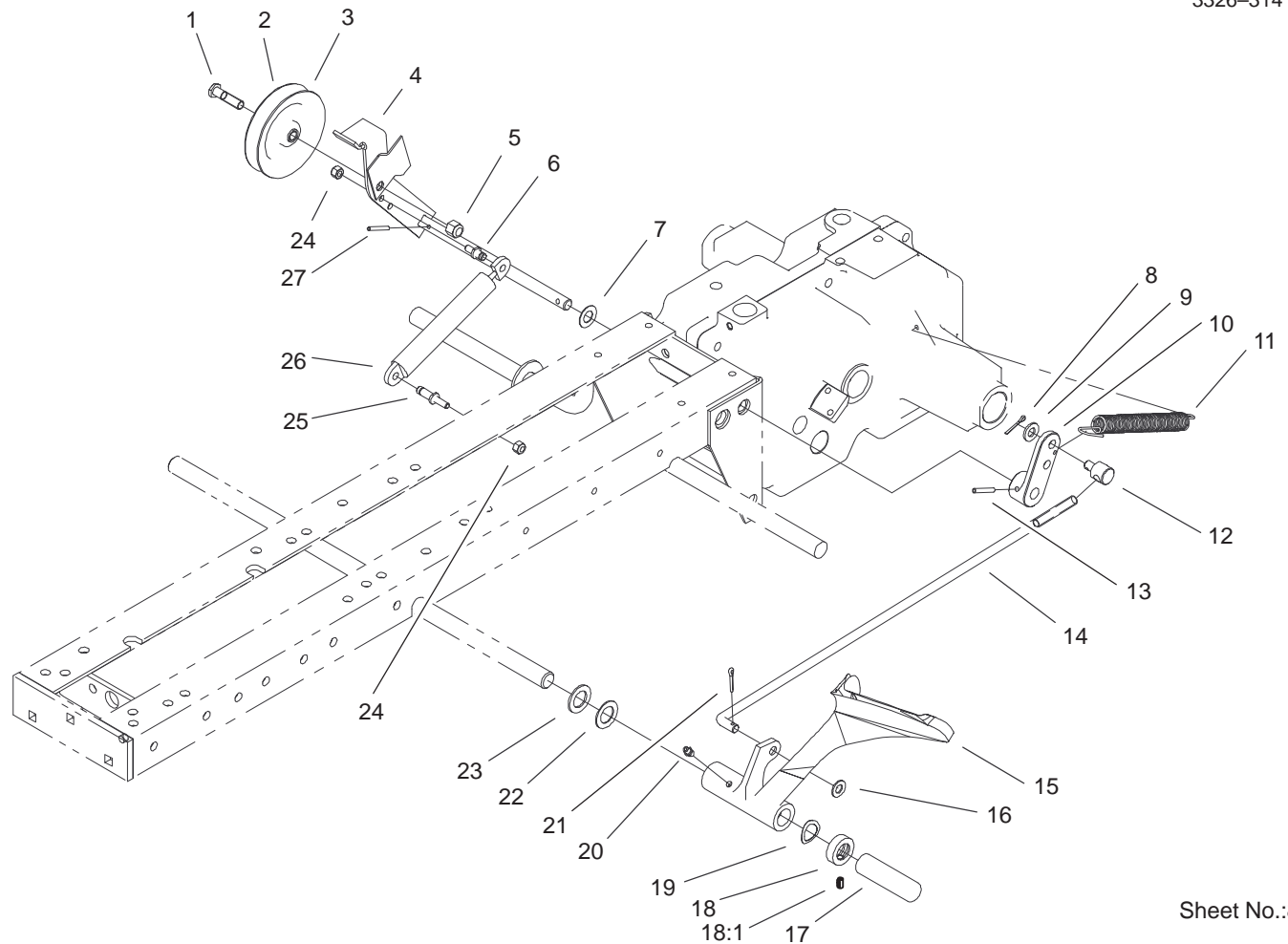


Sheet No.:7

## Manual Lift Assembly

Ref. No.	Part No.	Qty.	Description
1	32151-91	1	Ring-Retaining
2	3256-62	2	Washer-Flat
3	106269	2	Bearing-Flange
4	322-2	2	Screw-HH
5	8830	4	Clip
6	3296-29	6	Nut-Lock, NI
7	3256-23	3	Washer-Flat
8	3272-10	1	Pin-Cotter
9	1121	1	Key-Square
10	108565	1	Shaft-Lift Lever
11	108563-03	1	Lift Handle ASM
12	8130	1	Retainer-Spring
13	3624	1	Spring-Compression
14	92-6710	1	Grip - Handle
15	105316	2	Cap-Plunger Rod
16	32121-103	1	Pin-Spring
17	32121-25	1	Pin-Roll
18	106257	1	Rod-Latch Lift
19	933148	1	Pin-Spirol
20	9335074	2	Pin-Hair
21	9266964	2	Screw-Self TAP
22	106258-03	1	Slev-Lift Adjs
23	322-5	3	Screw-HH
24	106345-03	1	Casting-Lift Lever
25	110653	1	Rod-Height Control
26	78-1550	1	Lift Lever ASM

Ref. No.	Part No.	Qty.	Description
27	6229	1	Bearing
28	32120-47	1	Ring-Retaining
29	113445-03	1	Lift Bar ASM
30	3256-26	1	Washer-Flat
31	9335054	2	Pin-Hair
32	322-6	1	Screw-HH
33	106522	1	Chain-Lift
34	6739	1	Trunnion-Lift
35	3296-39	1	Nut-Lock, NI
36	5280	1	Knob-Lift Control
37	106411-03	1	Lift Lever ASM
38	32144-14	1	Screw-HWH
39	3256-5	1	Washer-Flat



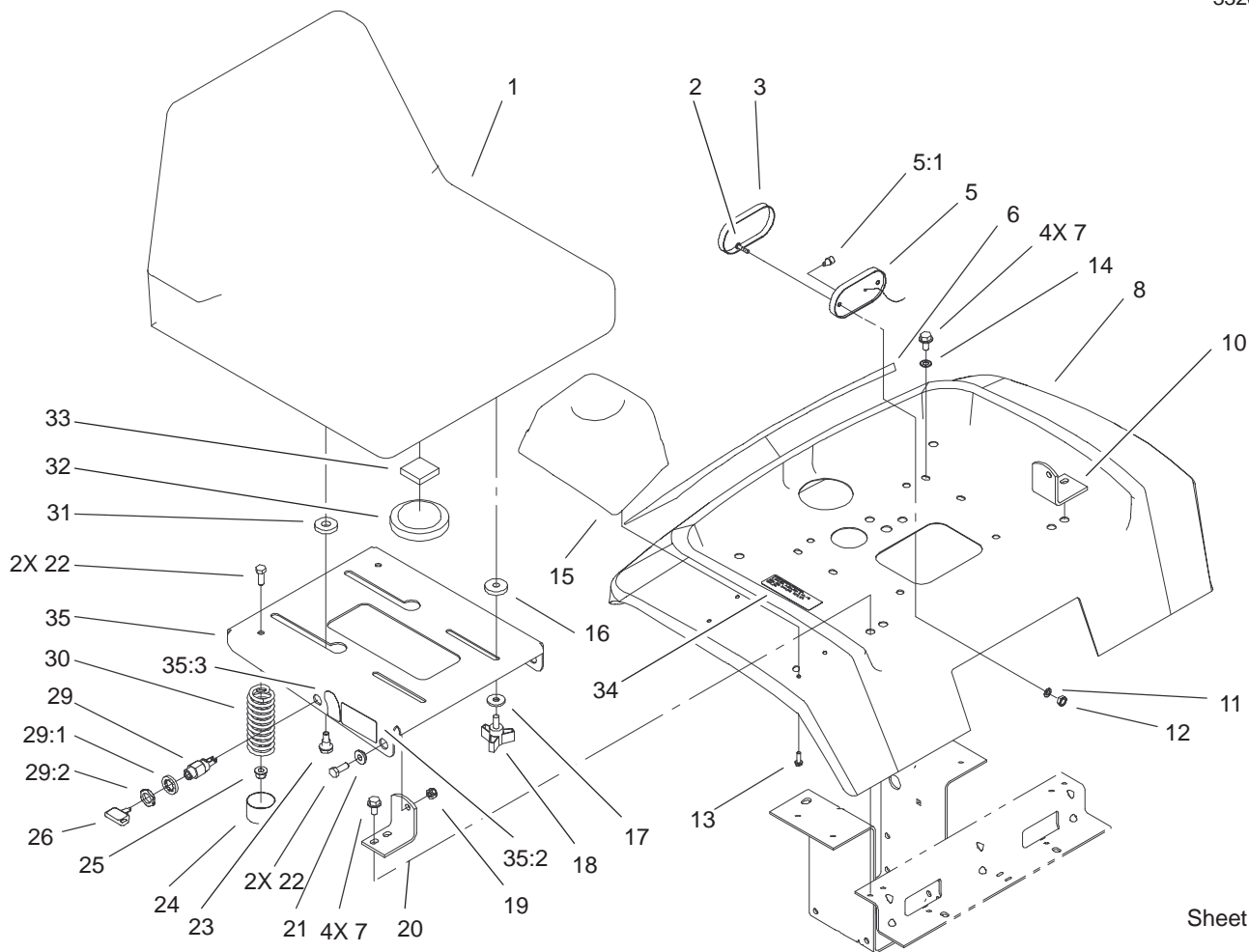
Sheet No.:8

## Clutch Assembly

Ref. No.	Part No.	Qty.	Description
1	106193	1	Bolt-Special Hex
2	93-9808	1	Belt - V
3	95-7668	1	Pulley - V, Idler
4	98-1746	1	Idlr Arm ASM
5	32146-2	1	Nut-Lock, NI
6	104-5093	1	Pin-Damper, Clutch Arm
7	3765	1	Shim-Washer
8	3272-6	1	Pin-Cotter
9	3256-24	1	Washer-Flat
10	105896-03	1	Arm-Clutch Rod
11	108035	1	Spring-Clutch
12	101161	1	Trunion
13	933190	1	Pin-Spirol
14	103347	1	Rod And Guide ASM
15	94-3703-01	1	Pedal-Brake, Clutch
16	920248	1	Washer-Nylon
17	94-6683	1	Sleeve - Protective
18	111383	1	Collar
18:1	3245-32	1	Screw-HS
19	7896	1	Washer-Bowed
20	302-5	1	Fitting-Grease
21	3272-10	1	Pin-Cotter
22	1278	1	Washer
23	9202254	1	Washer
24	3296-42	2	Nut-Lock, NI

Ref. No.	Part No.	Qty.	Description
25	104-5094	1	Pin-Damper, Classic Frame
26	100-8732	1	Damper-Gas
27	933267	1	Pin-Spirol





Sheet No.:10

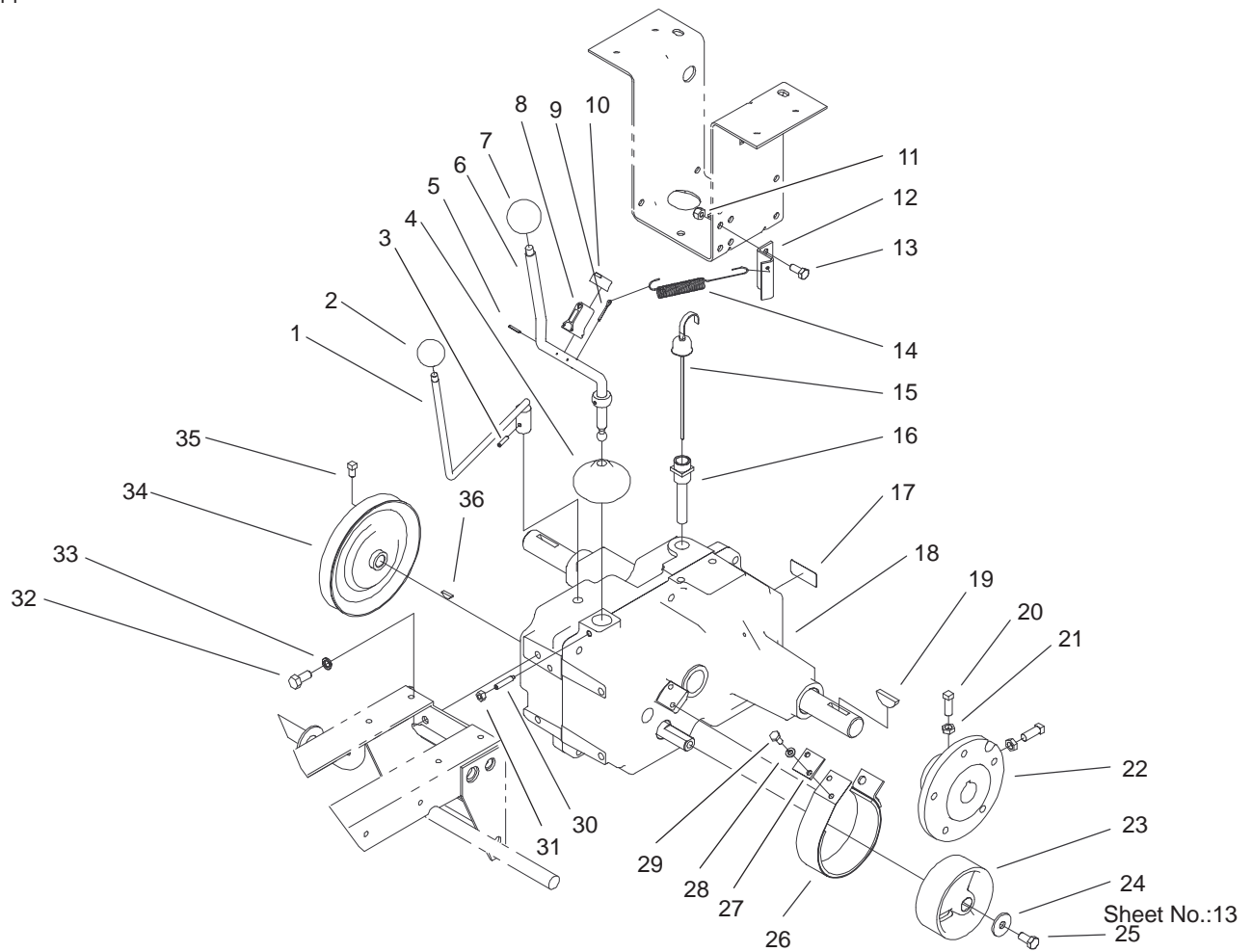
## Fender, Seat, Tail Light and Reflector Assembly

Ref. No.	Part No.	Qty.	Description
1	104-2463	1	Seat-High Back
2	3250-31	4	Screw-PPH
3	112564	2	Lens-Tail Light
5	105202	2	Base-Taillight
6	92-9827	1	Decal - Rear Fender
7	32144-14	8	Screw-HWH
8	104-5077-01	1	Fender
10	79-0970-03	1	Bracket-Pivot LH
11	3254-1	4	Washer-Lock, Internal
12	3296-27	4	Nut-Lock NI
13	32144-20	4	Screw-Thread Forming
14	3255-8	1	Washer-Lock/Ext
15	104-0838	1	Holder-Cup
16	109989	2	Spacer-Nylon
17	94-2869	2	Washer
18	700806	2	Knob
19	3296-29	2	Nut-Lock, NI
20	79-0950-03	1	Bracket-Pivot, RH
21	105503	2	Bushing
22	322-4	4	Screw-HH
23	92-6986	2	Bolt - Shoulder
24	701178	2	Cap-Protector
25	3296-58	2	Nut-Lock NI
26	62-7770	1	Key-Ignition
29	46-5780	1	Switch-Starter

Ref. No.	Part No.	Qty.	Description
29:1	3254-5	1	Washer-Lock, Internal
29:2	218-461	1	Nut-HH
30	92-7054	2	Spring - Compression
31	92-6750	2	Spacer - Nylon
32	100-3524	1	Switch-Seat
33	104-2488	1	Foam-Switch, Seat
35	104-5027	1	Support-Seat
35:2	99-2985	1	Decal-Danger
35:3	99-5339	1	Decal





Sheet No.:13  
25

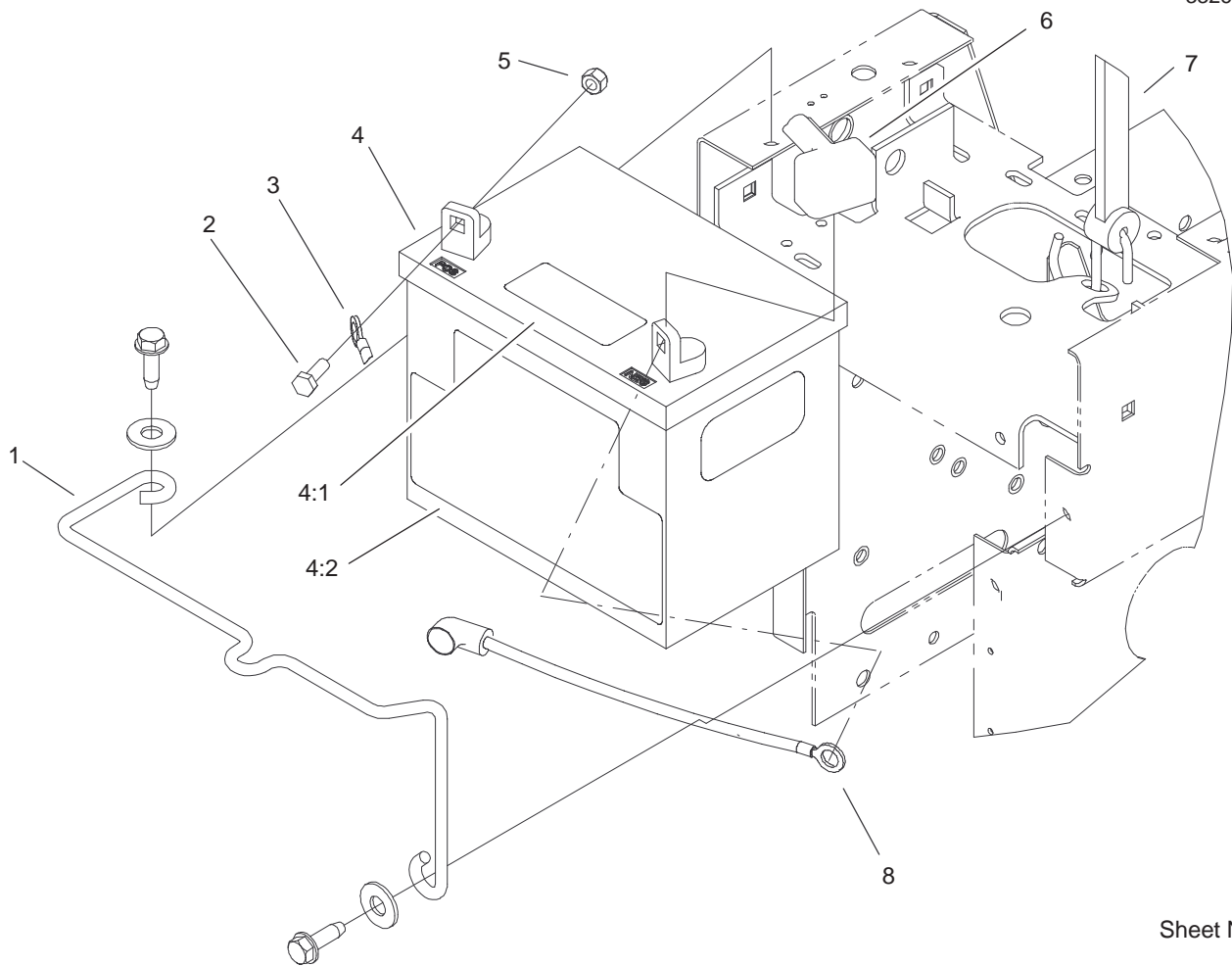
## Transaxle Assembly

Ref. No.	Part No.	Qty.	Description
1	110727	1	Shift Rod ASM
2	83-2710	1	Knob
3	933184	1	Pin-Spirol
4	3577	1	Cover-Dust
5	32121-97	2	Pin
6	95-7684	1	Shift Rod ASM
7	108758	1	Knob
8	95-7683	1	Magnet Clip ASM
9	3272-6	1	Pin-Cotter
10	98-1748	1	Shield - Magnet
11	3296-29	2	Nut-Lock, NI
12	99-8029-03	1	Bracket-Spring
13	322-3	2	Screw-HH
14	110769	1	Spring-Extension
15	101847-03	1	Dipstick
16	102703	1	Nipple-Trans
17	94-1834	1	Decal - Unidrive
18	94-6671	1	Transmission ASM
19	937108	2	Key-Woodruff
20	3243-5	4	Screw-Set
21	3218-3	4	Nut-Jam
22	105763-03	2	Hub-Wheel
23	106719	1	Drum-Brake
24	2844	1	Washer
25	110234	1	Screw-Hex Hd Cap
26	9593	1	Brake Band ASM

Ref. No.	Part No.	Qty.	Description
27	94-6696-03	1	Plate-Brake
28	3253-3	2	Washer-Lock
29	321-3	2	Screw-HH
30	1239	1	Screw-Set
31	3217-5	1	Nut-Hex
32	323-5	4	Screw-HH
33	3253-21	4	Washer-Lock
34	106165	1	Pulley-Trans
35	3242-2	1	Screw-SQH
36	937221	1	Key-Hi Pro







Sheet No.:16

## Battery Assembly

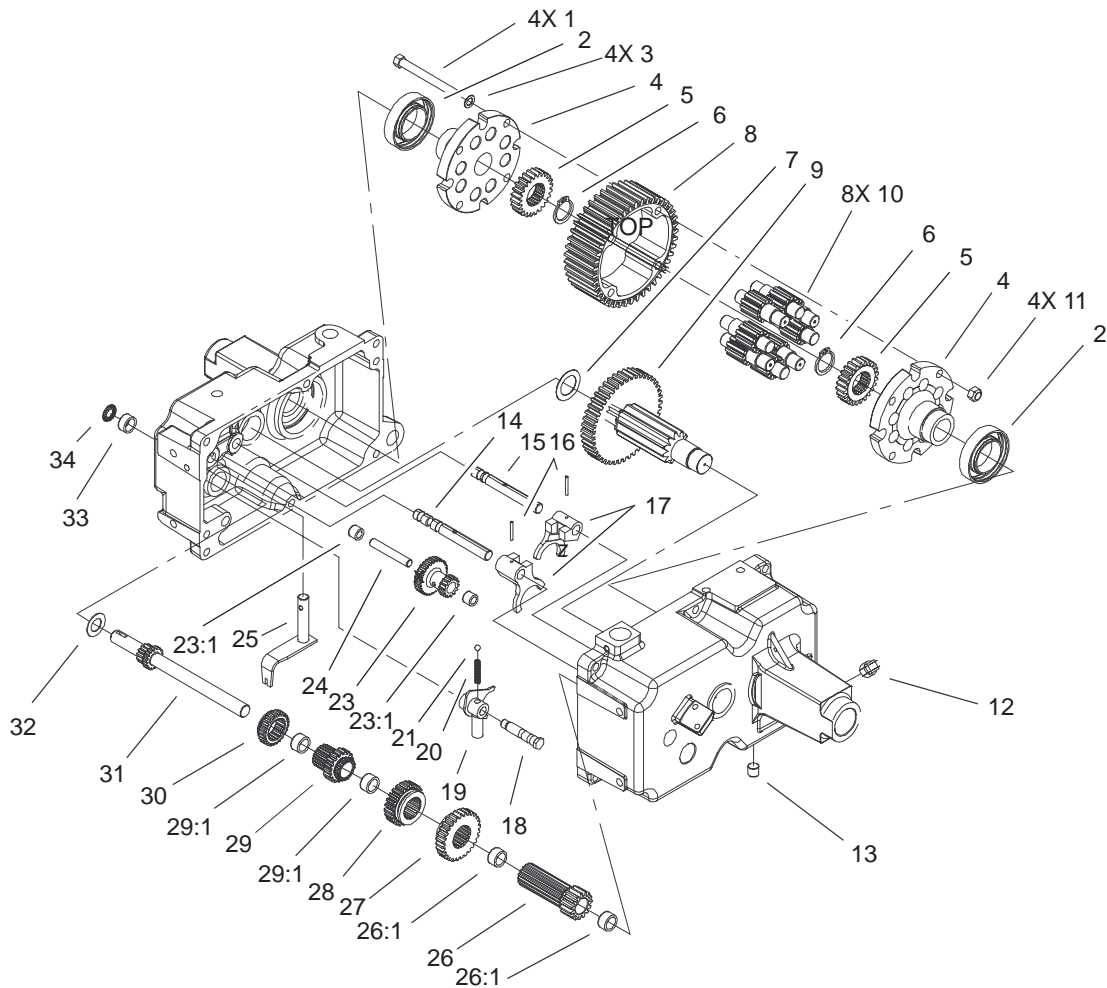
Ref. No.	Part No.	Qty.	Description
1	104-0847	1	Rod-Battery
2	321-4	2	Screw-HH
3	95-7654	1	Cable
4	104-2493	1	Battery-195 Cca
4:1	104-4163	1	Decal-Battery
4:2	104-4164	1	Decal-Battery
5	3296-42	2	Nut-Lock, NI
6	28-8080	1	Boot-Terminal
7	104-2466	1	Holddown-14 Inch Battery
8	100-3539	1	Cable-Battery,Positive

Ref. No.	Part No.	Qty.	Description









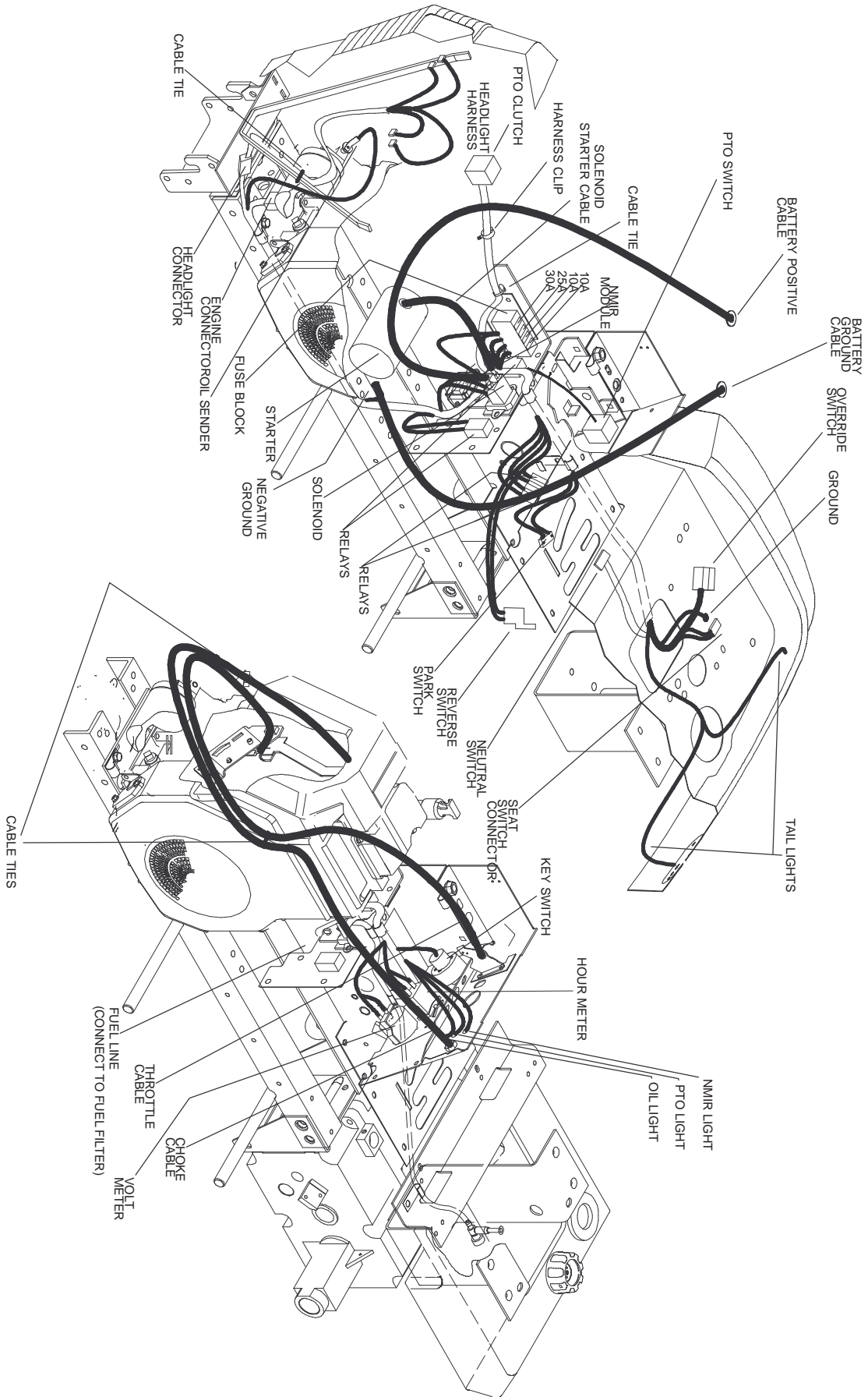
Sheet No.:2

## Transmission Gear Assembly

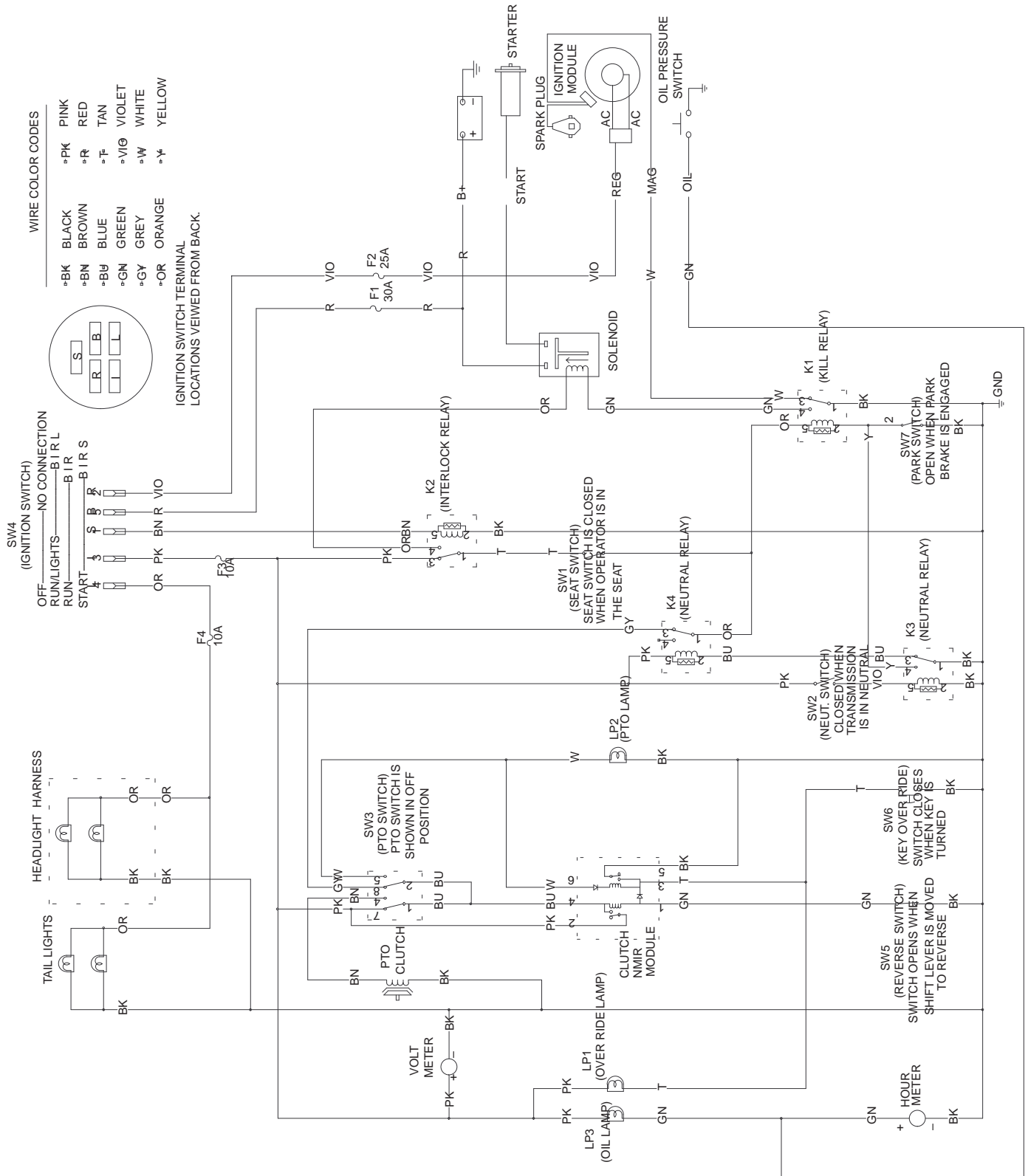
Ref. No.	Part No.	Qty.	Description
1	911423	4	Bolt-Hex
2	111199	2	Bearing-Ball
3	107374	4	Washer
4	111196	2	End Cap-Differential
5	101889	2	Gear-Axle Differential
6	105876	2	Ring-Snap
7	9547	1	Washer-Thrust
8	105061	1	Gear-Differential Ring 43t
9	102974	1	Gear ASM
10	101623	8	Gear-Pinion 11t
11	108881	4	Nut
12	281-2	1	Plug-Pipe, Square Head
13	99-8551	1	Plug-Pipe
14	5615	1	Rail-Shift
15	5616	1	Rail-Rear Shift
16	933156	2	Pin-Spirol, Roll
17	3503	2	Fork-Shift
18	7213	1	Bolt-Detent
19	116636	1	Shift Fork ASM
20	106030	1	Spring-Shift Stop
21	3517	1	Ball-Detent
23	100-1338	1	ASM-Gear Reduction
23:2	7207	2	Bearing-Needle
24	7208	1	Gear-Shaft Reduction

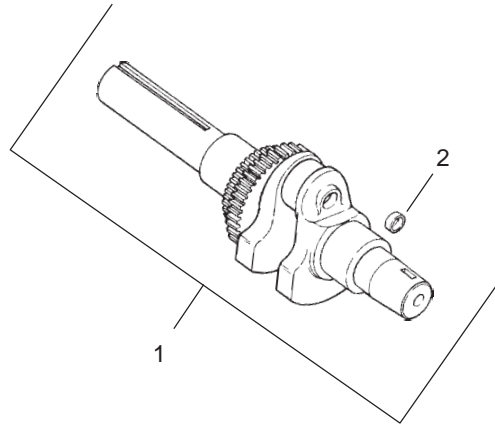
Ref. No.	Part No.	Qty.	Description
25	7214	1	Shift ASM *R
26	5175	1	Gear
26:2	1518	2	Bearing-Needle
27	5174	1	Gear-Low And Reverse
28	5173	1	Gear-Hi And 2nd
29	7204	1	Gear
29:2	1518	2	Bearing-Needle
30	7205	1	Gear-Sliding
31	7201	1	Shaft-Input
32	7418	1	Washer-Thr
33	1542	1	Bearing-Needle
34	100442	1	Seal-Oil

# Wire Routing Diagram



# Wiring Schematic



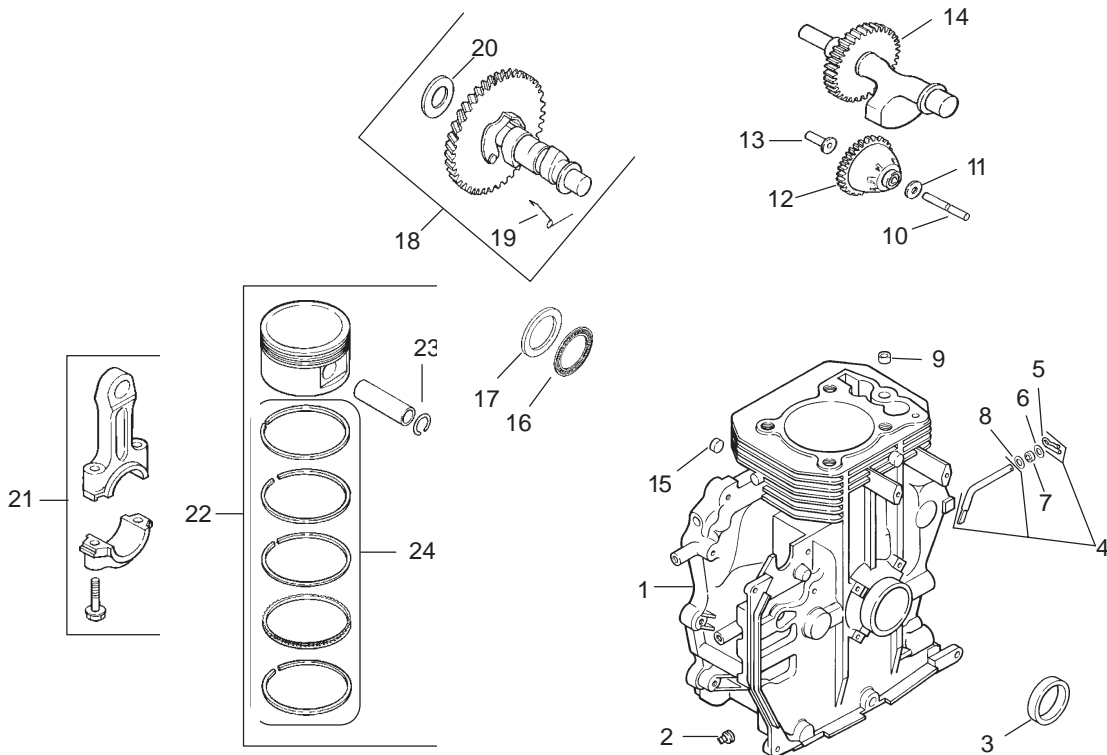


Sheet No.:

## Crankshaft Assembly Kohler Model CH15S-44533

Ref. No.	Part No.	Qty.	Description
1.	12 014 48-S	1	Crankshaft (Includes 2)
2.	12 139 01-S	1	Plug, cup

Ref. No.	Part No.	Qty.	Description

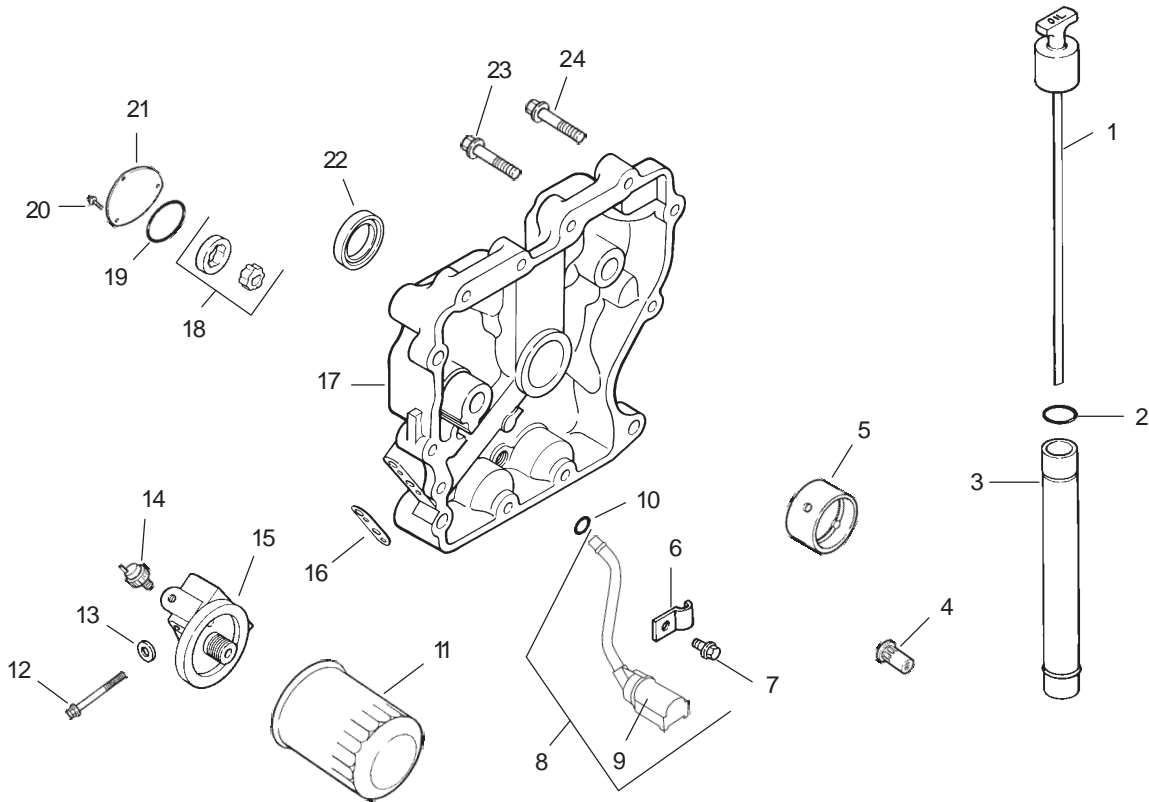


Sheet No.:

## Crankcase Assembly Kohler Model CH15S-44533

Ref. No.	Part No.	Qty.	Description
1.	N/A	1	Crankcase (USE: Short Block 12 522 06)
2.	25 139 57-S	2	Plug, solid sq. hd. 3/8" N.P.T.F.
3.	12 032 03-S	1	Seal, crankshaft
4.	12 755 64-S	1	Kit, governor cross shaft (Includes 5)
5.	12 154 05-S	1	Clip, hitch pin
6.	M-631015-S	1	Washer, plain 6 mm
7.	12 032 01-S	1	Seal, governor cross shaft
8.	X-25-102-S	1	Washer, plain 1/4"
9.	24 380 13-S	4	Pin, locating
10.	12 144 02-S	1	Shaft, governor gear
11.	M-631005-S	1	Washer, plain 6 mm
12.	12 043 05-S	1	Gear, governor
13.	12 380 01-S	1	Pin, governor regulating
14.	12 144 26-S	1	Shaft, balance
15.	52 139 09-S	1	Plug, cup
16.	24 030 08-S	1	Bearing, thrust
17.	24 422 04-S	1	Shim, thrust 0.48-0.52 mm (A.R.)
	24 422 05-S	1	Shim, thrust

Ref. No.	Part No.	Qty.	Description
18.	12 755 49-S	1	Kit, camshaft (Includes 19,20)
19.	12 089 31-S	1	Spring, actuating
20.	12 422 08-S	A.R.	Shim, camshaft
	12 422 09-S	A.R.	Shim, camshaft
	12 422 10-S	1	Shim, camshaft
	12 422 11-S	A.R.	Shim, camshaft
	12 422 12-S	A.R.	Shim, camshaft
	12 422 13-S	A.R.	Shim, camshaft
	12 422 07-S	A.R.	Shim, camshaft
21.	12 067 05-S	1	Connecting Rod (Std.)
	12 067 06-S	1	Connecting Rod (.25)
22.	12 874 07-S	1	Piston w/Ring Set (Std.) (Includes 23, 24)
	12 874 08-S	1	Piston w/Ring Set (.25)
	12 874 09-S	1	Piston w/Ring Set (.50)
	12 874 11-S	1	Piston w/Ring Set (.08)
23.	12 108 07-S	1	Ring Set (Std.)
	12 108 08-S	1	Ring Set (.25)
	12 108 09-S	1	Ring Set (.50)
24.	12 018 02-S	2	Retainer, piston pin

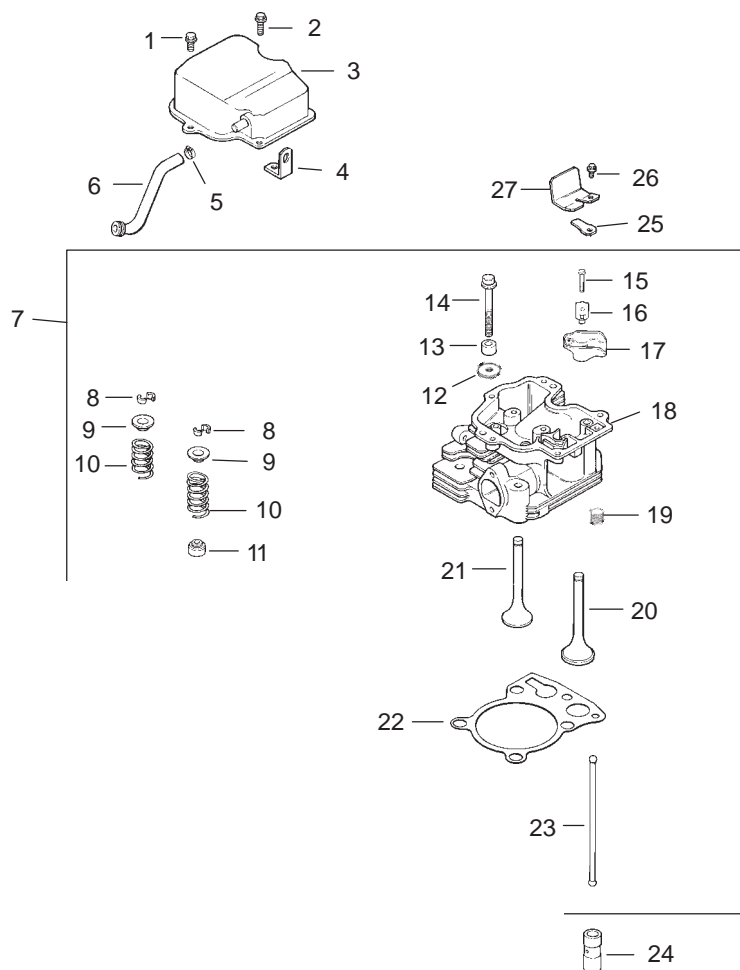


Sheet No.:

## Oil Pan/Lubrication Assembly Kohler Model CH15S-44533

Ref. No.	Part No.	Qty.	Description
1.	47 038 26-S	1	Dipstick assembly
2.	41 153 01-S	1	O-Ring, lower oil fill tube
3.	24 123 11-S	1	Tube, oil fill
4.	25 462 09-S	1	Valve, oil pressure relief
5.	12 030 05-S	1	Bearing, thrust
6.	52 154 01-S	1	Clip, oil tube
7.	M-545016-S	1	Screw, hex. flange M5x0.9x16
8.	12 755 73-S	1	Kit, oil pick-up (Includes 9)
9.	25 381 01-S	1	Screen, oil pick-up
10.	12 153 04-S	1	O-Ring, oil pick-up
11.	52 050 02-S	1	Filter, oil
12.	M-651060-S	2	Screw, hex. flange M6x1.0x60
13.	X-25-12-S	2	Washer, plain 1/4"
14.	25 099 24-S	1	Switch, oil pressure
15.	12 029 01-S	1	Adapter, oil filter
16.	12 041 07-S	1	Gasket, oil filter adapter
17.	12 009 36-S	1	Closure plate assembly (Includes 4,5,18-21)

Ref. No.	Part No.	Qty.	Description
18.	12 393 01-S	1	Pump, oil assembly
19.	12 153 05-S	1	O-Ring, oil pump
20.	M-545016-S	3	Screw, hex. flange M5x0.8x16
21.	12 096 21-S	1	Cover, oil pump
22.	12 032 03-S	1	Seal, oil (PTO end)
23.	24 086 16-S	11	Screw, hex. flange M8x1.25x45
24.	24 086 17-S	1	Screw, hex. flange M8x1.25x45
	25 113 05-S	1	NOT ILLUSTRATED Decal, oil sentry

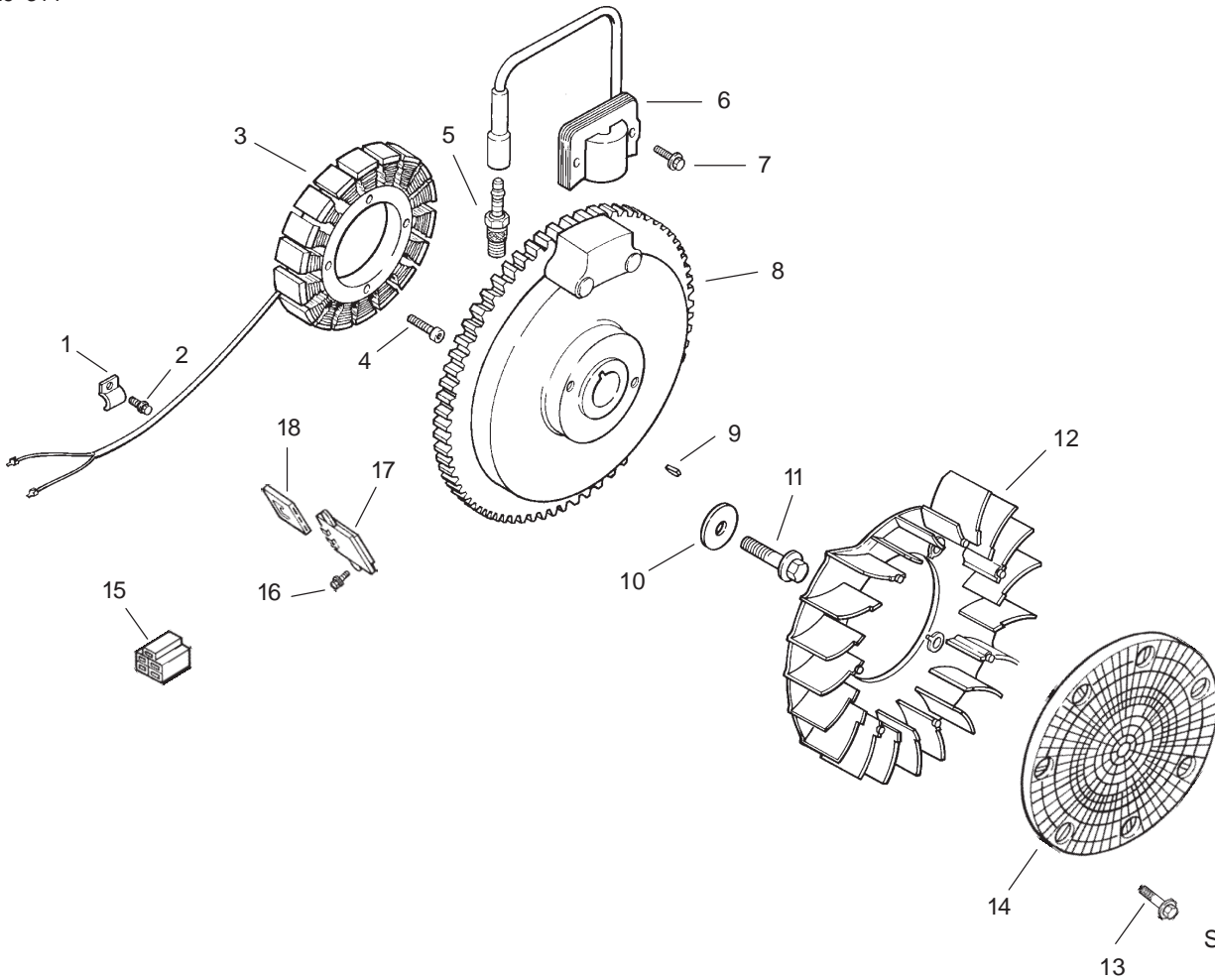


Sheet No.:

## Head/Valve/Breather Assembly Kohler Model CH15S-44533

Ref. No.	Part No.	Qty.	Description
1.	M-645020-S	4	Screw, hex. flange M6x1.0x20
2.	M-645025-S	1	Screw, hex. flange M6x1.0x25
3.	12 096 07-S	1	Cover, valve w/nipple
4.	12 445 05-S	1	Strap, lifting (PTO side)
5.	25 237 14-S	1	Clamp, hose
6.	12 326 09-S	1	Hose, breather
7.	12 755 81-S	1	Kit, cylinder head (Includes 8-23, 12 041 01 gasket (2), 12 041 02 gasket, and 12 041 03 gasket)
8.	12 755 03-S	2	Kit, retainer
9.	12 173 01-S	2	Cap, valve spring
10.	12 089 34-S	2	Spring, valve
11.	66 032 05-S	2	Seal, valve stem
12.	12 468 05-S	1	Washer, plain 13/32"
13.	12 112 13-S	1	Spacer, head bolt exhaust port
14.	12 086 15-S	5	Screw, hex. flange M10x1.5x81
15.	M-640034-S	2	Screw, hex. flange M6x1.0x34

Ref. No.	Part No.	Qty.	Description
16.	12 599 03-S	2	Pivot, rocker arm
17.	25 186 01-S	2	Arm, rocker
18.	12 318 19-S	1	Head, cylinder
19.	25 139 60-S	1	Plug, allen hd. 1/8" pipe
20.	12 017 01-S	1	Valve, intake (Std.)
21.	12 016 01-S	1	Valve, exhaust (Std.)
22.	12 041 10-S	1	Gasket, cylinder head
23.	12 411 01-S	2	Rod, push
24.	25 351 01-S	2	Lifter, valve
25.	12 402 02-S	1	Reed, breather
26.	M-545010-S	1	Screw, hex. flange M5x0.8x10
27.	12 018 01-S	1	Retainer, breather reed NOT ILLUSTRATED
	12 041 01-S	2	Gasket, carburetor
	12 041 02-S	1	Gasket, air filter
	12 041 03-S	1	Gasket, exhaust manifold
	12 017 02-S	1	Valve, intake (.25)
	12 016 02-S	1	Valve, exhaust (.25)

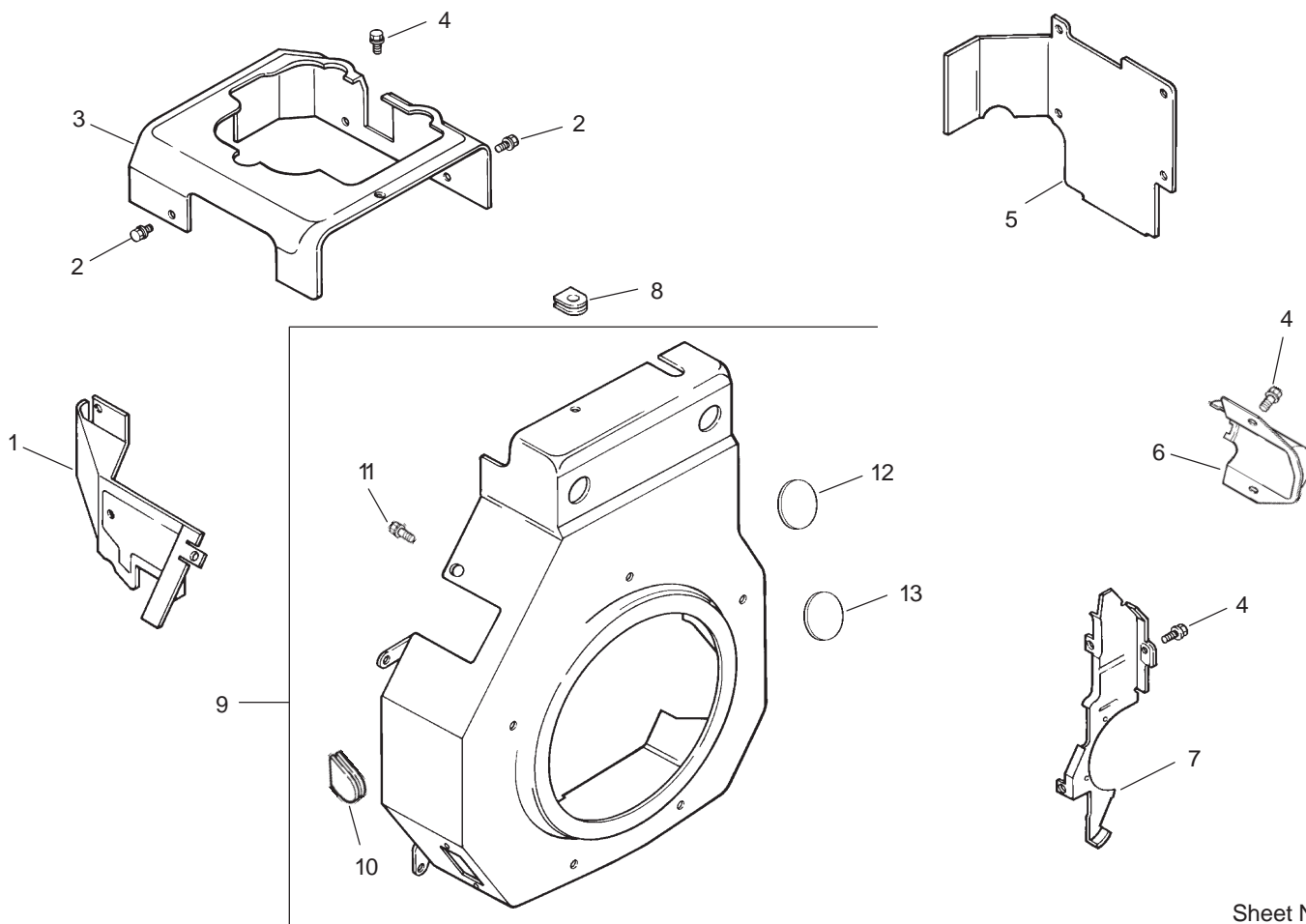


Sheet No.:

## Ignition/Electrical Assembly Kohler Model CH15S-44533

Ref. No.	Part No.	Qty.	Description
1.	X-728-1-S	2	Clip, cable
2.	M-545010-S	2	Screw, hex. flange M5x0.8x10
3.	237878-S	1	Kit, stator - 15 amp (Includes Terminal 25 452 01[qty. 2])
4.	M-548025-S	2	Screw, hex. cap M5x0.8x25
5.	12 132 02-S	1	Spark Plug
6.	12 584 04-S	1	Module, ignition
7.	M-545020-S	2	Screw, hex. flange M5x0.8x20
8.	12 025 33-S	1	Flywheel
9.	X-42-15-S	1	Key
10.	12 468 03-S	1	Washer, plain 3/8"
11.	12 086 14-S	1	Screw, hex. flange M10x1.5x46
12.	12 157 06-S	1	Fan
13.	25 086 47-S	4	Bolt, shoulder
14.	12 162 03-S	1	Screen, grass
15.	48 155 01-S	1	Connector (5 contact)
16.	M-639016-S	2	Screw, hex. flange M6x1.0x16

Ref. No.	Part No.	Qty.	Description
17.	41 403 09-S	1	Rectifier-regulator 15 amp
18.	236602-S	1	Connector, body NOT ILLUSTRATED
	25 452 01-S	2	Terminal
	X-22-11-S	1	Washer, lock 1/4 (Used to ground rectifier-regulator)
	24 518 12-S	1	Lead, black 6□ □12 gauge □ insulated grip barrel eyelet terminals)
	25 518 05-S	1	Lead, rectifier-regulator
	12 518 01-S	1	Lead, white, ground toinsulated push on tab terminals)

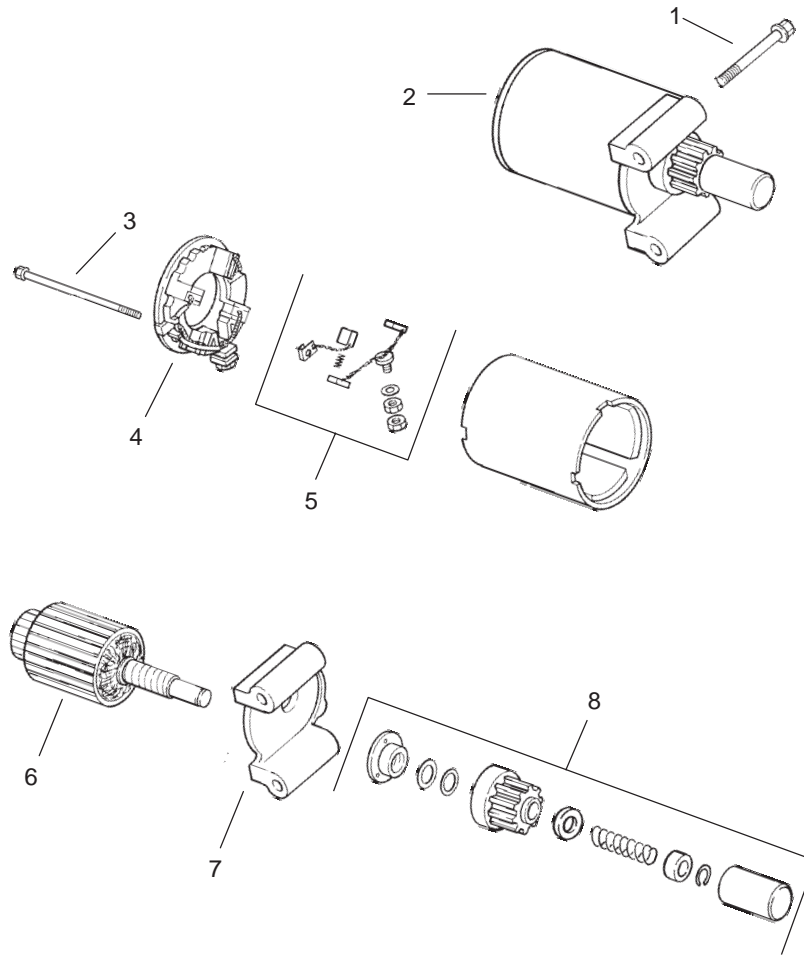


Sheet No.:

## Blower Housing Assembly Kohler Model CH15S-44533

Ref. No.	Part No.	Qty.	Description
1.	12 063 10-S	1	Baffle, intake side
2.	M-545010-S	9	Screw, hex. flange M5x0.8x10
3.	12 063 08-S	1	Baffle, cylinder head
4.	M-550010-S	7	Screw, hex. flange M5x0.8x10
5.	12 063 19-S	1	Baffle, cylinder
6.	12 096 39-S	1	Cover, starter
7.	12 146 07-S	1	Plate, blower housing
8.	12 313 03-S	1	Grommet, blower housing
9.	12 027 72-S	1	Kit, blower housing (Includes 10-13)
10.	12 313 05-S	2	Grommet
11.	M-545010-S	2	Screw, hex. flange M5x0.8x10
12.	25 139 16-S	2	Plug, button 9/16"
13.	25 139 17-S	1	Plug, button 1/2"
	12 146 21-S	1	Decal, 15 HP

Ref. No.	Part No.	Qty.	Description

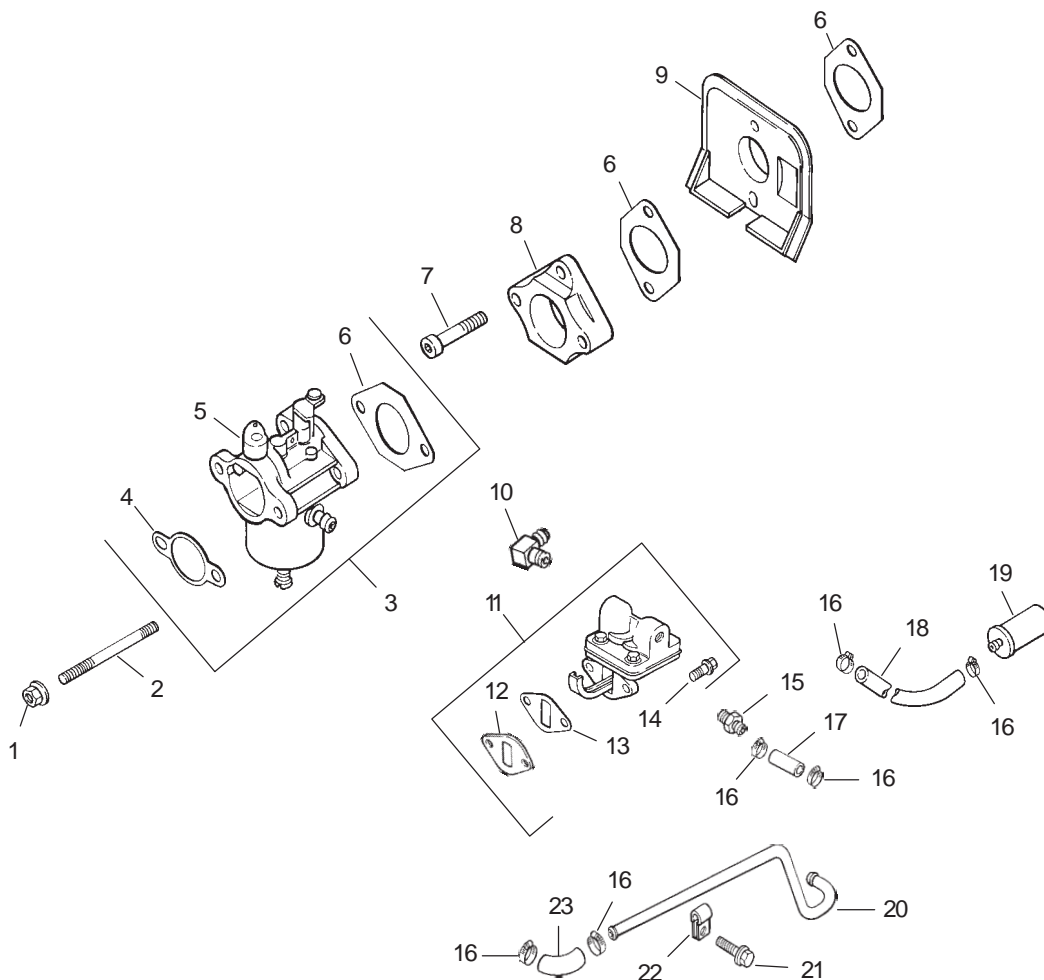


Sheet No.:

## Starter Assembly Kohler Model CH15S-44533

Ref. No.	Part No.	Qty.	Description
1.	M-839070-S	2	Screw, hex. flange M8x1.25x70
2.	12 098 19-S	1	Starter assembly (Includes 3-8)
3.	12 086 25-S	1	Screw, hex. flange 1/4-20x4-5/8□
4.	12 227 10-S	1	Cap, commutator end
5.	82 755 28-S	1	Kit, brush & spring
6.	45 170 03-S	1	Armature assembly
7.	12 227 16-S	1	Cap, drive end
8.	12 755 53-S	1	Kit, drive

Ref. No.	Part No.	Qty.	Description

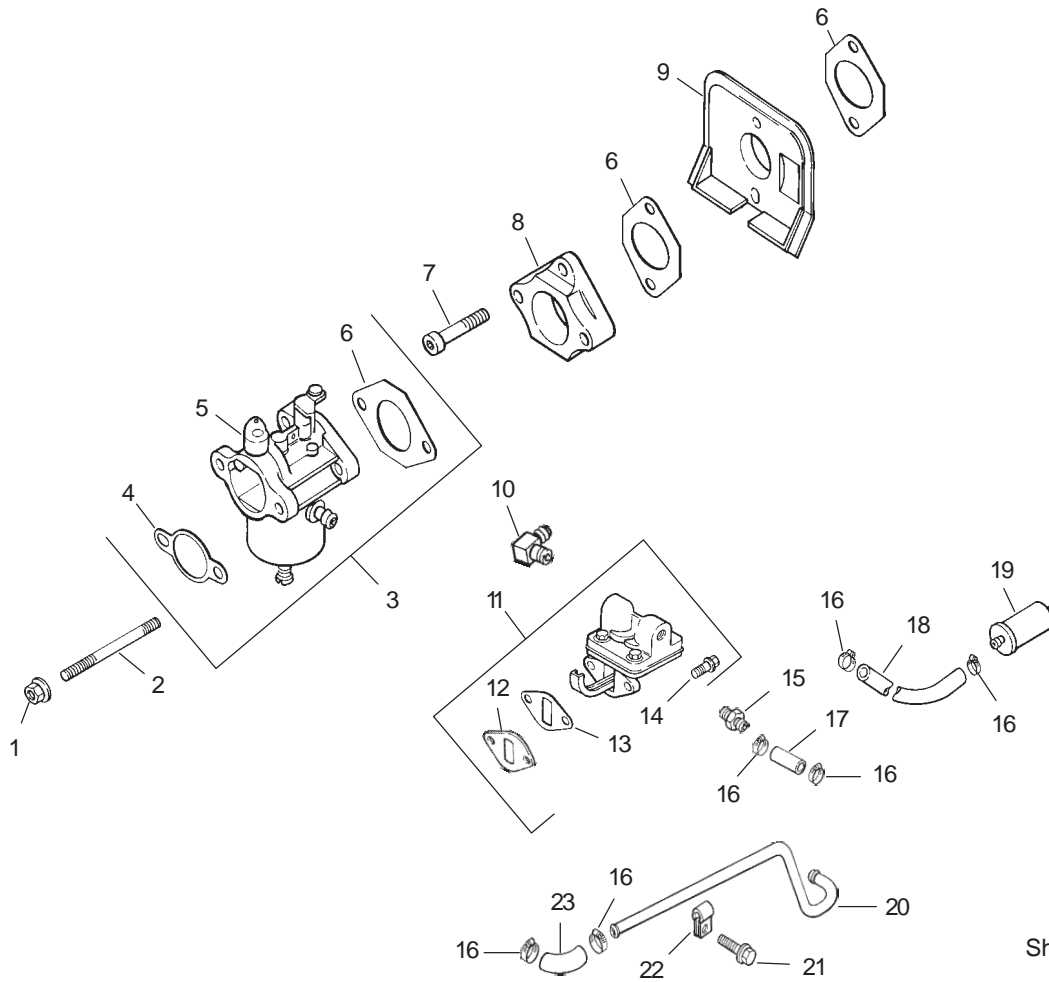


Sheet No.:

## Fuel System Assembly Kohler Model CH15S-44533

Ref. No.	Part No.	Qty.	Description
1.	M-641060-S	2	Nut, hex. flange M6x1.0
2.	M-629116-S	2	Stud M6x1.0x116
3.	12 853 75-S	1	Kit, carburetor w/gaskets (Includes 4-6 [qty 1])
4.	12 041 02-S	1	Gasket, air cleaner base
5.	12 053 75	1	Carburetor assembly (For information only not available separately) (Service with Kits 12 757 27-S, 12 757 29-S, and 12 757 31-S)
6.	12 041 01-S	3	Gasket, carburetor
7.	M-644035-S	2	Screw, hex. socket cap M6x1.0x35
8.	12 029 04-S	1	Adapter, carburetor
9.	12 265 04-S	1	Deflector, heat
10.	25 155 02-S	1	Connector
11.	12 559 01-S	1	Pump assembly, fuel (Includes 12-14)

Ref. No.	Part No.	Qty.	Description
12.	12 112 05-S	1	Spacer, fuel pump
13.	25 041 09-S	2	Gasket, fuel pump
14.	M-645020-S	2	Screw, hex. flange M6x1.0x20
15.	25 326 03-S	1	Connector, hose
16.	25 237 14-S	6	Clamp, hose
17.	12 353 01-S	1	Line, fuel 1-1/4"
18.	25 353 02-S	1	Line, fuel 3-1/2"
19.	25 050 02-S	1	Filter, fuel
20.	12 353 11-S	1	Line, fuel - metal
21.	M-545010-S	1	Screw, hex. flange M5x0.8x10
22.	X-728-1-S	1	Clip
23.	12 353 07-S	1	Line, fuel 90( elbow NOT ILLUSTRATED
	12 757 27-S	1	Kit, carburetor overhaul w/gaskets (Includes carburetor gasket, air filter base gasket, throttle adjust screw,

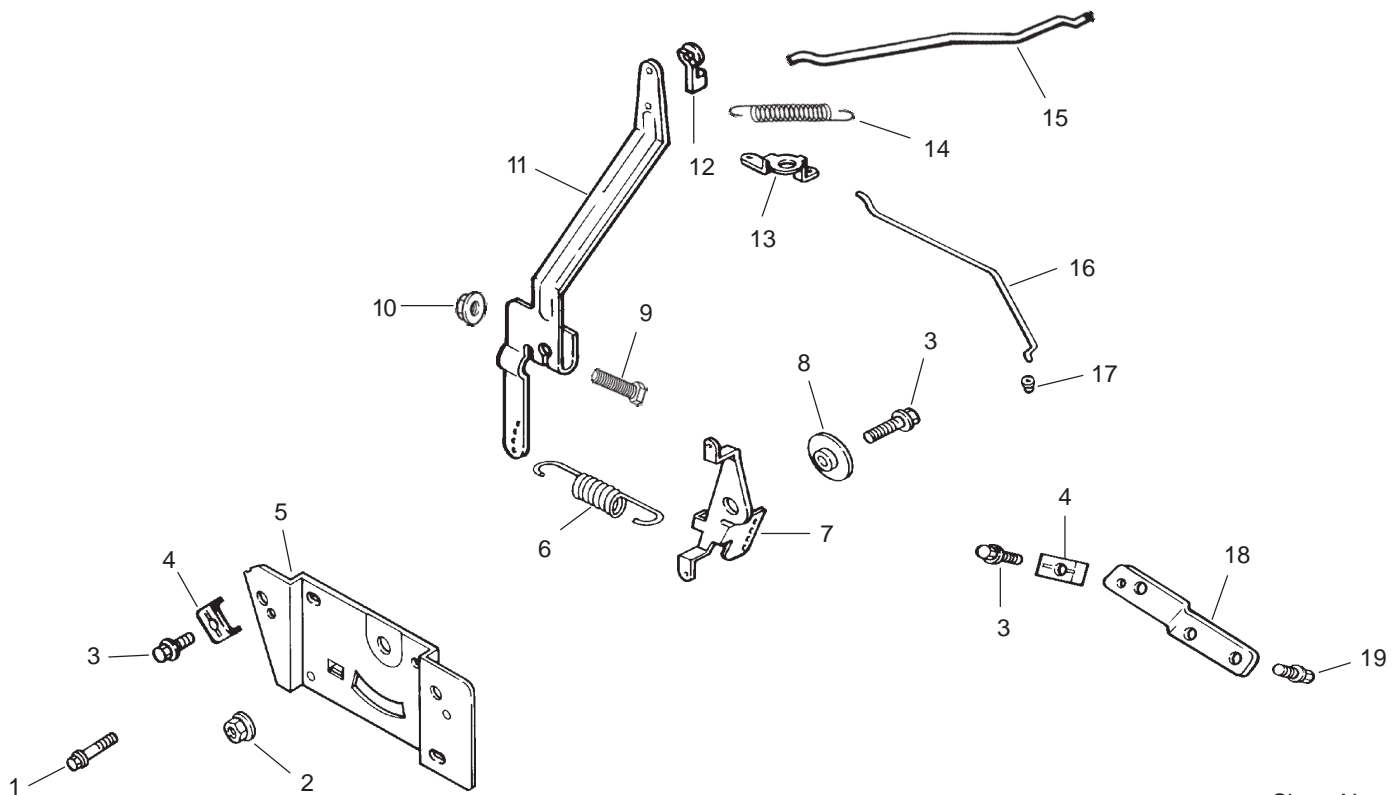


Sheet No.:

## Fuel System Assembly (continued) Kohler Model CH15S-44533

Ref. No.	Part No.	Qty.	Description
	12 757 29-S	1	gasket, float assembly, float pin, float valve, chamber set plug, float chamber gasket, welch plug, & throttle adjust screw spring) Kit, choke repair (Includes carburetor gasket, air filter base gasket, valve set screw, E-clip, choke valve, choke return spring, choke lever cap, & choke shaft)
	12 757 31-S	1	Kit, gasket replacement (Includes carburetor gasket, air filter base gasket, gasket, & float chamber gasket)

Ref. No.	Part No.	Qty.	Description



Sheet No.:

## Engine Control Assembly Kohler Model CH15S-44533

Ref. No.	Part No.	Qty.	Description
1.	M-664020-S	2	Screw, lobed socket M6x1.0x20
2.	M-541050-S	1	Nut, hex. flange M5x0.8
3.	M-545016-S	4	Screw, hex. flange M5x0.8x16
4.	12 237 01-S	3	Clamp, cable
5.	12 146 05-S	1	Plate, control
6.	12 089 17-S	1	Spring, governor
7.	12 090 13-S	1	Lever, throttle - inner
8.	12 112 07-S	1	Spacer, control assembly
9.	M-642025-S	1	Screw, hex. flange M6x1.0x25
10.	M-641060-S	1	Nut, hex. flange M6x1.0
11.	12 090 19-S	1	Lever, governor
12.	25 158 11-S	1	Bushing, throttle linkage
13.	12 090 14-S	1	Lever, choke - upper
14.	230117-S	1	Spring, linkage
15.	12 079 04-S	1	Linkage, throttle
16.	12 079 08-S	1	Linkage, choke - upper
17.	25 158 08-S	1	Bushing, linkage

Ref. No.	Part No.	Qty.	Description
18.	12 126 15-S	1	Bracket, choke mount
19.	M-545010-S	3	Screw, hex. flange M5x0.8x10





