



Height-of-Cut Wear Plate Kit

For Toro 21-inch Super Recycler® Walk Power Lawn Mowers

Model No. 105-1290

Installation Instructions

Install the the wear plates provided in the wear plate kit onto the lawn mower according to these instructions. Keep these instructions with your *Operator's Manual*.

Contents of the Kit

DESCRIPTION	QUANTITY
Front left-hand wear plate	1
Front right-hand wear plate	1
Rear wear plates	2
Wheel bolts (for some models)	2
1/4-20 x 0.750 bolts	4
1/4-20 x 0.500 bolts	4
Pivot washers (thick washers for hand-push models only)	2
Washers	2

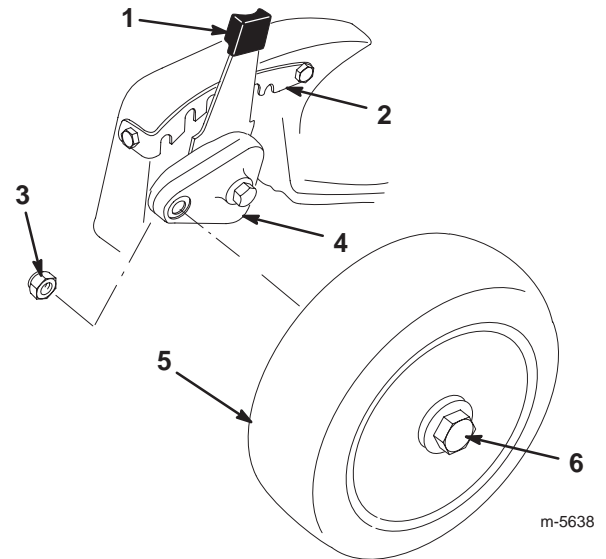


Figure 1

- | | |
|-------------------------------|-----------------------|
| 1. Front spring arm | 5. Wheel |
| 2. Front left-hand wear plate | 6. Wheel bolt |
| 3. Nut | 7. Washer (not shown) |
| 4. Pivot arm | |



Caution



If you leave the wire on the spark plug, someone could accidentally start the engine and seriously injure you or other bystanders.

Disconnect the wire from the spark plug before you do any maintenance. Set the wire aside so that it does not accidentally contact the spark plug.

- Remove and set aside the wheel bolt and nut that secure each wheel to the pivot arm (Fig. 1).
- Remove the front spring arms and insert the washers (provided in the kit) between the spring arms and the housing.
- Position each front wear plate as shown in Figure 2, aligning the notches in the wear plate with the notches in the lawn mower housing.

Installing the Front Wear Plates

- Place a wood block under the front of the lawn mower housing to raise the front wheels.
- Move the front spring arms to the highest cutting height setting (Fig. 1).

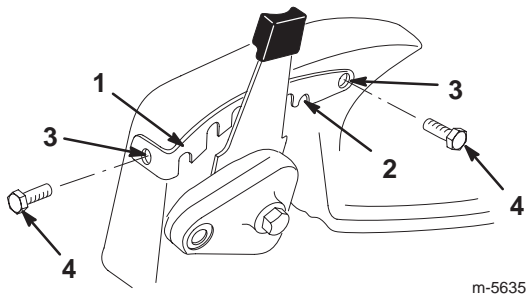


Figure 2

- | | |
|-------------------------------|------------------|
| 1. Front left-hand wear plate | 3. Mounting hole |
| 2. Notch | 4. Short bolt |

- Use each front wear plate as a template to locate and mark the two mounting holes on the lawn mower housing (Fig. 2).
- Drill 2 holes (7/32-inch diameter, 5/8 inch deep) to mount each front wear plate.
- Secure each front wear plate with two 1/4–20 x 0.500 thread-forming bolts (Fig. 2).
- Install each front wheel with a wheel bolt and a nut previously removed.
- Remove the wood block.

Installing the Rear Wear Plates

- Place a wood block under the rear of the lawn mower housing to raise the rear wheels.
- Move the spring arms to the highest cutting height setting (Fig. 3).

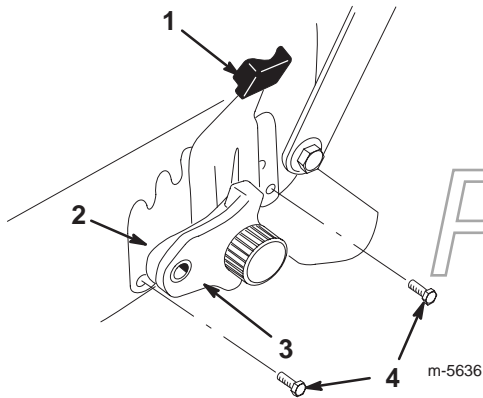


Figure 3

- | | |
|--------------------|---------------|
| 1. Spring arm | 3. Pivot arm |
| 2. Rear wear plate | 4. Long bolts |

- Remove and discard the wheel bolt that secures each wheel to the pivot arm (Fig. 3).

Note: For hand push models, remove the rear spring arms and replace the washers between the spring arms and the housing with the pivot washers included in the kit.

- Position each rear wear plate (Figs. 3 and 4), aligning the notches in the wear plate with the notches in the lawn mower housing.

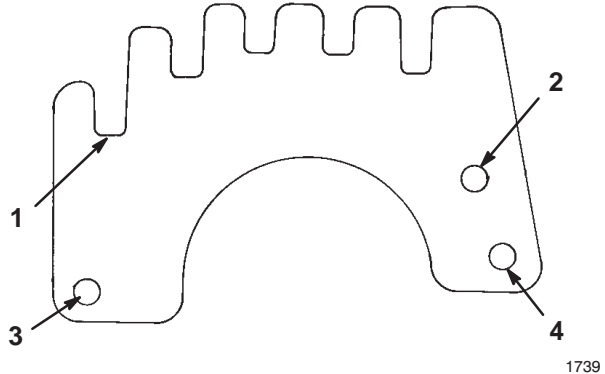


Figure 4

- | | |
|---|--|
| 1. Notch | 4. Mounting hole (toward rear of lawn mower) |
| 2. Do not use | |
| 3. Mounting hole (toward front of lawn mower) | |

Note: The wear plates may not line up with all the height-of-cut slots on the lawn mower housing.

- Use the rear wear plate as a template to locate and mark the two mounting holes on the lawn mower housing (Fig. 4).
- Drill 2 holes (7/32-inch diameter, 5/8 inch deep) to mount each rear wear plate.
- Secure each rear wear plate with two 1/4–20 x 0.750 thread-forming bolts (Fig. 2).
- Install the rear wheels using the wheel bolts.

Note: For some lawn mower models, the shorter wheel bolts supplied in the kit provide clearance between the wheel bolt and the rear wear plate fastener bolt.

- Remove the wood block.