



Mid–Size Mower

ProLine Gear 15 HP with 44 in. Side Discharge Mower

Model No. 30291TE—210000001 and Up

Parts Catalog

Ordering Replacement Parts

To order replacement parts, please supply: the part number, the quantity, and the description of each part desired.

Understanding Reference Numbers

Each identified part in an illustration has a reference number. The reference number for a part also appears in the parts list, along with other information about the part.

This catalog uses two special reference number formats, one to indicate parts in a service assembly and another to indicate the quantity of a given part in an illustration.

Service Assembly Reference Numbers

Parts in service assemblies have reference numbers in the form **a:b**. The **a** represents the reference number of the entire service assembly and the **b** represents a sequential number unique to each part within the service assembly.

For example, a wheel assembly might be identified by reference number **6**, the tire by **6:1**, the valve by **6:2**, and the wheel by **6:3**. When you order the assembly identified by reference number **6**, you receive all parts identified by reference numbers **6:1**, **6:2**, and **6:3**. However, you may also order any part individually.

Reference numbers of this type appear in illustrations and in part lists.

Reference Numbers Indicating Quantity

In an illustration, if a reference number indicates more than one part, the reference number has the form **nX y**. The **n** represents the quantity of the part, the **X** is the multiplication symbol, and the **y** represents the reference number.

For example, in an illustration, the reference number **2X 37** means that two of the parts identified by reference number **37** are indicated.

Contents

Description	Page	Description	Page
Engine Assembly	3	Kohler Model CV15T–41607	19
Clutch Assembly	4	Group 4 Head/Valve/Breather Assembly	
Hydraulic Pump & Fuel Tank Assembly	5	Kohler Model CV15T–41607	20
Wheel Motor & Tire Assembly	6	Group 5 Ignition/Electrical Assembly	
Lower Controls Assembly	7	Kohler Model CV15T–41607	21
Hydraulic Hoses Assembly	8	Group 6 Blower Housing Assembly	
Upper Handle Assembly	9	Kohler Model CV15T–41607	22
Control Panel Assembly	10	Group 7 Starter Assembly	
Parking Brake Assembly	11	Kohler Model CV15T–41607	23
Deck Assembly	12	Group 8 Fuel System Assembly	
Spindles, Idler Pulleys, & Belts Assembly	13	Kohler Model CV15T–41607	24
Spindles Assembly No. 104–6316	14	Group 9 Engine Control Assembly	
Spindles Assembly No. 104–6318	15	Kohler Model CV15T–41607	25
Carrier Frame Assembly	16	Group 10 Air Intake/Filtration Assembly	
Schematic	17	Kohler Model CV15T–41607	26
Group 2 Crankcase Assembly – Kohler Model CV15T–41607	18	Group 11 Exhaust Assembly	
Group 3 Oil Pan/Lubrication Assembly		Kohler Model CV15T–41607	27

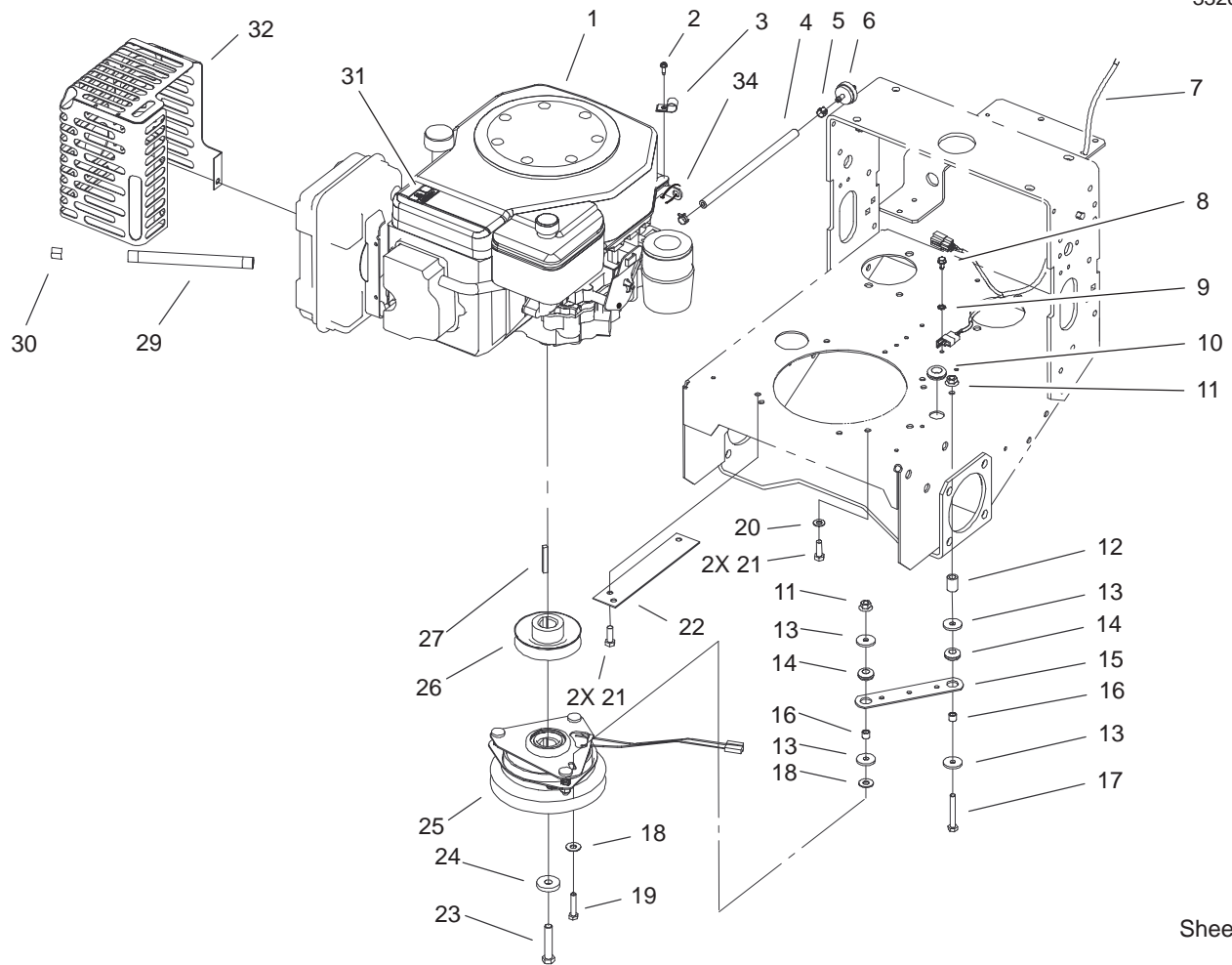
Accessories

Description	Model / Part No.	Description	Model / Part No.
-------------	------------------	-------------	------------------

Part Description Abbreviations

Part descriptions in this catalog may include the following abbreviations.

Abbreviation	Meaning	Abbreviation	Meaning
AR	as required	HYD	hydraulic
ASM	assembly	INC	incorporated
CARR	carriage	LH	left hand
DEG	degrees	NI	nylon insert
FH	flat head	PPH	Phillips pan head
GA	gauge	PTH	Phillips truss head
HF	hex flange	PTO	power take off
HH	hex head	RH	right hand
HHF	hex head flange	SFH	slotted fillister head
HLH	hex lag head	SHH	slotted hex head
HJ	hex jam	SQH	square head
HOC	height-of-cut	SHWH	slotted hex washer head
HS	hex socket	SPH	slotted pan head
HSBH	hex socket button head	SRH	slotted round head
HSFH	hex socket flat head	STD	standard
HSH	hex socket head	TAP	self tapping
HWH	hex washer head	TTH	Torx truss head
HWHTF	hex washer head thread forming	WH	wing head

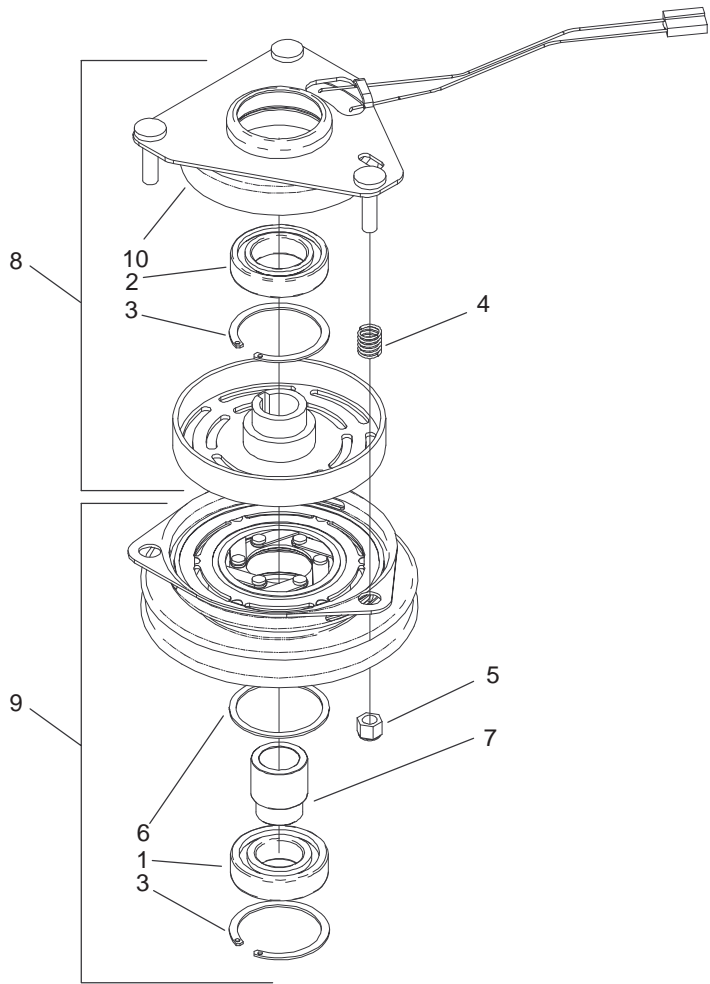


Sheet No.:2

Engine Assembly

Ref. No.	Part No.	Qty.	Description	Ref. No.	Part No.	Qty.	Description
☆1		1	Engine-Kohler, Cv15t-41607	25	54-3200	1	Clutch/Brake
2	32144-19	1	Screw-Forming, Thread	26	44-5940	1	Pulley
3	2412-87	1	Clamp-Cable	27	608006	1	Key
4	47-2982	1	Hose-Gas	29	105-2624	1	Pipe-Nipple
5	2412-98	2	Clamp	30	288-10	1	Cap-Pipe
6	56-6360	1	Filter-Fuel	31	93-8069	1	Decal-Surface, Hot
7	104-8136	1	Harness-Wire	32	105-0872-03	1	Guard-Muffler
8	12-3270	1	Screw	34	3290-381	1	Tie - Cable
9	3255-7	1	Washer-Lock/Ext				
10	237-124	1	Grommet				
11	32128-20	2	Nut-HF				
12	104-6373	1	Tube - Retainer				
13	1-613235	4	Washer				
14	1-633630	2	Grommet-Brake				
15	1-633543	1	Strap-Clutch/Brake				
16	1-633545	2	Spacer-Grommet				
17	322-11	1	Screw-HH				
18	3256-3	2	Washer-Flat				
19	322-7	1	Screw-HH				
20	3256-23	2	Washer-Flat				
21	33114-025	4	Screw-HH				
22	94-5847-01	1	Cover - Pulley				
23	3212-9	1	Screw-HH				
24	112843	1	Washer				

☆ Not serviced

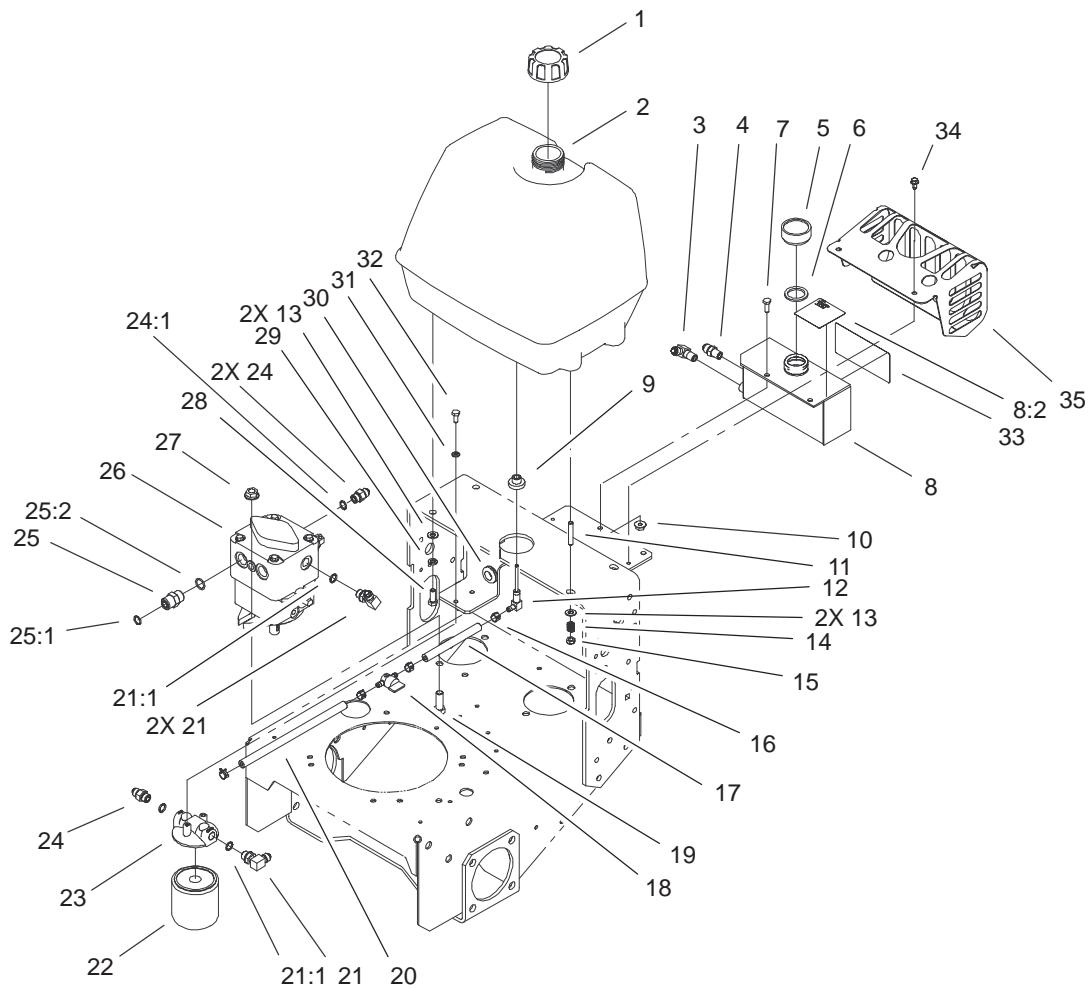


Sheet No.:A1

Clutch Assembly

Ref. No.	Part No.	Qty.	Description
1	251-291	1	Bearing-Pulley
2	251-292	1	Bearing-Field
3	44-8310	2	Ring-Retaining
4	44-8320	3	Spring
5	3296-6	3	Nut-Lock, NI
6	44-8330	1	Spacer-Bearing, Pulley
7	44-8340	1	Collar-Bearing
8	44-8360	1	Field Coil-Rotor / Bearing ASM
9	44-8370	1	Armature / Pulley / Bearing ASM
10	54-0230	1	Field Bearing ASM

Ref. No.	Part No.	Qty.	Description

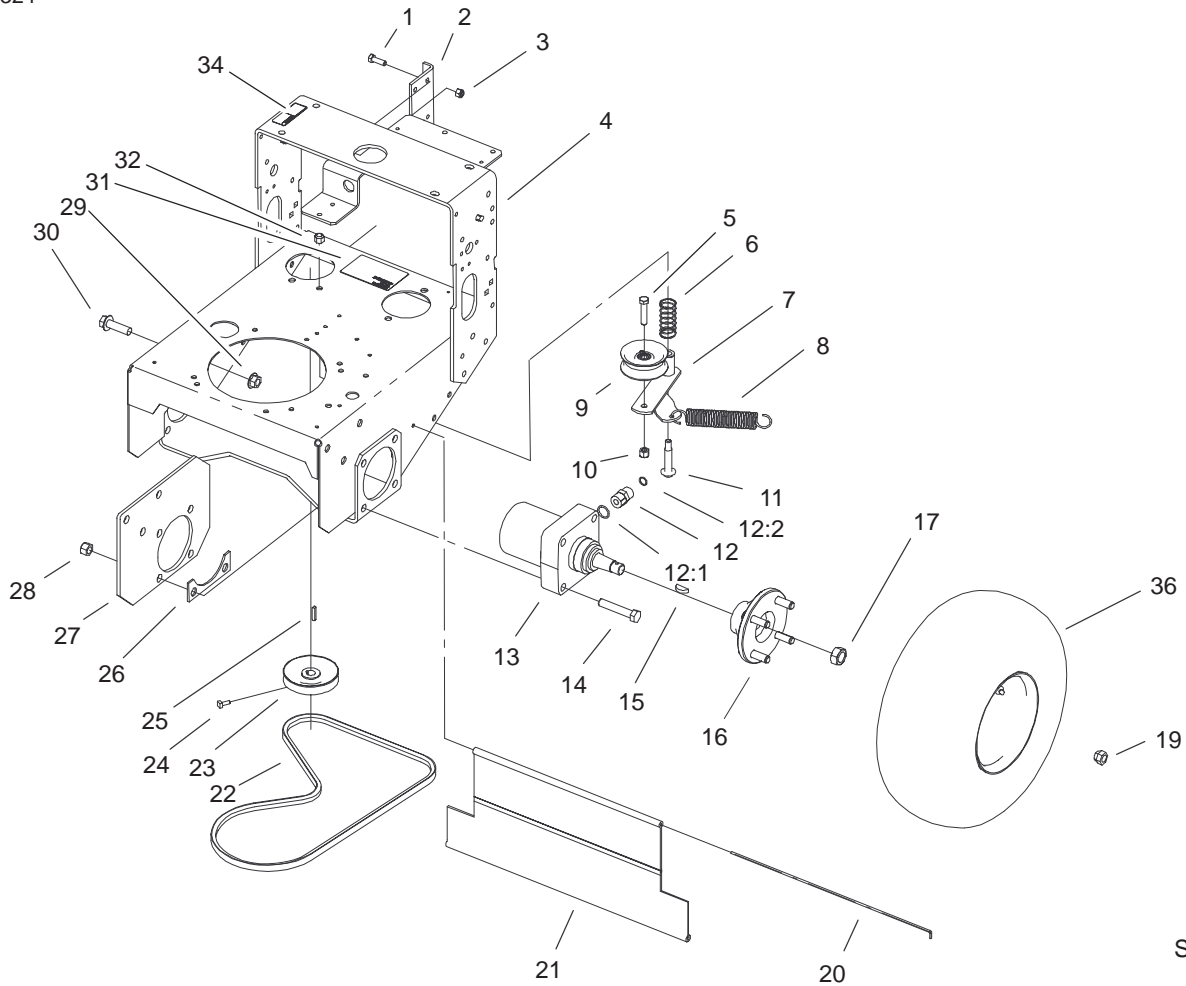


Sheet No.:4

Hydraulic Pump And Fuel Tank Assembly

Ref. No.	Part No.	Qty.	Description
1	55-3570	1	Gas Cap ASM
2	1-323551	1	Tank-Fuel
3	1-603988	1	Fitting-Elbow
4	1-513510	1	Fitting-Straight
5	1-513167	1	Cap
6	1-523103	1	Gasket-Cap, Tank
7	321-4	2	Screw-HH
8	100-3953	1	Hydraulic Tank ASM
8:2	100-3952	1	Decal-Hot Surface, HYD Tank
9	1-513645	1	Bushing-Valve, Fuel
10	32128-33	2	Nut-HF
11	104-8121	2	Stud-Threaded
12	1-543277	1	Elbow-Tank, Fuel
13	3256-23	4	Washer-Flat
14	1-633349	2	Spring-Tank, Fuel
15	3296-47	2	Nut-Lock, NI
16	2412-98	4	Clamp
17	47-2966	1	Hose-Gas
18	1-603770	1	Valve-Fuel
19	324-5	4	Screw-HH
20	47-2982	1	Hose-Gas
21	105-0858	3	Fitting-90°
21:1	237-42	1	O-Ring
22	1-633750	1	Filter-HYD
22	1-633752	1	Filter-HYD, Winter

Ref. No.	Part No.	Qty.	Description
23	104-7836	1	Head - Filter
24	353-384	3	Fitting-Straight
24:1	237-42	1	O-Ring
25	340-4	4	Adapter
25:1	237-30	1	O-Ring
25:2	237-79	1	O-Ring
26	104-1167	2	Pump-Hydraulic
27	32128-42	4	Nut-HF
28	322-4	2	Screw-HH
29	3253-4	2	Washer-Lock
30	237-124	1	Grommet
31	3253-3	2	Washer-Lock
32	321-3	2	Screw-HH
33	104-8172	1	Decal-Mobil 1
34	12-3270	2	Screw
35	105-0871-03	1	Hydro Tank Guard

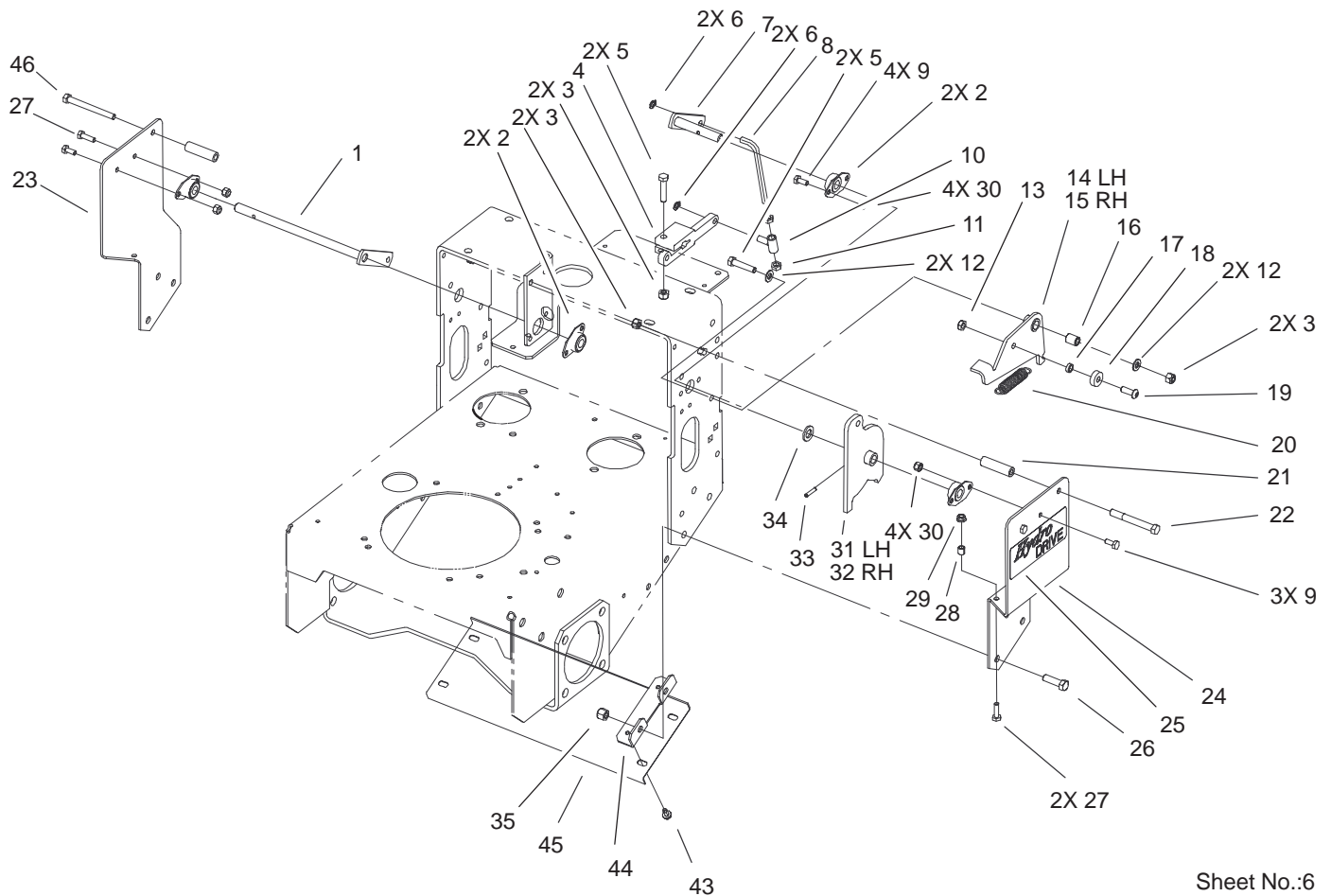


Sheet No.:5

Wheel Motor And Tire Assembly

Ref. No.	Part No.	Qty.	Description
1	322-5	2	Screw-HH
2	105-0876-01	1	Bracket-Bushing
3	3296-29	2	Nut-Lock
4	104-1100-01	1	Frame ASM
5	323-9	1	Screw-HH
6	88-1880	1	Spring-Compression
7	86-4770	1	Idle Lever ASM
8	68-2190	1	Spring
9	62-4540	1	Pulley
10	3296-39	1	Nut-Lock, NI
11	27-6230	1	Bolt-Wheel
12	340-6	4	Fitting-HYD, Straight
12:1	237-30	1	O-Ring
12:2	237-80	1	O-Ring
13	104-1171	2	Motor-Wheel
14	325-11	8	Screw-HH
15	80-6090	2	Key - Pump
16	105-0800	2	Wheel Hub/Stud ASM
17	85-7310	2	Nut-Motor, Wheel
19	242-50	8	Nut-Lug
20	95-1529	1	Rod-Shield
21	95-1526	1	Shield-Trailing
22	82-4110	1	V-Belt
23	95-1528	2	Pulley - Pump
24	3241-5	4	Screw-Set
25	3257-8	2	Key-Woodruff

Ref. No.	Part No.	Qty.	Description
26	86-4740-01	2	Spacer - Frame
27	104-6326-01	2	Plate-Frame
28	3296-23	8	Nut-Lock, NI
29	32128-23	6	Nut-HF
30	3234-32	6	Screw-HHF
31	95-5851	1	Decal - Valve, Int'l
32	3296-6	1	Nut-Lock, NI
34	93-9353	1	Decal - Fuel Shut Off
36	104-1198	2	Wheel And Tire ASM

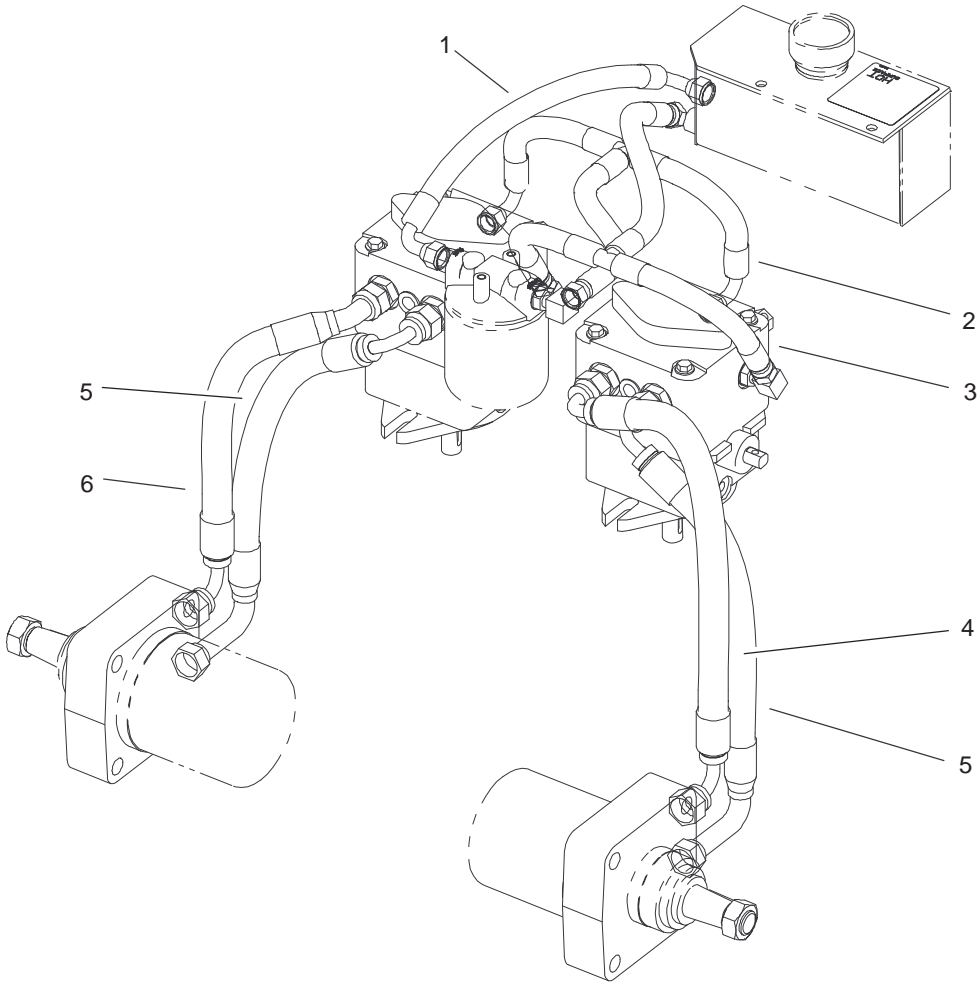


Sheet No.:6

Lower Control Assembly

Ref. No.	Part No.	Qty.	Description
1	94-9059	1	Lever-Pivot, RH
2	82-4130	4	Side Flange Bearing ASM
3	3296-29	6	Nut-Lock
4	82-3790	2	Arm-Pump
5	322-7	4	Screw-HH
6	32151-3	4	Ring-Grip, Ex
7	94-9057	1	Lever-Pivot, LH
8	104-8109	2	Rod-Link
9	321-3	7	Screw-HH
10	94-9062	2	Sleeve
11	3218-2	4	Nut-Jam
12	3256-23	4	Washer-Flat
13	3296-47	2	Nut-Lock, NI
14	82-4330-01	1	Arm-Detent, LH
15	82-4340-01	1	Arm-Detent, RH
16	82-4370	2	Bushing-Arm, Detent
17	82-4240	2	Spacer-Bearing
18	251-259	2	Bearing
19	3274-32	2	Screw-HSBH
20	105-1210	2	Spring - Extension
21	82-3920	2	Stop-Reverse
22	322-14	1	Screw-HH
23	104-8106-01	1	Bracket-Pivot, Left
24	104-8107-01	1	Bracket-Pivot, Right
25	82-4600	2	Decal-Hydro

Ref. No.	Part No.	Qty.	Description
26	323-8	6	Screw-HH
27	321-5	3	Screw-HH
28	95-1516	2	Spacer - Tubular
29	32128-10	2	Locknut-Flange
30	3296-42	8	Nut-Lock, NI
31	94-9054-01	1	Arm-Pivot, LH
32	94-9061-01	1	Arm-Pivot, RH
33	32121-4	2	Pin-Roll
34	257-5	2	Washer-Thrust
35	3296-39	6	Nut-Lock, NI
43	12-3270	4	Screw
44	105-2640-01	2	Angle-Mounting
45	105-2641-03	1	Panel-Bottom
46	322-20	1	Screw-HH

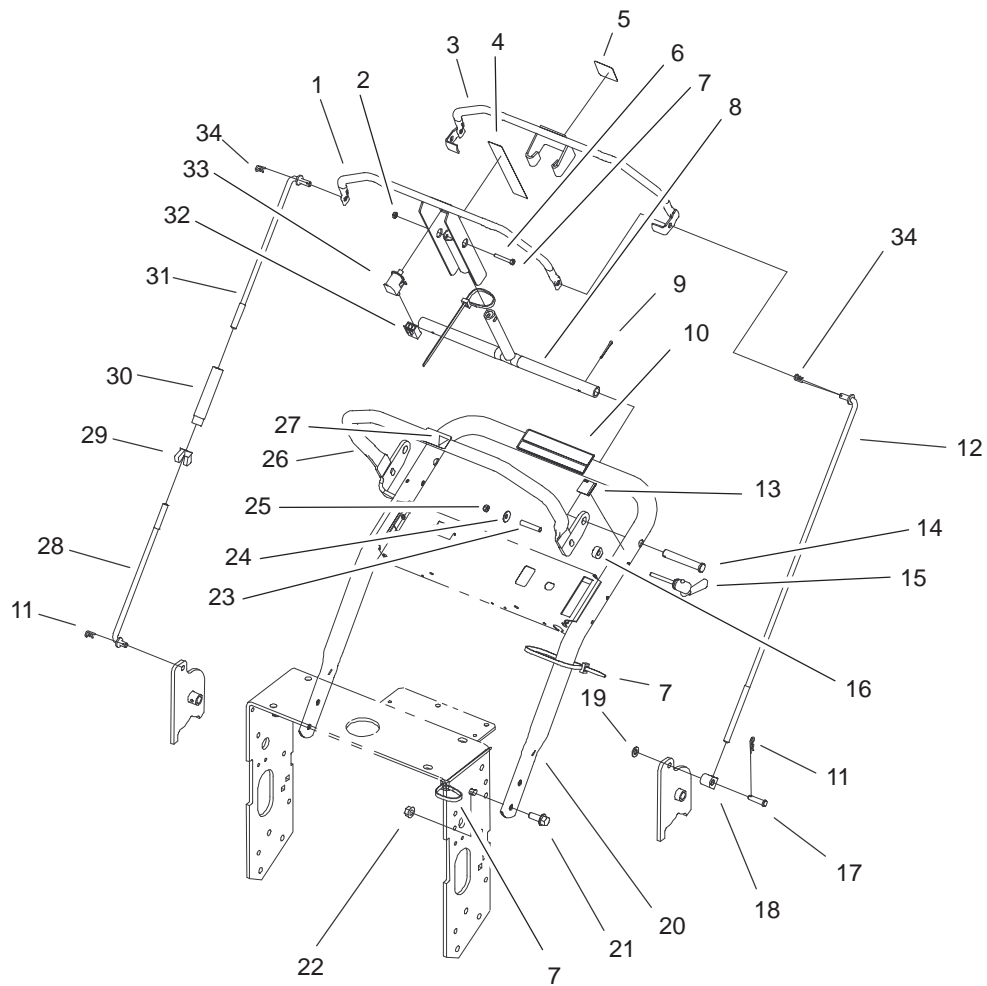


Sheet No.:7

Hydraulic Hose Assembly

Ref. No.	Part No.	Qty.	Description
1	105-0849	1	Hydraulic Hose ASM
2	105-0847	1	Hydraulic Hose ASM
3	105-0848	1	Hydraulic Hose ASM
4	82-4560	1	Hydraulic Hose ASM
5	82-4550	2	Hydraulic Hose ASM
6	82-4540	1	Hydraulic Hose ASM

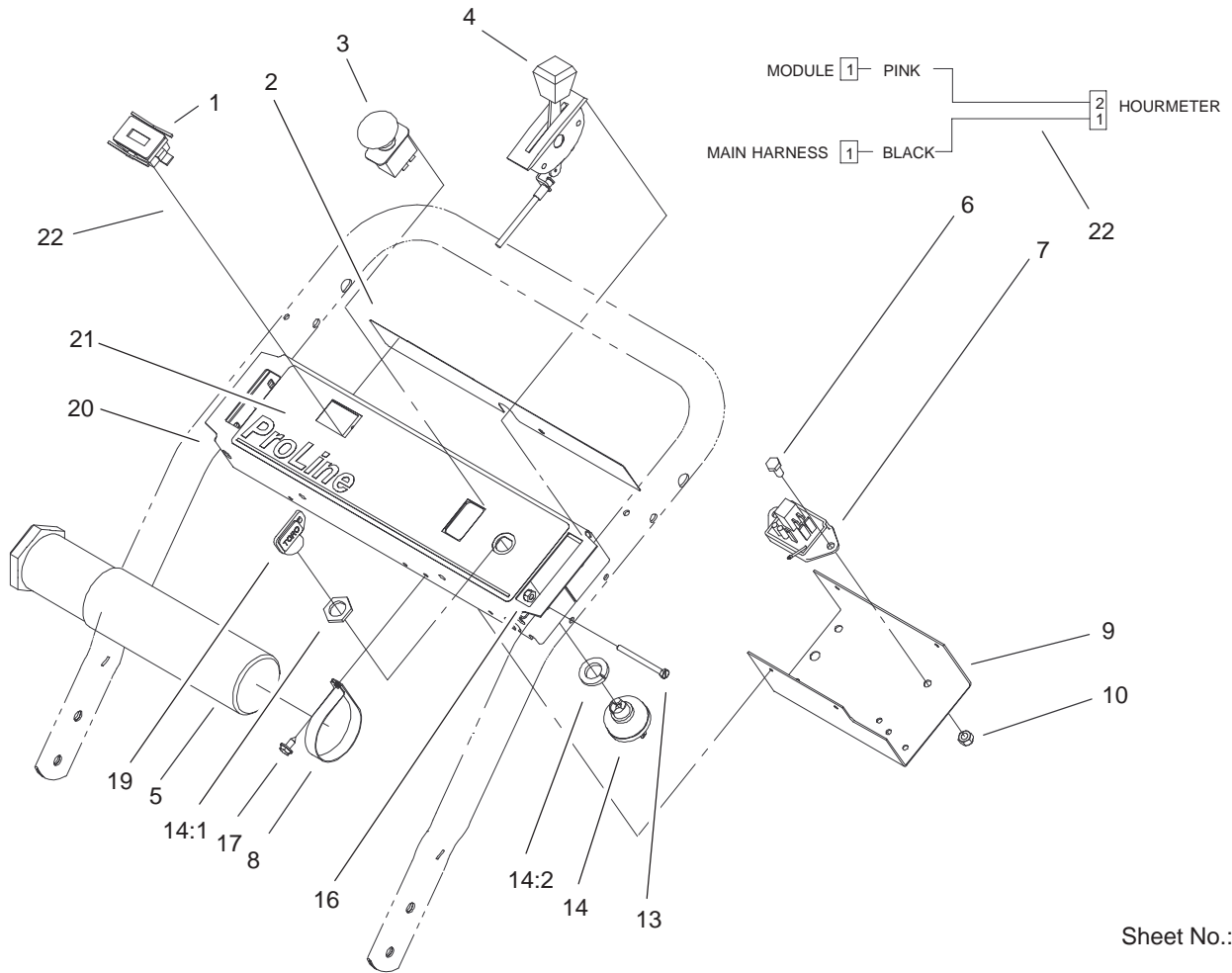
Ref. No.	Part No.	Qty.	Description



Sheet No.:8

Upper Handle Assembly

Ref. No.	Part No.	Qty.	Description	Ref. No.	Part No.	Qty.	Description
1	104-6380-03	1	Control Bar ASM	26	95-1536-03	1	Handle ASM
2	32153-1	1	Nut-Lock	27	98-4387	1	Decal-Protection, Ear
3	104-6386-03	1	Bail ASM	28	95-1506	1	Rod-Control, Lower
4	95-1524	1	Decal-T Bar	29	32103-3	1	Nut-Wing
5	95-5850	1	Decal - Drive, Int'l	30	95-1504	1	Turnbuckle
6	32105-1	1	Screw-SHH	31	95-1505	1	Rod-Control, Upper
7	3290-378	3	Tie-Cable	32	218-595	1	Connector-Body
8	104-6383-03	1	Pivot ASM	33	82-2190	1	Switch-Bail
9	3272-11	2	Pin-Cotter	34	3272-4	2	Pin-Cotter
10	95-5852	1	Decal - Slope, Int'l				
11	3290-307	2	Pin-Hair				
12	94-9095	1	Rod - Control				
13	95-5862	1	Decal-Lock, Speed				
14	283-55	2	Pin-Clevis				
15	95-5853	2	Quick Release Lock ASM				
16	82-3840	2	Spacer				
17	283-6	1	Pin-Clevis				
18	74-0521	1	Fitting-Rod				
19	3256-23	1	Washer-Flat				
20	95-5856-03	1	Handle - Upper				
21	3234-11	4	Screw-HHF				
22	32128-21	4	Nut-HF				
23	95-5854	2	Sleeve				
24	3290-436	2	Washer-Belleville				
25	33023-00	2	Nut-Lock				

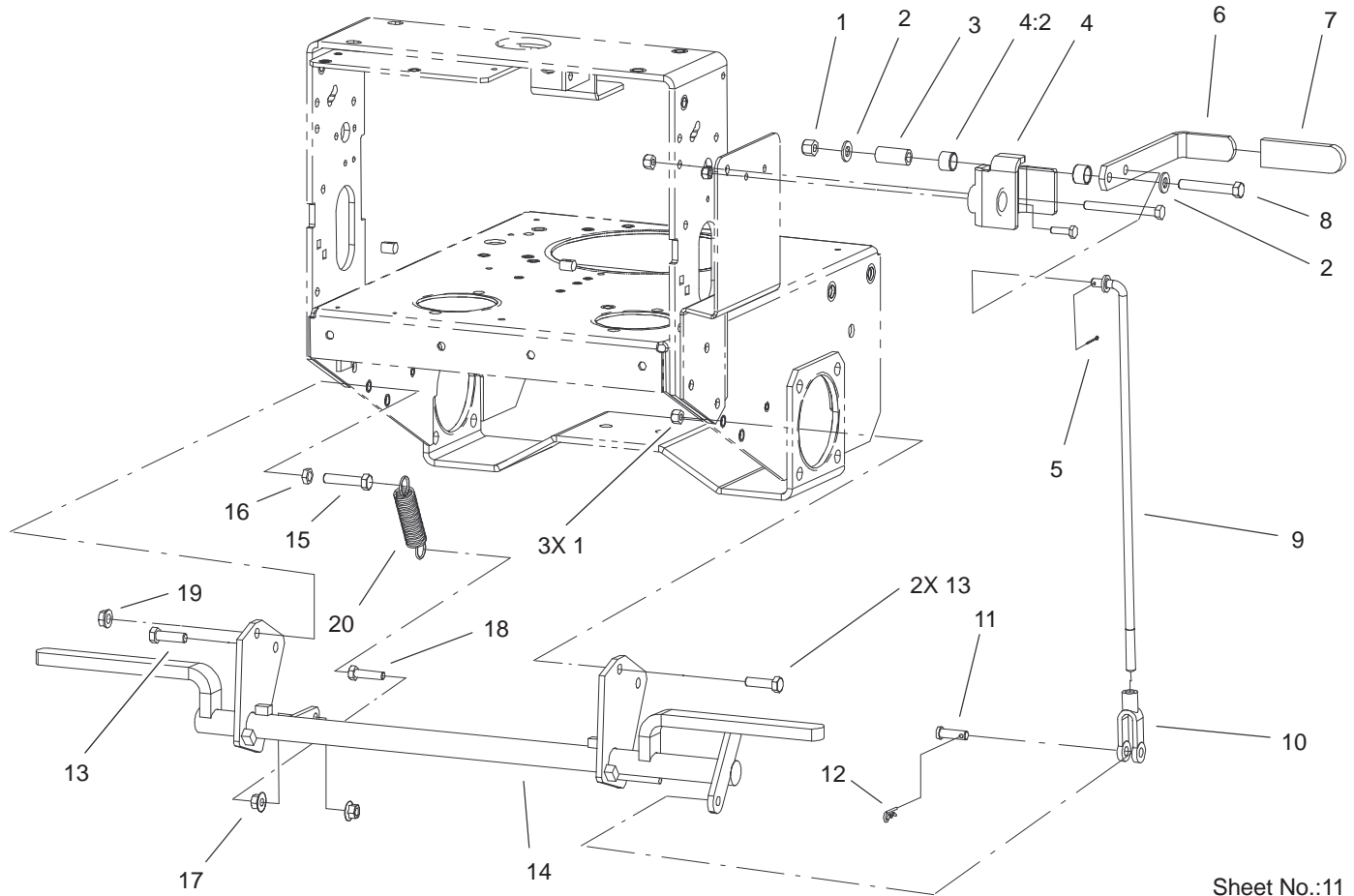


Sheet No.:9

Control Panel Assembly

Ref. No.	Part No.	Qty.	Description
1	104-8143	1	Hourmeter
2	95-1545	1	Decal - Warning Int'l
3	104-8140	1	Switch-PTO
4	74-0630	1	Control-Throttle
5	74-0720	1	Tube-Manual
6	321-3	1	Screw-HH
7	104-8141	1	Module-Delay
8	2412-120	2	R-Clamp
9	93-1187-03	1	Panel-Bottom
10	3296-42	1	Nut-Lock, NI
13	32105-14	4	Screw
14	29-5560	1	Switch-On Off
14:1	218-461	1	Nut-HH
14:2	3254-5	1	Washer-Lock, Internal
16	3296-2	4	Nut-Lock
17	32104-76	4	Screw
19	63-8360	2	Key-Ignition
20	104-8177-03	1	Panel-Control
21	104-8179	1	Decal-Control Panel
22	105-0843	1	Harness-Wire, Hourmeter

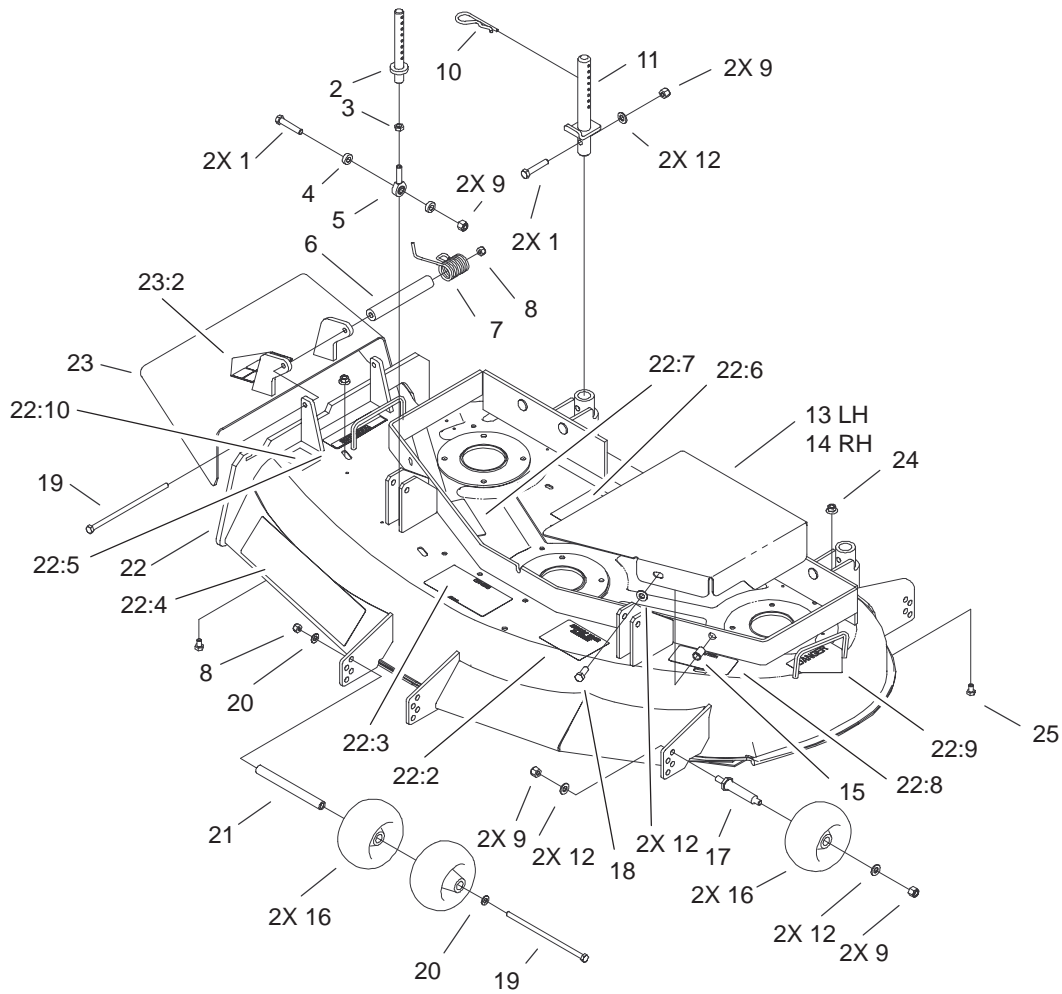
Ref. No.	Part No.	Qty.	Description



Parking Brake Assembly

Ref. No.	Part No.	Qty.	Description
1	3296-39	4	Nut-Lock, NI
2	3256-4	2	Washer-Flat
3	105-0897	1	Bushing-Pivot
4	105-2674	1	Bracket ASM W/Bushings
4:2	1-413347	2	Sleeve-Bushing
5	3272-4	1	Pin-Cotter
6	105-0881-01	1	Handle-Parking Brake
7	1-303020	1	Grip, Lever
8	323-12	1	Screw-HH
9	105-0880	1	Rod-Link
10	1-633131	1	Yoke-Linkage, Brake
11	1-808285	1	Pin-Clevis
12	3290-307	1	Pin-Hair
13	323-7	3	Screw-HH
14	105-0865-01	1	Brake ASM
15	323-9	1	Screw-HH
16	3218-3	1	Nut-Jam
17	32128-20	2	Nut-HF
18	322-6	1	Screw-HH
19	3290-357	1	Nut-Flange, Lock
20	1-323161	1	Spring, 5sp Dr Idler

Ref. No.	Part No.	Qty.	Description

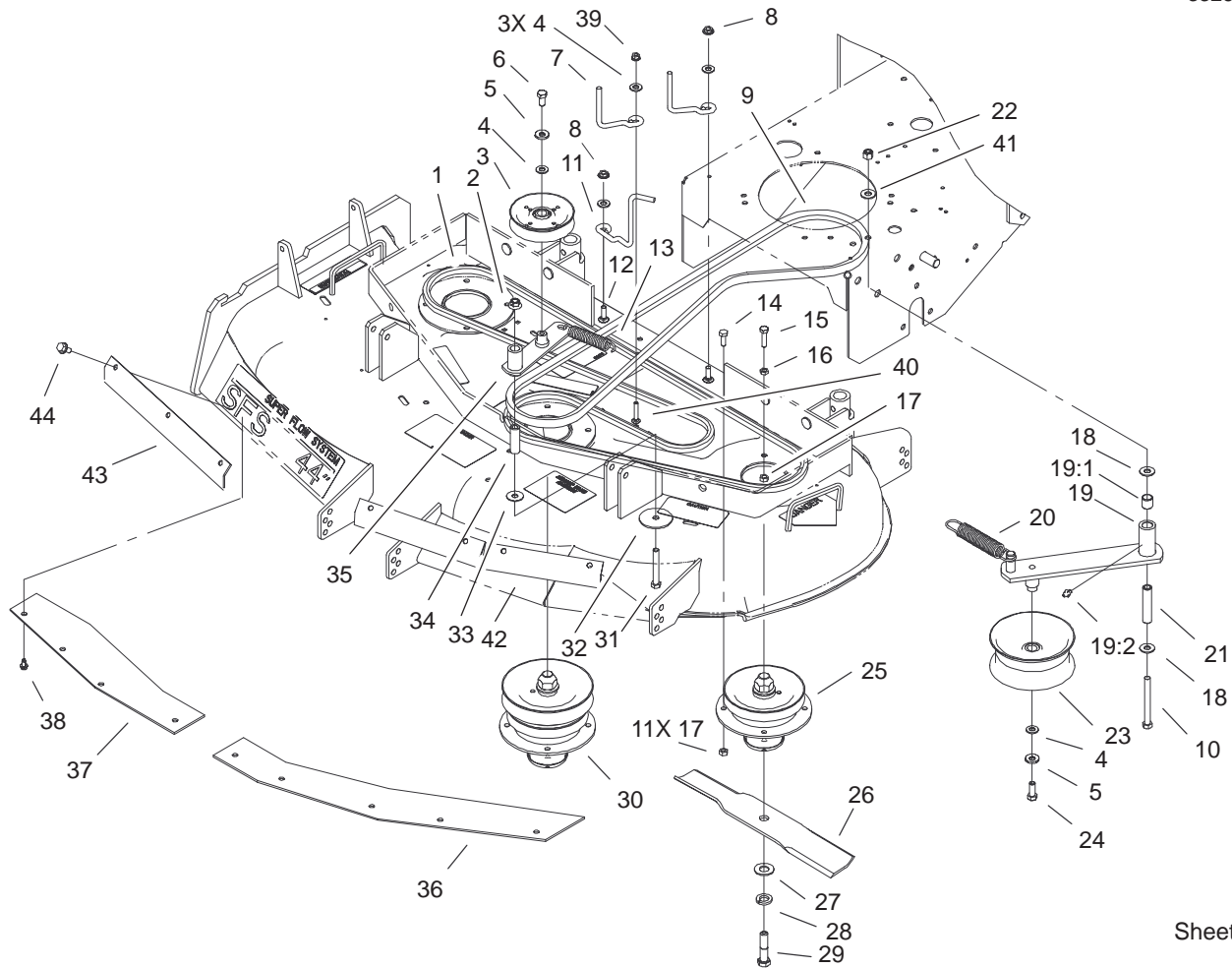


Sheet No.:2

Deck Assembly

Ref. No.	Part No.	Qty.	Description
1	323-10	4	Screw-HH
2	105-0832	2	Link-Support
3	3220-3	2	Nut-Jam
4	104-1156	4	Spacer
5	1-613204	2	Balljoint
6	104-8555	1	Spacer-Mounting, Deflector
7	104-8554	1	Spring-Torsion
8	3296-29	2	Nut-Lock
9	3296-39	8	Nut-Lock, NI
10	3290-256	6	Pin-Hair
11	105-0831	2	Rod ASM
12	3256-24	8	Washer-Flat
13	104-8117-01	1	Cover-Belt,Left
14	104-8118-01	1	Cover-Belt,Right
15	32148-10	2	Insert-Threaded
16	68-2730	4	Gage-Wheel
17	99-2842	2	Spacer-Wheel
18	323-6	2	Screw-HH
19	322-50	2	Screw-Cap
20	3256-23	2	Washer-Flat
21	98-5967	1	Spacer - Wheel
22	104-6393	1	44" Deck ASM W/Decals
22:2	105-0841	1	Decal-Anti Scalp
22:3	93-7824	1	Decal-Danger, Int'l

Ref. No.	Part No.	Qty.	Description
22:4	100-3967	1	Decal-Proline 112 Cm
22:5	93-7828	1	Decal-Danger, Int'l
22:6	104-8186	1	Decal-Belt Routing
22:7	98-1977	3	Decal-Warning
22:8	93-7818	1	Decal-Torque, Blade Bolt
22:9	93-7010	1	Decal-Danger
22:10	114621	1	Decal-Europe
23	105-0826	1	Deflector ASM W/Decal
23:2	93-7316	1	Decal-Danger, Int'l
24	32128-20	3	Nut-HF
25	322-1	3	Screw-HH

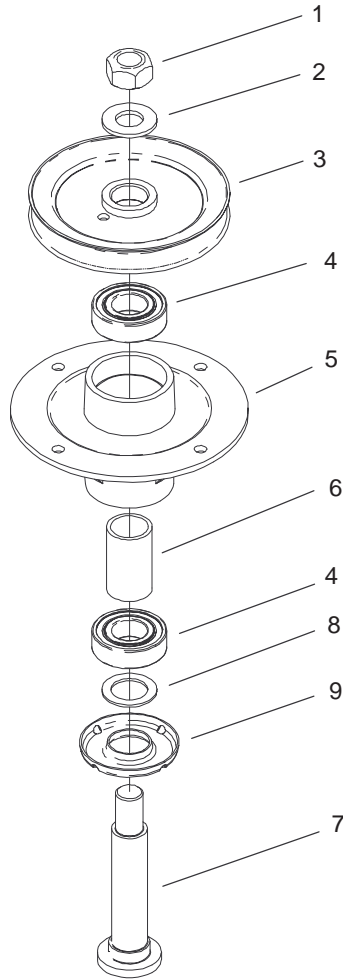


Sheet No.:3

Spindle, Idler Pulley, & Belt Assembly

Ref. No.	Part No.	Qty.	Description
1	27-1160	1	V-Belt, Deck
2	32128-19	1	Nut-HF
3	65-5940	1	Pulley-Idler
4	3256-24	5	Washer-Flat
5	98-5975	2	Washer-Belleville
6	323-4	1	Screw-HH
7	52-4780	2	Rod-Belt
8	32128-13	2	Nut-HF
9	104-8164	1	V-Belt, PTO
10	323-42	1	Screw-HH
11	105-0852	1	Guide-Belt
12	3230-2	2	Screw-CARR
13	54-2730-03	1	Spring-Extension
14	322-4	11	Screw-HH
15	322-6	1	Screw-HH
16	3218-2	1	Nut-Jam
17	32152-1	12	Nut-Lock, NI
18	1-809107	2	Washer-Hardened
19	104-6370	1	Idler Arm ASM
19:1	1-513034	2	Sleeve-Bearing
19:2	302-5	1	Fitting-Grease
20	104-8161	1	Spring-Extension
21	104-6377	1	Tube - Idler
22	3296-39	1	Nut-Lock, NI
23	1-413099	1	Pulley-Idler
24	323-6	1	Screw-HH

Ref. No.	Part No.	Qty.	Description
25	104-6316	2	Spindle Housing ASM
26	54-0010	3	Blade
27	3256-27	3	Washer-Flat
28	3253-8	3	Washer-Lock
29	51-4060	3	Screw-Blade
30	104-6318	1	Spindle Housing ASM
31	323-13	1	Screw-HH
32	20-9530	1	Washer-End
33	52-2860	1	Washer
34	104-8113	1	Tube-Idler
35	104-8110	1	Idler Arm ASM
36	100-3258-03	1	Plate-Blowout, LH
37	100-3257-03	1	Plate-Blowout, RH
38	12-3270	9	Screw
39	32128-10	1	Nut-HHF
40	3229-4	1	Screw-CARR
41	3256-4	1	Washer-Flat
42	105-2675-01	1	Guard-LH
43	105-2672-01	1	Guard-RH
44	32144-14	7	Screw-HWH

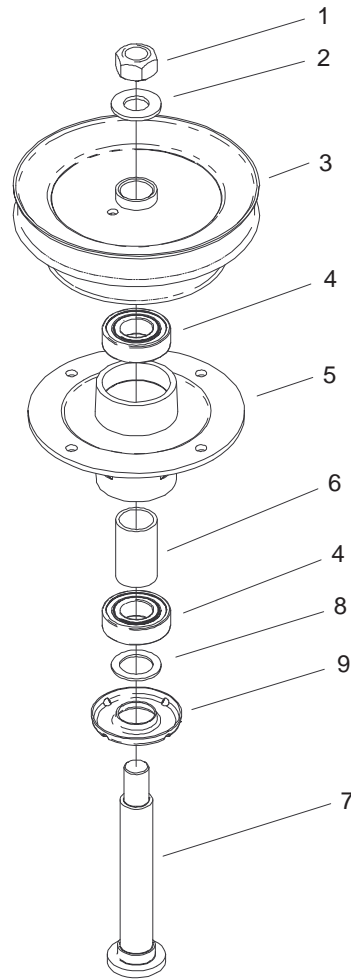


Sheet No.:A1

Spindle Assembly No. 104-6316

Ref. No.	Part No.	Qty.	Description
1	3219-7	1	Nut-Hex
2	7-4150	1	Washer-Pinion
3	104-1181	1	Pulley ASM
4	104-6325	2	Bearing
5	67-7590	1	Housing-Spindle
6	104-6312	1	Spacer-Bearing
7	104-8193	1	Shaft-Spindle
8	88-7540	1	Washer - Backup
9	79-1920	1	Shield-Bearing

Ref. No.	Part No.	Qty.	Description

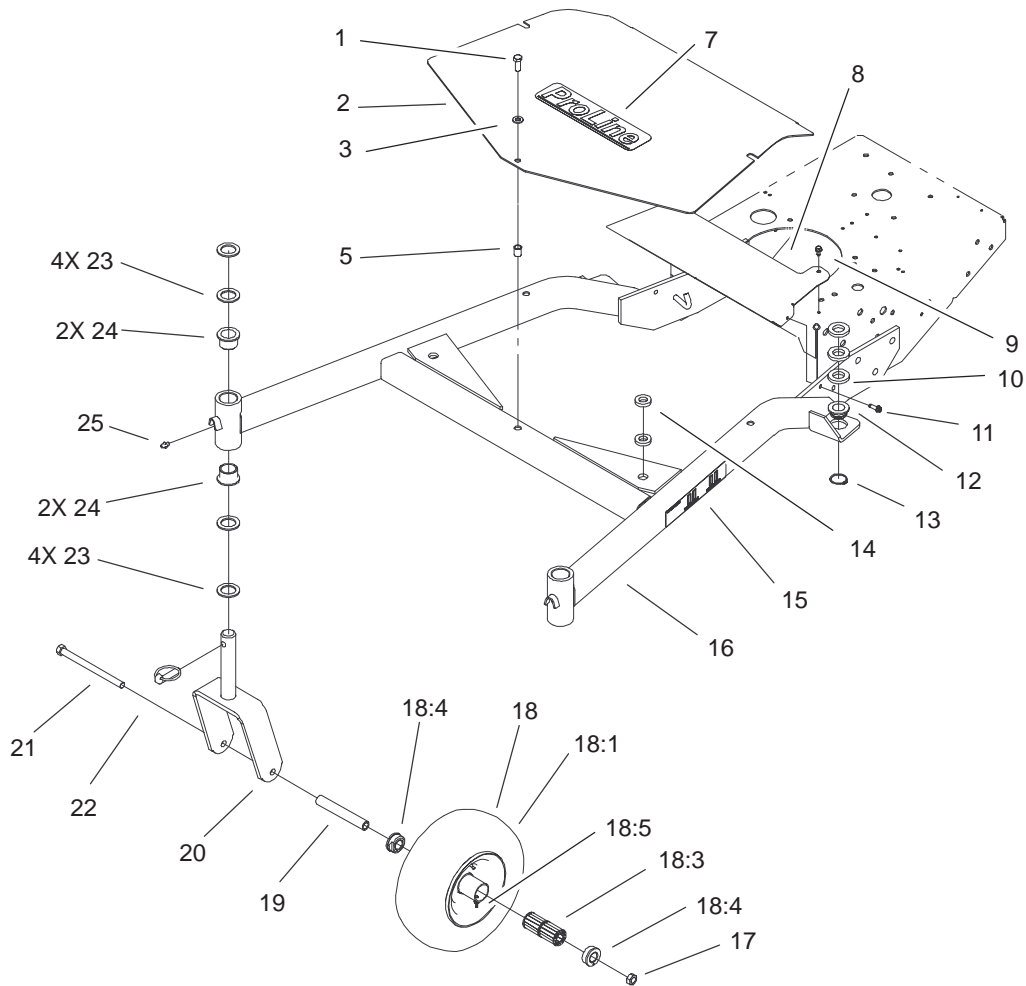


Sheet No.:A2

Spindle Assembly No. 104-6318

Ref. No.	Part No.	Qty.	Description
1	3219-7	1	Nut-Hex
2	7-4150	1	Washer-Pinion
3	104-1179	1	Pulley And Hub ASM
4	104-6325	2	Bearing
5	67-7590	1	Housing-Spindle
6	104-6312	1	Spacer-Bearing
7	104-8194	1	Shaft-Spindle
8	88-7540	1	Washer - Backup
9	79-1920	1	Shield-Bearing

Ref. No.	Part No.	Qty.	Description



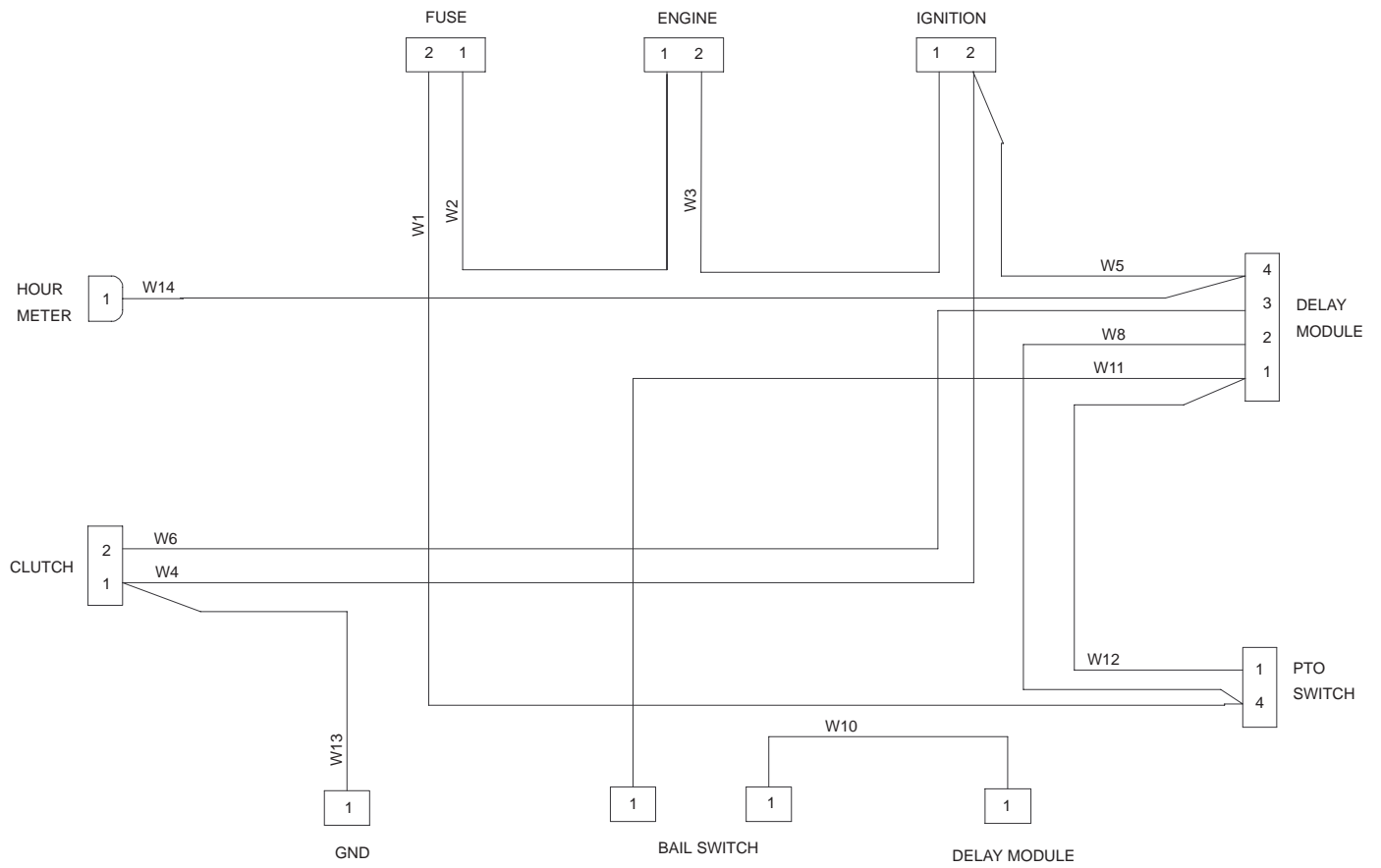
Sheet No.:4

Carrier Frame Assembly

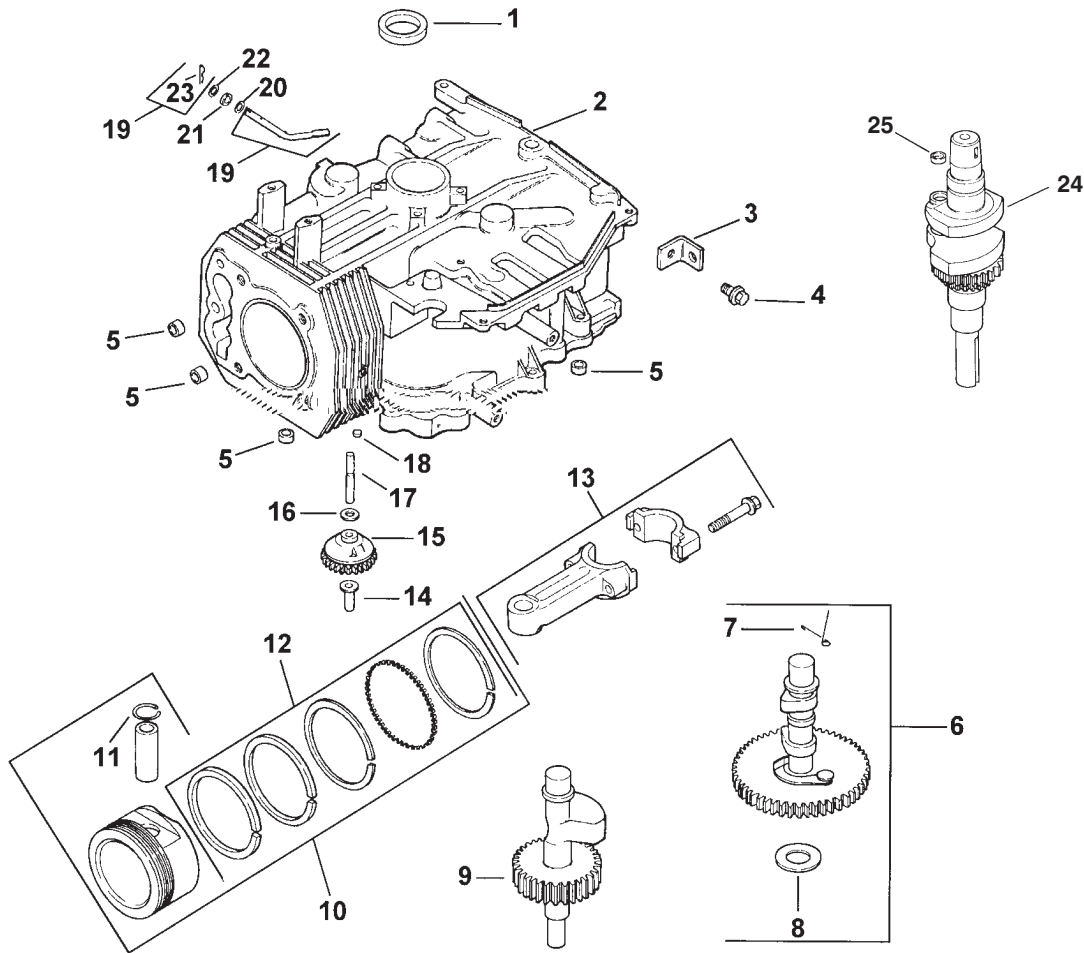
Ref. No.	Part No.	Qty.	Description
1	323-6	3	Screw-HH
2	104-8153-01	1	Cover-Carrier Frame
3	3256-24	3	Washer-Flat
5	32148-9	3	Nut-Insert
7	74-2080	1	Decal-Proline
8	105-0845-01	1	Shield-Heat
9	12-3270	2	Screw
10	104-1105	6	Spacer-Deck Support
11	49-2040	2	Screw-Tapping
12	1-513336	2	Bushing - Deck
13	32120-33	2	Ring-Retaining
14	105-0842	4	Spacer
15	104-8184	2	Decal-Height Of Cut
16	104-1109-01	1	Carrier Frame ASM
17	32153-5	2	Nut-Lock
18	104-1170	2	Castor Wheel ASM
18:1	104-1169	1	Tire And Tube ASM
18:3	62-5570	2	Bearing-Roller
18:4	62-5580	2	Bearing-Outside
18:5	302-11	1	Fitting-Lube, 45°
19	104-1189	2	Bushing-Spanner
20	104-1183-01	2	Castor Fork ASM
21	325-33	2	Screw-HH
22	283-71	2	Pin-Lynch
23	3-6781	8	Washer-Thrust

Ref. No.	Part No.	Qty.	Description
24	94-1291	4	Bushing-Special
25	302-5	2	Fitting-Grease

Electrical Schematic



Name	COLOR
W1	PINK
W2	PINK
W3	WHITE
W4	BLACK
W5	BLACK
W6	GREEN
W8	PINK
W10	BROWN
W11	ORANGE
W12	ORANGE
W13	BLACK
W14	BLACK

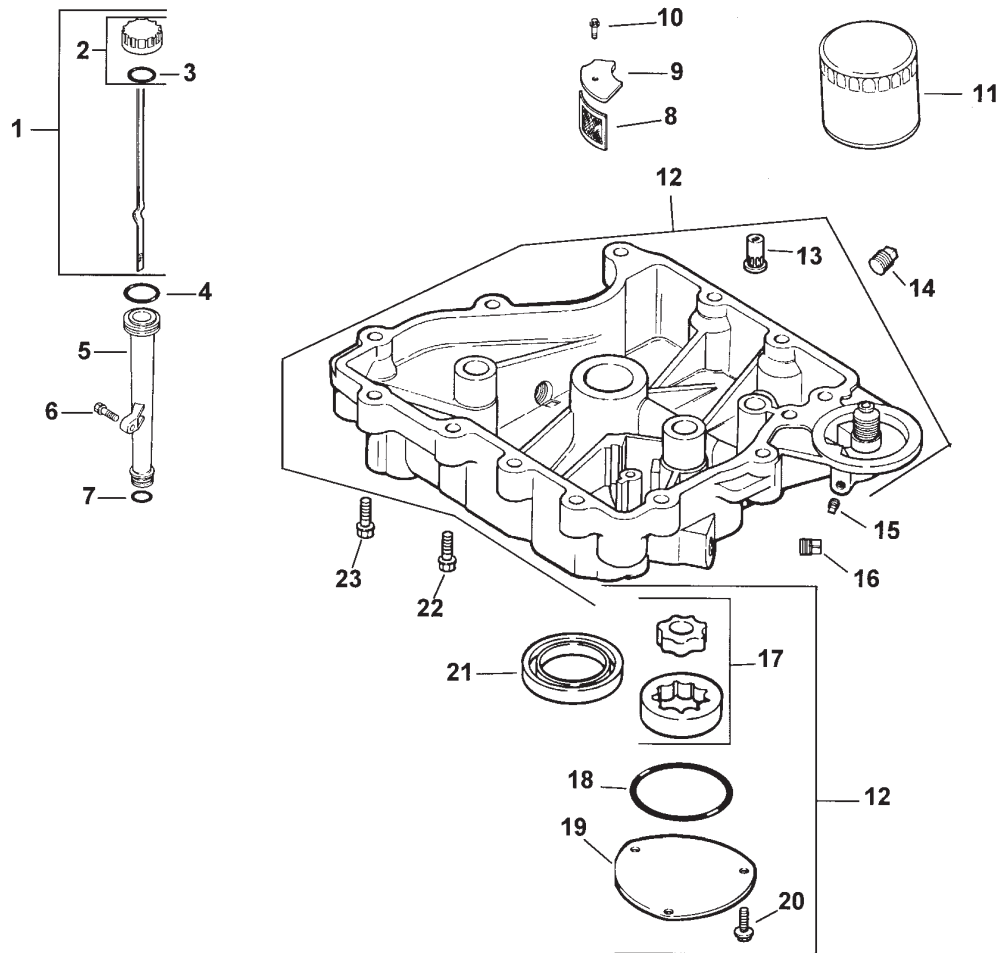


Group 2 Crankcase Assembly – Kohler Model CV15T-41607

Ref. No.	Part No.	Qty.	Description
1	12 032 03-S	1	Seal-Crankshaft
2	12 522 18-S	1	Shortblock
3	12 445 02-S	1	Strap-Lifting
4	M-839025-S	1	Screw-HF M8x1.25x22
5	24 380 13-S	4	Dowel-Locating
6	12 755 49-S	1	Kit-Camshaft (Incl.7-8)
7	12 089 31-S	1	Spring-Actuating
8	12 422 07-S	A/R	Shim-Camshaft, White
8	12 422 08-S	1	Shim-Camshaft, Blue
8	12 422 09-S	A/R	Shim-Camshaft, Red
8	12 422 10-S	A/R	Shim-Camshaft, Yellow
8	12 422 11-S	A/R	Shim-Camshaft, Green
8	12 422 12-S	A/R	Shim-Camshaft, Gray
8	12 422 13-S	A/R	Shim-Camshaft, Black
9	12 144 27-S	1	Shaft-Balance
10	12 874 07-S	1	Piston w/Ring Set STD (Incl. 11,12)
10	12 874 08-S	1	Set-Piston w/Ring .25
10	12 874 09-S	1	Set-Piston w/Ring .50
10	12 874 11-S	1	Set-Piston w/Ring .08
11	12 018 02-S	2	Retainer-Piston Pin
12	12 108 07-S	1	Ring Set STD
12	12 108 08-S	1	Ring Set .25
12	12 108 09-S	1	Ring Set .50

Ref. No.	Part No.	Qty.	Description
13	12 067 05-S	1	Rod-Connecting, STD
13	12 067 06-S	1	Rod-Connecting .25
14	12 380 01-S	1	Pin-Governor Regulating
15	12 043 05-S	1	Gear-Governor
16	M-631005-S	1	Washer-Plain, 6mm
17	12 144 02-S	1	Shaft-Governor Gear
18	52 139 09-S	1	Plug-Cup
19	12 755 64-S	1	Kit-Governor Cross Shaft (Incl. 23)
20	X-25-102-S	1	Washer-Plain, 1/4
21	12 032 01-S	1	Seal-Governor Cross Shaft
22	M-631015-S	1	Washer-Plain, 6mm
23	12 154 05-S	1	Clip-Hitch Pin
24	12 014 30-S	1	Crankshaft ASM (Incl. 25)
25	12 139 01-S	1	Plug-Cup
*	12 755 93-S	1	Set-Gasket

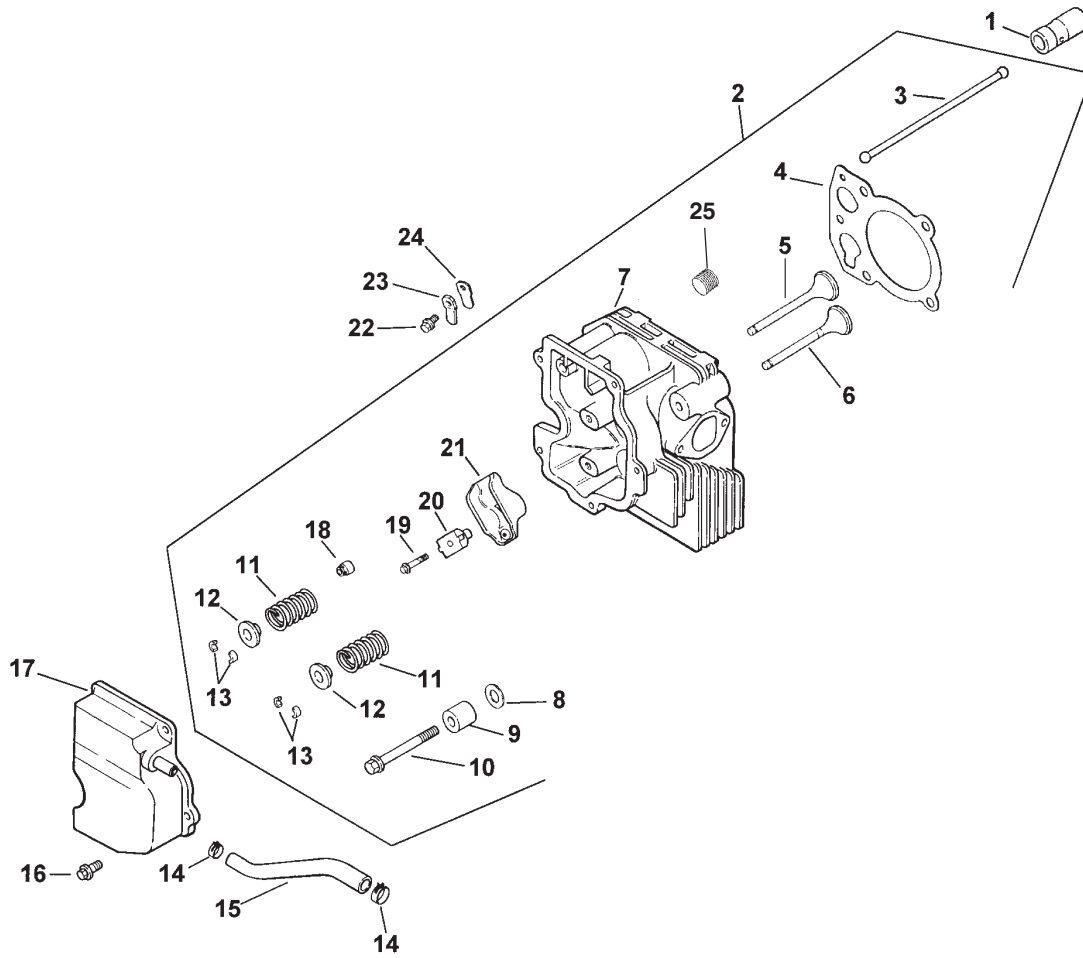
* Not illustrated
Order Parts from Kohler



Group 3 Oil Pan/Lubrication Assembly Kohler Model CV15T-41607

Ref. No.	Part No.	Qty.	Description	Ref. No.	Part No.	Qty.	Description
1	12 038 01-S	1	Dipstick ASM(Incl. 2-3)	19	12 096 34-S	1	Cover-Oil Pump
2	25 755 13-S	1	Kit-Oil Fill Cap (Incl. 3)	20	M-545016-S	3	Screw-HF, M5x0.8x16
3	12 153 03-S	1	O Ring-Dipstick	21	12 032 03-S	1	Seal-Oil (PTO End)
4	12 153 02-S	1	O Ring-Upper Oil Fill Tube	22	24 086 16-S	11	Screw-HF, M8x1.25x45
5	12 123 04-S	1	Tube-Oil Fill	23	24 086 17-S	1	Screw-HF, M8x1.25x45
6	M-545020-S	1	Screw-HF, M5x0.8x20				
7	12 153 01-S	1	O Ring-Lower Oil Fill Tube				
8	25 162 07-S	1	Screen-Oil Pickup				
9	12 096 03-S	1	Cover-Oil Pickup Screen				
10	M-545016-S	1	Screw-HF, M5x0.8x16				
11	52 050 02-S	1	Filter-Oil				
12	12 199 50-S	1	Pan ASM - Oil (Incl.13, 17-20)				
13	25 462 09-S	1	Valve-Oil Pressure Relief				
14	25 139 57-S	1	Plug-Pipe, 3/8 SH				
15	25 139 52-S	1	Plug-Pipe, 1/8				
16	25 139 62-S	1	Plug-Pipe, 3/8 HSH				
17	12 393 01-S	1	Pump-Oil				
18	12 153 06-S	1	O Ring-Oil Pump Cover				

Order Parts From Kohler

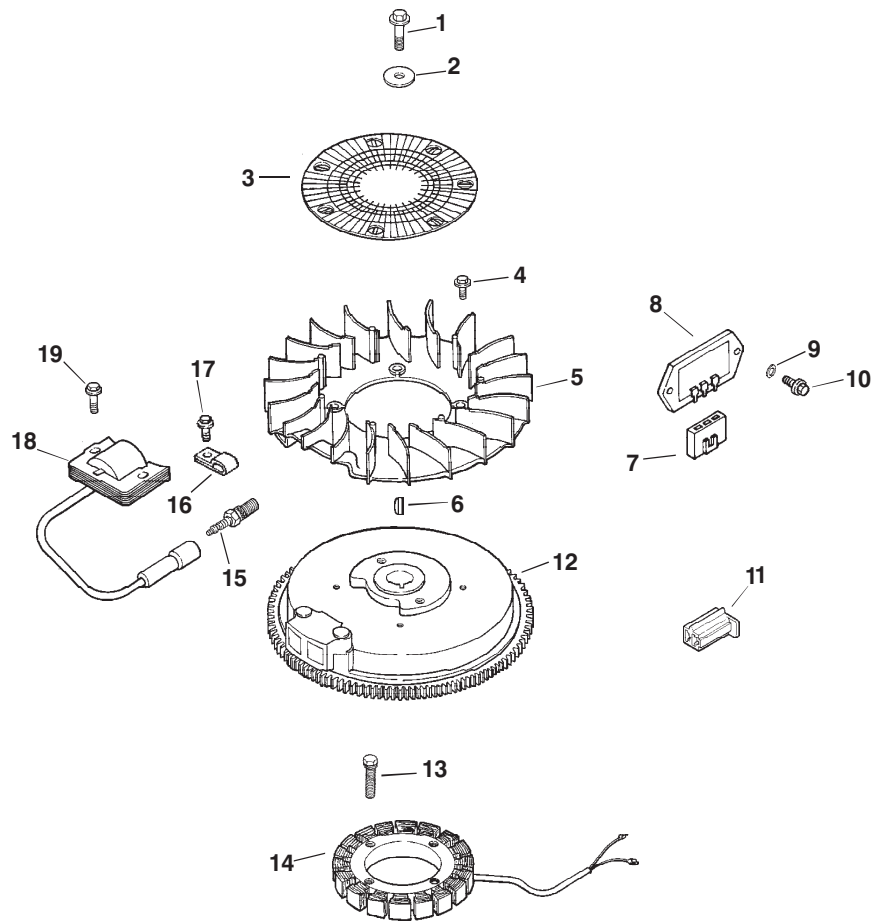


Group 4 Head/Valve/Breather Assembly Kohler Model CV15T-41607

Ref. No.	Part No.	Qty.	Description
1	12 351 01-S	2	Lifter-Valve
2	12 755 81-S	1	Kit-Cylinder Head (Incl. 3-13, 18-21, 25, Carburator Gasket 12 041 01-S(2), Exhaust Manifold Gasket 12 041 03-S, Air Cleaner Gasket 12 041 02-S)
3	12 411 01-S	2	Rod-Push
4	12 041 10-S	1	Gasket-Cylinder Head
5	12 017 01-S	1	Valve-Intake STD
5	12 017 02-S	1	Valve-Intake .25
6	12 016 01-S	1	Valve-Exhaust STD
6	12 016 02-S	1	Valve-Exhaust, .25
7	12 318 19-S	1	Head - Cylinder
8	12 468 05-S	1	Washer-Plain 13/32
9	12 112 13-S	1	Spacer-Head Bolt Exhaust Port
10	12 086 15-S	5	Screw-HF M10x1.5x81
11	12 089 01-S	2	Spring-Valve
12	12 173 01-S	2	Cap-Valve Spring
13	12 755 03-S	2	Kit-Retainer
14	25 237 14-S	2	Clamp-Hose

Ref. No.	Part No.	Qty.	Description
15	12 326 03-S	1	Hose-Breather
16	M-645020-S	3	Screw-HF M6x1.0x20
17	12 096 07-S	1	Cover-Valve w/Nipple
18	24 032 05-S	1	Seal-Valve Stem
19	M-640034-S	2	Screw-HF M6x1.0x34
20	12 599 03-S	2	Pivot-Rocker Arm
21	25 186 01-S	2	Arm-Rocker
22	M-545010-S	1	Screw-HF M5x0.8x10
23	12 018 01-S	1	Retainer-Breather Reed
24	12 402 02-S	1	Reed-Breather
25	25 139 60-S	1	Plug-Pipe, HSH 1/8

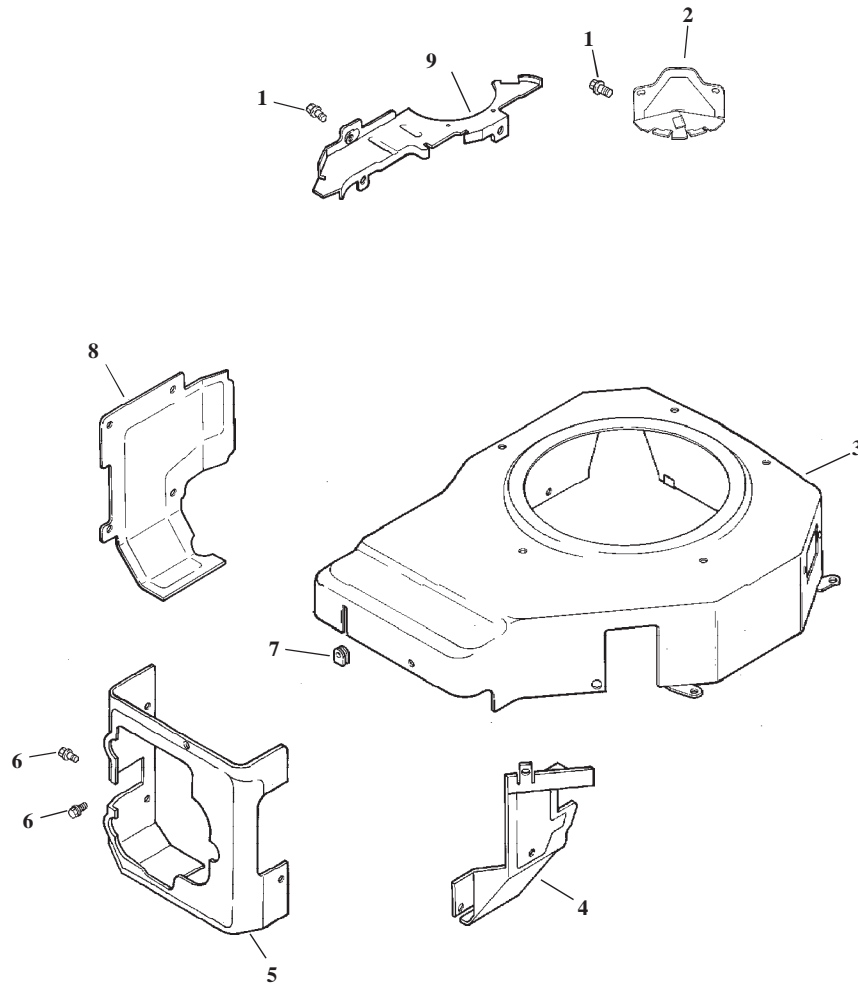
Order Parts From Kohler



Group 5 Ignition/Electrical Assembly Kohler Model CV15T-41607

Ref. No.	Part No.	Qty.	Description	Ref. No.	Part No.	Qty.	Description
1	12 086 14-S	1	Screw-HF,M10x1.5x46				
2	12 468 03-S	1	Washer-Plain, 3/8	*	12 518 01-S	1	Tab Terminals) Lead-White, Ground To Kill, (19"-18 Gauge Fully Insulated Push On Tab and Uninsulated Push On Tab Terminals
3	12 162 03-S	1	Screen-Grass				
4	25 086 47-S	4	Bolt-Shoulder				
5	12 157 03-S	4	Fan				
6	X-42-15-S	1	Key				
7	236602-S	1	Connector-Rectifier, Regulator(3 contact)	*	25 518 12-S	1	Lead-Black,Ground, (5"-12Gauge-Insulated Grip Barrel Eyelet Terminals
8	12 403 01-S	1	Rectifier-Unregulated, 15 amp				
9	X-22-11-S	2	Washer - Lock				
10	M-639016-S	2	Screw-HF, M6x1.0x16				
11	41 155 03-S	1	Connector				
12	12 025 33-S	1	Flywheel				
13	M-548025-S	2	Screw-HH M5x0.8x25				
14	237878-S	1	Kit-Stator, 15 Amp				
15	12 132 06-S	1	Spark Plug				
16	X-728-1-S	2	Clip-Cable				
17	M-545010-S	2	Screw-HF, M5x0.8x10				
18	12 584 05-S	1	Module-Ignition				
19	M-545020-S	2	Screw-HF, M5x0.8x20				
*	25 518 05-S	1	Lead-Black, Rectifier/ Regulator,(5"-14Gauge Uninsulated Push On				

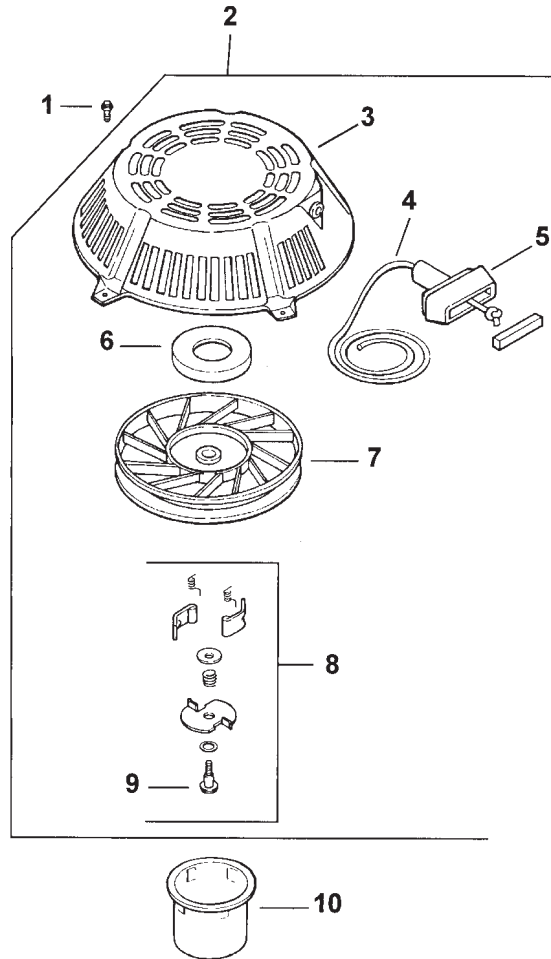
* Not illustrated
Order Parts From Kohler



Group 6 Blower Housing Assembly Kohler Model CV15T-41607

Ref. No.	Part No.	Qty.	Description	Ref. No.	Part No.	Qty.	Description
1	M-550010-S	6	Screw-HF, M5x0.8x10				
	12 096 29-S	1	Cover-Starter				
3	12 027 68-S	1	Housing-Blower				
4	12 063 10-S	1	Baffle-Intake, Side				
5	12 063 08-S	1	Baffle-Cylinder Head				
6	M-545010-S	9	Screw-HF, M5x0.8x10				
7	12 313 03-S	1	Grommet-Spark Plug leads				
8	12 063 19-S	1	Baffle-Cylinder				
9	12 146 07-S	1	Plate-Blower Housing				
*	12 146 21-S	1	Decal-Horsepower				

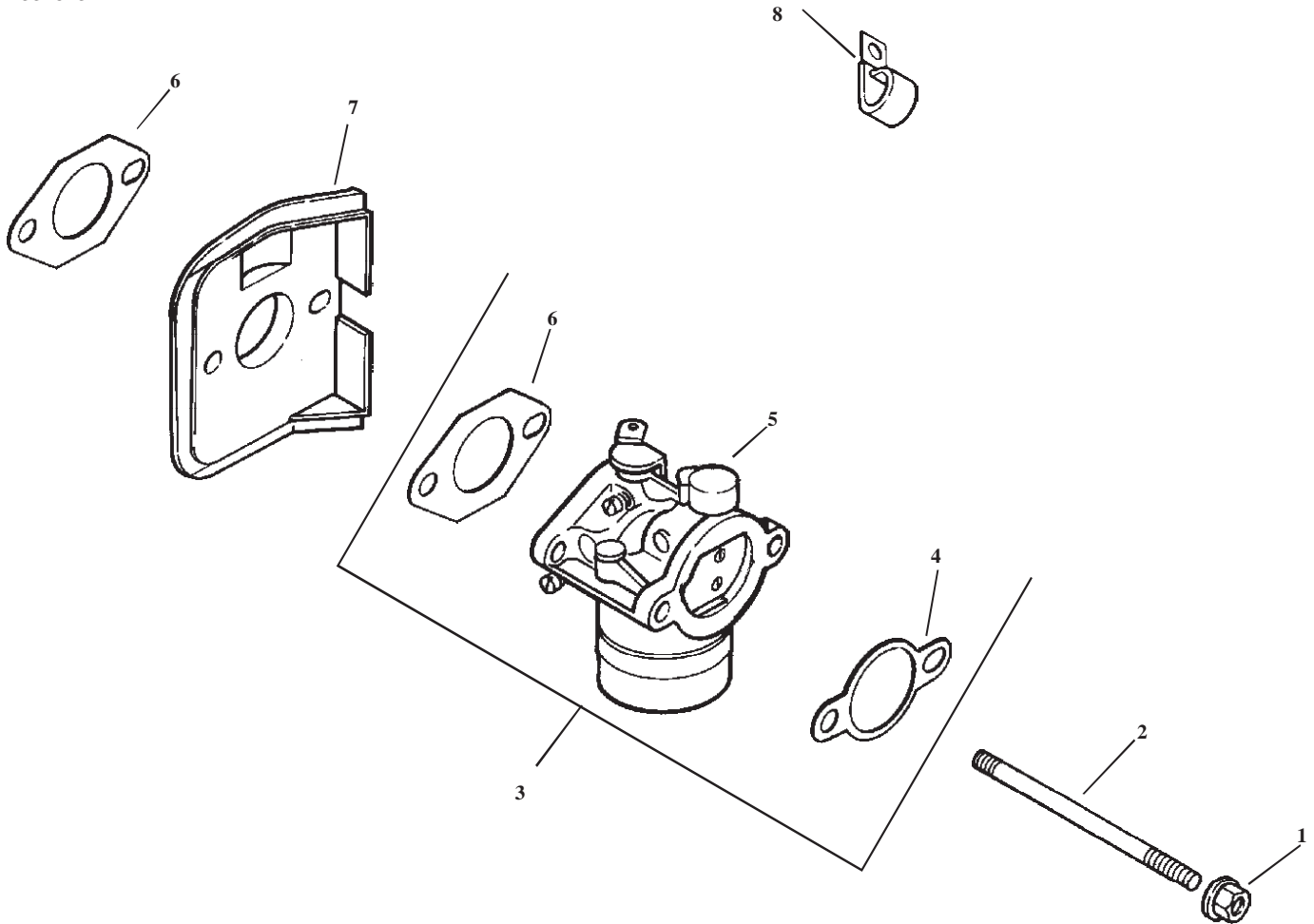
* Not illustrated
Order Parts From Kohler



Group 7 Starter Assembly Kohler Model CV15T-41607

Ref. No.	Part No.	Qty.	Description	Ref. No.	Part No.	Qty.	Description
1	M-550010-S	5	Screw-HF, M5x0.8x10				
2	12 165 01-S	1	Starter ASM				
			Retractable (Incl. 3-9)				
3	12 081 01-S	1	Housing-Starter				
4	12 160 01-S	1	Rope-Starter				
5	25 166 01-S	1	Handle-Recoil				
6	12 089 06-S	1	Spring & Keeper				
7	12 093 01-S	1	Pulley				
8	12 757 06-S	1	Kit-Dog Repair (incl. 9)				
9	41 086 09-S	1	Screw-Posidrive				
10	15 109 01-S	1	Cup-Drive				
*	12 113 07-S	1	Decal-Starting				

* Not illustrated
Order Parts From Kohler

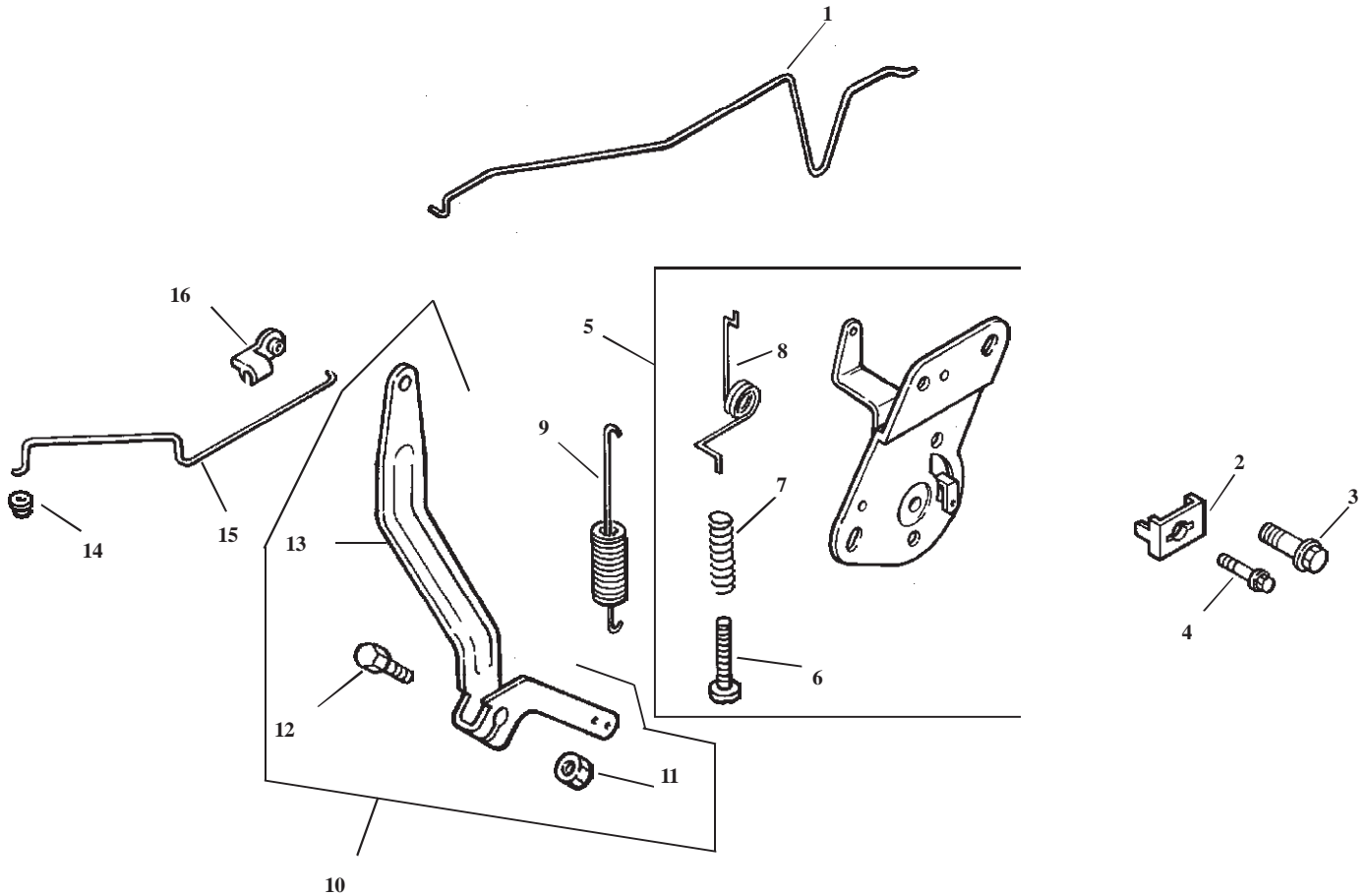


Group 8 Fuel System Assembly Kohler Model CV15T-41607

Ref. No.	Part No.	Qty.	Description
1	M-641060-S	2	Nut-HF M6x1.0
2	M-629116-S	2	Stud M6x1.0x116
3	12 853 80-S	1	Kit-Carburetor w/Gaskets (Incl. 4-6)
4	12 041 02-S	1	Gasket-Air Cleaner
5	12 053 80	1	Carburetor ASM (For Information Only Not Available Separately) (Service With Kits 12 757 02-S Float Kit 12 757 03-S Carb. Repair Kit and 12 757 08-S Choke Repair Kit)
6	12 041 01-S	2	Gasket-Carburetor
7	12 265 04-S	1	Deflector-Heat
8	47 154 01-S	1	Clip-Cable
*	12 757 02-S	1	Kit-Float
*	12 757 08-S	1	Kit-Choke Repair
*	12 757 03-S	1	Kit-Carburetor Repair

Ref. No.	Part No.	Qty.	Description

* Not illustrated
Order Parts From Kohler

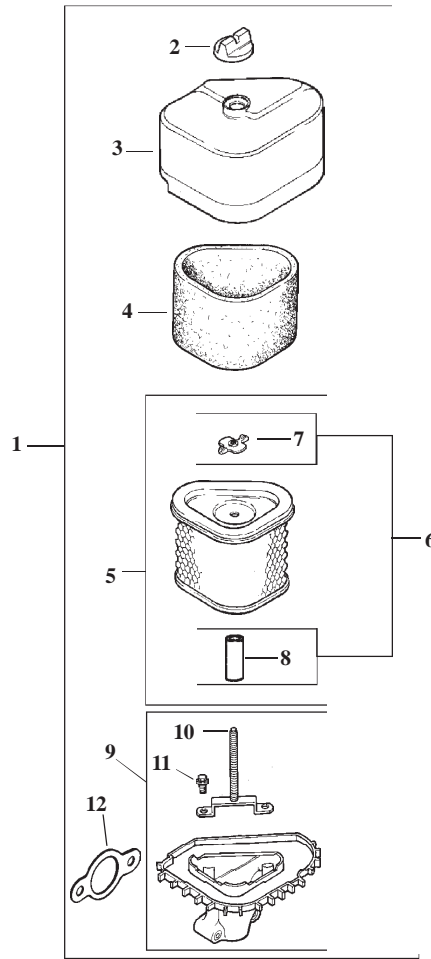


Group 9 Engine Control Assembly Kohler Model CV15T-41607

Ref. No.	Part No.	Qty.	Description
1	12 079 07-S	1	Linkage-Choke
2	12 237 01-S	1	Clamp-Cable
3	M-664020-S	2	Screw-Lobed Socket M6x1.0x20
4	M-545016-S	1	Screw-HF M5x .08x16
5	12 536 01-S	1	Control-Speed ASM (Incl. 6-8)
6	M-443025-S	1	Screw-SPH, M4x0.7x25
7	12 089 11-S	1	Spring-Choke Adjustment
8	12 089 23-S	1	Spring-Choke Return
9	12 089 32-S	1	Spring-Governor
10	12 755 83-S	1	Kit - Governor Lever (Incl. 11-13)
11	12 100 07-S	1	Nut-HF
12	52 211 04-S	1	Bolt - Round HD
13	12 090 28-S	1	Lever-Governor
14	25 158 08-S	1	Bushing-Linkage Retaining
15	12 079 01-S	1	Linkage-Throttle
16	25 158 11-S	1	Bushing-Throttle Linkage

Ref. No.	Part No.	Qty.	Description

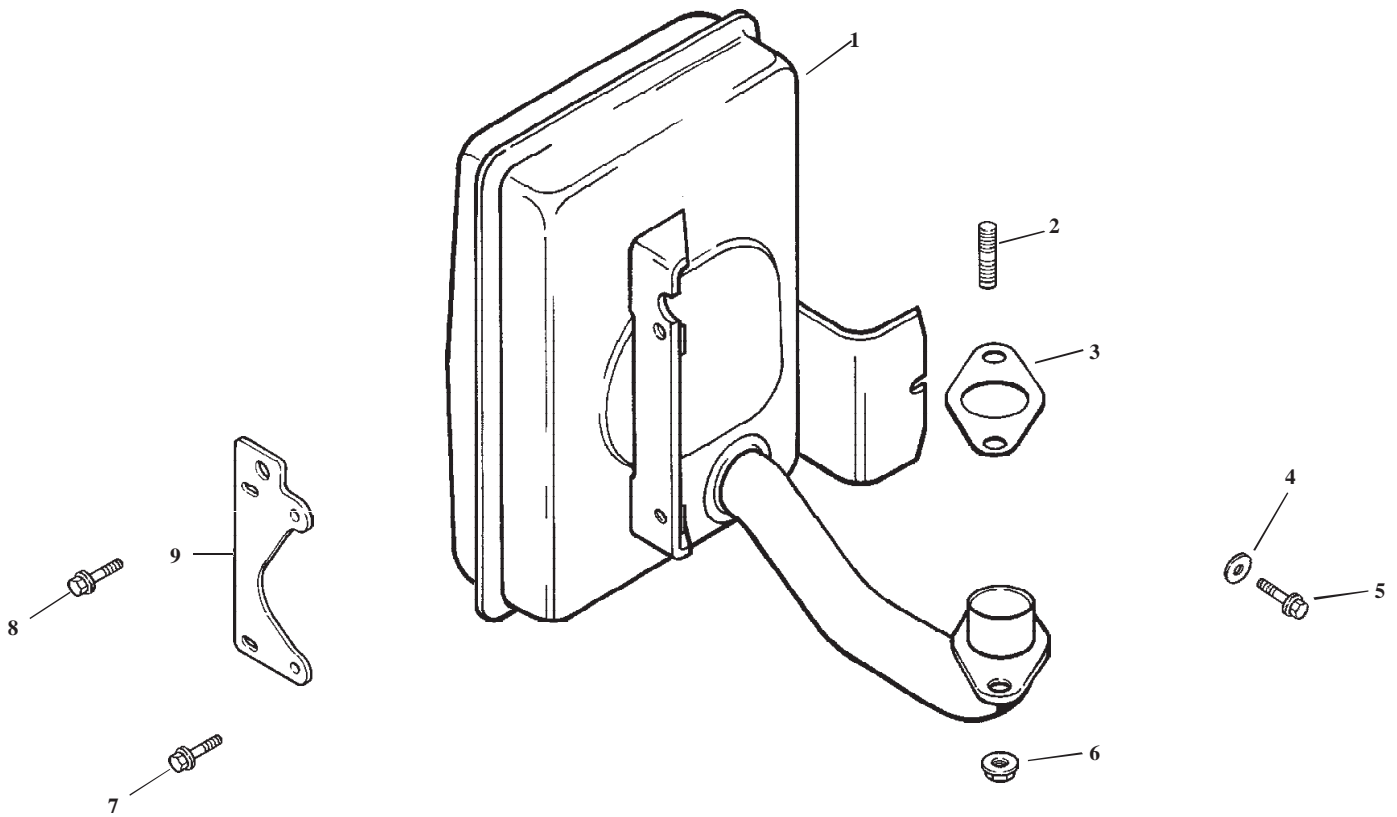
Order Parts From Kohler



Group 10 Air Intake/Filtration Assembly Kohler Model CV15T-41607

Ref. No.	Part No.	Qty.	Description	Ref. No.	Part No.	Qty.	Description
1	12 743 02-S	1	Kit-Air Cleaner (Incl. 2-12)				
2	25 341 03-S	1	Knob-Air Cleaner Cover				
3	12 096 38-S	1	Cover-Air Cleaner				
4	12 083 12-S	1	Element-Precleaner				
5	12 083 10-S	1	Element-Air Cleaner (Incl. 6-8)				
6	12 743 12-S	1	Kit-Seal (Incl. 7-8)				
7	12 100 08-S	1	Nut-Wing				
8	12 032 11-S	1	Seal				
9	12 094 07-S	1	Base-Air Cleaner (Incl. 10,11)				
10	12 072 04-S	1	Stud-M6x1.0x66				
11	12 086 01-S	2	Screw-#10 Hi-Lo Thread Forming				
12	12 041 02-S	1	Gasket-Air Cleaner				
*	12 113 04-S	1	Decal-Air Cleaner				

* Not illustrated
Order Parts From Kohler



Group 11 Exhaust Assembly Kohler Model CV15T-41607

Ref. No.	Part No.	Qty.	Description
1	12 068 44-S	1	Muffler
2	25 072 04-S	2	Stud M8x1.25x33
3	12 041 03-S	1	Gasket-Exhaust Manifold
4	X-25-78-S	1	Washer-Plain, 1/4
5	M-545016-S	1	Screw-HF, M5x0.8x16
6	M-841080-S	2	Nut-HF, M8x1.25
7	M-645016-S	2	Screw-HF, M6x1.0x16
8	M-645025-S	2	Screw-HF, M6x1.0x25
9	12 126 71-S	1	Bracket-Muffler

Ref. No.	Part No.	Qty.	Description

Obtain Parts From Kohler

