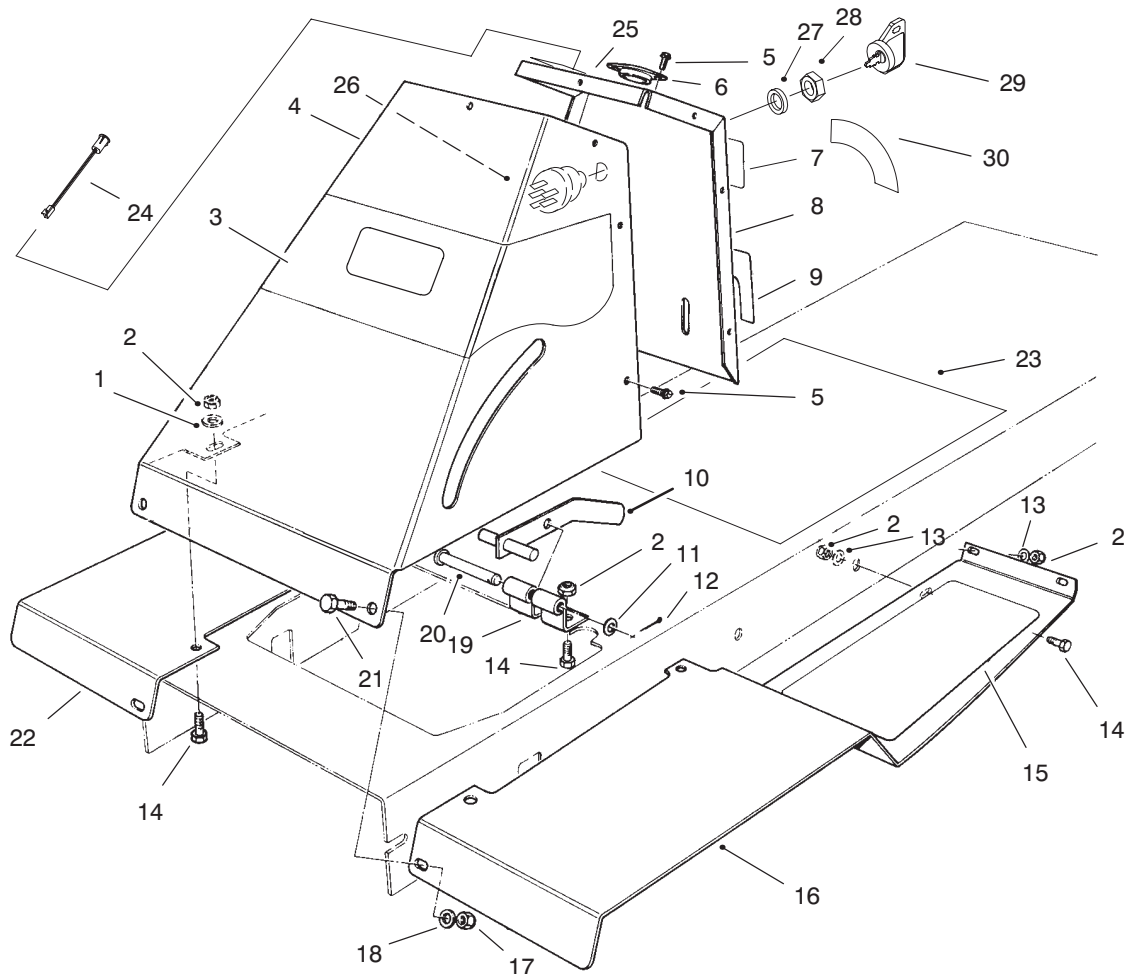




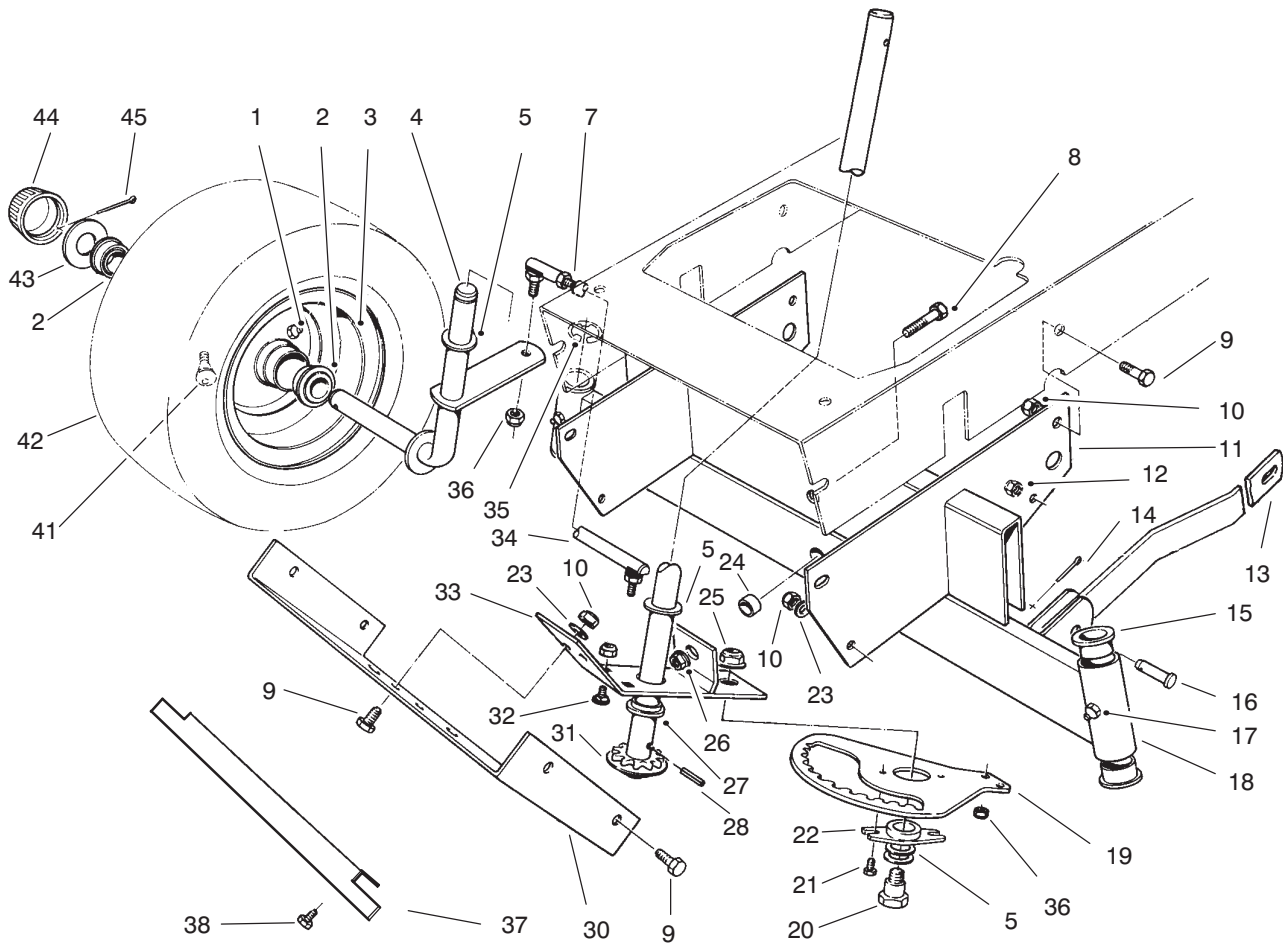
MODEL NO. 70089-21000001 &amp; UP

**PARTS  
CATALOG**
**WHEEL HORSE®  
1232 Recycler® Riding Mower**


C-1933

**FRONT TOWER ASSEMBLY**

Ref. No.	Part No.	Description	No. Used	Ref. No.	Part No.	Description	No. Used
1	3256-35	Washer - Flat	4	18	3256-22	Washer - Flat	2
2	3296-29	Nut - Lock	14	19	47-2060-03	Bracket - Brake, Parking	1
3	100-6205	Decal - Recycler	1	20	283-52	Pin - Clevis	1
4	56-7130-01	Tower - Front	1	21	321-4	Screw - Cap Hex. Hd.	2
5	32104-76	Screw - Self Tap Acorn Hd.	9	22	47-0930-01	Footrest - R.H.	1
6	56-7170	Guide - Shaft, Steering	1	23	99-6093	Decal - Instruction	1
7	92-8946	Decal - Danger	1	24	95-7652	Light - Indicator	1
8	99-2965-03	Tower - Rear	1	25	99-2981	Decal - Indicator Light	1
9	56-7810	Decal - Brake, Parking	1	26	88-9830	Switch - Ignition (Incl. Ref. #27 & 28)	1
10	47-1290-03	Brake - Parking	1	27	3254-5	Washer - Int. Lock	1
11	3256-24	Washer - Flat	1	28	218-461	Nut - Lock	1
12	3272-6	Pin - Cotter	1	29	63-8360	Key - Ignition	1
13	3256-23	Washer - Flat	8	30	99-6825	Decal - Ignition	1
14	322-5	Screw - Cap Hex. Hd.	10	*	12-8829	Loose Parts	1
15	92-7975	Tread - Foot L.H.	1	*	12-8819	Loose Parts (Includes Steering Wheel)	1
*	92-7974	Tread - Foot R.H.	1				
16	47-0940-01	Footrest - L.H.	1				
17	3296-42	Nut - Lock	2				



C-0438C

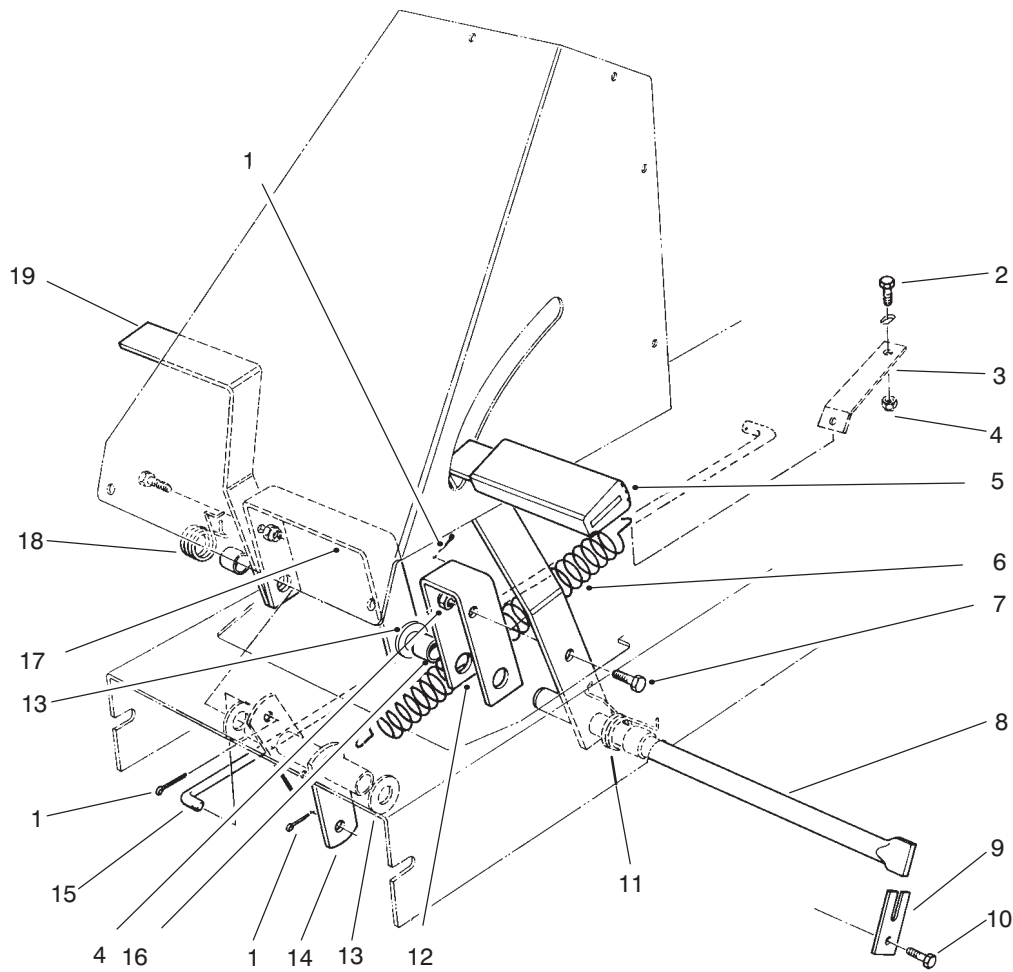
## FRONT AXLE ASSEMBLY

Ref. No.	Part No.	Description	No. Used
1	302-5	Fitting - Grease	2
2	110513	Bearing	4
3	217-80	Rim	2
4	47-0600-01	Spindle - R.H.	1
*	47-0590-01	Spindle - L.H.	1
5	3-6498	Washer - Thrust	5
7	3220-2	Nut - Hex. Jam	1
8	325-6	Screw - Cap Hex. Hd.	1
9	322-5	Screw - Cap Hex. Hd.	8
10	3296-29	Nut - Lock	8
11	47-0760-01	Support - Axle, Front	1
12	3296-8	Nut - Lock	1
13	47-0010-01	Arm - Suspension, Front	2
14	3272-6	Pin - Cotter	2
15	27-9080	Bearing - Flange	4
16	283-2	Pin - Clevis	2
17	302-49	Fitting - Grease	2
18	80-2430	Axle - Front (Incl. Ref. #15 & 17)	1
19	80-2450-03	Rack - Steering	1
20	56-7530	Bolt - Shoulder	1
21	32144-4	Screw - Special	2
22	56-7520	Bushing - Sector	1
23	3256-23	Washer - Flat	6

Ref. No.	Part No.	Description	No. Used
24	28-0380	Spacer - Axle, Front	1
25	32128-21	Nut - Lock, Flange Hd.	1
26	32128-23	Nut - Lock, Flange Hd.	1
27	47-0700	Bearing - Flange	1
28	32121-9	Pin - Roll	1
30	56-7180-01	Cover - Front	1
31	56-7500	Shaft - Steering	1
32	3230-18	Bolt - Carriage	2
33	56-7470	Bracket - Rack, Steering (Incl. Ref. #27)	1
34	47-0610	Tie Rod - Adjustable (Incl. Ref. #7)	1
*	80-2460	Tie Rod - Fixed	1
35	32151-48	Ring - Retaining, External	2
36	3296-4	Nut - Lock	4
37	92-0876-01	Guard - Front	1
38	32144-14	Screw - Thread Forming	2
41	232-27	Valve Stem w/Cap	2
42	99-2990	Tire	2
43	28-2480	Washer	2
44	61-9780	Cap - Hub	2
45	3272-12	Pin - Cotter	2
†	232-44	Tube - Inner	2

\*Not Illustrated

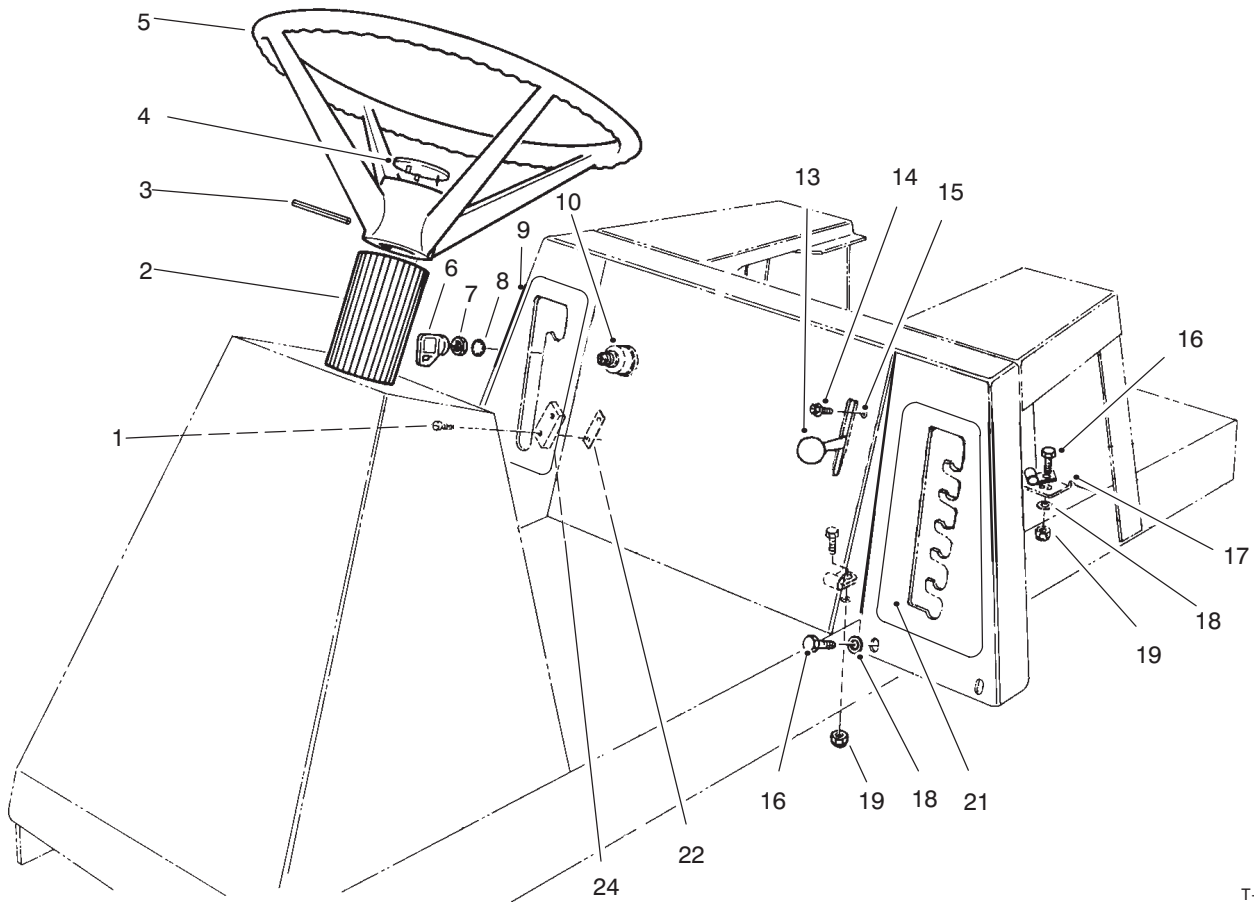
†Service Replacement Part



C-0439A

## BRAKE & CLUTCH ASSEMBLY

Ref. No.	Part No.	Description	No. Used	Ref. No.	Part No.	Description	No. Used
1	3272-6	Pin - Cotter	3	11	56-7070	Spring - Torsion, Clutch	1
2	322-5	Screw - Cap Hex. Hd.	1	12	47-0560-03	Bracket - Clutch, Pedal	1
3	56-7240	Bracket - Retaining, Spring	1	13	3256-27	Washer - Flat	3
4	3296-29	Nut - Lock	3	14	56-7650-03	Tube - Pivot	1
5	65-2920	Pad - Pedal, Foot	2	15	56-7570	Rod - Engagement	1
6	62-3930	Spring - Extension	1	16	47-0570	Spacer - Pedal	3
7	322-5	Screw - Cap Hex. Hd.	2	17	47-0550-03	Bracket - Brake, Pedal	1
8	47-0770	Shaft - Pivot, Pedal	1	18	56-7080	Spring - Torsion, Brake	1
9	47-0780	Retainer - Shaft	1	19	47-0540-03	Pedal	2
10	321-4	Screw - Cap Hex. Hd.	1				

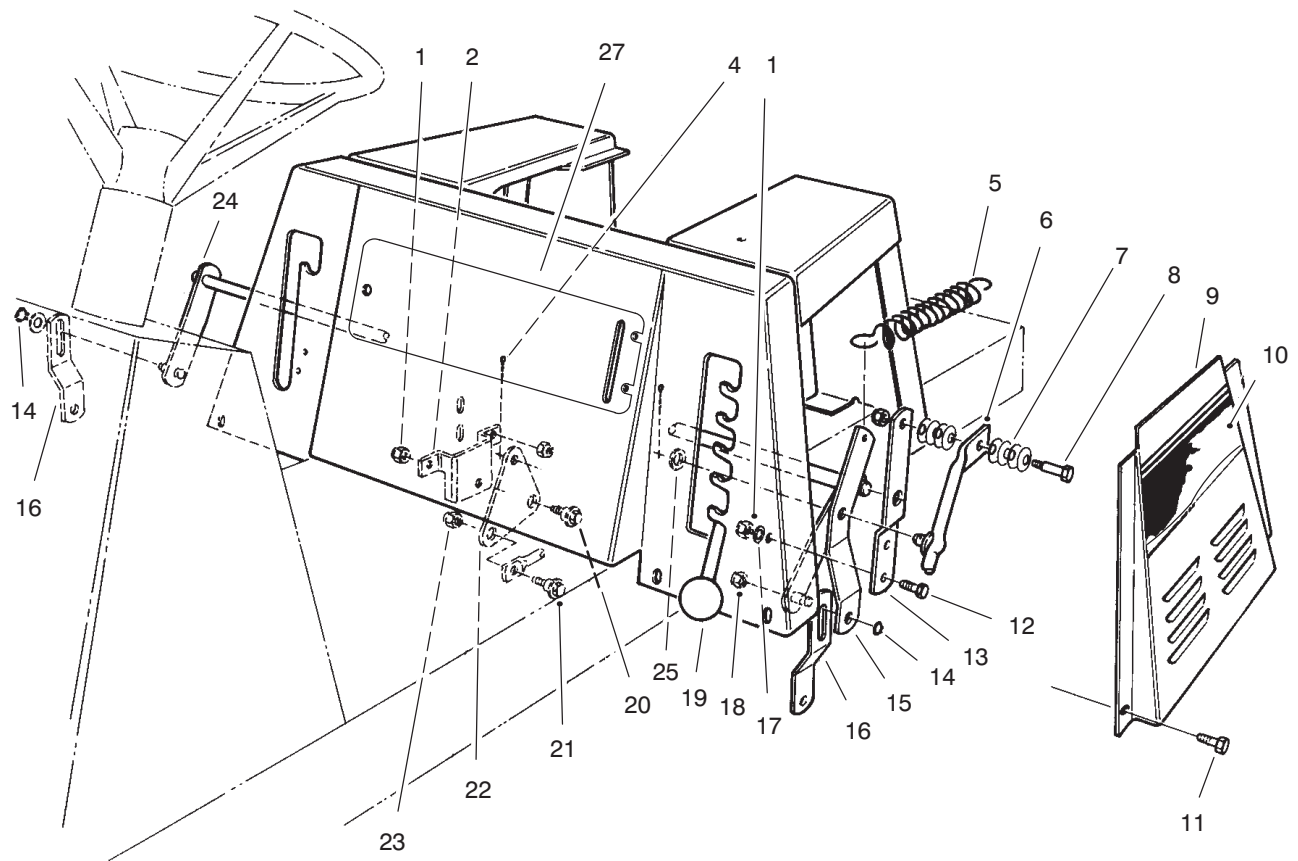


T-0323

## STEERING WHEEL, SWITCHES & DECALS

Ref. No.	Part No.	Description	No. Used
1	147665	Screw – Phillips Head	2
2	66-6740	Cover – Shaft, Steering	1
3	32121-78	Pin – Roll	1
4	92-7990	Insert – Wheel, Steering	1
5	49-3242	Assy. – Wheel, Steering (Incl. Ref. #4)	1
6	63-8360	Key	1
7	218-461	Nut – Lock	1
8	3254-5	Washer – Lock, Int. Tooth	1
9	92-7244	Decal – Deck Engage	1
10	46-5780	Switch – Ignition (Incl. Ref. #6-8)	1

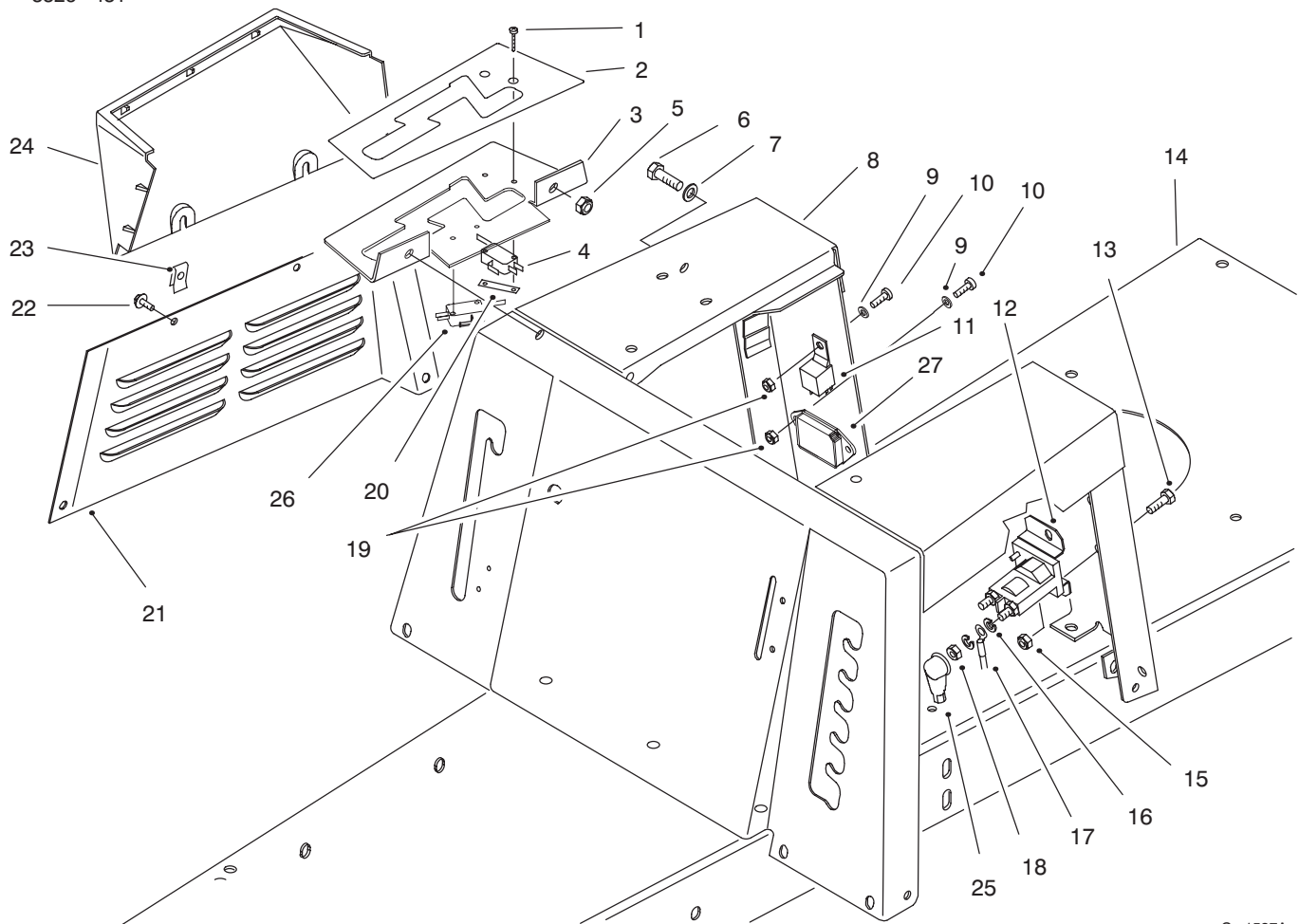
Ref. No.	Part No.	Description	No. Used
13	233-25	Knob	1
14	32104-76	Screw – Self-Tapping	2
15	92-0890	Control – Throttle (Incl. Ref. #13)	1
16	322-5	Screw – Cap Hex. Hd.	8
17	2412-68	Clamp	2
18	3256-23	Washer – Flat	7
19	3296-29	Nut – Lock	4
21	92-7245	Decal – H.O.C.	1
22	3290-354	Nut – Double	1
24	88-9931	Switch – Micro	1



C-1935

## LINKAGE ASSEMBLY

Ref. No.	Part No.	Description	No. Used	Ref. No.	Part No.	Description	No. Used
1	3296-29	Nut - Lock	7	15	80-2320-03	Bracket - H.O.C., Engage	1
2	80-2310	Bracket - Bell Crank Mount	1	16	63-5830-01	Link - Suspension, Deck	2
4	3272-6	Pin - Cotter	2	17	3256-23	Washer - Flat	4
5	62-3930	Spring - Extension	1	18	3296-42	Nut - Lock	1
6	47-1850-03	Lever - Height-of-Cut	1	19	233-48	Knob	1
7	3290-413	Washer - Belleville	8	20	19-1470	Bolt - Shoulder	1
8	28-0540	Bolt - Shoulder	1	21	65-5670	Bolt - Shoulder	1
9	92-0878-01	Panel L.H. - Base, Seat	1	22	80-2360	Crank - Bell, Deck Engage	1
10	98-1454	Decal - L.H.	1	23	3296-8	Nut - Lock	1
11	321-4	Screw - Cap Hex. Hd.	4	24	56-7400-03	Arm - Lever, H.O.C.	1
12	322-5	Screw - Cap Hex. Hd.	2	25	3256-26	Washer - Flat	1
13	47-1840-01	Bracket - Height-of-Cut	1	27	99-2979	Decal - Control Panel	1
14	32151-61	Ring - Retaining	2				

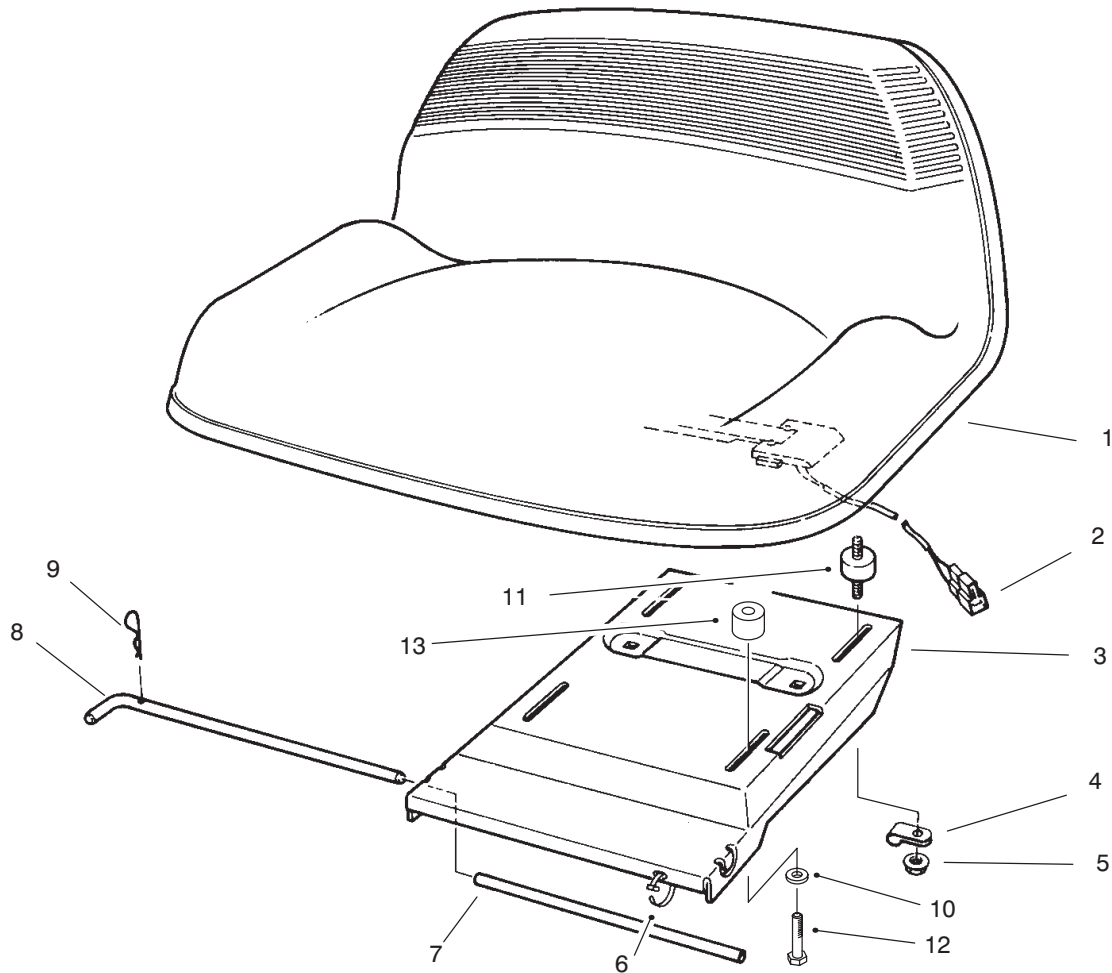


C-1587A

## SEAT BODY & SIDE PANEL ASSEMBLY

Ref. No.	Part No.	Description	No. Used
1	147665	Screw – Phillips Hd.	4
2	92-1751	Decal – Shift Pattern	1
3	99-2969-03	Gate – Shift	1
4	88-9930	Switch – Micro, Short	1
5	3296-29	Nut – Lock	2
6	322-5	Screw – Cap Hex. Hd.	2
7	3256-23	Washer – Flat	2
8	99-2967-01	Body W.A. – Seat Support	1
9	3256-14	Washer – Flat	3
10	3290-134	Screw – Machine	3
11	98-7249	Relay	1
12	47-1910	Solenoid	1
13	321-4	Screw – Cap Hex. Hd.	2
14	99-2962-01	Frame	1

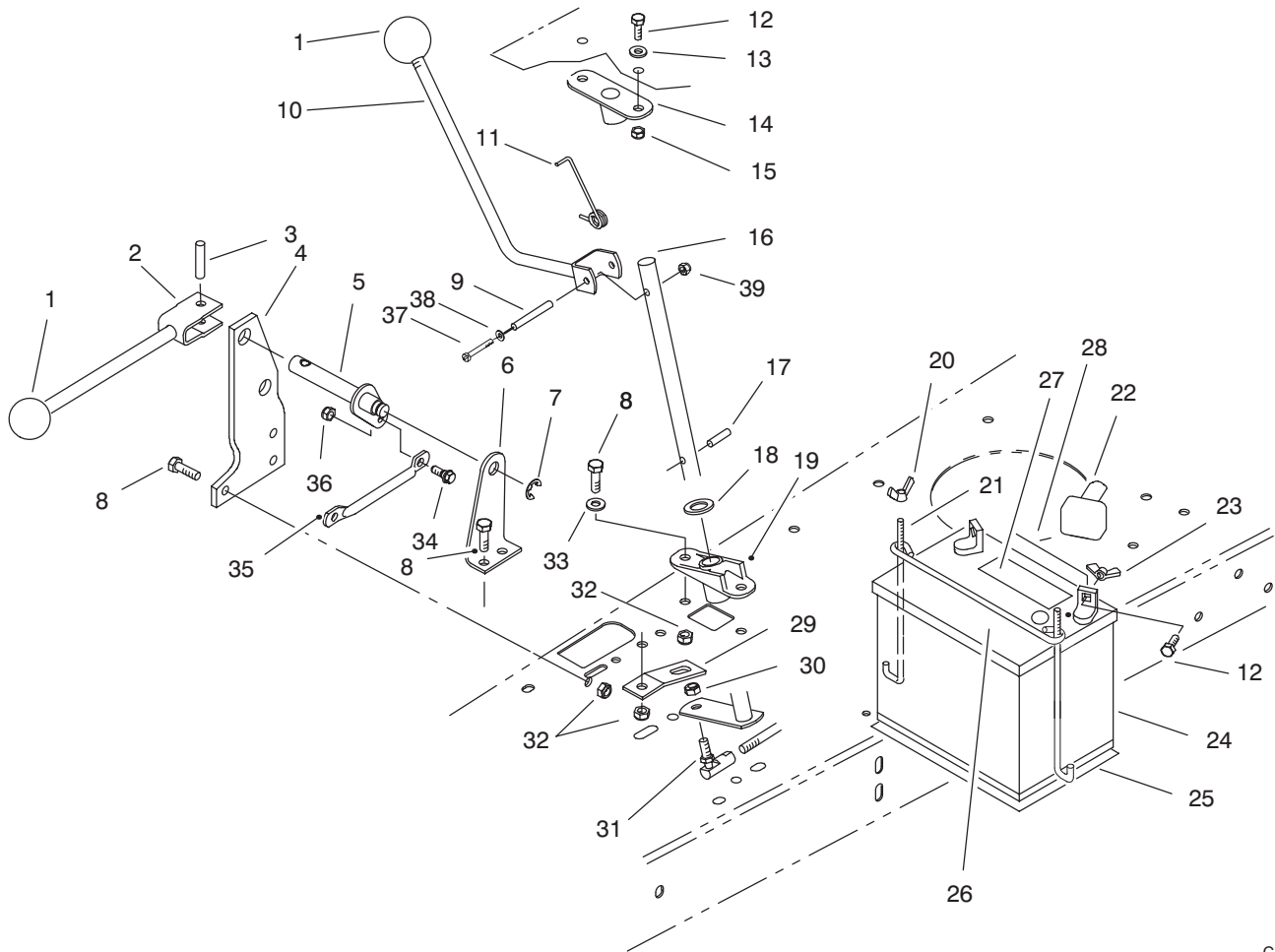
Ref. No.	Part No.	Description	No. Used
15	3296-42	Nut – Lock	2
16	3253-3	Washer – Lock	4
17	56-7670	Cable – Positive	1
18	3218-1	Nut – Jam	2
19	3296-2	Nut – Lock	3
20	3290-354	Nut – Double	2
21	92-0877-01	Panel – Seat Base, R.H.	1
22	32144-112	Screw – Sems	2
23	3290-191	Nut – Speed	2
24	88-9800	Cover – Gate, Shift	1
25	93-3190	Boot – Terminal Insulator	1
26	88-9931	Switch – Micro	1
27	99-3700	Module – NMR	1



C-1936

## SEAT ASSEMBLY

Ref. No.	Part No.	Description	No. Used	Ref. No.	Part No.	Description	No. Used
1	88-3950	Assembly - Seat	1	8	80-2620	Rod - Base, Seat	1
2	38-1420	Switch - Interlock	1	9	3290-307	Pin - Cotter, Hair	1
3	63-5540-01	Base - Seat	1	10	3256-23	Washer - Flat	2
4	2412-138	Clamp - Wire	1	11	62-5480	Isolator - Seat	2
5	32128-20	Nut - Flange Hd.	2	12	322-7	Screw - Hex Hd.	2
6	3290-378	Tie - Cable	1	13	92-5791	Spacer	2
7	63-5670	Tube - Bumper, Seat Rod	1				

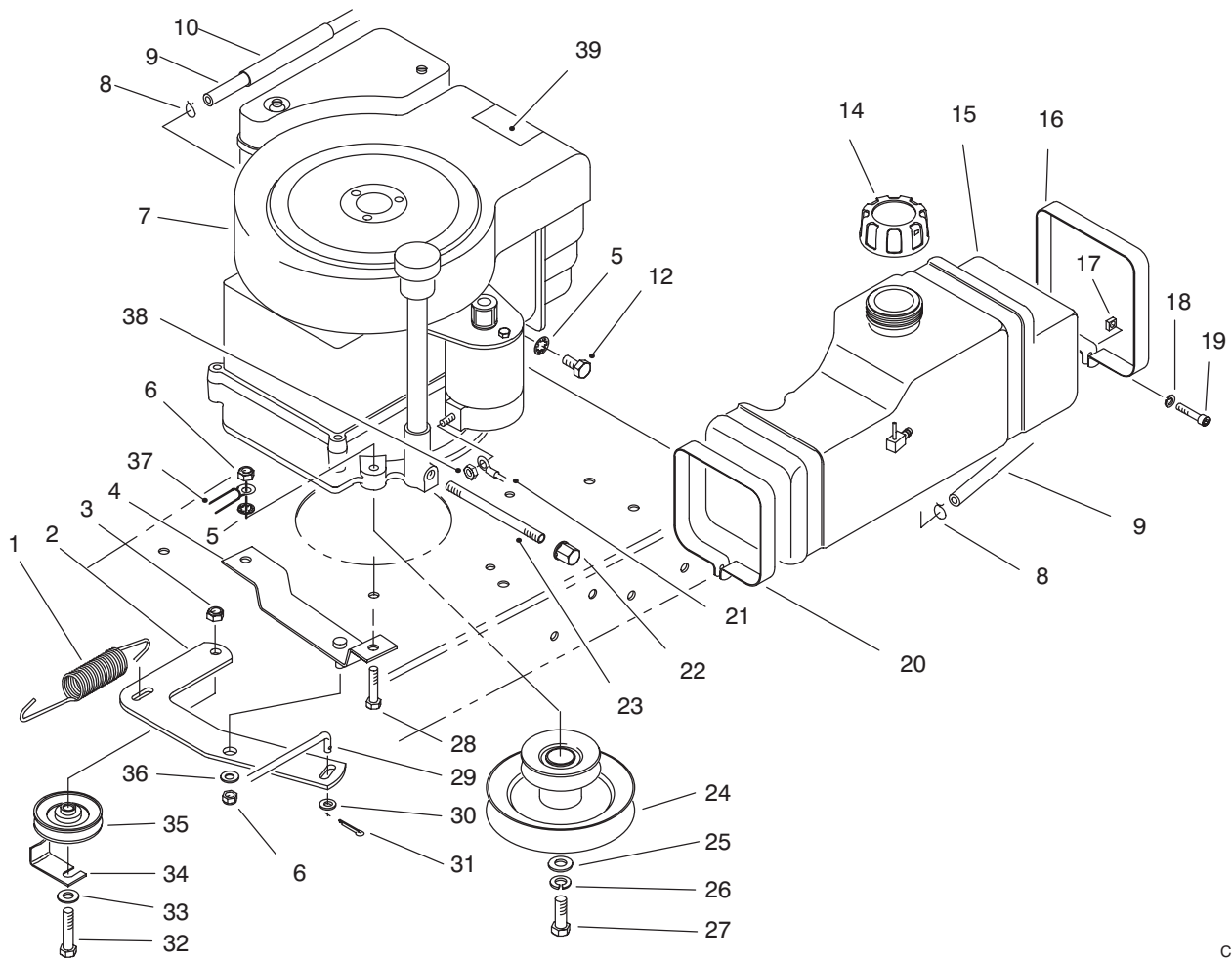


C-1601

## TRANSMISSION LINKAGE ASSEMBLY

Ref. No.	Part No.	Description	No. Used
1	233-48	Knob	2
2	80-2400-03	Lever W.A. - Engage	1
3	32121-25	Pin - Roll	1
4	80-2350-03	Pivot - Outer	1
5	80-2370	Shaft W.A. - Pivot	1
6	80-2340-03	Bracket - Pivot, Inner	1
7	32120-47	Ring - Retaining	1
8	322-5	Screw - Cap Hex. Hd.	4
9	32121-78	Pin - Roll	1
10	92-0884-03	Lever W.A. - Shaft	1
11	92-0894	Spring - Torsion	1
12	321-4	Screw - Cap Hex. Hd.	2
13	3256-22	Washer - Flat	2
14	92-0888	Support - Shift, Upper	1
15	3296-42	Nut - Lock	2
16	92-0891	Shaft W. A. - Shift	1
17	32121-16	Pin - Roll	1
18	257-11	Washer	1
19	92-0887	Support - Shift, Lower	1
20	32103-12	Nut - Wing	2

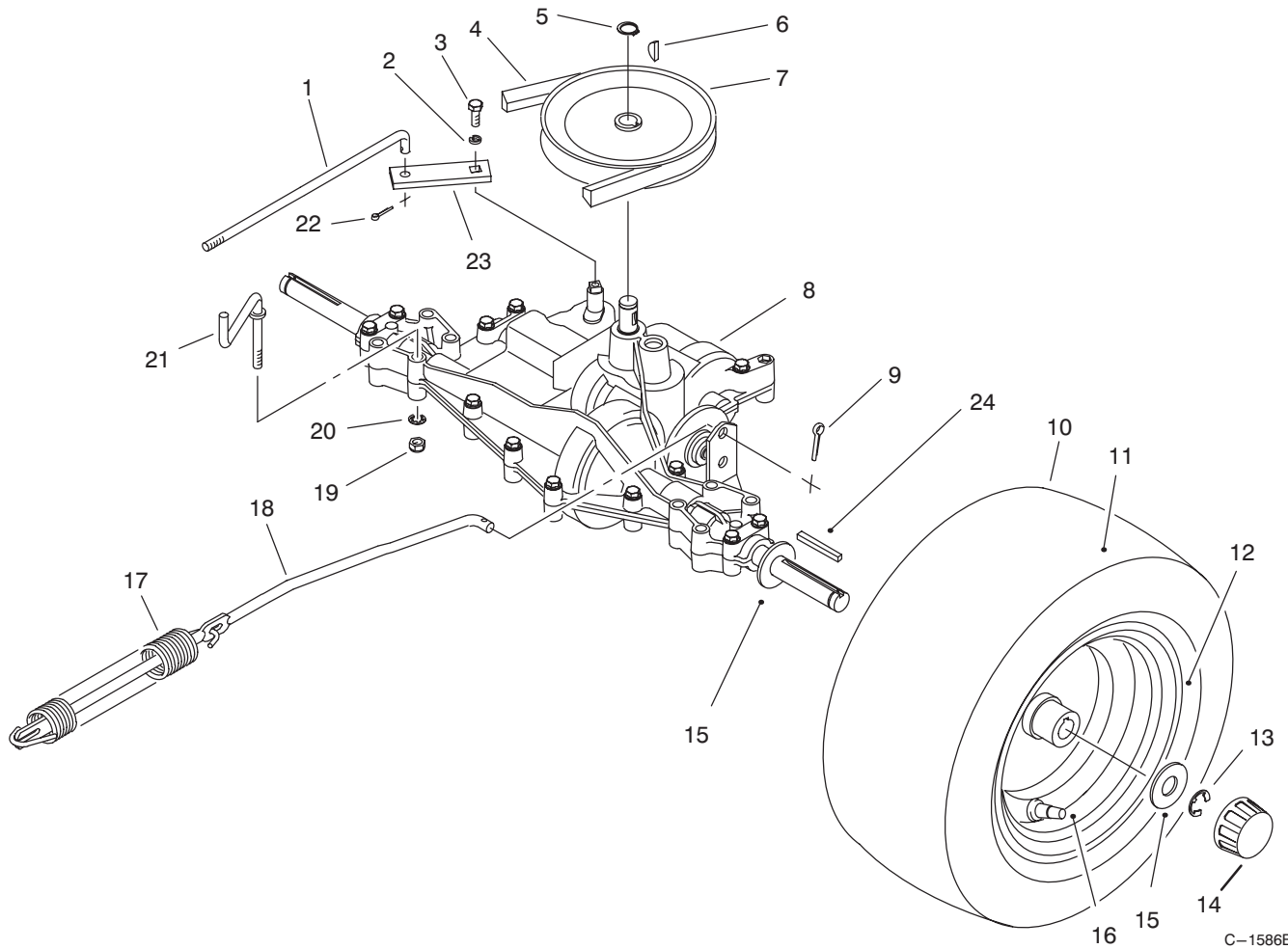
Ref. No.	Part No.	Description	No. Used
21	56-7720	Post - Battery	2
22	28-8080	Boot - Terminal	1
23	32103-22	Nut - Wing	2
24	104-1755	Battery - 155 CCA (Incl. Ref. #28 & 37)	1
25	62-4300	Pad - Battery	1
26	117316	Rod - Battery Hold Down	1
27	104-4163	Decal - Battery	1
28	104-4164	Decal - Battery	1
29	92-0896	Retainer - Spring	1
30	3296-4	Nut - Lock	1
31	2411-32	Ball Joint	1
32	3296-29	Nut - Lock	4
33	3256-23	Washer - Flat	2
34	65-5670	Screw - Shoulder	1
35	80-2330	Link - Bell Crank	1
36	3296-8	Nut - Lock	1
37	3250-40	Screw - PH	1
38	3256-14	Washer - Flat	1
39	3296-9	Nut - Lock	1



C-2428

## ENGINE ASSEMBLY

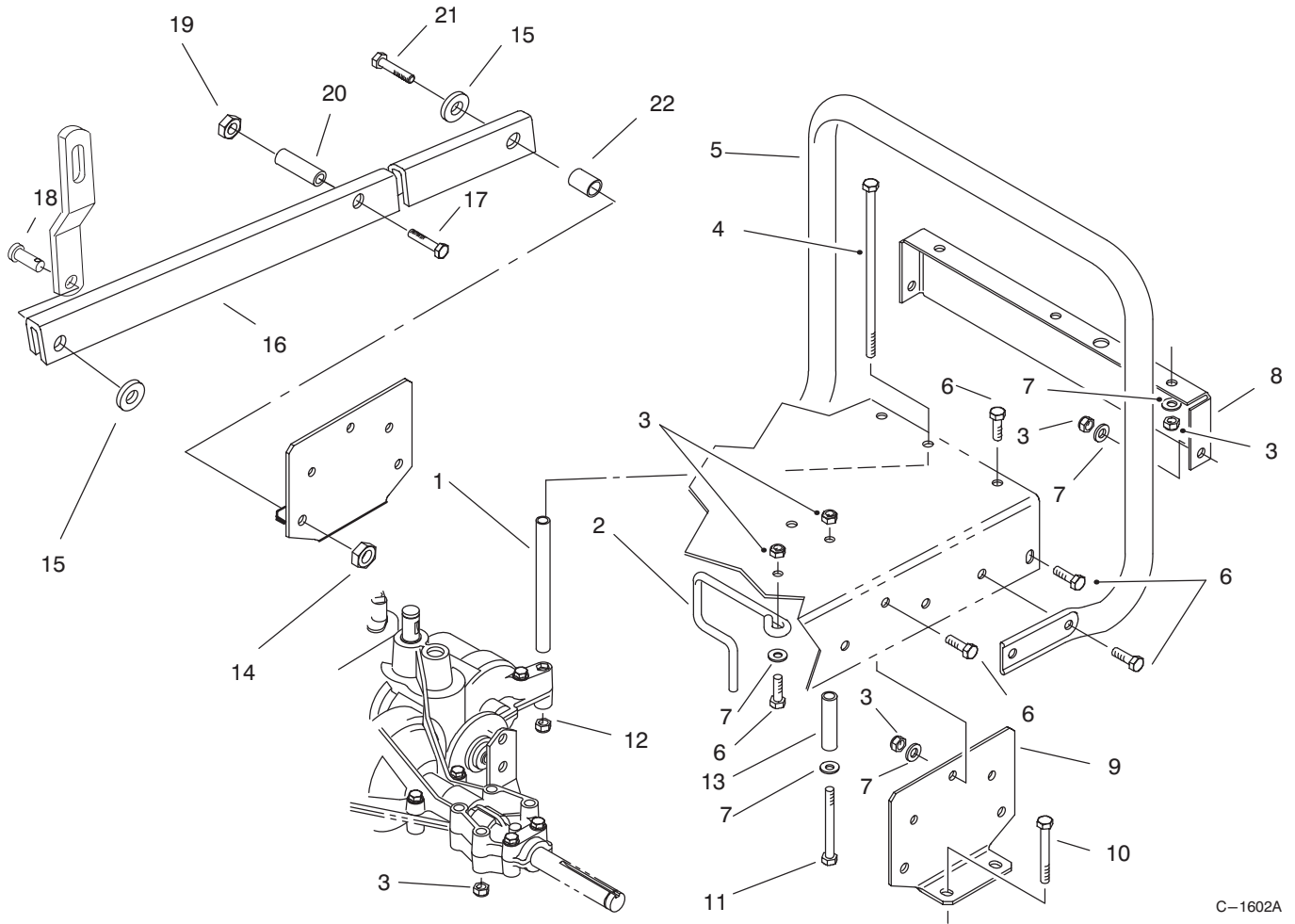
Ref. No.	Part No.	Description	No. Used	Ref. No.	Part No.	Description	No. Used
1	92-0879	Spring	1	22	288-10	Cap - Pipe	1
2	92-0883-03	Plate - Mounting, Idler	1	23	289-19	Nipple - Pipe	1
3	3296-39	Nut - Lock	1	24	92-0873	Pulley - Engine	1
4	92-0881-03	Bracket W.A. - Traction	1	25	3256-25	Washer - Flat	1
5	3254-2	Washer - Lock, Int. Tooth	4	26	3253-6	Washer - Lock	1
6	3296-29	Nut - Lock	2	27	62-3760	Screw - Cap Hex. Hd.	1
7		Engine - 11.5 H.P.	1	28	322-7	Screw - Cap Hex. Hd.	1
8	2412-98	Clamp - Hose	2	29	92-0871	Rod - Traction	1
9	47-2961	Hose - Fuel Line	1	30	3256-22	Washer - Flat	1
10	62-5490	Support - Fuel Line	1	31	3272-6	Pin - Cotter	1
12	32144-14	Screw	2	32	323-9	Screw - Cap Hex. Hd.	1
14	55-3570	Cap - Fuel	1	33	3256-24	Washer - Flat	1
15	56-7050	Tank - Fuel	1	34	12-9020	Retainer - Belt	1
16	57-4060-03	Retainer - Front	1	35	12-5820	Pulley - Idler	1
17	32107-11	Nut - Square	2	36	3256-57	Washer - Flat	1
18	3253-3	Washer - Lock	2	37	54-3090	Cable - Battery Ground	1
19	3274-51	Screw - Hex. Socket Hd.	2	38	3218-1	Nut - Jam	1
20	57-4070-03	Retainer - Rear	1	39	98-0745	Decal - Engine	1
21	56-7670	Cable - Battery, Positive	1				



## REAR AXLE ASSEMBLY

Ref. No.	Part No.	Description	No. Used
1	92-0889	Link - Shift	1
2	3253-3	Washer - Lock	1
3	329-4	Screw - Cap Hex. Hd.	1
4	92-0870	V-Belt - Traction	1
5	32120-64	Ring - Retaining	1
6	3257-23	Key	1
7	92-0874	Pulley	1
8	92-0862	Transaxle	1
9	3272-16	Pin - Cotter	1
10	99-2988	Tire	2
11	232-39	Tube - Inner	2
12	88-9730	Rim	2

Ref. No.	Part No.	Description	No. Used
13	32151-48	Ring - Retaining	2
14	61-9780	Cap - Hub	2
15	28-2480	Washer	4
16	232-27	Stem - Valve	2
17	57-9940	Spring - Brake	1
18	92-0872	Rod - Brake	1
19	3296-29	Nut - Lock	1
20	3254-2	Washer - Lock, Int. Tooth	1
21	92-0899	Guide - Belt, Lower	1
22	3272-6	Pin - Cotter	1
23	92-0880	Arm - Shift, Transaxle	1
24	7-0036	Key - Square	2



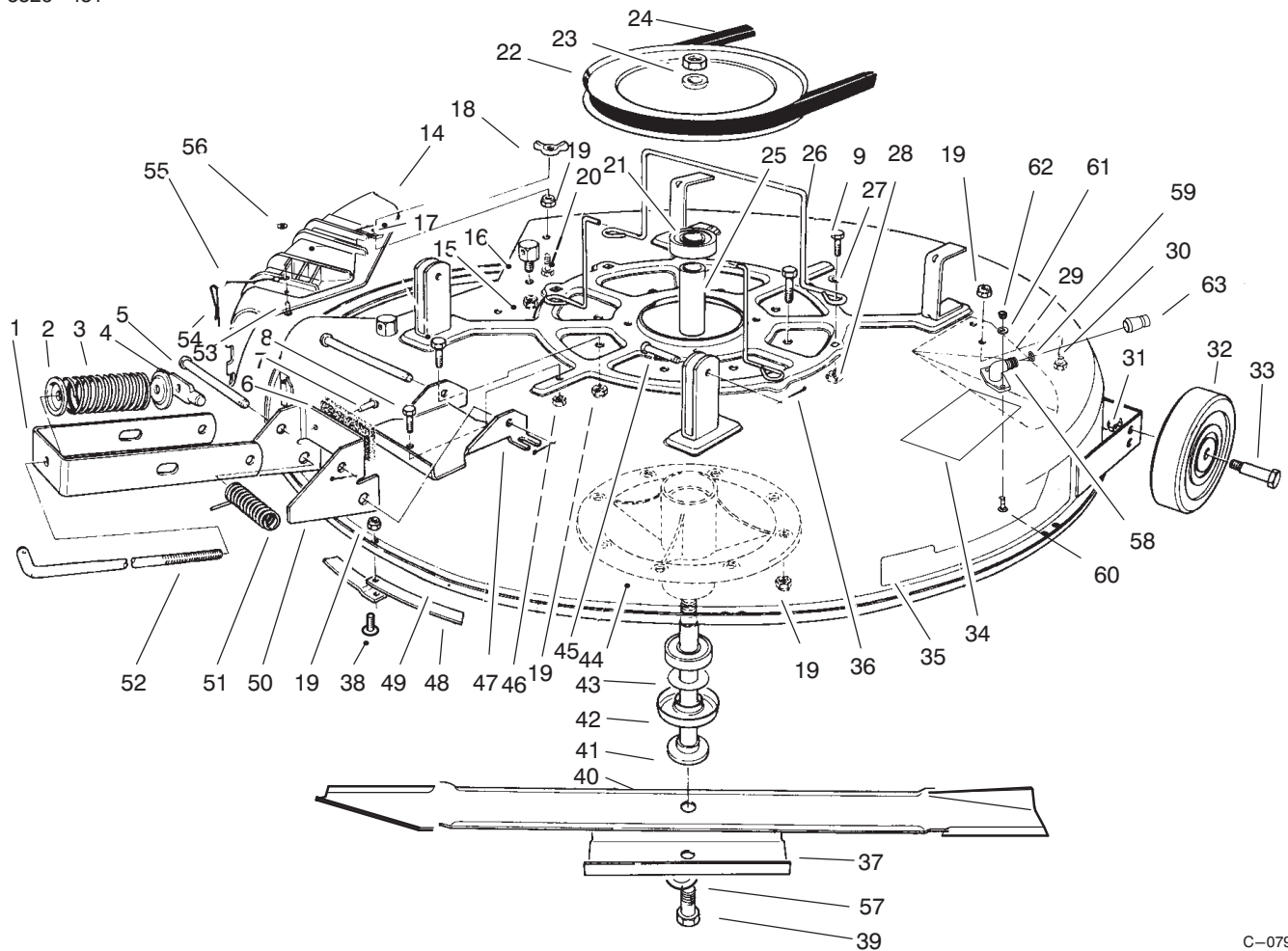
C-1602A

## STAND BAR ASSEMBLY

Ref. No.	Part No.	Description	No. Used
1	92-0897	Spacer	1
2	92-0898	Guide - Belt	1
3	3296-29	Nut - Lock	17
4	322-50	Screw - Cap Hex. Hd.	1
5	92-0864-03	Standbar	1
6	322-5	Screw - Cap Hex. Hd.	15
7	3256-23	Washer - Flat	12
8	92-0861-01	Frame - Rear	1
9	92-0865-01	Support - Axle	2
10	322-12	Screw - Cap Hex. Hd.	4
11	322-14	Screw - Cap Hex. Hd.	2
12	3296-47	Nut - Lock	1

Ref. No.	Part No.	Description	No. Used
13	76-1560	Spacer	2
14	3296-59	Nut - Lock	3
15	3256-24	Washer - Flat	4
16	76-1540-01	Arm - Suspension R.H.	1
*	76-1550-01	Arm - Suspension L.H.	1
17	323-14	Screw - Hex Hd. Cap	2
18	283-42	Pin - Clevis	2
19	3296-39	Nut - Lock	1
20	76-1560	Spacer - Split	2
21	323-9	Screw - Hex Hd. Cap	2
22	56-7430	Pin - Support	2

\*Not Illustrated

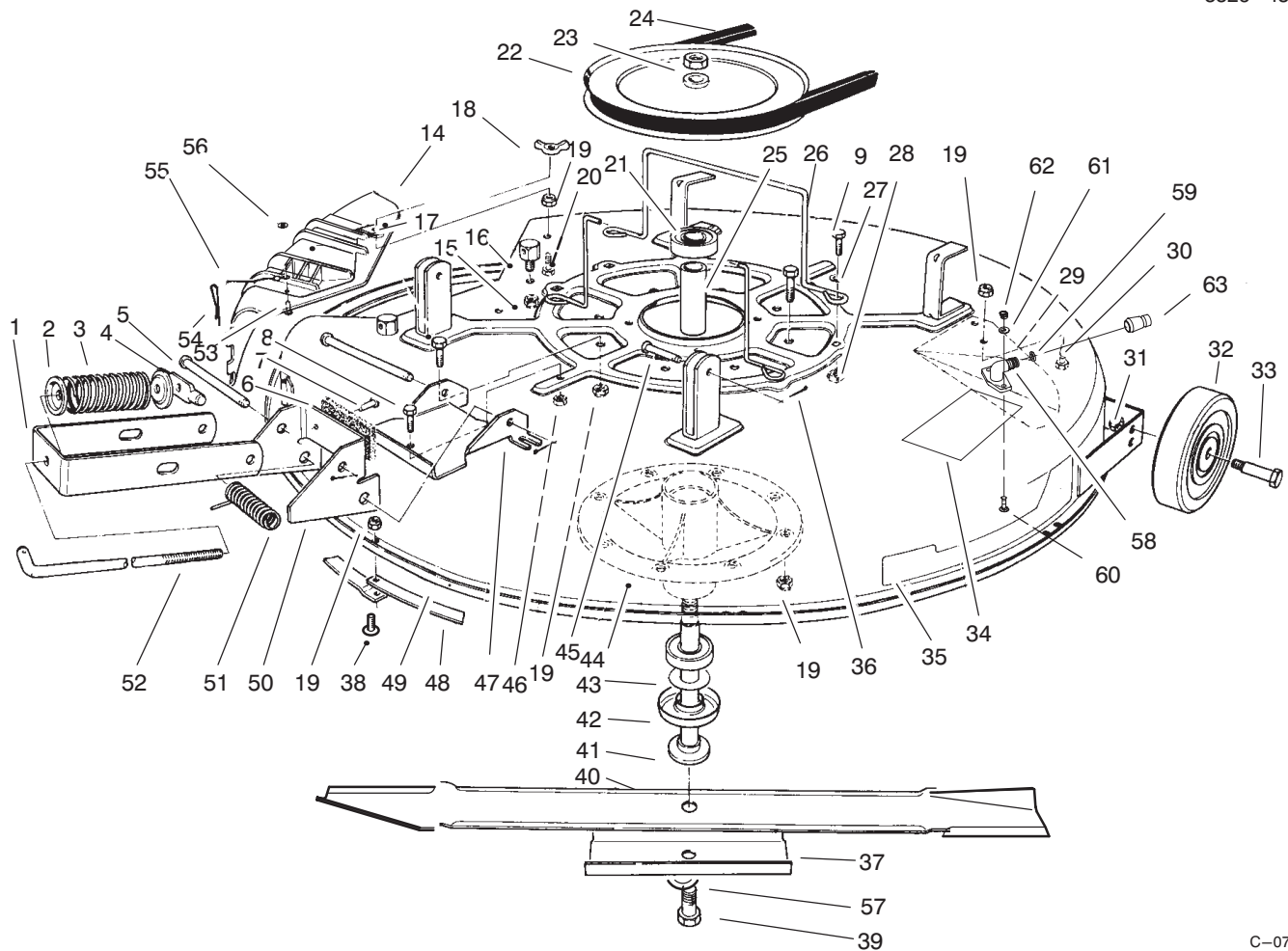


C-0792B

## MOWER ASSEMBLY – RECYCLER

Ref. No.	Part No.	Description	No. Used
1	47-1180	Bracket – Engagement	1
2	47-1140	Retainer – Spring, Top	2
3	47-0960	Spring – Compression	1
4	47-1200	Shaft – Adjusting	1
5	80-2570	Pin – Clevis	2
6	80-2550	Pad – Brake	1
7	3290-282	Rivet	2
8	321-4	Screw – Cap Hex. Hd.	1
9	322-5	Screw – Cap Hex. Hd.	6
14	82-6150	Assy. – Cover, Discharge (Incl. Ref. #53-56)	1
15	3296-59	Nut – Lock	1
16	28-7350	Post – Pivot	1
17	83-7010	Brace – Cover, Rear	1
18	32103-2	Nut – Wing	1
19	3296-29	Nut – Lock	24
20	322-6	Screw – Cap Hex. Hd.	1
21	251-297	Bearing	2
22	80-4470	Pulley	1
23	3219-7	Nut – Hex. Hd.	1
24	92-0875	V-Belt	1
25	83-7020	Spacer – Bearing	1

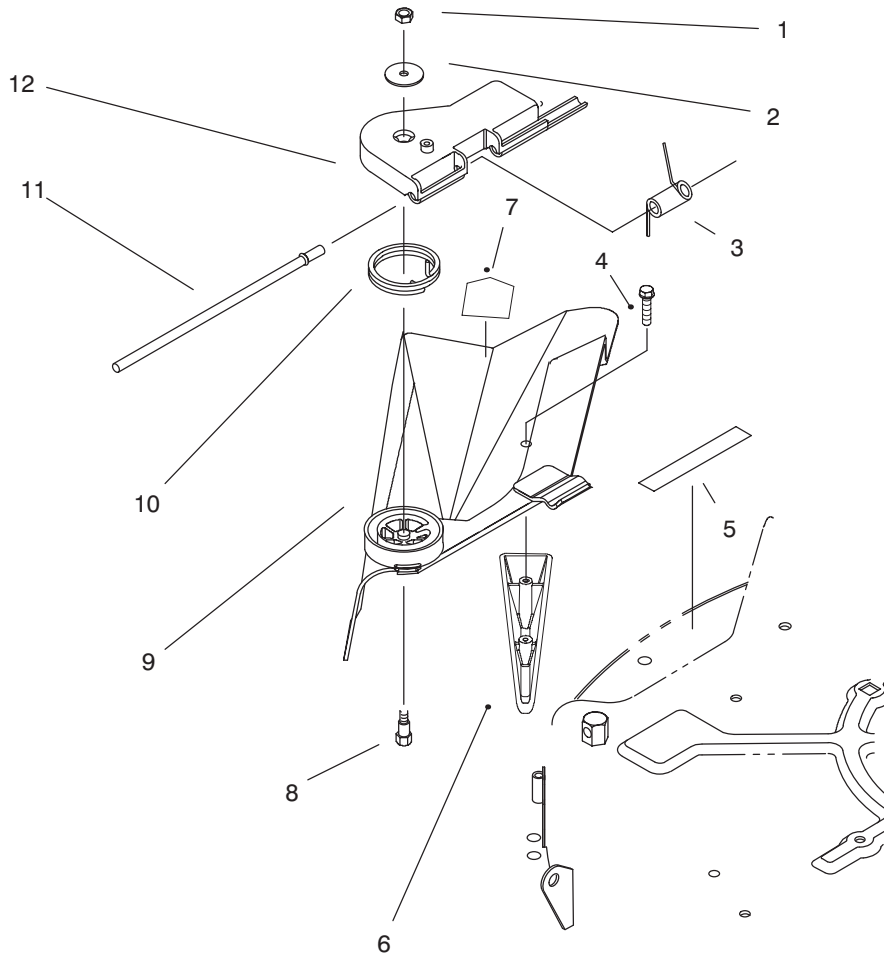
Ref. No.	Part No.	Description	No. Used
26	60-9730	Guide – Belt	2
27	3256-23	Washer – Flat	4
28	3290-496	Nut – Retainer	4
29	80-2630	Kicker – 32"	4
30	322-3	Screw – Cap Hex. Hd.	13
31	3296-39	Nut – Lock	2
32	61-9760	Wheel – Deck	2
33	56-6590	Bolt – Wheel	2
34	66-1340	Decal – Danger	1
35	92-9521	Decal – Recycler	1
36	3272-6	Pin – Cotter	2
37	80-4570	Stiffener – Blade	1
38	32122-14	Screw – Truss, Phillips Hd.	8
39	26-0671	Bolt – Blade	1
40	80-4430	Blade – Recycler	1
41	80-4350	Shaft – Spindle	1
42	80-4370	Shield – Bearing	1
43	80-4390	Spacer – Hardened	1
44	56-7030	Body – Spindle	1
45	283-2	Pin – Clevis	2



C-0792B

## MOWER ASSEMBLY – RECYCLER (Cont.)

Ref. No.	Part No.	Description	No. Used	Ref. No.	Part No.	Description	No. Used
46	3296-8	Nut – Lock	1	55	28-8070	Lanyard	1
47	80-2560	Plate – Deck, Brake Mtg.	1	56	3256-49	Washer – Flat	1
48	80-4490	Ring – Deck	4	57	3290-465	Washer – Belleville	1
49	95-7498	Deck – Recycler (Incl. Ref. # 13, & 34)	1	58	95-2747	Fitting – Washout	1
50	80-2530	Brake Ass'y (Incl. Ref. #6-7)	1	59	46-6290	O-Ring	1
51	40-6230	Spring – Torsion	1	60	3229-1	Bolt – Carriage	2
52	80-2580	Rod – Adjusting	1	61	3256-1	Washer – Flat	2
53	3290-282	Rivet	2	62	3296-16	Nut – Lock	2
54	28-8130	Pin – Chute, Locking	1	63	95-3270	Connector – Hose	1



C-2426

## DEFLECTOR ASSEMBLY – RECYCLER

Ref. No.	Part No.	Description	No. Used
1	3296-42	Nut – Lock	1
2	3256-58	Washer – Fender	1
3	92-2493	Spring – Torsion	1
4	93-0231	Screw – Pan Hd.	4
5	68-3650	Decal – Deflector Danger	1
6	93-7696	Kicker – CE	2
7	93-1122	Decal – Danger	1

Ref. No.	Part No.	Description	No. Used
8	92-8916	Bolt – Shoulder	1
9	100-6200	Deflector Ass’y (Incl. Ref. #7)	1
10	88-6160	Spring – Torsion	1
11	88-6150	Rod – Deflector Hinge	1
12	88-4540	Hinge – Deflector Danger	1

# ELECTRICAL SCHEMATIC

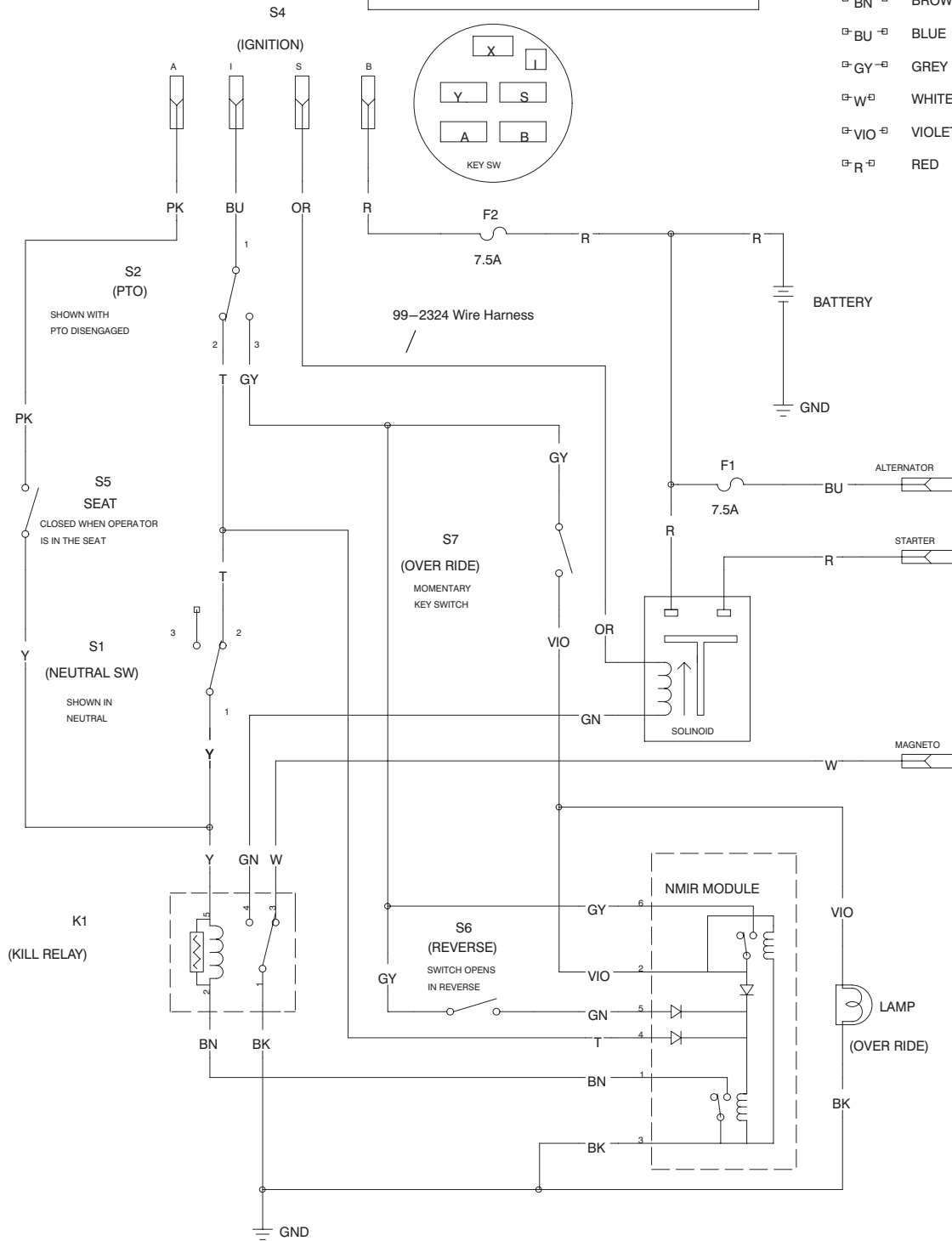
12/32-SCH.

KEY SWITCH PN 88-9830

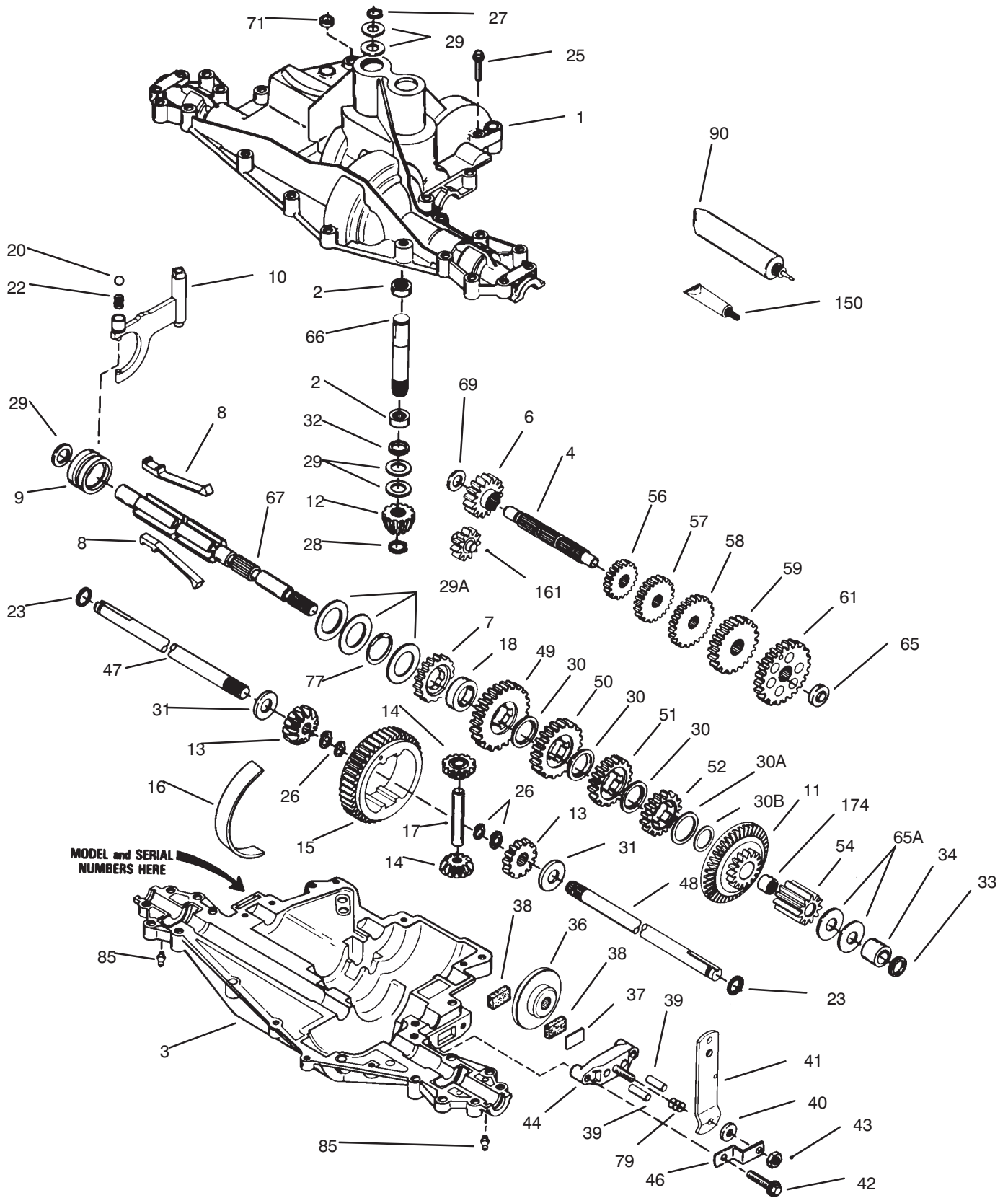
OFF NO CONNECTION  
ON B I A AND X Y  
START B I S

### WIRE COLOR CODES

BN BROWN	PK PINK
BU BLUE	BK BLACK
GY GREY	Y YELLOW
W WHITE	T TAN
VIO VIOLET	GN GREEN
R RED	OR ORANGE



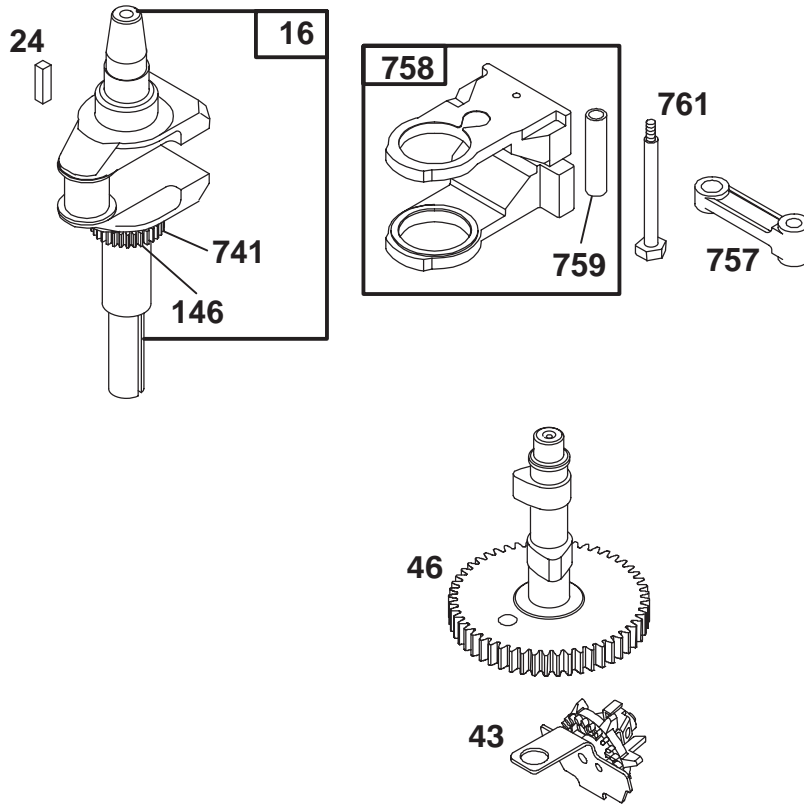
# PEERLESS TRANSAXLE MODEL NO. 915-019



# PEERLESS TRANSAXLE MODEL NO. 915-019

Ref. No.	Part No.	Description	No. Used	Ref. No.	Part No.	Description	No. Used
1	772117	Transaxle Cover	1	38	790006	Brake Pad	2
2	780086	Needle Bearing	2	39	786026	Dowel Pin	2
3	770114	Transaxle Case	1	40	792076	Washer	1
4	776300	Countershaft	1	41	790045	Brake Lever	1
6	778281	Spur Gear (16 Teeth)	1	42	792073	Screw	2
7	778122A	Spur Gear (22 Teeth)	1	43	792075	Locknut	1
8	792133	Shift Key	4	44	790025	Brake Pad Holder	1
9	784352	Shift Collar	1	46	786086	Brake Lever Bracket	1
10	784365	Shift Rod & Fork	1	47	774930	Axle (16-3/4" lg.)	1
11	778290	Bevel Gear & Bearing (44/16 Teeth) (Incl. Ref. #174)	1	48	774931	Axle (11-9/16" lg.) (Incl. Ref. #26)	1
12	778262	Bevel Pinion (14 Teeth)	1	49	778124A	Spur Gear (30 Teeth)	1
13	778221	Bevel Gear (16 Teeth)	2	50	778123A	Spur Gear (25 Teeth)	1
14	778068	Differential Pinion	2	51	778122A	Spur Gear (22 Teeth)	1
15	778260	Ring Gear	1	52	778273	Spur Gear (19 Teeth)	1
16	786150	Bearing Strip	1	54	778263	Spur Gear (11 Teeth)	1
17	78139	Drive Pin	1	56	778126A	Spur Gear (20 Teeth)	1
18	786147	Neutral Spacer	1	57	778127A	Spur Gear (25 Teeth)	1
20	792139	Ball (3/8" dia.)	1	58	778128A	Spur Gear (28 Teeth)	1
22	792142	Spring	1	59	778129A	Spur Gear (30 Teeth)	1
23	788061	Seal Ring	2	61	778265	Spur Gear (34 Teeth)	1
25	792073	Screw	17	65	780162	Washer	1
26	792125	Retaining Ring (pkg. of 2)	4	65A	780160	Washer	2
27	792035	Retaining Ring	1	66	776299	Input Shaft (3.522" lg.)	1
28	788040	Retaining Ring	1	67	776352	Shifter & Brake Shaft	1
29	780072	Washer	5	69	780161	Thrust Washer	1
29A	780090	Thrust Washer	3	71	788069	Square Cut Ring	1
30	780108	Washer	3	77	788078A	Inverted Retaining Ring (pkg. of 2)	1
30A	789145	Washer	1	79	792144	Spring	1
30B	780178	Washer	1	90	788067B	Grease (32 oz. btl. Bentonite grease)	1
31	780001	Washer	2	150	510334	Gasket Eliminator (Loctite #515)	1
32	792001	O-Ring	1	161	776302	Reverse Idler Assembly	1
33	788076	O-Ring	1	174	780085	Needle Bearing	1
34	780159	Bushing	1				
36	790071	Brake Disk	1				
37	790007	Brake Pad Plate	1				





Assemblies include all parts shown in frames.

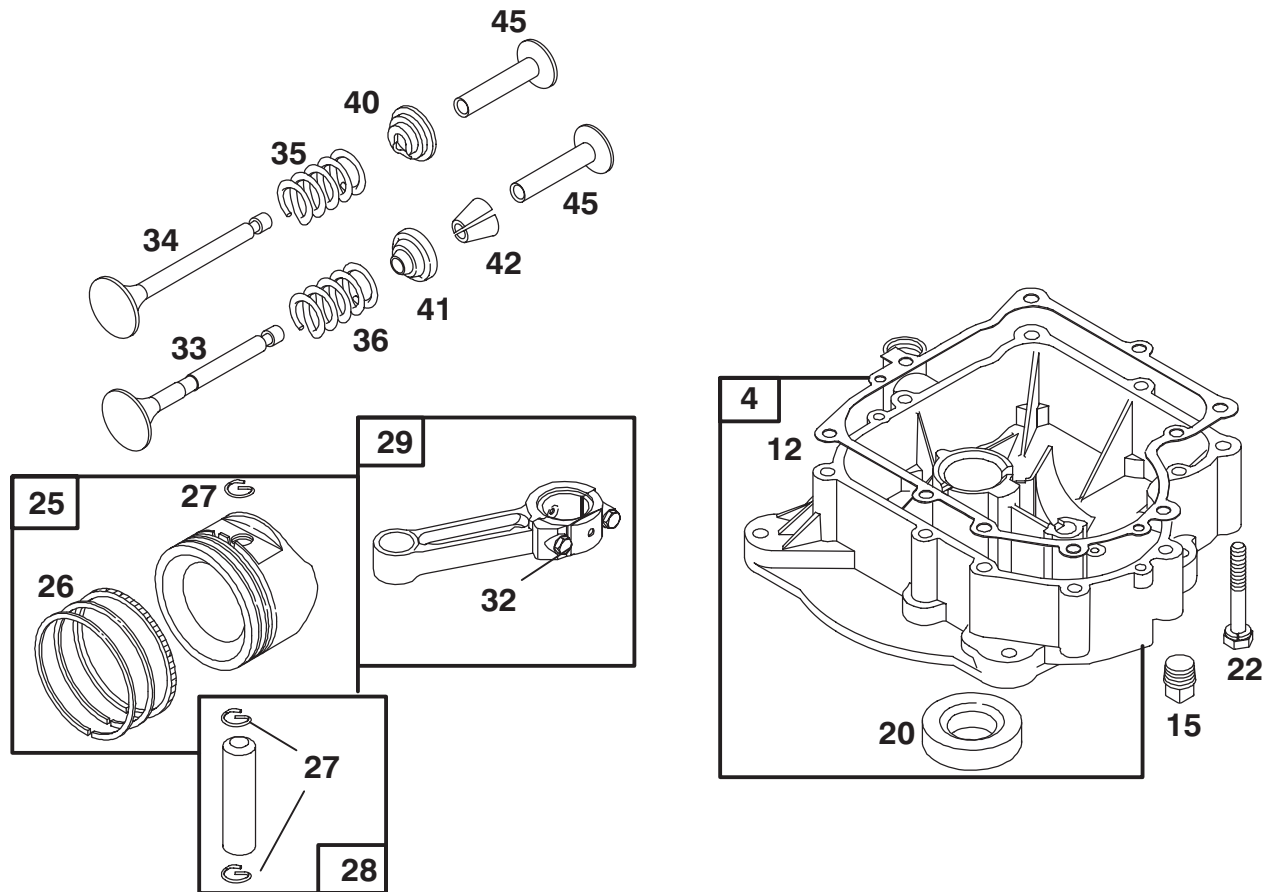
## ENGINE BRIGGS & STRATTON MODEL 28M707-1182-E1

Ref. No.	Part No.	Description	No. Used
16	498971	Crankshaft	1
24	222698	Key - Flywheel	1
43	490815	Governor/Oil Slinger	1
46	212897	Gear - Cam	1
146	94196	Key - Timing	1
741	262932	Gear - Timing	1

Ref. No.	Part No.	Description	No. Used
757	213998	Link - Counterweight	1
758	399891	Counterweight	1
759	230787	Pin - Counterweight	1
761	94593	Screw - Counterweight	1

★ Included in Gasket Set-Part No. 494241.  
 ◆ Included in Carburetor Gasket Set-Part No. 494385.

● Included in Carburetor Kit-Part No. 499220.  
 ● Included in Valve Overhaul Gasket Set-Part No. 498539.



Assemblies include all parts shown in frames.

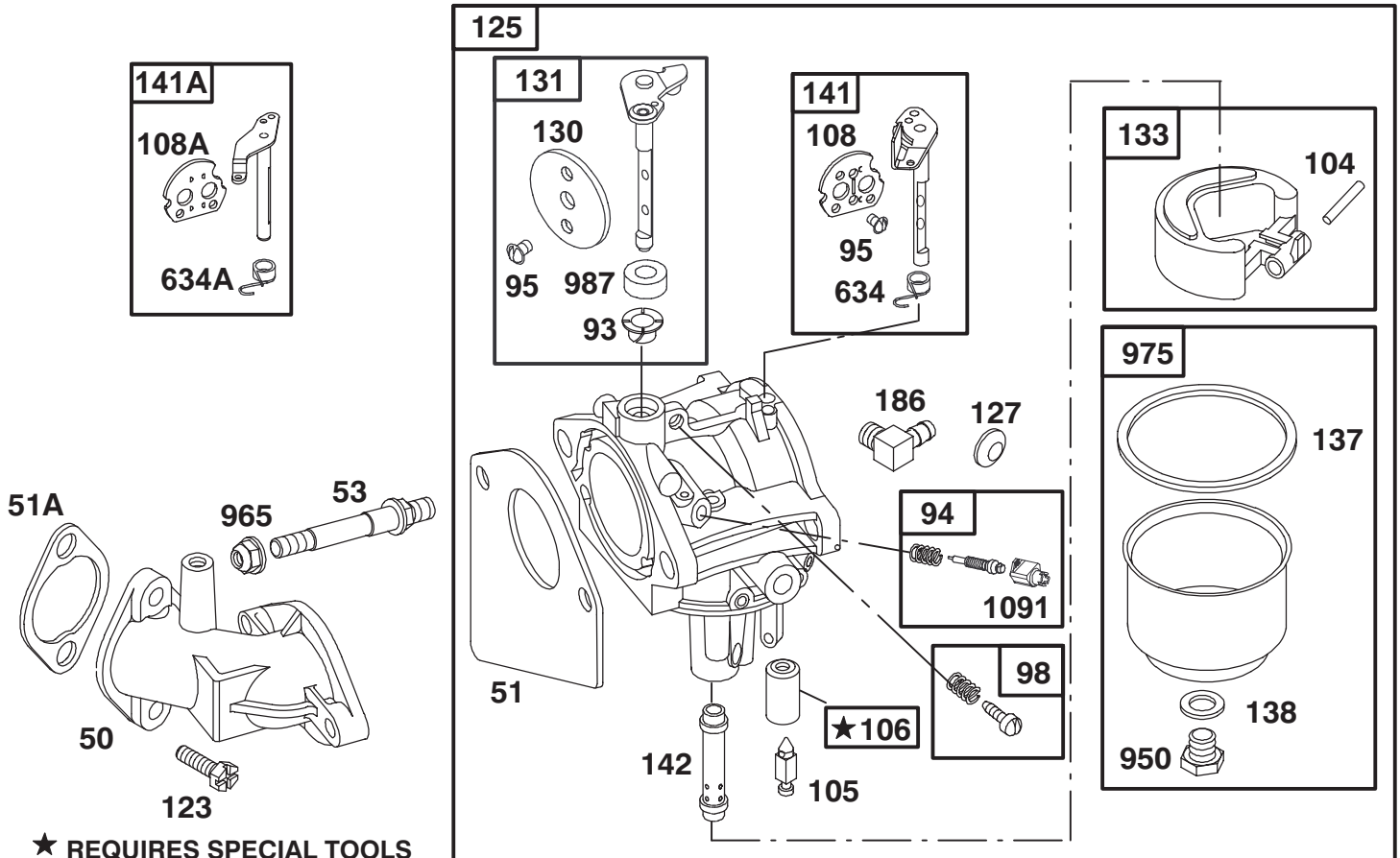
## ENGINE BRIGGS & STRATTON MODEL 28M707-1182-E1

Ref. No.	Part No.	Description	No. Used
4	494238	Sump - Engine	1
★12	271916	Gasket - Crankcase (.015" Thick)	1
★	271997	Gasket - Crankcase (.005" Thick)	1
★	271996	Gasket - Crankcase (.009" Thick)	1
15	94239	Plug - Oil Drain	1
★20	291675	Seal - Oil	1
22	95187	Screw - Hex.	1
25	499282	Piston Assy. (Std.)	1
	499286	Piston Assy. (.010" O.S.)	1
	499290	Piston Assy. (.020" O.S.)	1
	499294	Piston Assy. (.030" O.S.)	1
26	391780	Ring Set (Std.)	1
	391781	Ring Set (.010" O.S.)	1
	391782	Ring Set (.020" O.S.)	1
	391783	Ring Set (.030" O.S.)	1

Ref. No.	Part No.	Description	No. Used
27	263129	Lock - Piston Pin	1
28	498319	Pin - Piston (Standard)	1
	498320	Pin - Piston (.005" O.S.)	1
29	490348	Rod - Connecting	1
	490469	Rod - Connecting (.020" U.S. Crankpin Bore)	1
32	94671	Screw - Connecting Rod	1
33	262246	Valve - Exhaust	1
34	262247	Valve - Intake	1
35	65906	Spring - Intake Valve	1
36	26828	Spring - Exhaust Valve	1
40	221596	Retainer - Intake Valve	1
41	292260	Retainer - Exhaust Valve	1
42	494553	Keeper - Valve	1
45	262248	Tappet - Valve	1

★ Included in Gasket Set-Part No. 494241.  
 ◆ Included in Carburetor Gasket Set-Part No. 494385.

● Included in Carburetor Kit-Part No. 499220.  
 ● Included in Valve Overhaul Gasket Set-Part No. 498539.



★ REQUIRES SPECIAL TOOLS TO INSTALL. SEE REPAIR INSTRUCTION MANUAL.

Assemblies include all parts shown in frames.

## ENGINE BRIGGS & STRATTON MODEL 28M707-1182-E1

Ref. No.	Part No.	Description	No. Used
50	213819	Manifold – Intake	1
◆51	272465	Gasket – Carburetor (Carb. to Manifold)	1
●★51A	272554	Gasket – Carburetor (Manifold to Cylinder)	1
53	94637	Stud – Carb. Mtg.	1
●93	281346	Bushing – Throttle Shaft	1
94	498030	Valve – Needle	1
●95	94098	Screw – Throttle	1
98	495800	Screw – Idle Speed	1
●104	231789	Pin – Float Hinge	1
●105	231855	Valve – Float Needle	1
●106	231854	Seat – Inlet	1
108	224667	Valve – Choke	1
108A	224540	Valve – Choke	1
123	94913	Screw – Torx®Hex.	1
125	498027	Carburetor	1
●127		Plug – Welch (Sold in Kit Only)	1
130	224539	Valve – Throttle	1
131	494379	Shaft – Throttle	1

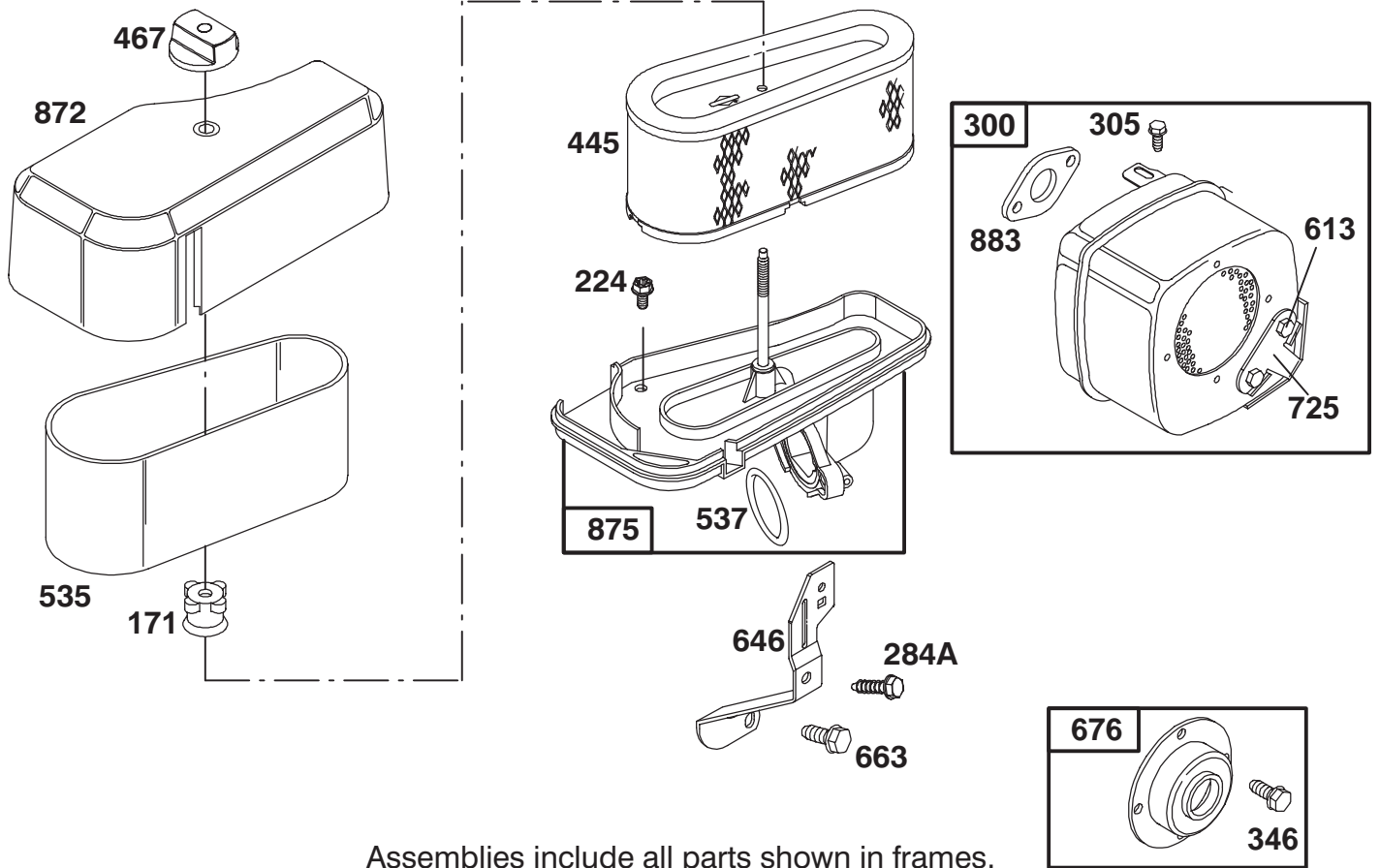
Ref. No.	Part No.	Description	No. Used
133	494381	Float – Carburetor	1
●◆137	281165	Gasket – Float Bowl	1
●◆138	281164	Washer – Float Bowl Screw	1
141	495097	Shaft – Choke (Manual Choke)	1
141A	495931	Shaft – Choke (Choke-A-Matic)	1
●142	497566	Nozzle – Carburetor (Standard)	1
	497567	Nozzle – Carburetor (High Alt.)	1
186	493496	Connector – Fuel	1
●634	494453	Seal – Spring Assembly	1
●634A	494455	Seal – Spring Assembly	1
950	94642	Screw – Fuel Bowl	1
965	94010	Nut – Hex.	1
975	494378	Bowl – Float	1
●987	281166	Seal – Throttle Shaft	1
1091	281364	Cap – Limiter	1

★ Included in Gasket Set—Part No. 494241.

◆ Included in Carburetor Gasket Set—Part No. 494385.

● Included in Carburetor Kit—Part No. 499220.

● Included in Valve Overhaul Gasket Set—Part No. 498539.



Assemblies include all parts shown in frames.

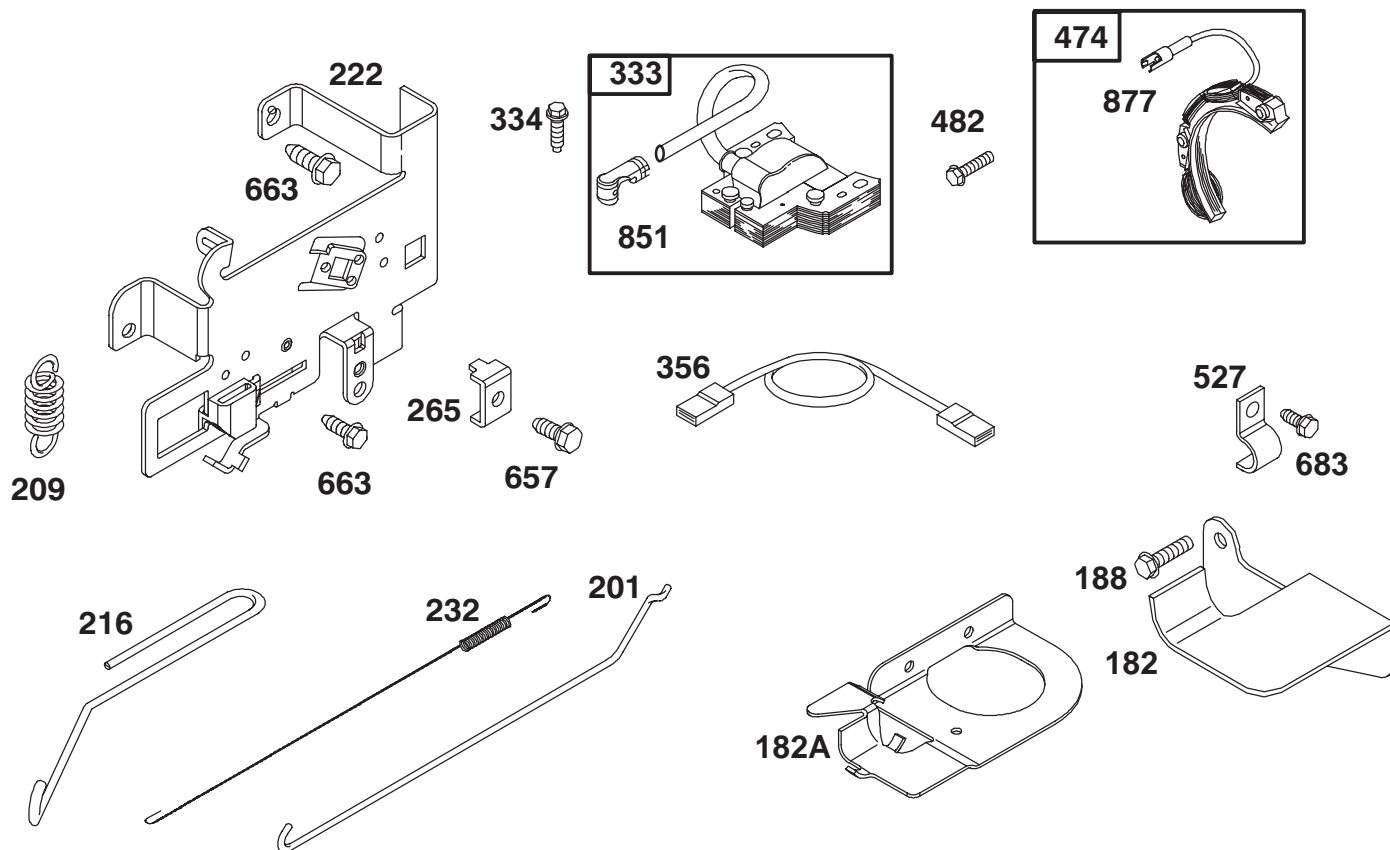
## ENGINE BRIGGS & STRATTON MODEL 28M707-1182-E1

Ref. No.	Part No.	Description	No. Used
171	281051	Nut – Air Cleaner	1
224	94905	Screw – Torx®Hex.	1
284A	94704	Screw – Hex.	1
300	491413	Muffler – Exhaust	1
305	94786	Screw – Hex.	1
346	94896	Screw – Hex.	1
445	496894	Filter – Air	1
467	493903	Nut – Air Cleaner	1
535	272403	Filter – Precleaner	1

Ref. No.	Part No.	Description	No. Used
●★537	281106	Gasket – Air Cleaner	1
613	93927	Screw – Shoulder	1
646	224546	Brace – Air Cleaner	1
676	396903	Deflector – Muffler	1
663	94620	Screw – Hex.	1
725	223023	Shield – Heat	1
872	281361	Cover – Air Cleaner	1
875	494237	Base – Air Cleaner	1
●★883	272293	Gasket – Exhaust	1

★ Included in Gasket Set—Part No. 494241.  
 ◆ Included in Carburetor Gasket Set—Part No. 494385.

● Included in Carburetor Kit—Part No. 499220.  
 ● Included in Valve Overhaul Gasket Set—Part No. 498539.



Assemblies include all parts shown in frames.

## ENGINE BRIGGS & STRATTON MODEL 28M707-1182-E1

Ref. No.	Part No.	Description	No. Used
182	223925	Bracket - Tank Mounting (R.H.)	1
182A	498194	Bracket - Tank Mounting (L.H.)	1
188	94480	Screw - Hex.	1
201	262767	Link - Governor	1
209	260871	Spring - Governor	1
216	262766	Link - Choke	1
222	495611	Bracket - Control	1
232	262785	Spring - Link	1
265	221535	Clamp - Casing	1

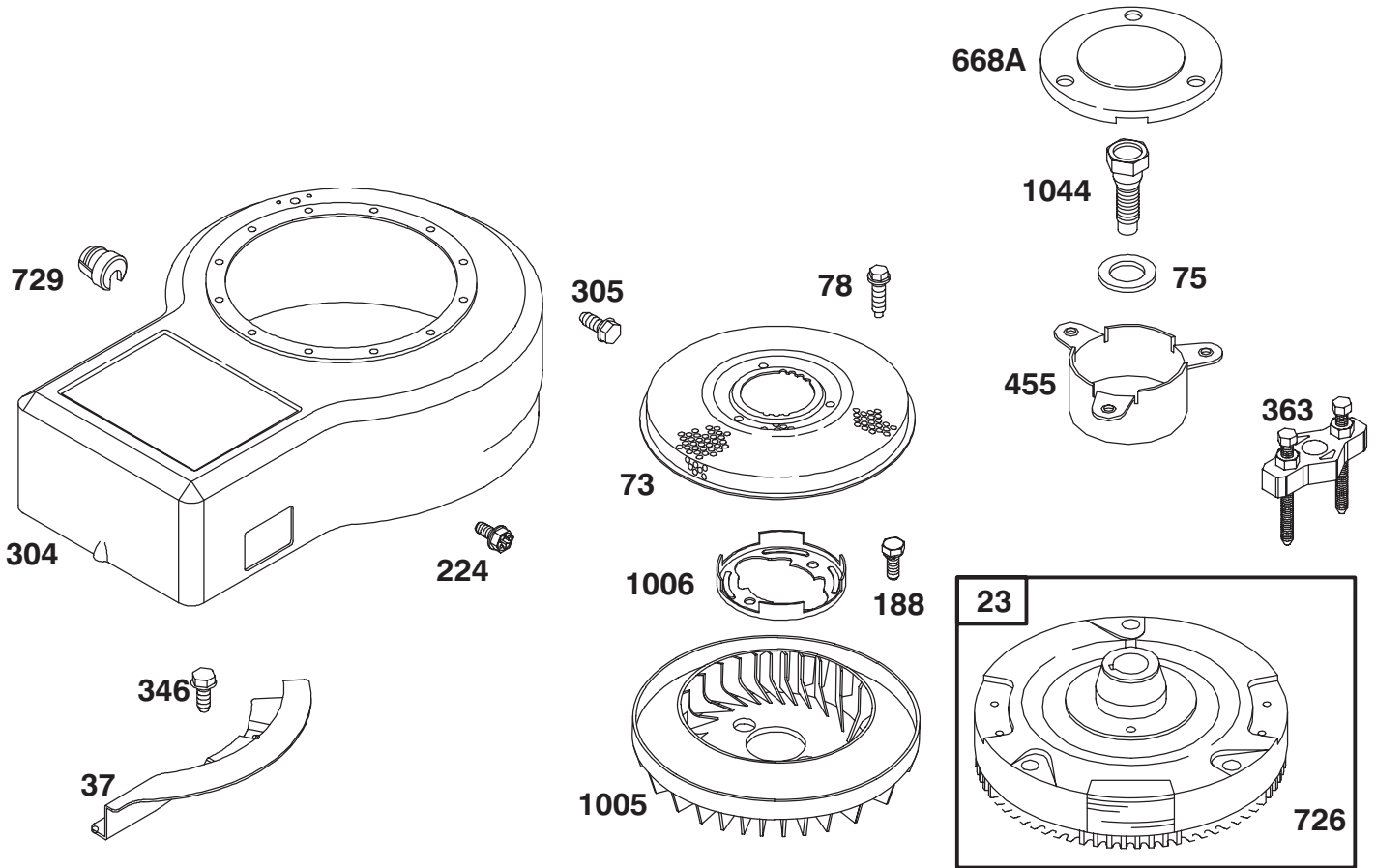
Ref. No.	Part No.	Description	No. Used
333	492341	Armature - Magneto	1
334	94731	Screw - Hex.	1
356	494328	Wire - Stop	1
474	391529	Alternator	1
482	93621	Screw - Hex.	1
527	221428	Clamp - Tube	1
657	94906	Screw - Hex.	1
663	94929	Screw - Hex.	1
683	94602	Screw - Hex.	1
851	493880	Terminal - Ignition Cable	1
877	393814	Wire - Alternator	1

★ Included in Gasket Set—Part No. 494241.

◆ Included in Carburetor Gasket Set—Part No. 494385.

● Included in Carburetor Kit—Part No. 499220.

● Included in Valve Overhaul Gasket Set—Part No. 498539.



Assemblies include all parts shown in frames.

## ENGINE BRIGGS & STRATTON MODEL 28M707-1182-E1

Ref. No.	Part No.	Description	No. Used
23	492326	Flywheel	1
37	224502	Guard - Flywheel	1
73	224948	Screen - Rotating	1
75	225136	Washer - Flywheel	1
78	94626	Screw - Phillips	1
188	94627	Screw - Hex.	1
224	94905	Screw - Torx® Hex.	1
304	496431	Housing - Blower	1
305	94786	Screw - Hex.	1
346	94896	Screw - Hex.	1

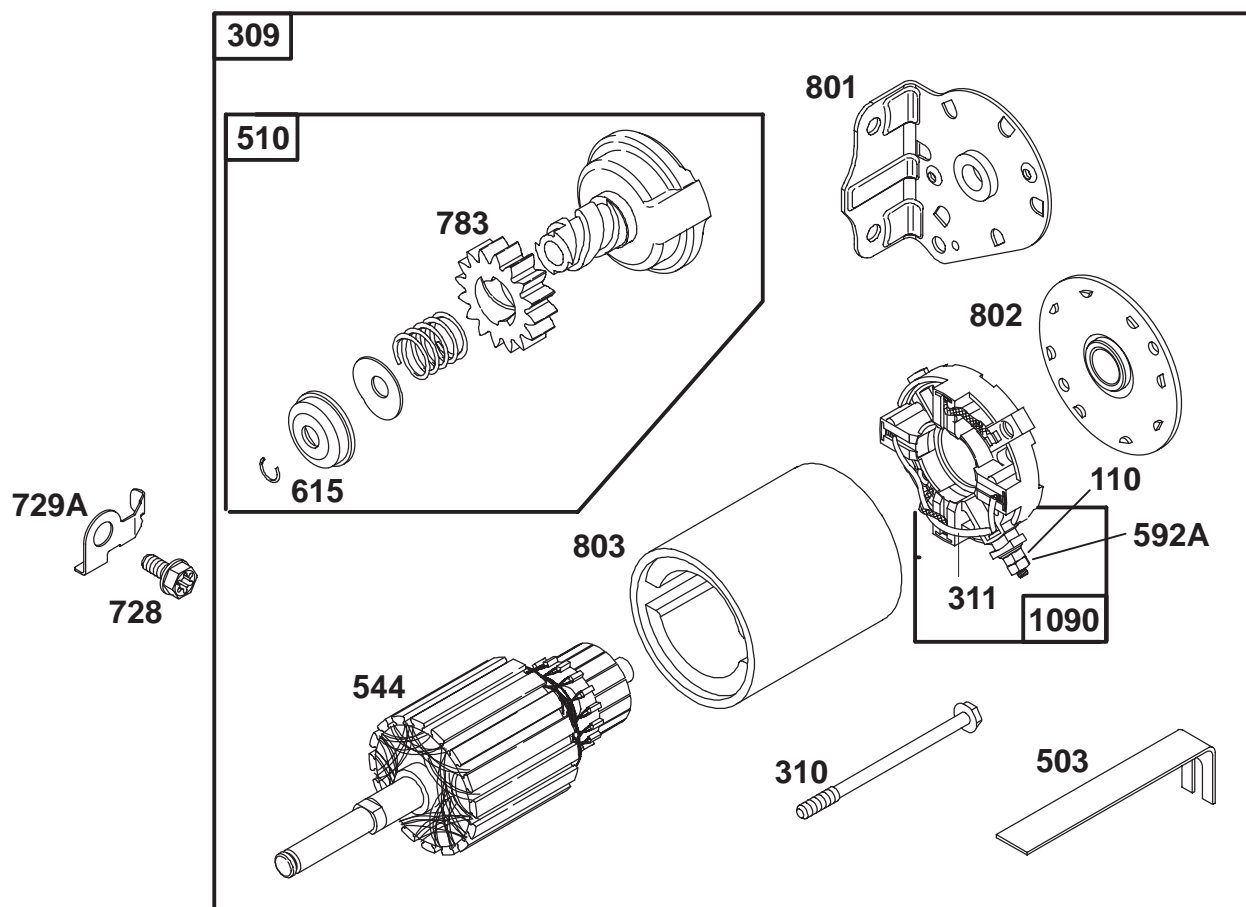
Ref. No.	Part No.	Description	No. Used
363	19203	Puller - Flywheel	1
455	222561	Cup - Flywheel	1
668A	280848	Spacer	1
726	392134	Gear - Ring (Includes Mtg Hardware)	1
729	281159	Clip - Wire	1
1005	281400	Fan - Flywheel	1
1006	224413	Retainer - Fan	1
1044	94673	Screw - Shoulder	1

★ Included in Gasket Set—Part No. 494241.

◆ Included in Carburetor Gasket Set—Part No. 494385.

● Included in Carburetor Kit—Part No. 499220.

● Included in Valve Overhaul Gasket Set—Part No. 498539.



Assemblies include all parts shown in frames.

## ENGINE BRIGGS & STRATTON MODEL 28M707-1182-E1

Ref. No.	Part No.	Description	No. Used
110	225137	Washer - Flat	1
309	497595	Motor - Starter	1
310	94003	Bolt - Thru	1
311	497608	Brush Set	1
503	806000	Strap - Starter	1
510	497606	Drive - Starter	1
544	497603	Armature - Starter	1
592A	92278	Nut - Hex.	1

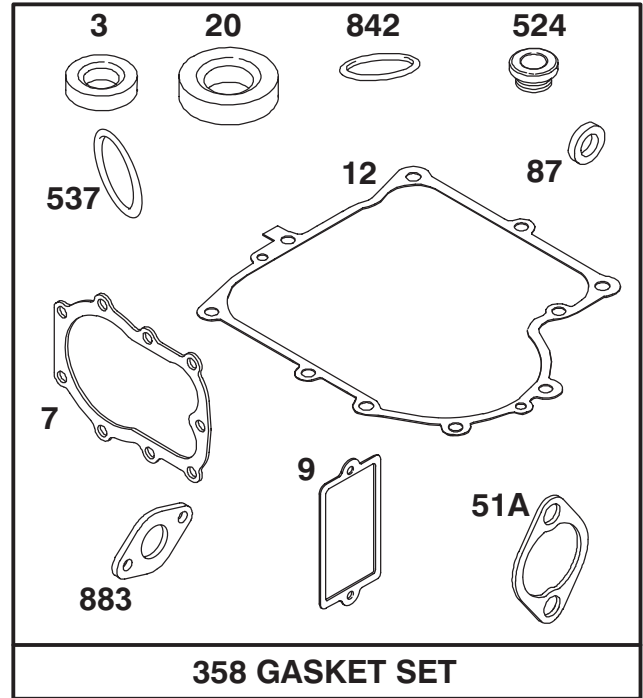
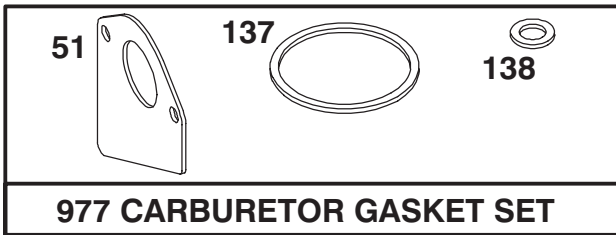
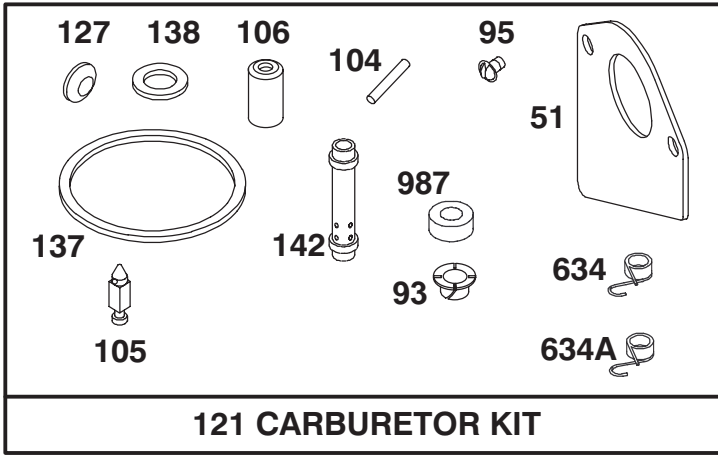
Ref. No.	Part No.	Description	No. Used
615	263080	Ring - Retaining	1
728	94951	Screw - Torx®	1
729A	225170	Clip - Wire	1
783	280104	Gear - Starter	1
801	394856	Cap - Drive	1
802	497607	Cap - End	1
803	497604	Housing - Starter	1
1090	497605	Retainer - Brush	1

★ Included in Gasket Set—Part No. 494241.

◆ Included in Carburetor Gasket Set—Part No. 494385.

● Included in Carburetor Kit—Part No. 499220.

● Included in Valve Overhaul Gasket Set—Part No. 498539.



Assemblies include all parts shown in frames.

## ENGINE BRIGGS & STRATTON MODEL 28M707-1182-E1

Ref. No.	Part No.	Description	No. Used
★3	391086	Seal – Oil	1
★●7	271866	Gasket – Cylinder Head	1
★●9	27803	Gasket – Valve Cover	1
★12	271916	Gasket – Crankcase (.015" Thick)	1
★	271997	Gasket – Crankcase (.005" Thick)	1
★	271996	Gasket – Crankcase (.009" Thick)	1
★20	291675	Seal – Oil	1
◆●51	272465	Gasket – Carburetor (Carb. to Manifold)	1
★●51A	272554	Gasket – Carburetor (Manifold to Cylinder)	1
★87	491323	Seal – Governor Shaft	1
●93	281346	Bushing – Throttle Shaft	1
●95	94098	Screw – Throttle	1
●104	231789	Pin – Float Hinge	1
●105	231855	Valve – Float Needle	1

Ref. No.	Part No.	Description	No. Used
●106	231854	Seat – Inlet	1
121	499220	Carburetor Kit	1
●127		Plug – Welch (Sold in Kit Only)	1
◆●137	281165	Gasket – Float Bowl	1
◆●138	281164	Washer – Float Bowl Screw	1
●142	494566	Nozzle – Carburetor	1
358	494241	Gasket Set	1
★524	281370	Seal – Fill Tube	1
★●537	281106	Gasket – Air Cleaner	1
●634	494453	Seal – Spring Assembly	1
●634A	494455	Seal – Spring Assembly	1
★842	270920	Seal – O-Ring	1
●★883	272293	Gasket – Exhaust	1
977	494385	Carburetor Gasket Set	1
●987	281166	Seal – Throttle Shaft	1
1095	498539	Gasket Set – Valve Overhaul	1

★ Included in Gasket Set—Part No. 494241.  
 ◆ Included in Carburetor Gasket Set—Part No. 494385.

● Included in Carburetor Kit—Part No. 499220.  
 ● Included in Valve Overhaul Gasket Set—Part No. 498539.



