



**Count on it.**

**Parts Catalog**

**Greensmaster® Flex™ 1018  
Traction Unit**

Model No. 04850—Serial No. 409300000 and Up



# Ordering Replacement Parts

To order replacement parts, please supply the part number, the quantity, and the description of each part desired.

## Understanding Reference Numbers

Each identified part in an illustration has a reference number. The reference number for a part also appears in the parts list, along with other information about the part.

This catalog uses two special reference number formats, one to indicate parts in a service assembly and another to indicate the quantity of a given part in an illustration.

## Service Assembly Reference Numbers

Parts in service assemblies have reference numbers in the form a:b. The a represents the reference number of the entire service assembly and the b represents a sequential number unique to each part within the service assembly.

For example, a wheel assembly might be identified by reference number 6, the tire by 6:1, the valve by 6:2, and the wheel by 6:3. When you order the assembly identified by reference number 6, you receive all parts identified by reference numbers 6:1, 6:2, and 6:3. However, you may also order any part individually. Reference numbers of this type appear in illustration and in parts lists.

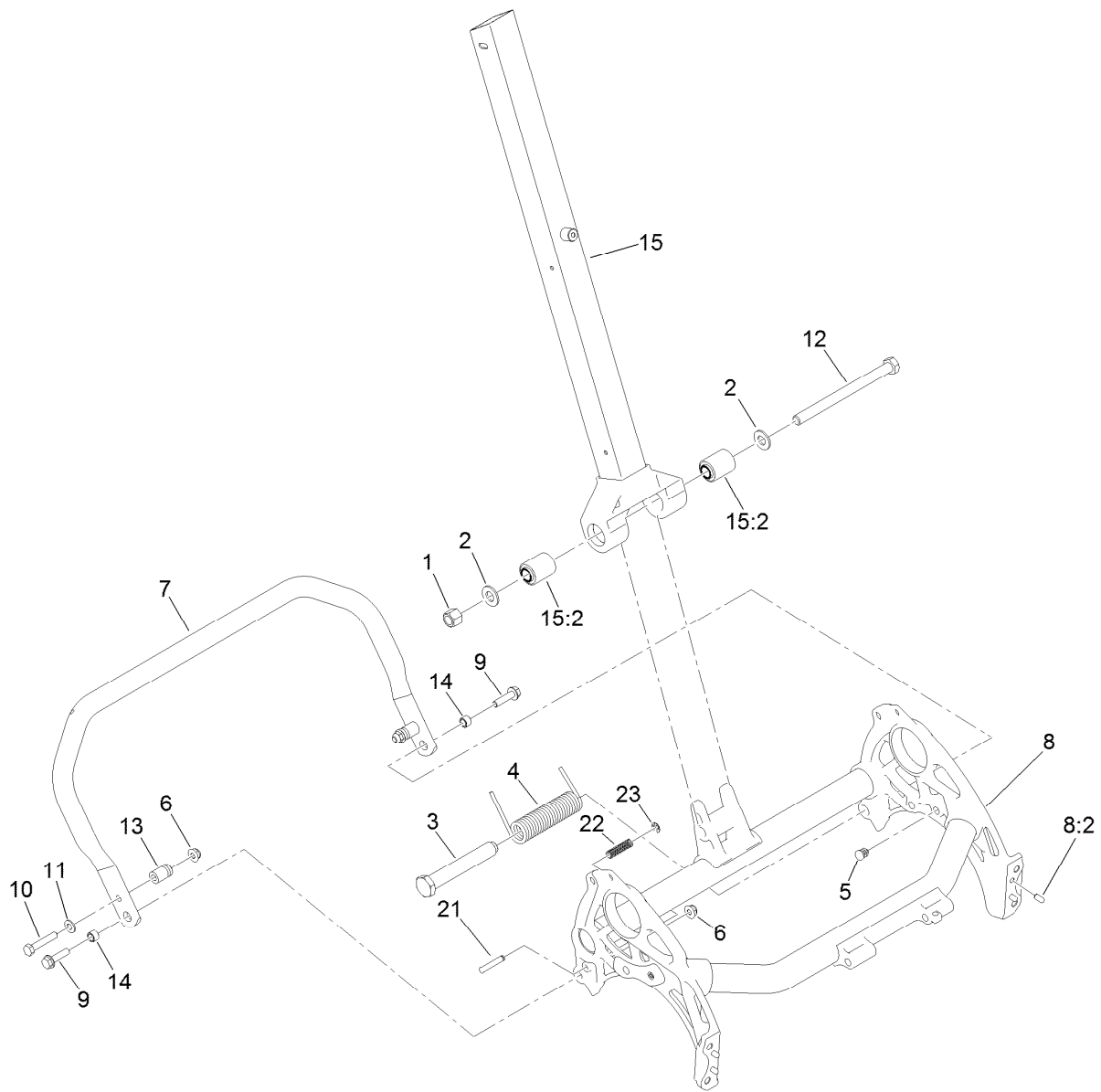
## Reference Numbers Indicating Quantity

In an illustration, if a reference number indicates more than one part, the reference number has the form nX y. The n represents the quantity of the part, the X is the multiplication symbol, and the y represents the reference number.

For example, in an illustration, the reference number 2X 37 means that two of the parts identified by reference number 37 are indicated.

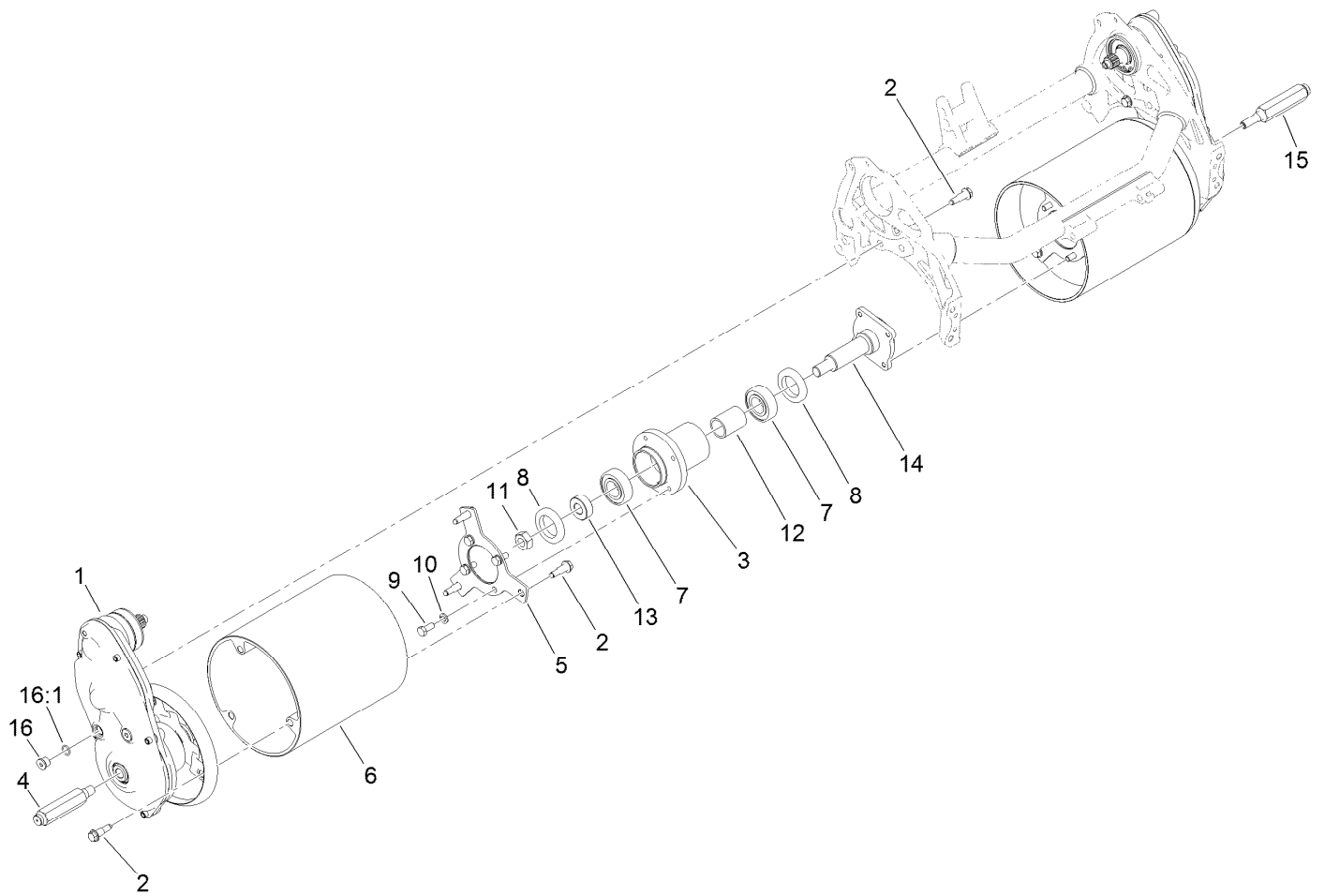
# Contents

|   |    |
|---|----|
| Frame and Handle Mount Assembly .....                                       | 4  |
| Drum Drive Assembly .....   | 5  |
| Drum Drive Replacement Kit Assembly No. 140-9329 .....                      | 6  |
| Drum Drive Gearbox Assembly .....   | 7  |
| Transmission Assembly .....   | 8  |
| Transmission Gearbox Assembly No. 140-9324 Transmission Case Assembly ..... | 9  |
| Transmission Gearbox Assembly No. 140-9324 Reel Drive Assembly .....        | 10 |
| Transmission Gearbox Assembly No. 140-9324 Traction Drive Assembly .....    | 11 |
| Differential Assembly No. 132-4555 .....                                    | 12 |
| Engine Assembly .....   | 13 |
| Engine Assembly No. 138-2142 .....  | 14 |
| Frame Assembly .....  | 15 |
| Grass Basket Assembly No. 121-4710 .....                                    | 16 |
| Basket Assembly No. 130-6750 .....  | 17 |
| Reel Controls and Covers Assembly .....                                     | 18 |
| Upper Receiver Assembly No. 140-9323 .....                                  | 19 |
| Upper Handle Assembly .....   | 20 |
| Traction Bail Assembly .....  | 21 |
| Miscellaneous Parts Assembly .....  | 22 |
| Attachments and Accessories .....   | 23 |



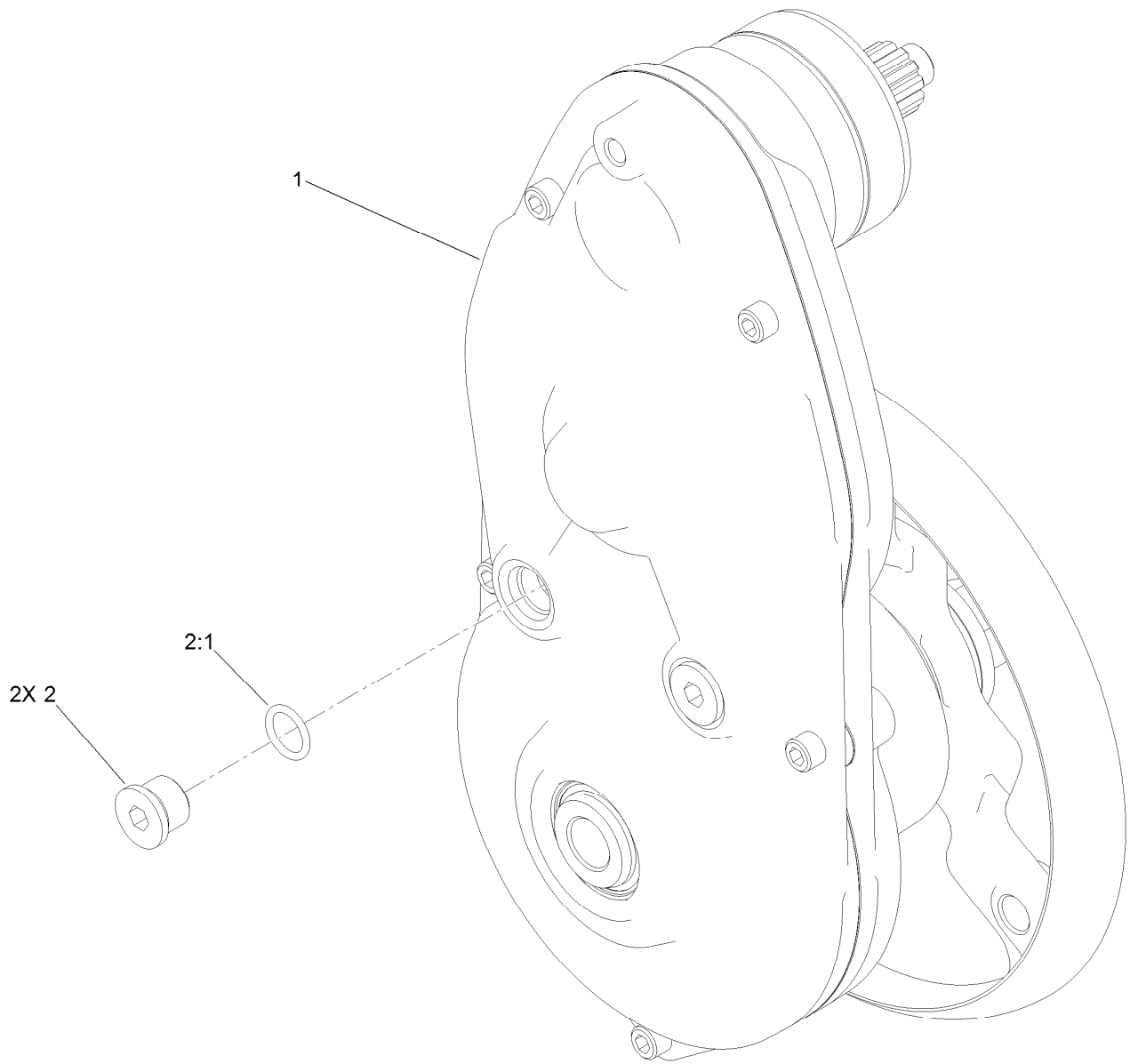
## Frame and Handle Mount Assembly

| <i>Ref.</i> | <i>Part Number</i> | <i>Qty.</i> | <i>Description</i> | <i>Ref.</i> | <i>Part Number</i> | <i>Qty.</i> | <i>Description</i>  |
|-------------|--------------------|-------------|--------------------|-------------|--------------------|-------------|---------------------|
| 1           | 3296-23            | 1           | Nut-Lock, NI       | 10          | 322-9              | 2           | Screw-HH            |
| 2           | 3256-26            | 2           | Washer-Flat        | 11          | 3256-23            | 2           | Washer-Plain        |
| 3           | 138-1510           | 1           | Pin-Mount, Spring  | 12          | 325-33             | 1           | Screw-HH            |
| 4           | 138-1459           | 1           | Spring-Torsion, LH | 13          | 65-7900            | 2           | Retainer-Spring     |
| 5           | 139-4326           | 2           | Plug-Plastic       | 14          | 65-7910            | 2           | Spacer              |
| 6           | 119-4041           | 3           | Nut-HF             | 15          | 137-0292           | 1           | Lower Handle ASM    |
| 7           | 138-1576-03        | 1           | Kickstand-18 Inch  | 15:2        | 138-1469           | 2           | Bushing-Straight    |
| 8           | 138-1646           | 1           | 18 Inch Frame ASM  | 21          | 139-7431           | 1           | Pin-Kickstand, Lock |
| 8:2         | 95-0715            | 4           | Pin-Dowel          | 22          | 73-3450            | 1           | Spring-Compression  |
| 9           | 112-6913           | 2           | Screw-HHF          | 23          | 32151-86           | 1           | E-Ring              |



## Drum Drive Assembly

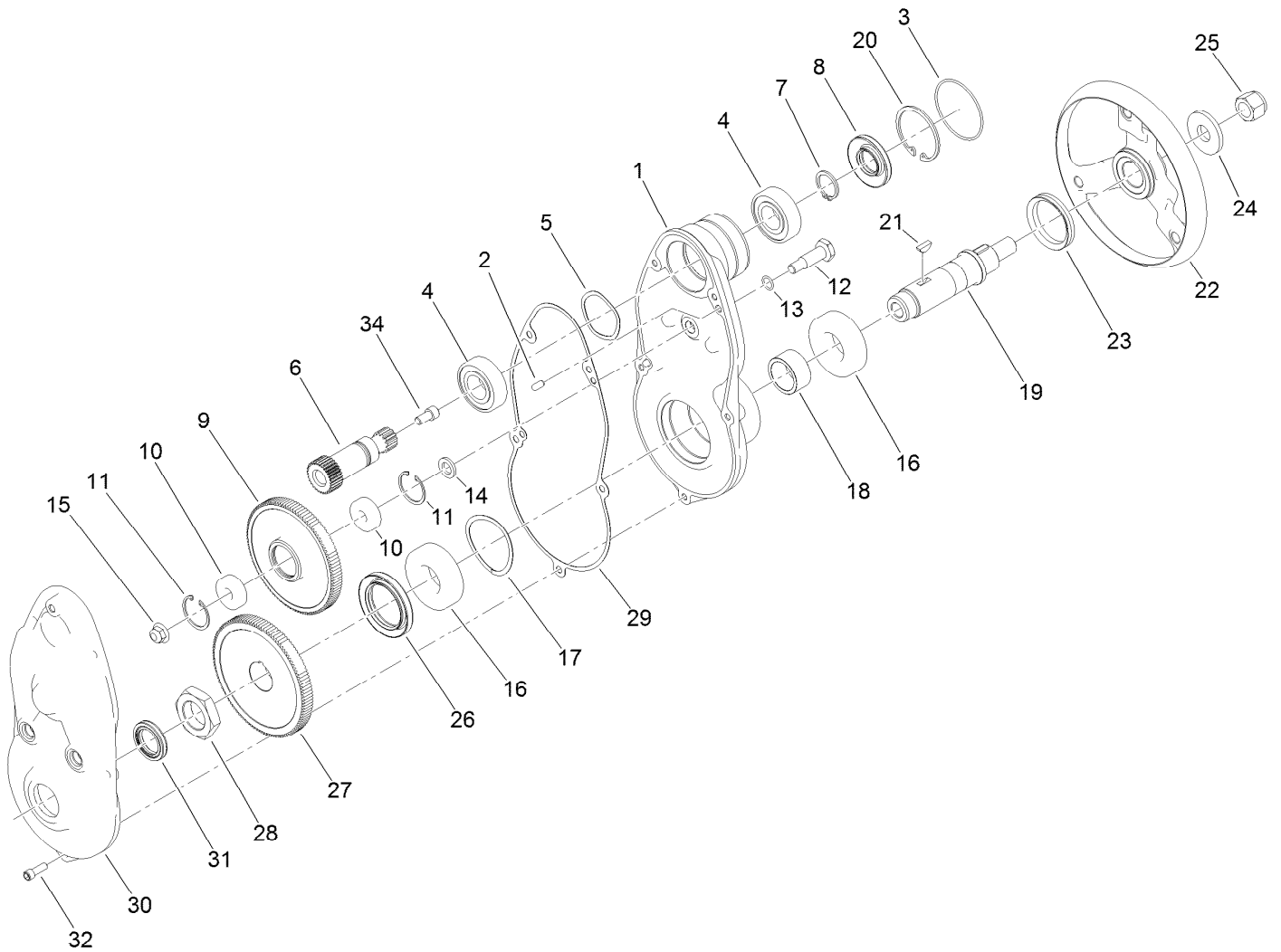
| <i>Ref.</i> | <i>Part Number</i> | <i>Qty.</i> | <i>Description</i>         | <i>Ref.</i> | <i>Part Number</i> | <i>Qty.</i> | <i>Description</i> |
|-------------|--------------------|-------------|----------------------------|-------------|--------------------|-------------|--------------------|
| 1           | 140-9329           | 1           | Kit-Drum Drive Replacement | 9           | 322-3              | 8           | Screw-HH           |
| 2           | 132-4607           | 14          | Bolt-Shoulder, Flange      | 10          | 3253-4             | 8           | Washer-Lock        |
| 3           | 132-6971           | 1           | Hub-Drum                   | 11          | 3296-33            | 1           | Nut-Lock, NI       |
| 4           | 132-4605           | 1           | Shaft-Hex, RH              | 12          | 65-6520            | 1           | Spacer             |
| 5           | 140-9319           | 2           | Plate-Drum, Hub            | 13          | 65-6530            | 1           | Spacer             |
| 6           | 139-4364           | 2           | Drum-Traction, Flex        | 14          | 94-5850            | 1           | Spindle-Drum       |
| 7           | 251-82             | 2           | Bearing-Ball               | 15          | 132-4606           | 1           | Shaft-Hex, LH      |
| 8           | 253-159            | 2           | Seal                       | 16          | 353-989            | 4           | Plug-Hex, Hollow   |
|             |                    |             |                            | 16:1        | 237-42             | 1           | O-Ring             |



## Drum Drive Replacement Kit Assembly No. 140-9329

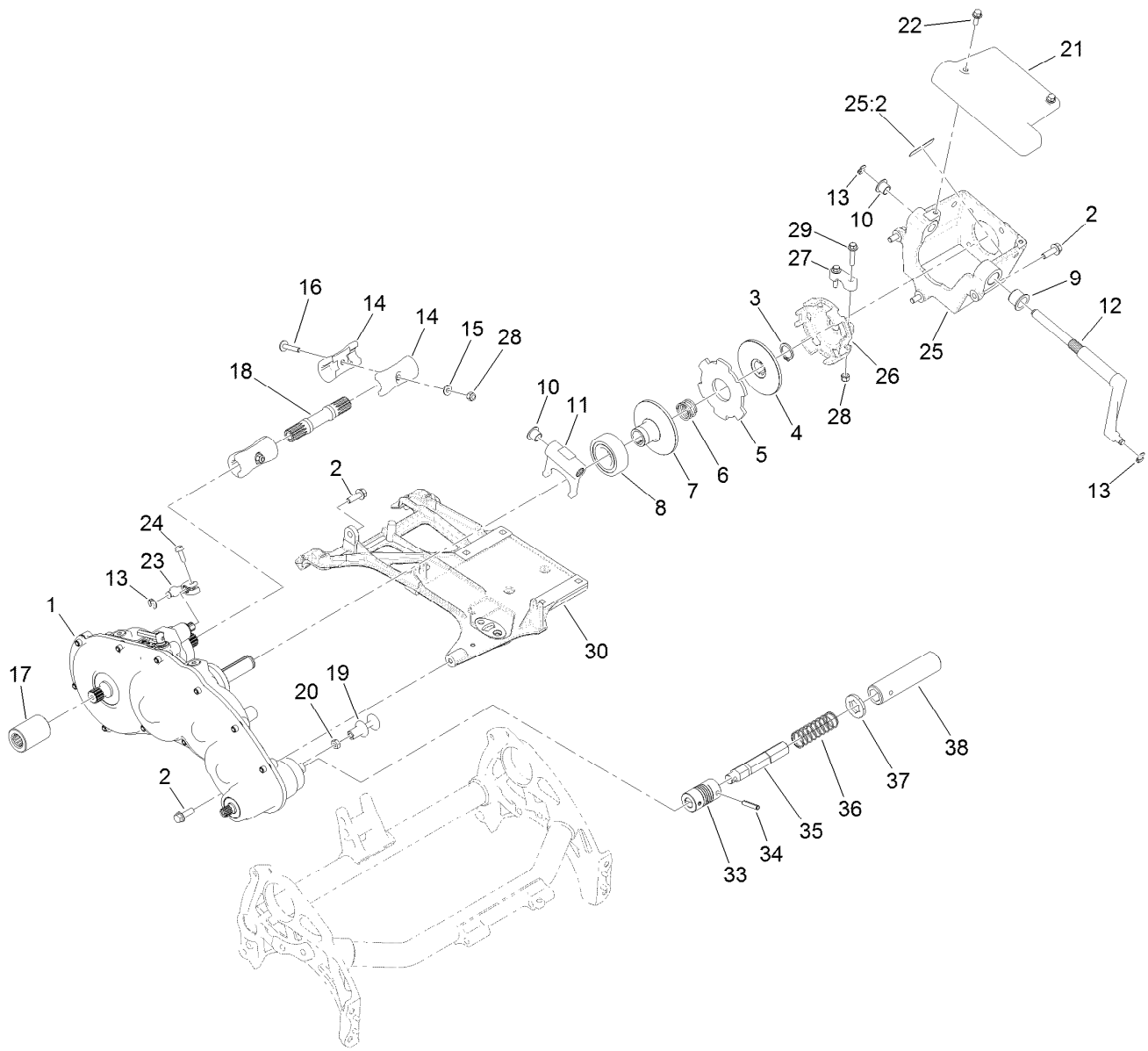
| <i>Ref.</i> | <i>Part Number</i> | <i>Qty.</i> | <i>Description</i>        |
|-------------|--------------------|-------------|---------------------------|
| 1           |                    | 1           | Drum Drive Gear Box ASM ● |
| 2           | 353-989            | 2           | Plug-Hex, Hollow          |
| 2:1         | 237-42             | 1           | O-Ring                    |

● Not serviced separately



## Drum Drive Gearbox Assembly

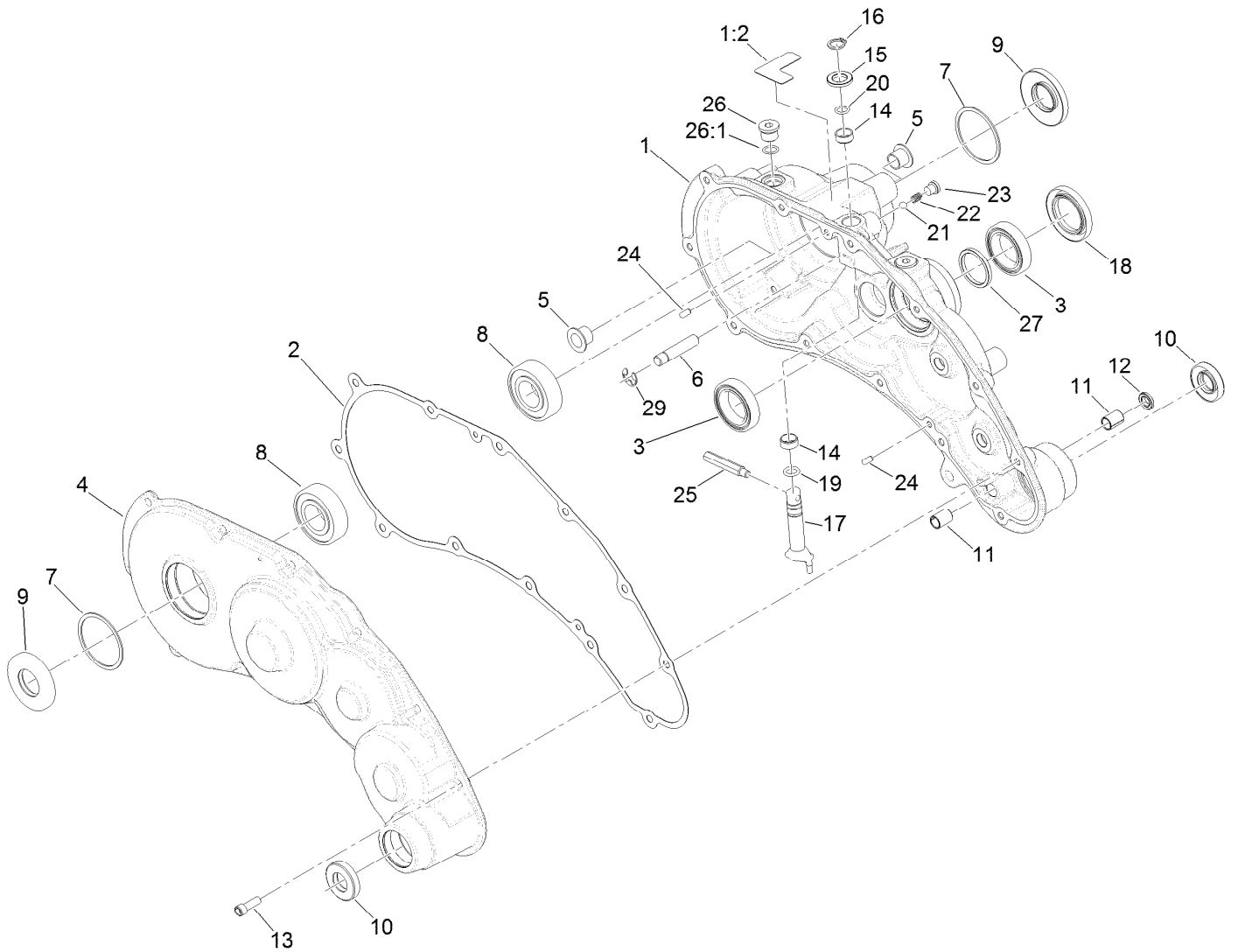
| Ref. | Part Number | Qty. | Description                | Ref. | Part Number | Qty. | Description                |
|------|-------------|------|----------------------------|------|-------------|------|----------------------------|
| 1    | 137-0282    | 1    | Housing-Drive, Drum        | 17   | 115-5258    | 1    | Spring-Wire, Flat          |
| 2    | 133-4591    | 2    | Pin-Dowel                  | 18   | 132-4568    | 1    | Spacer                     |
| 3    | 133-9082    | 1    | O-Ring                     | 19   | 133-4562    | 1    | Shaft-Drum, Drive          |
| 4    | 251-82      | 2    | Bearing-Ball               | 20   | 138-1480    | 1    | Ring-Retaining, Int (52MM) |
| 5    | 3290-485    | 1    | Washer-Wave                | 21   | 138-1504    | 2    | Key-Woodruff, 5MM          |
| 6    | 132-4565    | 1    | Gear-Spur, 30T             | 22   | 133-9244    | 1    | Hub-Drum, Outer            |
| 7    | 138-1507    | 1    | Ring-Retaining, EXT (25MM) | 23   | 253-161     | 1    | Seal-V-Ring                |
| 8    | 138-1491    | 1    | Seal-Oil                   | 24   | 104-9216    | 1    | Washer-Hardened            |
| 9    | 137-0274    | 1    | Gear-Spur, 108T            | 25   | 126-3841    | 1    | Nut-Hex, NI                |
| 10   | 49-2410     | 2    | Bearing-Ball               | 26   | 138-1490    | 1    | Seal-Oil                   |
| 11   | 138-1506    | 2    | Ring-Retaining, Int (32MM) | 27   | 137-0275    | 1    | Gear-Spur, 114T            |
| 12   | 133-4558    | 1    | Pin-Bearing, Short         | 28   | 133-9078    | 1    | Nut-Hex                    |
| 13   | 80-8460     | 1    | O-Ring                     | 29   | 132-4569    | 1    | Gasket-Drive, Drum         |
| 14   | 133-4553    | 1    | Spacer-Bearing             | 30   | 137-0284    | 1    | Cover-Drive, Drum          |
| 15   | 119-4042    | 1    | Nut-HF, NI                 | 31   | 133-4559    | 1    | Seal-Oil                   |
| 16   | 251-312     | 2    | Bearing-Ball               | 32   | 140-9233    | 5    | Screw-HSH                  |
|      |             |      |                            | 34   | 3274-12     | 1    | Screw-HSH                  |



## Transmission Assembly

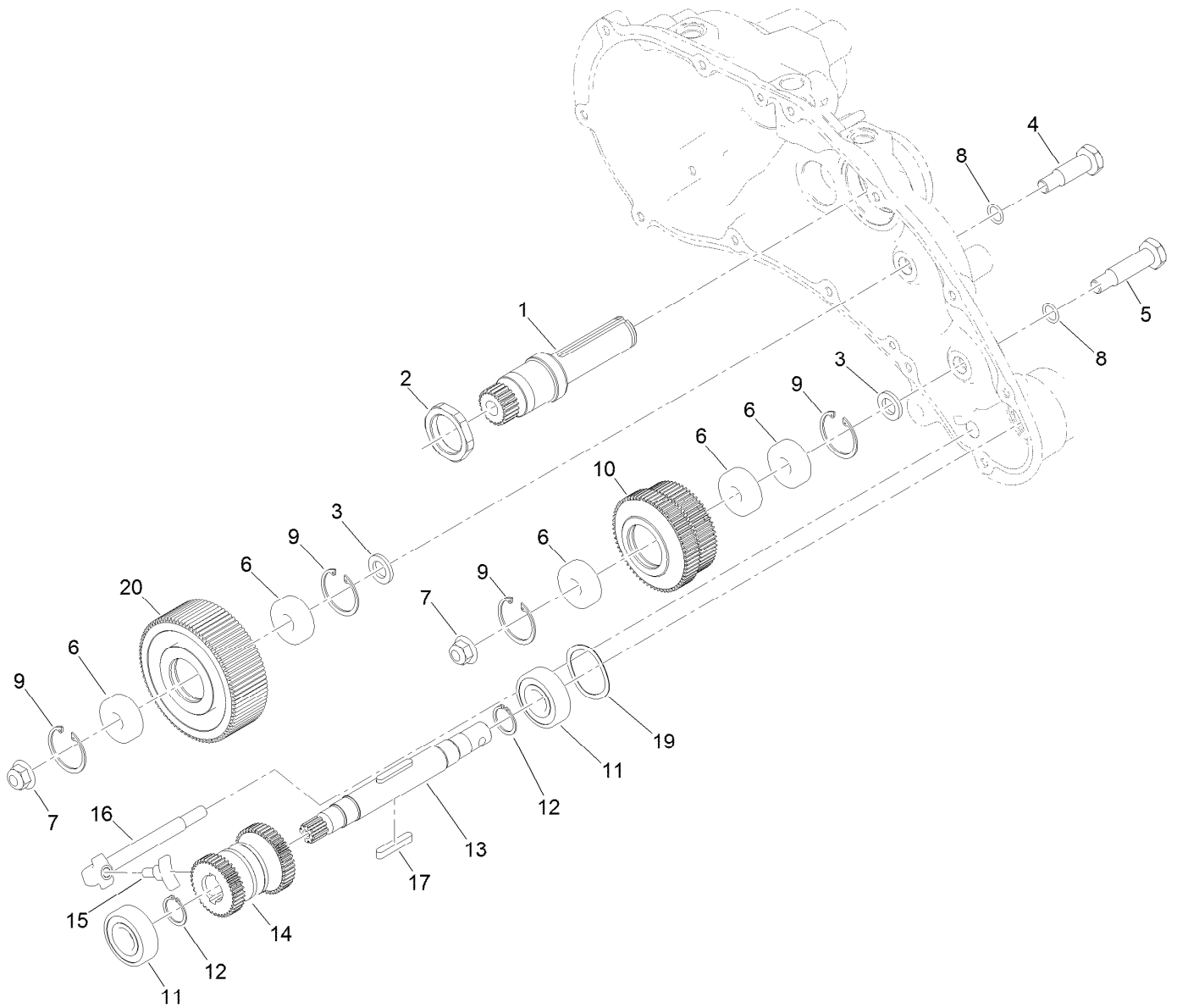
| Ref. | Part Number | Qty. | Description                   | Ref. | Part Number | Qty. | Description                 |
|------|-------------|------|-------------------------------|------|-------------|------|-----------------------------|
| 1    | 140-9324    | 1    | Kit-Transmission Replacement  | 19   | 133-9207    | 1    | Adapter-Slider              |
| 2    | 115-5142    | 5    | Screw-HHF                     | 20   | 120-9638    | 1    | Nut-Jam                     |
| 3    | 32151-33    | 1    | Ring-Retaining, EXT           | 21   | 138-5545    | 1    | Cover-Clutch                |
| 4    | 133-9095    | 1    | Disc-Clutch                   | 22   | 120-9678    | 2    | Screw-HHF                   |
| 5    | 133-9094    | 1    | Plate-Friction                | 23   | 133-9117    | 1    | Lever-Brake, Cable          |
| 6    | 133-9123    | 1    | Spring-Compression, Clutch    | 24   | 131-6150    | 1    | Screw-HWHTF                 |
| 7    | 138-1508    | 1    | Disc-Clutch, Slider           | 25   | 139-4301    | 1    | Bell Housing ASM            |
| 8    | 138-1505    | 1    | Bearing-Sealed, Self Aligning | 25:2 | 120-9570    | 1    | Decal-Warning               |
| 9    | 132-4089    | 1    | Bushing                       | 26   | 138-3542    | 1    | Hub-Clutch, External        |
| 10   | 125-5239    | 2    | Bushing-Flange                | 27   | 138-5522    | 1    | Clamp-Hub, Clutch           |
| 11   | 138-3548    | 1    | Fork-Clutch                   | 28   | 3296-42     | 4    | Nut-Lock, NI                |
| 12   | 138-3549    | 1    | Shaft-Fork                    | 29   | 127-8639    | 2    | Screw-HHF                   |
| 13   | 32151-47    | 3    | Ring-Retaining                | 30   | 138-5517    | 1    | Base-Engine                 |
| 14   | 133-9100    | 4    | Coupler-Splined, 4 Tooth      | 33   | 133-2341    | 1    | Coupling-Helical            |
| 15   | 119-8952    | 2    | Washer                        | 34   | 125-3542    | 2    | Pin-Spring                  |
| 16   | 126-8232    | 2    | Screw-Truss                   | 35   | 139-7399    | 1    | Shaft-Coupler               |
| 17   | 138-1615    | 1    | Tube-Drive                    | 36   | 140-3407    | 1    | Spring-Compression, Coupler |
| 18   | 139-4327    | 1    | Shaft-Drive, 18 Inch          | 37   | 139-7391    | 1    | Collar-Lock                 |
|      |             |      |                               | 38   | 110-2390    | 1    | Tube-Hex                    |





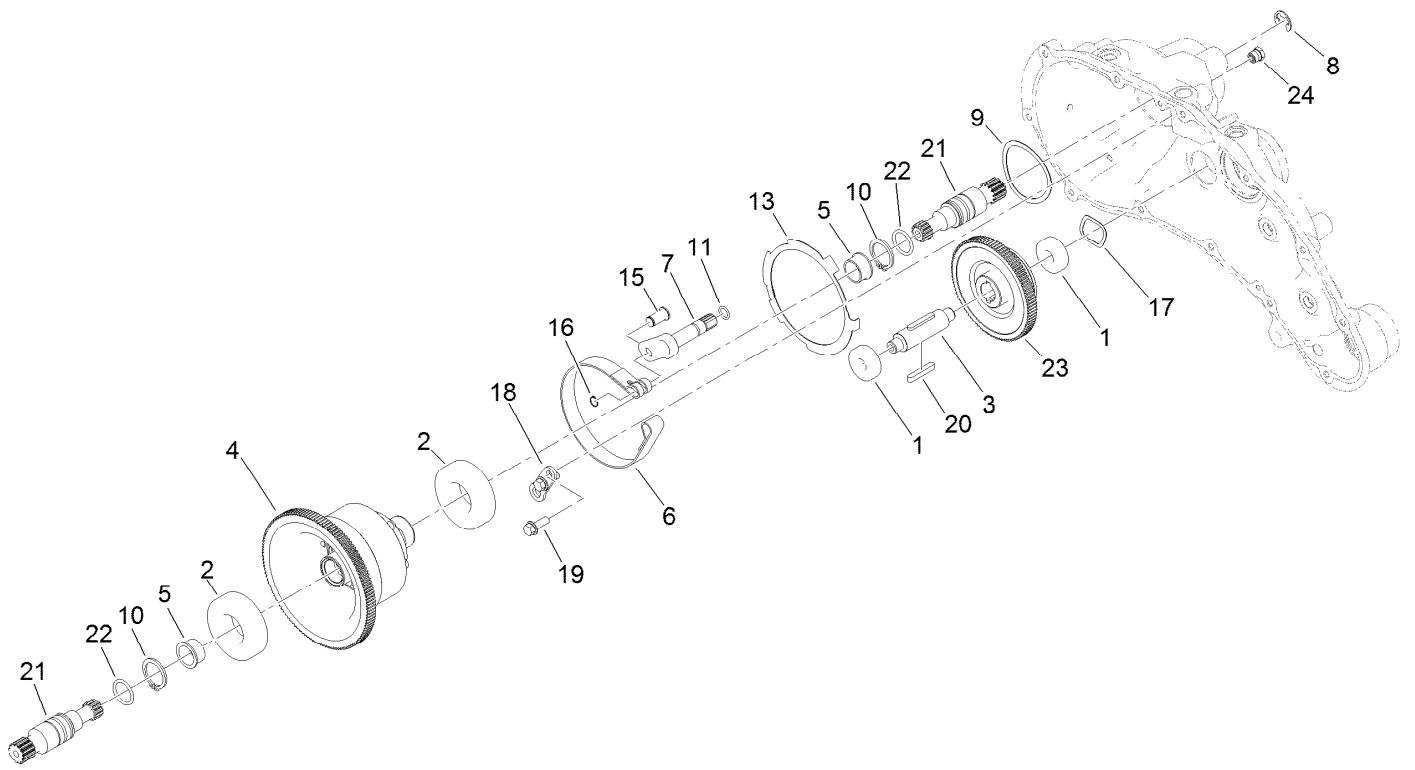
## Transmission Gearbox Assembly No. 140-9324 Transmission Case Assembly

| <i>Ref.</i> | <i>Part Number</i> | <i>Qty.</i> | <i>Description</i>       | <i>Ref.</i> | <i>Part Number</i> | <i>Qty.</i> | <i>Description</i>       |
|-------------|--------------------|-------------|--------------------------|-------------|--------------------|-------------|--------------------------|
| 1           | 139-4306           | 1           | Transmission Housing ASM | 15          | 108-5059           | 1           | Spacer-Bushing           |
| 1:2         | 138-1644           | 1           | Decal-Release, Traction  | 16          | 32151-61           | 1           | Ring-Retaining           |
| 2           | 132-4551           | 1           | Gasket-Transmission      | 17          | 130-6816           | 1           | Shaft-Selector, Traction |
| 3           | 121-9281           | 2           | Bearing-Ball             | 18          | 140-9325           | 1           | Seal-Grease, High Temp   |
| 4           | 138-1603           | 1           | Transmission Cover ASM   | 19          | 131-1879           | 1           | O-Ring Seal              |
| 5           | 125-5239           | 2           | Bushing-Flange           | 20          | 237-22             | 1           | O-Ring                   |
| 6           | 133-9122           | 1           | Pin-Mount, Brake         | 21          | 105-2442           | 1           | Ball-Detent              |
| 7           | 32151-92           | 2           | Ring-Retaining           | 22          | 105-2443           | 1           | Spring-Detent            |
| 8           | 251-82             | 2           | Bearing-Ball             | 23          | 131-1825           | 2           | Plug-ORB                 |
| 9           | 133-9075           | 2           | Seal-Oil                 | 24          | 121-9249           | 2           | Pin-Dowel                |
| 10          | 130-9463           | 2           | Seal-Oil                 | 25          | 133-9149           | 1           | Pin-Groomer              |
| 11          | 131-3038           | 2           | Bushing-Sleeve           | 26          | 353-989            | 2           | Plug-Hex, Hollow         |
| 12          | 131-3126           | 1           | Seal-Oil                 | 26:1        | 237-42             | 1           | O-Ring                   |
| 13          | 140-9233           | 12          | Screw-HSH                | 27          | 138-1496           | 1           | Spacer                   |
| 14          | 121-4738           | 2           | Bushing-Straight         | 29          | 105-7004           | 1           | E-Ring                   |



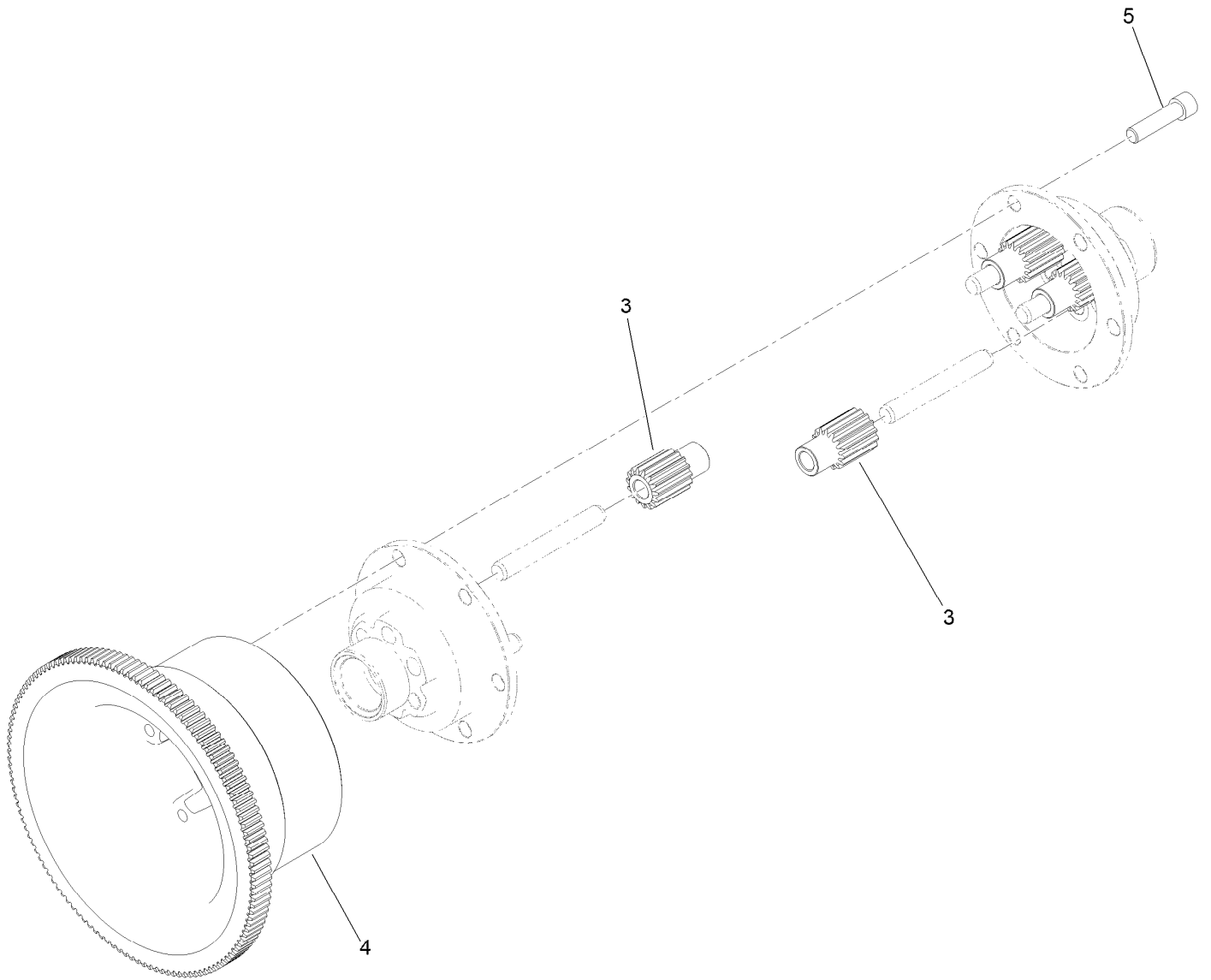
## Transmission Gearbox Assembly No. 140-9324 Reel Drive Assembly

| <i>Ref.</i> | <i>Part Number</i> | <i>Qty.</i> | <i>Description</i>         | <i>Ref.</i> | <i>Part Number</i> | <i>Qty.</i> | <i>Description</i>         |
|-------------|--------------------|-------------|----------------------------|-------------|--------------------|-------------|----------------------------|
| 1           | 138-1509           | 1           | Shaft-Input, 22T           | 11          | 38-7820            | 2           | Bearing-Ball               |
| 2           | 138-1495           | 1           | Nut-Lock, Thin             | 12          | 138-1629           | 2           | Ring-Retaining, EXT (17MM) |
| 3           | 133-4553           | 2           | Spacer-Bearing             | 13          | 139-4359           | 1           | Shaft-Drive, Reel          |
| 4           | 133-4558           | 1           | Pin-Bearing, Short         | 14          | 130-6834           | 1           | Gear-Spur, Slider          |
| 5           | 133-4557           | 1           | Pin-Bearing, Long          | 15          | 133-9120           | 1           | Shoe-Clutch, Reel          |
| 6           | 49-2410            | 5           | Bearing-Ball               | 16          | 133-9121           | 1           | Actuator-Clutch, Reel      |
| 7           | 104-8301           | 2           | Nut-HF, NI                 | 17          | 103-2739           | 2           | Key                        |
| 8           | 80-8460            | 2           | O-Ring                     | 19          | 131-3170           | 1           | Spring-Wave                |
| 9           | 138-1506           | 4           | Ring-Retaining, Int (32MM) | 20          | 137-0273           | 1           | Gear-Spur, 85T             |
| 10          | 137-0272           | 1           | Gear-Spur, 60T/65T         |             |                    |             |                            |



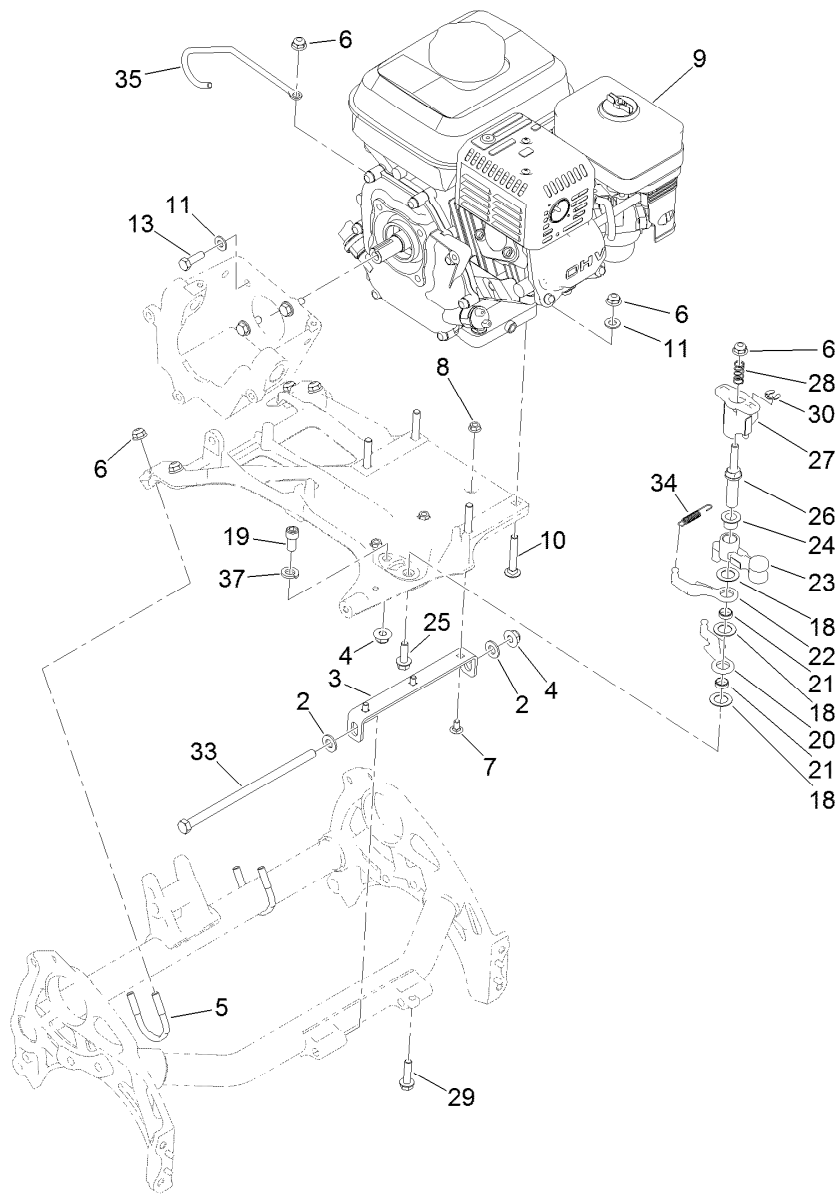
## Transmission Gearbox Assembly No. 140-9324 Traction Drive Assembly

| <i>Ref.</i> | <i>Part Number</i> | <i>Qty.</i> | <i>Description</i>       | <i>Ref.</i> | <i>Part Number</i> | <i>Qty.</i> | <i>Description</i>       |
|-------------|--------------------|-------------|--------------------------|-------------|--------------------|-------------|--------------------------|
| 1           | 49-2410            | 2           | Bearing-Ball             | 13          | 140-9236           | 1           | Plate-Retainer, Brake    |
| 2           | 251-312            | 2           | Bearing-Ball             | 15          | 120-9687           | 1           | Pin-Clevis, Brake        |
| 3           | 137-0236           | 1           | Shaft-Slider, Neutral    | 16          | 32120-46           | 1           | Ring-Retaining           |
| 4           | 132-4555           | 1           | Differential ASM         | 17          | 112-5163           | 1           | Washer-Wave              |
| 5           | 256-252            | 2           | Bearing-Flange           | 18          | 140-9279           | 1           | Plate-Retainer, Pin      |
| 6           | 140-9277           | 1           | Band-Brake               | 19          | 119-1138           | 2           | Screw-HWH                |
| 7           | 132-4550           | 1           | Lever-Brake              | 20          | 103-2739           | 2           | Key                      |
| 8           | 32120-47           | 1           | Ring-Retaining, External | 21          | 130-6841           | 2           | Shaft-Differential       |
| 9           | 115-5258           | 1           | Spring-Wire, Flat        | 22          | 237-159            | 2           | O-Ring                   |
| 10          | 32151-36           | 2           | Ring-Retaining           | 23          | 137-0276           | 1           | Gear-Spur, Neutral (93T) |
| 11          | 237-22             | 1           | O-Ring                   | 24          | 133-4589           | 1           | Fitting-Plug             |



## Differential Assembly No. 132-4555

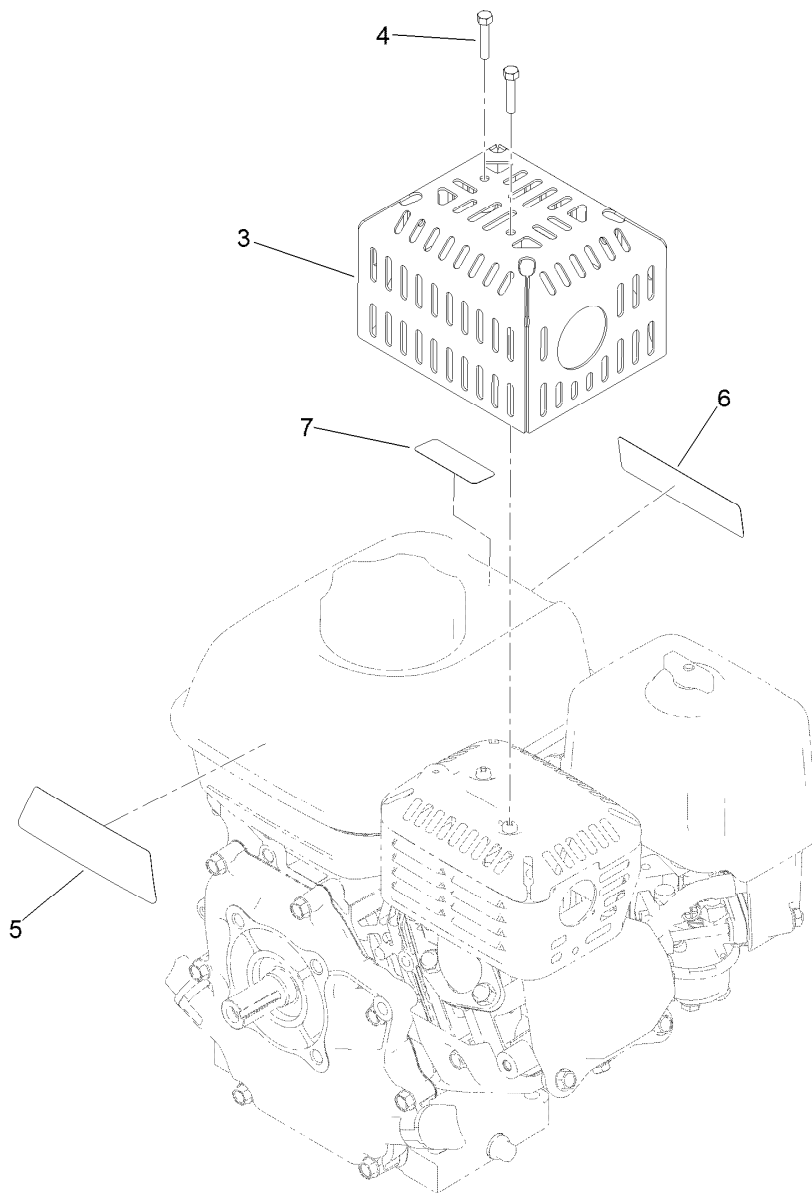
| <i>Ref.</i> | <i>Part Number</i> | <i>Qty.</i> | <i>Description</i>      |
|-------------|--------------------|-------------|-------------------------|
| 3           | 130-6840           | 6           | Gear-Spur, Differential |
| 4           | 137-0294           | 1           | Gear-Differential, 127T |
| 5           | 3274-26            | 6           | Screw-HSH               |



## Engine Assembly

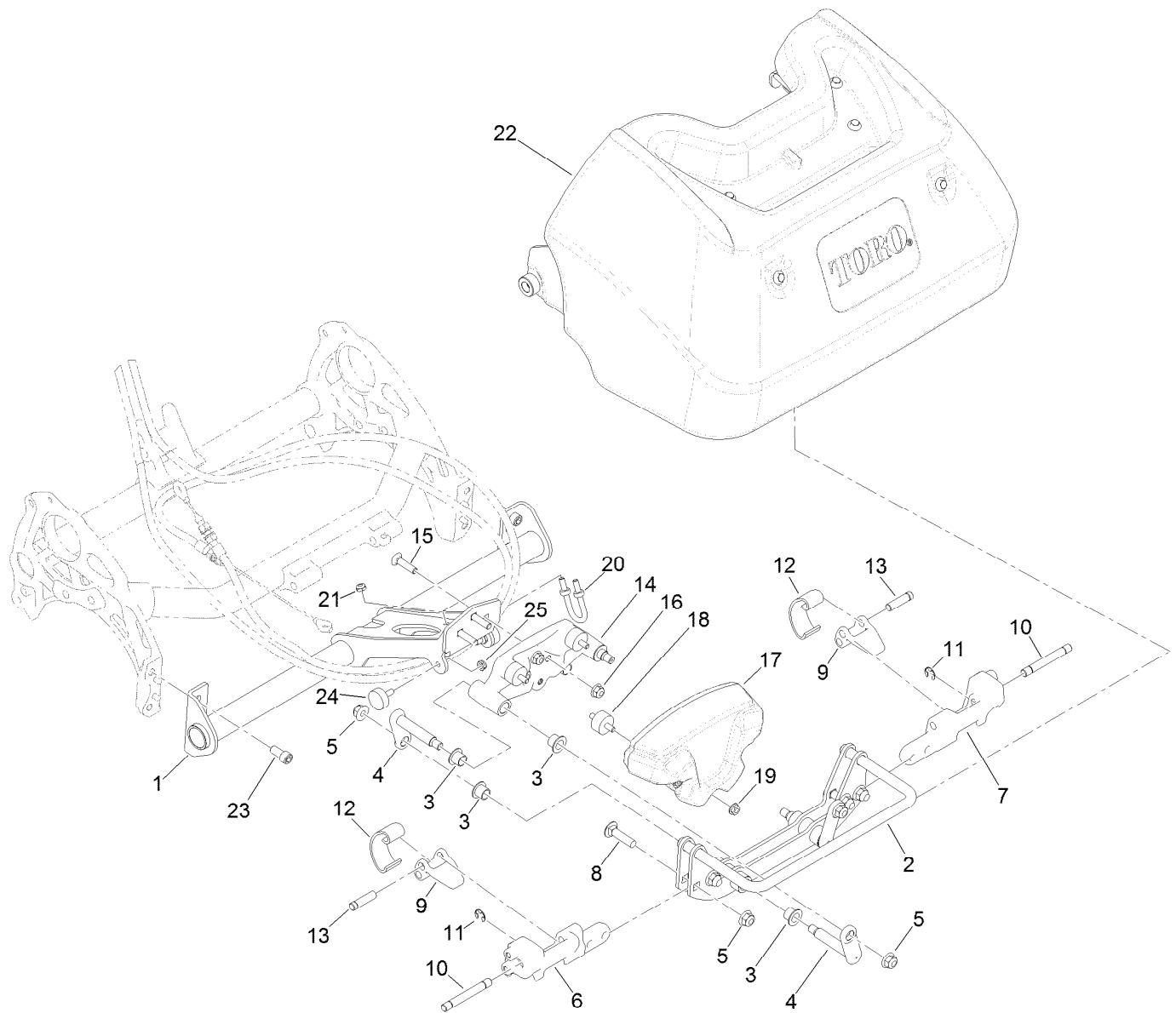
| Ref. | Part Number | Qty. | Description                           | Ref. | Part Number | Qty. | Description          |
|------|-------------|------|---------------------------------------|------|-------------|------|----------------------|
| 2    | 3256-24     | 2    | Washer-Flat                           | 21   | 133-9226    | 2    | Bushing-Straight     |
| 3    | 138-1623-01 | 1    | Bracket-Mount, Engine                 | 22   | 138-1524    | 1    | Lever-Reel           |
| 4    | 119-4042    | 2    | Nut-HF, NI                            | 23   | 133-9206    | 1    | Bellcrank-Reel       |
| 5    | 137-0301    | 2    | Clamp-Tube                            | 24   | 125-5239    | 1    | Bushing-Flange       |
| 6    | 119-4041    | 9    | Nut-HF                                | 25   | 115-5142    | 1    | Screw-HHF            |
| 7    | 116-5611    | 3    | Bolt-Carriage 1/4-20 X 1/2 Short Neck | 26   | 137-0298    | 1    | Shaft-Selector, Reel |
| 8    | 32128-10    | 3    | Nut-Lock, HHF                         | 27   | 137-0299    | 1    | Hub-Selector, Reel   |
| 9    | 138-2142    | 1    | Engine ASM ●                          | 28   | 117-1031    | 1    | Spring-Compression   |
| 10   | 3230-6      | 4    | Bolt-CARR                             | 29   | 112-6913    | 1    | Screw-HHF            |
| 11   | 3256-23     | 8    | Washer-Plain                          | 30   | 32151-47    | 1    | Ring-Retaining       |
| 13   | 131-5919    | 4    | Screw-HH, Patch                       | 33   | 323-30      | 1    | Screw-HH             |
| 18   | 139-7362    | 3    | Washer-Poly                           | 34   | 119-4609    | 1    | Spring-Extension     |
| 19   | 131-8573    | 1    | Screw-HSH                             | 35   | 139-4309    | 1    | Guide-Cable          |
| 20   | 138-1523    | 1    | Reel Lever                            | 37   | 3253-21     | 1    | Washer-Lock          |

● Obtain parts from [www.honda-engines.com](http://www.honda-engines.com)



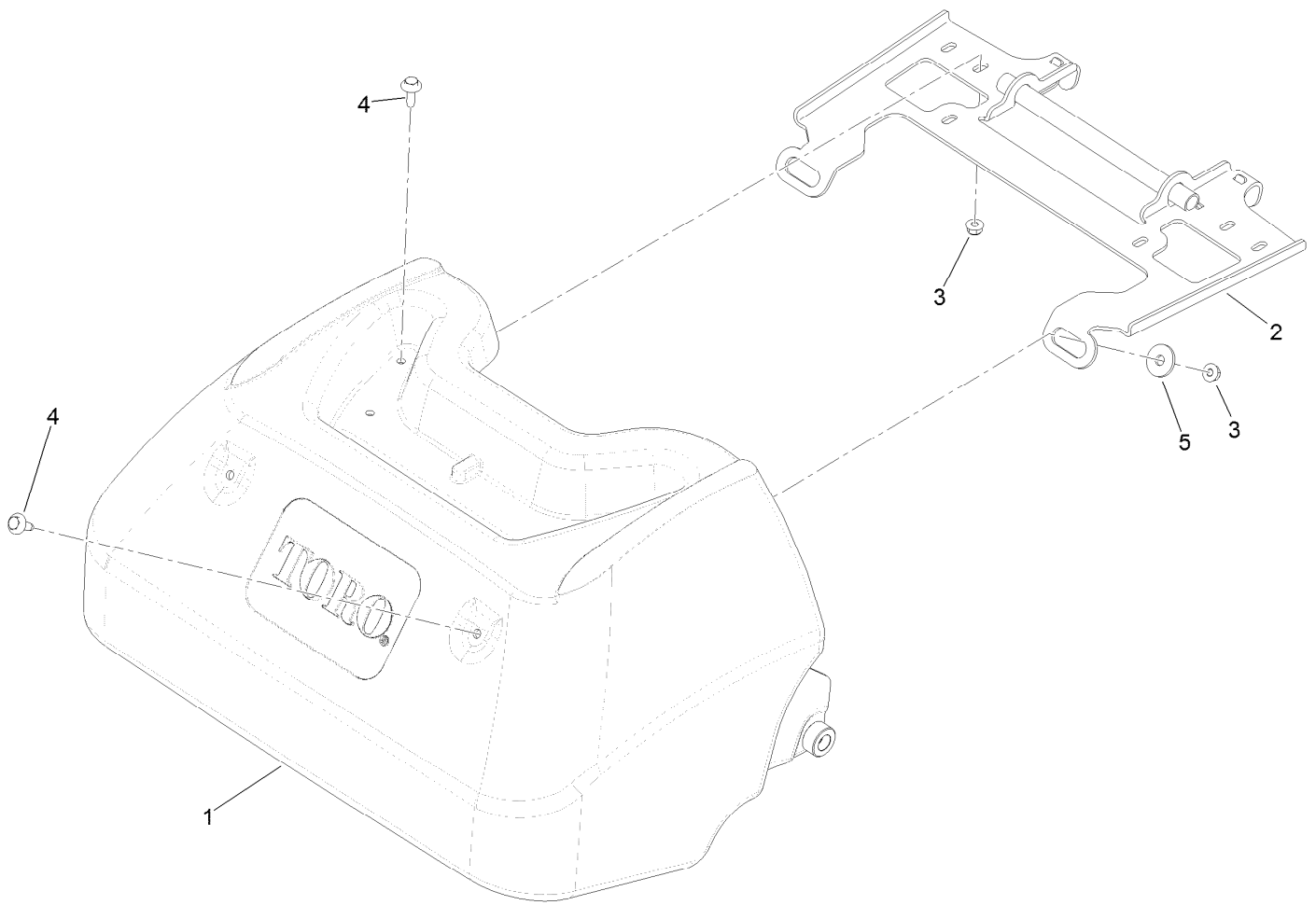
## Engine Assembly No. 138-2142

| <i>Ref.</i> | <i>Part Number</i> | <i>Qty.</i> | <i>Description</i>     |
|-------------|--------------------|-------------|------------------------|
| 3           | 138-2128-03        | 1           | Guard-Muffler          |
| 4           | 87-5150            | 2           | Screw-HH               |
| 5           | 138-2138           | 1           | Decal-Warning, Engine  |
| 6           | 133-8062           | 1           | Decal-Arrestor, Spark  |
| 7           | 130-8322           | 1           | Decal-Warning, Ethanol |



## Frame Assembly

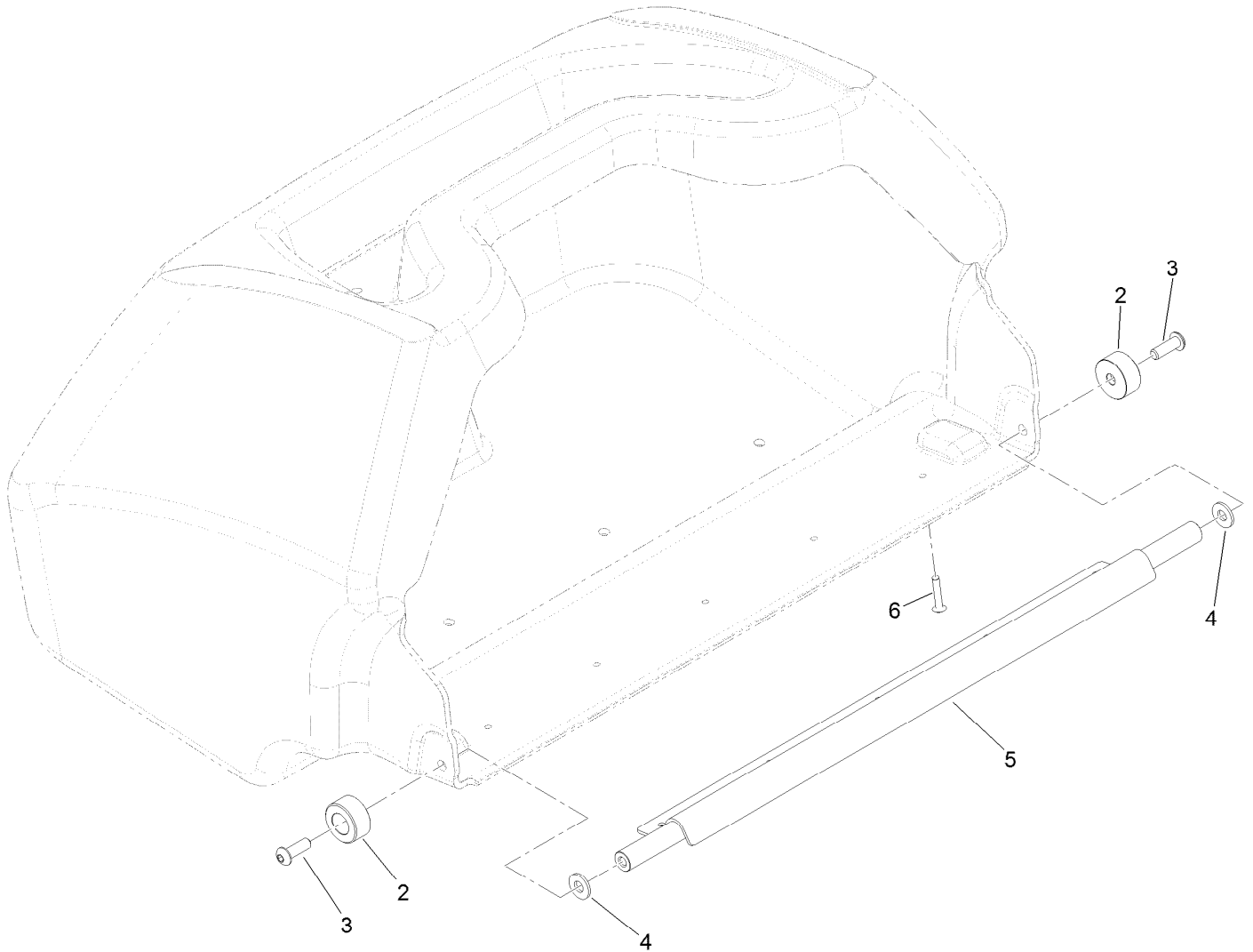
| <b>Ref.</b> | <b>Part Number</b> | <b>Qty.</b> | <b>Description</b>           | <b>Ref.</b> | <b>Part Number</b> | <b>Qty.</b> | <b>Description</b> |
|-------------|--------------------|-------------|------------------------------|-------------|--------------------|-------------|--------------------|
| 1           | 140-9253-01        | 1           | Flex Frame, Welded [red]     | 13          | 114-8049           | 2           | Pin-Pivot          |
| 2           | 139-7397-01        | 1           | Roll Frame ASM, Welded [red] | 14          | 139-7439           | 1           | Frame-Link         |
| 3           | 125-5239           | 8           | Bushing-Flange               | 15          | 99-6005            | 3           | Bolt-Carriage      |
| 4           | 139-7376           | 4           | Link-Flex                    | 16          | 104-8300           | 3           | Nut-HF, NI         |
| 5           | 104-8301           | 8           | Nut-HF, NI                   | 17          | 140-3399-01        | 1           | Weight-Tmd [red]   |
| 6           | 139-7372           | 1           | Hub-End, RH                  | 18          | 140-3356           | 3           | Isolator-Tmd       |
| 7           | 139-7374           | 1           | Hub-End, LH                  | 19          | 32128-14           | 3           | Nut-HF             |
| 8           | 3231-4             | 4           | Screw-CARR                   | 20          | 140-9321           | 1           | U-Bolt, ASM        |
| 9           | 114-8047           | 2           | Lever                        | 21          | 3296-56            | 2           | Nut-Lock, NI       |
| 10          | 139-7380           | 2           | Pin-Pivot, Latch             | 22          | 121-4710           | 1           | Grass Basket ASM   |
| 11          | 32120-18           | 2           | E-Ring                       | 23          | 131-8573           | 4           | Screw-HSH          |
| 12          | 114-8048           | 2           | Spring                       | 24          | 138-2662           | 2           | Bumper-Rubber      |
|             |                    |             |                              | 25          | 3296-56            | 2           | Nut-Lock, NI       |



## Grass Basket Assembly No. 121-4710

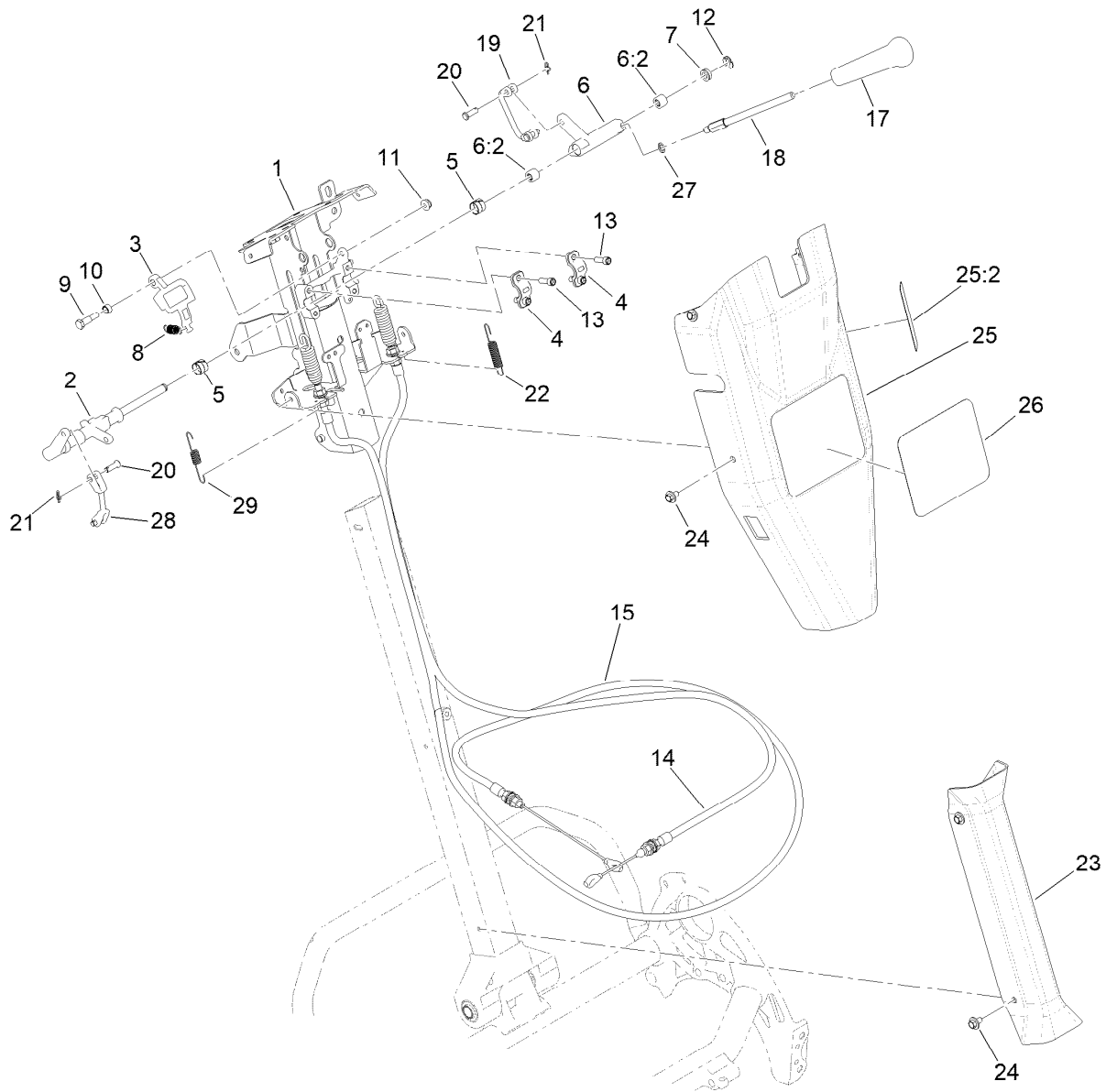
| <i>Ref.</i> | <i>Part Number</i> | <i>Qty.</i> | <i>Description</i> |
|-------------|--------------------|-------------|--------------------|
| 1           | 130-6750           | 1           | Basket ASM         |
| 2           | 133-8833-03        | 1           | Bracket-Basket     |
| 3           | 119-4040           | 6           | Nut-HF, NI         |
| 4           | 119-4012           | 6           | Screw-HWHTF        |
| 5           | 1-603716           | 2           | Washer-Friction    |





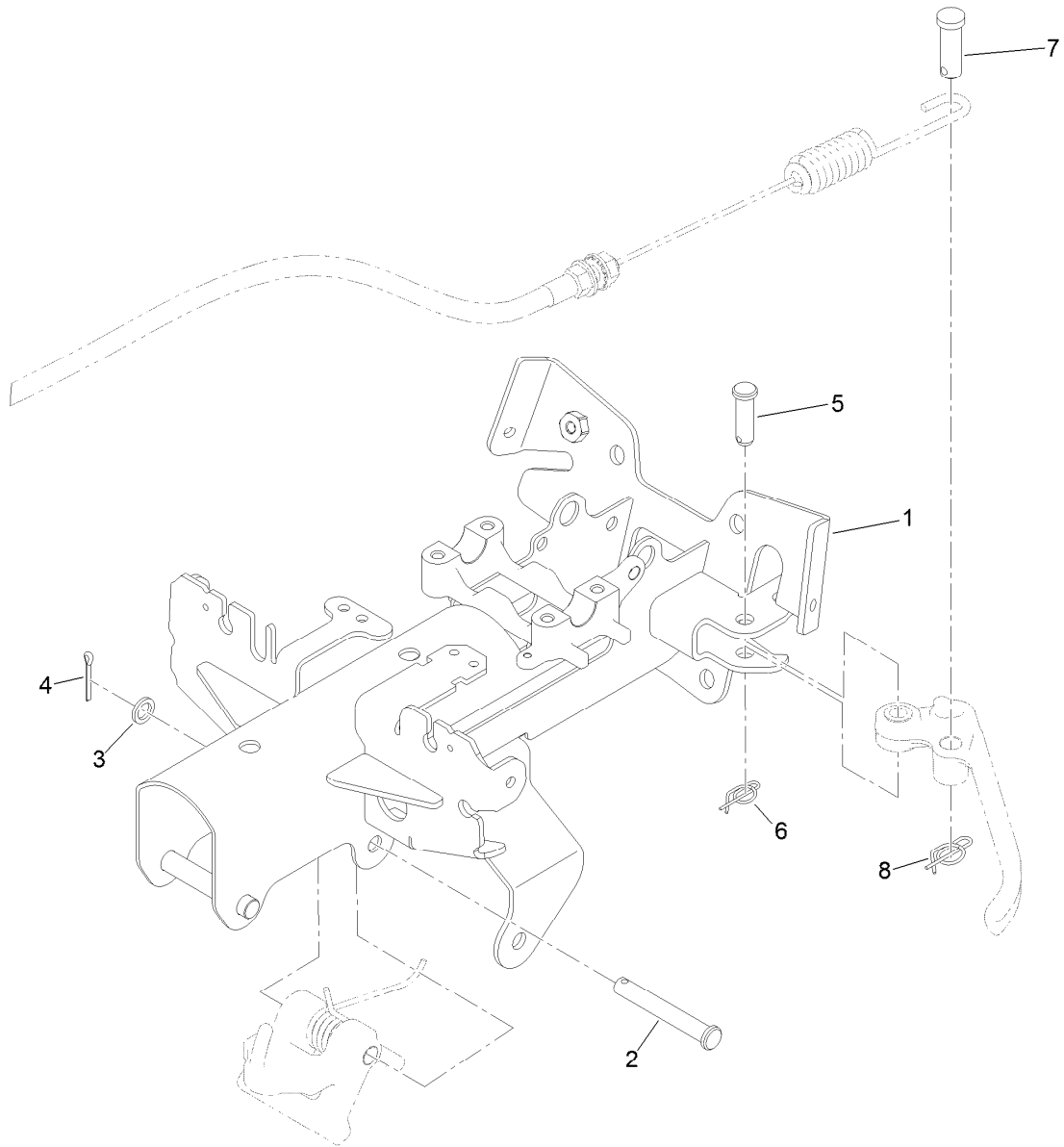
## Basket Assembly No. 130-6750

| <i>Ref.</i> | <i>Part Number</i> | <i>Qty.</i> | <i>Description</i> |
|-------------|--------------------|-------------|--------------------|
| 2           | 121-4730           | 2           | Bumper-Basket      |
| 3           | 3274-69            | 2           | Screw-HSBH         |
| 4           | 120-9679           | 2           | Washer-Flat        |
| 5           | 130-6752           | 1           | Channel            |
| 6           | 3290-382           | 5           | Rivet-Pop          |



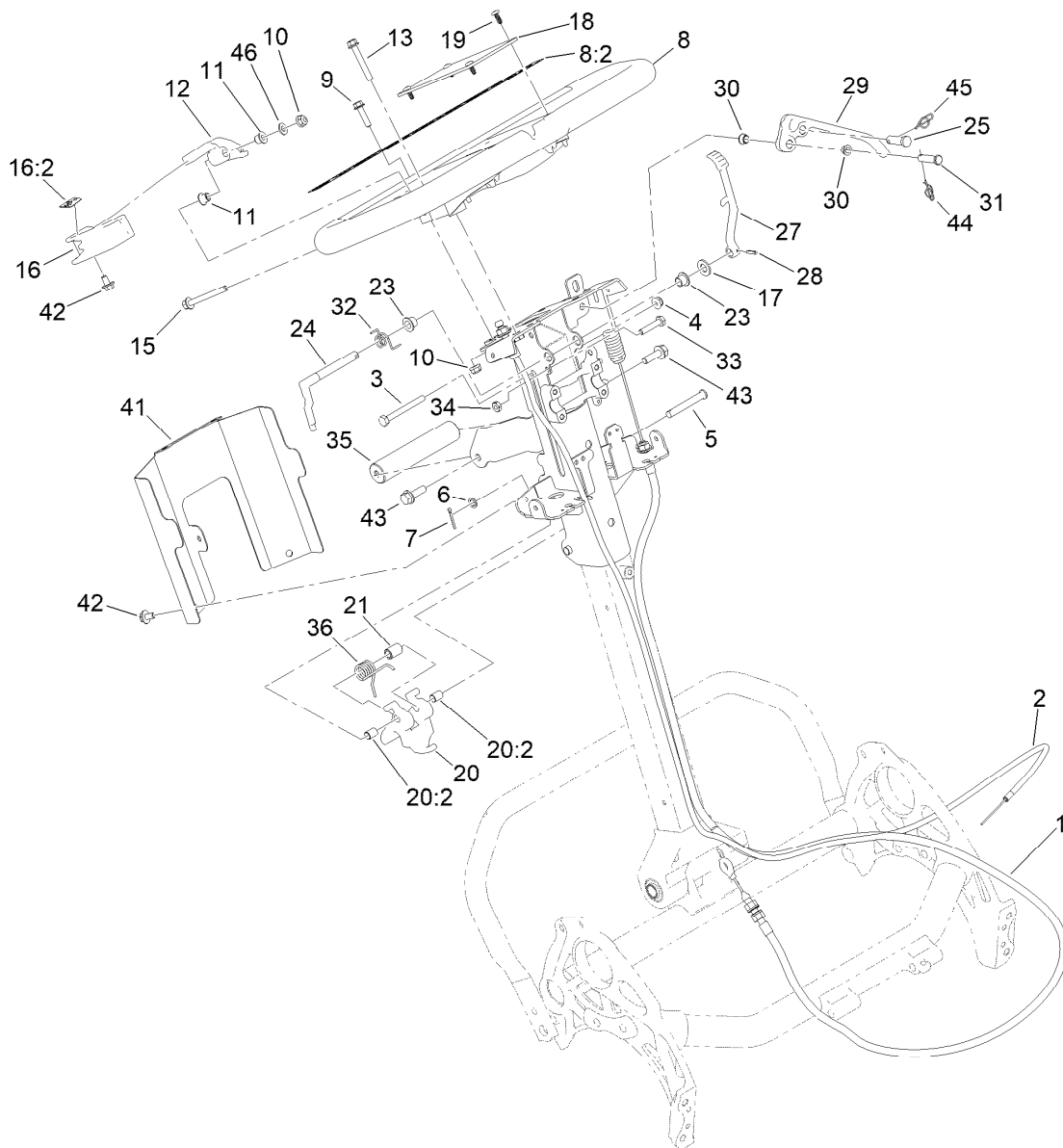
## Reel Controls and Covers Assembly

| Ref. | Part Number | Qty. | Description                     | Ref. | Part Number | Qty. | Description                  |
|------|-------------|------|---------------------------------|------|-------------|------|------------------------------|
| 1    | 140-9323    | 1    | Kit- Upper Receiver Replacement | 17   | 104-9760    | 1    | Knob-Black                   |
| 2    | 140-9305    | 1    | Shaft-Main, Controls            | 18   | 137-0190    | 1    | Rod-Handle, Reel Lever       |
| 3    | 137-0266    | 1    | Cam-Latch, Upper                | 19   | 137-0232    | 1    | Connector-Clevis             |
| 4    | 138-1513    | 2    | Clamp-Shaft, Control            | 20   | 1-808265    | 4    | Pin-Clevis                   |
| 5    | 137-0263    | 2    | Bushing-Split                   | 21   | 138-1587    | 2    | Clip-Pin, Cotter             |
| 6    | 137-0312    | 1    | Reel Lever ASM                  | 22   | 138-1536    | 1    | Spring-Extension             |
| 6:2  | 138-1637    | 2    | Bearing-Needle                  | 23   | 138-1479    | 1    | Cover-Handle, Lower          |
| 7    | 131-3187    | 1    | Seal-V-Ring                     | 24   | 46-6810     | 8    | Screw And Washer ASM         |
| 8    | 140-3410    | 1    | Spring-Extension                | 25   | 139-4304    | 1    | Control Upper Cover ASM      |
| 9    | 137-0313    | 1    | Screw-Shoulder                  | 25:2 | 138-1589    | 1    | Decal-Reel Drive Engagement  |
| 10   | 137-0346    | 1    | Spacer-Latch, Bail              | 26   | 140-3382    | 1    | Decal-Greensmaster Flex 1018 |
| 11   | 104-7201    | 1    | Nut-HF, NI                      | 27   | 75-5470     | 1    | Spacer-Bearing               |
| 12   | 32151-47    | 1    | Ring-Retaining                  | 28   | 138-1592    | 1    | Connector-Clevis             |
| 13   | 3274-8      | 4    | Screw-HSH                       | 29   | 140-3417    | 1    | Spring-Extension             |
| 14   | 137-0180    | 1    | Cable-Clutch                    |      |             |      |                              |
| 15   | 140-9330    | 1    | Cable-Reel Engagement           |      |             |      |                              |



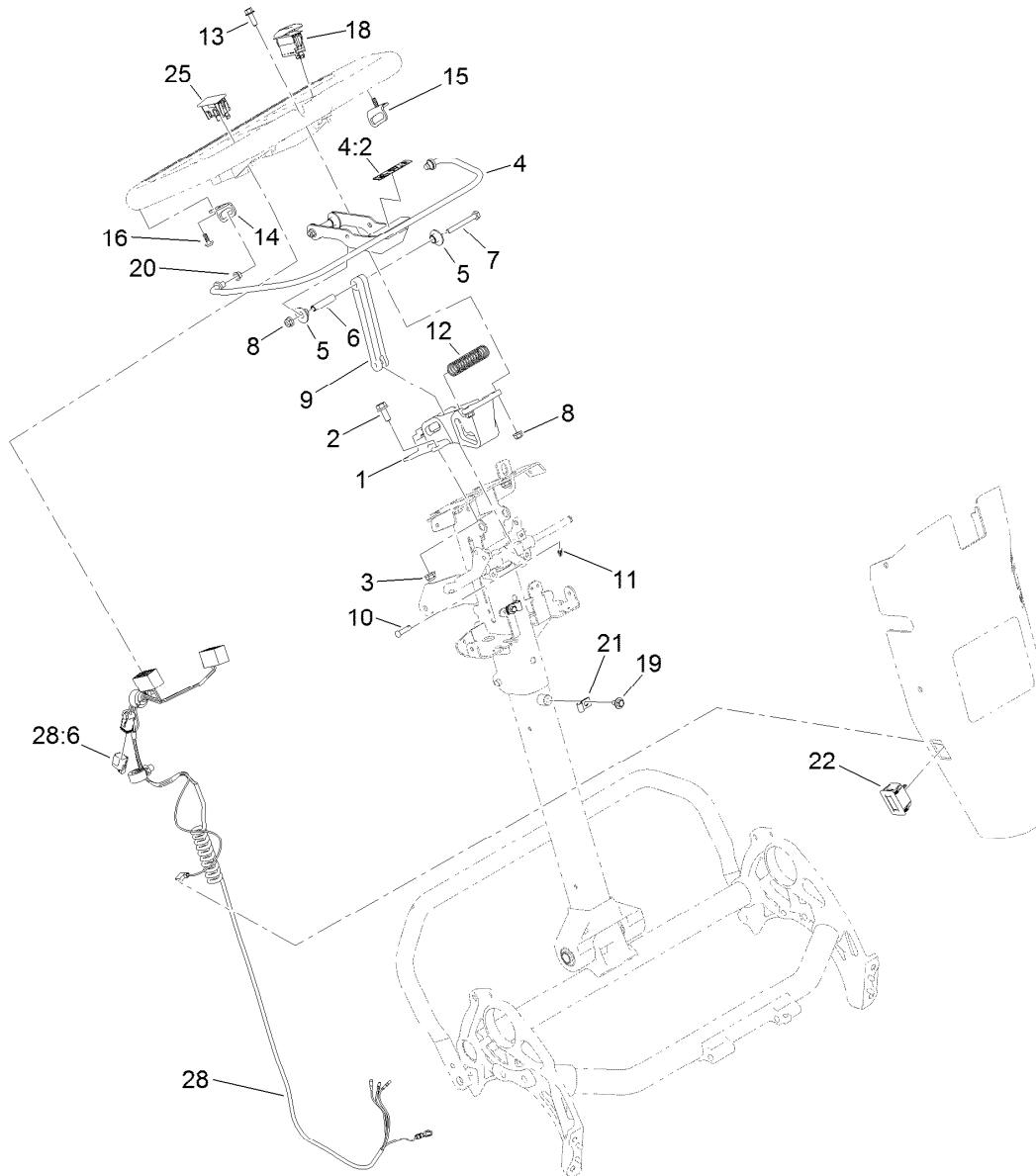
## Upper Receiver Assembly No. 140-9323

| <i>Ref.</i> | <i>Part Number</i> | <i>Qty.</i> | <i>Description</i>     |
|-------------|--------------------|-------------|------------------------|
| 1           | 140-9306-0P        | 1           | Upper Receiver, Welded |
| 2           | 110-0618           | 1           | Pin-Clevis             |
| 3           | 75-5470            | 1           | Spacer-Bearing         |
| 4           | 3272-6             | 1           | Pin-Cotter             |
| 5           | 283-61             | 1           | Pin-Yoke               |
| 6           | 116-6639           | 1           | Pin-Cotter, Locking    |
| 7           | 1-808285           | 1           | Pin-Clevis             |
| 8           | 140-9312           | 1           | Pin-Cotter, Locking    |



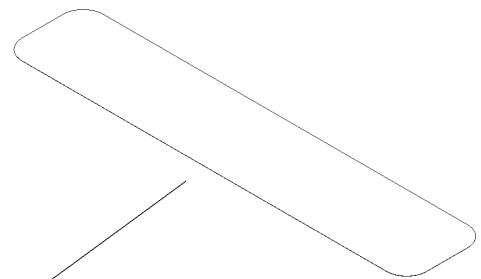
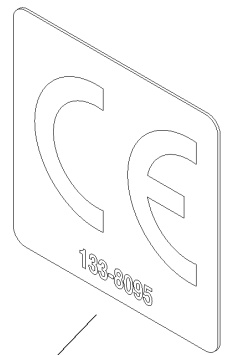
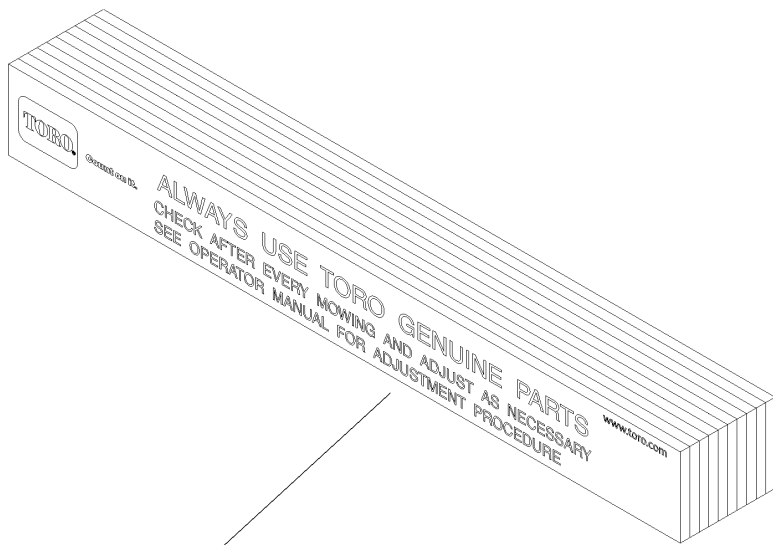
## Upper Handle Assembly

| Ref. | Part Number | Qty. | Description              | Ref. | Part Number | Qty. | Description            |
|------|-------------|------|--------------------------|------|-------------|------|------------------------|
| 1    | 140-9318    | 1    | Cable ASM, Brake         | 20:2 | 137-0308    | 2    | Bushing-Igus           |
| 2    | 137-0182    | 1    | Cable-Throttle           | 21   | 137-0318    | 1    | Spacer-Spring          |
| 3    | 321-15      | 1    | Screw-HH                 | 23   | 138-1514    | 2    | Bushing-Flange         |
| 4    | 104-7201    | 1    | Nut-HF, NI               | 24   | 138-1573    | 1    | Latch-Brake            |
| 5    | 110-0618    | 1    | Pin-Clevis               | 25   | 1-808285    | 1    | Pin-Clevis             |
| 6    | 75-5470     | 1    | Spacer-Bearing           | 27   | 140-3377    | 1    | Lever-Lock, Brake      |
| 7    | 3272-6      | 1    | Pin-Cotter               | 28   | 32121-73    | 1    | Pin-Roll               |
| 8    | 138-1645    | 1    | Handle ASM               | 29   | 140-9298    | 1    | Lever-Brake            |
| 8:2  | 138-5532    | 1    | Decal-Warning, General   | 30   | 138-5538    | 2    | Bushing-Flange         |
| 9    | 120-4654    | 2    | Screw-HHF                | 31   | 283-6       | 1    | Pin-Clevis             |
| 10   | 119-4040    | 3    | Nut-HF, NI               | 32   | 138-1518    | 1    | Spring-Brake, Torsion  |
| 11   | 138-3538    | 2    | Bushing-Flange           | 33   | 132-6777    | 1    | Screw-TTH              |
| 12   | 138-1636    | 1    | Arm-Throttle             | 34   | 120-9695    | 1    | Nut-Jam                |
| 13   | 138-5527    | 1    | Screw-HHF                | 35   | 138-1535    | 1    | Handle-Assist, Lift    |
| 15   | 140-9317    | 1    | Screw-HHF,Lock           | 36   | 138-1481    | 1    | Spring-Handle, Torsion |
| 16   | 139-4303    | 1    | Throttle Lever ASM       | 41   | 138-5530-03 | 1    | Cover-Bottom, Controls |
| 16:2 | 138-5534    | 1    | Decal-Throttle           | 42   | 46-6810     | 3    | Screw And Washer ASM   |
| 17   | 100-4852    | 1    | Washer-Hardened          | 43   | 115-5142    | 2    | Screw-HHF              |
| 18   | 138-5514    | 1    | Plate-Notepad, Handle    | 44   | 116-6639    | 1    | Pin-Cotter, Locking    |
| 19   | 127-6843    | 4    | Screw-Plastite, Torx Pan | 45   | 140-9312    | 1    | Pin-Cotter, Locking    |
| 20   | 137-0317    | 1    | Handle Adjuster ASM      | 46   | 139-1323    | 1    | Washer-Spcl            |



## Traction Bail Assembly

| <i>Ref.</i> | <i>Part Number</i> | <i>Qty.</i> | <i>Description</i>   | <i>Ref.</i> | <i>Part Number</i> | <i>Qty.</i> | <i>Description</i>            |
|-------------|--------------------|-------------|----------------------|-------------|--------------------|-------------|-------------------------------|
| 1           | 138-5524           | 1           | Mount-Handle         | 13          | 120-9678           | 2           | Screw-HHF                     |
| 2           | 3234-47            | 2           | Screw-HHF            | 14          | 138-3539           | 1           | Bracket-Bail, RH              |
| 3           | 119-4041           | 2           | Nut-HF               | 15          | 138-3540           | 1           | Bracket-Bail, LH              |
| 4           | 139-4302           | 1           | Clutch Bail ASM      | 16          | 138-5775           | 2           | Screw-Delta Point             |
| 4:2         | 138-5533           | 1           | Decal-Bail, Traction | 18          | 122-1497           | 1           | Switch-Rocker,<br>On-None-Off |
| 5           | 138-3466           | 4           | Bushing-Flange       | 19          | 46-6810            | 2           | Screw And Washer ASM          |
| 6           | 138-3465           | 2           | Spacer-Tube          | 20          | 138-5538           | 2           | Bushing-Flange                |
| 7           | 321-18             | 2           | Screw-HH             | 21          | 2412-91            | 2           | Clamp                         |
| 8           | 119-4040           | 4           | Nut-HF, NI           | 22          | 119-1347           | 1           | Meter-Hour                    |
| 9           | 138-5515           | 1           | Link-Bail, Clutch    | 25          | 119-7791           | 1           | Plug-Hole, Carling            |
| 10          | 353-322            | 1           | Pin-Clevis           | 28          | 122-1416           | 1           | Harness-Wire                  |
| 11          | 138-1587           | 1           | Clip-Pin, Cotter     | 28:6        | 32180-091          | 1           | Cap-Dust, 2 Way               |
| 12          | 138-3468           | 1           | Spring-Compression   |             |                    |             |                               |



## Miscellaneous Parts Assembly

| <i>Ref.</i> | <i>Part Number</i> | <i>Qty.</i> | <i>Description</i>         |
|-------------|--------------------|-------------|----------------------------|
| 1           | 125-5610           | 1           | Paper-Reel, Toro (10 Pack) |
| 2           | 140-5531           | 1           | Shim-Toro Reel (.002In)    |
| 8           | 133-8095           | 1           | Decal-CE                   |

# Attachments and Accessories

## For 04850 Greensmaster Flex 1018 Traction Unit

| Product Name   | Model/Part  |
|--|-------------|
| Premium Engine Oil 10w30 (55 Gallon Drum) .....                      | 121-6392    |
| Premium Engine Oil 10w30 (5 Gallon Pail) .....                       | 121-6393    |
| 11-Blade 18in Flex ES CU .....                                       | 04853       |
| 14-Blade 18in Flex ES CU .....                                       | 04854       |
| Narrow Wiehle Roller Kit, Greensmaster Flex 1018 Traction Unit ..... | 04026       |
| Full Front Roller Asm (18 Inch) .....                                | 04814       |
| Roller ASM, Wide Wiehle.....   | 140-3441    |
| Roller ASM, Extended Wiehle.....                                     | 140-9214    |
| Front Scraper Kit for Narrow Wiehle Roller .....                     | 120-9615    |
| Front Scraper Kit for Wide Wiehle Roller.....                        | 120-9616    |
| Front Scraper Kit for Full Roller.....                               | 120-9617    |
| Front Brush Kit for Narrow Wiehle Roller .....                       | 120-9621    |
| Front Brush Kit for Wide Wiehle Roller.....                          | 120-9622    |
| Front Brush Kit for Full Roller .....                                | 120-9623    |
| Steel Rear Roller ASM.....   | 121-4682    |
| Rear Roller ASM, 18 Inch .....                                       | 140-9258    |
| Rear Roller Scraper Kit with Roller.....                             | 120-9627    |
| Universal Groomer Drive Kit .....                                    | 04648       |
| 18in Soft Grooming Brush.....  | 04268       |
| 18in Stiff Grooming Brush.....                                       | 04269       |
| 18in Twin Tip Groomer Reel .....                                     | 04801       |
| 18in Soft Grooming Brush Kit.....                                    | 127-1545    |
| 18in Stiff Grooming Brush Kit.....                                   | 127-1546    |
| Roller Extension Kit .....   | 115-7361    |
| High Height-of-Cut Arms (Qty 1).....                                 | 120-9600    |
| Rear Roller Adjustment (Qty 1).....                                  | 120-9602    |
| Access Backlap Kit .....   | 139-4342    |
| Bedbar .....   | 110-2281-01 |
| Bedbar-Aggressive .....  | 110-2281-0P |
| Bedknife-Microcut, Extended.....                                     | 110-2300    |
| Bedknife-Low Cut .....   | 110-2301    |
| Bedknife-Edgemax, Microcut.....                                      | 117-1530    |
| Bedknife-EdgeMax, Tournament .....                                   | 117-1532    |
| Bedknife-EdgeMax, Microcut Short .....                               | 139-4318    |
| Bedknife-EdgeMax, Tournament Short.....                              | 139-4319    |
| Bedknife-Tournament .....  | 98-7260     |
| Bedknife-Microcut.....   | 98-7261     |
| Blade-GR Groomer, Twin Tip (0.032in).....                            | 140-5580    |
| Blade-GR Groomer, Helix (0.028in).....                               | 140-5581    |
| Blade-GR Groomer, Helix (0.015" in).....                             | 140-5582    |
| Wheel Kit .....  | 04123       |
| Light Kit (2019+) .....  | 04135       |
| Push Broom Kit, Walk Greensmower (2019+) .....                       | 04136       |
| Wireless Hour Meter Kit .....  | 139-4369    |
| Height-of-Cut Bar.....   | 94-9010     |
| MVP Kit-Cutting Unit Re-Build .....                                  | 121-2637    |

## Attachments and Accessories (continued)

|   |          |
|---|----------|
| Grease-Synthetic.....   | 136-8595 |
| Turf Evaluator .....  | 04399    |
| Toro Reel Paper (10 Pack).....  | 125-5610 |
| Angle Indicator.....  | 131-6828 |
| Angle Indicator Mount.....  | 131-6829 |
| Shim-TORO Reel (.002in) .....   | 140-5531 |
| Trans Pro 80 Tow-Behind Trailer.....  | 04238    |
| Flat Ramp .....   | 04245    |
| Rail Ramp Kit (Update).....   | 04247    |
| 18in Rail Conversion Kit.....   | 110-7345 |
| Rail Ramp Kit TP100 .....   | 138-5011 |
| Rod Replacement Kit, Greensmaster 1018 Series Traction Unit with Trans Pro 100 Tow-Behind Trailer ..... | 139-6470 |
| Retention Straps Kit.....   | 139-6477 |



**Notes:**

**Notes:**

**Notes:**



**Count on it.**