



Count on it.

Parts Catalog

TimeMaster 30in

Lawn Mower

Model No. 21200—Serial No. 410174255 and Up



Ordering Replacement Parts

To order replacement parts, please supply the part number, the quantity, and the description of each part desired.

Understanding Reference Numbers

Each identified part in an illustration has a reference number. The reference number for a part also appears in the parts list, along with other information about the part.

This catalog uses two special reference number formats, one to indicate parts in a service assembly and another to indicate the quantity of a given part in an illustration.

Service Assembly Reference Numbers

Parts in service assemblies have reference numbers in the form a:b. The a represents the reference number of the entire service assembly and the b represents a sequential number unique to each part within the service assembly.

For example, a wheel assembly might be identified by reference number 6, the tire by 6:1, the valve by 6:2, and the wheel by 6:3. When you order the assembly identified by reference number 6, you receive all parts identified by reference numbers 6:1, 6:2, and 6:3. However, you may also order any part individually. Reference numbers of this type appear in illustration and in parts lists.

Reference Numbers Indicating Quantity

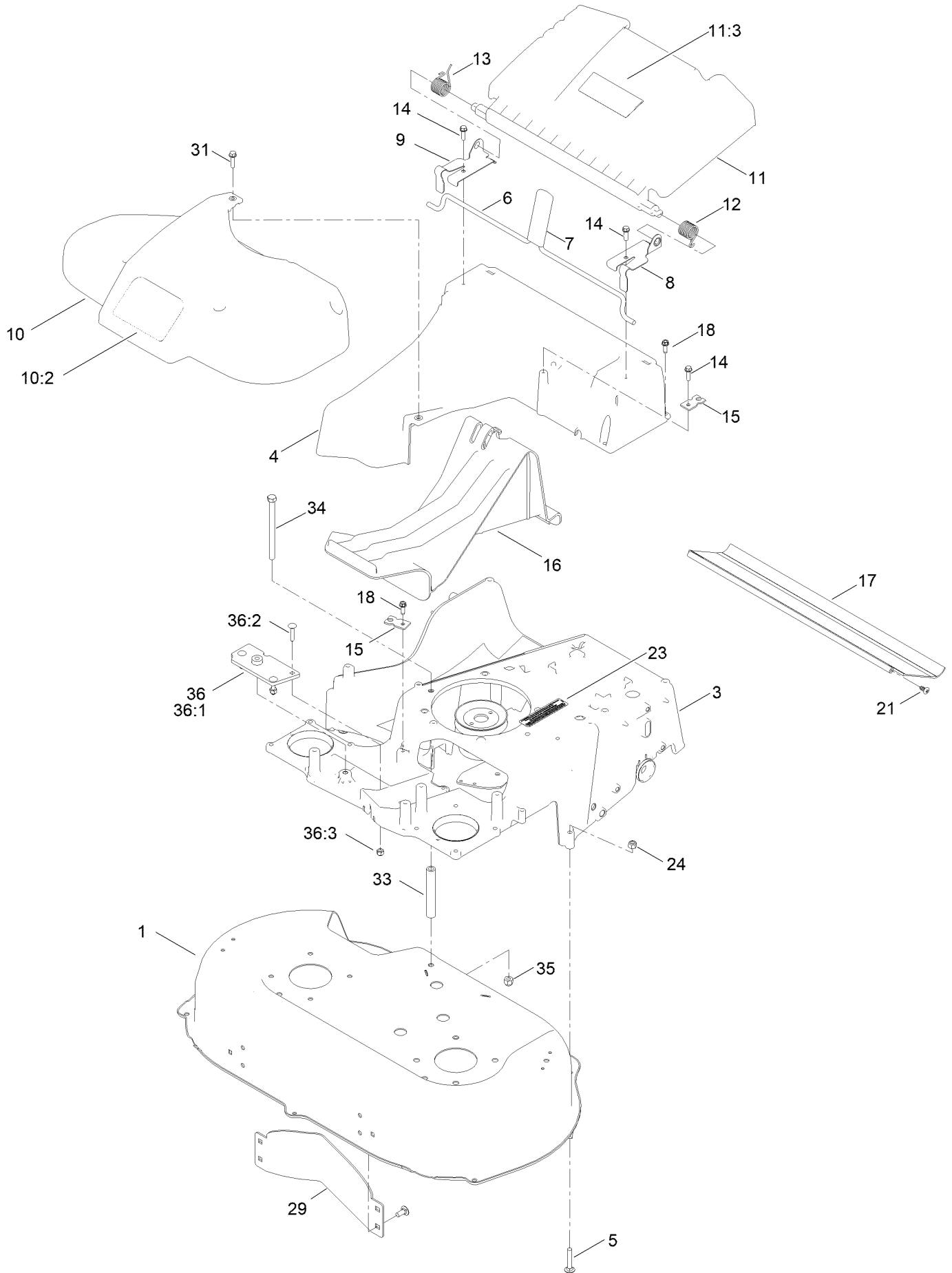
In an illustration, if a reference number indicates more than one part, the reference number has the form nX y. The n represents the quantity of the part, the X is the multiplication symbol, and the y represents the reference number.

For example, in an illustration, the reference number 2X 37 means that two of the parts identified by reference number 37 are indicated.

Contents

Housing Assembly	4
Spindle and Belt Assembly	6
Side Discharge Chute Assembly	8
Bag Assembly	10
Engine and Belt Assembly	12
Front Wheel and Height-of-Cut Assembly	14
Rear Wheel and Height-of-Cut Assembly	16
Handle and Electrical Assembly	18
Attachments and Accessories	20

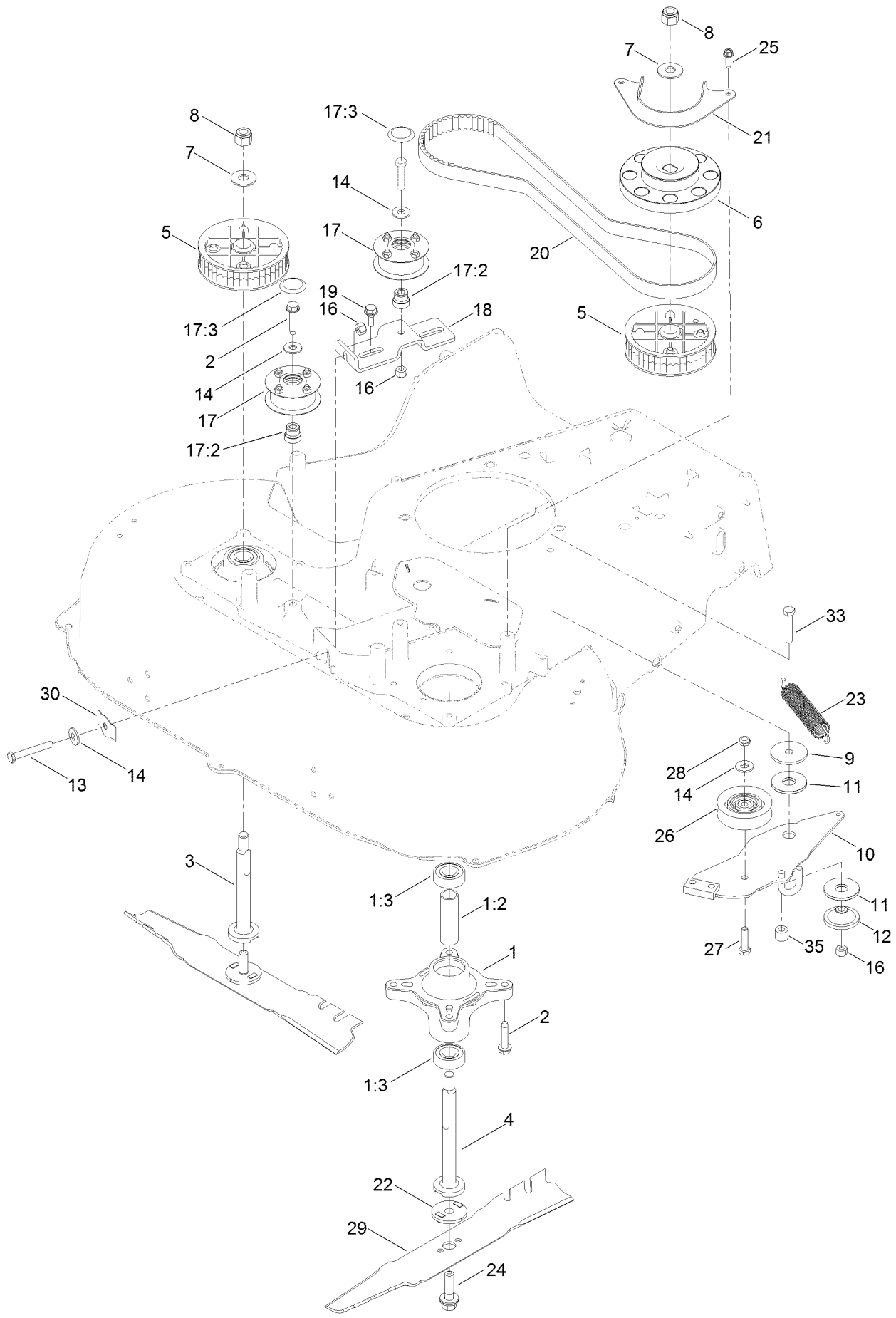
Housing Assembly



Housing Assembly (continued)

<i>Ref.</i>	<i>Part Number</i>	<i>Qty.</i>	<i>Description</i>	<i>Ref.</i>	<i>Part Number</i>	<i>Qty.</i>	<i>Description</i>
1	136-5873	1	Housing ASM	16	120-5225	1	Plug-Mulch
3	138-5390-01	1	Frame-30"	17	120-6241	1	Shield-Trailing
4	133-8177	1	Chute	18	49-2040	8	Screw-HWHTF
5	3230-5	2	Bolt-CARR	21	117-1092	2	Screw-PTH
6	139-5415	1	Rod-Release, Handle	23	133-8062	1	Decal-Arrestor, Spark
7	120-7018	1	Grip-Lever	24	3296-29	2	Nut-Lock, NI
8	121-9114	1	Bracket-Door, LH	29	130-2352-01	1	Baffle-Control
9	121-9115	1	Bracket-Door, RH	31	32144-86	1	Screw-HWHTF
10	139-5408	1	Belt Cover ASM	33	1-323283	1	Spacer-Shield
10:2	121-2391	1	Decal-Cover, Belt	34	139-5409	1	Screw-HH
11	120-7048	1	Rear Deflector ASM	35	137-3087	1	Nut-Hex
11:3	131-4514	1	Decal-Warning	36	125-5072	1	Frame Plate Kit
12	115-2859	1	Spring-Torsion	36:1	125-2542	1	Plate-Frame
13	114-7924	1	Spring-Torsion	36:2	3229-3	3	Screw-CARR
14	46-8091	3	Screw-HWH	36:3	3296-42	3	Nut-Lock, NI
15	138-3224	2	Bracket-Cable, Traction				

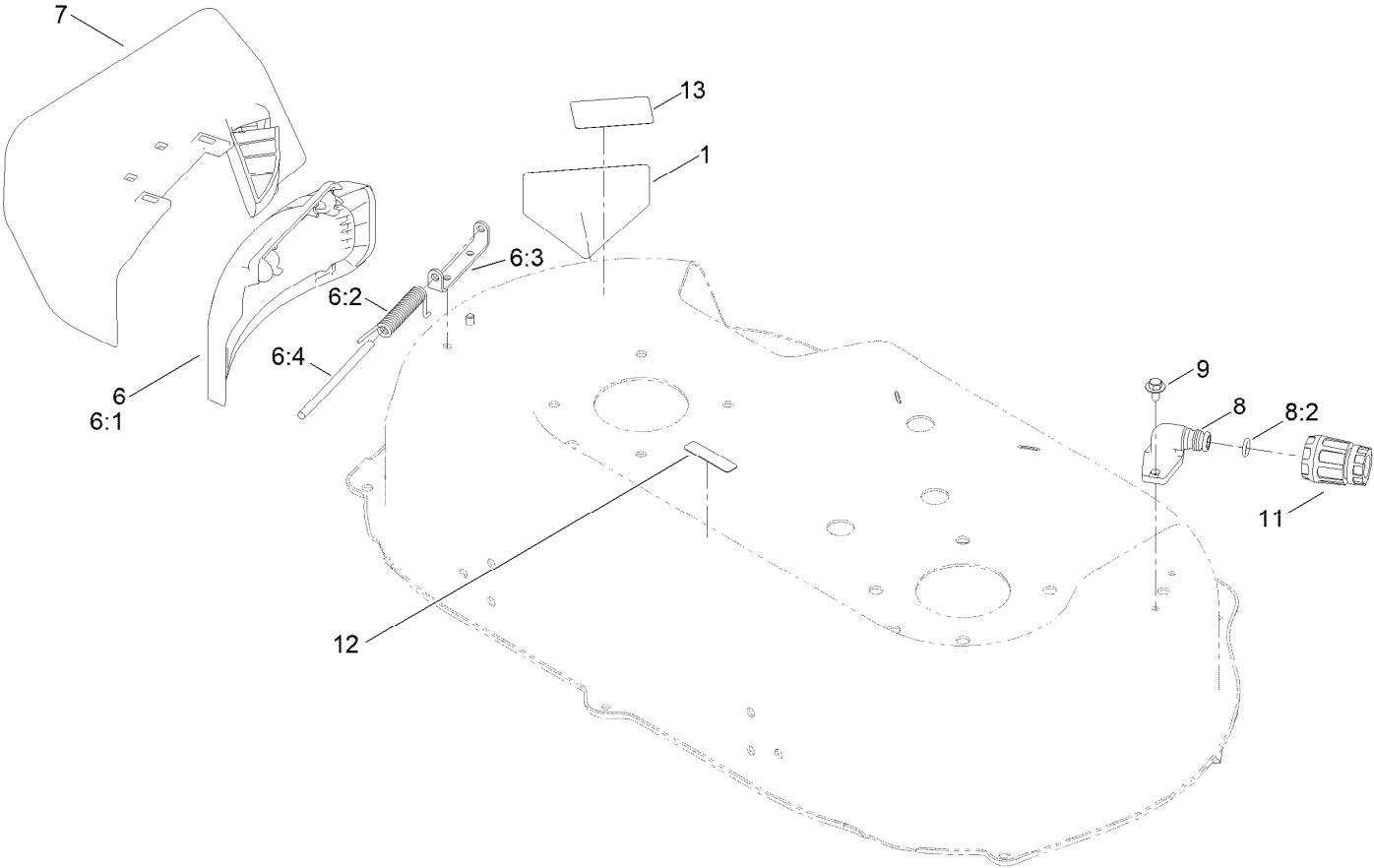
Spindle and Belt Assembly



Spindle and Belt Assembly (continued)

<i>Ref.</i>	<i>Part Number</i>	<i>Qty.</i>	<i>Description</i>	<i>Ref.</i>	<i>Part Number</i>	<i>Qty.</i>	<i>Description</i>
1	121-9107	2	Spindle ASM	17:2	131-4504	1	Adapter-Bore
1:2	120-7935	2	Spacer	17:3	125-2533	1	Plug-Cap
1:3	136-5441	2	Bearing-Ball	18	138-3232	1	Bracket-Idler
2	139-1731	9	Screw-Thd Roll, HWH	19	120-7024	2	Screw-Shoulder, HWH
3	139-6612	1	Shaft-Spindle	20	120-3335	1	Belt-Synchronous
4	139-6613	1	Shaft-Spindle	21	120-5245-03	1	Guide-Belt, Spindle
5	121-9100	2	Sprocket	22	120-5236	2	Adapter-Blade
6	130-6664	1	Pulley-Brake, Spindle	23	121-5808	1	Spring-Extension, Brake
7	109-9505	2	Washer-Spring	24	125-2466	2	Bolt-Blade
8	3296-19	2	Nut-Hex	25	49-2040	2	Screw-HWHTF
9	63-7400	1	Washer-Rebound	26	120-7082	1	Pulley-Idler
10	133-8102	1	Brake Arm ASM	27	322-6	1	Screw-HH
11	121-2305	2	Washer-Friction, Composite	28	3296-47	1	Nut-Lock,NI
12	138-3244	1	Spacer	29	116-6358-03	2	Blade-Rotary
13	9114524	1	Bolt-TAP, HH	30	121-2336	1	Spring-Flat
14	139-1723	4	Washer-Flat	33	322-9	1	Screw-HH
16	3296-29	3	Nut-Lock, NI	35	133-1964	1	Spacer
17	131-4529	2	Pulley Kit				

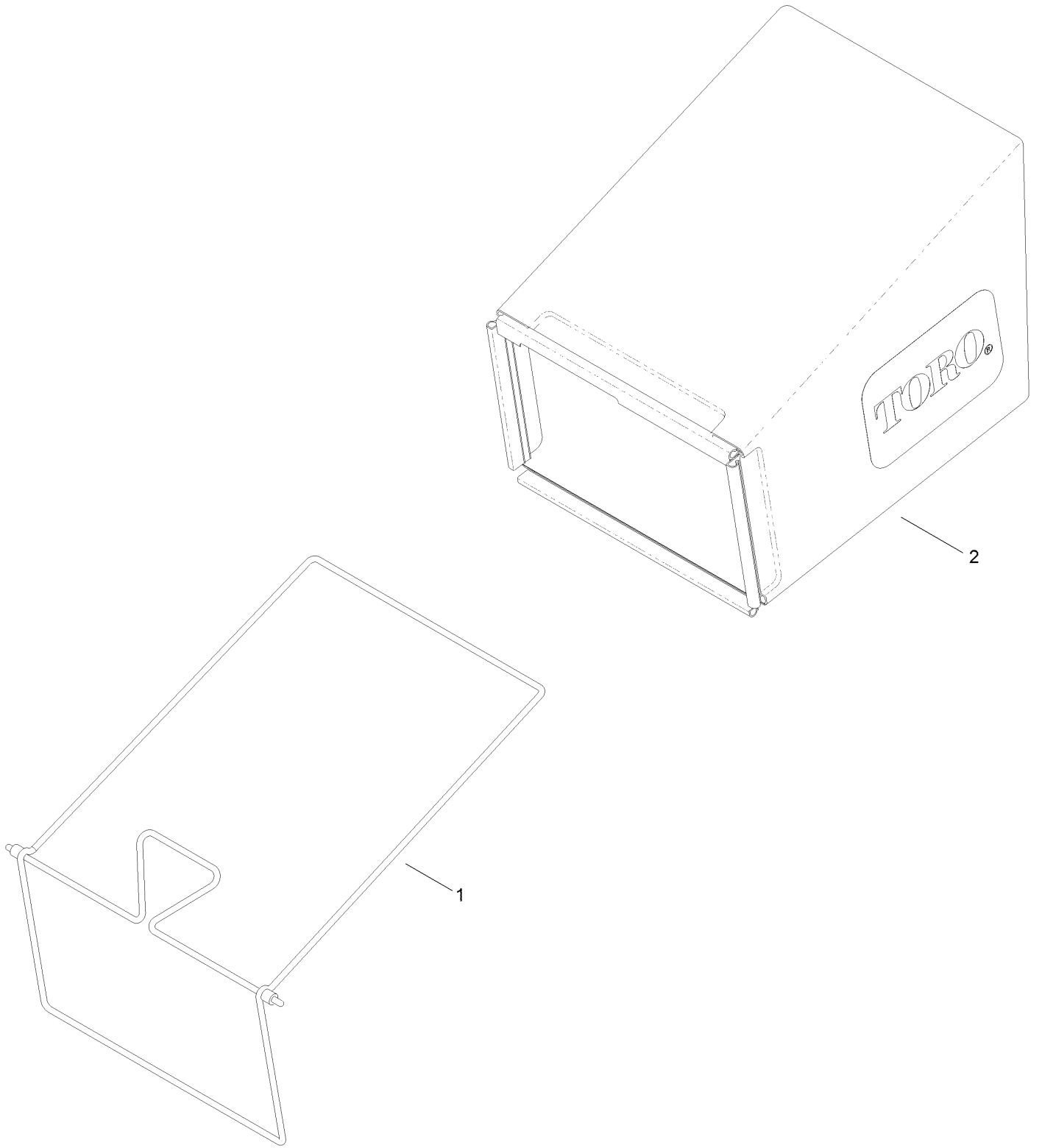
Side Discharge Chute Assembly



Side Discharge Chute Assembly (continued)

<i>Ref.</i>	<i>Part Number</i>	<i>Qty.</i>	<i>Description</i>	<i>Ref.</i>	<i>Part Number</i>	<i>Qty.</i>	<i>Description</i>
1	94-8072	1	Decal-Danger	8	133-9289	1	Fitting-Washout
6	133-2630	1	Side Deflector Service ASM	8:2	133-9290	1	O-Ring
6:1	125-5091	1	Deflector-Side	9	139-1700	2	Screw-HWH, Thd Roll
6:2	127-0721	1	Spring-Torsion, Cover	11	95-3270	1	Connector-Hose
6:3	112-6416	1	Bracket-Cover	12	120-9570	1	Decal-Warning
6:4	99-5291	1	Rod-Cover	13	125-5092	1	Decal-Placement, Foot
7	121-2319	1	Chute-Discharge, Side				

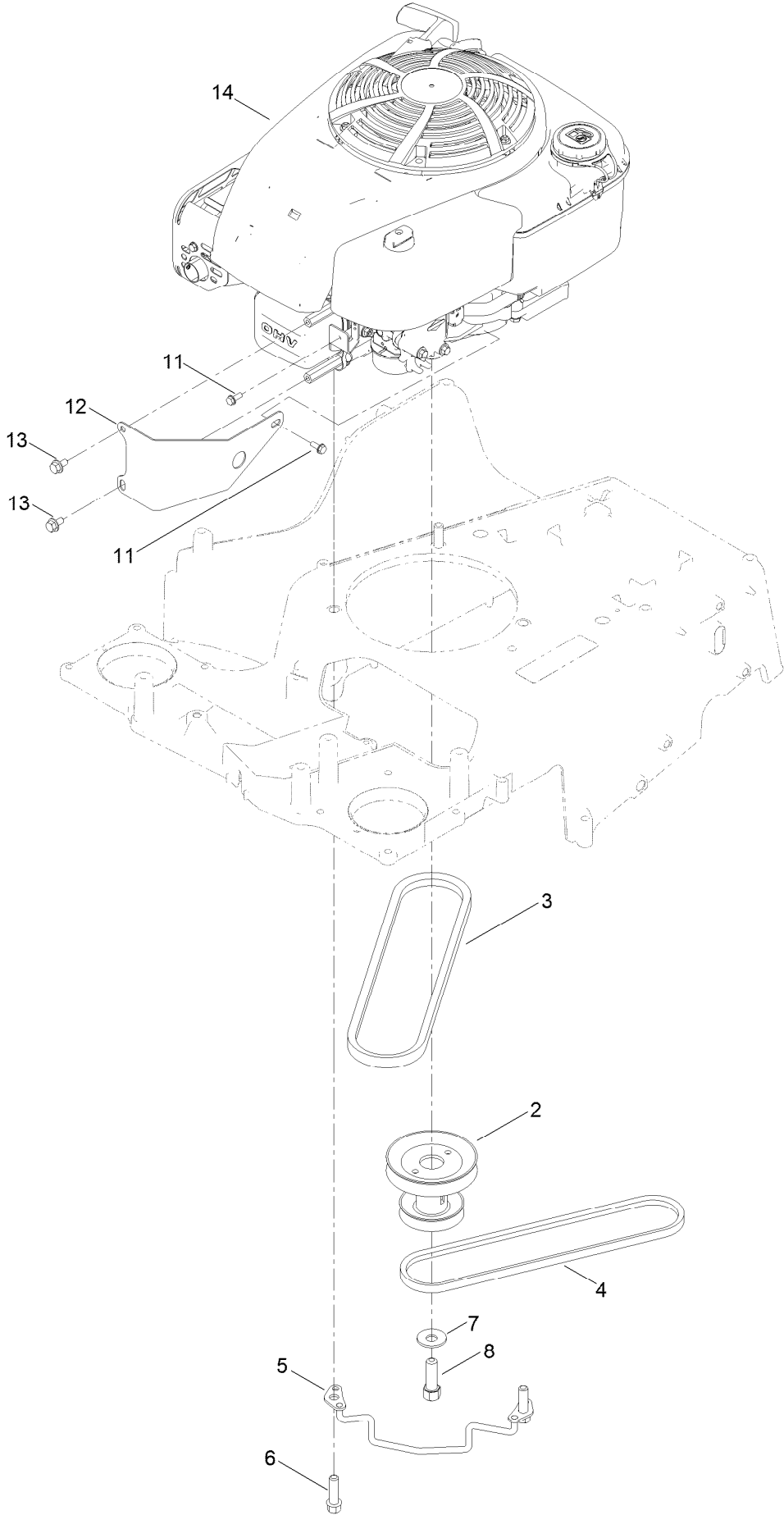
Bag Assembly



Bag Assembly (continued)

<i>Ref.</i>	<i>Part Number</i>	<i>Qty.</i>	<i>Description</i>
1	121-5766-03	1	Frame-Bag
2	121-5770	1	Bag-Grass

Engine and Belt Assembly



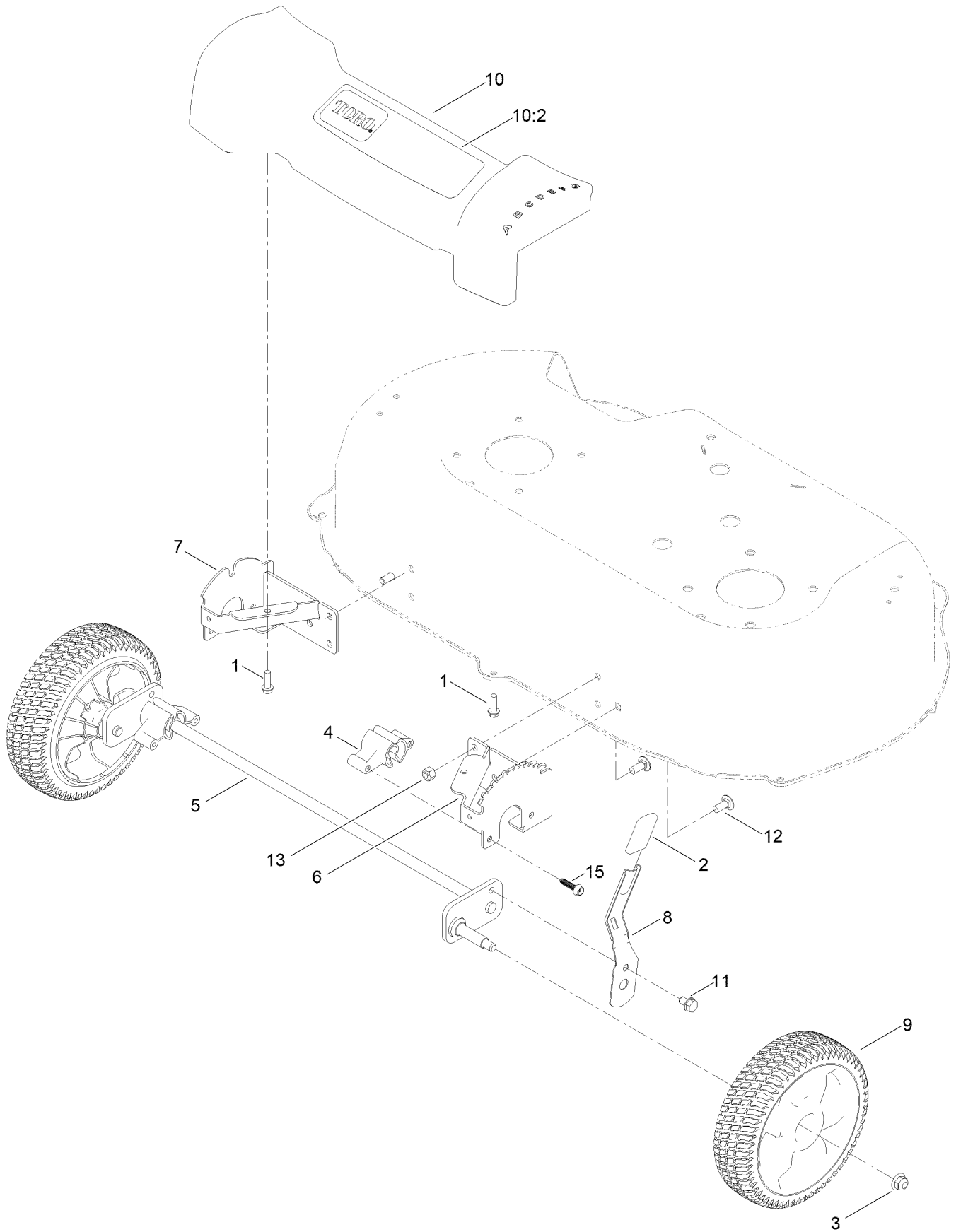
Engine and Belt Assembly (continued)

<i>Ref.</i>	<i>Part Number</i>	<i>Qty.</i>	<i>Description</i>	<i>Ref.</i>	<i>Part Number</i>	<i>Qty.</i>	<i>Description</i>
2	137-9176	1	Pulley-Engine	8	26-0671	1	Screw-HH
3	121-5765	1	V-Belt	11	32144-1	1	Screw-Taptite
4	120-9470	1	V-Belt, Traction	12	131-0889-03	1	Guard-Engine
5	139-1734	1	Guide-Belt, Wa	13	126-2713	2	Screw-HHF
6	95-1727	3	Screw-Taptite	14		1	Engine-Briggs,14D9350111F1
7	3290-465	1	Washer-Belleville				● ■

● Not serviced separately

■ Obtain parts from www.briggsandstratton.com

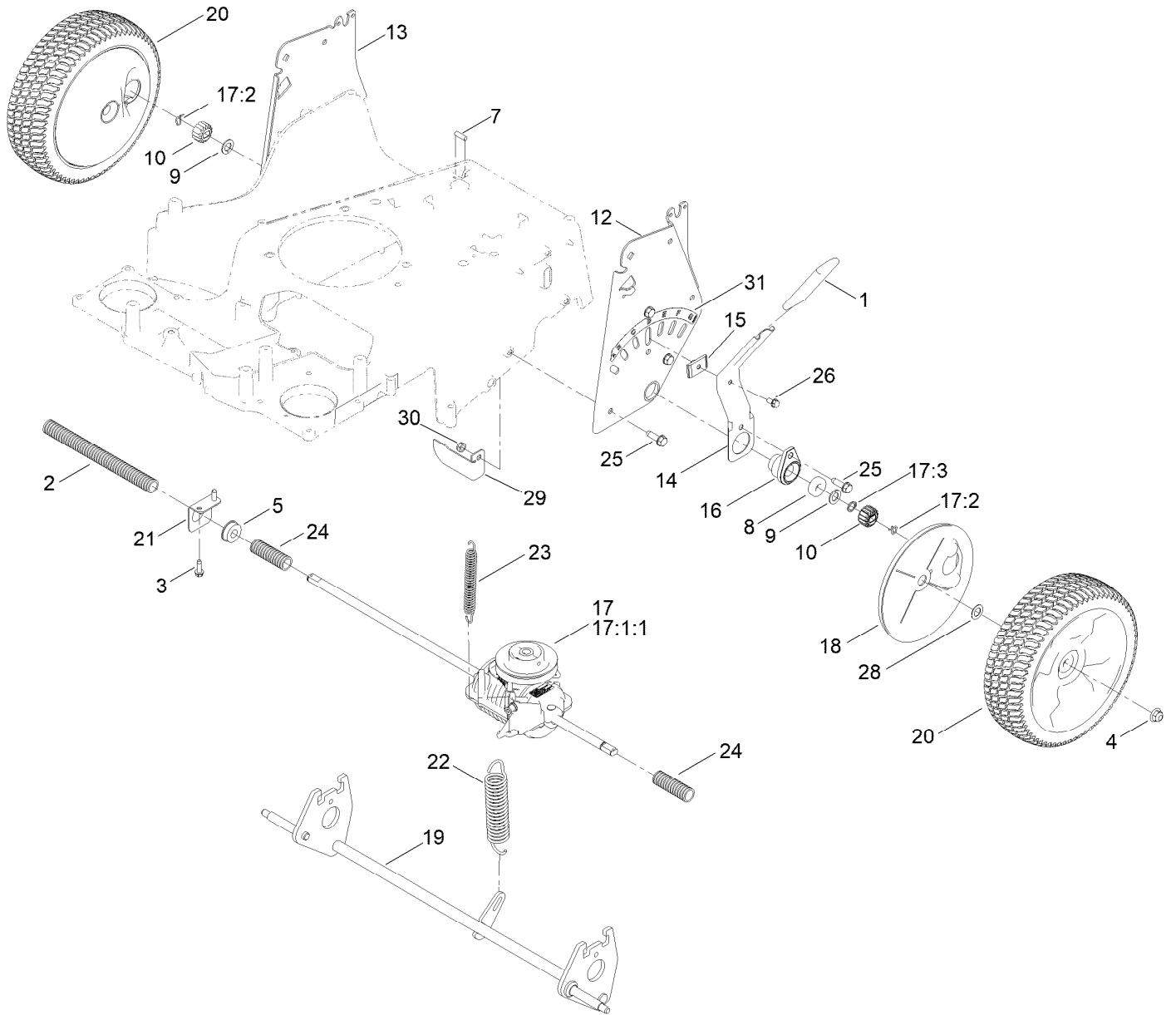
Front Wheel and Height-of-Cut Assembly



Front Wheel and Height-of-Cut Assembly (continued)

<i>Ref.</i>	<i>Part Number</i>	<i>Qty.</i>	<i>Description</i>	<i>Ref.</i>	<i>Part Number</i>	<i>Qty.</i>	<i>Description</i>
1	46-8091	3	Screw-HWH	9	125-2510	2	8 Inch Wheel ASM
2	120-9535	1	Grip-Lever	10	125-5027	1	Front Cover ASM
3	119-4042	2	Nut-HF, NI	10:2	120-7047	1	Artwork-Toro Timemaster
4	136-5875	2	Bushing-Pivot, Front	11	700057	1	Screw-HWH
5	139-1753	1	Front Axle ASM	12	3230-23	6	Bolt-CARR
6	120-7037-03	1	Plate-HOC, LH	13	3296-29	6	Nut-Lock, NI
7	120-7038-03	1	Plate-HOC, RH	15	130-6658	4	Screw-Flange, Plastic
8	120-7043	1	Arm-Spring				

Rear Wheel and Height-of-Cut Assembly

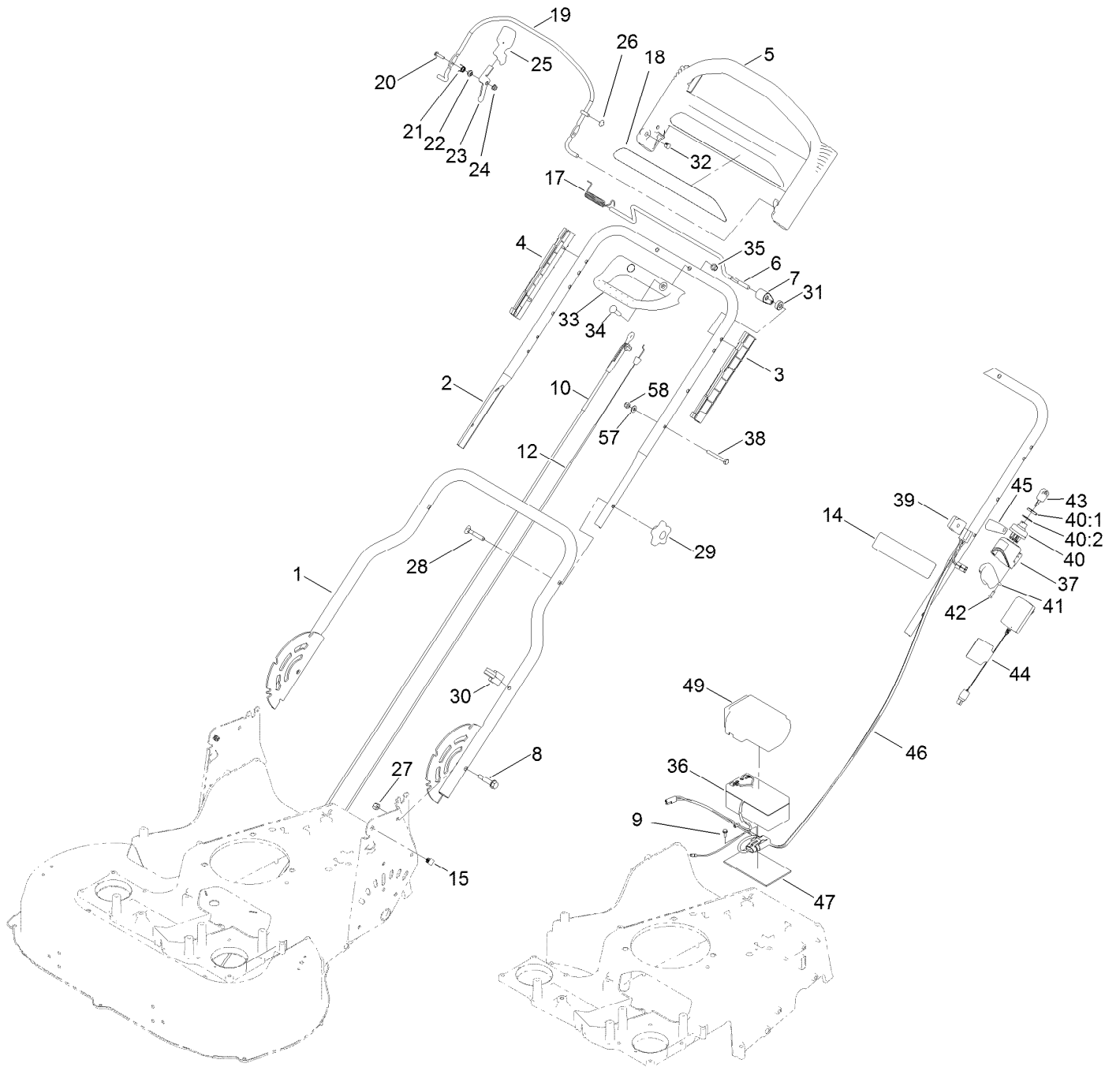


Rear Wheel and Height-of-Cut Assembly (continued)

<i>Ref.</i>	<i>Part Number</i>	<i>Qty.</i>	<i>Description</i>	<i>Ref.</i>	<i>Part Number</i>	<i>Qty.</i>	<i>Description</i>
1	137-4796	1	Grip-Lever, Lift	17:2	130-2369	2	Pin-Snap
2	121-5799	1	Conduit-Convolute	17:3	32151-61	1	Ring-Retaining
3	49-2040	2	Screw-HWHTF	18	120-6233	2	Cover-Gear
4	119-4042	2	Nut-HF, NI	19	140-4048	1	Rear Axle ASM
5	104-8699	1	Bearing-Ball	20	125-2509	2	10 Inch Wheel Gear ASM
7	106-5681	1	Pin-Stop	21	138-3233	1	Mount-Bearing
8	133-2603	2	Bearing-Ball	22	120-7026	1	Spring-Extension
9	110-7191	2	Washer-Thrust	23	120-7027	1	Spring-Extension
10	131-5399	2	Gear-Pinion, 15T	24	121-5800	2	Conduit-Convolute
12	120-3342-03	1	Plate-HOC, LH	25	701243	8	Screw-Thd Roll, HWH
13	120-3343-03	1	Plate-HOC, RH	26	32144-4	1	Screw-HWH
14	120-5208	1	Arm-Spring, Rear	28	36-4780	2	Washer-Plain
15	120-5209	1	Key-Arm, Spring	29	138-5338	1	Bracket-Stop
16	136-5929	2	Retainer-Bearing	30	3296-47	1	Nut-Lock,NI
17	131-9665	1	Transmission Kit	31	125-2497	1	Decal-HOC, Rear
17:1:1	130-2370	1	Transmission Pulley Kit ●				

● Not illustrated

Handle and Electrical Assembly



Handle and Electrical Assembly (continued)

<i>Ref.</i>	<i>Part Number</i>	<i>Qty.</i>	<i>Description</i>	<i>Ref.</i>	<i>Part Number</i>	<i>Qty.</i>	<i>Description</i>
1	120-5204-05	1	Handle-Lower	30	114-7988	1	Guide-Cable
2	132-4484-05	1	Handle-Upper	31	130-2343	1	Spacer
3	105-6842	1	Guide-LH	32	104-9368	1	Plug-Dome
4	105-6841	1	Guide-RH	33	131-0847	1	Handle-Assist, Traction
5	104-8678	1	Handle-Control	34	99-6005	2	Bolt-Carriage
6	136-7150	1	Bar-Control, Traction	35	137-4808	2	Nut-Acorn
7	127-6842	1	Lever-Traction	36	106-8397	1	Battery-Wet
8	120-7025	2	Bolt-Shoulder, HHF	37	108-3795	1	Housing-Switch, Key
9	32144-1	1	Screw-Taptite	38	321-50	1	Screw-HH
10	133-1998	1	Cable-Brake	39	92-7729	1	Anchor-Cable, Upper
12	127-6867	1	Cable-Traction	40	23-0660	1	Switch-Starter
14	140-4357	1	Decal-Battery Charging	40:1	218-461	1	Nut-HH
15	132-4516	2	Plug-Square	40:2	3254-5	1	Washer-Lock
17	136-7166	1	Spring-Torsion	41	108-3796	1	Cover-Swch
18	117-1019	1	Decal	42	32144-111	2	Screw-PPH
19	108-3788-03	1	Bail-Brake	43	700918	1	Key
20	106-9169	1	Screw-HWH	44	136-9126	1	Charger, Battery (12V)
21	107-7462	1	Spring-Torsion	45	108-9751	1	Decal-Switch, Ignition
22	107-7463	1	Spacer	46	136-5895	1	Harness-Wire
23	138-3220	1	Lever	46:4	99-6124	1	Fuse-40 Amp ●
24	32128-17	1	Nut-Lock, Flange	47	108-0987	1	Foam-Battery
25	112-8884	1	Knob	49	120-3329	1	Cover-Battery
26	3290-337	1	Nut-Speed	57	3256-1	1	Washer-Flat
27	3296-29	2	Nut-Lock, NI	58	3296-73	1	Nut-Lock, NI
28	92-2260	2	Screw-Handle	99	614249	3	Tie-Cable ●
29	117-5976	2	Knob-Handle				

● Not illustrated

Attachments and Accessories

For 21200 TimeMaster 30in Lawn Mower

Product Name	Model/Part
Hi-Lift Repl Blade Kit Timemaster	20122P
Mower Cover	490-7461
Bagger Kit.....	59165
Lawn Striping Kit with 30in Roller.....	20602
Bag-Walk Behind (Toro).....	490-7318
Oil-30/10W-30 Synthetic (Quart).....	138-6053
Summer Oil-Case of 24 (20oz Bottles).....	38916
4-Cycle Fuel, Snow And Lawn 32oz Can	131-3823
Fuel Stabilizer .05 oz	130-2393
Toro Premium Fuel Treatment 12 Oz Bottle	131-6572
Toro 4-Cycle SAE 30 Oil (32oz Bottle)	38903

Notes:

Notes:

Notes:



Count on it.