



Count on it.

Parts Catalog

**Workman® HD
Utility Vehicle with Bed**

Model No. 07369—Serial No. 409500000 and Up



Ordering Replacement Parts

To order replacement parts, please supply the part number, the quantity, and the description of each part desired.

Understanding Reference Numbers

Each identified part in an illustration has a reference number. The reference number for a part also appears in the parts list, along with other information about the part.

This catalog uses two special reference number formats, one to indicate parts in a service assembly and another to indicate the quantity of a given part in an illustration.

Service Assembly Reference Numbers

Parts in service assemblies have reference numbers in the form a:b. The a represents the reference number of the entire service assembly and the b represents a sequential number unique to each part within the service assembly.

For example, a wheel assembly might be identified by reference number 6, the tire by 6:1, the valve by 6:2, and the wheel by 6:3. When you order the assembly identified by reference number 6, you receive all parts identified by reference numbers 6:1, 6:2, and 6:3. However, you may also order any part individually. Reference numbers of this type appear in illustration and in parts lists.

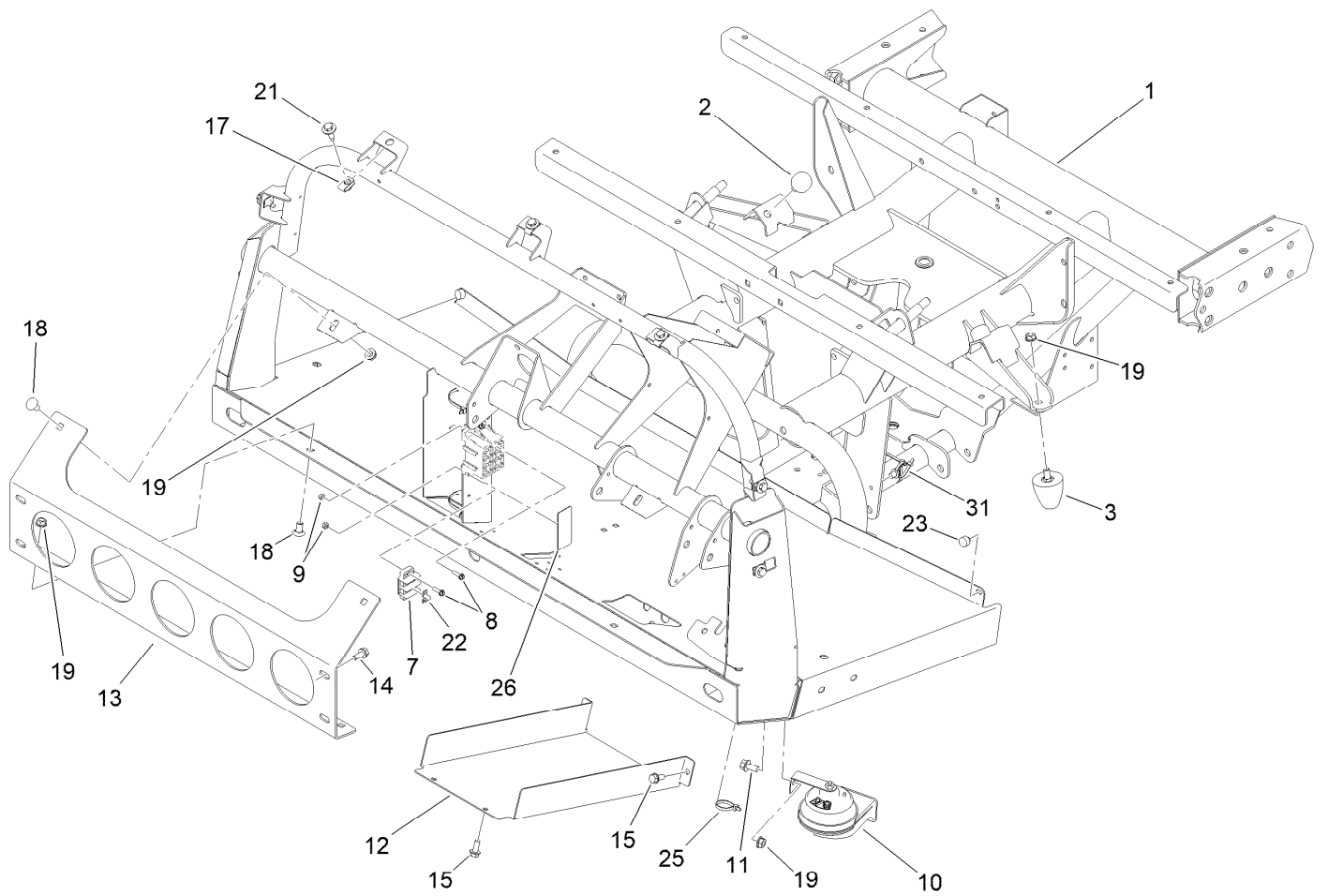
Reference Numbers Indicating Quantity

In an illustration, if a reference number indicates more than one part, the reference number has the form nX y. The n represents the quantity of the part, the X is the multiplication symbol, and the y represents the reference number.

For example, in an illustration, the reference number 2X 37 means that two of the parts identified by reference number 37 are indicated.

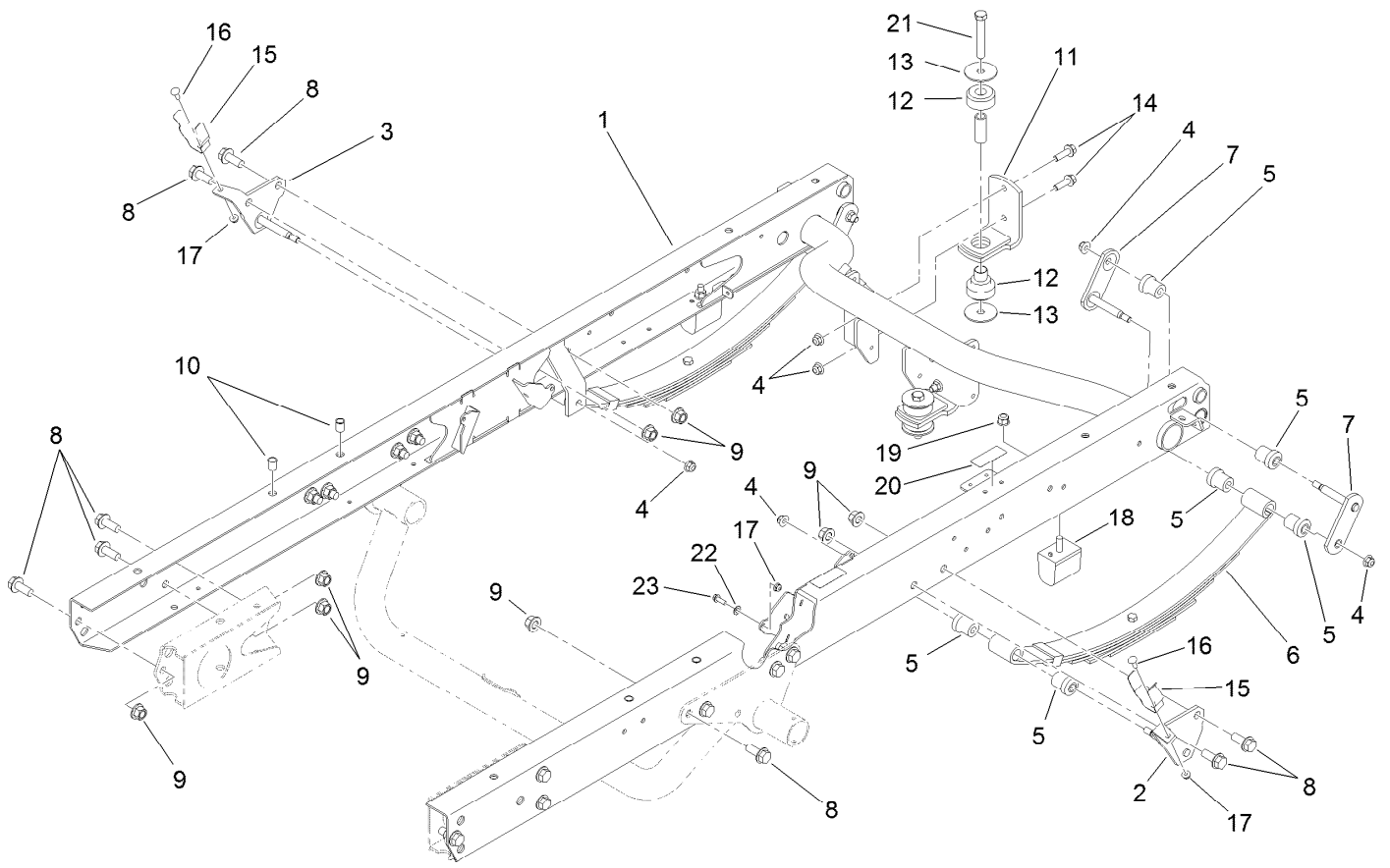
Contents

Front Frame Assembly	4
Rear Frame and Suspension Assembly	5
Rear Axle Assembly	6
Brake Caliper Assembly No. 127-7424	7
Front and Rear Brake Line Assembly	8
Front Suspension Assembly	9
Steering and Front Wheel Assembly	10
Steering Linkage Assembly	11
Hydraulic Cylinder Assembly No. 112-3217	12
Front Control Arm Assembly	13
Brake and Clutch Pedal Assembly	14
Master Cylinder Assembly No. 104-6782	15
Accelerator Pedal Assembly	16
Console Assembly	17
Shift Assembly No. 106-7887	19
Bumper, Hood and Seat Base Assembly	20
Dash Assembly	21
Steering Hydraulic Assembly	22
Steering Valve Assembly No. 120-4813	23
Seat Assembly	24
Roll-Over Protection System Assembly	25
Full Bed and Side Panel Assembly	26
Engine Sub Frame Assembly	27
Hydraulic Gear Pump Assembly No. 112-2983	28
Engine Assembly	29
Muffler Assembly	31
Clutch Linkage Assembly	32
Transaxle Assembly	33
Case Assembly Transaxle Assembly No. 115-7783	34
Center Plate Assembly Transaxle Assembly No. 115-7783	35
Main Shaft Assembly Transaxle Assembly No. 115-7783	36
Reduction Shaft Assembly Transaxle Assembly No. 115-7783	37
Reverse Shaft Assembly Transaxle Assembly No. 115-7783	38
Main Shift Assembly Transaxle Assembly No. 115-7783	39
Hi-Lo Shift Assembly Transaxle Assembly No. 115-7783	40
Countershaft Assembly Transaxle Assembly No. 115-7783	41
Differential Gear Assembly Transaxle Assembly No. 115-7783	42
Differential Carrier Assembly Transaxle Assembly No. 115-7783	43
Differential Lock Assembly Transaxle Assembly No. 115-7783	44
Axle Shaft Assembly Transaxle Assembly No. 115-7783	45
Battery Assembly	46
Tail Light and Fender Assembly	47
Fuel System Assembly	48
Hydraulic Lift Cylinder Assembly	49
Hydraulic Cylinder Assembly No. 133-0620	51
Lift Valve Assembly	52
Control Valve Assembly No. 43-1950	53
Front and Rear Wire Harness Assembly	54
Attachments and Accessories	55



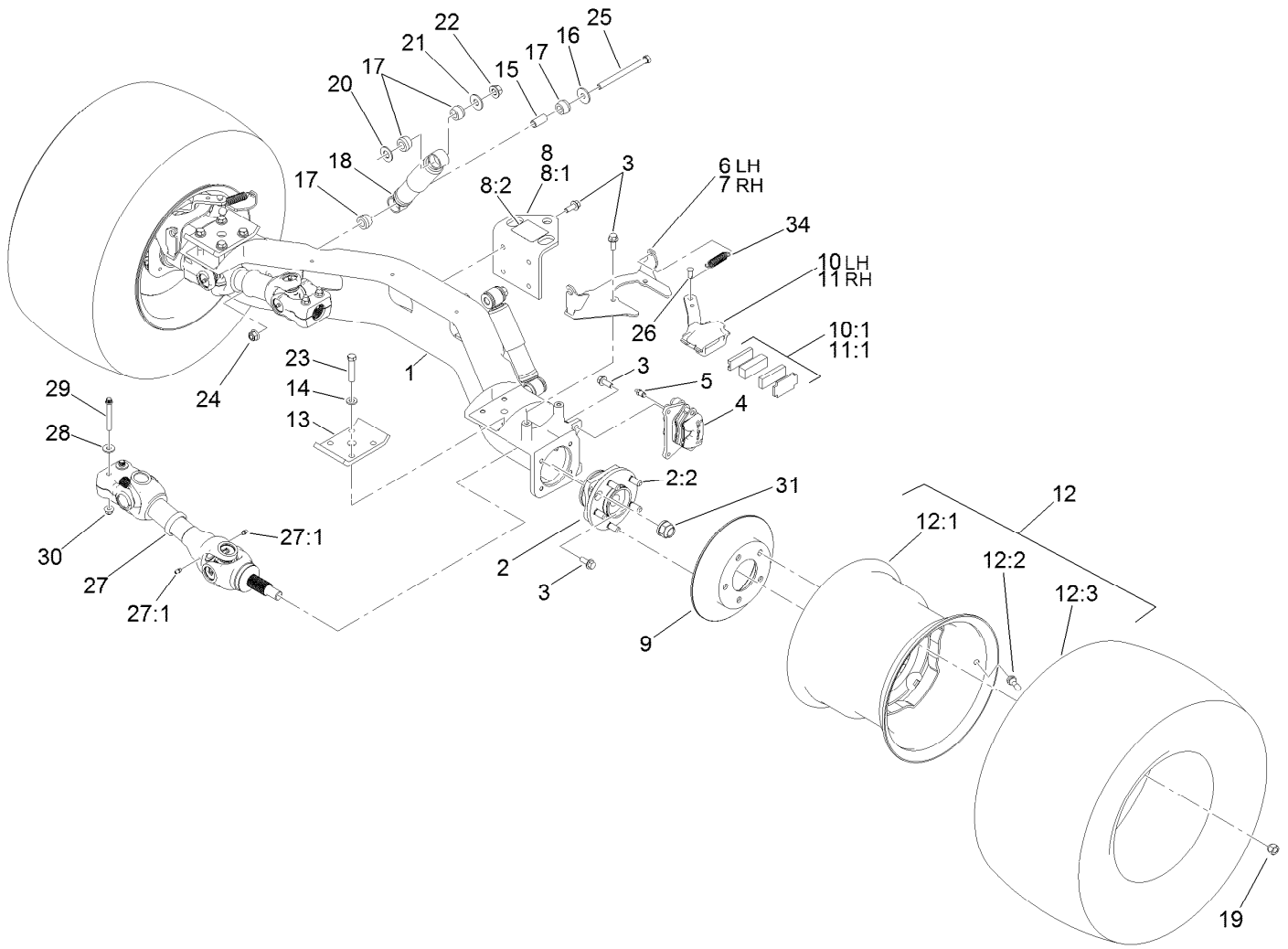
Front Frame Assembly

<i>Ref.</i>	<i>Part Number</i>	<i>Qty.</i>	<i>Description</i>	<i>Ref.</i>	<i>Part Number</i>	<i>Qty.</i>	<i>Description</i>
1	138-9251	1	Frame-Front	15	32144-70	4	Screw-HWHTF
2	87-2440	2	Bumper-Rubber	17	94-2413	7	Nut-U
3	26-0071	2	Snubber-Rubber	18	3231-21	4	Screw-CARR
7	42862	1	Block-Terminal, Ground	19	3290-357	7	Nut-HHF, Whiz
8	32105-13	6	Screw-HWH	21	114-8418	7	Screw-HWH, Sems
9	3296-2	6	Nut-Lock, NI	22	42863	1	Strip-Jumper
10	110-2594	1	Horn	23	107-8042	2	Bumper-Rubber
11	3234-1	1	Screw-HHF	25	3290-379	9	Tie-Cable
12	106-2427-03	1	Cover	26	115-7813	1	Decal-Fuse
13	114-8272-03	1	Bracket-Bumper	31	32180-030	2	Clip-Tie
14	3234-5	4	Screw-HHF				



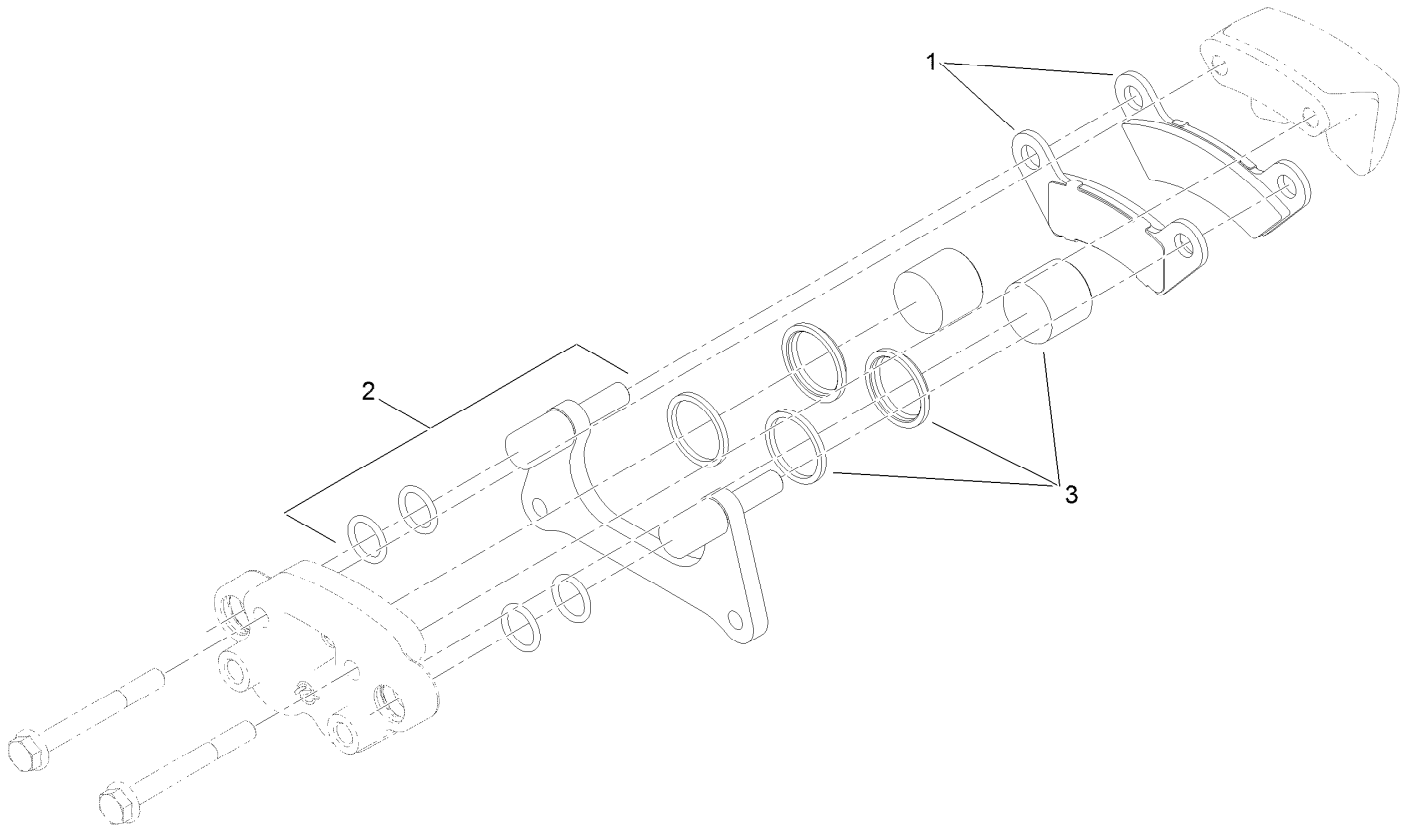
Rear Frame and Suspension Assembly

<i>Ref.</i>	<i>Part Number</i>	<i>Qty.</i>	<i>Description</i>	<i>Ref.</i>	<i>Part Number</i>	<i>Qty.</i>	<i>Description</i>
1	115-2255-03	1	Frame-Rear	13	87-5100	4	Washer-Snubbing
2	131-3474	1	Mount-Spring, LH	14	3234-24	4	Screw-HHF
3	131-3472	1	Mount-Spring, RH	15	108-3109	2	Retainer-Cylinder
4	104-8301	10	Nut-HF, NI	16	3229-1	2	Screw-CARR
5	87-4760	12	Bushing-Rubber	17	104-7201	3	Nut-HF, NI
6	87-1490	2	Spring-Leaf, Rear	18	87-3470	2	Bumper
7	131-3476	4	Shackle	19	103-9511	2	Nut-Lock, NI
8	3234-38	18	Screw-HHF	20	115-2047	2	Decal-Surface, Hot
9	99-5107	18	Nut-Lock	21	33116-080	2	Screw-HH
10	32148-9	4	Nut-Clinch	22	119-8952	1	Washer
11	87-5800-03	2	Mount-Transaxle	23	321-3	1	Screw-HH
12	106-7865	2	Mount-Engine				



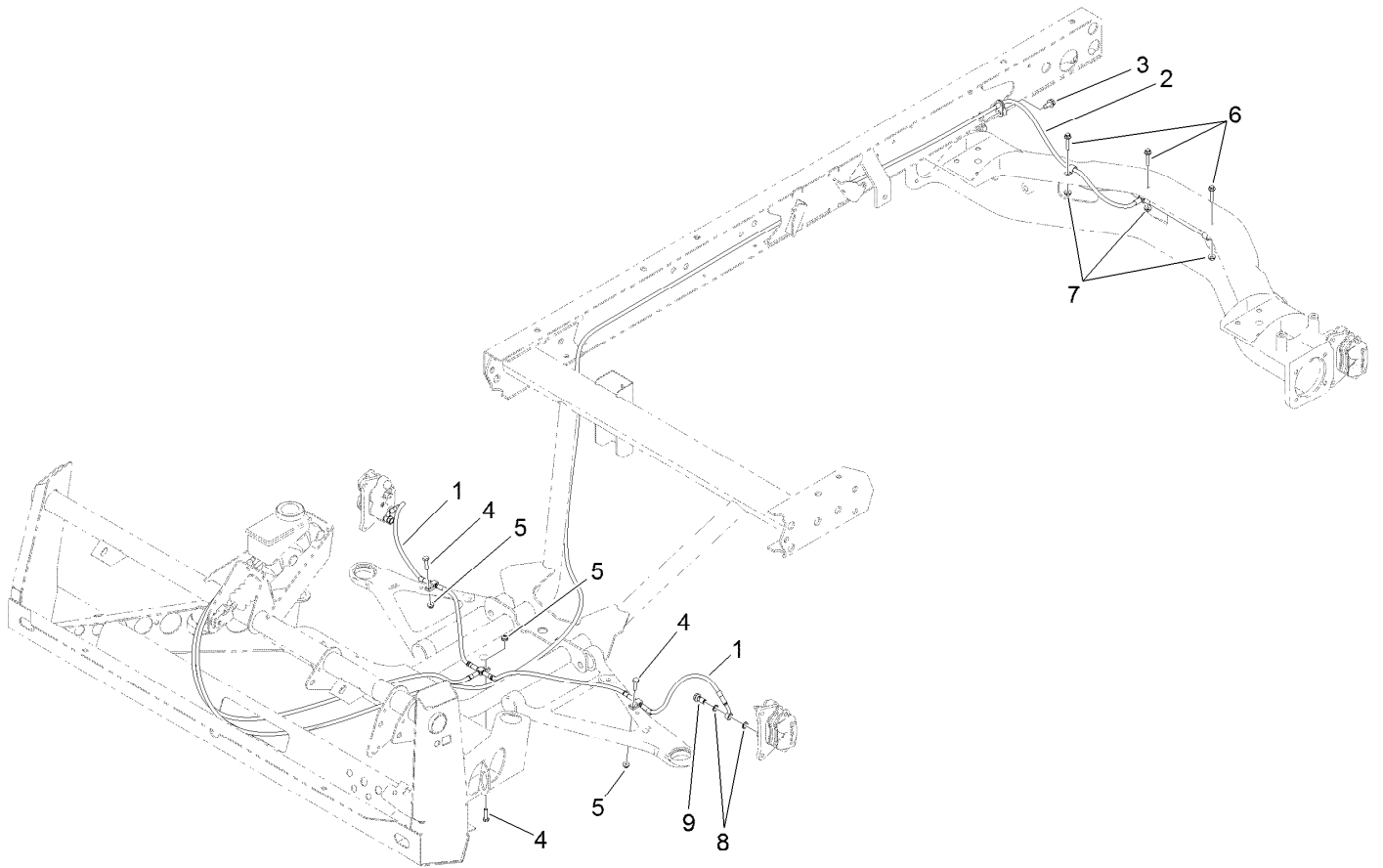
Rear Axle Assembly

Ref.	Part Number	Qty.	Description	Ref.	Part Number	Qty.	Description
1	119-9515	1	Axle-Rear	14	87-7480	8	Washer
2	121-9751	2	Hub-Bearing, Wheel	15	87-3600	2	Spacer-Absorber, Shock
2:2	121-9752	5	Stud-Wheel	16	87-5330	2	Washer
3	3234-11	20	Screw-HHF	17	87-3920	8	Bushing
4	127-7424	2	Brake Caliper ASM	18	121-9774	2	Absorber-Shock
5	119-9509	2	Screw-Bleed	19	242-50	10	Nut-Lug
6	115-2362-0P	1	Bracket ASM-Caliper, LH	20	3256-27	2	Washer-Flat
7	115-2359-0P	1	Bracket ASM-Caliper, RH	21	3256-6	2	Washer-Flat
8	115-7742	1	Hitch ASM	22	99-5107	2	Nut-Lock
8:1	92-5951-03	1	Angle-Hitch	23	115-2398	8	Bolt-HH
8:2	136-1163	1	Decal-Load, Towing	24	114-8417	2	Nut-HF, NI
9	114-8351	2	Rotor-Brake	25	114-8424	2	Screw-HH
10	114-8365	1	Caliper-Mechanical, LH	26	283-85	2	Pin-Clevis
10:1	115-7847	1	Parking Brake Pad Kit	27	138-5600	2	Driveshaft ASM
11	114-8366	1	Caliper-Mechanical, RH	27:1	302-5	2	Fitting-Grease
11:1	115-7847	1	Parking Brake Pad Kit	28	80-6990	4	Washer-Hardened
12	131-8428	2	Tire/Wheel ASM	29	98-2939	4	Screw-Cap
12:1	131-6673	1	Tire-Rear	30	104-8301	4	Nut-HF, NI
12:2	131-8429	1	Wheel	31	115-2164	2	Nut-Spindle
12:3	232-27	1	Stem-Valve	34	104-6415	2	Spring-Return, Pedal
13	87-7470-0P	2	Plate - Sprg Clamp *b				



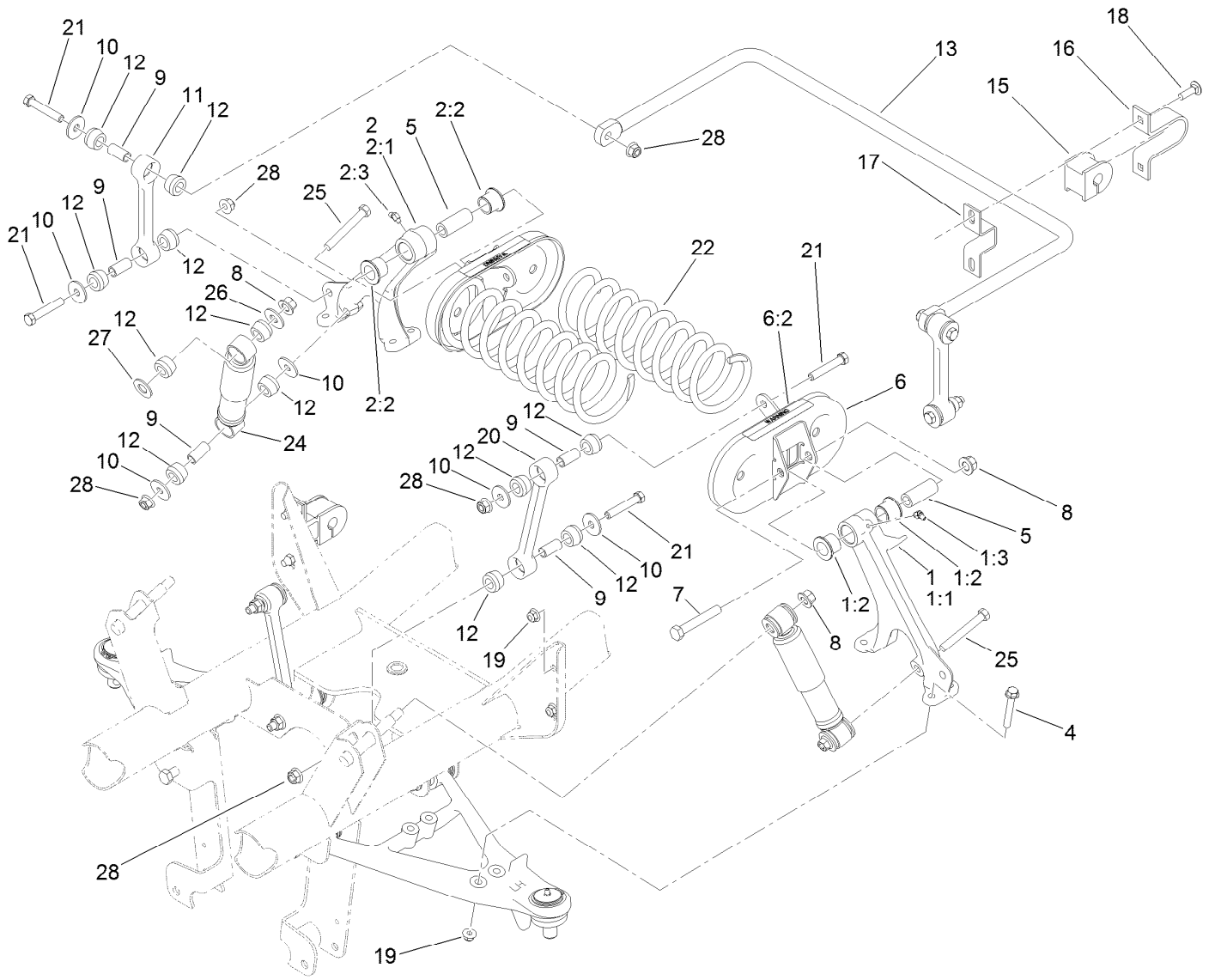
Brake Caliper Assembly No. 127-7424

<i>Ref.</i>	<i>Part Number</i>	<i>Qty.</i>	<i>Description</i>
1	133-0628	1	Brake Pad Kit
2	119-9511	1	Bracket Kit
3	133-0614	1	Piston Kit



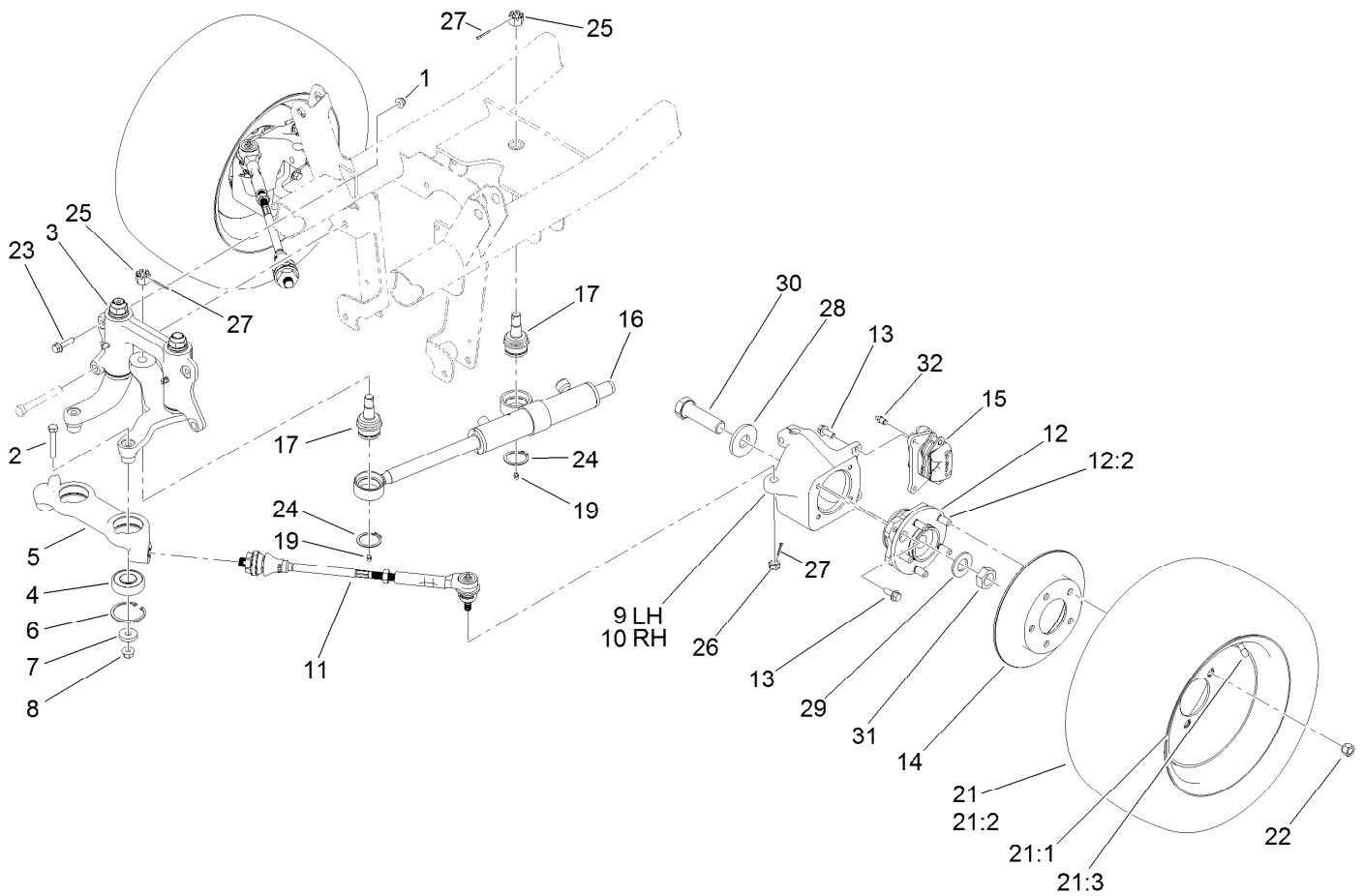
Front and Rear Brake Line Assembly

<i>Ref.</i>	<i>Part Number</i>	<i>Qty.</i>	<i>Description</i>
1	119-9682	1	Front Brake Line ASM
2	119-9681	1	Rear Brake Line ASM
3	32144-70	1	Screw-HWHTF
4	321-6	3	Screw-HH
5	104-7201	3	Nut-HF, NI
6	3234-21	3	Screw-HHF
7	32128-33	3	Nut-HF
8	115-2341	8	Washer-Banjo
9	120-4875	4	Bolt-Flange, Banjo



Front Suspension Assembly

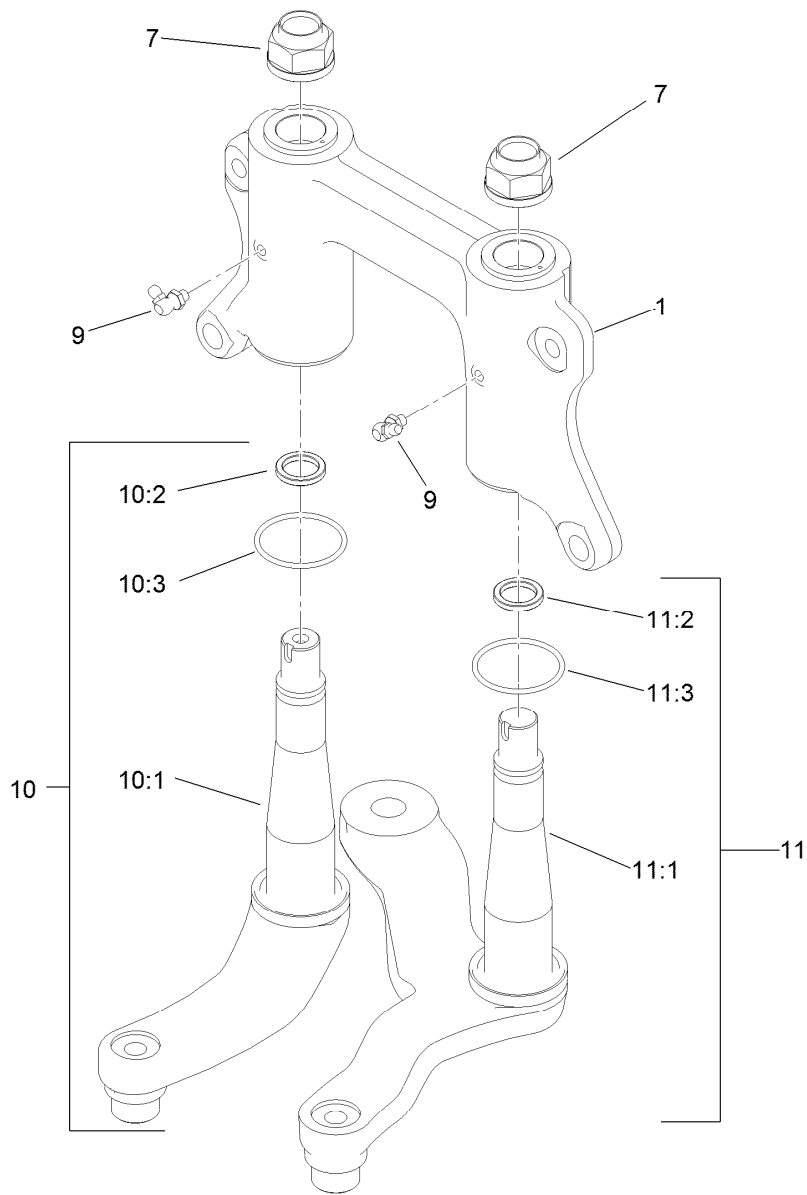
Ref.	Part Number	Qty.	Description	Ref.	Part Number	Qty.	Description
1	137-1693	1	Control Arm-LH	11	119-6725	2	Link, Anti-Sway Bar
1:1	87-0160-03	1	Tower-Control Arm, LH	12	87-3920	24	Bushing
1:2	33-3090	2	Bushing	13	133-0633-0P	1	Bar-Anti-Sway, HD
1:3	302-11	1	Fitting-Lube, 45 DEG	15	87-3910	2	Bushing-Rubber
2	137-1692	1	Control Arm-RH	16	87-4010	2	Clamp, Anti-Sway Bar
2:1	87-0150-03	1	Tower-Control Arm, RH	17	87-3890	2	Bracket, Anti-Sway Bar
2:2	33-3090	2	Bushing	18	3231-25	4	Bolt-CARR
2:3	302-11	1	Fitting-Lube, 45 DEG	19	104-8301	12	Nut-HF, NI
4	3234-39	8	Screw-HHF	20	119-6724	2	Link-Stabilizer
5	87-2500	2	Sleeve-Spring, Pivot	21	324-10	8	Screw-HH
6	105-7958	2	Spring Cradle ASM	22	140-2566	2	Spring-Compression
6:2	93-9879	1	Decal-Warning	24	121-9774	2	Absorber-Shock
7	325-13	2	Screw-HH	25	324-13	2	Screw-HH
8	99-5107	4	Nut-Lock	26	3256-6	2	Washer-Flat
9	87-3600	10	Spacer-Absorber, Shock	27	3256-27	2	Washer-Flat
10	87-5330	12	Washer	28	114-8417	10	Nut-HF, NI



Steering and Front Wheel Assembly

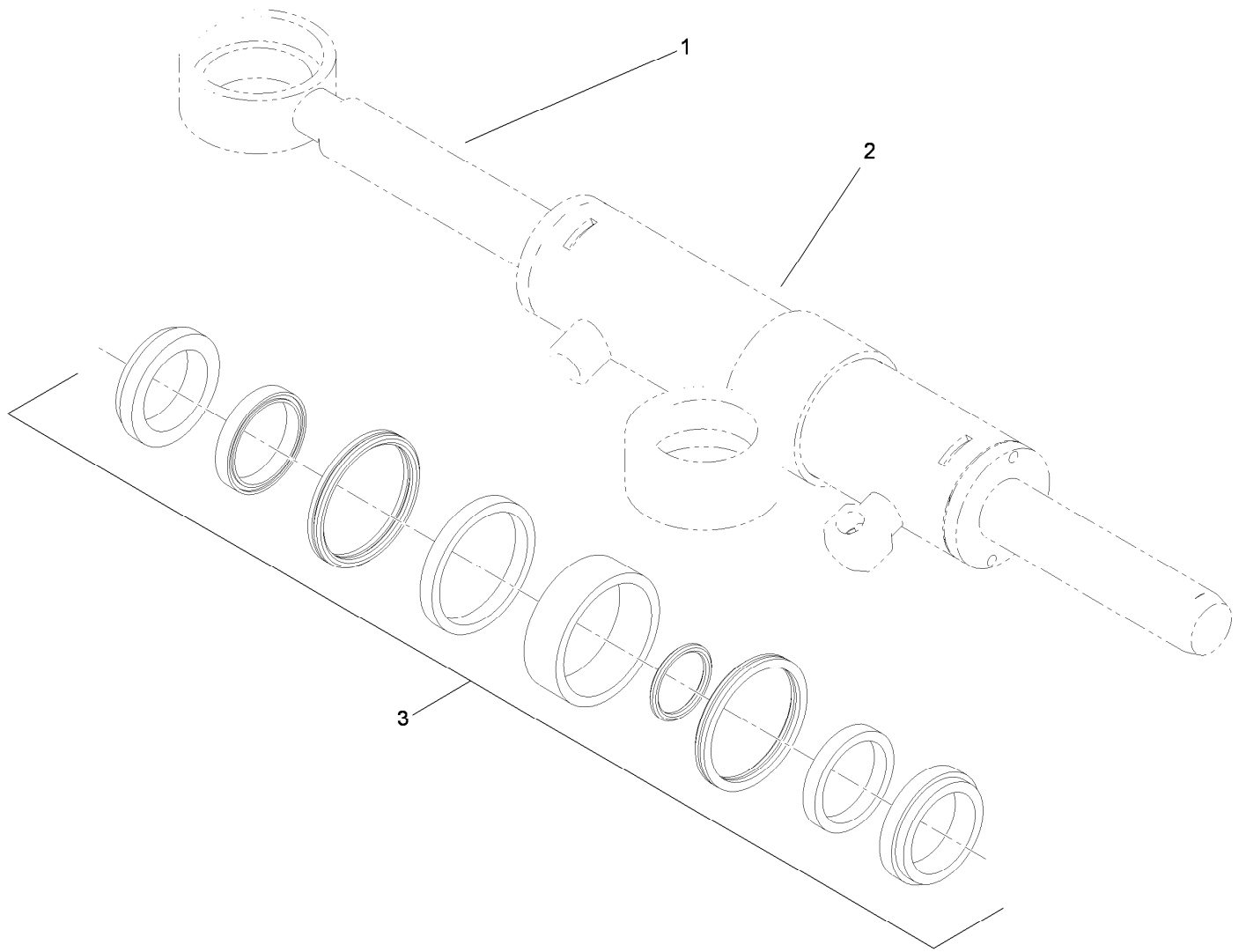
Ref.	Part Number	Qty.	Description	Ref.	Part Number	Qty.	Description
1	104-8301	2	Nut-HF, NI	17	106-6774	2	Joint-Ball
2	324-10	2	Screw-HH	19	302-5	2	Fitting-Grease
3		1	Steering Linkage ASM ●	21	131-8430	2	Tire/Wheel ASM
4	119-9548	2	Bearing-Ball	21:1	131-8431	1	Wheel
5	114-8296	1	Link-Center	21:2	131-6670	1	Tire
6	32120-22	2	Ring-Snap, Internal	21:3	232-27	1	Stem-Valve
7	112843	2	Washer	22	242-50	10	Nut-Lug
8	114-8417	2	Nut-HF, NI	23	114-4681	2	Screw-HHF
9	119-9513	1	Knuckle-LH	24	32151-104	2	Ring-Retaining, External
10	119-9514	1	Knuckle-RH	25	32136-14	2	Nut-Hst
11	114-8356	2	Tie Rod ASM	26	32136-3	2	Nut-SHH
12	121-9751	2	Hub-Bearing, Wheel	27	3272-11	4	Pin-Cotter
12:2	121-9752	5	Stud-Wheel	28	104-0719	2	Washer-Hardened
13	3234-11	12	Screw-HHF	29	3256-62	2	Washer-Flat
14	114-8351	2	Rotor-Brake	30	115-2173	2	Screw-HH
15	127-7424	2	Brake Caliper ASM	31	3296-49	2	Nut-Lock, NI
16	112-3217	1	HYD Cylinder ASM	32	119-9509	2	Screw-Bleed

● Not serviced separately



Steering Linkage Assembly

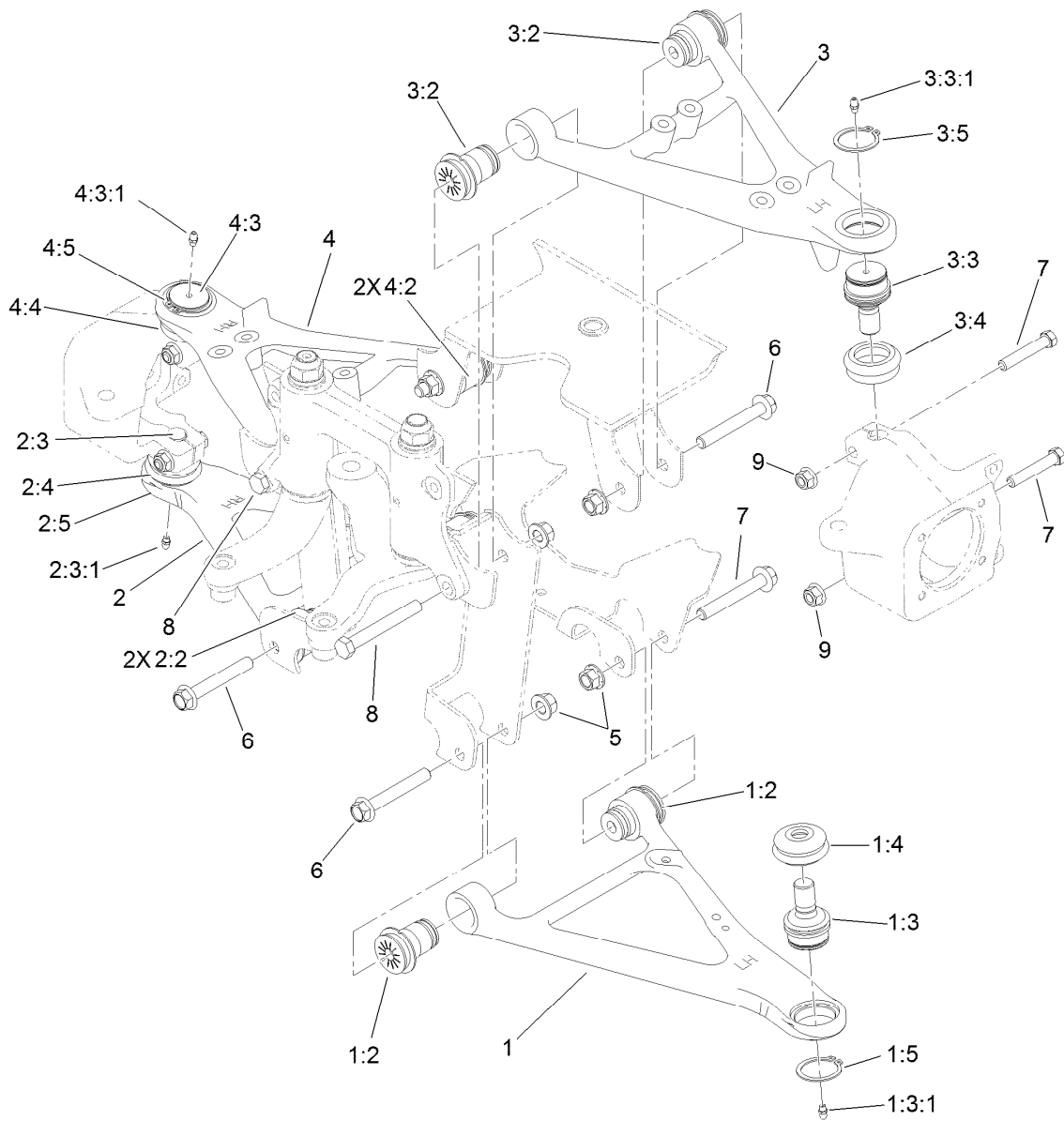
<i>Ref.</i>	<i>Part Number</i>	<i>Qty.</i>	<i>Description</i>
1	132-6767	1	Mount-Pivot, W/Bushings
7	115-2164	2	Nut-Spindle
9	302-60	2	Fitting-Grease
10	132-0794	1	Idler Arm ASM
10:1	132-0792	1	Idler Arm And Thrust Washer ASM
10:2	93-7510	1	Ring-Quad
10:3	131-3499	1	O-Ring
11	132-0795	1	Pitman Arm ASM
11:1	132-0793	1	Pitman Arm And Thrust Washer ASM
11:2	93-7510	1	Ring-Quad
11:3	131-3499	1	O-Ring



Hydraulic Cylinder Assembly No. 112-3217

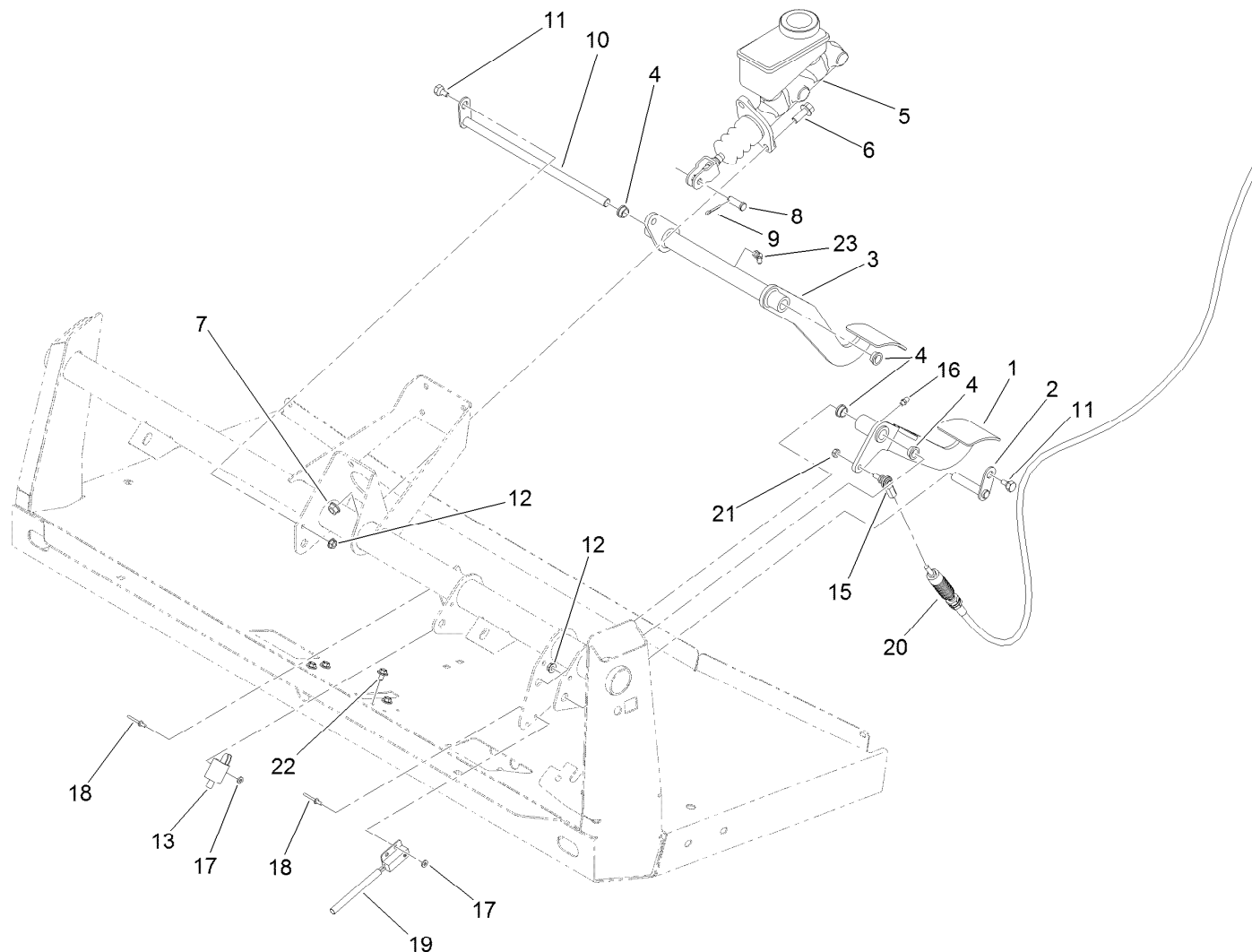
<i>Ref.</i>	<i>Part Number</i>	<i>Qty.</i>	<i>Description</i>
1		1	Rod-Cylinder ●
2		1	Body-Cylinder ●
3	115-2160	1	Cylinder Repair Kit

● Not serviced separately



Front Control Arm Assembly

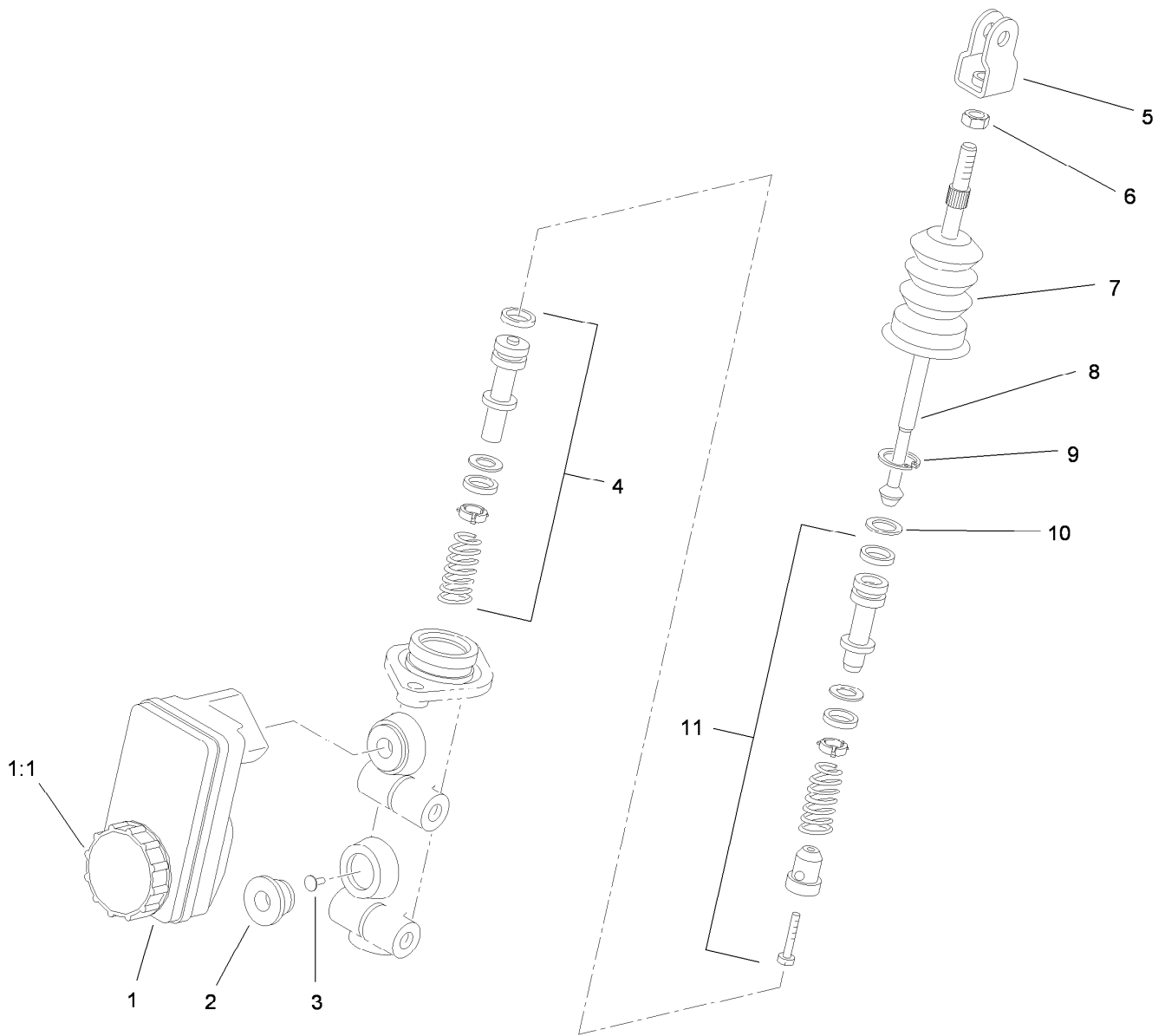
Ref.	Part Number	Qty.	Description	Ref.	Part Number	Qty.	Description
1	115-2405	1	Lower LH Control Arm ASM	3:3:1	302-5	1	Fitting-Grease
1:2	87-1450	2	Bushing-Flange	3:4	87-2420	1	Seal-Joint, Ball
1:3	115-2165	1	Ball Joint	3:5	32151-104	1	Ring-Retaining, External
1:3:1	302-5	1	Fitting-Grease	4	115-2406	1	Upper RH Control Arm ASM
1:4	87-2420	1	Seal-Joint, Ball	4:2	87-1450	2	Bushing-Flange
1:5	32151-104	1	Ring-Retaining, External	4:3	115-2165	1	Ball Joint
2	115-2407	1	Lower RH Control Arm ASM	4:3:1	302-5	1	Fitting-Grease
2:2	87-1450	2	Bushing-Flange	4:4	87-2420	1	Seal-Joint, Ball
2:3	115-2165	1	Ball Joint	4:5	32151-104	1	Ring-Retaining, External
2:3:1	302-5	1	Fitting-Grease	5	99-5107	8	Nut-Lock
2:4	87-2420	1	Seal-Joint, Ball	6	114-8419	6	Screw-HHF
2:5	32151-104	1	Ring-Retaining, External	7	324-10	4	Screw-HH
3	115-2404	1	Upper LH Control Arm ASM	8	325-17	2	Screw-HH
3:2	87-1450	2	Bushing-Flange	9	114-8417	4	Nut-HF, NI
3:3	115-2165	1	Ball Joint				



Brake and Clutch Pedal Assembly

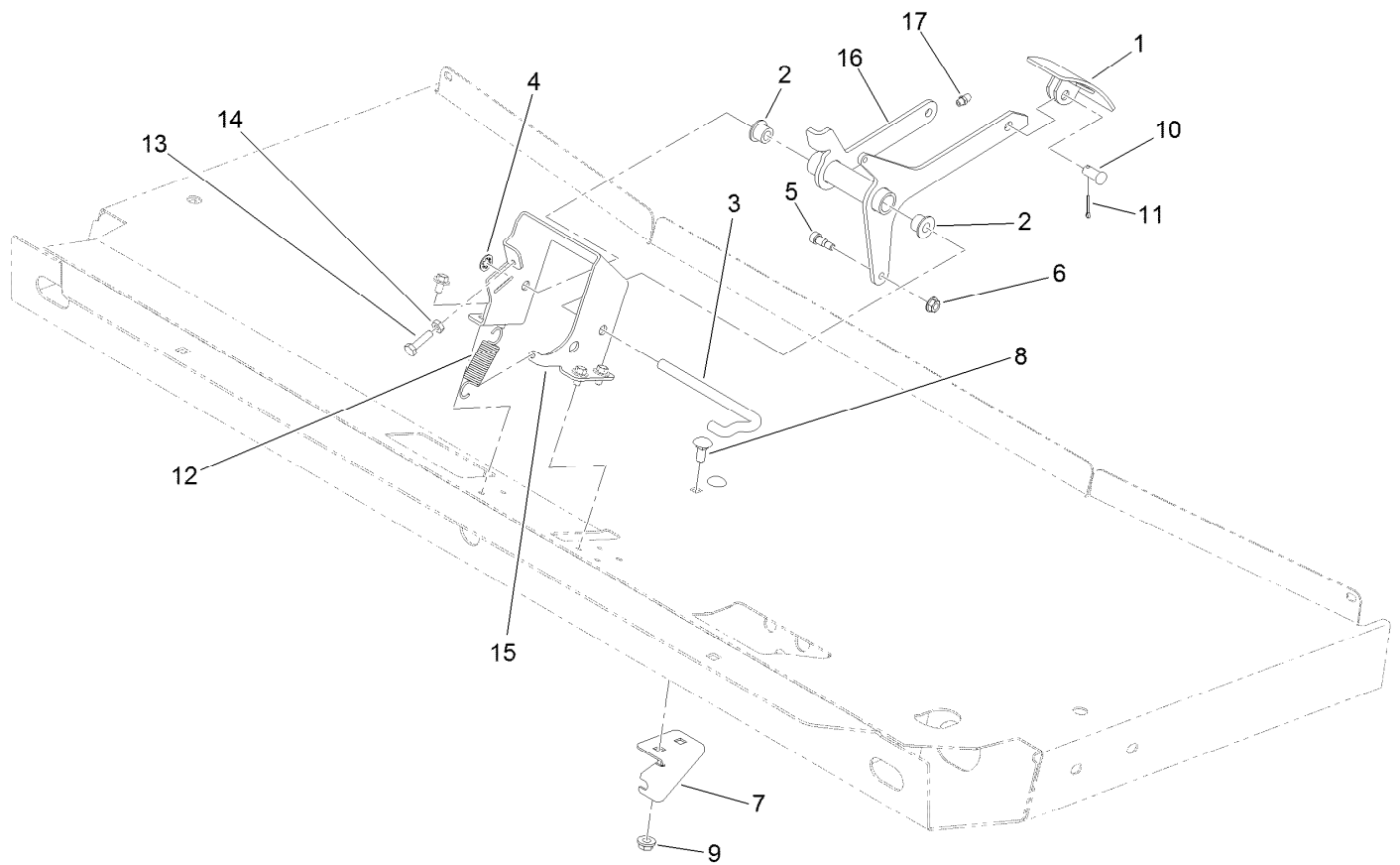
Ref.	Part Number	Qty.	Description
1	127-7357-03	1	Pedal-Clutch
2	115-2269	1	Pin-Pivot
3	120-5023-03	1	Pedal-Brake
4	256-156	4	Bushing-Flange
5	104-6782	1	Master Cylinder ASM
6	3234-11	2	Screw-HHF
7	3290-357	2	Nut-HHF, Whiz
8	283-2	1	Pin-Clevis
9	3272-10	1	Pin-Cotter
10	137-6729	1	Shaft-Brake
11	63-3410	2	Screw-Shoulder

Ref.	Part Number	Qty.	Description
12	32128-33	2	Nut-HF
13	95-1653	1	Switch-Pole, Single
15	110-2554	1	Rod End-Spherical
16	302-5	1	Fitting-Grease
17	3256-21	4	Washer-Flat
18	3269-25	4	Rivet-Pop
19	105-0023	1	Switch-Proximity
20	115-2284	1	Cable-Clutch
21	3296-13	1	Nut-Lock, NI
22	46-6811	4	Screw-HWH
23	302-60	1	Fitting-Grease



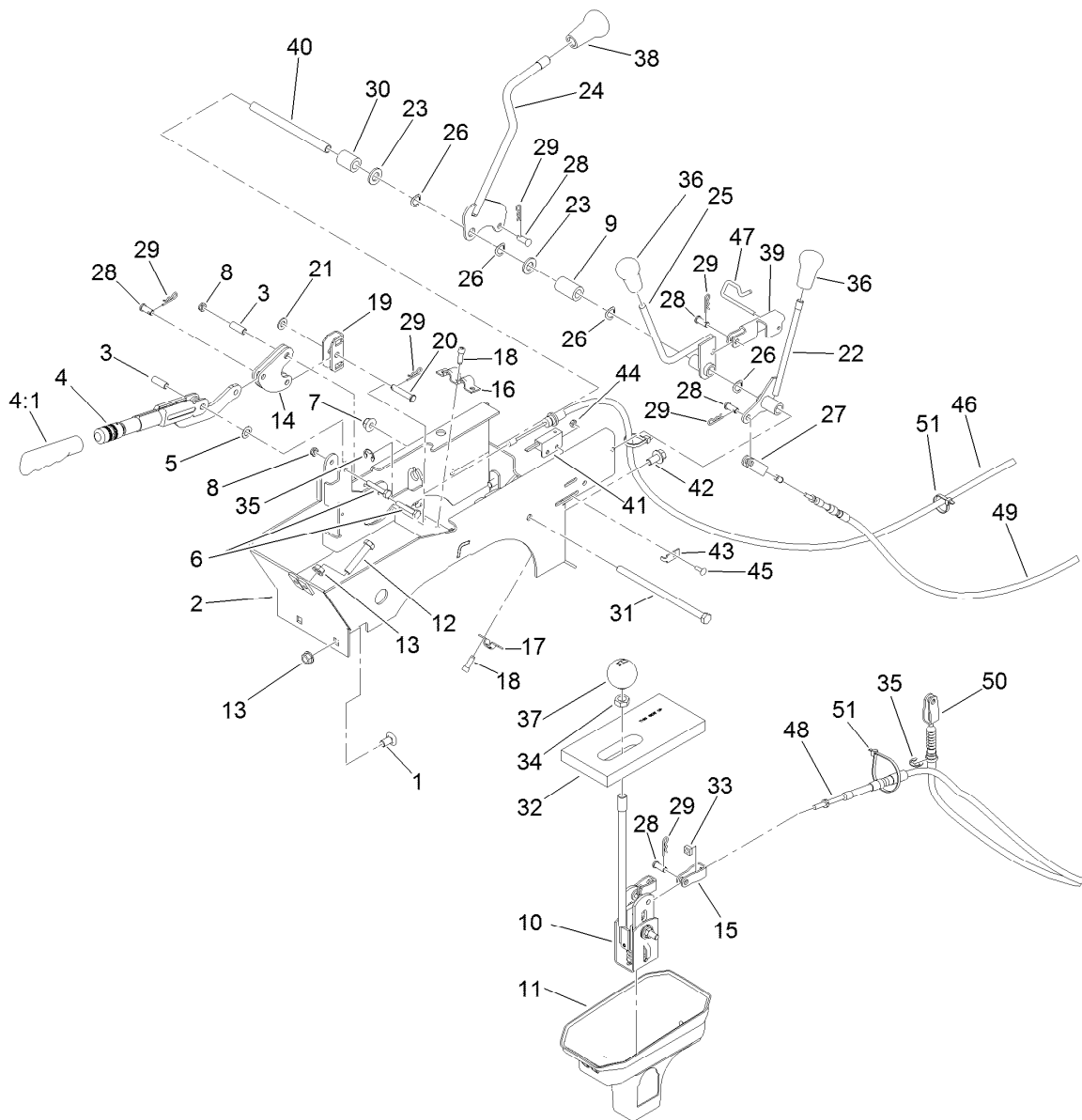
Master Cylinder Assembly No. 104-6782

<i>Ref.</i>	<i>Part Number</i>	<i>Qty.</i>	<i>Description</i>
1	104-6845	1	Reservoir ASM
1:1	92-4112	1	Cap ASM
2	93-8971	2	Seal-Port, Flange
3	92-4103	1	Pin-Stop
4	92-4102	1	Secondary Piston ASM
5	92-4110	1	Clevis
6	21-0360	1	Nut-Hex
7	94-5209	1	Cover-Dust
8	94-5210	1	Rod-Push
9	92-4109	1	Ring-Snap
10	92-4108	1	Retainer-Washer
11	92-4101	1	Primary Piston ASM



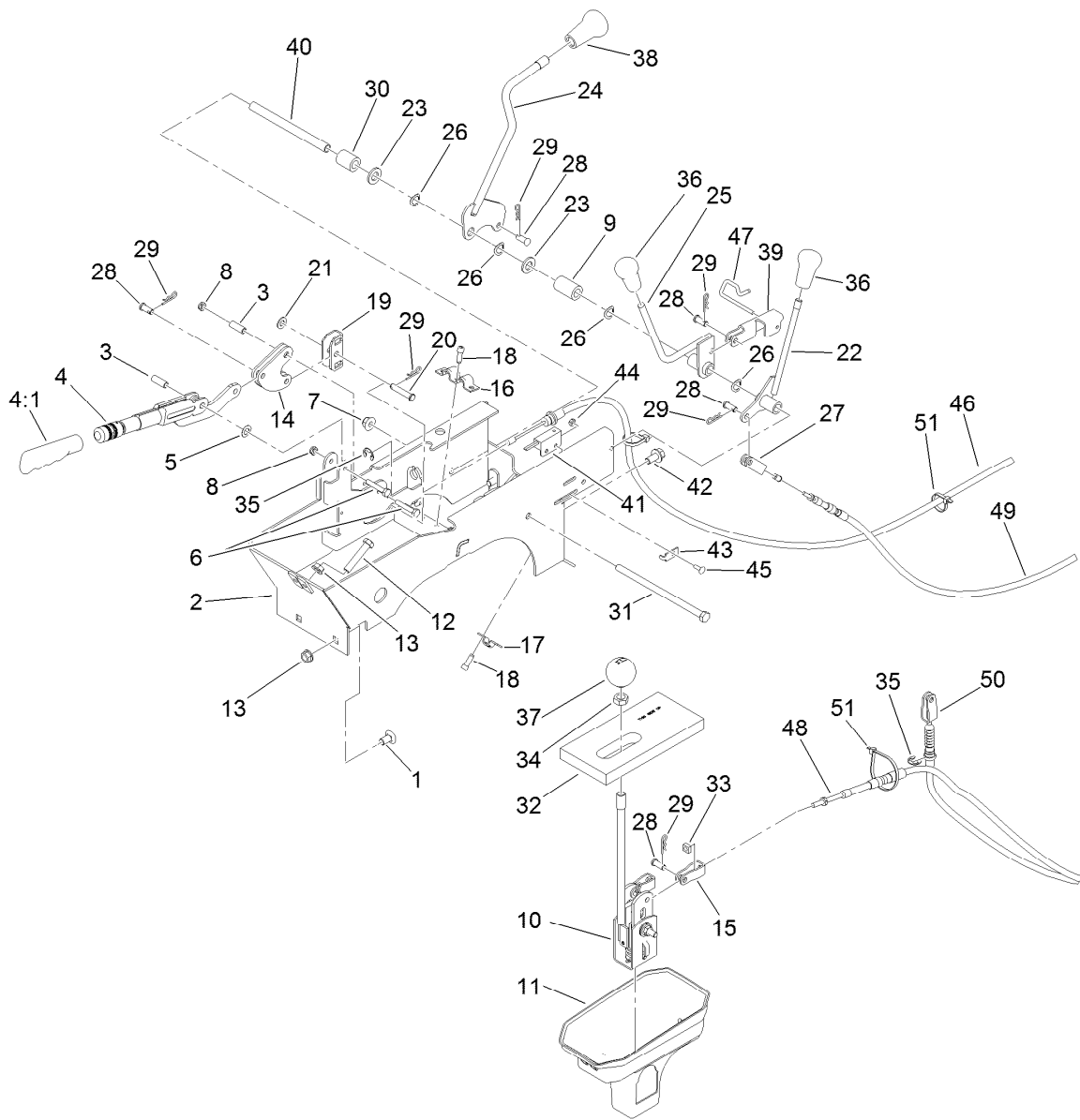
Accelerator Pedal Assembly

<i>Ref.</i>	<i>Part Number</i>	<i>Qty.</i>	<i>Description</i>	<i>Ref.</i>	<i>Part Number</i>	<i>Qty.</i>	<i>Description</i>
1	93-8969-03	1	Pedal	10	283-85	1	Pin-Clevis
2	256-259	2	Bushing-Flange	11	3272-6	1	Pin-Cotter
3	87-2880	1	Shaft-Pedal, Accelerator	12	67-1450	1	Spring-Idler
4	32151-56	1	Ring-Retaining, External	13	321-6	1	Screw-HH
5	119-4881	1	Bolt-Shoulder	14	3218-1	1	Nut-Jam
6	32128-33	1	Nut-HF	15	127-8625-03	1	Bracket-Mount, Pedal
7	120-4982	1	Bracket-Mount, Cable	16	120-4983-03	1	Pedal-Accelerator
8	3230-1	2	Bolt-CARR	17	302-5	1	Fitting-Grease
9	32128-20	2	Nut-HF				



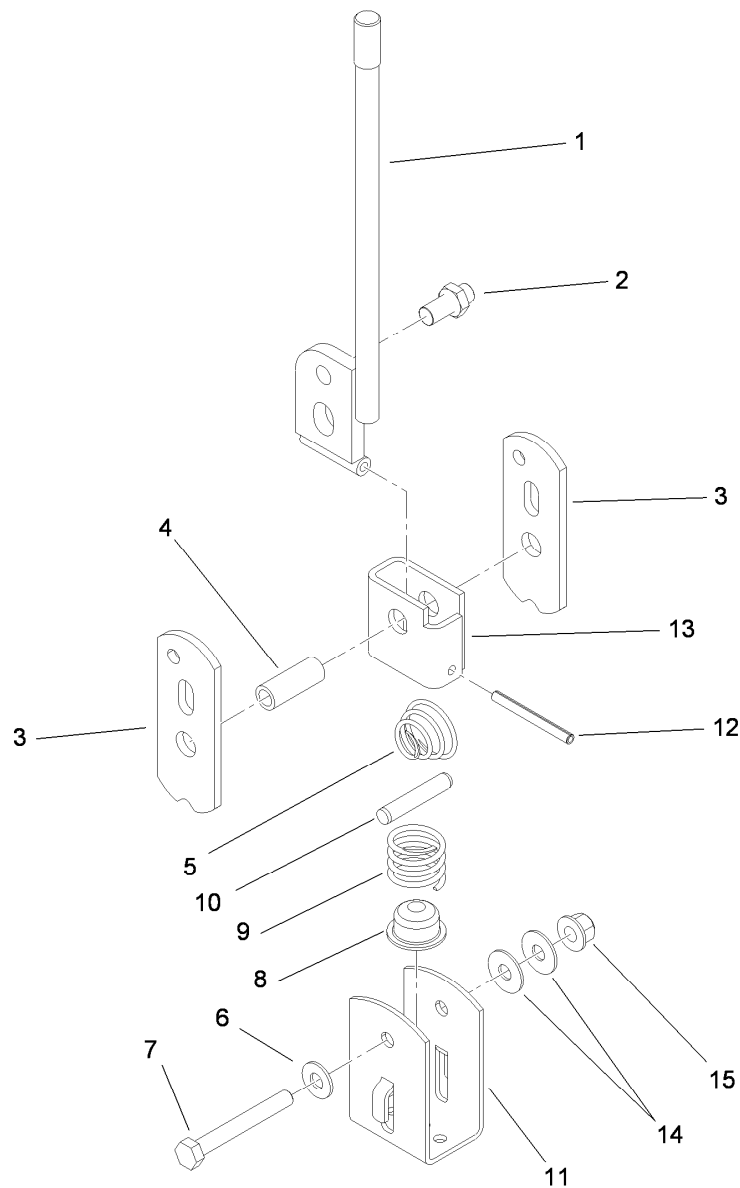
Console Assembly

Ref.	Part Number	Qty.	Description	Ref.	Part Number	Qty.	Description
1	3231-21	2	Screw-CARR	21	3256-23	1	Washer-Plain
2	108-6914-03	1	Support-Lever	22	106-7828	1	Lever
3	114402	2	Spacer	23	33096-00	2	Washer-Flat
4	127-8863	1	Lever-Brake, Park	24	131-3479	1	Lever-Lock, Differential
4:1	127-8864	1	Grip-Handle	25	106-7960	1	Lever-HYD
5	3290-477	1	Washer-Curved	26	3290-221	4	Washer-Spring
6	321-37	2	Screw-HH	27	87-7160	1	Clevis-Cable
7	104-8301	1	Nut-HF, NI	28	283-62	6	Pin-Clevis
8	3296-56	2	Nut-Lock, NI	29	3290-307	7	Pin-Cotter
9	120-5037	1	Spacer	30	66-6501	1	Spacer-Wheel
10	106-7887	1	Shift ASM	31	323-36	1	Screw-HH
11	106-2376	1	Boot-Shift, Lower	32	87-6570	1	Seal-Boot, Lower
12	323-10	2	Screw-HH	33	140-4804	2	Nut-Square
13	3290-357	4	Nut-HHF, Whiz	34	3218-18	1	Nut-Jam
14	106-7814	2	Bellcrank	35	32120-47	3	Ring-Retaining, External
15	87-2310	2	Clevis-Cable	36	106-7903	2	Knob-Control
16	87-4960	1	Clamp-Cable	37	87-6720	1	Knob-Shift
17	87-4340	1	Clamp-Cable	38	106-7952	1	Knob
18	65-5221	5	Screw-Hshtf	39	115-2250	1	Link
19	87-3480	1	Bracket-Equalizer, Cable	40	106-7833	1	Spacer
20	94-3829	1	Pin-Clevis	41	100-1270	1	Switch-Proximity



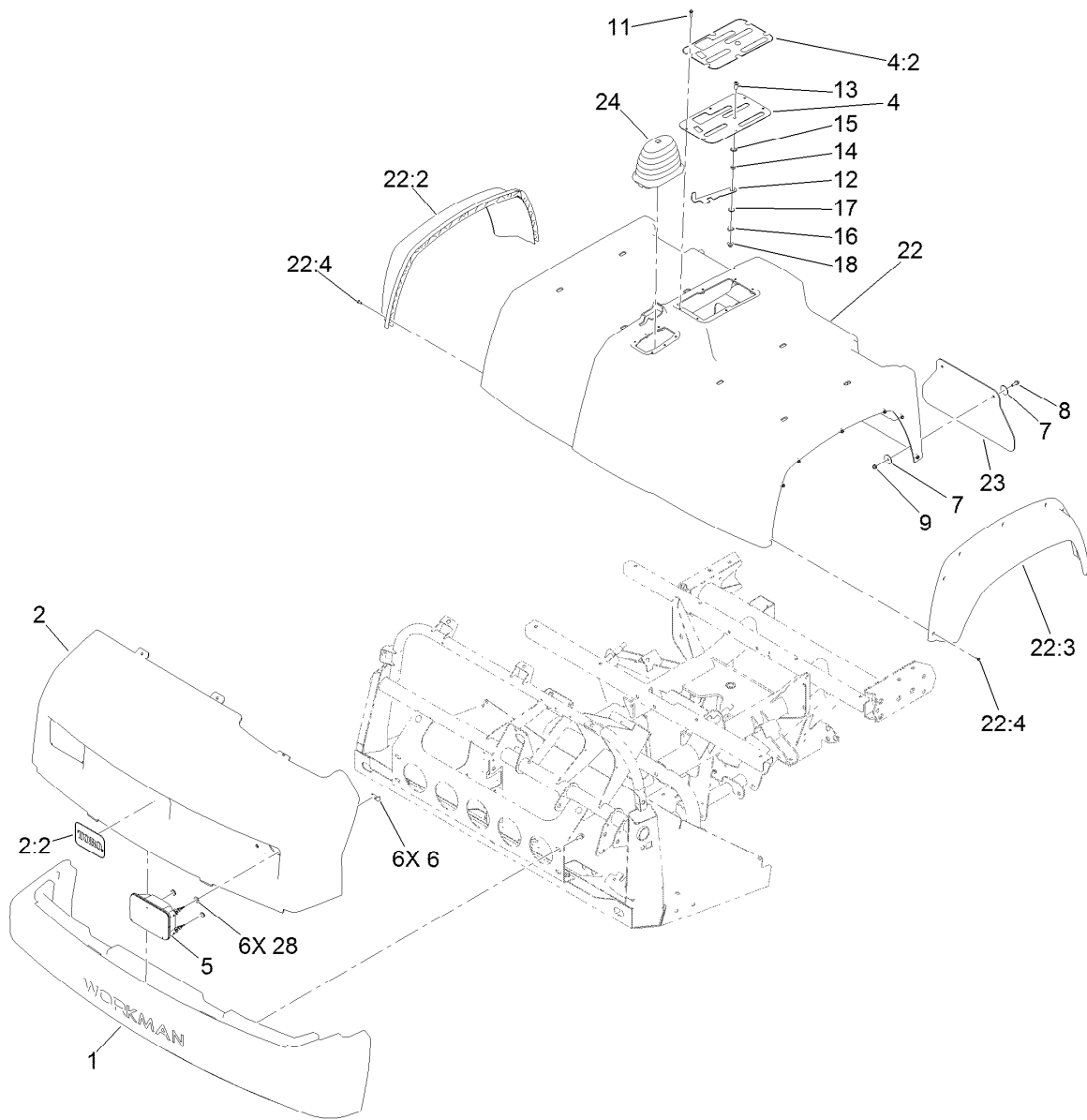
Console Assembly (continued)

<i>Ref.</i>	<i>Part Number</i>	<i>Qty.</i>	<i>Description</i>	<i>Ref.</i>	<i>Part Number</i>	<i>Qty.</i>	<i>Description</i>
42	3234-12	2	Screw-HHF	47	115-2350	1	Pin-Retainer
43	100-4872	1	Plate-Switch, Neutral	48	115-7811	2	Cable-Selector, Gear
44	3296-2	1	Nut-Lock, NI	49	115-7812	1	Cable-Hi Low
45	3229-34	1	Screw-CARR	50	115-2287	1	Cable-Lock, Differential
46	115-2283	2	Cable-Brake, Park	51	3290-379	5	Tie-Cable



Shift Assembly No. 106-7887

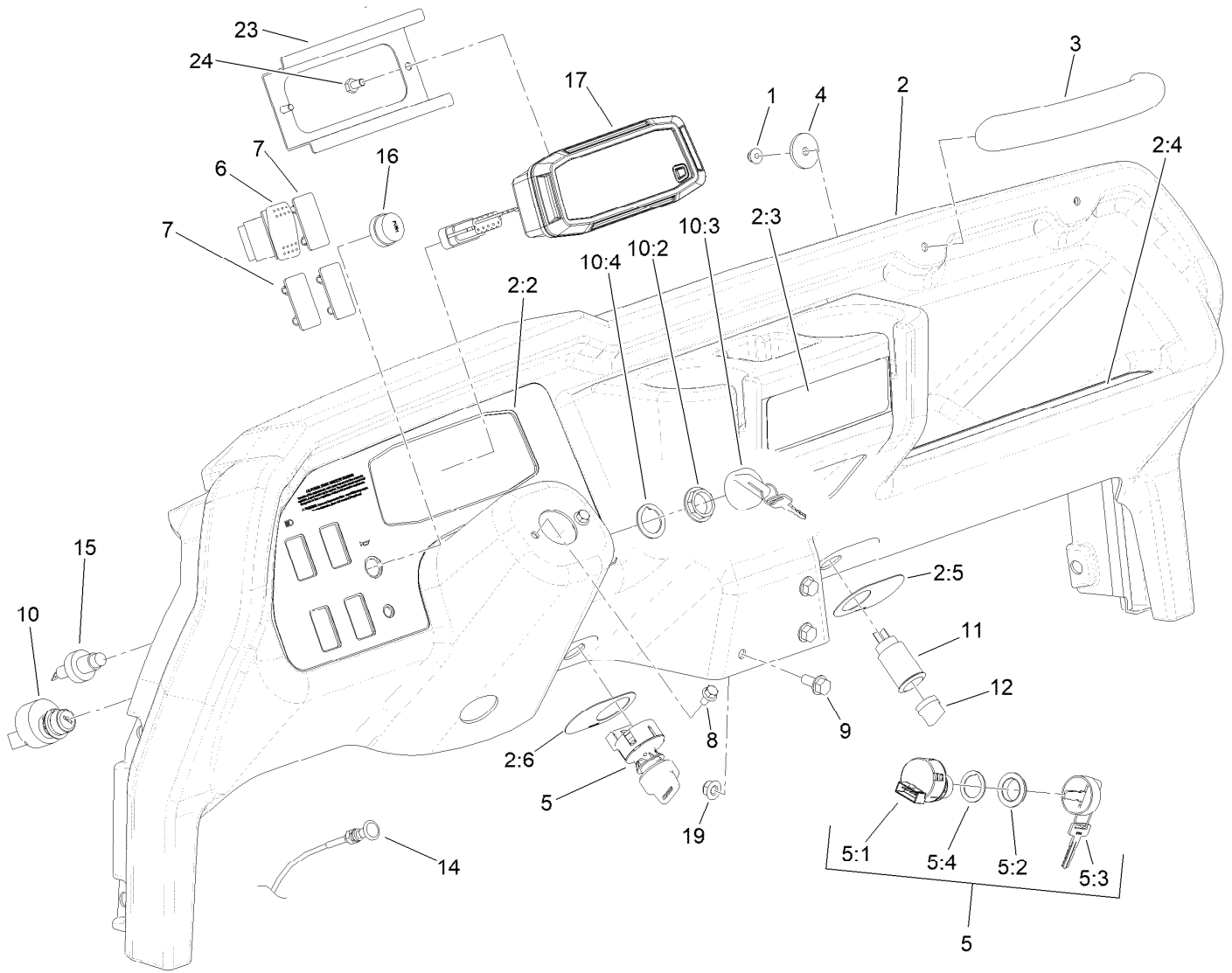
<i>Ref.</i>	<i>Part Number</i>	<i>Qty.</i>	<i>Description</i>
1	131-3469	1	Lever-Shift
2	87-3650	1	Pin-Shift
3	87-3540	2	Link-Shift
4	87-2520	1	Tube-Pivot
5	87-2900	1	Spring-Compression
6	87-8640	1	Washer-Flat
7	322-12	1	Screw-HH
8	87-3530	1	Button-Shifter
9	87-3660	1	Spring-Compression
10	3290-507	1	Pin-Dowel
11	87-3520	1	Clevis
12	32121-48	1	Pin-Spring
13	87-6040	1	Bracket-Shifter
14	3290-456	2	Washer-Belleville
15	104-8300	1	Nut-HF, NI



Bumper, Hood and Seat Base Assembly

Ref.	Part Number	Qty.	Description
1	112-3185	1	Bumper
2	139-3382	1	Hood ASM
2:2	117-4950	1	Decal
4	106-7886	1	Control Plate ASM
4:2	106-2377	1	Decal-Console
5	138-9260	2	Headlight ASM
6	114-8341	6	Clip-Speed
6X6			Clip-Speed
6X28			Headlight ASM
7	3256-55	8	Washer-Flat
8	3234-4	4	Screw-HHF
9	104-7201	4	Nut-HF, NI
11	98-1375	6	Screw-HWH
12	106-7984	1	Lever-Detent
13	3274-55	1	Screw-HSBH

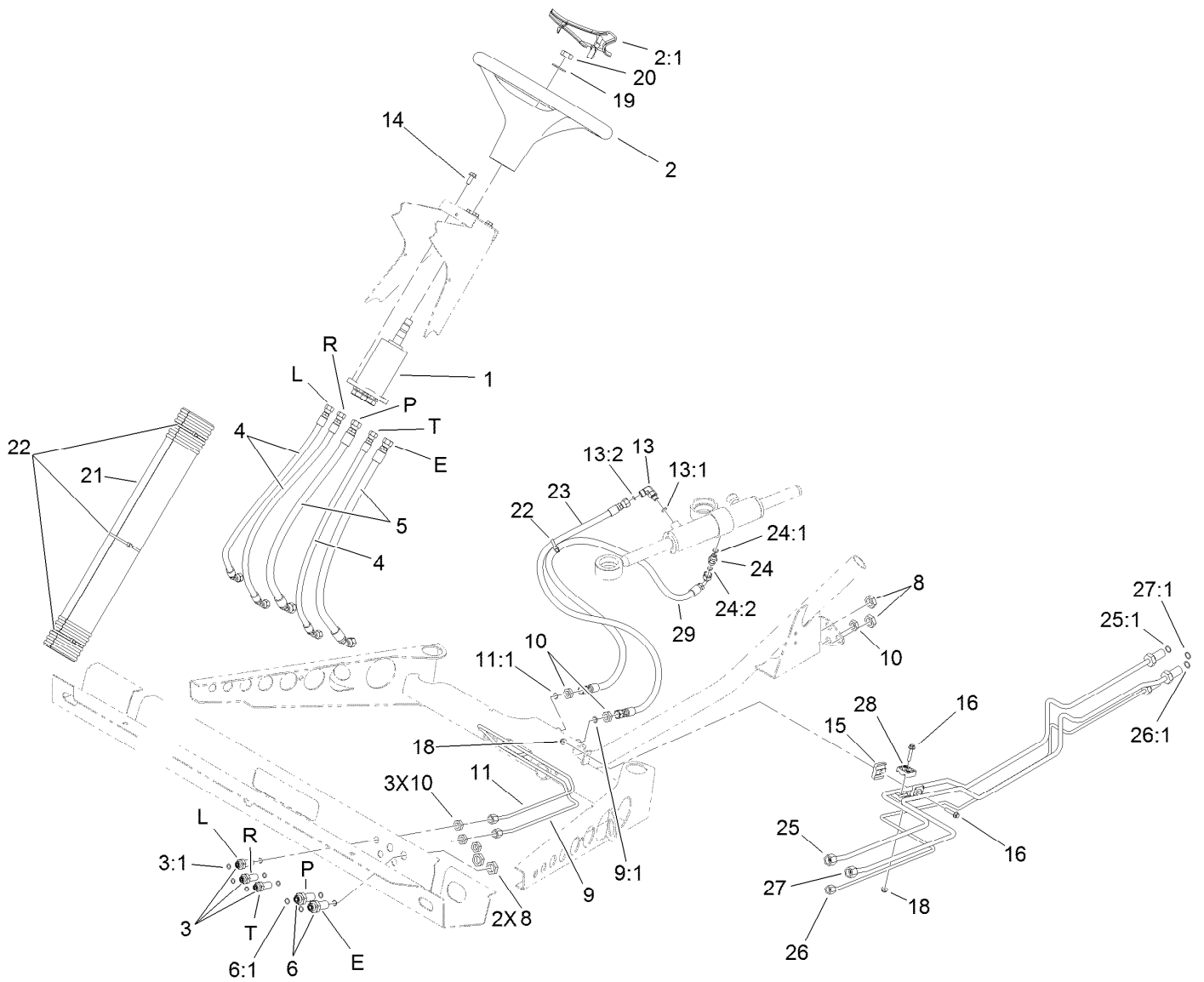
Ref.	Part Number	Qty.	Description
14	82-4240	1	Spacer-Bearing
15	94-8196	1	Washer-Nylon
16	3290-221	1	Washer-Spring
17	3256-23	1	Washer-Plain
18	104-8300	1	Nut-HF, NI
22	133-0566	1	Seatbase ASM
22:2	114-8407	1	Fender-Front, RH
22:3	114-8408	1	Fender-Front, LH
22:4	117-5036	14	Screw-Plastic, HWH
23	106-2378	2	Mudflap
24	117-8063	1	Boot-Shift
28	112-6957	6	Washer-Hardened



Dash Assembly

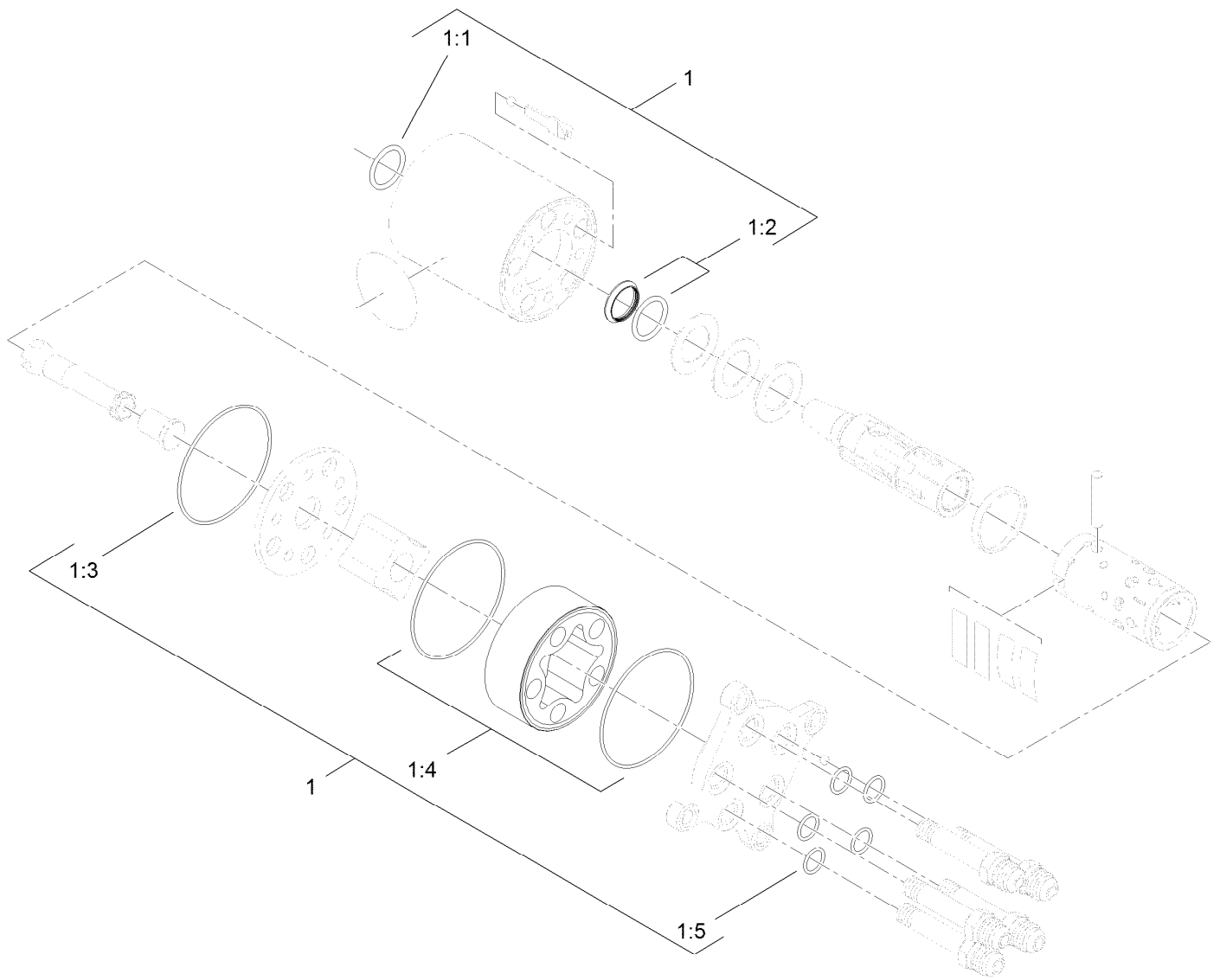
Ref.	Part Number	Qty.	Description	Ref.	Part Number	Qty.	Description
1	104-7201	2	Nut-HF, NI	8	33103-012	2	Screw-HHF
2	140-4610	1	Dash ASM	9	3234-5	3	Screw-HHF
2:2	140-4604	1	Decal-Control Panel, HD	10	106-5269	1	Ignition Switch ASM
2:3	121-9776	1	Decal-Danger, Vehicle (CE)	10:2	108-8660	1	Nut-Mounting
2:4	115-2282	1	Decal-Warning, Dash	10:3	106-5270	1	Ignition Key Set
2:5	106-2353	1	Decal-Powerpoint	10:4	108-8659	1	Washer-Backup
2:6	106-2355	1	Decal-Switch, Supervisor	11	99-7411	1	Point-Power
3	117-4948	1	Handle-Grab	12	99-7416	1	Cap
4	103995	2	Washer	14	106-7943	1	Cable-Control, Choke
5	110-2580	1	Switch-Key, Supervisor	15	112-3324	1	Switch-Horn
5:1		1	Switch-Key ●	16	112-3313	1	Nut-Weatherproof
5:2	108-8660	1	Nut-Mounting	17	139-4528	1	Cluster-Instrument
5:3	110-5221	1	Set-Key, Supervisor	19	104-8300	3	Nut-HF, NI
5:4	108-8659	1	Washer-Backup	23	140-4556-0P	1	Retainer-Display
6	95-8999	1	Switch	24	321-2	2	Screw-HH
7	99-7420	3	Plug-Hole				

● Not serviced separately



Steering Hydraulic Assembly

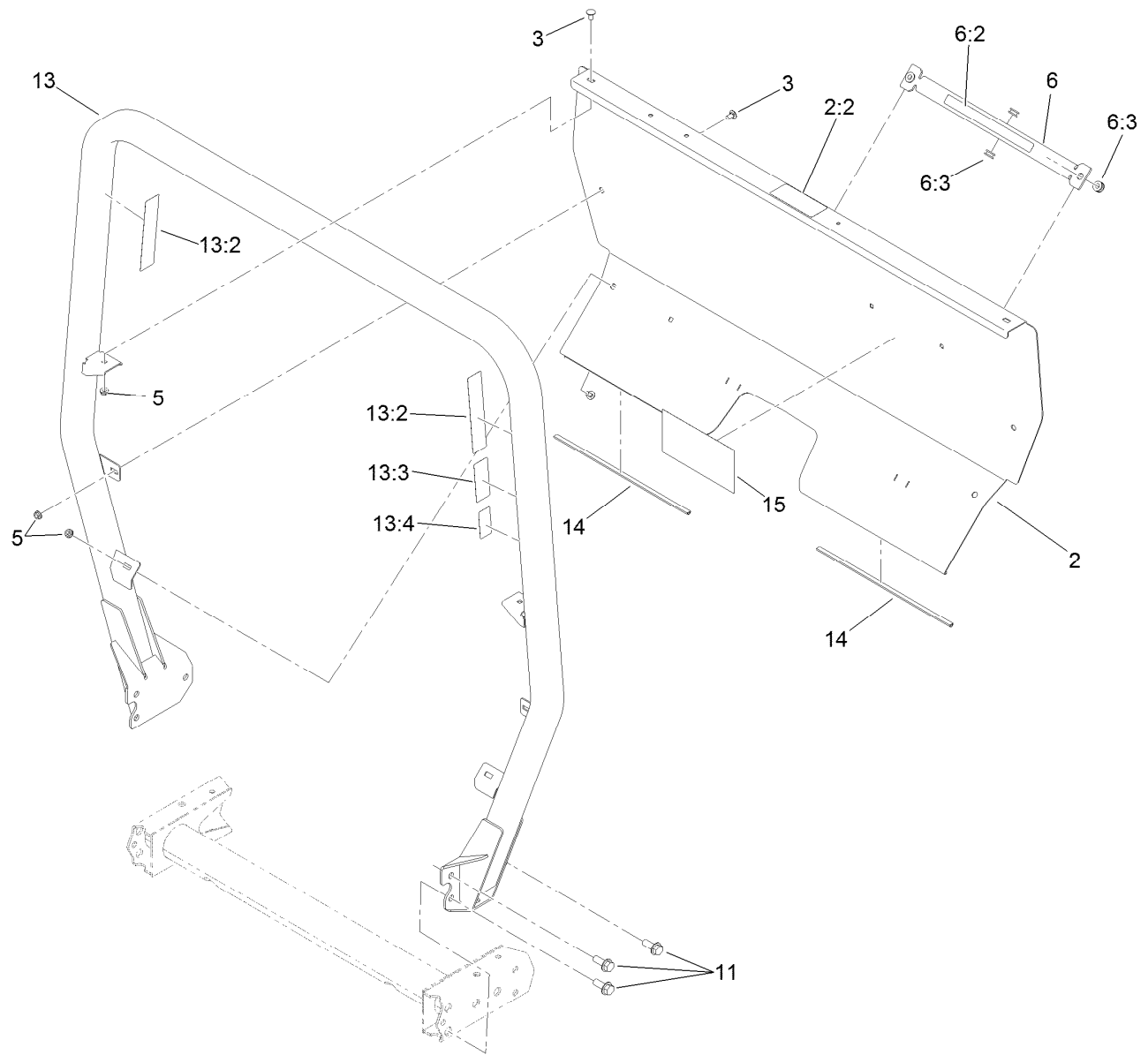
Ref.	Part Number	Qty.	Description	Ref.	Part Number	Qty.	Description
1	120-4813	1	Pump-Steering	15	106-7839	2	Clamp-Tube
2	98-1471	1	Wheel-Steering	16	3234-21	2	Screw-HHF
2:1	98-1468	1	Cover-Wheel, Steering	18	104-7201	2	Nut-HF, NI
3	94-1444	3	Union-Bulkhead	19	3256-27	1	Washer-Flat
3:1	237-21	2	O-Ring	20	3296-33	1	Nut-Lock, NI
4	106-7974	3	Hose-HYD	21	106-6713	1	Cover-Lines, Steering
5	106-7975	2	Hose-HYD	22	3290-379	4	Tie-Cable
6	340-71	2	Fitting-Straight, Bulkhead	23	108-6505	1	Hose-HYD
6:1	237-22	2	O-Ring	24	340-92	1	Fitting-Straight
8	340-70	4	Nut-Lock	24:1	237-78	1	O-Ring
9	106-7804	1	Tube-HYD	24:2	237-21	1	O-Ring
9:1	237-21	1	O-Ring	25	115-7701	1	Tube-HYD
10	3219-10	6	Nut-Hex	25:1	237-22	1	O-Ring
11	106-7806	1	Tube-HYD	26	115-7702	1	Tube-HYD
11:1	237-21	1	O-Ring	26:1	237-22	1	O-Ring
13	340-132	1	Fitting-Elbow, 90 DEG	27	115-7703	1	Tube-HYD
13:1	237-78	1	O-Ring	27:1	237-21	1	O-Ring
13:2	237-21	1	O-Ring	28	56-7973	2	Clamp-Tube
14	98-7977	4	Screw-HHF	29	117-4861	1	Hose-HYD



Steering Valve Assembly No. 120-4813

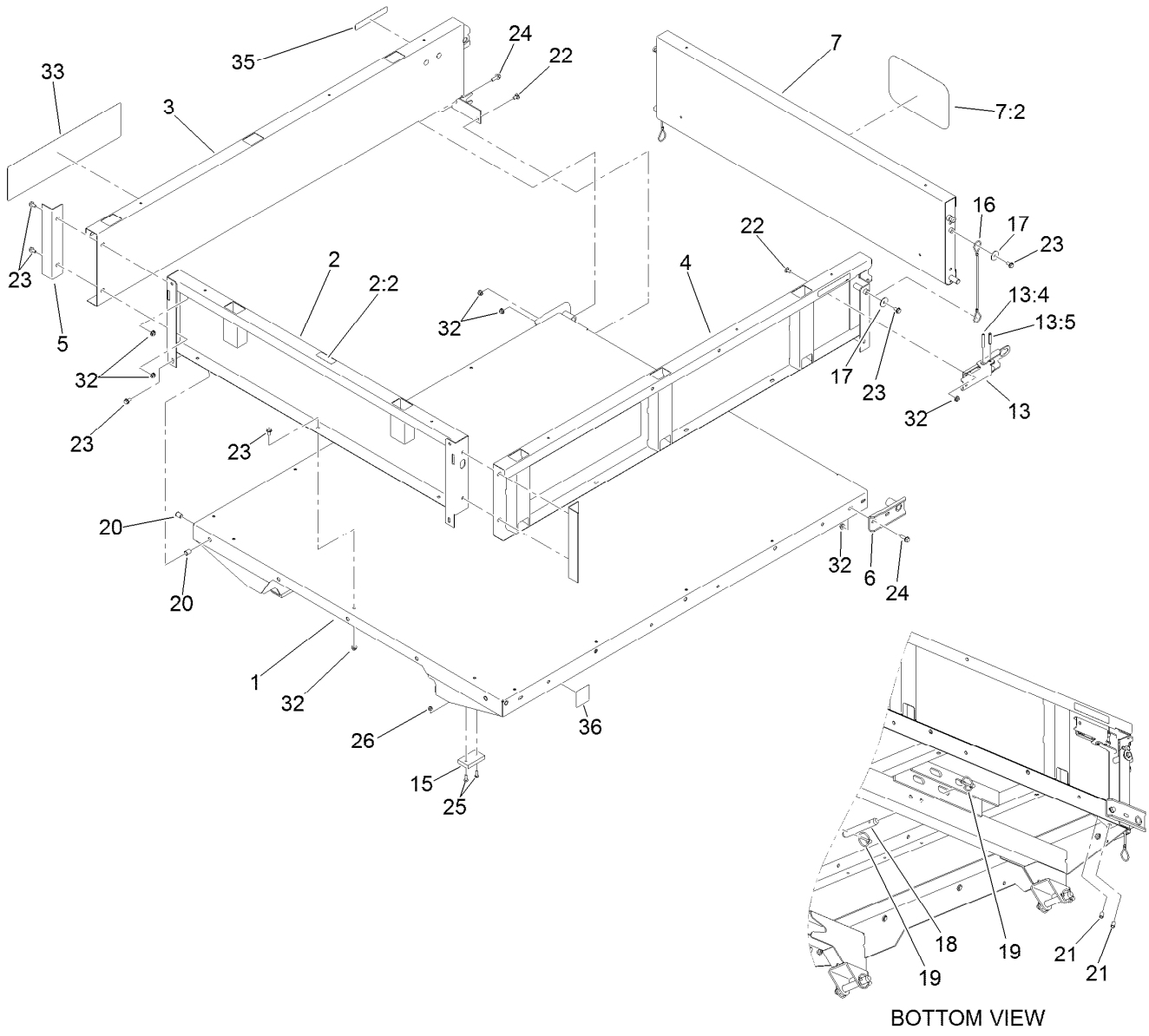
<i>Ref.</i>	<i>Part Number</i>	<i>Qty.</i>	<i>Description</i>
1	106-6716	1	Seal Kit
1:1		1	Ring-Seal, Dust ●
1:2		1	Seal-Shaft ●
1:3		1	O-Ring ●
1:4		2	O-Ring ●
1:5		5	O-Ring ●

● Not serviced separately



Roll-Over Protection System Assembly

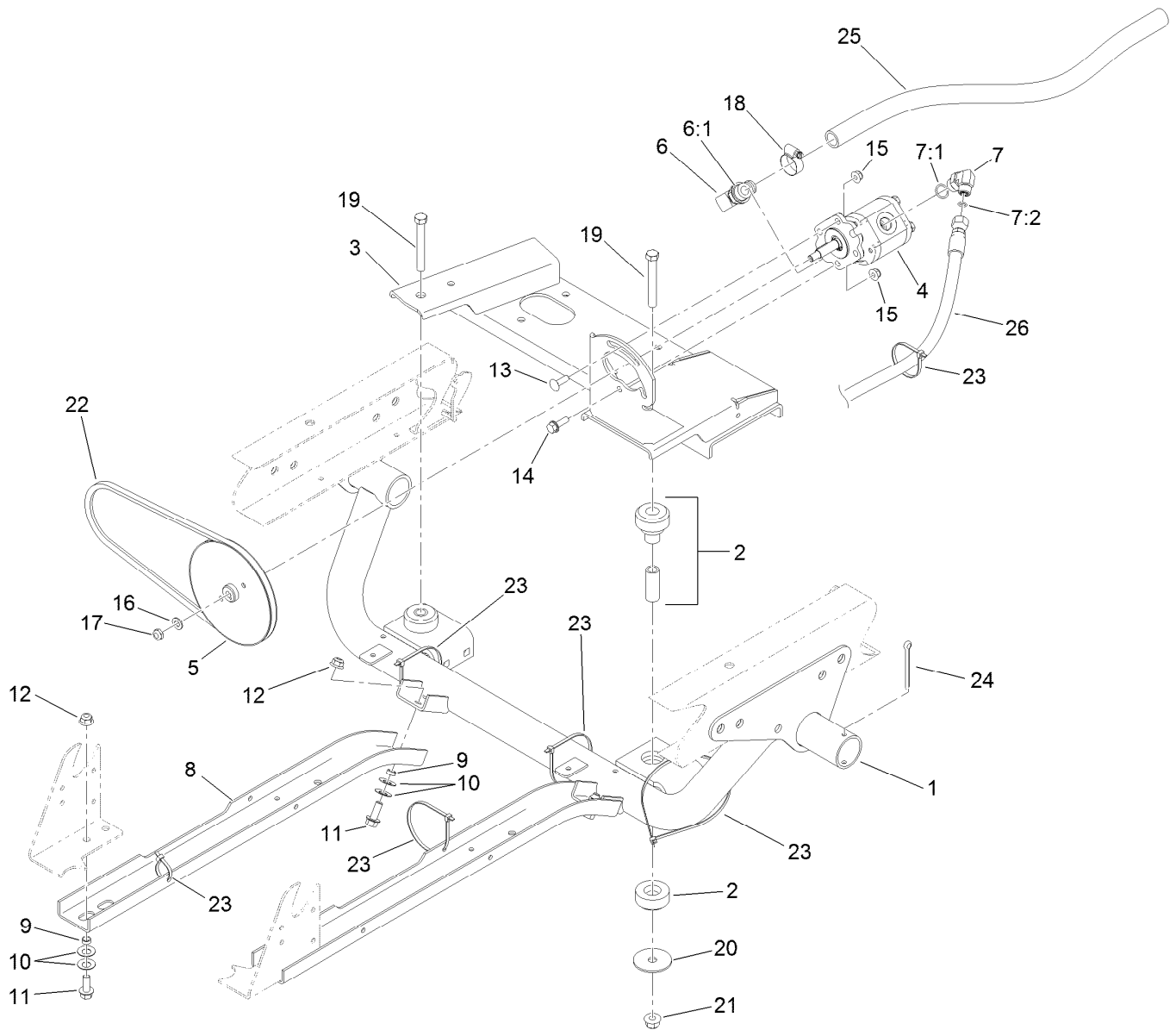
<i>Ref.</i>	<i>Part Number</i>	<i>Qty.</i>	<i>Description</i>
2	115-2213	1	ROPS Cover ASM
2:2	105-4215	1	Decal-Caution
3	3230-18	6	Screw-CARR
5	32128-20	6	Nut-HF
6	105-7960	1	Bed Support ASM
6:2	93-9852	1	Decal-Warning
6:3	92-5972	4	Grommet-Rubber
11	3234-38	6	Screw-HHF
13	115-7910	1	ROPS ASM
13:2	106-7767	2	Decal-ROPS
13:3	93-9850	1	Decal-ROPS, CE
13:4	117-4969	1	Decal-ROPS, ISO
14	127-7382	2	Seal-ROPS
15	115-7814	1	Decal-Reference, Quick



Full Bed and Side Panel Assembly

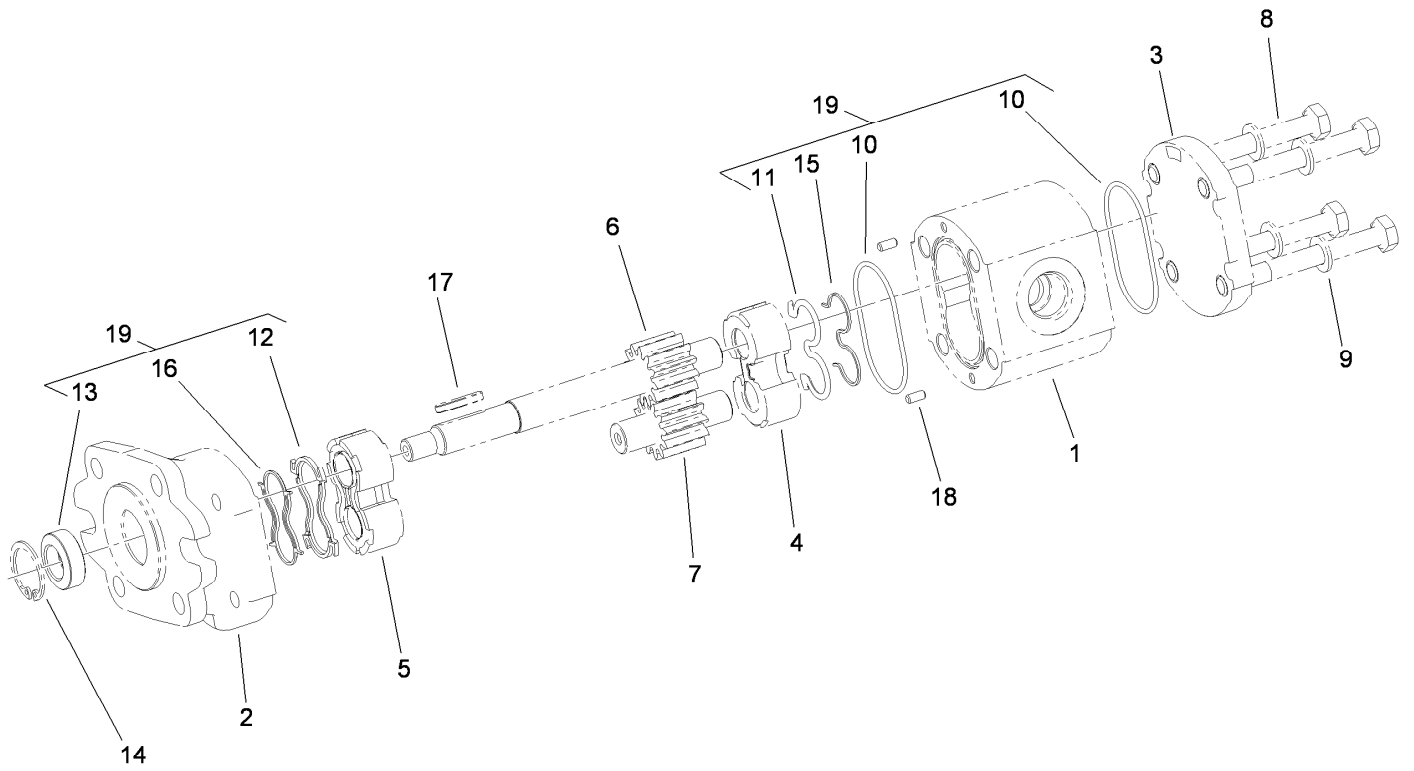
<i>Ref.</i>	<i>Part Number</i>	<i>Qty.</i>	<i>Description</i>
1	138-5675	1	Flatbed ASM
2	133-0645	1	Front Panel ASM
2:2	115-7739	1	Decal-No Riders
3	133-0617	1	Panel-Side, RH
4	133-0616	1	Panel-Side, LH
5	92-1320-03	2	Angle-Side
6	92-1265-03	2	Bracket-Pivot
7	133-0644	1	Tailgate
7:2	105-4222	1	Decal
13	140-4795	2	Latch ASM
13:4	32121-78	1	Pin-Roll
13:5	32121-25	1	Pin-Roll
15	93-9719	2	Block-Wear
16	93-9595	2	Lanyard

<i>Ref.</i>	<i>Part Number</i>	<i>Qty.</i>	<i>Description</i>
17	3256-57	4	Washer-Flat
18	92-1233	4	Pin-Clevis
19	92-1298	8	Pin-Lynch
20	32148-7	4	Nut-Clinch
21	32148-6	4	Nut-Clinch
22	3230-18	6	Screw-CARR
23	3234-7	21	Screw-HHF
24	3234-29	6	Screw-HHF
25	3250-45	4	Screw-SPH
26	3296-42	4	Nut-Lock, NI
32	32128-20	27	Nut-HF
33	115-7913	2	Decal
35	93-9868	2	Decal-Caution
36	93-9899	2	Decal-Warning



Engine Sub Frame Assembly

Ref.	Part Number	Qty.	Description	Ref.	Part Number	Qty.	Description
1	115-2257-03	1	Engine Support ASM	13	3230-22	1	Screw-CARR
2	106-7865	2	Mount-Engine	14	3234-29	1	Screw-HHF
3	115-2352-0P	1	Engine Mount ASM [primed]	15	104-8300	2	Nut-HF, NI
4	112-2983	1	Pump-Gear, Hydraulic	16	3256-45	1	Washer-Flat
5	87-7740	1	Pulley	17	3296-5	1	Nut-Hex
6	87-8170	1	Fitting-90	18	2412-129	1	Clamp-Hose
6:1	237-80	1	O-Ring	19	324-13	2	Screw-HH
7	340-18	1	Fitting-HYD, 90 DEG	20	87-5100	2	Washer-Snubbing
7:1	237-79	1	O-Ring	21	114-8417	2	Nut-HF, NI
7:2	237-22	1	O-Ring	22	87-8370	1	V-Belt
8	87-4730-03	2	Guard-Belly	23	3290-379	6	Tie-Cable
9	76-9100	6	Spacer	24	3272-37	2	Pin-Cotter
10	3290-413	12	Washer-Belleville	25	87-8030	1	Hose-Suction
11	3234-11	6	Screw-HHF	26	121-6283	1	Hose-HYD
12	104-8301	6	Nut-HF, NI				

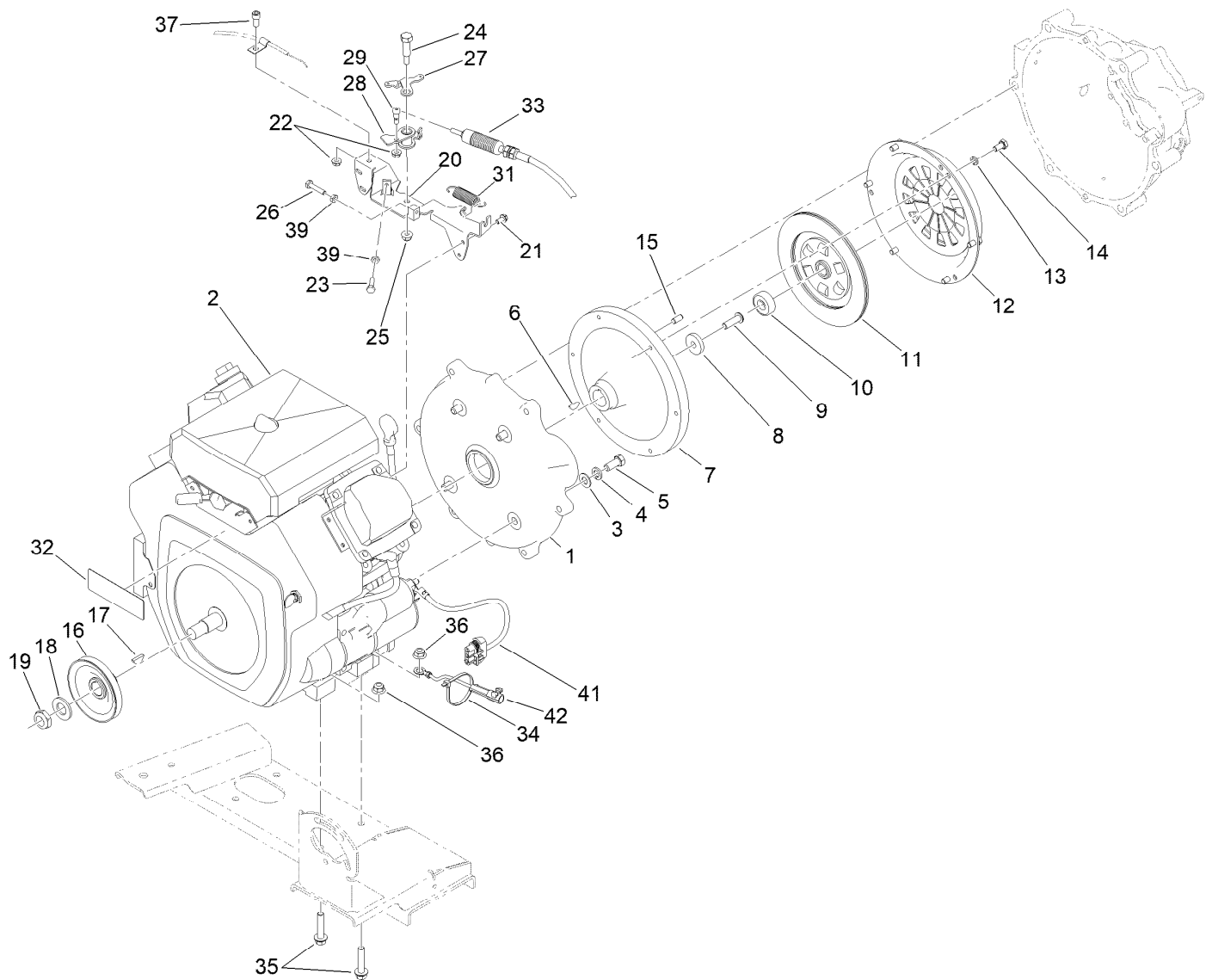


Hydraulic Gear Pump Assembly No. 112-2983

Ref.	Part Number	Qty.	Description
1		1	Body ●
2		1	Cover-Front ●
3		1	Cover-Rear ●
4		1	Plate-Thrust ●
5		1	Plate-Thrust, Upper ●
6		1	Shaft-Drive ●
7		1	Gear-Driven ●
8		4	Screw-HH ●
9		4	Washer ●
10		2	O-Ring Seal ●

Ref.	Part Number	Qty.	Description
11		1	Seal ●
12		1	Seal-Upper ●
13		1	Seal-Shaft ●
14		1	Ring-Clip ●
15		1	Seal-Extrusion, Anti ●
16		1	Seal-Extrusion, Anti ●
17	115-7856	1	Key-Square
18		1	Pin-Dowel ●
19	112-0199	1	Seal Kit

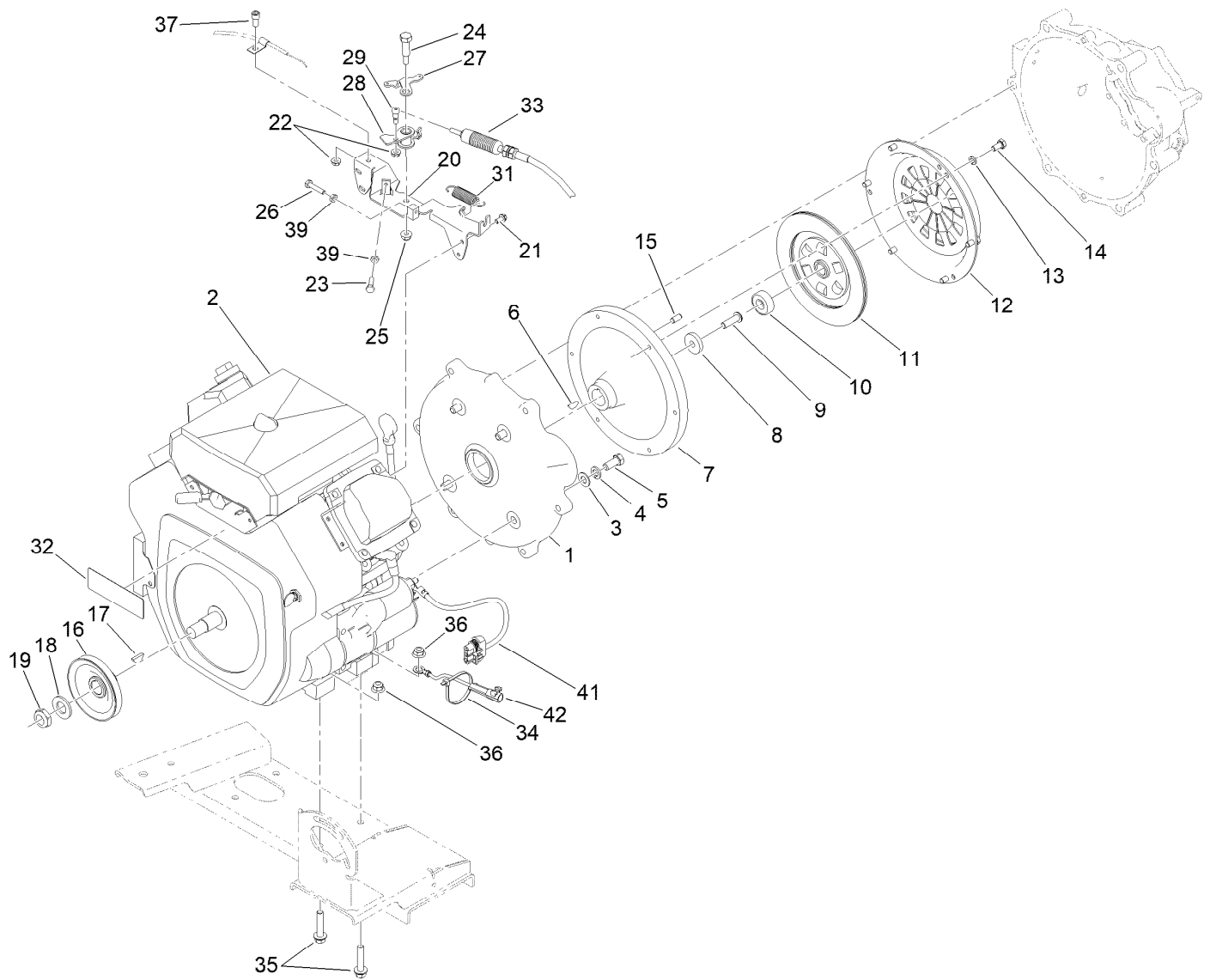
● Not serviced separately



Engine Assembly

Ref.	Part Number	Qty.	Description	Ref.	Part Number	Qty.	Description
1	107-7991	1	Adapter-Clutch	18	3256-28	1	Washer-Flat
2	115-7819	1	Engine-Kohler, Ch680-3025	19	3296-15	1	Nut-Lock, NI
2:1	108-3847	1	Filter-Oil ●	20	121-9659-0P	1	Throttle Bracket ASM, [primed]
3	3256-25	4	Washer-Flat	21	32144-4	4	Screw-HWH
4	3253-6	4	Washer-Lock	22	32128-33	2	Nut-HF
5	324-4	4	Screw-HH	23	329-6	1	Screw-HH
6	3257-5	1	Key-Woodruff	24	7-0030	1	Screw-Shoulder, HH
7	120-4893	1	Flywheel	25	104-8300	1	Nut-HF, NI
8	87-6080	1	Washer	26	329-7	1	Screw-HH
9	3274-63	1	Screw-HSBH	27	87-7790	1	Lever-Choke
10	87-6460	1	Bearing-Ball (W/Seal)	28	87-7800	1	Lever-Throttle
11	87-4700	1	Disc-Clutch	29	119-4881	1	Bolt-Shoulder
12	87-4690	1	Cover-Clutch	31	67-1450	1	Spring-Idler
13	3253-4	6	Washer-Lock	32	80-8040	1	Decal-Warning
14	33114-016	6	Screw-HH	33	120-4980	1	Cable-Throttle
15	42-7160	3	Pin	34	3290-379	1	Tie-Cable
16	87-7710	1	Pulley ASM	35	3234-19	4	Screw-HHF
17	3257-7	1	Key-Woodruff				

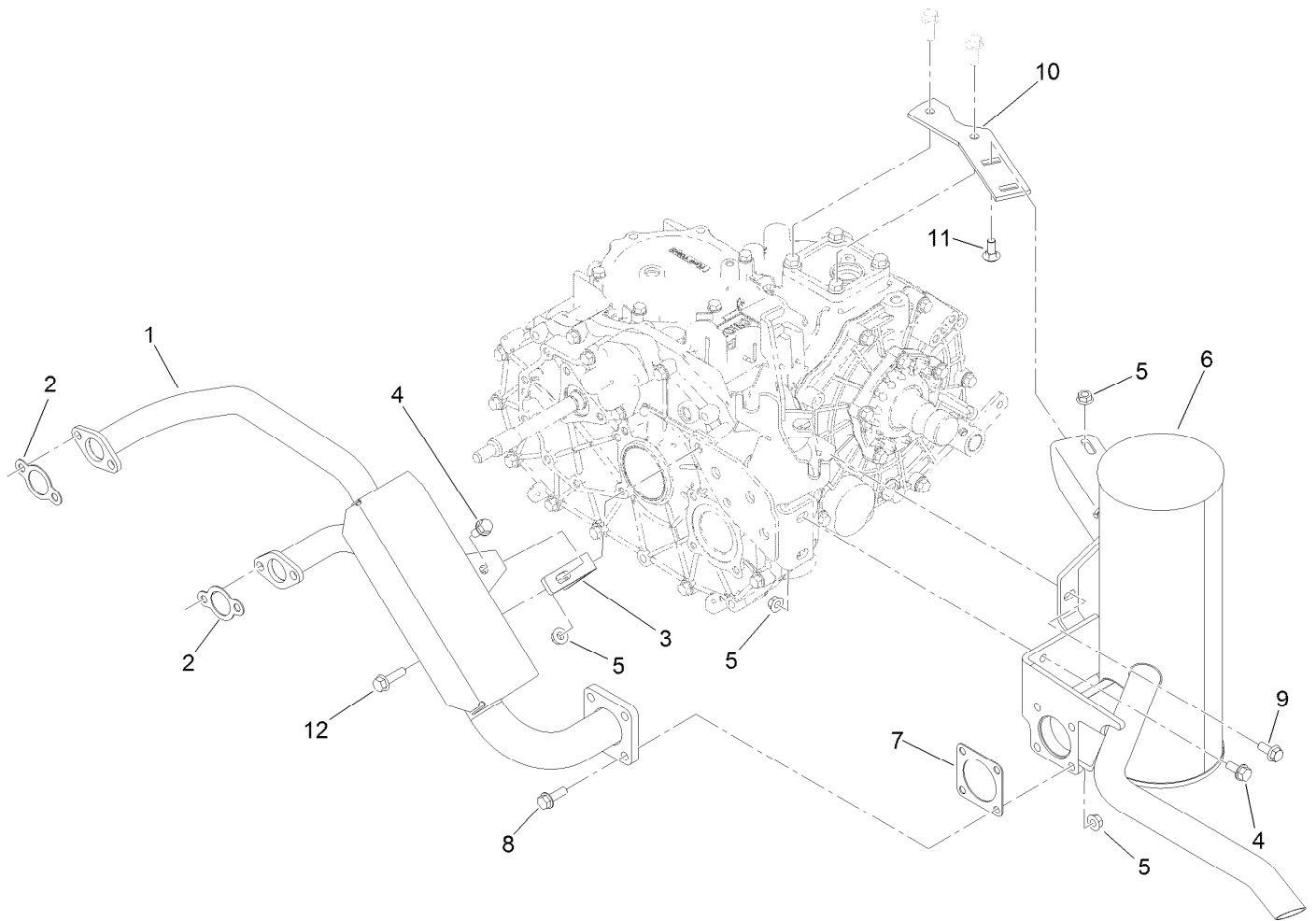
● Not illustrated



Engine Assembly (continued)

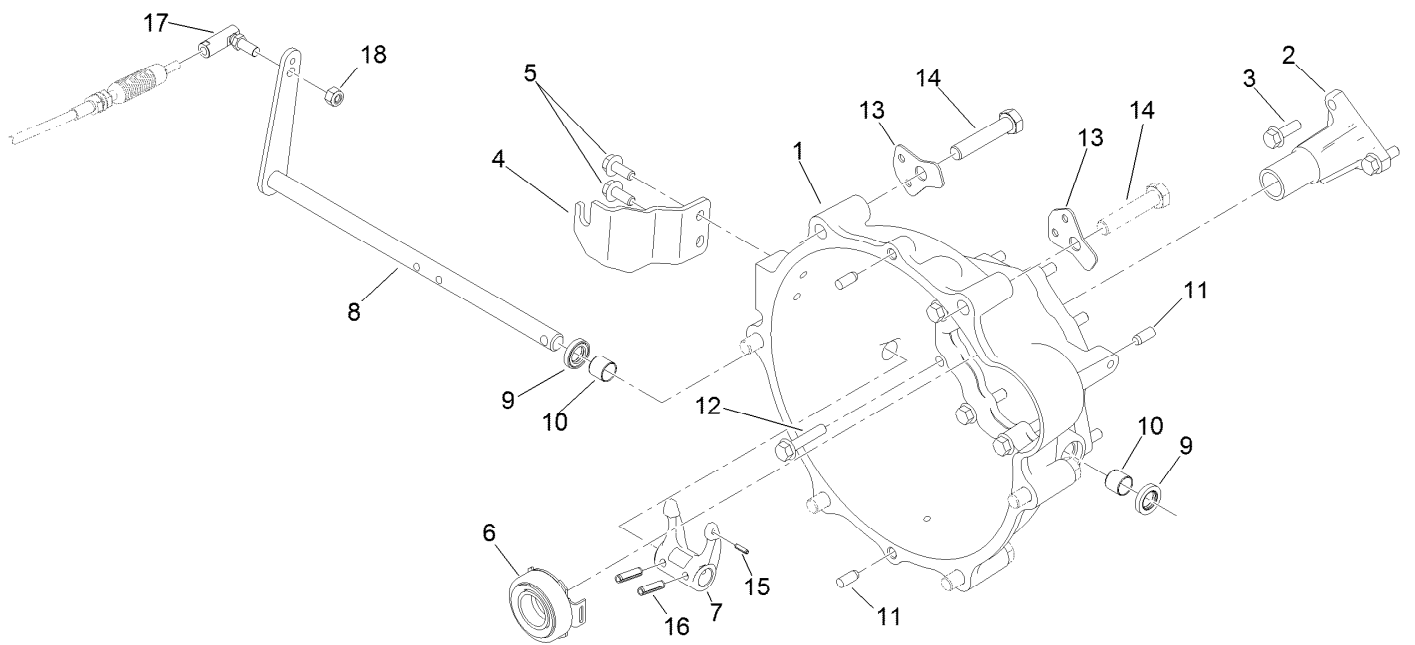
<i>Ref.</i>	<i>Part Number</i>	<i>Qty.</i>	<i>Description</i>	<i>Ref.</i>	<i>Part Number</i>	<i>Qty.</i>	<i>Description</i>
36	104-8301	4	Nut-HF, NI	41	99-3441	1	Harness-Wire, Fusible Link
37	3274-15	1	Screw-HSH	42	117-5612	1	Harness-Wire, Ground
39	3220-1	2	Nut-Jam				

● Not illustrated



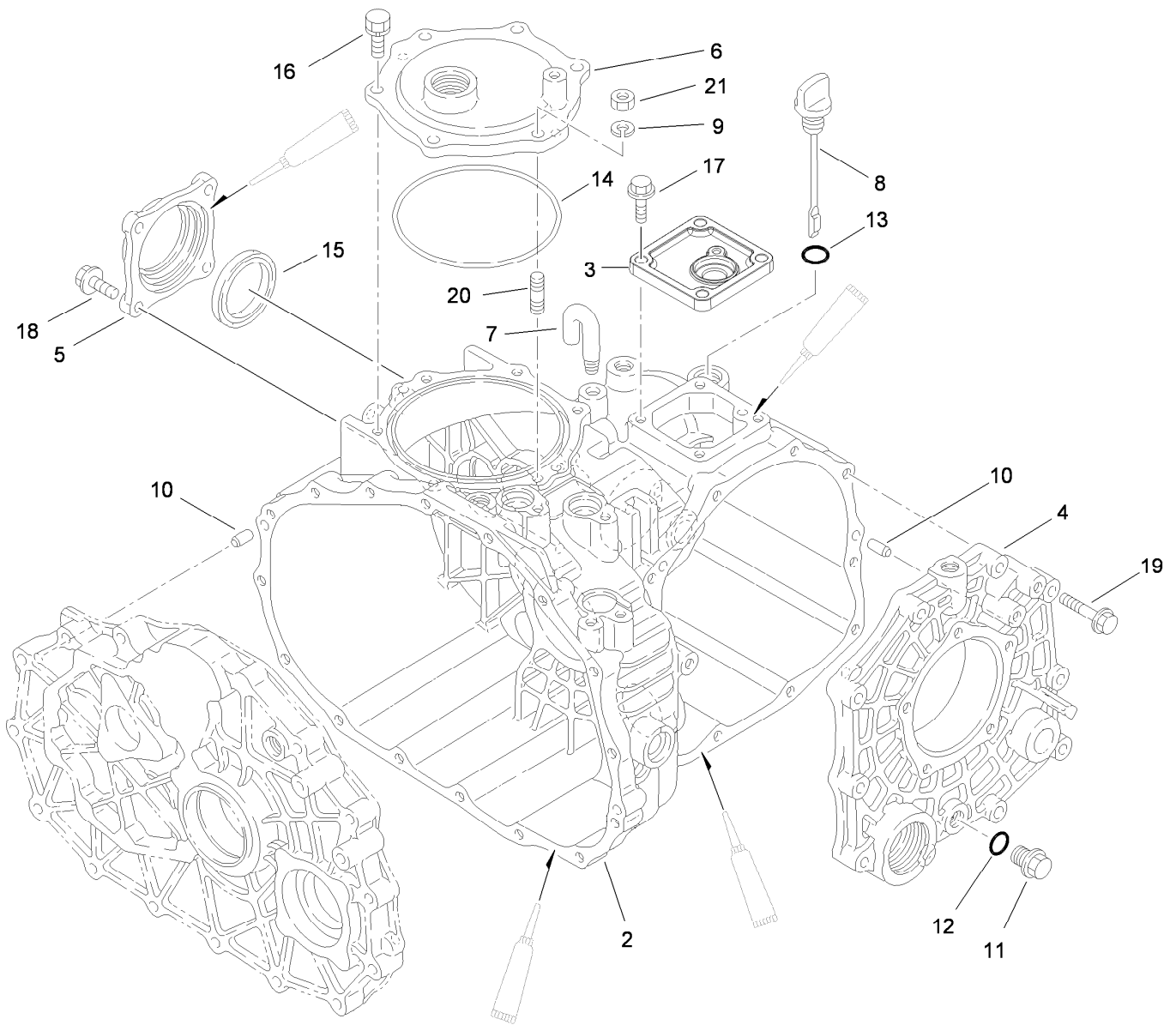
Muffler Assembly

<i>Ref.</i>	<i>Part Number</i>	<i>Qty.</i>	<i>Description</i>
1	106-7855	1	Manifold-Cooled, Air
2	110-6697	2	Gasket-Exhaust
3	106-7880	1	Mount-Angle
4	3234-5	3	Screw-HHF
5	32128-20	9	Nut-HF
6	133-0613	1	Muffler
7	105-4209	1	Gasket-Muffler
8	3234-17	4	Screw-HHF
9	98-7977	1	Screw-HHF
10	105-9472	1	Plate-Mount, Muffler
11	3230-1	2	Bolt-CARR
12	33104-030	1	Screw-HHF



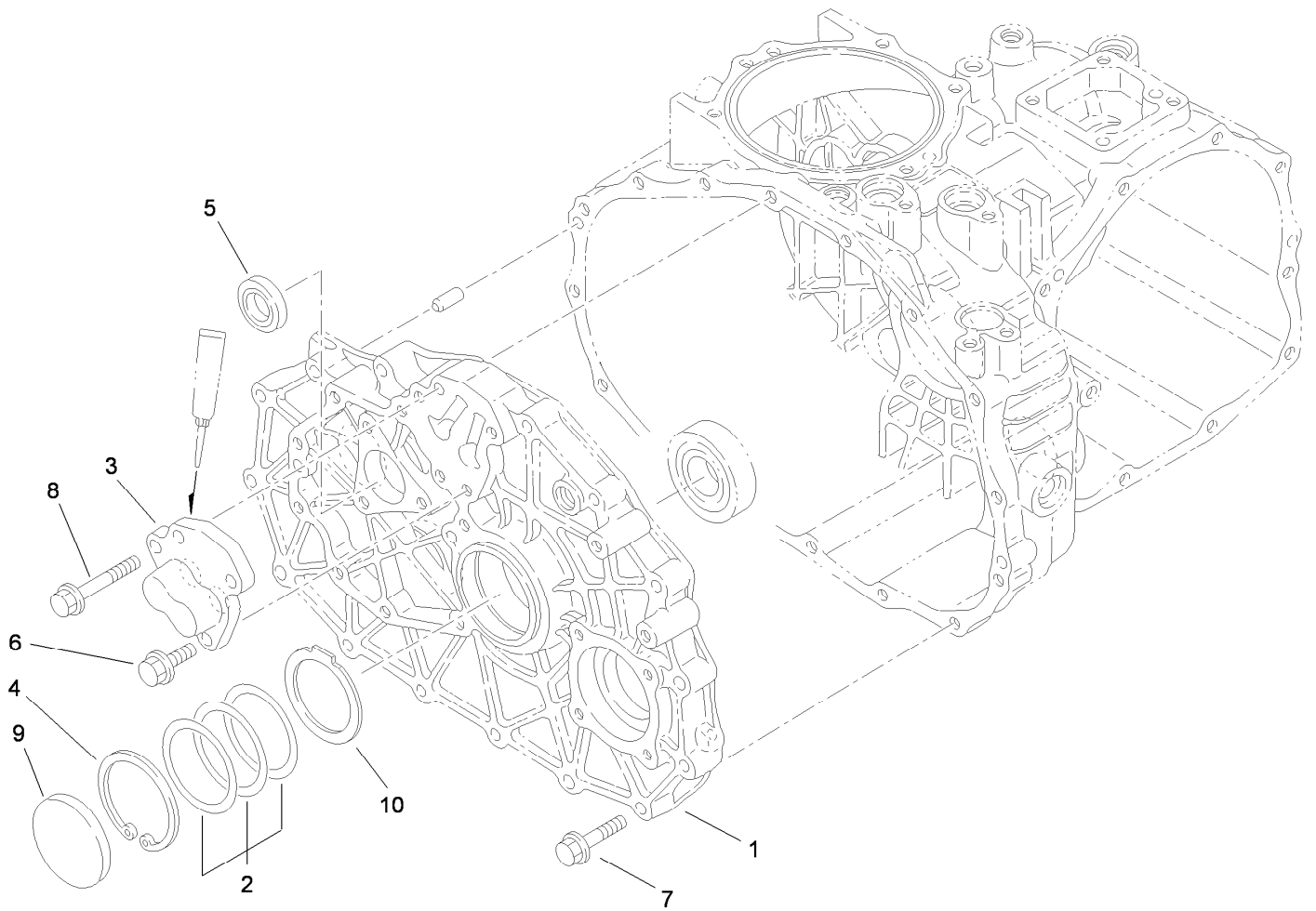
Clutch Linkage Assembly

<i>Ref.</i>	<i>Part Number</i>	<i>Qty.</i>	<i>Description</i>	<i>Ref.</i>	<i>Part Number</i>	<i>Qty.</i>	<i>Description</i>
1	104-9249	1	Housing-Bell	10	87-3770	2	Bushing-Housing, Bell
2	120-4886	1	Guide-Release	11	87-1910	4	Pin-Dowel
3	33104-025	3	Screw-HHF	12	33104-040	9	Screw-HHF
4	115-2313	1	Bracket-Cable, Clutch	13	115-2247	2	Bracket-Harness
5	98-7977	2	Screw-HHF	14	107-7983	6	Screw-HH
6	110-2538	1	Bearing-Release, Clutch	15	32121-7	1	Pin-Roll, Slotted
7	87-5300	1	Fork-Clutch	16	32121-24	2	Pin-Spring
8	115-2311	1	Lever-Clutch	17	2411-33	1	Balljoint-RH (W/Grommet)
9	87-1920	2	Seal-Oil	18	3296-4	1	Nut-Lock



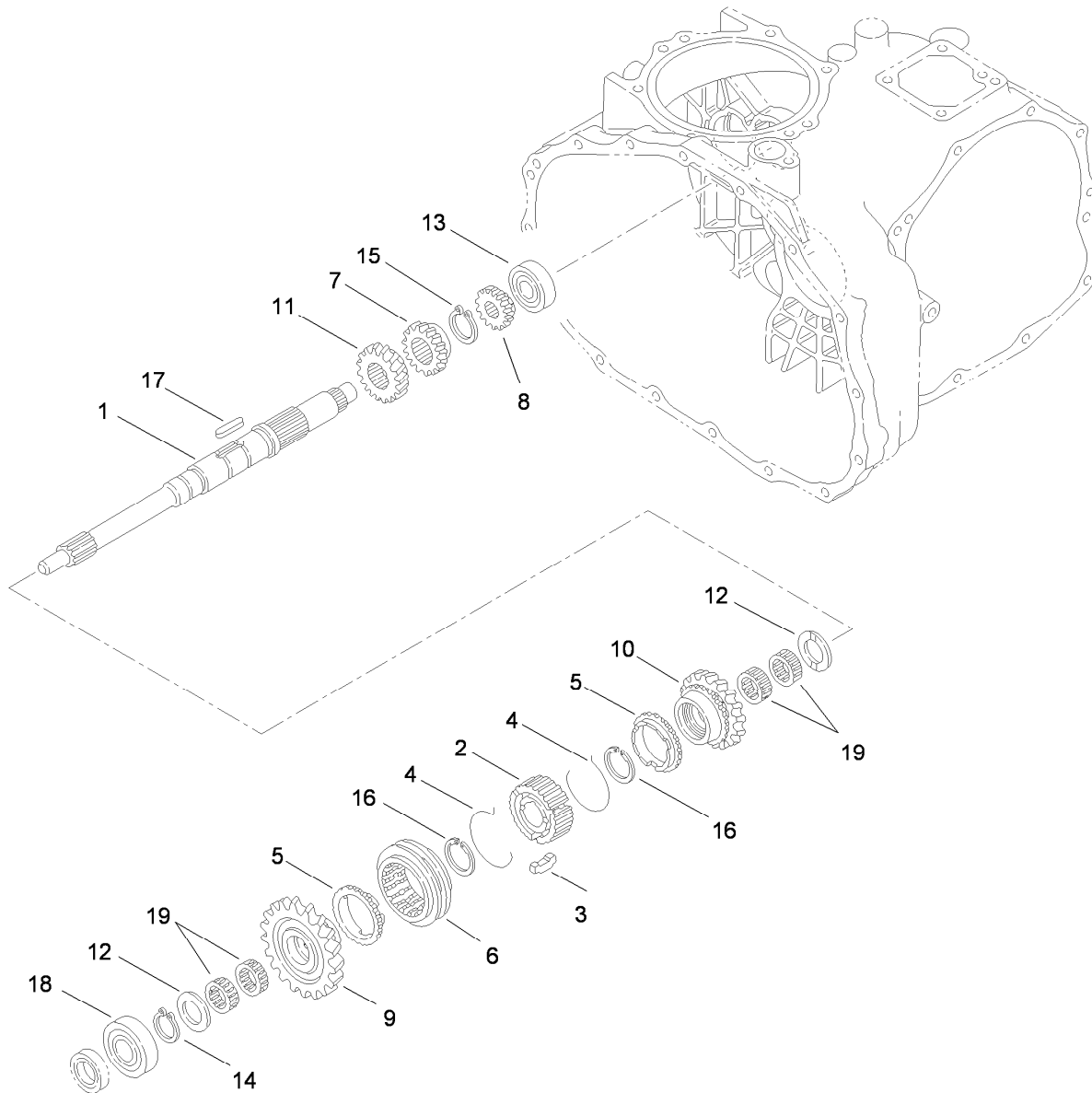
Case Assembly Transaxle Assembly No. 115-7783

<i>Ref.</i>	<i>Part Number</i>	<i>Qty.</i>	<i>Description</i>	<i>Ref.</i>	<i>Part Number</i>	<i>Qty.</i>	<i>Description</i>
2	92-0651	1	Case-Transmission	12	92-0787	1	O-Ring
3	92-0810	1	Cover-Upper, Sensor	13	92-0788	1	O-Ring
4	92-0653	1	Cover-Side	14	92-0790	1	O-Ring
5	92-0655	1	Cover-Seal, Axle	15	92-0793	1	Seal-Oil
6	92-0656	1	Cover-Upper, PTO	16	92-0796	5	Bolt
7	92-0743	1	Breather-Air	17	33104-025	4	Screw-HHF
8	92-0662	1	Cap-Oil	18	33104-025	4	Screw-HHF
9	92-0762	1	Washer-Spring	19	33104-040	10	Screw-HHF
10	92-0765	4	Pin-Parallel	20	92-0805	1	Bolt 8X20
11	92-0773	1	Plug-Drain	21	68-9400	1	Nut-Flange



Center Plate Assembly Transaxle Assembly No. 115-7783

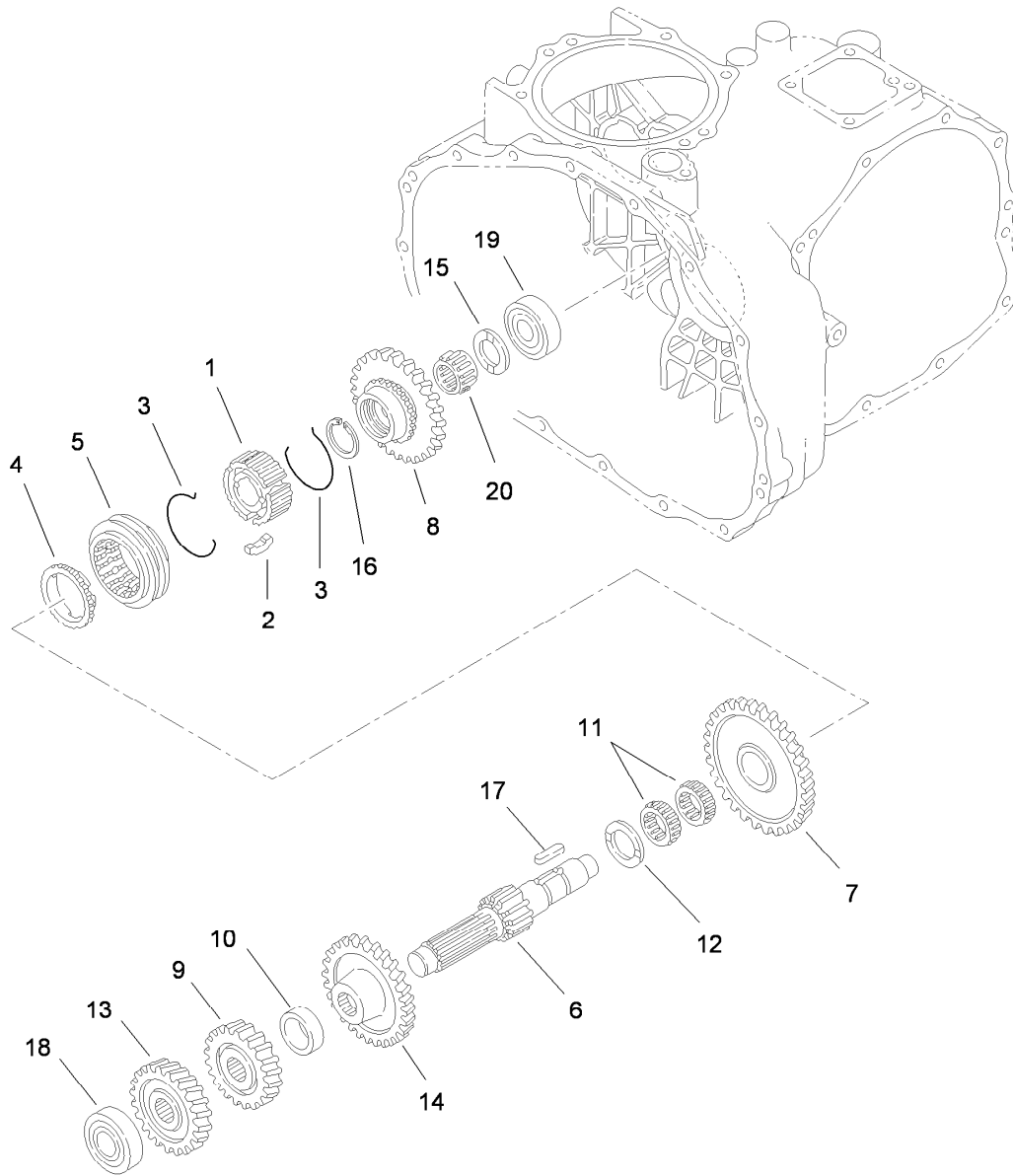
<i>Ref.</i>	<i>Part Number</i>	<i>Qty.</i>	<i>Description</i>
1	100-4461	1	Plate-Center
2	100-4460	1	Shim-Set
3	92-0706	1	Shaft-Fork
4	92-0759	1	Ring-Snap
5	92-0791	1	Seal-Oil
6	33104-025	3	Screw-HHF
7	33104-040	15	Screw-HHF
8	33104-050	1	Screw-HHF
9	92-0807	1	Cap-Sealing
10	100-4465	1	Shim (W/Tab)



Main Shaft Assembly Transaxle Assembly No. 115-7783

<i>Ref.</i>	<i>Part Number</i>	<i>Qty.</i>	<i>Description</i>
1	92-0663	1	Shaft-Main
2	92-0664	1	Hub-Synchro
3	92-0665	3	Key-Synchro
4	92-0666	2	Spring-Synchro
5	92-0667	2	Ring-Synchro
6	92-0668	1	Shifter-Synchro
7	92-0672	1	Gear-Main, 18 Tooth
8	92-0673	1	Gear-Main, 14 Tooth
9	110-2521	1	Gear-Main, 27 Tooth
10	110-2522	1	Gear- Main, 24 Tooth

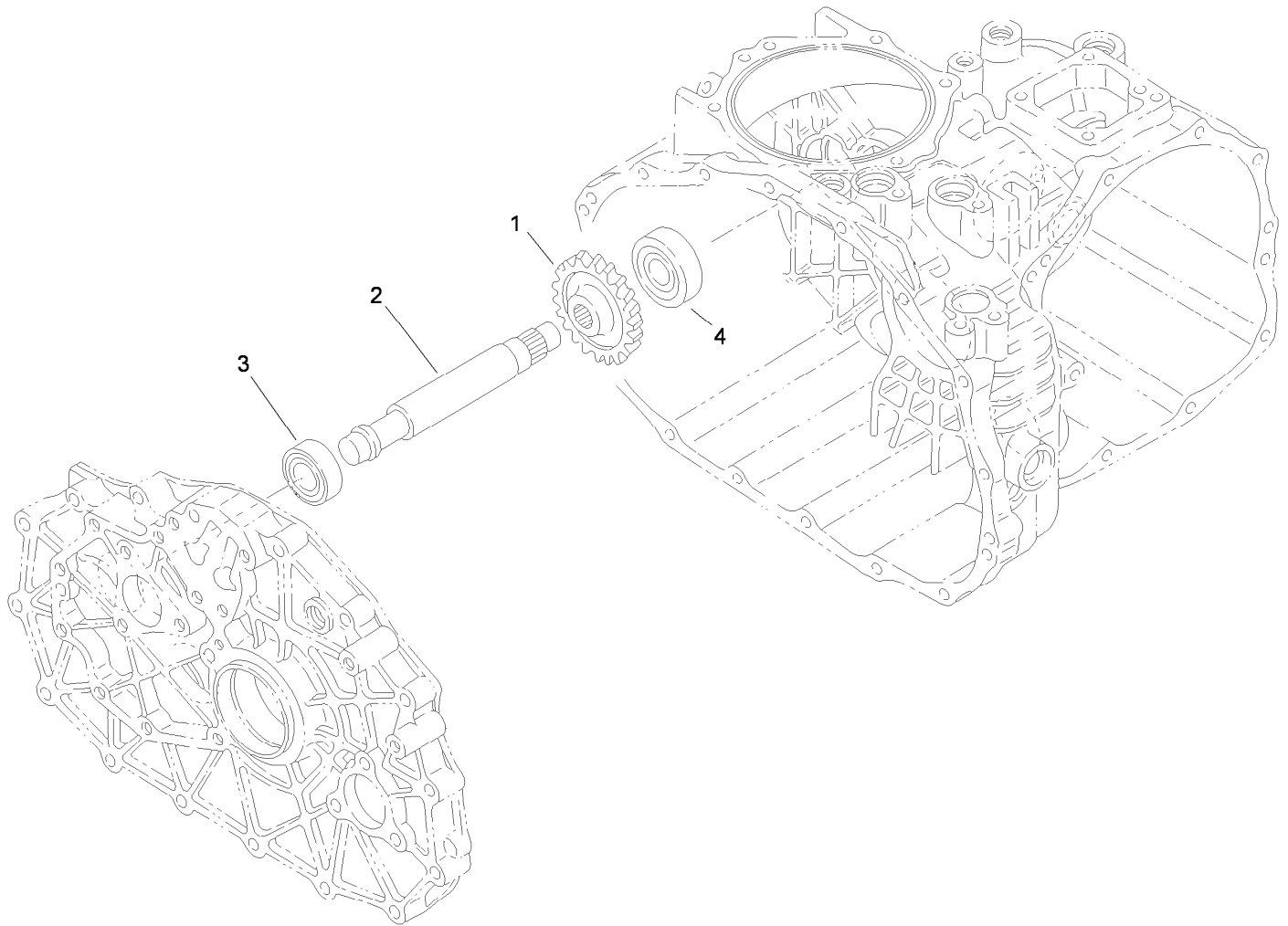
<i>Ref.</i>	<i>Part Number</i>	<i>Qty.</i>	<i>Description</i>
11	92-0687	1	Gear-Main, 16 Tooth
12	92-0740	2	Washer-Thrust
13	92-0650	1	Bearing
14	92-0753	1	Ring-Snap
15	92-0754	1	Ring-Snap
16	92-0763	2	Ring-Snap
17	92-0772	1	Key
18	251-8	1	Bearing-Ball
19	92-0781	4	Bearing-Needle



Reduction Shaft Assembly Transaxle Assembly No. 115-7783

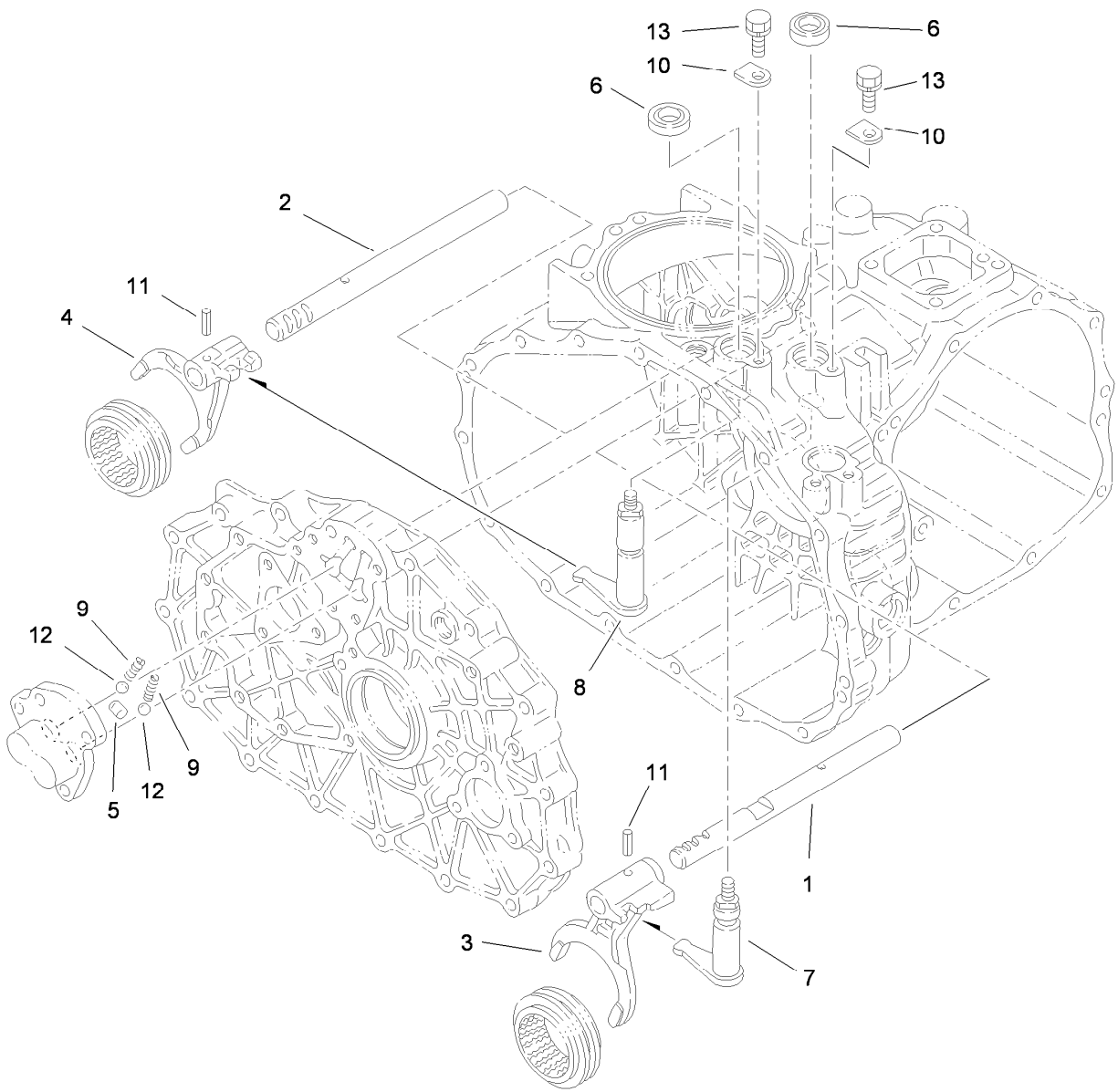
<i>Ref.</i>	<i>Part Number</i>	<i>Qty.</i>	<i>Description</i>
1	92-0664	1	Hub-Synchro
2	92-0665	3	Key-Synchro
3	92-0666	2	Spring-Synchro
4	92-0667	1	Ring-Synchro
5	92-0668	1	Shifter-Synchro
6	92-0674	1	Shaft-Reduction
7	110-2524	1	Gear- Reduction, 49 Tooth
8	92-0819	1	Gear-Reduction, 40 Tooth
9	92-0679	1	Gear-Reduction, H23 Tooth
10	92-0680	1	Collar

<i>Ref.</i>	<i>Part Number</i>	<i>Qty.</i>	<i>Description</i>
11	92-0681	2	Bearing-Needle
12	92-0682	1	Washer-Thrust
13	92-0822	1	Gear-Reduction, 28 Tooth
14	92-0823	1	Gear-Reduction, 43 Tooth
15	92-0740	1	Washer-Thrust
16	92-0763	1	Ring-Snap
17	92-0772	1	Key
18	105-7985	1	Bearing
19	92-0778	1	Bearing
20	92-0782	1	Bearing-Needle



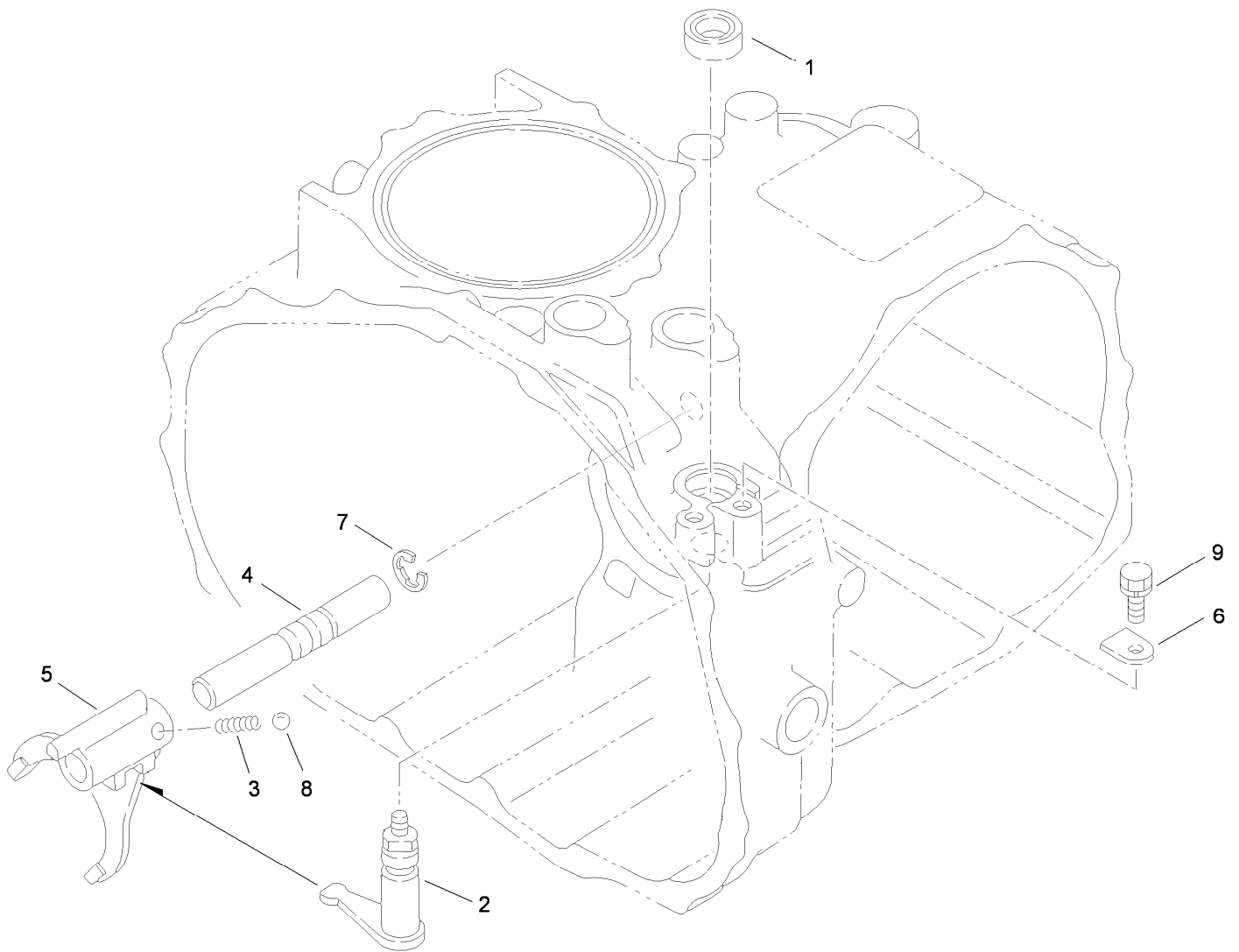
Reverse Shaft Assembly Transaxle Assembly No. 115-7783

<i>Ref.</i>	<i>Part Number</i>	<i>Qty.</i>	<i>Description</i>
1	92-0684	1	Gear-Reverse, 33 Tooth
2	92-0824	1	Shaft-Idler, Reverse
3	251-346	1	Bearing-Ball
4	92-0778	1	Bearing



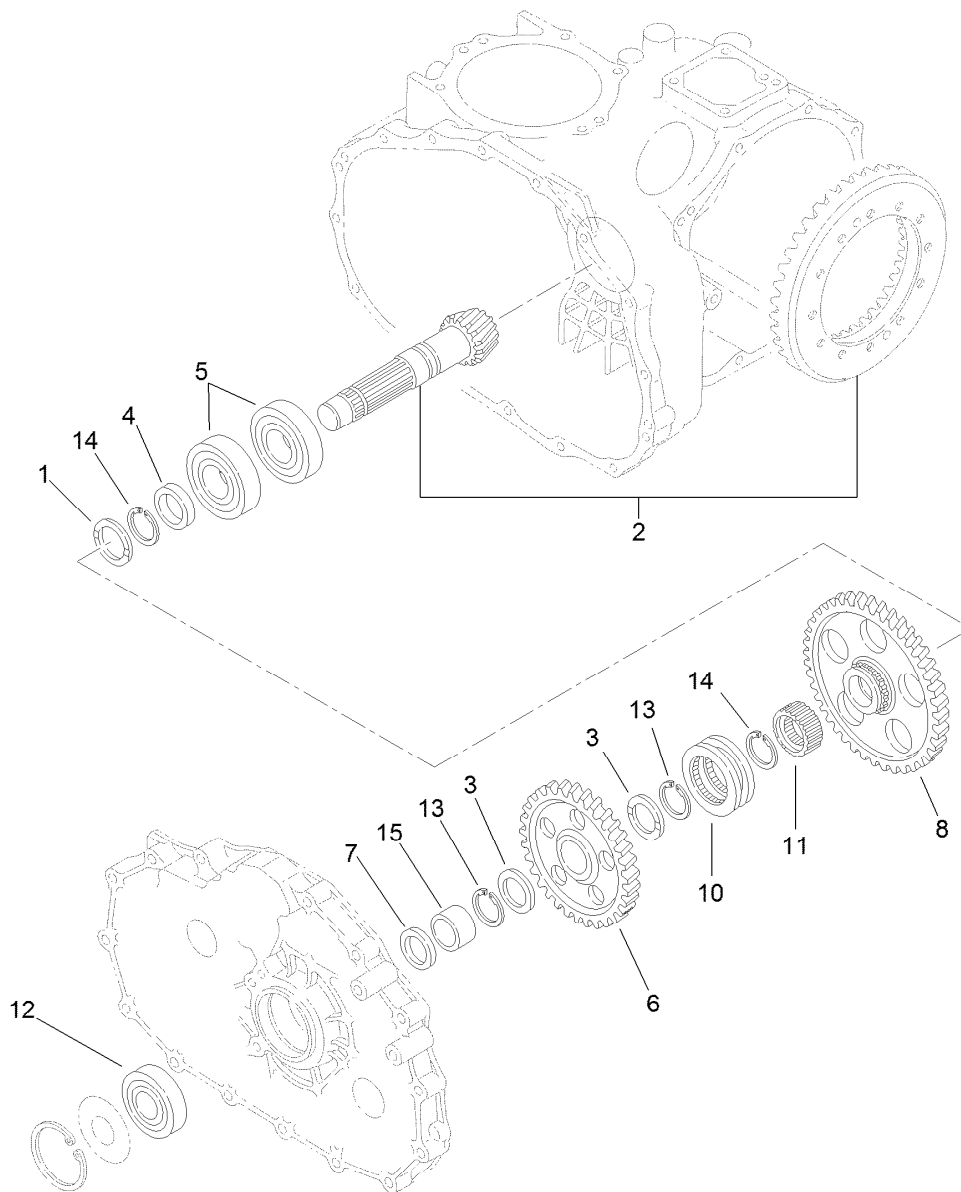
Main Shift Assembly Transaxle Assembly No. 115-7783

<i>Ref.</i>	<i>Part Number</i>	<i>Qty.</i>	<i>Description</i>
1	92-0698	1	Shaft-Fork
2	92-0699	1	Shaft-Fork
3	92-0700	1	Fork-Shift
4	92-0701	1	Fork-Shift
5	92-0705	1	Lock-Spindle
6	92-0729	2	Seal-Oil
7	92-0816	1	Arm-Shift
8	92-0817	1	Arm-Shift
9	92-0731	2	Spring
10	92-0732	2	Plate-Keeper
11	92-0769	2	Pin-Roll
12	92-0785	2	Ball-Steel
13	33104-016	2	Screw-HHF



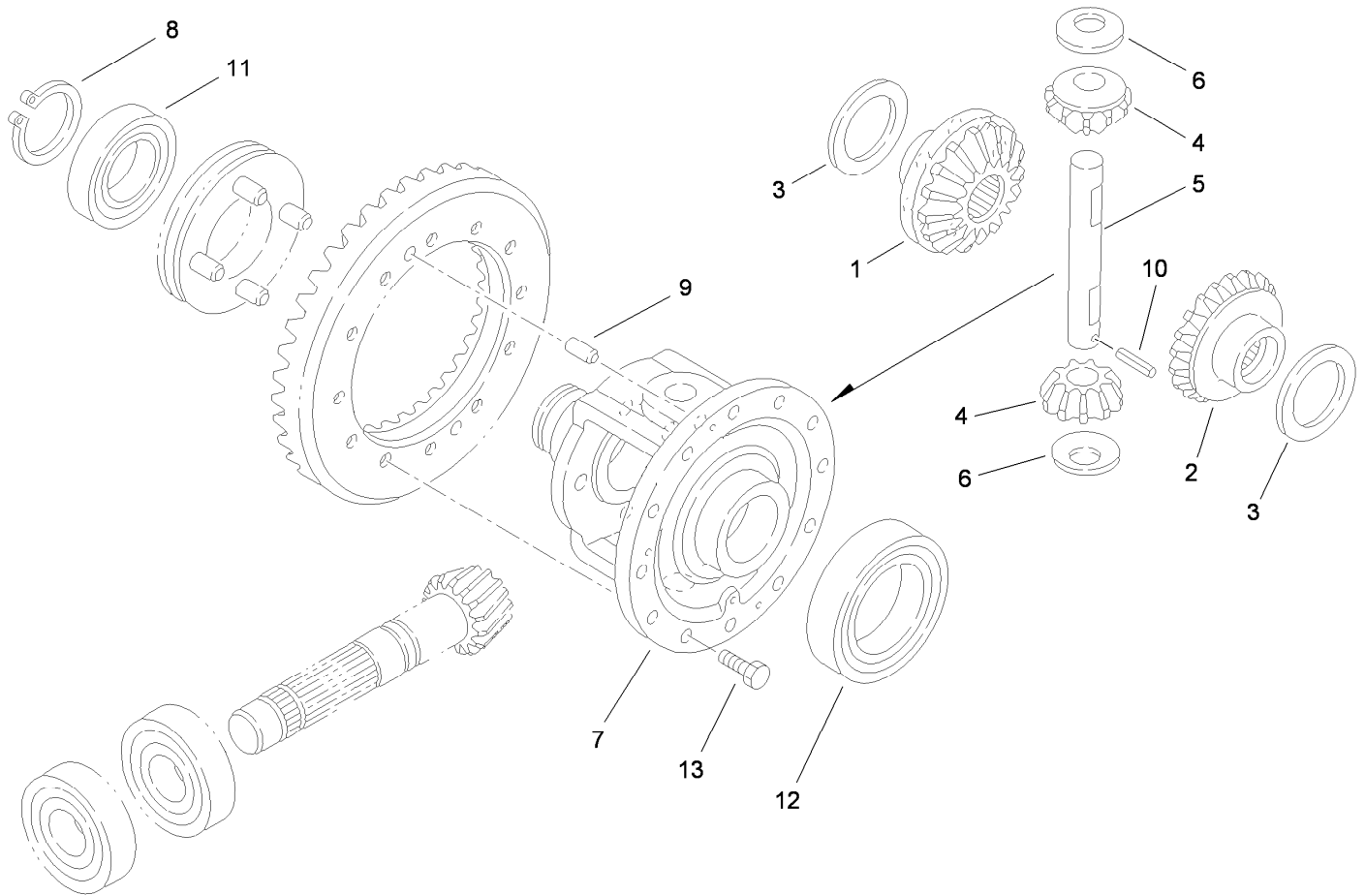
Hi-Lo Shift Assembly Transaxle Assembly No. 115-7783

<i>Ref.</i>	<i>Part Number</i>	<i>Qty.</i>	<i>Description</i>
1	92-0729	1	Seal-Oil
2	92-0818	1	Arm-Shift
3	92-0731	1	Spring
4	92-0708	1	Shaft-Fork
5	92-0709	1	Fork-Shift
6	92-0732	1	Plate-Keeper
7	92-0761	1	Ring-E
8	92-0785	1	Ball-Steel
9	33104-016	1	Screw-HHF



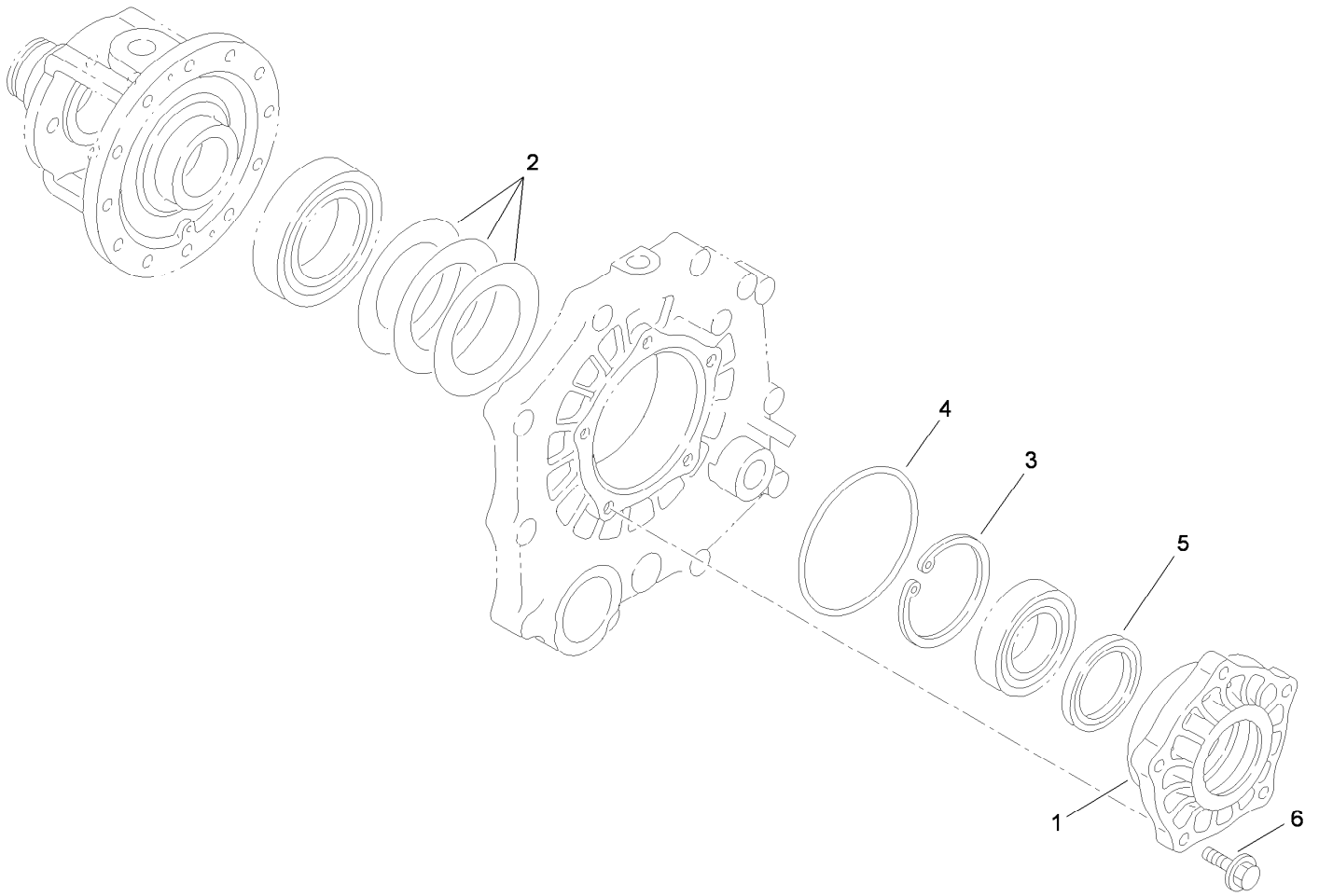
Countershaft Assembly Transaxle Assembly No. 115-7783

<i>Ref.</i>	<i>Part Number</i>	<i>Qty.</i>	<i>Description</i>
1	92-0741	1	Washer-Thrust
2	105-7983	1	Countershaft And Ring Gear ASM
3	92-0711	2	Washer-Thrust
4	92-0713	1	Collar
5	92-0714	2	Bearing
6	92-0715	1	Gear-Countershaft
7	92-0716	1	Collar
8	92-0717	1	Gear-Countershaft
10	92-0718	1	Shifter
11	105-7986	1	Collar-Spline
12	92-0712	1	Bearing-Ball
13	105-7987	2	Ring-Snap
14	92-0755	2	Ring-Snap
15	92-0783	1	Race-Inner



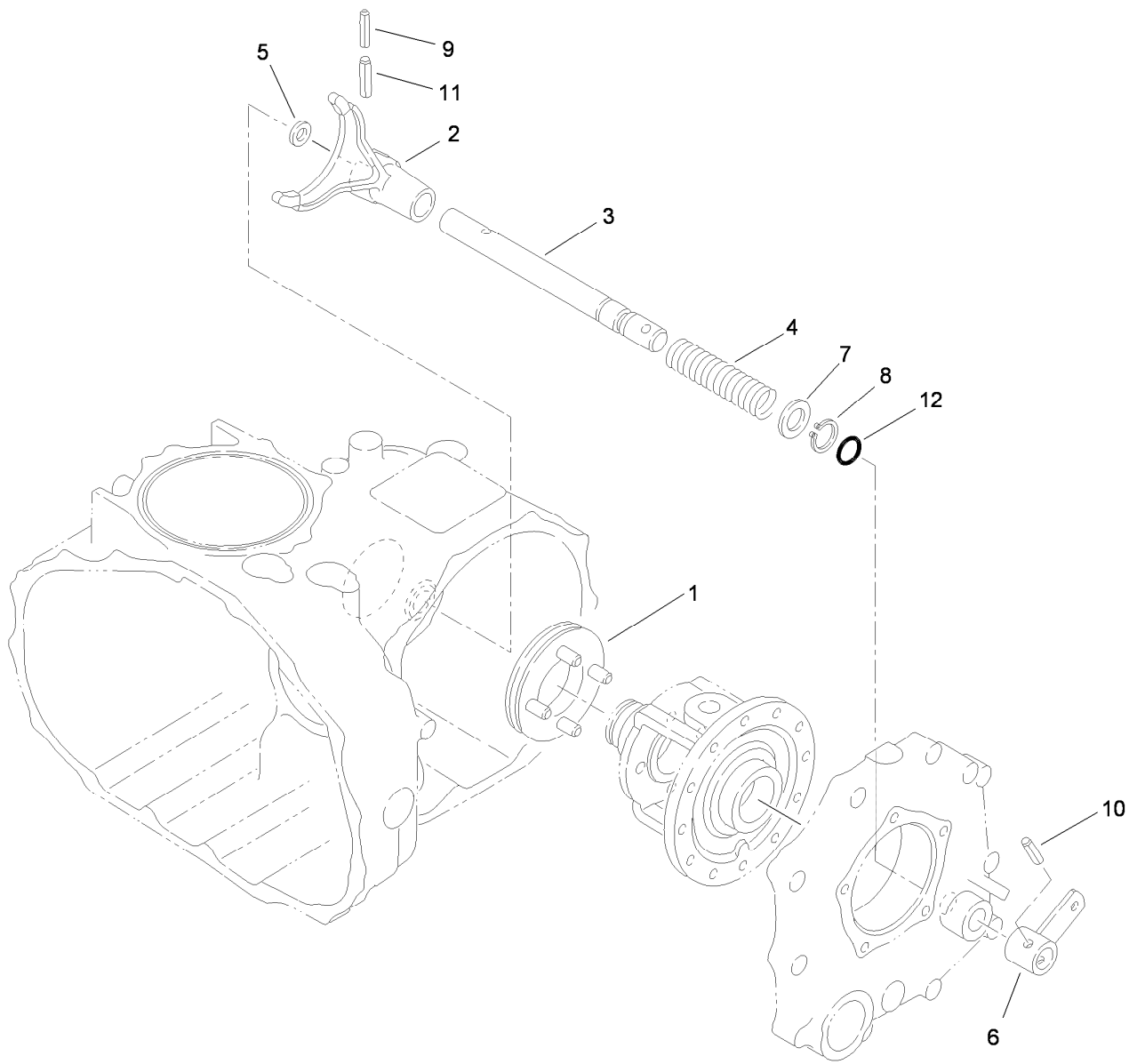
Differential Gear Assembly Transaxle Assembly No. 115-7783

<i>Ref.</i>	<i>Part Number</i>	<i>Qty.</i>	<i>Description</i>
1	92-0745	1	Gear-Side, LH
2	92-0746	1	Gear-Side, RH
3	92-0747	2	Side-Gear, Left Inner
4	92-0748	2	Pinion-Differential
5	92-0749	1	Shaft-Pinion
6	92-0750	2	Washer
7	92-0720	1	Case-Differential
8	92-0756	1	Ring-Snap
9	92-0765	2	Pin-Parallel
10	92-0768	1	Pin-Roll, Spring
11	92-0775	1	Bearing
12	92-0776	1	Bearing
13	92-0803	12	Bolt



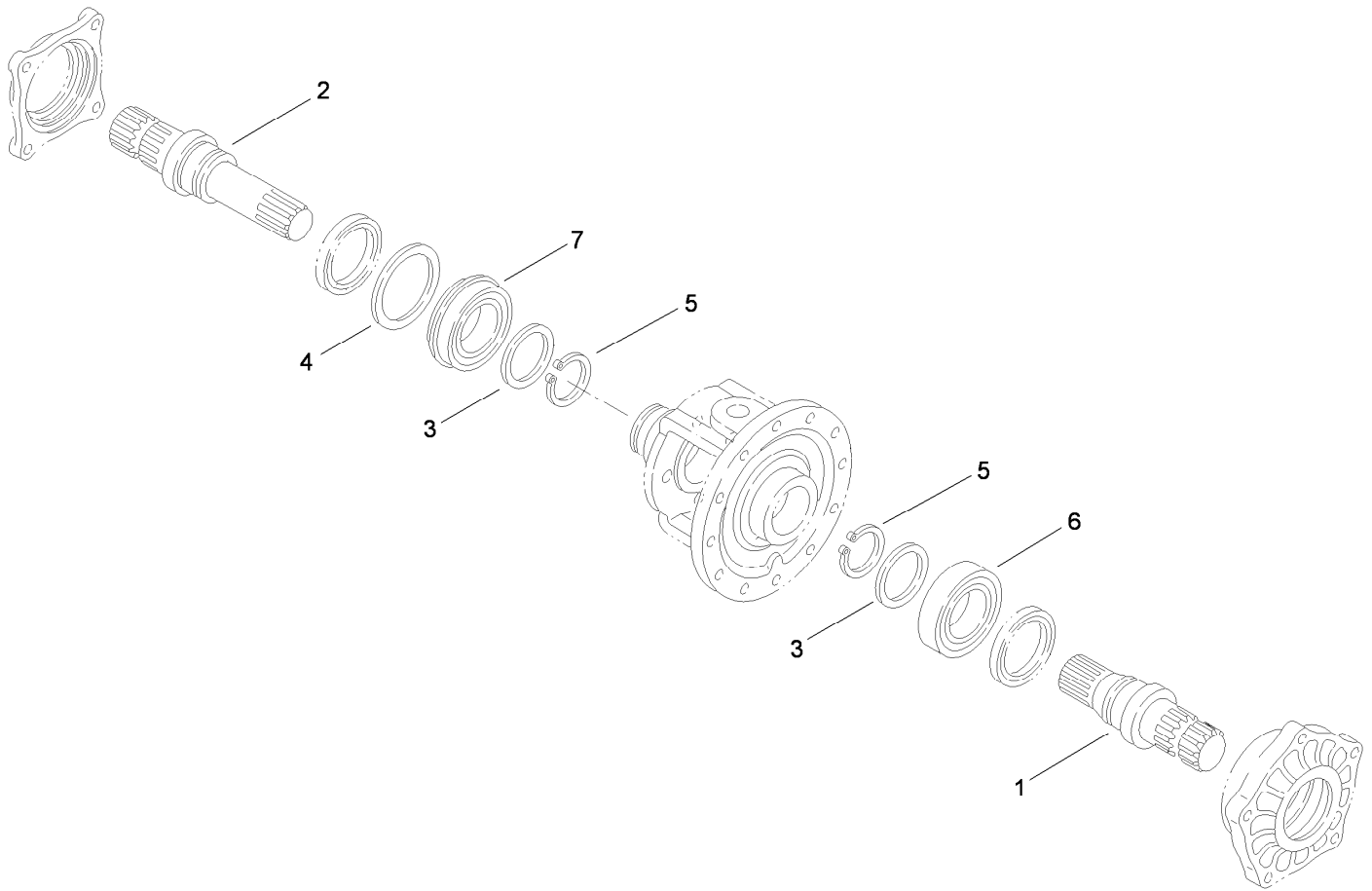
Differential Carrier Assembly Transaxle Assembly No. 115-7783

<i>Ref.</i>	<i>Part Number</i>	<i>Qty.</i>	<i>Description</i>
1	92-0654	1	Carrier-Differential
2	92-0809	1	Set-Shim
3	92-0760	1	Ring-Snap
4	92-0789	1	O-Ring
5	92-0793	1	Seal-Oil
6	33104-030	5	Screw-HHF



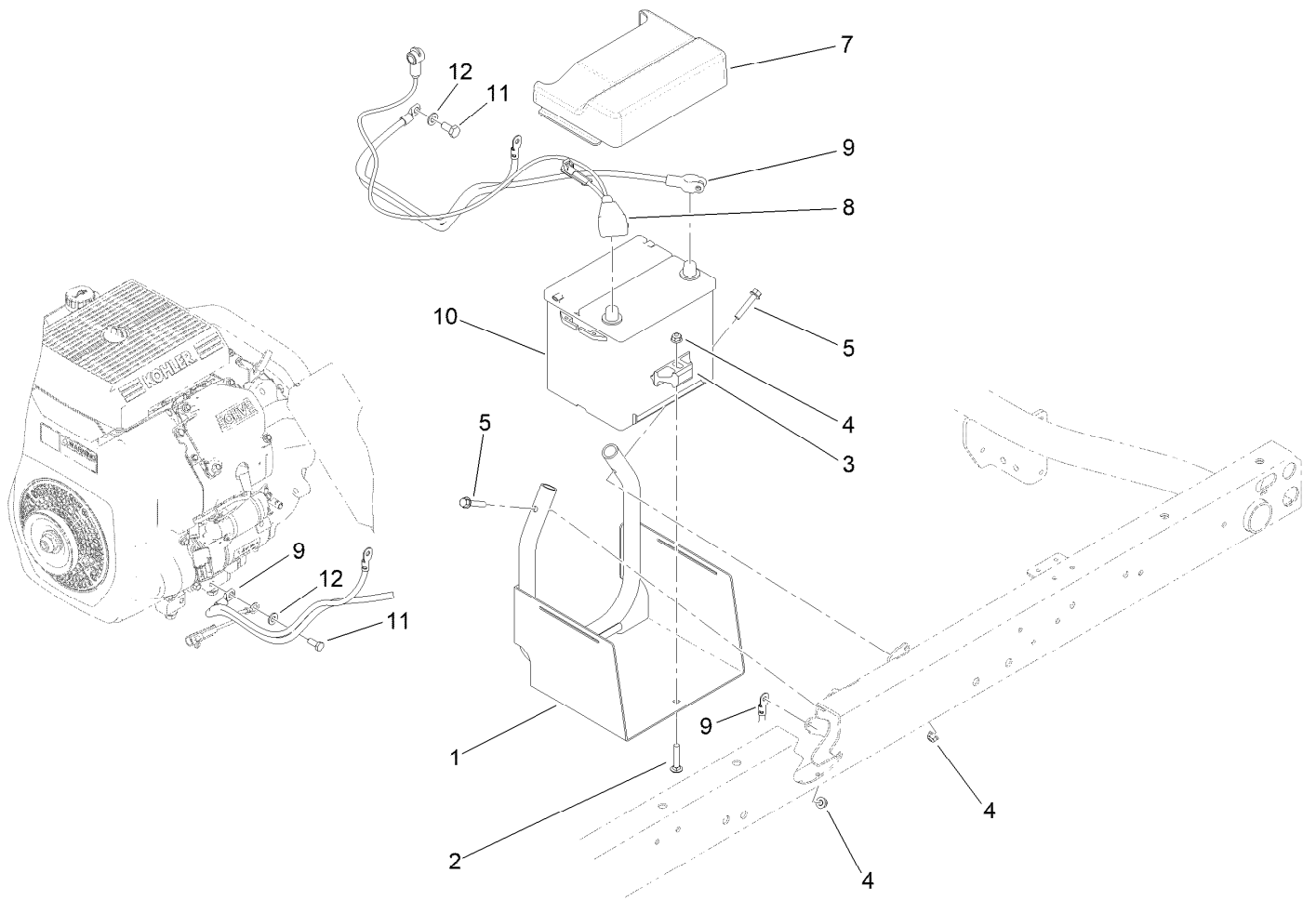
Differential Lock Assembly Transaxle Assembly No. 115-7783

<i>Ref.</i>	<i>Part Number</i>	<i>Qty.</i>	<i>Description</i>
1	92-0730	1	Slider-Differential, Lock
2	92-0721	1	Fork-Lock, Differential
3	92-0722	1	Shaft-Fork, Lock Differential
4	92-0723	1	Spring-Lock, Differential
5	92-0744	1	Washer
6	92-0724	1	Arm-Lock, Differential
7	92-0733	1	Washer
8	92-0753	1	Ring-Snap
9	92-0768	1	Pin-Roll, Spring
10	92-0770	1	Pin-Roll, Spring
11	92-0771	1	Pin-Roll, Spring
12	92-0787	1	O-Ring



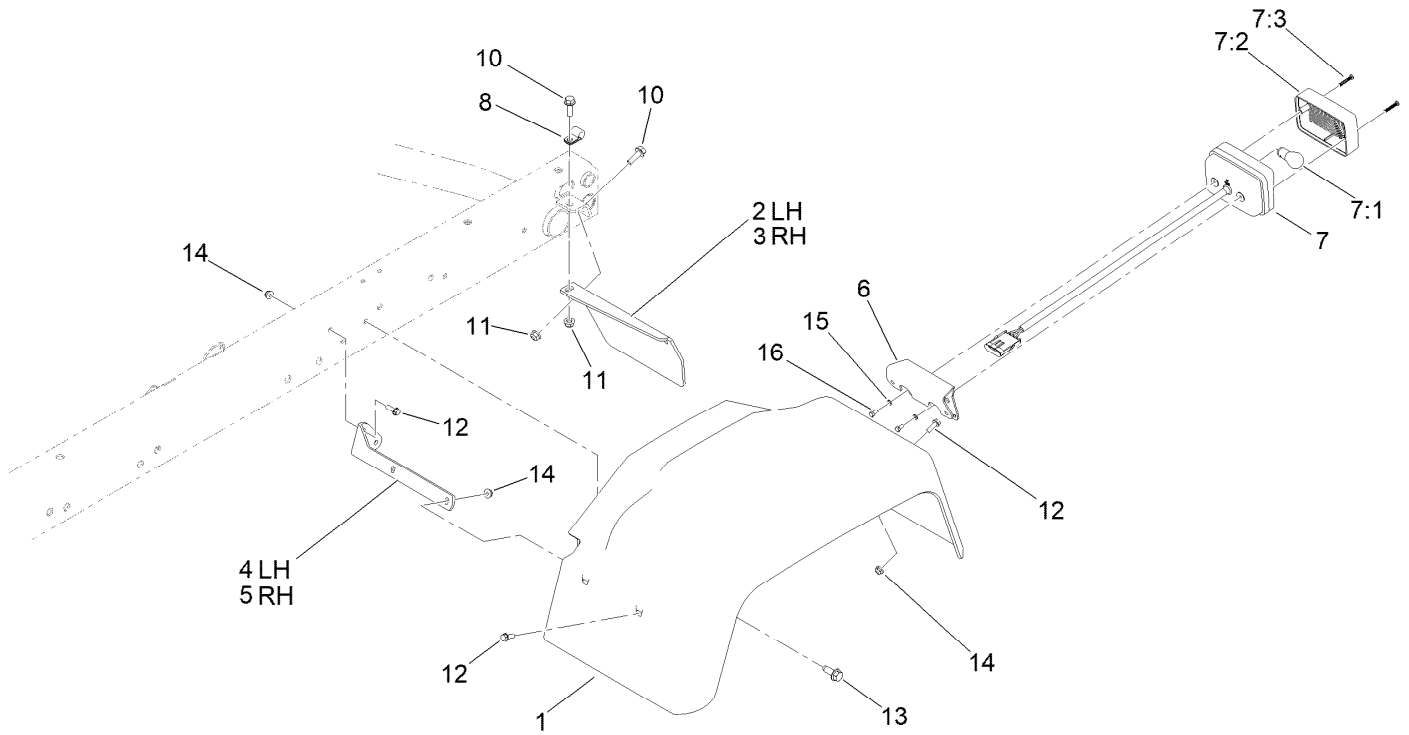
Axle Shaft Assembly Transaxle Assembly No. 115-7783

<i>Ref.</i>	<i>Part Number</i>	<i>Qty.</i>	<i>Description</i>
1	92-0725	1	Shaft-Axle, Left
2	92-0726	1	Shaft-Axle, Right
3	92-0727	2	Washer
4	92-0728	1	Washer
5	92-0756	2	Ring-Snap
6	92-0775	1	Bearing
7	92-0780	1	Bearing



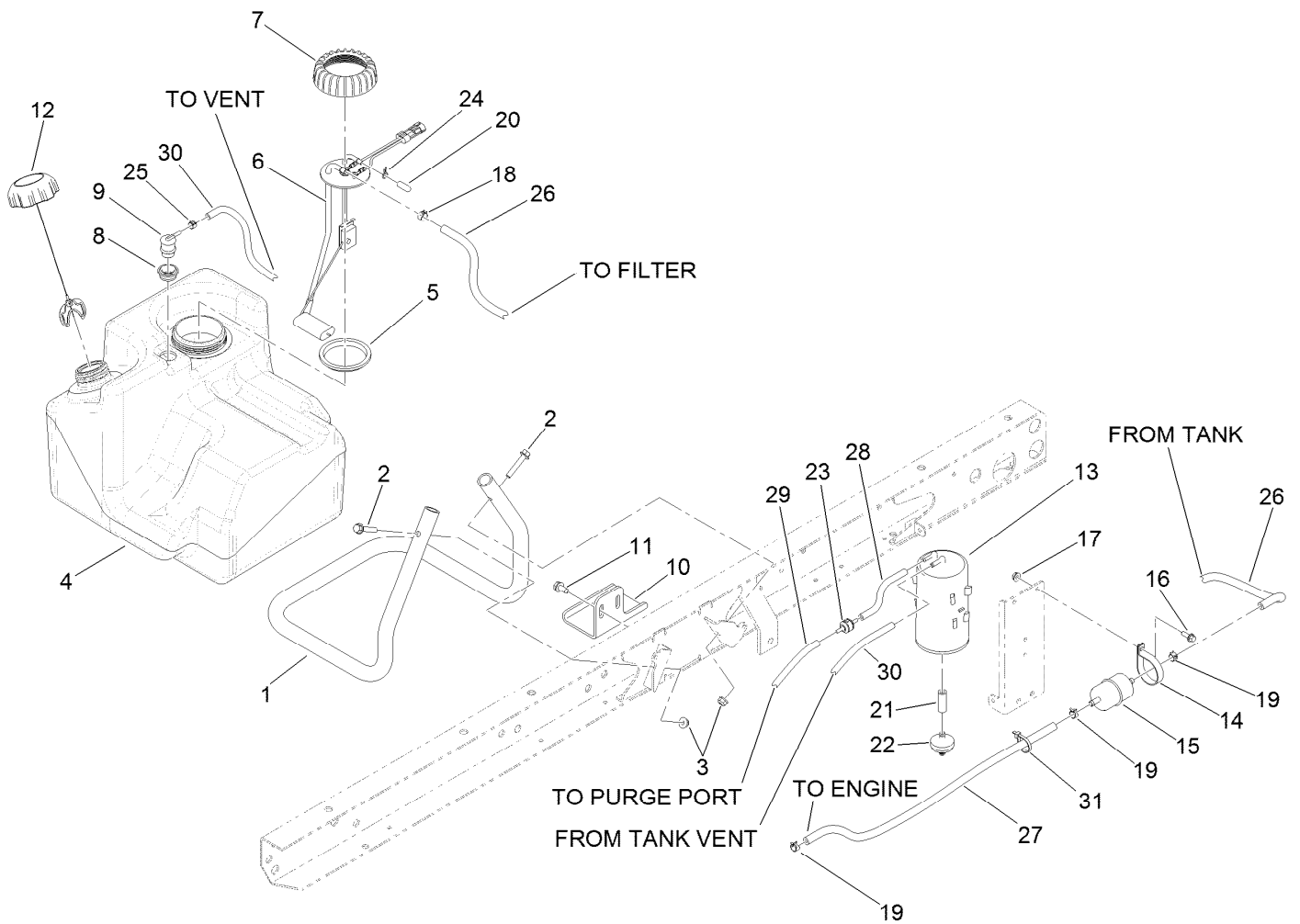
Battery Assembly

<i>Ref.</i>	<i>Part Number</i>	<i>Qty.</i>	<i>Description</i>
1	115-2237-03	1	Tray-Battery
2	3230-5	1	Bolt-CARR
3	138-6335	1	Retainer-Battery
4	104-8300	3	Nut-HF, NI
5	94-5780	2	Screw-HWH
7	119-9496	1	Cover-Battery
8	122-0204	1	Cable-Battery, Positive
9	122-0120	1	Cable-Battery, Negative
10	106-5187	1	Battery, 525 CCA W/O Electrolyte
11	33114-020	1	Screw-HH
12	33094-00	1	Washer-Plain



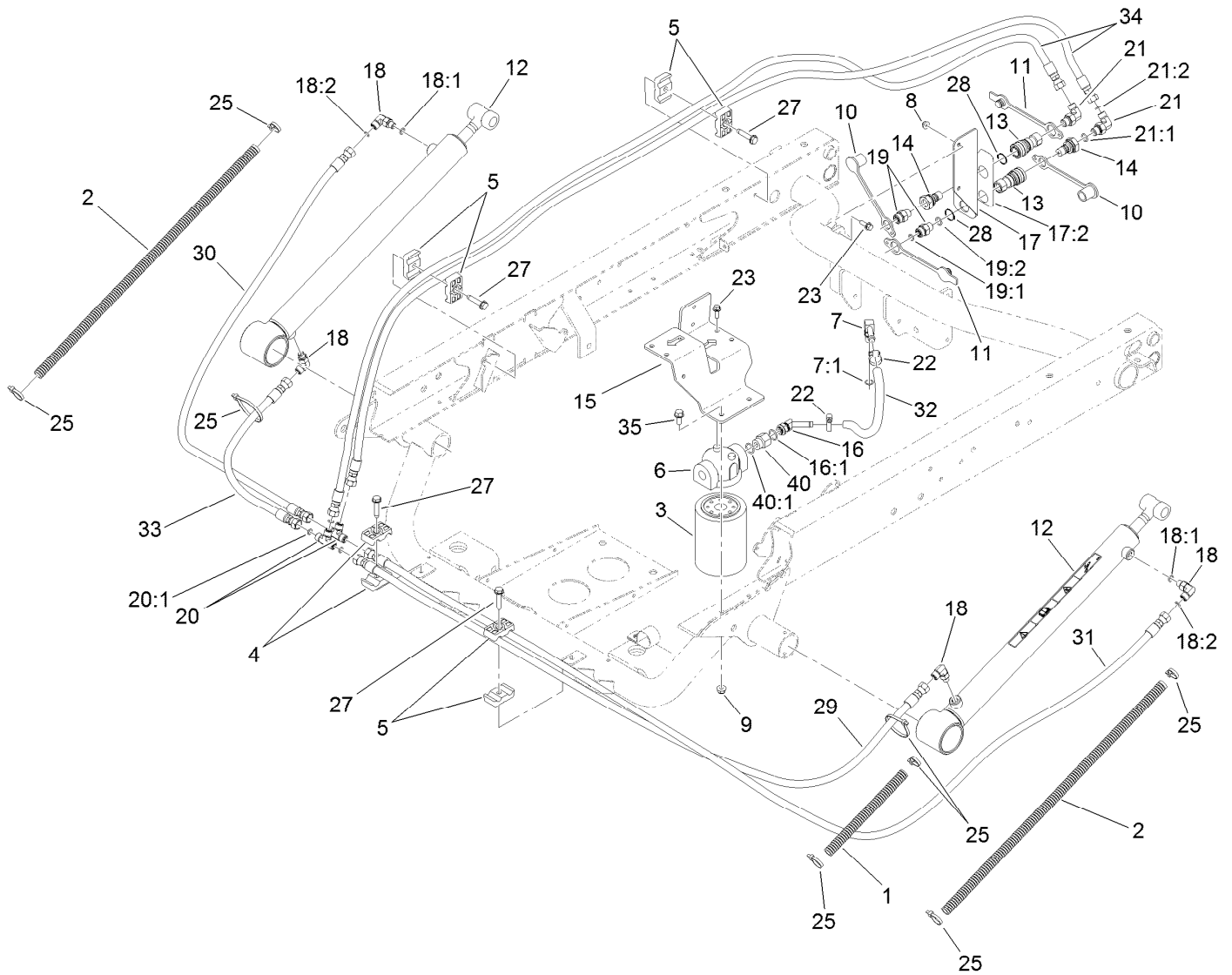
Tail Light and Fender Assembly

Ref.	Part Number	Qty.	Description	Ref.	Part Number	Qty.	Description
1	132-6701	2	Fender-Rear	7:3	121-6272	2	Screw-PPH
2	93-8943-03	1	Bracket-Fender, Rear (LH)	8	2412-93	2	Clamp-R
3	93-8944-03	1	Bracket-Fender, Rear (RH)	10	3234-17	4	Screw-HHF
4	93-8941-03	1	Bracket-Fender, Front (LH)	11	104-8300	4	Nut-HF, NI
5	93-8942-03	1	Bracket-Fender, Front (RH)	12	32105-15	12	Screw-HWH
6	121-6269-03	2	Bracket-Light, Tail	13	126-1696	6	Screw-HWHTF
7	120-4820	2	Light-Tail, Brake	14	104-7201	12	Nut-HF, NI
7:1	115-7858	1	Bulb-7528	15	43-5920	4	Washer-Lock, Spring
7:2	121-6271	1	Lens-Light, Tail	16	121-6320	4	Screw-HH



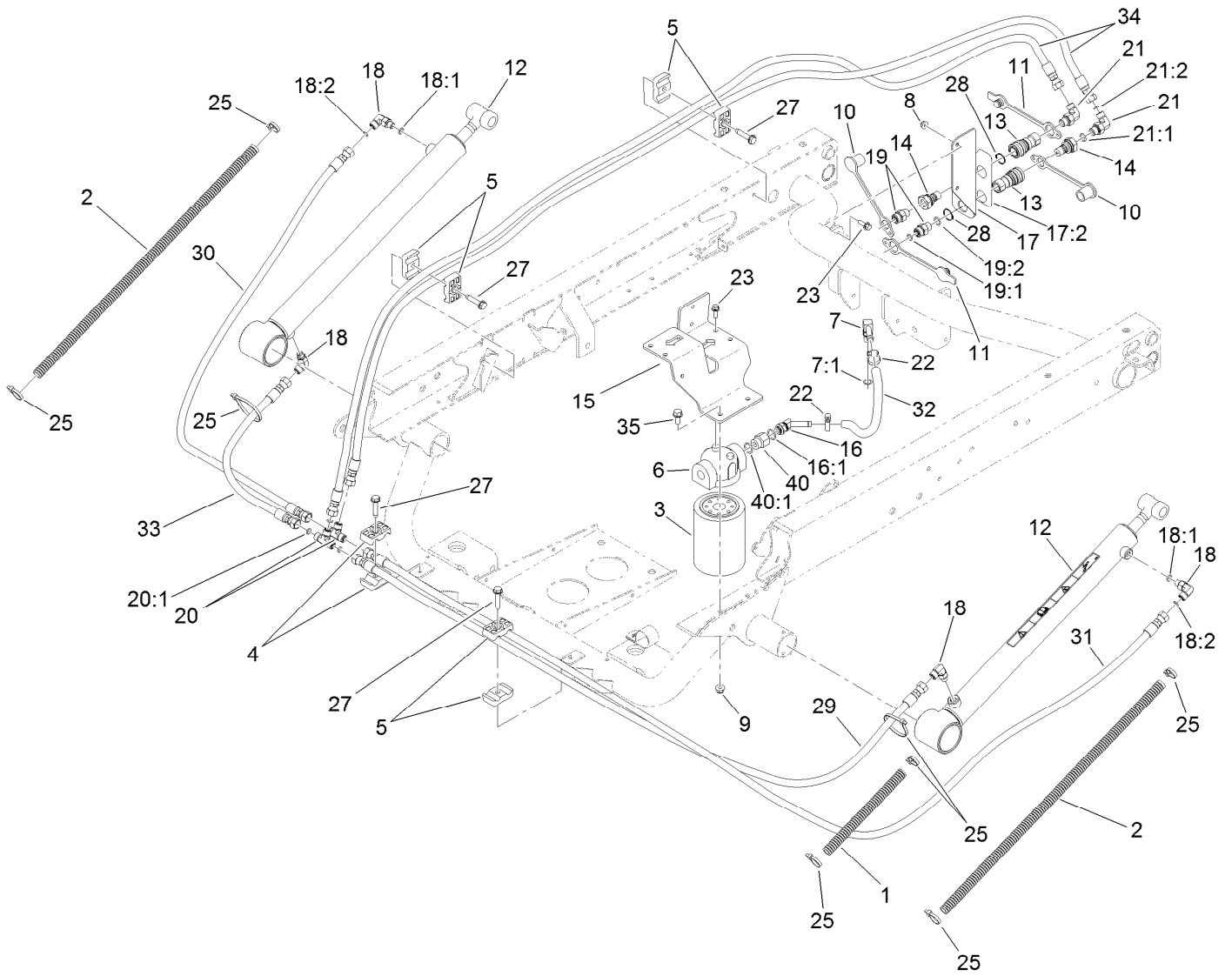
Fuel System Assembly

Ref.	Part Number	Qty.	Description	Ref.	Part Number	Qty.	Description
1	115-7767-0P	1	Tube-Support	17	32128-33	1	Nut-HF
2	94-5780	2	Screw-HWH	18	92-2379	1	Clamp-Hose
3	104-8300	4	Nut-HF, NI	19	2412-98	3	Clamp-Hose
4	115-7700	1	Tank-Fuel	20	115-2403	1	Cap
5	115-2163	1	Gasket-Pump, Fuel	21	106-5317	1	Hose-Fuel
6	114-8348	1	Sender-Fuel	22	115-7854	1	Filter-Fuel, Inline
7	115-2162	1	Cap-Pump, Fuel	23	133-8499	1	Valve-Check, Vacuum
8	114-0284	1	Grommet	24	2412-79	1	Clamp-Hose
9	114-0285	1	Valve-Rollover	25	2412-146	1	Clamp-Hose
10	114-8404	1	Plate-Retainer	26	110-3372	1	Hose-Fuel
11	32144-70	2	Screw-HWHTF	27	109-0281	1	Hose-Fuel
12	137-4127	1	Cap-Fuel	28	115-7871	1	Hose-Fuel
13	127-8685	1	Canister-Carbon	29	115-7872	1	Hose-Fuel
14	2412-148	1	Clamp-R	30	110-3254	1	Hose-Fuel
15	108-3854	1	Filter-Fuel	31	3290-379	1	Tie-Cable
16	3234-4	1	Screw-HHF				



Hydraulic Lift Cylinder Assembly

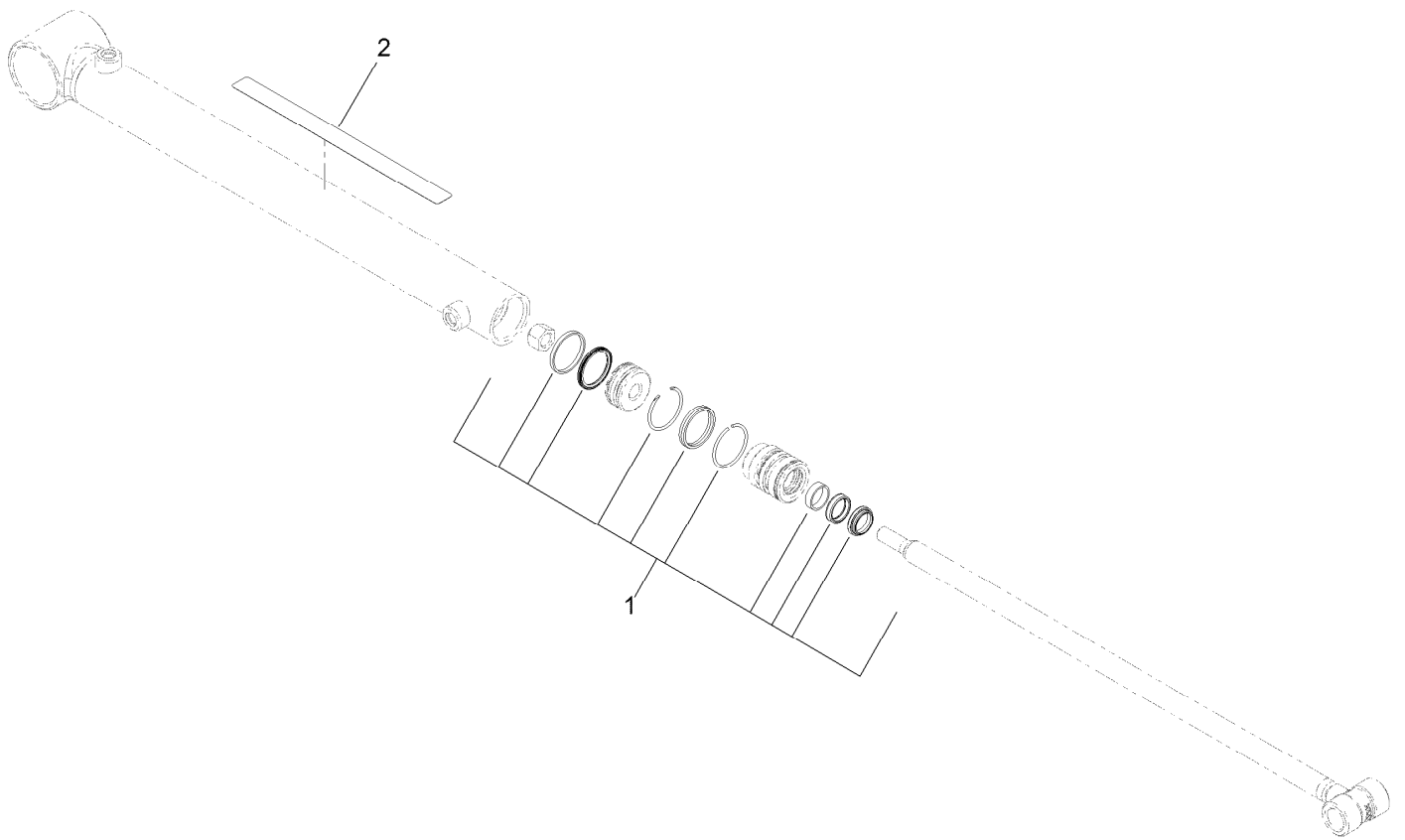
Ref.	Part Number	Qty.	Description	Ref.	Part Number	Qty.	Description
1	24-7922	1	Conduit-Convolved, Split	18:1	237-78	1	O-Ring
2	24-7923	2	Conduit-Convolved, Split	18:2	237-21	1	O-Ring
3	54-0110	1	Filter-Oil, Transmission	19	340-2	2	Fitting-Straight
4	56-7971	2	Clamp-Tube	19:1	237-22	1	O-Ring
5	56-7976	6	Clamp-Tube	19:2	237-42	1	O-Ring
6	87-8780	1	Head-Filter	20	340-21	2	Fitting
7	100-4887	1	Fitting-Elbow, 90	20:1	237-21	3	O-Ring
7:1	237-42	1	O-Ring	21	340-82	2	Fitting-Elbow, 90 DEG
8	104-7201	2	Nut-HF, NI	21:1	237-42	1	O-Ring
9	104-8300	2	Nut-HF, NI	21:2	237-21	1	O-Ring
10	106-7881	2	Cap-Dust, HYD	22	2412-36	2	Clamp-Hose
11	106-7882	2	Plug-Dust, HYD	23	3234-4	4	Screw-HHF
12	133-0620	2	HYD Cylinder ASM	25	3290-379	6	Tie-Cable
13	106-7968	2	Coupler-Quick, Female	27	32144-57	4	Screw
14	106-7969	2	Coupler-Quick, Male	28	32151-83	2	Ring-Snap
15	115-2168-OP	1	Bracket-Mount-Filter	29	115-7711	1	Hose-HYD
16	103-1807	1	Fitting-Barbed, 45 DEG	30	108-6508	1	Hose-HYD
16:1	237-42	1	O-Ring	31	104-3716	1	Hose-HYD
17	139-4530	1	Coupler Bracket ASM	32	115-2228	1	Hose-HYD
17:2	115-7723	1	Decal-Disconnect, Quick	33	110-0931	1	Hose-HYD
18	340-132	4	Fitting-Elbow, 90 DEG	34	106-3680	2	Hose-HYD



Hydraulic Lift Cylinder Assembly (continued)

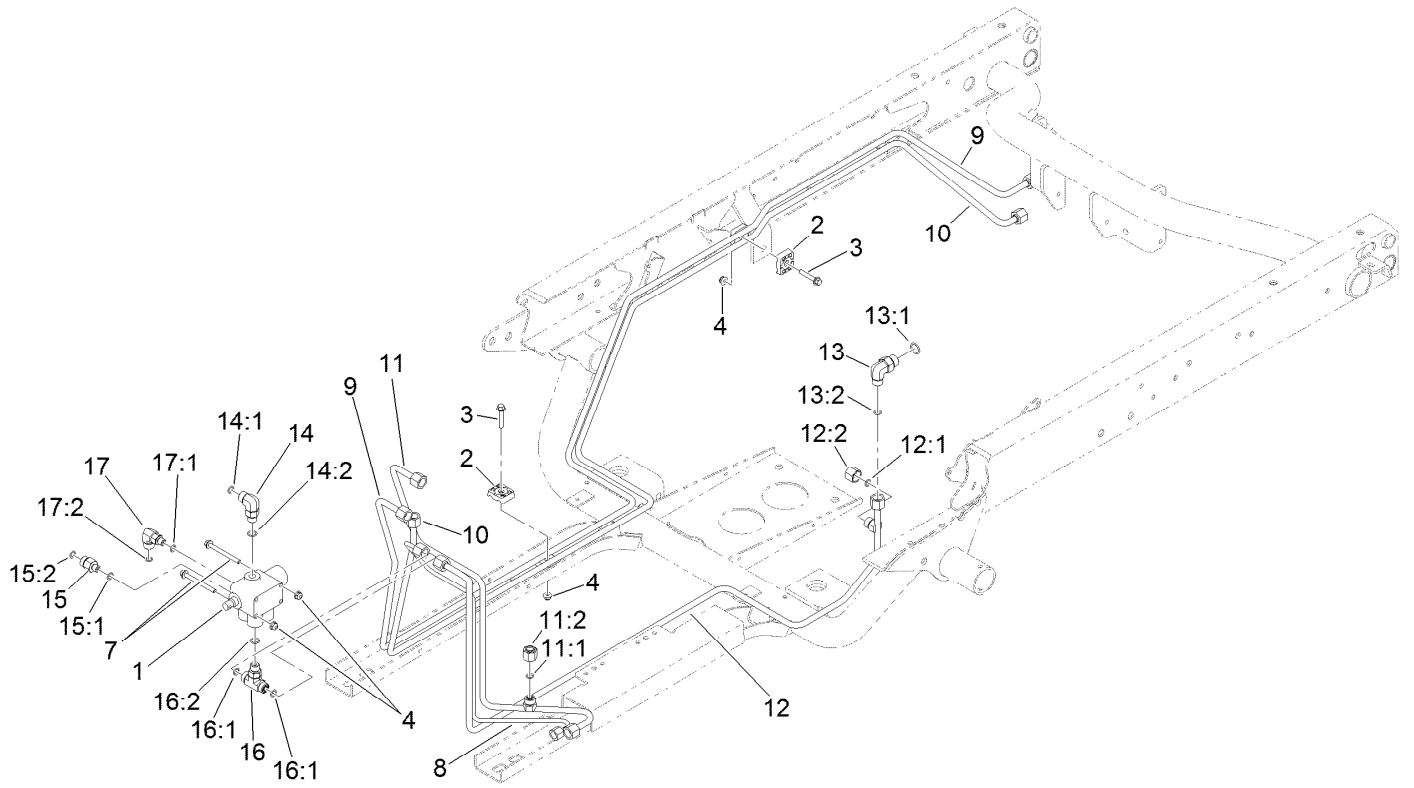
Ref.	Part Number	Qty.	Description
35	3234-5	2	Screw-HHF

Ref.	Part Number	Qty.	Description
40	353-397	1	Reducer-Adapter
40:1	237-79	1	O-Ring



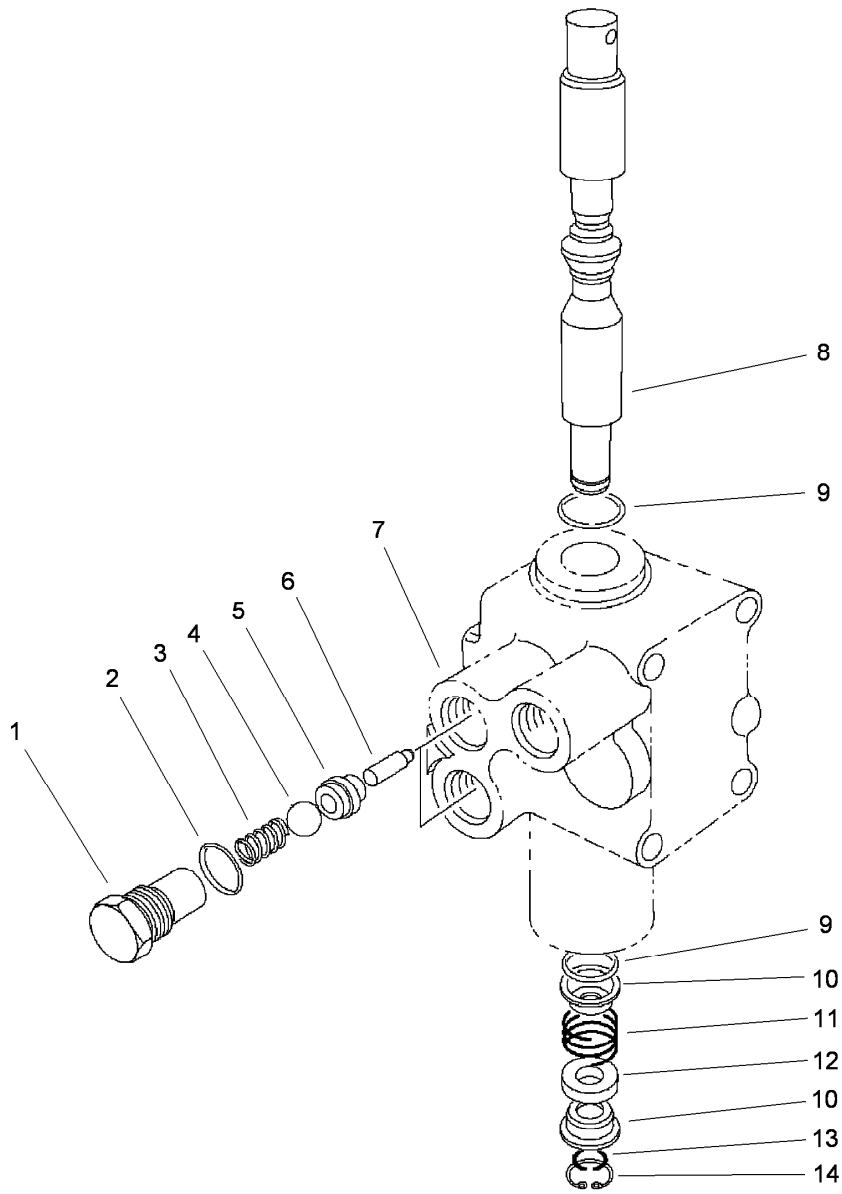
Hydraulic Cylinder Assembly No. 133-0620

<i>Ref.</i>	<i>Part Number</i>	<i>Qty.</i>	<i>Description</i>
1	133-0618	1	Cylinder Seal Kit
2	93-9852	1	Decal-Warning



Lift Valve Assembly

<i>Ref.</i>	<i>Part Number</i>	<i>Qty.</i>	<i>Description</i>	<i>Ref.</i>	<i>Part Number</i>	<i>Qty.</i>	<i>Description</i>
1	43-1950	1	HYD Control Valve ASM	13:1	237-79	1	O-Ring
2	56-7973	4	Clamp-Tube	13:2	237-22	1	O-Ring
3	94-5781	2	Screw-HHF	14	340-77	1	Fitting-Elbow, 90 DEG
4	104-7201	4	Nut-HF, NI	14:1	237-22	1	O-Ring
7	114-8410	2	Screw-HHF	14:2	237-42	1	O-Ring
8	127-8605	1	Tube-HYD	15	340-88	1	Fitting-Straight
9	115-2217	1	Tube-HYD	15:1	237-22	1	O-Ring
10	115-2218	1	Tube-HYD	15:2	237-78	1	O-Ring
11	127-8604	1	Tube-HYD	16	340-94	1	Adapter
11:1	237-22	1	O-Ring	16:1	237-22	2	O-Ring
11:2	340-117	1	Cap	16:2	237-42	1	O-Ring
12	127-8752	1	Tube-HYD	17	340-97	1	Fitting-Elbow, 90 DEG
12:1	237-22	1	O-Ring	17:1	237-22	1	O-Ring
12:2	340-117	1	Cap	17:2	237-78	1	O-Ring
13	340-18	1	Fitting-HYD, 90 DEG				



Control Valve Assembly No. 43-1950

Ref.	Part Number	Qty.	Description
1	22-8330	2	Plug
2	237-42	2	O-Ring
3	22-8340	2	Spring
4	22-8350	2	Ball
5	22-8370	2	Seat-Valve
6	22-8360	2	Pin
7		1	Body ●
8	22-8420	1	Spool
9	22-8500	2	O-Ring
10	22-8380	2	Retainer
11	22-8410	1	Spring
12	23-3030	1	Spacer
13	22-8480	1	Ring-Snap
14	22-8490	1	Ring-Snap

● Not serviced separately

Attachments and Accessories

For 07369 Workman HD Utility Vehicle with Bed

Product Name	Model/Part
Hitch Pin	100-4523
Pro Sweep Turf Sweeper	07068
Jack Stand	105-9482-03
Backup Alarm Kit	127-8729
Bed Liner	07331
Topdresser 1800	44225
Topdresser 1800 Lift Kit	92-4452
Hitch ASM	131-3462
External Antenna Kit, Wireless Hourmeter System	115-9524
Topdresser 2500	44507
Base Station Kit, Wireless Hourmeter System	115-9542
Core Harvester Adapter Kit	44242
Synthetic Turf Conditioner, Tow-Behind Accessory	08791
Premium All Purpose Grease (Tube)	108-1190
Repeater Kit, Wireless Hourmeter System	115-9543
Rear PTO Kit	07419
Multi Pro WM Turf Sprayer	41240
Cab Kit	07392
Door Kit with Sliding Window	07393
12 Inch Rear Wheel Weights	81115
Worklight Kit	117-4827
Backup Alarm Kit	107-8037
Hand Throttle Kit	07420
Side Mirror Kit	115-7849
Tailpipe Extension Kit	127-7397
Tire-Rear, 24x13-12	110-5132
Spark Arrestor Screen	94-8157
PTO Over Running Clutch Kit	92-2655
Fuse Block	92-2641
1/3 Area Cover Kit	127-8739
Remote Hydraulic Float Kit	117-4828
Canopy	07372
Windshield	07373
Premium ATF (Drum)	108-1185
Premium ATF (Pail)	108-1186
Horn Kit	115-7825
Remote Hydraulics Manifold Kit	110-2626
Roll-Over Protection System Signal Kit	117-4825
4 Post Roll-Over Protection System	07378
Receiver Hitch Kit	117-4831
Trailer Signal Kit	117-4836
Trailer Brake Kit	125-0123
Tire/Wheel ASM (24 X 13-12)	131-8432
Canopy for Four-Post Roll-Over Protection System Kit	119-9457
Tire-Rear, Industrial	99-1091
Wheel-12in x 8.0in	114-8260

Attachments and Accessories (continued)

Road Light and Homologation Kit	120-5030
Brake and Signal Light Kit.....	120-5045
ProPass 200 Top Dresser with Twin Spinner and Wireless Control	44751
ProPass 200 Top Dresser with Twin Spinner	44701
Door Mount Mirror Kit.....	136-1997
Pro Force Debris Blower.....	44553
Pro Force Debris Blower.....	44552
Exterior Mirror Kit.....	130-5448
Interior Mirror Kit.....	130-5449
Beacon Kit	130-5484
Work Light Kit	130-5485
Tachometer And Speedometer Kit.....	115-7786
Windshield Washer Fluid Kit, 2015 and after Workman MD/HD Series Utility Vehicle.....	130-5615
Small Seat Cover.....	131-6690
LED Worklight Kit.....	133-0554
ROPS Beacon Kit	133-0609
Aggressive Tire Kit.....	07422
Bracket-light, Canopy	133-0627
Pro Force Debris Blower.....	44554
Wheel/Tire ASM, A404 (20X9-12)Smooth	136-6334
Wheel/Tire ASM, A404 (24X12-12)Smooth	136-6335
Wheel/Tire ASM, A502 (20X9-12)Semi-Aggressive	136-6308
Wheel/Tire ASM, K502 (24X12-12)Semi-Aggressive.....	136-6309
Wireless Hourmeter	115-4754
Wireless Hourmeter Kit.....	138-5655

Notes:

Notes:

Notes:



Count on it.