



Count on it.

Parts Catalog

**ProStripe 560
Mower**

Model No. 02657—Serial No. 409500000 and Up



Ordering Replacement Parts

To order replacement parts, please supply the part number, the quantity, and the description of each part desired.

Understanding Reference Numbers

Each identified part in an illustration has a reference number. The reference number for a part also appears in the parts list, along with other information about the part.

This catalog uses two special reference number formats, one to indicate parts in a service assembly and another to indicate the quantity of a given part in an illustration.

Service Assembly Reference Numbers

Parts in service assemblies have reference numbers in the form a:b. The a represents the reference number of the entire service assembly and the b represents a sequential number unique to each part within the service assembly.

For example, a wheel assembly might be identified by reference number 6, the tire by 6:1, the valve by 6:2, and the wheel by 6:3. When you order the assembly identified by reference number 6, you receive all parts identified by reference numbers 6:1, 6:2, and 6:3. However, you may also order any part individually. Reference numbers of this type appear in illustration and in parts lists.

Reference Numbers Indicating Quantity

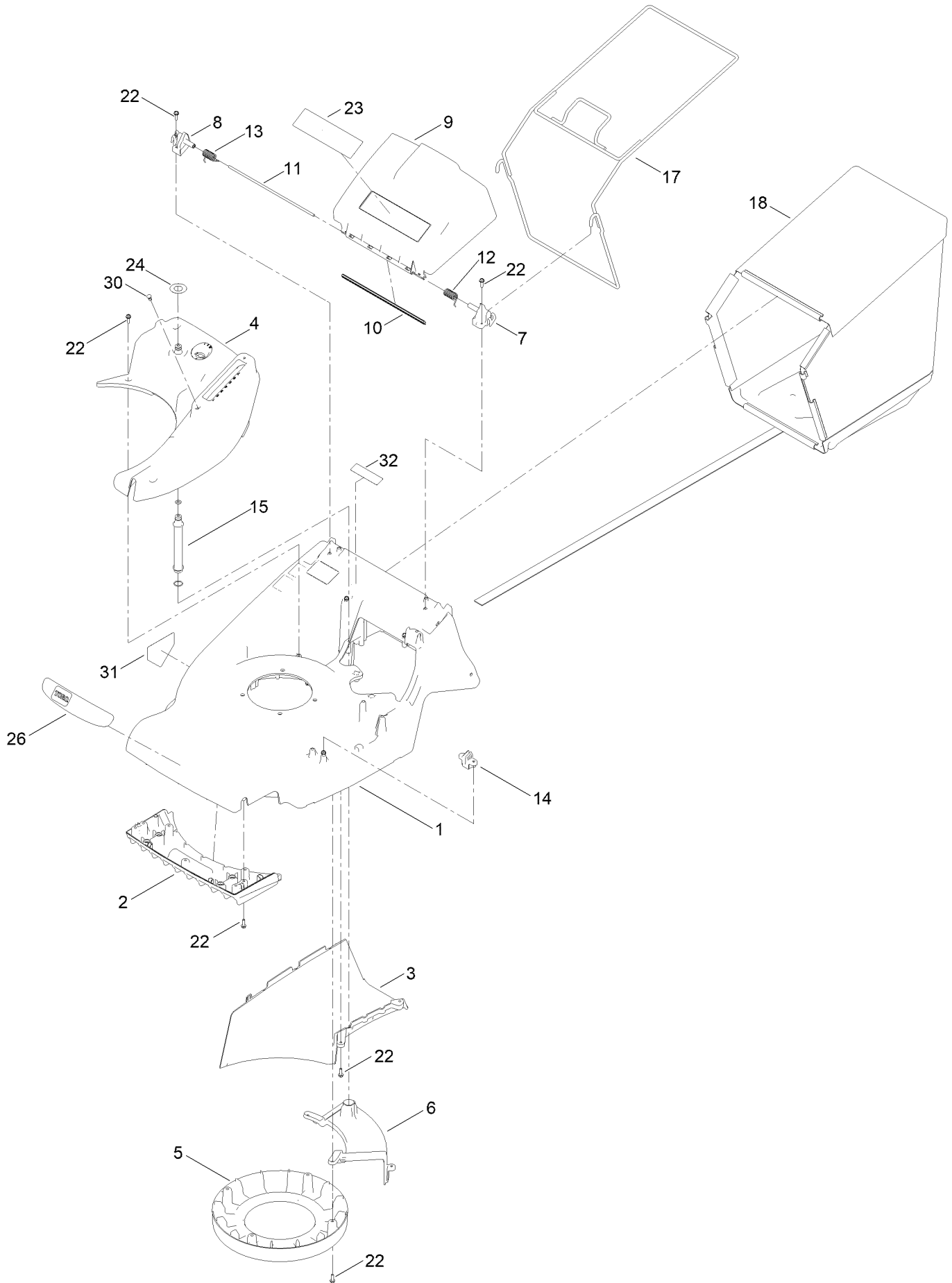
In an illustration, if a reference number indicates more than one part, the reference number has the form nX y. The n represents the quantity of the part, the X is the multiplication symbol, and the y represents the reference number.

For example, in an illustration, the reference number 2X 37 means that two of the parts identified by reference number 37 are indicated.

Contents

Deck and Bagger Assembly	4
Engine and Blade Assembly	6
Traction and Height-of-Cut Assembly	8
Handle Assembly	10
Lower Handle Assembly No. 134-3586	12
Attachments and Accessories	14

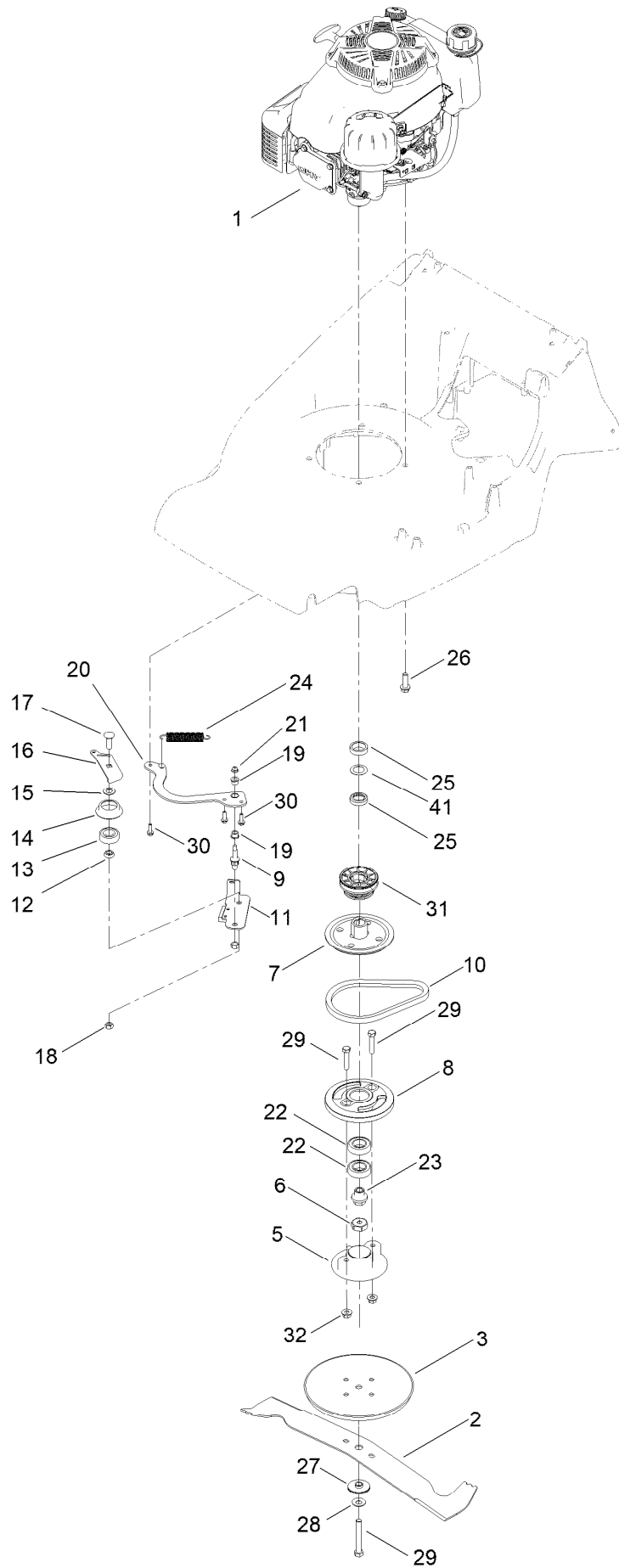
Deck and Bagger Assembly



Deck and Bagger Assembly (continued)

<i>Ref.</i>	<i>Part Number</i>	<i>Qty.</i>	<i>Description</i>	<i>Ref.</i>	<i>Part Number</i>	<i>Qty.</i>	<i>Description</i>
1	134-0332-01	1	Harrier Deck Assembly	13	111-8544	1	Spring-Deflector, Right
2	134-0333	1	Fins-Front	14	134-2255	1	Rod-Support
3	134-0334	1	Plate-Throw	15	134-2432	1	Washport Adapter Assembly
4	134-0335	1	Trim-Top	17	111-8628-03	1	Grassbag-Frame
5	134-0336	1	Cover-Belt	18	134-1569	1	Grassbag-Fabric, Toro
6	134-2208-03	1	Cover-Belt	22	09575	27	Screw-Taptite
7	111-8541	1	Mount-Deflector, Left	23	134-2137	1	Decal-Safety
8	111-8542	1	Deflector Mount Right	24	134-3333	1	Decal-Quick Wash
9	111-8647	1	Deflector-Rear	26	134-2302	1	Decal-Prostripe 560
10	111-8648	1	Deflector-Seal, Rear	30	134-0262	1	Rivet-Push, Plastic
11	111-8728	1	Rod-Deflector	31	94-8072	1	Decal-Danger
12	111-8543	1	Spring-Deflector, Left	32	133-8062	1	Decal-Arrestor, Spark

Engine and Blade Assembly



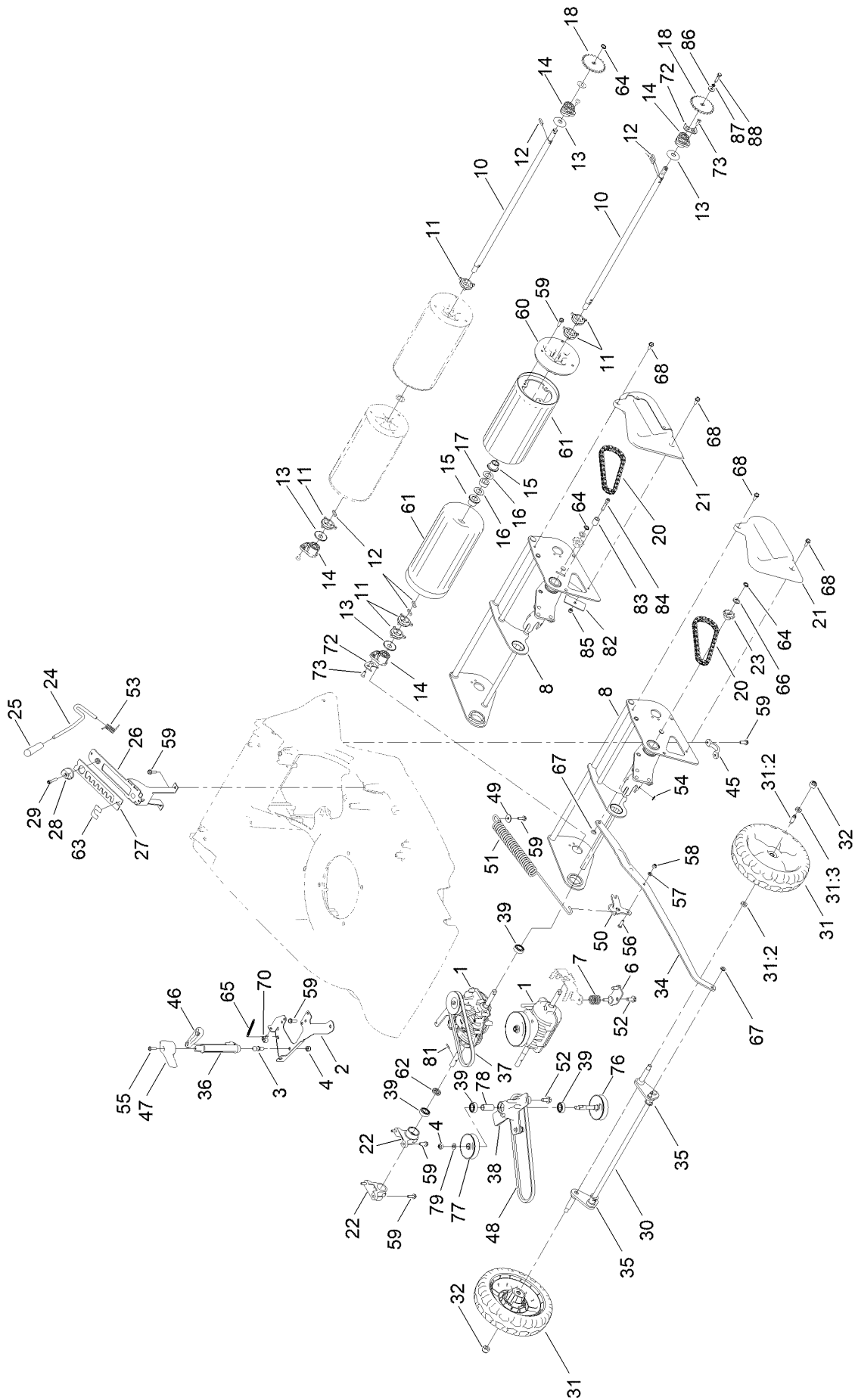
Engine and Blade Assembly (continued)

<i>Ref.</i>	<i>Part Number</i>	<i>Qty.</i>	<i>Description</i>	<i>Ref.</i>	<i>Part Number</i>	<i>Qty.</i>	<i>Description</i>
1		1	Engine-Kawasaki, Fj180V, BBC ●■	18	603773	2	Locknut
2	134-1849	1	Cutterbar, 56Cm	19	130-2377	2	Bushing-Flange
3	410057W	1	Disc-Friction	20	134-3773	1	BBC Anchor Plate Assy
5	134-2252	1	Spacer-Blade, BBC	21	137-3005	1	Nut-HF
6	134-2648	1	Nut-Retaining	22	134-0325	2	Bearing
7	134-4249	1	Pulley Half Drive BBC	23	111-8895	1	BBC Shaft Nut
8	134-2590	1	Drum-BBC	24	108-3792	1	Spring-Tension, Brake
9	107-0759	1	Bolt-Shoulder	25	111-8828	1	Spacer-Retaining
10	110-1790	1	Belt	26	09349	4	Screw-Taptite, Unc
11	125-1063	1	Plate-Brake	27	134-3973	1	Spacer-Distance, Cutterbar
12	107-0758	1	Spacer-Bearing	28	134-3191	1	Washer-Lock
13	38-7820	1	Bearing-Ball	29	134-1681	3	Bolt, Unf 3/8 X 1.3/4 (Grade 8. Rohs)
14	138-3217	1	Retainer-Belt	30	09575	3	Screw-Taptite
15	605256	1	Spacer	31	134-2714	1	Pulley-Engine
16	111-8855	1	Plate-Tensioner	32	139-1706	2	Nut-Flange, Lock
17	119-4162	1	Screw-CARR	41	134-2253	1	Spring-Disk

● Not serviced separately

■ Obtain parts from www.kawpower.com

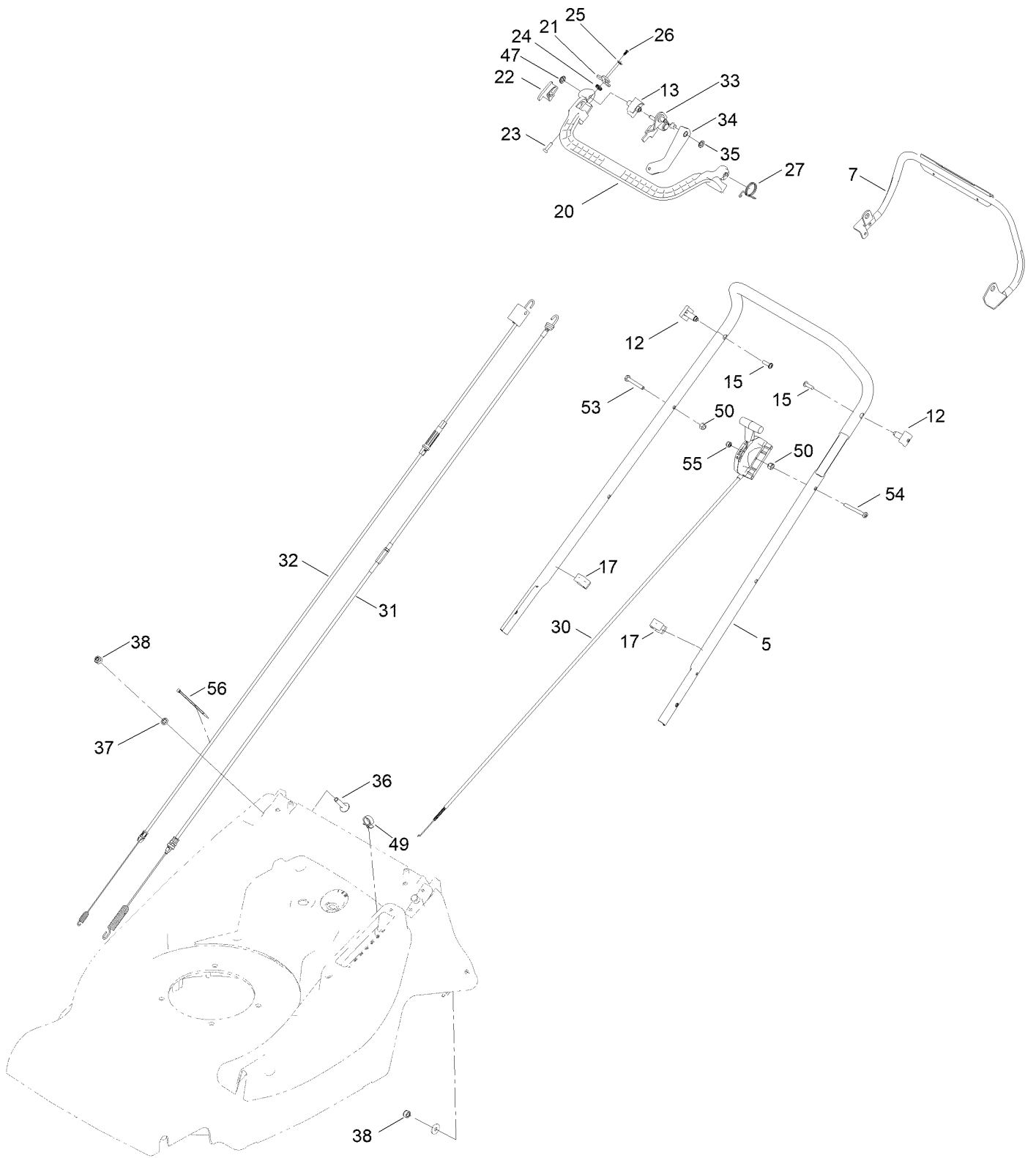
Traction and Height-of-Cut Assembly



Traction and Height-of-Cut Assembly (continued)

<i>Ref.</i>	<i>Part Number</i>	<i>Qty.</i>	<i>Description</i>	<i>Ref.</i>	<i>Part Number</i>	<i>Qty.</i>	<i>Description</i>
1	134-4648	1	Mg510 3-Speed Gearbox	46	134-2225	1	Arm-Selector, 3 Speed
2	134-1737	1	Gearbox Mounting Plate	47	134-2224	1	Knob- Selector, 3 Speed
3	134-2223	1	Stud-Ball	48	134-2295	1	V-Belt
4	09441	2	Nut-Hex, NI	49	09263	1	Washer
6	134-2209	1	Gearbox Bracket Assembly	50	134-2254	1	Spring Load Lever
7	111-8587	1	Spring-Mounting, Gearbox	51	134-2287	1	Spring Counter Balance
8	134-5276-03	1	Rear Frame, 56 (Pro)	52	134-2299	5	Screw-HWH
10	134-5253	1	Shaft-Roller, Pro	53	480132	1	Spring-Torsion, HOC
11	134-2924	4	Cam-Drive	54	04020	1	Grip-Fix
12	134-2034	4	Key-Drive	55	09687	1	Screw
13	111-8602	2	Washer-Thrust	56	09363	1	Screw-HH
14	134-2635	2	Bush, Rear Roller	57	09472	1	Washer-Plain
15	340129	2	Bushing-Roller, Oilite	58	09544	1	Nut-Nyloc
16	480097	2	Washer	59	09575	18	Screw-Taptite
17	134-0314	1	Spacer-Roller	60	134-2631	2	Cap-Roller, End
18	134-3806	1	Sprocket	61	134-0315-03	2	Roller Shell Assembly
20	134-5261	1	Chain(46 Pitches 3/8")	62	134-4513	1	Retaining Collar, Drive Shaft
21	134-4620	1	Chain Cover ASM	63	134-2620	1	Decal-HOC
22	134-0393	2	Mount-Bearing, Frame (Rear)	64	134-0254	2	Circlip-External, HD
23	134-3805	1	Sprocket, 10T	65	134-3366	1	Lever-Spring, Clutch (Return)
24	111-8705	1	Lever-HOC	66	111-8216	1	Washer-Thrust
25	480134	1	Knob-HOC	67	0201086	2	Washer-Starlock
26	134-0358	1	HOC Tower Assembly	68	09365	2	Screw-Taptite
27	134-0361	1	Plate-HOC	70	111-8696	1	Clip-Conduit, Twin
28	134-0362	1	Adjuster-HOC	72	134-1734	2	Bearing Support Plate
29	111-4586	1	Screw-HSH	73	09545	4	Screw-Taptite
30	134-4827	1	56 Front Axle Assembly HD	76	134-2290	1	Welded Jack Shaft ASM
31	133-2639	2	Wheel	77	134-2292	1	Split Pulley Upper
31:2	133-2603	2	Bearing-Ball	78	134-3284	1	Spacer Tube, Bearing
31:3	125-1077	1	Spacer	79	ZWP1H000U	1	Washer-Plain
32	119-4042	2	Nut-HF, NI	81	134-4514	1	Pin, Roll, 3Mm X 16Mm
34	134-0365	1	Connecting Rod Assembly	82	134-6225-03	1	Back Plate, Tensioner
35	410069	2	Bearing-Axle, Front	83	134-6226	1	Pulley, Tensioner
36	134-0367	1	Rod-Selector, 3 Speed	84	111-0118	1	Screw-HSH
37	134-0352	1	V-Belt	85	09438	1	Nut-Nyloc
38	134-0377	1	Jack Shaft Bracket	86	111-7679	1	Washer-Plain
39	134-2889	4	"bearing, Ball 12Mm"	87	09474	1	Washer-Spring
45	111-8670	1	Axle- Support, Rear	88	ZBH1F025U	1	Bolt-HH

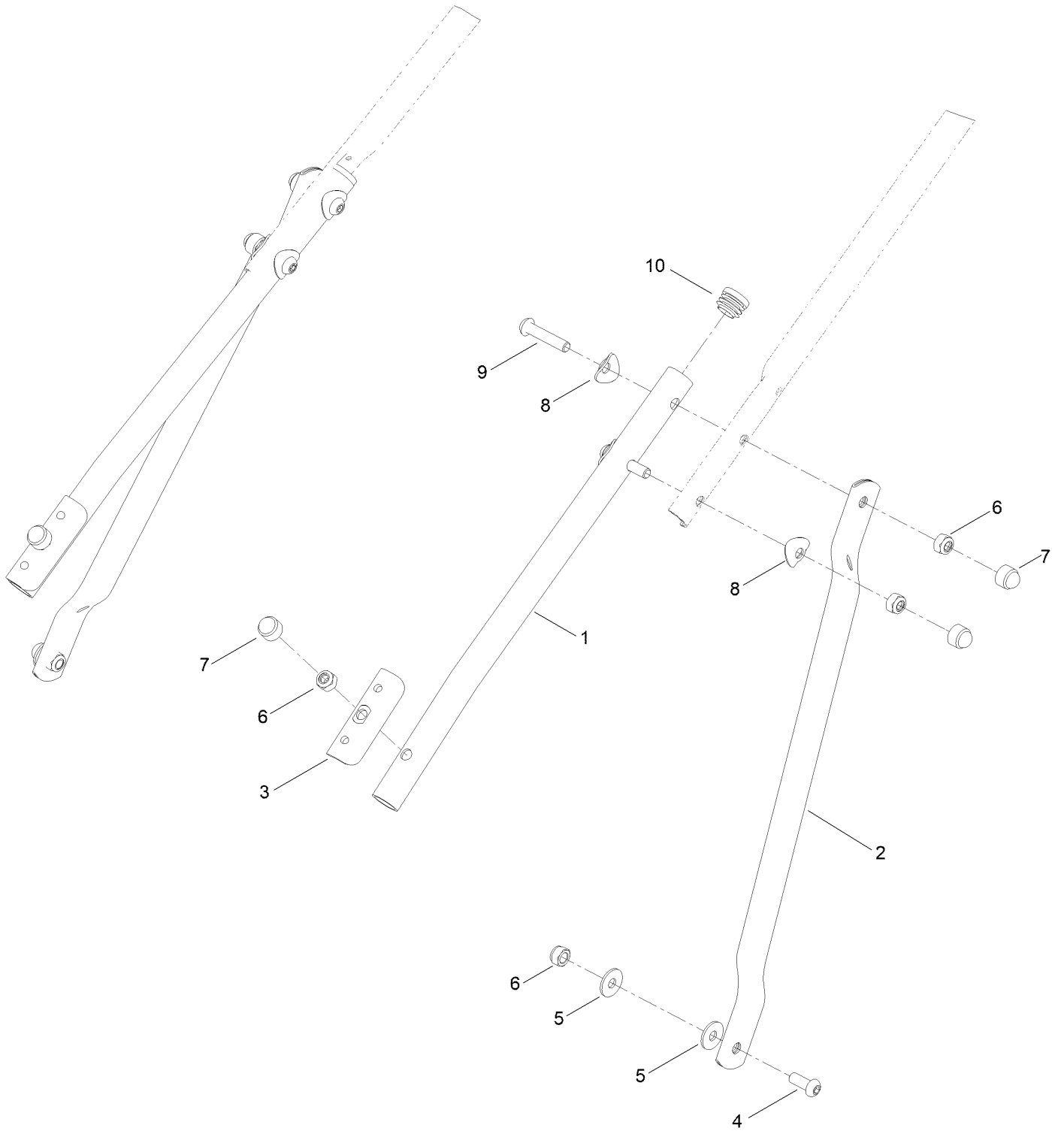
Handle Assembly



Handle Assembly (continued)

<i>Ref.</i>	<i>Part Number</i>	<i>Qty.</i>	<i>Description</i>	<i>Ref.</i>	<i>Part Number</i>	<i>Qty.</i>	<i>Description</i>
5	134-2722-03	1	Handlebar-Upper	31	134-2298	1	Cable
7	111-9381-03	1	Lever-Clutch, Gearbox	32	111-8962	1	Clutch-Cable, 3 Speed
12	340182	1	Pin-Pivot	33	134-2660	1	Anchor Plate Welded
13	111-8990	1	Clamp-Bar	34	134-2662	1	BBC Linkage Assembly
15	09687	1	Screw	35	0201086	1	Washer-Starlock
17	410037	2	Guide-Cable	36	09379	2	Bolt-Coach
20	134-2608	1	Arm-Bail	37	04020	2	Grip-Fix
21	111-8903	1	Lever-Catch	38	09441	2	Nut-Hex, NI
22	134-3190	1	Latch-Button	47	134-3208	1	Starlock-Domed
23	111-8908	1	Latch-Pin	49	111-8696	1	Clip-Conduit, Twin
24	111-8906	1	Lever-Bail, Spring	50	137-3088	1	Nut-Hex
25	111-0718	1	Fastener-Starlock, Push-On	53	05010	1	Bolt
26	134-2027	1	Clip-Tree	54	09780	1	Setscrew
27	134-2284	1	Lever-Bail Arm, Spring	55	09438	1	Nut-Nyloc
30	111-8959	1	Throttle-Control	56	HY3966	1	Tie-Cable

Lower Handle Assembly No. 134-3586



Lower Handle Assembly No. 134-3586 (continued)

<i>Ref.</i>	<i>Part Number</i>	<i>Qty.</i>	<i>Description</i>	<i>Ref.</i>	<i>Part Number</i>	<i>Qty.</i>	<i>Description</i>
1	134-2499-03	2	Handlebar Lower (Prostripe)	6	09441	6	Nut-Hex, NI
2	134-2900-03	2	Prostripe Brace Handlebar	7	HY234051	6	Cap-Nut
3	340028	2	Plate-Clamp, Handlebar	8	137-3009	6	Washer-Cup
4	ZHS1H020U	2	Screw-HSBH	9	134-3821	4	Screw-Hsbw
5	09267	4	Washer-Plain	10	300160	2	Plug-Tube

Attachments and Accessories

For 02657 ProStripe 560 Mower

Product Name	Model/Part
Groomer Brush Kit, ProStripe 560 Mower	134-3722
Jet, Main #72	134-1871

Notes:



Count on it.