



Count on it.

Parts Catalog

Groundsmaster® 5910

Rotary Mower

Model No. 31699—Serial No. 41000000 and Up



Ordering Replacement Parts

To order replacement parts, please supply the part number, the quantity, and the description of each part desired.

Understanding Reference Numbers

Each identified part in an illustration has a reference number. The reference number for a part also appears in the parts list, along with other information about the part.

This catalog uses two special reference number formats, one to indicate parts in a service assembly and another to indicate the quantity of a given part in an illustration.

Service Assembly Reference Numbers

Parts in service assemblies have reference numbers in the form a:b. The a represents the reference number of the entire service assembly and the b represents a sequential number unique to each part within the service assembly.

For example, a wheel assembly might be identified by reference number 6, the tire by 6:1, the valve by 6:2, and the wheel by 6:3. When you order the assembly identified by reference number 6, you receive all parts identified by reference numbers 6:1, 6:2, and 6:3. However, you may also order any part individually. Reference numbers of this type appear in illustration and in parts lists.

Reference Numbers Indicating Quantity

In an illustration, if a reference number indicates more than one part, the reference number has the form nX y. The n represents the quantity of the part, the X is the multiplication symbol, and the y represents the reference number.

For example, in an illustration, the reference number 2X 37 means that two of the parts identified by reference number 37 are indicated.

Contents

| | |
|---|----|
| Frame Assembly | 6 |
| Rear Axle Assembly | 8 |
| Axle Assembly No. 114-5982-01 | 10 |
| Tie Rod Assembly No. 110-6049-03 | 11 |
| Engine and Mount Assembly | 12 |
| Alternator Assembly | 14 |
| Hydraulic Cooling Assembly | 16 |
| Radiator and Cooling Fan Assembly | 18 |
| Air Cleaner Assembly | 20 |
| Fuel System Assembly | 22 |
| Traction Hydraulic Assembly | 24 |
| Piston Pump Assembly No. 130-9150 | 26 |
| Hydraulic Gear Pump Assembly No. 130-2520 | 28 |
| Traction Valve Assembly | 30 |
| Hydraulic Traction Valve Manifold Assembly No. 137-5623 | 32 |
| Hydraulic Traction Motors Assembly | 34 |
| Hydraulic Motor Assembly No. 125-5391 | 36 |
| Hydraulic Motor Assembly No. 125-5434 | 38 |
| Hydraulic Traction Assembly | 40 |
| Hydraulic Motor Assembly No. 132-1425 | 42 |
| Hydraulic Tank Assembly | 44 |
| Hydraulic Cutting Circuit Assembly | 46 |
| Center Cutting Deck Drive Valve Assembly | 48 |
| Hydraulic Manifold Assembly No. 132-1394 | 49 |
| LH Cutting Deck Drive Valve Assembly | 50 |
| Hydraulic Manifold Assembly No. 132-1395 | 51 |
| RH Cutting Deck Drive Valve Assembly | 52 |
| Hydraulic Manifold Assembly No. 132-1396 | 53 |
| Hydraulic Motor Assembly No. 125-5392 | 54 |
| Hydraulic Steering/Lift Circuit Assembly | 56 |
| Steering/Lift Valve Assembly No. 137-5626 | 58 |
| Hydraulic Steering/Lift Manifold Assembly No. 137-5625 | 60 |
| Hydraulic Cylinder Assembly No. 114-4831 | 62 |
| Hydraulic Cylinder Assembly No. 114-4830 | 63 |
| Hydraulic Cylinder Assembly No. 114-5685 | 64 |
| Manual Parking Brake Manifold Assembly No. 132-1378 | 66 |
| Hydraulic Parking Brake Manifold Assembly No. 132-1399 | 67 |
| Hydraulic Steering Assembly | 68 |
| Steering Valve Assembly No. 132-6256 | 70 |
| Hydraulic Cylinder Assembly No. 132-1308 | 72 |
| Hydraulic Filter Manifold Assembly | 73 |
| Side Panel and Bumper Assembly | 74 |
| Hood Assembly | 76 |
| Center Front Deck Connection Assembly | 78 |
| LH Front Lift Arm Assembly No. 138-6368 | 80 |
| RH Front Lift Arm Assembly No. 138-6369 | 82 |
| Center Front and Winglet Deck Assembly | 84 |
| Center Front Deck and Decal Assembly No. 130-9201 | 85 |
| Right Front Deck and Decal Assembly No. 130-9218 | 86 |
| Left Front Deck and Decal Assembly No. 130-9210 | 87 |
| Center Deck Belt, Pulley and Spindle Assembly | 88 |
| Single Driving Spindle Assembly No. 139-1034 | 90 |
| Double Driven Spindle Assembly No. 139-1033 | 92 |
| High Driven Spindle Assembly No. 139-1032 | 94 |

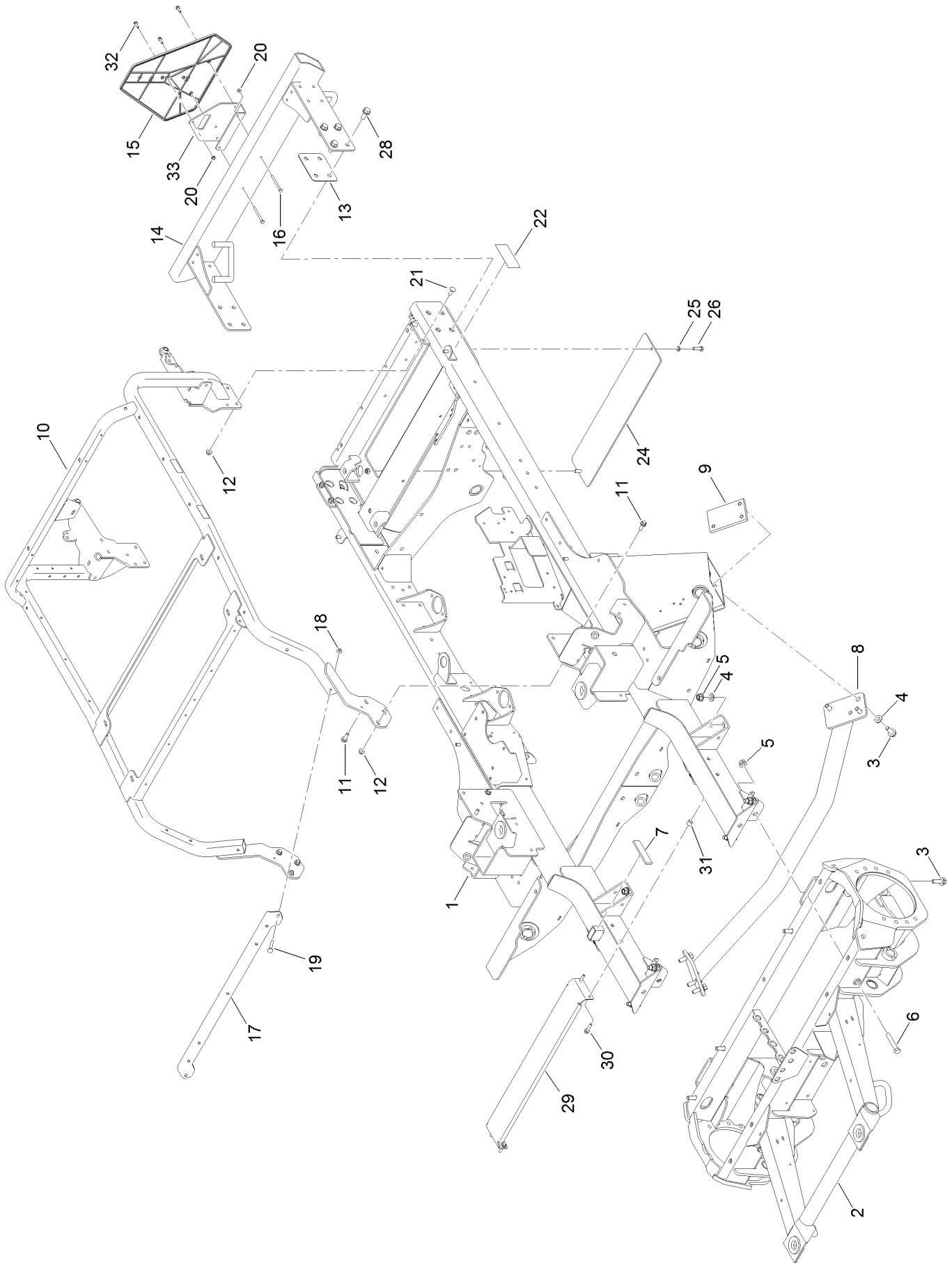
Contents (continued)

| | |
|--|-----|
| Center Deck Roller, Skid and Caster Wheel Assembly | 96 |
| 10 Inch Wheel Assembly No. 93-4240 | 97 |
| Center Front Deck Blade Assembly | 98 |
| Center Front Deck Belt Cover Assembly | 99 |
| Center Front Deck Chamber and Discharge Assembly | 100 |
| Center Front Deck Transport Damper Assembly | 101 |
| Left Hand Deck Connection Assembly | 102 |
| Left Hand Deck Belt, Pulley and Spindle Assembly | 104 |
| Left Hand Deck Decal Assembly No. 130-9271 | 106 |
| Left Hand Deck Skid and Caster Wheel Assembly | 107 |
| Left Hand Deck Blade Assembly | 108 |
| Left Hand Deck Belt Cover Assembly | 109 |
| Left Hand Deck Chamber Assembly | 110 |
| Left Hand Deck Stop Assembly | 111 |
| Left Hand Deck Impact Arm and Limit Switch Assembly | 112 |
| Impact Damper Assembly No. 137-1648 | 114 |
| Left Hand Deck Transport Lock Assembly | 116 |
| Right Hand Deck Connection Assembly | 118 |
| Right Hand Deck Belt, Pulley and Spindle Assembly | 120 |
| Right Hand Deck Decal Assembly No. 130-9241 | 122 |
| Right Hand Deck Skid and Caster Wheel Assembly | 123 |
| Right Hand Deck Blade Assembly | 124 |
| Right Hand Deck Belt Cover Assembly | 125 |
| Right Hand Deck Chamber Assembly | 126 |
| Right Hand Deck Stop Assembly | 127 |
| Right Hand Deck Impact Arm and Limit Switch Assembly | 128 |
| Right Hand Deck Transport Lock Assembly | 130 |
| Platform Assembly | 132 |
| Seat Mount Assembly | 134 |
| Air Ride Seat Suspension Assembly No. 130-2702 | 136 |
| Control Console Assembly | 138 |
| Traction Pedal Assembly | 140 |
| Steering Column Assembly | 142 |
| Steering Column Assembly No. 132-6230 | 143 |
| Front Electrical Component Assembly | 144 |
| Mid Electrical Component Assembly | 145 |
| Rear Electrical Component Assembly | 146 |
| Battery Cable Routing Assembly | 148 |
| Wire Harness Assembly | 150 |
| Platform Wire Harness Assembly No. 122-1964 | 152 |
| Rear Wire Harness Assembly No. 122-1963 | 154 |
| Engine Wire Harness Assembly No. 122-1556 | 156 |
| Cab Mounting Assembly | 158 |
| Cloth Premium Seat Assembly No. 117-9429 | 160 |
| Light Mount Kit Assembly No. 140-6698 | 162 |
| A/C Compressor Mount and Cab Fluids Assembly | 164 |
| Cab Frame, Mirror and Decal Assembly | 166 |
| Windshield Wiper, Filter and Air Conditioning Assembly | 168 |
| Air Conditioning Duct Assembly No. 132-3468 | 170 |
| Window and Door Assembly | 172 |
| Left Hand Door Assembly | 174 |
| Right Hand Door Assembly | 176 |
| Left Side Hose Assembly | 178 |
| Pre-Filter Screen Assembly | 180 |

Contents (continued)

| | |
|---|-----|
| Right Side Hose Assembly | 182 |
| Roof and Headliner Assembly | 184 |
| Headliner Wire Harness and Control Assembly | 186 |
| Wire Harness Assembly No. 122-2129 | 188 |
| Mixing Box Mounting Bracket and Water Tray Assembly | 190 |
| Blower Fan and Evaporator Core Assembly | 192 |
| Heat/Air Conditioner Housing Assembly | 194 |
| Air Diverter and Expansion Valve Assembly | 196 |
| Air Diverter Assembly No. 121-8369 | 198 |
| Cylinder Block Assembly | 200 |
| Gear Housing Assembly | 201 |
| Flywheel Housing and Oil Sump Assembly | 202 |
| Camshaft and Driving Gear Assembly | 203 |
| Suction Manifold Assembly | 204 |
| Exhaust Manifold Assembly | 205 |
| Cylinder Head and Cover Assembly | 206 |
| Diesel Particulate Filter Assembly | 208 |
| Turbine Assembly | 210 |
| Crankshaft and Piston Assembly | 211 |
| Lubrication and Oil System Assembly | 212 |
| Lubrication Oil Pipe Assembly | 213 |
| Cooling Water System Assembly | 214 |
| Fuel Supply Pump Assembly | 215 |
| Fuel Injection Valve Assembly | 216 |
| Fuel Pipe Assembly | 217 |
| Starter Motor Assembly | 218 |
| Generator Assembly | 219 |
| Electronic Control Unit Assembly | 220 |
| Electric Parts Assembly | 221 |
| Gasket Set | 222 |
| Attachments and Accessories | 224 |

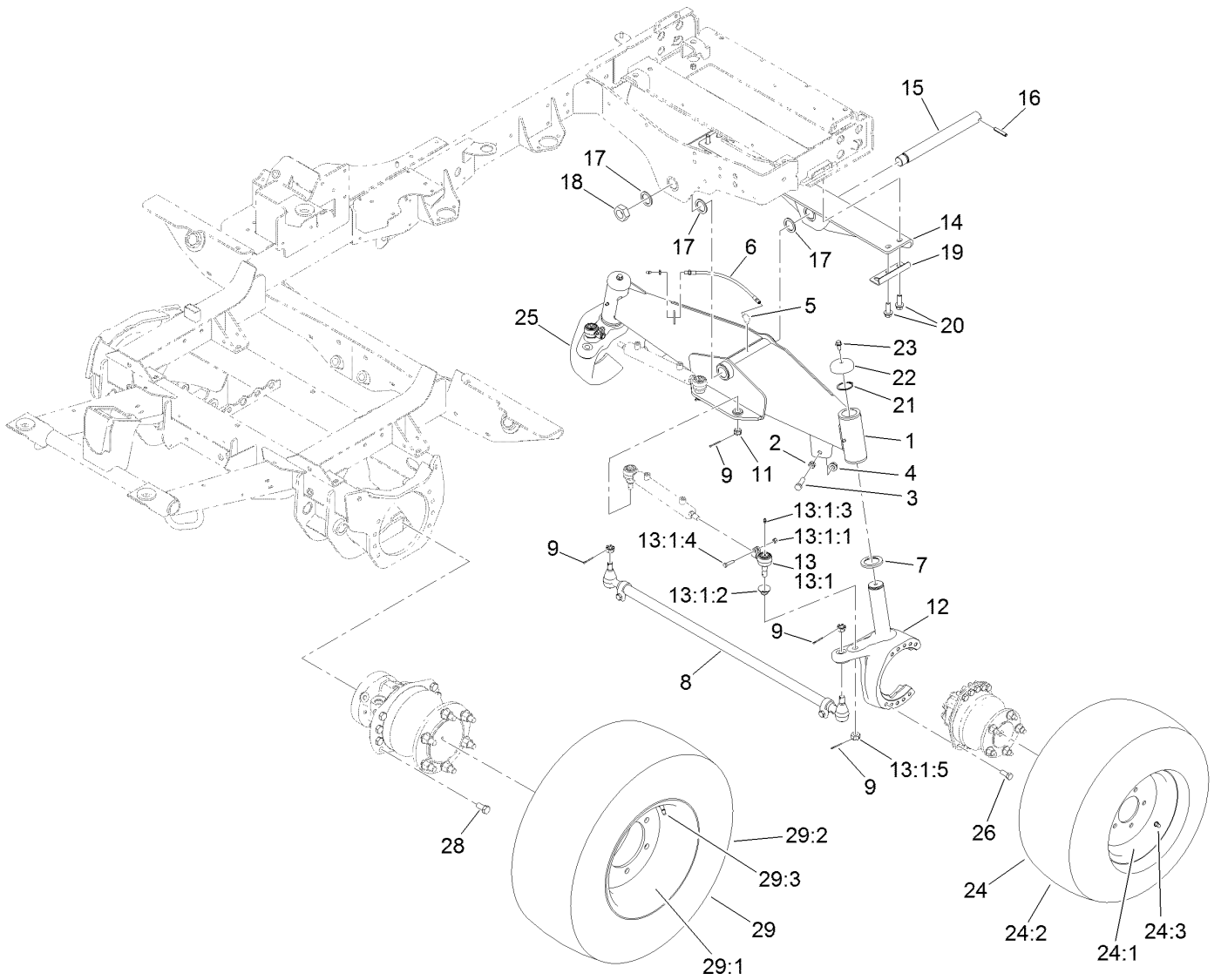
Frame Assembly



Frame Assembly (continued)

| <i>Ref.</i> | <i>Part Number</i> | <i>Qty.</i> | <i>Description</i> | <i>Ref.</i> | <i>Part Number</i> | <i>Qty.</i> | <i>Description</i> |
|-------------|--------------------|-------------|-----------------------------|-------------|--------------------|-------------|-----------------------|
| 1 | 130-2450-01 | 1 | Frame | 16 | 321-14 | 2 | Screw-HH |
| 2 | 137-5608-01 | 1 | Frame-Front | 17 | 130-2570-0P | 1 | Bracket-Mount, Fuse |
| 3 | 100-6116 | 14 | Screw-HHF | 18 | 104-8300 | 2 | Nut-HF, NI |
| 4 | 3256-26 | 14 | Washer-Flat | 19 | 3230-7 | 2 | Bolt-CARR |
| 5 | 99-5107 | 10 | Nut-Lock | 20 | 104-7201 | 5 | Nut-HF, NI |
| 6 | 325-12 | 2 | Screw-HH | 21 | 3231-2 | 4 | Bolt-CARR |
| 7 | 115-5465 | 1 | Seal-Trim | 22 | 108-8014 | 4 | Tape-Reflective (Red) |
| 8 | 114-5969-01 | 1 | Crossmember | 24 | 136-4429-01 | 1 | Cover-Frame |
| 9 | 114-5990 | 2 | Plate-Tapped | 25 | 3253-21 | 2 | Washer-Lock |
| 10 | 132-1387 | 1 | Cooler Mount ASM | 26 | 323-7 | 2 | Screw-HH |
| 11 | 3234-42 | 8 | Screw-HHF | 28 | 3234-38 | 8 | Screw-HHF |
| 12 | 104-8301 | 6 | Nut-HF, NI | 29 | 132-1401-0P | 1 | Strap-Support, Tank |
| 13 | 115-5458-0P | 1 | Shim-Bumper | 30 | 3234-36 | 4 | Screw-HHF |
| 14 | 131-2310-03 | 1 | Bumper | 31 | 107-3677 | 2 | Spacer-Tube |
| 15 | 92-7760 | 1 | Emblem-Vehicle, Slow Moving | 32 | 115-5103 | 3 | Screw-HHF |
| | | | | 33 | 140-6842-03 | 1 | Mount-Smv |

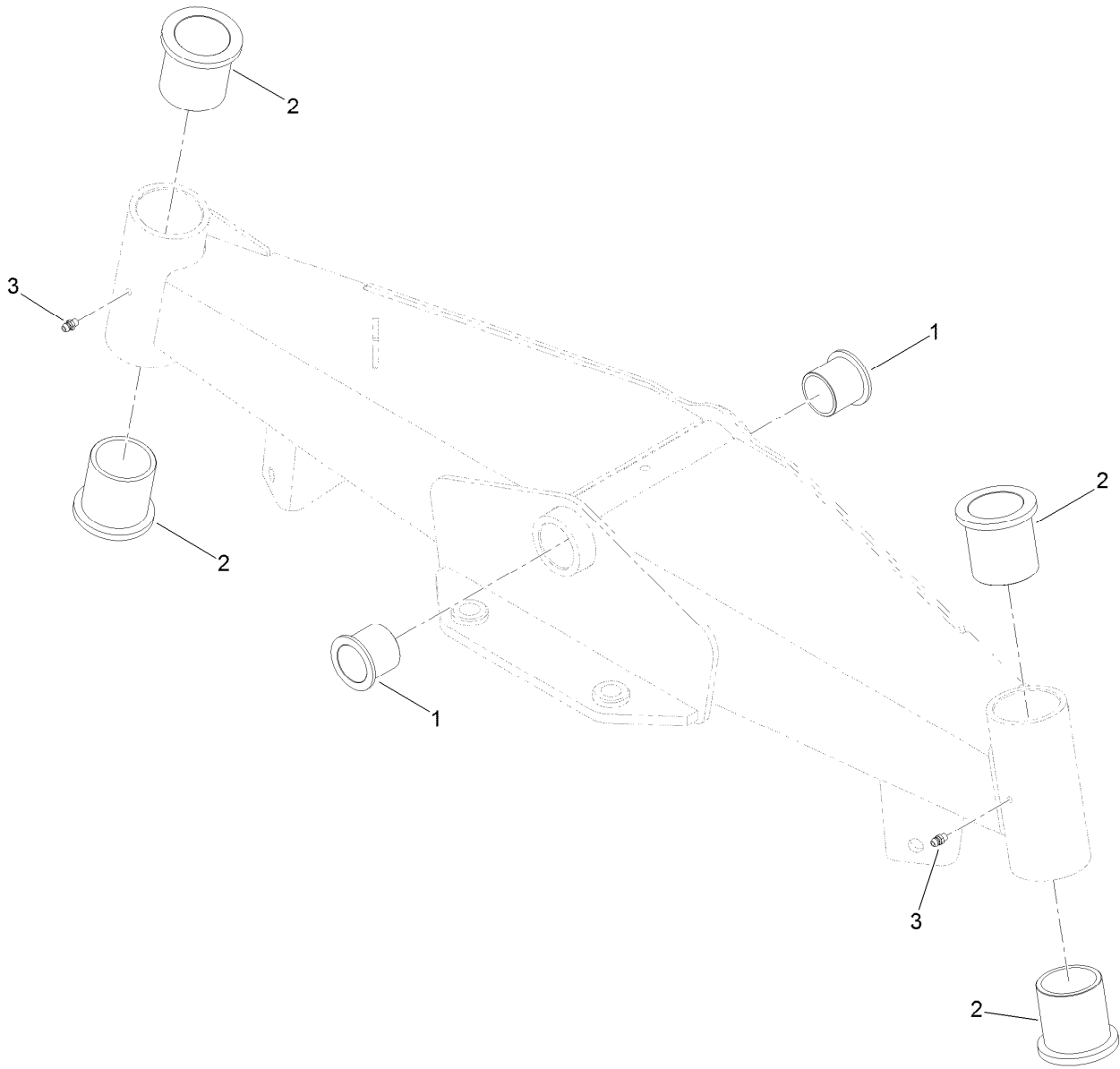
Rear Axle Assembly



Rear Axle Assembly (continued)

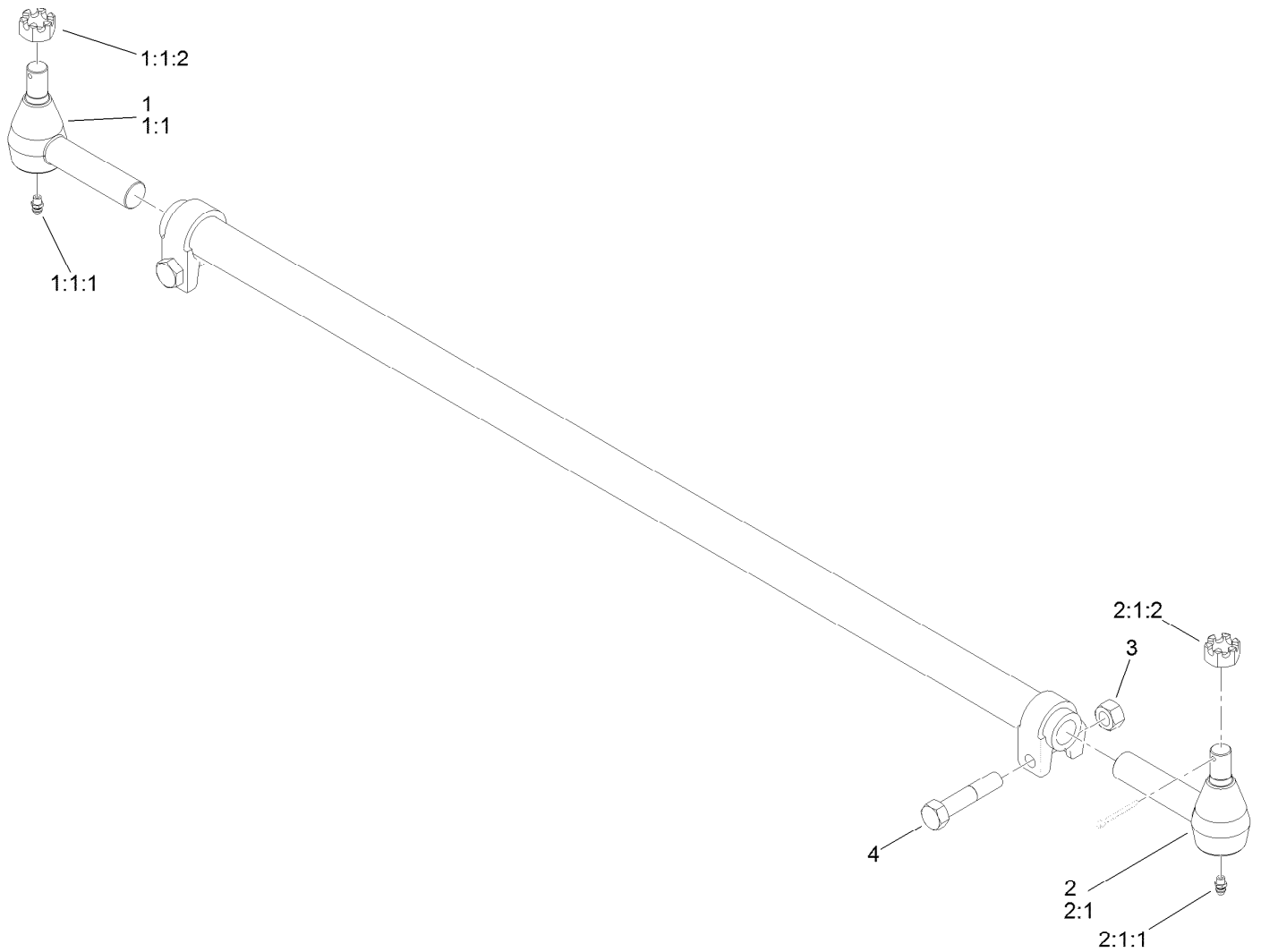
| <i>Ref.</i> | <i>Part Number</i> | <i>Qty.</i> | <i>Description</i> | <i>Ref.</i> | <i>Part Number</i> | <i>Qty.</i> | <i>Description</i> |
|-------------|--------------------|-------------|-------------------------|-------------|--------------------|-------------|--------------------|
| 1 | 114-5982-01 | 1 | Axle ASM | 16 | 32121-110 | 1 | Pin-Roll, Slotted |
| 2 | 3218-5 | 2 | Nut-Jam | 17 | 98-1452 | 3 | Washer-Thrust |
| 3 | 325-7 | 2 | Screw-HH | 18 | 3296-68 | 1 | Nut-Lock, NI |
| 4 | 99-5107 | 2 | Nut-Lock | 19 | 130-9033-01 | 2 | Guard-Hose |
| 5 | 2811-7 | 1 | Elbow | 20 | 100-6116 | 4 | Screw-HHF |
| 6 | 114-5586 | 1 | Hose ASM (With Fitting) | 21 | 100-4196 | 2 | Ring-Retaining |
| 7 | 100-2508 | 2 | Washer-Thrust | 22 | 100-3362 | 2 | Cap-Spindle |
| 8 | 110-6049-03 | 1 | Tie Rod ASM | 23 | 3234-12 | 2 | Screw-HHF |
| 9 | 3272-12 | 6 | Pin-Cotter | 24 | 127-3509 | 2 | Wheel And Tire ASM |
| 11 | 32136-13 | 2 | Nut-SHH | 24:1 | 125-5379 | 1 | Wheel |
| 12 | 130-9043-01 | 1 | Spindle-Steer, LH | 24:2 | 117-2901 | 1 | Tire |
| 13 | 106-6895-03 | 2 | Ball Joint ASM | 24:3 | 5108 | 1 | Valve |
| 13:1 | | 1 | Joint-Ball ● | 25 | 130-9041-01 | 1 | Spindle-Steer, RH |
| 13:1:1 | 32136-13 | 1 | Nut-SHH | 26 | 325-5 | 20 | Screw-HH |
| 13:1:2 | 106-6896 | 1 | Seal | 28 | 327-3 | 16 | Screw-HH |
| 13:1:3 | 302-5 | 1 | Fitting-Grease | 29 | 131-2380 | 2 | Wheel And Tire ASM |
| 13:1:4 | 3210-7 | 1 | Screw-HH | 29:1 | 131-2381 | 1 | Wheel |
| 13:1:5 | 32152-5 | 1 | Nut-Hex | 29:2 | 131-2382 | 1 | Tire |
| 14 | 110-6033-01 | 1 | Support-Axle | 29:3 | 232-24 | 1 | Stem-Valve |
| 15 | 114-5970 | 1 | Shaft-Pivot | | | | |

● Not serviced separately



Axle Assembly No. 114-5982-01

| <i>Ref.</i> | <i>Part Number</i> | <i>Qty.</i> | <i>Description</i> |
|-------------|--------------------|-------------|--------------------|
| 1 | 69-6470 | 2 | Bushing-Caster |
| 2 | 100-2506 | 4 | Bushing-Castor |
| 3 | 302-5 | 2 | Fitting-Grease |

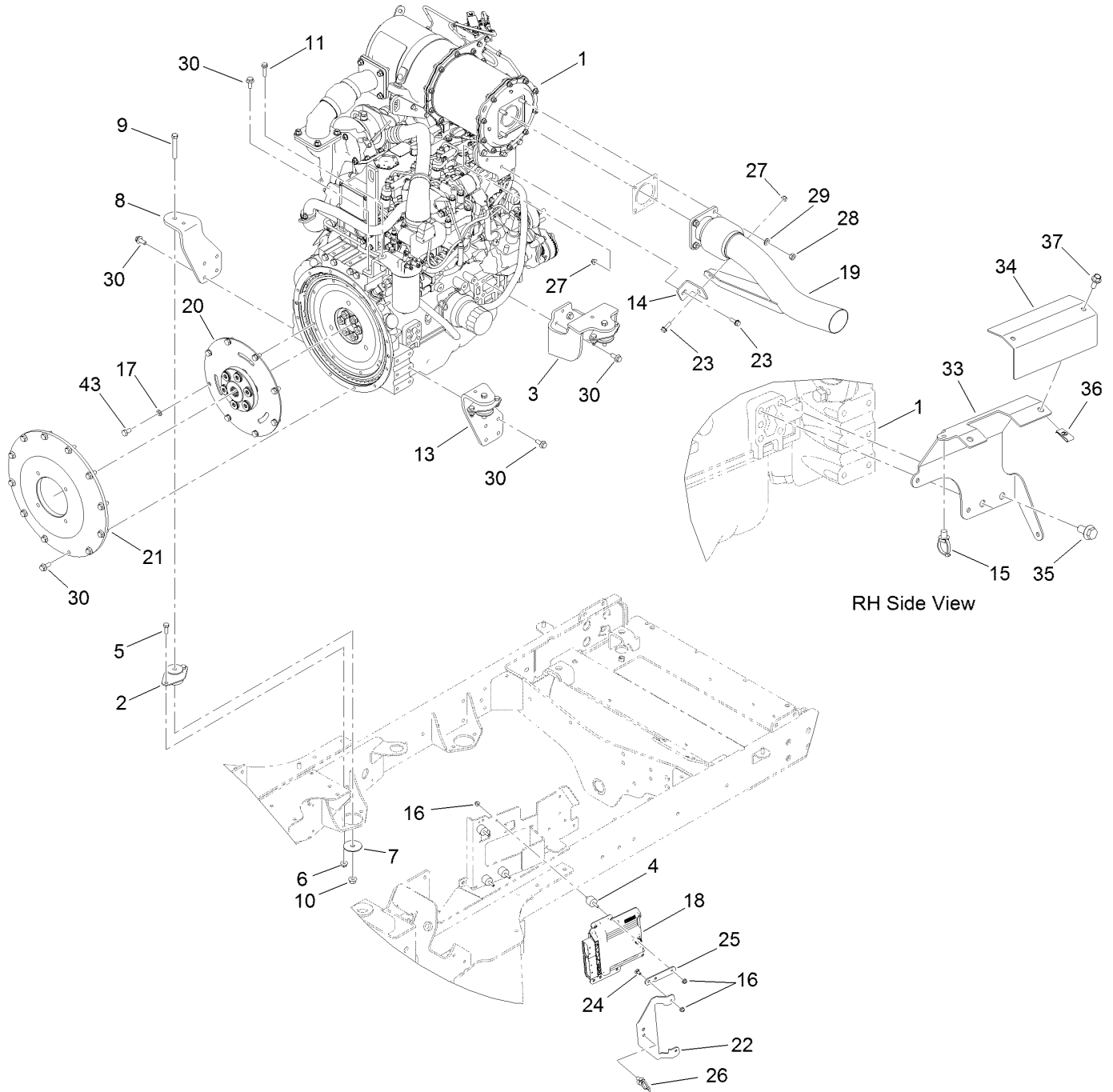


Tie Rod Assembly No. 110-6049-03

| Ref. | Part Number | Qty. | Description |
|-------|-------------|------|--------------------|
| 1 | 110-6141-03 | 1 | RH Tie Rod End ASM |
| 1:1 | | 1 | Rod End-Tie, RH ● |
| 1:1:1 | 302-5 | 1 | Fitting-Grease |
| 1:1:2 | 32136-2 | 1 | Nut-SHH |
| 2 | 110-6142-03 | 1 | LH Tie Rod End ASM |
| 2:1 | | 1 | Rod End-Tie, LH ● |
| 2:1:1 | 302-5 | 1 | Fitting-Grease |
| 2:1:2 | 32136-2 | 1 | Nut-SHH |
| 3 | 44-2200 | 1 | Screw-Blade |
| 4 | 32153-7 | 1 | Nut-Lock |

● Not serviced separately

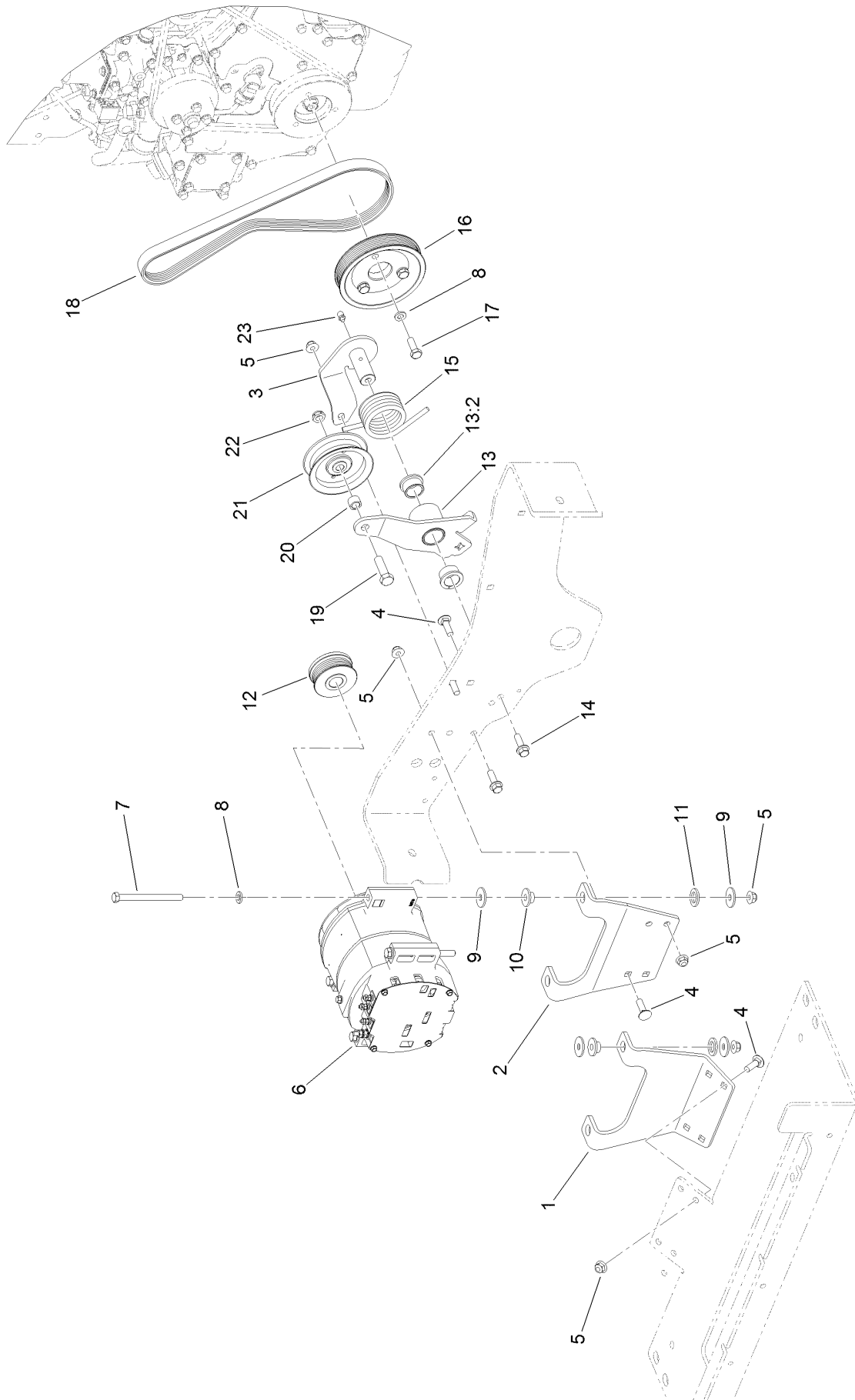
Engine and Mount Assembly



Engine and Mount Assembly (continued)

| <i>Ref.</i> | <i>Part Number</i> | <i>Qty.</i> | <i>Description</i> | <i>Ref.</i> | <i>Part Number</i> | <i>Qty.</i> | <i>Description</i> |
|-------------|--------------------|-------------|-------------------------|-------------|--------------------|-------------|--------------------------|
| 1 | 138-6921 | 1 | Engine-Yanmar | 20 | 130-2585 | 1 | Coupler-Flywheel |
| 2 | 136-4885 | 4 | Mount-Engine | 21 | 130-9095 | 1 | Cover-Flywheel |
| 3 | 130-2409-0P | 2 | Mount-Motor, Rear | 22 | 139-1027 | 1 | Plate-Retention, Harness |
| 4 | 132-1356 | 4 | Mount-Isolator | 23 | 3234-29 | 2 | Screw-HHF |
| 5 | 323-6 | 8 | Screw-HH | 24 | 3229-11 | 2 | Screw-CARR |
| 6 | 104-8301 | 8 | Nut-HF, NI | 25 | 139-1026 | 2 | Plate-Retention, Harness |
| 7 | 87-5100 | 4 | Washer-Snubbing | 26 | 32180-031 | 2 | Clip-Tree (W/Tie) |
| 8 | 130-2415-0P | 1 | Mount-Motor, RH Front | 27 | 104-8300 | 2 | Nut-HF, NI |
| 9 | 324-12 | 4 | Screw-HH | 28 | 33015-00 | 4 | Nut-Hex |
| 10 | 114-8417 | 4 | Nut-HF, NI | 29 | 33095-00 | 4 | Washer-Flat |
| 11 | 33104-030 | 2 | Screw-HHF | 30 | 33105-025 | 30 | Screw-HHF |
| 13 | 130-2414-0P | 1 | Mount-Motor, LH Front | 33 | 137-5505-0P | 1 | Mount-Shield |
| 14 | 130-2424 | 1 | Bracket-Exhaust | 34 | 137-5506-0P | 1 | Shield-Starter |
| 15 | 32180-030 | 1 | Clip-Tie | 35 | 33105-020 | 2 | Screw-HHF |
| 16 | 104-7201 | 10 | Nut-HF, NI | 36 | 3290-199 | 2 | Nut-Speed |
| 17 | 107-1413 | 8 | Washer-Hardened | 37 | 99-6810 | 2 | Screw-HHF |
| 18 | 121-5592 | 1 | Electronic Control Unit | 43 | 33115-020 | 8 | Screw-HH |
| 19 | 132-1628 | 1 | Pipe-Exhaust | | | | |

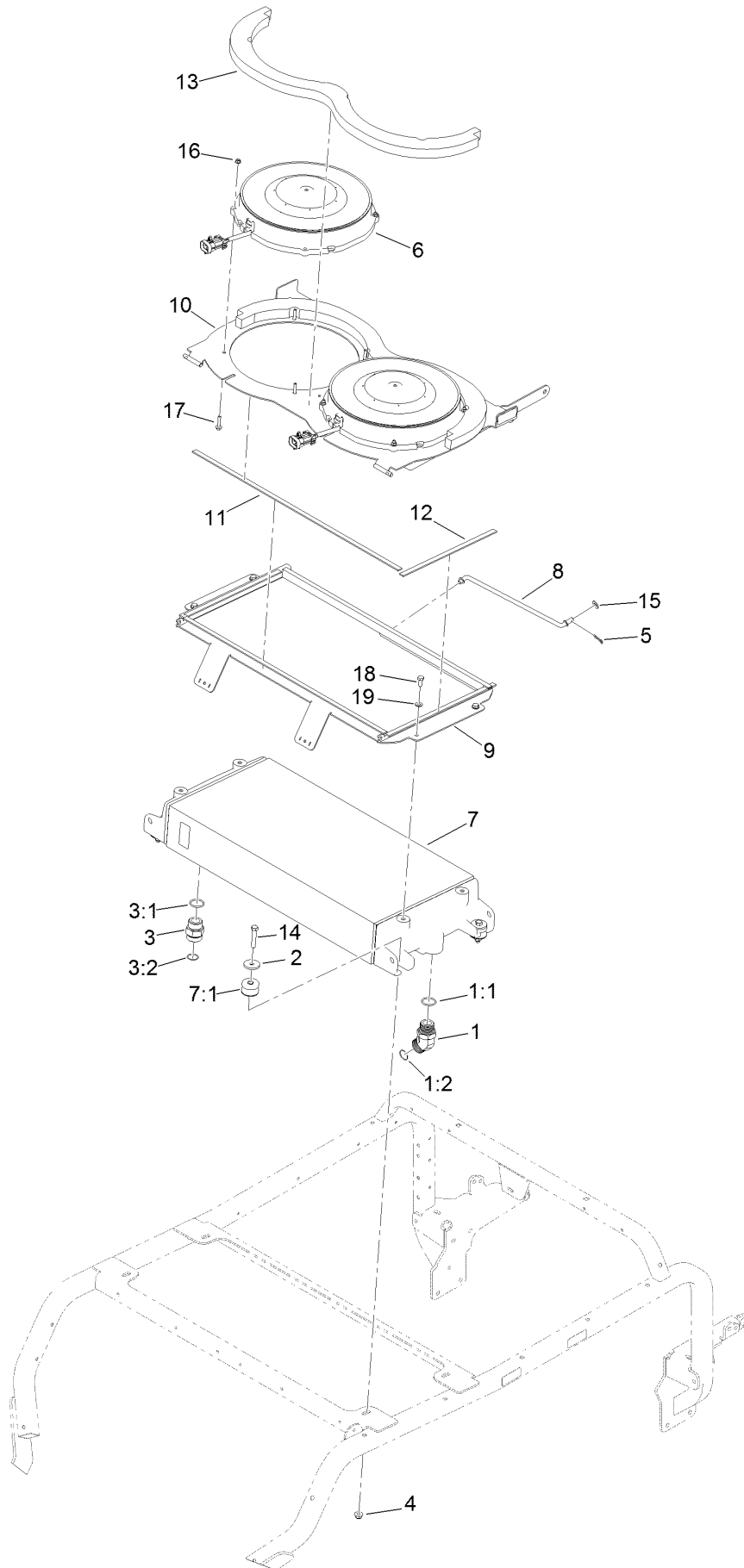
Alternator Assembly



Alternator Assembly (continued)

| <i>Ref.</i> | <i>Part Number</i> | <i>Qty.</i> | <i>Description</i> | <i>Ref.</i> | <i>Part Number</i> | <i>Qty.</i> | <i>Description</i> |
|-------------|--------------------|-------------|-------------------------|-------------|--------------------|-------------|---------------------------|
| 1 | 139-7797-0P | 1 | Mount-Alternator, Rear | 13 | 144-4160 | 1 | Idler Arm ASM |
| 2 | 139-7796-0P | 1 | Mount-Alternator, Front | 13:2 | 112-1626 | 2 | Bushing-Flange |
| 3 | 144-5156-03 | 1 | Support-Idler | 14 | 119-4061 | 2 | Screw-HHF |
| 4 | 3231-25 | 8 | Bolt-CARR | 15 | 140-3102 | 1 | Spring-Torsion |
| 5 | 104-8301 | 13 | Nut-HF, NI | 16 | 130-2403 | 1 | Pulley |
| 6 | 130-2491 | 1 | Alternator-24V | 17 | 33115-030 | 3 | Screw-HH |
| 7 | 323-23 | 4 | Screw-HH | 18 | 139-7848 | 1 | Belt-Poly V |
| 8 | 107-1413 | 7 | Washer-Hardened | 19 | 121-1524 | 1 | Screw-HH |
| 9 | 93-8806 | 8 | Washer-Hardened | 20 | 47-4420 | 1 | Spacer-Sleeve, Adjustment |
| 10 | 131-2313 | 4 | Bushing-Alternator | 21 | 135-5662 | 1 | Pulley-Idler, Flat |
| 11 | 131-2315 | 4 | Washer-Delrin | 22 | 3296-45 | 1 | Nut-Hex |
| 12 | 130-9162 | 1 | Pulley | 23 | 302-40 | 1 | Fitting-Grease, 90 DEG |

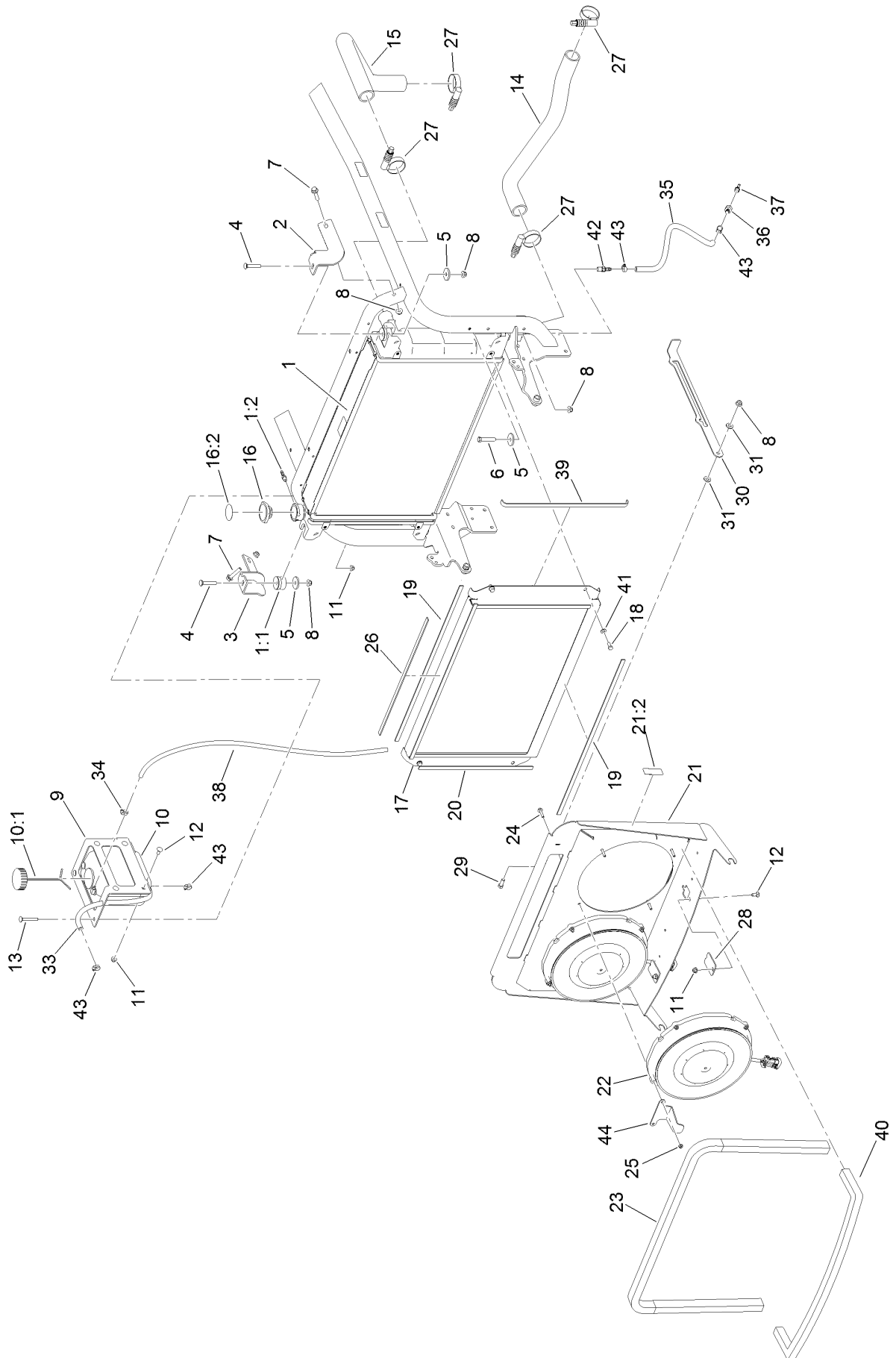
Hydraulic Cooling Assembly



Hydraulic Cooling Assembly (continued)

| <i>Ref.</i> | <i>Part Number</i> | <i>Qty.</i> | <i>Description</i> | <i>Ref.</i> | <i>Part Number</i> | <i>Qty.</i> | <i>Description</i> |
|-------------|--------------------|-------------|---------------------|-------------|--------------------|-------------|--------------------|
| 1 | 104-3509 | 1 | Fitting-HYD, 45 DEG | 8 | 130-9170 | 1 | Rod-Prop, Cooler |
| 1:1 | 237-146 | 1 | O-Ring | 9 | 130-9171-0P | 1 | Plate-Seal, Cooler |
| 1:2 | 340-65 | 1 | O-Ring | 10 | 132-1385 | 1 | Cooler Top ASM |
| 2 | 114-2120 | 4 | Washer | 11 | 130-9173 | 2 | Foam-Cooler, Long |
| 3 | 104-3797 | 1 | Fitting-Straight | 12 | 130-9174 | 2 | Foam-Cooler, Short |
| 3:1 | 237-146 | 1 | O-Ring | 13 | 130-9175 | 2 | Foam-Cooler, Top |
| 3:2 | 340-65 | 1 | O-Ring | 14 | 323-10 | 4 | Screw-HH |
| 4 | 104-8301 | 4 | Nut-HF, NI | 15 | 3256-24 | 1 | Washer-Flat |
| 5 | 119-1415 | 1 | Pin-Cotter, Locking | 16 | 104-7201 | 8 | Nut-HF, NI |
| 6 | 130-2531 | 2 | Fan | 17 | 3234-21 | 8 | Screw-HHF |
| 7 | 130-2573 | 1 | Oil Cooler ASM | 18 | 3210-2 | 4 | Screw-HH |
| 7:1 | 132-1361 | 4 | Mount-Isolator | 19 | 3256-23 | 4 | Washer-Plain |

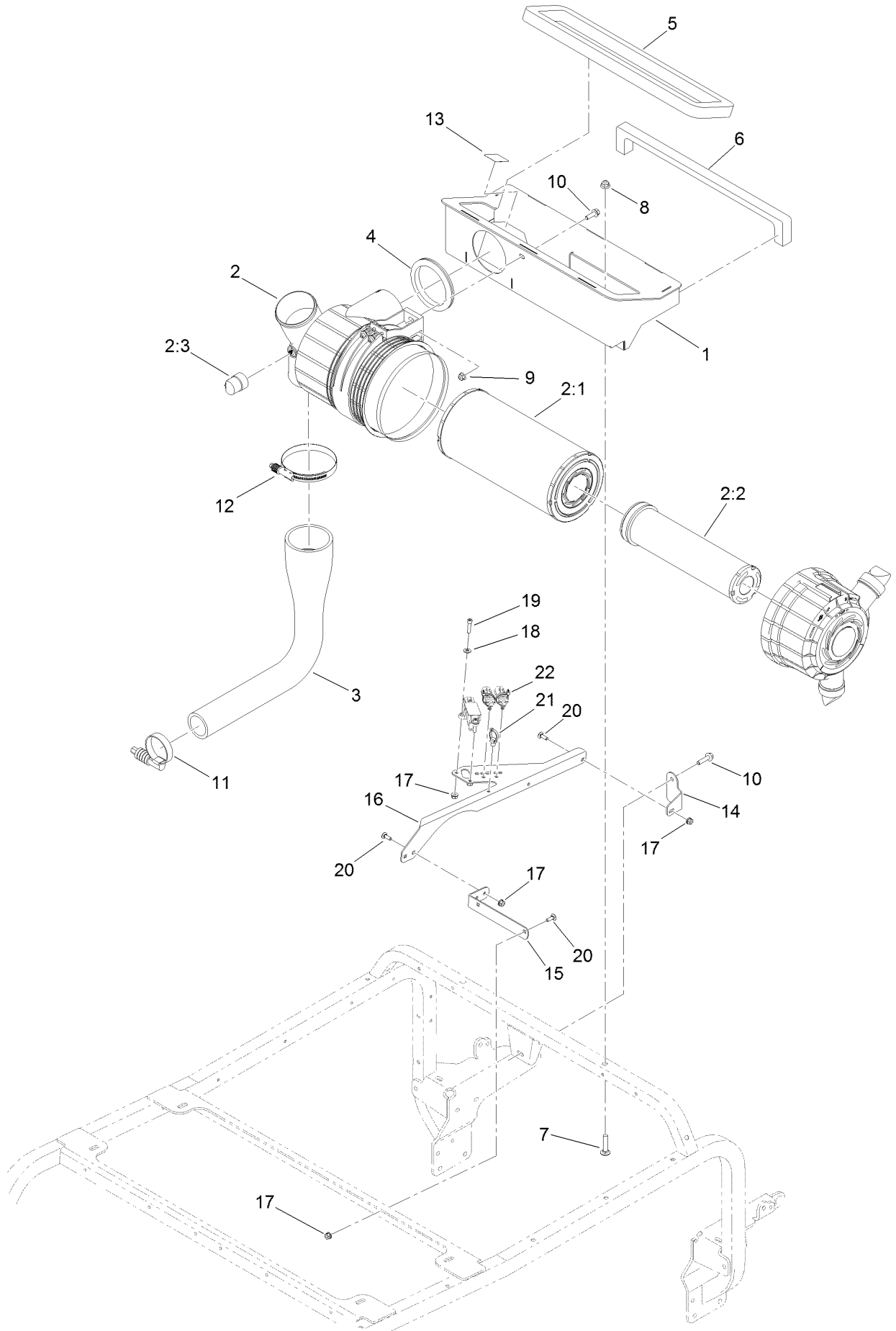
Radiator and Cooling Fan Assembly



Radiator and Cooling Fan Assembly (continued)

| <i>Ref.</i> | <i>Part Number</i> | <i>Qty.</i> | <i>Description</i> | <i>Ref.</i> | <i>Part Number</i> | <i>Qty.</i> | <i>Description</i> |
|-------------|--------------------|-------------|------------------------------------|-------------|--------------------|-------------|------------------------|
| 1 | 130-2572 | 1 | Radiator ASM | 21 | 132-1386 | 1 | Fan Shroud ASM |
| 1:1 | 132-1361 | 4 | Mount-Isolator | 21:2 | 117-4766 | 2 | Decal-Warning, Fan |
| 1:2 | 94-7220 | 1 | Fitting-Barb, Hose | 22 | 130-2531 | 2 | Fan |
| 2 | 127-3638-0P | 1 | Bracket-Mount, RH Radiator | 23 | 132-1347 | 1 | Radiator Foam ASM |
| 3 | 127-3631-0P | 1 | Bracket-Mount, LH Radiator | 24 | 3234-21 | 8 | Screw-HHF |
| 4 | 3231-6 | 2 | Screw-CARR | 25 | 104-7201 | 8 | Nut-HF, NI |
| 5 | 114-2120 | 4 | Washer | 26 | 130-9183 | 1 | Foam-Radiator, Top |
| 6 | 323-10 | 2 | Screw-HH | 27 | 121-7536 | 4 | Clamp-Torque, Constant |
| 7 | 3234-19 | 2 | Screw-HHF | 28 | 130-9020 | 2 | Plate-Cover |
| 8 | 104-8301 | 7 | Nut-HF, NI | 29 | 323-6 | 1 | Screw-HH |
| 9 | 130-2592-0P | 1 | Bracket-Tank, Radiator Overflow | 30 | 130-9021-0P | 1 | Rod-Prop, Radiator |
| 10 | 144-6219 | 1 | Reservoir-Coolant ASM | 31 | 66-2920 | 2 | Washer-Friction |
| 10:1 | 87-7050 | 1 | Cap-Reservoir | 33 | 110-4109 | 1 | Hose-Fuel |
| 11 | 104-8300 | 8 | Nut-HF, NI | 34 | 2412-108 | 1 | Clamp-Worm |
| 12 | 3230-1 | 6 | Bolt-CARR | 35 | 116-5087 | 1 | Hose-Fuel |
| 13 | 3230-7 | 2 | Bolt-CARR | 36 | 354-94 | 1 | Fitting-Female, Barbed |
| 14 | 130-9159 | 1 | Hose-Radiator, Lower | 37 | 93-5528 | 1 | Fitting-Cock, Drain |
| 15 | 127-3616 | 1 | Hose-Radiator, Upper | 38 | 115-2370 | 1 | Hose-Fuel |
| 16 | 131-2356 | 1 | Radiator Cap ASM | 39 | 131-2289 | 2 | Foam-Radiator |
| 16:2 | 117-3276 | 1 | Decal-Danger | 40 | 131-2322 | 1 | Foam-Shroud, Lower |
| 17 | 130-9185-0P | 1 | Plate-Seal, Radiator | 41 | 3256-23 | 4 | Washer-Plain |
| 18 | 3210-3 | 4 | Screw-HH | 42 | 108-0342 | 1 | Fitting-Straight |
| 19 | 130-9181 | 4 | Foam-Radiator, Long | 43 | 2412-36 | 4 | Clamp-Hose |
| 20 | 130-9182 | 2 | Foam-Radiator, Short | 44 | 144-4159-03 | 1 | Support-Screen |

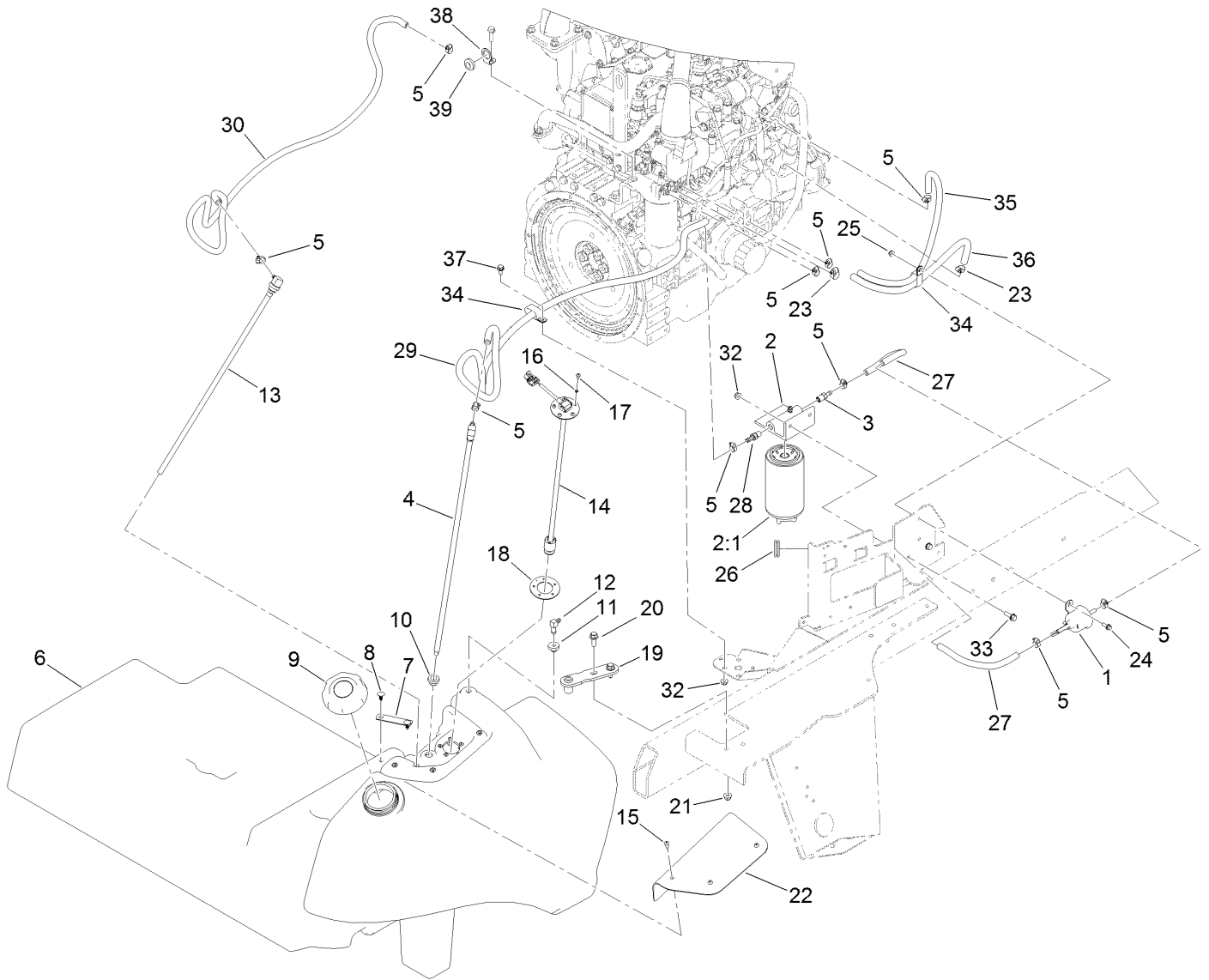
Air Cleaner Assembly



Air Cleaner Assembly (continued)

| <i>Ref.</i> | <i>Part Number</i> | <i>Qty.</i> | <i>Description</i> | <i>Ref.</i> | <i>Part Number</i> | <i>Qty.</i> | <i>Description</i> |
|-------------|--------------------|-------------|------------------------|-------------|--------------------|-------------|------------------------|
| 1 | 130-9176-0P | 1 | Airbox | 11 | AU110569 | 1 | Clamp-Torque, Constant |
| 2 | 130-9160 | 1 | Air Filter ASM | 12 | 131-2229 | 1 | Clamp-Hose |
| 2:1 | 108-3815 | 1 | Filter-Air | 13 | 115-8155 | 1 | Decal-Warning |
| 2:2 | 130-9070 | 1 | Element-Filter, Safety | 14 | 140-5839-0P | 1 | Mount-Sensors, Rear |
| 2:3 | 69-1940 | 1 | Indicator-Electrical | 15 | 140-5838-0P | 1 | Mount-Sensors, Front |
| 3 | 130-2512 | 1 | Hose-Intake, Air | 16 | 140-5842-0P | 1 | Mount-Sensors, Main |
| 4 | 130-2579 | 1 | Grommet | 17 | 32128-32 | 7 | Nut-HHF |
| 5 | 130-9179 | 1 | Foam-Airbox | 18 | 3256-2 | 2 | Washer-Flat |
| 6 | 130-9180 | 1 | Foam-Airbox, Rear | 19 | 3274-9 | 2 | Screw-HSH |
| 7 | 3231-5 | 2 | Screw-CARR | 20 | 1-807512 | 5 | Bolt-CARR |
| 8 | 104-8301 | 2 | Nut-HF, NI | 21 | 32180-030 | 1 | Clip-Tie |
| 9 | 104-8300 | 2 | Nut-HF, NI | 22 | 3290-378 | 2 | Tie-Cable |
| 10 | 132-3837 | 2 | Screw-HHF | | | | |

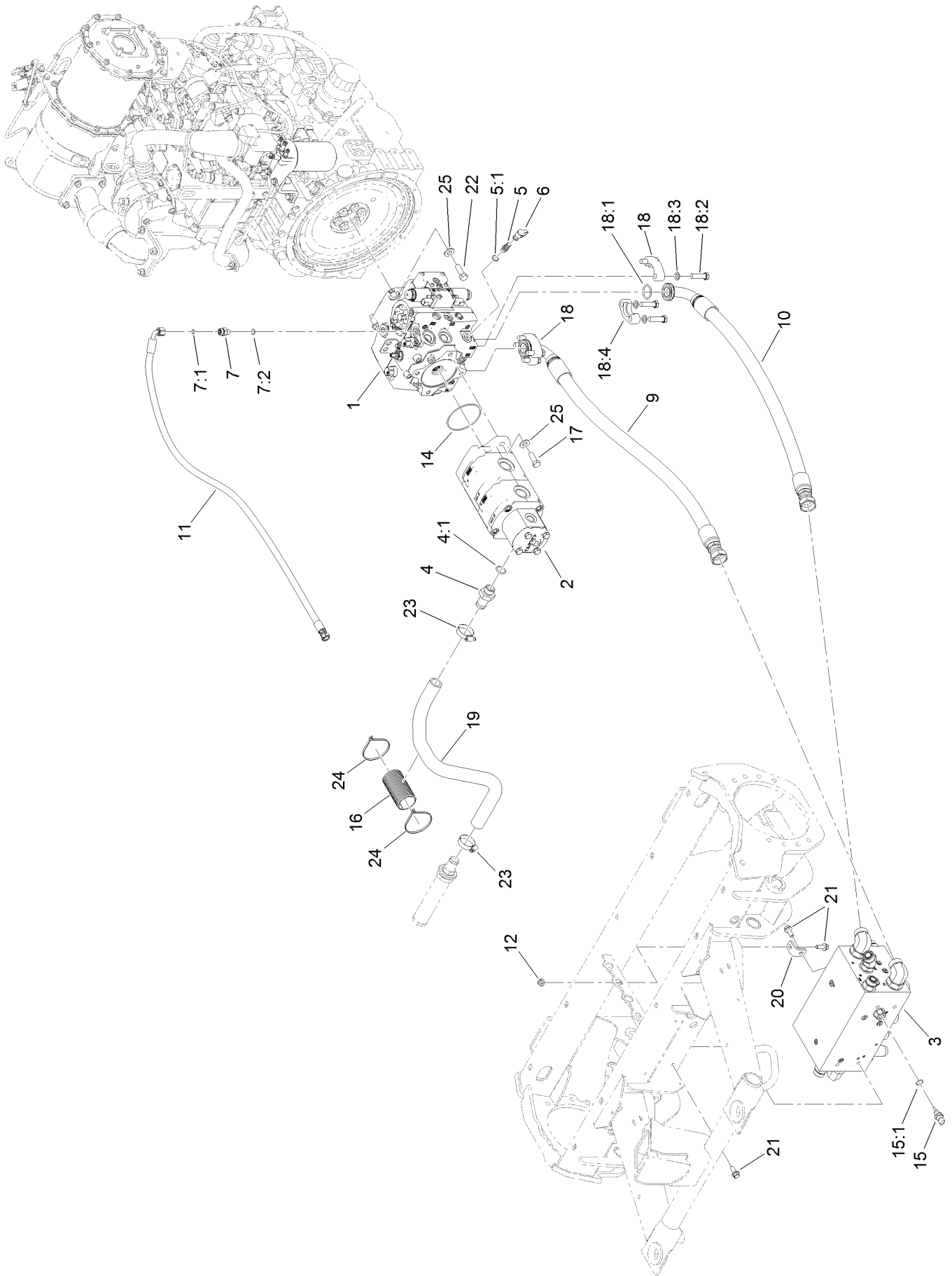
Fuel System Assembly



Fuel System Assembly (continued)

| <i>Ref.</i> | <i>Part Number</i> | <i>Qty.</i> | <i>Description</i> | <i>Ref.</i> | <i>Part Number</i> | <i>Qty.</i> | <i>Description</i> |
|-------------|--------------------|-------------|-----------------------------|-------------|--------------------|-------------|-----------------------|
| 1 | 121-5613 | 1 | Pump-Fuel, Electric | 20 | 3234-42 | 2 | Screw-HHF |
| 2 | 125-2914 | 1 | Filter-Separator | 21 | 104-8301 | 2 | Nut-HF, NI |
| 2:1 | 125-2915 | 1 | Filter-Fuel/Water Separator | 22 | 114-4939-03 | 1 | Cover-Fitting, Fuel |
| 3 | 353-783 | 1 | Fitting-STR | 23 | 2412-36 | 4 | Clamp-Hose |
| 4 | 119-7748 | 1 | Pipe-Stand, Fuel | 24 | 3234-4 | 2 | Screw-HHF |
| 5 | 2412-108 | 8 | Clamp-Worm | 25 | 104-7201 | 2 | Nut-HF, NI |
| 6 | 131-2284 | 1 | Fuel Tank ASM | 26 | 1-543286 | 1 | Grommet |
| 7 | 94-6821 | 2 | Clamp-Wire | 27 | 130-9191 | 2 | Hose-Fuel |
| 8 | 117-2382 | 4 | Plug-Plastic | 28 | 108-0342 | 1 | Fitting-Straight |
| 9 | 125-9171 | 1 | Cap-Fuel | 29 | 130-9143 | 1 | Hose-Fuel |
| 10 | 104-0790 | 2 | Bushing | 30 | 108-3282 | 1 | Hose-Fuel |
| 11 | 46-6560 | 1 | Bushing | 32 | 104-8300 | 3 | Nut-HF, NI |
| 12 | 46-6550 | 1 | Fitting-Elbow, 90 DEG | 33 | 3234-29 | 2 | Screw-HHF |
| 13 | 130-9149 | 1 | Pipe-Stand, Return | 34 | 120-1959 | 2 | Clamp |
| 14 | 121-1688 | 1 | Gauge-Fuel | 35 | 109-0308 | 1 | Hose-Fuel |
| 15 | 3274-31 | 3 | Screw-HSBH | 36 | 114-0832 | 1 | Hose-Fuel |
| 16 | 3253-15 | 5 | Washer-Lock | 37 | 3234-7 | 1 | Screw-HHF |
| 17 | 32122-24 | 5 | Screw-PTH | 38 | 132-1329 | 1 | Bracket-Hose Retainer |
| 18 | 121-1707 | 1 | Gasket-Fuel, Viton | 39 | 237-124 | 1 | Grommet |
| 19 | 114-0094 | 1 | Hold Down-Tank | | | | |

Traction Hydraulic Assembly

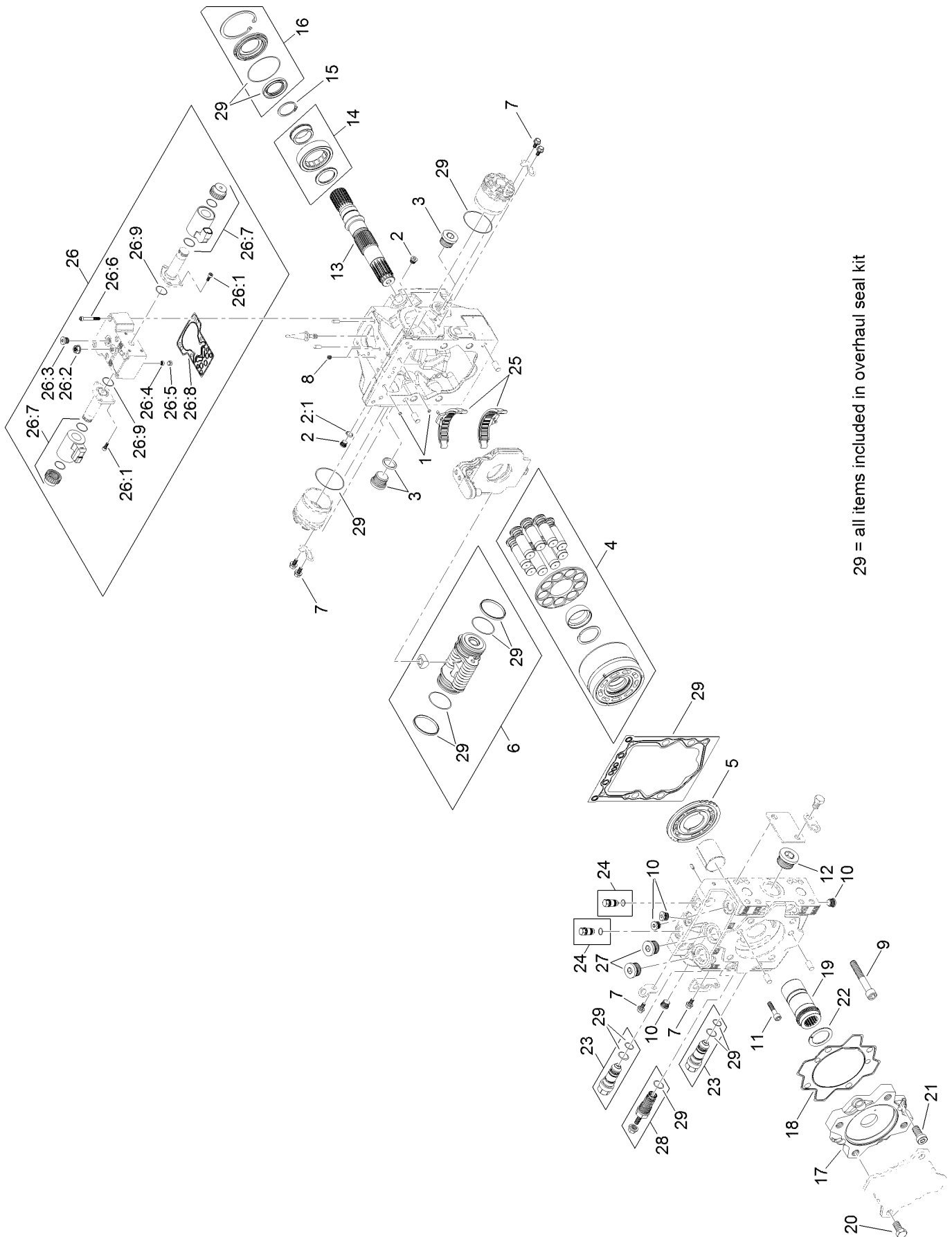


Traction Hydraulic Assembly (continued)

| <i>Ref.</i> | <i>Part Number</i> | <i>Qty.</i> | <i>Description</i> | <i>Ref.</i> | <i>Part Number</i> | <i>Qty.</i> | <i>Description</i> |
|-------------|--------------------|-------------|--------------------------------|-------------|--------------------|-------------|---------------------|
| 1 | 130-9150 | 1 | Hydraulic Piston Pump ASM | 15 | 110-8829 | 1 | Sender-Temperature |
| 2 | 130-2520 | 1 | Hydraulic Triple Gear Pump ASM | 15:1 | 237-42 | 1 | O-Ring |
| 3 | | 1 | Manifold-Traction ● | 16 | 115-5523 | 1 | Guard-Hose |
| 4 | 99-3017 | 1 | Fitting | 17 | 121-1525 | 2 | Screw-HH |
| 4:1 | 237-81 | 1 | O-Ring | 18 | 121-3903 | 2 | Flange Kit |
| 5 | 59-7410 | 3 | Fitting-Diagnostic | 18:1 | 121-3904 | 1 | O-Ring |
| 5:1 | 237-42 | 1 | O-Ring | 18:2 | 33116-045 | 4 | Screw-HH |
| 6 | 354-79 | 3 | Cap-Dust | 18:3 | 100-7336 | 4 | Washer |
| 7 | 340-2 | 1 | Fitting-Straight | 18:4 | | 2 | Flange ● |
| 7:1 | 237-22 | 1 | O-Ring | 19 | 130-2550 | 1 | Hose-Suction |
| 7:2 | 237-42 | 1 | O-Ring | 20 | 130-2571 | 1 | Tab-Mount, Manifold |
| 9 | 127-3450 | 1 | Hydraulic Hose ASM | 21 | 131-2220 | 6 | Screw-HHF |
| 10 | 127-3451 | 1 | Hydraulic Hose ASM | 22 | AU426-824 | 4 | Screw-HH |
| 11 | 127-3521 | 1 | Hydraulic Hose ASM | 23 | 2412-111 | 2 | Clamp-Hose, W/Liner |
| 12 | 104-8301 | 1 | Nut-HF, NI | 24 | 3290-379 | 2 | Tie-Cable |
| 14 | 107-9447 | 1 | O-Ring | 25 | 87-7270 | 6 | Washer-Thrust |

● Not serviced separately

Piston Pump Assembly No. 130-9150

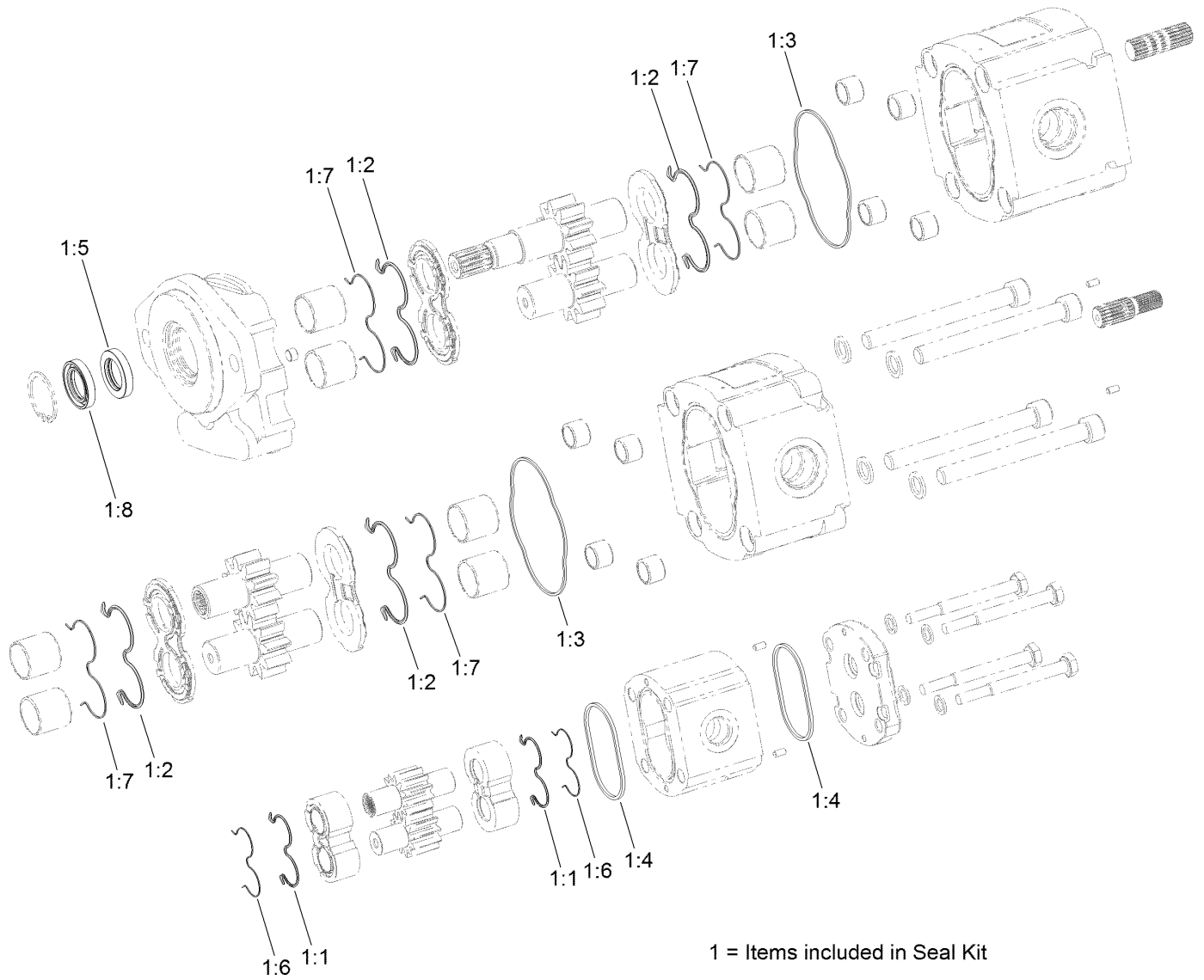


29 = all items included in overhaul seal kit

Piston Pump Assembly No. 130-9150 (continued)

| <i>Ref.</i> | <i>Part Number</i> | <i>Qty.</i> | <i>Description</i> | <i>Ref.</i> | <i>Part Number</i> | <i>Qty.</i> | <i>Description</i> |
|-------------|--------------------|-------------|-----------------------|-------------|--------------------|-------------|-----------------------------|
| 1 | 125-5266 | 2 | Screen | 20 | 125-5281 | 4 | Screw |
| 2 | 75-0170 | 2 | Plug-Thread, Straight | 21 | 125-5282 | 4 | Screw |
| 2:1 | 92-8777 | 1 | O-Ring | 22 | 125-5287 | 1 | Plate-Thrust |
| 3 | 69-3130 | 2 | Plug | 23 | 125-5291 | 2 | Valve-Relief, High Pressure |
| 4 | 125-5267 | 1 | Cylinder Block Kit | 24 | 125-5292 | 2 | Pressure Limiter Plug ASM |
| 5 | 125-5268 | 1 | Valve Plate, CW | 25 | 125-5293 | 1 | Swashplate Bearing Kit |
| 6 | 125-5271 | 1 | Servo Piston ASM | 26 | 125-5295 | 1 | Control Kit (12 Volt) |
| 7 | 125-5270 | 8 | Screw | 26:1 | 125-5272 | 6 | Screw |
| 8 | 125-5276 | 2 | Orifice (0.8) | 26:2 | 125-5273 | 1 | Nut-Seal |
| 9 | 125-5277 | 4 | Screw | 26:3 | 125-5302 | 1 | Plug |
| 10 | 125-5300 | 4 | Plug ASM | 26:4 | 125-5266 | 1 | Screen |
| 11 | 125-5275 | 2 | Screw | 26:5 | 125-5269 | 1 | Ring-Locking |
| 12 | 125-5301 | 1 | Plug | 26:6 | 125-5274 | 6 | Screw |
| 13 | 125-5278 | 1 | Shaft | 26:7 | 125-5294 | 2 | Coil Kit |
| 14 | 125-5279 | 1 | Bearing-Roller | 26:8 | 125-5283 | 1 | Gasket-Control |
| 15 | 125-5280 | 1 | Ring-Retaining | 26:9 | 125-5288 | 2 | O-Ring |
| 16 | 125-5296 | 1 | Shaft Seal Kit | 27 | 125-5303 | 2 | Plug ASM |
| 17 | 125-5284 | 1 | Adapter | 28 | 125-5297 | 1 | Charge Relief Kit |
| 18 | 125-5285 | 1 | Seal-Adapter | 29 | 125-5299 | 1 | Overhaul Seal Kit |
| 19 | 125-5286 | 1 | Coupling | | | | |

Hydraulic Gear Pump Assembly No. 130-2520

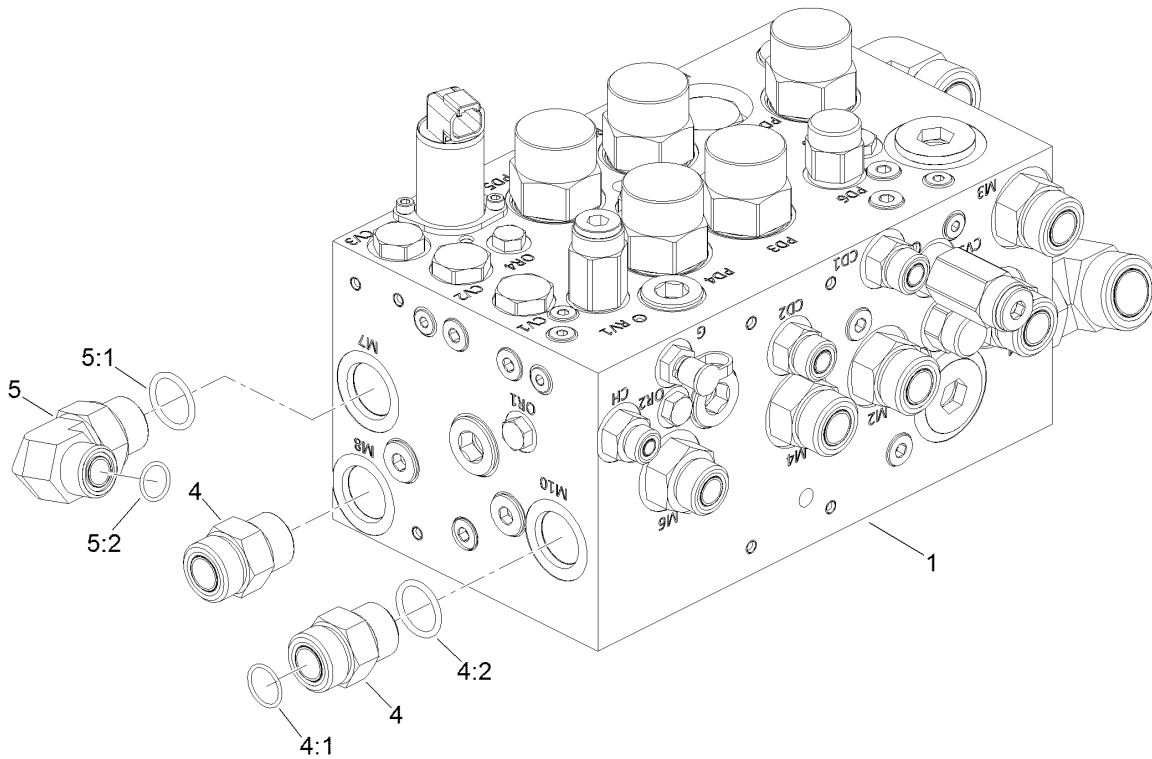
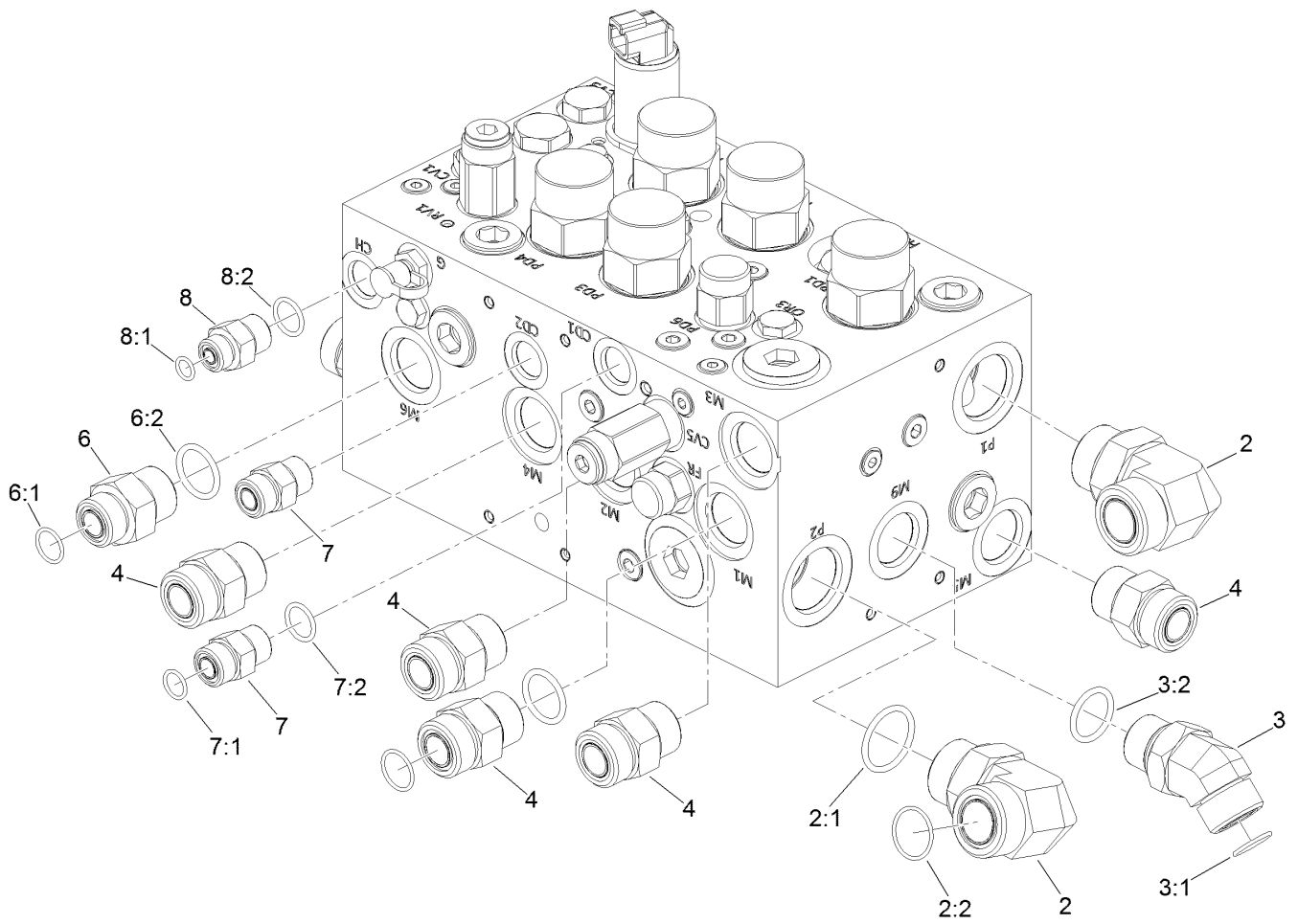


Hydraulic Gear Pump Assembly No. 130-2520 (continued)

| <i>Ref.</i> | <i>Part Number</i> | <i>Qty.</i> | <i>Description</i> | <i>Ref.</i> | <i>Part Number</i> | <i>Qty.</i> | <i>Description</i> |
|-------------|--------------------|-------------|--------------------|-------------|--------------------|-------------|----------------------|
| 1 | 133-2484 | 1 | Seal Kit | 1:5 | | 1 | Seal-Shaft ● |
| 1:1 | | 2 | Seal ● | 1:6 | | 2 | Antiextrusion ● |
| 1:2 | | 4 | Seal ● | 1:7 | | 4 | Ring-Antiextrusion ● |
| 1:3 | | 2 | Seal-Standard ● | 1:8 | | 1 | Seal-Shaft ● |
| 1:4 | | 2 | Seal-Standard ● | | | | |

● Not serviced separately

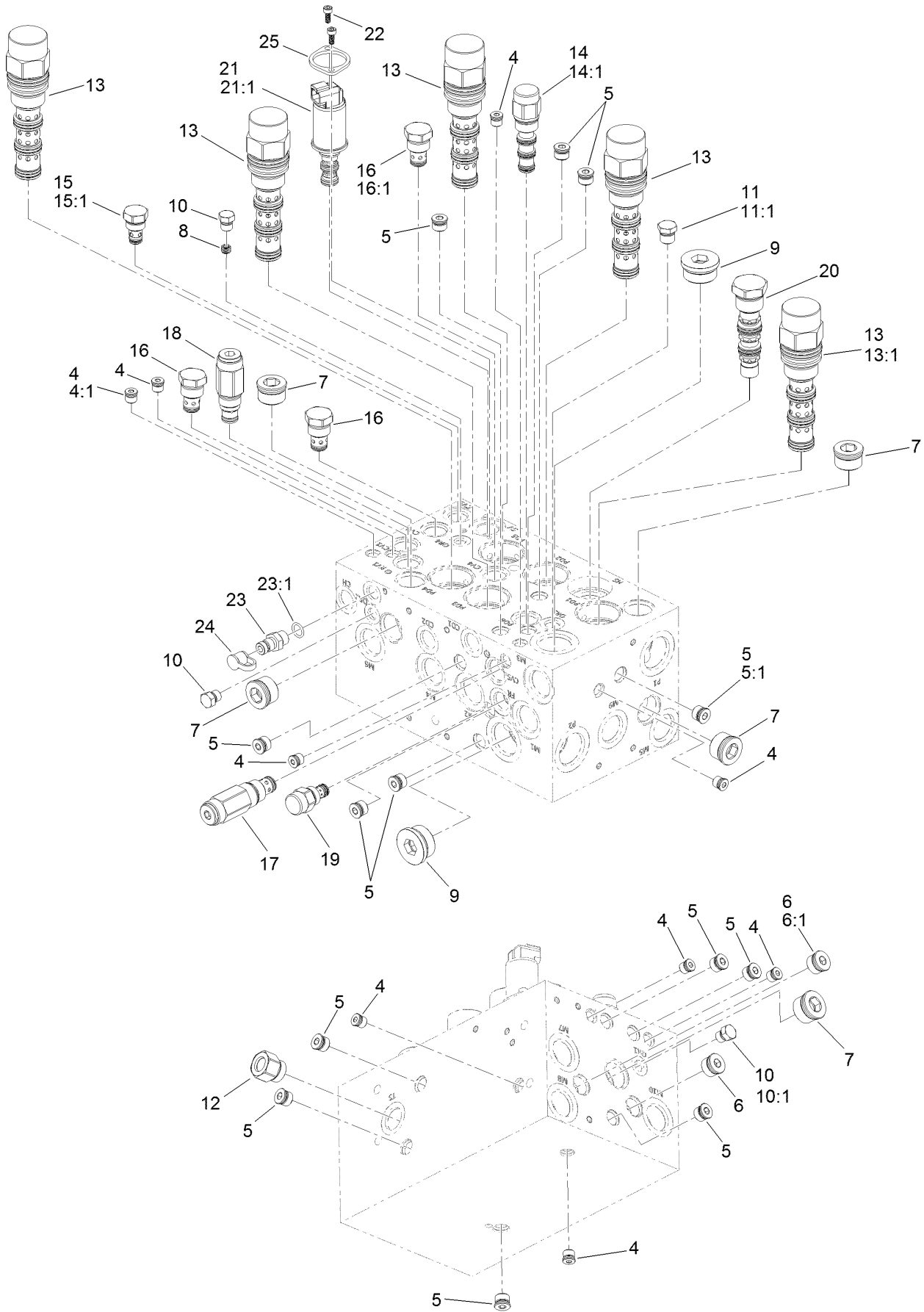
Traction Valve Assembly



Traction Valve Assembly (continued)

| <i>Ref.</i> | <i>Part Number</i> | <i>Qty.</i> | <i>Description</i> | <i>Ref.</i> | <i>Part Number</i> | <i>Qty.</i> | <i>Description</i> |
|-------------|--------------------|-------------|-----------------------|-------------|--------------------|-------------|--------------------|
| 1 | 137-5623 | 1 | Manifold-Traction | 5:1 | 237-81 | 1 | O-Ring |
| 2 | 340-129 | 2 | Fitting-Elbow, 90 DEG | 5:2 | 237-65 | 1 | O-Ring |
| 2:1 | 237-146 | 1 | O-Ring | 6 | 340-8 | 1 | Fitting-Straight |
| 2:2 | 340-65 | 1 | O-Ring | 6:1 | 237-65 | 1 | O-Ring |
| 3 | 100-5530 | 1 | Fitting-45 DEG | 6:2 | 237-81 | 1 | O-Ring |
| 3:1 | 237-58 | 1 | O-Ring | 7 | 340-4 | 2 | Fitting-Straight |
| 3:2 | 237-81 | 1 | O-Ring | 7:1 | 237-30 | 1 | O-Ring |
| 4 | 340-9 | 7 | Fitting-STR | 7:2 | 237-79 | 1 | O-Ring |
| 4:1 | 237-58 | 1 | O-Ring | 8 | 340-3 | 1 | Fitting-Straight |
| 4:2 | 237-81 | 1 | O-Ring | 8:1 | 237-22 | 1 | O-Ring |
| 5 | 340-139 | 1 | Fitting-Elbow 90 | 8:2 | 237-79 | 1 | O-Ring |

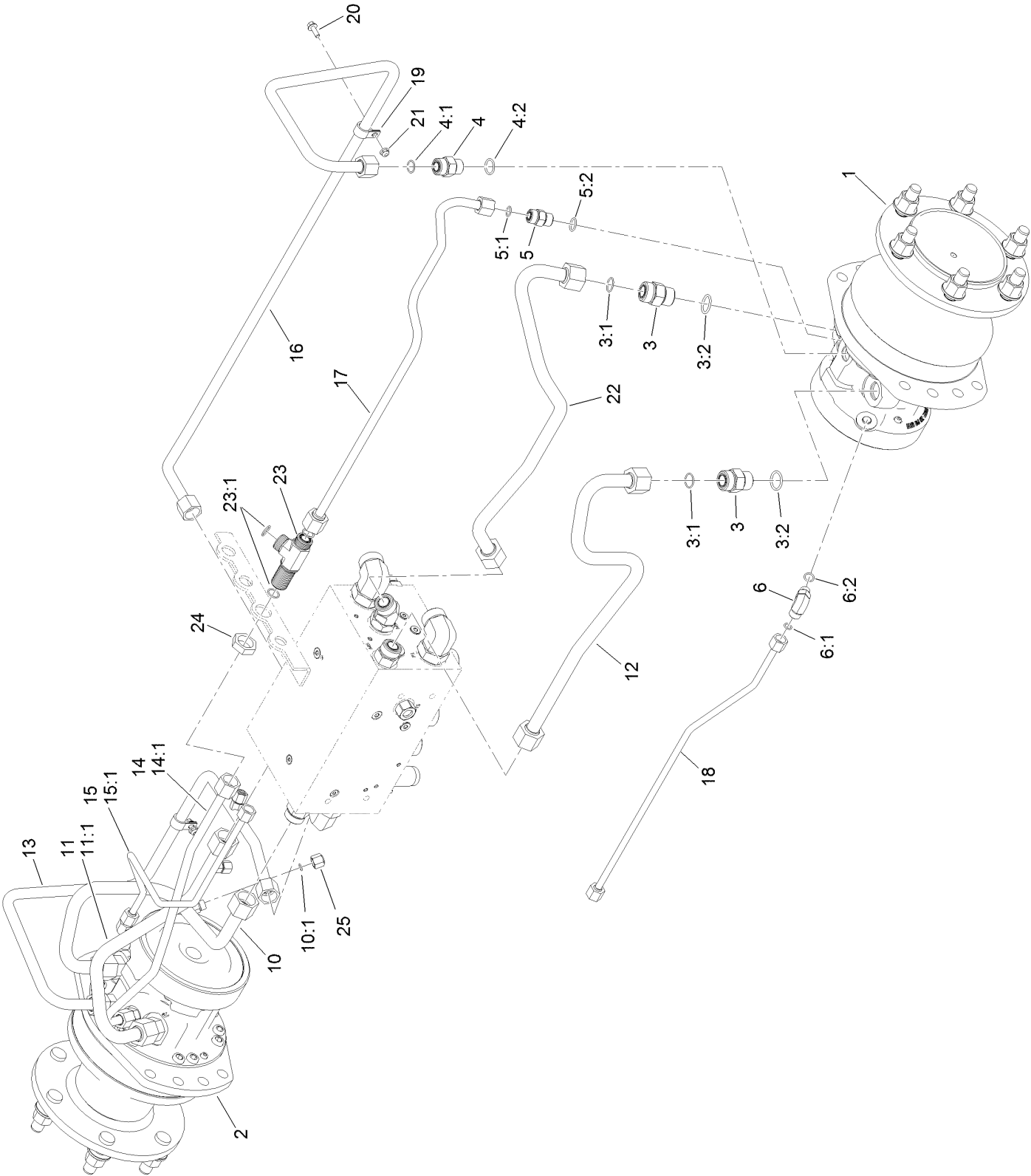
Hydraulic Traction Valve Manifold Assembly No. 137-5623



Hydraulic Traction Valve Manifold Assembly No. 137-5623 (continued)

| <i>Ref.</i> | <i>Part Number</i> | <i>Qty.</i> | <i>Description</i> | <i>Ref.</i> | <i>Part Number</i> | <i>Qty.</i> | <i>Description</i> |
|-------------|--------------------|-------------|-----------------------------------|-------------|--------------------|-------------|----------------------------------|
| 4 | 353-990 | 9 | Plug ASM | 14:1 | 110-8908 | 1 | Spool Valve Seal Kit |
| 4:1 | 237-78 | 1 | O-Ring | 15 | 105-9321 | 1 | Check Valve ASM |
| 5 | 353-989 | 13 | Plug-Hex, Hollow | 15:1 | 105-9156 | 1 | Seal Kit |
| 5:1 | 237-42 | 1 | O-Ring | 16 | 110-8881 | 3 | Valve-Check |
| 6 | 353-988 | 2 | Plug-Hex | 16:1 | 105-9159 | 1 | Seal Kit |
| 6:1 | 237-79 | 1 | O-Ring | 17 | 132-4912 | 1 | Valve-Check |
| 7 | 133-2444 | 5 | Zero-Leak Plug, SAE-12 | 18 | 132-4911 | 1 | Valve-Relief, Poppet Type |
| 8 | 110-5973 | 1 | Orifice-0.030 | 19 | 132-4910 | 1 | Regulator-Flow, Pressure Comp |
| 9 | 133-2445 | 2 | Plug-Socket, Hex | 20 | 132-4909 | 1 | Valve-Shuttle, Hot Oil |
| 10 | 353-512 | 3 | Plug | 21 | 138-3828 | 1 | Valve-Solenoid, 3 Way 2 Position |
| 10:1 | 237-78 | 1 | O-Ring | 21:1 | 138-3831 | 1 | Seal Kit |
| 11 | 353-508 | 1 | Plug-HH | 22 | 138-3827 | 2 | Screw |
| 11:1 | 237-42 | 1 | O-Ring | 23 | 59-7410 | 1 | Fitting-Diagnostic |
| 12 | 132-4915 | 1 | Fitting-Adapter, Temp Sensor | 23:1 | 237-42 | 1 | O-Ring |
| 13 | 132-4914 | 5 | Valve-Piloted Directional, Vented | 24 | 354-79 | 1 | Cap-Dust |
| 13:1 | 137-5511 | 1 | Seal Kit | 25 | 138-3825 | 1 | Plate-Mounting, Standard |
| 14 | 132-4913 | 1 | Vent-External, Piloted | | | | |

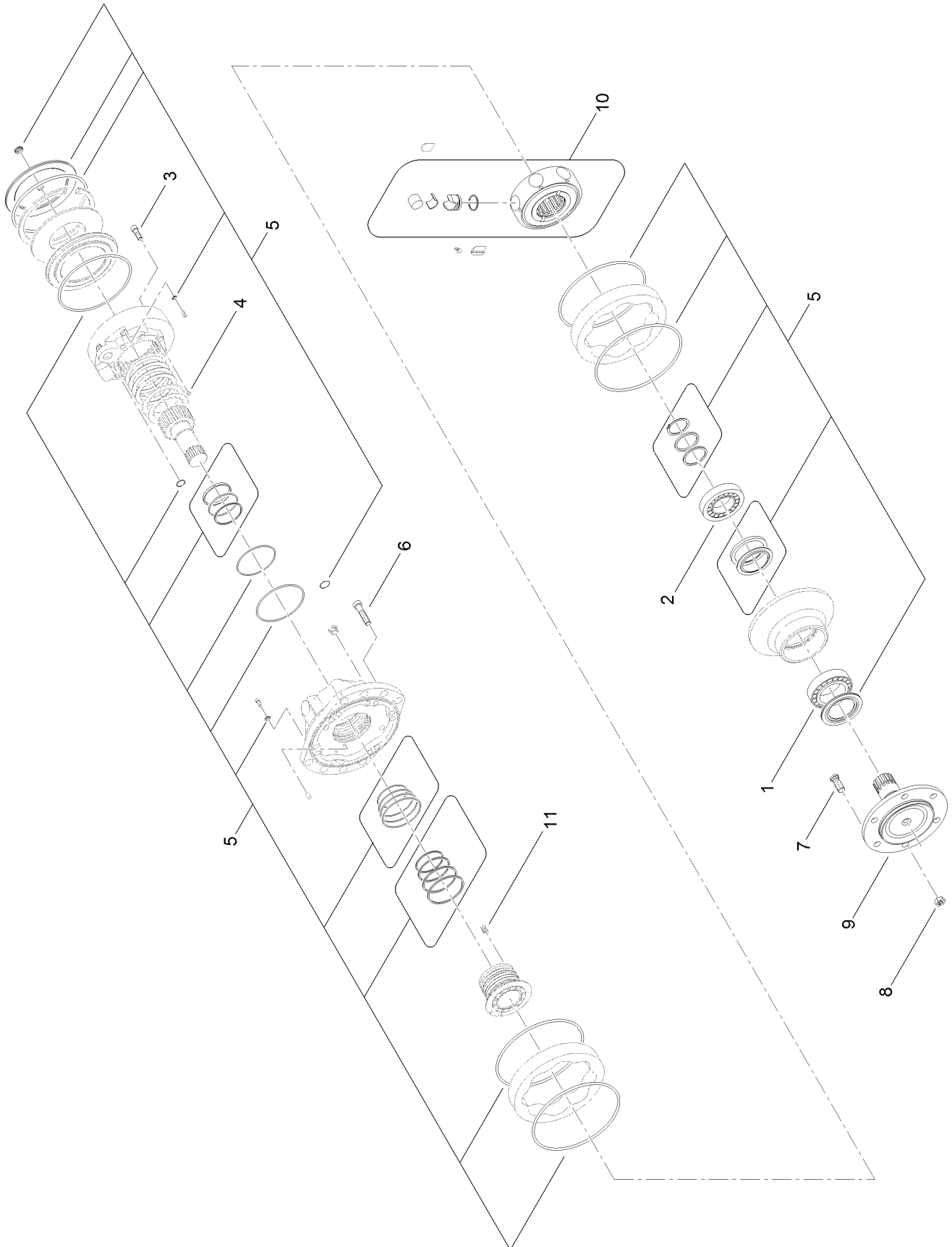
Hydraulic Traction Motors Assembly



Hydraulic Traction Motors Assembly (continued)

| <i>Ref.</i> | <i>Part Number</i> | <i>Qty.</i> | <i>Description</i> | <i>Ref.</i> | <i>Part Number</i> | <i>Qty.</i> | <i>Description</i> |
|-------------|--------------------|-------------|------------------------|-------------|--------------------|-------------|--------------------|
| 1 | 125-5391 | 1 | LH Hydraulic Motor ASM | 12 | 130-2537 | 1 | Hydraulic Tube ASM |
| 2 | 125-5434 | 1 | RH Hydraulic Motor ASM | 13 | 130-9074 | 1 | Hydraulic Tube ASM |
| 3 | 340-9 | 4 | Fitting-STR | 14 | 130-2540 | 1 | Hydraulic Tube ASM |
| 3:1 | 237-58 | 1 | O-Ring | 14:1 | 237-30 | 1 | O-Ring |
| 3:2 | 237-81 | 1 | O-Ring | 15 | 130-2541 | 1 | Hydraulic Tube ASM |
| 4 | 340-7 | 2 | Fitting-Straight | 15:1 | 237-22 | 1 | O-Ring |
| 4:1 | 237-65 | 1 | O-Ring | 16 | 130-9075 | 1 | Hydraulic Tube ASM |
| 4:2 | 237-80 | 1 | O-Ring | 17 | 130-2554 | 1 | Hydraulic Tube ASM |
| 5 | 340-4 | 2 | Fitting-Straight | 18 | 130-2555 | 1 | Hydraulic Tube ASM |
| 5:1 | 237-30 | 1 | O-Ring | 19 | 2412-87 | 2 | Clamp-Cable |
| 5:2 | 237-79 | 1 | O-Ring | 20 | 3234-4 | 2 | Screw-HHF |
| 6 | 340-77 | 2 | Fitting-Elbow, 90 DEG | 21 | 104-7201 | 2 | Nut-HF, NI |
| 6:1 | 237-22 | 1 | O-Ring | 22 | 130-2556 | 1 | Hydraulic Tube ASM |
| 6:2 | 237-42 | 1 | O-Ring | 23 | 94-5350 | 1 | Fitting-Tee |
| 10 | 130-2533 | 1 | Hydraulic Tube ASM | 23:1 | 237-65 | 3 | O-Ring |
| 10:1 | 237-21 | 1 | O-Ring | 24 | 340-74 | 1 | Nut-Lock, Bulkhead |
| 11 | 130-2534 | 1 | Hydraulic Tube ASM | 25 | 117-3297 | 3 | Fitting-Cap |
| 11:1 | 237-21 | 1 | O-Ring | | | | |

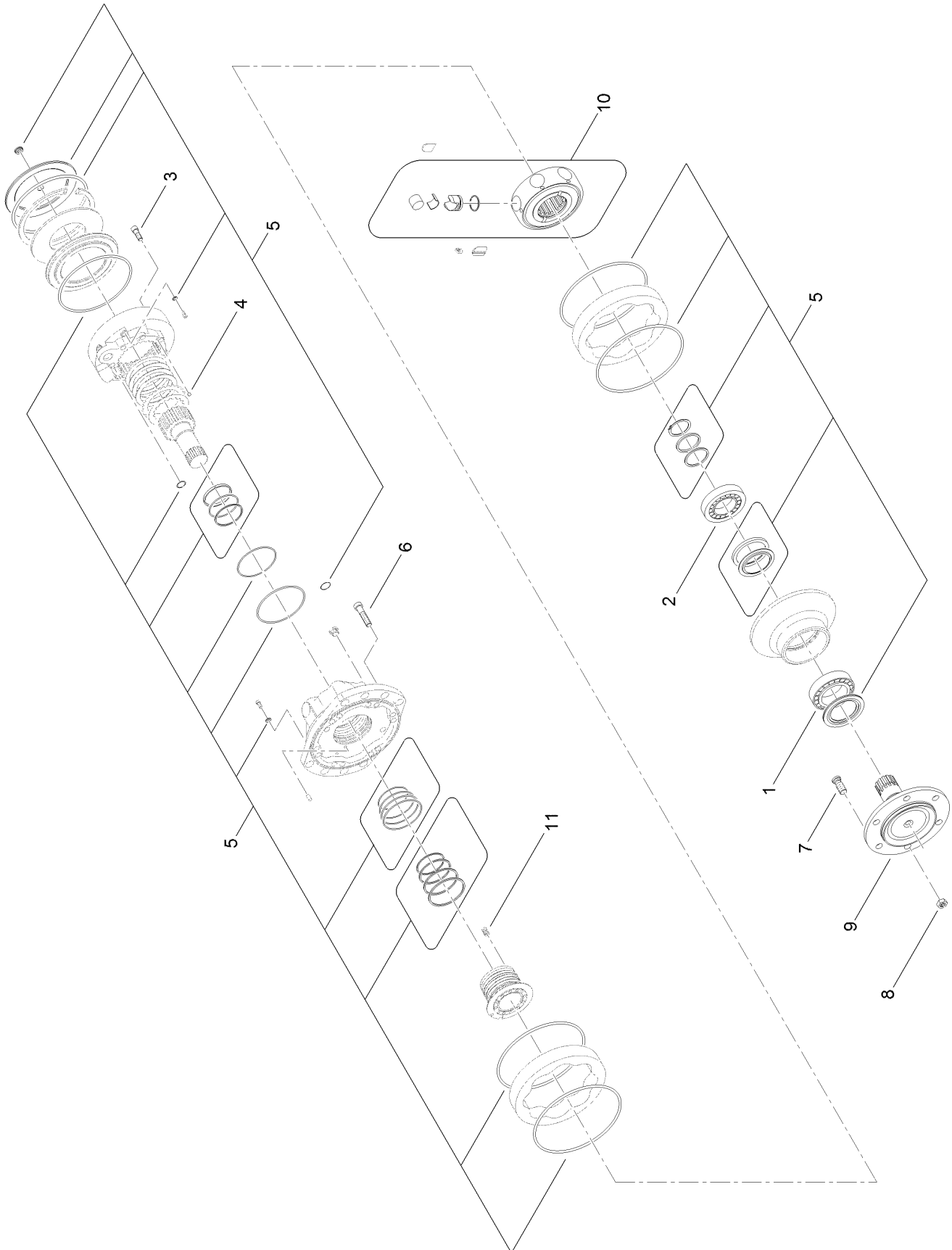
Hydraulic Motor Assembly No. 125-5391



Hydraulic Motor Assembly No. 125-5391 (continued)

| <i>Ref.</i> | <i>Part Number</i> | <i>Qty.</i> | <i>Description</i> | <i>Ref.</i> | <i>Part Number</i> | <i>Qty.</i> | <i>Description</i> |
|-------------|--------------------|-------------|--------------------|-------------|--------------------|-------------|--------------------|
| 1 | 137-5627 | 1 | Bearing | 7 | 137-5632 | 1 | Stud |
| 2 | 137-5628 | 1 | Bearing | 8 | 137-5633 | 1 | Lug Nut |
| 3 | 137-5649 | 1 | Screw | 9 | 137-5634 | 1 | Shaft |
| 4 | 137-5629 | 1 | Shear Ball | 10 | 137-5578 | 1 | Rotating Group ASM |
| 5 | 137-5630 | 1 | Master Seal Kit | 11 | 137-5583 | 1 | Spring |
| 6 | 137-5631 | 1 | Screw | | | | |

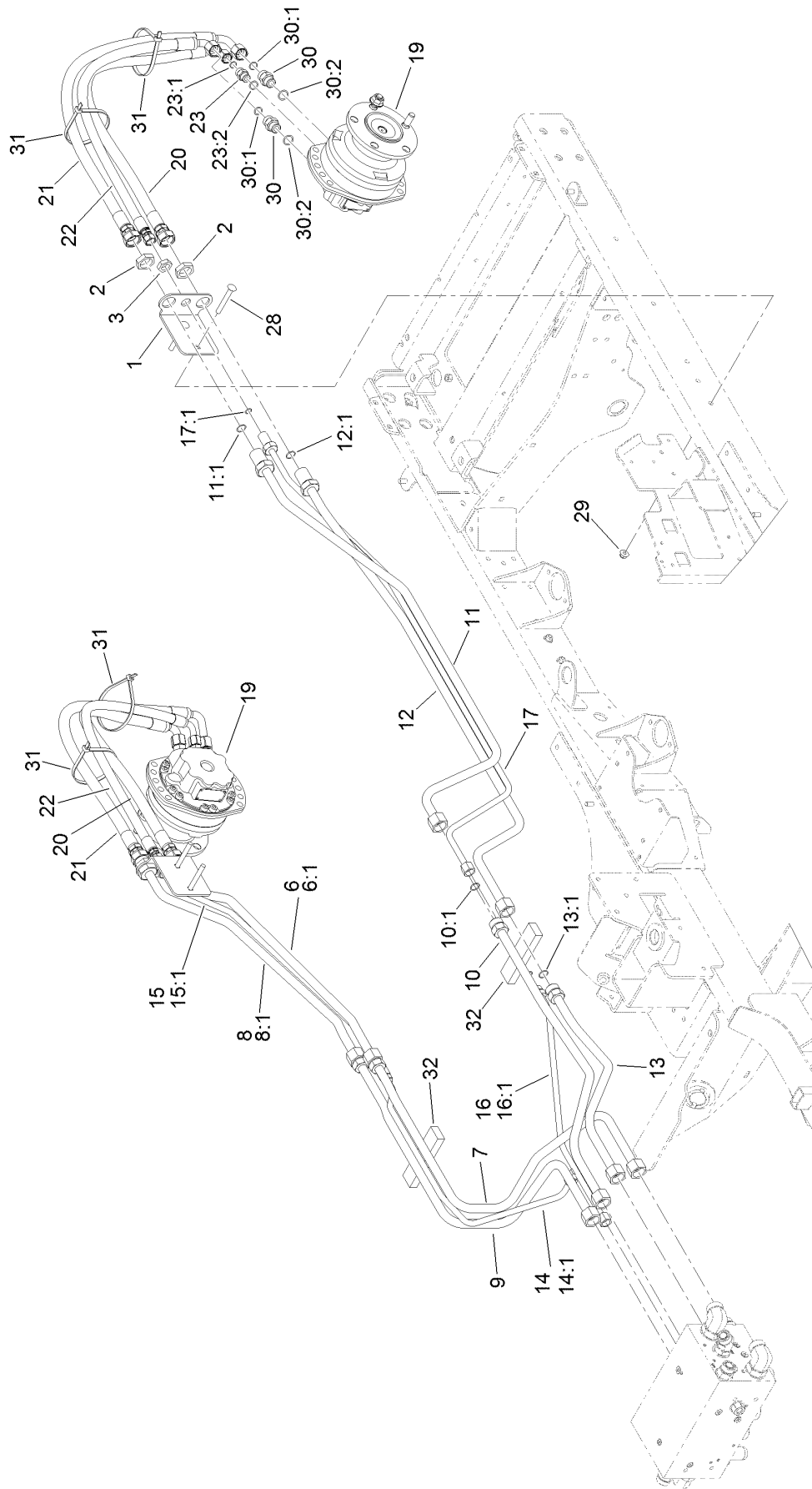
Hydraulic Motor Assembly No. 125-5434



Hydraulic Motor Assembly No. 125-5434 (continued)

| <i>Ref.</i> | <i>Part Number</i> | <i>Qty.</i> | <i>Description</i> | <i>Ref.</i> | <i>Part Number</i> | <i>Qty.</i> | <i>Description</i> |
|-------------|--------------------|-------------|--------------------|-------------|--------------------|-------------|--------------------|
| 1 | 137-5627 | 1 | Bearing | 7 | 137-5632 | 1 | Stud |
| 2 | 137-5628 | 1 | Bearing | 8 | 137-5633 | 1 | Lug Nut |
| 3 | 137-5649 | 1 | Screw | 9 | 137-5634 | 1 | Shaft |
| 4 | 137-5629 | 1 | Shear Ball | 10 | 137-5578 | 1 | Rotating Group ASM |
| 5 | 137-5630 | 1 | Master Seal Kit | 11 | 137-5583 | 1 | Spring |
| 6 | 137-5631 | 1 | Screw | | | | |

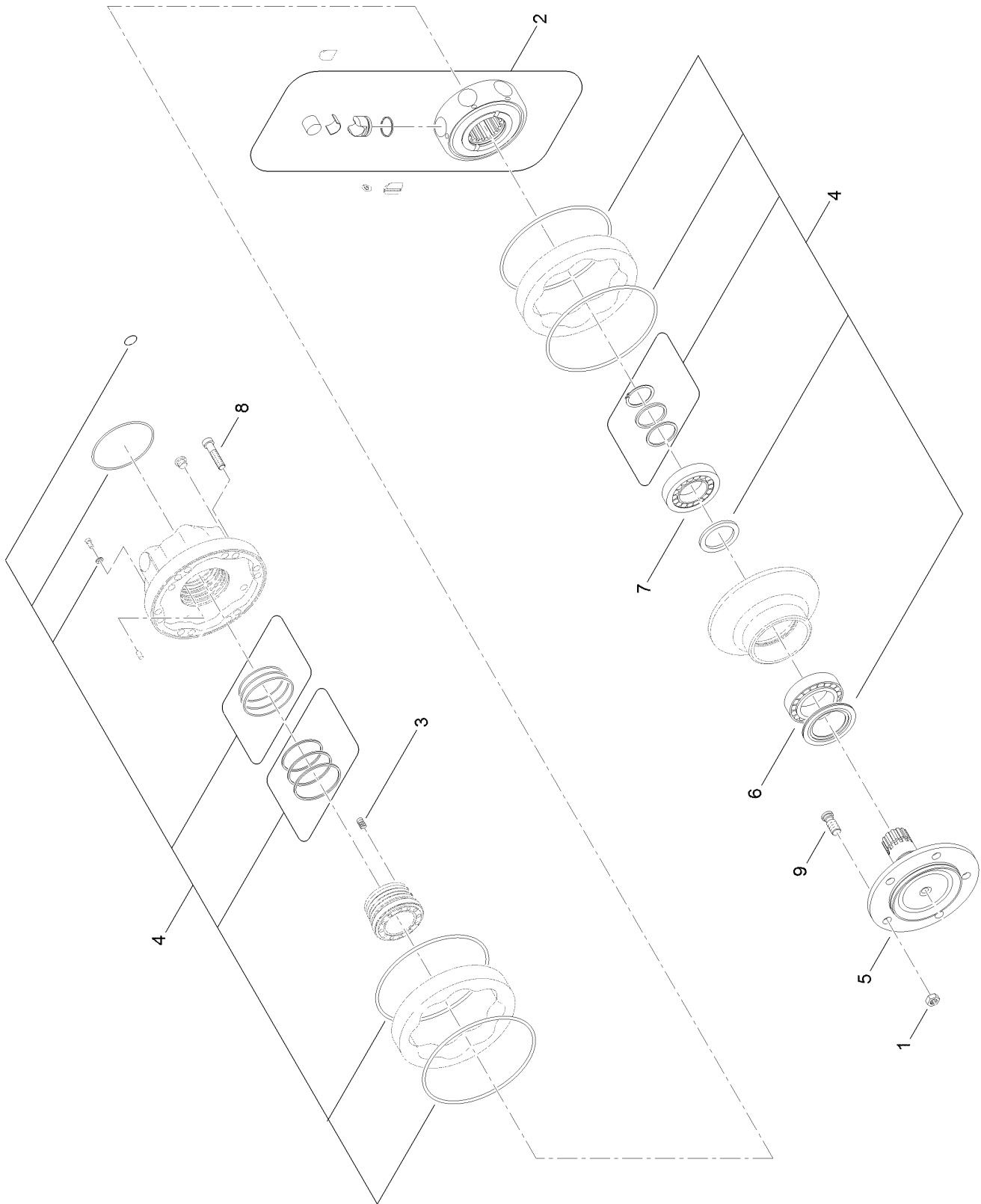
Hydraulic Traction Assembly



Hydraulic Traction Assembly (continued)

| <i>Ref.</i> | <i>Part Number</i> | <i>Qty.</i> | <i>Description</i> | <i>Ref.</i> | <i>Part Number</i> | <i>Qty.</i> | <i>Description</i> |
|-------------|--------------------|-------------|--------------------|-------------|--------------------|-------------|---------------------|
| 1 | 131-2377-01 | 2 | Support-Bulkhead | 15:1 | 237-30 | 1 | O-Ring |
| 2 | 340-126 | 4 | Nut-Bulkhead | 16 | 131-2386 | 1 | Hydraulic Tube ASM |
| 3 | 340-127 | 2 | Nut-Bulkhead | 16:1 | 237-30 | 2 | O-Ring |
| 6 | 131-2378 | 1 | Hydraulic Tube ASM | 17 | 131-2387 | 1 | Hydraulic Tube ASM |
| 6:1 | 237-58 | 1 | O-Ring | 17:1 | 237-30 | 1 | O-Ring |
| 7 | 131-2397 | 1 | Hydraulic Tube ASM | 19 | 132-1425 | 2 | Hydraulic Motor ASM |
| 8 | 131-2379 | 1 | Hydraulic Tube ASM | 20 | 127-3568 | 2 | Hydraulic Hose ASM |
| 8:1 | 237-58 | 1 | O-Ring | 21 | 127-3569 | 2 | Hydraulic Hose ASM |
| 9 | 131-2398 | 1 | Hydraulic Tube ASM | 22 | 131-2383 | 2 | Hydraulic Hose ASM |
| 10 | 130-2464 | 1 | Hydraulic Tube ASM | 23 | 340-4 | 2 | Fitting-Straight |
| 10:1 | 237-58 | 1 | O-Ring | 23:1 | 237-30 | 1 | O-Ring |
| 11 | 131-2388 | 1 | Hydraulic Tube ASM | 23:2 | 237-79 | 1 | O-Ring |
| 11:1 | 237-58 | 1 | O-Ring | 28 | 3231-42 | 4 | Screw-CARR |
| 12 | 131-2389 | 1 | Hydraulic Tube ASM | 29 | 104-8301 | 4 | Nut-HF, NI |
| 12:1 | 237-58 | 1 | O-Ring | 30 | 340-7 | 4 | Fitting-Straight |
| 13 | 130-2467 | 1 | Hydraulic Tube ASM | 30:1 | 237-65 | 1 | O-Ring |
| 13:1 | 237-58 | 1 | O-Ring | 30:2 | 237-80 | 1 | O-Ring |
| 14 | 131-2384 | 1 | Hydraulic Tube ASM | 31 | 3334-945 | 4 | Tie-Cable |
| 14:1 | 237-30 | 1 | O-Ring | 32 | 132-1393 | 2 | Foam-Support, Tube |
| 15 | 131-2385 | 1 | Hydraulic Tube ASM | | | | |

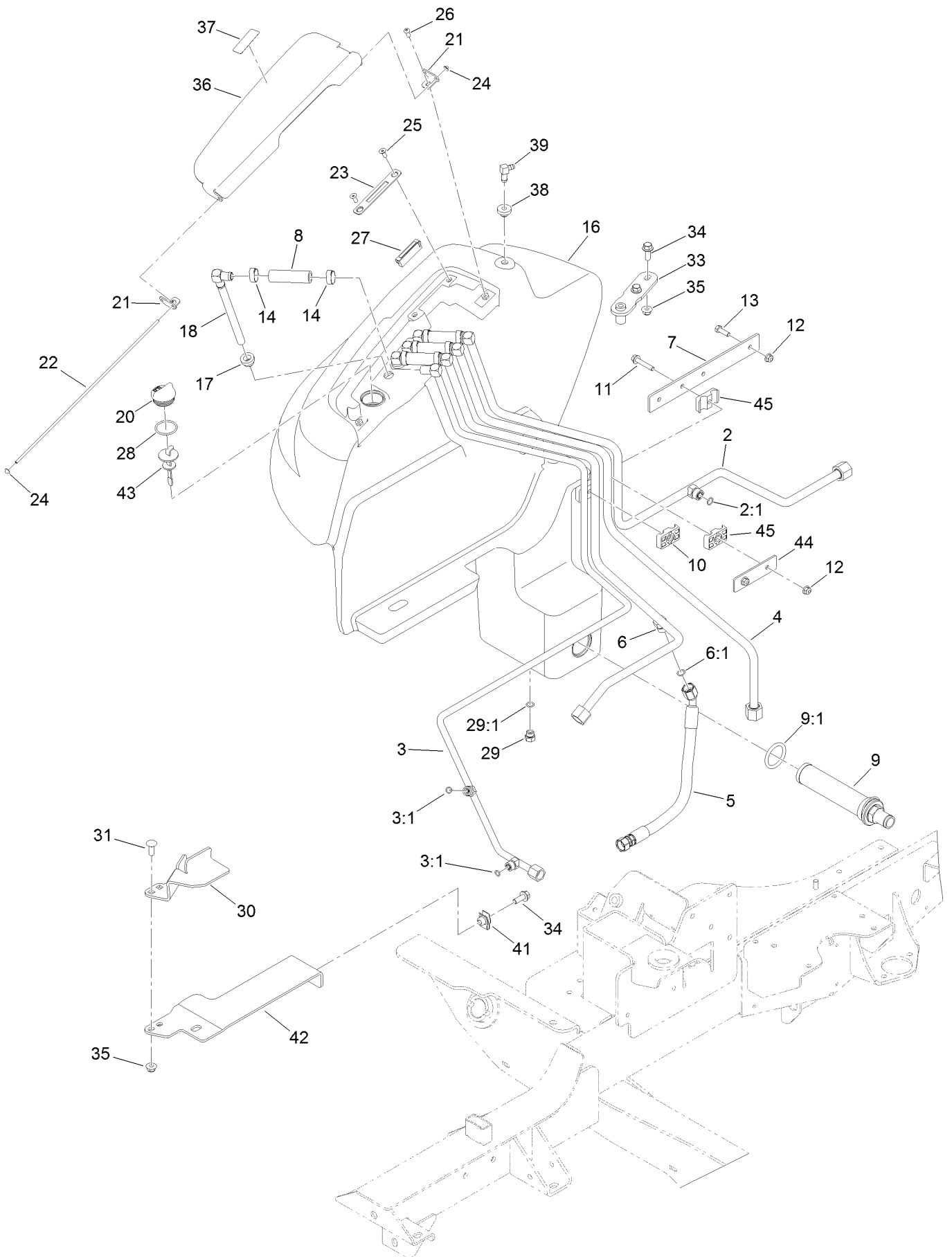
Hydraulic Motor Assembly No. 132-1425



Hydraulic Motor Assembly No. 132-1425 (continued)

| <i>Ref.</i> | <i>Part Number</i> | <i>Qty.</i> | <i>Description</i> | <i>Ref.</i> | <i>Part Number</i> | <i>Qty.</i> | <i>Description</i> |
|-------------|--------------------|-------------|--------------------|-------------|--------------------|-------------|--------------------|
| 1 | 133-2517 | 1 | Nut-Flange | 6 | 137-5636 | 1 | Bearing |
| 2 | 133-2518 | 1 | Rotating Group ASM | 7 | 137-5637 | 1 | Bearing |
| 3 | 137-5583 | 1 | Spring | 8 | 137-5638 | 1 | Screw |
| 4 | 133-2520 | 1 | Seal Kit | 9 | 137-5639 | 1 | Stud |
| 5 | 137-5635 | 1 | Shaft | | | | |

Hydraulic Tank Assembly



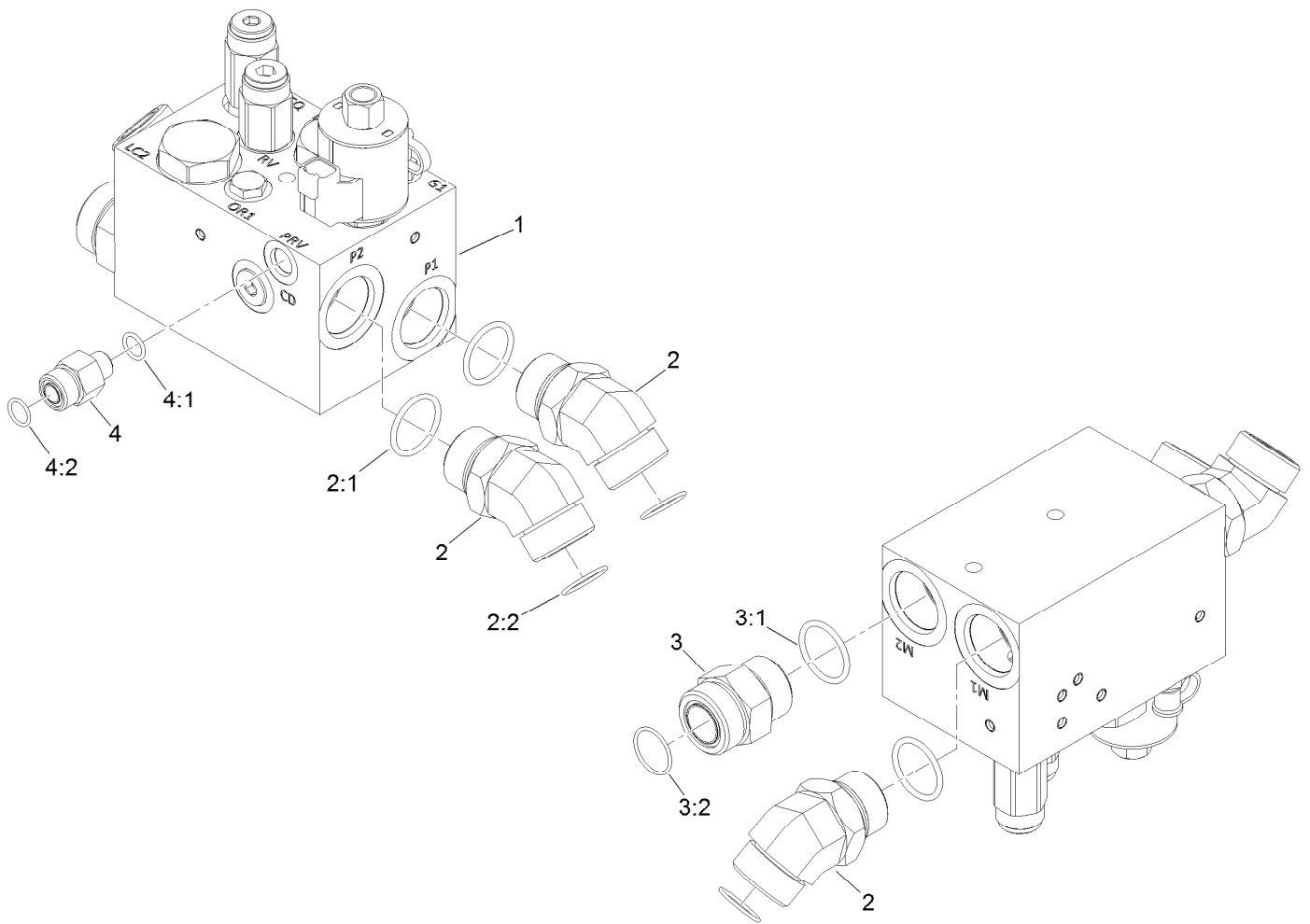
Hydraulic Tank Assembly (continued)

| <i>Ref.</i> | <i>Part Number</i> | <i>Qty.</i> | <i>Description</i> | <i>Ref.</i> | <i>Part Number</i> | <i>Qty.</i> | <i>Description</i> |
|-------------|--------------------|-------------|--------------------|-------------|--------------------|-------------|-----------------------|
| 2 | 125-5357 | 1 | Hydraulic Tube ASM | 23 | 114-0941 | 1 | Plate-Latch |
| 2:1 | 237-30 | 1 | O-Ring | 24 | 1-803001 | 2 | Nut-Push |
| 3 | 130-2553 | 1 | Hydraulic Tube ASM | 25 | 3274-47 | 2 | Screw-HSFH |
| 3:1 | 237-22 | 2 | O-Ring | 26 | 3274-31 | 2 | Screw-HSBH |
| 4 | 130-2511 | 1 | Hydraulic Tube ASM | 27 | 58-4250 | 1 | Catch-Magnetic |
| 5 | 130-2543 | 1 | Hydraulic Hose ASM | 28 | 94-8166 | 1 | O-Ring |
| 6 | 130-9036 | 1 | Hydraulic Tube ASM | 29 | 353-508 | 1 | Plug-HH |
| 6:1 | 237-30 | 1 | O-Ring | 29:1 | 237-42 | 1 | O-Ring |
| 7 | 114-4919-0P | 1 | Plate-Mount, Tube | 30 | 139-7819-01 | 1 | Keeper-Tank |
| 8 | 114-4920 | 4 | Hose | 31 | 3231-22 | 2 | Screw-CARR |
| 9 | 104-7546 | 1 | Tank Strainer ASM | 33 | 114-0094 | 1 | Hold Down-Tank |
| 9:1 | 340-136 | 1 | O-Ring | 34 | 3234-42 | 3 | Screw-HHF |
| 10 | 56-7977 | 2 | Clamp-Tube | 35 | 104-8301 | 4 | Nut-HF, NI |
| 11 | 94-5780 | 2 | Screw-HWH | 36 | 137-5592-03 | 1 | Cover-Tank, Hydraulic |
| 12 | 104-8300 | 4 | Nut-HF, NI | 37 | 93-6686 | 1 | Decal-Oil, HYD |
| 13 | 322-5 | 2 | Screw-HH | 38 | 46-6560 | 1 | Bushing |
| 14 | 2412-36 | 8 | Clamp-Hose | 39 | 46-6550 | 1 | Fitting-Elbow, 90 DEG |
| 16 | 119-7726 | 1 | Hydraulic Tank ASM | 41 | 105-4886 | 1 | Nut-Tinnerman |
| 17 | 104-0790 | 4 | Bushing | 42 | 139-7809-01 | 1 | Support-Tank |
| 18 | 132-1384 | 4 | Tube-Drop | 43 | 105-2812 | 1 | Dipstick |
| 20 | 93-7498 | 1 | Plug-Plastic | 44 | 131-2213 | 1 | Plate-Case Drain |
| 21 | 114-0940 | 2 | Bracket-Hinge | 45 | 56-7971 | 2 | Clamp-Tube |
| 22 | 114-0904 | 1 | Rod | | | | |

Hydraulic Cutting Circuit Assembly (continued)

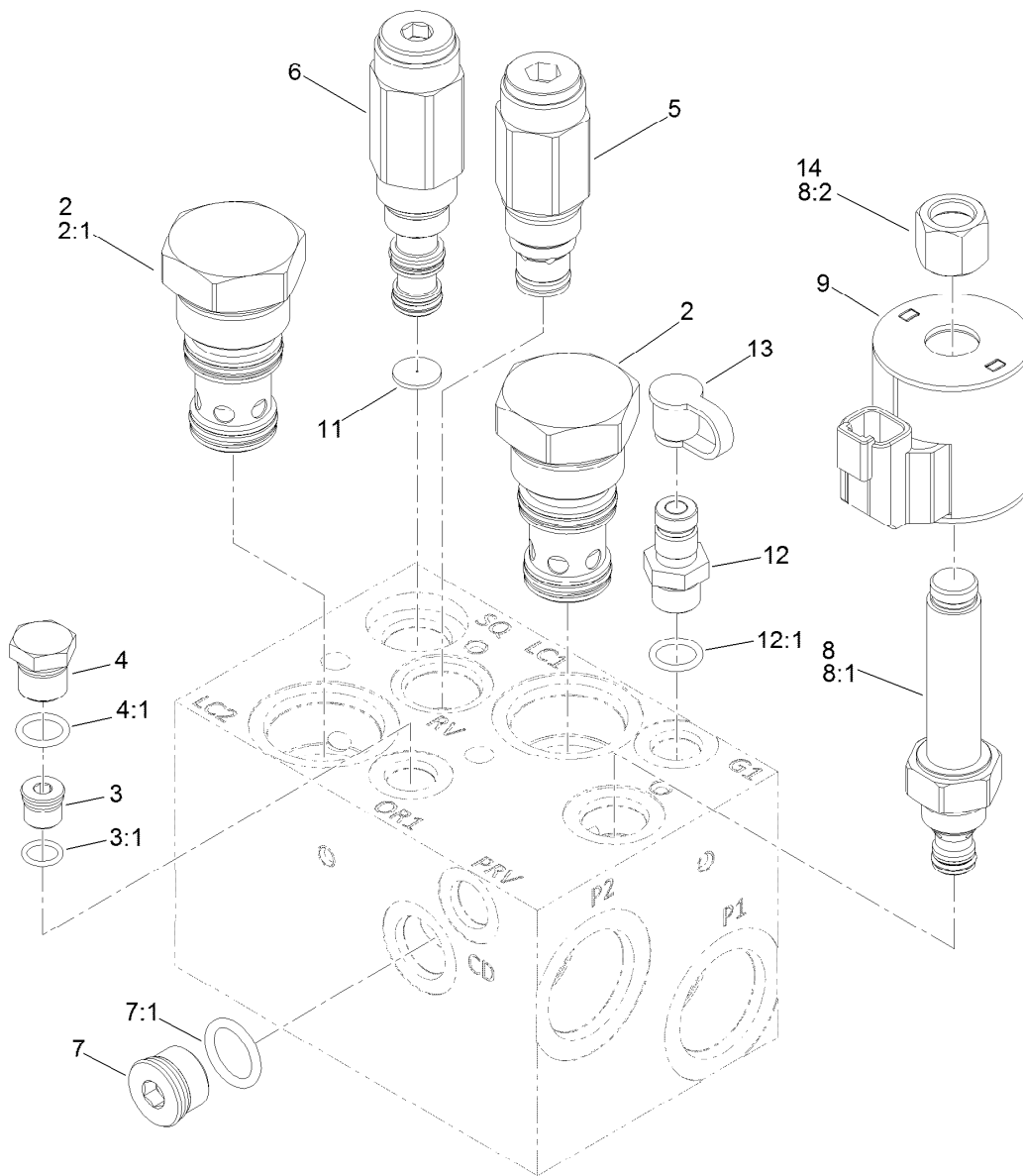
| <i>Ref.</i> | <i>Part Number</i> | <i>Qty.</i> | <i>Description</i> | <i>Ref.</i> | <i>Part Number</i> | <i>Qty.</i> | <i>Description</i> |
|-------------|--------------------|-------------|--------------------------|-------------|--------------------|-------------|-----------------------|
| 1 | | 1 | Center Deck Manifold ASM | 20 | 132-1377-0P | 1 | Bracket-Hydraulic |
| 2 | 104-3509 | 2 | Fitting-HYD, 45 DEG | 21 | 125-5392 | 3 | Hydraulic Motor ASM |
| 2:1 | 237-146 | 1 | O-Ring | 22 | 56-7974 | 2 | Clamp-Tube |
| 2:2 | 340-65 | 1 | O-Ring | 23 | 69-9761 | 1 | Plate-Cover |
| 3 | | 1 | LH Deck Manifold ASM ● | 24 | 104-3797 | 1 | Fitting-Straight |
| 4 | 130-2549 | 1 | Hydraulic Tube ASM | 24:1 | 237-146 | 1 | O-Ring |
| 4:1 | 340-65 | 1 | O-Ring | 24:2 | 340-65 | 1 | O-Ring |
| 5 | 125-5346 | 1 | Hydraulic Hose ASM | 25 | 125-5326 | 2 | Hydraulic Tube ASM |
| 6 | | 1 | RH Deck Manifold ASM ● | 25:1 | 237-22 | 1 | O-Ring |
| 7 | 121-7536 | 4 | Clamp-Torque, Constant | 26 | 125-5356 | 1 | Hydraulic Tube ASM |
| 8 | 340-129 | 5 | Fitting-Elbow, 90 DEG | 26:1 | 237-65 | 3 | O-Ring |
| 8:1 | 237-146 | 1 | O-Ring | 27 | 340-2 | 2 | Fitting-Straight |
| 8:2 | 340-65 | 1 | O-Ring | 27:1 | 237-22 | 1 | O-Ring |
| 9 | 125-5325 | 1 | Hydraulic Tube ASM | 27:2 | 237-42 | 1 | O-Ring |
| 10 | 132-1383 | 2 | Clamp-Belville Sprg | 28 | 140-5801 | 2 | Hydraulic Hose ASM |
| 11 | 125-5328 | 1 | Hydraulic Hose ASM | 29 | 140-5802 | 2 | Hydraulic Hose ASM |
| 12 | 127-3466 | 1 | Hose-Hydraulic | 30 | 130-9154 | 2 | Hydraulic Hose ASM |
| 13 | 127-3467 | 1 | Hose-Hydraulic | 31 | 132-1389 | 1 | Hydraulic Hose ASM |
| 14 | 127-3468 | 1 | Hose-Hydraulic | 32 | 140-5803 | 2 | Hydraulic Hose ASM |
| 15 | 92-7526 | 2 | Fitting-HYD 90 Spcl | 34 | 3256-56 | 6 | Washer-Flat |
| 15:1 | 237-101 | 1 | O-Ring | 35 | 340-74 | 2 | Nut-Lock, Bulkhead |
| 16 | 353-987 | 1 | Fitting-Elbow, 90 | 37 | 322-12 | 1 | Screw-HH |
| 16:1 | 237-81 | 1 | O-Ring | 38 | 340-77 | 1 | Fitting-Elbow, 90 DEG |
| 17 | 130-9133 | 6 | Screw-HH | 38:1 | 237-22 | 1 | O-Ring |
| 18 | 104-8300 | 7 | Nut-HF, NI | 38:2 | 237-42 | 1 | O-Ring |
| 19 | 132-1374 | 1 | Hydraulic Tube ASM | 39 | 3334-945 | 2 | Tie-Cable |

● Not serviced separately



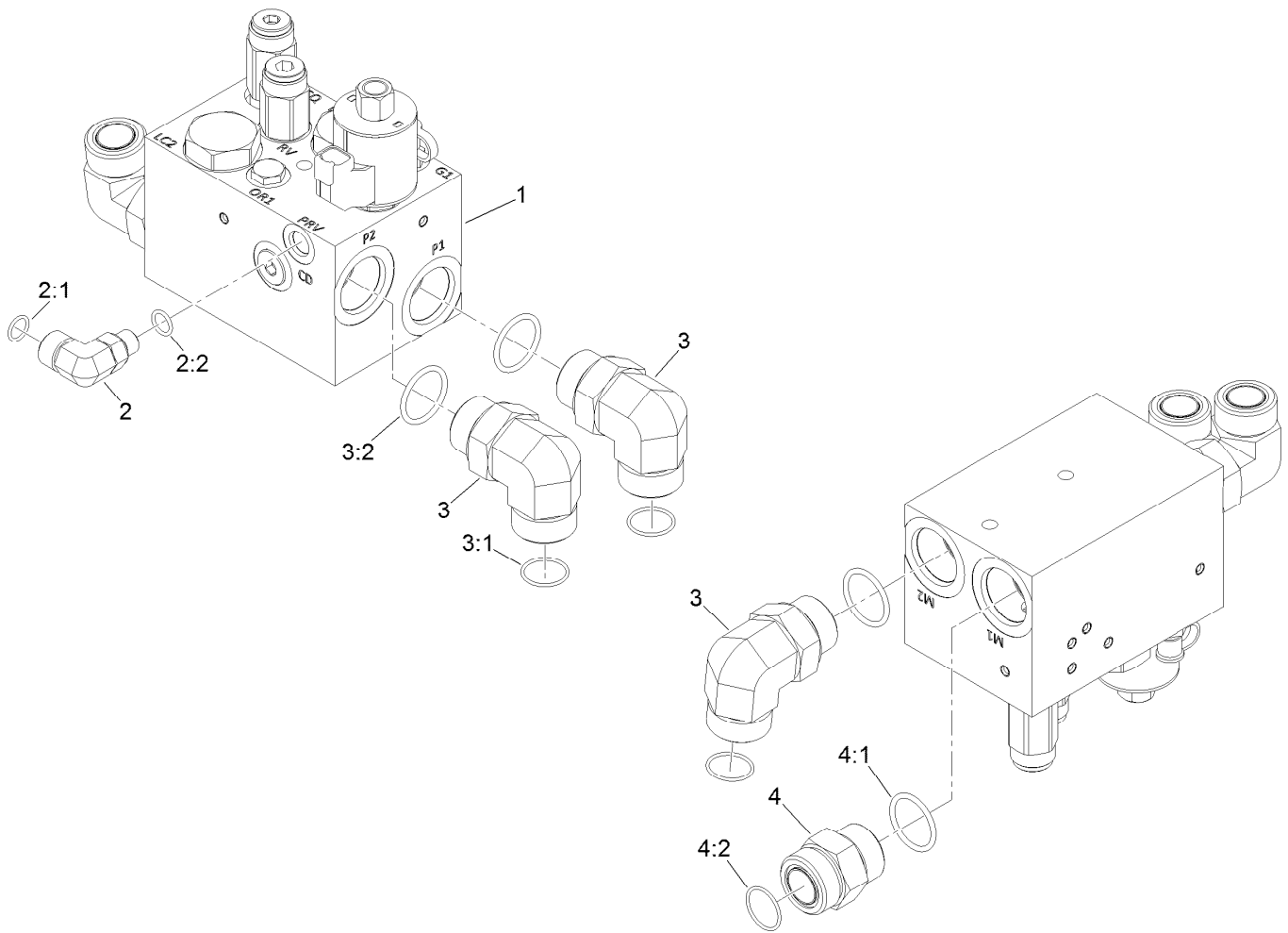
Center Cutting Deck Drive Valve Assembly

| Ref. | Part Number | Qty. | Description |
|------|-------------|------|--------------------------|
| 1 | 132-1394 | 1 | Center Deck Manifold ASM |
| 2 | 104-3509 | 3 | Fitting-HYD, 45 DEG |
| 2:1 | 237-146 | 1 | O-Ring |
| 2:2 | 340-65 | 1 | O-Ring |
| 3 | 104-3797 | 1 | Fitting-Straight |
| 3:1 | 237-146 | 1 | O-Ring |
| 3:2 | 340-65 | 1 | O-Ring |
| 4 | 340-5 | 1 | Fitting-Straight |
| 4:1 | 237-42 | 1 | O-Ring |
| 4:2 | 237-30 | 1 | O-Ring |



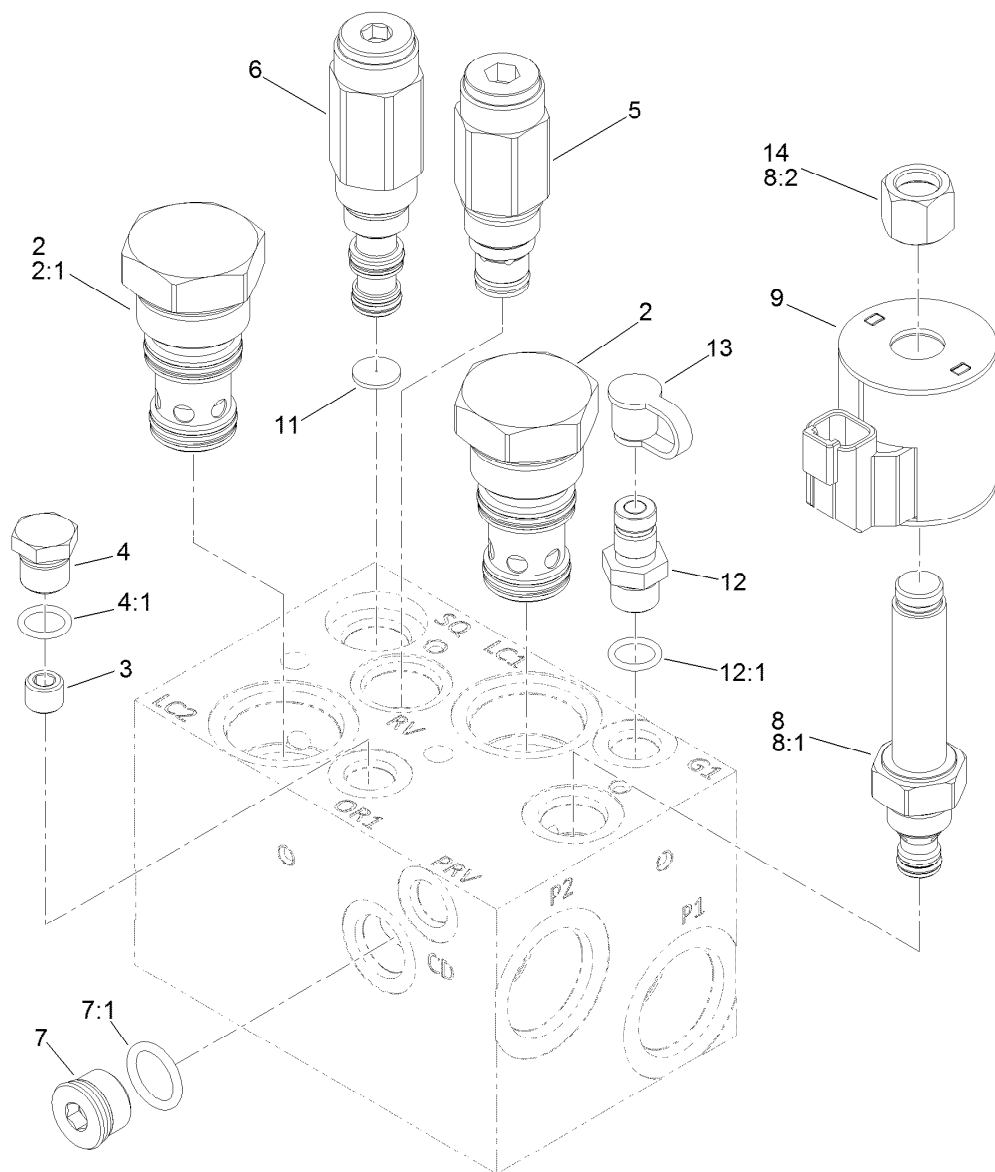
Hydraulic Manifold Assembly No. 132-1394

| <i>Ref.</i> | <i>Part Number</i> | <i>Qty.</i> | <i>Description</i> | <i>Ref.</i> | <i>Part Number</i> | <i>Qty.</i> | <i>Description</i> |
|-------------|--------------------|-------------|-------------------------|-------------|--------------------|-------------|----------------------------|
| 2 | 132-4896 | 2 | Element-Logic | 8 | 117-0227 | 1 | Valve-Relief, Proportional |
| 2:1 | 139-7839 | 1 | Seal Kit | 8:1 | 105-9156 | 1 | Seal Kit |
| 3 | 353-990 | 1 | Plug ASM | 8:2 | 130-8180 | 1 | Nut-Coil (9/16-24 Unef-2B) |
| 3:1 | 237-78 | 1 | O-Ring | 9 | 119-4619 | 1 | Coil-Solenoid |
| 4 | 353-508 | 1 | Plug-HH | 11 | 132-4891 | 1 | Disc-Orifice |
| 4:1 | 237-42 | 1 | O-Ring | 12 | 59-7410 | 1 | Fitting-Diagnostic |
| 5 | 132-4894 | 1 | Valve-Relief, Poppet | 12:1 | 237-42 | 1 | O-Ring |
| 6 | 132-4893 | 1 | Valve-Sequence, 110 PSI | 13 | 354-79 | 1 | Cap-Dust |
| 7 | 353-988 | 1 | Plug-Hex | 14 | 130-8180 | 1 | Nut-Coil (9/16-24 Unef-2B) |
| 7:1 | 237-79 | 1 | O-Ring | | | | |



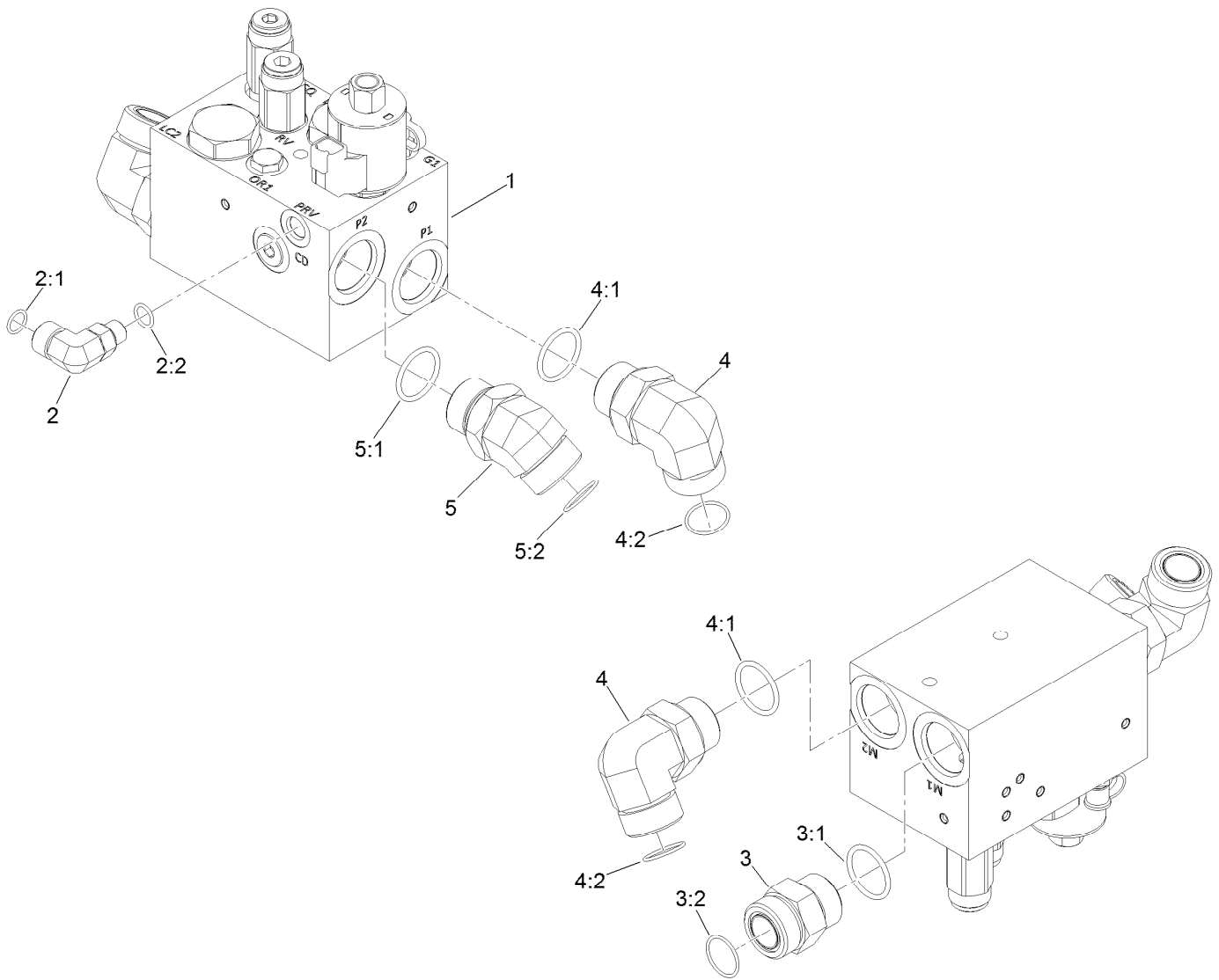
LH Cutting Deck Drive Valve Assembly

| Ref. | Part Number | Qty. | Description |
|------|-------------|------|-----------------------|
| 1 | 132-1395 | 1 | LH Deck Manifold ASM |
| 2 | 340-99 | 1 | Fitting-HYD, 90 DEG |
| 2:1 | 237-30 | 1 | O-Ring |
| 2:2 | 237-42 | 1 | O-Ring |
| 3 | 340-129 | 3 | Fitting-Elbow, 90 DEG |
| 3:1 | 237-146 | 1 | O-Ring |
| 3:2 | 340-65 | 1 | O-Ring |
| 4 | 104-3797 | 1 | Fitting-Straight |
| 4:1 | 237-146 | 1 | O-Ring |
| 4:2 | 340-65 | 1 | O-Ring |



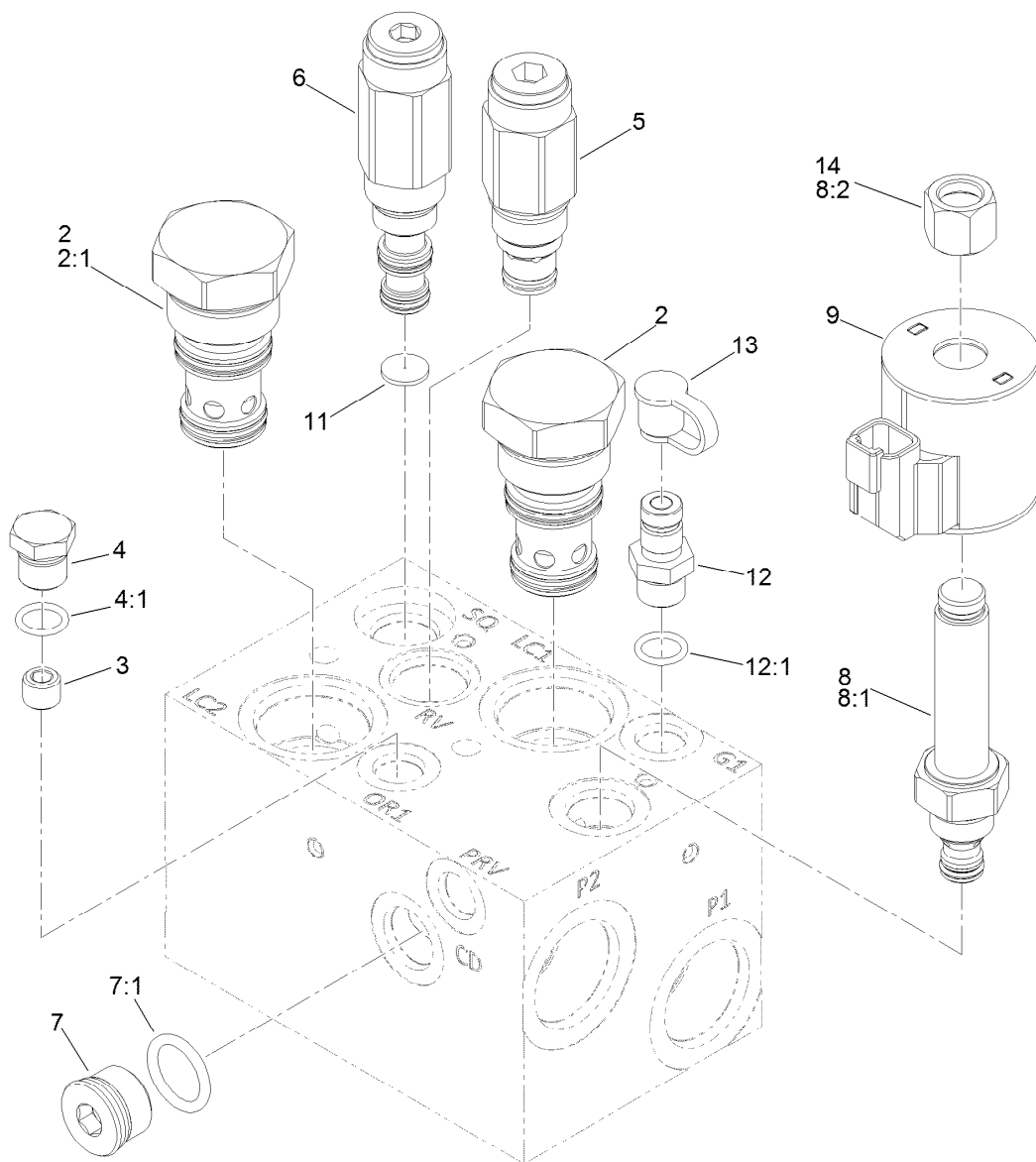
Hydraulic Manifold Assembly No. 132-1395

| <i>Ref.</i> | <i>Part Number</i> | <i>Qty.</i> | <i>Description</i> | <i>Ref.</i> | <i>Part Number</i> | <i>Qty.</i> | <i>Description</i> |
|-------------|--------------------|-------------|-------------------------|-------------|--------------------|-------------|----------------------------|
| 2 | 132-4896 | 2 | Element-Logic | 8 | 117-0227 | 1 | Valve-Relief, Proportional |
| 2:1 | 139-7839 | 1 | Seal Kit | 8:1 | 105-9156 | 1 | Seal Kit |
| 3 | 132-4895 | 1 | Orifice | 8:2 | 130-8180 | 1 | Nut-Coil (9/16-24 Unef-2B) |
| 4 | 353-508 | 1 | Plug-HH | 9 | 119-4619 | 1 | Coil-Solenoid |
| 4:1 | 237-42 | 1 | O-Ring | 11 | 132-4891 | 1 | Disc-Orifice |
| 5 | 132-4894 | 1 | Valve-Relief, Poppet | 12 | 59-7410 | 1 | Fitting-Diagnostic |
| 6 | 132-4893 | 1 | Valve-Sequence, 110 PSI | 12:1 | 237-42 | 1 | O-Ring |
| 7 | 353-988 | 1 | Plug-Hex | 13 | 354-79 | 1 | Cap-Dust |
| 7:1 | 237-79 | 1 | O-Ring | 14 | 130-8180 | 1 | Nut-Coil (9/16-24 Unef-2B) |



RH Cutting Deck Drive Valve Assembly

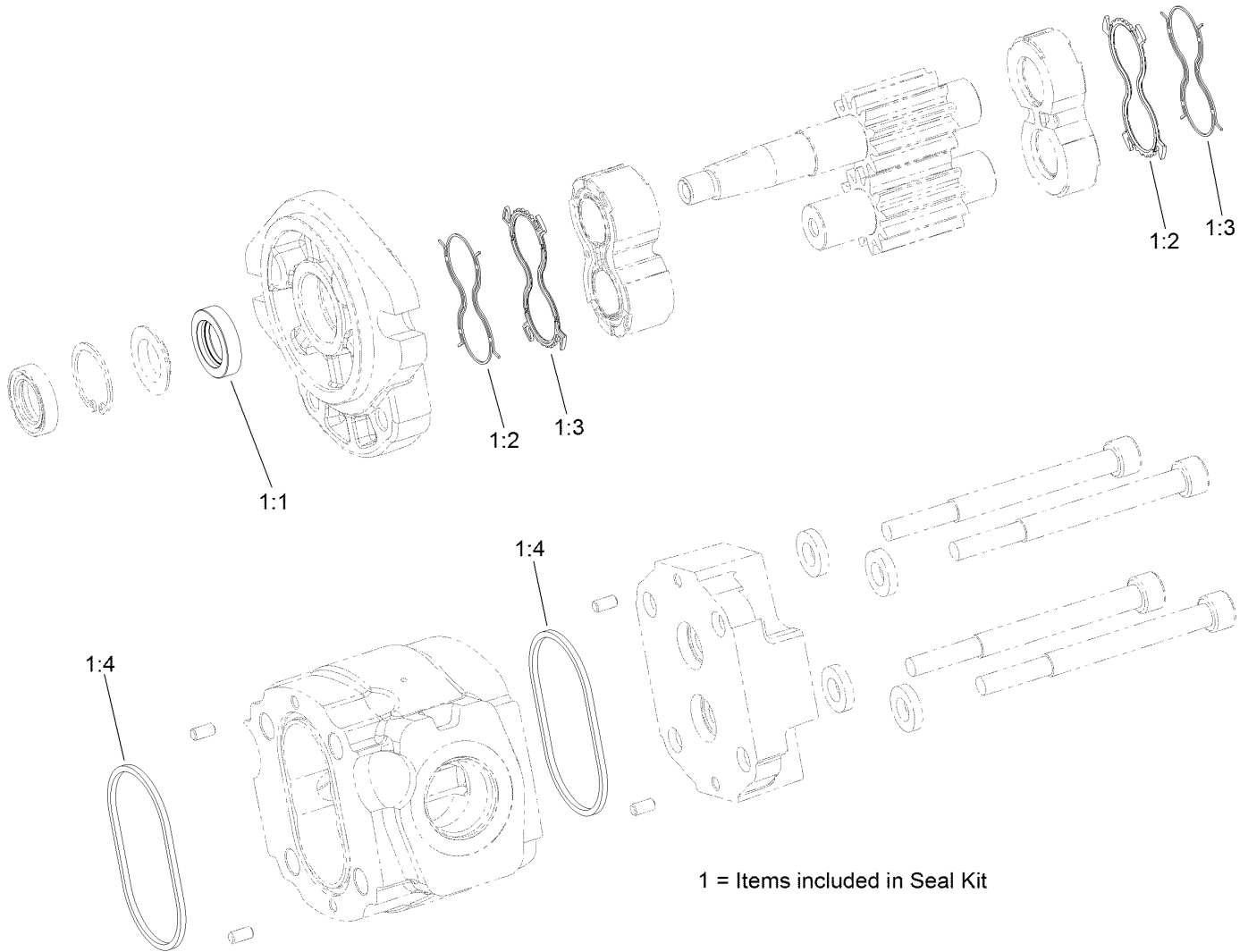
| Ref. | Part Number | Qty. | Description |
|------|-------------|------|-----------------------|
| 1 | 132-1396 | 1 | RH Deck Manifold ASM |
| 2 | 340-99 | 1 | Fitting-HYD, 90 DEG |
| 2:1 | 237-30 | 1 | O-Ring |
| 2:2 | 237-42 | 1 | O-Ring |
| 3 | 104-3797 | 1 | Fitting-Straight |
| 3:1 | 237-146 | 1 | O-Ring |
| 3:2 | 340-65 | 1 | O-Ring |
| 4 | 340-129 | 2 | Fitting-Elbow, 90 DEG |
| 4:1 | 237-146 | 1 | O-Ring |
| 4:2 | 340-65 | 1 | O-Ring |
| 5 | 104-3509 | 1 | Fitting-HYD, 45 DEG |
| 5:1 | 237-146 | 1 | O-Ring |
| 5:2 | 340-65 | 1 | O-Ring |



Hydraulic Manifold Assembly No. 132-1396

| <i>Ref.</i> | <i>Part Number</i> | <i>Qty.</i> | <i>Description</i> | <i>Ref.</i> | <i>Part Number</i> | <i>Qty.</i> | <i>Description</i> |
|-------------|--------------------|-------------|-------------------------|-------------|--------------------|-------------|----------------------------|
| 2 | 132-4896 | 2 | Element-Logic | 8 | 117-0227 | 1 | Valve-Relief, Proportional |
| 2:1 | 139-7839 | 1 | Seal Kit | 8:1 | 105-9156 | 1 | Seal Kit |
| 3 | 132-4895 | 1 | Orifice | 8:2 | 130-8180 | 1 | Nut-Coil (9/16-24 Unef-2B) |
| 4 | 353-508 | 1 | Plug-HH | 9 | 119-4619 | 1 | Coil-Solenoid |
| 4:1 | 237-42 | 1 | O-Ring | 11 | 132-4891 | 1 | Disc-Orifice |
| 5 | 132-4894 | 1 | Valve-Relief, Poppet | 12 | 59-7410 | 1 | Fitting-Diagnostic |
| 6 | 132-4893 | 1 | Valve-Sequence, 110 PSI | 12:1 | 237-42 | 1 | O-Ring |
| 7 | 353-988 | 1 | Plug-Hex | 13 | 354-79 | 1 | Cap-Dust |
| 7:1 | 237-79 | 1 | O-Ring | 14 | 130-8180 | 1 | Nut-Coil (9/16-24 Unef-2B) |

Hydraulic Motor Assembly No. 125-5392

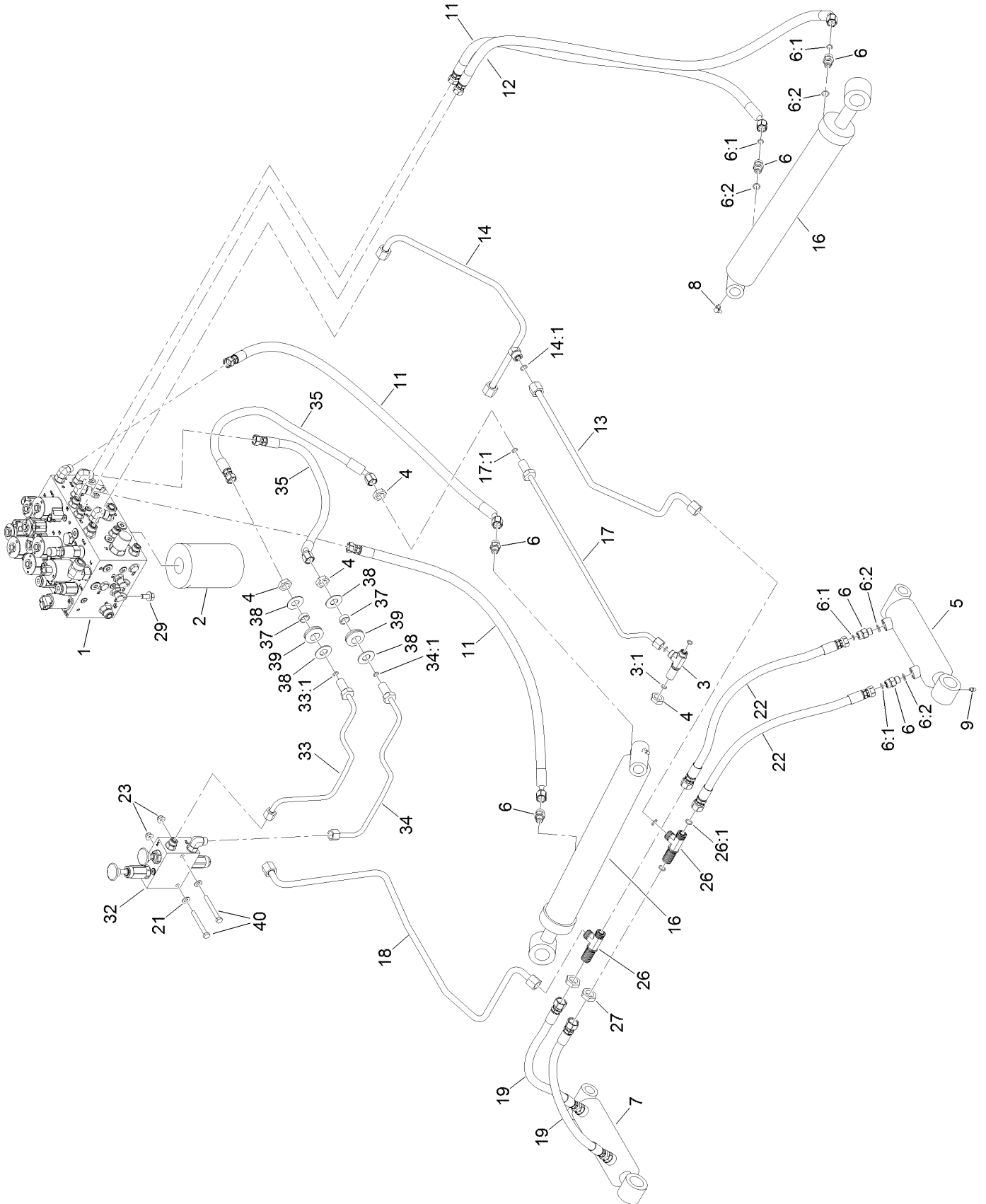


Hydraulic Motor Assembly No. 125-5392 (continued)

| <i>Ref.</i> | <i>Part Number</i> | <i>Qty.</i> | <i>Description</i> | <i>Ref.</i> | <i>Part Number</i> | <i>Qty.</i> | <i>Description</i> |
|-------------|--------------------|-------------|-------------------------|-------------|--------------------|-------------|-----------------------|
| 1 | 115-4110 | 1 | Seal Kit | 1:3 | | 2 | Seal-Anti Extrusion ● |
| 1:1 | | 2 | Seal-Shaft ● | 1:4 | | 2 | O-Ring (Housing) ● |
| 1:2 | | 2 | Seal-Plate, Balancing ● | | | | |

● Not serviced separately

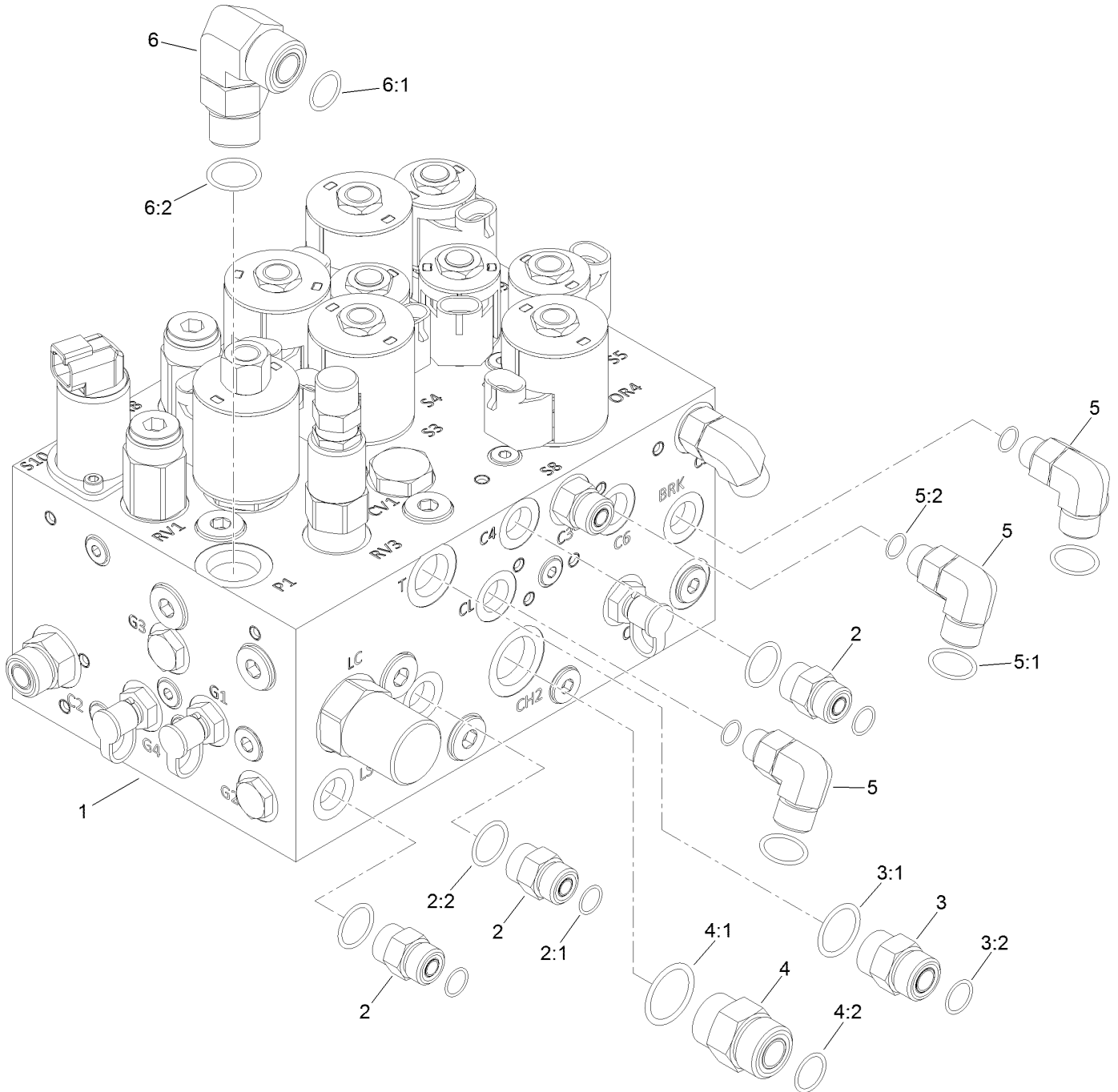
Hydraulic Steering/Lift Circuit Assembly



Hydraulic Steering/Lift Circuit Assembly (continued)

| <i>Ref.</i> | <i>Part Number</i> | <i>Qty.</i> | <i>Description</i> | <i>Ref.</i> | <i>Part Number</i> | <i>Qty.</i> | <i>Description</i> |
|-------------|--------------------|-------------|------------------------|-------------|--------------------|-------------|-----------------------------------|
| 1 | 137-5626 | 1 | Manifold-Steering/Lift | 18 | 130-9038 | 1 | Hydraulic Tube ASM |
| 2 | 75-1310 | 1 | Filter-HYD | 19 | 131-2298 | 2 | Hydraulic Hose ASM |
| 3 | 340-68 | 1 | Fitting-Tee, Bulkhead | 21 | 3256-23 | 2 | Washer-Plain |
| 3:1 | 237-22 | 3 | O-Ring | 22 | 131-2299 | 2 | Hydraulic Hose ASM |
| 4 | 340-70 | 4 | Nut-Lock | 23 | 104-8300 | 2 | Nut-HF, NI |
| 5 | 114-4831 | 1 | LH Lift Cylinder ASM | 26 | 340-121 | 2 | Fitting-Tee |
| 6 | 340-2 | 8 | Fitting-Straight | 26:1 | 237-30 | 3 | O-Ring |
| 6:1 | 237-22 | 1 | O-Ring | 27 | 340-127 | 2 | Nut-Bulkhead |
| 6:2 | 237-42 | 1 | O-Ring | 29 | 3234-12 | 4 | Screw-HHF |
| 7 | 114-4830 | 1 | RH Lift Cylinder ASM | 32 | 132-1378 | 1 | Manual Park Brake Manifold ASM |
| 8 | 302-60 | 2 | Fitting-Grease | 33 | 132-1380 | 1 | Hydraulic Tube ASM |
| 9 | 302-5 | 4 | Fitting-Grease | 33:1 | 237-22 | 1 | O-Ring |
| 11 | 131-2216 | 3 | Hydraulic Hose ASM | 34 | 132-1381 | 1 | Hydraulic Tube ASM |
| 12 | 131-2217 | 1 | Hydraulic Hose ASM | 34:1 | 237-22 | 1 | O-Ring |
| 13 | 130-9035 | 1 | Hydraulic Tube ASM | 35 | 132-1382 | 2 | Hydraulic Hose ASM |
| 14 | 131-2374 | 1 | Hydraulic Tube ASM | 37 | 69-8970 | 2 | Spacer |
| 14:1 | 237-30 | 1 | O-Ring | 38 | 69-8940 | 4 | Washer |
| 16 | 114-5685 | 2 | HYD Cylinder ASM | 39 | 240-4 | 2 | Grommet-Rubber |
| 17 | 131-2371 | 1 | Hydraulic Tube ASM | 40 | 322-13 | 2 | Screw-HH |
| 17:1 | 237-22 | 1 | O-Ring | | | | |

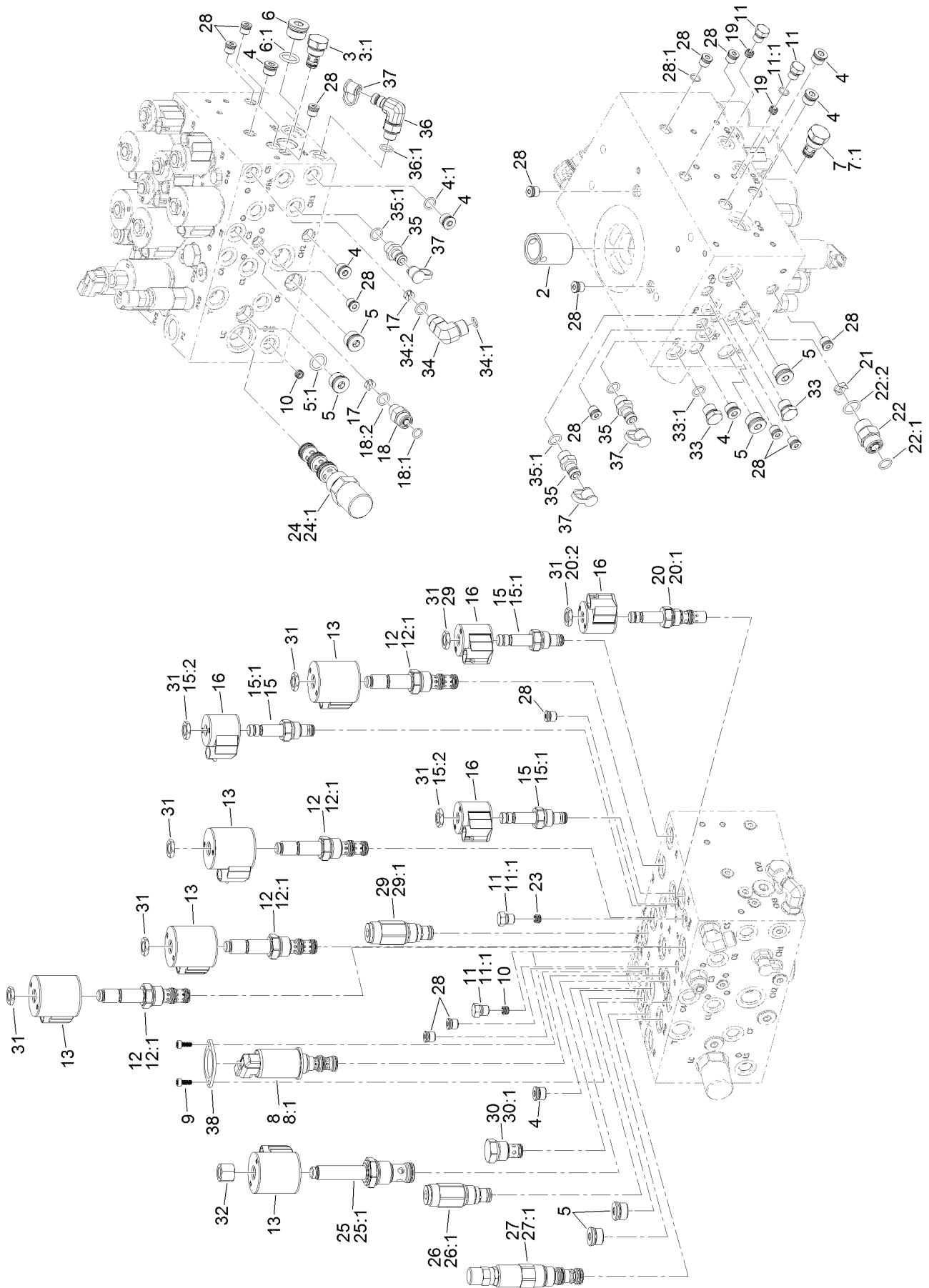
Steering/Lift Valve Assembly No. 137-5626



Steering/Lift Valve Assembly No. 137-5626 (continued)

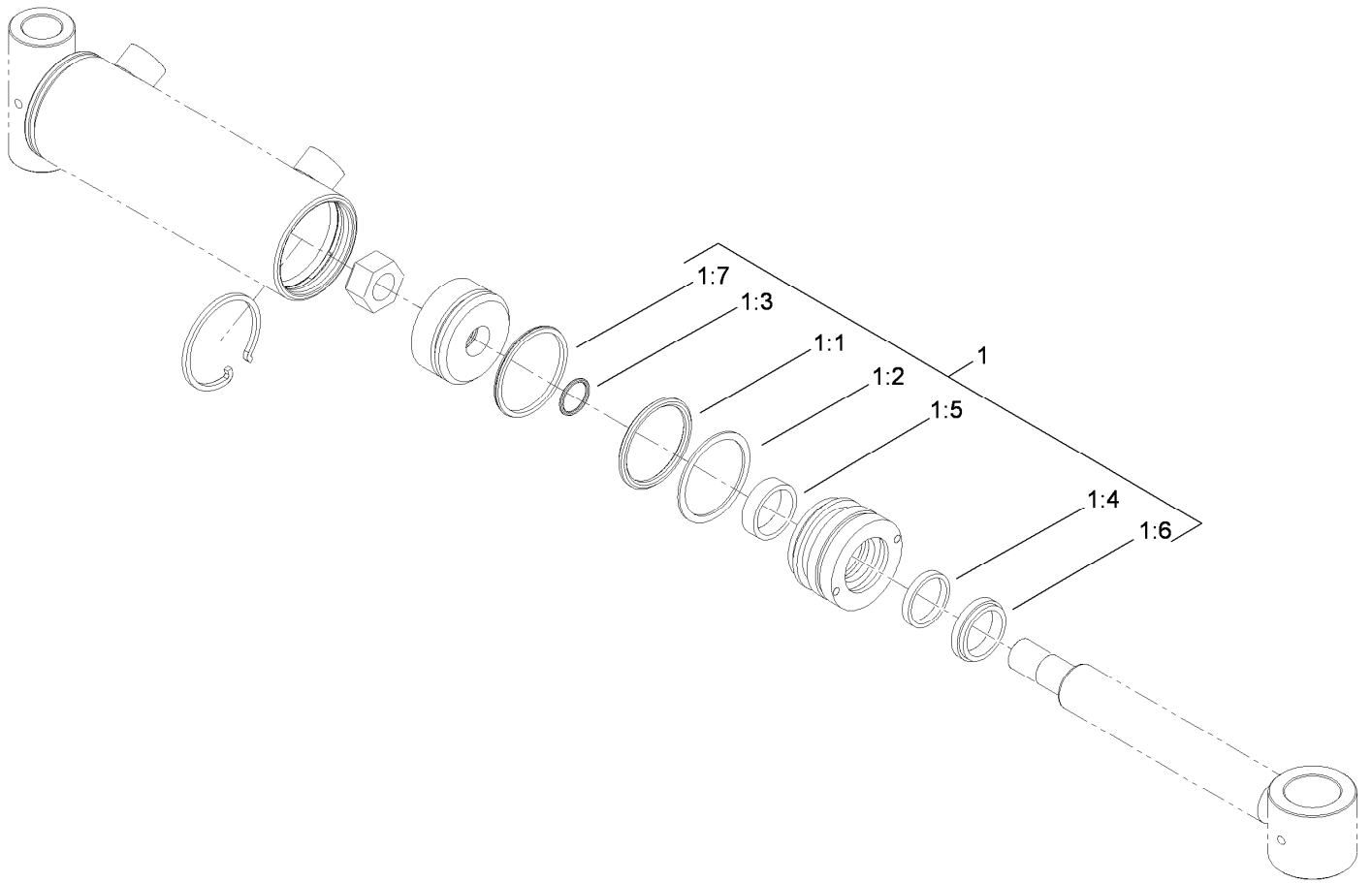
| <i>Ref.</i> | <i>Part Number</i> | <i>Qty.</i> | <i>Description</i> | <i>Ref.</i> | <i>Part Number</i> | <i>Qty.</i> | <i>Description</i> |
|-------------|--------------------|-------------|------------------------|-------------|--------------------|-------------|-----------------------|
| 1 | 137-5625 | 1 | Manifold-Steering/Lift | 4:1 | 237-30 | 1 | O-Ring |
| 2 | 340-2 | 3 | Fitting-Straight | 4:2 | 237-79 | 1 | O-Ring |
| 2:1 | 237-22 | 1 | O-Ring | 5 | 340-7 | 1 | Fitting-Straight |
| 2:2 | 237-42 | 1 | O-Ring | 5:1 | 237-65 | 1 | O-Ring |
| 3 | 340-77 | 3 | Fitting-Elbow, 90 DEG | 5:2 | 237-80 | 1 | O-Ring |
| 3:1 | 237-22 | 1 | O-Ring | 6 | 340-17 | 1 | Fitting-Elbow, 90 DEG |
| 3:2 | 237-42 | 1 | O-Ring | 6:1 | 237-65 | 1 | O-Ring |
| 4 | 340-4 | 1 | Fitting-Straight | 6:2 | 237-80 | 1 | O-Ring |

Hydraulic Steering/Lift Manifold Assembly No. 137-5625



Hydraulic Steering/Lift Manifold Assembly No. 137-5625 (continued)

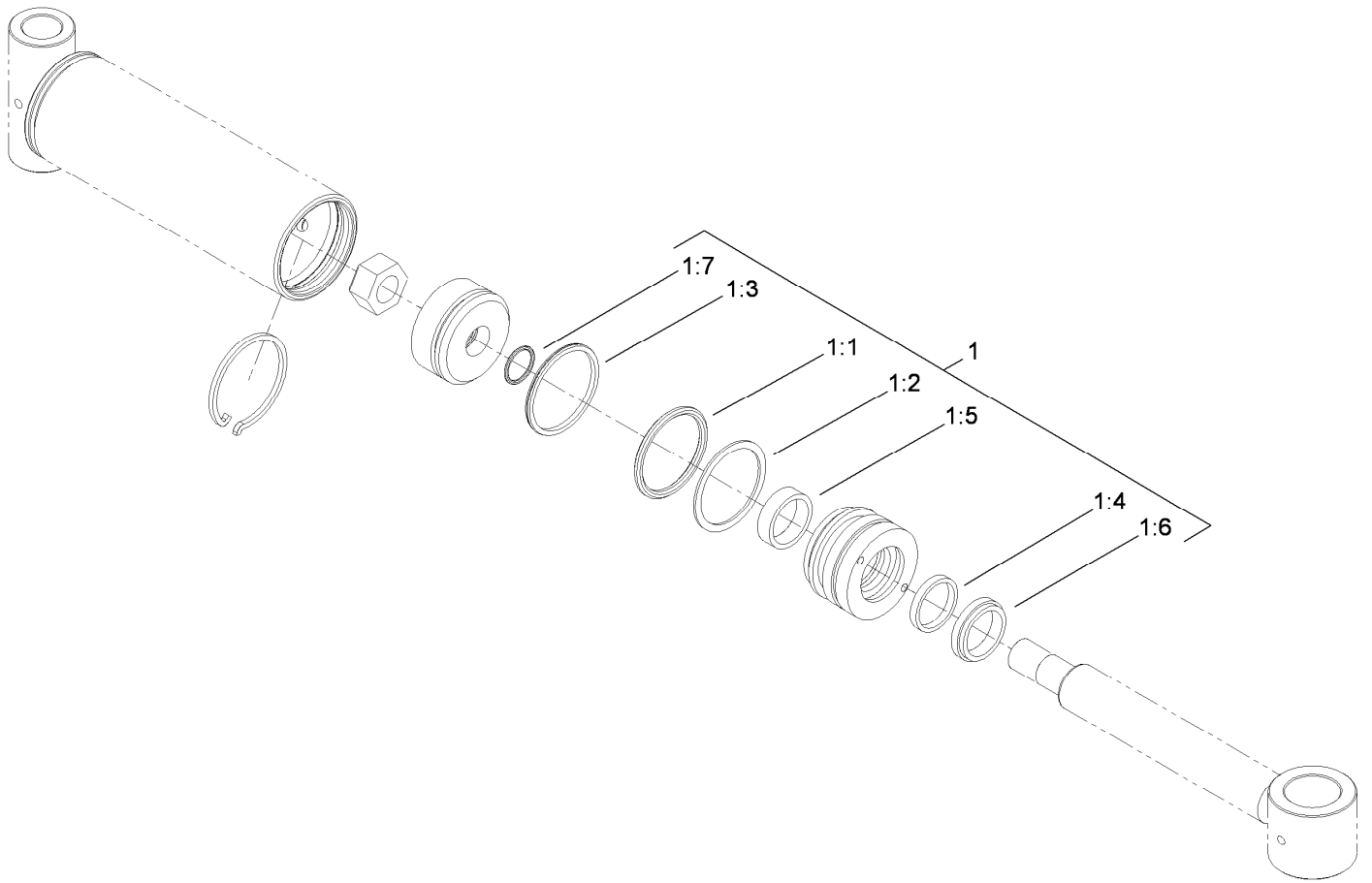
| <i>Ref.</i> | <i>Part Number</i> | <i>Qty.</i> | <i>Description</i> | <i>Ref.</i> | <i>Part Number</i> | <i>Qty.</i> | <i>Description</i> |
|-------------|--------------------|-------------|-------------------------------------|-------------|--------------------|-------------|---------------------------|
| 2 | 125-7551 | 1 | Nipple-Filter | 21 | 132-4918 | 1 | Orifice-Control, Flow |
| 3 | 132-4916 | 1 | Valve-Check | 22 | 340-4 | 1 | Fitting-Straight |
| 3:1 | 105-9156 | 1 | Seal Kit | 22:1 | 237-30 | 1 | O-Ring |
| 4 | 353-989 | 7 | Plug-Hex, Hollow | 22:2 | 237-79 | 1 | O-Ring |
| 4:1 | 237-42 | 1 | O-Ring | 23 | 130-1674 | 1 | Orifice-Control, Flow |
| 5 | 353-988 | 6 | Plug-Hex | 24 | 139-7834 | 1 | Pressure Compensator |
| 5:1 | 237-79 | 1 | O-Ring | 24:1 | 110-6111 | 1 | Seal Kit |
| 6 | 354-70 | 1 | Plug-Hex, Hollow | 25 | 132-4920 | 1 | Valve-Solenoid |
| 6:1 | 237-80 | 1 | O-Ring | 25:1 | 110-0470 | 1 | Seal Kit |
| 7 | 105-9321 | 1 | Check Valve ASM | 26 | 132-4921 | 1 | Valve-Relief, Poppet Type |
| 7:1 | 105-9156 | 1 | Seal Kit | 26:1 | 110-6316 | 1 | Seal Kit |
| 8 | 138-3828 | 1 | Valve-Solenoid, 3 Way 2 Position | 27 | 132-4923 | 1 | Vented Logic Element |
| 8:1 | 138-3831 | 1 | Seal Kit | 27:1 | 119-2159 | 1 | Seal Kit |
| 9 | 138-3827 | 2 | Screw | 28 | 353-990 | 15 | Plug ASM |
| 10 | 110-5973 | 2 | Orifice-0.030 | 28:1 | 237-78 | 1 | O-Ring |
| 11 | 353-512 | 4 | Plug | 29 | 132-4922 | 1 | Valve-Relief, Poppet Type |
| 11:1 | 237-78 | 1 | O-Ring | 29:1 | 110-6316 | 1 | Seal Kit |
| 12 | 125-7556 | 4 | Solenoid Valve ASM | 30 | 110-8881 | 1 | Valve-Check |
| 12:1 | 107-7813 | 1 | Seal Kit | 30:1 | 105-9159 | 1 | Seal Kit |
| 13 | 110-6344 | 5 | Coil-12V, DC | 31 | 110-2634 | 8 | Nut-Coil |
| 15 | 112-9206 | 3 | Solenoid Valve ASM | 32 | 130-8181 | 1 | Nut-Coil (1/2-20 Unf-2B) |
| 15:1 | 105-9156 | 1 | Seal Kit | 33 | 353-508 | 2 | Plug-HH |
| 15:2 | 110-2634 | 1 | Nut-Coil | 33:1 | 237-42 | 1 | O-Ring |
| 16 | 110-0497 | 4 | Coil-Solenoid | 34 | 340-77 | 1 | Fitting-Elbow, 90 DEG |
| 17 | 132-4917 | 2 | Orifice-Check, 0.088 DIA | 34:1 | 237-22 | 1 | O-Ring |
| 18 | 340-2 | 1 | Fitting-Straight | 34:2 | 237-42 | 1 | O-Ring |
| 18:1 | 237-22 | 1 | O-Ring | 35 | 59-7410 | 3 | Fitting-Diagnostic |
| 18:2 | 237-42 | 1 | O-Ring | 35:1 | 237-42 | 1 | O-Ring |
| 19 | 110-8887 | 2 | Plug-Orifice (0.055) | 36 | 115-9148 | 1 | Fitting-Elbow-90 |
| 20 | 115-5405 | 1 | Solenoid Valve ASM | 36:1 | 237-42 | 1 | O-Ring |
| 20:1 | 115-5413 | 1 | Seal Kit | 37 | 354-79 | 4 | Cap-Dust |
| 20:2 | 110-2634 | 1 | Nut-Coil | 38 | 138-3825 | 1 | Plate-Mounting, Standard |



Hydraulic Cylinder Assembly No. 114-4831

| <i>Ref.</i> | <i>Part Number</i> | <i>Qty.</i> | <i>Description</i> |
|-------------|--------------------|-------------|--------------------|
| 1 | 114-5611 | 1 | Seal Kit |
| 1:1 | | 1 | O-Ring ● |
| 1:2 | | 1 | Backup ● |
| 1:3 | | 1 | Seal-Bp ● |
| 1:4 | | 1 | Seal-Bs ● |
| 1:5 | | 1 | Ring-Wear ● |
| 1:6 | | 1 | Seal-Dust ● |
| 1:7 | | 1 | O-Ring ● |

● Not serviced separately

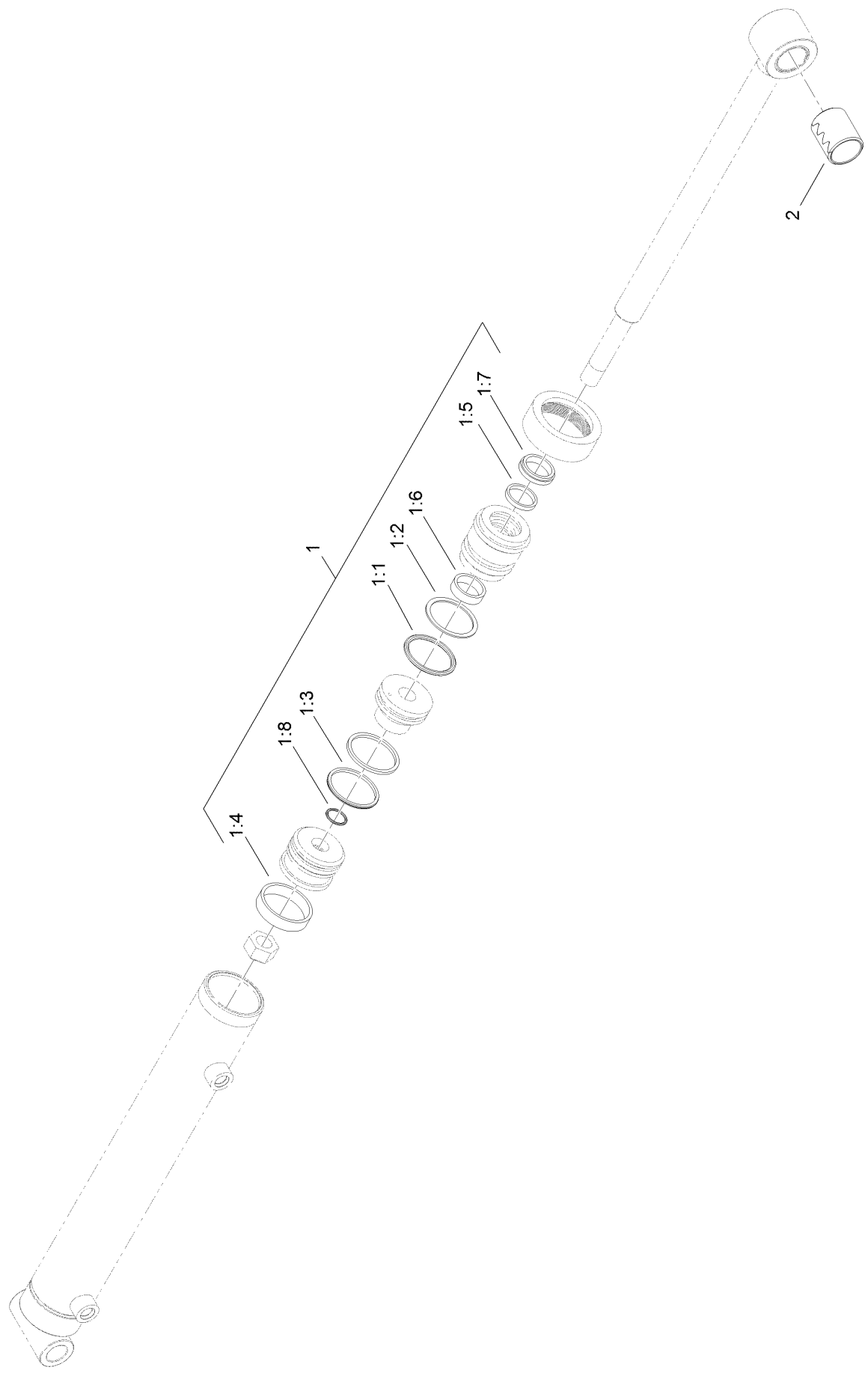


Hydraulic Cylinder Assembly No. 114-4830

| <i>Ref.</i> | <i>Part Number</i> | <i>Qty.</i> | <i>Description</i> |
|-------------|--------------------|-------------|--------------------|
| 1 | 114-5611 | 1 | Seal Kit |
| 1:1 | | 1 | O-Ring ● |
| 1:2 | | 1 | Backup ● |
| 1:3 | | 1 | Seal-Bp ● |
| 1:4 | | 1 | Seal-Bs ● |
| 1:5 | | 1 | Ring-Wear ● |
| 1:6 | | 1 | Seal-Dust ● |
| 1:7 | | 1 | O-Ring ● |

● Not serviced separately

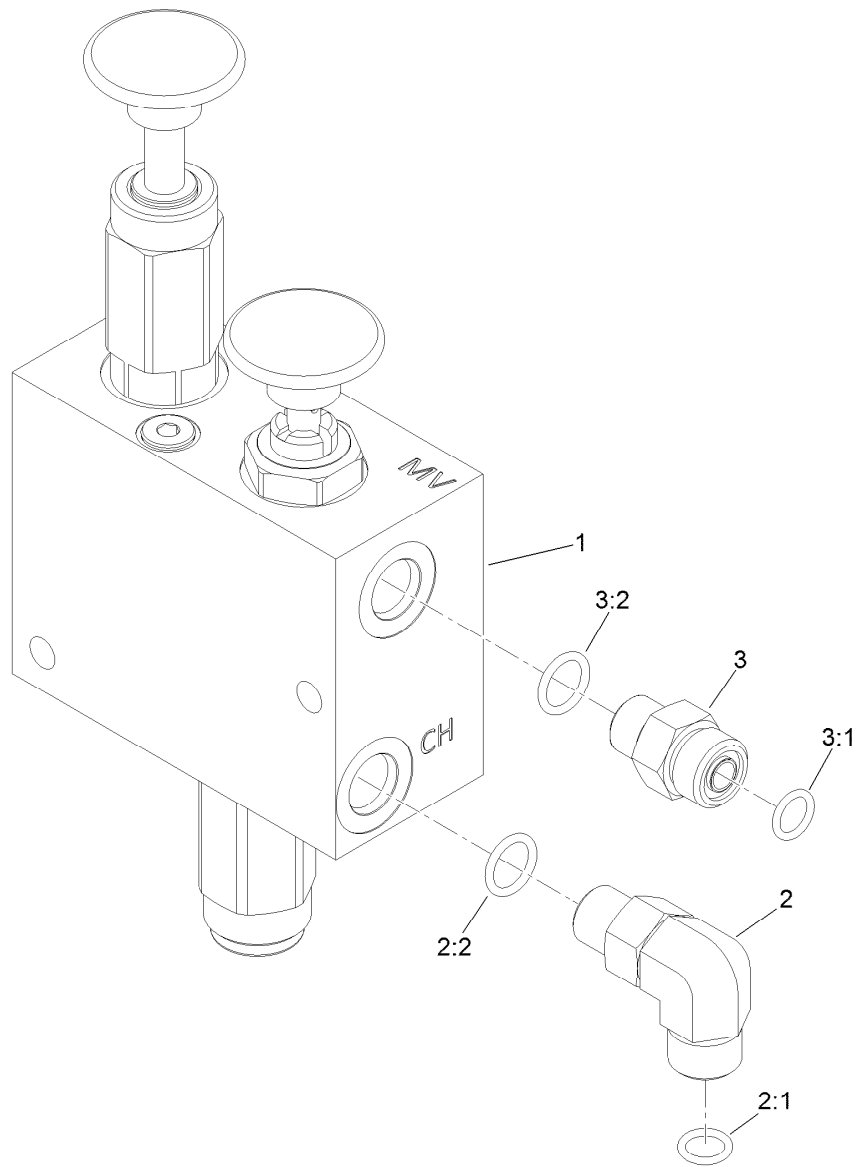
Hydraulic Cylinder Assembly No. 114-5685



Hydraulic Cylinder Assembly No. 114-5685 (continued)

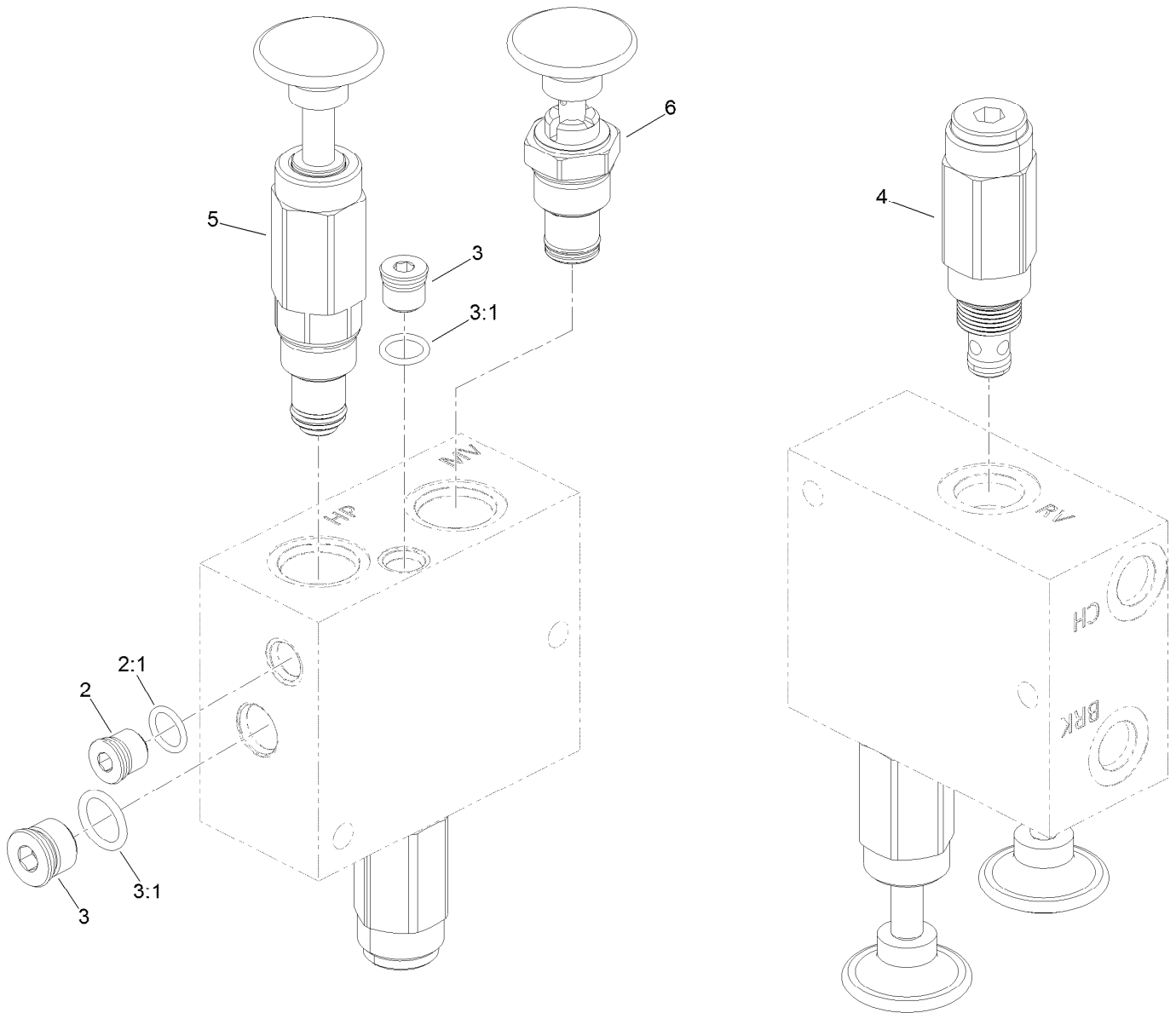
| <i>Ref.</i> | <i>Part Number</i> | <i>Qty.</i> | <i>Description</i> | <i>Ref.</i> | <i>Part Number</i> | <i>Qty.</i> | <i>Description</i> |
|-------------|--------------------|-------------|--------------------|-------------|--------------------|-------------|--------------------|
| 1 | 114-5612 | 1 | Seal Kit | 1:5 | | 1 | Seal-Bs ● |
| 1:1 | | 1 | O-Ring ● | 1:6 | | 1 | Ring-Wear ● |
| 1:2 | | 1 | Backup ● | 1:7 | | 1 | Seal-Dust ● |
| 1:3 | | 1 | Seal-Bp ● | 1:8 | | 1 | O-Ring ● |
| 1:4 | | 1 | Ring-Wear ● | 2 | 117-9407 | 1 | Bushing-Connex |

● Not serviced separately



Manual Parking Brake Manifold Assembly No. 132-1378

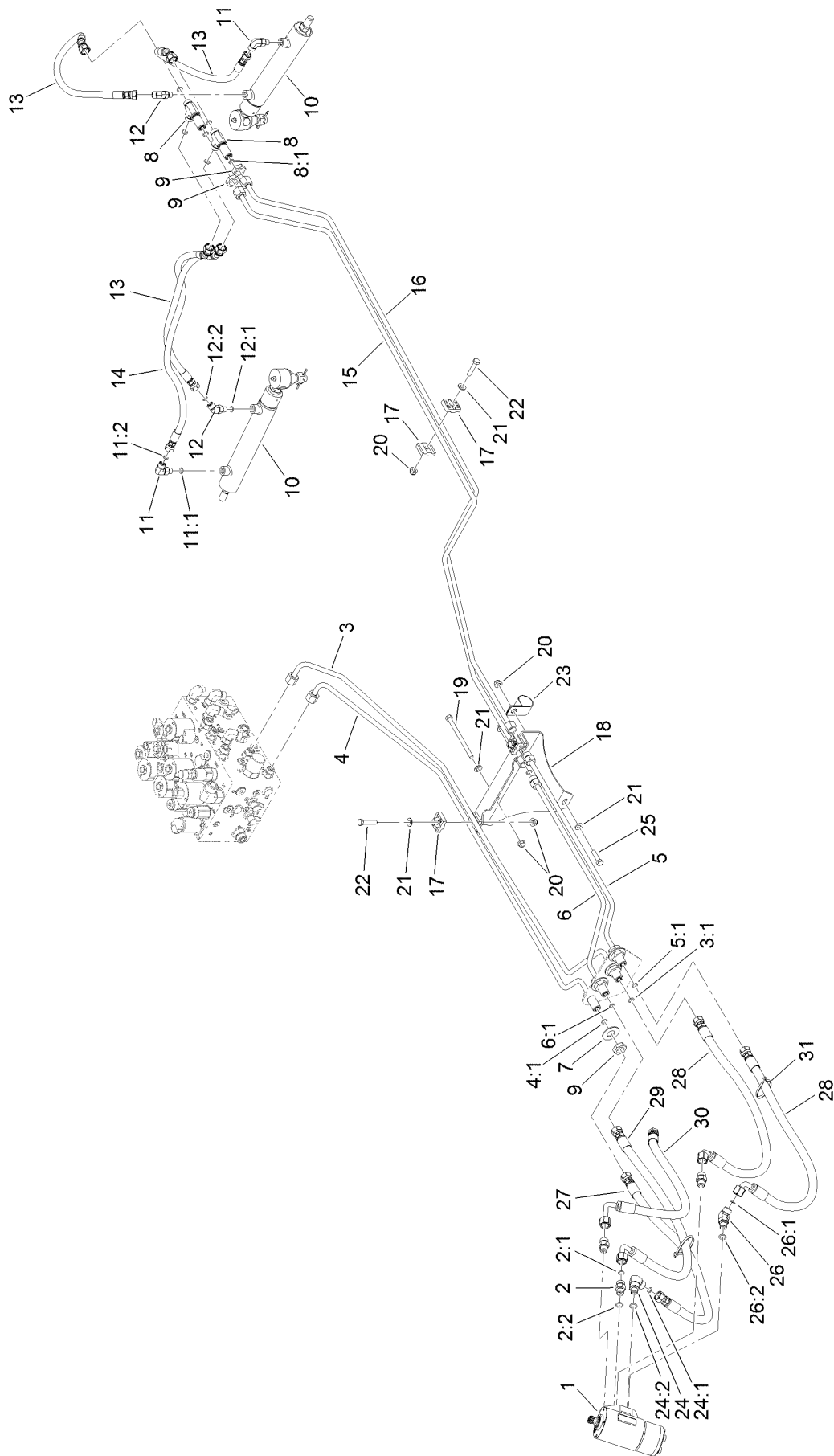
| <i>Ref.</i> | <i>Part Number</i> | <i>Qty.</i> | <i>Description</i> |
|-------------|--------------------|-------------|--------------------------------|
| 1 | 132-1399 | 1 | Manual Park Brake Manifold ASM |
| 2 | 340-77 | 1 | Fitting-Elbow, 90 DEG |
| 2:1 | 237-22 | 1 | O-Ring |
| 2:2 | 237-42 | 1 | O-Ring |
| 3 | 340-2 | 1 | Fitting-Straight |
| 3:1 | 237-22 | 1 | O-Ring |
| 3:2 | 237-42 | 1 | O-Ring |



Hydraulic Parking Brake Manifold Assembly No. 132-1399

| <i>Ref.</i> | <i>Part Number</i> | <i>Qty.</i> | <i>Description</i> |
|-------------|--------------------|-------------|---------------------|
| 2 | 353-989 | 1 | Plug-Hex, Hollow |
| 2:1 | 237-42 | 1 | O-Ring |
| 3 | 353-990 | 2 | Plug ASM |
| 3:1 | 237-78 | 1 | O-Ring |
| 4 | 132-4905 | 1 | Valve-Relief |
| 5 | 132-4904 | 1 | Pump-Hand |
| 6 | 132-4903 | 1 | Valve-2 Way, Manual |

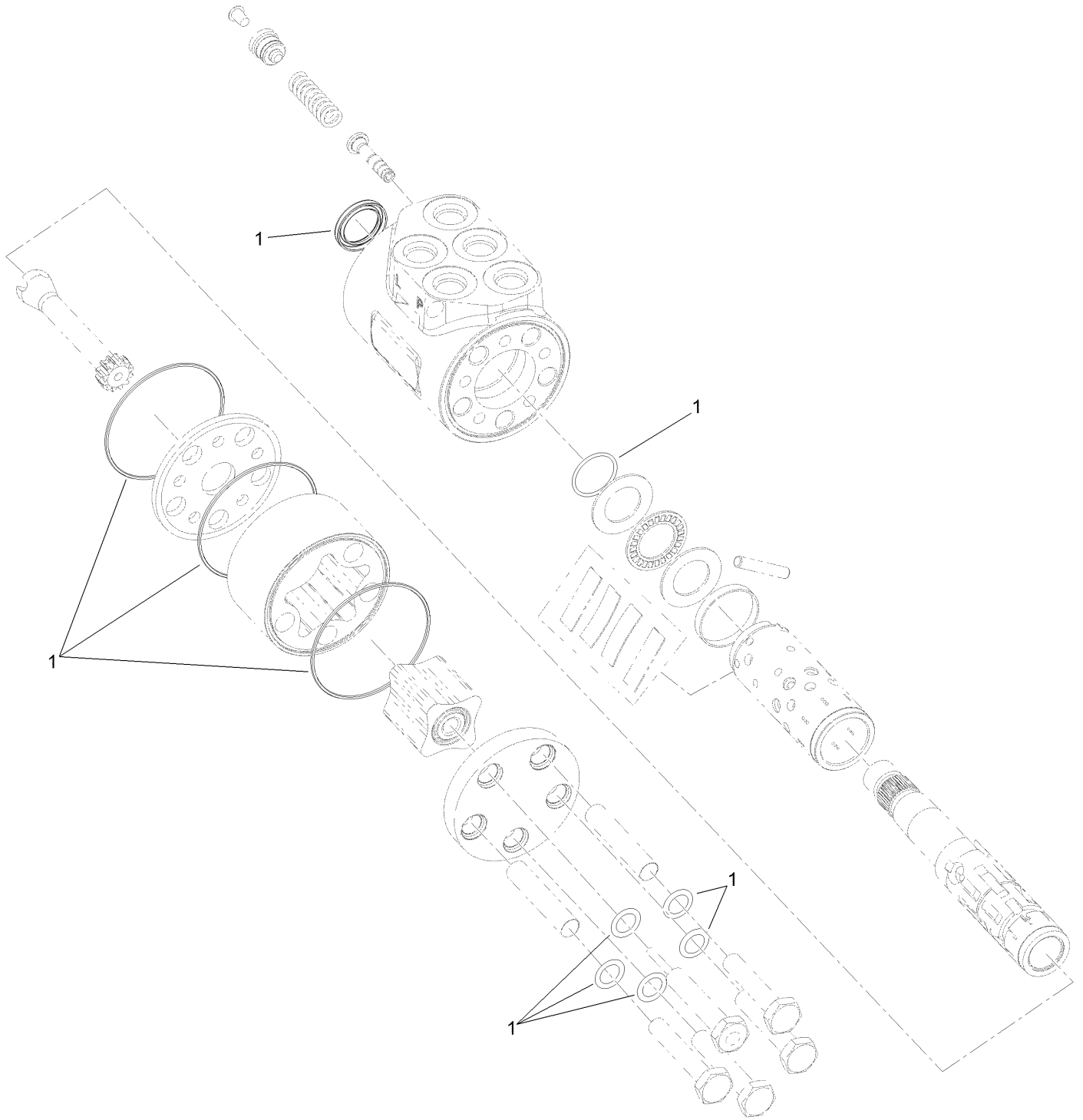
Hydraulic Steering Assembly



Hydraulic Steering Assembly (continued)

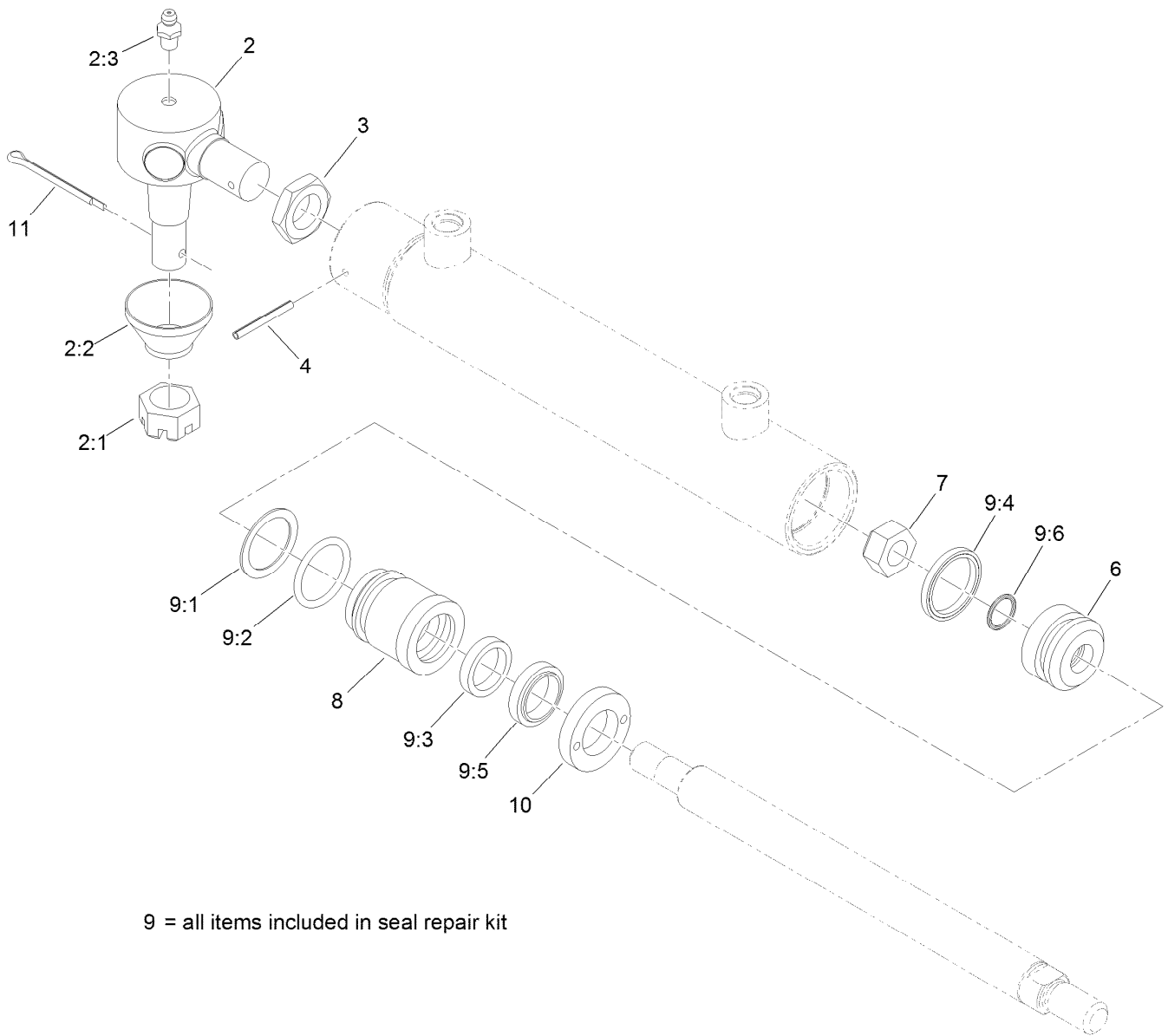
| <i>Ref.</i> | <i>Part Number</i> | <i>Qty.</i> | <i>Description</i> | <i>Ref.</i> | <i>Part Number</i> | <i>Qty.</i> | <i>Description</i> |
|-------------|--------------------|-------------|-----------------------|-------------|--------------------|-------------|-----------------------|
| 1 | 132-6256 | 1 | Valve-Steer | 13 | 114-4922 | 3 | HYD Hose ASM |
| 2 | 340-2 | 3 | Fitting-Straight | 14 | 114-4934 | 1 | HYD Hose ASM |
| 2:1 | 237-22 | 1 | O-Ring | 15 | 125-5352 | 1 | Hydraulic Tube ASM |
| 2:2 | 237-42 | 1 | O-Ring | 16 | 125-5353 | 1 | Hydraulic Tube ASM |
| 3 | 139-0965 | 1 | Hydraulic Tube ASM | 17 | 56-7973 | 6 | Clamp-Tube |
| 3:1 | 237-22 | 1 | O-Ring | 18 | 127-3492-0P | 1 | Support-Hardlines |
| 4 | 139-0964 | 1 | Hydraulic Tube ASM | 19 | 322-38 | 2 | Screw-HH |
| 4:1 | 237-22 | 1 | O-Ring | 20 | 104-8300 | 6 | Nut-HF, NI |
| 5 | 139-0963 | 1 | Hydraulic Tube ASM | 21 | 3256-23 | 6 | Washer-Plain |
| 5:1 | 237-22 | 2 | O-Ring | 22 | 322-7 | 3 | Screw-HH |
| 6 | 139-0966 | 1 | Hydraulic Tube ASM | 23 | 2412-82 | 1 | Clamp-R |
| 6:1 | 237-22 | 2 | O-Ring | 24 | 340-77 | 1 | Fitting-Elbow, 90 DEG |
| 7 | 69-8940 | 4 | Washer | 24:1 | 237-22 | 1 | O-Ring |
| 8 | 340-68 | 2 | Fitting-Tee, Bulkhead | 24:2 | 237-42 | 1 | O-Ring |
| 8:1 | 237-22 | 3 | O-Ring | 25 | 322-6 | 1 | Screw-HH |
| 9 | 340-70 | 6 | Nut-Lock | 26 | 340-87 | 1 | Fitting-Elbow, 45 DEG |
| 10 | 132-1308 | 2 | HYD Cylinder ASM | 26:1 | 237-22 | 1 | O-Ring |
| 11 | 340-132 | 2 | Fitting-Elbow, 90 DEG | 26:2 | 237-42 | 1 | O-Ring |
| 11:1 | 237-78 | 1 | O-Ring | 27 | 139-0988 | 1 | Hose ASM |
| 11:2 | 237-21 | 1 | O-Ring | 28 | 139-0986 | 2 | Hose ASM |
| 12 | 340-103 | 2 | Fitting-HYD, 45 DEG | 29 | 139-0987 | 1 | Hose ASM |
| 12:1 | 237-78 | 1 | O-Ring | 30 | 139-0985 | 1 | Hose ASM |
| 12:2 | 237-21 | 1 | O-Ring | 31 | 3290-378 | 2 | Tie-Cable |

Steering Valve Assembly No. 132-6256



Steering Valve Assembly No. 132-6256 (continued)

| <i>Ref.</i> | <i>Part Number</i> | <i>Qty.</i> | <i>Description</i> |
|-------------|--------------------|-------------|--------------------|
| 1 | 106-6716 | 1 | Seal Kit |



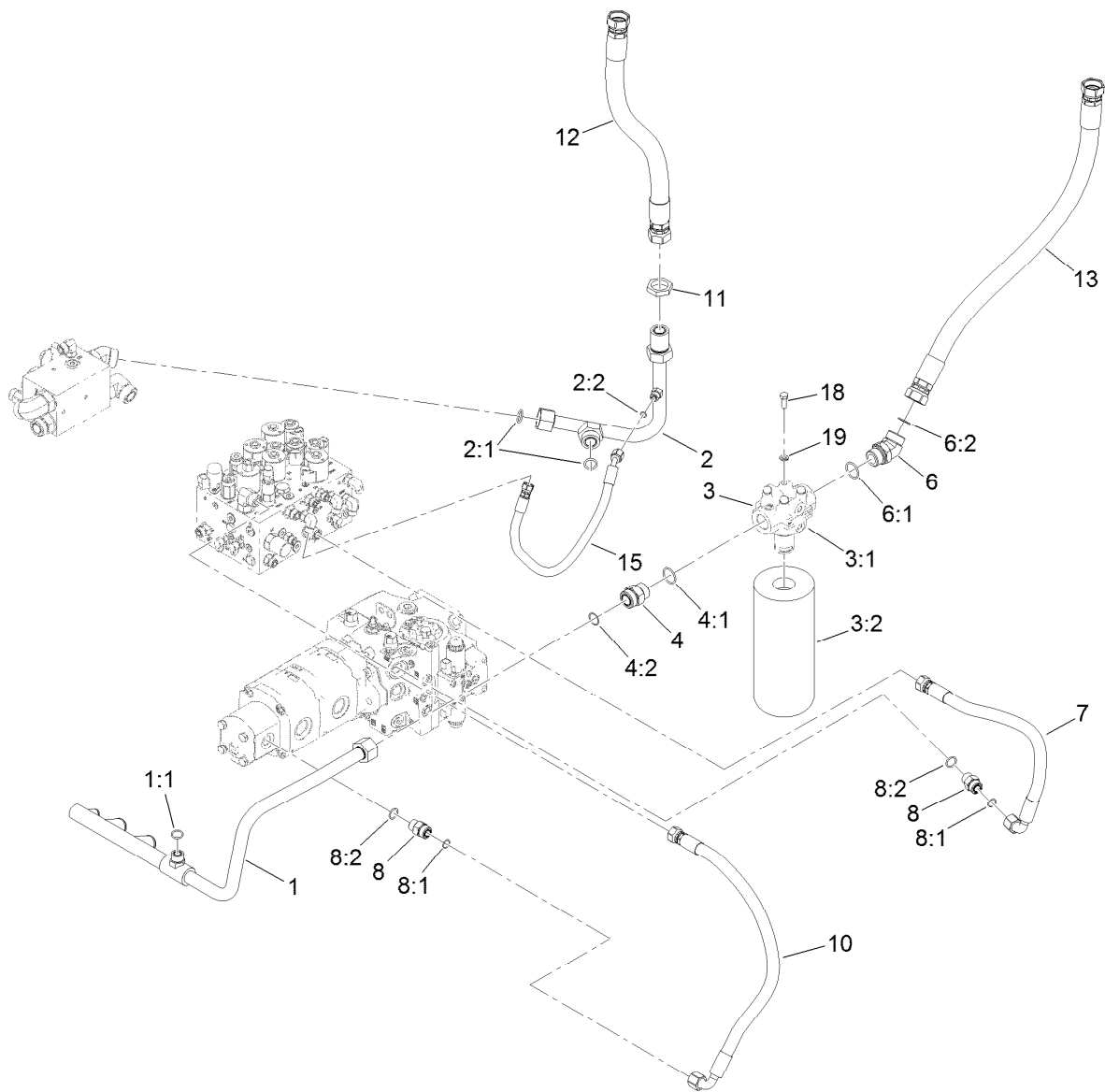
9 = all items included in seal repair kit

Hydraulic Cylinder Assembly No. 132-1308

| Ref. | Part Number | Qty. | Description |
|------|-------------|------|------------------|
| 2 | 82-5730 | 1 | Tie Rod End ASM |
| 2:1 | 105-7941 | 1 | Nut-Hex, Slotted |
| 2:2 | 105-7835 | 1 | Seal |
| 2:3 | 302-5 | 1 | Fitting-Grease |
| 3 | 69-1980 | 1 | Nut-Jam |
| 4 | 32121-34 | 1 | Pin-Roll |
| 6 | 133-2476 | 1 | Piston |
| 7 | 133-2477 | 1 | Nut-Lock |
| 8 | 133-2478 | 1 | Head |

| Ref. | Part Number | Qty. | Description |
|------|-------------|------|-----------------|
| 9 | 133-2479 | 1 | Seal Repair Kit |
| 9:1 | | 1 | O-Ring ● |
| 9:2 | | 1 | Ring-Backup ● |
| 9:3 | | 1 | Seal-Bt ● |
| 9:4 | | 1 | Seal-Psp ● |
| 9:5 | | 1 | Seal-Psp ● |
| 9:6 | | 1 | O-Ring ● |
| 10 | 133-2482 | 1 | Collar-Internal |
| 11 | 3272-12 | 1 | Pin-Cotter |

● Not serviced separately

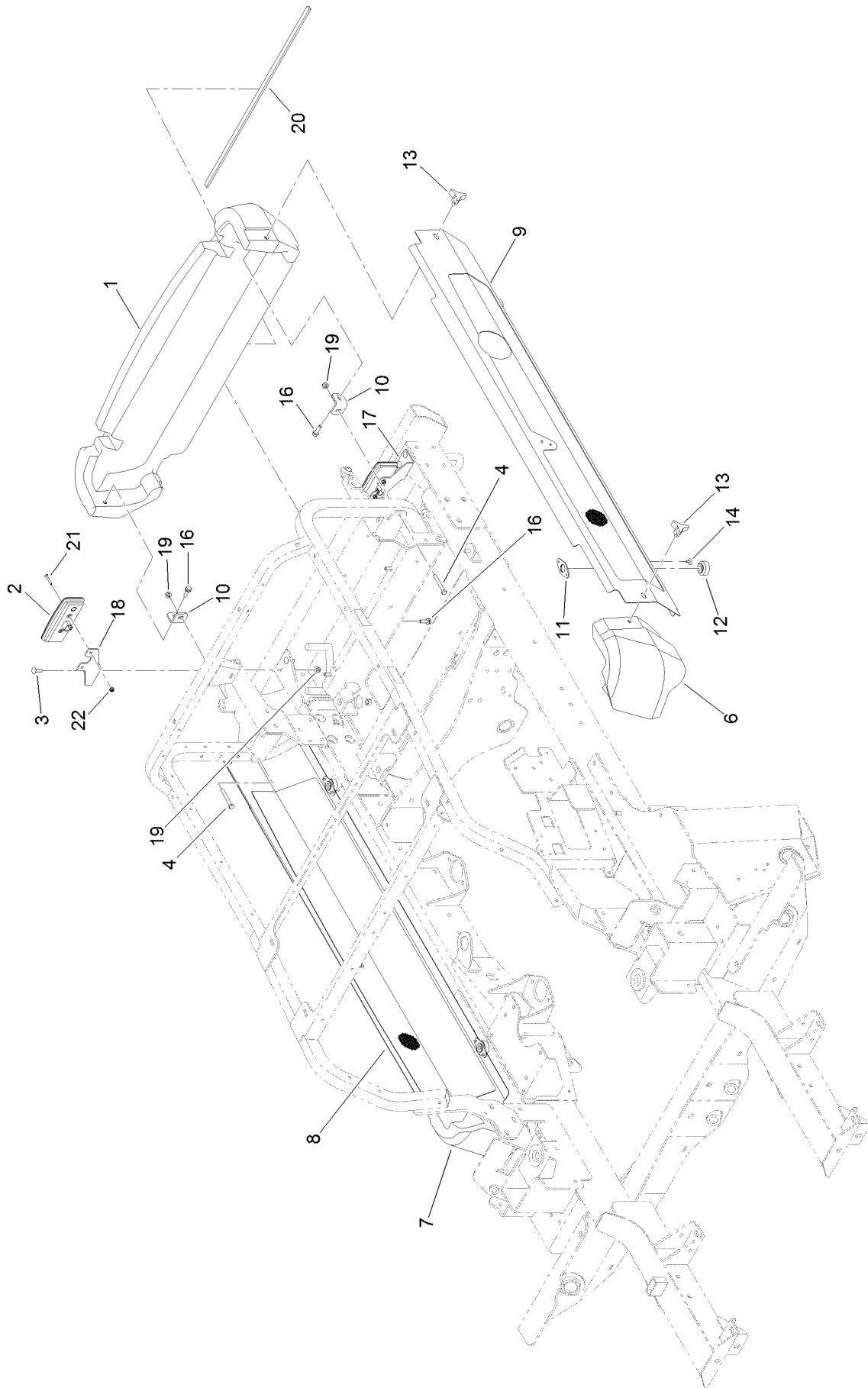


Hydraulic Filter Manifold Assembly

| Ref. | Part Number | Qty. | Description | Ref. | Part Number | Qty. | Description |
|------|-------------|------|---------------------|------|-------------|------|--------------------|
| 1 | 130-2510 | 1 | Manifold-Suction | 6:2 | 340-65 | 1 | O-Ring |
| 1:1 | 237-65 | 1 | O-Ring | 7 | 127-3519 | 1 | Hydraulic Hose ASM |
| 2 | 130-2548 | 1 | Hydraulic Tube ASM | 8 | 340-7 | 2 | Fitting-Straight |
| 2:1 | 340-65 | 2 | O-Ring | 8:1 | 237-65 | 1 | O-Ring |
| 2:2 | 237-22 | 1 | O-Ring | 8:2 | 237-80 | 1 | O-Ring |
| 3 | 132-1404 | 1 | Filter Head ASM | 10 | 130-2544 | 1 | Hydraulic Hose ASM |
| 3:1 | | 1 | Head-Filter ● | 11 | 340-128 | 1 | Nut-Bulkhead |
| 3:2 | 86-6110 | 1 | Filter-Hydraulic | 12 | 130-2514 | 1 | Hydraulic Hose ASM |
| 4 | 104-3797 | 1 | Fitting-Straight | 13 | 125-5366 | 1 | Hydraulic Hose ASM |
| 4:1 | 237-146 | 1 | O-Ring | 15 | 131-2216 | 1 | Hydraulic Hose ASM |
| 4:2 | 340-65 | 1 | O-Ring | 18 | 323-6 | 4 | Screw-HH |
| 6 | 104-3509 | 1 | Fitting-HYD, 45 DEG | 19 | 3253-21 | 4 | Washer-Lock |
| 6:1 | 237-146 | 1 | O-Ring | | | | |

● Not serviced separately

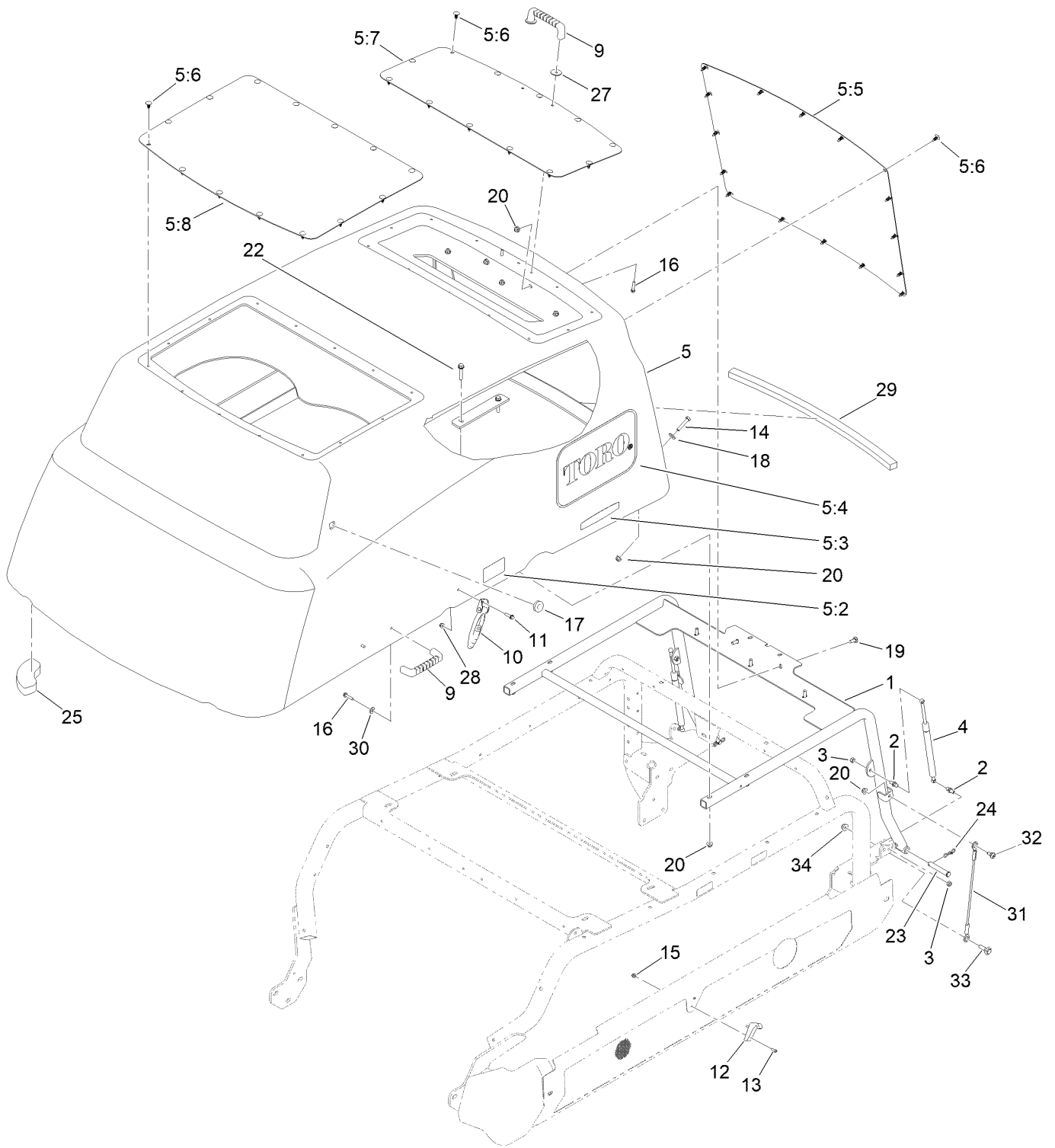
Side Panel and Bumper Assembly



Side Panel and Bumper Assembly (continued)

| <i>Ref.</i> | <i>Part Number</i> | <i>Qty.</i> | <i>Description</i> | <i>Ref.</i> | <i>Part Number</i> | <i>Qty.</i> | <i>Description</i> |
|-------------|--------------------|-------------|---------------------------|-------------|--------------------|-------------|--------------------|
| 1 | 130-9028 | 1 | Shroud-Rear, Lower | 12 | 114-4869 | 4 | Grommet |
| 2 | 139-2071 | 2 | Light-Rear Tail/Stop/Turn | 13 | 92-9674 | 4 | Knob |
| 3 | 3230-22 | 4 | Screw-CARR | 14 | 1-803035 | 8 | Rivet-Pop |
| 4 | 322-12 | 2 | Screw-HH | 16 | 3234-17 | 6 | Screw-HHF |
| 6 | 117-5456 | 1 | Shroud-Front, LH | 17 | 140-6929-03 | 1 | Bracket-Light, LH |
| 7 | 117-5457 | 1 | Shroud-Front, RH | 18 | 140-6930-03 | 1 | Bracket-Light, RH |
| 8 | 131-2390-03 | 1 | Panel-Side, RH | 19 | 104-8300 | 6 | Nut-HF, NI |
| 9 | 131-2393-03 | 1 | Panel-Side, LH | 20 | 131-2219 | 1 | Seal-Foam |
| 10 | 139-1017 | 2 | Mount-Bumper | 21 | 3250-23 | 4 | Screw-PPH |
| 11 | 114-5619 | 4 | Plate-Grommet | 22 | 120-4578 | 4 | Nut-HF |

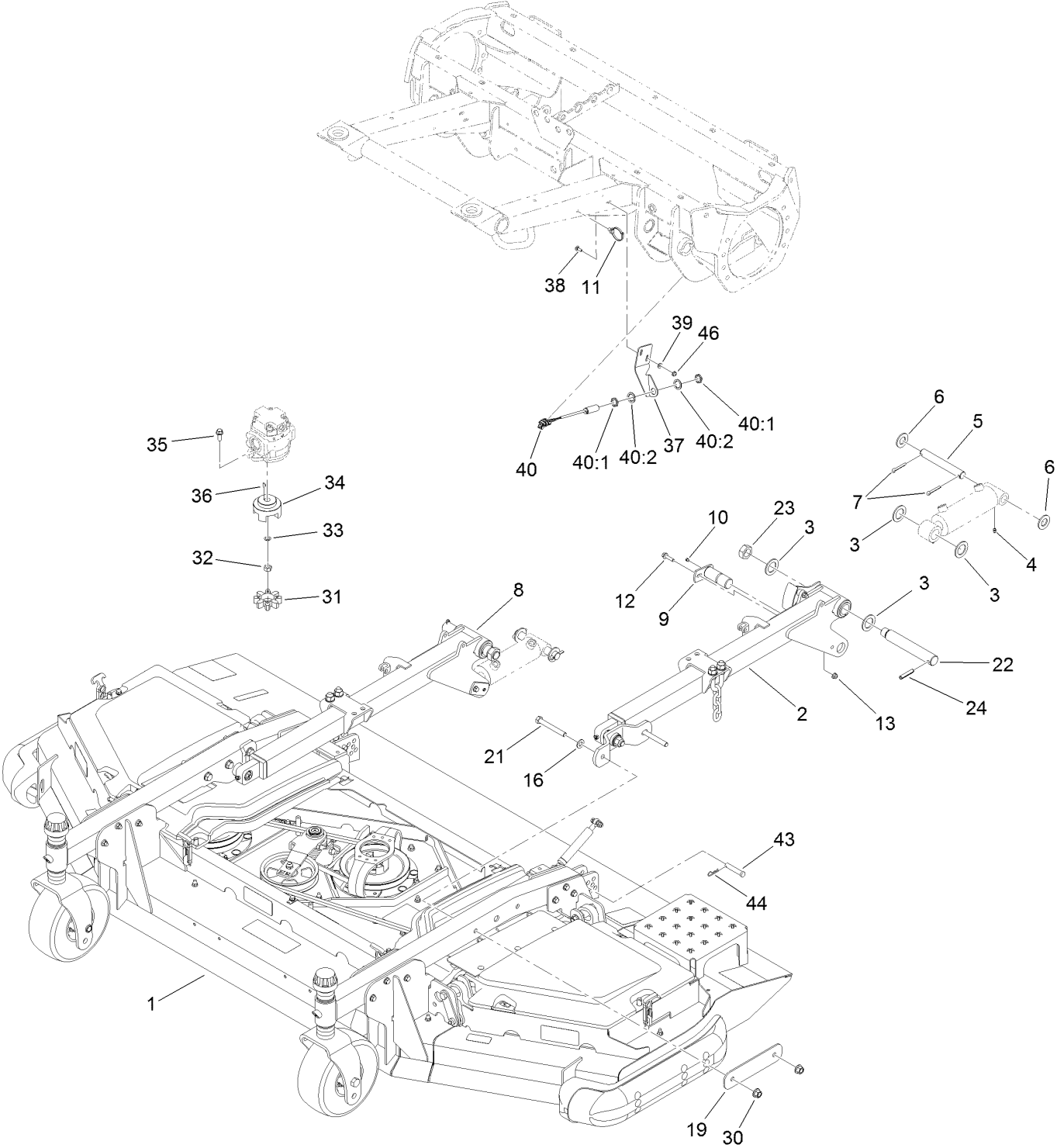
Hood Assembly



Hood Assembly (continued)

| <i>Ref.</i> | <i>Part Number</i> | <i>Qty.</i> | <i>Description</i> | <i>Ref.</i> | <i>Part Number</i> | <i>Qty.</i> | <i>Description</i> |
|-------------|--------------------|-------------|-------------------------|-------------|--------------------|-------------|---------------------|
| 1 | 130-9011-03 | 1 | Frame-Hood | 15 | 120-4578 | 4 | Nut-HF |
| 2 | 103-5752 | 4 | Stud-Ball | 16 | 137-3101 | 6 | Screw-Plastic, HWH |
| 3 | 32153-3 | 4 | Nut-Hex, Side Deform | 17 | 104-1453 | 1 | Grommet |
| 4 | 114-5532 | 2 | Cylinder-Gas | 18 | 3256-3 | 2 | Washer-Flat |
| 5 | 144-7165 | 1 | Hood ASM | 19 | 3230-10 | 5 | Bolt-CARR |
| 5:2 | 106-6754 | 2 | Decal-Danger | 20 | 104-8300 | 13 | Nut-HF, NI |
| 5:3 | 121-1594 | 2 | Decal-Smart Power | 22 | 94-5780 | 4 | Screw-HWH |
| 5:4 | 114-0990 | 2 | Decal | 23 | 283-55 | 2 | Pin-Clevis |
| 5:5 | 130-9010-03 | 1 | Screen-Radiator, Hood | 24 | 119-1416 | 2 | Pin-Cotter, Locking |
| 5:6 | 117-2382 | 42 | Plug-Plastic | 25 | 130-9019 | 2 | Foam-Hood, Corner |
| 5:7 | 130-9009-03 | 1 | Screen-Air Intake, Hood | 27 | 3256-57 | 2 | Washer-Flat |
| 5:8 | 140-5844-03 | 1 | Screen-Cooler, Hood | 28 | 104-7201 | 2 | Nut-HF, NI |
| 9 | 65-5100 | 3 | Handle-Door | 29 | 131-2359 | 1 | Foam-Hood |
| 10 | 103-2898 | 2 | Latch-Rubber | 30 | 3256-2 | 4 | Washer-Flat |
| 11 | 120-4654 | 2 | Screw-HHF | 31 | 130-5726 | 2 | Lanyard |
| 12 | 103-2897 | 2 | Latch-Catch | 32 | 120-9471 | 2 | Bolt-Shoulder |
| 13 | 3274-39 | 4 | Screw-HSBH | 33 | 614672 | 2 | Screw-Shoulder, HWH |
| 14 | 322-9 | 2 | Screw-HH | 34 | 104-8301 | 2 | Nut-HF, NI |

Center Front Deck Connection Assembly

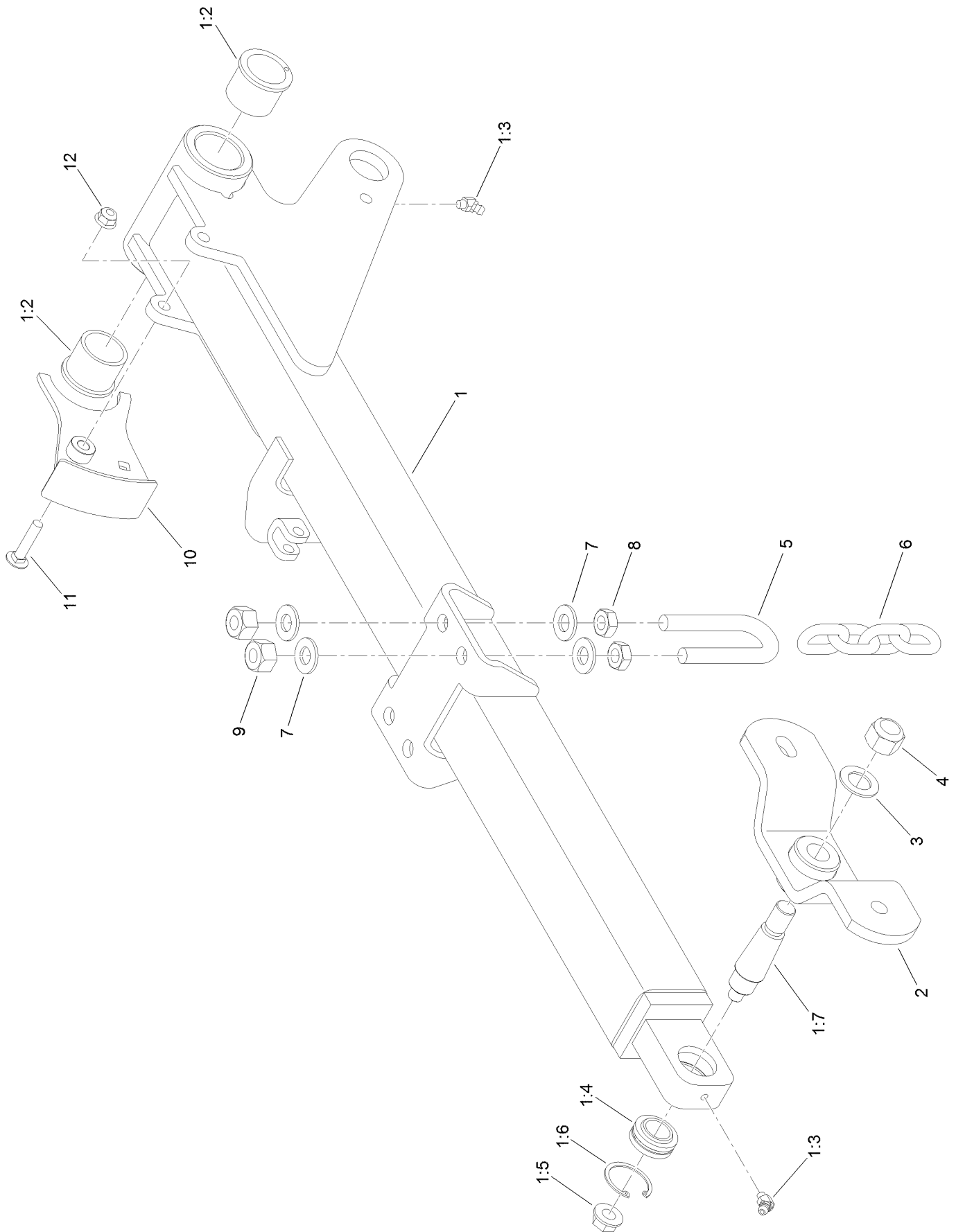


Center Front Deck Connection Assembly (continued)

| <i>Ref.</i> | <i>Part Number</i> | <i>Qty.</i> | <i>Description</i> | <i>Ref.</i> | <i>Part Number</i> | <i>Qty.</i> | <i>Description</i> |
|-------------|--------------------|-------------|-------------------------|-------------|--------------------|-------------|-----------------------------|
| 1 | | 1 | Front Center Deck ASM ● | 24 | 32121-110 | 2 | Pin-Roll, Slotted |
| 2 | 138-6368 | 1 | LH Front Lift Arm ASM | 30 | 99-5107 | 4 | Nut-Lock |
| 3 | AU495-81203 | 8 | Washer | 31 | 104-3542 | 1 | Spider |
| 4 | 302-5 | 4 | Fitting-Grease | 32 | 110-8815 | 1 | Nut-Hex |
| 5 | 110-6006 | 2 | Pin-Clevis | 33 | 112-6957 | 1 | Washer-Hardened |
| 6 | 3256-29 | 4 | Washer-Flat | 34 | 104-3541 | 1 | Hub-Spider |
| 7 | 3272-30 | 4 | Pin-Cotter | 35 | 3234-42 | 2 | Screw-HHF |
| 8 | 138-6369 | 1 | RH Front Lift Arm ASM | 36 | 3257-3 | 1 | Key-Woodruff |
| 9 | 125-1912 | 2 | Pin-Pivot | 37 | 133-2234-01 | 1 | Bracket-Sensor, Front |
| 10 | 1-811010 | 2 | Plug | 38 | 3229-1 | 2 | Screw-CARR |
| 11 | 32180-030 | 1 | Clip-Tie | 39 | 3256-22 | 2 | Washer-Flat |
| 12 | 119-4036 | 2 | Screw-HHF | 40 | 115-5300 | 1 | Proximity Switch ASM |
| 13 | 104-8300 | 2 | Nut-HF, NI | 40:1 | 117-3207 | 2 | Nut-Hex |
| 16 | 3256-26 | 4 | Washer-Flat | 40:2 | 117-3208 | 2 | Washer-Lock, Internal Tooth |
| 19 | 130-9233-01 | 2 | Plate-Reinforcing | 43 | 92-2743 | 2 | Pin-Clevis |
| 21 | 325-17 | 4 | Screw-HH | 44 | 3290-467 | 2 | Pin-Hair |
| 22 | 100-3017 | 2 | Pin-Arm, Lift | 46 | 104-7201 | 2 | Nut-HF, NI |
| 23 | 3296-49 | 2 | Nut-Lock, NI | | | | |

● Not serviced separately

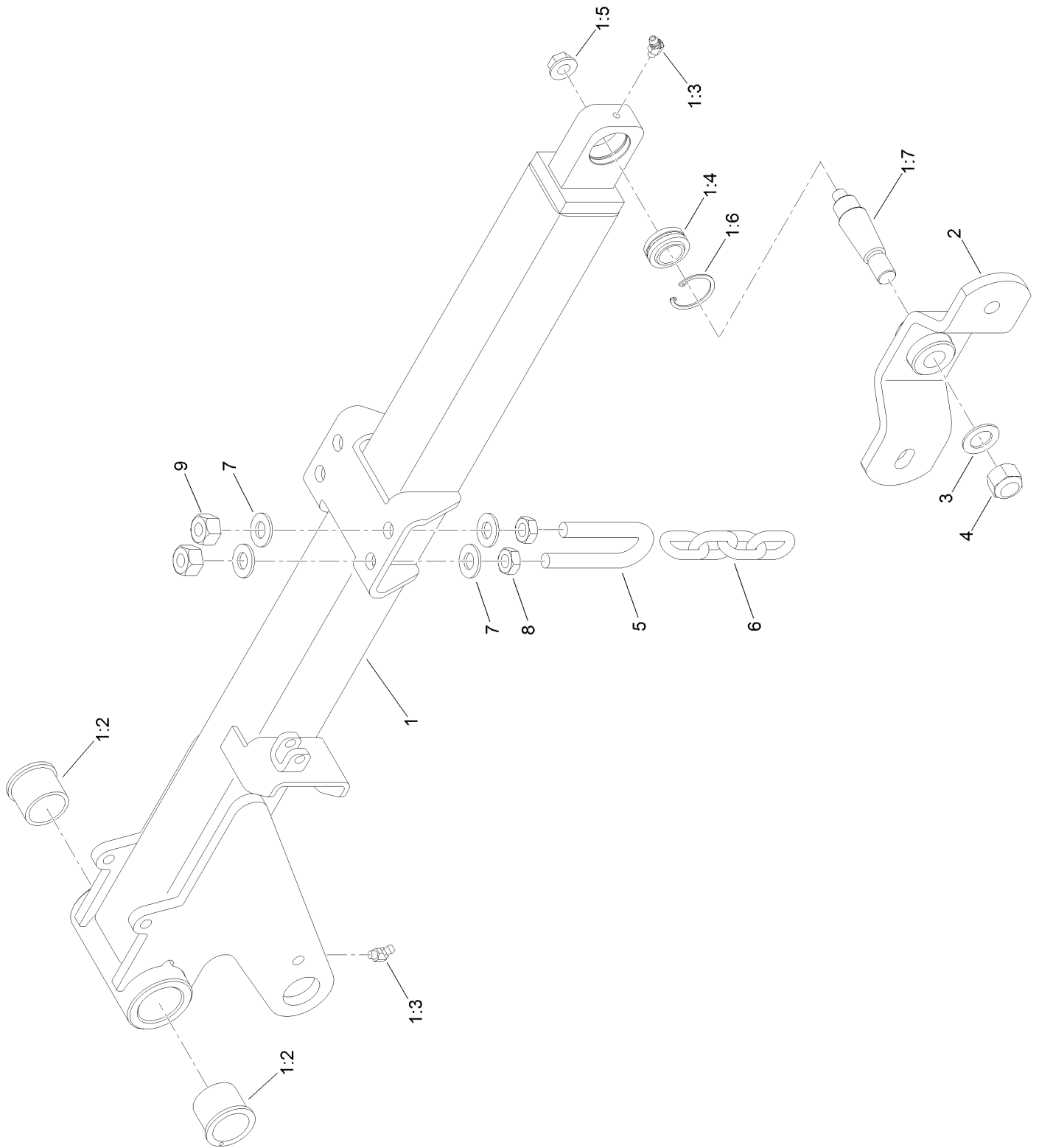
LH Front Lift Arm Assembly No. 138-6368



LH Front Lift Arm Assembly No. 138-6368 (continued)

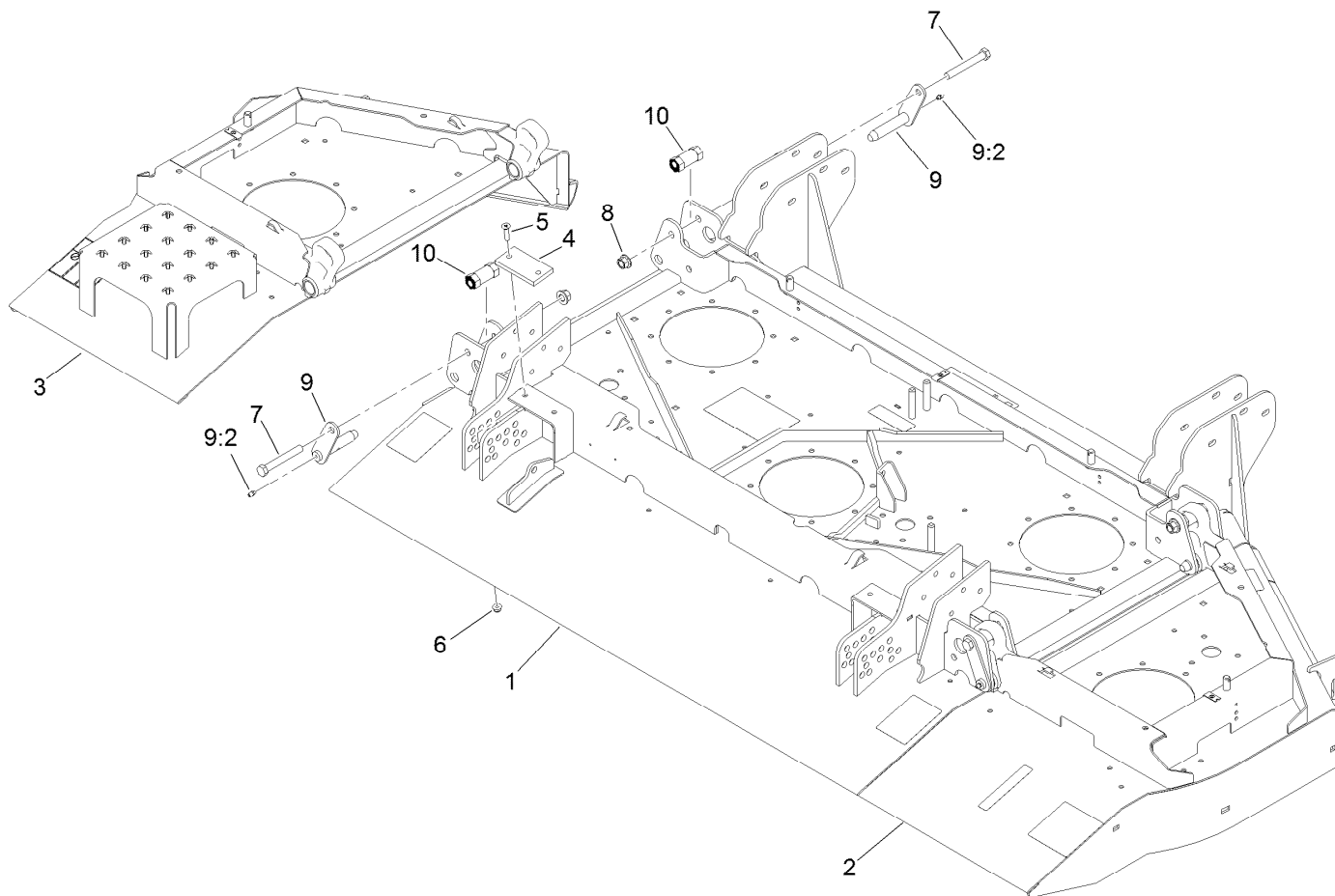
| <i>Ref.</i> | <i>Part Number</i> | <i>Qty.</i> | <i>Description</i> | <i>Ref.</i> | <i>Part Number</i> | <i>Qty.</i> | <i>Description</i> |
|-------------|--------------------|-------------|----------------------|-------------|--------------------|-------------|--------------------|
| 1 | 139-7837 | 1 | LH Lift Arm ASM | 4 | 3296-41 | 1 | Nut-Lock NI |
| 1:2 | 104-0015 | 2 | Bushing-Flange | 5 | 104-0108 | 1 | U-Bolt |
| 1:3 | 302-11 | 2 | Fitting-Lube, 45 DEG | 6 | 95-6231 | 1 | Chain-HOC |
| 1:4 | 105-7441 | 1 | Bearing-Spherical | 7 | 3256-26 | 4 | Washer-Flat |
| 1:5 | 32128-42 | 1 | Nut-HF | 8 | 3218-5 | 2 | Nut-Jam |
| 1:6 | 32151-34 | 1 | Ring-Retaining | 9 | 3296-25 | 2 | Nut-Lock, NI |
| 1:7 | 105-7468 | 1 | Stud-Tapered | 10 | 139-7770 | 1 | Trigger-Sensor |
| 2 | 137-3581-01 | 1 | Hub Support ASM | 11 | 3230-4 | 1 | Bolt-CARR |
| 3 | 86-1440 | 1 | Washer-Flat | 12 | 104-8300 | 1 | Nut-HF, NI |

RH Front Lift Arm Assembly No. 138-6369



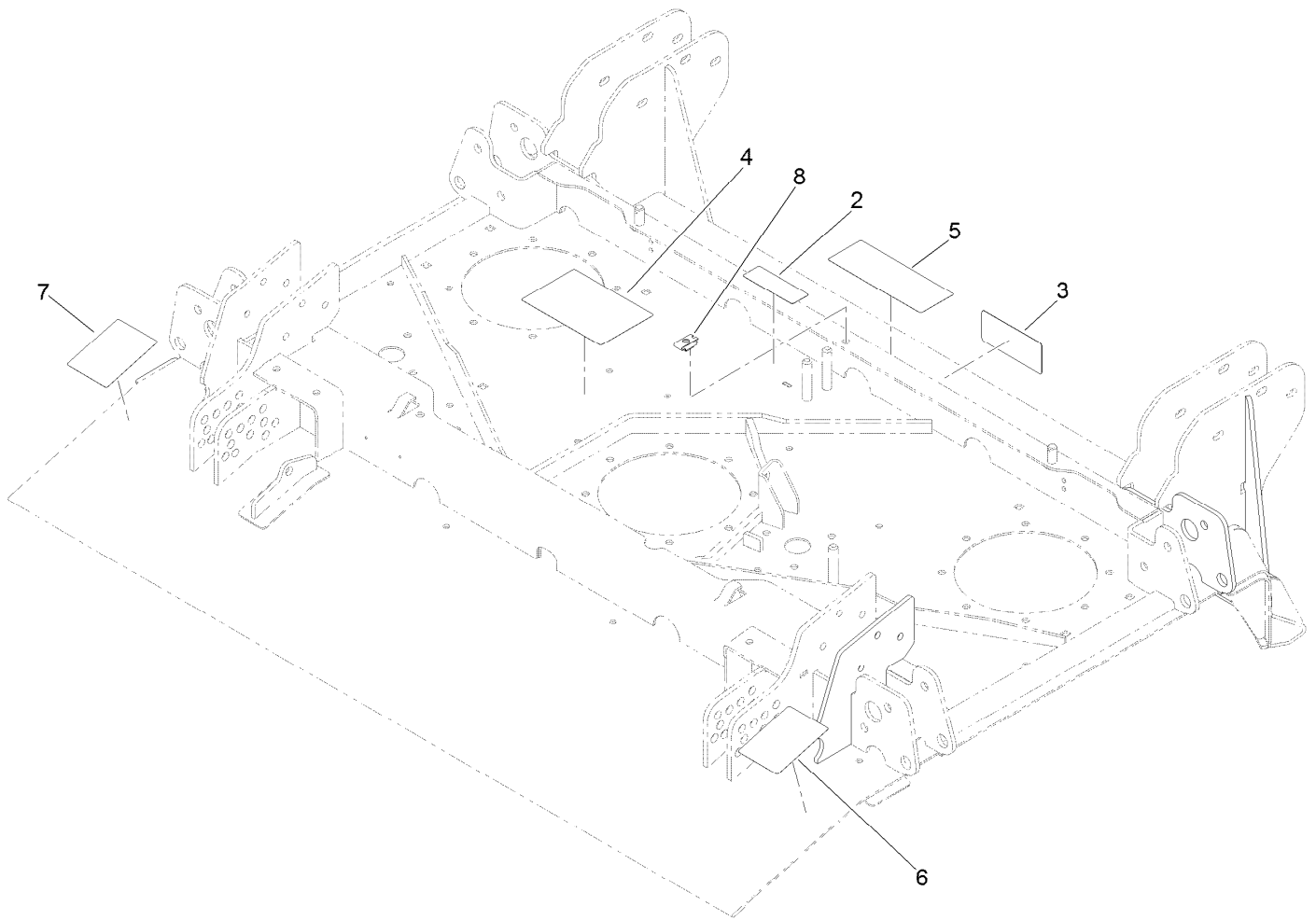
RH Front Lift Arm Assembly No. 138-6369 (continued)

| <i>Ref.</i> | <i>Part Number</i> | <i>Qty.</i> | <i>Description</i> | <i>Ref.</i> | <i>Part Number</i> | <i>Qty.</i> | <i>Description</i> |
|-------------|--------------------|-------------|----------------------|-------------|--------------------|-------------|--------------------|
| 1 | 139-7847 | 1 | RH Lift Arm ASM | 3 | 86-1440 | 1 | Washer-Flat |
| 1:2 | 104-0015 | 2 | Bushing-Flange | 4 | 3296-41 | 1 | Nut-Lock NI |
| 1:3 | 302-11 | 2 | Fitting-Lube, 45 DEG | 5 | 104-0108 | 1 | U-Bolt |
| 1:4 | 105-7441 | 1 | Bearing-Spherical | 6 | 95-6231 | 1 | Chain-HOC |
| 1:5 | 32128-42 | 1 | Nut-HF | 7 | 3256-26 | 4 | Washer-Flat |
| 1:6 | 32151-34 | 1 | Ring-Retaining | 8 | 3218-5 | 2 | Nut-Jam |
| 1:7 | 105-7468 | 1 | Stud-Tapered | 9 | 3296-25 | 2 | Nut-Lock, NI |
| 2 | 137-3581-01 | 1 | Hub Support ASM | | | | |



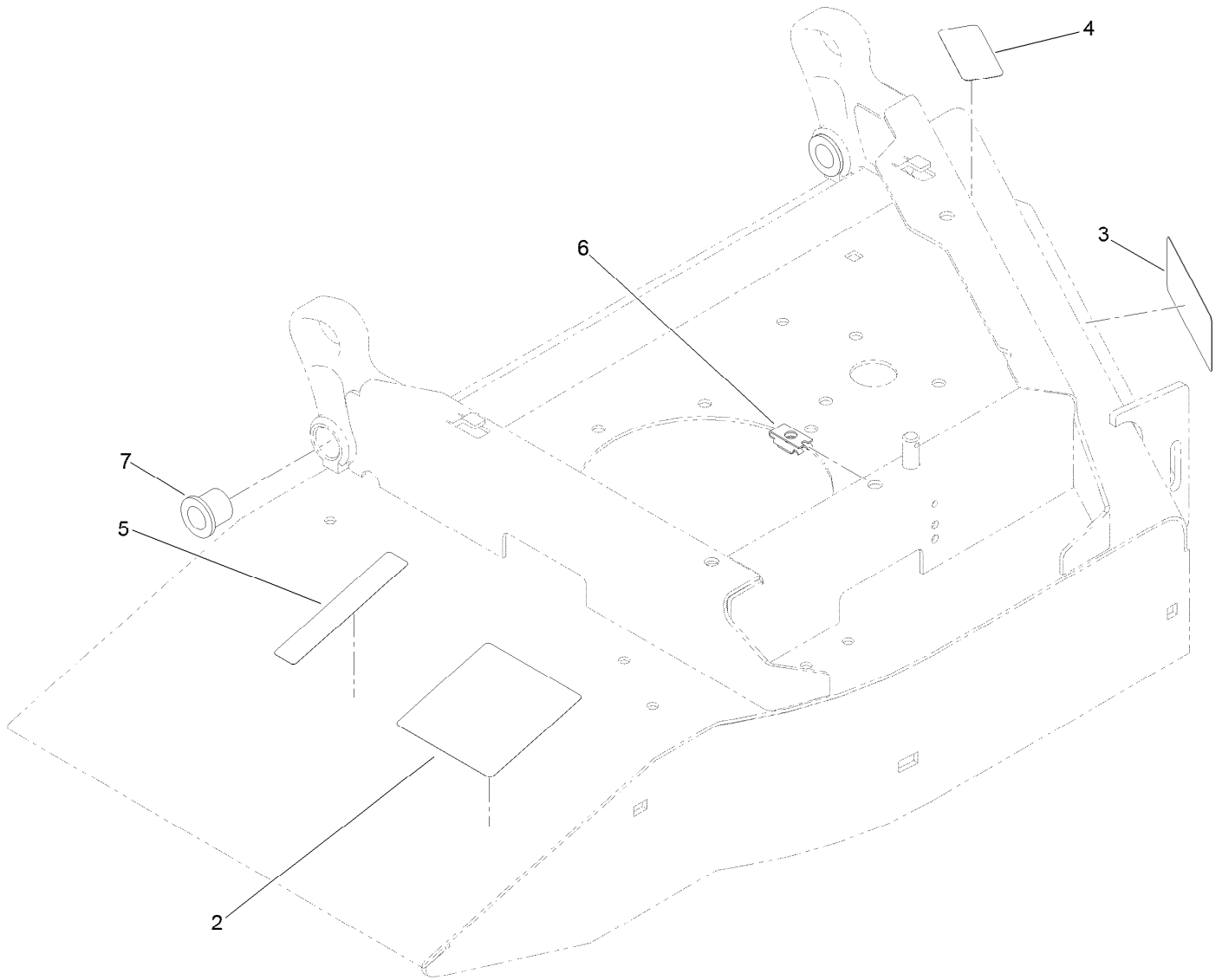
Center Front and Winglet Deck Assembly

| <i>Ref.</i> | <i>Part Number</i> | <i>Qty.</i> | <i>Description</i> |
|-------------|--------------------|-------------|-----------------------|
| 1 | 130-9201 | 1 | Center Front Deck ASM |
| 2 | 130-9218 | 1 | Right Front Deck ASM |
| 3 | 130-9210 | 1 | Left Front Deck ASM |
| 4 | 69-9300 | 2 | Pad-Bumper |
| 5 | 32108-103 | 4 | Screw-FH |
| 6 | 104-8300 | 4 | Nut-HF, NI |
| 7 | 325-35 | 4 | Screw-HH |
| 8 | 99-5107 | 4 | Nut-Lock |
| 9 | 138-6469 | 4 | Pin ASM |
| 9:2 | 302-5 | 1 | Fitting-Grease |
| 10 | 115-3367 | 4 | Eccentric |



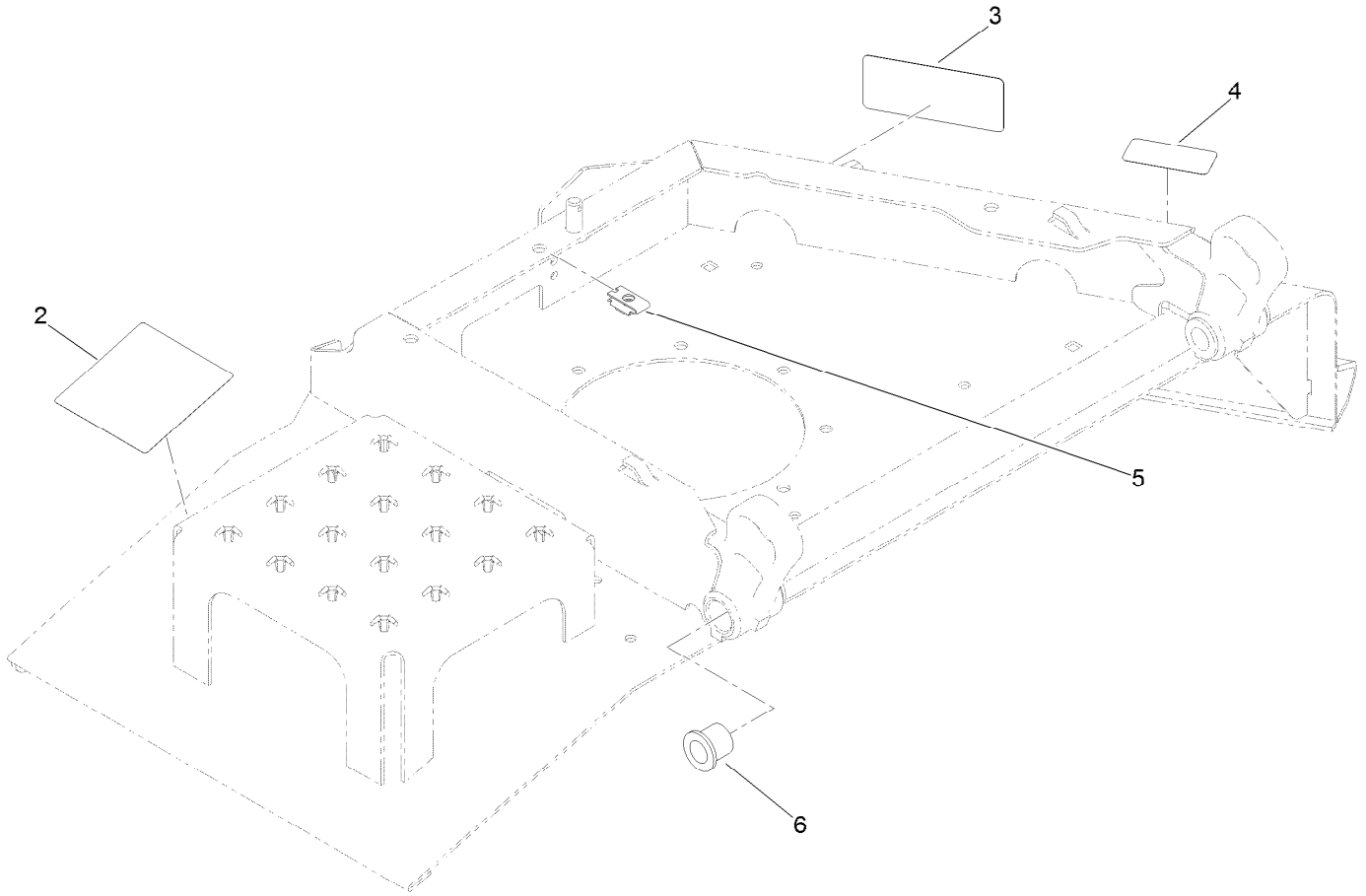
Center Front Deck and Decal Assembly No. 130-9201

| <i>Ref.</i> | <i>Part Number</i> | <i>Qty.</i> | <i>Description</i> |
|-------------|--------------------|-------------|--------------------------|
| 2 | 117-4979 | 1 | Decal-Warning |
| 3 | 93-7818 | 1 | Decal-Torque, Blade Bolt |
| 4 | 114-0922 | 1 | Decal-Belt Routing |
| 5 | 131-6027 | 1 | Decal-HOC |
| 6 | 131-6026 | 1 | Decal-Rear HOC, RH |
| 7 | 131-6025 | 1 | Decal-Rear HOC, LH |
| 8 | 110-3510 | 1 | Nut-Retainer |



Right Front Deck and Decal Assembly No. 130-9218

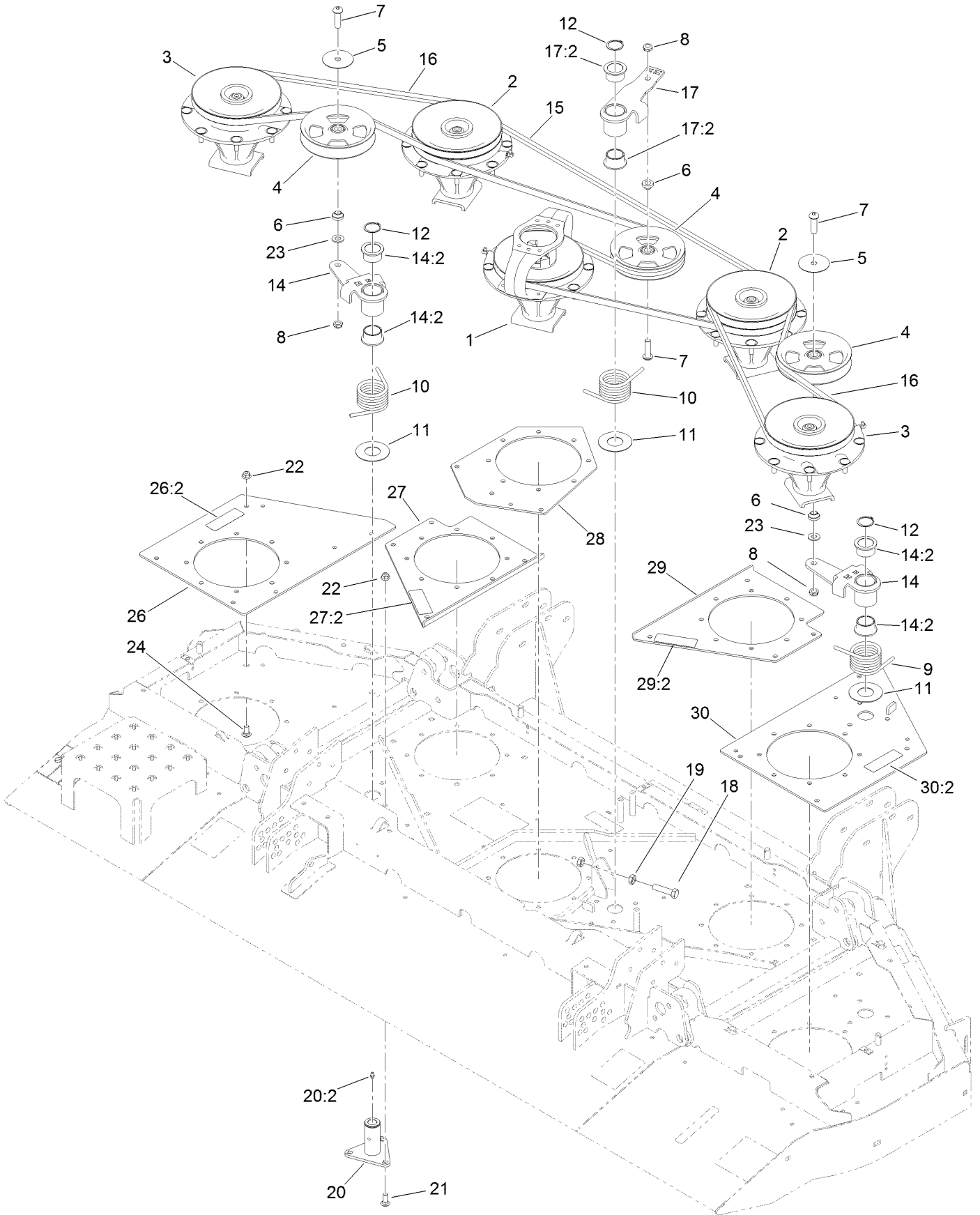
| <i>Ref.</i> | <i>Part Number</i> | <i>Qty.</i> | <i>Description</i> |
|-------------|--------------------|-------------|--------------------------|
| 2 | 120-6604 | 1 | Decal-Danger |
| 3 | 93-7818 | 1 | Decal-Torque, Blade Bolt |
| 4 | 93-6674 | 1 | Decal-Warning |
| 5 | 93-6687 | 1 | Decal-No Step |
| 6 | 110-3510 | 1 | Nut-Retainer |
| 7 | 92-3162 | 4 | Bushing |



Left Front Deck and Decal Assembly No. 130-9210

| <i>Ref.</i> | <i>Part Number</i> | <i>Qty.</i> | <i>Description</i> |
|-------------|--------------------|-------------|--------------------------|
| 2 | 120-6604 | 1 | Decal-Danger |
| 3 | 93-7818 | 1 | Decal-Torque, Blade Bolt |
| 4 | 93-6674 | 1 | Decal-Warning |
| 5 | 110-3510 | 1 | Nut-Retainer |
| 6 | 92-3162 | 4 | Bushing |

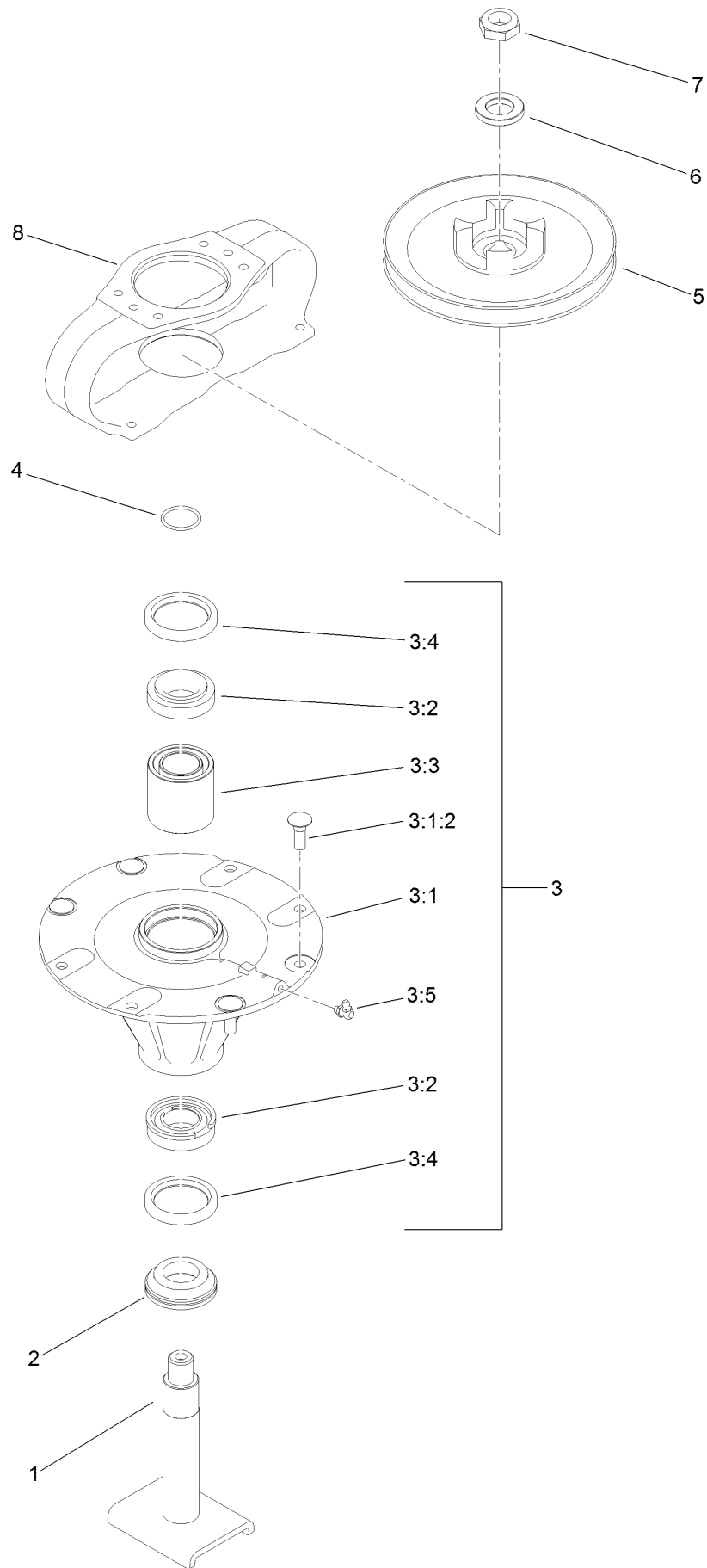
Center Deck Belt, Pulley and Spindle Assembly



Center Deck Belt, Pulley and Spindle Assembly (continued)

| <i>Ref.</i> | <i>Part Number</i> | <i>Qty.</i> | <i>Description</i> | <i>Ref.</i> | <i>Part Number</i> | <i>Qty.</i> | <i>Description</i> |
|-------------|--------------------|-------------|----------------------------|-------------|--------------------|-------------|-------------------------|
| 1 | 139-1034 | 1 | Single Driving Spindle ASM | 18 | 01-182-0816 | 1 | Bolt-HH |
| 2 | 139-1033 | 2 | Double Driven Spindle ASM | 19 | 3218-5 | 2 | Nut-Jam |
| 3 | 139-1032 | 2 | High Driven Spindle ASM | 20 | 137-5640 | 3 | Idler Pivot ASM |
| 4 | 132-9421 | 3 | Pulley-Idler, Flat | 20:2 | 302-5 | 1 | Fitting-Grease |
| 5 | 100-3102 | 2 | Washer-Flat | 21 | 3231-2 | 9 | Bolt-CARR |
| 6 | 108-1924 | 3 | Spacer-Idler | 22 | 104-8301 | 28 | Nut-HF, NI |
| 7 | 108-1993 | 3 | Screw-HSBH | 23 | 3256-26 | 2 | Washer-Flat |
| 8 | 3296-45 | 3 | Nut-Hex | 24 | 3231-27 | 19 | Screw-CARR |
| 9 | 108-1921 | 1 | Spring-Torsion | 26 | 132-1611 | 1 | LH Spindle Plate ASM |
| 10 | 112-7395 | 2 | Spring-Torsion | 26:2 | 117-4979 | 1 | Decal-Warning |
| 11 | 108-1926 | 3 | Washer | 27 | 132-1608 | 1 | Left Spindle Plate ASM |
| 12 | 32120-84 | 3 | Ring-Snap, External | 27:2 | 117-4979 | 1 | Decal-Warning |
| 14 | 140-7079 | 2 | Idler Arm ASM | 28 | 132-1602-01 | 1 | Plate-Spindle, Center |
| 14:2 | 93-4510 | 2 | Bushing-Caster | 29 | 132-1607 | 1 | Right Spindle Plate ASM |
| 15 | 112-7376 | 1 | Belt-V, B | 29:2 | 117-4979 | 1 | Decal-Warning |
| 16 | 112-7377 | 2 | Belt-V, B | 30 | 132-1609 | 1 | RH Spindle Plate ASM |
| 17 | 144-4150 | 1 | Idler Arm ASM | 30:2 | 117-4979 | 1 | Decal-Warning |
| 17:2 | 93-4510 | 2 | Bushing-Caster | | | | |

Single Driving Spindle Assembly No. 139-1034

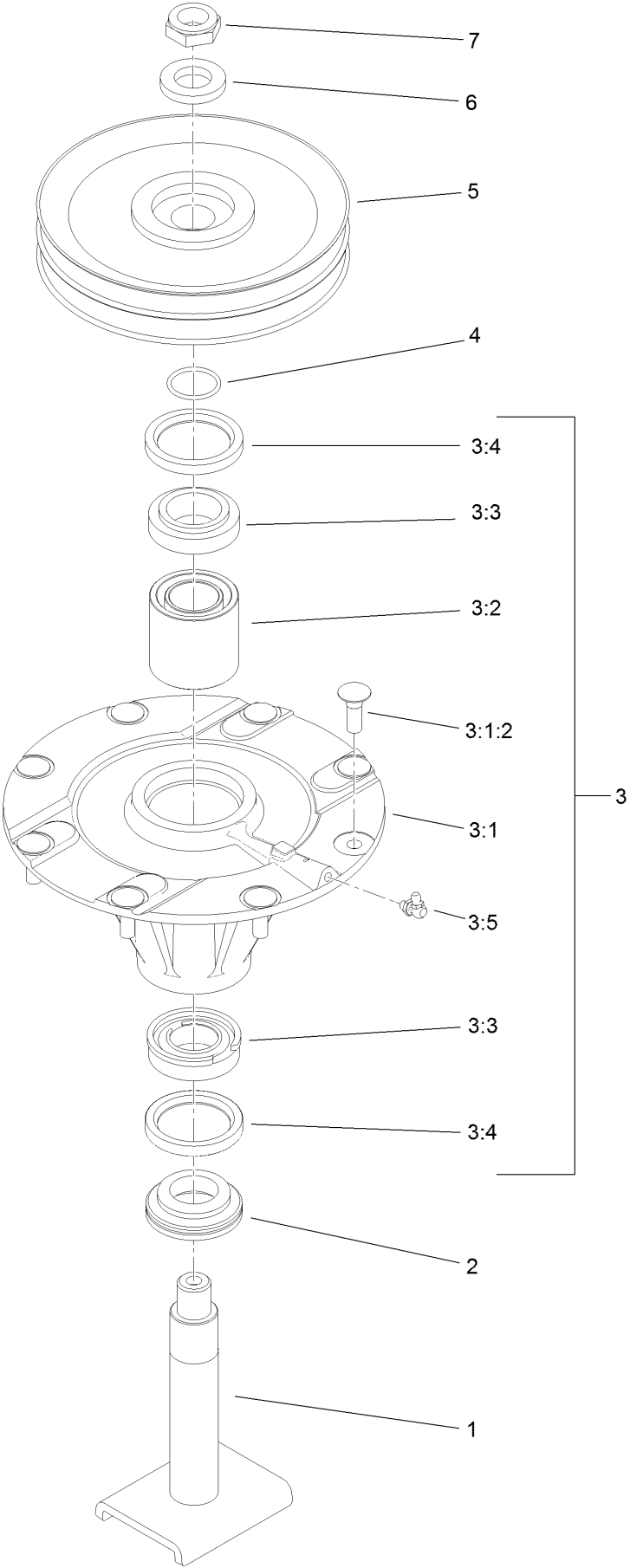


Single Driving Spindle Assembly No. 139-1034 (continued)

| <i>Ref.</i> | <i>Part Number</i> | <i>Qty.</i> | <i>Description</i> | <i>Ref.</i> | <i>Part Number</i> | <i>Qty.</i> | <i>Description</i> |
|-------------|--------------------|-------------|-----------------------|-------------|--------------------|-------------|--------------------|
| 1 | 139-1042 | 1 | Spindle-Shaft | 3:4 | 253-154 | 2 | Seal-Oil |
| 2 | 138-6416 | 1 | Spacer-Spindle, Shaft | 3:5 | 302-60 | 1 | Fitting-Grease |
| 3 | 131-0767 | 1 | Spindle Housing ASM | 4 | 106-7159 | 1 | O-Ring |
| 3:1 | | 1 | Spindle ASM ● | 5 | 104-3545 | 1 | Pulley-Driving |
| 3:1:2 | 114-8195 | 4 | Bolt-Neck, Ribbed | 6 | 120-5576 | 1 | Washer-Hardened |
| 3:2 | 110-8297 | 1 | Bearing ASM | 7 | 3296-60 | 1 | Nut-Lock, NI |
| 3:3 | 108-1954 | 1 | Bearing Spacer Set | 8 | 104-3544 | 1 | Mount-Motor, Drive |

● Not serviced separately

Double Driven Spindle Assembly No. 139-1033

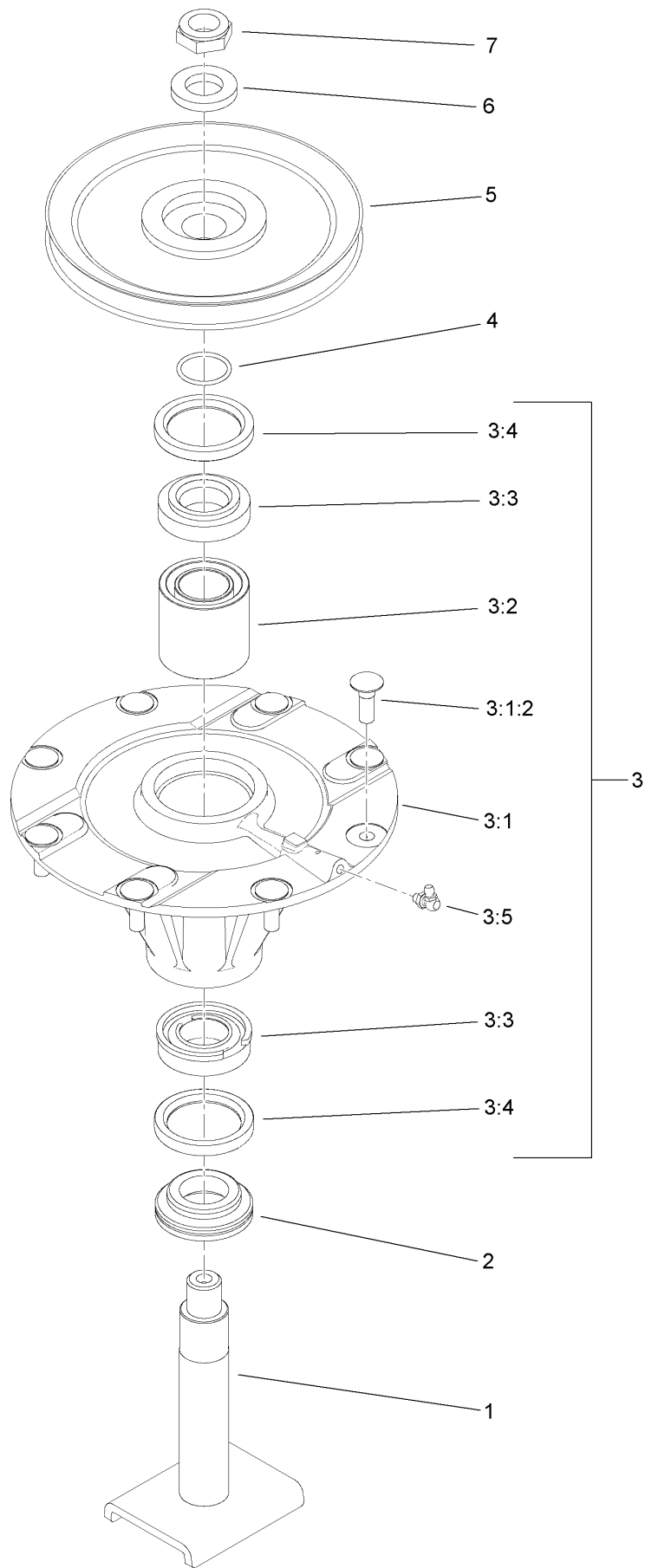


Double Driven Spindle Assembly No. 139-1033 (continued)

| <i>Ref.</i> | <i>Part Number</i> | <i>Qty.</i> | <i>Description</i> | <i>Ref.</i> | <i>Part Number</i> | <i>Qty.</i> | <i>Description</i> |
|-------------|--------------------|-------------|-----------------------|-------------|--------------------|-------------|-----------------------|
| 1 | 139-1042 | 1 | Spindle-Shaft | 3:4 | 253-154 | 2 | Seal-Oil |
| 2 | 138-6416 | 1 | Spacer-Spindle, Shaft | 3:5 | 302-60 | 1 | Fitting-Grease |
| 3 | 119-4777 | 1 | Spindle ASM | 4 | 106-7159 | 1 | O-Ring |
| 3:1 | | 1 | Spindle ASM ● | 5 | 104-3547 | 1 | Pulley-Driven, Double |
| 3:1:2 | 114-8195 | 8 | Bolt-Neck, Ribbed | 6 | 120-5576 | 1 | Washer-Hardened |
| 3:2 | 108-1954 | 1 | Bearing Spacer Set | 7 | 3296-60 | 1 | Nut-Lock, NI |
| 3:3 | 110-8297 | 1 | Bearing ASM | | | | |

● Not serviced separately

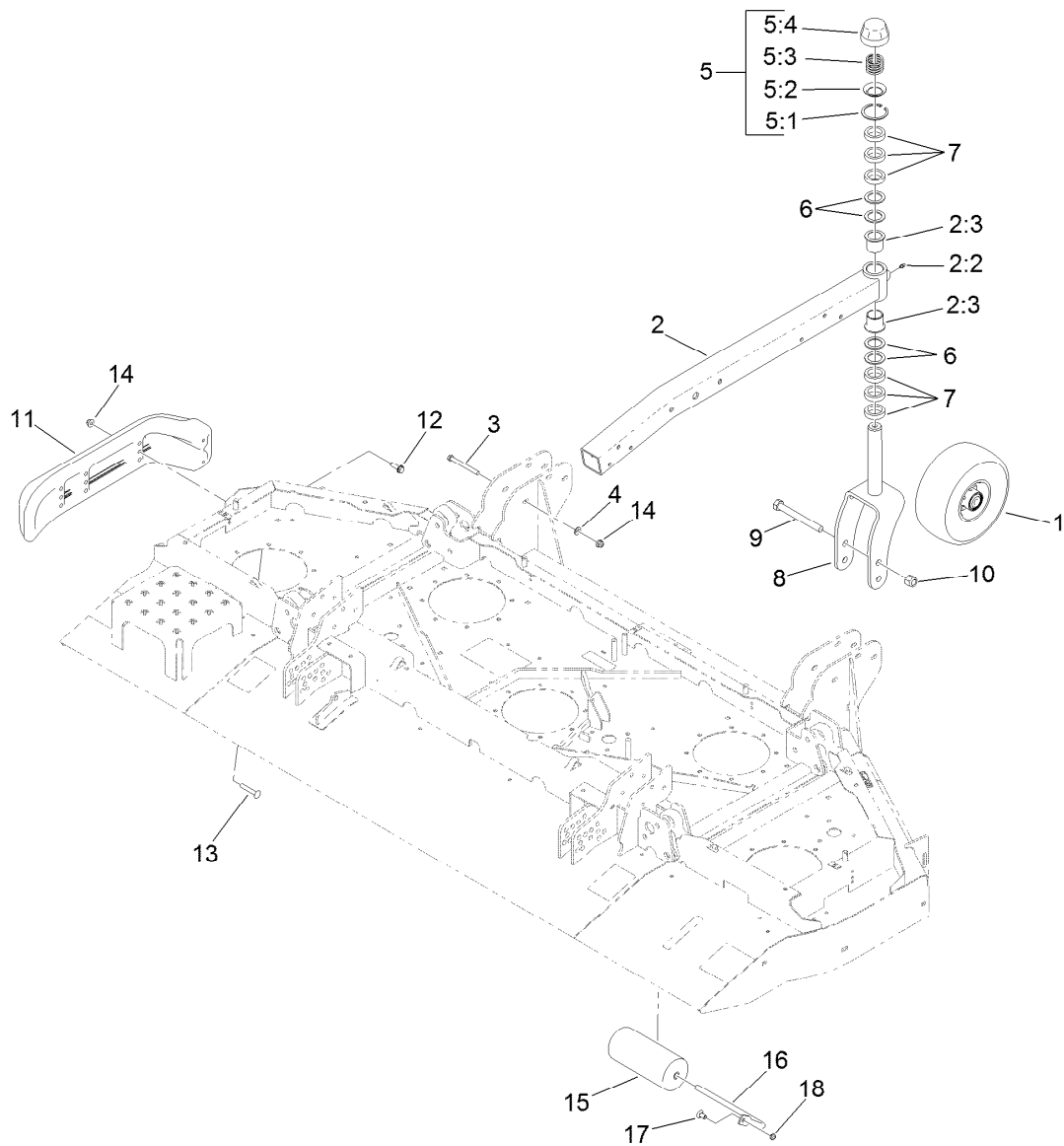
High Driven Spindle Assembly No. 139-1032



High Driven Spindle Assembly No. 139-1032 (continued)

| <i>Ref.</i> | <i>Part Number</i> | <i>Qty.</i> | <i>Description</i> | <i>Ref.</i> | <i>Part Number</i> | <i>Qty.</i> | <i>Description</i> |
|-------------|--------------------|-------------|-----------------------|-------------|--------------------|-------------|---------------------|
| 1 | 139-1042 | 1 | Spindle-Shaft | 3:4 | 253-154 | 2 | Seal-Oil |
| 2 | 138-6416 | 1 | Spacer-Spindle, Shaft | 3:5 | 302-60 | 1 | Fitting-Grease |
| 3 | 119-4777 | 1 | Spindle ASM | 4 | 106-7159 | 1 | O-Ring |
| 3:1 | | 1 | Spindle ASM ● | 5 | 104-3548 | 1 | Pulley-Driven, High |
| 3:1:2 | 114-8195 | 8 | Bolt-Neck, Ribbed | 6 | 120-5576 | 1 | Washer-Hardened |
| 3:2 | 108-1954 | 1 | Bearing Spacer Set | 7 | 3296-60 | 1 | Nut-Lock, NI |
| 3:3 | 110-8297 | 1 | Bearing ASM | | | | |

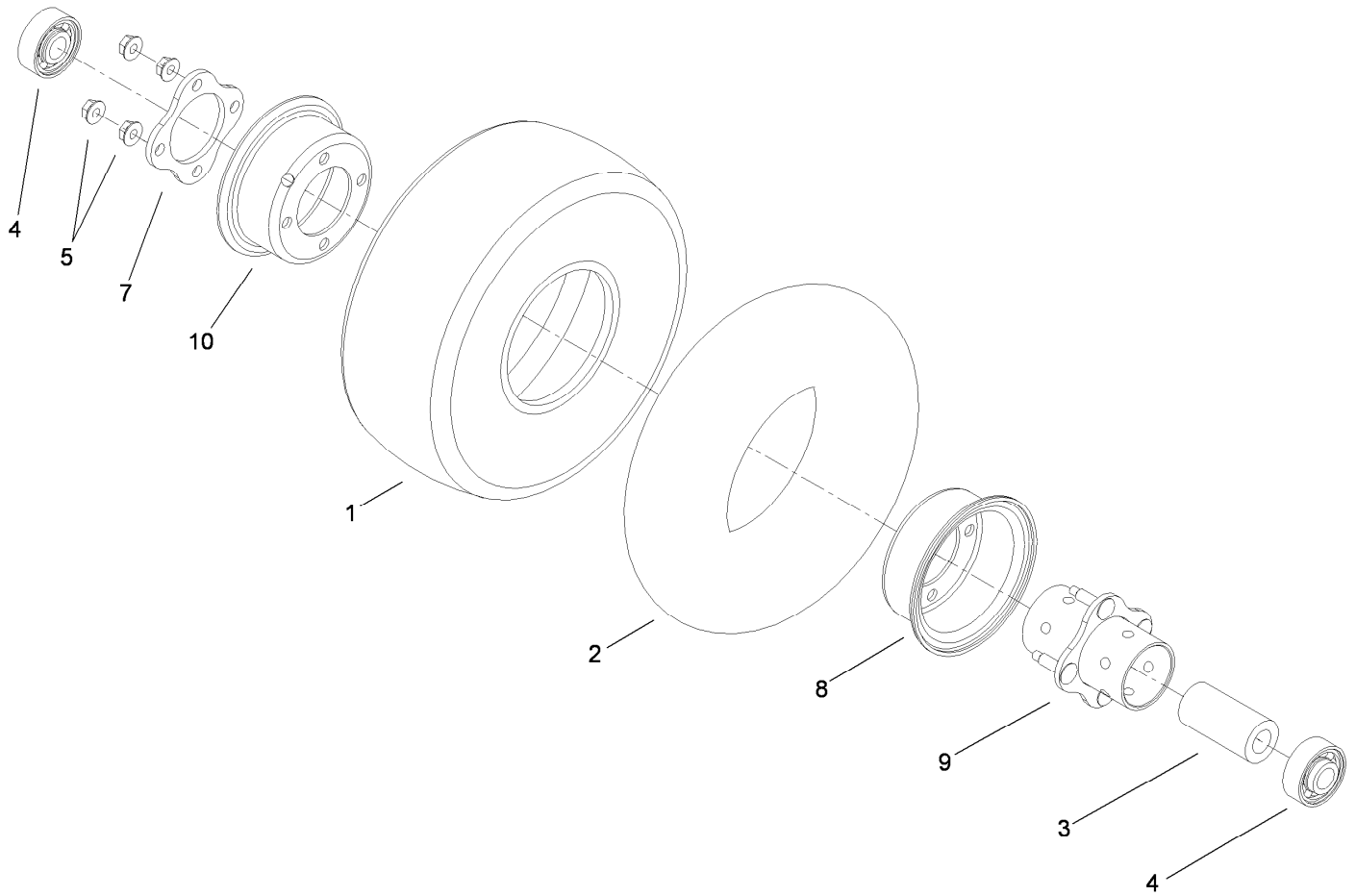
● Not serviced separately



Center Deck Roller, Skid and Caster Wheel Assembly

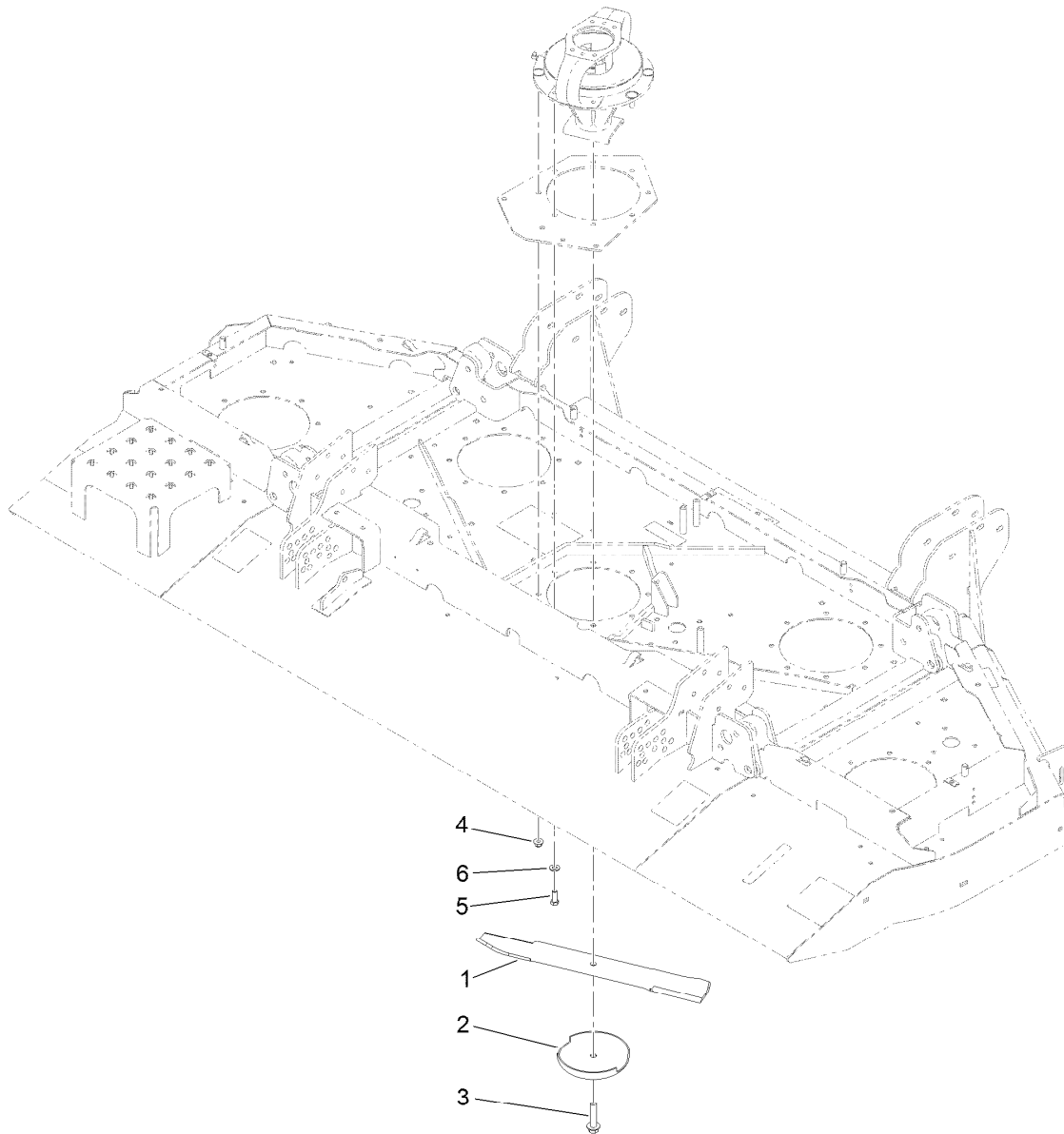
| Ref. | Part Number | Qty. | Description |
|------|-------------|------|----------------------------|
| 1 | 93-4240 | 2 | 10 Inch Wheel ASM |
| 2 | 130-7787 | 2 | Caster Arm ASM |
| 2:2 | 302-5 | 1 | Fitting-Grease |
| 2:3 | 69-6470 | 2 | Bushing-Caster |
| 3 | 323-42 | 12 | Screw-HH |
| 4 | 3256-24 | 12 | Washer-Flat |
| 5 | 92-9727 | 2 | HOC Cap ASM |
| 5:1 | 92-5581 | 1 | Ring-Rtng, Snap, Int, Flat |
| 5:2 | 92-5583 | 1 | Washer-Cap |
| 5:3 | 92-9726 | 1 | Spring-Compression |
| 5:4 | 92-8861 | 1 | Cap-HOC |
| 6 | 69-6860 | 8 | Washer-Thrust |

| Ref. | Part Number | Qty. | Description |
|------|-------------|------|-------------------|
| 7 | 69-1510 | 12 | Spacer |
| 8 | 130-7784-01 | 2 | Fork-Caster |
| 9 | 327-24 | 2 | Screw-HH |
| 10 | 3296-53 | 2 | Nut-Lock, NI |
| 11 | 112-1479 | 2 | Skid-Bumper, Deck |
| 12 | 9136144 | 2 | Screw-HWHTF |
| 13 | 3231-33 | 4 | Screw-CARR |
| 14 | 104-8301 | 16 | Nut-HF, NI |
| 15 | 68-6710 | 1 | Roller |
| 16 | 68-6840 | 1 | Shaft-Roller |
| 17 | 3231-21 | 1 | Screw-CARR |
| 18 | 3296-59 | 1 | Nut-Lock, NI |



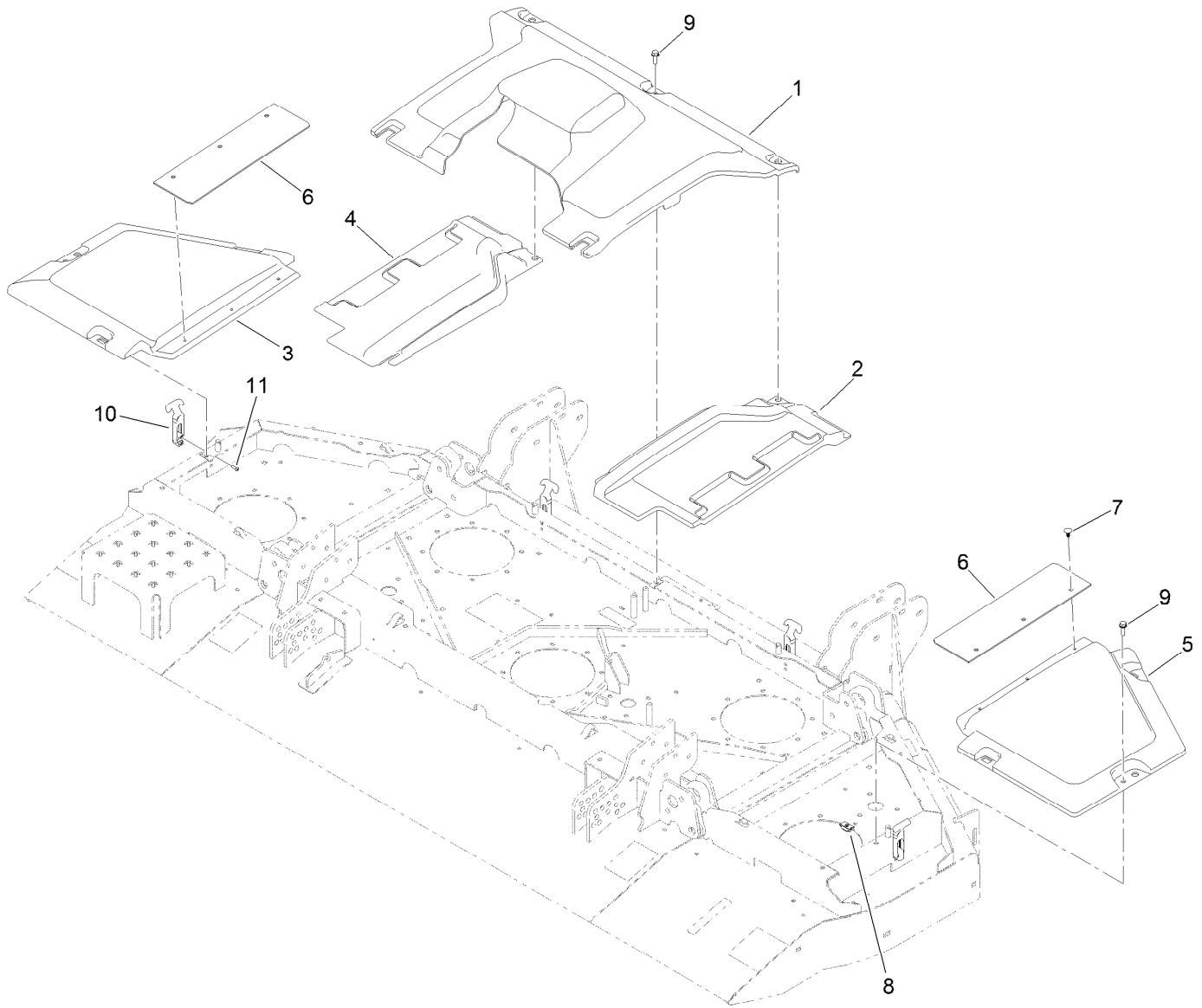
10 Inch Wheel Assembly No. 93-4240

| <i>Ref.</i> | <i>Part Number</i> | <i>Qty.</i> | <i>Description</i> |
|-------------|--------------------|-------------|-----------------------|
| 1 | 93-4243 | 1 | Tire |
| 2 | 93-4244 | 1 | Tube-Inner (W/Valve) |
| 3 | 93-4241 | 1 | Spacer-Bearing, Inner |
| 4 | 120-3366 | 2 | Bearing |
| 5 | 32128-16 | 4 | Nut-HHF |
| 7 | 93-4242 | 1 | Plate |
| 8 | 93-4239 | 1 | Rim-Wheel, Half |
| 9 | 93-5980 | 1 | Hub |
| 10 | 95-2741 | 1 | Rim-Wheel, Half |



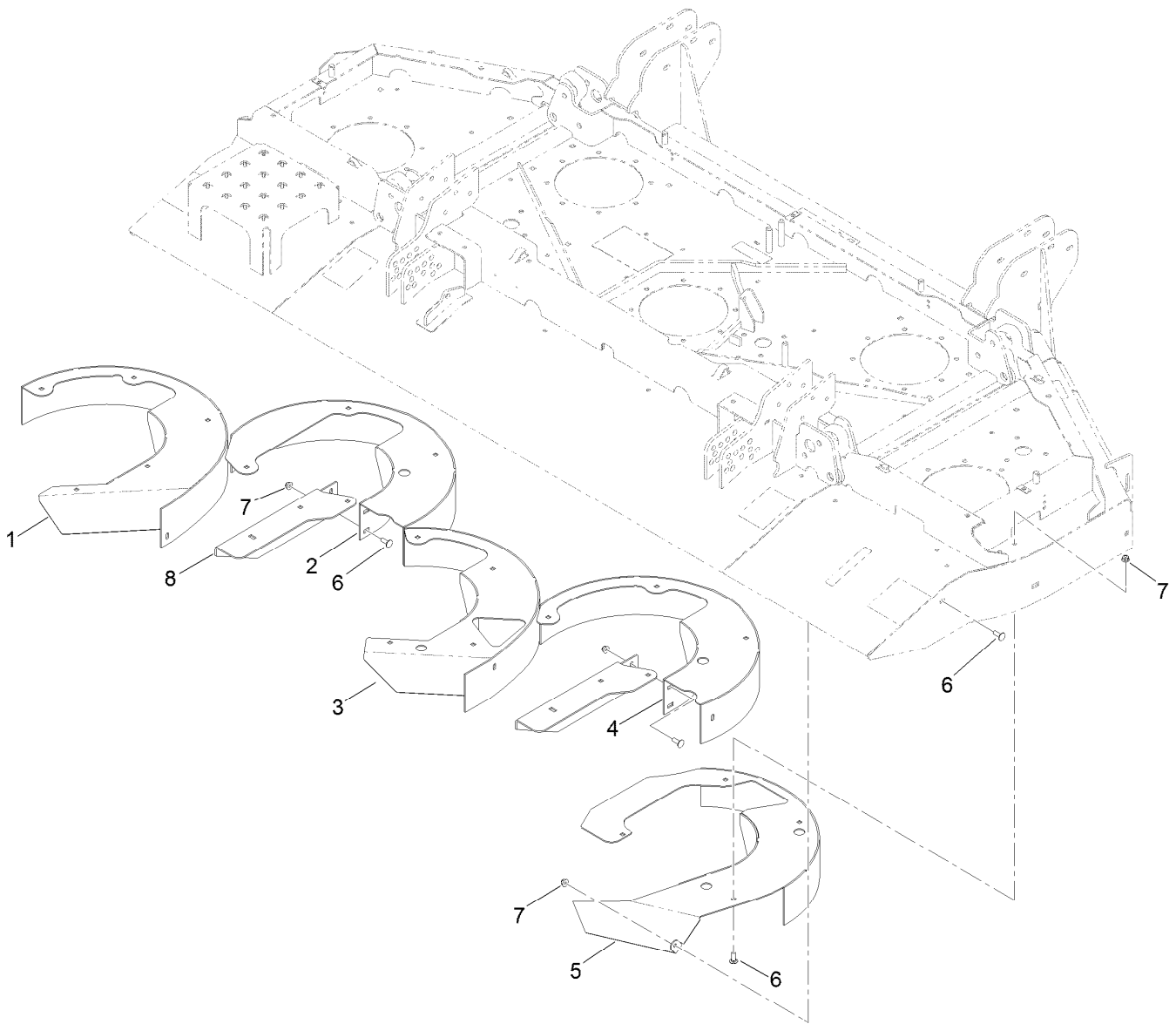
Center Front Deck Blade Assembly

| <i>Ref.</i> | <i>Part Number</i> | <i>Qty.</i> | <i>Description</i> |
|-------------|--------------------|-------------|--------------------|
| 1 | 130-9151 | 5 | Blade-20 In |
| 2 | 72-9361 | 5 | Cup-Scalp, Anti |
| 3 | 92-5816 | 5 | Bolt-Blade |
| 4 | 104-8301 | 36 | Nut-HF, NI |
| 5 | 323-6 | 4 | Screw-HH |
| 6 | 3256-24 | 4 | Washer-Flat |



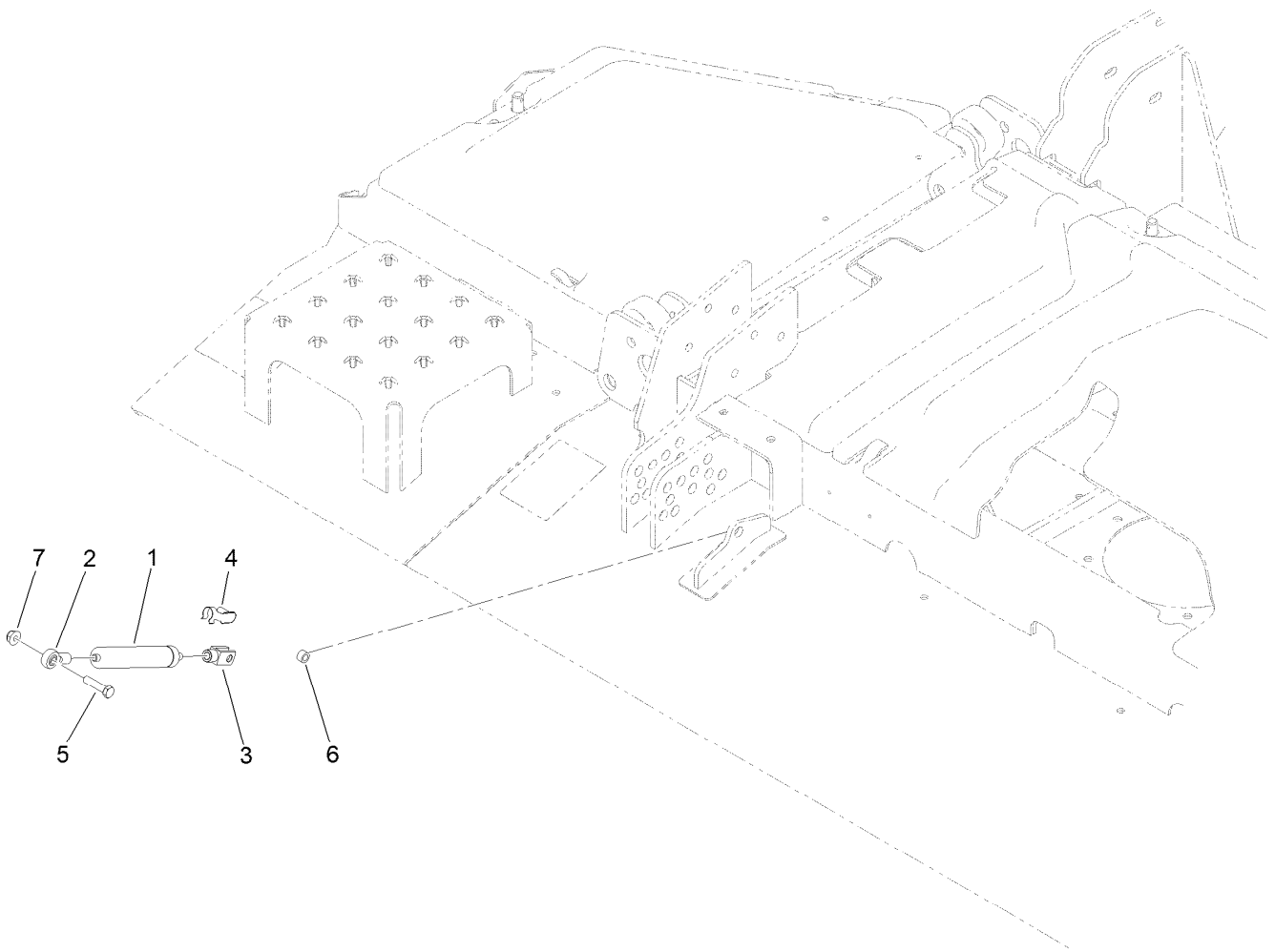
Center Front Deck Belt Cover Assembly

| <i>Ref.</i> | <i>Part Number</i> | <i>Qty.</i> | <i>Description</i> |
|-------------|--------------------|-------------|---------------------------------|
| 1 | 131-2223 | 1 | Cover-Front Deck, Center |
| 2 | 114-5632 | 1 | Cover-Front Deck, RH Transition |
| 3 | 114-5629 | 1 | Cover-Front Deck, LH |
| 4 | 114-5631 | 1 | Cover-Front Deck, LH Transition |
| 5 | 114-5628 | 1 | Cover-Front Deck, RH |
| 6 | 115-5424 | 2 | Shield-Deck, Flexible |
| 7 | 117-2382 | 6 | Plug-Plastic |
| 8 | 110-3510 | 3 | Nut-Retainer |
| 9 | 3234-29 | 3 | Screw-HHF |
| 10 | 103-4080 | 4 | Latch-Rubber |
| 11 | 3274-39 | 8 | Screw-HSBH |



Center Front Deck Chamber and Discharge Assembly

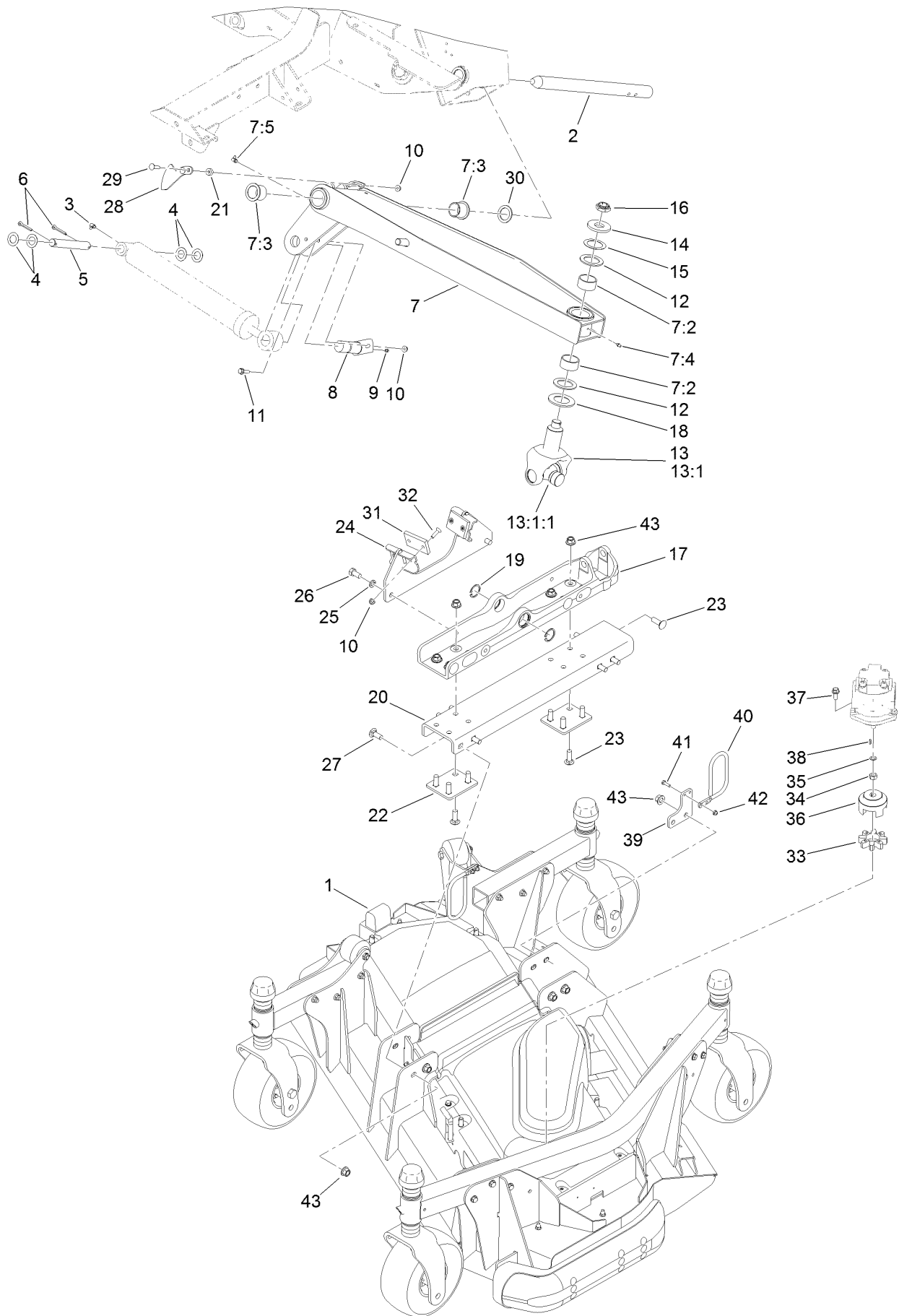
| <i>Ref.</i> | <i>Part Number</i> | <i>Qty.</i> | <i>Description</i> |
|-------------|--------------------|-------------|-----------------------|
| 1 | 132-1640-0P | 1 | Chamber-Front, Left |
| 2 | 133-2244-0P | 1 | Chamber-Front, Lc |
| 3 | 132-1644-0P | 1 | Chamber-Front, Center |
| 4 | 133-2240-0P | 1 | Chamber-Front, Rc |
| 5 | 132-1647-0P | 1 | Chamber-Front, Right |
| 6 | 3230-10 | 28 | Bolt-CARR |
| 7 | 104-8300 | 28 | Nut-HF, NI |
| 8 | 133-2208-0P | 2 | Angle-Deflector |



Center Front Deck Transport Damper Assembly

| <i>Ref.</i> | <i>Part Number</i> | <i>Qty.</i> | <i>Description</i> |
|-------------|--------------------|-------------|--------------------|
| 1 | 105-3249 | 1 | Damper |
| 2 | 104-8331 | 1 | End-Rod, Spherical |
| 3 | 115-5455 | 1 | End-Rod, Clevis |
| 4 | 115-5454 | 1 | Pin-Spring |
| 5 | 322-17 | 1 | Screw-HH |
| 6 | 115-2142 | 1 | Spacer |
| 7 | 104-8300 | 1 | Nut-HF, NI |

Left Hand Deck Connection Assembly



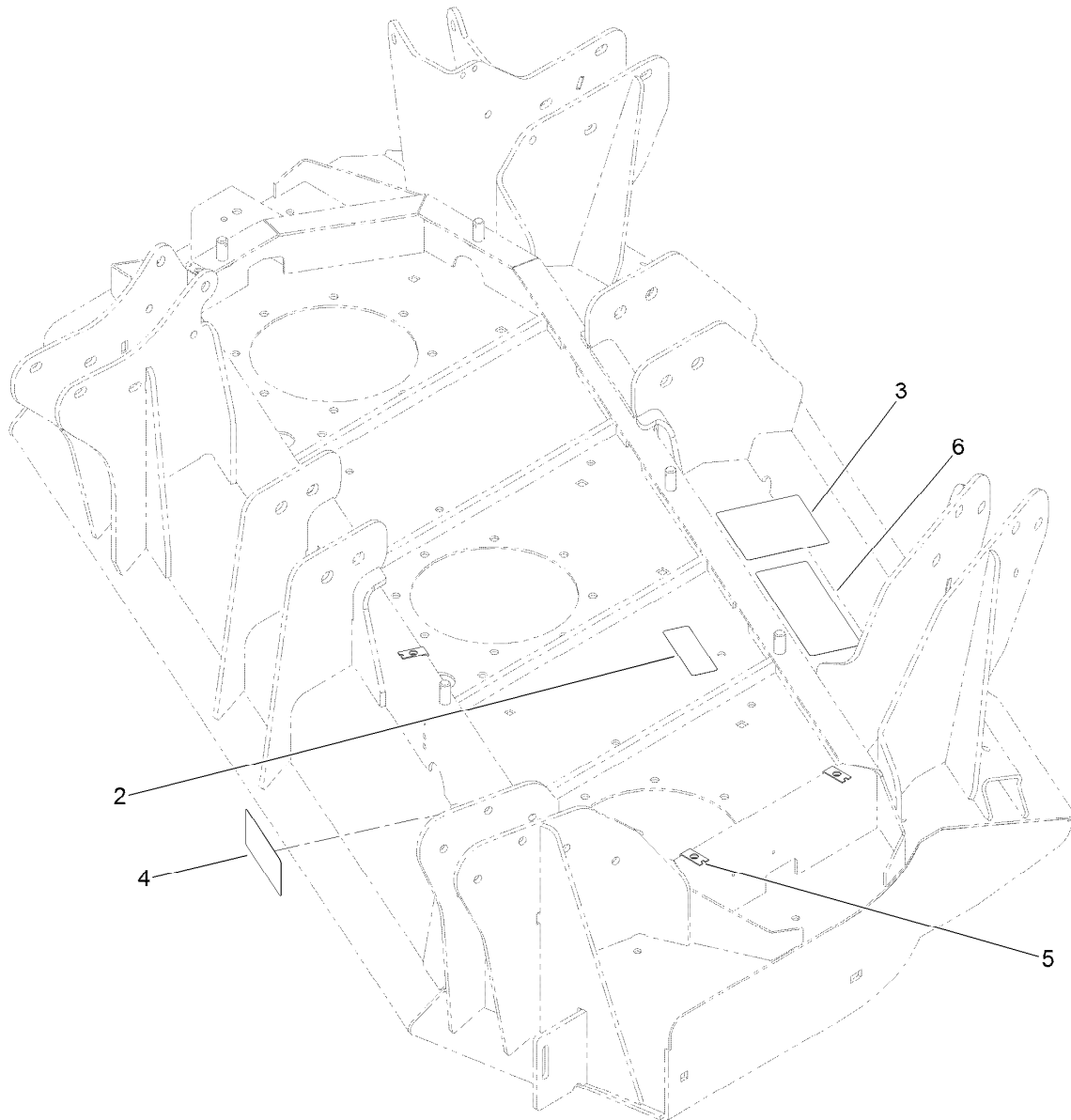
Left Hand Deck Connection Assembly (continued)

| <i>Ref.</i> | <i>Part Number</i> | <i>Qty.</i> | <i>Description</i> | <i>Ref.</i> | <i>Part Number</i> | <i>Qty.</i> | <i>Description</i> |
|-------------|--------------------|-------------|-----------------------|-------------|--------------------|-------------|---------------------|
| 1 | | 1 | Left Deck ASM ● | 20 | 136-0063-01 | 1 | Channel-LH |
| 2 | 121-3882 | 1 | Shaft-Pivot, Lift Arm | 21 | 121-1759 | 2 | Spacer |
| 3 | 302-60 | 1 | Fitting-Grease | 22 | 136-0065-01 | 2 | Plate-Spacer |
| 4 | 110-6767 | 4 | Washer-Thrust | 23 | 3233-2 | 10 | Screw-CARR |
| 5 | 110-6006 | 1 | Pin-Clevis | 24 | 136-0040-03 | 1 | Stop-Deck ASM |
| 6 | 3272-30 | 2 | Pin-Cotter | 25 | 3253-7 | 2 | Washer-Lock |
| 7 | 138-6396 | 1 | Lift Arm ASM, LH | 26 | 325-4 | 2 | Screw-HH |
| 7:2 | 114-5596 | 2 | Bushing-Straight | 27 | 3233-1 | 6 | Screw-CARR |
| 7:3 | 69-6470 | 2 | Bushing-Caster | 28 | 112-7339 | 1 | Plate-Sensing |
| 7:4 | 302-5 | 1 | Fitting-Grease | 29 | 3230-3 | 2 | Screw-CARR |
| 7:5 | 302-60 | 1 | Fitting-Grease | 30 | 98-1452 | 1 | Washer-Thrust |
| 8 | 125-1912 | 1 | Pin-Pivot | 31 | 69-9290 | 2 | Pad-Bumper |
| 9 | 302-5 | 1 | Fitting-Grease | 32 | 32108-103 | 4 | Screw-FH |
| 10 | 104-8300 | 7 | Nut-HF, NI | 33 | 104-3542 | 1 | Spider |
| 11 | 119-4036 | 1 | Screw-HHF | 34 | 110-8815 | 1 | Nut-Hex |
| 12 | 104-0721 | 2 | Washer-Thrust | 35 | 112-6957 | 1 | Washer-Hardened |
| 13 | 114-5640-03 | 1 | Joint Yoke ASM | 36 | 104-3541 | 1 | Hub-Spider |
| 13:1 | | 1 | Yoke-Joint ● | 37 | 3234-42 | 2 | Screw-HHF |
| 13:1:1 | 104-4299 | 1 | Cross And Bearing Kit | 38 | 3257-3 | 1 | Key-Woodruff |
| 14 | 104-0719 | 1 | Washer-Hardened | 39 | 136-0055-01 | 1 | Plate-Hose Retainer |
| 15 | 114-5641 | 1 | Washer-Thrust | 40 | 130-9161 | 1 | Support-Hose |
| 16 | 116-1399 | 1 | Locknut | 41 | 321-5 | 2 | Screw-HH |
| 17 | 136-0061-03 | 1 | Mount-Deck, Machining | 42 | 104-7201 | 2 | Nut-HF, NI |
| 18 | 104-0720 | 1 | Spacer | 43 | 99-5107 | 16 | Nut-Lock |
| 19 | 32120-42 | 2 | Ring-Retaining | | | | |

● Not serviced separately

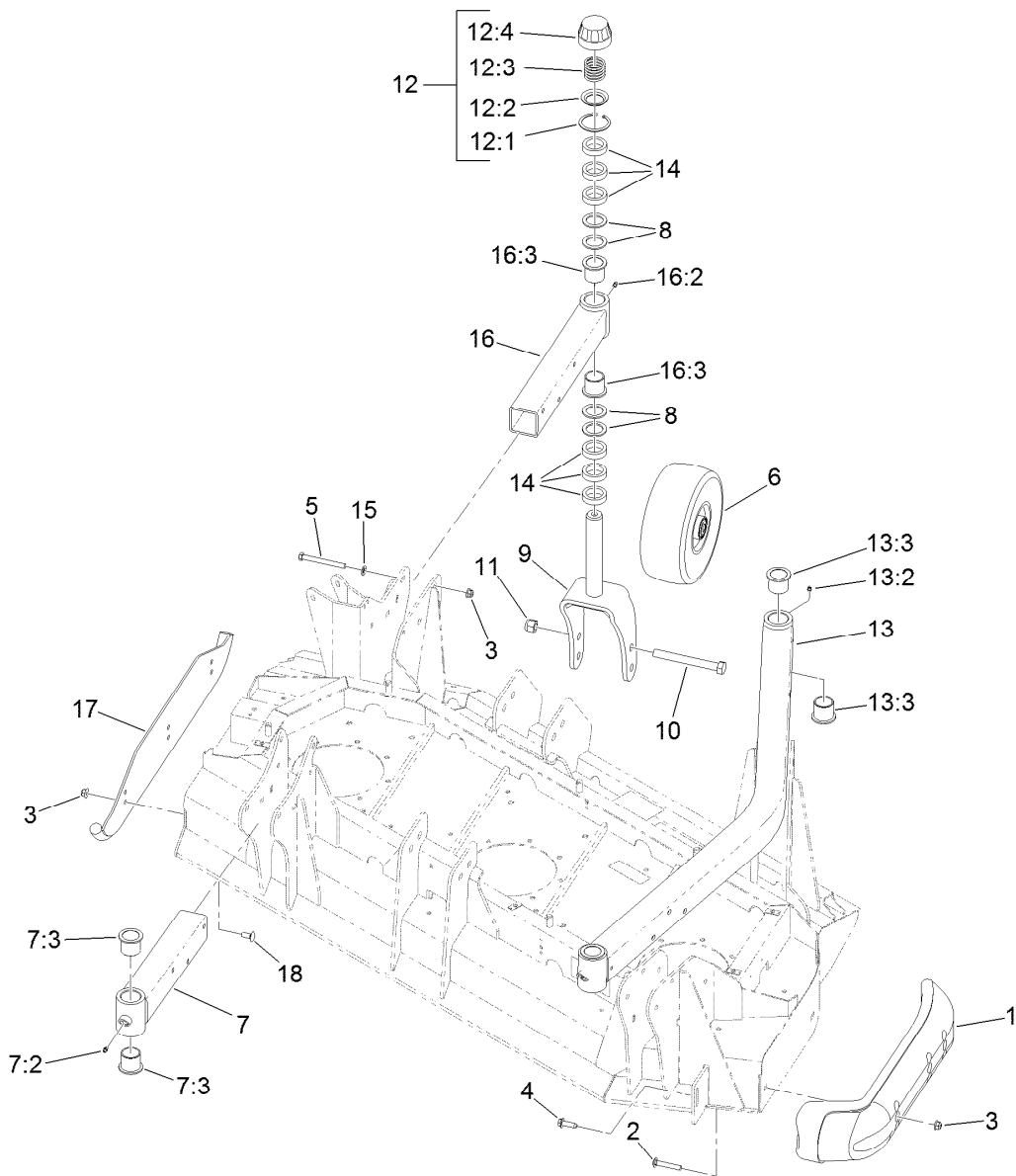
Left Hand Deck Belt, Pulley and Spindle Assembly (continued)

| <i>Ref.</i> | <i>Part Number</i> | <i>Qty.</i> | <i>Description</i> | <i>Ref.</i> | <i>Part Number</i> | <i>Qty.</i> | <i>Description</i> |
|-------------|--------------------|-------------|----------------------------|-------------|--------------------|-------------|-------------------------------|
| 1 | 130-9271 | 1 | Left Deck ASM | 15 | 108-1921 | 2 | Spring-Torsion |
| 2 | 139-1034 | 1 | Single Driving Spindle ASM | 16 | 112-7377 | 2 | Belt-V, B |
| 3 | 139-1033 | 1 | Double Driven Spindle ASM | 17 | 137-5640 | 2 | Idler Pivot ASM |
| 4 | 139-1032 | 1 | High Driven Spindle ASM | 17:2 | 302-5 | 1 | Fitting-Grease |
| 5 | 132-9421 | 2 | Pulley-Idler, Flat | 18 | 3231-2 | 6 | Bolt-CARR |
| 6 | 100-3102 | 1 | Washer-Flat | 20 | 3256-26 | 1 | Washer-Flat |
| 7 | 108-1993 | 2 | Screw-HSBH | 21 | 104-8301 | 16 | Nut-HF, NI |
| 8 | 108-1924 | 2 | Spacer-Idler | 22 | 3231-27 | 10 | Screw-CARR |
| 9 | 3296-45 | 2 | Nut-Hex | 23 | 132-1621 | 1 | Inner Spindle Plate ASM |
| 10 | 140-7079 | 1 | Idler Arm ASM | 23:2 | 117-4979 | 1 | Decal-Warning |
| 10:2 | 93-4510 | 2 | Bushing-Caster | 24 | 132-1622-01 | 1 | Plate-Spindle, Center |
| 11 | 108-1926 | 2 | Washer | 25 | 132-1620 | 1 | Outer Spindle Plate ASM |
| 12 | 32120-84 | 2 | Ring-Snap, External | 25:2 | 117-4979 | 1 | Decal-Warning |
| 14 | 140-7078 | 1 | Idler Arm ASM | 25:3 | 114-4883 | 1 | Decal-Belt Routing, Deck (LH) |
| 14:2 | 93-4510 | 2 | Bushing-Caster | | | | |



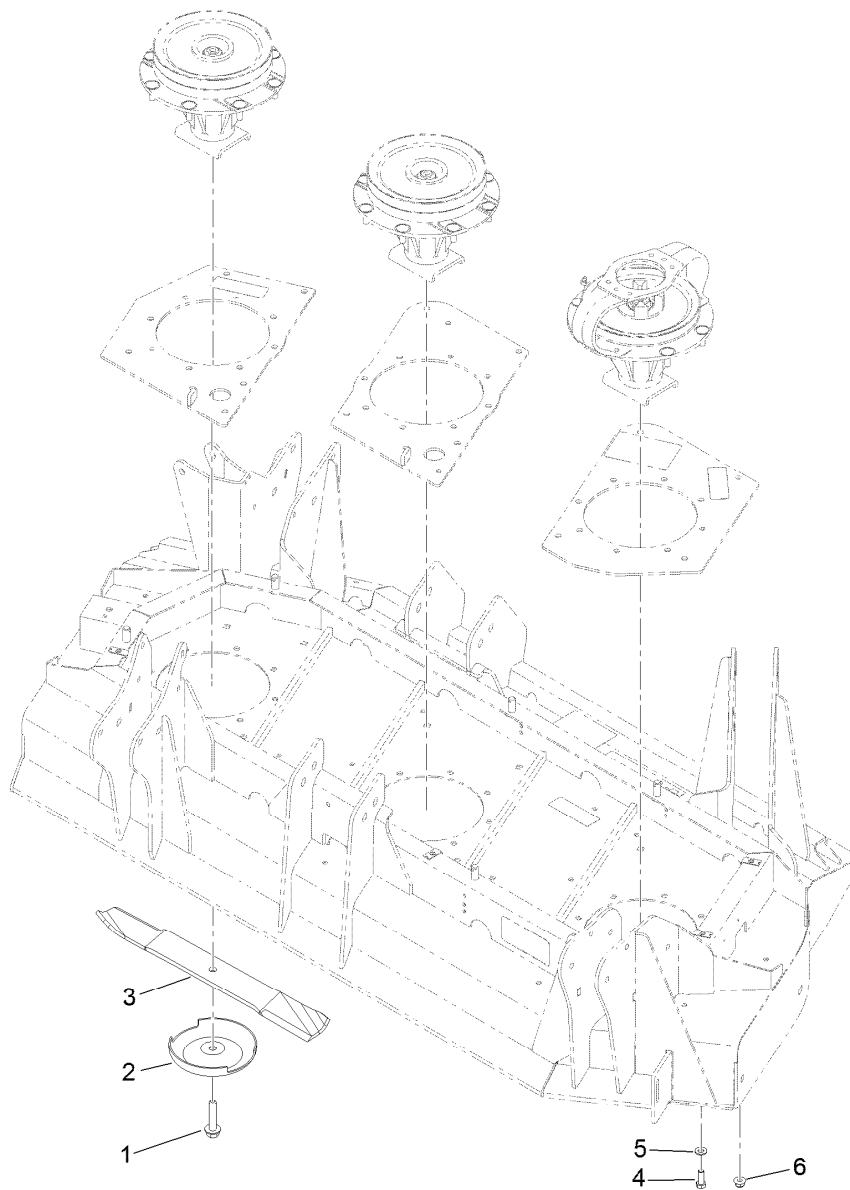
Left Hand Deck Decal Assembly No. 130-9271

| <i>Ref.</i> | <i>Part Number</i> | <i>Qty.</i> | <i>Description</i> |
|-------------|--------------------|-------------|--------------------------|
| 2 | 117-4979 | 1 | Decal-Warning |
| 3 | 120-6604 | 1 | Decal-Danger |
| 4 | 93-7818 | 1 | Decal-Torque, Blade Bolt |
| 5 | 110-3510 | 4 | Nut-Retainer |
| 6 | 131-6027 | 1 | Decal-HOC |



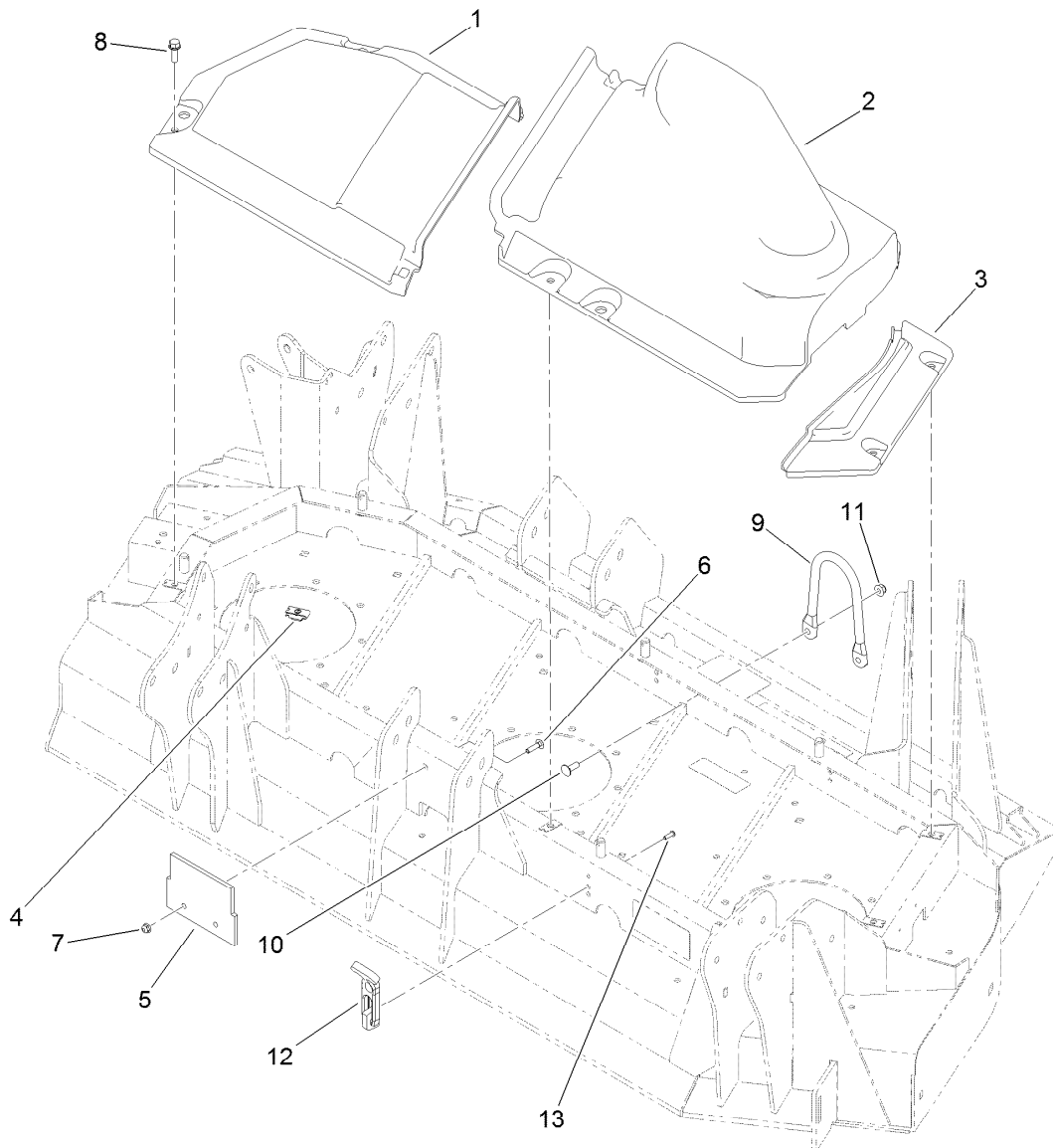
Left Hand Deck Skid and Caster Wheel Assembly

| Ref. | Part Number | Qty. | Description | Ref. | Part Number | Qty. | Description |
|------|-------------|------|-------------------|------|-------------|------|----------------------------|
| 1 | 112-1479 | 1 | Skid-Bumper, Deck | 12:1 | 92-5581 | 1 | Ring-Rtng, Snap, Int, Flat |
| 2 | 3231-33 | 2 | Screw-CARR | 12:2 | 92-5583 | 1 | Washer-Cap |
| 3 | 104-8301 | 17 | Nut-HF, NI | 12:3 | 92-9726 | 1 | Spring-Compression |
| 4 | 9136144 | 1 | Screw-HWHTF | 12:4 | 92-8861 | 1 | Cap-HOC |
| 5 | 323-42 | 12 | Screw-HH | 13 | 114-0953 | 1 | HOC Castor Arm ASM |
| 6 | 93-4240 | 4 | 10 Inch Wheel ASM | 13:2 | 302-5 | 2 | Fitting-Grease |
| 7 | 131-6042 | 1 | Caster Arm ASM | 13:3 | 69-6470 | 4 | Bushing-Caster |
| 7:2 | 302-5 | 1 | Fitting-Grease | 14 | 69-1510 | 24 | Spacer |
| 7:3 | 69-6470 | 2 | Bushing-Caster | 15 | 3256-24 | 12 | Washer-Flat |
| 8 | 69-6860 | 16 | Washer-Thrust | 16 | 131-6047 | 1 | Caster Arm ASM |
| 9 | 130-7784-01 | 4 | Fork-Caster | 16:2 | 302-5 | 1 | Fitting-Grease |
| 10 | 327-24 | 4 | Screw-HH | 16:3 | 69-6470 | 2 | Bushing-Caster |
| 11 | 3296-53 | 4 | Nut-Lock, NI | 17 | 131-6034-01 | 1 | Skid-Deck |
| 12 | 92-9727 | 4 | HOC Cap ASM | 18 | 3231-27 | 3 | Screw-CARR |



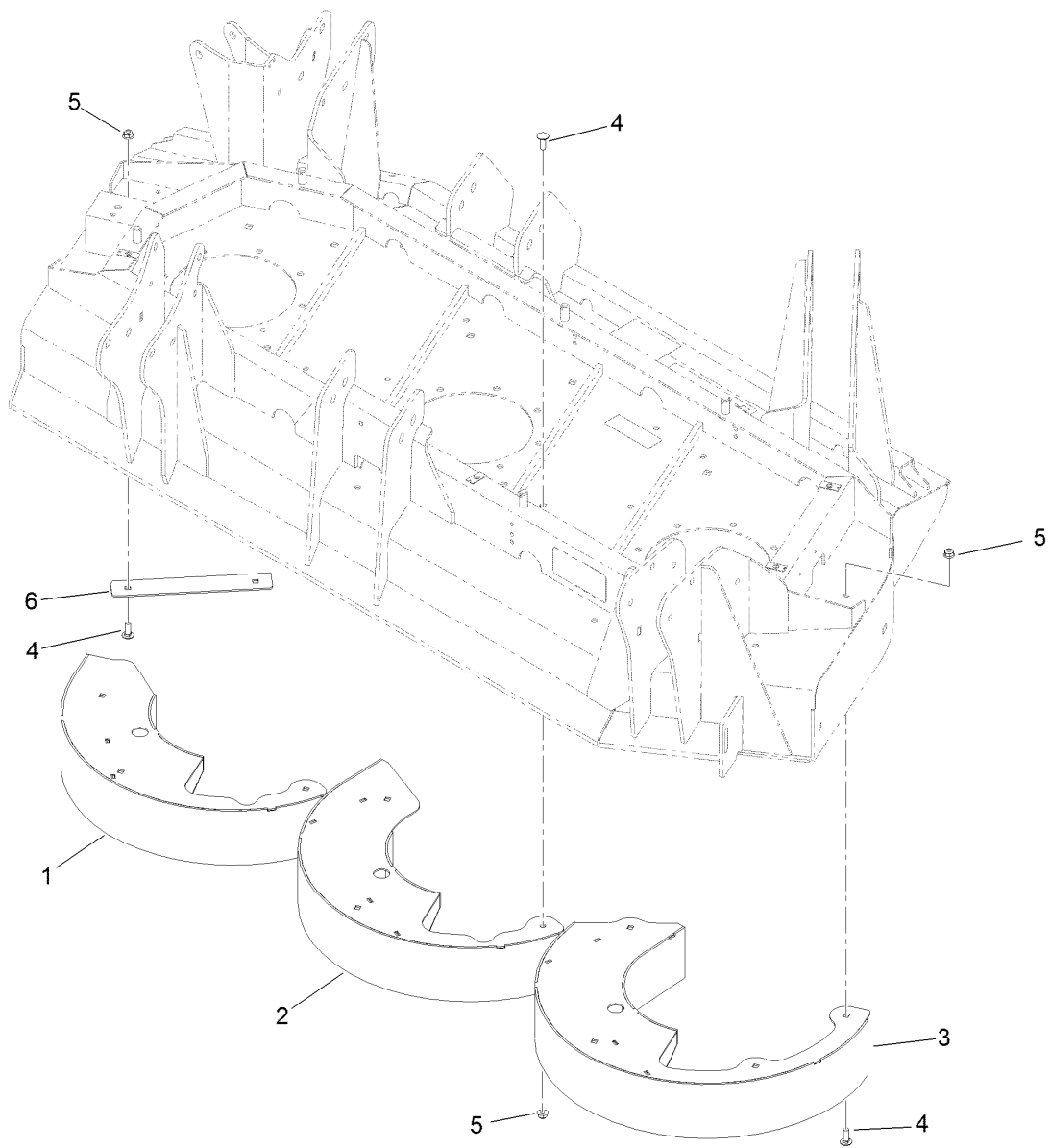
Left Hand Deck Blade Assembly

| <i>Ref.</i> | <i>Part Number</i> | <i>Qty.</i> | <i>Description</i> |
|-------------|--------------------|-------------|--------------------|
| 1 | 92-5816 | 3 | Bolt-Blade |
| 2 | 72-9361 | 3 | Cup-Scalp, Anti |
| 3 | 130-9151 | 3 | Blade-20 In |
| 4 | 323-6 | 4 | Screw-HH |
| 5 | 3256-24 | 4 | Washer-Flat |
| 6 | 104-8301 | 20 | Nut-HF, NI |



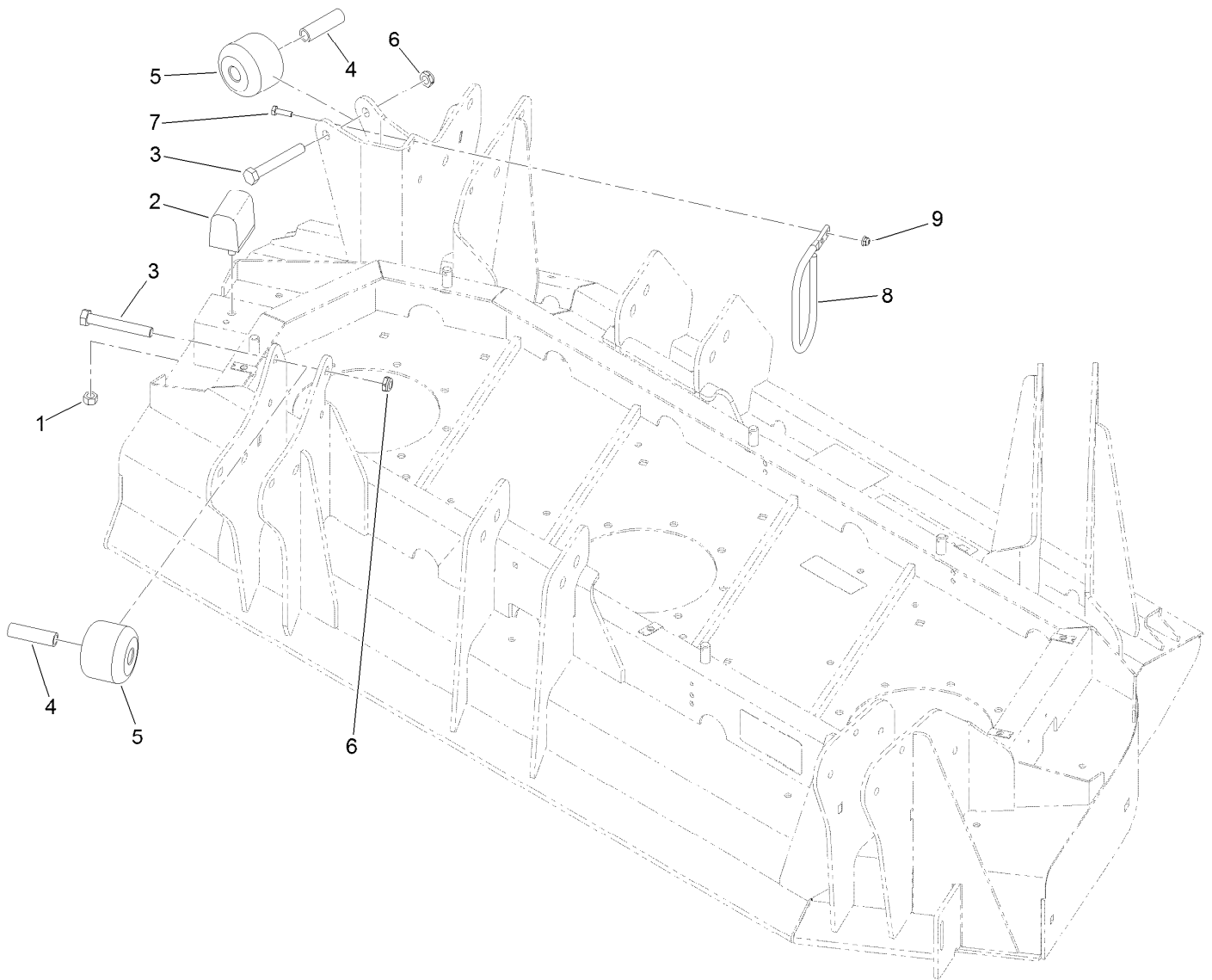
Left Hand Deck Belt Cover Assembly

| <i>Ref.</i> | <i>Part Number</i> | <i>Qty.</i> | <i>Description</i> |
|-------------|--------------------|-------------|-------------------------------|
| 1 | 114-5633 | 1 | Cover-Deck, LH Wing (Inside) |
| 2 | 114-5634 | 1 | Cover-Deck, LH Wing (Outside) |
| 3 | 114-5637 | 1 | Cover-Deck, LH Wing (Fixed) |
| 4 | 110-3510 | 4 | Nut-Retainer |
| 5 | 136-0079 | 1 | Plug-Rubber |
| 6 | 3229-2 | 2 | Screw-CARR |
| 7 | 104-7201 | 2 | Nut-HF, NI |
| 8 | 3234-29 | 4 | Screw-HHF |
| 9 | 115-3362 | 1 | Guide-Hose |
| 10 | 3230-10 | 2 | Bolt-CARR |
| 11 | 104-8300 | 2 | Nut-HF, NI |
| 12 | 103-4080 | 4 | Latch-Rubber |
| 13 | 3274-39 | 8 | Screw-HSBH |



Left Hand Deck Chamber Assembly

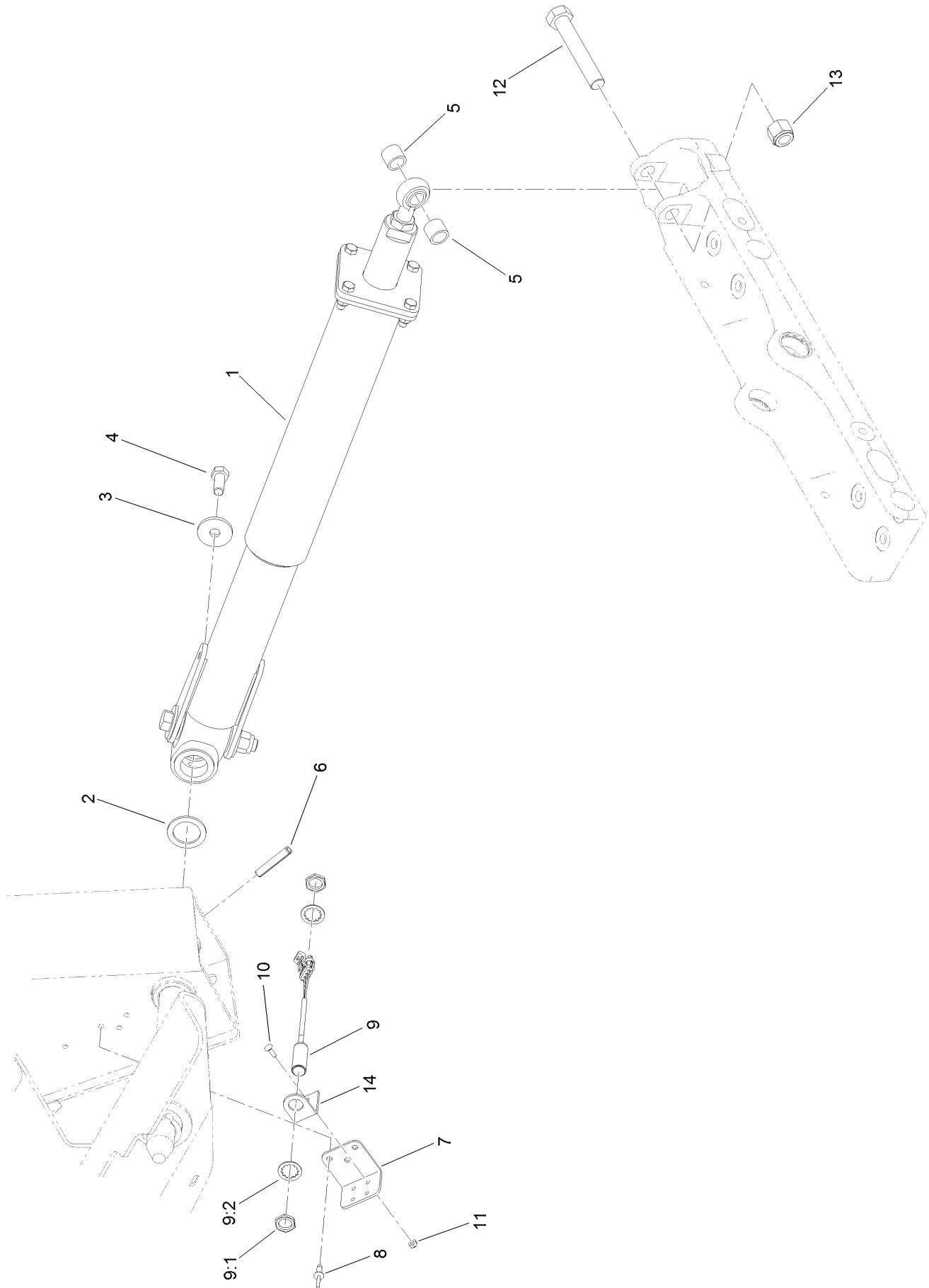
| <i>Ref.</i> | <i>Part Number</i> | <i>Qty.</i> | <i>Description</i> |
|-------------|--------------------|-------------|----------------------|
| 1 | 132-1600-0P | 1 | Chamber-Left, Inner |
| 2 | 131-6005-0P | 1 | Chamber-Left, Center |
| 3 | 131-6001-0P | 1 | Chamber-Left, Outer |
| 4 | 3230-10 | 12 | Bolt-CARR |
| 5 | 104-8300 | 12 | Nut-HF, NI |
| 6 | 133-2248-0P | 1 | Deflector-LH |



Left Hand Deck Stop Assembly

| Ref. | Part Number | Qty. | Description |
|------|-------------|------|--------------|
| 1 | 33025-00 | 1 | Nut-Lock, NI |
| 2 | 87-3470 | 1 | Bumper |
| 3 | 325-14 | 2 | Screw-HH |
| 4 | 115-2144 | 2 | Tube-Spacer |
| 5 | 115-3366 | 2 | Roller |
| 6 | 3296-45 | 2 | Nut-Hex |
| 7 | 321-5 | 2 | Screw-HH |
| 8 | 130-9161 | 1 | Support-Hose |
| 9 | 104-7201 | 2 | Nut-HF, NI |

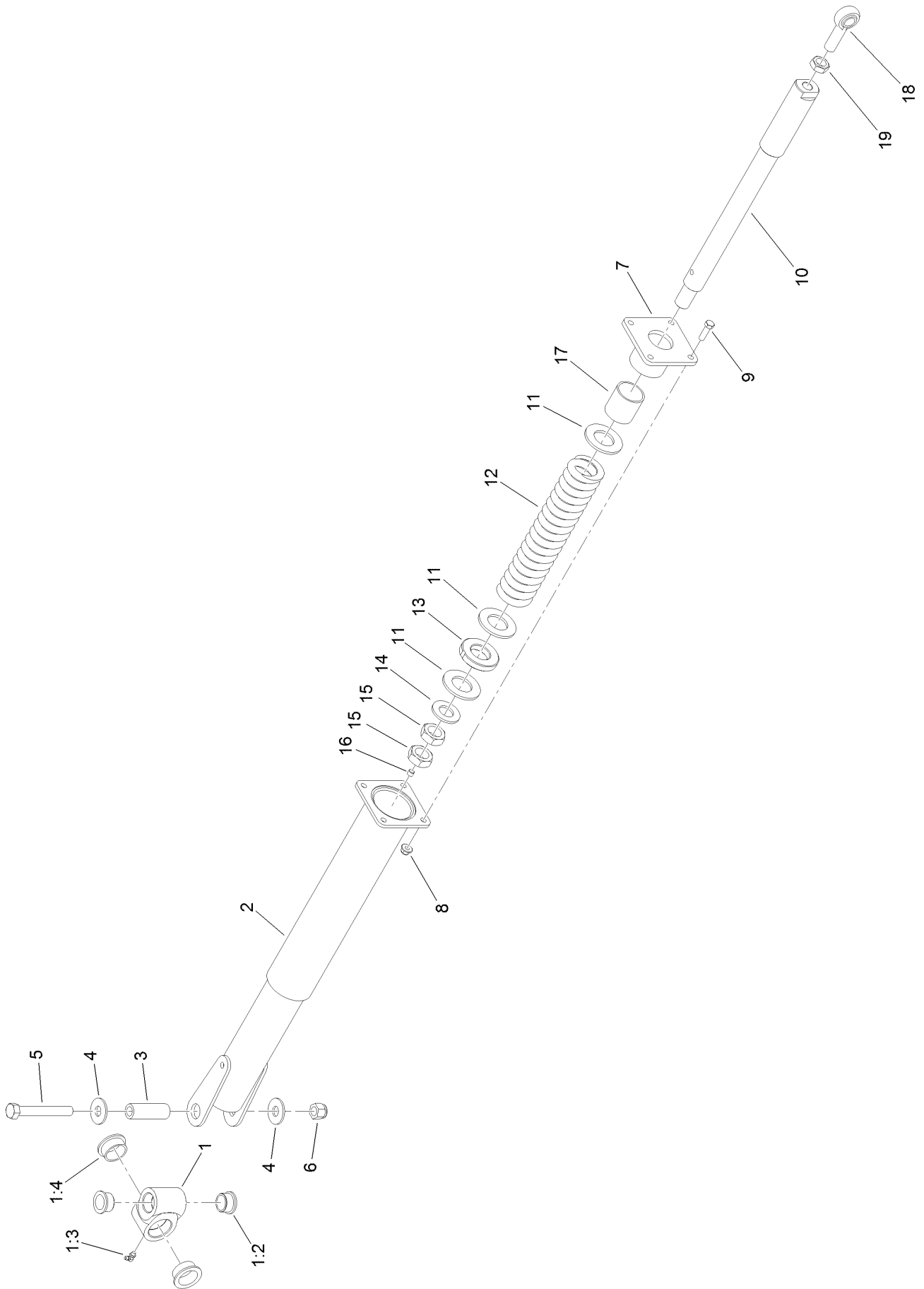
Left Hand Deck Impact Arm and Limit Switch Assembly



Left Hand Deck Impact Arm and Limit Switch Assembly (continued)

| <i>Ref.</i> | <i>Part Number</i> | <i>Qty.</i> | <i>Description</i> | <i>Ref.</i> | <i>Part Number</i> | <i>Qty.</i> | <i>Description</i> |
|-------------|--------------------|-------------|--------------------|-------------|--------------------|-------------|-----------------------------|
| 1 | 137-1648 | 1 | Impact Damper ASM | 9 | 115-5300 | 1 | Proximity Switch ASM |
| 2 | 98-1452 | 1 | Washer-Thrust | 9:1 | 117-3207 | 2 | Nut-Hex |
| 3 | 106-2008 | 1 | Washer-Thrust | 9:2 | 117-3208 | 2 | Washer-Lock, Internal Tooth |
| 4 | 325-5 | 1 | Screw-HH | 10 | 3229-34 | 2 | Screw-CARR |
| 5 | 136-0077 | 2 | Spacer | 11 | 3296-2 | 2 | Nut-Lock, NI |
| 6 | 117-5479 | 2 | Pin-Spring | 12 | 328-8 | 1 | Screw-HH |
| 7 | 133-2236 | 1 | Bracket-Support | 13 | 3296-51 | 1 | Nut-Lock, NI |
| 8 | 3290-412 | 3 | Rivet-Blind | 14 | 133-2235 | 1 | Bracket-Sensor, Side |

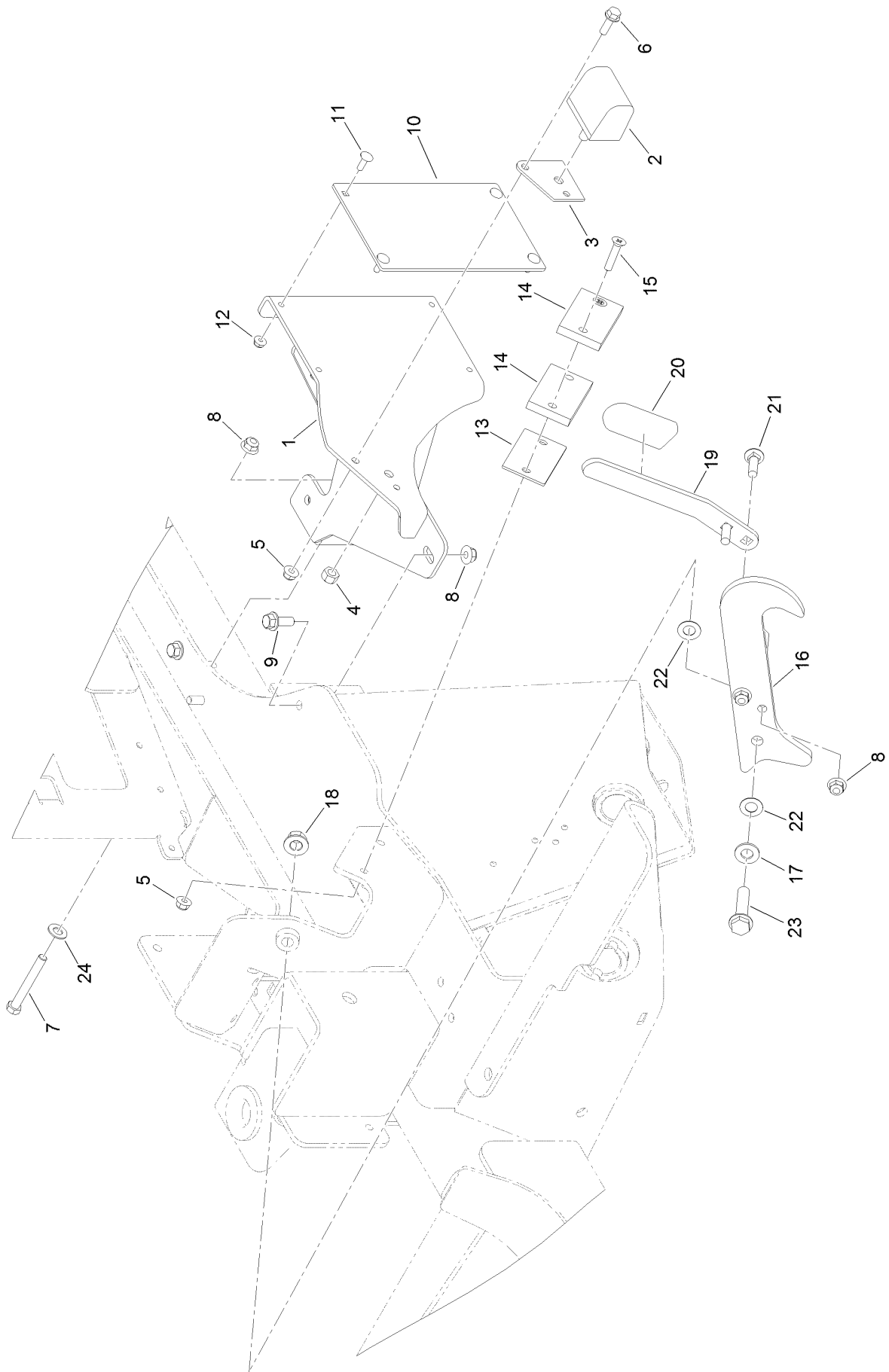
Impact Damper Assembly No. 137-1648



Impact Damper Assembly No. 137-1648 (continued)

| <i>Ref.</i> | <i>Part Number</i> | <i>Qty.</i> | <i>Description</i> | <i>Ref.</i> | <i>Part Number</i> | <i>Qty.</i> | <i>Description</i> |
|-------------|--------------------|-------------|--------------------|-------------|--------------------|-------------|--------------------|
| 1 | 138-5253 | 1 | Pivot Hub ASM | 9 | 323-7 | 4 | Screw-HH |
| 1:2 | 302-60 | 1 | Fitting-Grease | 10 | 138-5266 | 1 | Shaft-Spring |
| 1:3 | 115-5469 | 2 | Bushing-Flange | 11 | 114-5986 | 3 | Washer-Plain |
| 1:4 | 114-5680 | 2 | Bushing-Flange | 12 | 114-5993 | 1 | Spring-Compression |
| 2 | 137-5596 | 1 | Arm-Impact, Rear | 13 | 114-5992 | 1 | Bearing-Plastic |
| 3 | 94-6604 | 1 | Tube-Spacer | 14 | 3256-62 | 1 | Washer-Flat |
| 4 | 3256-7 | 2 | Washer-Flat | 15 | 3220-9 | 2 | Nut-Jam |
| 5 | 327-23 | 1 | Screw-HH | 16 | 285-17 | 1 | Plug-Pipe |
| 6 | 3296-53 | 1 | Nut-Lock, NI | 17 | 114-5989 | 1 | Bushing-Plain |
| 7 | 138-5250 | 1 | Housing ASM | 18 | 105-2806 | 1 | End-Rod |
| 8 | 104-8301 | 4 | Nut-HF, NI | 19 | 3220-7 | 1 | Nut-Jam |

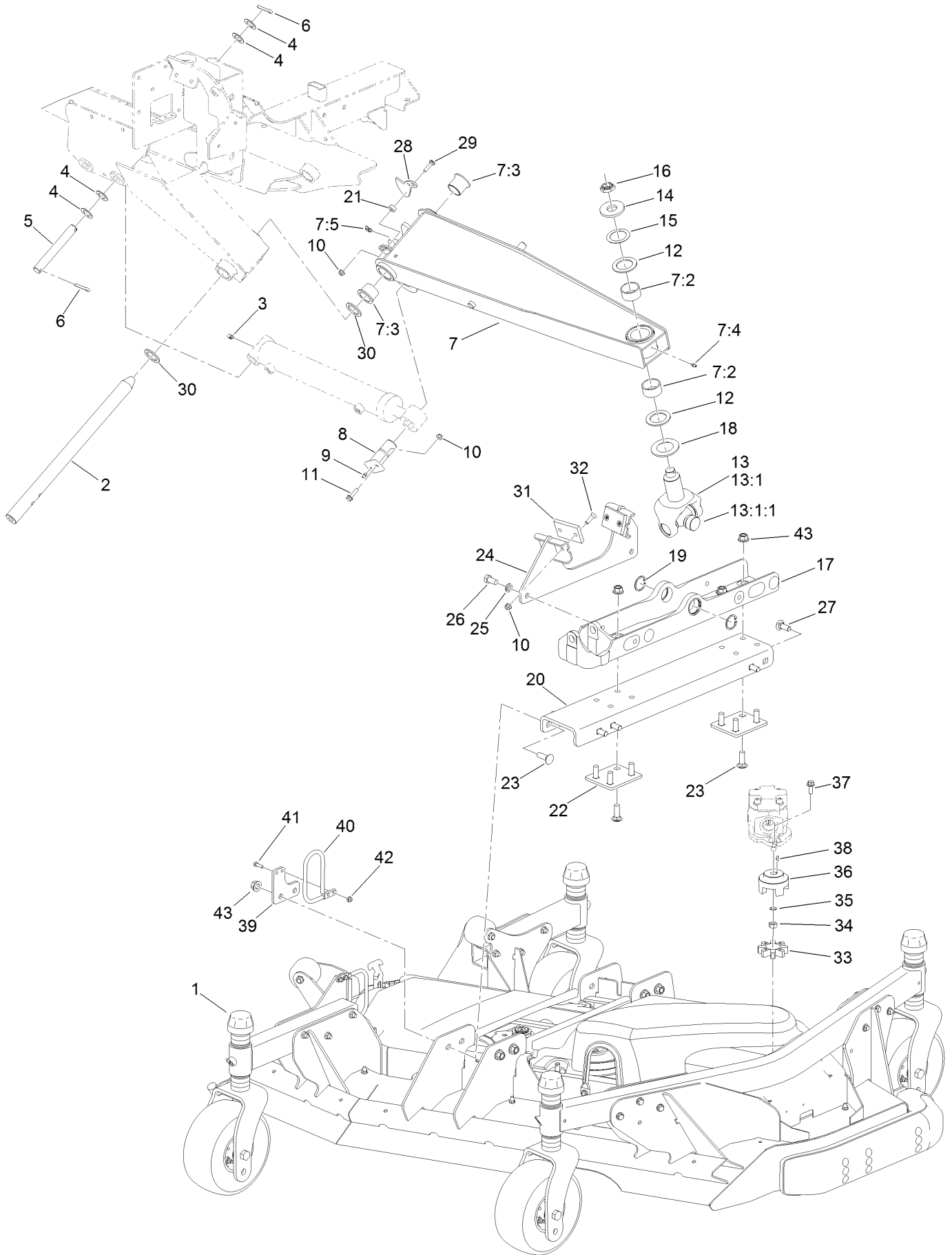
Left Hand Deck Transport Lock Assembly



Left Hand Deck Transport Lock Assembly (continued)

| <i>Ref.</i> | <i>Part Number</i> | <i>Qty.</i> | <i>Description</i> | <i>Ref.</i> | <i>Part Number</i> | <i>Qty.</i> | <i>Description</i> |
|-------------|--------------------|-------------|--------------------|-------------|--------------------|-------------|--------------------|
| 1 | 119-8275-01 | 1 | Pad-Transport, LH | 13 | 114-5675 | 1 | Shim-Pad |
| 2 | 87-3470 | 1 | Bumper | 14 | 69-9300 | 2 | Pad-Bumper |
| 3 | 115-8826 | 1 | Shim-Bumper | 15 | 32108-107 | 2 | Screw-FH |
| 4 | 33025-00 | 1 | Nut-Lock, NI | 16 | 119-7723-03 | 1 | Latch-Wing |
| 5 | 104-8300 | 3 | Nut-HF, NI | 17 | 3256-26 | 1 | Washer-Flat |
| 6 | 3234-17 | 1 | Screw-HHF | 18 | 99-5107 | 1 | Nut-Lock |
| 7 | 323-14 | 1 | Screw-HH | 19 | 114-5659-03 | 1 | Handle-Latch |
| 8 | 104-8301 | 5 | Nut-HF, NI | 20 | 119-1846 | 1 | Grip |
| 9 | 3234-42 | 2 | Screw-HHF | 21 | 3231-25 | 2 | Bolt-CARR |
| 10 | 117-5476 | 1 | Pad-Roller | 22 | 104-3577 | 2 | Washer |
| 11 | 1-807512 | 4 | Bolt-CARR | 23 | 3234-46 | 1 | Screw-HHF |
| 12 | 104-7201 | 4 | Nut-HF, NI | 24 | 52-2861 | 1 | Washer |

Right Hand Deck Connection Assembly

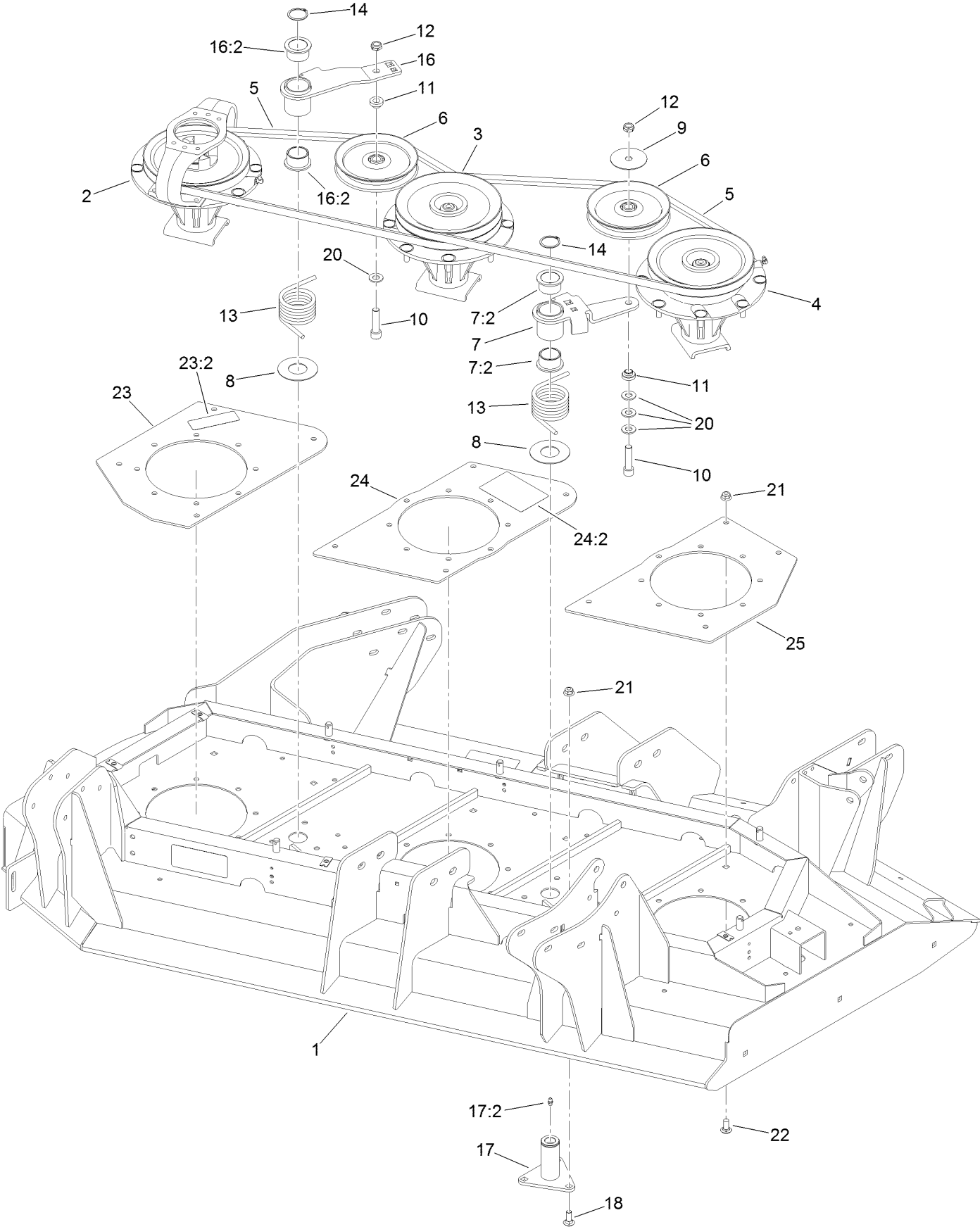


Right Hand Deck Connection Assembly (continued)

| <i>Ref.</i> | <i>Part Number</i> | <i>Qty.</i> | <i>Description</i> | <i>Ref.</i> | <i>Part Number</i> | <i>Qty.</i> | <i>Description</i> |
|-------------|--------------------|-------------|-----------------------|-------------|--------------------|-------------|---------------------|
| 1 | | 1 | Right Deck ASM ● | 20 | 136-0064-01 | 1 | Channel-RH |
| 2 | 121-3882 | 1 | Shaft-Pivot, Lift Arm | 21 | 121-1759 | 2 | Spacer |
| 3 | 302-60 | 1 | Fitting-Grease | 22 | 136-0065-01 | 2 | Plate-Spacer |
| 4 | 110-6767 | 4 | Washer-Thrust | 23 | 3233-2 | 10 | Screw-CARR |
| 5 | 110-6006 | 1 | Pin-Clevis | 24 | 136-0080-03 | 1 | Stop-Deck, RH |
| 6 | 3272-30 | 2 | Pin-Cotter | 25 | 3253-7 | 2 | Washer-Lock |
| 7 | 138-6395 | 1 | Lift Arm ASM, RH | 26 | 325-4 | 2 | Screw-HH |
| 7:2 | 114-5596 | 2 | Bushing-Straight | 27 | 3233-1 | 6 | Screw-CARR |
| 7:3 | 69-6470 | 2 | Bushing-Caster | 28 | 112-7339 | 1 | Plate-Sensing |
| 7:4 | 302-5 | 1 | Fitting-Grease | 29 | 3230-3 | 2 | Screw-CARR |
| 7:5 | 302-60 | 1 | Fitting-Grease | 30 | 98-1452 | 1 | Washer-Thrust |
| 8 | 125-1912 | 1 | Pin-Pivot | 31 | 69-9290 | 2 | Pad-Bumper |
| 9 | 302-5 | 1 | Fitting-Grease | 32 | 32108-103 | 4 | Screw-FH |
| 10 | 104-8300 | 7 | Nut-HF, NI | 33 | 104-3542 | 1 | Spider |
| 11 | 119-4036 | 1 | Screw-HHF | 34 | 110-8815 | 1 | Nut-Hex |
| 12 | 104-0721 | 2 | Washer-Thrust | 35 | 112-6957 | 1 | Washer-Hardened |
| 13 | 114-5640-03 | 1 | Joint Yoke ASM | 36 | 104-3541 | 1 | Hub-Spider |
| 13:1 | | 1 | Yoke-Joint ● | 37 | 3234-42 | 2 | Screw-HHF |
| 13:1:1 | 104-4299 | 1 | Cross And Bearing Kit | 38 | 3257-3 | 1 | Key-Woodruff |
| 14 | 104-0719 | 1 | Washer-Hardened | 39 | 136-0055-01 | 1 | Plate-Hose Retainer |
| 15 | 114-5641 | 1 | Washer-Thrust | 40 | 130-9161 | 1 | Support-Hose |
| 16 | 116-1399 | 1 | Locknut | 41 | 321-5 | 2 | Screw-HH |
| 17 | 136-0061-03 | 1 | Mount-Deck, Machining | 42 | 104-7201 | 2 | Nut-HF, NI |
| 18 | 104-0720 | 1 | Spacer | 43 | 99-5107 | 16 | Nut-Lock |
| 19 | 32120-42 | 2 | Ring-Retaining | | | | |

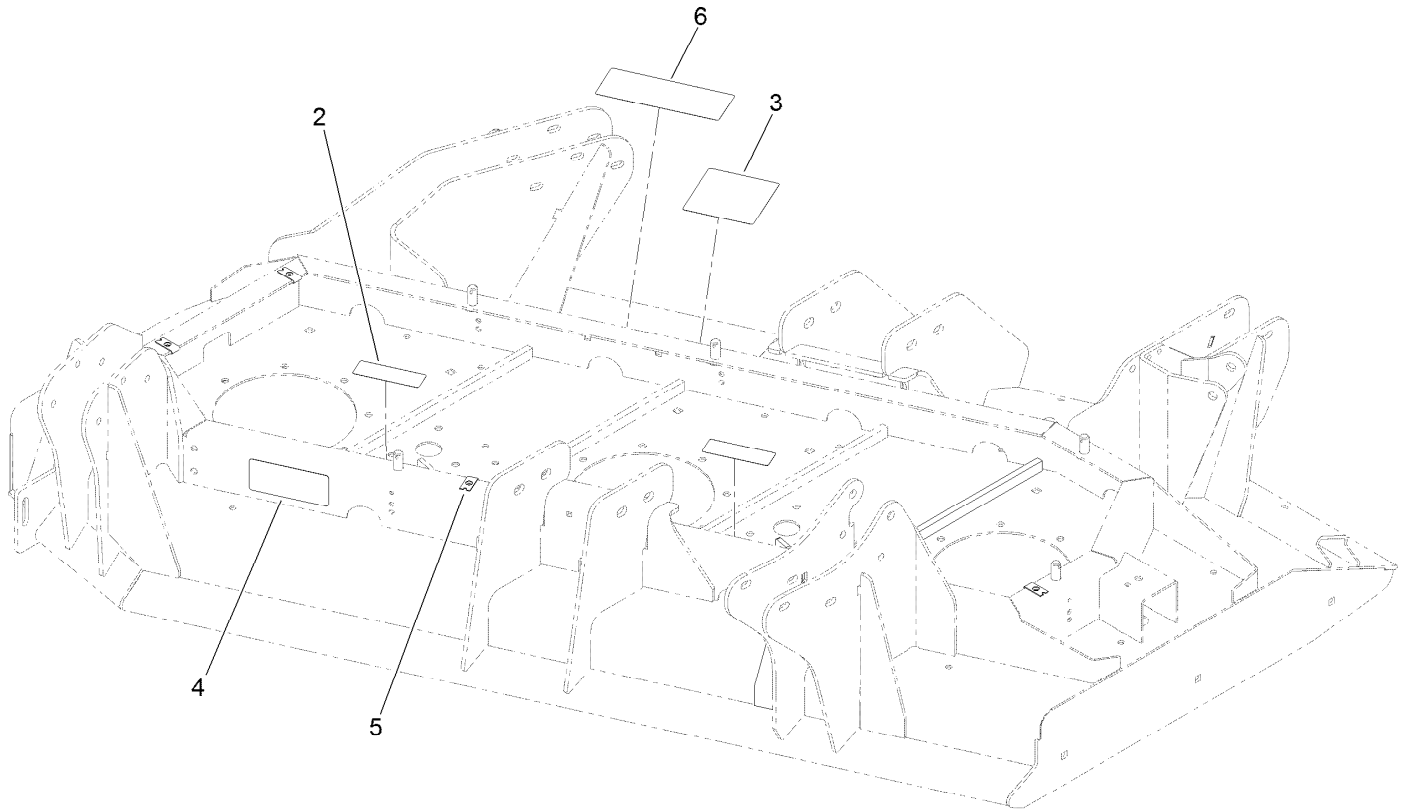
● Not serviced separately

Right Hand Deck Belt, Pulley and Spindle Assembly



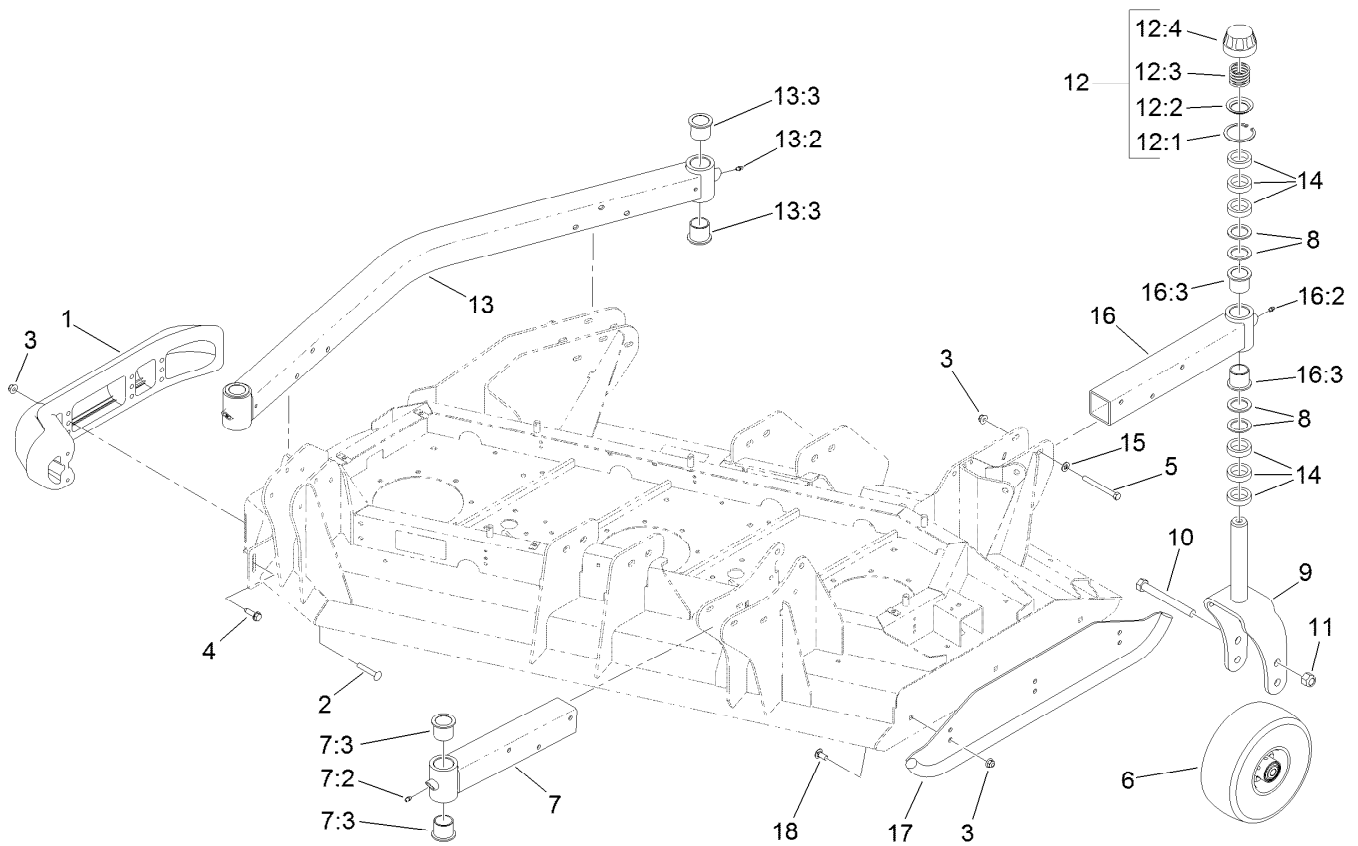
Right Hand Deck Belt, Pulley and Spindle Assembly (continued)

| <i>Ref.</i> | <i>Part Number</i> | <i>Qty.</i> | <i>Description</i> | <i>Ref.</i> | <i>Part Number</i> | <i>Qty.</i> | <i>Description</i> |
|-------------|--------------------|-------------|----------------------------|-------------|--------------------|-------------|-------------------------------|
| 1 | 130-9241 | 1 | Right Deck ASM | 16 | 140-7078 | 1 | Idler Arm ASM |
| 2 | 139-1034 | 1 | Single Driving Spindle ASM | 16:2 | 93-4510 | 2 | Bushing-Caster |
| 3 | 139-1033 | 1 | Double Driven Spindle ASM | 17 | 137-5640 | 2 | Idler Pivot ASM |
| 4 | 139-1032 | 1 | High Driven Spindle ASM | 17:2 | 302-5 | 1 | Fitting-Grease |
| 5 | 112-7377 | 2 | Belt-V, B | 18 | 3231-2 | 6 | Bolt-CARR |
| 6 | 140-5847 | 2 | Pulley-Idler | 20 | 3256-26 | 4 | Washer-Flat |
| 7 | 140-7079 | 1 | Idler Arm ASM | 21 | 104-8301 | 18 | Nut-HF, NI |
| 7:2 | 93-4510 | 2 | Bushing-Caster | 22 | 3231-27 | 12 | Screw-CARR |
| 8 | 108-1926 | 2 | Washer | 23 | 132-1617 | 1 | Outer Spindle Plate ASM |
| 9 | 100-3102 | 1 | Washer-Flat | 23:2 | 117-4979 | 1 | Decal-Warning |
| 10 | 3274-5 | 2 | Screw-HSH | 24 | 132-1618 | 1 | Center Spindle Plate ASM |
| 11 | 108-1924 | 2 | Spacer-Idler | 24:2 | 114-0974 | 1 | Decal-Belt Routing, Deck (RH) |
| 12 | 3296-45 | 2 | Nut-Hex | | | | |
| 13 | 108-1921 | 2 | Spring-Torsion | 25 | 132-1615-01 | 1 | Plate-Spindle, Inner |
| 14 | 32120-84 | 2 | Ring-Snap, External | | | | |



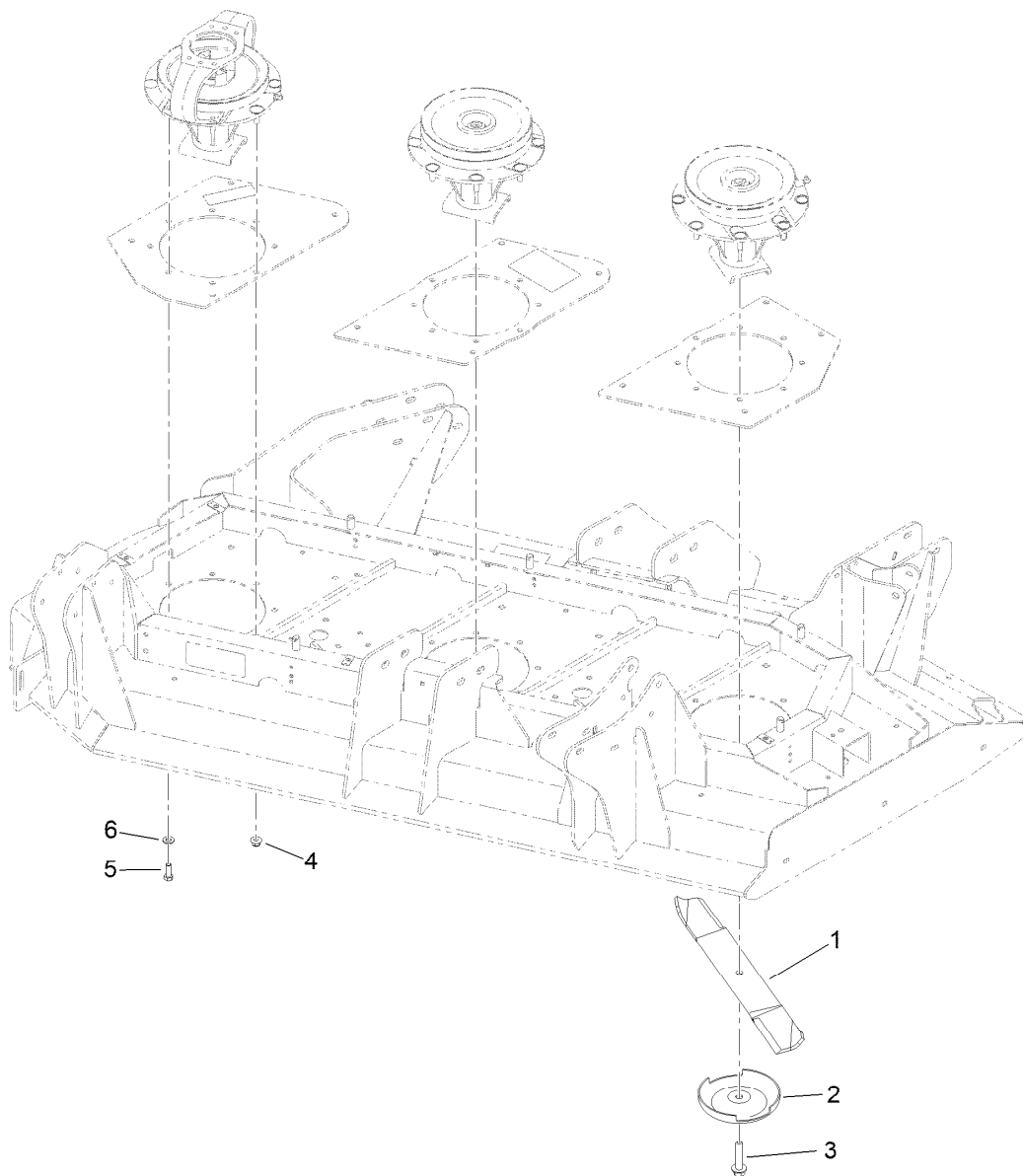
Right Hand Deck Decal Assembly No. 130-9241

| <i>Ref.</i> | <i>Part Number</i> | <i>Qty.</i> | <i>Description</i> |
|-------------|--------------------|-------------|--------------------------|
| 2 | 117-4979 | 2 | Decal-Warning |
| 3 | 120-6604 | 1 | Decal-Danger |
| 4 | 93-7818 | 1 | Decal-Torque, Blade Bolt |
| 5 | 110-3510 | 4 | Nut-Retainer |
| 6 | 131-6027 | 1 | Decal-HOC |



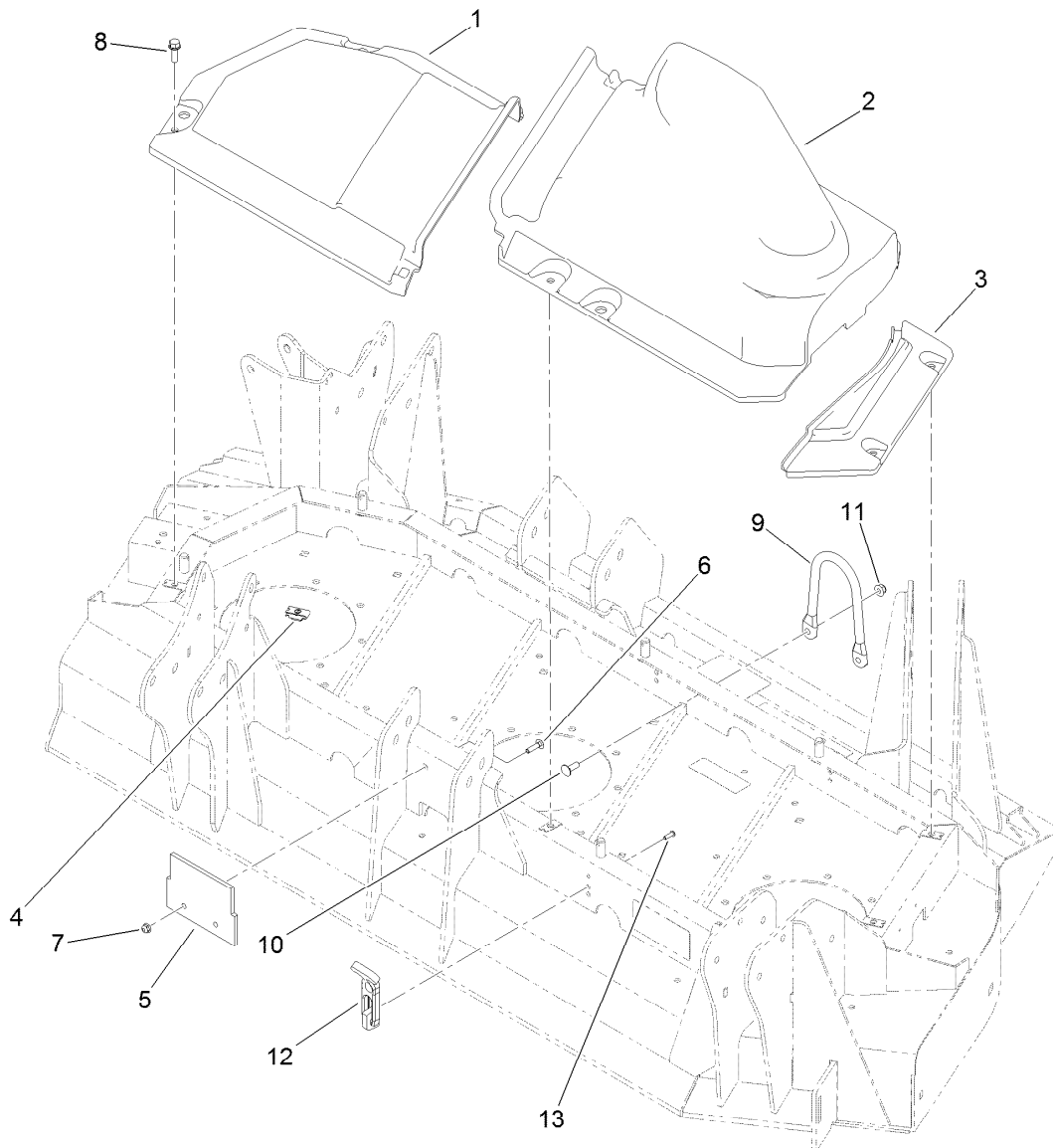
Right Hand Deck Skid and Caster Wheel Assembly

| Ref. | Part Number | Qty. | Description | Ref. | Part Number | Qty. | Description |
|------|-------------|------|-------------------|------|-------------|------|----------------------------|
| 1 | 112-1479 | 1 | Skid-Bumper, Deck | 12:1 | 92-5581 | 1 | Ring-Rtng, Snap, Int, Flat |
| 2 | 3231-33 | 2 | Screw-CARR | 12:2 | 92-5583 | 1 | Washer-Cap |
| 3 | 104-8301 | 17 | Nut-HF, NI | 12:3 | 92-9726 | 1 | Spring-Compression |
| 4 | 9136144 | 1 | Screw-HWHTF | 12:4 | 92-8861 | 1 | Cap-HOC |
| 5 | 323-42 | 12 | Screw-HH | 13 | 114-0953 | 1 | HOC Castor Arm ASM |
| 6 | 93-4240 | 4 | 10 Inch Wheel ASM | 13:2 | 302-5 | 2 | Fitting-Grease |
| 7 | 131-6042 | 1 | Caster Arm ASM | 13:3 | 69-6470 | 4 | Bushing-Caster |
| 7:2 | 302-5 | 1 | Fitting-Grease | 14 | 69-1510 | 24 | Spacer |
| 7:3 | 69-6470 | 2 | Bushing-Caster | 15 | 3256-24 | 12 | Washer-Flat |
| 8 | 69-6860 | 16 | Washer-Thrust | 16 | 131-6047 | 1 | Caster Arm ASM |
| 9 | 130-7784-01 | 4 | Fork-Caster | 16:2 | 302-5 | 1 | Fitting-Grease |
| 10 | 327-24 | 4 | Screw-HH | 16:3 | 69-6470 | 2 | Bushing-Caster |
| 11 | 3296-53 | 4 | Nut-Lock, NI | 17 | 131-6034-01 | 1 | Skid-Deck |
| 12 | 92-9727 | 4 | HOC Cap ASM | 18 | 3231-27 | 3 | Screw-CARR |



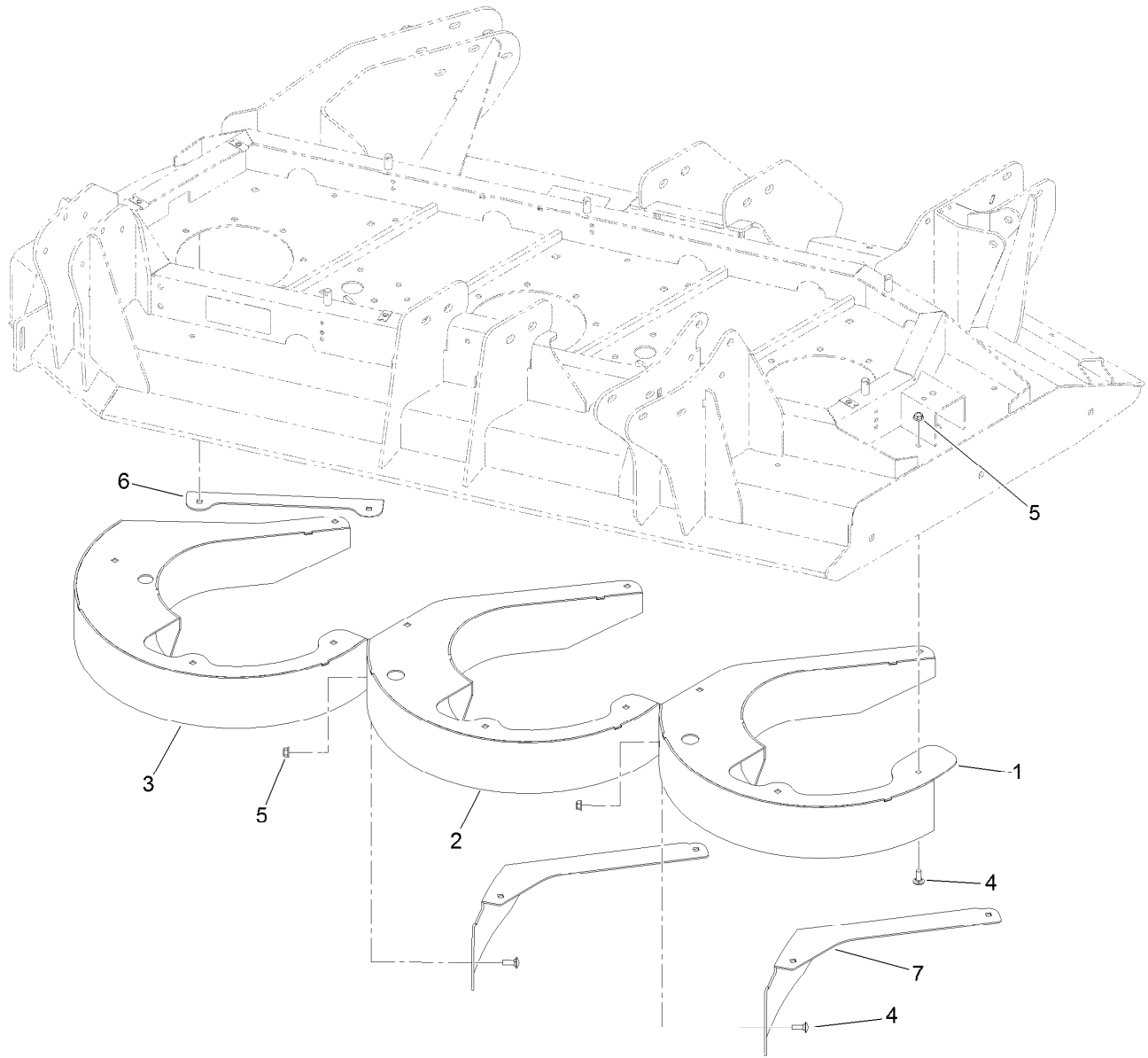
Right Hand Deck Blade Assembly

| <i>Ref.</i> | <i>Part Number</i> | <i>Qty.</i> | <i>Description</i> |
|-------------|--------------------|-------------|--------------------|
| 1 | 130-9151 | 3 | Blade-20 In |
| 2 | 72-9361 | 3 | Cup-Scalp, Anti |
| 3 | 92-5816 | 3 | Bolt-Blade |
| 4 | 104-8301 | 20 | Nut-HF, NI |
| 5 | 323-6 | 4 | Screw-HH |
| 6 | 3256-24 | 4 | Washer-Flat |



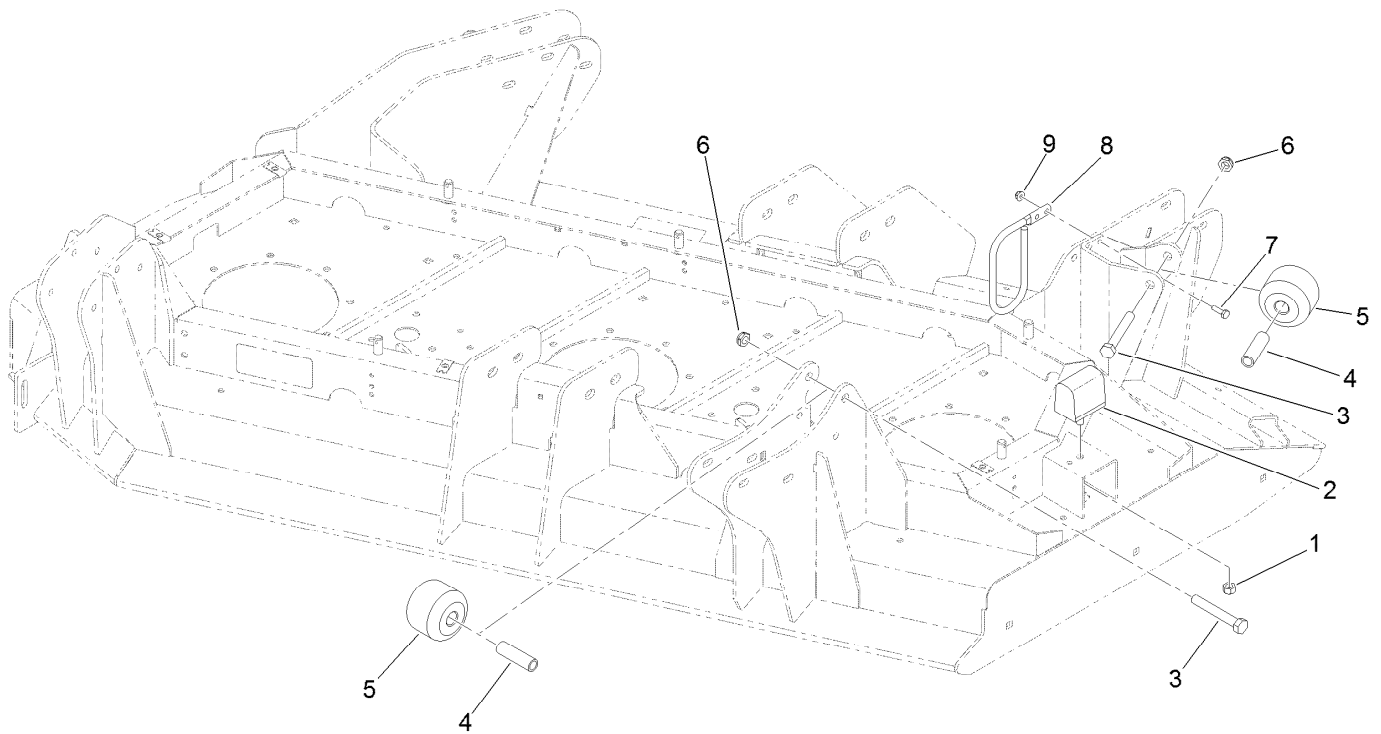
Right Hand Deck Belt Cover Assembly

| <i>Ref.</i> | <i>Part Number</i> | <i>Qty.</i> | <i>Description</i> |
|-------------|--------------------|-------------|-------------------------------|
| 1 | 114-5635 | 1 | Cover-Deck, RH Wing (Inside) |
| 2 | 114-5636 | 1 | Cover-Deck, RH Wing (Outside) |
| 3 | 114-5638 | 1 | Cover-Deck, RH Wing (Fixed) |
| 4 | 110-3510 | 4 | Nut-Retainer |
| 5 | 136-0079 | 1 | Plug-Rubber |
| 6 | 3229-2 | 2 | Screw-CARR |
| 7 | 104-7201 | 2 | Nut-HF, NI |
| 8 | 3234-29 | 4 | Screw-HHF |
| 9 | 115-3362 | 1 | Guide-Hose |
| 10 | 3230-10 | 2 | Bolt-CARR |
| 11 | 104-8300 | 2 | Nut-HF, NI |
| 12 | 103-4080 | 4 | Latch-Rubber |
| 13 | 3274-39 | 8 | Screw-HSBH |



Right Hand Deck Chamber Assembly

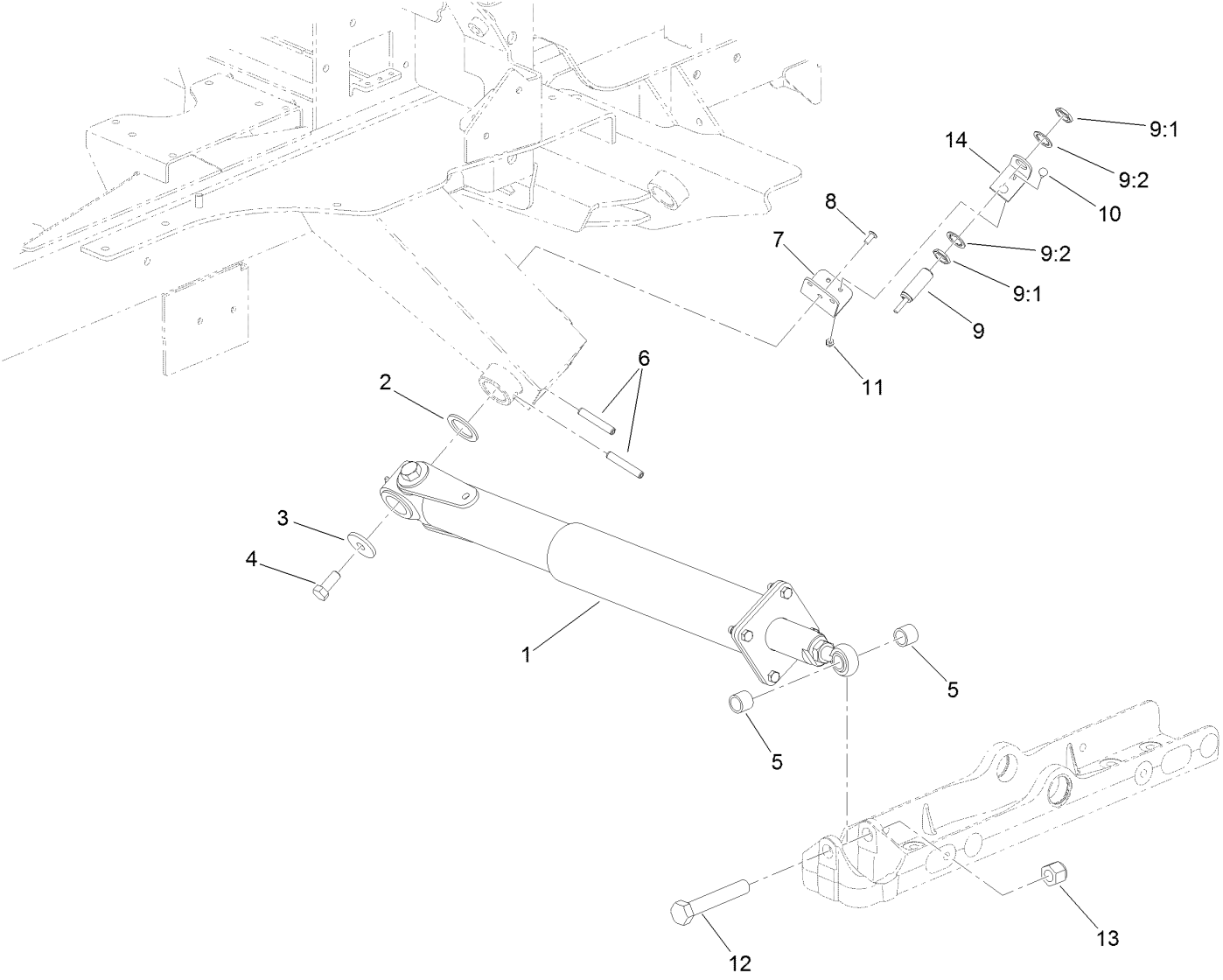
| <i>Ref.</i> | <i>Part Number</i> | <i>Qty.</i> | <i>Description</i> |
|-------------|--------------------|-------------|-----------------------|
| 1 | 132-1637-0P | 1 | Chamber-Right, Inner |
| 2 | 132-1634-0P | 1 | Chamber-Right, Center |
| 3 | 132-1630-0P | 1 | Chamber-Right, Outer |
| 4 | 3230-10 | 20 | Bolt-CARR |
| 5 | 104-8300 | 20 | Nut-HF, NI |
| 6 | 133-2249-0P | 1 | Deflector-RH |
| 7 | 133-2205-0P | 2 | Deflector |



Right Hand Deck Stop Assembly

| Ref. | Part Number | Qty. | Description |
|------|-------------|------|--------------|
| 1 | 33025-00 | 1 | Nut-Lock, NI |
| 2 | 87-3470 | 1 | Bumper |
| 3 | 325-14 | 2 | Screw-HH |
| 4 | 115-2144 | 2 | Tube-Spacer |
| 5 | 115-3366 | 2 | Roller |
| 6 | 3296-45 | 2 | Nut-Hex |
| 7 | 321-5 | 2 | Screw-HH |
| 8 | 130-9161 | 1 | Support-Hose |
| 9 | 104-7201 | 2 | Nut-HF, NI |

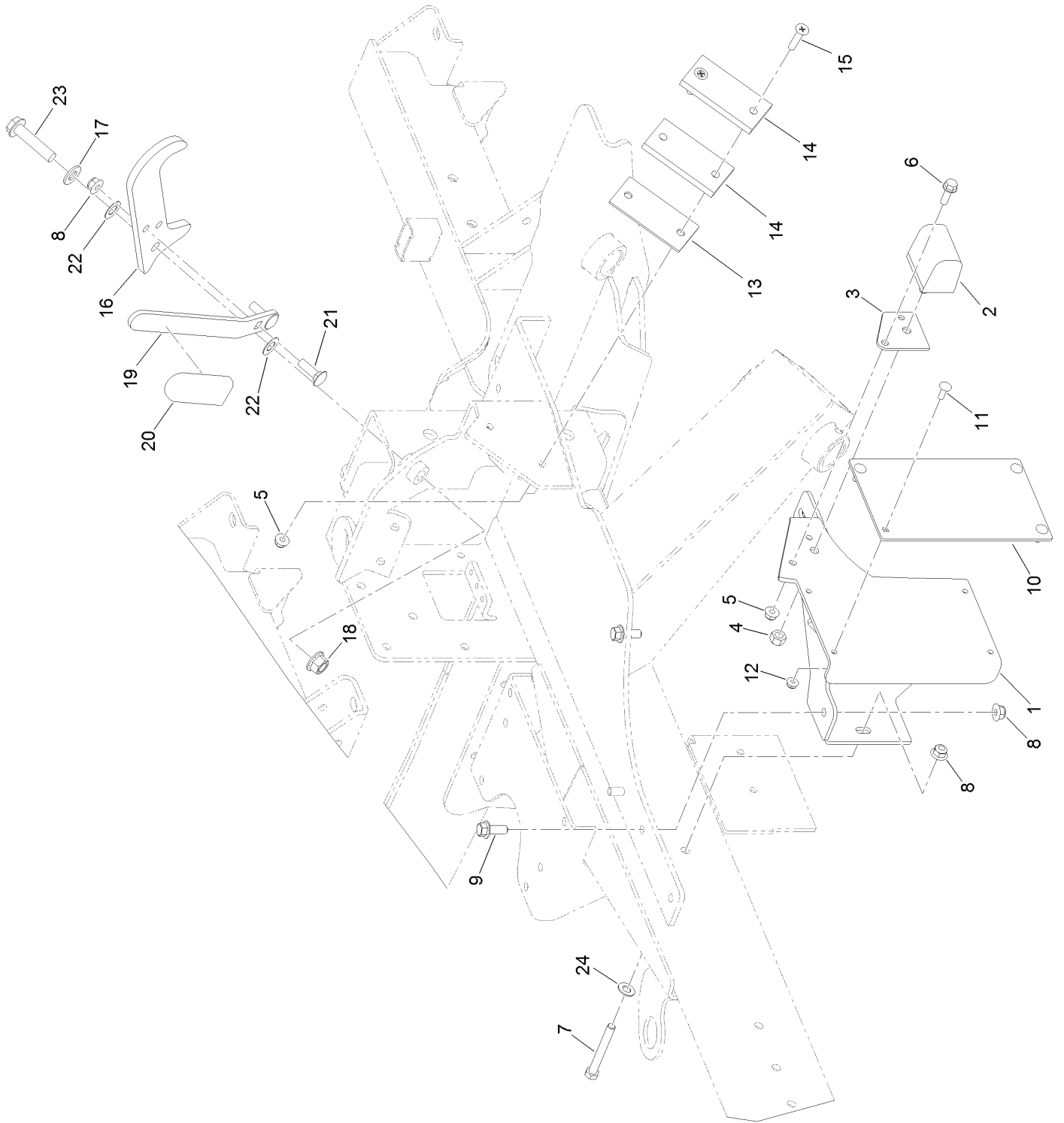
Right Hand Deck Impact Arm and Limit Switch Assembly



Right Hand Deck Impact Arm and Limit Switch Assembly (continued)

| <i>Ref.</i> | <i>Part Number</i> | <i>Qty.</i> | <i>Description</i> | <i>Ref.</i> | <i>Part Number</i> | <i>Qty.</i> | <i>Description</i> |
|-------------|--------------------|-------------|--------------------|-------------|--------------------|-------------|-----------------------------|
| 1 | 137-1648 | 1 | Impact Damper ASM | 9 | 115-5300 | 1 | Proximity Switch ASM |
| 2 | 98-1452 | 1 | Washer-Thrust | 9:1 | 117-3207 | 2 | Nut-Hex |
| 3 | 106-2008 | 1 | Washer-Thrust | 9:2 | 117-3208 | 2 | Washer-Lock, Internal Tooth |
| 4 | 325-5 | 1 | Screw-HH | 10 | 3229-34 | 2 | Screw-CARR |
| 5 | 136-0077 | 2 | Spacer | 11 | 3296-2 | 2 | Nut-Lock, NI |
| 6 | 117-5479 | 2 | Pin-Spring | 12 | 328-8 | 1 | Screw-HH |
| 7 | 133-2236 | 1 | Bracket-Support | 13 | 3296-51 | 1 | Nut-Lock, NI |
| 8 | 3290-412 | 3 | Rivet-Blind | 14 | 133-2235 | 1 | Bracket-Sensor, Side |

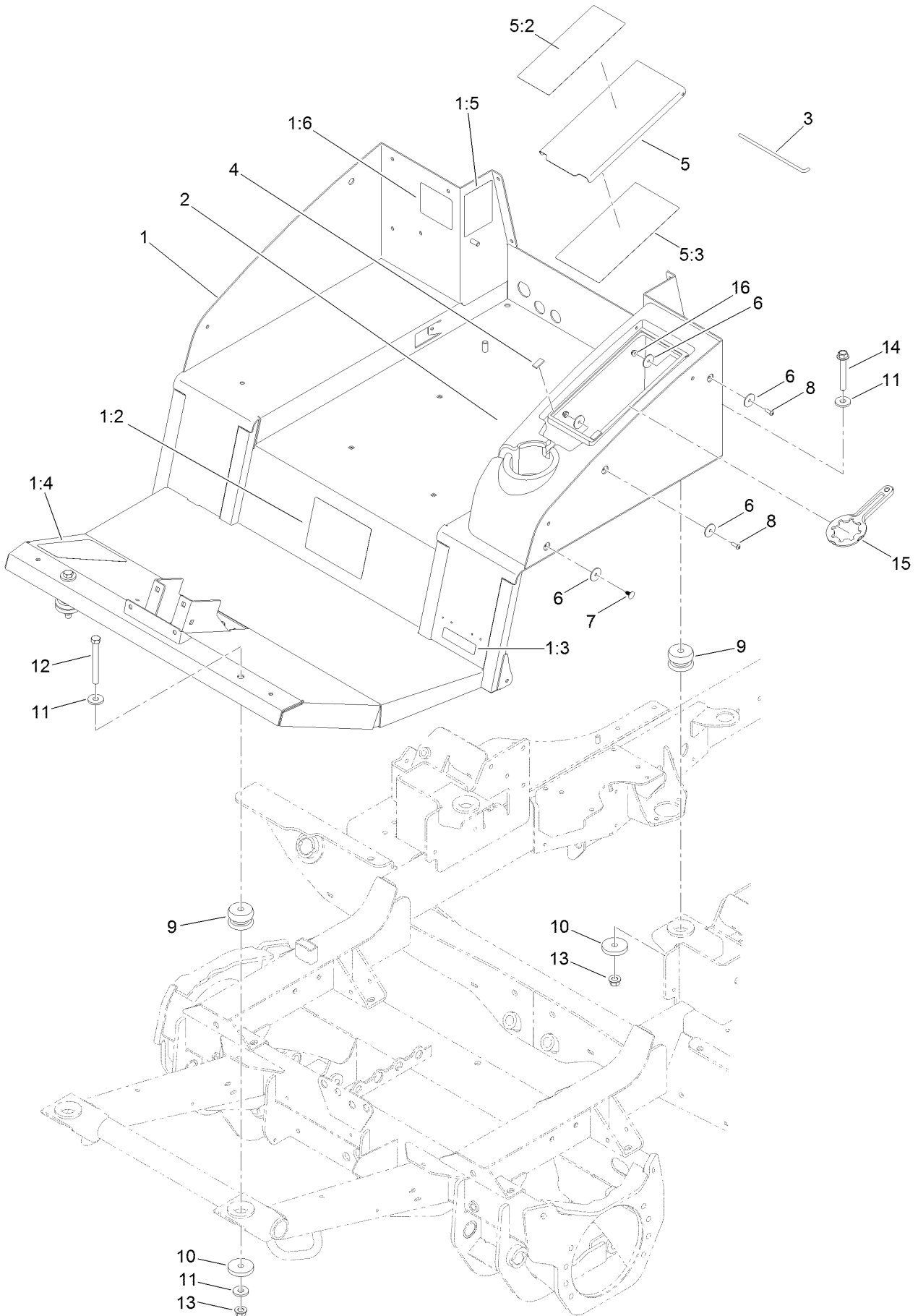
Right Hand Deck Transport Lock Assembly



Right Hand Deck Transport Lock Assembly (continued)

| <i>Ref.</i> | <i>Part Number</i> | <i>Qty.</i> | <i>Description</i> | <i>Ref.</i> | <i>Part Number</i> | <i>Qty.</i> | <i>Description</i> |
|-------------|--------------------|-------------|--------------------|-------------|--------------------|-------------|--------------------|
| 1 | 119-8270-01 | 1 | Pad-Transport, RH | 13 | 114-5675 | 1 | Shim-Pad |
| 2 | 87-3470 | 1 | Bumper | 14 | 69-9300 | 2 | Pad-Bumper |
| 3 | 115-8826 | 1 | Shim-Bumper | 15 | 32108-107 | 2 | Screw-FH |
| 4 | 33025-00 | 1 | Nut-Lock, NI | 16 | 119-7723-03 | 1 | Latch-Wing |
| 5 | 104-8300 | 3 | Nut-HF, NI | 17 | 3256-26 | 1 | Washer-Flat |
| 6 | 3234-17 | 1 | Screw-HHF | 18 | 99-5107 | 1 | Nut-Lock |
| 7 | 323-14 | 1 | Screw-HH | 19 | 114-5659-03 | 1 | Handle-Latch |
| 8 | 104-8301 | 5 | Nut-HF, NI | 20 | 119-1846 | 1 | Grip |
| 9 | 3234-42 | 2 | Screw-HHF | 21 | 3231-25 | 2 | Bolt-CARR |
| 10 | 117-5476 | 1 | Pad-Roller | 22 | 104-3577 | 2 | Washer |
| 11 | 1-807512 | 4 | Bolt-CARR | 23 | 3234-46 | 1 | Screw-HHF |
| 12 | 104-7201 | 4 | Nut-HF, NI | 24 | 52-2861 | 1 | Washer |

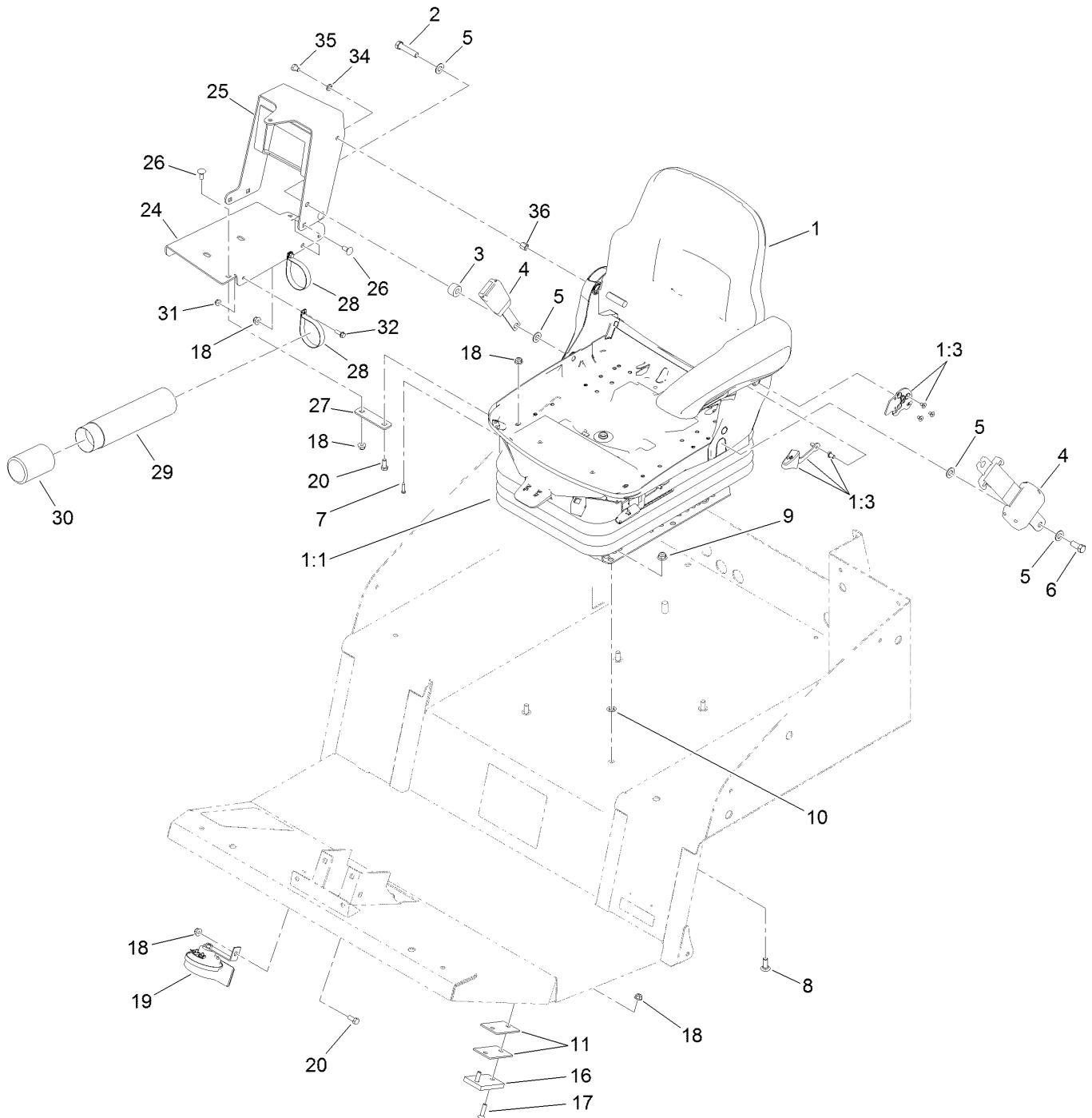
Platform Assembly



Platform Assembly (continued)

| <i>Ref.</i> | <i>Part Number</i> | <i>Qty.</i> | <i>Description</i> | <i>Ref.</i> | <i>Part Number</i> | <i>Qty.</i> | <i>Description</i> |
|-------------|--------------------|-------------|----------------------------------|-------------|--------------------|-------------|-------------------------|
| 1 | 137-5600 | 1 | Platform ASM | 5:3 | 139-0977 | 1 | Decal-Service |
| 1:2 | 132-1321 | 1 | Decal-Instructions, Operating | 6 | 3256-55 | 10 | Washer-Flat |
| 1:3 | 133-8062 | 1 | Decal-Arrestor, Spark | 7 | 117-2382 | 6 | Plug-Plastic |
| 1:4 | 114-0849 | 1 | Decal-Pedal, Traction | 8 | 3274-69 | 2 | Screw-HSBH |
| 1:5 | 140-5829 | 1 | Decal-Fuse | 9 | 110-5954 | 4 | Mount-Center, Bonded |
| 1:6 | 132-1406 | 1 | Decal-Release, Parking Brake | 10 | 115-5519 | 4 | Washer-Plain |
| 2 | 112-7316 | 1 | Cover-Storage, Center | 11 | 92-2651 | 6 | Washer |
| 3 | 114-5508 | 1 | Rod-Hinge | 12 | 702093 | 2 | Screw-HH |
| 4 | 115-5417 | 2 | Strip-Foam | 13 | 99-5107 | 4 | Nut-Lock |
| 5 | 139-0996 | 1 | Lid-Center, Storage | 14 | 126-3900 | 2 | Screw-HHF |
| 5:2 | 117-2754 | 1 | Decal-Warning | 15 | 138-6367 | 1 | Wrench-Castor Cap/Latch |
| | | | | 16 | 104-7201 | 2 | Nut-HF, NI |

Seat Mount Assembly

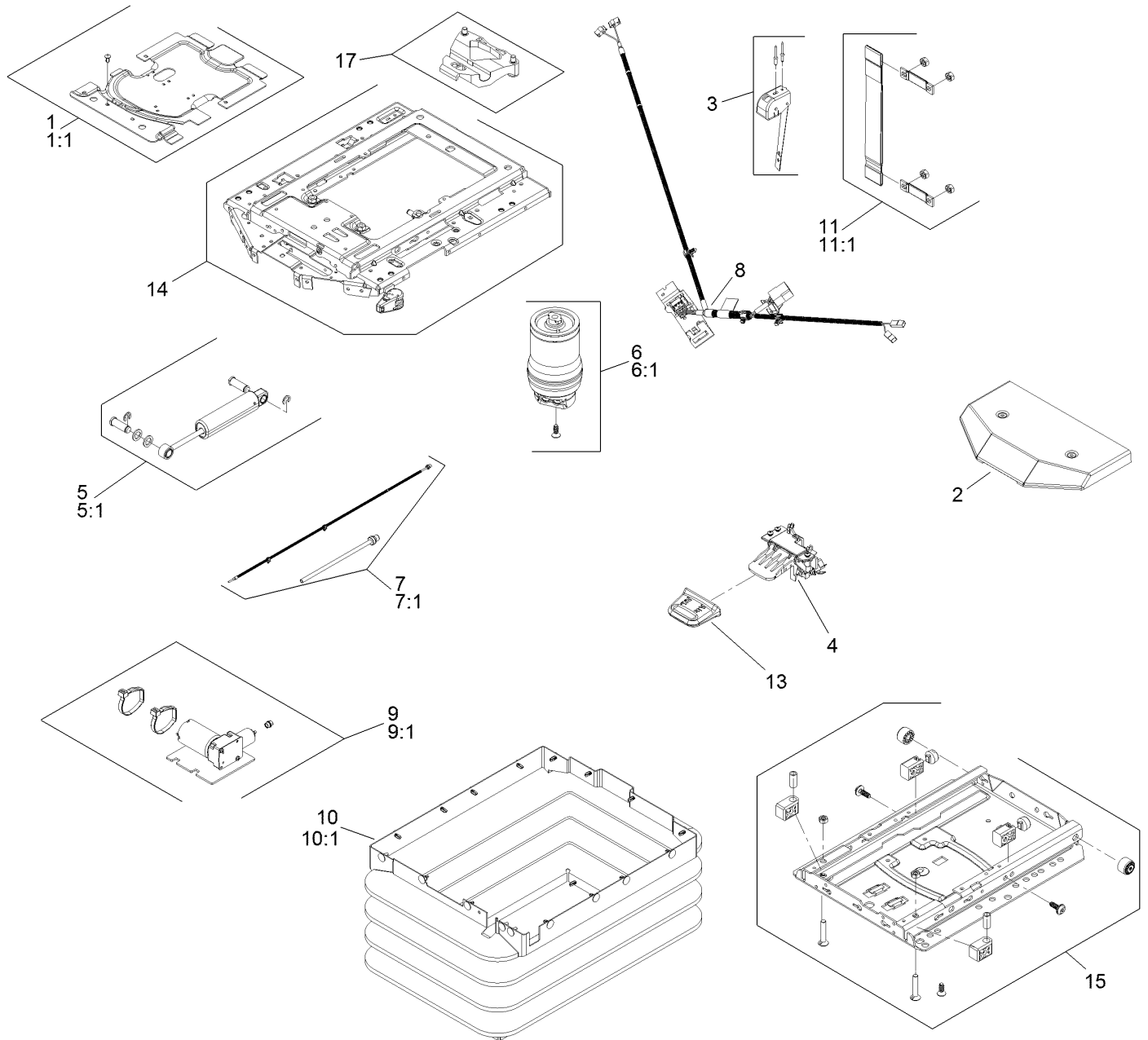


Seat Mount Assembly (continued)

| <i>Ref.</i> | <i>Part Number</i> | <i>Qty.</i> | <i>Description</i> | <i>Ref.</i> | <i>Part Number</i> | <i>Qty.</i> | <i>Description</i> |
|-------------|--------------------|-------------|--------------------------|-------------|--------------------|-------------|--------------------|
| 1 | | 1 | Seat And Suspension ASM | 18 | 104-8300 | 11 | Nut-HF, NI |
| | | | ● | 19 | 116749 | 1 | Horn |
| 1:1 | 130-2702 | 1 | Air Ride Seat Suspension | 20 | 322-3 | 2 | Screw-HH |
| 1:3 | 132-1304 | 1 | Backrest Adjustment Kit | 24 | 131-2355-03 | 1 | Support-Arm |
| 2 | 3212-8 | 1 | Screw-HH | 25 | 131-2352-03 | 1 | Channel-Support |
| 3 | 17-7190 | 1 | Spacer-Finger | 26 | 3230-1 | 5 | Bolt-CARR |
| 4 | 110-0413 | 1 | Seatbelt-Retractable | 27 | 131-2351 | 1 | Strap-Support |
| 5 | 3256-25 | 4 | Washer-Flat | 28 | 107-1865 | 2 | R-Clamp |
| 6 | 3212-4 | 1 | Screw-HH | 29 | 104-7050 | 1 | Tube-Manual |
| 7 | 119-7742 | 1 | Screw-Cushion | 30 | 104-7048 | 1 | Cap-Housing |
| 8 | 3231-22 | 4 | Screw-CARR | 31 | 104-7201 | 2 | Nut-HF, NI |
| 9 | 104-8301 | 6 | Nut-HF, NI | 32 | 32105-15 | 2 | Screw-HWH |
| 10 | 107-3154 | 4 | Nut-Push | 34 | 3253-4 | 1 | Washer-Lock |
| 11 | 114-5553 | 4 | Shim-Pad | 35 | 33114-010 | 1 | Screw-HH |
| 16 | 69-9290 | 2 | Pad-Bumper | 36 | 112-7405 | 1 | Nut-Hex, Coupling |
| 17 | 32108-103 | 4 | Screw-FH | | | | |

● Not serviced separately

Air Ride Seat Suspension Assembly No. 130-2702

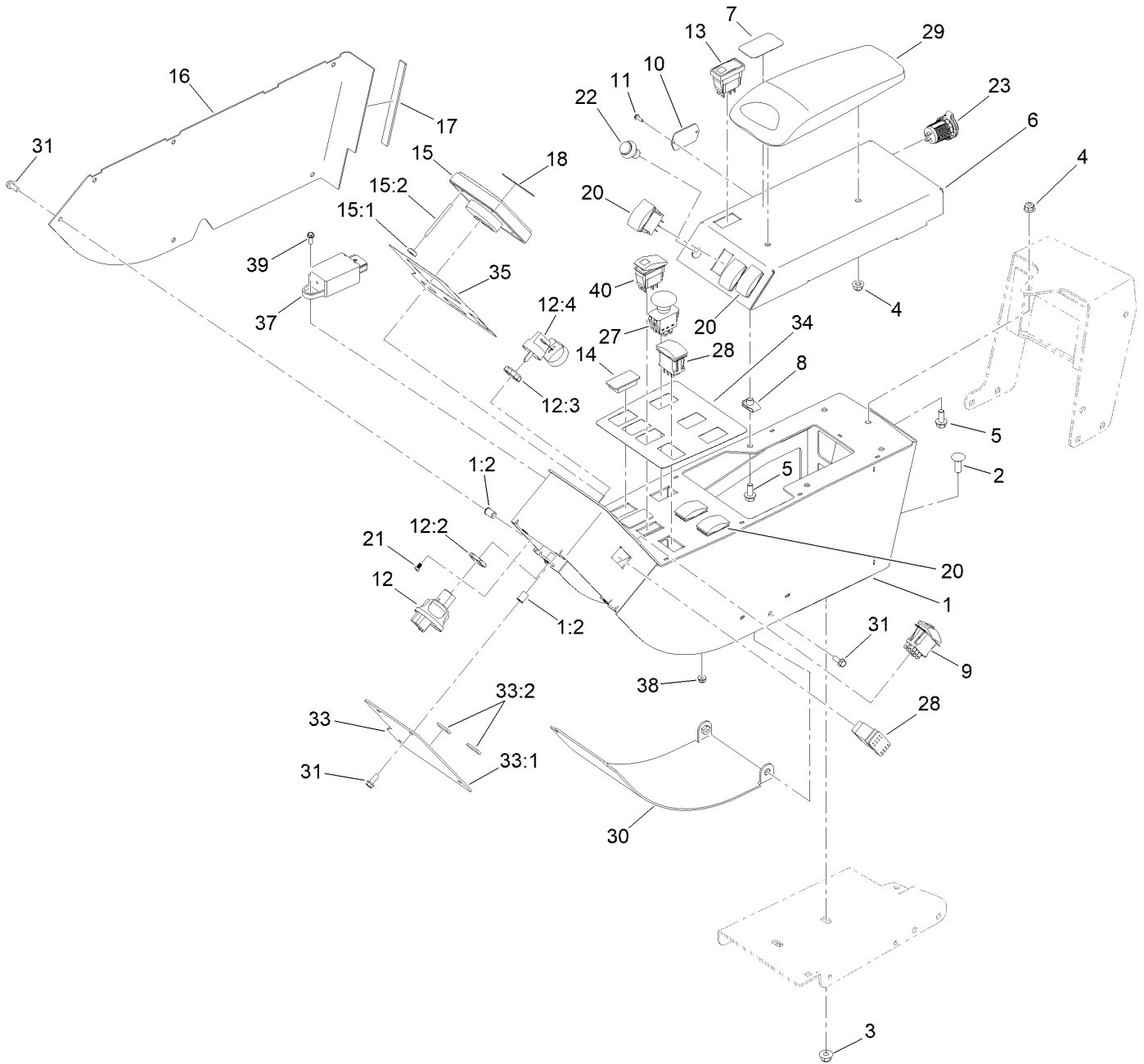


Air Ride Seat Suspension Assembly No. 130-2702 (continued)

| <i>Ref.</i> | <i>Part Number</i> | <i>Qty.</i> | <i>Description</i> | <i>Ref.</i> | <i>Part Number</i> | <i>Qty.</i> | <i>Description</i> |
|-------------|--------------------|-------------|--------------------|-------------|--------------------|-------------|-------------------------|
| 1 | 130-2709 | 1 | Cover ASM | 9 | 130-2719 | 1 | Compressor |
| 1:1 | 130-2710 | 1 | Cover Kit | 9:1 | 130-2720 | 1 | Compressor Kit |
| 2 | 108-8027 | 1 | Cover | 10 | 130-2721 | 1 | Bellows ASM |
| 3 | 130-2711 | 1 | Control-Level | 10:1 | 130-2722 | 1 | Bellows Kit |
| 4 | 108-8029 | 1 | Valve-Control, Air | 11 | 130-2723 | 1 | Tether |
| 5 | 130-2712 | 1 | Shock Absorber ASM | 11:1 | 130-2724 | 1 | Tether Kit |
| 5:1 | 130-2713 | 1 | Shock Absorber Kit | 12 | 130-2725 | 1 | Wear Parts Kit ● |
| 6 | 130-2714 | 1 | Air Spring ASM | 13 | 130-2726 | 1 | Handle |
| 6:1 | 130-2715 | 1 | Air Spring Kit | 14 | 130-2727 | 1 | Upper Suspension Kit |
| 7 | 130-2716 | 1 | Air Tube ASM | 15 | 130-2728 | 1 | Lower Suspension Kit |
| 7:1 | 130-2717 | 1 | Air Tube Kit | 16 | 130-2729 | 1 | Adjuster Mounting Kit ● |
| 8 | 130-2718 | 1 | Harness-Wire | 17 | 130-2730 | 1 | Limiters-Thrust |

● Not illustrated

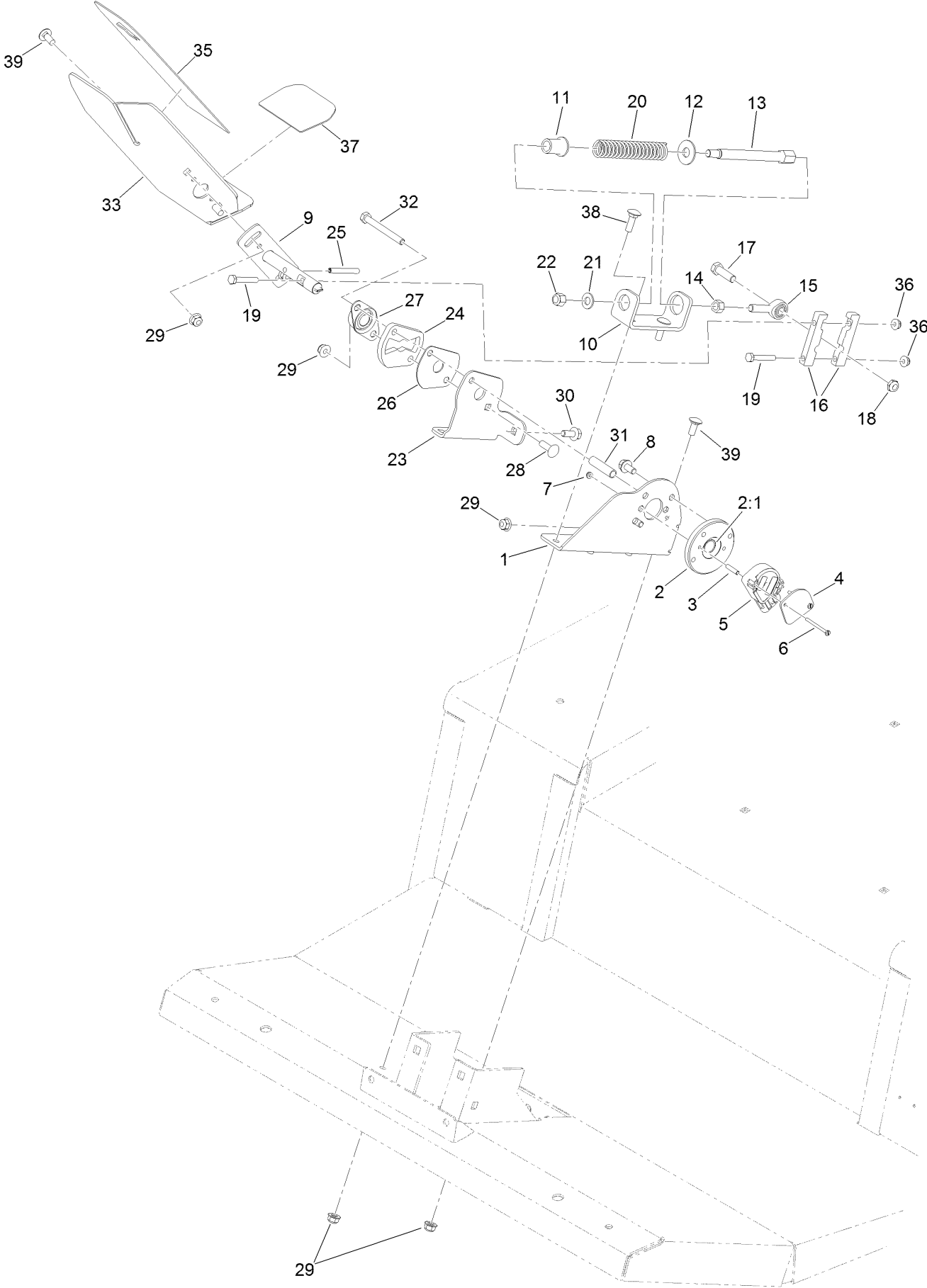
Control Console Assembly



Control Console Assembly (continued)

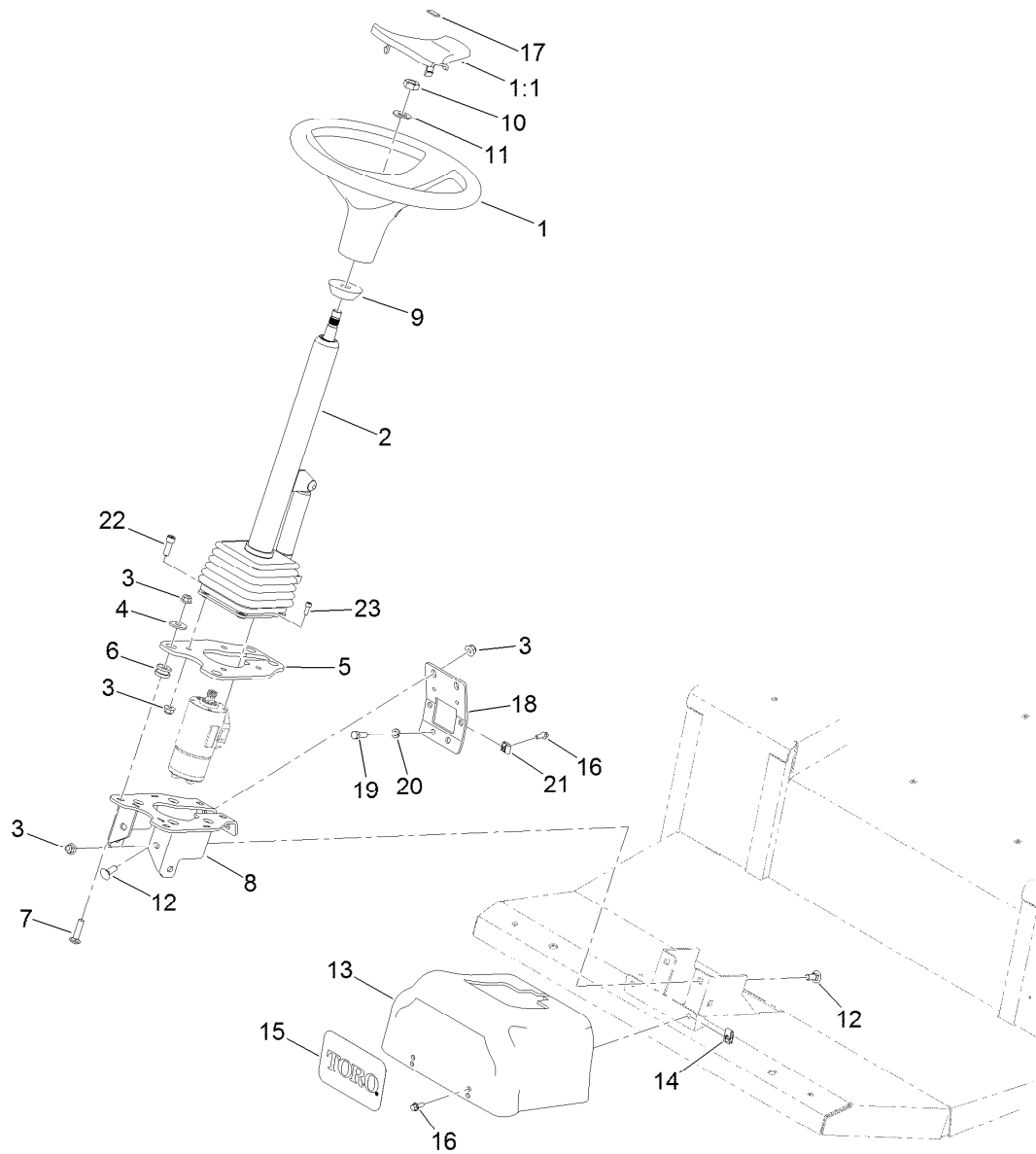
| <i>Ref.</i> | <i>Part Number</i> | <i>Qty.</i> | <i>Description</i> | <i>Ref.</i> | <i>Part Number</i> | <i>Qty.</i> | <i>Description</i> |
|-------------|--------------------|-------------|------------------------------|-------------|--------------------|-------------|---------------------------------|
| 1 | 136-0071 | 1 | Console Arm ASM | 16 | 136-0069-03 | 1 | Cover-Right |
| 1:2 | 32148-6 | 10 | Nut-Clinch | 17 | 131-2222 | 1 | Strip-Foam |
| 2 | 3231-22 | 2 | Screw-CARR | 18 | 114-5554 | 1 | Decal-Center, Info |
| 3 | 104-8301 | 2 | Nut-HF, NI | 20 | 100-1535 | 5 | Switch-Rocker, (On)-Off-(On) |
| 4 | 104-8300 | 3 | Nut-HF, NI | 21 | 132-7668 | 4 | Screw-PPH |
| 5 | 3234-5 | 5 | Screw-HHF | 22 | 125-7996 | 1 | Switch-Pb, Momentary |
| 6 | 136-1072-03 | 1 | Panel-Control Arm | 23 | 131-8388 | 1 | Socket-USB |
| 7 | 136-1003 | 1 | Decal-Console, Cruise | 27 | 93-9999 | 1 | Switch-PTO |
| 8 | 94-2413 | 4 | Nut-U | 28 | 107-8034 | 2 | Switch-Rocker, On-Off-On |
| 9 | 111-2254 | 1 | Switch-Rocker, On-None-On | 29 | 131-9637 | 1 | Armrest-Quick Find |
| 10 | 121-1630 | 1 | Plate-Cover | 30 | 131-2340-03 | 1 | Cover-Gate |
| 11 | 32144-18 | 2 | Screw-HWH | 31 | 32144-85 | 12 | Screw-HWH |
| 12 | 121-5159 | 1 | Ignition Switch ASM | 33 | 131-2338 | 1 | Top Front Cover ASM |
| 12:2 | 121-5160 | 1 | Nut-Hex | 33:1 | 131-2339-03 | 1 | Cover-Front, Top |
| 12:3 | 121-5161 | 1 | Nut-Face | 33:2 | 115-5417 | 2 | Strip-Foam |
| 12:4 | 121-5162 | 1 | Set-Key, Ignition | 34 | 136-1004 | 1 | Decal-Console, Main |
| 13 | 104-9007 | 1 | Switch-Rocker | 35 | 131-2348 | 1 | Decal-Console, Display |
| 14 | 99-7420 | 3 | Plug-Hole | 37 | 139-2080 | 1 | Flasher-Dual Rate |
| 15 | 125-5320 | 1 | Infocenter | 38 | 120-4578 | 1 | Nut-HF |
| 15:1 | 115-8884 | 4 | Nut-Thumb | 39 | 32105-23 | 1 | Screw |
| 15:2 | 115-8885 | 4 | Stud | 40 | 119-7769 | 1 | Switch-Rocker, On/None/On |

Traction Pedal Assembly



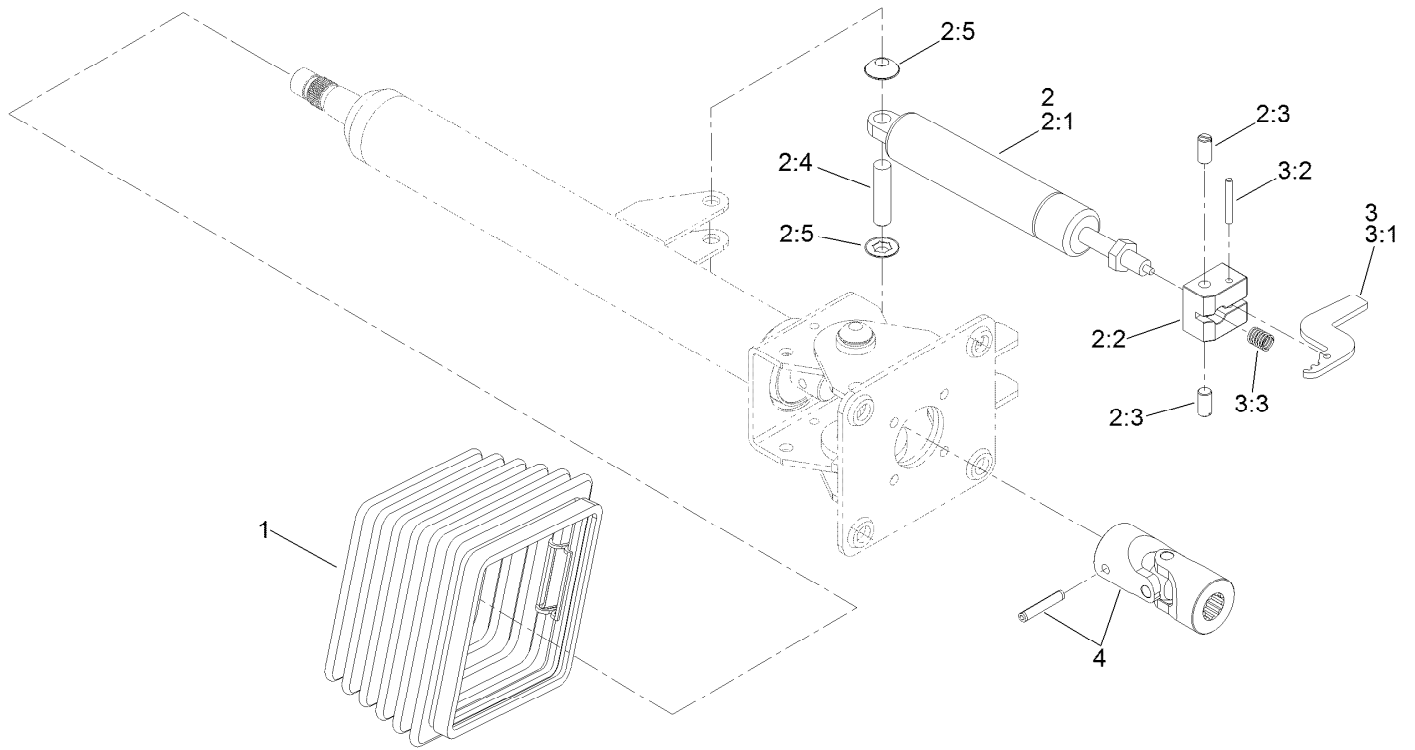
Traction Pedal Assembly (continued)

| <i>Ref.</i> | <i>Part Number</i> | <i>Qty.</i> | <i>Description</i> | <i>Ref.</i> | <i>Part Number</i> | <i>Qty.</i> | <i>Description</i> |
|-------------|--------------------|-------------|-----------------------|-------------|--------------------|-------------|-----------------------|
| 1 | 136-4384-0P | 1 | Bracket-Sender | 20 | 84-9100 | 1 | Spring |
| 2 | 140-6215 | 1 | Bushing Hub ASM | 21 | 3256-24 | 1 | Washer-Flat |
| 2:1 | 95-7497 | 1 | Bushing-Wheel | 22 | 3296-6 | 1 | Nut-Lock |
| 3 | 114-5608 | 2 | Spacer-Standoff | 23 | 131-2250-0P | 1 | Bracket-Pedal, Outer |
| 4 | 114-5595 | 1 | Plate-Capture | 24 | 117-5454 | 1 | Plate-Butterfly |
| 5 | 114-5609 | 1 | Sensor-Position | 25 | 32121-78 | 1 | Pin-Roll |
| 6 | 32105-25 | 2 | Screw-SHH | 26 | 117-5455 | 1 | Plate-Cover |
| 7 | 3296-9 | 2 | Nut-Hex | 27 | 256-236 | 1 | Bearing-Mount, Flange |
| 8 | 114-7728 | 2 | Screw-HF | 28 | 3230-22 | 1 | Screw-CARR |
| 9 | 131-2245 | 1 | Shaft-Pedal, Traction | 29 | 104-8300 | 7 | Nut-HF, NI |
| 10 | 131-2252-0P | 1 | Bracket-Spring | 30 | 3234-47 | 1 | Screw-HHF |
| 11 | 92-7610 | 1 | Retainer-Spring | 31 | 93-7960 | 1 | Spacer |
| 12 | 3256-5 | 1 | Washer-Flat | 32 | 322-14 | 1 | Screw-HH |
| 13 | 117-5446 | 1 | Shaft-Spring | 33 | 136-4368-01 | 1 | Pedal-Traction |
| 14 | 3219-3 | 1 | Nut-Hex | 35 | 93-5347 | 1 | Abrasive-Pedal |
| 15 | 2411-36 | 1 | Bearing-End, Rod | 36 | 104-7201 | 2 | Nut-HF, NI |
| 16 | 117-5459 | 2 | Block-Clamp | 37 | 93-5368 | 1 | Abrasive-Pedal |
| 17 | 323-7 | 1 | Screw-HH | 38 | 3230-2 | 2 | Bolt-CARR |
| 18 | 3296-59 | 1 | Nut-Lock, NI | 39 | 3230-23 | 5 | Bolt-CARR |
| 19 | 321-37 | 2 | Screw-HH | | | | |



Steering Column Assembly

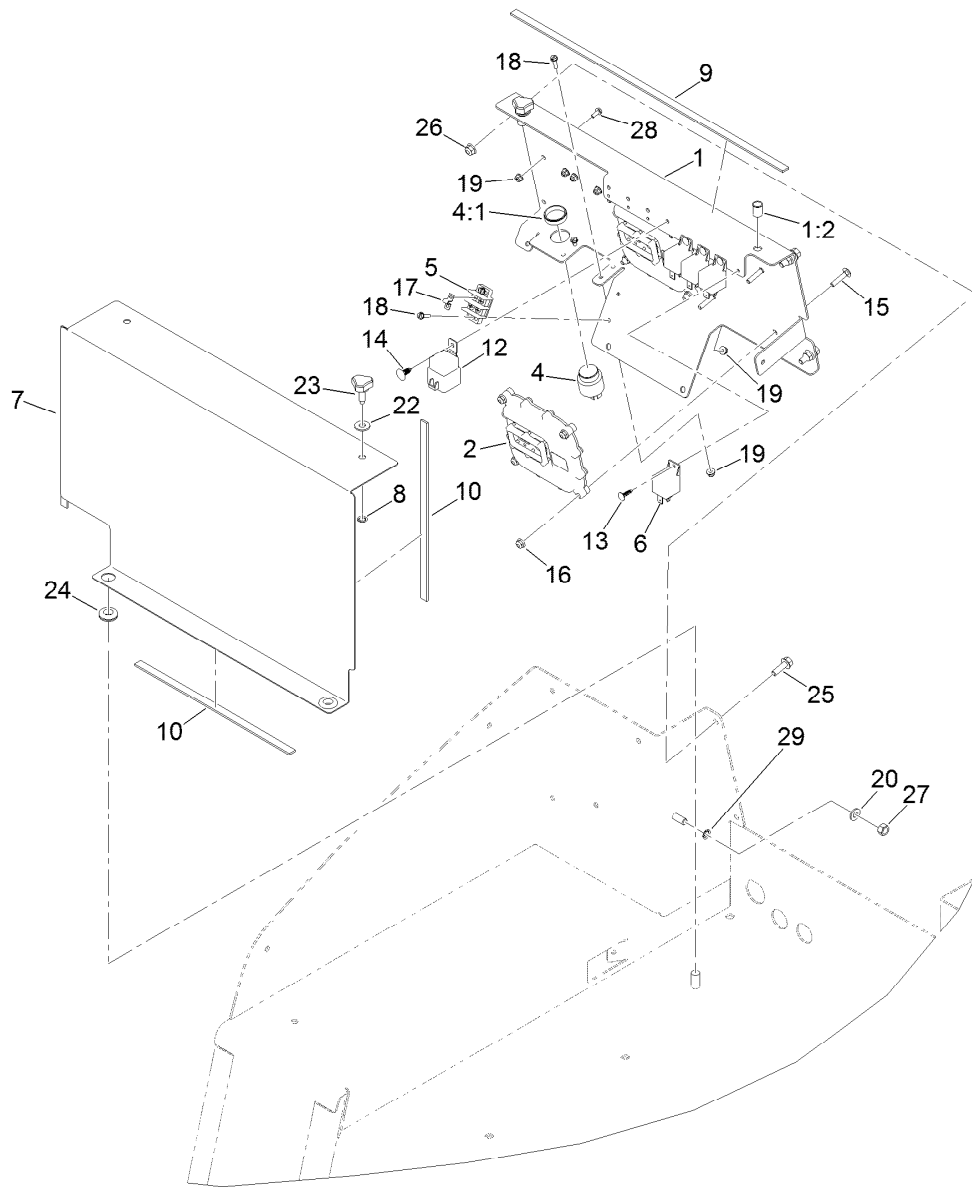
| <i>Ref.</i> | <i>Part Number</i> | <i>Qty.</i> | <i>Description</i> | <i>Ref.</i> | <i>Part Number</i> | <i>Qty.</i> | <i>Description</i> |
|-------------|--------------------|-------------|--------------------------|-------------|--------------------|-------------|--------------------|
| 1 | 98-1471 | 1 | Wheel-Steering | 12 | 3231-2 | 6 | Bolt-CARR |
| 1:1 | 98-1468 | 1 | Cover-Wheel, Steering | 13 | 137-5607 | 1 | Cover-Steering |
| 2 | 132-6230 | 1 | Steering Tilt Column ASM | 14 | 107069 | 2 | Clip |
| 3 | 104-8301 | 14 | Nut-HF, NI | 15 | 105-1217 | 1 | Decal |
| 4 | 63-8410 | 4 | Washer | 16 | 3234-4 | 4 | Screw-HHF |
| 5 | 137-5588-0P | 1 | Plate-Mount, Column | 17 | 98-1459 | 1 | Decal |
| 6 | 63-9750 | 4 | Mount | 18 | 137-5606-0P | 1 | Support-Column |
| 7 | 3231-26 | 4 | Screw-CARR | 19 | 323-6 | 2 | Screw-HH |
| 8 | 137-5590-0P | 1 | Mount | 20 | 3253-21 | 2 | Washer-Lock |
| 9 | 93-5429 | 1 | Collar-Foam | 21 | 609900 | 2 | Nut-Speed |
| 10 | 3296-33 | 1 | Nut-Lock, NI | 22 | 3274-7 | 4 | Screw-HSH |
| 11 | 3256-27 | 1 | Washer-Flat | 23 | 105-2409 | 4 | Screw-HSH |



Steering Column Assembly No. 132-6230

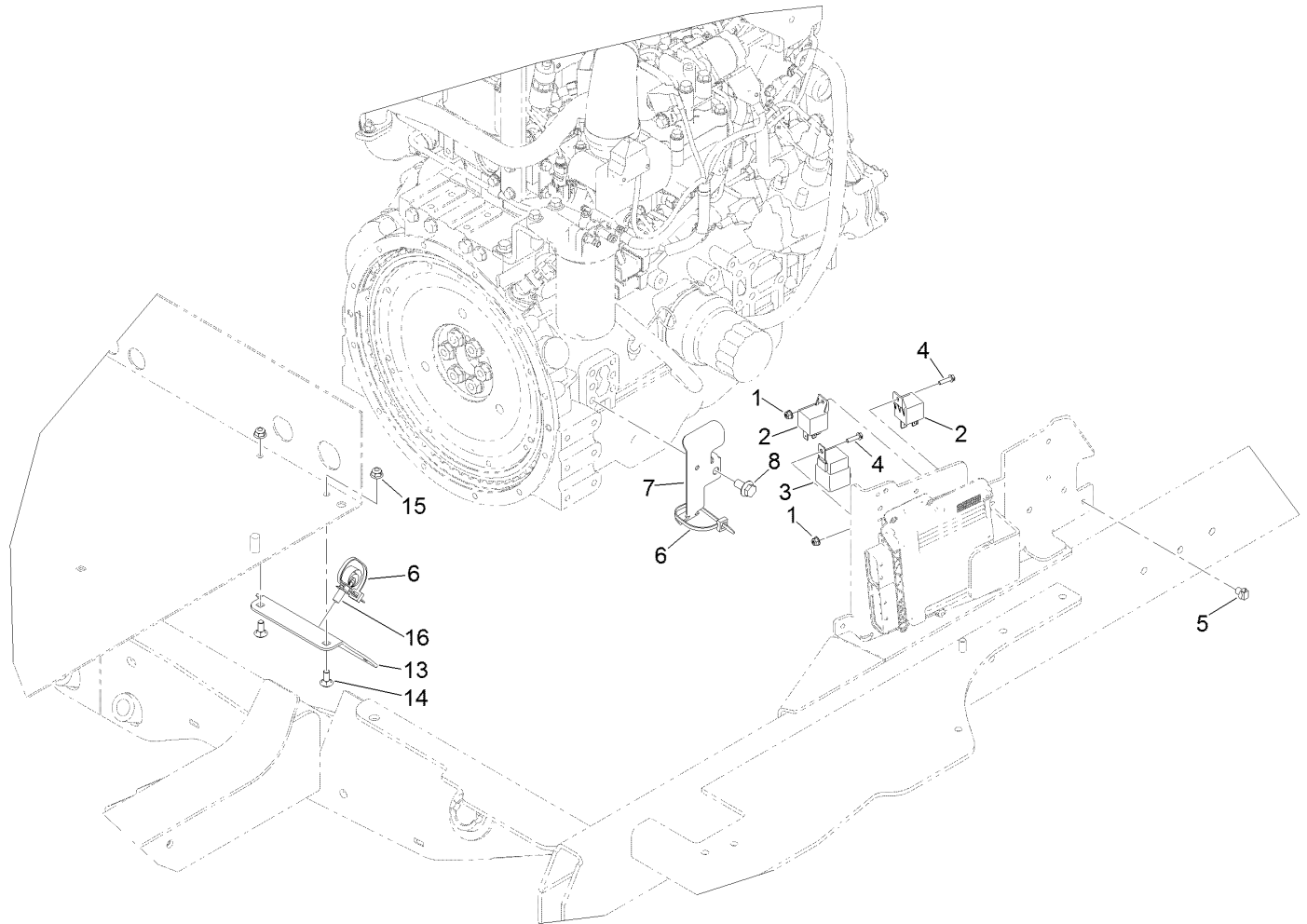
| Ref. | Part Number | Qty. | Description |
|------|-------------|------|----------------------|
| 1 | 110-6462 | 1 | Bellows-Rubber |
| 2 | 110-6463 | 1 | Cylinder Service Kit |
| 2:1 | | 1 | Cylinder-Gas ● |
| 2:2 | | 1 | Block-Pedal ● |
| 2:3 | | 2 | Bolt ● |
| 2:4 | | 1 | Pin ● |
| 2:5 | | 2 | Washer-Lock ● |
| 3 | 136-4385 | 1 | Pedal Service Kit |
| 3:1 | | 1 | Pedal ● |
| 3:2 | | 1 | Pin ● |
| 3:3 | | 1 | Spring ● |
| 4 | 120-6256 | 1 | Universal Joint Kit |

● Not serviced separately



Front Electrical Component Assembly

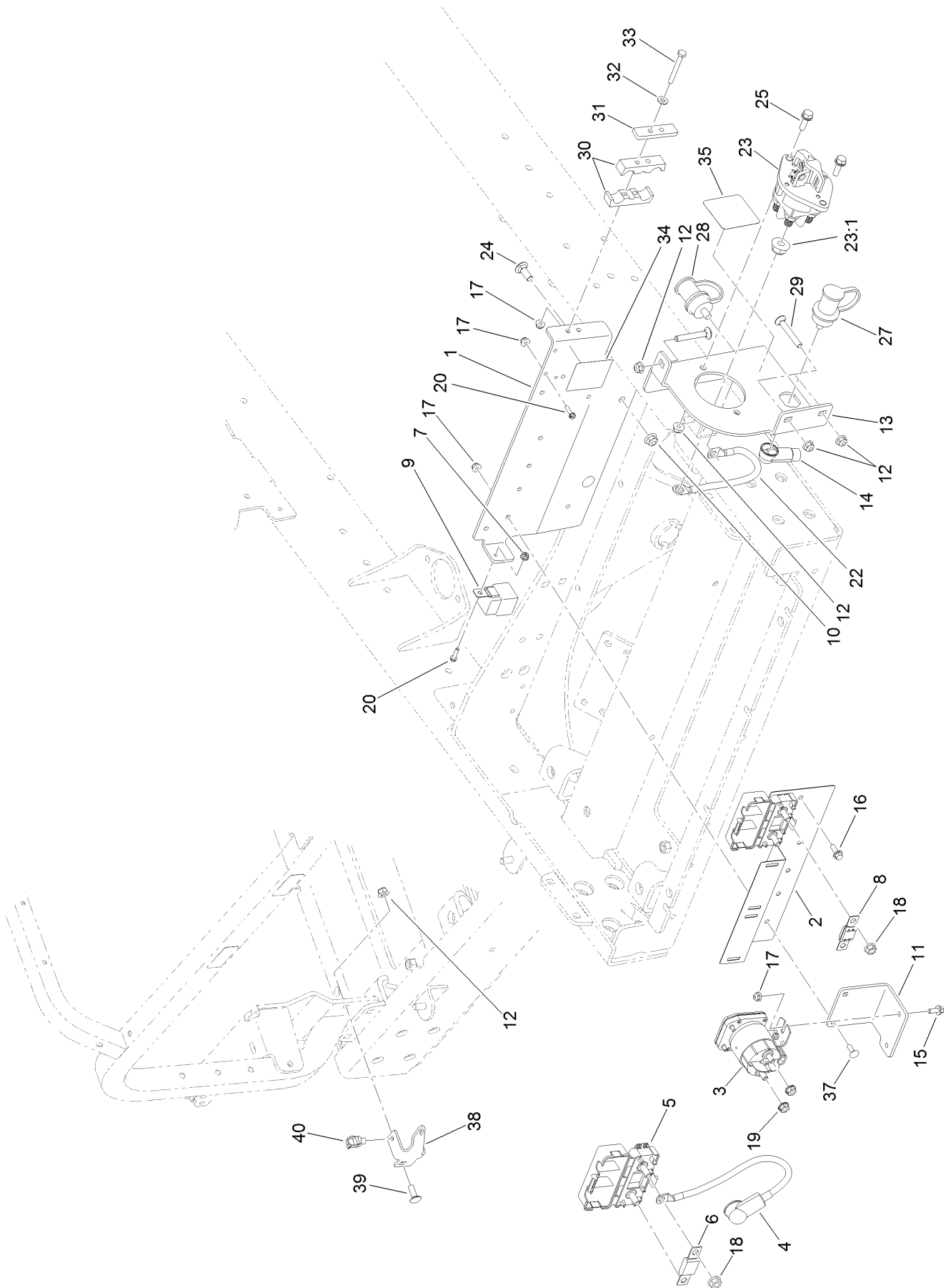
| <i>Ref.</i> | <i>Part Number</i> | <i>Qty.</i> | <i>Description</i> | <i>Ref.</i> | <i>Part Number</i> | <i>Qty.</i> | <i>Description</i> |
|-------------|--------------------|-------------|-------------------------|-------------|--------------------|-------------|-----------------------|
| 1 | 132-1332 | 1 | Electrical Plate ASM | 15 | 3229-3 | 8 | Screw-CARR |
| 1:2 | 32148-9 | 2 | Nut-Clinch | 16 | 104-7201 | 8 | Nut-HF, NI |
| 2 | 114-3321 | 2 | Controller-Tec | 17 | 42863 | 1 | Strip-Jumper |
| 4 | 80-9330 | 1 | Audio Alarm ASM | 18 | 32105-13 | 6 | Screw-HWH |
| 4:1 | 104-5107 | 1 | Nut-Plastic, Knurled | 19 | 120-4578 | 10 | Nut-HF |
| 5 | 42862 | 1 | Block-Terminal, Ground | 20 | 3256-38 | 1 | Washer-Flat |
| 6 | 99-7435 | 4 | Relay | 22 | 3256-3 | 2 | Washer-Flat |
| 7 | 130-9034-01 | 1 | Plate-Cover, Electrical | 23 | 95-9648 | 2 | Knob |
| 8 | 32151-72 | 2 | Ring-Retaining | 24 | 99-3481 | 2 | Grommet |
| 9 | 131-2221 | 1 | Strip-Foam | 25 | 3234-29 | 4 | Screw-HHF |
| 10 | 130-9174 | 3 | Foam-Cooler, Short | 26 | 104-8300 | 4 | Nut-HF, NI |
| 12 | 99-7430 | 1 | Relay-Mini | 27 | 32146-2 | 1 | Nut-Hex |
| 13 | 125-8067 | 4 | Plug-Plastic | 28 | 3290-321 | 4 | Screw-HWH |
| 14 | 104-0395 | 1 | Plug-Plastic | 29 | 3254-6 | 1 | Washer-Lock, Internal |



Mid Electrical Component Assembly

| <i>Ref.</i> | <i>Part Number</i> | <i>Qty.</i> | <i>Description</i> |
|-------------|--------------------|-------------|------------------------------|
| 1 | 120-4578 | 2 | Nut-HF |
| 2 | 99-7435 | 2 | Relay |
| 3 | 99-7430 | 1 | Relay-Mini |
| 4 | 32105-13 | 2 | Screw-HWH |
| 5 | 32180-030 | 1 | Clip-Tie |
| 6 | 3290-378 | 2 | Tie-Cable |
| 7 | 132-9627 | 1 | Bracket-Harness |
| 8 | 33105-020 | 1 | Screw-HHF |
| 13 | 136-0074-01 | 1 | Bracket-Bulkhead, Electrical |
| 14 | 3230-1 | 2 | Bolt-CARR |
| 15 | 104-8300 | 2 | Nut-HF, NI |
| 16 | 32180-031 | 1 | Clip-Tree (W/Tie) |

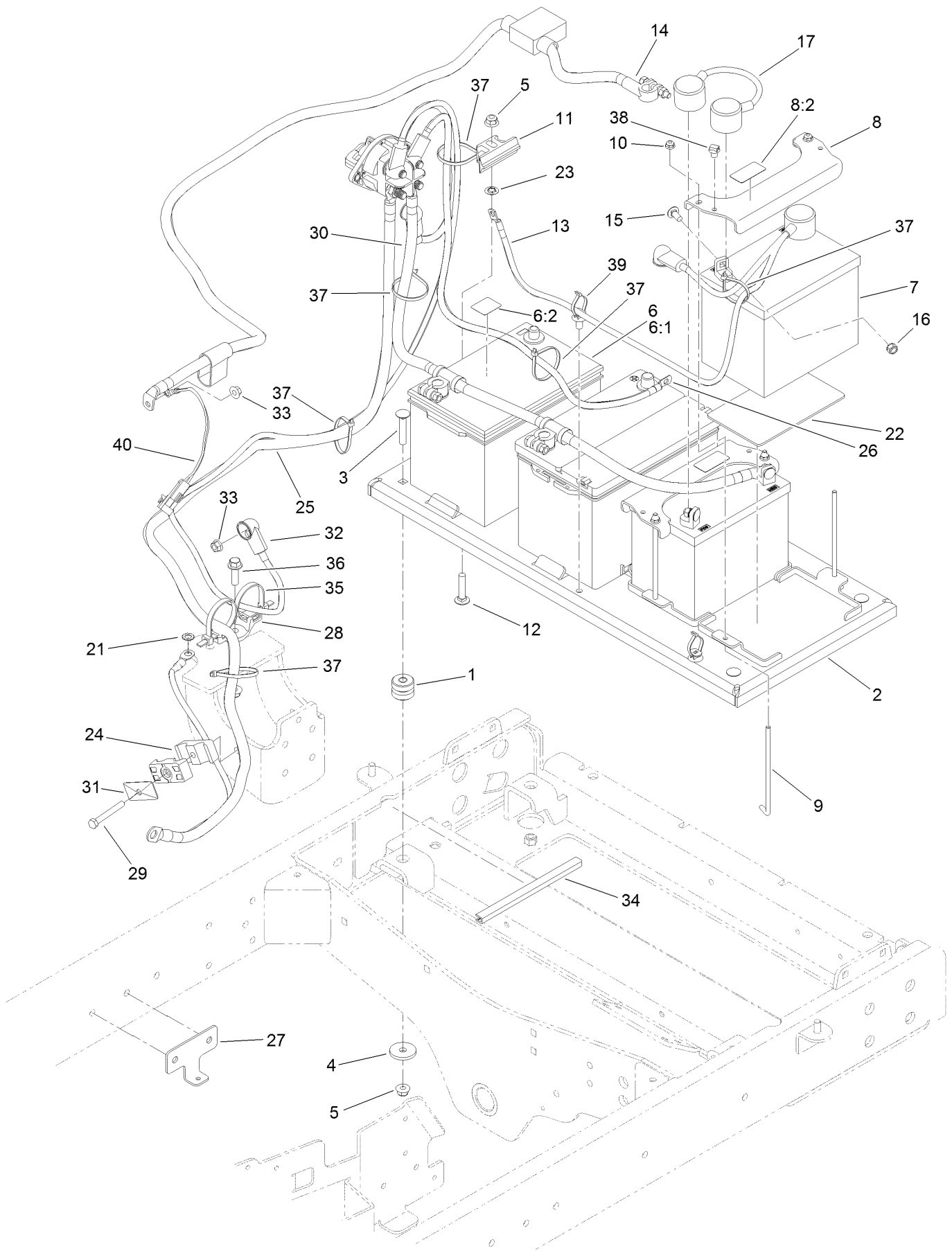
Rear Electrical Component Assembly



Rear Electrical Component Assembly (continued)

| <i>Ref.</i> | <i>Part Number</i> | <i>Qty.</i> | <i>Description</i> | <i>Ref.</i> | <i>Part Number</i> | <i>Qty.</i> | <i>Description</i> |
|-------------|--------------------|-------------|-------------------------|-------------|--------------------|-------------|-----------------------|
| 1 | 122-0518-0P | 1 | Bracket-Electrical | 20 | 32105-13 | 1 | Screw-HWH |
| 2 | 122-0624-0P | 1 | Bracket-Fuse | 22 | 122-0701 | 1 | Ground Jumper |
| 3 | 139-0997 | 1 | Contactora-12V | 23 | 122-0603 | 1 | Switch-Disconnect |
| 4 | 122-1546 | 1 | Cable-Battery, Positive | 23:1 | 33006-00 | 1 | Nut-HF |
| 5 | 114-3318 | 2 | Holder-Fuse, Mega | 24 | 3231-2 | 2 | Bolt-CARR |
| 6 | AU126232 | 1 | Fuse-100A | 25 | 3234-29 | 2 | Screw-HHF |
| 7 | 120-4578 | 1 | Nut-HF | 27 | 132-1364 | 1 | Stud-Jumper, Positive |
| 8 | 122-0628 | 1 | Fuse-Mega | 28 | 132-1365 | 1 | Stud-Jumper, Negative |
| 9 | 99-7430 | 1 | Relay-Mini | 29 | 3230-7 | 3 | Bolt-CARR |
| 10 | 104-8301 | 2 | Nut-HF, NI | 30 | 99-3641 | 2 | Clamp-Tube |
| 11 | 139-0995-0P | 1 | Mount-Contactora | 31 | 114-0989 | 1 | Plate-Cover |
| 12 | 104-8300 | 7 | Nut-HF, NI | 32 | 3256-22 | 2 | Washer-Flat |
| 13 | 139-1016-0P | 1 | Mount-Disconnect | 33 | 321-18 | 2 | Screw-HH |
| 14 | 32180-009 | 1 | Insulator-Lug, Red | 34 | 139-1031 | 1 | Decal-Fuse |
| 15 | 99-6810 | 2 | Screw-HHF | 35 | 132-1313 | 1 | Decal-Disconnect |
| 16 | 3234-4 | 2 | Screw-HHF | 37 | 3229-1 | 2 | Screw-CARR |
| 17 | 104-7201 | 8 | Nut-HF, NI | 38 | 139-1025 | 1 | Retainer-Harness |
| 18 | 127-2371 | 4 | Nut-HF | 39 | 3230-10 | 1 | Bolt-CARR |
| 19 | 107-0380 | 2 | Nut-HHF | 40 | 32180-030 | 1 | Clip-Tie |

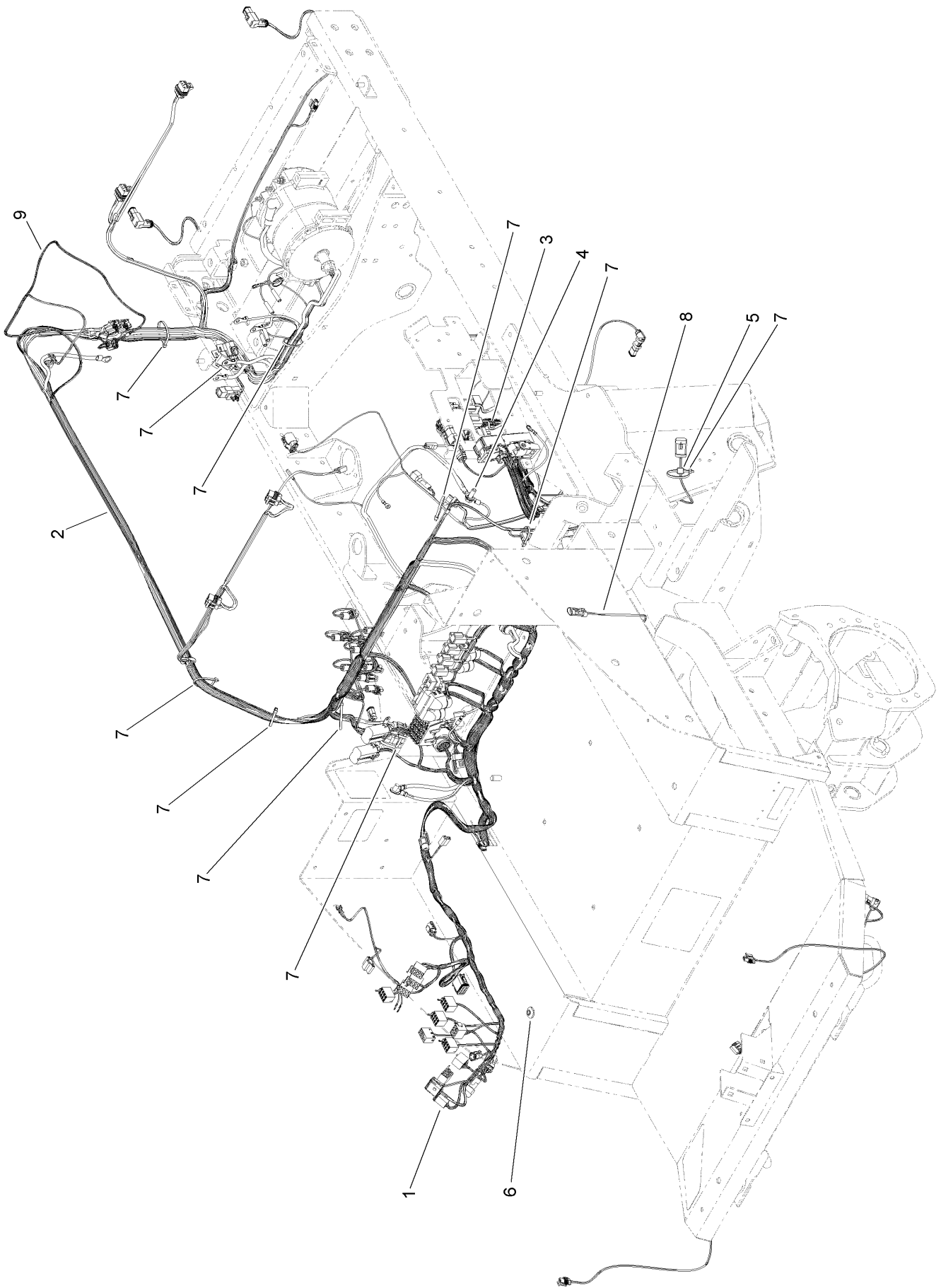
Battery Cable Routing Assembly



Battery Cable Routing Assembly (continued)

| <i>Ref.</i> | <i>Part Number</i> | <i>Qty.</i> | <i>Description</i> | <i>Ref.</i> | <i>Part Number</i> | <i>Qty.</i> | <i>Description</i> |
|-------------|--------------------|-------------|-----------------------------|-------------|--------------------|-------------|----------------------------|
| 1 | 130-9077 | 4 | Mount-ISO | 21 | 3255-9 | 1 | Washer-Lock |
| 2 | 130-9084-0P | 1 | Tray-Battery | 22 | 62-4300 | 2 | Pad-Skid, Anti |
| 3 | 3231-6 | 4 | Screw-CARR | 23 | 107-3154 | 2 | Nut-Push |
| 4 | 114-2120 | 4 | Washer | 24 | 94-8105 | 2 | Clamp-Tube |
| 5 | 104-8301 | 7 | Nut-HF, NI | 25 | 122-0404 | 1 | Cable-Battery, Negative |
| 6 | 139-1005 | 1 | Battery Kit | 26 | 122-0329 | 1 | Cable-Battery |
| 6:1 | 127-7507 | 1 | Battery | 27 | 122-0604 | 1 | Bracket-Battery Cable |
| 6:2 | 139-1006 | 1 | Decal | 28 | 32180-187 | 1 | Clip-Double Tie Mount |
| 7 | 104-8162 | 1 | Battery | 29 | 322-12 | 1 | Screw-HH |
| 8 | 132-1388 | 2 | Bracket-Battery | 30 | 122-0617 | 1 | Cable-Battery, Negative |
| 8:2 | 132-1318 | 1 | Decal-24 Volt | 31 | 69-9761 | 1 | Plate-Cover |
| 9 | 104-8567 | 4 | Holdown-Battery | 32 | 122-0331 | 1 | Cable-Battery |
| 10 | 104-7201 | 4 | Nut-HF, NI | 33 | 33004-00 | 2 | Nut-HF |
| 11 | 138-6335 | 2 | Retainer-Battery | 34 | 133-8571 | 1 | Trim-Seal |
| 12 | 3231-5 | 2 | Screw-CARR | 35 | 3334-945 | 2 | Tie-Cable |
| 13 | 122-0401 | 1 | Cable-Battery, Positive | 36 | 119-4061 | 1 | Screw-HHF |
| 14 | 122-1146 | 1 | Cable-Battery, Positive ASM | 37 | 3290-378 | 6 | Tie-Cable |
| 15 | 3230-23 | 4 | Bolt-CARR | 38 | 32180-030 | 1 | Clip-Tie |
| 16 | 32149-1 | 4 | Nut-Keps | 39 | 32180-031 | 2 | Clip-Tree (W/Tie) |
| 17 | 122-0402 | 1 | Cable-Battery, Jumper (24V) | 40 | 108-9470 | 1 | Harness-Wire, Fusible Link |

Wire Harness Assembly



Wire Harness Assembly (continued)

| <i>Ref.</i> | <i>Part Number</i> | <i>Qty.</i> | <i>Description</i> | <i>Ref.</i> | <i>Part Number</i> | <i>Qty.</i> | <i>Description</i> |
|-------------|--------------------|-------------|------------------------|-------------|--------------------|-------------|------------------------------------|
| 1 | 122-1964 | 1 | Harness-Wire, Platform | 6 | 32180-149 | 1 | Tie-Button Head |
| 2 | 122-1963 | 1 | Harness-Wire, Rear | 7 | 3290-378 | 12 | Tie-Cable |
| 3 | 122-1556 | 1 | Harness-Wire, Engine | 8 | 122-1561 | 1 | Harness-Wire, Fuel Level Jumper |
| 4 | 33105-025 | 1 | Screw-HHF | 9 | 122-1961 | 1 | Harness-Wire, Dpf |
| 5 | 32180-030 | 2 | Clip-Tie | | | | |

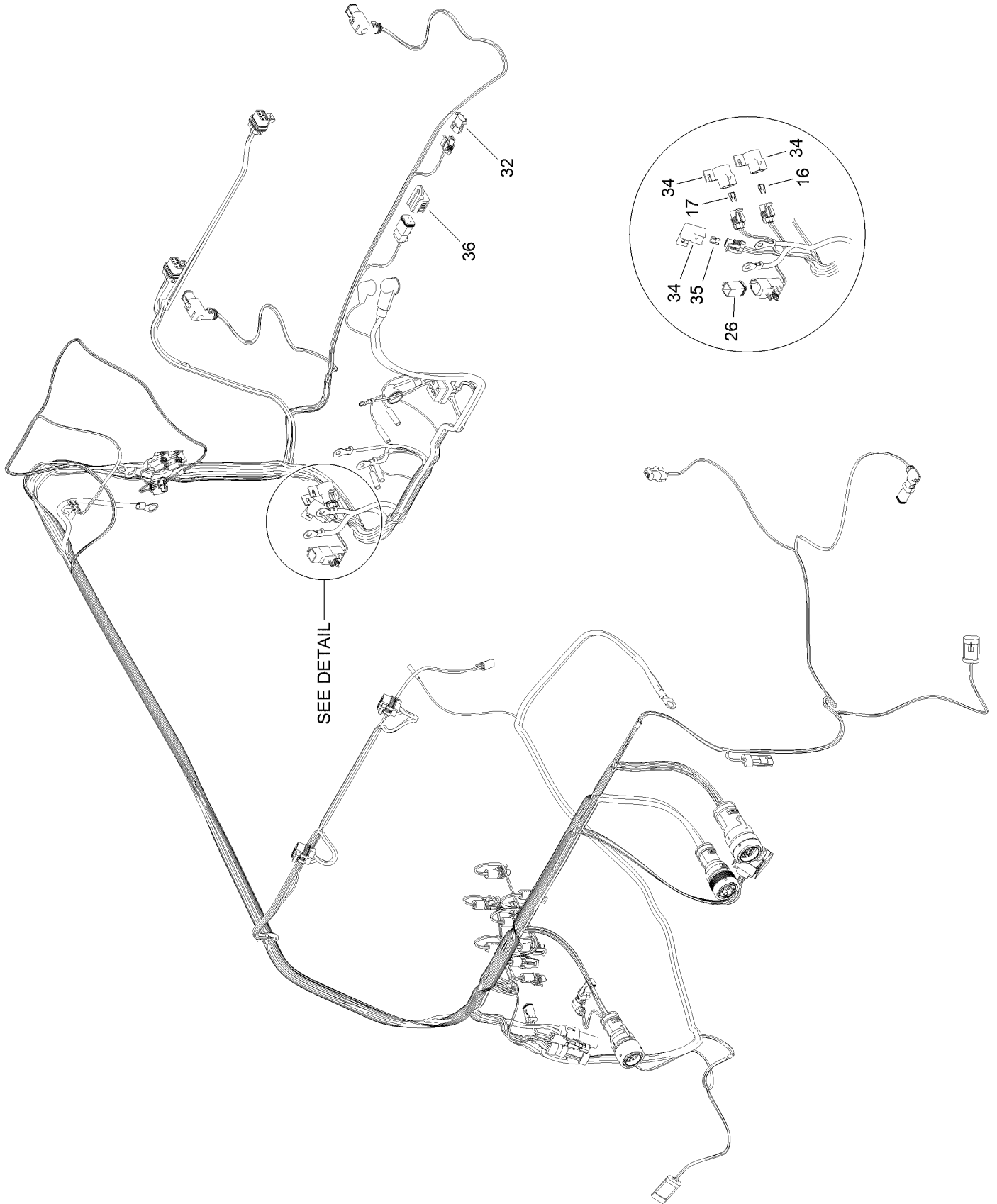
Platform Wire Harness Assembly No. 122-1964



Platform Wire Harness Assembly No. 122-1964 (continued)

| <i>Ref.</i> | <i>Part Number</i> | <i>Qty.</i> | <i>Description</i> | <i>Ref.</i> | <i>Part Number</i> | <i>Qty.</i> | <i>Description</i> |
|-------------|--------------------|-------------|--------------------------|-------------|--------------------|-------------|-------------------------|
| 14 | 32180-167 | 5 | Diode-Mini Fuse, 6A | 27 | 121-8866 | 6 | Fuse-Mini Blade, 10 Amp |
| 17 | 32180-043 | 1 | Resistor-120 Ohm | 28 | 121-8867 | 1 | Fuse-Mini Blade, 15 Amp |
| 18 | 32180-089 | 1 | Cap-Plug, 3 Way | 29 | 121-8870 | 1 | Fuse-Mini Blade, 30 Amp |
| 19 | 32180-156 | 1 | Cap-Plug, 6 Way | 30 | 104-4022 | 1 | Resistor-75 Ohm |
| 20 | 32180-091 | 1 | Cap-Dust, 2 Way | 32 | 32180-174 | 2 | Washer-Lock |
| 21 | 32180-135 | 1 | Nut-Connector | 33 | 32180-175 | 2 | Nut-Connector |
| 22 | 32180-143 | 1 | Washer-Lock | 35 | 32180-190 | 1 | Resistor-2K Ohm |
| 25 | 121-8861 | 4 | Fuse-Mini Blade, 2 Amp | 36 | 32180-191 | 2 | Cover |
| 26 | 121-8865 | 6 | Fuse-Mini Blade, 7.5 Amp | | | | |

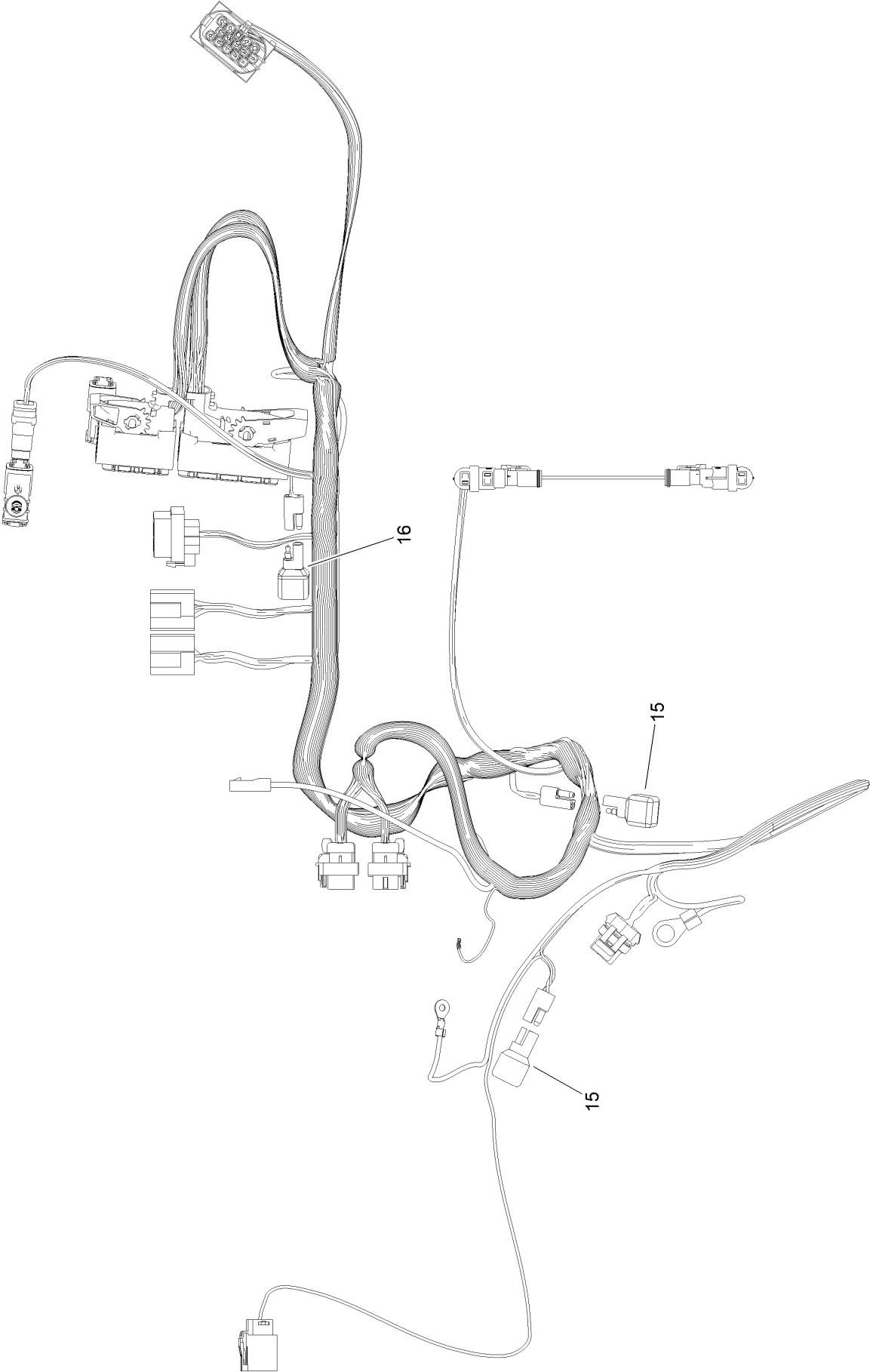
Rear Wire Harness Assembly No. 122-1963



Rear Wire Harness Assembly No. 122-1963 (continued)

| <i>Ref.</i> | <i>Part Number</i> | <i>Qty.</i> | <i>Description</i> | <i>Ref.</i> | <i>Part Number</i> | <i>Qty.</i> | <i>Description</i> |
|-------------|--------------------|-------------|-------------------------|-------------|--------------------|-------------|-------------------------|
| 16 | 121-8864 | 1 | Fuse-Mini Blade, 5 Amp | 34 | 32180-101 | 3 | Cover-Fuse, Single |
| 17 | 121-8869 | 1 | Fuse-Mini Blade, 25 Amp | 35 | 121-8866 | 1 | Fuse-Mini Blade, 10 Amp |
| 26 | 122-0392 | 1 | Divider-Voltage, 24V | 36 | 32180-091 | 1 | Cap-Dust, 2 Way |
| 32 | 32180-056 | 1 | Cap | | | | |

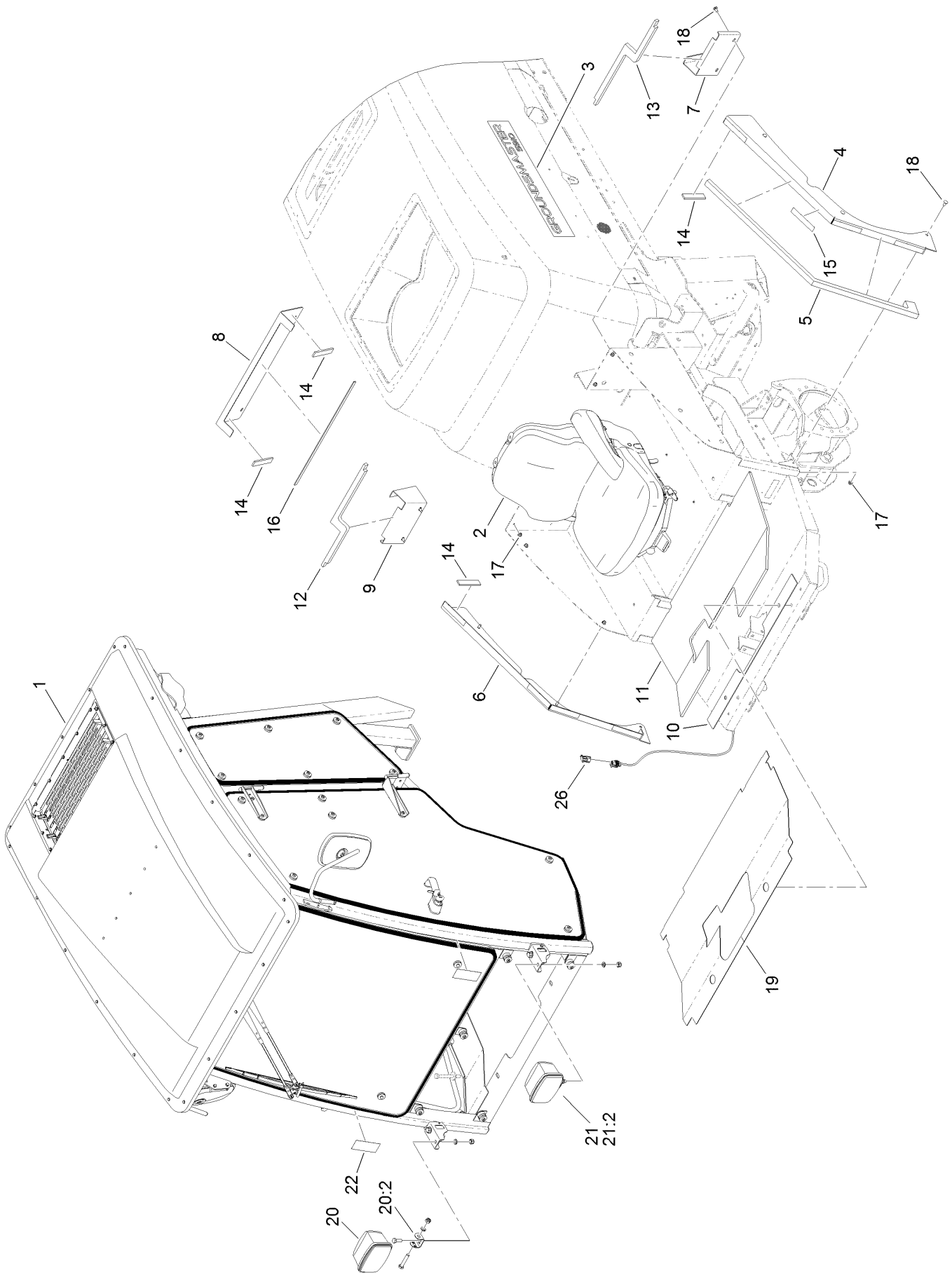
Engine Wire Harness Assembly No. 122-1556



Engine Wire Harness Assembly No. 122-1556 (continued)

| <i>Ref.</i> | <i>Part Number</i> | <i>Qty.</i> | <i>Description</i> |
|-------------|--------------------|-------------|---------------------|
| 15 | 100-4918 | 2 | Diode |
| 16 | 121-8891 | 1 | Resistor (1.6K Ohm) |

Cab Mounting Assembly

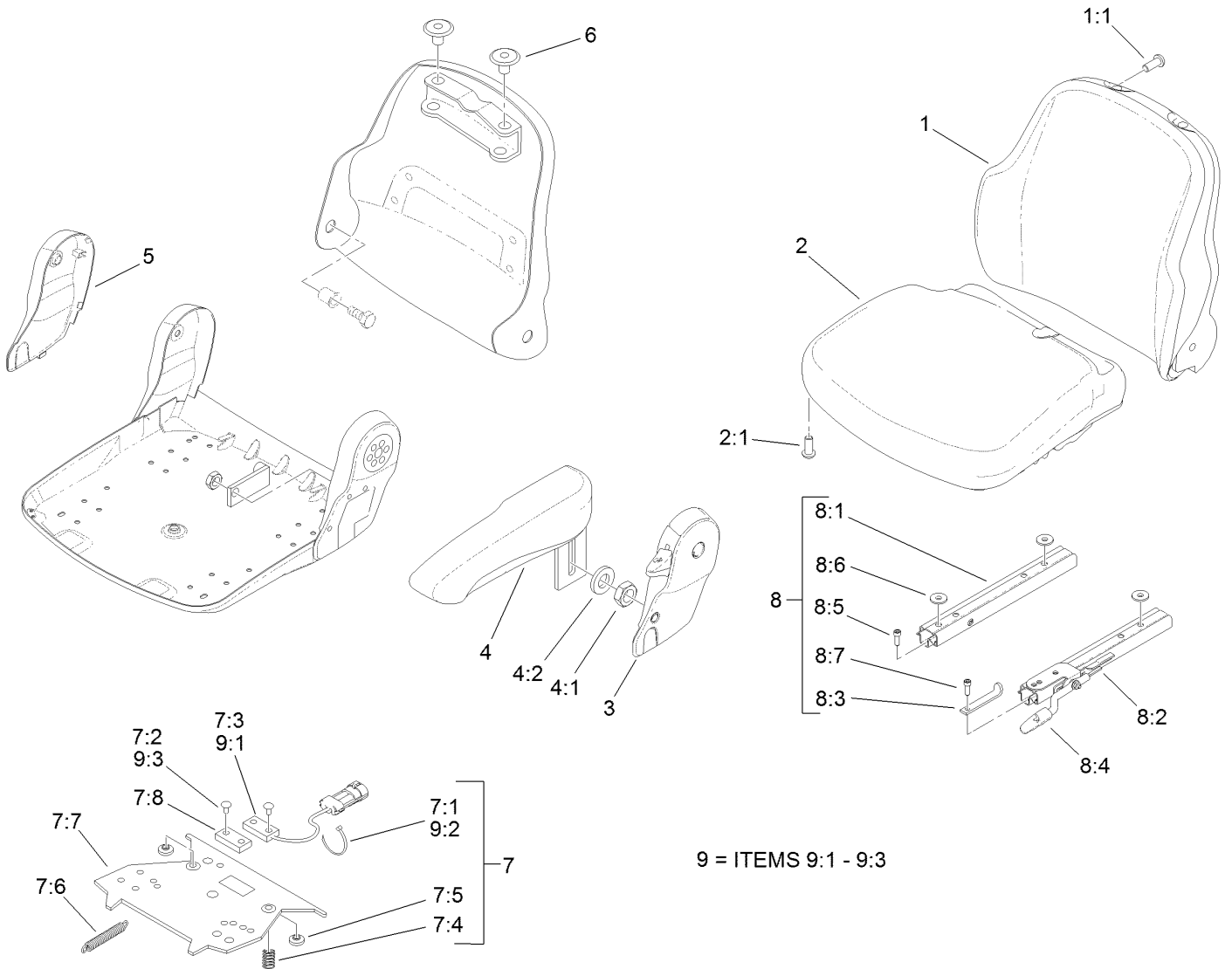


Cab Mounting Assembly (continued)

| <i>Ref.</i> | <i>Part Number</i> | <i>Qty.</i> | <i>Description</i> | <i>Ref.</i> | <i>Part Number</i> | <i>Qty.</i> | <i>Description</i> |
|-------------|--------------------|-------------|-----------------------|-------------|--------------------|-------------|--------------------------|
| 1 | | 1 | Cab ASM ● | 14 | 115-5465 | 4 | Seal-Trim |
| 2 | 117-9429 | 1 | Matrix Cloth Seat ASM | 15 | 130-6112 | 8 | Tape-Double Stick |
| 3 | 115-5448 | 2 | Decal-Hood | 16 | 130-5724 | 1 | Seal-Trim |
| 4 | 132-3297-03 | 1 | Panel-Transition, LH | 17 | 104-8300 | 10 | Nut-HF, NI |
| 5 | 132-3293 | 2 | Foam-Seal, Side Panel | 18 | 3230-23 | 10 | Bolt-CARR |
| 6 | 132-3296-03 | 1 | Panel-Transition, RH | 19 | 130-5984 | 1 | Tread-Floor |
| 7 | 132-3299-03 | 1 | Panel-Rear, LH | 20 | 140-6772 | 1 | RH Light ASM |
| 8 | 132-3294-03 | 1 | Panel-Rear, Center | 20:2 | 140-6698 | 1 | Light Mount Kit |
| 9 | 132-3298-03 | 1 | Panel-Rear, RH | 21 | 140-6773 | 1 | LH Light ASM |
| 10 | 130-5605 | 1 | Gasket-Front | 21:2 | 140-6698 | 1 | Light Mount Kit |
| 11 | 130-5983 | 1 | Foam-Floor | 22 | 130-6070 | 2 | Tape-Reflective (Yellow) |
| 12 | 130-0534 | 1 | Foam-Seal, Rear RH | 26 | 32180-056 | 2 | Cap |
| 13 | 130-0535 | 1 | Foam-Seal, Rear LH | | | | |

● Not serviced separately

Cloth Premium Seat Assembly No. 117-9429

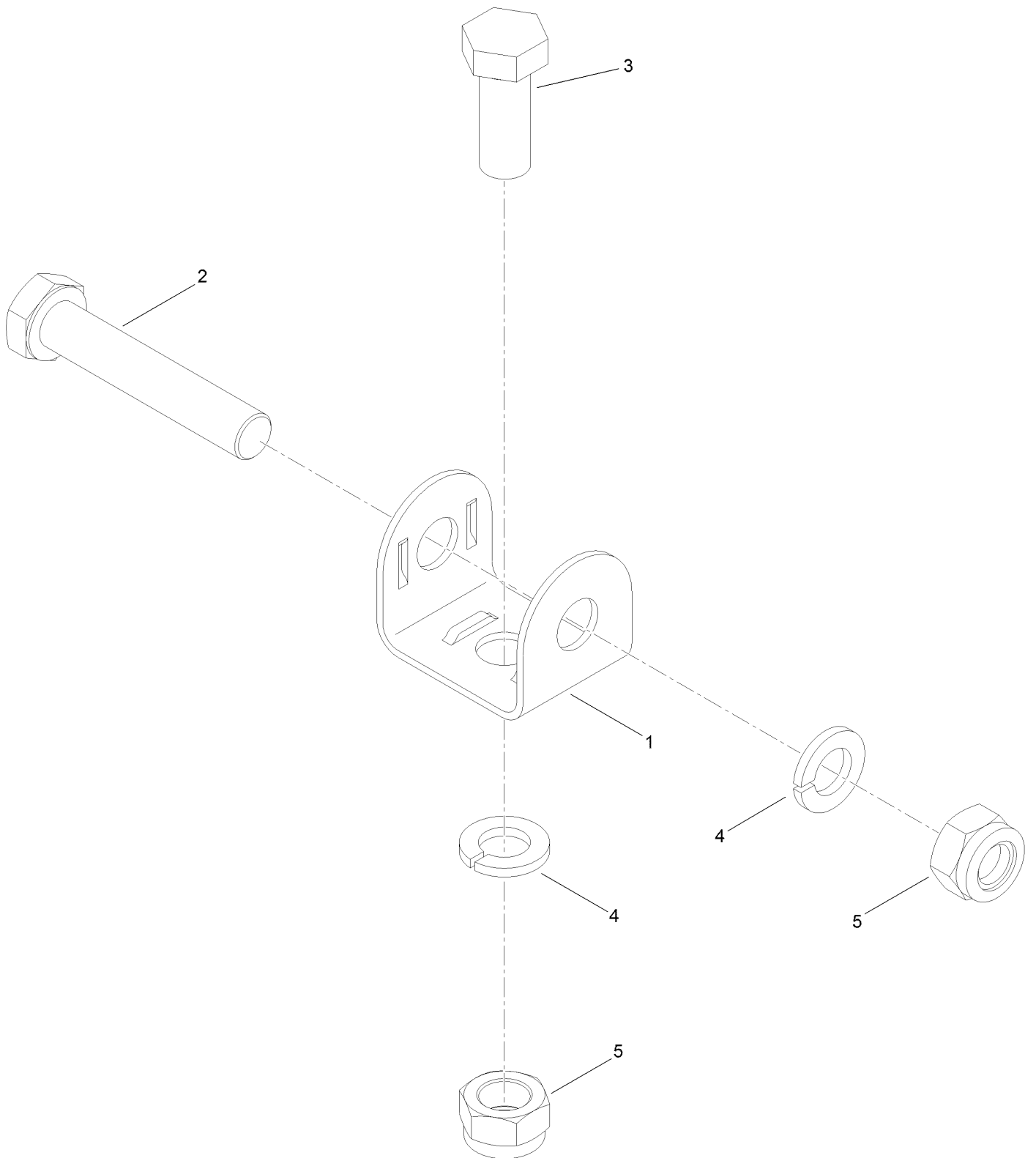


Cloth Premium Seat Assembly No. 117-9429 (continued)

| <i>Ref.</i> | <i>Part Number</i> | <i>Qty.</i> | <i>Description</i> | <i>Ref.</i> | <i>Part Number</i> | <i>Qty.</i> | <i>Description</i> |
|-------------|--------------------|-------------|--------------------------------------|-------------|--------------------|-------------|-------------------------|
| 1 | 117-9415 | 1 | Backrest Cushion ASM Matrix Cloth | 7:5 | | 2 | Bumper-Pressure Plate ● |
| 1:1 | 119-7742 | 4 | Screw-Cushion | 7:6 | | 1 | Spring-Extension ● |
| 2 | 117-9416 | 1 | Seat Cushion ASM Matrix Cloth | 7:7 | | 1 | Plate-Mounting ● |
| 2:1 | 119-7742 | 3 | Screw-Cushion | 7:8 | | 1 | Magnet ● |
| 3 | 108-8018 | 1 | Cover-Armrest | 8 | 108-8025 | 1 | Adjustment Rail Set |
| 4 | 108-8019 | 1 | LH Armrest ASM | 8:1 | | 1 | Rail-Adjustment, RH ● |
| 4:1 | 82-9650 | 1 | Nut | 8:2 | | 1 | Rail-Adjustment, LH ● |
| 4:2 | 107-1198 | 1 | Washer | 8:3 | | 1 | Stop-Rail ● |
| 5 | 108-8021 | 1 | Cover-Armrest | 8:4 | | 1 | Handle ● |
| 6 | 108-8022 | 2 | Cover-Black | 8:5 | | 3 | Screw ● |
| 7 | 108-8024 | 1 | Switch Kit | 8:6 | | 3 | Washer ● |
| 7:1 | | 3 | Wire Tie ● | 8:7 | | 1 | Screw ● |
| 7:2 | | 4 | Rivet ● | 9 | 110-6189 | 1 | Switch Kit |
| 7:3 | | 1 | Sensor-Seat Switch ● | 9:1 | | 1 | Switch ● |
| 7:4 | | 2 | Spring-Compression ● | 9:2 | | 3 | Wire Tie ● |
| | | | | 9:3 | | 2 | Rivet ● |

● Not serviced separately

Light Mount Kit Assembly No. 140-6698

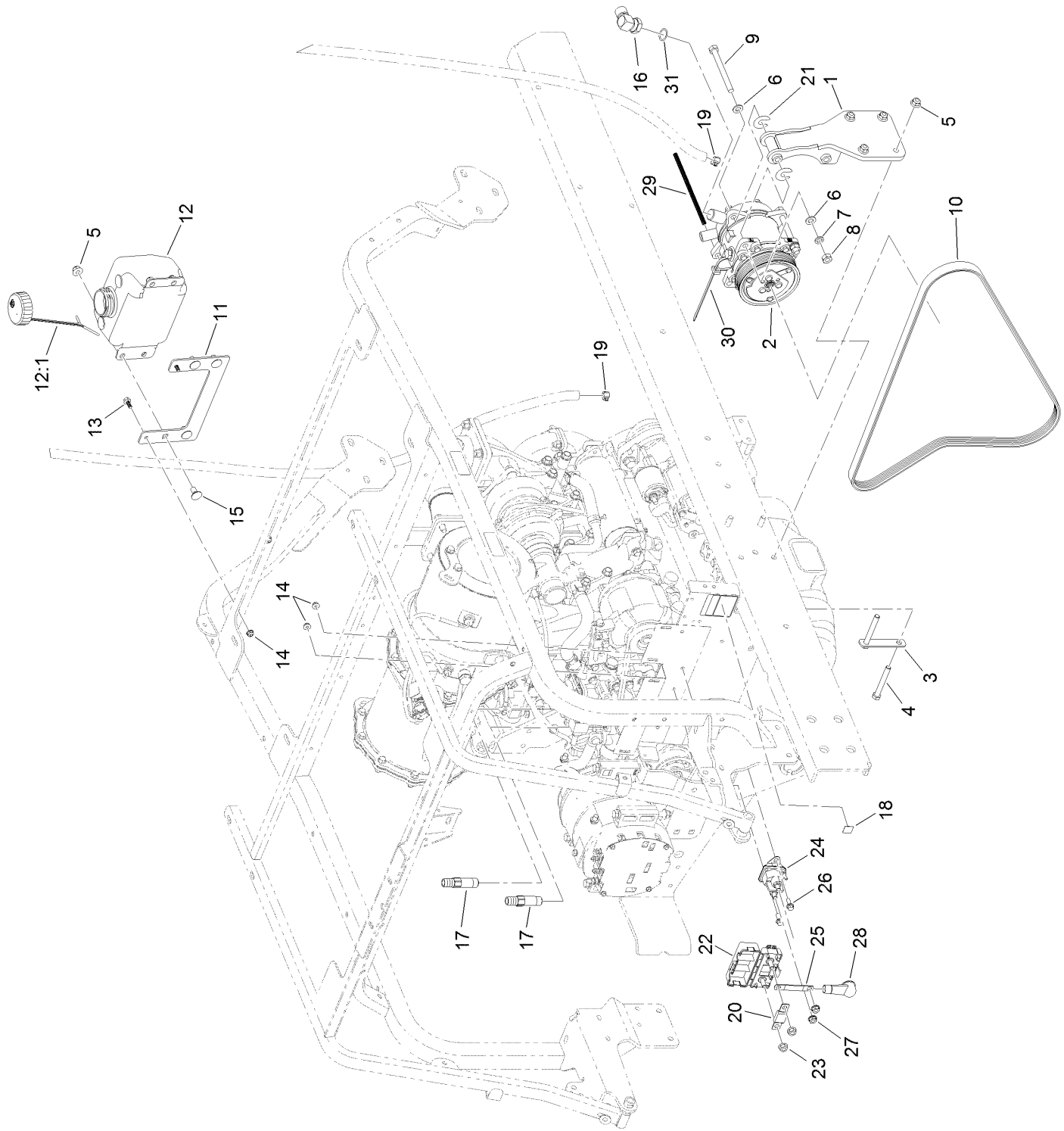


Light Mount Kit Assembly No. 140-6698 (continued)

| <i>Ref.</i> | <i>Part Number</i> | <i>Qty.</i> | <i>Description</i> |
|-------------|--------------------|-------------|--------------------|
| 1 | 139-2092 | 1 | Mount-Light |
| 2 | 107-7983 | 1 | Screw-HH |
| 3 | 33116-030 | 1 | Screw-HH |

| <i>Ref.</i> | <i>Part Number</i> | <i>Qty.</i> | <i>Description</i> |
|-------------|--------------------|-------------|--------------------|
| 4 | 48-8070 | 2 | Washer-Lock |
| 5 | 33026-00 | 2 | Nut-Hex |

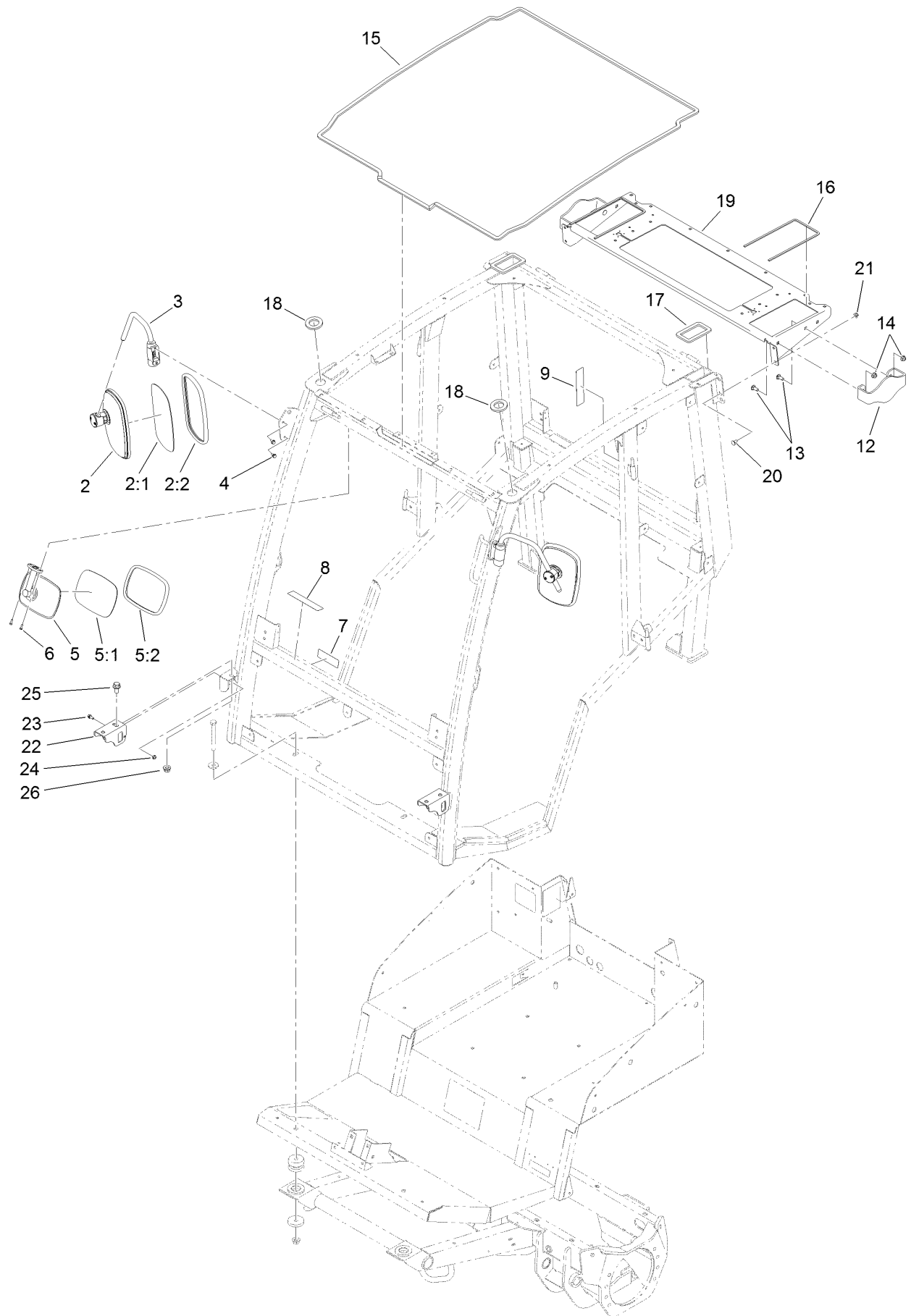
A/C Compressor Mount and Cab Fluids Assembly



A/C Compressor Mount and Cab Fluids Assembly (continued)

| <i>Ref.</i> | <i>Part Number</i> | <i>Qty.</i> | <i>Description</i> | <i>Ref.</i> | <i>Part Number</i> | <i>Qty.</i> | <i>Description</i> |
|-------------|--------------------|-------------|---------------------------|-------------|--------------------|-------------|-----------------------|
| 1 | 130-2482-03 | 1 | Mount-Compressor | 16 | 119-0128 | 1 | Fitting-Elbow, 90 DEG |
| 2 | 130-2487 | 1 | Compressor | 17 | 139-2236 | 2 | Fitting-STR Spcl |
| 3 | 130-2483-03 | 2 | Compressor-Mount, Strap | 18 | 137-5499 | 1 | Decal-Radio Memory |
| 4 | 323-14 | 4 | Screw-HH | 19 | 2412-108 | 2 | Clamp-Worm |
| 5 | 104-8301 | 8 | Nut-HF, NI | 20 | 122-0628 | 1 | Fuse-Mega |
| 6 | 33095-00 | 4 | Washer-Flat | 21 | 119-7734 | 4 | Shim |
| 7 | 48-9590 | 2 | Washer-Lock | 22 | 114-3318 | 1 | Holder-Fuse, Mega |
| 8 | 33015-00 | 2 | Nut-Hex | 23 | 127-2371 | 2 | Nut-HF |
| 9 | 33115-110 | 2 | Screw-HH | 24 | 131-8342 | 1 | Solenoid |
| 10 | 139-7849 | 1 | Belt-Poly V | 25 | 114-5682 | 1 | Strap-Jumper |
| 11 | 130-5625-03 | 1 | Bracket-Tank, Wiper Fluid | 26 | 3234-4 | 2 | Screw-HHF |
| 12 | 138-2702 | 1 | Tank-Fluid, Washer | 27 | 107-0380 | 2 | Nut-HHF |
| 12:1 | 125-5258 | 1 | Lid-Tank, Washer Fluid | 28 | 32180-008 | 1 | Insulator-Lug, Red |
| 13 | 99-6810 | 2 | Screw-HHF | 29 | 115-8882 | 1 | Conduit-Convoluted |
| 14 | 104-7201 | 4 | Nut-HF, NI | 30 | 3290-378 | 1 | Tie-Cable |
| 15 | 3231-1 | 4 | Screw-CARR | 31 | 117-2780 | 1 | O-Ring |

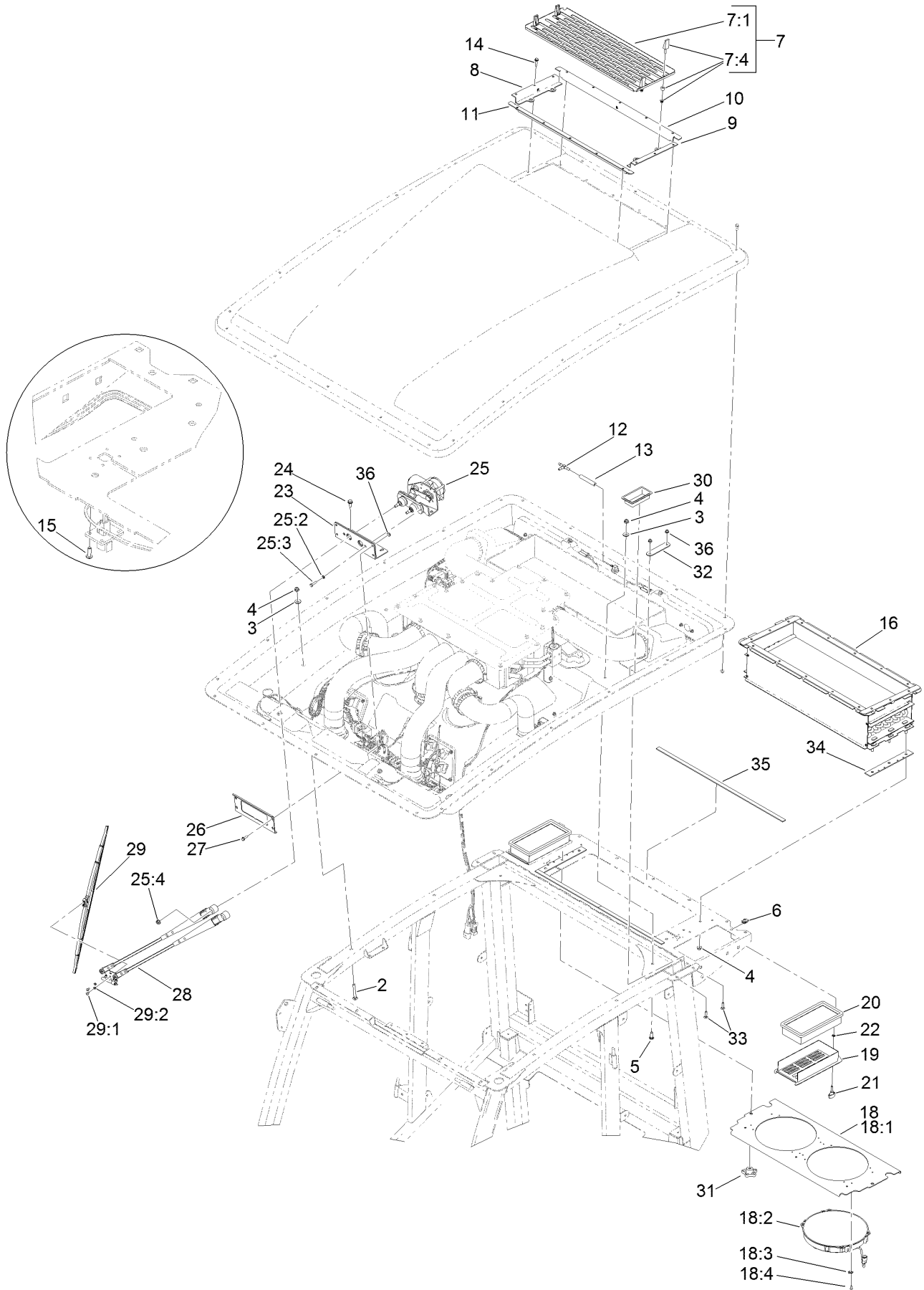
Cab Frame, Mirror and Decal Assembly



Cab Frame, Mirror and Decal Assembly (continued)

| <i>Ref.</i> | <i>Part Number</i> | <i>Qty.</i> | <i>Description</i> | <i>Ref.</i> | <i>Part Number</i> | <i>Qty.</i> | <i>Description</i> |
|-------------|--------------------|-------------|----------------------|-------------|--------------------|-------------|----------------------------|
| 2 | 121-8341 | 2 | Side Mirror ASM | 14 | 104-8301 | 4 | Nut-HF, NI |
| 2:1 | 121-8340 | 1 | Mirror | 15 | 130-0586 | 1 | Seal-Foam, Frame Roof |
| 2:2 | 121-8339 | 1 | Gasket | 16 | 130-0587 | 2 | Seal-Foam, Roof Air Filter |
| 3 | 121-8275 | 2 | Arm-Mirror, Side | 17 | 130-5855 | 2 | Seal-Tube, Rear |
| 4 | 33103-016 | 4 | Screw-HHF | 18 | 133-0982 | 2 | Tube-Seal, Front |
| 5 | 121-8343 | 1 | Interior Mirror ASM | 19 | 136-1768-03 | 1 | Shelf-Mount, Fan |
| 5:1 | 121-8342 | 1 | Mirror | 20 | 3230-18 | 4 | Screw-CARR |
| 5:2 | 121-8389 | 1 | Gasket | 21 | 104-8300 | 4 | Nut-HF, NI |
| 6 | 32144-32 | 2 | Screw | 22 | 144-3259-03 | 2 | Bracket-Extension, Light |
| 7 | 130-5356 | 1 | Decal-Traction Pedal | 23 | 3234-33 | 2 | Screw-HHF |
| 8 | 130-0611 | 4 | Decal-Window, Pin | 24 | 104-7201 | 2 | Nut-HF, NI |
| 9 | 130-0594 | 1 | Decal-Warning | 25 | 3234-6 | 2 | Screw-HHF |
| 12 | 130-5791-03 | 2 | Deck-Stop | 26 | 99-5107 | 2 | Nut-Lock |
| 13 | 3231-12 | 4 | Bolt-CARR | | | | |

Windshield Wiper, Filter and Air Conditioning Assembly

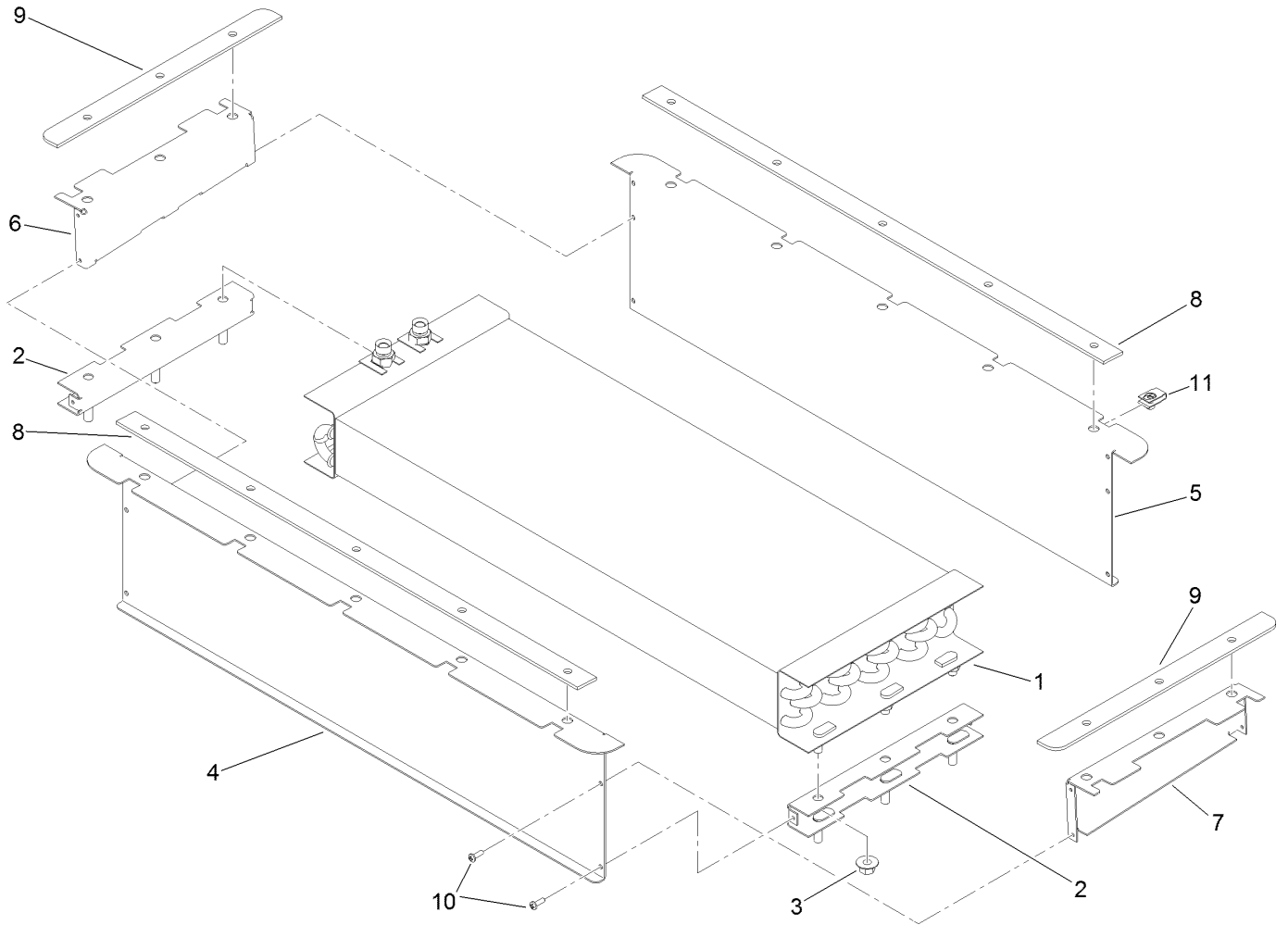


Windshield Wiper, Filter and Air Conditioning Assembly (continued)

| <i>Ref.</i> | <i>Part Number</i> | <i>Qty.</i> | <i>Description</i> | <i>Ref.</i> | <i>Part Number</i> | <i>Qty.</i> | <i>Description</i> |
|-------------|--------------------|-------------|-----------------------|-------------|--------------------|-------------|---------------------------|
| 2 | 3230-9 | 4 | Screw-CARR | 20 | 121-8457 | 2 | Filter-Air |
| 3 | 3256-3 | 17 | Washer-Flat | 21 | 126-5846 | 2 | Knob-T |
| 4 | 104-8300 | 21 | Nut-HF, NI | 22 | 32115-15 | 2 | Nut-Push |
| 5 | 3230-22 | 13 | Screw-CARR | 23 | 130-5871 | 1 | Bracket-Wiper |
| 6 | 107069 | 2 | Clip | 24 | 32144-11 | 3 | Screw-HWH |
| 7 | | 1 | Screen ASM ● | 25 | 125-7452 | 1 | Wiper Motor ASM |
| 7:1 | 132-3530-03 | 1 | Screen | 25:2 | 3253-3 | 1 | Washer-Lock |
| 7:4 | 74-5950 | 4 | Latch-Swell | 25:3 | 33113-025 | 1 | Screw-HH |
| 8 | 132-3534-03 | 1 | Seal-Side, Right | 25:4 | 112-2844 | 2 | Nut-HF |
| 9 | 132-3533-03 | 1 | Seal-Side, Left | 26 | 130-6068-03 | 1 | Plate-Washer, Wiper Motor |
| 10 | 132-3532-03 | 1 | Seal-Rear | 27 | 32105-15 | 4 | Screw-HWH |
| 11 | 132-3531-03 | 1 | Seal-Front | 28 | 125-7453 | 1 | Arm-Wiper |
| 12 | 99-5005 | 1 | Fitting-Tee, Barbed | 29 | 125-7454 | 1 | Blade-Wiper |
| 13 | 114-3765 | 1 | Hose-Fuel | 29:1 | 47-2830 | 2 | Screw |
| 14 | 120-4654 | 16 | Screw-HHF | 29:2 | 43-5920 | 2 | Washer-Lock, Spring |
| 15 | 363-8245 | 8 | Screw-TAP | 30 | 130-5661 | 2 | Tube-Sleeve |
| 16 | 132-3468 | 1 | A/C Duct ASM | 31 | 117-5976 | 2 | Knob-Handle |
| 18 | 132-3488 | 1 | Panel-Fan | 32 | 130-5854 | 2 | Brace-Seal |
| 18:1 | 132-3486-03 | 1 | Plate-Mount, Fan | 33 | 3229-30 | 4 | Screw-CARR |
| 18:2 | 132-3607 | 2 | Fan-Condenser | 34 | 132-3608 | 2 | Seal-Edge |
| 18:3 | 132-3606 | 8 | Tab-Fan | 35 | 132-3609 | 2 | Seal-Strip |
| 18:4 | 105-6849 | 8 | Screw-Forming, Thread | 36 | 104-7201 | 8 | Nut-HF, NI |
| 19 | 125-9825-03 | 2 | Cover-Air, Fresh | | | | |

● Not serviced separately

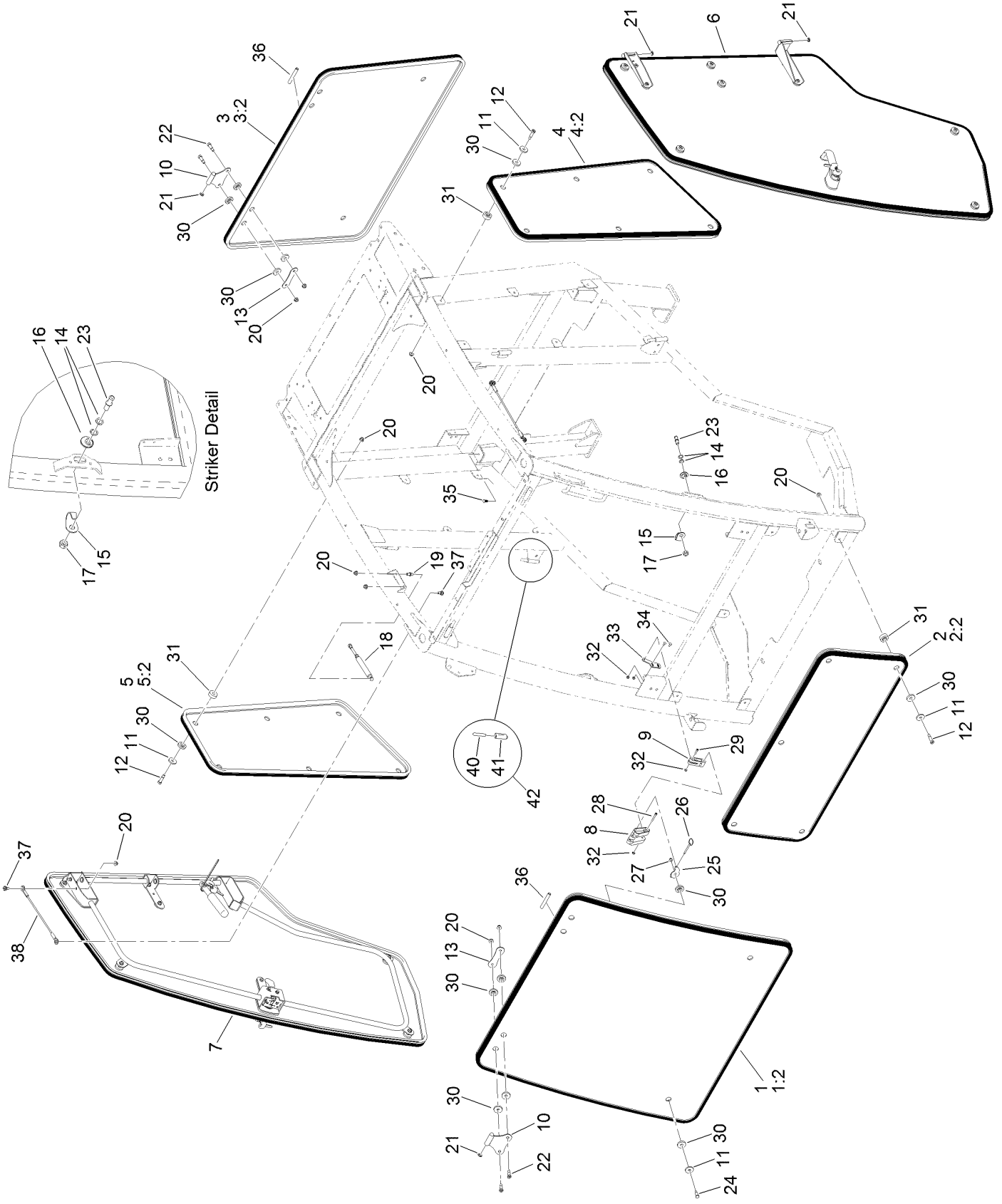
Air Conditioning Duct Assembly No. 132-3468



Air Conditioning Duct Assembly No. 132-3468 (continued)

| <i>Ref.</i> | <i>Part Number</i> | <i>Qty.</i> | <i>Description</i> | <i>Ref.</i> | <i>Part Number</i> | <i>Qty.</i> | <i>Description</i> |
|-------------|--------------------|-------------|--------------------|-------------|--------------------|-------------|--------------------|
| 1 | 121-8447 | 1 | Core-Condenser | 7 | 132-3465-03 | 1 | Wall-Side, Left |
| 2 | 132-3469-03 | 2 | Leg-Lower | 8 | 132-3466 | 2 | Seal-Strip |
| 3 | 32128-44 | 6 | Nut | 9 | 132-3467 | 2 | Seal-Edge |
| 4 | 132-3462-03 | 1 | Wall-Front | 10 | 363-8245 | 12 | Screw-TAP |
| 5 | 132-3463-03 | 1 | Wall-Back | 11 | 107069 | 16 | Clip |
| 6 | 132-3464-03 | 1 | Wall-Side, Right | | | | |

Window and Door Assembly

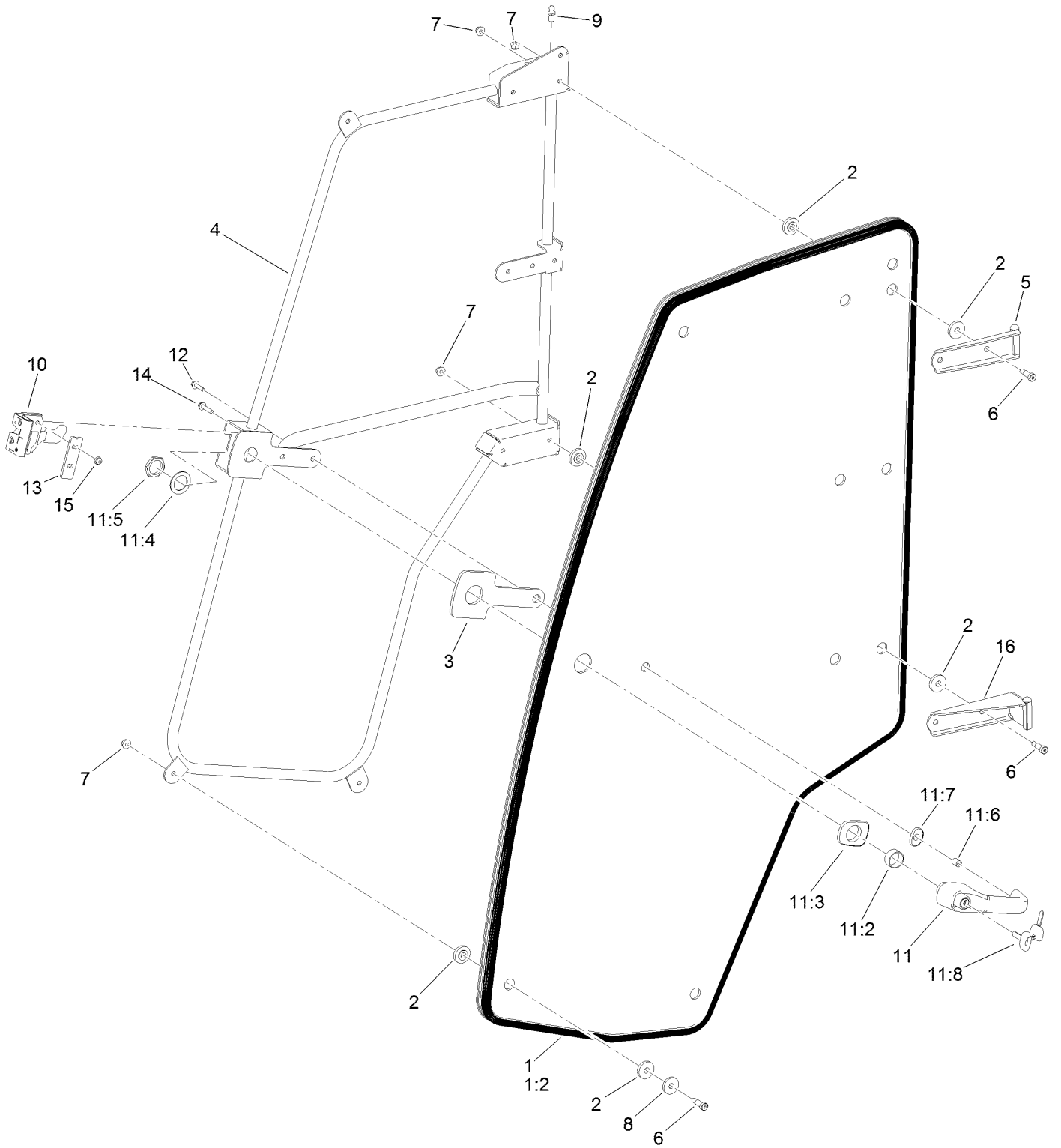


Window and Door Assembly (continued)

| <i>Ref.</i> | <i>Part Number</i> | <i>Qty.</i> | <i>Description</i> | <i>Ref.</i> | <i>Part Number</i> | <i>Qty.</i> | <i>Description</i> |
|-------------|--------------------|-------------|--------------------------|-------------|--------------------|-------------|-----------------------|
| 1 | 130-5680 | 1 | Upper Front Window ASM | 19 | 98-3104 | 2 | Stud-Ball |
| 1:2 | 121-8212 | 1 | Seal-Trim | 20 | 104-8300 | 31 | Nut-HF, NI |
| 2 | 130-5681 | 1 | Lower Front Window ASM | 21 | 121-8441 | 8 | Washer-Spacer |
| 2:2 | 121-8211 | 1 | Trim-Window, Front | 22 | 125-9520 | 8 | Screw-Shoulder, HSH |
| 3 | 130-5690 | 1 | Rear Window ASM | 23 | 125-9993 | 2 | Striker-Stud |
| 3:2 | 121-8213 | 1 | Trim-Window, Rear | 24 | 119-9812 | 4 | Bolt-Shoulder |
| 4 | 130-6187 | 1 | LH Side Window ASM | 25 | 144-3308 | 4 | Mount-Latch |
| 4:2 | 130-0502 | 1 | Trim-Window, Stationary | 26 | 127-9850 | 4 | Pin-Release, Quick |
| 5 | 130-6186 | 1 | RH Side Window ASM | 27 | 104-7201 | 4 | Nut-HF, NI |
| 5:2 | 130-0502 | 1 | Trim-Window, Stationary | 28 | 3274-59 | 4 | Screw-HSH |
| 6 | | 1 | LH Door ASM ● | 29 | 3274-14 | 4 | Screw-HSH |
| 7 | | 1 | RH Door ASM ● | 30 | 125-9982 | 41 | Bushing-Flange |
| 8 | 125-9792 | 4 | Handle-Window | 31 | 125-9537 | 17 | Bushing-Flange |
| 9 | 125-9793 | 4 | Link-Window | 32 | 120-9681 | 16 | Nut-Lock, NI |
| 10 | 121-8535-03 | 4 | Hinge-Window | 33 | 130-0590 | 4 | Mount-Tab |
| 11 | 130-5815 | 21 | Washer-Backup | 34 | 1-807513 | 8 | Bolt-CARR |
| 12 | 125-9521 | 17 | Screw-Shoulder, HSH | 35 | 114-4899 | 2 | Rivet-Push |
| 13 | 144-3307 | 4 | Plate-Backer, Windshield | 36 | 130-5578 | 2 | Tubing-Seal, Rubber |
| 14 | 73-0040 | 4 | Washer-Thrust | 37 | 120-9471 | 4 | Bolt-Shoulder |
| 15 | 121-8393 | 2 | Guard-Striker | 38 | 130-5726 | 2 | Lanyard |
| 16 | 125-9992 | 2 | Adjuster-Stud | 40 | 133-1110 | 1 | Pin-Hinge |
| 17 | 106-0327 | 2 | Nut-Hex | 41 | 121-8439 | 1 | Receiver-Pivot, Hinge |
| 18 | 130-6083 | 2 | Spring-Gas, Door | 42 | 121-8440 | 1 | Pivot-Hinge |

● Not serviced separately

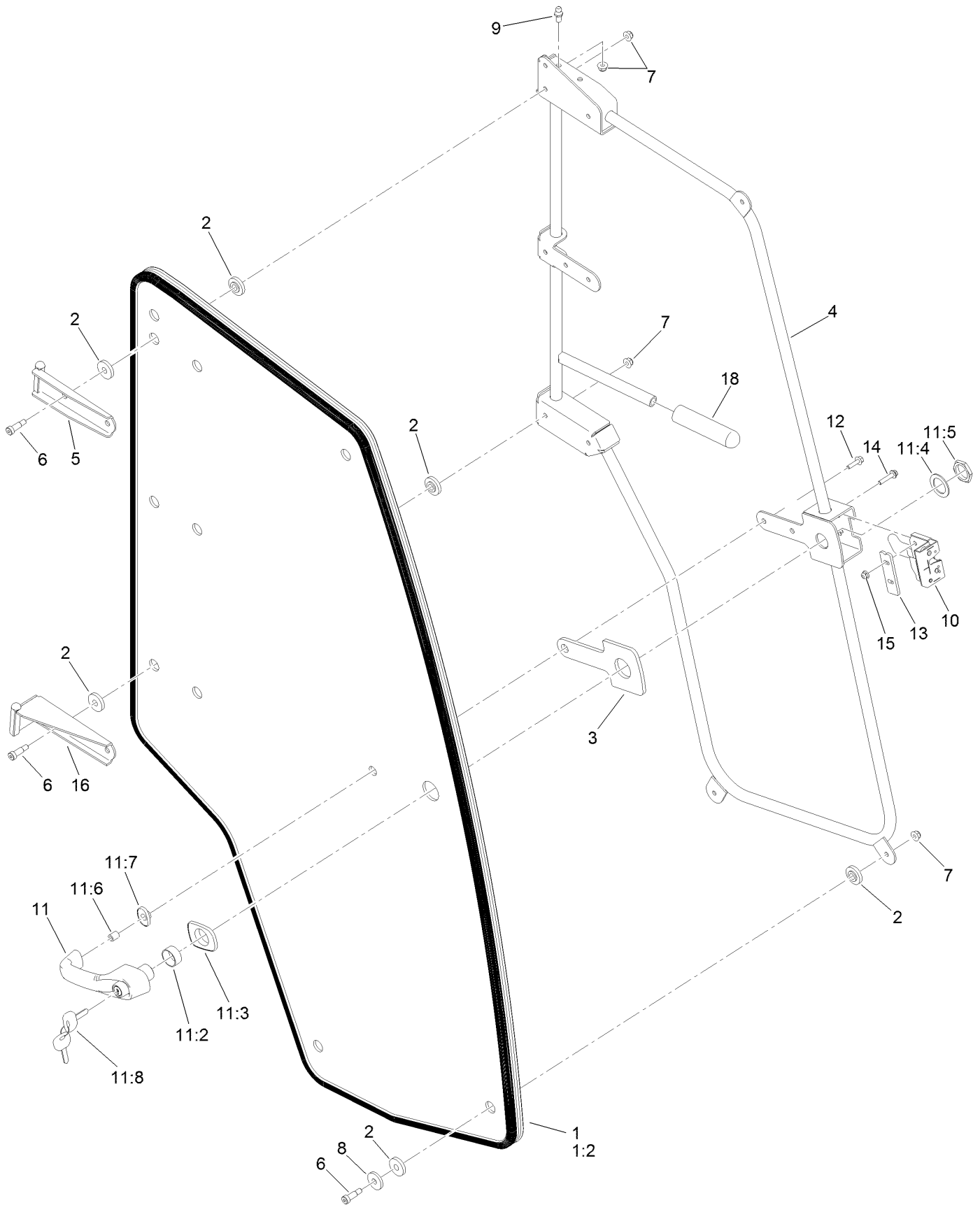
Left Hand Door Assembly



Left Hand Door Assembly (continued)

| <i>Ref.</i> | <i>Part Number</i> | <i>Qty.</i> | <i>Description</i> | <i>Ref.</i> | <i>Part Number</i> | <i>Qty.</i> | <i>Description</i> |
|-------------|--------------------|-------------|----------------------|-------------|--------------------|-------------|-------------------------|
| 1 | 130-6185 | 1 | LH Door ASM | 11:2 | 121-8628 | 1 | Cylinder-Mounting, Key |
| 1:2 | 121-8317 | 1 | Trim-Window, Door | 11:3 | 121-8322 | 1 | Grommet-Mounting, Large |
| 2 | 125-9982 | 20 | Bushing-Flange | 11:4 | 121-8327 | 1 | Washer |
| 3 | 121-8331 | 1 | Gasket-Handle | 11:5 | 121-8328 | 1 | Nut |
| 4 | 125-7358-03 | 1 | Frame-Door, LH | 11:6 | 121-8627 | 1 | Cylinder-Mounting, End |
| 5 | 130-0525-03 | 1 | Hinge-Door, Top (LH) | 11:7 | 121-8323 | 1 | Grommet-Mounting, Small |
| 6 | 125-9520 | 10 | Screw-Shoulder, HSH | 11:8 | 125-9531 | 1 | Key-Set |
| 7 | 104-8300 | 11 | Nut-HF, NI | 12 | 33103-025 | 1 | Screw-HHF |
| 8 | 130-5815 | 6 | Washer-Backup | 13 | 121-8395 | 1 | Plate-Support, Latch |
| 9 | 98-3104 | 1 | Stud-Ball | 14 | 3234-21 | 2 | Screw-HHF |
| 10 | 121-8391 | 1 | Latch-LH | 15 | 104-7201 | 2 | Nut-HF, NI |
| 11 | 121-8630 | 1 | Handle ASM | 16 | 130-0526-03 | 1 | Hinge-Door, Bottom (LH) |

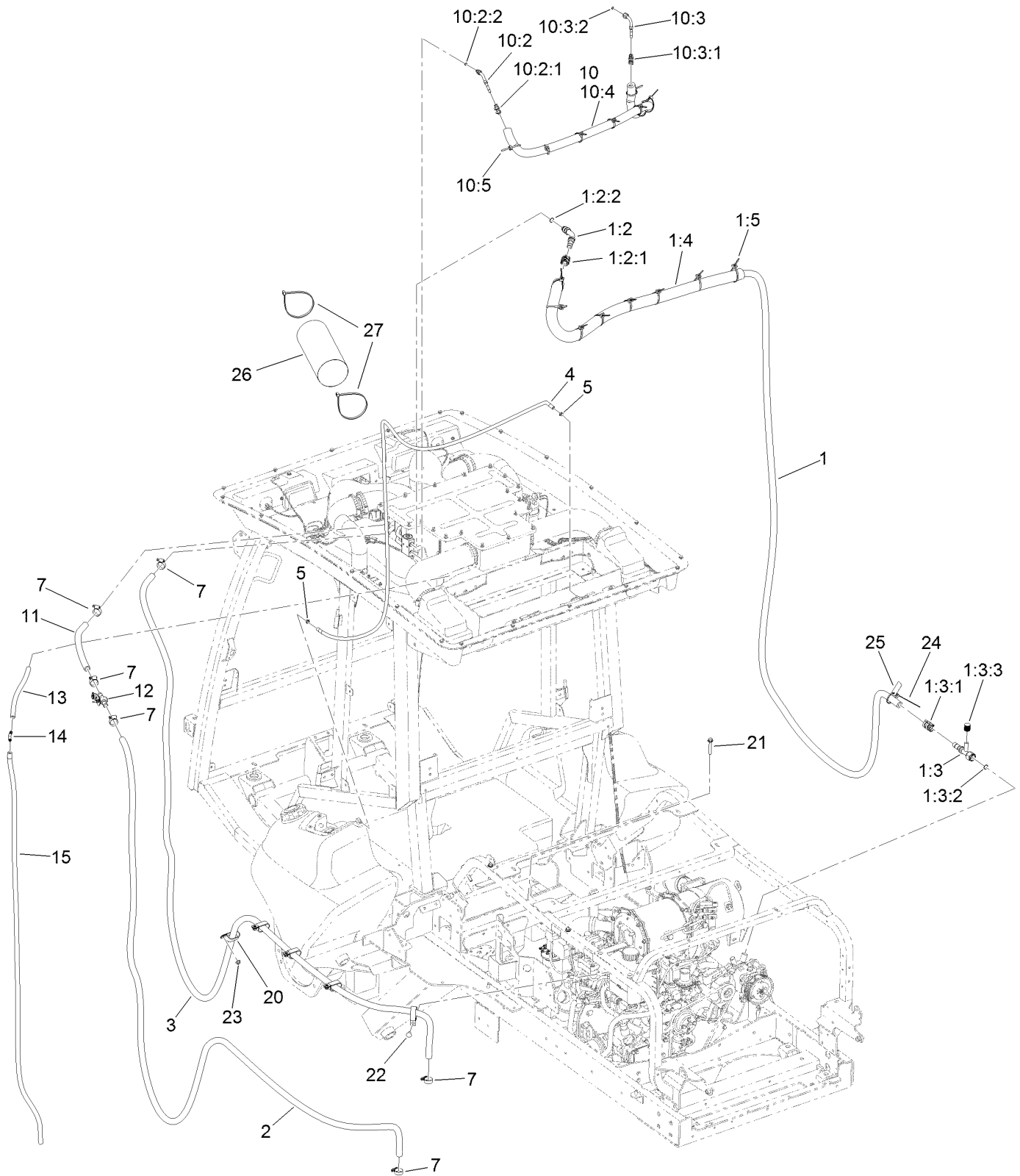
Right Hand Door Assembly



Right Hand Door Assembly (continued)

| <i>Ref.</i> | <i>Part Number</i> | <i>Qty.</i> | <i>Description</i> | <i>Ref.</i> | <i>Part Number</i> | <i>Qty.</i> | <i>Description</i> |
|-------------|--------------------|-------------|------------------------|-------------|--------------------|-------------|-------------------------|
| 1 | 130-6184 | 1 | RH Door ASM | 11:3 | 121-8322 | 1 | Grommet-Mounting, Large |
| 1:2 | 121-8317 | 1 | Trim-Window, Door | 11:4 | 121-8327 | 1 | Washer |
| 2 | 125-9982 | 20 | Bushing-Flange | 11:5 | 121-8328 | 1 | Nut |
| 3 | 121-8331 | 1 | Gasket-Handle | 11:6 | 121-8627 | 1 | Cylinder-Mounting, End |
| 4 | 125-7359-03 | 1 | Frame-Door, RH | 11:7 | 121-8323 | 1 | Grommet-Mounting, Small |
| 5 | 130-0529-03 | 1 | Hinge-Door, Top (RH) | 11:8 | 125-9531 | 1 | Key-Set |
| 6 | 125-9520 | 10 | Screw-Shoulder, HSH | 12 | 33103-025 | 1 | Screw-HHF |
| 7 | 104-8300 | 11 | Nut-HF, NI | 13 | 121-8395 | 1 | Plate-Support, Latch |
| 8 | 130-5815 | 6 | Washer-Backup | 14 | 3234-21 | 2 | Screw-HHF |
| 9 | 98-3104 | 1 | Stud-Ball | 15 | 104-7201 | 2 | Nut-HF, NI |
| 10 | 121-8390 | 1 | Latch-RH | 16 | 130-0530-03 | 1 | Hinge-Door, Bottom (RH) |
| 11 | 121-8630 | 1 | Handle ASM | 18 | 110-1037 | 1 | Grip-Handle |
| 11:2 | 121-8628 | 1 | Cylinder-Mounting, Key | | | | |

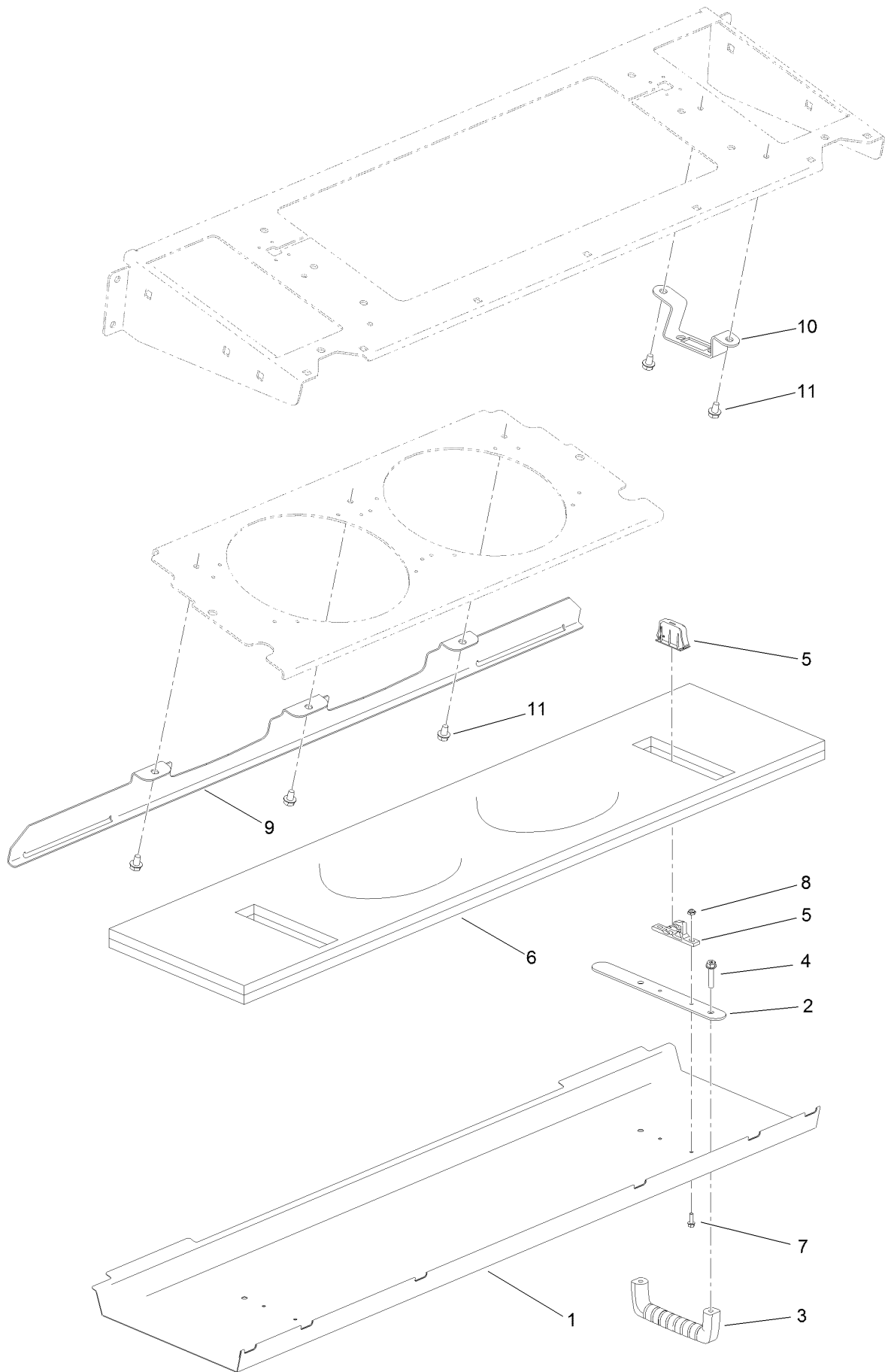
Left Side Hose Assembly



Left Side Hose Assembly (continued)

| <i>Ref.</i> | <i>Part Number</i> | <i>Qty.</i> | <i>Description</i> | <i>Ref.</i> | <i>Part Number</i> | <i>Qty.</i> | <i>Description</i> |
|-------------|--------------------|-------------|--------------------------|-------------|--------------------|-------------|---------------------------|
| 1 | 130-5620 | 1 | A/C Hose ASM | 10:3 | 130-5751 | 1 | Fitting-Female, 90 DEG |
| 1:2 | 130-5754 | 1 | Fitting-Male, 45 DEG | 10:3:1 | 130-5772 | 1 | Fitting Kit |
| 1:2:1 | 130-5775 | 1 | Fitting Kit | 10:3:2 | 117-2778 | 1 | O-Ring |
| 1:2:2 | 117-2780 | 1 | O-Ring | 10:4 | 130-5958 | 1 | Cover-Foam |
| 1:3 | 130-5755 | 1 | Fitting-Female, Straight | 10:5 | 3290-378 | 8 | Tie-Cable |
| 1:3:1 | 130-5775 | 1 | Fitting Kit | 11 | 125-9706 | 1 | Hose-Heater |
| 1:3:2 | 117-2780 | 1 | O-Ring | 12 | 120-4947 | 1 | Valve-Heater |
| 1:3:3 | 117-2784 | 1 | Cap-Side, Low | 13 | 125-9865 | 1 | Hose-Drain |
| 1:4 | 130-5959 | 1 | Cover-Foam | 14 | 130-0578 | 1 | Fitting-Barb, 90 DEG |
| 1:5 | 3290-378 | 8 | Tie-Cable | 15 | 125-9866 | 1 | Hose-Drain |
| 2 | 130-5622 | 1 | Hose-Heater | 20 | 2412-137 | 5 | Clamp-R, Double |
| 3 | 130-5946 | 1 | Hose-Heater | 21 | 3234-39 | 4 | Screw-HHF |
| 4 | 130-5813 | 1 | Hose-Fuel | 22 | 3231-21 | 1 | Screw-CARR |
| 5 | 2412-98 | 2 | Clamp-Hose | 23 | 104-8301 | 5 | Nut-HF, NI |
| 7 | 2412-129 | 6 | Clamp-Hose | 24 | 3290-378 | 1 | Tie-Cable |
| 10 | 125-9702 | 1 | Hose ASM | 25 | 133-0779 | 1 | Tag-Hang, Oil Refrigerant |
| 10:2 | 130-5753 | 1 | Fitting-45 DEG | 26 | 133-1025 | 1 | Wrap-Abrasion |
| 10:2:1 | 130-5772 | 1 | Fitting Kit | 27 | 94-3890 | 2 | Tie-Cable |
| 10:2:2 | 117-2778 | 1 | O-Ring | | | | |

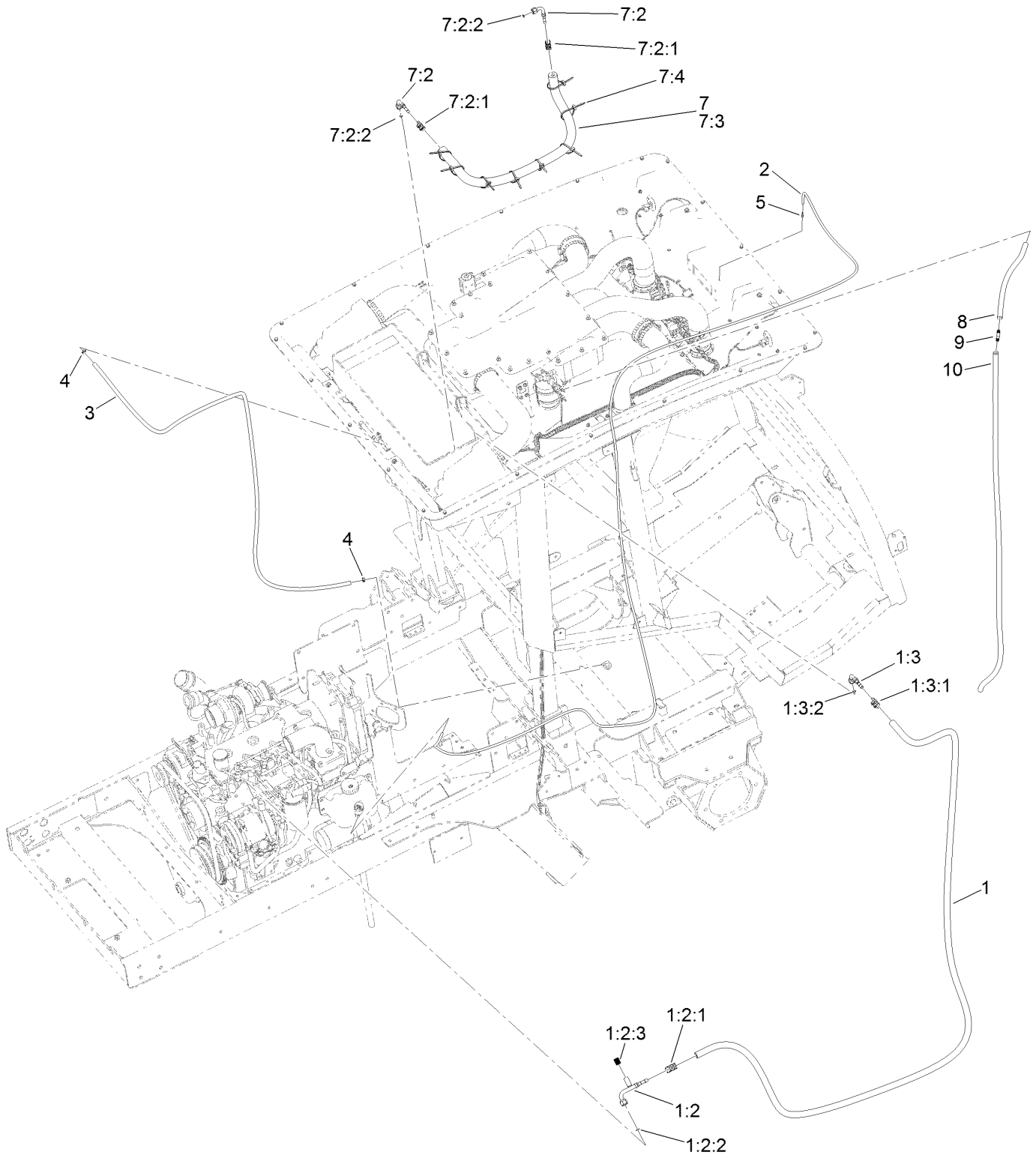
Pre-Filter Screen Assembly



Pre-Filter Screen Assembly (continued)

| <i>Ref.</i> | <i>Part Number</i> | <i>Qty.</i> | <i>Description</i> | <i>Ref.</i> | <i>Part Number</i> | <i>Qty.</i> | <i>Description</i> |
|-------------|--------------------|-------------|---------------------|-------------|--------------------|-------------|---------------------|
| 1 | 130-0640-03 | 1 | Screen | 7 | 112-3169 | 4 | Screw-HHF, Serrated |
| 2 | 130-0642-03 | 2 | Backplate | 8 | 3296-54 | 4 | Nut-Lock |
| 3 | 65-5100 | 2 | Handle-Door | 9 | 132-3630-03 | 1 | Screen-Mount, Front |
| 4 | 137-3101 | 4 | Screw-Plastic, HWH | 10 | 136-2171 | 2 | Mount-Latch |
| 5 | 130-0643 | 2 | Latch-Push To Close | 11 | 32104-82 | 7 | Screw-HHF |
| 6 | 130-5875 | 1 | Pre-Filter | | | | |

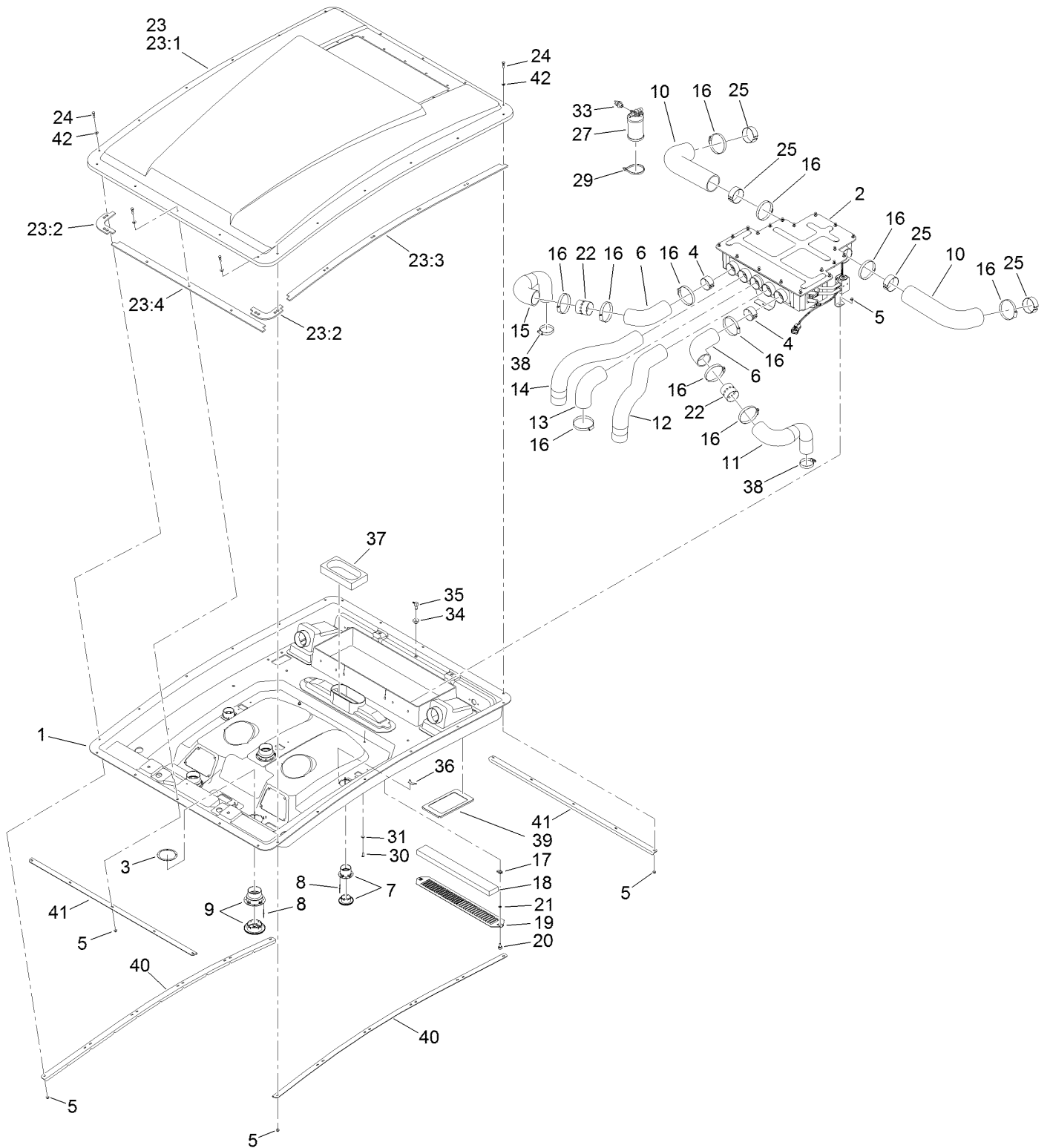
Right Side Hose Assembly



Right Side Hose Assembly (continued)

| <i>Ref.</i> | <i>Part Number</i> | <i>Qty.</i> | <i>Description</i> | <i>Ref.</i> | <i>Part Number</i> | <i>Qty.</i> | <i>Description</i> |
|-------------|--------------------|-------------|------------------------|-------------|--------------------|-------------|------------------------|
| 1 | 130-5621 | 1 | A/C Hose ASM | 5 | 127-9905 | 1 | Fitting-Hose, Barb |
| 1:2 | 130-5758 | 1 | Fitting-Female, 90 DEG | 7 | 125-9703 | 1 | Hose ASM |
| 1:2:1 | 130-5773 | 1 | Fitting Kit | 7:2 | 130-5751 | 2 | Fitting-Female, 90 DEG |
| 1:2:2 | 117-2779 | 1 | O-Ring | 7:2:1 | 130-5772 | 1 | Fitting Kit |
| 1:2:3 | 117-2783 | 1 | Cap-Side, High | 7:2:2 | 117-2778 | 1 | O-Ring |
| 1:3 | 130-5752 | 1 | Fitting-Female, 90 DEG | 7:3 | 130-5958 | 1 | Cover-Foam |
| 1:3:1 | 130-5773 | 1 | Fitting Kit | 7:4 | 3290-378 | 8 | Tie-Cable |
| 1:3:2 | 117-2778 | 1 | O-Ring | 8 | 125-9865 | 1 | Hose-Drain |
| 2 | 130-5624 | 1 | Hose-Fluid, Wiper | 9 | 130-0578 | 1 | Fitting-Barb, 90 DEG |
| 3 | 130-5813 | 1 | Hose-Fuel | 10 | 125-9866 | 1 | Hose-Drain |
| 4 | 2412-98 | 2 | Clamp-Hose | | | | |

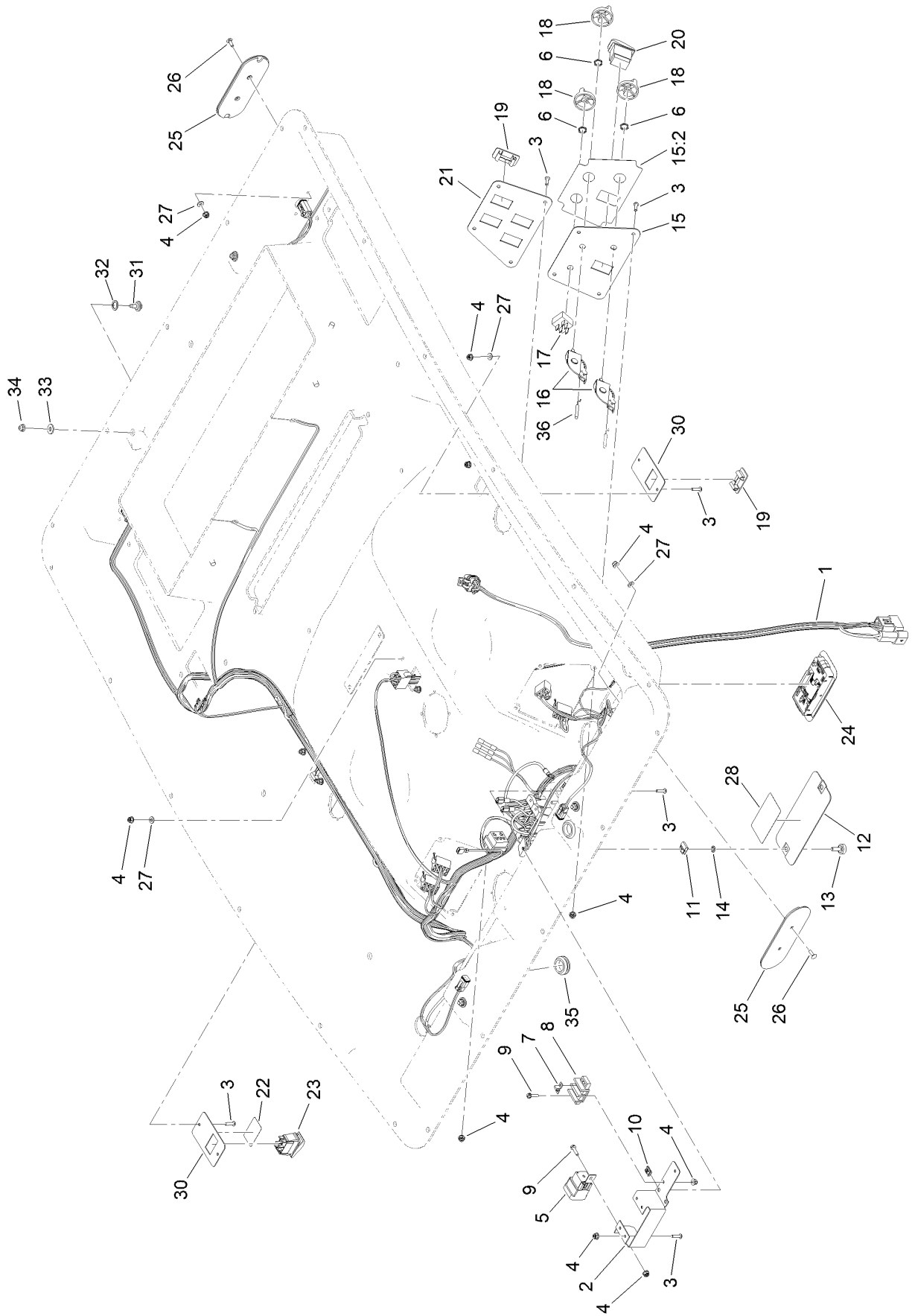
Roof and Headliner Assembly



Roof and Headliner Assembly (continued)

| <i>Ref.</i> | <i>Part Number</i> | <i>Qty.</i> | <i>Description</i> | <i>Ref.</i> | <i>Part Number</i> | <i>Qty.</i> | <i>Description</i> |
|-------------|--------------------|-------------|-----------------------------------|-------------|--------------------|-------------|-----------------------|
| 1 | 140-6760 | 1 | Headliner ASM | 22 | 130-5927 | 2 | Adapter-Bleed |
| 2 | 121-8495 | 1 | Box-Mixing, Heater A/C | 23 | 132-3601 | 1 | Roof ASM |
| 3 | 130-0558 | 3 | Backplate-Rivet | 23:1 | 132-3602 | 1 | Roof |
| 4 | 130-5938 | 2 | Tube-Support | 23:2 | 130-5961 | 4 | Seal-Corner |
| 5 | 104-7201 | 24 | Nut-HF, NI | 23:3 | 130-5960 | 2 | Seal-Side |
| 6 | 130-5860 | 2 | Hose-Vent | 23:4 | 130-5962 | 2 | Seal-Front, Rear |
| 7 | 130-0455 | 2 | Louver-Round, Snap-In | 24 | 136-8674 | 22 | Bolt-Pivot, Eccentric |
| 8 | 125-7503 | 20 | Rivet-Pop | 25 | 130-5939 | 4 | Tube-Support |
| 9 | 130-0465 | 3 | Louver-Round, Snap-In (4 Inch) | 27 | 130-5999 | 1 | Drier-Receiver |
| 10 | 121-8473 | 2 | Hose-Intake, Fresh Air | 29 | 3334-945 | 2 | Tie-Cable |
| 11 | 130-5861 | 1 | Hose-Vent, Outer (LH) | 30 | 3274-69 | 2 | Screw-HSBH |
| 12 | 121-8477 | 1 | Hose-Vent, Defrost (LH) | 31 | 3256-1 | 2 | Washer-Flat |
| 13 | 130-0437 | 1 | Hose-Vent, Center | 33 | 119-4501 | 1 | Switch-Function, Dual |
| 14 | 121-8478 | 1 | Hose-Vent, Defrost (RH) | 34 | 46-6560 | 1 | Bushing |
| 15 | 130-5862 | 1 | Hose-Vent, Outer (RH) | 35 | 104-5228 | 1 | Fitting-Elbow, 90 DEG |
| 16 | 2412-110 | 11 | Clamp-Band/Screw | 36 | 130-0445 | 4 | Backplate-Rivet |
| 17 | 107069 | 2 | Clip | 37 | 130-0444 | 1 | Foam-Inlet, Airbox |
| 18 | 125-9532 | 1 | Filter-Cab, Inside | 38 | 2412-130 | 2 | Clamp-Hose |
| 19 | 125-9604-03 | 1 | Plate-Cover, Recirculation | 39 | 132-3474 | 2 | Insert-Seal, Filter |
| 20 | 125-7438 | 2 | Knob-Screw, Thumb | 40 | 132-1461-03 | 2 | Strap-Cab, Side |
| 21 | 32115-15 | 2 | Nut-Push | 41 | 132-1462-03 | 2 | Strap-Cab |
| | | | | 42 | 3256-74 | 22 | Washer-Flat |

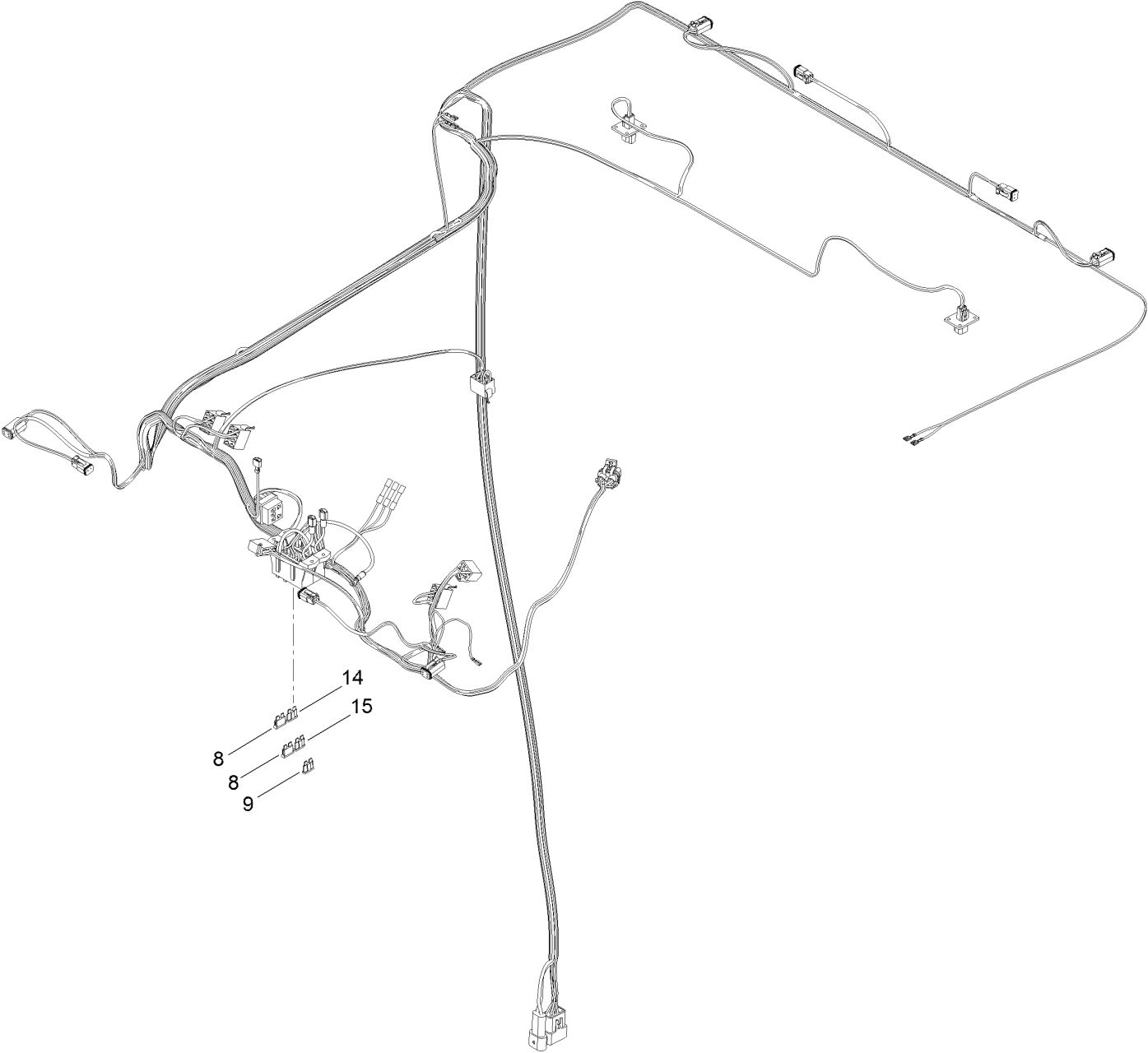
Headliner Wire Harness and Control Assembly



Headliner Wire Harness and Control Assembly (continued)

| <i>Ref.</i> | <i>Part Number</i> | <i>Qty.</i> | <i>Description</i> | <i>Ref.</i> | <i>Part Number</i> | <i>Qty.</i> | <i>Description</i> |
|-------------|--------------------|-------------|--------------------------------|-------------|--------------------|-------------|----------------------|
| 1 | 122-2129 | 1 | Harness-Wire, Cab Headliner | 18 | 125-9510 | 3 | Knob-Control |
| 2 | 125-9606-03 | 1 | Bracket-Fuse Block | 19 | 99-7420 | 6 | Plug-Hole |
| 3 | 104-2408 | 22 | Screw-HSBH | 20 | 95-8999 | 1 | Switch |
| 4 | 120-4578 | 29 | Nut-HF | 21 | 125-9691-03 | 1 | Panel-Switch, Lights |
| 5 | 99-7430 | 1 | Relay-Mini | 22 | 125-9688 | 1 | Decal-Washer |
| 6 | 130-0588 | 3 | Nut-Switch | 23 | 119-8355 | 1 | Switch-Rocker |
| 7 | 42863 | 1 | Strip-Jumper | 24 | 125-7437 | 1 | Light-Dome |
| 8 | 42862 | 1 | Block-Terminal, Ground | 25 | 130-5867 | 4 | Cover-Light, Rear |
| 9 | 32105-13 | 3 | Screw-HWH | 26 | 3229-34 | 8 | Screw-CARR |
| 10 | 107-1013 | 4 | Nut-Speed | 27 | 3256-14 | 14 | Washer-Flat |
| 11 | 609900 | 2 | Nut-Speed | 28 | 132-3600 | 1 | Decal-Panel, Fuse |
| 12 | 125-9603-03 | 1 | Plate-Cover, Fuse | 30 | 144-3306 | 3 | Panel-Switch |
| 13 | 125-7438 | 2 | Knob-Screw, Thumb | 31 | 92-9698 | 4 | Screw-Shoulder |
| 14 | 32115-15 | 2 | Nut-Push | 32 | 94-8196 | 4 | Washer-Nylon |
| 15 | 144-3510 | 1 | Panel-Air/Heat | 33 | 3256-2 | 4 | Washer-Flat |
| 15:2 | 144-3512 | 1 | Decal, Air/Heat | 34 | 104-7201 | 4 | Nut-HF, NI |
| 16 | 144-3572 | 2 | Control-Rotary, Linear | 35 | 110-5333 | 4 | Grommet-Plug |
| 17 | 122-0150 | 1 | Switch, Rotary | 36 | 144-3573 | 1 | Cable-Control |

Wire Harness Assembly No. 122-2129

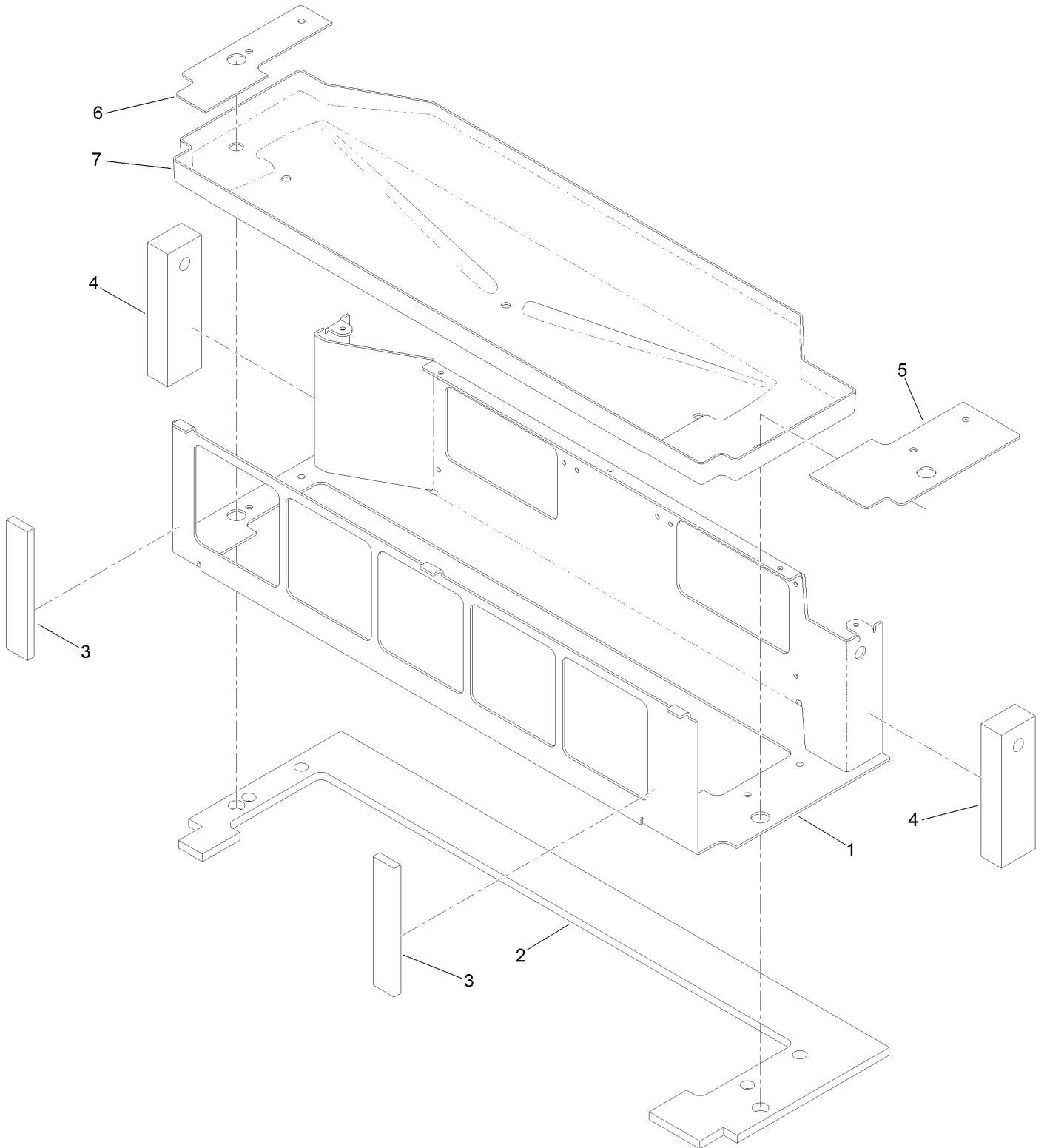


- 8
- 8
- 9
- 14
- 15

Wire Harness Assembly No. 122-2129 (continued)

| <i>Ref.</i> | <i>Part Number</i> | <i>Qty.</i> | <i>Description</i> | <i>Ref.</i> | <i>Part Number</i> | <i>Qty.</i> | <i>Description</i> |
|-------------|--------------------|-------------|--------------------|-------------|--------------------|-------------|--------------------|
| 8 | 109355 | 2 | Fuse-Blade, 15 Amp | 14 | 109101 | 1 | Fuse-Blade, 20 Amp |
| 9 | 109103 | 1 | Fuse-Blade, 30 Amp | 15 | 109102 | 1 | Fuse-Blade, 25 Amp |

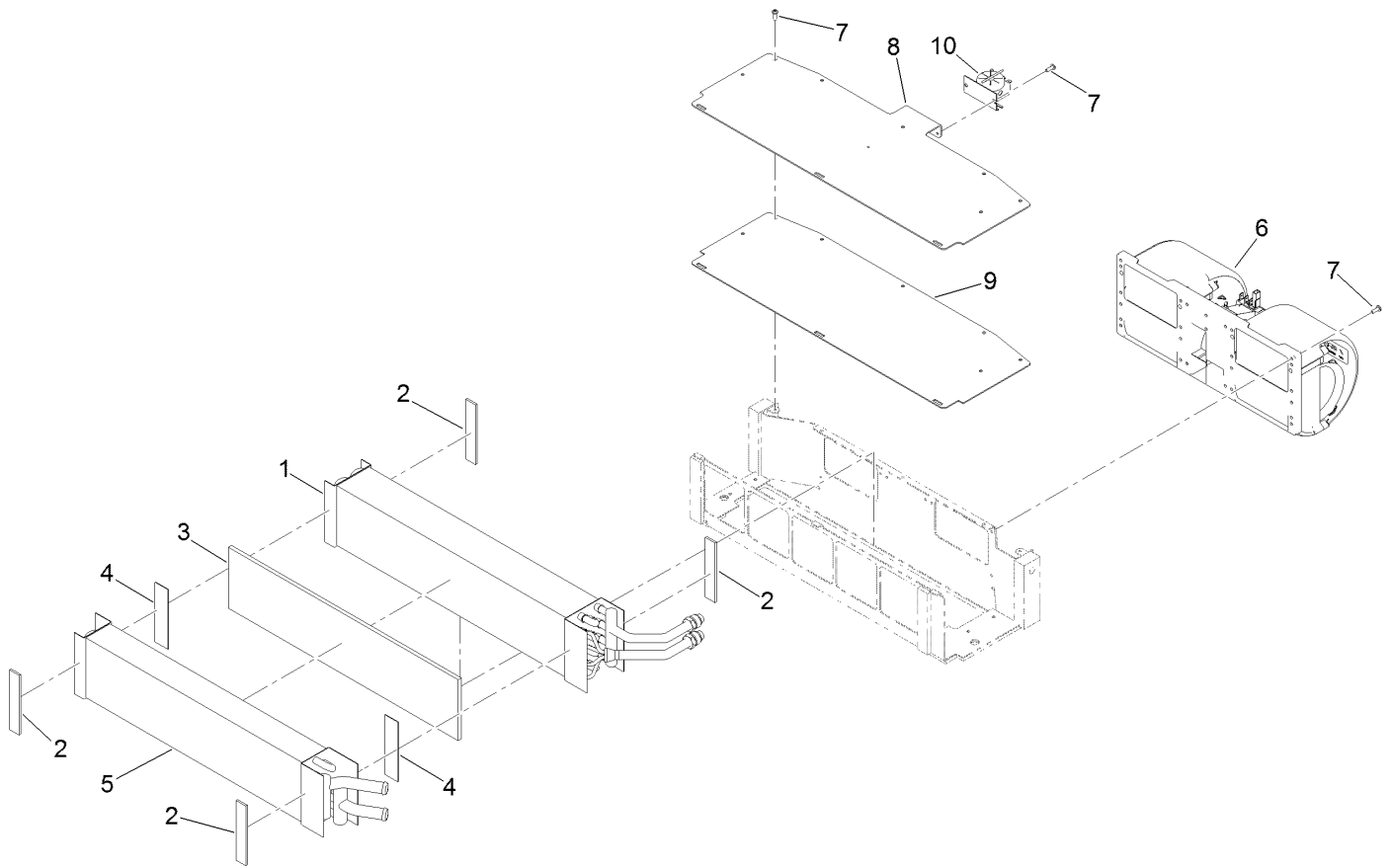
Mixing Box Mounting Bracket and Water Tray Assembly



Mixing Box Mounting Bracket and Water Tray Assembly (continued)

| <i>Ref.</i> | <i>Part Number</i> | <i>Qty.</i> | <i>Description</i> | <i>Ref.</i> | <i>Part Number</i> | <i>Qty.</i> | <i>Description</i> |
|-------------|--------------------|-------------|--------------------|-------------|--------------------|-------------|--------------------------|
| 1 | 130-5655-03 | 1 | Bracket-Mount | 5 | 130-5653 | 1 | Gasket-Mount, LH Bracket |
| 2 | 130-5659 | 1 | Seal-Foam | 6 | 130-5654 | 1 | Gasket-Mount, RH Bracket |
| 3 | 130-5808 | 2 | Seal-Foam, Front | 7 | 130-5660 | 1 | Tray-Water |
| 4 | 130-0602 | 2 | Seal-End | | | | |

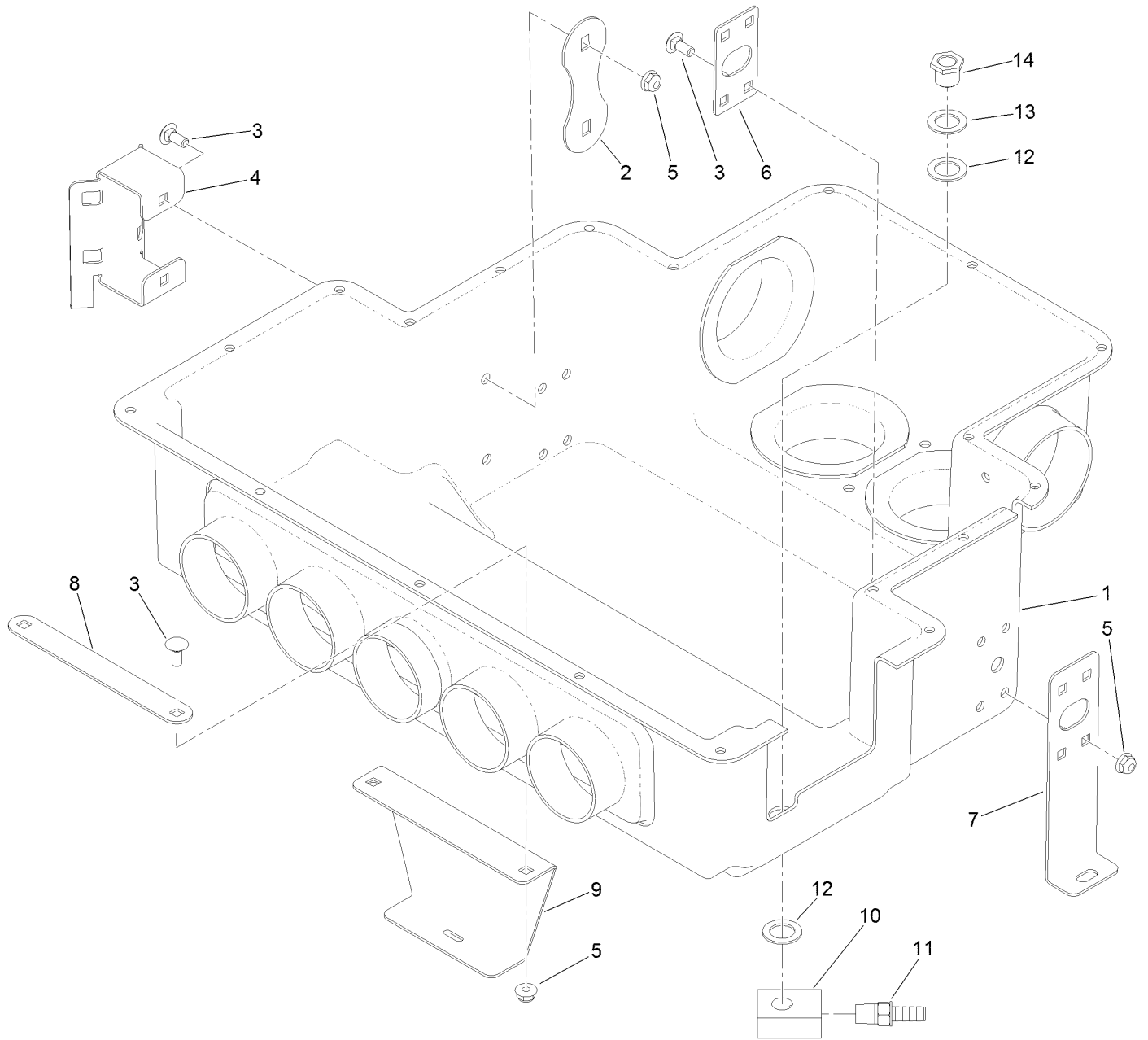
Blower Fan and Evaporator Core Assembly



Blower Fan and Evaporator Core Assembly (continued)

| <i>Ref.</i> | <i>Part Number</i> | <i>Qty.</i> | <i>Description</i> | <i>Ref.</i> | <i>Part Number</i> | <i>Qty.</i> | <i>Description</i> |
|-------------|--------------------|-------------|--------------------|-------------|--------------------|-------------|--------------------------------|
| 1 | 130-5392 | 1 | Core-Evaporator | 7 | 363-8245 | 13 | Screw-TAP |
| 2 | 130-5658 | 4 | Gasket-Coil | 8 | 130-5656-03 | 1 | Cover, Bracket-Mount |
| 3 | 130-5807 | 1 | Foam | 9 | 130-5652 | 1 | Gasket-Mount, Cover Bracket |
| 4 | 130-5806 | 2 | Tape, Double-Sided | 10 | 121-8385 | 1 | Thermostat-Switch, Freeze |
| 5 | 127-9915 | 1 | Core-Heater | | | | |
| 6 | 121-8451 | 1 | Fan-Blower | | | | |

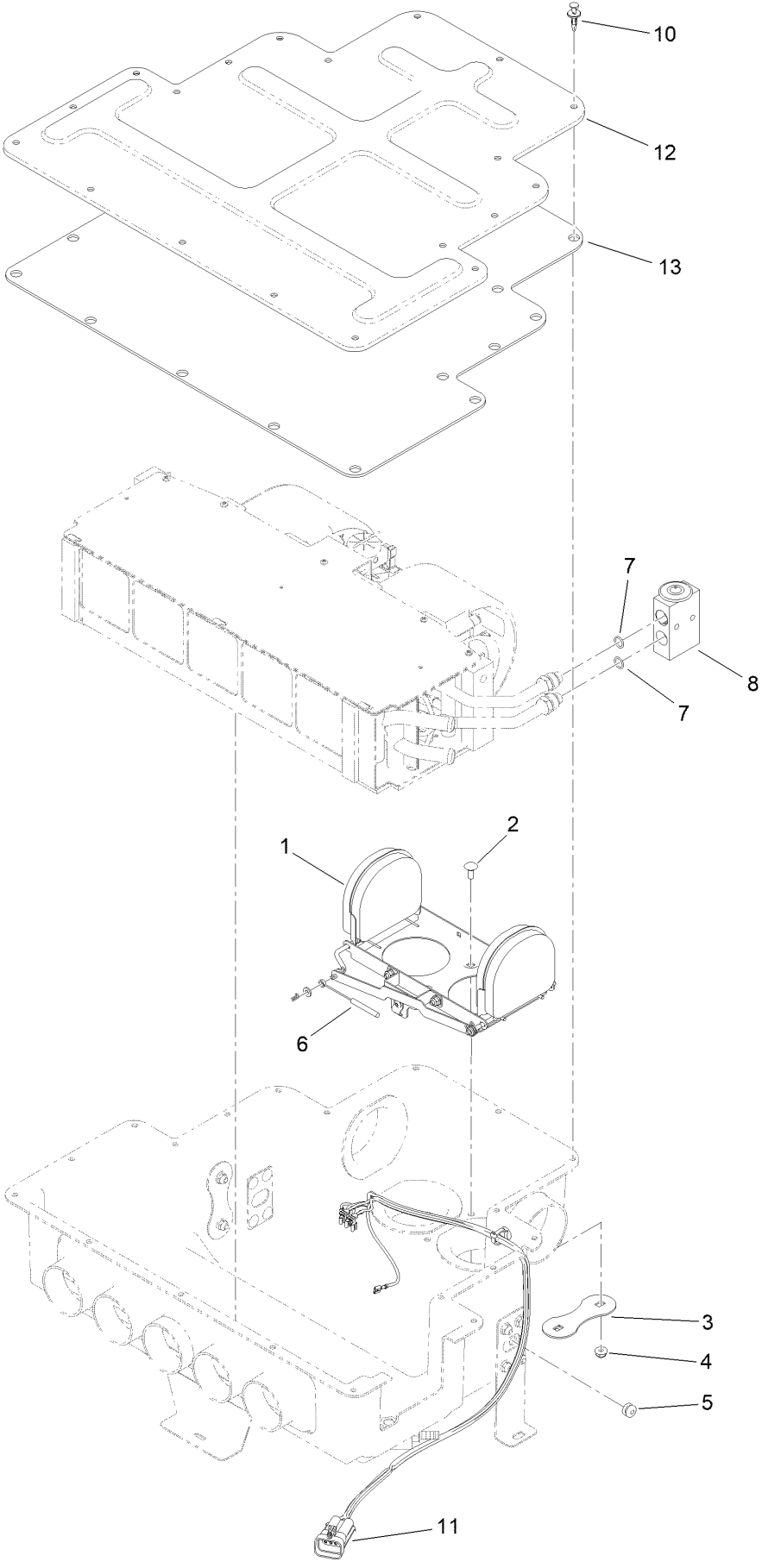
Heat/Air Conditioner Housing Assembly



Heat/Air Conditioner Housing Assembly (continued)

| <i>Ref.</i> | <i>Part Number</i> | <i>Qty.</i> | <i>Description</i> | <i>Ref.</i> | <i>Part Number</i> | <i>Qty.</i> | <i>Description</i> |
|-------------|--------------------|-------------|----------------------|-------------|--------------------|-------------|------------------------|
| 1 | 130-5830 | 1 | Housing-Heat/AC | 8 | 125-7504 | 1 | Plate-Backer, Center |
| 2 | 121-8491 | 1 | Plate-Support | 9 | 130-0554 | 1 | Bracket-Airbox, Center |
| 3 | 3229-11 | 12 | Screw-CARR | 10 | 130-5601 | 2 | Drain-Lower |
| 4 | 121-8490 | 1 | Bracket-Mount, Drier | 11 | 108-0342 | 2 | Fitting-Straight |
| 5 | 104-7201 | 12 | Nut-HF, NI | 12 | 121-6840 | 4 | Washer-Rubber |
| 6 | 130-5834 | 2 | Bracket-Support | 13 | 107-3041 | 2 | Washer-Flat |
| 7 | 130-5821 | 2 | Bracket-Airbox, Side | 14 | 130-0293 | 2 | Drain-Upper |

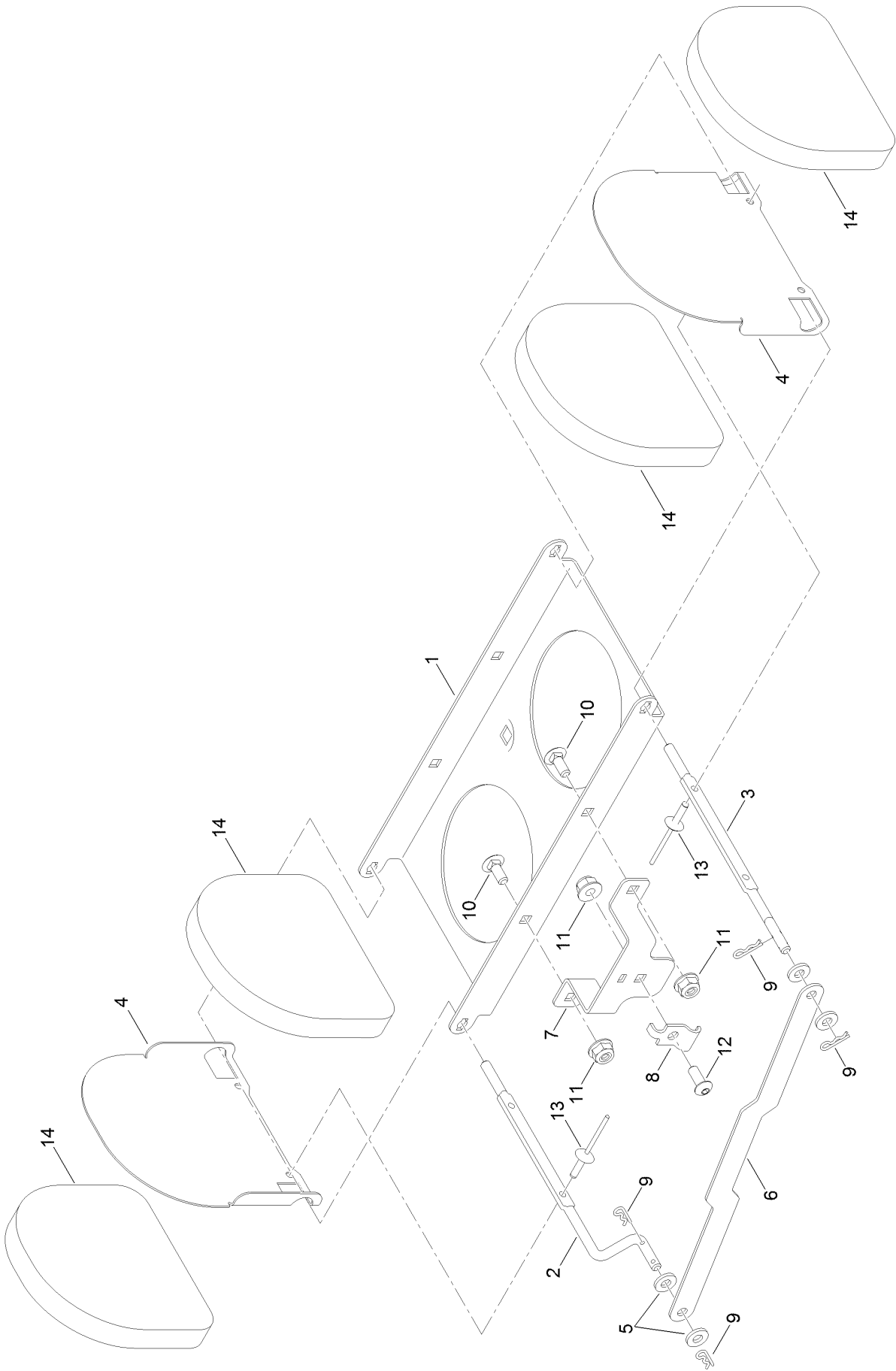
Air Diverter and Expansion Valve Assembly



Air Diverter and Expansion Valve Assembly (continued)

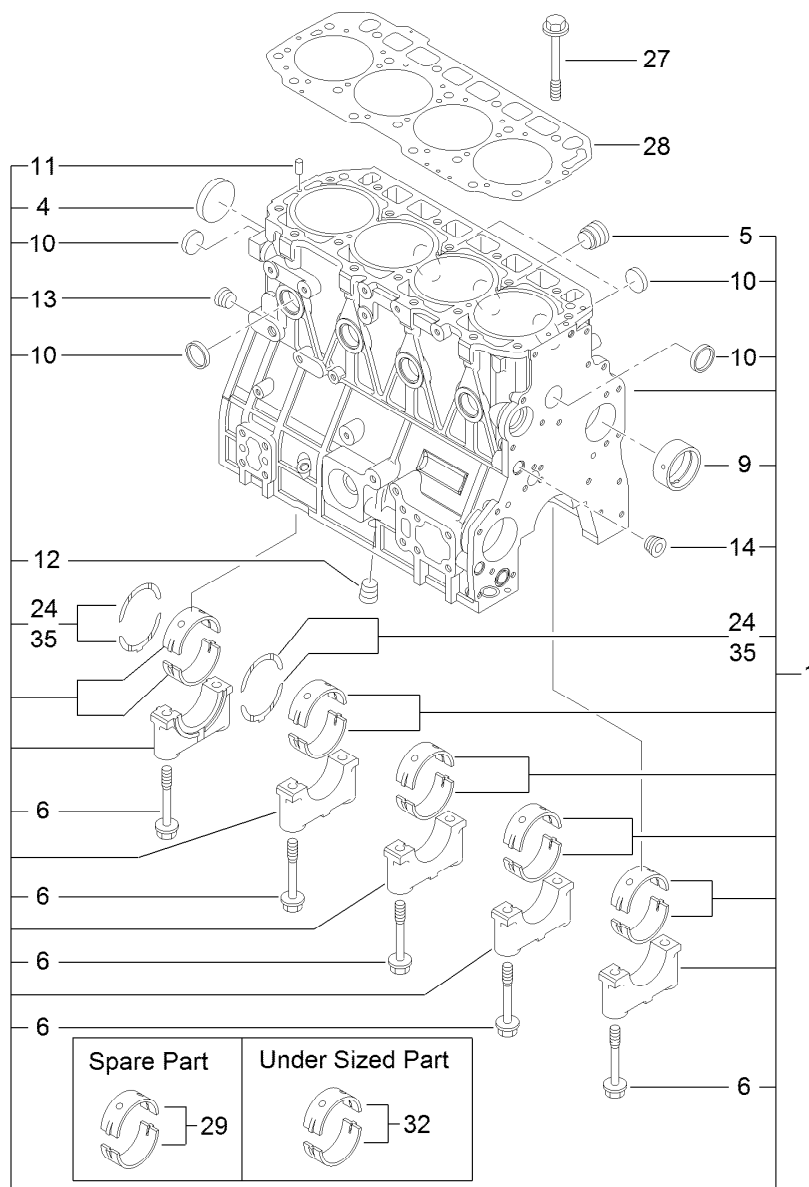
| <i>Ref.</i> | <i>Part Number</i> | <i>Qty.</i> | <i>Description</i> | <i>Ref.</i> | <i>Part Number</i> | <i>Qty.</i> | <i>Description</i> |
|-------------|--------------------|-------------|--------------------|-------------|--------------------|-------------|---------------------------------|
| 1 | 121-8369 | 1 | Air Diverter ASM | 8 | 121-8384 | 1 | Valve-Expansion |
| 2 | 3229-11 | 2 | Screw-CARR | 10 | 125-9622 | 19 | Rivet-Blind |
| 3 | 121-8491 | 1 | Plate-Support | 11 | 122-0153 | 1 | Harness-Wire, Heat/AC Blower |
| 4 | 104-7201 | 2 | Nut-HF, NI | 12 | 121-8449 | 1 | Housing-Ventilation, Upper |
| 5 | 125-7528 | 1 | Grommet-Cable | 13 | 130-5614 | 1 | Insulation-Cover |
| 6 | 144-3574 | 1 | Cable-Control | | | | |
| 7 | 125-9524 | 2 | O-Ring | | | | |

Air Diverter Assembly No. 121-8369



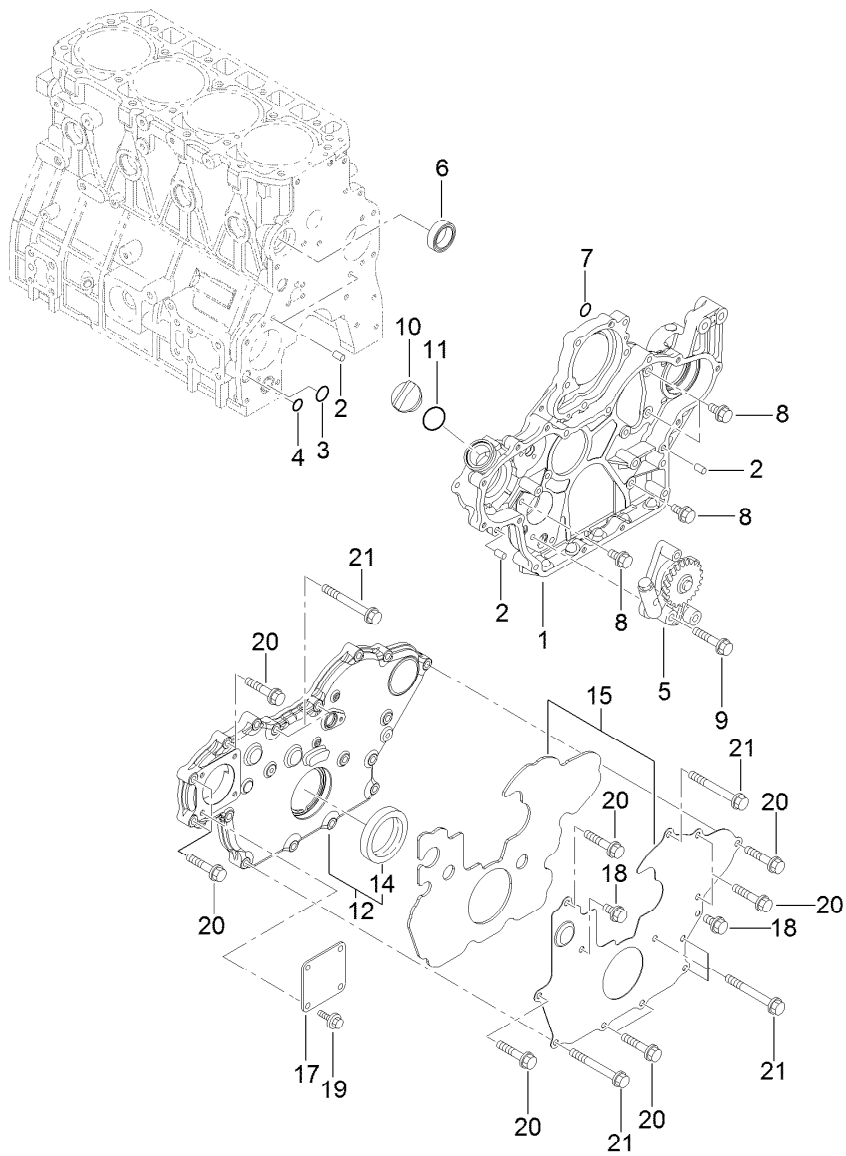
Air Diverter Assembly No. 121-8369 (continued)

| <i>Ref.</i> | <i>Part Number</i> | <i>Qty.</i> | <i>Description</i> | <i>Ref.</i> | <i>Part Number</i> | <i>Qty.</i> | <i>Description</i> |
|-------------|--------------------|-------------|--------------------|-------------|--------------------|-------------|--------------------|
| 1 | 125-9697 | 1 | Base-Mount | 8 | 613385 | 1 | Clamp-Cable |
| 2 | 121-8381 | 1 | Shaft-Baffle, RH | 9 | 108-2992 | 4 | Pin-Hair |
| 3 | 121-8382 | 1 | Shaft-Baffle, LH | 10 | 1-807513 | 2 | Bolt-CARR |
| 4 | 125-9698 | 2 | Baffle-Air | 11 | 120-4578 | 3 | Nut-HF |
| 5 | 3256-51 | 4 | Washer-Flat | 12 | 115-9830 | 1 | Screw-HSBH |
| 6 | 125-9696 | 1 | Link-Baffle | 13 | 3290-271 | 4 | Rivet-Pop |
| 7 | 121-8374 | 1 | Mount-Cable | 14 | 125-9699 | 4 | Damper-Foam |



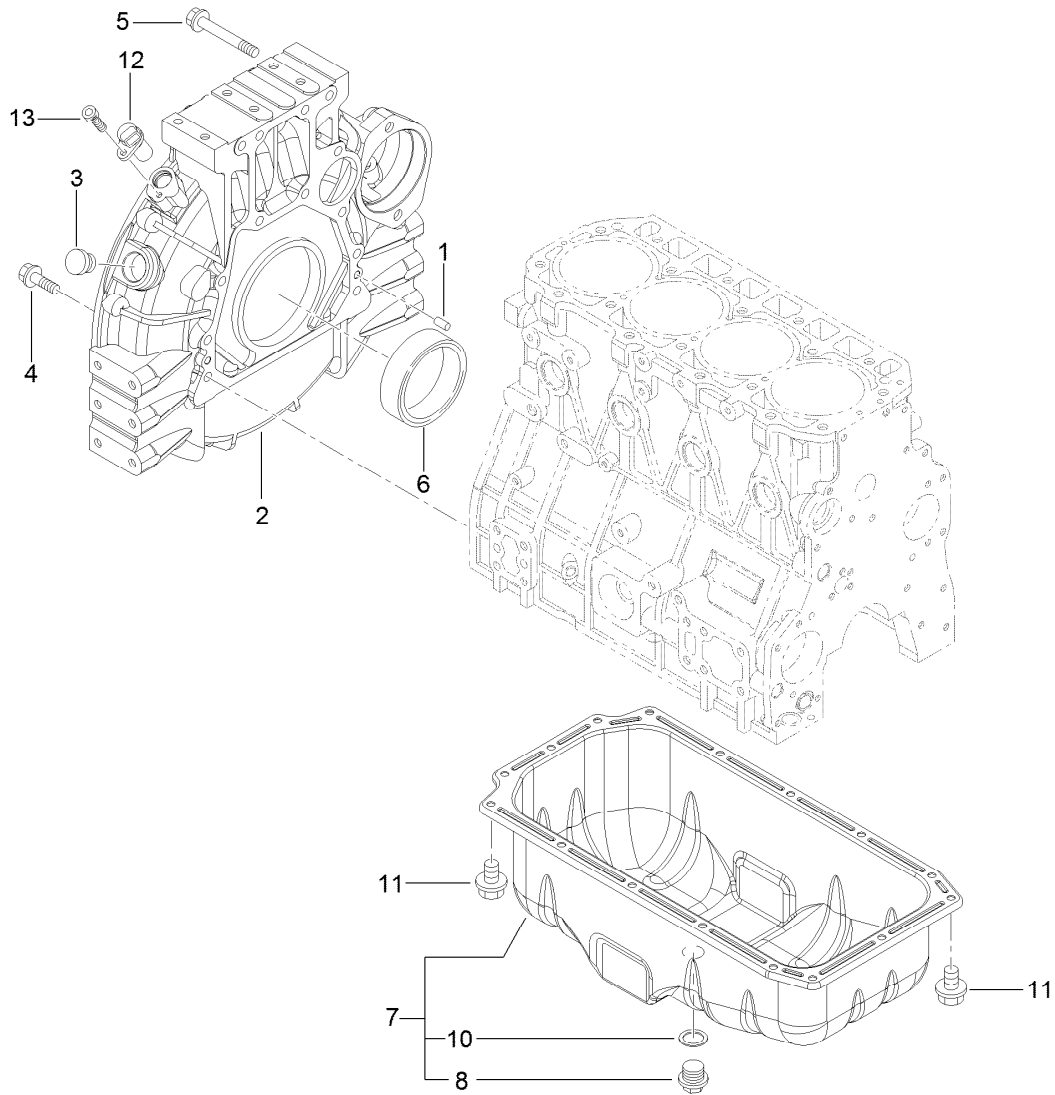
Cylinder Block Assembly

| <i>Ref.</i> | <i>Part Number</i> | <i>Qty.</i> | <i>Description</i> | <i>Ref.</i> | <i>Part Number</i> | <i>Qty.</i> | <i>Description</i> |
|-------------|--------------------|-------------|--------------------|-------------|--------------------|-------------|-----------------------|
| 1 | 133-6785 | 1 | Cylinder Block ASM | 13 | 133-6798 | 1 | Plug |
| 4 | 133-6627 | 1 | Plug | 14 | 133-6798 | 1 | Plug |
| 5 | 125-7170 | 1 | Plug | 24 | 133-6631 | 2 | Bearing-Thrust |
| 6 | 133-6628 | 10 | Bolt | 27 | 133-6626 | 18 | Bolt-Head |
| 9 | 133-6630 | 1 | Bushing-Camshaft | 28 | 133-6700 | 1 | Gasket-Head, Cylinder |
| 10 | 133-2507 | 8 | Plug | 29 | 133-2508 | 5 | Bearing-Main |
| 11 | 125-7184 | 2 | Pin-Spring | 32 | 133-6629 | 5 | Bearing |
| 12 | 133-6798 | 1 | Plug | 35 | 133-6632 | 2 | Bearing-Thrust |



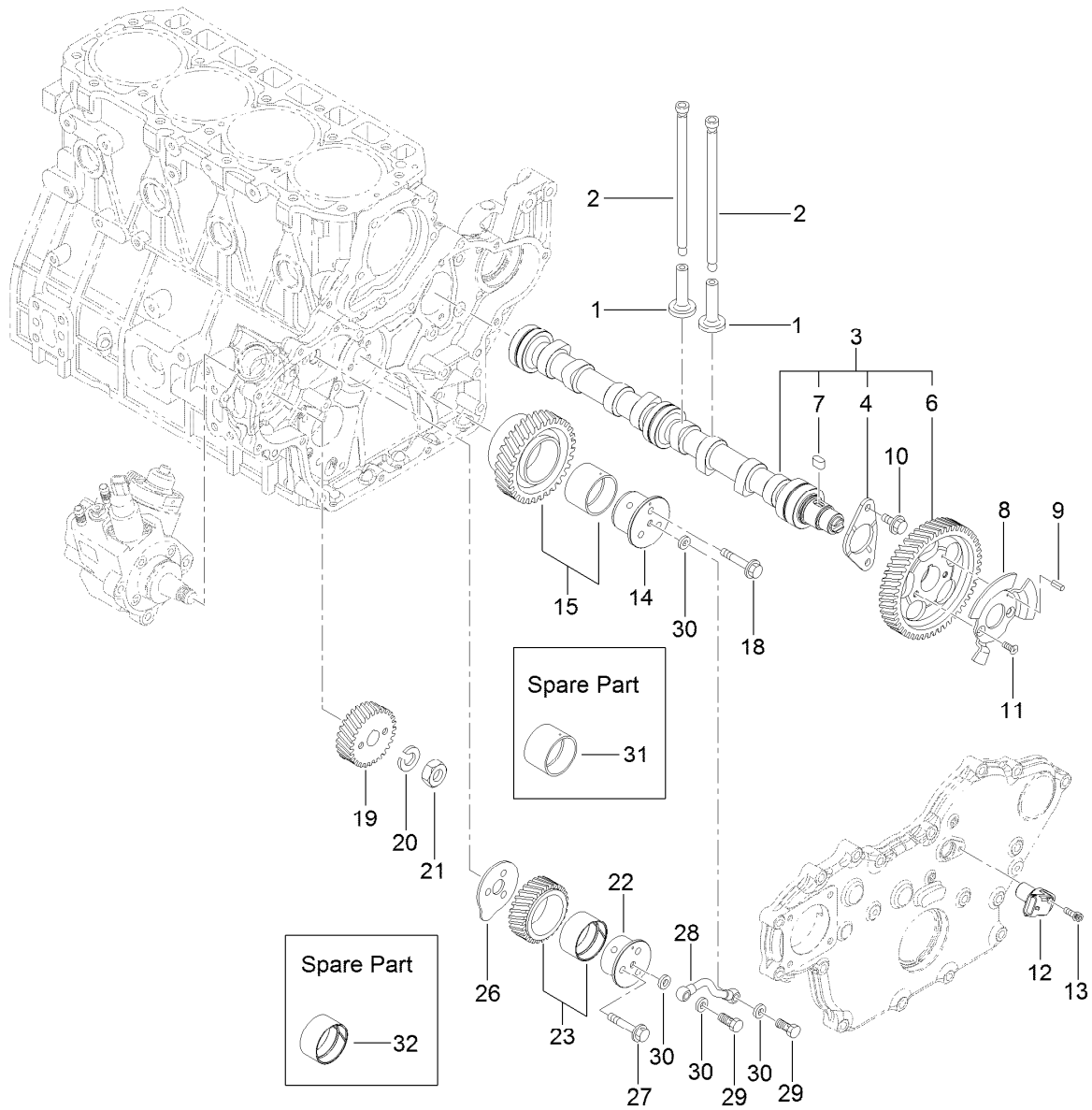
Gear Housing Assembly

| <i>Ref.</i> | <i>Part Number</i> | <i>Qty.</i> | <i>Description</i> | <i>Ref.</i> | <i>Part Number</i> | <i>Qty.</i> | <i>Description</i> |
|-------------|--------------------|-------------|--------------------|-------------|--------------------|-------------|--------------------|
| 1 | 133-6754 | 1 | Case-Gear | 11 | 125-7197 | 1 | O-Ring |
| 2 | 125-6995 | 4 | Pin | 12 | 133-6701 | 1 | Gearcase Cover ASM |
| 3 | 133-6653 | 1 | O-Ring | 14 | 133-6669 | 1 | Seal-Oil |
| 4 | 133-6654 | 1 | O-Ring | 15 | 133-6703 | 1 | Gearcase Cover ASM |
| 5 | 133-6664 | 1 | Oil Pump ASM | 17 | 125-6977 | 1 | Cover |
| 6 | 133-6672 | 1 | Gasket-CW P, Out | 18 | 125-7214 | 2 | Bolt |
| 7 | 93-0400 | 1 | O-Ring | 19 | 125-7214 | 4 | Bolt |
| 8 | 125-7214 | 4 | Bolt | 20 | 125-7218 | 10 | Bolt |
| 9 | 125-7219 | 3 | Bolt | 21 | 133-2492 | 7 | Bolt |
| 10 | 125-6972 | 1 | Cover-Filler | | | | |



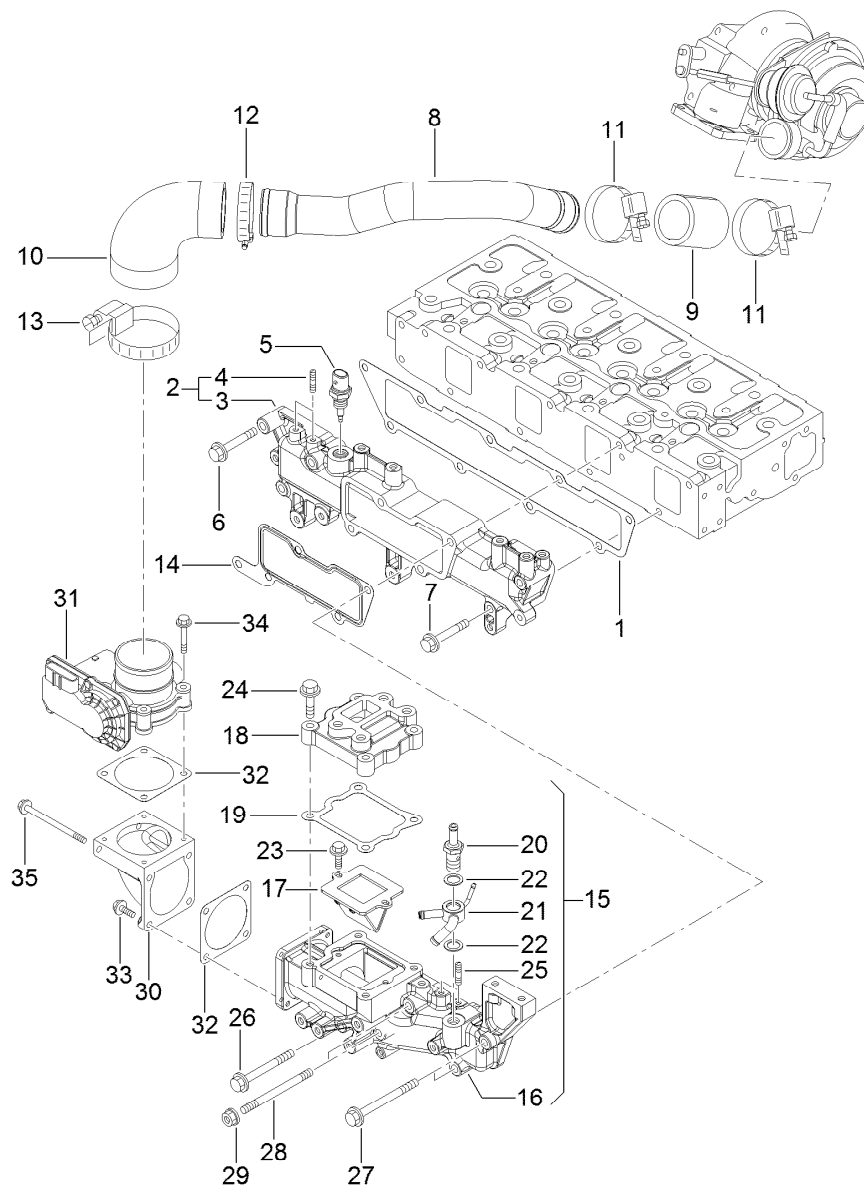
Flywheel Housing and Oil Sump Assembly

| Ref. | Part Number | Qty. | Description |
|------|-------------|------|----------------------|
| 1 | 125-6995 | 2 | Pin |
| 2 | 133-6702 | 1 | Housing-Flywheel |
| 3 | 125-6910 | 1 | Cap |
| 4 | 133-2499 | 9 | Bolt |
| 5 | 133-2500 | 4 | Bolt |
| 6 | 133-6668 | 1 | Seal |
| 7 | 133-6691 | 1 | Oil Sump ASM |
| 8 | 125-6912 | 1 | Plug-Drain |
| 10 | 125-7177 | 1 | Washer-Seal |
| 11 | 125-7212 | 16 | Bolt |
| 12 | 127-3062 | 1 | Sensor-Rev, Flywheel |
| 13 | 127-3184 | 1 | Bolt |



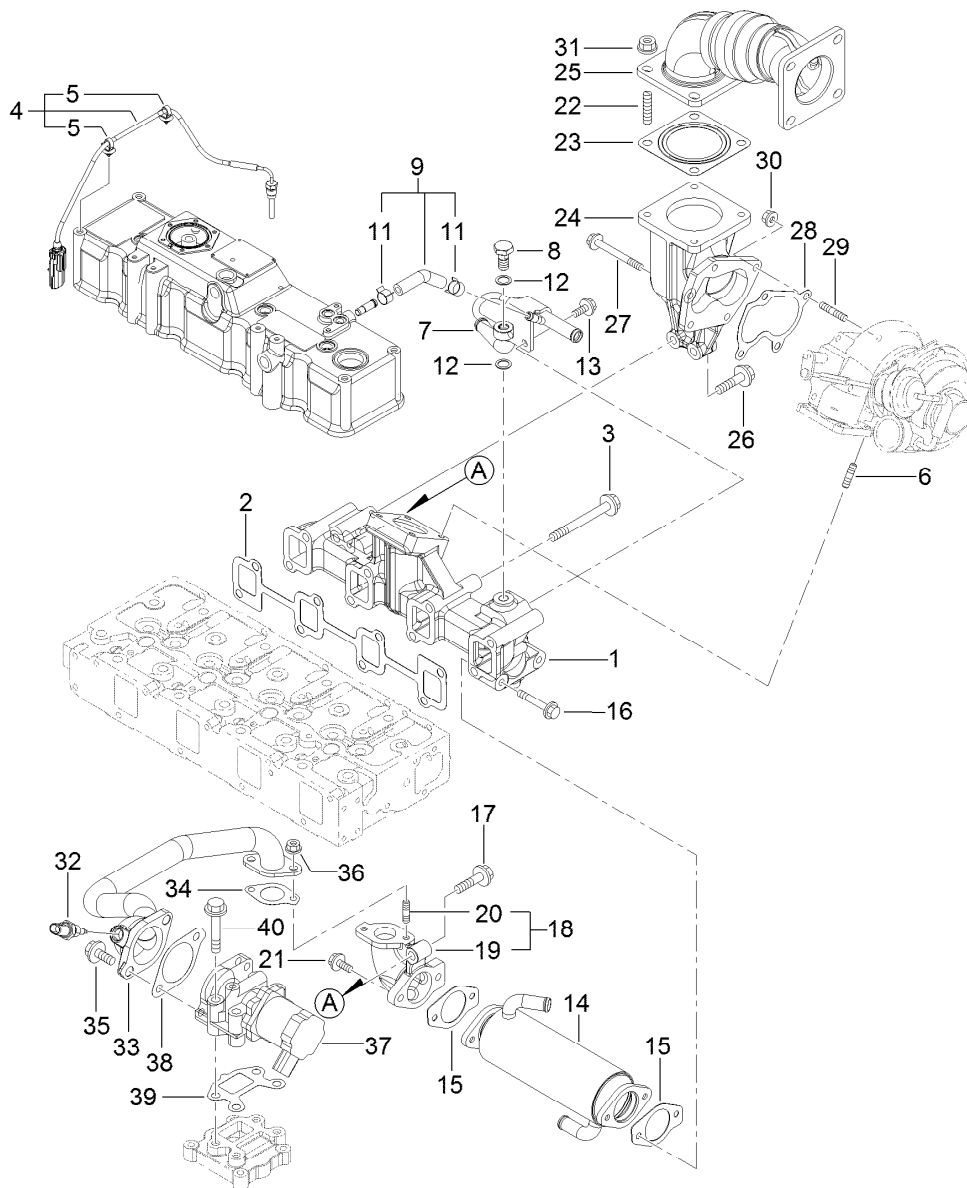
Camshaft and Driving Gear Assembly

| Ref. | Part Number | Qty. | Description | Ref. | Part Number | Qty. | Description |
|------|-------------|------|--------------------|------|-------------|------|---------------------|
| 1 | 125-7016 | 8 | Tappet | 18 | 125-7220 | 3 | Bolt |
| 2 | 133-6644 | 8 | Rod-Push | 19 | 133-6737 | 1 | Gear-Pump, Supply |
| 3 | 133-6726 | 1 | Cam Shaft ASM | 20 | 127-3167 | 1 | Washer-Spring |
| 4 | 125-7008 | 1 | Metal-Thrust | 21 | 127-3185 | 1 | Nut-Lock |
| 6 | 133-6725 | 1 | Gear-Camshaft | 22 | 133-6732 | 1 | Shaft-Gear B, Idle |
| 7 | 125-7185 | 1 | Key | 23 | 133-6734 | 1 | Idle Gear B ASM |
| 8 | 133-6727 | 1 | Pulser-Gear, Cam | 26 | 133-6735 | 1 | Plate-Shaft B, Idle |
| 9 | 125-7182 | 1 | Pin-Spring | 27 | 125-7219 | 3 | Bolt |
| 10 | 125-7213 | 2 | Bolt | 28 | 133-6736 | 1 | L O Pipe ASM |
| 11 | 133-2504 | 2 | Screw | 29 | 133-6600 | 2 | Bolt-Joint, Pipe |
| 12 | 127-3054 | 1 | Sensor-Rev, Gear | 30 | 125-7174 | 4 | Washer-Seal |
| 13 | 127-3184 | 1 | Bolt | 31 | 133-6624 | 1 | Bushing-Gear, Idle |
| 14 | 133-6731 | 1 | Shaft-Gear A, Idle | 32 | 133-6733 | 1 | Bushing |
| 15 | 133-6652 | 1 | Idle Gear ASM | | | | |



Suction Manifold Assembly

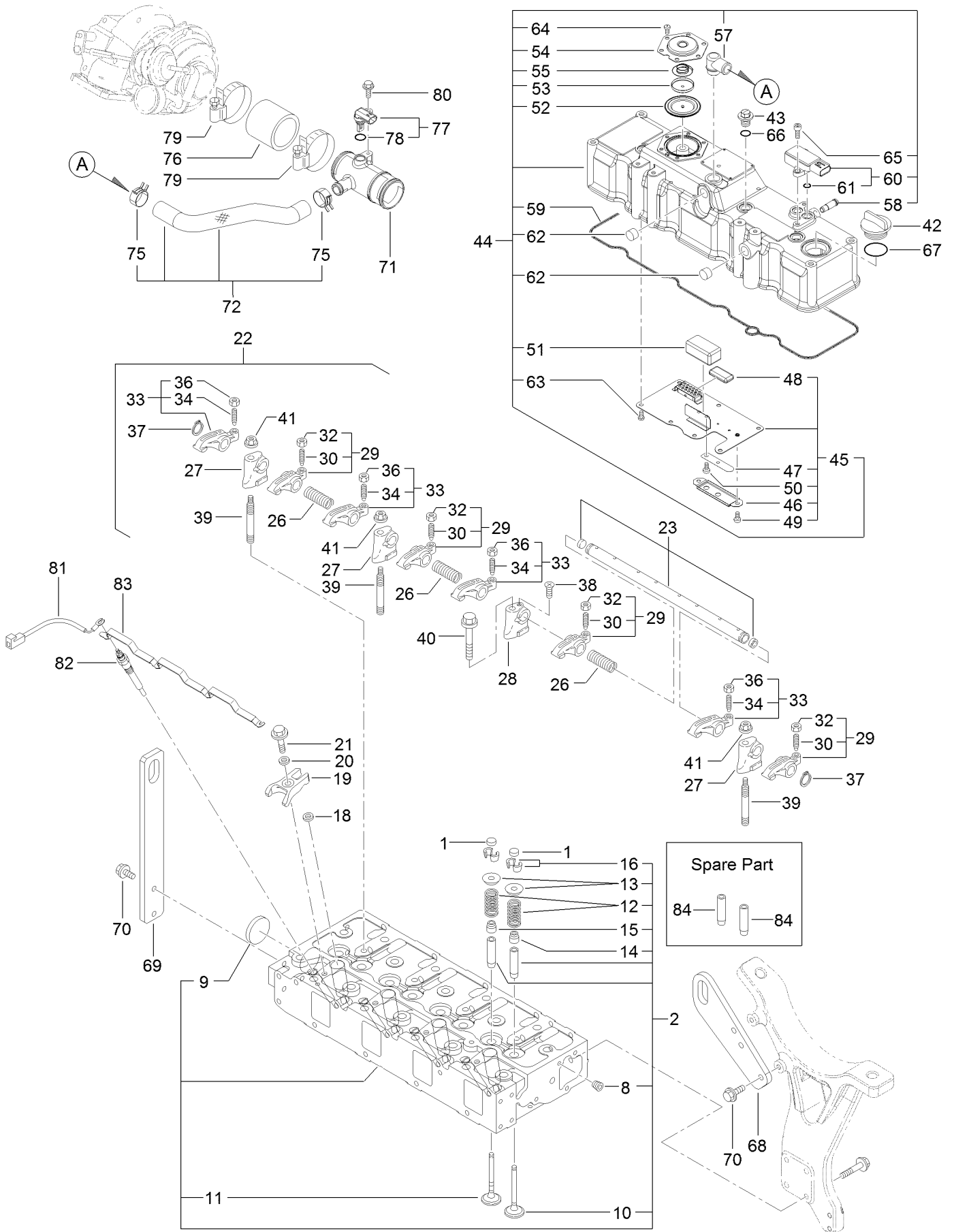
| Ref. | Part Number | Qty. | Description | Ref. | Part Number | Qty. | Description |
|------|-------------|------|----------------------|------|-------------|------|------------------------|
| 1 | 133-6708 | 1 | Gasket-Manifold | 19 | 133-6717 | 1 | Gasket-V Spacer, E G R |
| 2 | 133-6758 | 1 | Intake Manifold ASM | 20 | 127-3080 | 1 | Joint-Hose |
| 3 | 133-6757 | 1 | Manifold-Intake, Air | 21 | 133-6743 | 1 | Joint-Hose |
| 4 | 127-3180 | 2 | Stud | 22 | 127-3166 | 2 | Washer-Seal |
| 5 | 127-3031 | 1 | Sensor-Temp, Air | 23 | 125-7207 | 2 | Bolt |
| 6 | 125-7219 | 1 | Bolt | 24 | 125-7217 | 4 | Bolt |
| 7 | 125-7221 | 4 | Bolt | 25 | 127-3180 | 2 | Stud |
| 8 | 133-6764 | 1 | Duct-Intake | 26 | 127-3178 | 1 | Bolt |
| 9 | 127-3096 | 1 | Joint-Rubber | 27 | 133-2493 | 2 | Bolt |
| 10 | 133-6765 | 1 | Joint-Hose | 28 | 133-2501 | 2 | Stud |
| 11 | 127-3170 | 2 | Clamp-Hose | 29 | 125-7229 | 2 | Nut |
| 12 | 125-7190 | 1 | Clamp-Hose | 30 | 127-3035 | 1 | Bend-Inlet |
| 13 | 127-3171 | 1 | Clamp-Hose | 31 | 127-3036 | 1 | Body-Throttle |
| 14 | 133-6709 | 1 | Gasket-Collector | 32 | 127-3037 | 2 | Gasket-Throttle |
| 15 | 133-6760 | 1 | Collector ASM | 33 | 125-7209 | 2 | Bolt |
| 16 | 133-6759 | 1 | Collector | 34 | 125-7211 | 4 | Bolt |
| 17 | 133-6762 | 1 | Valve-Reed | 35 | 127-3177 | 2 | Bolt |
| 18 | 133-6716 | 1 | Spacer-Valve, E G R | | | | |



Exhaust Manifold Assembly

| Ref. | Part Number | Qty. | Description | Ref. | Part Number | Qty. | Description |
|------|-------------|------|------------------------------|------|-------------|------|------------------------|
| 1 | 133-6761 | 1 | Manifold-Exhaust | 21 | 125-7595 | 2 | Bolt |
| 2 | 133-6710 | 1 | Gasket-Manifold | 22 | 127-2984 | 4 | Stud |
| 3 | 133-6791 | 8 | Bolt | 23 | 127-2987 | 1 | Gasket-Silencer |
| 4 | 133-6718 | 1 | Sensor-Temp, Exhaust | 24 | 133-6697 | 1 | Pipe-Exhaust |
| 5 | 127-3087 | 2 | Band-Clip | 25 | 133-6788 | 1 | Pipe-Exhaust |
| 6 | 125-7043 | 4 | Stud | 26 | 133-6792 | 2 | Bolt |
| 7 | 133-6711 | 1 | Pipe-Pressure, Exhaust | 27 | 133-6606 | 1 | Bolt |
| 8 | 127-3039 | 1 | Bolt-Joint, Pipe | 28 | 133-6619 | 1 | Gasket |
| 9 | 133-6712 | 1 | Exhaust Pressure Hose ASM | 29 | 125-6906 | 3 | Stud |
| 11 | 127-3041 | 2 | Clip-Hose | 30 | 125-7229 | 3 | Nut |
| 12 | 127-3174 | 2 | Gasket | 31 | 125-7230 | 4 | Nut |
| 13 | 125-7214 | 2 | Bolt | 32 | 127-3047 | 1 | Sensor-Gas Temp, E G R |
| 14 | 133-6713 | 1 | Cooler-E G R | 33 | 133-6719 | 1 | E G R Pipe ASM |
| 15 | 133-6698 | 2 | Gasket-Cooler, E G R | 34 | 127-3016 | 1 | Gasket |
| 16 | 133-6714 | 2 | Bolt | 35 | 133-2496 | 2 | Bolt |
| 17 | 133-6792 | 1 | Bolt | 36 | 125-7229 | 2 | Nut |
| 18 | 133-6720 | 1 | E G R-C Out Bend ASM | 37 | 133-6722 | 1 | Valve-E G R |
| 19 | 133-6721 | 1 | Bend-Out, E G R-C | 38 | 133-6723 | 1 | Gasket-In, E G R-V |
| 20 | 125-7043 | 2 | Stud | 39 | 133-6724 | 1 | Gasket-Out, E G R-V |
| | | | | 40 | 93-0479 | 4 | Bolt |

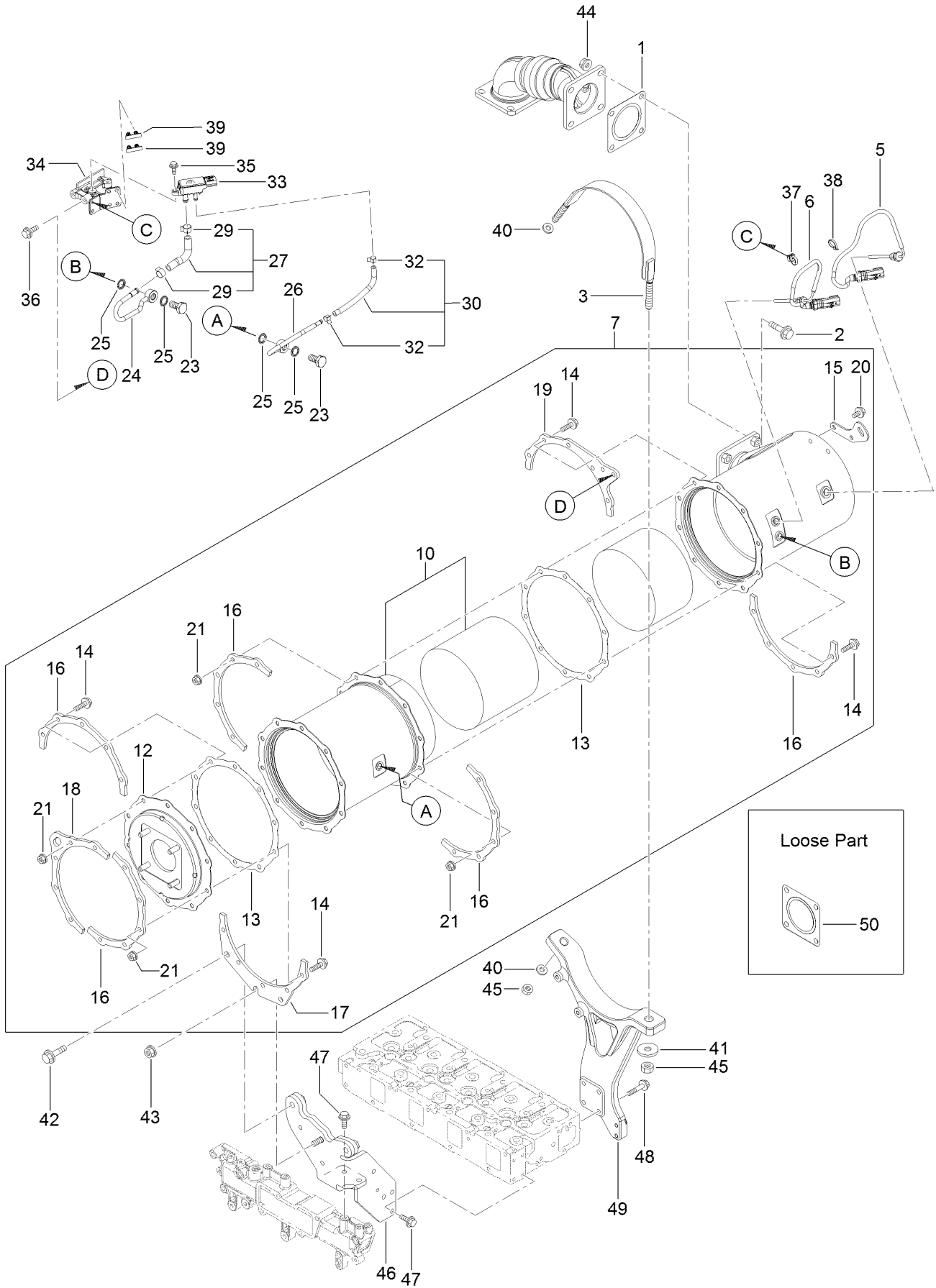
Cylinder Head and Cover Assembly



Cylinder Head and Cover Assembly (continued)

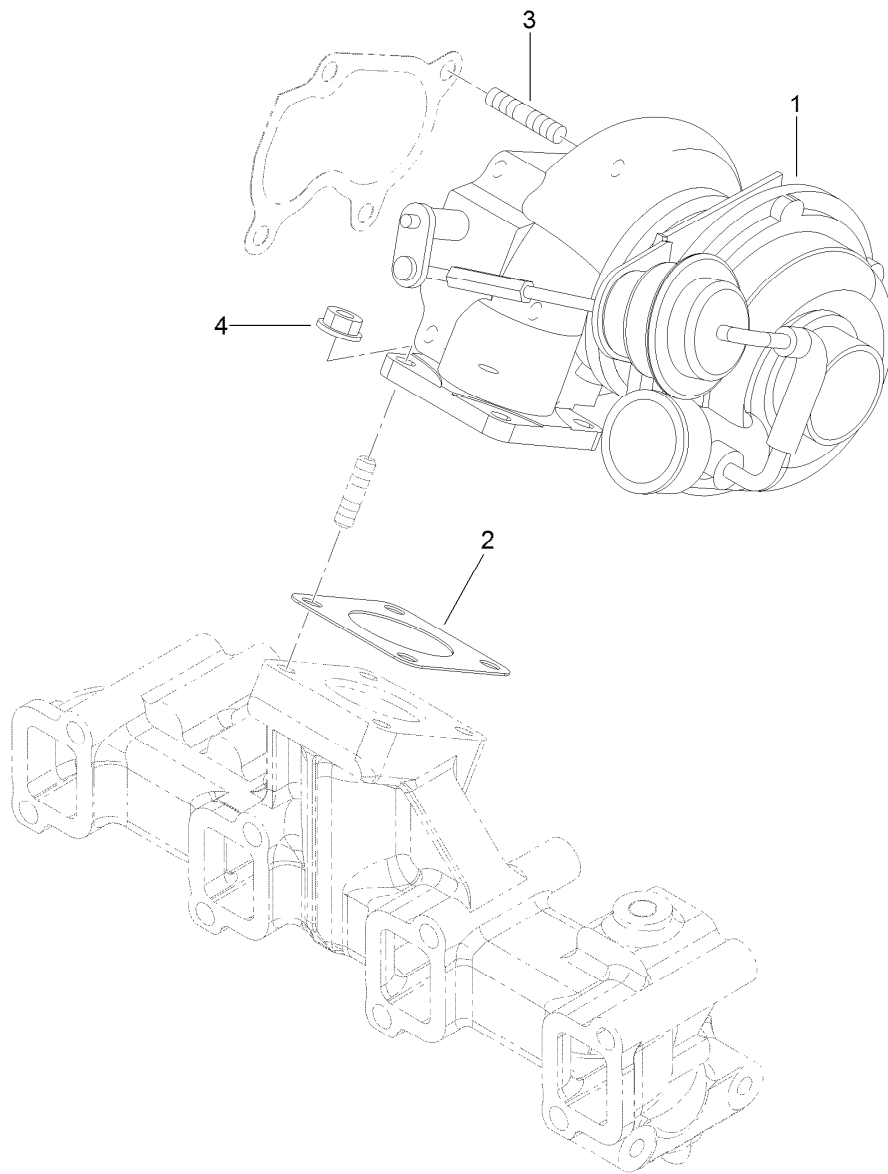
| <i>Ref.</i> | <i>Part Number</i> | <i>Qty.</i> | <i>Description</i> | <i>Ref.</i> | <i>Part Number</i> | <i>Qty.</i> | <i>Description</i> |
|-------------|--------------------|-------------|-------------------------|-------------|--------------------|-------------|-------------------------|
| 1 | 127-2996 | 8 | Cap-Valve | 47 | 133-6696 | 1 | Spring-Plate |
| 2 | 133-6756 | 1 | Cylinder Head ASM | 48 | 133-6661 | 1 | Baffle-Breather |
| 8 | 133-6797 | 1 | Plug | 49 | 133-2502 | 2 | Screw |
| 9 | 125-7240 | 1 | Plug | 50 | 133-2505 | 1 | Screw |
| 10 | 133-6633 | 4 | Valve-Intake | 51 | 125-7118 | 1 | Baffle-Breather |
| 11 | 133-6634 | 4 | Valve-Exhaust | 52 | 125-6959 | 1 | Diaphragm |
| 12 | 133-6635 | 8 | Spring-Valve | 53 | 125-6960 | 1 | Plate |
| 13 | 127-3013 | 8 | Retainer-Spring | 54 | 125-6961 | 1 | Plate-Breather |
| 14 | 127-2986 | 4 | Seal-Stem, Valve | 55 | 125-6962 | 1 | Spring-Diaphragm |
| 15 | 127-3027 | 4 | Seal-Stem, Valve | 57 | 133-6603 | 1 | Elbow |
| 16 | 127-3186 | 8 | Pin-Cotter | 58 | 127-3026 | 1 | Joint |
| 18 | 127-3021 | 4 | Gasket-Injector | 59 | 132-4907 | 1 | Gasket-Cover, Head |
| 19 | 133-6707 | 4 | Retainer-Injector | 60 | 127-3029 | 1 | Sensor-Pressure |
| 20 | 127-2980 | 4 | Washer-Injector | 61 | 127-3032 | 2 | O Ring-Sensor, Pressure |
| 21 | 125-7217 | 4 | Bolt | 62 | 125-6913 | 2 | Plug |
| 22 | 133-6636 | 1 | Arm Support ASM | 63 | 125-7186 | 7 | Screw |
| 23 | 133-6637 | 1 | Rocker Shaft ASM | 64 | 125-7186 | 6 | Screw |
| 26 | 133-6638 | 3 | Spring-Arm, Rocker | 65 | 127-3184 | 2 | Bolt |
| 27 | 133-6639 | 3 | Support-Arm, Rocker | 66 | 93-0418 | 3 | O-Ring |
| 28 | 133-6640 | 1 | Support-Arm, Rocker | 67 | 125-7197 | 1 | O-Ring |
| 29 | 133-6642 | 4 | Arm-Rocker | 68 | 133-6779 | 1 | Lifter-Engine |
| 30 | 125-7013 | 4 | Screw-Adjust, Valve | 69 | 133-6695 | 1 | Lifter |
| 32 | 125-7014 | 4 | Nut | 70 | 125-7595 | 4 | Bolt |
| 33 | 133-6643 | 4 | Arm-Rocker | 71 | 127-3128 | 1 | Joint-Breather |
| 34 | 125-7013 | 4 | Screw-Adjust, Valve | 72 | 133-6787 | 1 | Breather Hose ASM |
| 36 | 125-7014 | 4 | Nut | 75 | 125-7040 | 2 | Clip-Hose |
| 37 | 133-6794 | 2 | Ring | 76 | 127-3133 | 1 | Hose-Intake |
| 38 | 133-2503 | 1 | Screw | 77 | 127-3030 | 1 | Sensor-Temp, Air |
| 39 | 133-6641 | 3 | Stud | 78 | 127-3033 | 1 | O-Ring |
| 40 | 133-2498 | 1 | Bolt | 79 | 125-7190 | 2 | Clamp-Hose |
| 41 | 125-7230 | 3 | Nut | 80 | 125-7207 | 1 | Bolt |
| 42 | 125-6972 | 1 | Cover-Filler | 81 | 131-2704 | 1 | Harness-Wire |
| 43 | 125-6974 | 3 | Knob | 82 | 127-2991 | 4 | Plug-Glow |
| 44 | 133-6755 | 1 | Cylinder Head Cover ASM | 83 | 133-6750 | 1 | Connector-Plug, Glow |
| 45 | 133-6704 | 1 | Plate-Baffle | 84 | 127-2997 | 8 | Guide-Valve |
| 46 | 133-6705 | 1 | Cover-Plate, Spring | | | | |

Diesel Particulate Filter Assembly



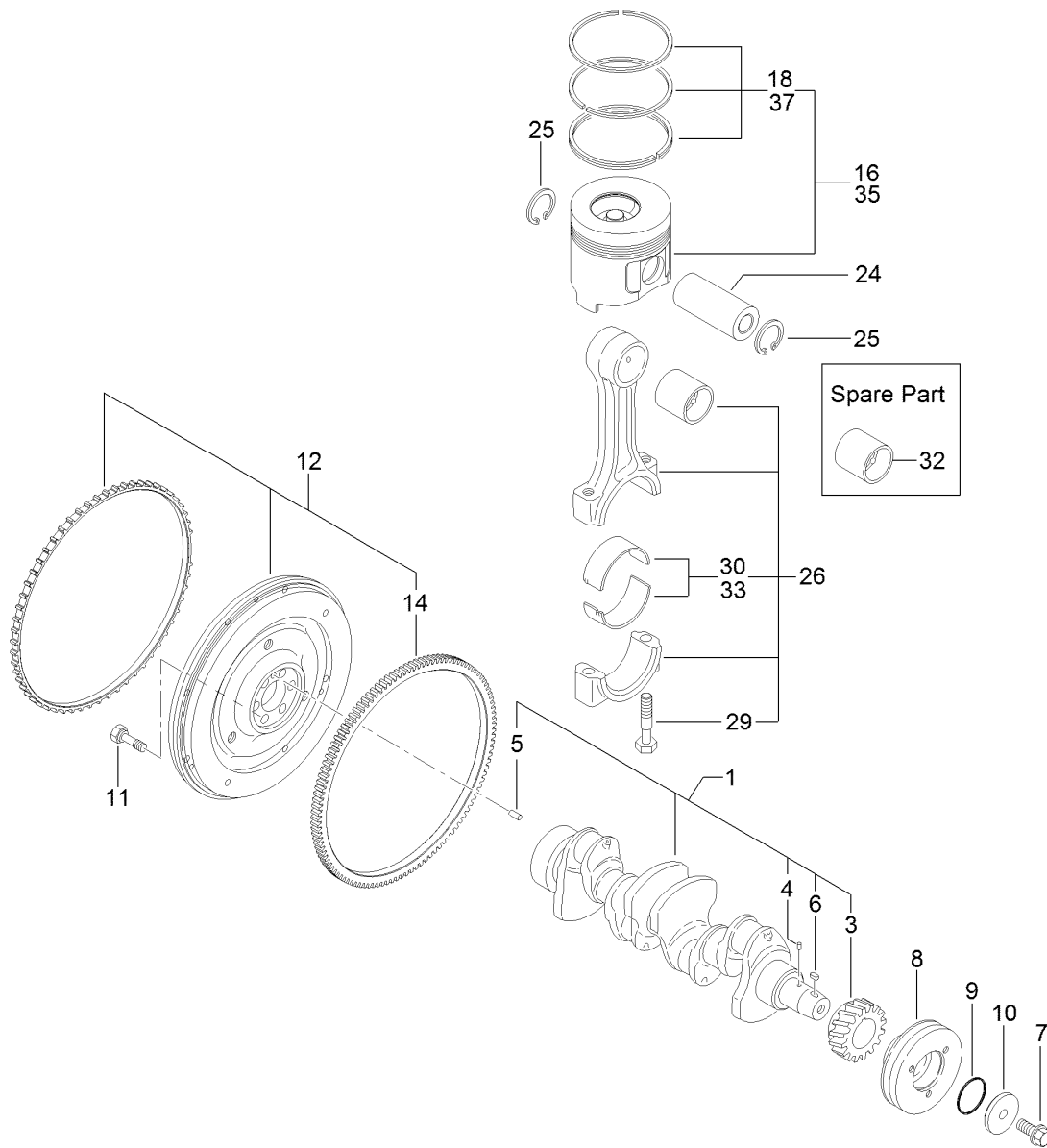
Diesel Particulate Filter Assembly (continued)

| <i>Ref.</i> | <i>Part Number</i> | <i>Qty.</i> | <i>Description</i> | <i>Ref.</i> | <i>Part Number</i> | <i>Qty.</i> | <i>Description</i> |
|-------------|--------------------|-------------|------------------------------|-------------|--------------------|-------------|------------------------------|
| 1 | 127-2987 | 1 | Gasket-Silencer | 29 | 127-3057 | 2 | Clip-Hose |
| 2 | 133-6793 | 4 | Bolt | 30 | 127-3059 | 1 | Exhaust Pressure Hose ASM |
| 3 | 133-6783 | 1 | Band-D P F | 32 | 127-3058 | 2 | Clip-Hose |
| 5 | 127-4764 | 1 | Sensor-Temp, Exhaust | 33 | 127-3060 | 1 | Sensor-Pressure |
| 6 | 127-4765 | 1 | Sensor-Temp, Exhaust | 34 | 133-6773 | 1 | Bracket-Sensor |
| 7 | 133-6786 | 1 | D P F ASM | 35 | 125-7208 | 2 | Bolt |
| 10 | 130-8348R | 1 | Case-Soot Filter, Recon | 36 | 125-7215 | 2 | Bolt |
| 10 | 130-8348 | 1 | Case-Soot Filter | 37 | 127-3087 | 1 | Band-Clip |
| 12 | 133-6781 | 1 | Flange-Outlet | 38 | 127-3124 | 1 | Band |
| 13 | 127-3162 | 2 | Gasket-D P F | 39 | 127-3088 | 2 | Clip-Connector |
| 14 | 127-3055 | 20 | Bolt | 40 | 93-0417 | 2 | Washer |
| 15 | 127-3144 | 1 | Lifter-D P F | 41 | 93-0417 | 1 | Washer |
| 16 | 127-3145 | 5 | Stiffener-D P F, A | 42 | 133-2497 | 2 | Bolt |
| 17 | 133-6728 | 1 | Stiffener-D P F, B | 43 | 125-7230 | 1 | Nut |
| 18 | 127-3147 | 1 | Stiffener-D P F, C | 44 | 125-7230 | 4 | Nut |
| 19 | 133-6699 | 1 | Stiffener-D P F, C | 45 | 133-2506 | 2 | Nut |
| 20 | 125-7213 | 2 | Bolt | 46 | 133-6774 | 1 | Stay-D P F |
| 21 | 125-7229 | 20 | Nut | 47 | 125-7595 | 5 | Bolt |
| 23 | 127-3039 | 2 | Bolt-Joint, Pipe | 48 | 133-6715 | 4 | Bolt |
| 24 | 133-6775 | 1 | Exhaust Pressure Pipe ASM | 49 | 133-6782 | 1 | Stay-D P F |
| 25 | 127-3056 | 4 | Gasket-Sensor | 50 | 127-2987 | 1 | Gasket-Silencer |
| 26 | 133-6776 | 1 | Exhaust Pressure Pipe ASM | | | | |
| 27 | 133-6777 | 1 | Exhaust Pressure Hose ASM | | | | |



Turbine Assembly

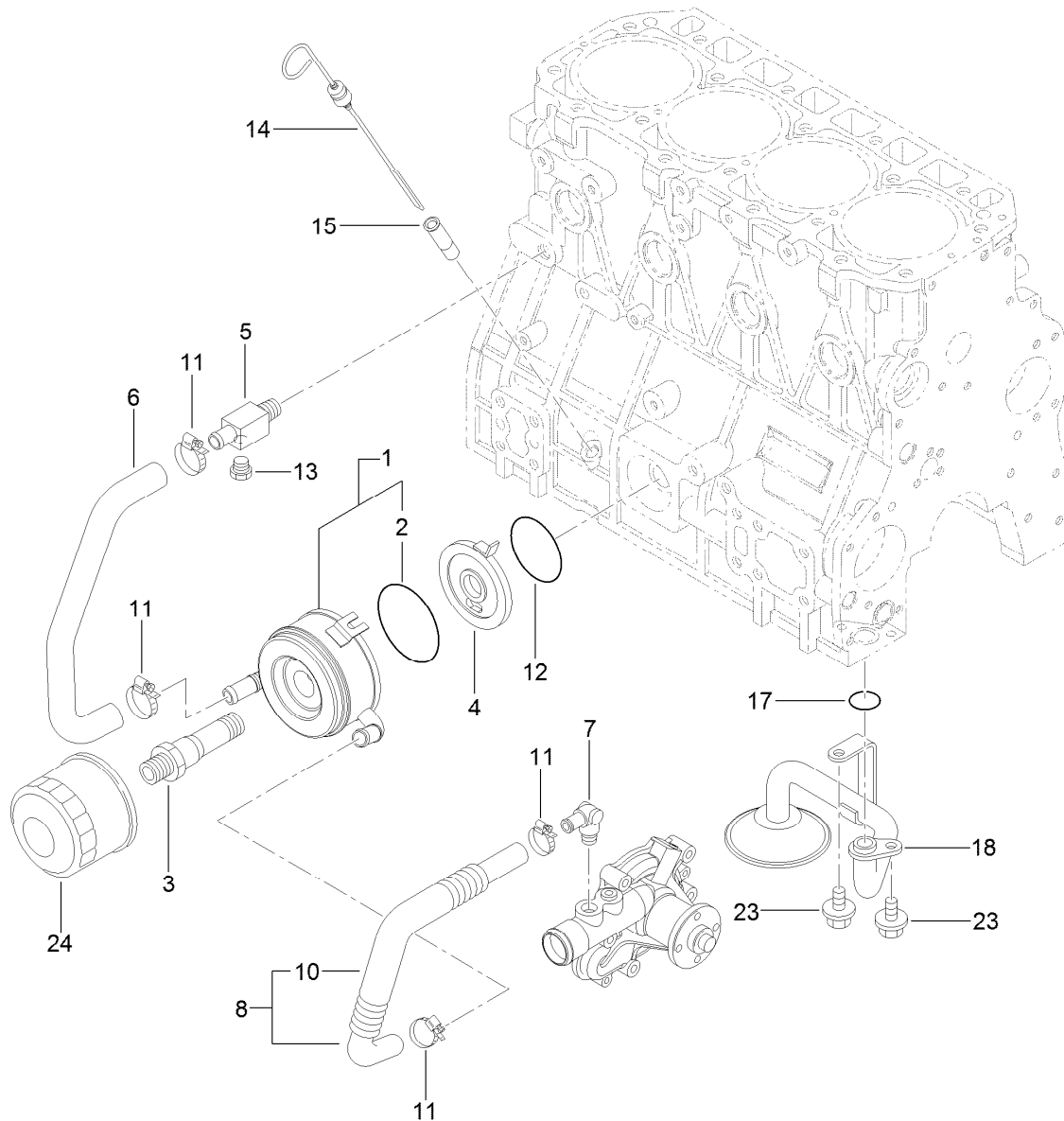
| <i>Ref.</i> | <i>Part Number</i> | <i>Qty.</i> | <i>Description</i> |
|-------------|--------------------|-------------|---------------------|
| 1 | 133-6763 | 1 | Turbocharger-R H F5 |
| 2 | 133-6625 | 1 | Gasket |
| 3 | 125-6906 | 4 | Stud |
| 4 | 125-7229 | 4 | Nut |



Crankshaft and Piston Assembly

| <i>Ref.</i> | <i>Part Number</i> | <i>Qty.</i> | <i>Description</i> |
|-------------|--------------------|-------------|--------------------|
| 1 | 133-6663 | 1 | Crankshaft ASM |
| 3 | 133-6645 | 1 | Gear-Crankshaft |
| 4 | 133-6611 | 1 | Pin |
| 5 | 133-6612 | 1 | Pin-Parallel |
| 6 | 125-7185 | 1 | Key |
| 7 | 133-6670 | 1 | Bolt |
| 8 | 133-6662 | 1 | Pulley-V |
| 9 | 133-6693 | 1 | Packing-Washer |
| 10 | 133-6694 | 1 | Washer-Pulley, V |
| 11 | 133-6610 | 6 | Bolt-Flywheel |
| 12 | 133-6778 | 1 | Flywheel ASM |
| 14 | 133-6646 | 1 | Gear-Ring |

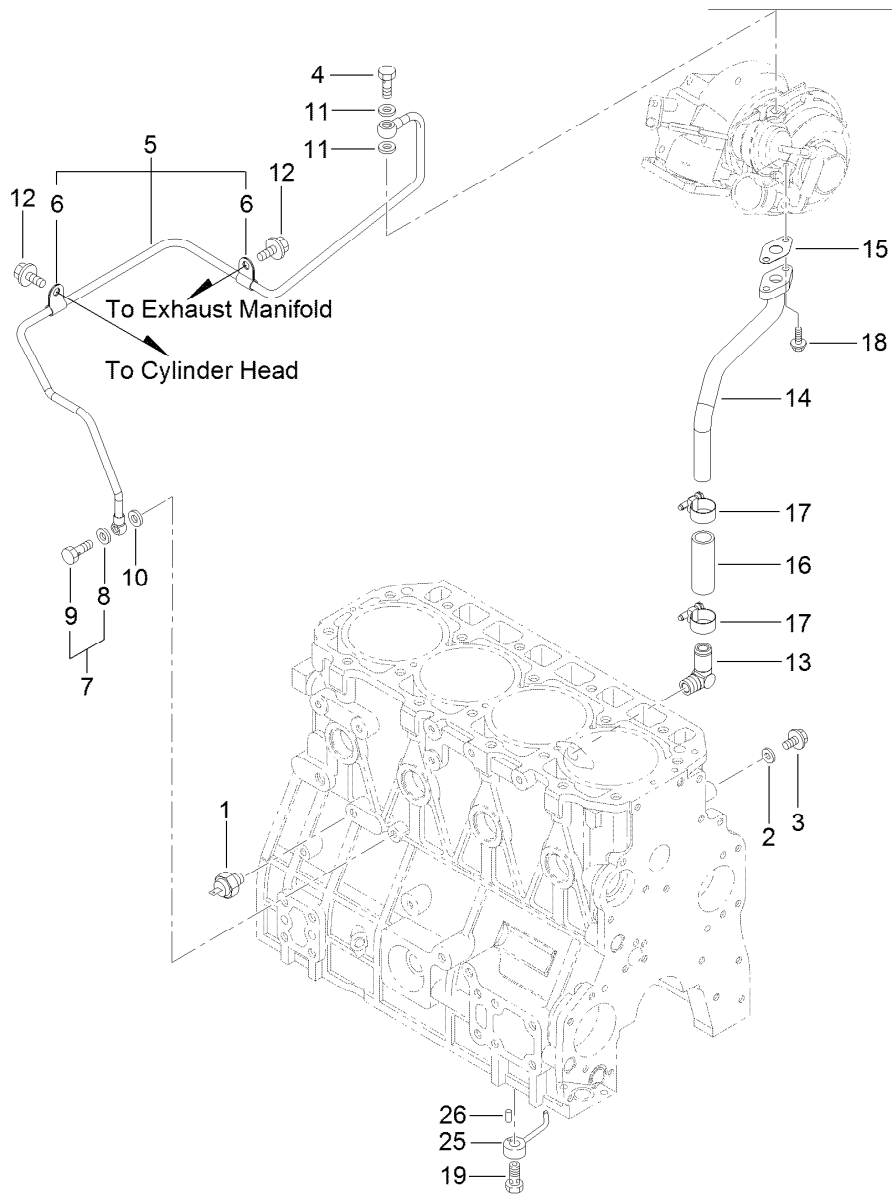
| <i>Ref.</i> | <i>Part Number</i> | <i>Qty.</i> | <i>Description</i> |
|-------------|--------------------|-------------|----------------------|
| 16 | 133-6766 | 4 | Piston ASM |
| 18 | 133-6729 | 4 | Ring ASM |
| 24 | 133-6607 | 4 | Pin-Piston |
| 25 | 133-6795 | 8 | Ring |
| 26 | 133-6647 | 4 | Connecting Rod ASM |
| 29 | 133-6648 | 8 | Bolt-Rod, Connecting |
| 30 | 133-6649 | 4 | Bearing-Pin, Crank |
| 32 | 133-6651 | 4 | Bearing-Pin, Piston |
| 33 | 133-6650 | 4 | Bearing |
| 35 | 133-6767 | 4 | Piston ASM |
| 37 | 133-6730 | 4 | Ring ASM |



Lubrication and Oil System Assembly

| Ref. | Part Number | Qty. | Description |
|------|-------------|------|-----------------|
| 1 | 127-3014 | 1 | Cooler ASM |
| 2 | 127-2985 | 1 | O-Ring |
| 3 | 133-6622 | 1 | Bolt-Cooler |
| 4 | 127-3015 | 1 | Bracket-Cooler |
| 5 | 125-6990 | 1 | Joint |
| 6 | 133-6667 | 1 | Pipe-Water |
| 7 | 127-3003 | 1 | Elbow |
| 8 | 133-6620 | 1 | Pipe-Water |
| 10 | 133-6621 | 1 | Tube-Corrugated |

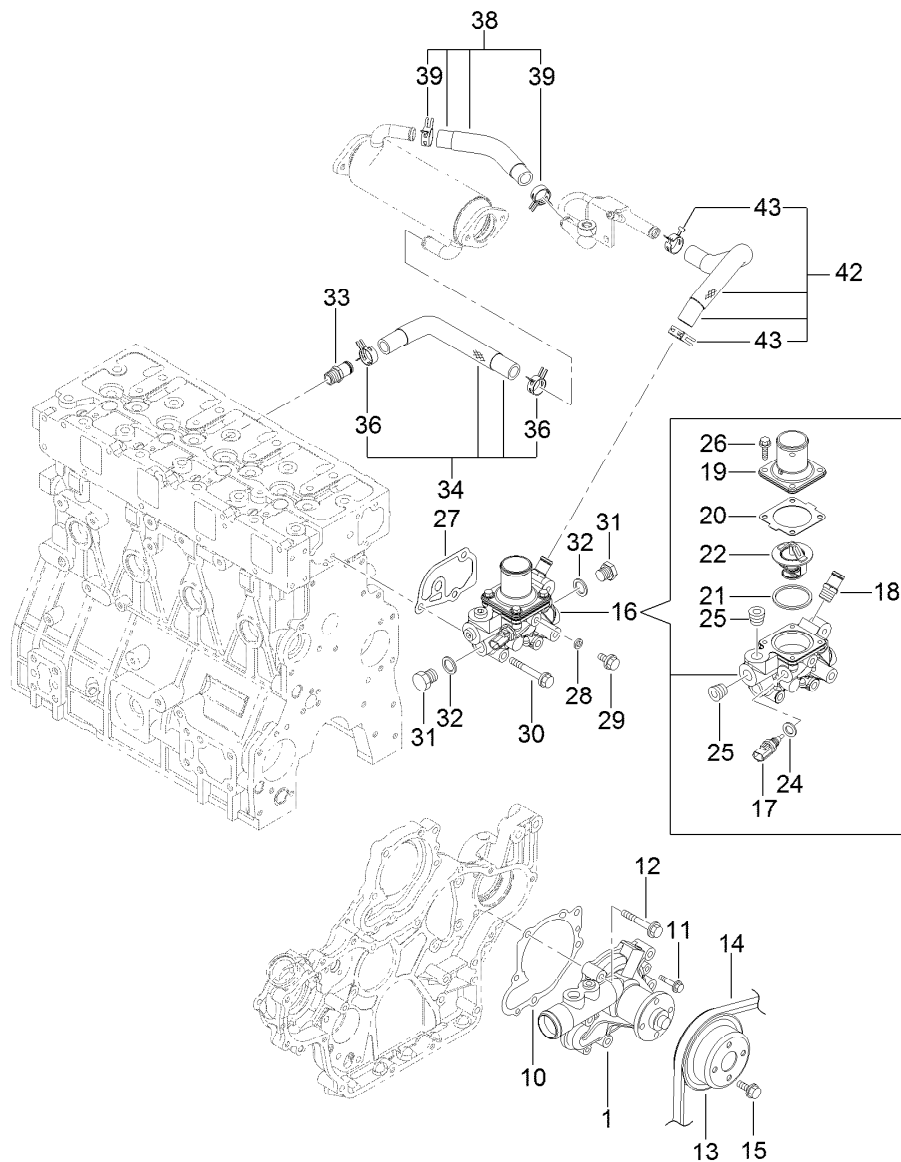
| Ref. | Part Number | Qty. | Description |
|------|-------------|------|--------------------|
| 11 | 125-7188 | 4 | Clamp-Hose |
| 12 | 127-3176 | 1 | O-Ring |
| 13 | 125-7171 | 1 | Plug-Drain |
| 14 | 133-6655 | 1 | Dipstick-Oil |
| 15 | 125-6954 | 1 | Guide-Dipstick |
| 17 | 133-6653 | 1 | O-Ring |
| 18 | 133-6656 | 1 | Oil Inlet Pipe ASM |
| 23 | 125-7212 | 2 | Bolt |
| 24 | 125-7025 | 1 | Filter-Engine, Oil |



Lubrication Oil Pipe Assembly

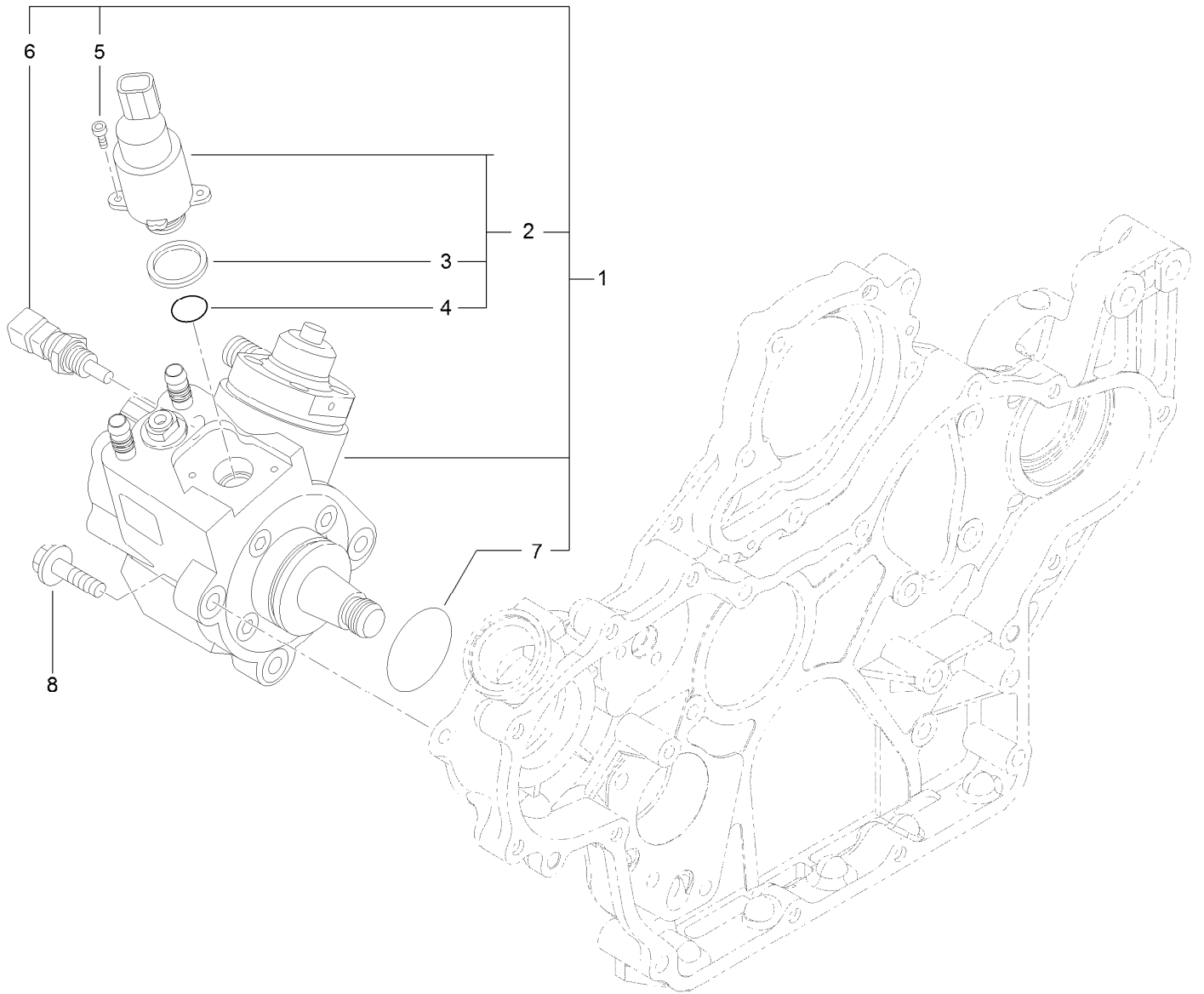
| Ref. | Part Number | Qty. | Description |
|------|-------------|------|------------------|
| 1 | 125-6918 | 1 | Switch-Oil |
| 2 | 125-7174 | 1 | Washer-Seal |
| 3 | 125-7212 | 1 | Bolt |
| 4 | 125-6952 | 1 | Bolt-Joint, Pipe |
| 5 | 133-6768 | 1 | L O Pipe ASM |
| 6 | 133-6623 | 2 | Retainer |
| 7 | 125-6988 | 1 | Joint Bolt ASM |
| 8 | 125-7174 | 1 | Washer-Seal |
| 9 | 125-7194 | 1 | Bolt-Joint |
| 10 | 125-7174 | 2 | Washer-Seal |
| 11 | 125-7193 | 2 | Gasket |

| Ref. | Part Number | Qty. | Description |
|------|-------------|------|---------------------|
| 12 | 125-7212 | 2 | Bolt |
| 13 | 125-6971 | 1 | Elbow |
| 14 | 133-6769 | 1 | Pipe-L O Return T/C |
| 15 | 133-6666 | 1 | Gasket |
| 16 | 125-6958 | 1 | Hose |
| 17 | 125-7188 | 2 | Clamp-Hose |
| 18 | 125-7208 | 2 | Bolt |
| 19 | 133-6665 | 4 | Check Valve ASM |
| 25 | 133-6602 | 4 | Nozzle |
| 26 | 125-7182 | 4 | Pin-Spring |



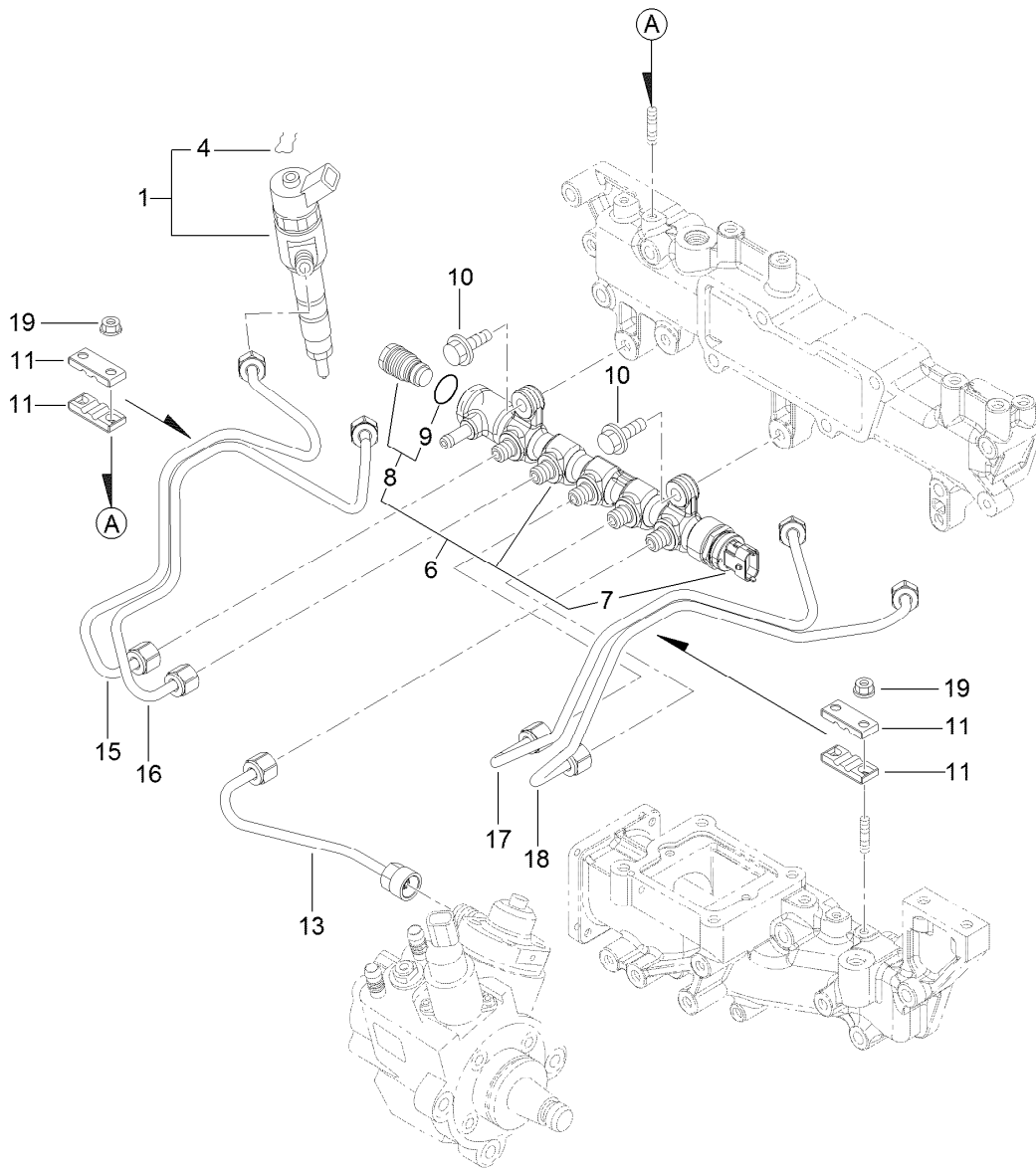
Cooling Water System Assembly

| Ref. | Part Number | Qty. | Description | Ref. | Part Number | Qty. | Description |
|------|-------------|------|-----------------------|------|-------------|------|------------------------|
| 1 | 133-6657 | 1 | Water Pump ASM | 25 | 133-6796 | 2 | Plug |
| 10 | 133-6658 | 1 | Gasket-Pump, Water | 26 | 125-7209 | 4 | Bolt |
| 11 | 131-2739 | 2 | Bolt | 27 | 133-6660 | 1 | Gasket |
| 12 | 125-7221 | 5 | Bolt | 28 | 125-7192 | 1 | Gasket |
| 13 | 133-6659 | 1 | V Pulley-Pump, CW | 29 | 125-7212 | 1 | Bolt |
| 14 | 133-6799 | 1 | V-Belt | 30 | 125-7222 | 3 | Bolt |
| 15 | 133-2495 | 4 | Bolt | 31 | 125-6953 | 2 | Plug |
| 16 | 133-6740 | 1 | Thermostat Case ASM | 32 | 125-6979 | 2 | Gasket |
| 17 | 125-7124 | 1 | Sensor-Thermostat, CW | 33 | 127-3017 | 1 | Joint |
| 18 | 127-3017 | 1 | Joint | 34 | 133-6738 | 1 | E G R-C In Hose ASM |
| 19 | 133-6671 | 1 | Cover-Thermostat | 36 | 127-3020 | 2 | Clip-Hose |
| 20 | 133-6613 | 1 | Gasket-Thermostat | 38 | 133-6739 | 1 | E G R-C Out A Hose ASM |
| 21 | 133-6614 | 1 | Gasket-Thermostat | 39 | 127-3020 | 2 | Clip-Hose |
| 22 | 133-6615 | 1 | Thermostat | 42 | 133-6784 | 1 | E G R-C Out B Hose ASM |
| 24 | 125-7176 | 1 | Washer-Seal | 43 | 127-3020 | 2 | Clip-Hose |



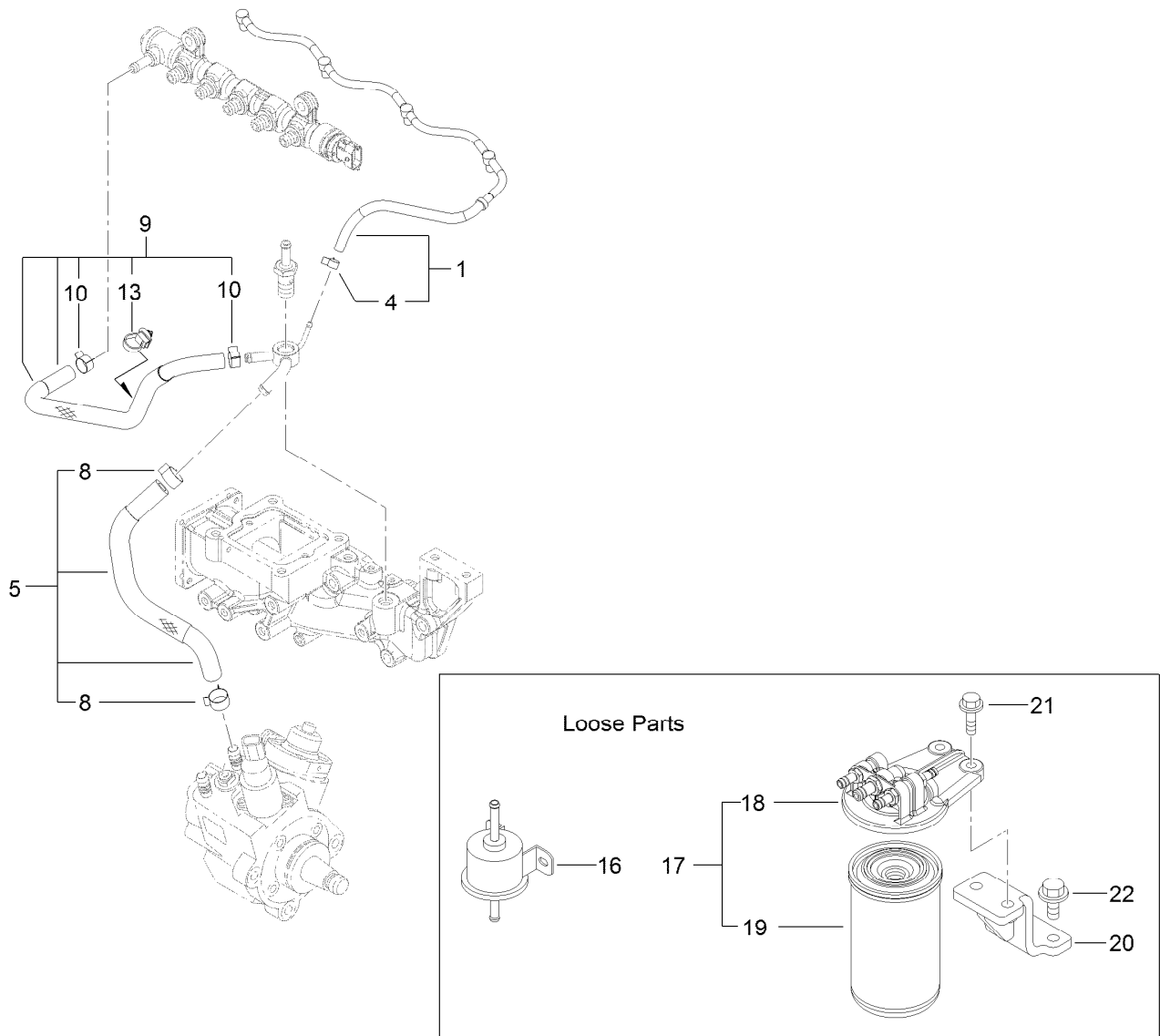
Fuel Supply Pump Assembly

| <i>Ref.</i> | <i>Part Number</i> | <i>Qty.</i> | <i>Description</i> |
|-------------|--------------------|-------------|--------------------|
| 1 | 127-3073 | 1 | Fuel Pump ASM |
| 2 | 131-2103 | 1 | Valve ASM |
| 3 | 131-2105 | 1 | Ring-Sealing |
| 4 | 131-2106 | 1 | O-Ring |
| 5 | 131-2107 | 2 | Bolt |
| 6 | 131-2108 | 1 | Sensor-Temperature |
| 7 | 127-3074 | 1 | O-Ring |
| 8 | 125-7216 | 3 | Bolt |



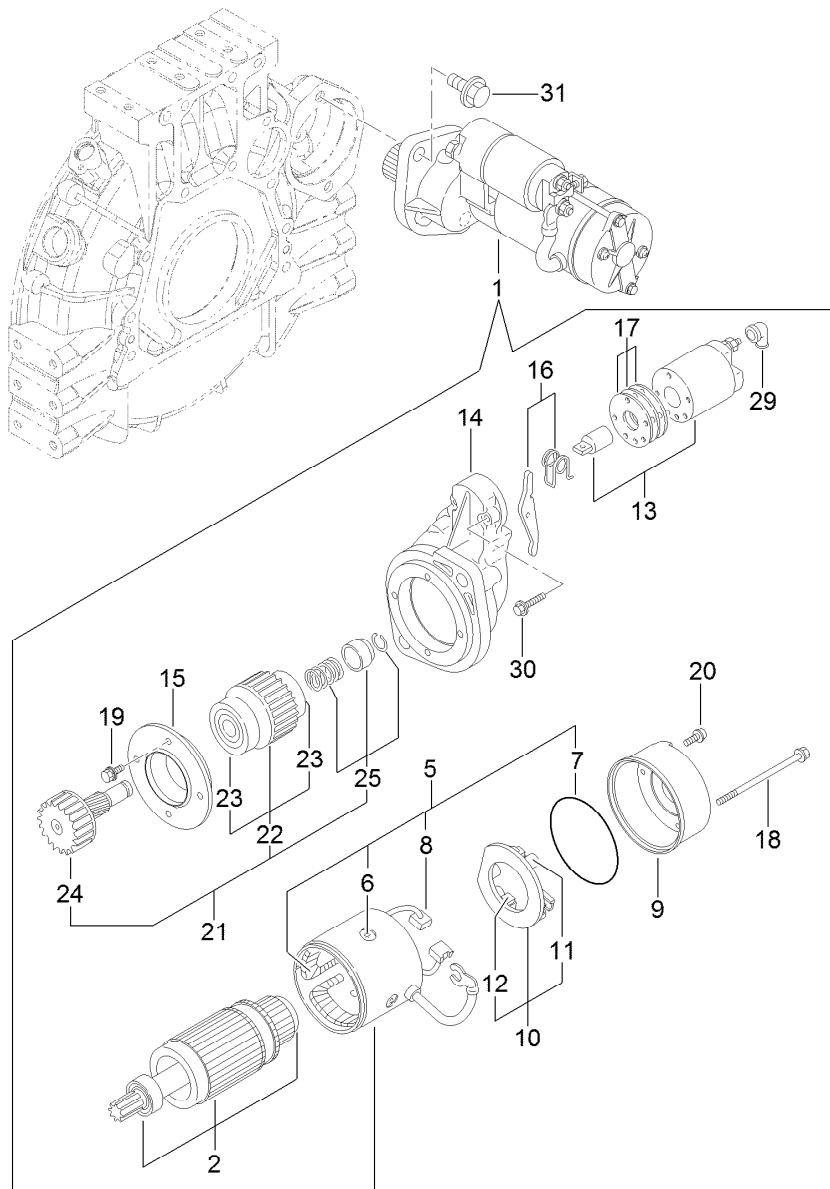
Fuel Injection Valve Assembly

| Ref. | Part Number | Qty. | Description |
|------|-------------|------|------------------------|
| 1 | 133-6770 | 4 | Injector-C R |
| 4 | 130-7430 | 4 | Ring-Retaining |
| 6 | 127-3118 | 1 | Rail ASM |
| 7 | 131-2709 | 1 | Sensor-Pressure, Rail |
| 8 | 131-2710 | 1 | Valve ASM |
| 9 | 130-7433 | 1 | O-Ring |
| 10 | 125-7215 | 2 | Bolt |
| 11 | 127-2982 | 4 | Retainer |
| 13 | 133-6745 | 1 | Rail Injector Pipe ASM |
| 15 | 133-6746 | 1 | Injector No 1 Pipe ASM |
| 16 | 133-6747 | 1 | Injector No 2 Pipe ASM |
| 17 | 133-6748 | 1 | Injector No 3 Pipe ASM |
| 18 | 133-6749 | 1 | Injector No 4 Pipe ASM |
| 19 | 125-7231 | 4 | Nut |



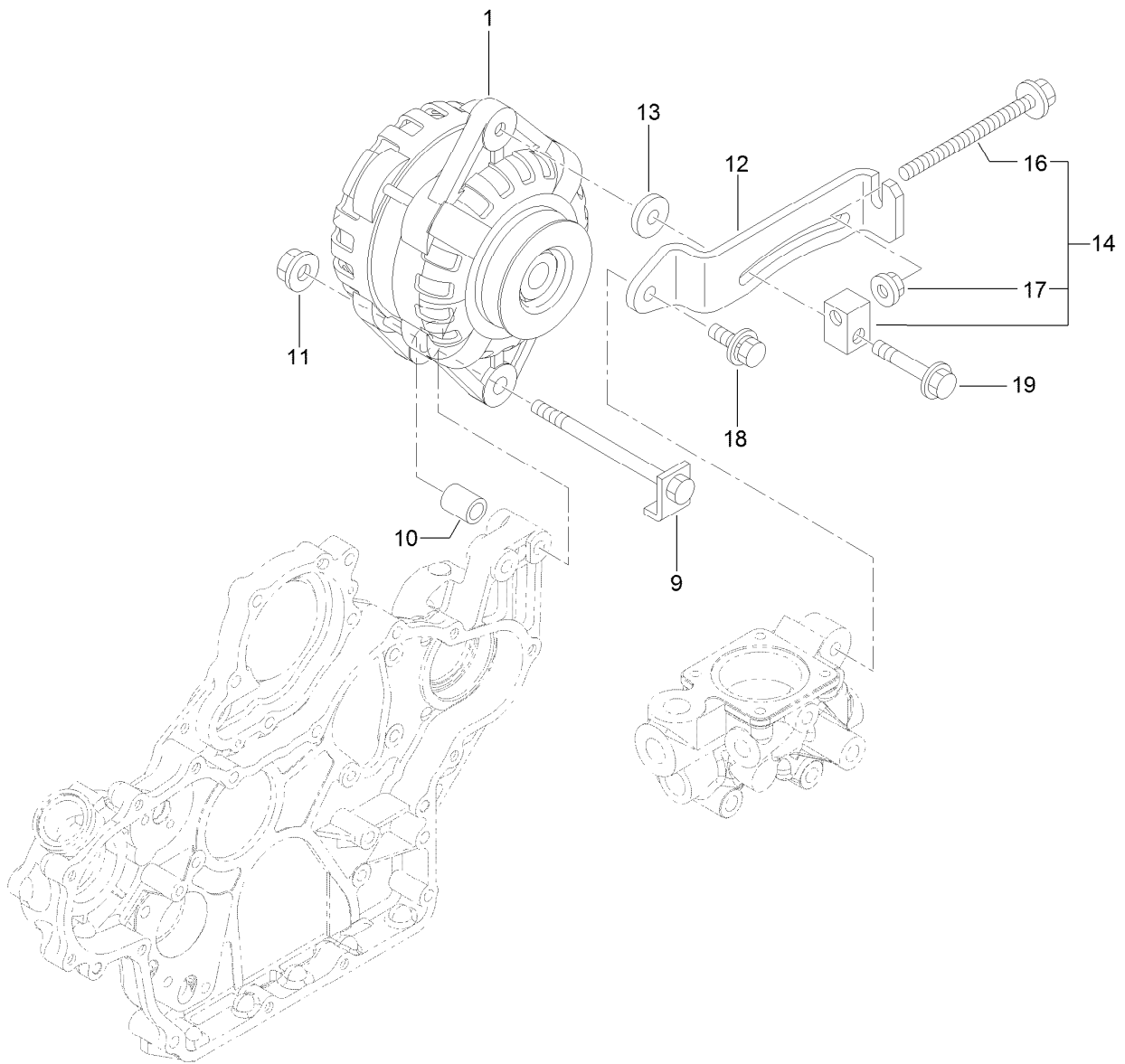
Fuel Pipe Assembly

| Ref. | Part Number | Qty. | Description |
|------|-------------|------|-----------------------------|
| 1 | 133-6744 | 1 | Fuel/Oil Return Pipe ASM |
| 4 | 127-3172 | 1 | Clamp-Hose |
| 5 | 133-6741 | 1 | Fuel/Oil Return Hose ASM |
| 8 | 125-7191 | 2 | Clamp-Hose |
| 9 | 133-6742 | 1 | Fuel/Oil Return Hose ASM |
| 10 | 127-2950 | 2 | Clip-Hose |
| 13 | 127-3087 | 1 | Band-Clip |
| 16 | 121-5613 | 1 | Pump-Fuel, Electric |
| 17 | 127-3075 | 1 | Fuel/Oil Filter ASM |
| 18 | 127-3076 | 1 | Fuel/Oil Filter Bracket ASM |
| 19 | 125-8752 | 1 | Filter-Fuel/Oil |
| 20 | 131-2731 | 1 | Bracket-Filter, Fuel |
| 21 | 125-7216 | 2 | Bolt |
| 22 | 133-2496 | 2 | Bolt |



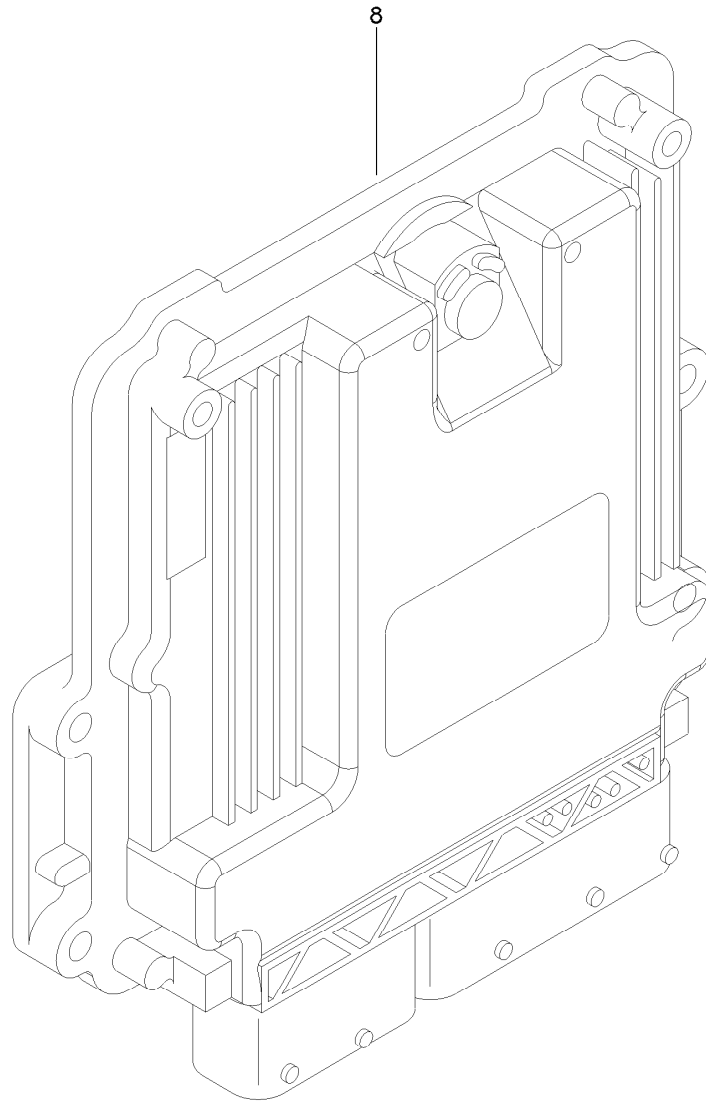
Starter Motor Assembly

| <i>Ref.</i> | <i>Part Number</i> | <i>Qty.</i> | <i>Description</i> | <i>Ref.</i> | <i>Part Number</i> | <i>Qty.</i> | <i>Description</i> |
|-------------|--------------------|-------------|--------------------|-------------|--------------------|-------------|--------------------|
| 1 | 133-6673 | 1 | Starter | 16 | 133-6686 | 1 | Lever Set |
| 2 | 133-6674 | 1 | Armature ASM | 17 | 133-6687 | 1 | Dust Cover ASM |
| 5 | 133-6675 | 1 | Field Coil ASM | 18 | 133-6688 | 2 | Bolt-Through |
| 6 | 133-6676 | 4 | Screw | 19 | 133-6689 | 4 | Bolt |
| 7 | 133-6677 | 1 | O-Ring | 20 | 133-6690 | 2 | Screw |
| 8 | 133-6678 | 2 | Brush | 21 | 133-6616 | 1 | Pinion ASM |
| 9 | 133-6679 | 1 | Cover | 22 | 133-6617 | 1 | Clutch ASM |
| 10 | 133-6680 | 1 | Brush Holder ASM | 23 | 133-2510 | 2 | Bearing-Ball |
| 11 | 133-6681 | 1 | Spring | 24 | 133-6618 | 1 | Shaft |
| 12 | 133-6682 | 2 | Brush | 25 | 133-6604 | 1 | Stopper Kit |
| 13 | 133-6683 | 1 | Switch ASM | 29 | 133-6609 | 1 | Cover-Terminal |
| 14 | 133-6684 | 1 | Case-Gear | 30 | 133-6601 | 2 | Bolt |
| 15 | 133-6685 | 1 | Retainer | 31 | 125-7225 | 2 | Bolt |



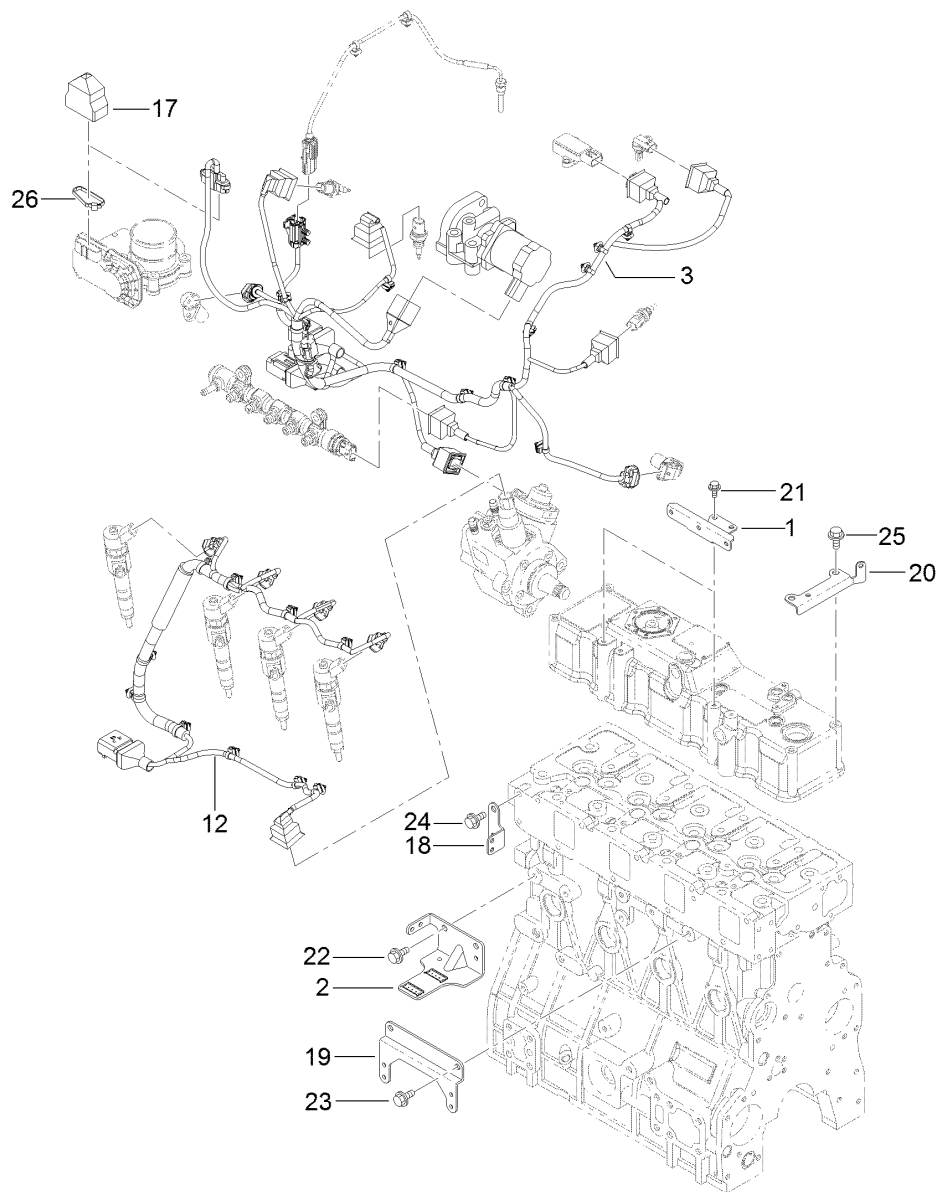
Generator Assembly

| <i>Ref.</i> | <i>Part Number</i> | <i>Qty.</i> | <i>Description</i> |
|-------------|--------------------|-------------|--------------------|
| 1 | 125-7120 | 1 | Alternator-12V |
| 9 | 125-7121 | 1 | Bolt-Stopper |
| 10 | 125-7122 | 1 | Piece-Distance |
| 11 | 125-7230 | 1 | Nut |
| 12 | 133-6692 | 1 | Adjuster |
| 13 | 133-6608 | 1 | Spacer |
| 14 | 133-6605 | 1 | Adjuster Block ASM |
| 16 | 133-2494 | 1 | Bolt |
| 17 | 125-7229 | 1 | Nut |
| 18 | 133-2491 | 1 | Bolt |
| 19 | 125-7219 | 1 | Bolt |



Electronic Control Unit Assembly

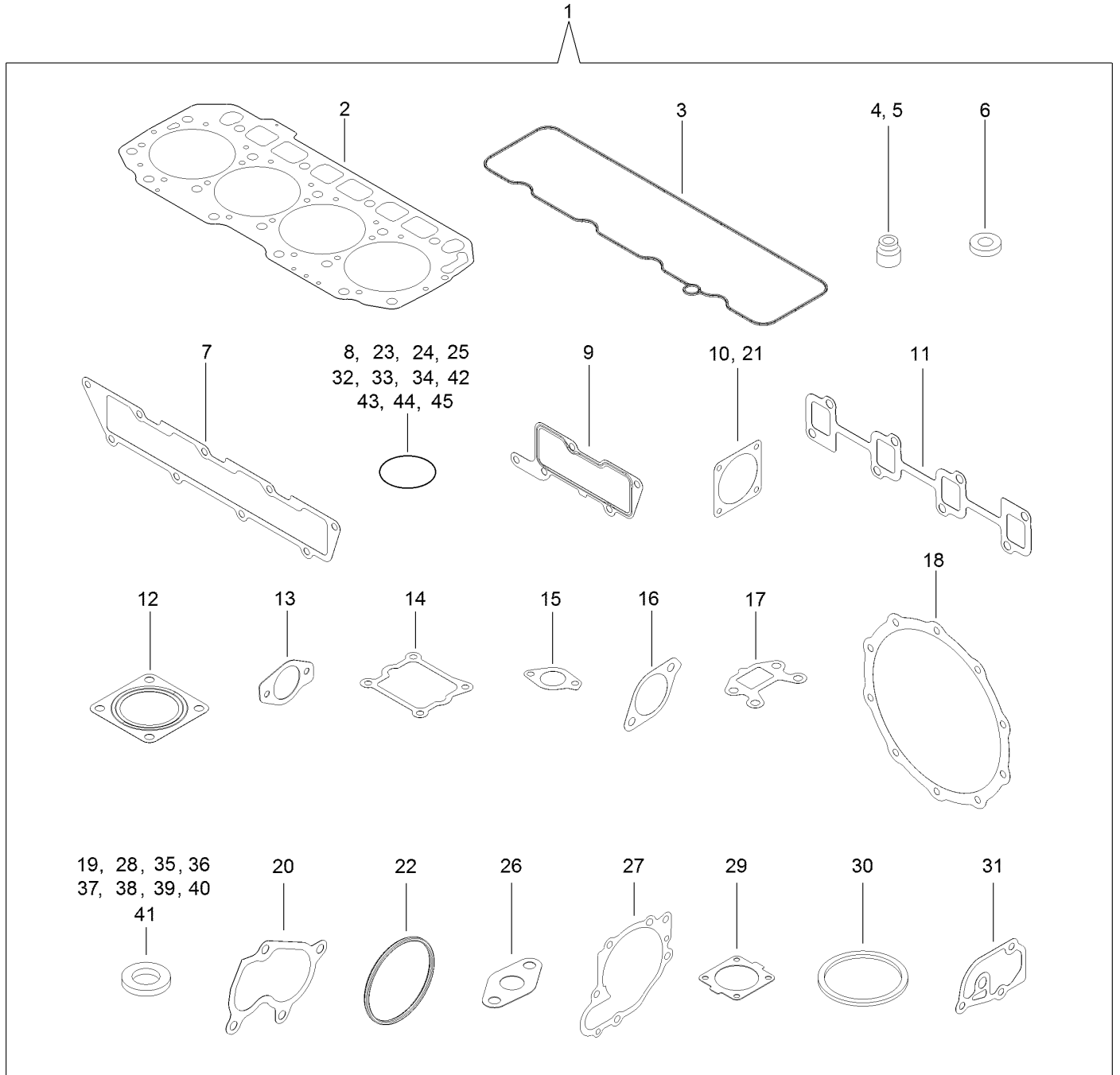
| <i>Ref.</i> | <i>Part Number</i> | <i>Qty.</i> | <i>Description</i> |
|-------------|--------------------|-------------|-------------------------|
| 8 | 121-5592 | 1 | Electronic Control Unit |



Electric Parts Assembly

| <i>Ref.</i> | <i>Part Number</i> | <i>Qty.</i> | <i>Description</i> |
|-------------|--------------------|-------------|-------------------------|
| 1 | 133-6706 | 2 | Bracket-Harness |
| 2 | 133-6751 | 1 | Bracket-Connector |
| 3 | 133-6771 | 1 | Harness-B, E C O |
| 12 | 133-6752 | 1 | Harness-C, E C O Engine |
| 17 | 131-2713 | 1 | Boot-Cap |
| 18 | 127-3090 | 1 | Bracket-Harness |
| 19 | 133-6753 | 1 | Bracket-Harness |
| 20 | 133-6772 | 1 | Bracket-Harness |
| 21 | 125-7206 | 4 | Bolt |
| 22 | 125-7212 | 2 | Bolt |
| 23 | 125-7212 | 2 | Bolt |
| 24 | 125-7212 | 2 | Bolt |
| 25 | 125-7212 | 2 | Bolt |
| 26 | 127-3188 | 1 | Band |

Gasket Set



Gasket Set (continued)

| <i>Ref.</i> | <i>Part Number</i> | <i>Qty.</i> | <i>Description</i> | <i>Ref.</i> | <i>Part Number</i> | <i>Qty.</i> | <i>Description</i> |
|-------------|--------------------|-------------|------------------------|-------------|--------------------|-------------|--------------------|
| 1 | 133-2509 | 1 | Gasket Kit | 24 | 133-6654 | 1 | O-Ring |
| 2 | 133-6700 | 1 | Gasket-Head, Cylinder | 25 | 127-2985 | 1 | O-Ring |
| 3 | 132-4907 | 1 | Gasket-Cover, Head | 26 | 133-6666 | 1 | Gasket |
| 4 | 127-2986 | 4 | Seal-Stem, Valve | 27 | 133-6658 | 1 | Gasket-Pump, Water |
| 5 | 127-3027 | 4 | Seal-Stem, Valve | 28 | 125-6979 | 2 | Gasket |
| 6 | 127-3021 | 4 | Gasket-Injector | 29 | 133-6613 | 1 | Gasket-Thermostat |
| 7 | 133-6708 | 1 | Gasket-Manifold | 30 | 133-6614 | 1 | Gasket-Thermostat |
| 8 | 127-3033 | 1 | O-Ring | 31 | 133-6660 | 1 | Gasket |
| 9 | 133-6709 | 1 | Gasket-Collector | 32 | 131-2106 | 1 | O-Ring |
| 10 | 127-3037 | 2 | Gasket-Throttle | 33 | 127-3074 | 1 | O-Ring |
| 11 | 133-6710 | 1 | Gasket-Manifold | 34 | 130-7433 | 1 | O-Ring |
| 12 | 127-2987 | 3 | Gasket-Silencer | 35 | 125-7174 | 7 | Washer-Seal |
| 13 | 133-6698 | 2 | Gasket-Cooler, E G R | 36 | 125-7176 | 1 | Washer-Seal |
| 14 | 133-6717 | 1 | Gasket-V Spacer, E G R | 37 | 127-3166 | 2 | Washer-Seal |
| 15 | 127-3016 | 1 | Gasket | 38 | 125-7177 | 1 | Washer-Seal |
| 16 | 133-6723 | 1 | Gasket-In, E G R-V | 39 | 125-7192 | 1 | Gasket |
| 17 | 133-6724 | 1 | Gasket-Out, E G R-V | 40 | 125-7193 | 2 | Gasket |
| 18 | 127-3162 | 2 | Gasket-D P F | 41 | 127-3174 | 2 | Gasket |
| 19 | 127-3056 | 4 | Gasket-Sensor | 42 | 93-0400 | 1 | O-Ring |
| 20 | 133-6619 | 1 | Gasket | 43 | 93-0418 | 3 | O-Ring |
| 21 | 133-6625 | 1 | Gasket | 44 | 125-7197 | 1 | O-Ring |
| 22 | 133-6693 | 2 | Packing-Washer | 45 | 127-3176 | 1 | O-Ring |
| 23 | 133-6653 | 2 | O-Ring | | | | |

Attachments and Accessories

For 31699 Groundsmaster 5910 Rotary Mower

| Product Name | Model/Part |
|--|-------------------|
| 10in Foam Filled Castor Wheel..... | 93-5973 |
| CE Kit, 2016 and After Groundsmaster 5900 Tier 4 Series Traction Unit | 132-1340 |
| Beacon Kit, 2015 and After Groundsmaster Series Traction Unit | 31509 |
| EU Light Kit..... | 30653 |
| Backrest Extension Kit..... | 119-7719 |
| Backup Alarm Kit | 31512 |
| Leaf Mulching Kit | 31604 |
| Center Deck..... | 31601 |
| North American Cab Light Kit, 2015 and After Groundsmaster 5910/4010/4110 Series Traction Unit | 30706 |
| Right Wing Deck | 31602 |
| Left Wing Deck | 31603 |
| Pre-Filter Screen Kit, 2015 and After Groundsmaster Series Cab..... | 30647 |
| LED Work Light Kit, 2015 and After Cab and 2 Post ROPS Extension Kit..... | 31596 |
| Fluid/Filter MVP Kit..... | 31609 |
| Atomic Blade Service Pack (20in)..... | 132-1391 |
| Standard Blade Service Pack (20in) | 132-1392 |
| Blade/Belt Kit | 132-1440 |
| Premium Engine Oil 15w40 (5 Gallon Pail) | 121-6395 |
| Premium All Purpose Grease (Tube) | 108-1190 |
| Premium Engine Oil 15w40 (55 Gallon Drum) | 121-6394 |
| PX Hydraulic Fluid (55 Gal)..... | 133-8087 |
| PX Hydraulic Fluid (5 Gal) | 133-8086 |
| Air Filter | 121-8457 |
| Safety Air Filter Element | 130-9070 |
| Primary Engine Air Filter..... | 108-3815 |
| Fuel Filter..... | 125-8752 |
| Hydraulic Filter..... | 86-6110 |
| Hydraulic Filter..... | 75-1310 |
| Auxiliary Braking System | 31701 |
| 1000 Hour MVP Kit | 44958 |
| Manual Flow Divider Kit | 140-5800 |
| Wrench-Caster Cap/Latch | 138-6367 |
| Fuel/Water Separator Filter..... | 125-2915 |
| Engine Oil Filter | 125-7025 |

Notes:

Notes:

Notes:



Count on it.