



Recycler® Kit
2000 Series HDX RD 122cm Riding Mower
 Model No. 134-4277

Installation Instructions

Safety

Rear Discharge or Mulch Grass

▲ WARNING

Without the grass deflector mounted in place, you and others are exposed to blade contact and thrown debris. Contact with rotating mower blade(s) and thrown debris will cause injury or death.

- Never remove the grass guard from the mower because the grass guard routes material down toward the turf. If the grass guard is ever damaged, replace it immediately.
- Never put your hands or feet under the mower.
- Never try to clear the discharge area or mower blades unless you engage the parking brake, disengage the power take off (PTO) lever, shutoff the engine, remove the ignition key, and wait for all motion to stop. Also pull the wire off the spark plug(s).

Ensure that the mower has the rear grass guard to disperses clippings to the rearward and down toward the turf, while in rear discharge mode.

To mulch grass clippings, install the baffles on the mower deck as instructed in the following procedures.



Installation

Loose Parts

Use the chart below to verify that all parts have been shipped.

Procedure	Description	Qty.	Use
1	No parts required	–	Prepare the machine.
2	No parts required	–	Remove the belt covers and sheet-metal guard.
3	No parts required	–	Remove the existing blades.
4	No parts required	–	Drill the mower deck.
5	Left baffle support Center baffle support Right baffle support Carriage bolt (5/16 x 1-1/4 inches) Carriage bolt (5/16 x 1 inch) Locknut (5/16 inch) Shim plate	1 1 1 4 2 6 1	Install the baffle supports.
6	Left baffle Center baffle Right baffle Carriage bolt (3/8 x 1 inch) Locknut (3/8 inch)	1 1 1 9 9	Install the baffles.
7	Kicker Carriage bolt (3/8 x 1 inch) Locknut (3/8 inch)	3 6 6	Install the kickers.
8	Recycler blade	3	Install the new blades.
9	No parts required	–	Install the belt covers and sheet-metal guard.
10	Flange-head bolt (3/8 x 1 inch)	8	Convert the mower deck for rear-discharge operation.

1

Preparing the Machine

No Parts Required

Procedure

1. Park the machine on a level surface.
2. Move the motion-control levers to the NEUTRAL-LOCK position.
3. Engage the parking brake.

4. Shut off the engine and remove the key.
5. Thoroughly clean the mower deck. Remove all debris to ensure that the baffles will fit properly.
6. Repair all bent or damaged areas of the mower deck and replace any missing parts.

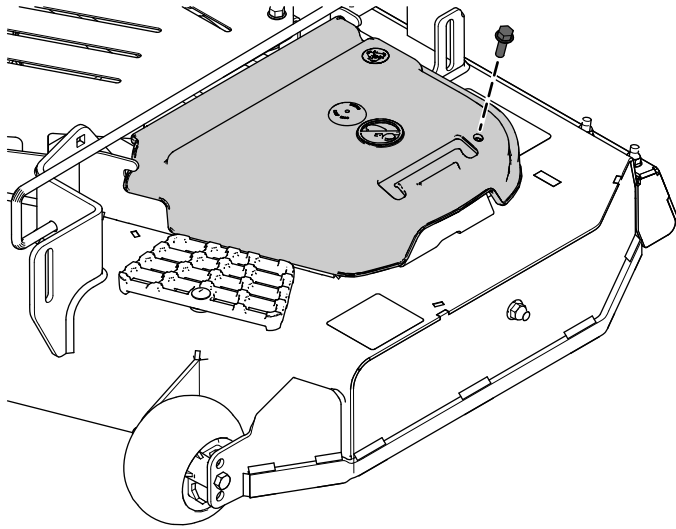
2

Removing the Belt Covers and Sheet-Metal Guard

No Parts Required

Procedure

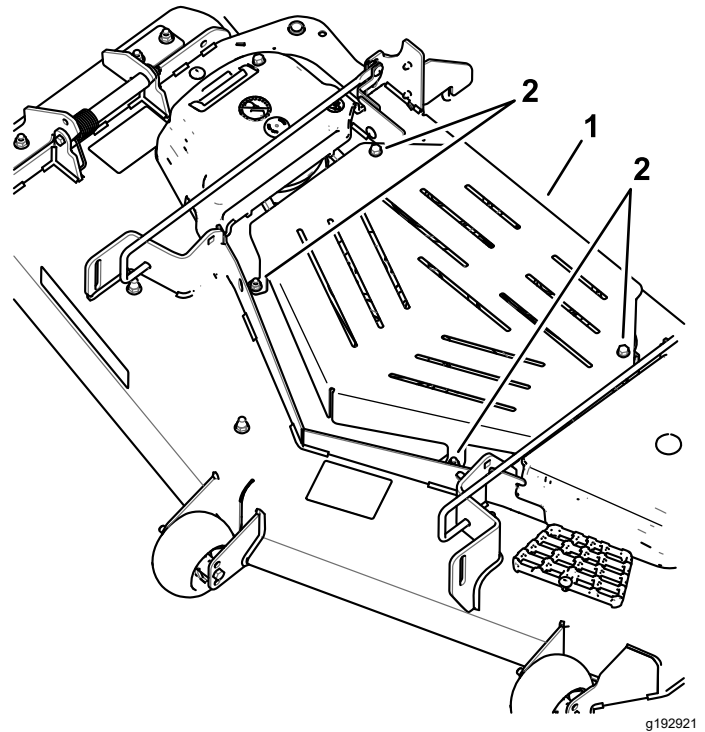
1. Remove the belt covers (Figure 1).



g345273

Figure 1
Left belt cover shown

2. Loosen the 4 bolts and remove the sheet-metal guard (Figure 2).



g192921

Figure 2

1. Sheet-metal guard
2. Bolt

3

Removing the Existing Blades

No Parts Required

Procedure

⚠ WARNING

The blades are sharp. Contact with a sharp blade can cause serious personal injury.

Wear gloves or wrap the sharp edges of the blade with a rag.

Refer to the *Operator's Manual* for instructions on removing the blades.

4

Drilling the Mower Deck

No Parts Required

Procedure

Drill the 10 pilot holes in the deck with an 10 mm (3/8 inch) drill bit as shown in [Figure 3](#).

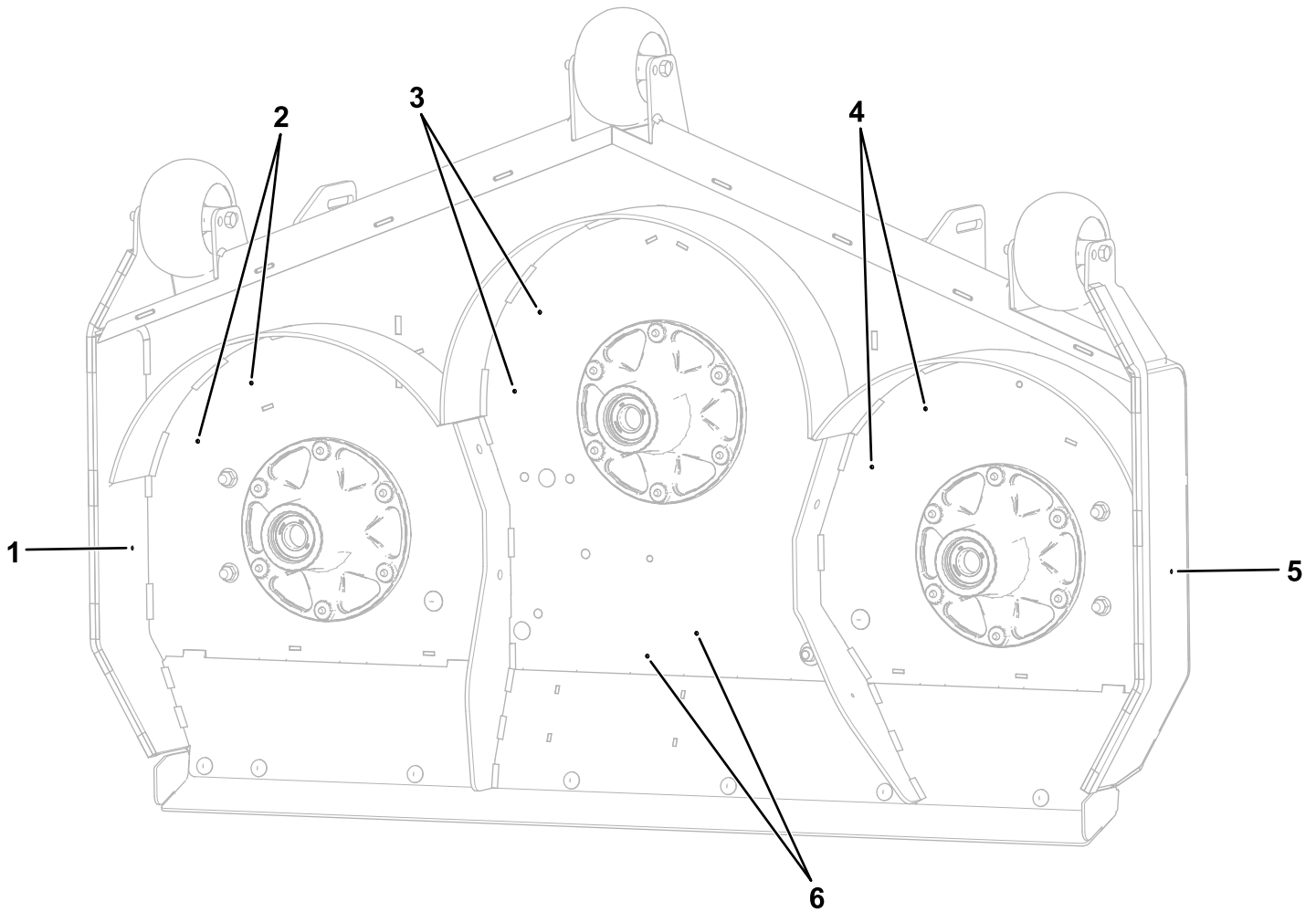


Figure 3

g345296

- | | | |
|---------------------------|----------------------------|------------------------------------|
| 1. Holes for right baffle | 3. Holes for center kicker | 5. Holes for left baffle |
| 2. Holes for right kicker | 4. Holes for left kicker | 6. Holes for center baffle support |

5

Installing the Baffle Supports

Parts needed for this procedure:

1	Left baffle support
1	Center baffle support
1	Right baffle support
4	Carriage bolt (5/16 x 1-1/4 inches)
2	Carriage bolt (5/16 x 1 inch)
6	Locknut (5/16 inch)
1	Shim plate

Procedure

1. Remove the 4 outboard carriage bolts (5/16 x 7/8 inch) and 4 outboard locknuts (5/16 inch) that secure the deflector bracket to the mower deck (Figure 4).

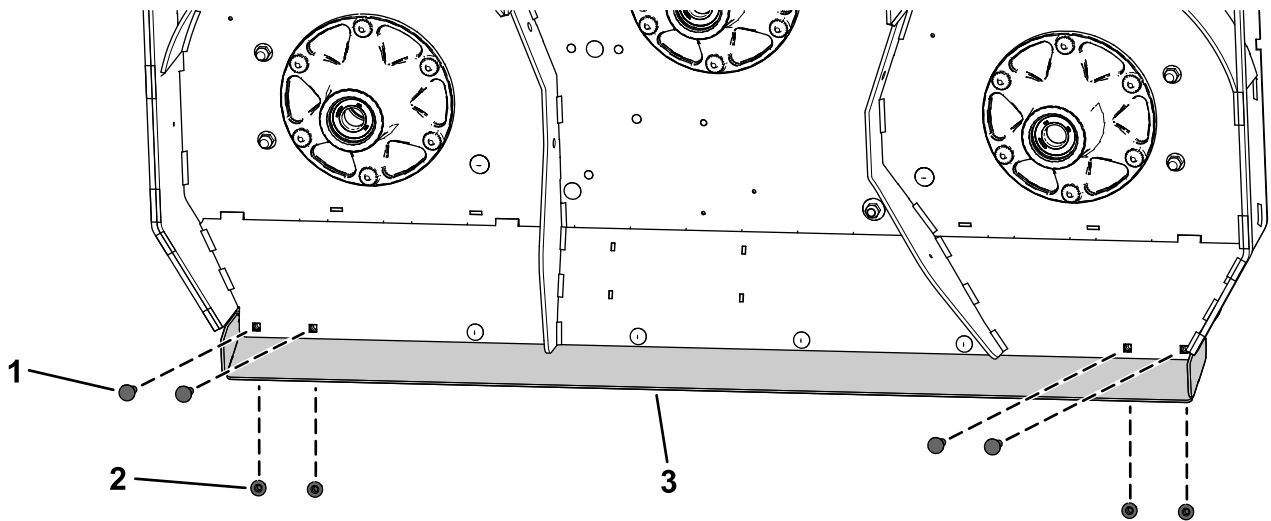


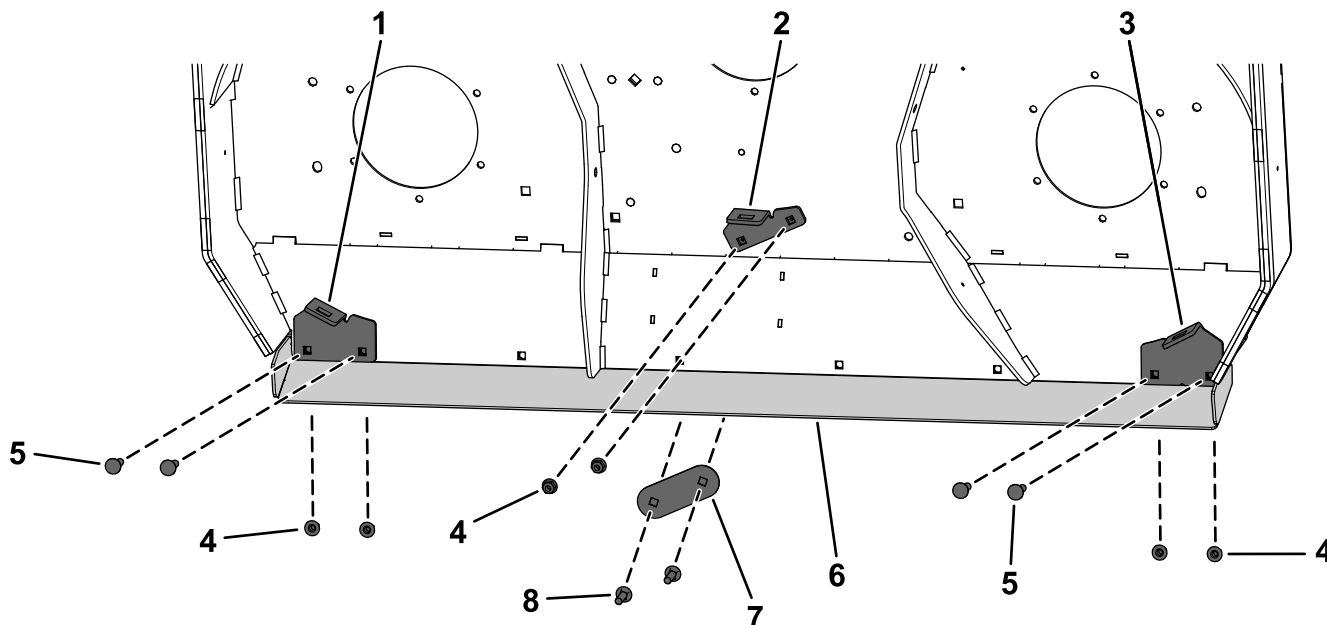
Figure 4

g345330

1. Carriage bolt (5/16 x 7/8 inch)
2. Locknut (5/16 inch)

3. Deflector bracket

- Secure the left and right baffle supports to deflector bracket and mower deck using 4 carriage bolts (5/16 x 1-1/4 inches) and 4 locknuts (5/16 inch) as shown in [Figure 5](#).
- Secure the center baffle support to the mower deck using 2 carriage bolts (5/16 x 1 inch), 1 shim plate, and 2 locknuts (5/16 inch) as shown in [Figure 5](#).



g371883

Figure 5

- | | | | |
|--------------------------|------------------------|--|----------------------------------|
| 1. Right baffle support | 3. Left baffle support | 5. Carriage bolt (5/16 x 1-1/4 inches) | 7. Shim plate |
| 2. Center baffle support | 4. Locknut (5/16 inch) | 6. Deflector bracket | 8. Carriage bolt (5/16 x 1 inch) |

6

Installing the Baffles

Parts needed for this procedure:

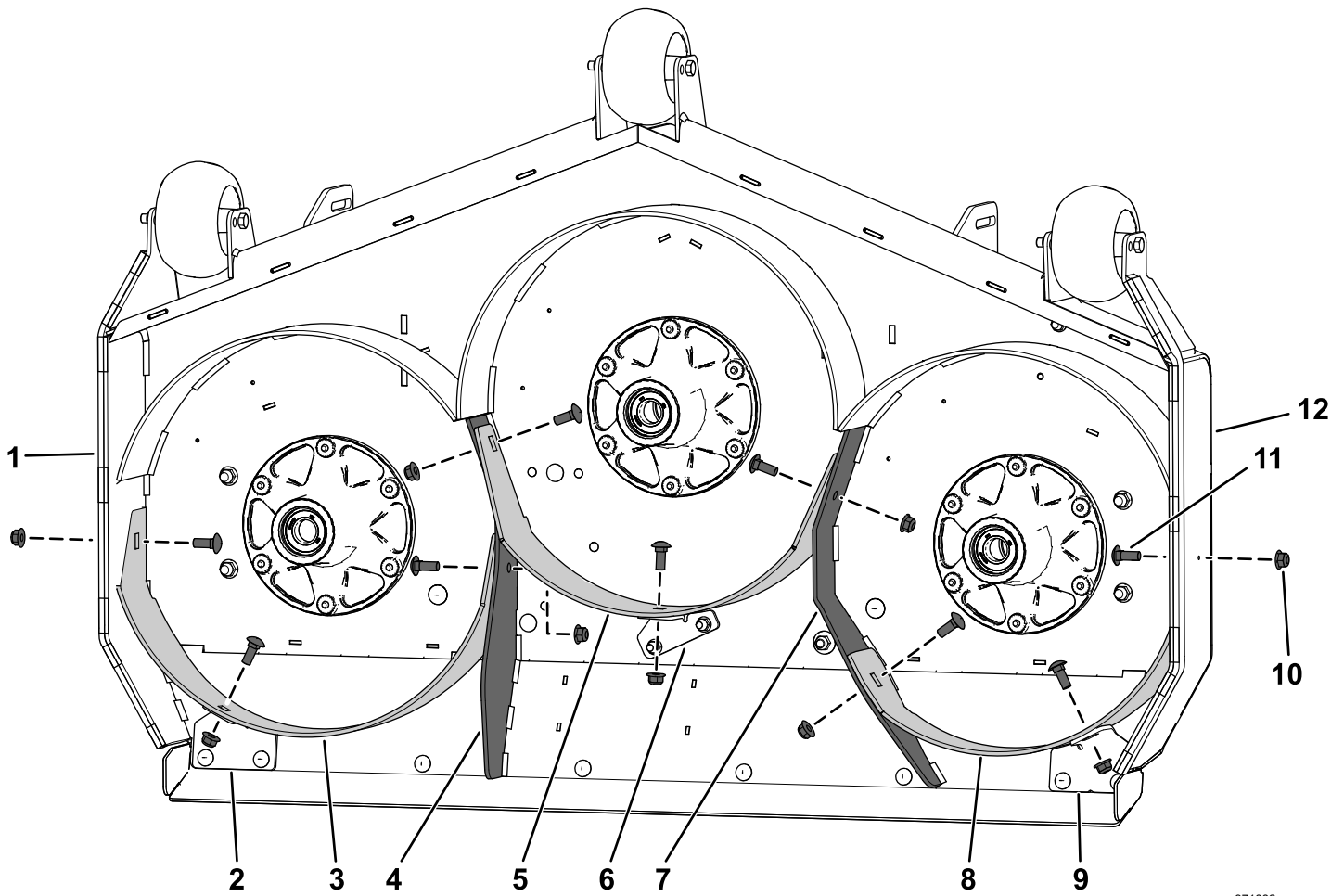
1	Left baffle
1	Center baffle
1	Right baffle
9	Carriage bolt (3/8 x 1 inch)
9	Locknut (3/8 inch)

Procedure

Loosely install the baffles to align the baffles with all the holes in the mower deck ([Figure 6](#)).

- Position the right baffle into the mower deck.
- Loosely secure the right baffle to the right discharge plate using 1 carriage bolt (3/8 x 1 inch) and 1 locknut (3/8 inch) as shown in [Figure 6](#).

- Loosely secure the right baffle to the right mower deck divider and right baffle support using 2 carriage bolts (3/8 x 1 inch) and 2 locknuts (3/8 inch) as shown in [Figure 6](#).
- Position the left baffle in the mower deck.
- Loosely secure the left baffle to the left discharge plate using 1 carriage bolt (3/8 x 1 inch) and 1 locknut (3/8 inch) as shown in [Figure 6](#).
- Loosely secure the left baffle to the left mower deck divider and left baffle support using 2 carriage bolts (3/8 x 1 inch) and 2 locknuts (3/8 inch) as shown in [Figure 6](#).
- Position the center baffle into the mower deck.
- Loosely secure the center baffle to the right and left mower deck dividers and center baffle support using 3 carriage bolts (3/8 x 1 inch) and 3 locknuts (3/8 inch) as shown in [Figure 6](#).
- Tighten all the locknuts.



g371882

Figure 6

- | | | | |
|--------------------------|-----------------------------|----------------------------|----------------------------------|
| 1. Right discharge plate | 4. Right mower deck divider | 7. Left mower deck divider | 10. Locknut (3/8 inch) |
| 2. Right baffle support | 5. Center baffle | 8. Left baffle | 11. Carriage bolt (3/8 x 1 inch) |
| 3. Right baffle | 6. Center baffle support | 9. Left baffle support | 12. Left discharge plate |

7

Installing the Kickers

Parts needed for this procedure:

3	Kicker
6	Carriage bolt (3/8 x 1 inch)
6	Locknut (3/8 inch)

Procedure

Secure the 3 kickers to the mower deck using 6 carriage bolts (3/8 x 1 inch) and 6 locknuts (3/8 inch) as shown in [Figure 7](#).

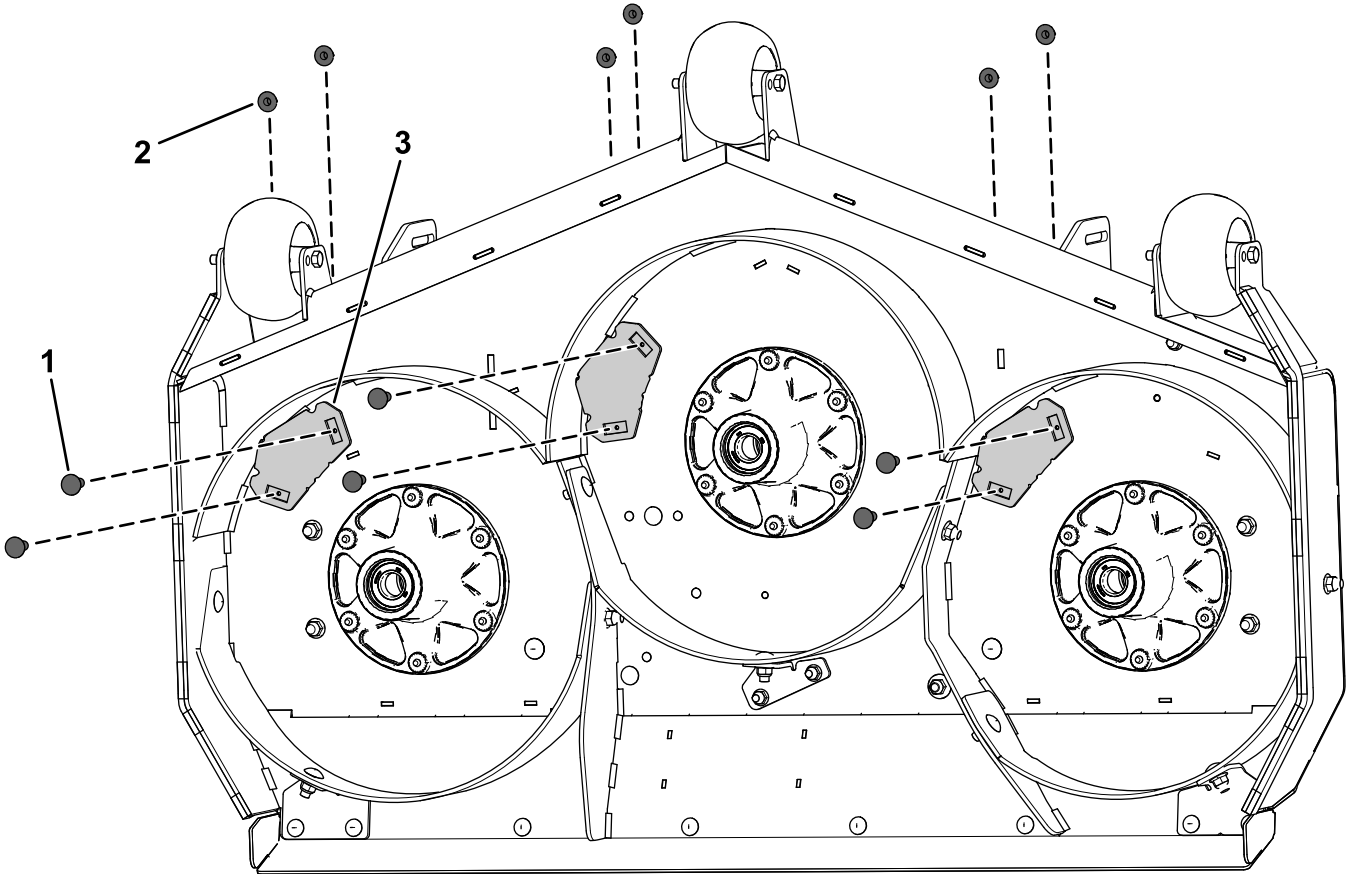


Figure 7

g371884

- 1. Carriage bolt (3/8 x 1 inch)
- 2. Locknut (3/8 inch)
- 3. Kicker

8

Installing the New Blades

Parts needed for this procedure:

3	Recycler blade
---	----------------

Procedure

⚠ WARNING

The blades are sharp. Contact with a sharp blade can cause serious personal injury.

Wear gloves or wrap the sharp edges of the blade with a rag.

Refer to the *Operator's Manual* for instructions on installing the blades.

9

Installing the Belt Covers and Sheet-Metal Guard

No Parts Required

Procedure

1. Secure the sheet-metal guard using the 4 bolts ([Figure 2](#)).
2. Secure the belt covers ([Figure 1](#)).

10

Converting the Mower Deck for Rear-Discharge Operation

Parts needed for this procedure:

8	Flange-head bolt (3/8 x 1 inch)
---	---------------------------------

Preparing to Remove the Recycler Kit

1. Prepare the mower; refer to [1 Preparing the Machine \(page 2\)](#).
2. Remove the belt covers and sheet-metal guard; refer to [2 Removing the Belt Covers and Sheet-Metal Guard \(page 2\)](#).
3. Remove the recycling blades; refer to the *Operator's Manual* for your machine.

Removing the Kickers

Reverse the steps in [7 Installing the Kickers \(page 8\)](#) and install new flange-head bolts (3/8 x 1 inch) and previously removed locknuts (3/8 inch) where you removed the kickers.

Refer to [Figure 8](#) for the holes you need to fill in the mower deck.

Removing the Baffles

Reverse the steps in [6 Installing the Baffles \(page 6\)](#) and install new flange-head bolts (3/8 x 1 inch) and previously removed locknuts (3/8 inch) where you removed the baffles.

Refer to [Figure 8](#) for the holes you need to fill in the mower deck.

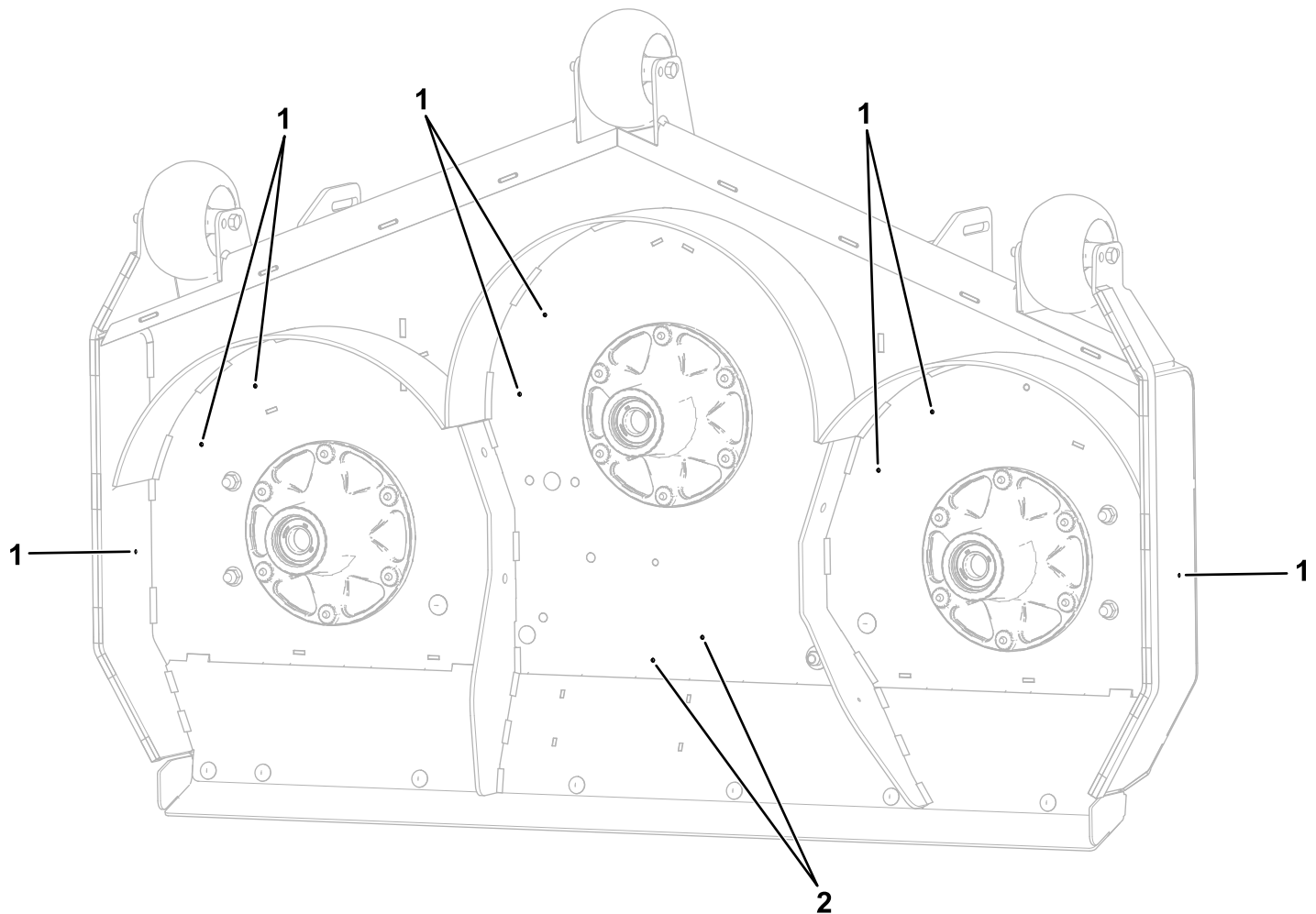


Figure 8

g371885

1. Install the new flange-head bolts (3/8 x 1 inch) and previously removed locknuts (3/8 inch) in these holes.
2. Remove the centre baffle support bracket only and secure the existing fitted flange-head bolts (5/16 x 1 inch) and shim plate using the previously removed locknuts (5/16 inch).

Removing the Baffle Supports

Reverse the steps in [5 Installing the Baffle Supports \(page 5\)](#) and install the previously removed carriage bolts (5/16 x 7/8 inch) and locknuts (5/16 inch) where you removed the baffle supports as shown in [Figure 9](#).

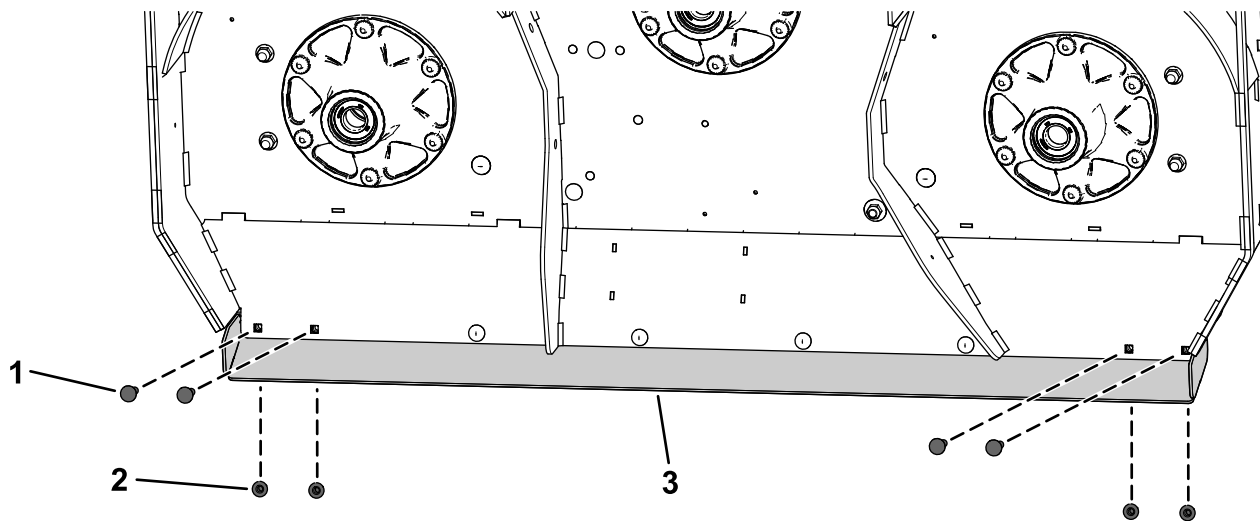


Figure 9

g345330

1. Carriage bolt (5/16 x 7/8 inch)
2. Locknut (5/16 inch)

3. Deflector bracket

Finishing Converting the Mower Deck for Rear-Discharge Operation

1. Install the non-recycling blades; refer to the *Operator's Manual* for your machine.
2. Install the belt covers and sheet-metal guard; refer to [2 Removing the Belt Covers and Sheet-Metal Guard \(page 2\)](#).

Operation

Selecting the Proper Height of Cut

Remove approximately 25 mm (1 inch) or no more than 1/3 of the grass blade when cutting. In exceptionally lush and dense grass you may need to raise the height of cut setting or convert to side discharge or bagging.

Mowing in Extreme Conditions

Air is required to cut and recut grass clippings in the mower housing, so do not set the height-of-cut too low or fully surround the housing by uncut grass. Always try to keep the back of the mower deck free from uncut grass, allowing air to be drawn into the housing. When making an initial cut through the center of an uncut area, operate the machine slower and back the machine if the mower starts to clog.

Mowing at Correct Intervals

Grass grows at different rates at different times of the year. To maintain the same cutting height, mow more often in early spring. As the grass growth rate slows in mid summer, mow less frequently. If you cannot mow for an extended period, first mow at a high cutting height, then mow again 2 days later at a lower height setting.

Mowing with Sharp Blades

A sharp blade cuts cleanly and without tearing or shredding the grass. A dull blade tears and shreds the grass. Tearing and shredding causes the grass to turn brown at the edges, which impairs growth and increases susceptibility to disease.

Cleaning the Mower Deck

Service Interval: After each use

To ensure optimum performance, clean the underside of the mower deck after each use.

Important: Do not use brackish or reclaimed water to clean the machine.

Note: If residue grass builds up in the mower deck, cutting performance decreases.