



# Wheel Horse® 17-44HXL

## Lawn Tractor

Model No. 71228-220010001 and Up

## Parts Catalog

---

### Ordering Replacement Parts

To order replacement parts, please supply: the part number, the quantity, and the description of each part desired.

### Understanding Reference Numbers

Each identified part in an illustration has a reference number. The reference number for a part also appears in the parts list, along with other information about the part.

This catalog uses two special reference number formats, one to indicate parts in a service assembly and another to indicate the quantity of a given part in an illustration.

### Service Assembly Reference Numbers

Parts in service assemblies have reference numbers in the form **a:b**. The **a** represents the reference number of the entire service assembly and the **b** represents a sequential number unique to each part within the service assembly.

For example, a wheel assembly might be identified by reference number **6**, the tire by **6:1**, the valve by **6:2**, and the wheel by **6:3**. When you order the assembly identified by reference number **6**, you receive all parts identified by reference numbers **6:1**, **6:2**, and **6:3**. However, you may also order any part individually.

Reference numbers of this type appear in illustrations and in part lists.

### Reference Numbers Indicating Quantity

In an illustration, if a reference number indicates more than one part, the reference number has the form **nX y**. The **n** represents the quantity of the part, the **X** is the multiplication symbol, and the **y** represents the reference number.

For example, in an illustration, the reference number **2X 37** means that two of the parts identified by reference number **37** are indicated.

## Contents

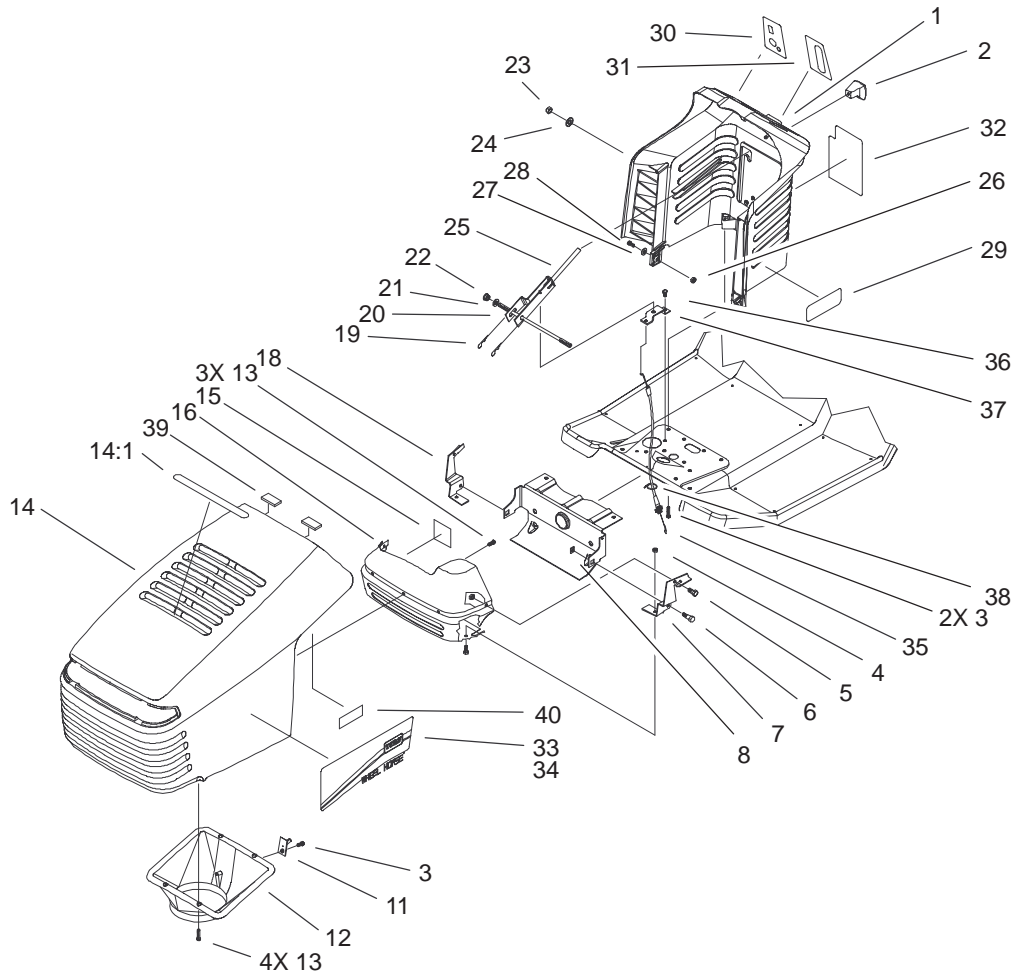
Description	Page	Description	Page
Frame and Body Assembly .....	3	Crankcase Assembly	
Hood and Tower Assembly .....	4	Engine Briggs and Stratton Model	
Rear Body and Seat Assembly .....	5	31F777-0123-E1 .....	26
Steering Component Assembly .....	6	Oil Filter, Tube and Pump Assembly	
Steering Assembly .....	7	Engine Briggs and Stratton Model	
Engine System Assembly .....	8	31F777-0123-E1 .....	27
Traction and Brake Assembly .....	9	Carburetor Assembly	
Wheel and Tire Assembly .....	10	Engine Briggs and Stratton Model	
Hydro Transaxle Assembly .....	11	31F777-0123-E1 .....	28
Hydro Transaxle Control/NMIR Assembly .....	12	Air Cleaner Assembly	
Height of Cut Assembly .....	13	Engine Briggs and Stratton Model	
Electrical Assembly .....	14	31F777-0123-E1 .....	29
Spindle and Blade Assembly .....	15	Governor Assembly	
Chute and Recycler Assembly .....	16	Engine Briggs and Stratton Model	
Pulley and Brake Assembly .....	17	31F777-0123-E1 .....	30
Decal and Belt Assembly .....	18	Blower Housing Assembly	
Housing Side and Axle Shaft Assembly .....	19	Engine Briggs and Stratton Model	
Gear Assembly .....	20	31F777-0123-E1 .....	31
Housing and Bearing Assembly .....	21	Starter Assembly	
Wiring Schematic .....	22	Engine Briggs and Stratton Model	
Cylinder Assembly		31F777-0123-E1 .....	32
Engine Briggs and Stratton Model		Gasket Assembly	
31F777-0123-E1 .....	23	Engine Briggs and Stratton Model	
Cylinder Head Assembly		31F777-0123-E1 .....	33
Engine Briggs and Stratton Model		Carburetor Overhaul Kit Assembly	
31F777-0123-E1 .....	24	Engine Briggs and Stratton Model	
Crankshaft Assembly		31F777-0123-E1 .....	34
Engine Briggs and Stratton Model			
31F777-0123-E1 .....	25		

## Part Description Abbreviations

Part descriptions in this catalog may include the following abbreviations.

Abbreviation	Meaning	Abbreviation	Meaning
AR .....	as required	HYD .....	hydraulic
ASM .....	assembly	INC .....	incorporated
CARR .....	carriage	LH .....	left hand
DEG .....	degrees	NI .....	nylon insert
FH .....	flat head	PPH .....	Phillips pan head
GA .....	gauge	PTH .....	Phillips truss head
HF .....	hex flange	PTO .....	power take off
HH .....	hex head	RH .....	right hand
HHF .....	hex head flange	SFH .....	slotted fillister head
HLH .....	hex lag head	SHH .....	slotted hex head
HJ .....	hex jam	SQH .....	square head
HOC .....	height-of-cut	SHWH .....	slotted hex washer head
HS .....	hex socket	SPH .....	slotted pan head
HSBH .....	hex socket button head	SRH .....	slotted round head
HSFH .....	hex socket flat head	STD .....	standard
HSH .....	hex socket head	TAP .....	self tapping
HWH .....	hex washer head	TTH .....	Torx truss head
HWHTF .....	hex washer head thread forming	WH .....	wing head





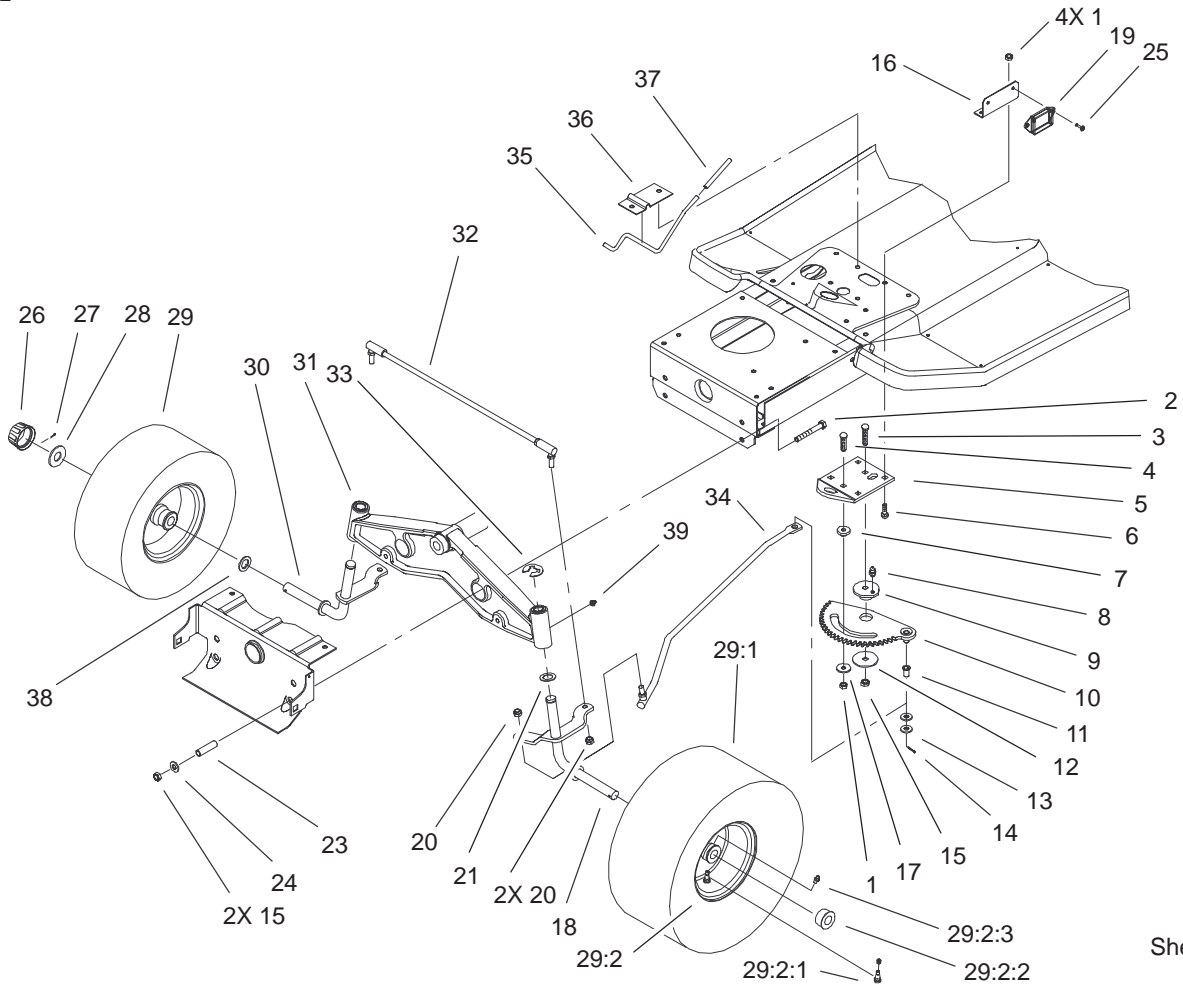
Sheet No.:3

## Hood and Tower Assembly

Ref. No.	Part No.	Qty.	Description
1	99-1947	1	Tower-Steering
2	94-5565	1	Knob-Shift
3	46-8091	3	Screw-HWH
4	3296-42	4	Nut-Lock, NI
5	321-2	4	Screw-HH
6	28-0540	2	Bolt-Shoulder
7	88-6050-03	1	Bracket-Hinge, LH
8	3290-496	2	Nut-Retainer
11	94-1984	1	Latch-Pin
12	93-3891	1	Duct - Hood Air
13	46-8090	7	Screw-Plastite
14	92-8650	1	Hood-V-Chassis Toro
14:1	92-5748	1	Decal-Air Duct Toro
15	92-5782	3	Tape-Foil
16	93-3864-03	1	Shield - Heat
18	88-6040-03	1	Bracket-Hinge, RH
19	3290-307	2	Pin-Hair
20	100-7401	1	Rod-Tower Pivot
21	3256-24	2	Washer-Flat
22	3218-3	2	Nut-Jam
23	100-7402	2	Nut-Cap
24	100-7403	2	Washer-Flat
25	88-5190-03	1	Lever-Deck Engage
26	3296-29	2	Nut-Lock, NI
27	3256-23	2	Washer-Flat

Ref. No.	Part No.	Qty.	Description
28	322-3	2	Screw-HH
29	99-5914	2	Decal-Tower 1744 Hxl
30	99-8139	1	Decal-Ignition/Lights
31	92-2461	1	Decal-Throttle
32	92-2462	1	Decal-Deck Engage
33	95-0808	1	Decal-Hood Left
34	95-0807	1	Decal-Hood Right
35	99-6838	1	44 Inch Deck Cable ASM
36	9266714	2	Screw-HWH
37	93-3849	1	Bracket-Upper Cable
38	614249	1	Tie-Strap
39	94-1980	2	Foam-Hood
40	104-4151	1	Decal-Service, 71228





Sheet No.:5

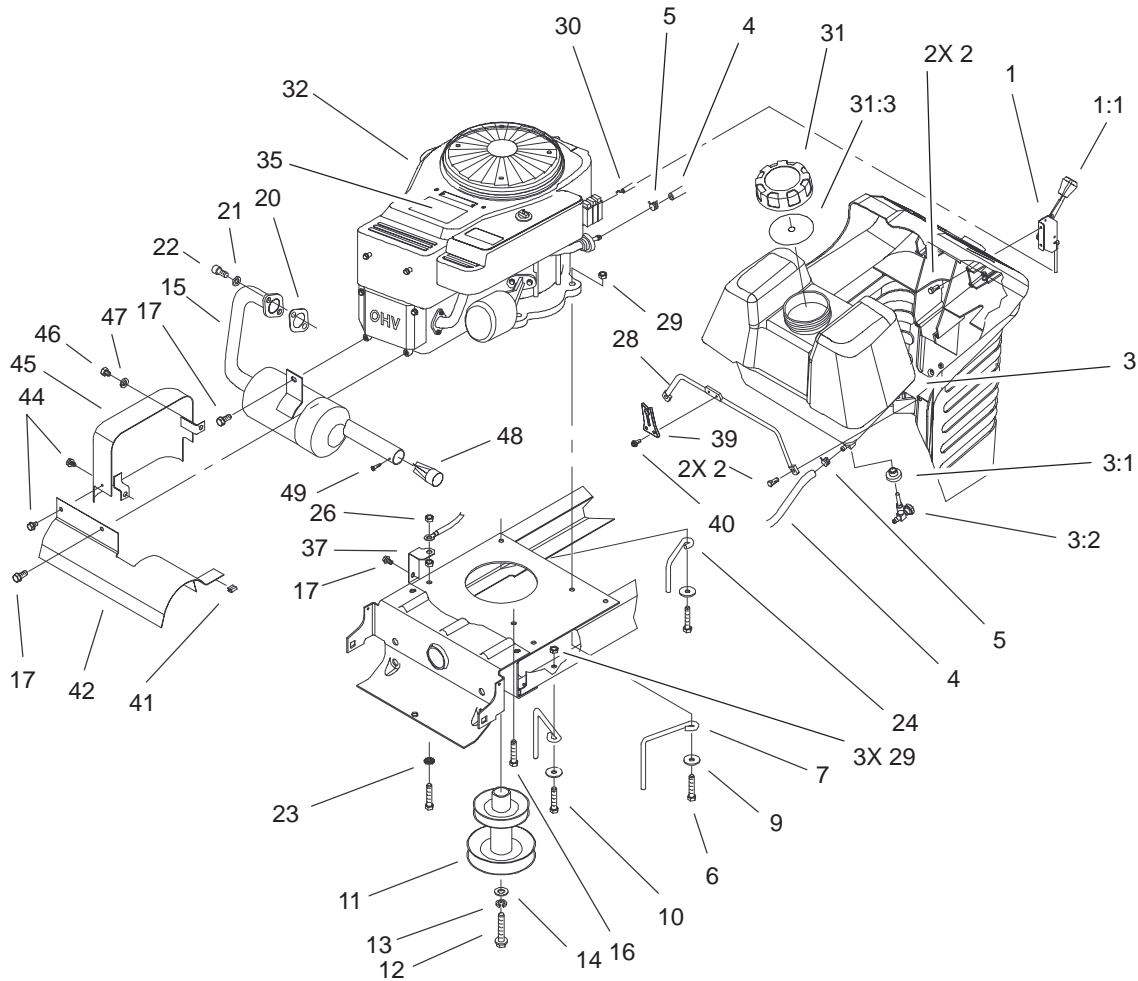
## Steering Component Assembly

Ref. No.	Part No.	Qty.	Description
1	3296-29	5	Nut-Lock, NI
2	323-13	2	Screw-HH
3	3231-4	1	Screw-CARR
4	3230-3	1	Screw-CARR
5	88-5130-03	1	Bracket-Steering Rack
6	3230-2	4	Screw-CARR
7	88-5010	1	Spacer - Steering Rack
8	302-26	1	Zerk
9	88-4670	1	Bushing - Eccentric
10	88-5200	1	Rack-Steering
11	52-2891	1	Bushing-Link, Steering
12	111419	1	Bearing-Washer
13	3256-25	2	Washer-Flat
14	3272-10	1	Pin-Cotter
15	3296-39	3	Nut-Lock, NI
16	99-2956-03	1	Bracket-Module
17	5-4460	1	Washer-Pivot
18	93-3833-03	1	Spindle-LH
19	99-3700	1	Module-Nmir
20	3296-5	3	Nut-Lock, NI
21	3-6498	2	Washer-Thrust
23	88-5470	2	Spacer-Front Axle
24	3256-24	2	Washer-Flat

Ref. No.	Part No.	Qty.	Description
25	9266714	2	Screw-HWH
26	61-9780	2	Cap-Hub
27	3272-12	2	Pin-Cotter
28	28-2480	2	Washer
29		2	Front Wheel&tire ASM
29:1	99-2988	1	Tire
29:2	88-4370	1	15 Inch Rim ASM
29:2:1	232-27	1	Stem-Valve
29:2:2	88-4400	2	Bearing - Wheel
29:2:3	302-5	1	Fitting-Grease
*	232-39	1	Tube
30	92-7889-03	1	Spindle-RH
31	99-2955-03	1	Axle-Front
32	93-3873	1	Tie Rod ASM
33	32151-48	2	E-Ring
34	93-3840	1	Link-Drag
35	88-5510	1	Rod-Parking Brake
36	88-5520-03	1	Bracket-Parking Brake
37	88-0890	1	Grip-Bag Handle
38	3-6498	4	Washer-Thrust
39	302-5	2	Fitting-Grease

\* Not illustrated





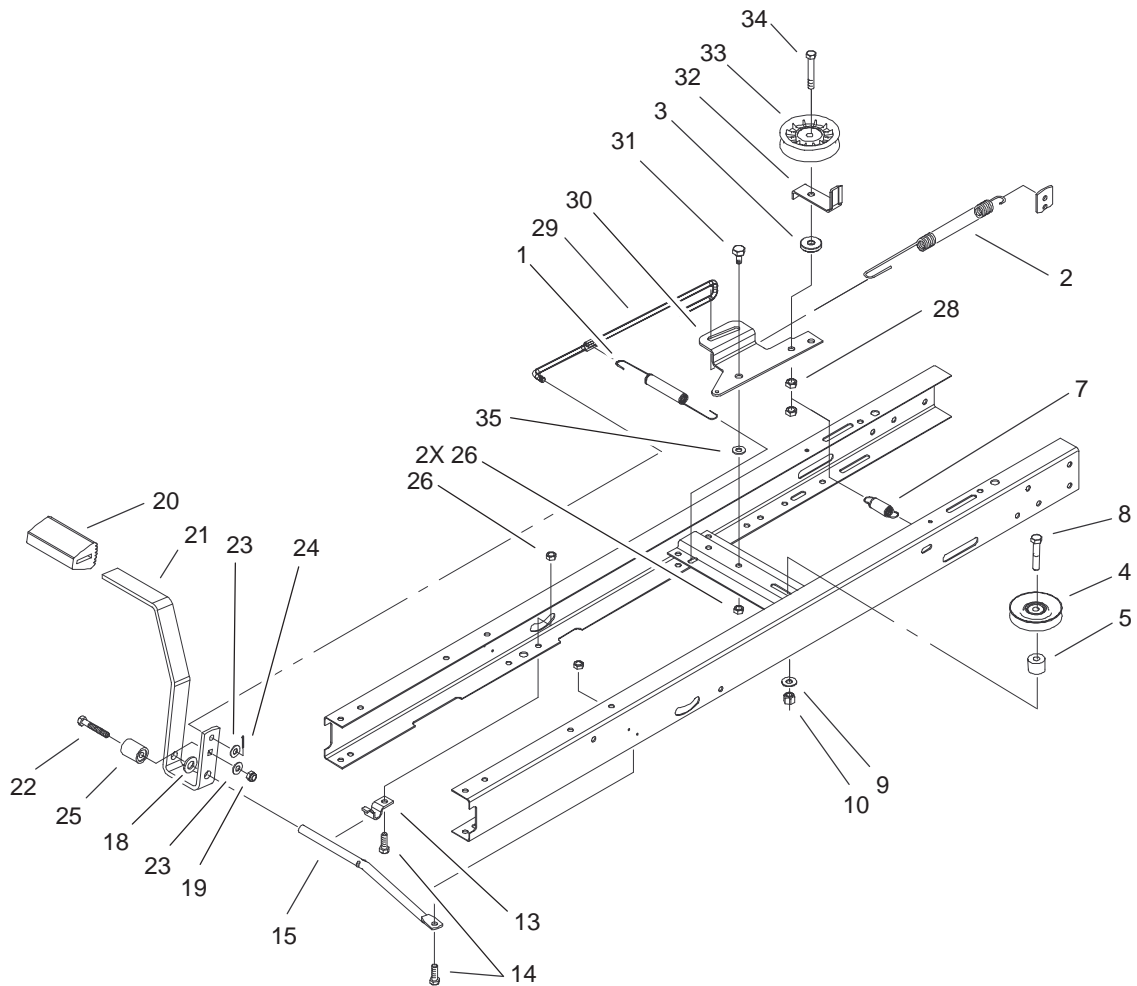
Sheet No.:7

## Engine System Assembly

Ref. No.	Part No.	Qty.	Description
1	88-4340	1	Control-Throttle
1:1	66-0120	1	Knob
2	27-0220	4	Screw-Special
3	88-3880	1	Gas Tank ASM
3:1	104047	1	Bushing
3:2	104048	1	Valve-Fuel
4	47-2963	1	Hose-Gas
5	2412-98	2	Clamp
6	322-9	3	Screw-HH
7	93-3854	3	Guide - Belt Engine
9	5-4460	4	Washer-Pivot
10	322-5	2	Screw-HH
11	100-7414	1	Pulley-Engine
12	62-3760	1	Screw-HH
13	3253-22	1	Washer-Lock
14	3256-25	1	Washer-Flat
15	99-6845	1	Muffler-17 HP
16	9267154	1	Screw
17	9266714	3	Screw-HWH
20	88-4410	1	Gasket-Muffler
21	3253-4	2	Washer-Lock
22	3274-10	2	Screw-HSH
23	3255-8	1	Washer-Lock/Ext
24	93-3855	1	Guide - Belt RH
26	32149-1	2	Nut
28	94-1952	1	Rod-Gas Tank

Ref. No.	Part No.	Qty.	Description
29	3296-29	4	Nut-Lock, NI
30	88-4350	1	Cable-Throttle
31	88-3980	1	Gas Cap ASM
31:3	88-4010	1	Gasket-Cap, Gas
☆32		1	Engine-17.0 Briggs And Stratton Model 31f777-0123-E1
35	105-2468	1	Decal - Engine
37	93-3809	1	Bracket- Ground
39	94-1951	1	Latch-Hood
40	32144-112	2	Screw-HWHTF
41	93-3882	1	Clip - Tinnerman, U
42	93-3880-03	1	Shield-Muffler
44	32104-76	2	Screw
45	93-8450-03	1	Exhaust Shield ASM
46	322-3	1	Screw-HH
47	3253-4	1	Washer-Lock
48	93-9911	1	Screen-Silencer, Exhaust
49	32144-42	1	Screw-HH

☆ Not serviced

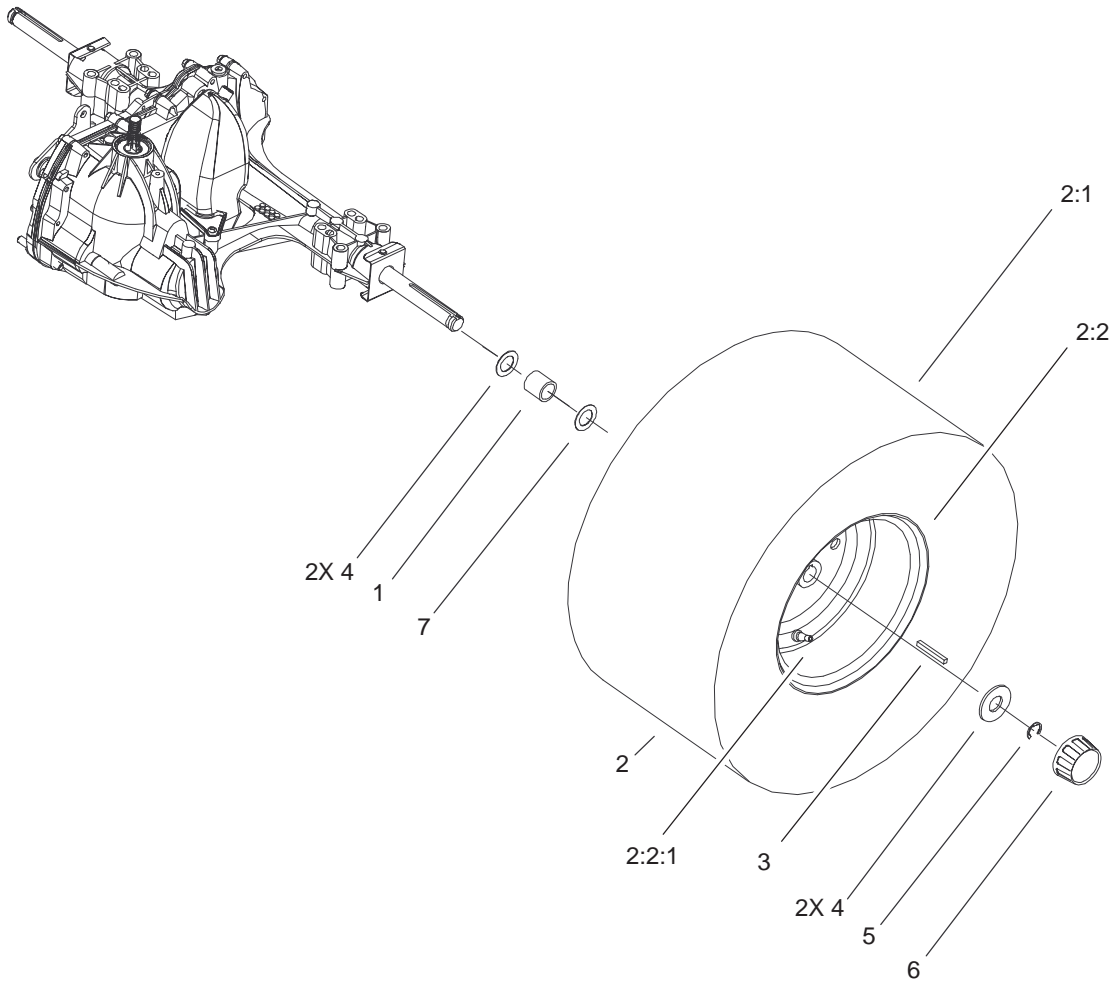


Sheet No.:8

## Traction and Brake Assembly

Ref. No.	Part No.	Qty.	Description
1	27-8890	1	Spring-Return
2	100-7422	1	Spring-Brake
3	92-4890	1	Washer - Wheel
4	92-7102	1	Pulley-Idler
5	92-5791	1	Spacer
7	88-6330	1	Spring-Extension
8	323-10	1	Screw-HH
9	3256-3	1	Washer-Flat
10	3296-39	1	Nut-Lock, NI
13	88-4810	1	Clamp-Shift Pivot
14	322-3	2	Screw-HH
15	88-5500	1	Rod-Pedal Pivot
18	3256-26	1	Washer-Flat
19	3296-47	1	Nut-Lock, NI
20	65-2920	1	Pad-Pedal
21	88-5000-03	1	Pedal-Clutch/Brake
22	322-9	1	Screw-HH
23	3256-23	2	Washer-Flat
24	3272-10	1	Pin-Cotter
25	99-6836	1	Spacer-Switch
26	3296-29	3	Nut-Lock, NI
28	3296-59	2	Nut-Lock NI
29	88-5270	1	Rod-Clutch/Brake
30	88-6070	1	Arm-Idler
31	37-8770	1	Bolt-Shoulder
32	88-5560	1	Guide-Idler Belt

Ref. No.	Part No.	Qty.	Description
33	104-4160	1	Pulley-Idler
34	323-11	1	Screw-HH
35	5-4460	1	Washer-Pivot



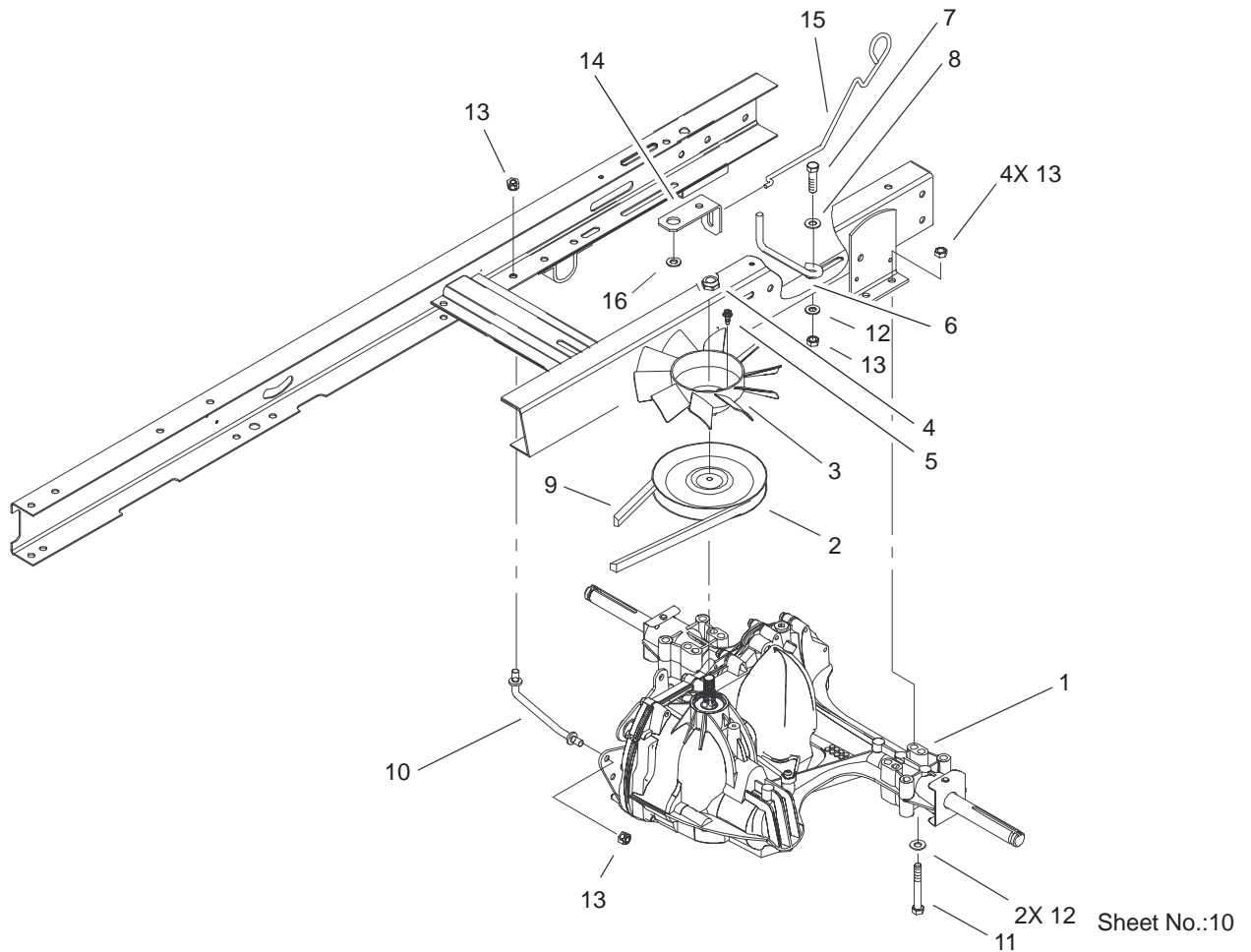
Sheet No.:9

## Wheel and Tire Assembly

Ref. No.	Part No.	Qty.	Description
1	104-4161	2	Spacer-Wheel
2		2	Rear Wheel & Tire ASM
2:1	99-2994	1	Tire
2:2	88-4390	1	Rim ASM
2:2:1	232-27	1	Stem-Valve
*	93-3893	1	Tube - Inner
3	7-0036	2	Key
4	28-2480	4	Washer
5	32151-48	2	E-Ring
6	61-9780	2	Cap-Hub
7	3-6498	2	Washer-Thrust

Ref. No.	Part No.	Qty.	Description

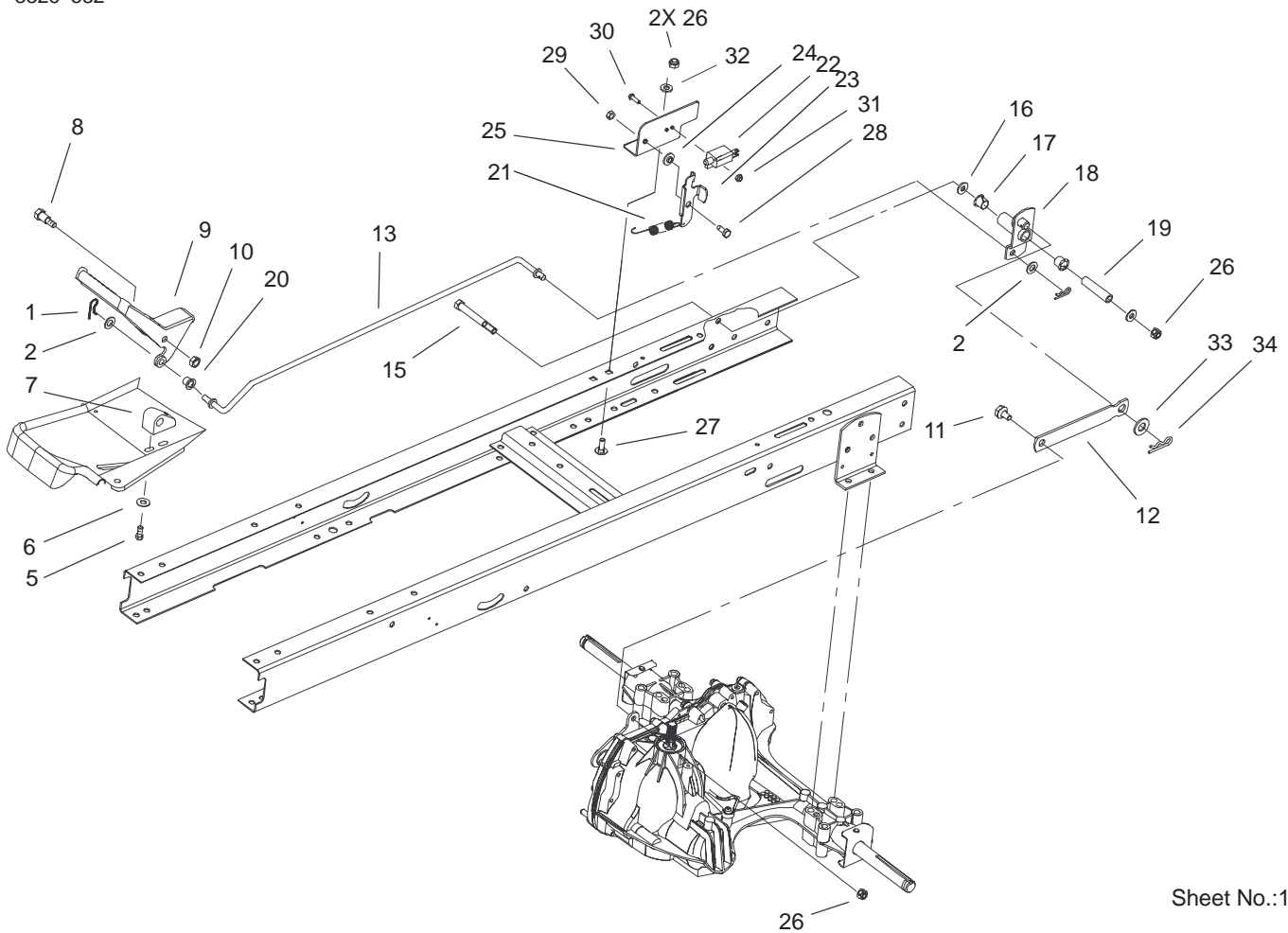
\* Not illustrated



## Hydro Transaxle Assembly

Ref. No.	Part No.	Qty.	Description
1	104-1760	1	Transaxle ASM
2	104-1753	1	Pulley-5.5 Inch
3	104-2162	1	Fan
4	3296-28	1	Nut-Lock, NI
5	9134304	3	Screw
6	93-3868	1	Guide - Transmission Belt
7	322-5	1	Screw-HH
8	5-4460	1	Washer-Pivot
9	88-6250	1	V-Belt
10	100-6225	1	Strap-Torque
11	322-13	4	Screw-HH
12	3256-23	3	Washer-Flat
13	3296-29	7	Nut-Lock, NI
14	100-7406	1	Bracket-Bypass
15	100-7407	1	Wire-Bypass
16	3256-3	1	Washer-Flat

Ref. No.	Part No.	Qty.	Description



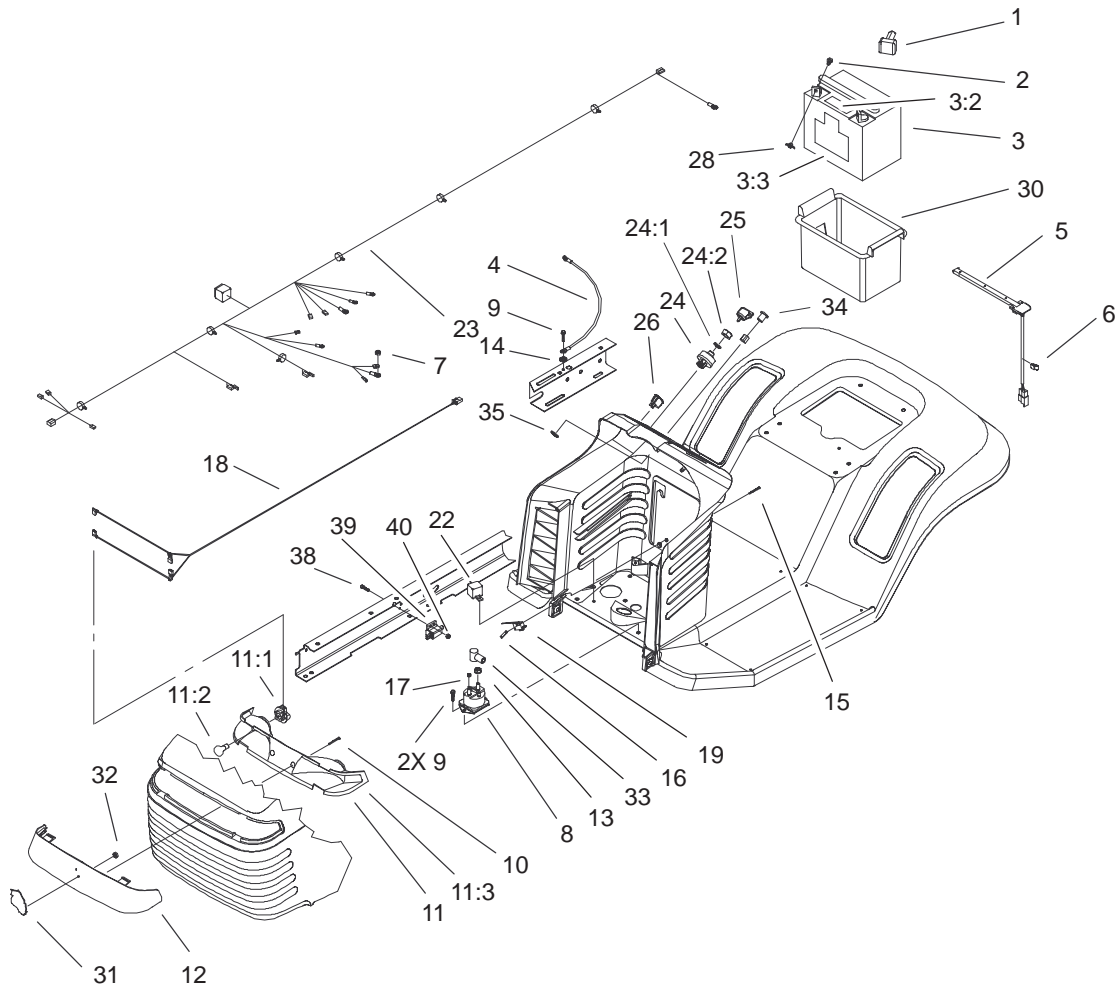
Sheet No.:11

## Hydro Transaxle Control/NMIR Assembly

Ref. No.	Part No.	Qty.	Description
1	3290-307	2	Pin-Hair
2	3256-38	2	Washer-Flat
5	46-8090	2	Screw-Plastite
6	3256-22	2	Washer-Flat
7	88-4690	1	Block-Pivot
8	23-0310	1	Bolt-Shoulder
9	99-6120-05	1	Pedal-Speed Control
10	3296-59	1	Nut-Lock NI
11	37-8770	1	Bolt-Shoulder
12	99-6849	1	Link-Speed Control
13	99-6839	1	Rod-Speed Control
15	322-14	1	Screw-HH
16	3256-2	2	Washer-Flat
17	256-257	2	Flange-Nyliner
18	99-6835-03	1	Pivot ASM
19	99-6832	1	Spacer-Pivot
20	99-6121	1	Bushing
21	99-6805	1	Spring-Extension
22	95-1653	1	Switch-Single Pole
23	99-6807	1	Bracket - Pivot
24	99-6808	1	Washer-Stepped
25	99-6806	1	Bracket - Adjustment
26	3296-29	4	Nut-Lock, NI
27	3230-18	2	Screw-CARR
28	99-6810	1	Screw-Hex Hd
29	3296-42	1	Nut-Lock, NI

Ref. No.	Part No.	Qty.	Description
30	3290-392	2	Screw - HHF
31	3296-1	2	Nut-Lock NI
32	3256-23	2	Washer-Flat
33	3256-26	1	Washer-Flat
34	9335054	1	Pin-Hair



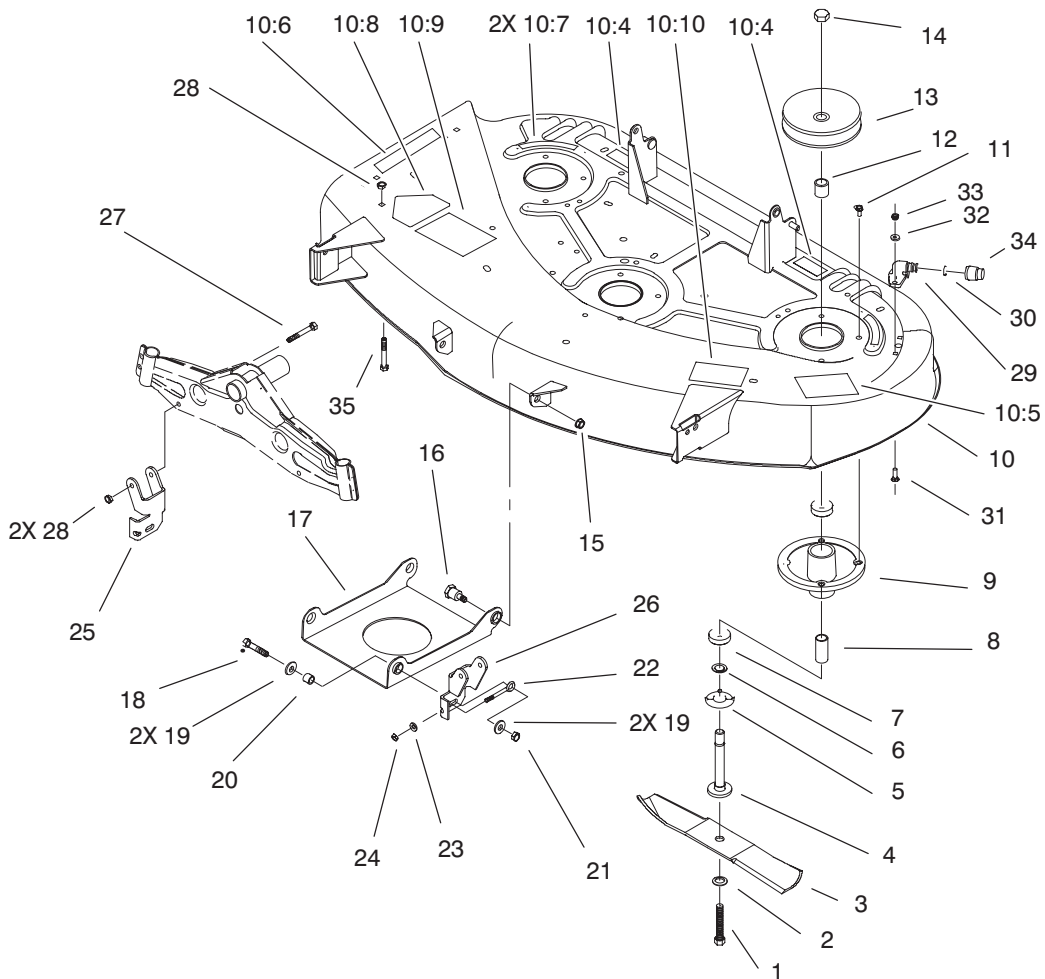


Sheet No.:13

## Electrical Assembly

Ref. No.	Part No.	Qty.	Description
1	28-8080	1	Boot-Terminal
2	321-4	2	Screw-HH
3	104-1755	1	Battery-155 Cca
3:2	104-4163	1	Decal-Battery
3:3	104-4164	1	Decal-Battery
4	44-8110	1	Wire ASM
5	38-1420	1	Switch-Seat
6	702366	1	Clip-Wire Retainer
7	32149-2	1	Nut
8	28-4210	1	Solenoid
9	9266714	3	Screw-HWH
10	32144-32	2	Screw
11	88-3970	1	Reflector And Lamp ASM
11:1	111686	2	Socket-Light
11:2	7228	2	Bulb -No. 1156
11:3	93-8741	1	Reflector
12	88-3960	1	Lens-Headlight
13	32149-1	2	Nut
14	3255-7	2	Washer-Lock/Ext
15	93-0539	2	Screw-HH
16	3290-354	1	Nut-Speed
17	32149-8	2	Nut-Keps
18	99-1935	1	Harness-Headlight
19	88-9932	1	Switch-Micro
22	98-7249	1	Relay

Ref. No.	Part No.	Qty.	Description
23	99-6840	1	Harness-Wire, Hydro
24	88-9830	1	Key Switch ASM
24:1	3254-5	1	Washer-Lock, Internal
24:2	218-461	1	Nut-HH
25	63-8360	1	Key-Ignition
26	92-8875	1	Switch - Rocker
28	32103-22	2	Nut-Wing
30	88-4040	1	Box-Battery
31	80-2240	1	Emblem-Grille Wheelhorse
32	3290-299	1	Clip
33	93-3190	1	Boot-Terminal, Insulator
34	95-7652	1	Light - Indicator
35	99-6059	1	Clip-Retainer
38	3274-14	2	Screw-HSH
39	65-7410	1	Switch - Single Pole
40	3296-2	2	Nut-Lock

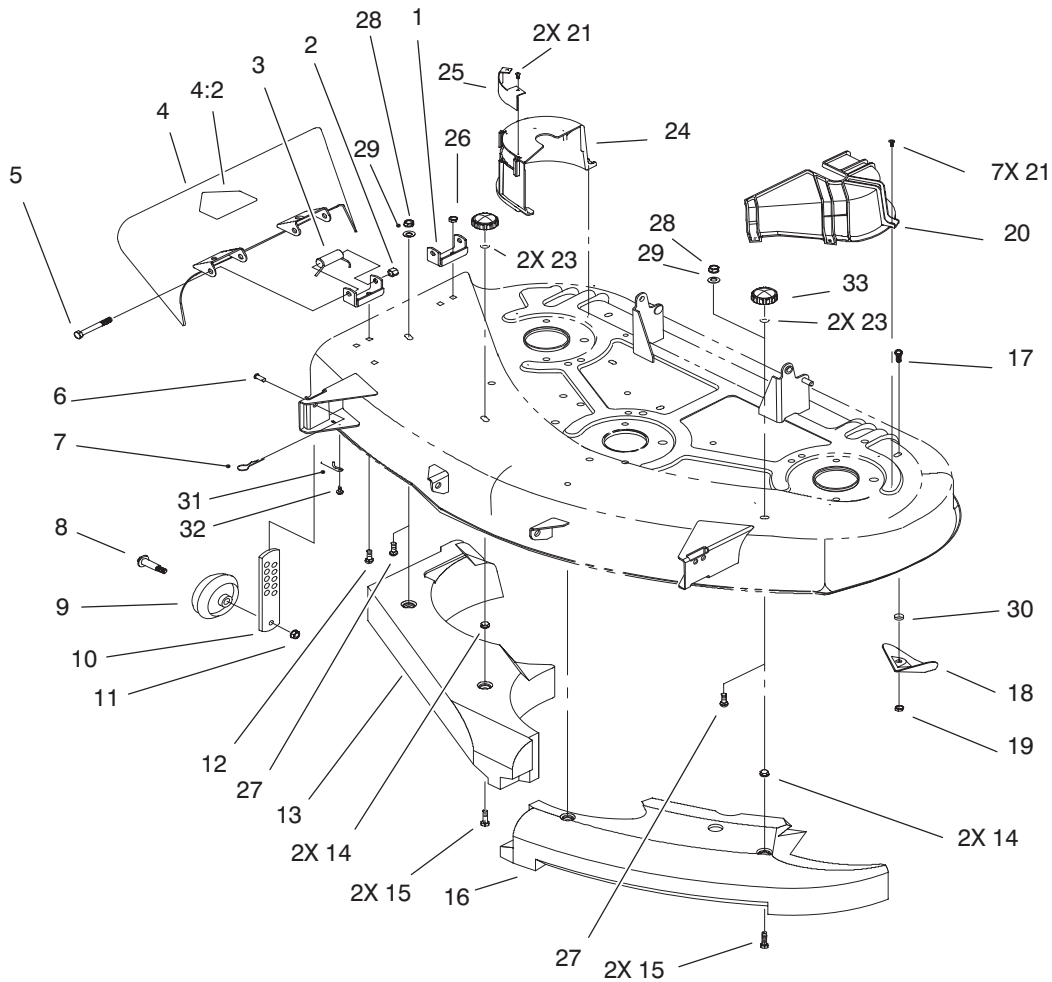


Sheet No.:2

## Spindle and Blade Assembly

Ref. No.	Part No.	Qty.	Description
1	26-0671	3	Screw-Blade
2	3290-465	3	Washer-Belleville
3	92-7952	3	Blade-Recycler
4	80-4342	3	Shaft-Spindle
5	80-4360	3	Shield-Bearing
6	80-4380	3	Spacer
7	100-1048	6	Bearing-Ball
8	62-3661	3	Spacer-Bearing
9	88-4510	3	Spindle
10	95-6107	1	Deck ASM
10:4	55-4300	2	Decal-Warning
10:5	66-1340	1	Decal-Danger
10:6	68-3650	1	Decal-Deflector Danger
10:7	68-3660	2	Decal-Shield Danger
10:8	93-1122	1	Decal-Danger
10:9	93-3777	1	Decal, Belt Install
10:10	93-7282	1	Decal-Wheel Adjustment
11	32144-41	12	Screw-Taptite
12	88-5360	3	Spacer
13	88-5330	3	Pully-Deck
14	3219-6	3	Nut-Hex
15	3296-23	2	Nut-Lock, NI
16	94-5823	2	Bolt-Shoulder

Ref. No.	Part No.	Qty.	Description
17	93-3881-03	1	Pan-Front Deck, Suspension
18	323-9	2	Screw-HH
19	80-6990	4	Washer-Hardened
20	93-9847	2	Spacer
21	3296-39	2	Nut-Lock, NI
22	61-9980	2	Screw-Adjusting
23	3256-22	2	Washer-Flat
24	3296-42	2	Nut-Lock, NI
25	93-9849-03	1	Bracket-RH
26	93-9848-03	1	Bracket-LH
27	322-12	2	Screw-HH
28	3296-29	3	Nut-Lock, NI
29	95-2747	1	Fitting-Washout
30	46-6290	1	O-Ring
31	3229-1	2	Screw-CARR
32	3256-1	2	Washer-Flat
33	3296-16	2	Nut-Lock, NI
34	95-3270	1	Connector-Hose
35	322-1	1	Screw-HH



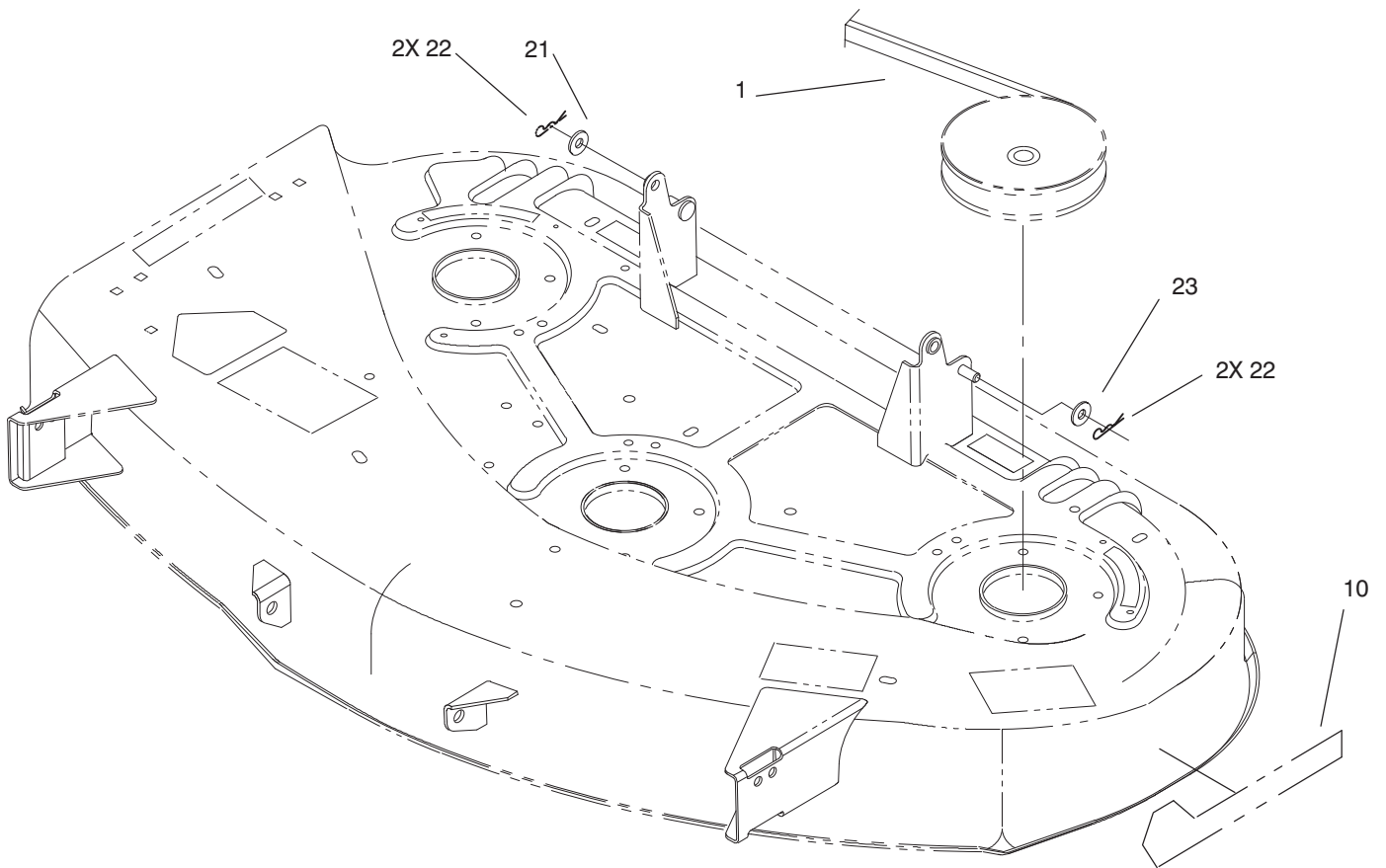
Sheet No.:3

## Chute and Recycler Assembly

Ref. No.	Part No.	Qty.	Description
1	29-5590-03	2	Bracket-Pivot
2	3296-5	2	Nut-Lock, NI
3	40-6230	2	Spring
4	100-6206	1	Deflector ASM
4:2	43-8480	1	Decal-Danger
5	3211-15	2	Screw-HH
6	283-2	2	Pin-Clevis
7	3290-307	2	Pin-Hair
8	56-6591	2	Bolt-Wheel
9	701756	2	Wheel-Gage
10	93-8010	2	Plate-Gage Wheel
11	3296-59	2	Nut-Lock NI
12	3230-23	4	Screw-CARR
13	93-7651	1	Baffle-RH
14	32149-1	4	Nut
15	322-6	4	Screw-HH
16	93-7652	1	Baffle-LH
17	3230-23	4	Screw-CARR
18	84-5760	4	Plate-Kicker
19	3296-29	4	Nut-Lock, NI
20	93-3866	1	Cover-Belt, LH
21	32104-76	9	Screw
23	3290-456	4	Washer-Belleville
24	93-3865	1	Cover-Belt, RH
25	93-3876-03	1	Insert-Belt Cover
26	3296-29	4	Nut-Lock, NI

Ref. No.	Part No.	Qty.	Description
27	3231-21	2	Screw-CARR
28	3296-39	2	Nut-Lock, NI
29	3256-5	2	Washer-Flat
30	59-4310	4	Spacer
31	94-1981	2	Spring-Gage Wheel
32	32104-76	2	Screw
33	94-5583	4	Knob



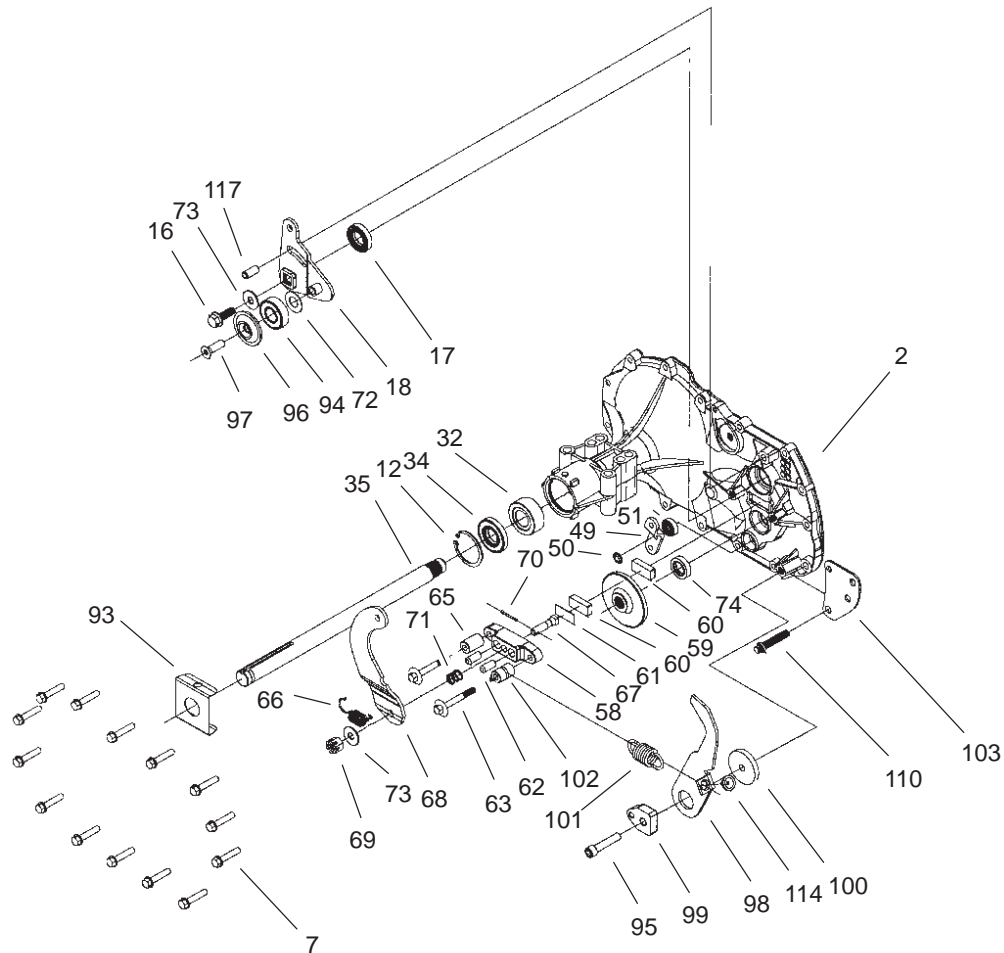


Sheet No.:5

## Decal and Belt Assembly

Ref. No.	Part No.	Qty.	Description
1	93-3884	1	V-Belt, Deck
10	100-6204	1	Decal - Recycler, 44"
21	3256-24	2	Washer-Flat
22	3290-307	4	Pin-Hair
23	80-6990	2	Washer-Hardened

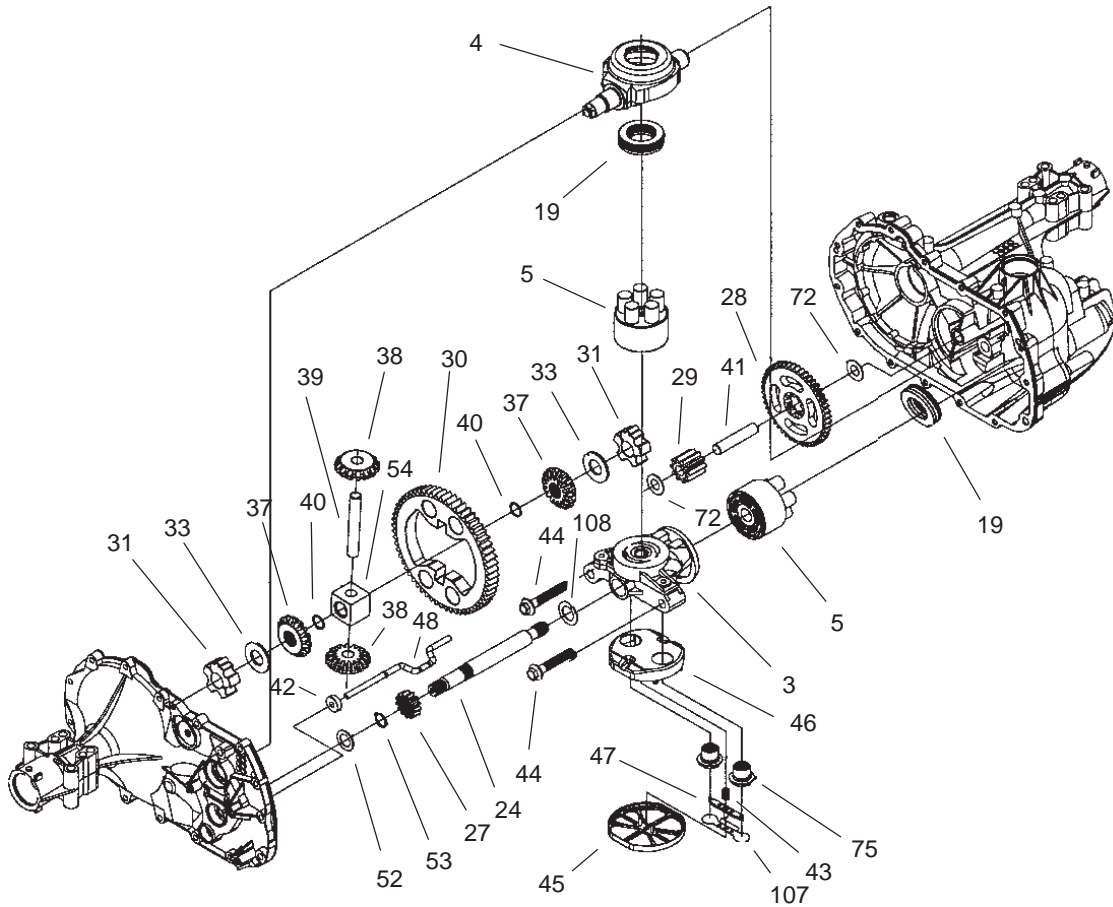
Ref. No.	Part No.	Qty.	Description



Sheet No.:3

## Housing Side and Axle Shaft Assembly

Ref. No.	Part No.	Qty.	Description	Ref. No.	Part No.	Qty.	Description
2	104-5302	1	Side Housing ASM	71	104-2188	1	Spring-Brake Anti Drag Comp.
7	104-5305	14	Screw-Hex Flange	72	94-1933	1	Washer
12	104-5309	1	Ring-Retaining	73	104-2146	2	Washer
16	104-5312	1	Screw-Hex Flange	74	104-5347	1	Seal-Oil
17	104-5313	1	Seal-Lip	93	104-5353	1	Clip-Spring
18	104-5314	1	Arm-Control	94	104-2156	1	Bearing
32	104-5321	1	Bearing-Sleeve, Outboard	95	104-2155	1	Screw
34	104-5322	1	Seal-Lip	96	104-2157	1	Spacer-Locating
35	104-5323	1	Shaft-Axle RH	97	104-2158	1	Screw-Countersunk
49	104-5336	1	Arm-Bypass	98	104-5354	1	Arm-Return
50	104-5337	1	Ring-Retaining	99	104-2119	1	Puck-Adjusting
51	104-5338	1	Seal-Lip	100	104-5355	1	Washer
58	104-5343	1	Yoke-Brake	101	104-5356	1	Spring-Extension
59	104-5344	1	Rotor-Brake	102	104-5357	1	Spacer
60	104-2171	2	Puck-Brake	103	104-5358	1	Bracket-Torque
61	104-2181	1	Puck-Plate	110	104-2148	1	Screw-Torx Head
62	104-2176	2	Pin-Brake	114	104-5363	1	Guide-Spring
63	104-5345	2	Screw-Hex Flange	117	104-5365	1	Pin-Spring
65	104-2180	1	Spacer				
66	104-2184	1	Spring-Brake Arm Bias				
67	104-2174	1	Bolt-Square Head				
68	104-5346	1	Arm-Brake				
69	93-3807	1	Nut - Castle				
70	104-2179	1	Pin-Cotter				



Sheet No.:4

## Gear Assembly

Ref. No.	Part No.	Qty.	Description
3	104-5303	1	Center Section ASM
4	104-5304	1	Swashplate-Trunnion Machined
5	104-2106	2	10cc Cylinder Block ASM
19	94-6922	2	Bearing - Thrust
24	104-5314	1	Arm-Control
27	104-5316	1	Gear-Pinion, 13t
28	104-5317	1	Gear- 10t/48t
29	104-5318	1	Gear-Jackshaft 10t
30	104-5319	1	Gear-Bull 60t
31	104-5320	2	Bearing-Sleeve
33	94-1943	2	Washer
37	104-5325	2	Gear-Miter
38	104-5326	2	Gear-Miter 15t
39	104-5327	1	Shaft
40	104-5328	2	Ring-Spiral Retaining
41	104-5329	1	Pin-Jackshaft
42	104-5330	1	Magnet-Ring
43	104-5331	1	Spring-Bypass
44	94-6926	2	Bolt
45	104-5332	1	Filter
46	104-5333	1	Base-Filter
47	104-5334	1	Actuator-Bypass
48	104-5335	1	Rod-Bypass Actuator
52	104-5339	1	Washer-Flat

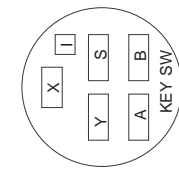
Ref. No.	Part No.	Qty.	Description
53	104-5340	1	Ring-Retaining
54	104-5341	1	Bearing-Center Block
72	94-1933	2	Washer
75	104-5348	2	Check Plug ASM
107	104-5359	1	Deflector
108	104-5360	1	Washer-Motor Shaft



# Wiring Schematic

KEY SWITCH PN 88-9830  
 OFF NO CONNECTION  
 ON B/A AND XY  
 START

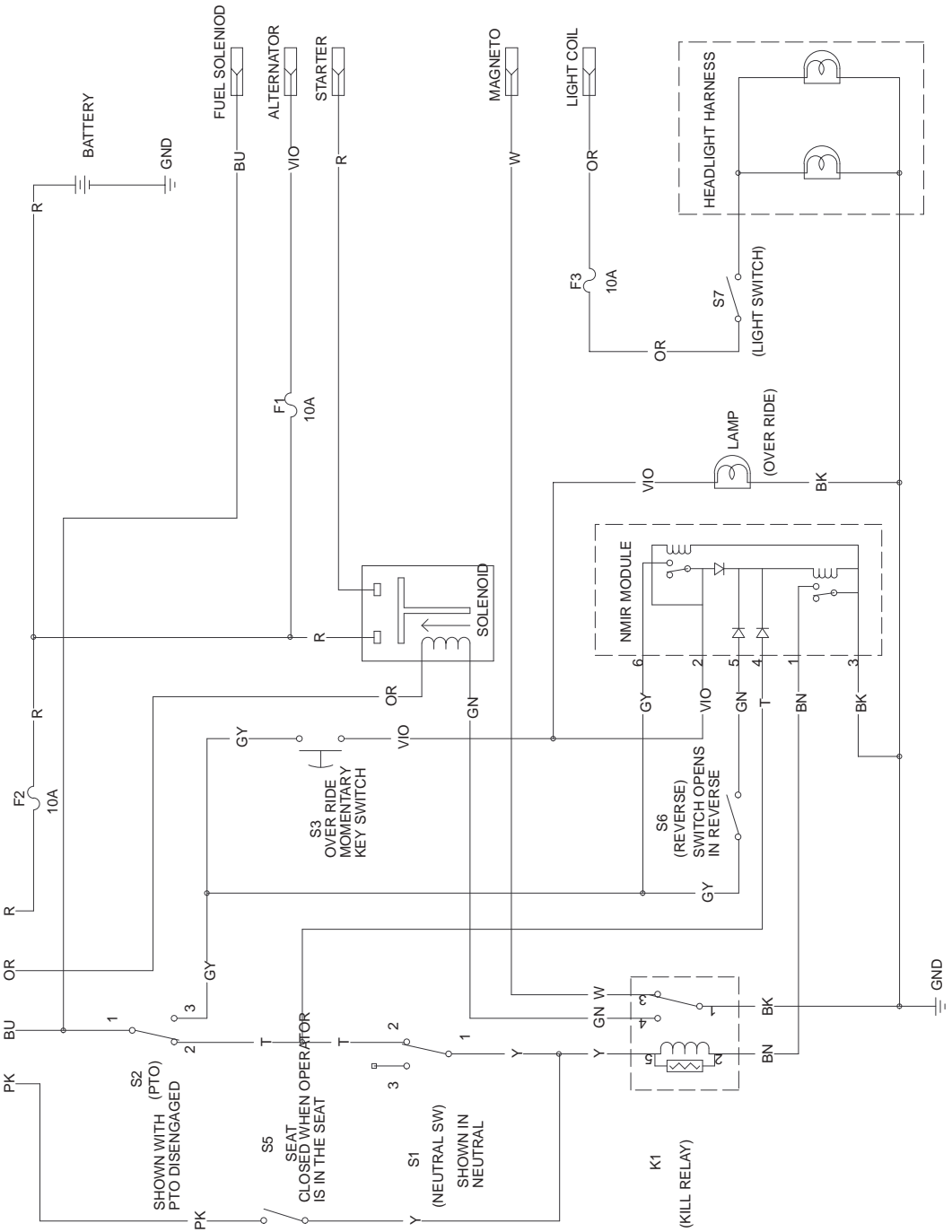
XL SCH.



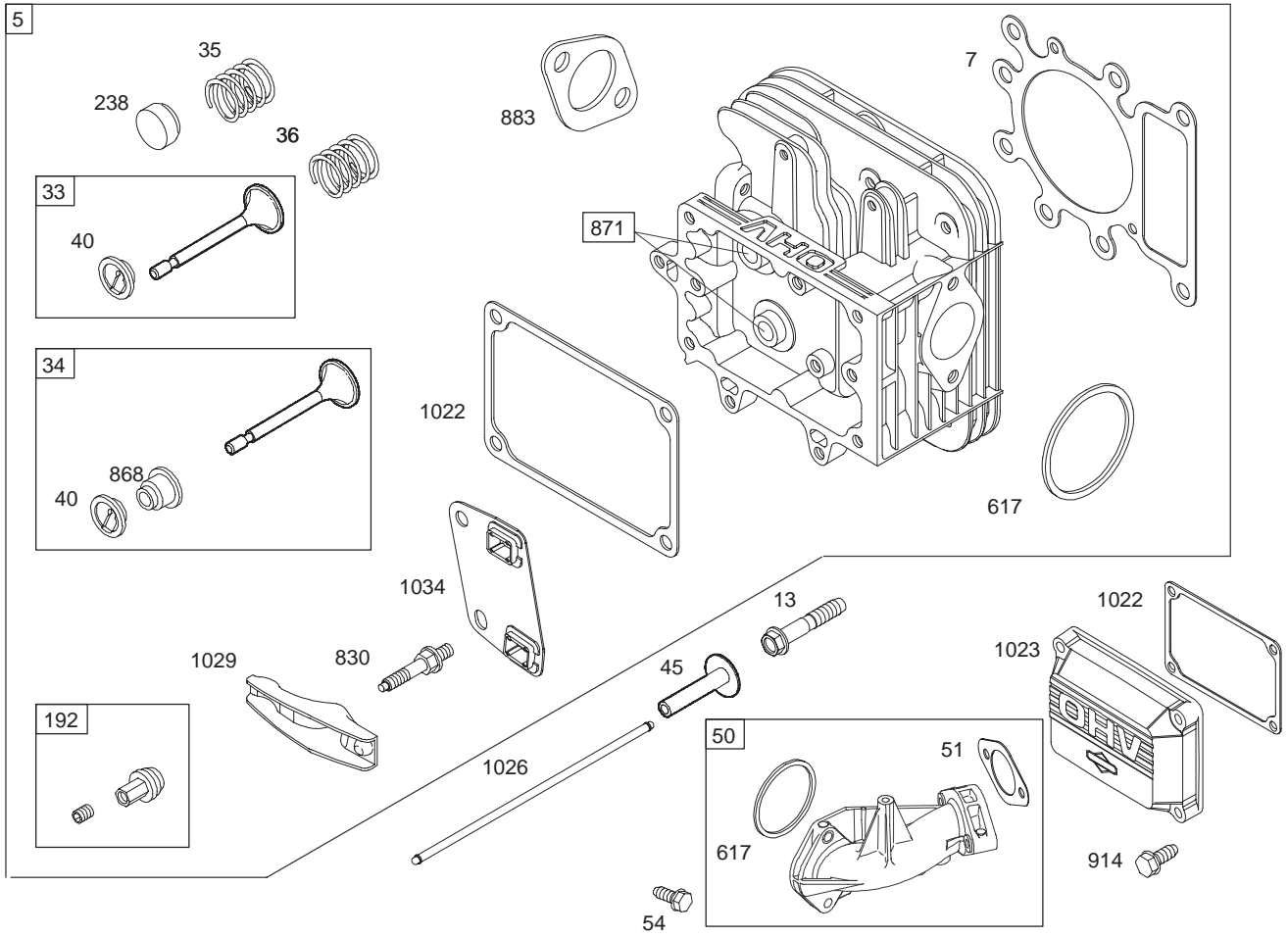
S4  
 (IGNITION)

WIRE COLOR CODES

BN	BROWN	PK	PINK
BU	BLUE	BK	BLACK
GY	GREY	Y	YELLOW
W	WHITE	T	TAN
VIO	VIOLET	GN	GREEN
R	RED	OR	ORANGE







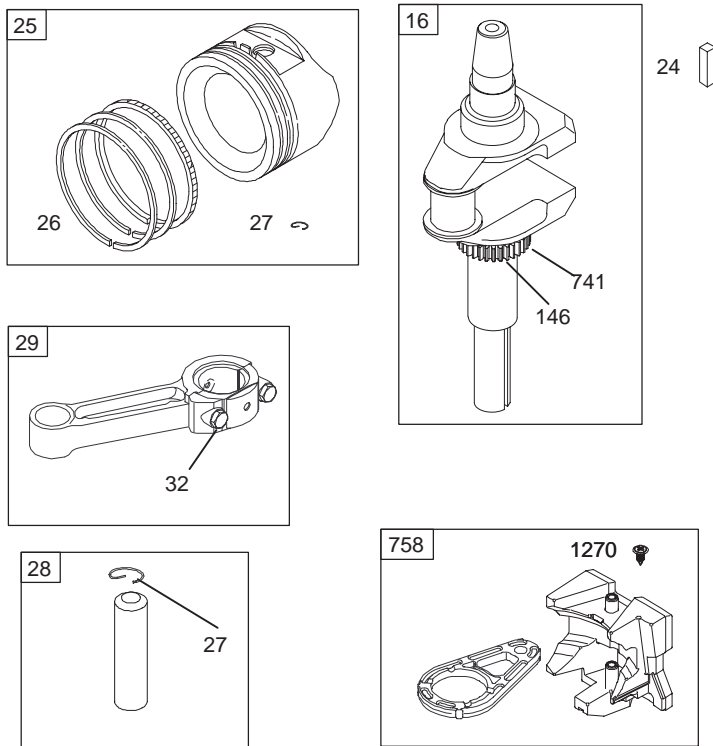
## Cylinder Head Assembly Engine Briggs and Stratton Model 31F777-0123-E1

Ref. No.	Part No.	Qty.	Description
5	690188	1	Head-Cylinder
★Δ7	692410	1	Gasket-Cylinder Head
13	690360	1	Screw (Cylinder Head Gasket)
33	495856	1	Valve-Exhaust
34	495857	1	Valve-Intake
35	691279	1	Spring-Valve (Intake)
36	691279	1	Spring-Valve (Exhaust)
40	691752	1	Retainer-Valve
45	690564	1	Tappet-Valve
50	690193	1	Manifold-Intake
★Δ◆51	692137	1	Gasket-Intake
54	691148	1	Screw (Intake Manifold)
192	691986	1	Adjustor-Rocker Arm
238	691843	1	Cap-Valve
★●617	692138	1	Seal-O Ring (Intake Manifold)
830	691095	1	Stud-Rocker Arm
Δ★868	690968	1	Seal-Valve
871	690969	1	Bushing-Valve Guide

Ref. No.	Part No.	Qty.	Description
883	692236	1	Gasket-Exhaust
914	690960	1	Screw (Rocker Cover)
★1022	272475	1	Gasket-Rocker Cover
1023	692492	1	Cover-Rocker
1026	692003	1	Rod-Push (Intake)
	692011	1	Rod-Push (Exhaust)
1029	691751	1	Arm-Rocker
1034	690822	1	Guide-Push Rod

Δ Included in Valve Gasket Set-Ref. 1095.

★ Included in Engine Gasket Set-Ref. 358.

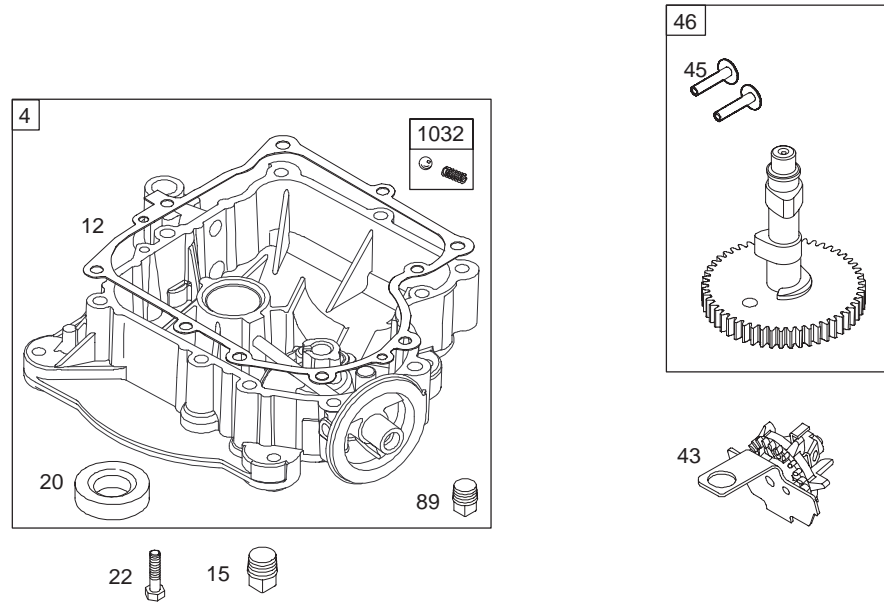


Assemblies include all parts shown in frames.

## Crankshaft Assembly Engine Briggs and Stratton Model 31F777-0123-E1

Ref. No.	Part No.	Qty.	Description
16	697127	1	Crankshaft
24	222698	1	Key-Flywheel
25	697159	1	Piston Assembly (Standard)
	697160	1	Piston Assembly (.010" Oversize)
	697162	1	Piston Assembly (.020" Oversize)
	697163	1	Piston Assembly (.030" Oversize)
26	697164	1	Ring Set (Standard)
	697165	1	Ring Set (.010" Oversize)
	697171	1	Ring Set (.020" Oversize)
	697172	1	Ring Set (.030" Oversize)
27	697199	1	Lock-Piston Pin
28	697099	1	Pin-Piston (Standard)

Ref. No.	Part No.	Qty.	Description
29	697126	1	Rod-Connecting (Standard)
	697264	1	Rod-Connecting (.020" Undersize)
32	692852	1	Screw (Connecting Rod)
146	690979	1	Key-Timing
741	697128	1	Gear-Timing
758	697134	1	Counterweight
1270	697156	1	Plug-AVS Counterweight



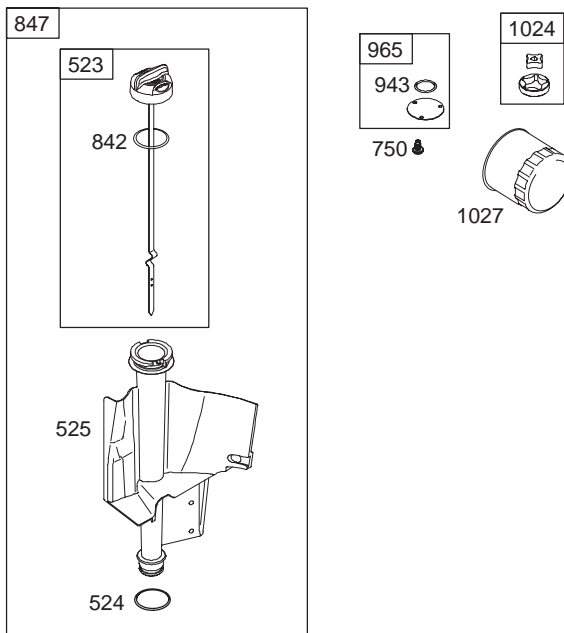
Assemblies include all parts shown in frames.

## Crankcase Assembly Engine Briggs and Stratton Model 31F777-0123-E1

Ref. No.	Part No.	Qty.	Description
4	697188	1	Sump-Engine
★12	697110	1	Gasket-Crankcase
15	690946	1	Plug-Oil Drain
★20	690947	1	Oil Seal (PTO Side)
22	692125	1	Screw (Engine Sump)
43	691968	1	Governor/Oil Slinger
45	690564	1	Tappet-Valve
46	697139	1	Camshaft
89	690283	1	Plug-Oil
1032	491710	1	Ball-Oil Pump

Ref. No.	Part No.	Qty.	Description

★ Included in Engine Gasket Set-Ref. 358.



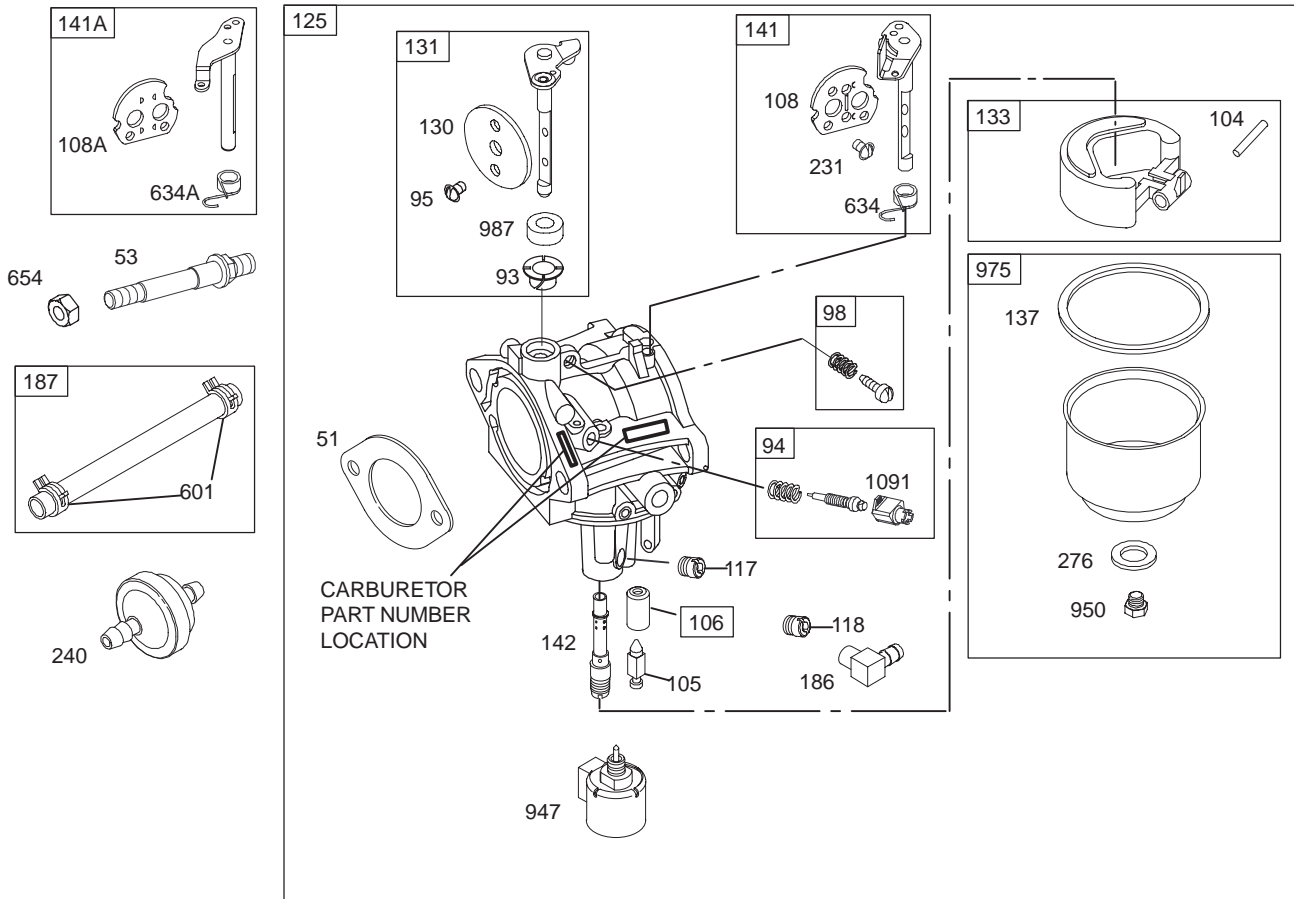
Assemblies include all parts shown in frames.

## Oil Filter, Tube and Pump Assembly Engine Briggs and Stratton Model 31F777-0123-E1

Ref. No.	Part No.	Qty.	Description
523	697086	1	Dipstick
★524	691032	1	Seal-O Ring (Dipstick Tube)
525	697085	1	Tube-Dipstick
750	691033	1	Screw (Oil Pump Cover)
★842	691031	1	Seal-O Ring (Dipstick)
847	697087	1	Dipstick/Tube Assembly
★943	690589	1	Seal-O Ring (Oil Pump Cover)
965	499613	1	Cover-Oil Pump
1024	499054	1	Pump-Oil
1027	492932	1	Filter-Oil

Ref. No.	Part No.	Qty.	Description

★ Included in Engine Gasket Set-Ref. 358.



Assemblies include all parts shown in frames.

## Carburetor Assembly Engine Briggs and Stratton Model 31F777-0123-E1

Ref. No.	Part No.	Qty.	Description
★△◆51	692137	1	Gasket-Intake
53	690227	1	Stud (Carburetor)
●93	690602	1	Bushing-Throttle Shaft
94	498030	1	Kit-Idle Mixture
●95	691636	1	Screw (Throttle Valve)
98	495800	1	Kit-Idle Speed
●104	690525	1	Pin-Float Hinge
●105	231855	1	Valve-Float Needle
●106	690577	1	Seat-Inlet
108	690464	1	Valve-Choke (Manual Choke)
108A	692344	1	Valve-Choke (Choke A Matic)
●117	694352	1	Jet-Main (Standard)
118	697228	1	Jet-Main (High Altitude)
125	697190	1	Carburetor
130	691750	1	Valve-Throttle
131	494379	1	Kit-Throttle Shaft
133	494381	1	Float-Carburetor
◆137	281165	1	Gasket-Float Bowl

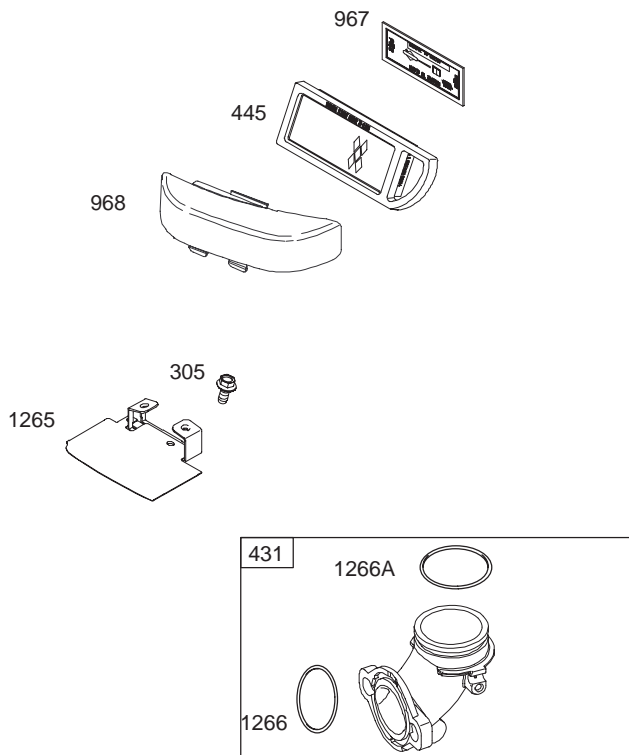
Ref. No.	Part No.	Qty.	Description
141	495097	1	Kit-Choke Shaft (Manual Choke)
141A	495931	1	Kit-Choke Shaft (Choke A Matic)
●142	697140	1	Nozzle-Carburetor
186	692317	1	Connector-Hose Line-Fuel
187	691050	1	(Cut to Required Length)
●231	691636	1	Screw (Choke Valve)
240	394358	1	Filter-Fuel
◆276	692255	1	Sealing Washer
601	95162	1	Clamp-Hose
●634	690801	1	Spring/Seal Assembly
●634A	690802	1	Spring/Seal Assembly
654	690958	1	Nut (Carburetor)
947	694393	1	Solenoid-Fuel
950	691657	1	Screw (Float Bowl)
975	495933	1	Bowl-Float
●987	691326	1	Seal-Throttle Shaft
1091	691333	1	Cap-Limiter

△ Included in Valve Gasket Set-Ref. 1095.

★ Included in Engine Gasket Set-Ref. 358.

● Included in Carburetor Overhaul Kit-Ref. 121.

◆ Included in Carburetor Gasket Set-Ref. 977.

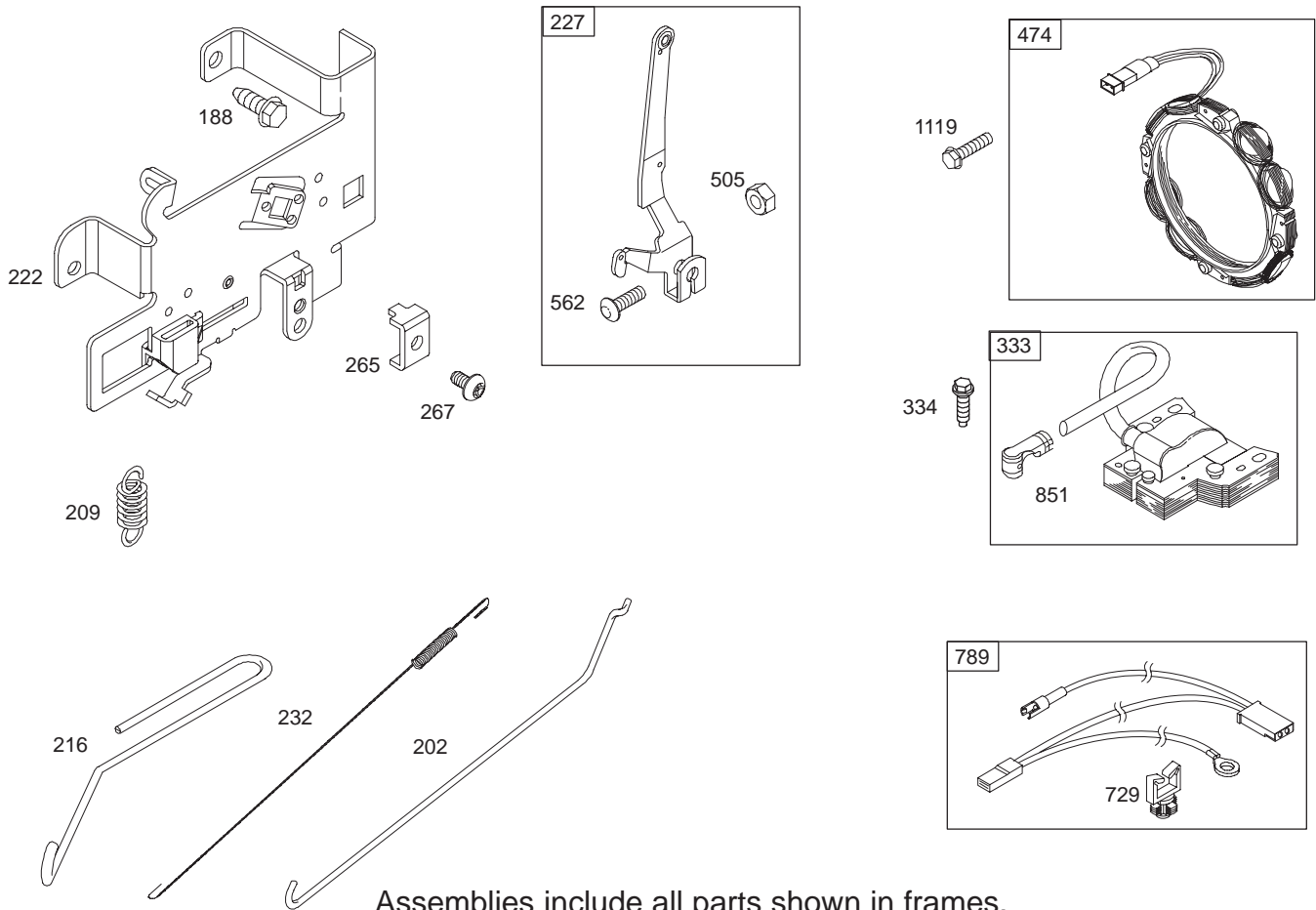


Assemblies include all parts shown in frames.

## Air Cleaner Assembly Engine Briggs and Stratton Model 31F777-0123-E1

Ref. No.	Part No.	Qty.	Description	Ref. No.	Part No.	Qty.	Description
305	690960	1	Screw (Blower Housing Support)				
431	697122	1	Elbow-Intake				
445	697014	1	Filter-Air Cleaner Cartridge				
967	697015	1	Filter-Pre Cleaner				
968	697084	1	Cover-Air Cleaner				
1265	697125	1	Support-Blower Housing				
★1266	691917	1	Seal-O Ring (Intake Elbow)				
★1266A	697123	1	Seal-O Ring (Intake Elbow)				

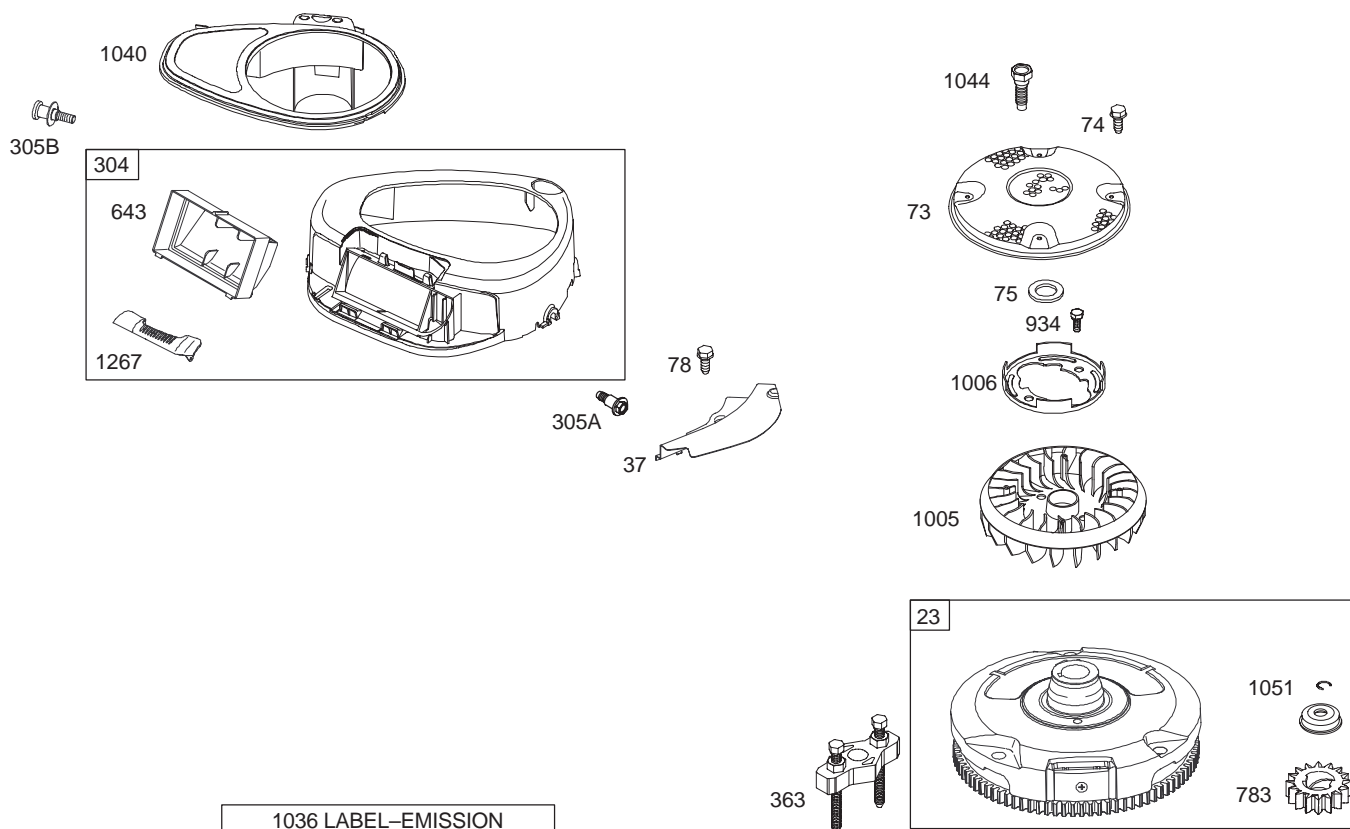
★ Included in Engine Gasket Set-Ref. 358.



## Governor Assembly Engine Briggs and Stratton Model 31F777-0123-E1

Ref. No.	Part No.	Qty.	Description
188	691693	1	Screw (Control Bracket)
202	691841	1	Link-Mechanical Governor
209	692208	1	Spring-Governor
216	691840	1	Link-Choke
222	694042	1	Bracket-Control
227	691374	1	Lever-Governor Control
232	691842	1	Spring-Governor Link
265	691024	1	Clamp-Casing
267	695134	1	Screw (Casing Clamp)
333	492341	1	Armature-Magneto
334	691061	1	Screw (Magneto Armature)
474	696459	1	Alternator
505	691251	1	Nut (Governor Control Lever)
562	691119	1	Bolt (Governor Control Lever)
729	691335	1	Clip-Wire

Ref. No.	Part No.	Qty.	Description
789	692037	1	Wiring-Harness
851	493880	1	Terminal-Spark Plug
1119	691183	1	Screw (Alternator)

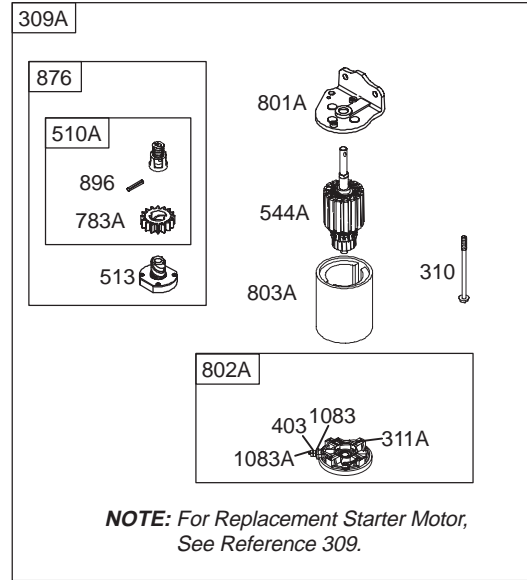
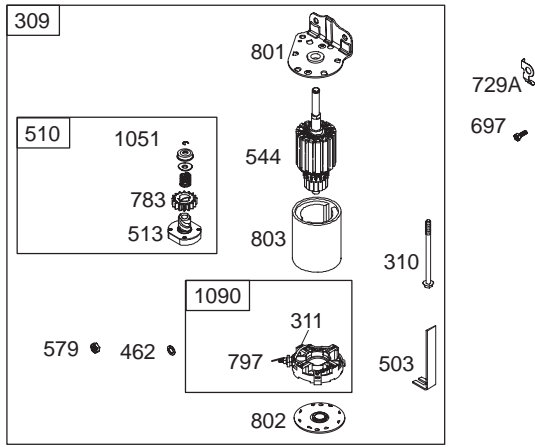


Assemblies include all parts shown in frames.

## Blower Housing Assembly Engine Briggs and Stratton Model 31F777-0123-E1

Ref. No.	Part No.	Qty.	Description
23	693557	1	Flywheel
37	697108	1	Guard-Flywheel
73	697133	1	Screen-Rotating
74	690661	1	Screw (Rotating Screen)
75	690582	1	Washer (Flywheel)
78	690661	1	Screw (Flywheel Guard)
304	697137	1	Housing-Blower
305A	697102	1	Screw (Blower Housing)
305B	697103	1	Screw (Blower Housing)
363	19203	1	Puller-Flywheel
643	697155	1	Retainer-Air Filter
783	693713	1	Gear-Pinion
934	691058	1	Screw (Fan Retainer)
1005	697111	1	Fan-Flywheel
1006	690452	1	Retainer-Fan
1036	695700	1	Label-Emission
1040	697142	1	Plate-Trim
1044	691658	1	Screw (Crankshaft Extension)

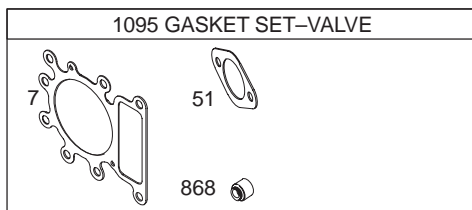
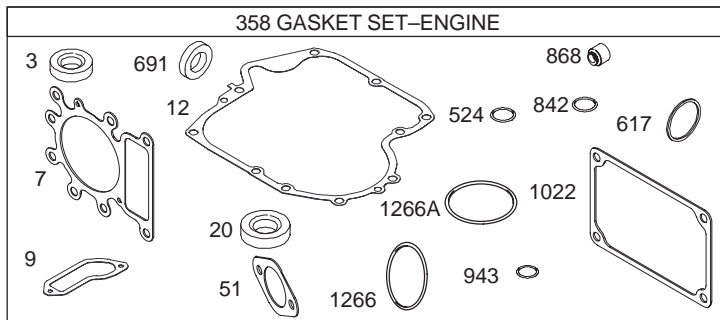
Ref. No.	Part No.	Qty.	Description
1051	691265	1	Ring-Retaining
1267	697135	1	Latch-Blower Housing



## Starter Assembly Engine Briggs and Stratton Model 31F777-0123-E1

Ref. No.	Part No.	Qty.	Description
309	693551	1	Motor-Starter
309A		1	Motor-Starter (For Replacement Starter Motor, See Ref. 309)
310	690323	1	Bolt (Starter Motor)
311	497608	1	Brush Set
311A	395538	1	Brush Set
403	690288	1	Washer (End Cap)
462	691261	1	Washer (Brush Retainer)
503	691532	1	Strap-Starter
510	693699	1	Drive-Starter
510A	495878	1	Drive-Starter
513	692024	1	Drive Clutch
544	692034	1	Armature-Starter
544A	390837	1	Armature-Starter
579	691029	1	Nut (Brush Retainer)
697	690372	1	Screw (Drive Cap)
729A	691224	1	Clip-Wire

Ref. No.	Part No.	Qty.	Description
783	693713	1	Gear-Pinion
783A	693059	1	Gear-Pinion
797	693167	1	Nut (Brush Retainer)
801	691283	1	Cap-Drive
801A	691429	1	Cap-Drive
802	691286	1	Cap-End
802A	395537	1	Cap-End
803	693757	1	Housing-Starter
803A	398159	1	Housing-Starter
876	495877	1	Kit-Gear
896	691641	1	Pin-Drive Retainer
1051	691265	1	Ring-Retaining
1090	691293	1	Retainer-Brush
1083	690958	1	Nut (End Cap)
1083A	691626	1	Nut (End Cap)



Assemblies include all parts shown in frames.

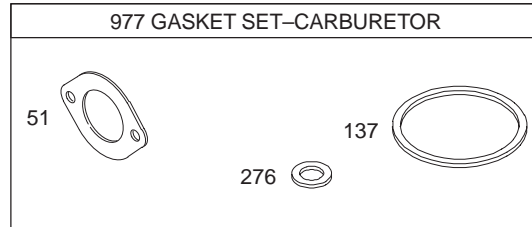
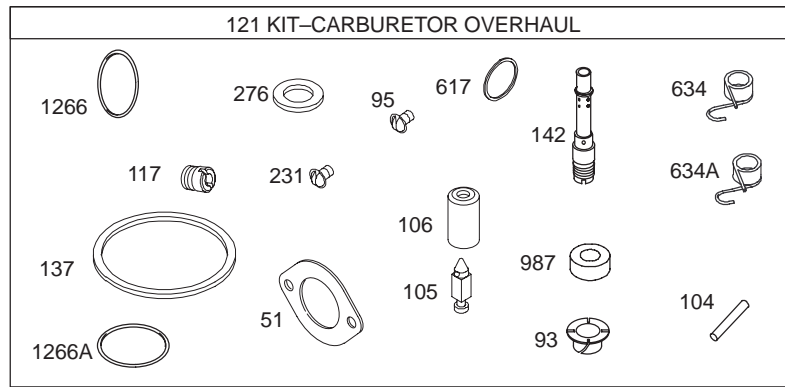
## Gasket Assembly Engine Briggs and Stratton Model 31F777-0123-E1

Ref. No.	Part No.	Qty.	Description
★3	391086	1	Seal-Oil (Magneto Side)
★Δ7	692410	1	Gasket-Cylinder Head
★9	697109	1	Gasket-Breather
★12	697110	1	Gasket-Crankcase
★20	690947	1	Seal-Oil (PTO Side)
★Δ◆51	692137	1	Gasket-Intake
358	697191	1	Gasket Set-Engine
★●617	692138	1	Seal-O Ring (Intake Manifold)
★524	691032	1	Seal-Dipstick Tube
★691	692407	1	Seal-Governor Shaft
★842	691031	1	Seal-O Ring (Dipstick Tube)
★Δ868	690968	1	Seal-Valve
★943	690589	1	Seal-O Ring (Oil Pump Cover)
★1022	272475	1	Gasket-Rocker Cover
1095	691581	1	Gasket Set-Valve
★●1266	691917	1	Seal-O Ring (Intake Elbow)
★●1266A	697123	1	Seal-O Ring (Intake Elbow)

Ref. No.	Part No.	Qty.	Description

Δ Included in Valve Gasket Set-Ref. 1095.  
★ Included in Engine Gasket Set-Ref. 358.

● Included in Carburetor Overhaul Kit-Ref. 121.  
◆ Included in Carburetor Gasket Set-Ref. 977.



Assemblies include all parts shown in frames.

## Carburetor Overhaul Kit Assembly Engine Briggs and Stratton Model 31F777-0123-E1

Ref. No.	Part No.	Qty.	Description
★△◆51	692137	1	Gasket-Intake
●93	690602	1	Bushing-Throttle Shaft
●95	691636	1	Screw (Throttle Valve)
●104	690525	1	Pin-Float Hinge
●105	231855	1	Valve-Float Needle
●106	690577	1	Seat-Inlet
●117	694352	1	Jet-Main (Standard)
121	697241	1	Kit-Carburetor Overhaul
◆137	281165	1	Gasket-Float Bowl
●142	697140	1	Nozzle-Carburetor
●231	691636	1	Screw (Choke Valve)
◆276	692255	1	Washer-Sealing
★●617	692138	1	Seal-O Ring (Intake Manifold)
●634	690801	1	Spring/Seal Assembly
●634A	690802	1	Spring/Seal Assembly
977	690192	1	Gasket Set-Carburetor
●987	691326	1	Seal-Throttle Shaft
★●1266	691917	1	Seal-O Ring (Intake Elbow)

Ref. No.	Part No.	Qty.	Description
★●1266A	697123	1	Seal-O Ring (Intake Elbow)

△ Included in Valve Gasket Set-Ref. 1095.

★ Included in Engine Gasket Set-Ref. 358.

● Included in Carburetor Overhaul Kit-Ref. 121.

◆ Included in Carburetor Gasket Set-Ref. 977.



