



Mid-Size Mower
ProLine Gear with 44in. Side Discharge Mower
Model No. 30332-2000001 and Up

Parts Catalog

Ordering Replacement Parts

To order replacement parts, please supply: the part number, the quantity, and the description of each part desired.

Understanding Reference Numbers

Each identified part in an illustration has a reference number. The reference number for a part also appears in the parts list, along with other information about the part.

This catalog uses two special reference number formats, one to indicate parts in a service assembly and another to indicate the quantity of a given part in an illustration.

Service Assembly Reference Numbers

Parts in service assemblies have reference numbers in the form **a:b**. The **a** represents the reference number of the entire service assembly and the **b** represents a sequential number unique to each part within the service assembly.

For example, a wheel assembly might be identified by reference number **6**, the tire by **6:1**, the valve by **6:2**, and the wheel by **6:3**. When you order the assembly identified by reference number **6**, you receive all parts identified by reference numbers **6:1**, **6:2**, and **6:3**. However, you may also order any part individually.

Reference numbers of this type appear in illustrations and in part lists.

Reference Numbers Indicating Quantity

In an illustration, if a reference number indicates more than one part, the reference number has the form **nX y**. The **n** represents the quantity of the part, the **X** is the multiplication symbol, and the **y** represents the reference number.

For example, in an illustration, the reference number **2X 37** means that two of the parts identified by reference number **37** are indicated.

Contents

Description	Page	Description	Page
Engine and Clutch Assembly	3	Cylinder/Crankcase Assembly	16
Clutch Assembly No. 54–3200	4	Valve/Camshaft Assembly	18
Frame, Fuel Tank and Shift Plate Assembly ...	5	Piston/Crankshaft Assembly	20
Lower Control Assembly	6	Lubrication–Equipment Assembly	21
Transmission and Drive System Assembly	7	Cooling–Equipment Assembly	22
Wheel Drive and Brake System Assembly	8	Electric–Equipment Assembly	24
Upper Handle Assembly	9	Control–Equipment Assembly	26
Control Panel Assembly	10	Carburetor Assembly	28
Deck Assembly	11	Air–Filter/Muffler Assembly	30
Spindle, Idler Pulley and Belt Assembly	12	Fuel–Tank/Fuel–Valve Assembly	31
Spindle Housing Assembly No. 104–6316	13	Starter	32
Spindle Housing Assembly No. 104–6314	14	Decal	33
Carrier Frame Assembly	15	Electrical Schematic	34

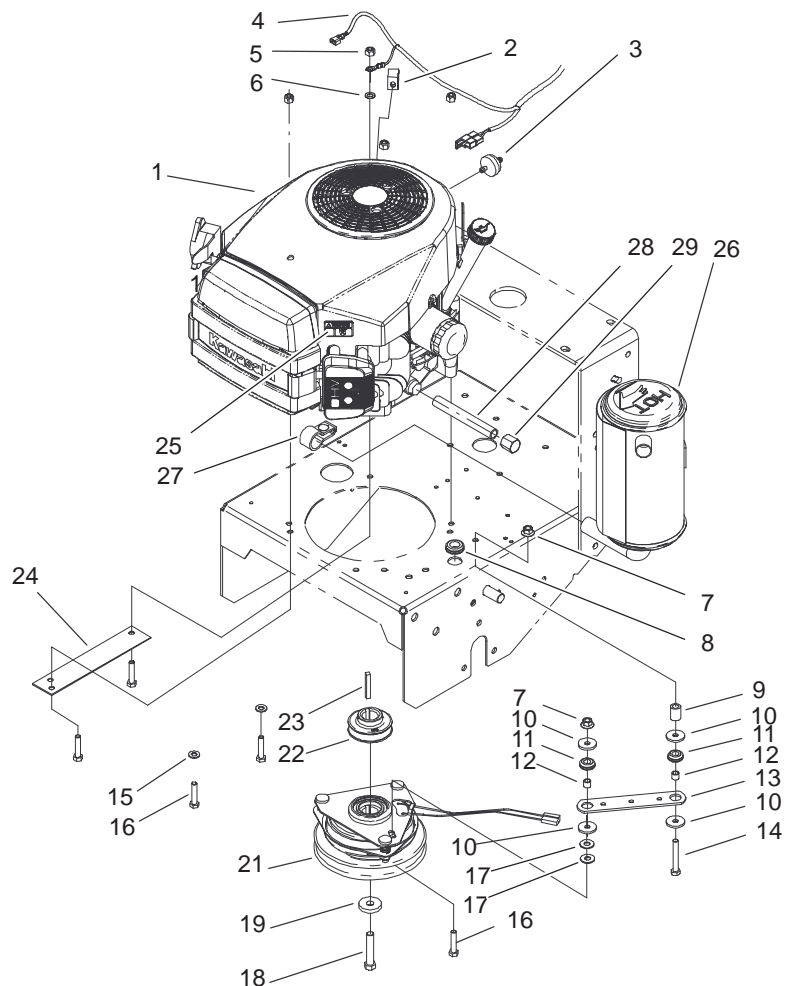
Accessories

Description	Model / Part No.	Description	Model / Part No.
Mid–Size Sulky	30123	Deck Recycler Kit	59220
ProLine Mid–Size Platform Sulky	30110	Mulching Kit	59226
Hourmeter Kit	105–2695	Blade Assembly–Atomic 15.5	104–1300
Soft Bagger	30104	Blade–Sail, High	55–4940
Steel Bagger	30107	Blade–Recycler	92–7952
Stripping Kit	30121		

Part Description Abbreviations

Part descriptions in this catalog may include the following abbreviations.

Abbreviation	Meaning	Abbreviation	Meaning
AR	as required	HYD	hydraulic
ASM	assembly	INC	incorporated
CARR	carriage	LH	left hand
DEG	degrees	NI	nylon insert
FH	flat head	PPH	Phillips pan head
GA	gauge	PTH	Phillips truss head
HF	hex flange	PTO	power take off
HH	hex head	RH	right hand
HHF	hex head flange	SFH	slotted fillister head
HLH	hex lag head	SHH	slotted hex head
HJ	hex jam	SQH	square head
HOC	height-of-cut	SHWH	slotted hex washer head
HS	hex socket	SPH	slotted pan head
HSBH	hex socket button head	SRH	slotted round head
HSFH	hex socket flat head	STD	standard
HSH	hex socket head	TAP	self tapping
HWH	hex washer head	TTH	Torx truss head
HWHTF	hex washer head thread forming	WH	wing head

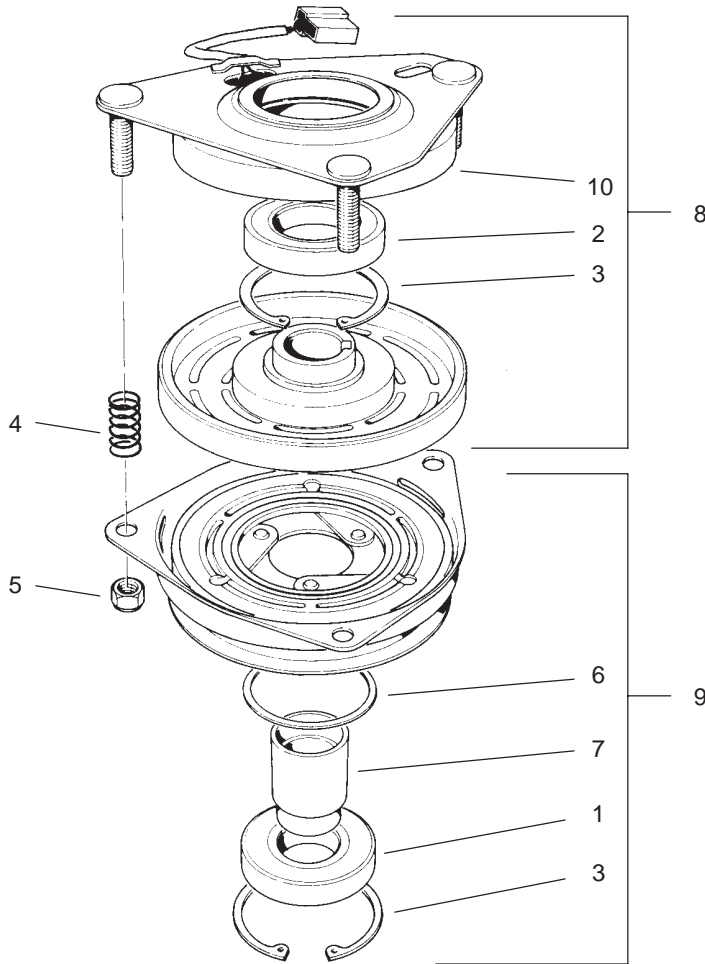


Sheet No.: 4

Engine and Clutch Assembly

Ref. No.	Part No.	Qty.	Description	Ref. No.	Part No.	Qty.	Description
☆1		1	Engine-Kawasaki, Fh451v-As08	27	100-6468	1	Clamp-Muffler
2	2412-87	1	Clamp-Cable	28	289-19	1	Nipple
3	56-6360	1	Filter-Fuel	29	288-10	1	Cap-Pipe
4	104-9825	1	Wire Harness				
5	3296-29	4	Nut-Lock				
6	3255-8	1	Washer-Lock/Ext				
7	32128-20	2	Nut-HF				
8	237-124	1	Grommet				
9	104-6373	1	Tube - Retainer				
10	1-613235	4	Washer				
11	1-633630	2	Grommet-Brake				
12	1-633545	2	Spacer-Grommet				
13	1-633543	1	Strap-Clutch/Brake				
14	322-11	1	Screw-HH				
15	3256-23	2	Washer-Flat				
16	322-7	5	Screw-HH				
17	3256-3	2	Washer-Flat				
18	3212-9	1	Screw-HH				
19	112843	1	Washer				
21	54-3200	1	Clutch/Brake				
22	105-0827	1	Pulley-Drive				
23	608006	1	Key				
24	94-5847-01	1	Cover - Pulley				
25	63-8440	1	Decal-Surface, Hot				
26	100-6467	1	Muffler				

☆ Not serviced

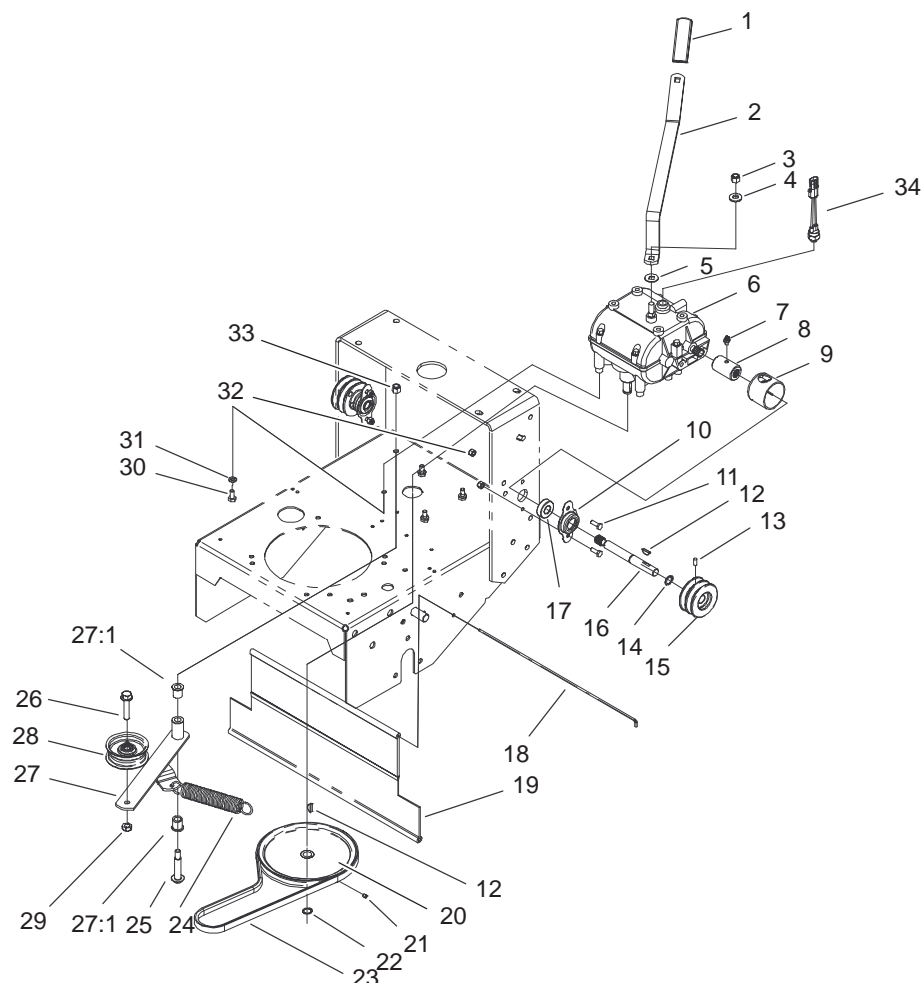


Sheet No.: A1
T-3726

Clutch Assembly No. 54-3200

Ref. No.	Part No.	Qty.	Description
1	251-291	1	Bearing-Pulley
2	251-292	1	Bearing-Field
3	44-8310	2	Ring-Retaining
4	44-8320	3	Spring
5	3296-6	3	Nut-Lock, NI
6	44-8330	1	Spacer-Bearing, Pulley
7	44-8340	1	Collar-Bearing
8	44-8360	1	Field Coil-Rotor / Bearing ASM
9	44-8370	1	Armature / Pulley / Bearing ASM
10	54-0230	1	Field Bearing ASM

Ref. No.	Part No.	Qty.	Description

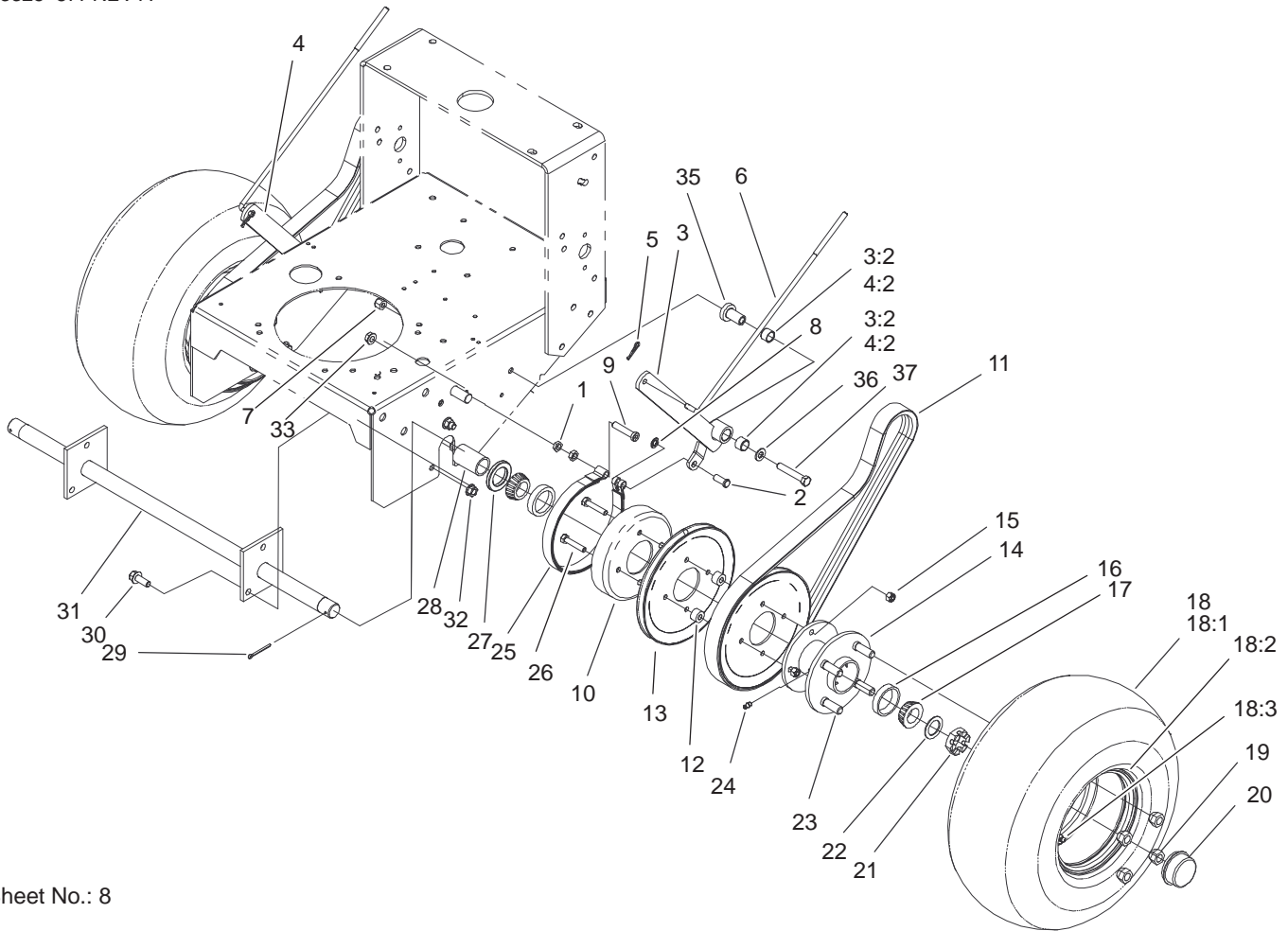


Sheet No.: 7

Transmission and Drive System Assembly

Ref. No.	Part No.	Qty.	Description
1	47-1970	1	Grip
2	98-3274-03	1	Lever-Shift
3	3296-6	1	Nut-Lock, NI
4	98-5975	1	Washer-Belleville
5	1-323379	1	Washer-Shifter Lever
6	1-323500	1	Transmission
7	302-5	2	Fitting-Grease
8	98-0789	2	Coupler
9	51-4220	2	Guard-Coupler
10	1-323254	2	Flange-Output
11	321-4	4	Screw-HH
12	3257-5	3	Key-Woodruff
13	3245-9	2	Screw-Set
14	32151-62	2	Ring-Retaining
15	105-0828	2	Pulley-Transmission
16	104-1102	2	Shaft-Output
17	1-323252	2	Bearing-Shaft
18	95-1529	1	Rod-Shield
19	95-1526	1	Shield-Trailing
20	51-4190	1	Pulley-Driven
21	3245-1	1	Screw-Set, HSH
22	32120-64	1	Ring-Snap, External
23	26-9671	1	V-Belt
24	68-2190	1	Spring
25	27-6230	1	Bolt-Wheel
26	323-9	1	Screw-HH

Ref. No.	Part No.	Qty.	Description
27	16-7509	1	Lever-Idler
27:1	256-155	2	Bushing-Flange
28	62-4540	1	Pulley
29	3296-39	1	Nut-Lock, NI
30	322-2	4	Screw-HH
31	3253-4	4	Washer-Lock
32	3296-42	4	Nut-Lock, NI
33	3296-6	1	Nut-Lock, NI
34	72-4320	1	Switch

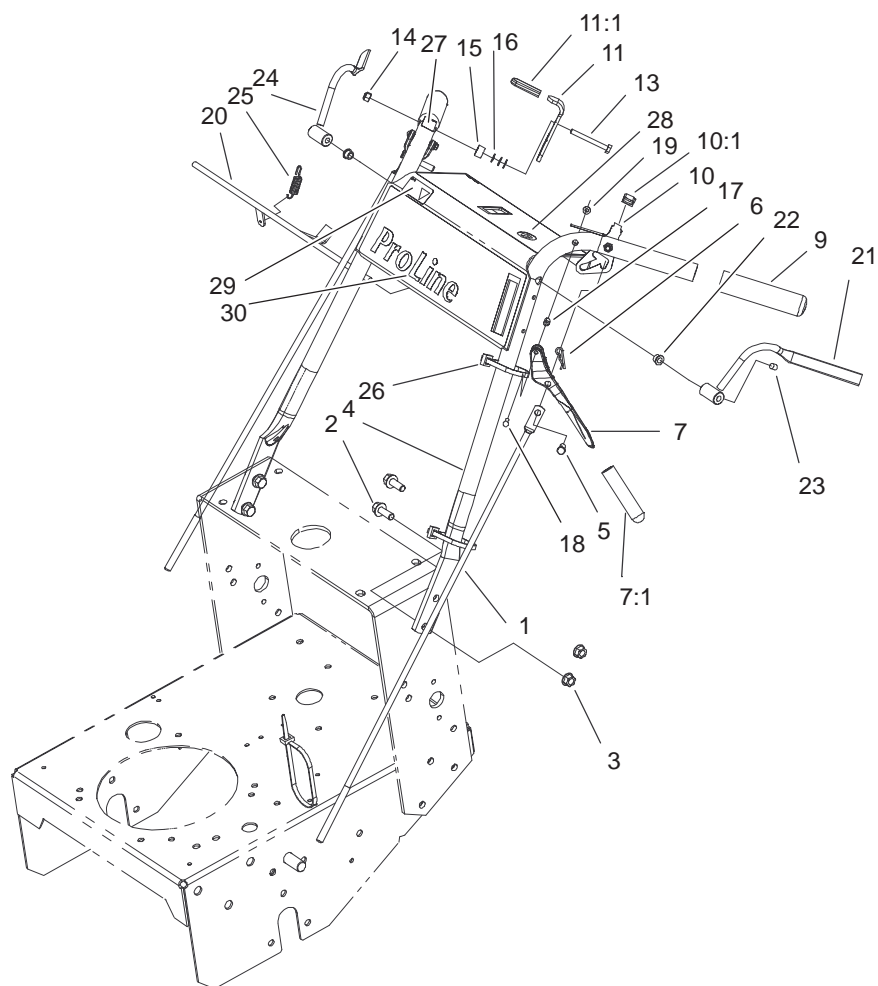


Sheet No.: 8

Wheel Drive and Brake System Assembly

Ref. No.	Part No.	Qty.	Description
1	3218-3	4	Nut-Jam
2	1-323307	2	Pin - Clevis
3	1-414374	1	Lever ASM-LH
3:2	1-413347	2	Sleeve-Bushing
4	1-414375	1	Lever ASM-RH
4:2	1-413347	2	Sleeve-Bushing
5	3290-307	2	Pin-Hair
6	104-9842	2	Linkage-Brake
7	3296-39	2	Nut-Lock, NI
8	32151-56	2	Ring-Retaining, External
9	104-9841	2	Screw
10	1-323261	2	Drum, Brake
11	104-8152	2	Belt-Traction Drive
12	51-4170	8	Spacer-Pulley
13	51-4160-03	4	Pulley-Wheel
14	1-413333	2	Hub, Wheel W/Cups
15	3296-29	8	Nut-Lock
16	254-72	4	Bearing-Taper, Cup
17	254-94	4	Bearing-Taper, Cone
18	104-1198	2	Wheel And Tire ASM
18:1	104-6320	1	Tire
18:2	104-1199	1	Wheel
18:3	232-27	1	Stem-Valve
19	242-50	8	Nut-Lug
20	241-119	2	Cap-Dust

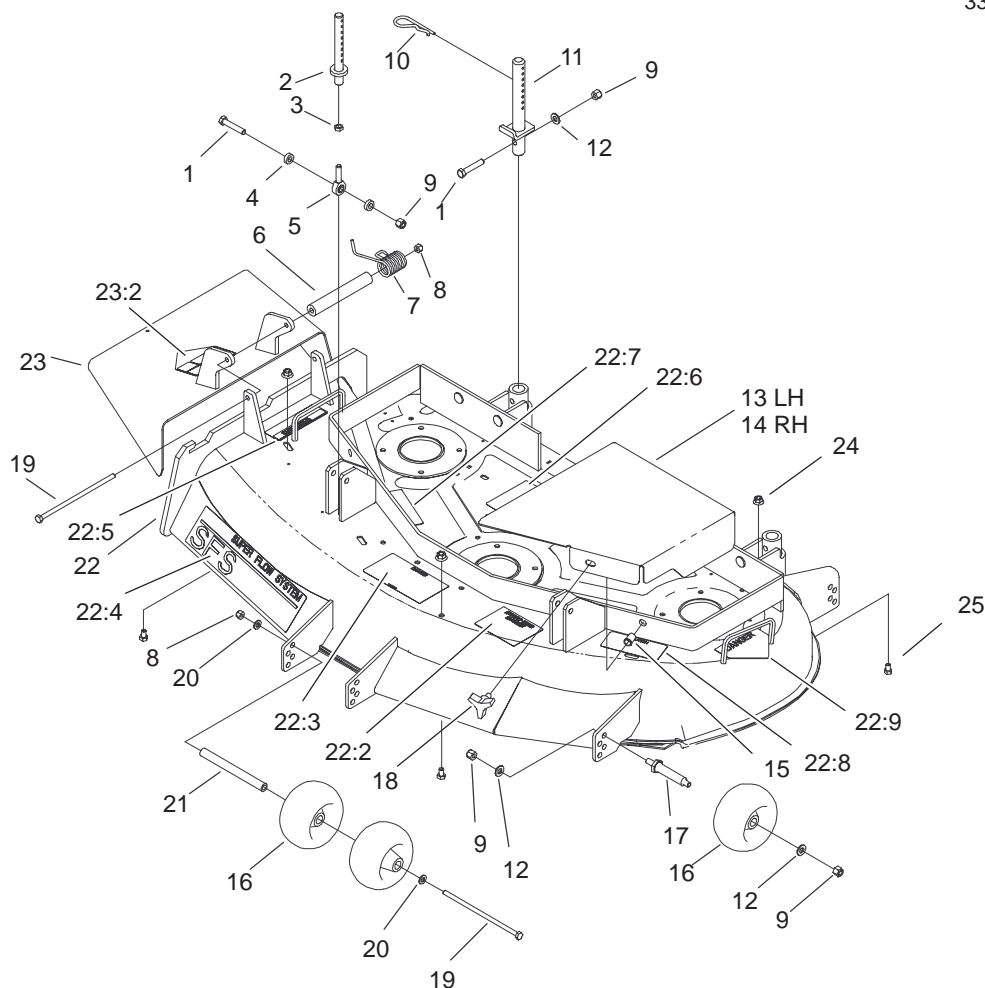
Ref. No.	Part No.	Qty.	Description
21	1-809082	2	Nut-SHH
22	1-523157	2	Washer-Spacer
23	1-633926	8	Stud-Wheel
24	302-5	2	Fitting-Grease
25	1-323262	2	Band, Brake
26	322-8	8	Screw-HH
27	1-543511	2	Seal-Grease
28	104-1197	2	Spacer-Wheel
29	1-806800	2	Pin-Cotter
30	3234-11	6	Screw-HHF
31	104-1196-01	1	Axle ASM
32	32128-21	6	Nut-HF
33	3290-357	2	Nut-Flange, Lock
35	104-9840	2	Bushing-Pivot
36	3256-24	2	Washer-Flat
37	323-11	2	Screw-HH



Sheet No.: 9

Upper Handle Assembly

Ref. No.	Part No.	Qty.	Description	Ref. No.	Part No.	Qty.	Description
1	104-9843	2	Linkage-Drive	24	1-412185-03	1	Lever-RH
2	3234-11	4	Screw-HHF	25	1-303363	1	Spring-Extension
3	32128-21	4	Nut-HF	26	3290-378	3	Tie-Cable
4	105-4138	1	Handle ASM	27	105-4111	2	Decal-Neutral, Brake
5	1-808286	2	Pin-Clevis	28	105-4105	1	Decal-Warning
6	1-806003	2	Pin-Cotter, Hair	29	98-4387	1	Decal-Protection, Ear
7	1-302006	2	Drive Lever ASM	30	105-4108	1	Decal-Proline
7:1	1-303021	1	Grip-Lever, Drive				
9	104-9838	2	Grip-Foam				
10	1-324279	1	Thumb Latch ASM-LH				
10:1	1-303019	1	Grip-Latch				
11	1-324280	1	Thumb Latch ASM-RH				
11:1	1-303019	1	Grip-Latch				
13	321-18	2	Screw-HH				
14	3296-42	2	Nut-Lock, NI				
15	1-323549	2	Spacer				
16	1-303435	6	Washer-Spring				
17	1-806340	2	Pin-Roll				
18	1-808250	2	Pin-Clevis				
19	1-803001	2	Nut				
20	104-9803	1	Rod ASM				
21	1-412183-03	1	Lever-LH				
22	1-303365	2	Bushing-Nylon				
23	1-803322	2	Screw-Set				

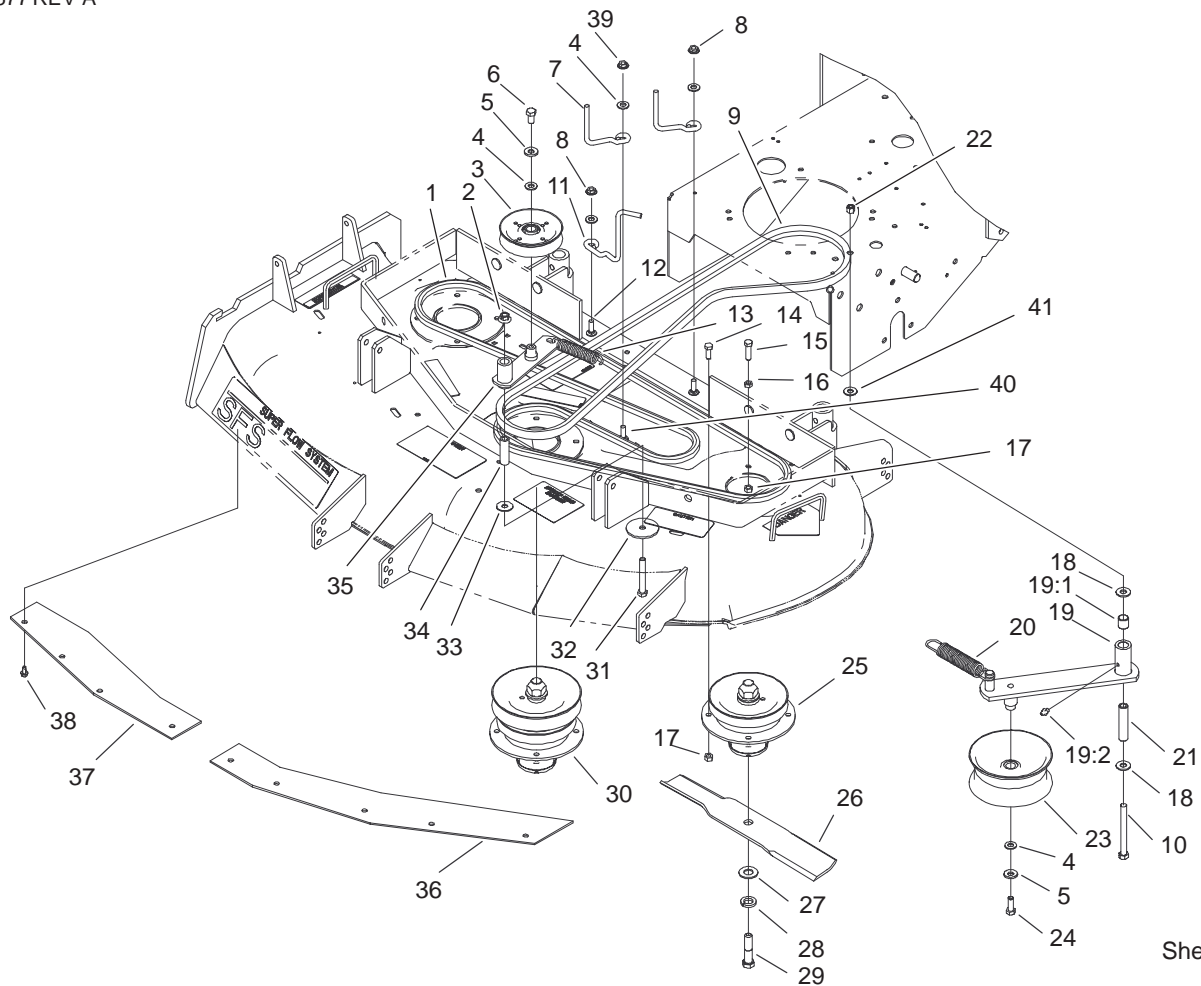


Sheet No.: 2

Deck Assembly

Ref. No.	Part No.	Qty.	Description	Ref. No.	Part No.	Qty.	Description
1	323-10	4	Screw-HH	22:5	104-8569	1	Decal-Deflector Warning
2	105-0832	2	Link-Support	22:6	104-8186	1	Decal-Belt Routing
3	3220-3	2	Nut-Jam	22:7	67-5360	3	Decal-Danger
4	104-1156	4	Spacer	22:8	68-8340	1	Decal-Torque
5	1-613204	2	Balljoint	22:9	43-8480	1	Decal-Danger
6	104-8555	1	Spacer-Mounting, Deflector	23	104-7783	1	Deflector ASM
7	104-8554	1	Spring-Torsion	23:2	54-9220	1	Decal-Danger
8	3296-29	2	Nut-Lock	24	32128-20	3	Nut-HF
9	3296-39	8	Nut-Lock, NI	25	322-1	3	Screw-HH
10	3290-256	6	Pin-Hair				
11	105-0831	2	Rod ASM				
12	3256-24	6	Washer-Flat				
13	104-8117-01	1	Cover-Belt, Left				
*14	104-8118-01	1	Cover-Belt, Right				
15	32148-10	2	Insert-Threaded				
16	68-2730	4	Gage-Wheel				
17	99-2842	2	Spacer-Wheel				
18	104-8587	2	Knob				
19	322-50	2	Screw-Cap				
20	3256-23	2	Washer-Flat				
21	98-5967	1	Spacer - Wheel				
22	104-6392	1	44" Deck ASM				
22:2	105-0840	1	Decal-Anti Scalp				
22:3	66-1340	1	Decal-Danger				
22:4	98-8028	1	Decal-Sfs 44"				

* Not illustrated

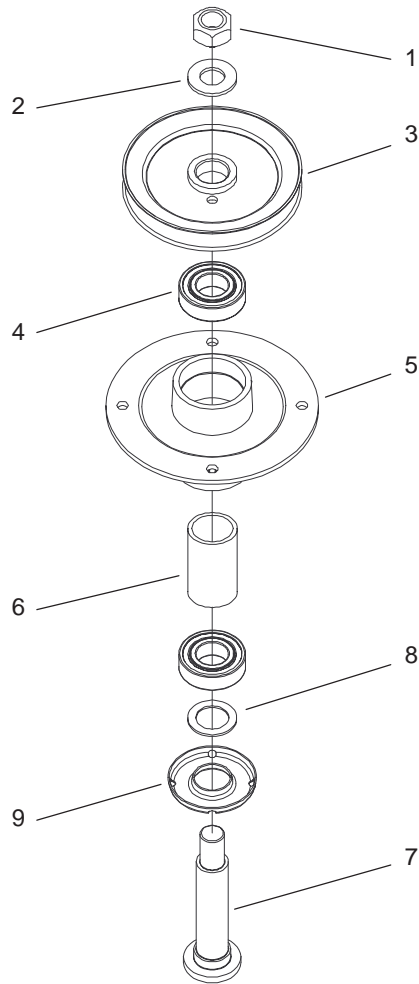


Sheet No.: 3

Spindle, Idler Pulley and Belt Assembly

Ref. No.	Part No.	Qty.	Description
1	27-1160	1	V-Belt, Deck
2	32128-19	1	Nut-HF
3	65-5940	1	Pulley-Idler
4	3256-24	5	Washer-Flat
5	98-5975	2	Washer-Belleville
6	323-4	1	Screw-HH
7	52-4780	2	Rod-Belt
8	32128-13	2	Nut-HF
9	104-8120	1	V-Belt, PTO
10	323-42	1	Screw-HH
11	105-0852	1	Guide-Belt
12	3230-2	2	Screw-CARR
13	54-2730-03	1	Spring-Extension
14	322-4	11	Screw-HH
15	322-6	1	Screw-HH
16	3218-2	1	Nut-Jam
17	32152-1	12	Nut-Lock, NI
18	1-809107	2	Washer-Hardened
19	104-6370	1	Idler Arm ASM
19:1	1-513034	2	Sleeve-Bearing
19:2	302-5	1	Fitting-Grease
20	104-8161	1	Spring-Extension
21	104-6377	1	Tube - Idler
22	3296-39	1	Nut-Lock, NI
23	1-413099	1	Pulley-Idler
24	323-6	1	Screw-HH

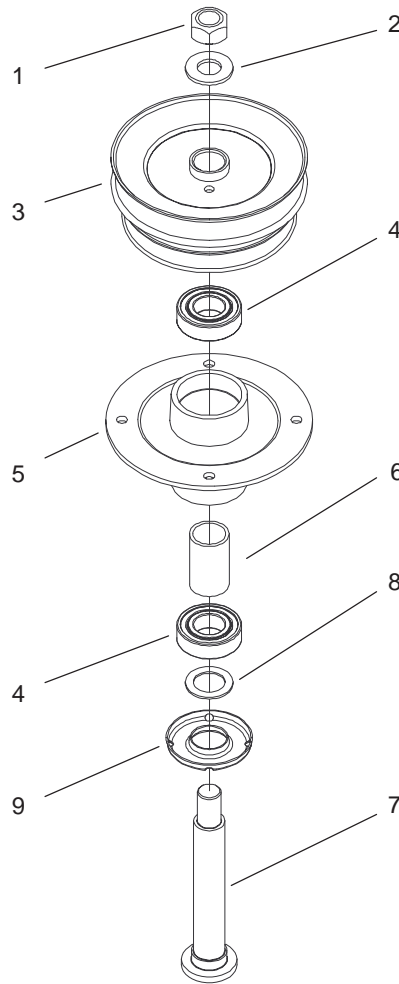
Ref. No.	Part No.	Qty.	Description
25	104-6316	2	Spindle Housing ASM
26	54-0010	3	Blade
27	3256-27	3	Washer-Flat
28	3253-8	3	Washer-Lock
29	51-4060	3	Screw-Blade
30	104-6314	1	Spindle Housing ASM
31	323-13	1	Screw-HH
32	20-9530	1	Washer-End
33	52-2860	1	Washer
34	104-8113	1	Tube-Idler
35	104-8110	1	Idler Arm ASM
36	100-3258-03	1	Plate-Blowout, LH
37	100-3257-03	1	Plate-Blowout, RH
38	12-3270	9	Screw
39	32128-10	1	Locknut-Flange
40	3229-4	1	Screw-CARR
41	3256-4	1	Washer-Flat



Sheet No.: A1
C-3014

Spindle Housing Assembly No. 104-6316

Ref. No.	Part No.	Qty.	Description	Ref. No.	Part No.	Qty.	Description
1	3219-7	1	Nut-Hex				
2	7-4150	1	Washer-Pinion				
3	104-1181	1	Pulley ASM				
4	104-6325	2	Bearing				
5	67-7590	1	Housing-Spindle				
6	104-6312	1	Spacer-Bearing				
7	104-8193	1	Shaft-Spindle				
8	88-7540	1	Washer - Backup				
9	79-1920	1	Shield-Bearing				

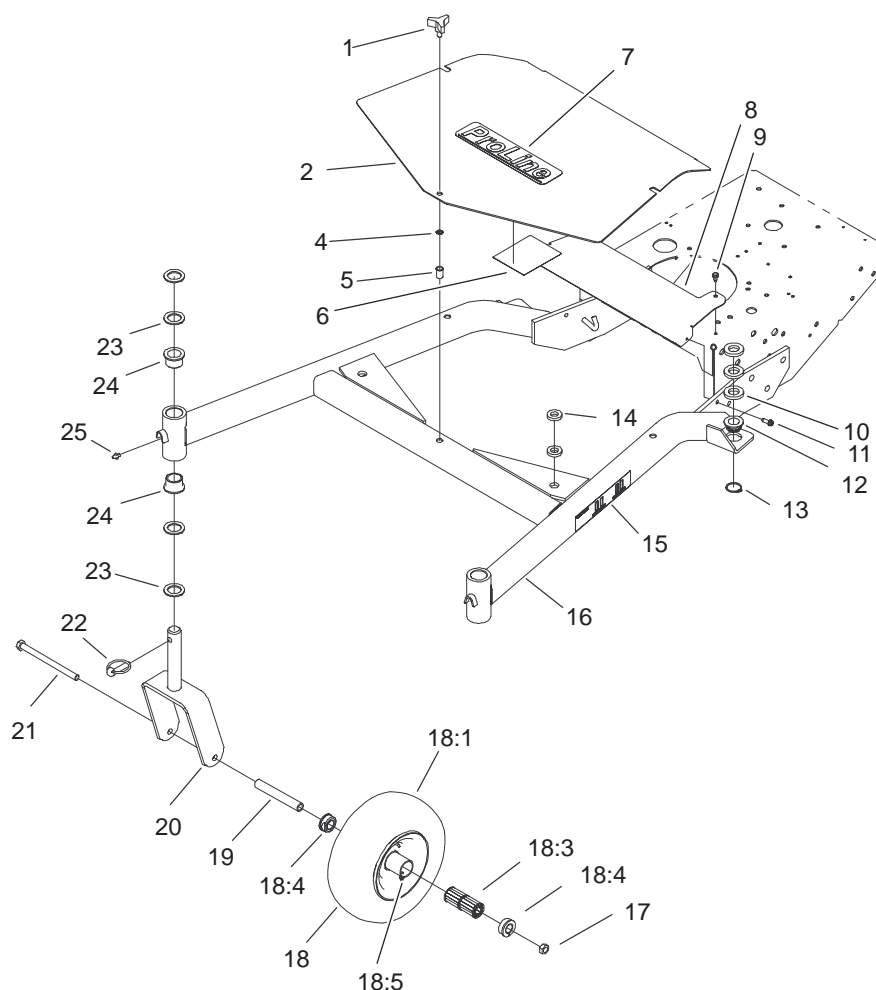


Sheet No.: A2
C-3013

Spindle Housing Assembly No. 104-6314

Ref. No.	Part No.	Qty.	Description
1	3219-7	1	Nut-Hex
2	7-4150	1	Washer-Pinion
3	104-1116	1	Pulley And Hub ASM
4	104-6325	2	Bearing
5	67-7590	1	Housing-Spindle
6	104-6312	1	Spacer-Bearing
7	104-8194	1	Shaft-Spindle
8	88-7540	1	Washer - Backup
9	79-1920	1	Shield-Bearing

Ref. No.	Part No.	Qty.	Description

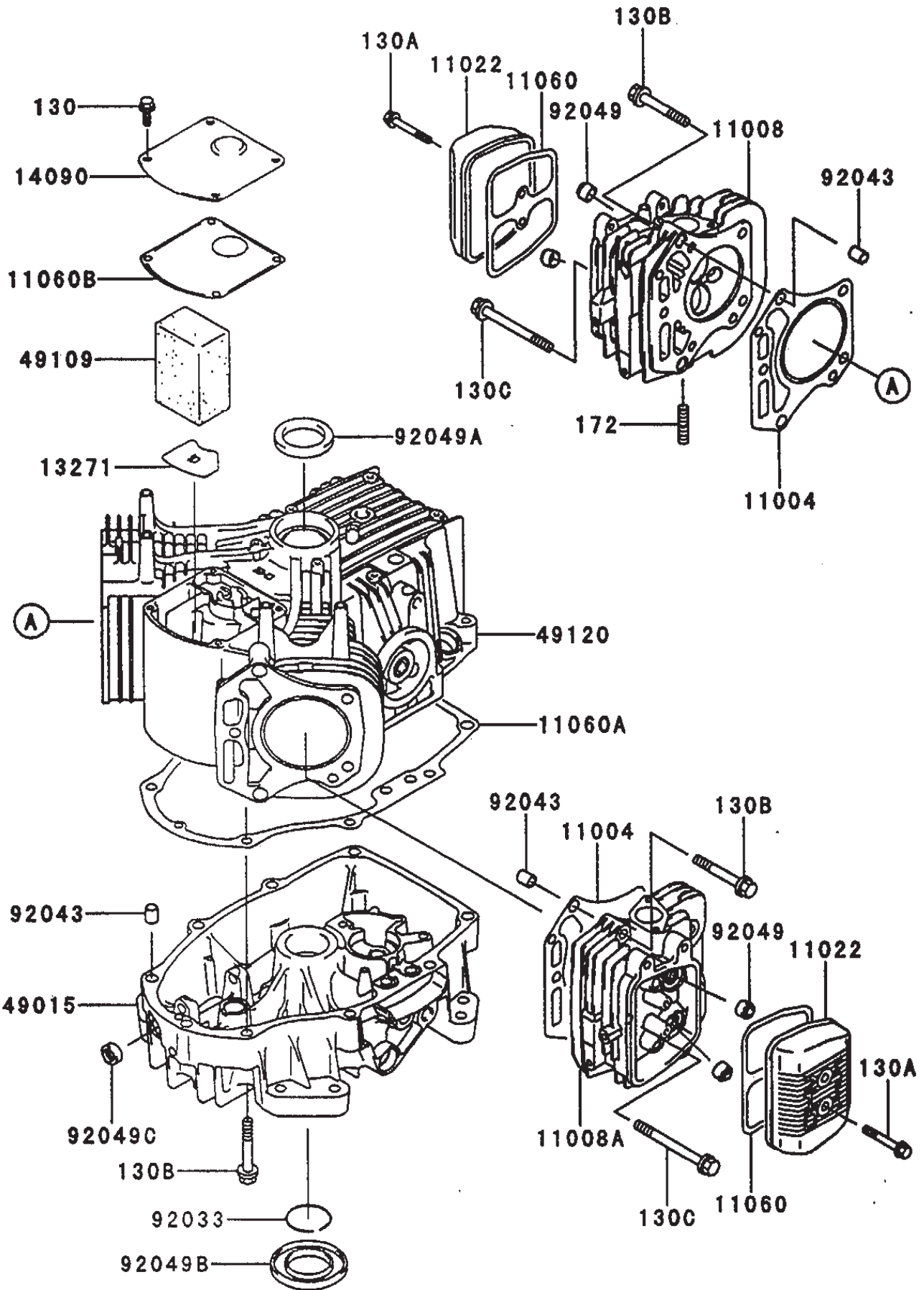


Sheet No.: 4

Carrier Frame Assembly

Ref. No.	Part No.	Qty.	Description	Ref. No.	Part No.	Qty.	Description
1	104-8587	3	Knob	24	94-1291	4	Bushing-Special
2	104-8153-01	1	Cover-Carrier Frame	25	302-5	2	Fitting-Grease
4	32151-72	1	Ring-Retaining				
5	32148-9	3	Nut-Insert				
6	105-4142	1	Decal-Service				
7	74-2080	1	Decal-Proline				
8	105-0845-01	1	Shield-Heat				
9	12-3270	2	Screw				
10	104-1105	6	Spacer-Deck Support				
11	49-2040	2	Screw-Tapping				
12	1-513336	2	Bushing - Deck				
13	32120-33	2	Ring-Retaining				
14	105-0842	4	Spacer				
15	104-8171	2	Decal-HOC				
16	104-1109-01	1	Carrier Frame ASM				
17	32153-5	2	Nut-Lock				
18	104-1170	2	Castor Wheel ASM				
18:1	104-1169	1	Tire And Tube ASM				
18:3	62-5570	2	Bearing-Roller				
18:4	62-5580	2	Bearing-Outside				
18:5	302-11	1	Fitting-Lube, 45°				
19	104-1189	2	Bushing-Spanner				
20	104-1183-01	2	Castor Fork ASM				
21	325-33	2	Screw-HH				
22	283-71	2	Pin-Lynch				
23	3-6781	8	Washer-Thrust				

Cylinder/Crankcase Assembly Kawasaki FH451V-AS08

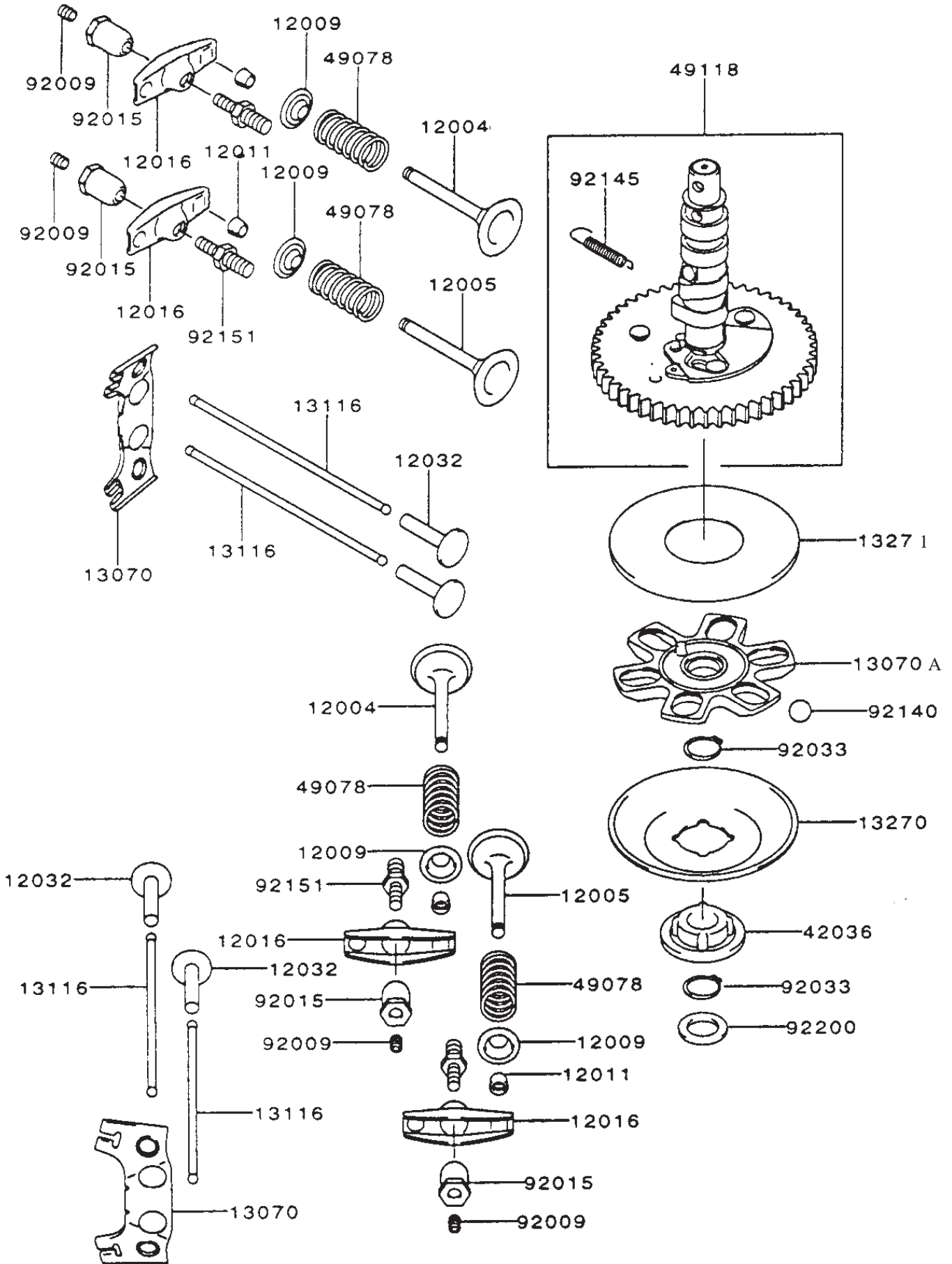


Cylinder/Crankcase Assembly Kawasaki FH451V-AS08

Ref. No.	Part No.	Qty.	Description
11004	11004-7005	2	Gasket-Head
11008	11008-7005	1	Head-Comp-Cylinder No. 1
11008A	11008-7006	1	Head-Comp-Cylinder No. 2
11022	11022-7003	2	Case-Rocker
11060	11060-7001	2	Gasket, Rocker Case
11060A	11060-7008	1	Gasket, Crankcase Cover
11060B	11060-7015	1	Gasket, Breather
14090	14090-7001	1	Cover, Breather
49015	49015-6223	1	Cover-Crankcase
49109	49109-7002	1	Element-Breather
49120	49120-6119	1	Crankcase-Comp
92033	92033-7003	1	Ring-Snap
92043	92043-7001	6	Pin
92049	92049-7001	4	Seal-Oil
92049A	92049-7002	1	Seal-Oil
92049B	92049-7004	1	Seal-Oil
92049C	92049-7005	1	Seal-Oil
130	130B0612	4	Bolt-Flanged
130A	130B0640	4	Bolt-Flanged
130B	130T0850	17	Bolt-Flanged
130C	130T0875	2	Bolt-Flanged
172	172G0818	4	Bolt-Stud
13271	13271-7016	1	Plate

Ref. No.	Part No.	Qty.	Description

Valve/Camshaft Assembly Kawasaki FH451V-AS08



Valve/Camshaft Assembly Kawasaki FH451V-AS08

Ref. No.	Part No.	Qty.	Description
12004	12004-7001	2	Valve-Intake
12005	12005-7001	2	Valve-Exhaust
12009	12009-7001	4	Retainer-Valve Spring
12011	12011-2056	8	Collet
12016	12016-7001	4	Arm-Rocker
12032	12032-7001	4	Tappet
13070	13070-7001	2	Guide
13070A	13070-7004	1	Guide
13116	13116-2057	4	Rod-Push
13270	13270-7002	1	Plate
13271	13271-7007	1	Plate
42036	42036-7001	1	Sleeve
49078	49078-7001	4	Spring-Engine Valve
49118	49118-7002	1	Camshaft-Comp
92009	92009-2341	4	Screw
92015	92015-2253	4	Nut
92033	92033-7001	2	Ring-Snap
92140	92140-7002	6	Ball
92145	92145-7001	1	Spring
92151	92151-7001	4	Bolt
92200	92200-7001	1	Washer

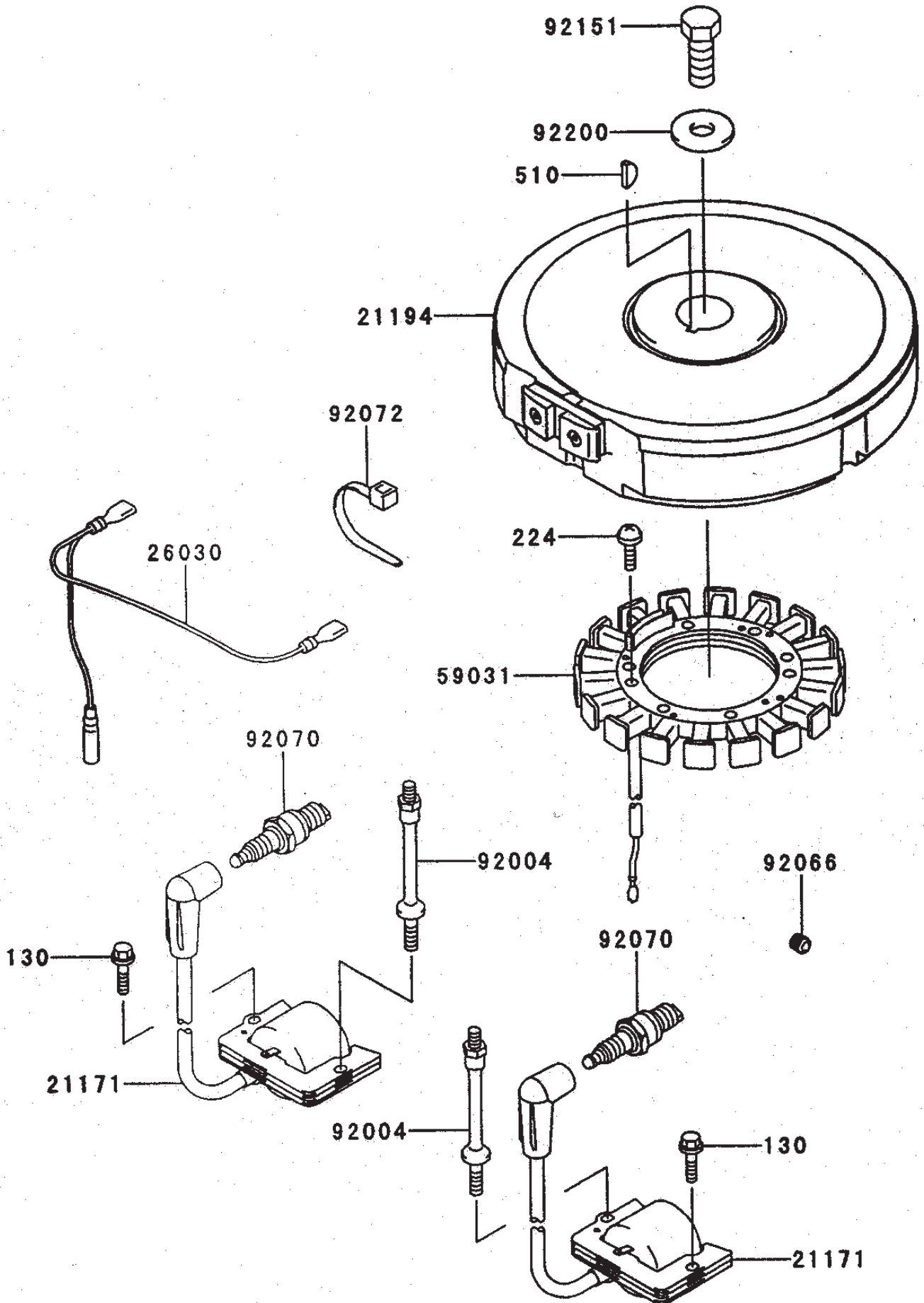
Ref. No.	Part No.	Qty.	Description

Cooling-Equipment Assembly Kawasaki FH451V-AS08

Ref. No.	Part No.	Qty.	Description
130	130B0612	6	Bolt-Flanged
130A	130B0616	2	Bolt-Flanged
130B	130B0620	1	Bolt-Flanged
130C	130B0625	2	Bolt-Flanged
130D	130B0816	1	Bolt-Flanged
13270	13270-7007	1	Plate
13271	13271-7002	1	Plate
14037	14037-7006-9H	1	Screen
311	311B0600	2	Nut-Hex
49089	49089-7001	1	Shroud-Engine
49089A	49089-7002	1	Shroud-Engine
49089B	49089-7003	1	Shroud-Engine
59041	59041-7001	1	Fan
59066	59066-7002	1	Housing-Fan
92004	92004-7006	2	Stud
92009	92009-2308	2	Screw
92026	92026-7001	3	Spacer, 6.2x7.9x5
92026A	92026-7003	1	Spacer, 6.5x7.9x10.5
92066	92066-7004	1	Plug
92066A	92066-7005	1	Plug

Ref. No.	Part No.	Qty.	Description

Electric-Equipment Assembly Kawasaki FH451V-AS08

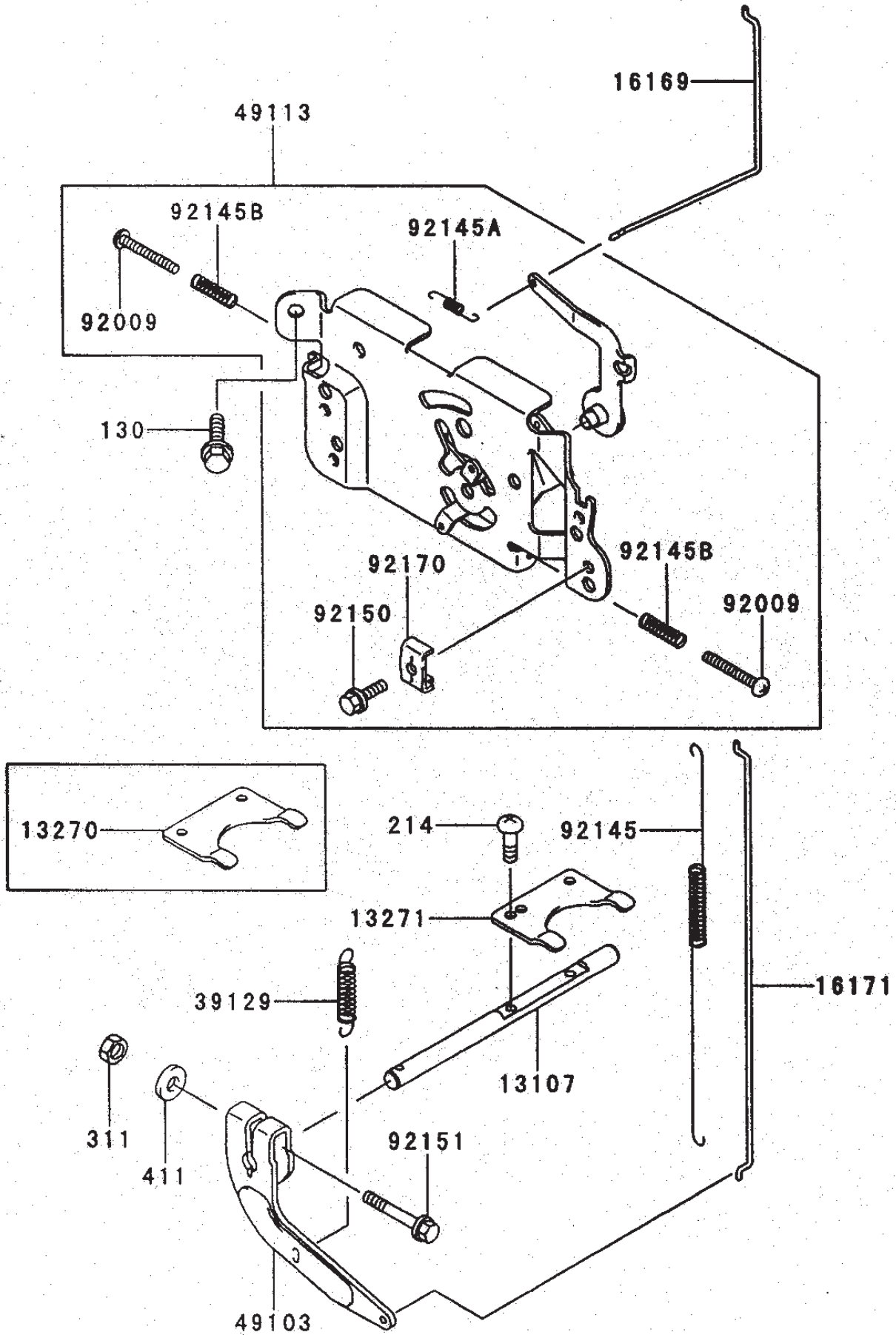


Electric-Equipment Assembly Kawasaki FH451V-AS08

Ref. No.	Part No.	Qty.	Description
21171	21171-7001	2	Coil-Assy-Ignition
21194	21194-7001	1	Flywheel-Comp
26030	26030-7001	1	Harness
59031	59031-7002	1	Coil-Charging
92004	92004-2147	2	Stud
92066	92066-7002	1	Plug
92070	92070-7003	2	Plug-Spark (RCJ8Y)
92072	92072-7003	2	Band
92151	92151-2097	1	Bolt, 12x30
92220	92220-7002	1	Washer
130	130B0620	2	Bolt-Flanged
224	224B0520	4	Screw-Pan-WP-Cros
510	510A5100	1	Key-Woodruff

Ref. No.	Part No.	Qty.	Description

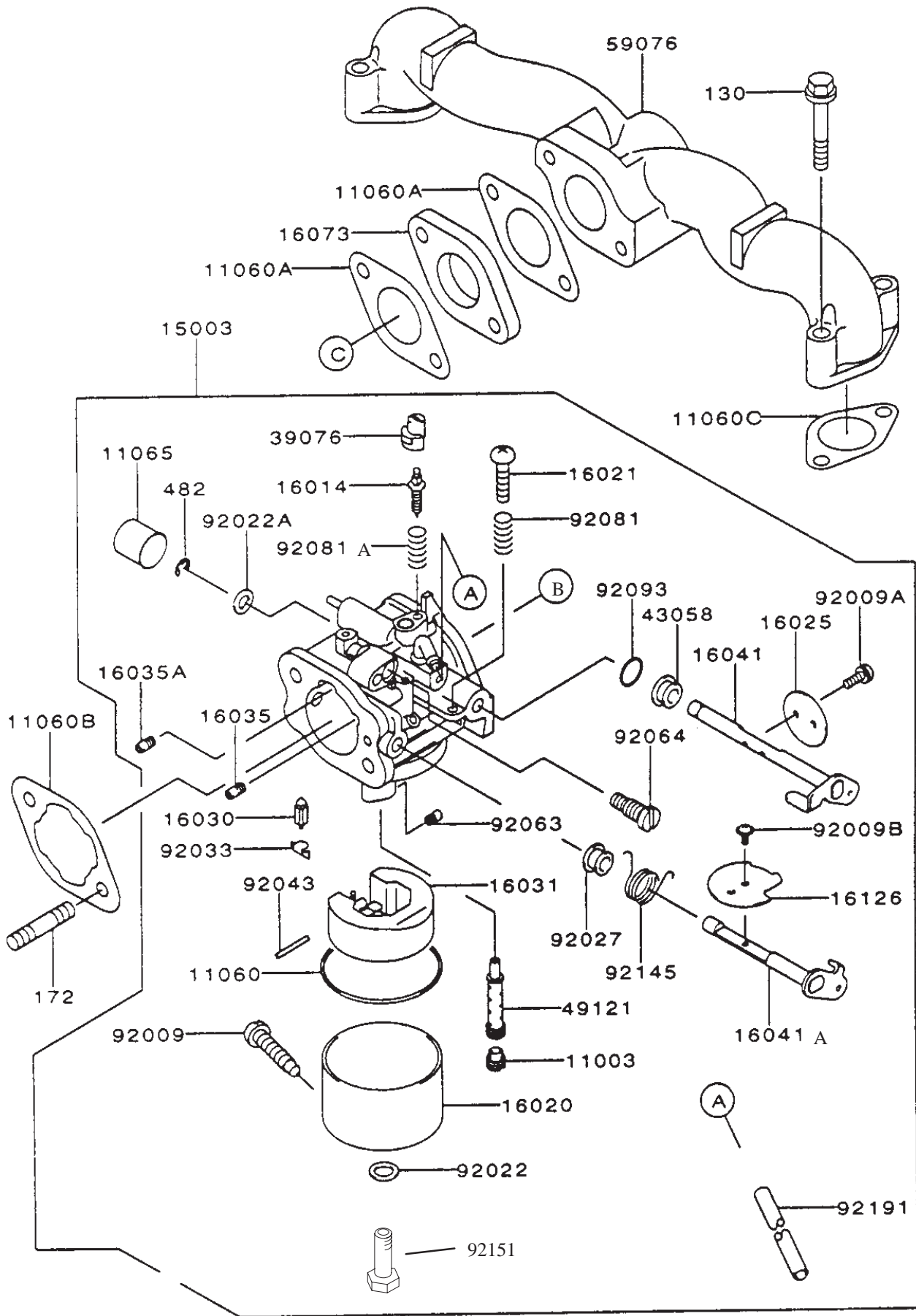
Control-Equipment Assembly Kawasaki FH451V-AS08



Control-Equipment Assembly Kawasaki FH451V-AS08

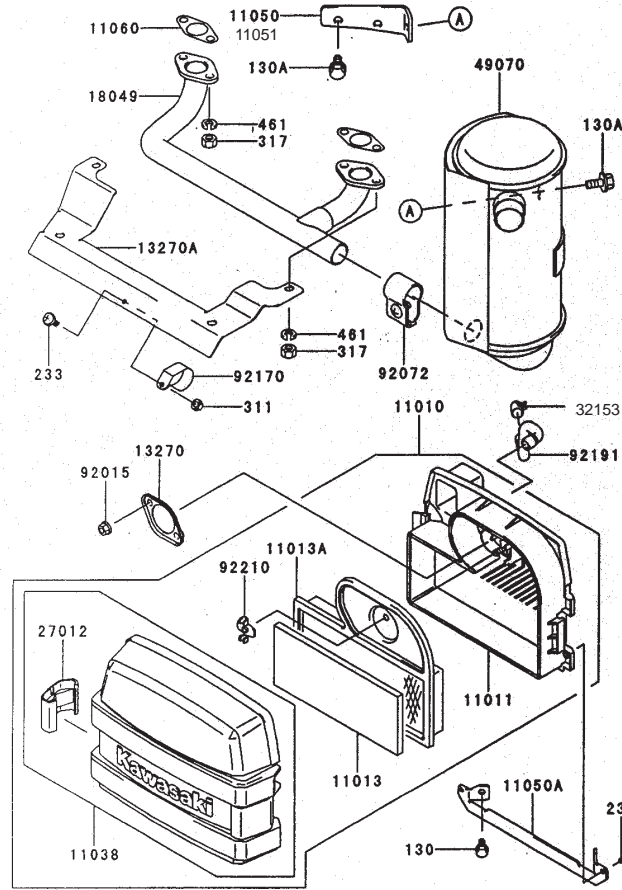
Ref. No.	Part No.	Qty.	Description	Ref. No.	Part No.	Qty.	Description
13107	13107-7002	1	Shaft				
13270	13270-7006	1	Plate				
13271	13271-7018	1	Plate				
16169	16169-7001	1	Link-Choke				
16171	16171-7001	1	Link				
39129	39129-7003	1	Spring-Governor				
49103	49103-7002	1	Arm-Governor				
49113	49113-7005	1	Panel-Comp-Control				
92009	92009-7002	2	Screw, 4x30				
92145	92145-7003	1	Spring				
92145A	92145-7004	1	Spring				
92145B	92145-7005	1	Spring				
92150	92150-2182	1	Bolt, 5x18				
92151	92151-7006	1	Bolt, 6x30				
92170	92170-7001	1	Clamp				
130	130B0612	2	Bolt-Flanged				
214	214B0408	2	Screw-Pan				
311	311B0600	1	Nut-Hex				
411	411B0600	1	Washer-Plain				

Carburetor Assembly Kawasaki FH451V-AS08



Carburetor Assembly Kawasaki FH451V-AS08

Ref. No.	Part No.	Qty.	Description	Ref. No.	Part No.	Qty.	Description
11003	11003-2105	1	Seat-Valve				
11060	11060-2406	1	Gasket				
11060A	11060-7003	2	Gasket, Insulator				
11060B	11060-7004	1	Gasket, Air Filter				
11060C	11060-7005	2	Gasket				
11065	11065-2061	1	Cap				
15003	15003-7017	1	Carburetor-Assy				
16014	16014-2080	1	Screw-Pilot Air				
16020	16020-2141	1	Chamber-Float				
16021	16021-2060	1	Screw-Throttlestop				
16025	16025-2193	1	Valve-Throttle, #130				
16030	16030-2067	1	Valve-Float				
16031	16031-2066	1	Float				
16035	16035-2060	1	Jet-Air, #1.7				
16035A	16035-2061	1	Jet-Air, #1.2				
16041	16041-7005	1	Shaft-Carburetor, Choke				
16041A	16041-7006	1	Shaft-Carburetor Throttle				
16073	16073-7001	1	Insulator				
16126	16126-7007	1	Valve				
39076	39076-2053	1	Limiter				
43058	43058-3716	1	Ring				
49121	49121-2222	1	Nozzle-Main				
59076	59076-7001	1	Manifold-Intake				
92009	92009-2015	1	Screw				
92009A	92009-2024	2	Screw				
92009B	92009-2081	2	Screw				
92022	92022-2231	1	Washer				
92022A	92022-2239	1	Washer				
92027	92027-2025	1	Collar				
92033	92033-2067	1	Ring-Snap				
92043	92043-2226	1	Pin				
92063	92063-2358	1	Jet-Main				
92064	92064-2125	1	Jet-Pilot				
92081	92081-2009	1	Spring				
92081A	92081-2256	1	Spring				
92093	92093-2002	1	Seal				
92145	92145-2061	1	Spring				
92151	92151-2092	1	Bolt				
92191	92191-7008	1	Tube				
130	130B0635	4	Bolt-Flanged				
172	172G0685	2	Bolt-Stud				
482	482L4000	1	Circlip-Type-E				



Air-Filter/Muffler Assembly Kawasaki FH451V-AS08

Ref. No.	Part No.	Qty.	Description
11010	11010-7001	1	Filter-Assy-Air
11011	11011-7001	1	Case-Air Filter
11013	11013-7001	1	Element-Air Filter
11013A	11013-7002	1	Element-Air Filter
11038	11038-7001	1	Case-Assy-Air Filter
11050	11050-7004	1	Bracket
11050A	11050-7006	1	Bracket
11051	11051-7005-9H	1	Bracket
11060	11060-7021	2	Gasket, Muffler
13270	13270-7001	1	Plate
13270A	13270-7008	1	Plate
18049	18049-7001	1	Pipe-Exhaust
27012	27012-7001	2	Hook, Air Filter
32153	32153-7001	1	Pipe
49070	49070-7002	1	Muffler-Comp
92072	92072-7002	1	Band
92015	92015-1193	2	Nut
92170	92170-7002	1	Clamp
92191	92191-7001	1	Tube
92210	92210-7004	1	Nut
130	130B0612	2	Bolt-Flanged
130A	130B0816	2	Bolt-Flanged
232	232B0514	2	Screw-Pan-WS
233	233B0416	1	Screw-Pan WP
311	311B0400	1	Nut-Hex
317	317R0800	4	Nut-Hex-Small

Ref. No.	Part No.	Qty.	Description
461	461F0800	4	Washer-Spring

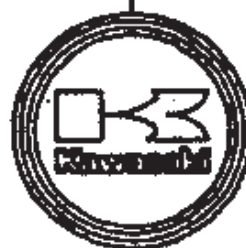
56080A



56033



56080

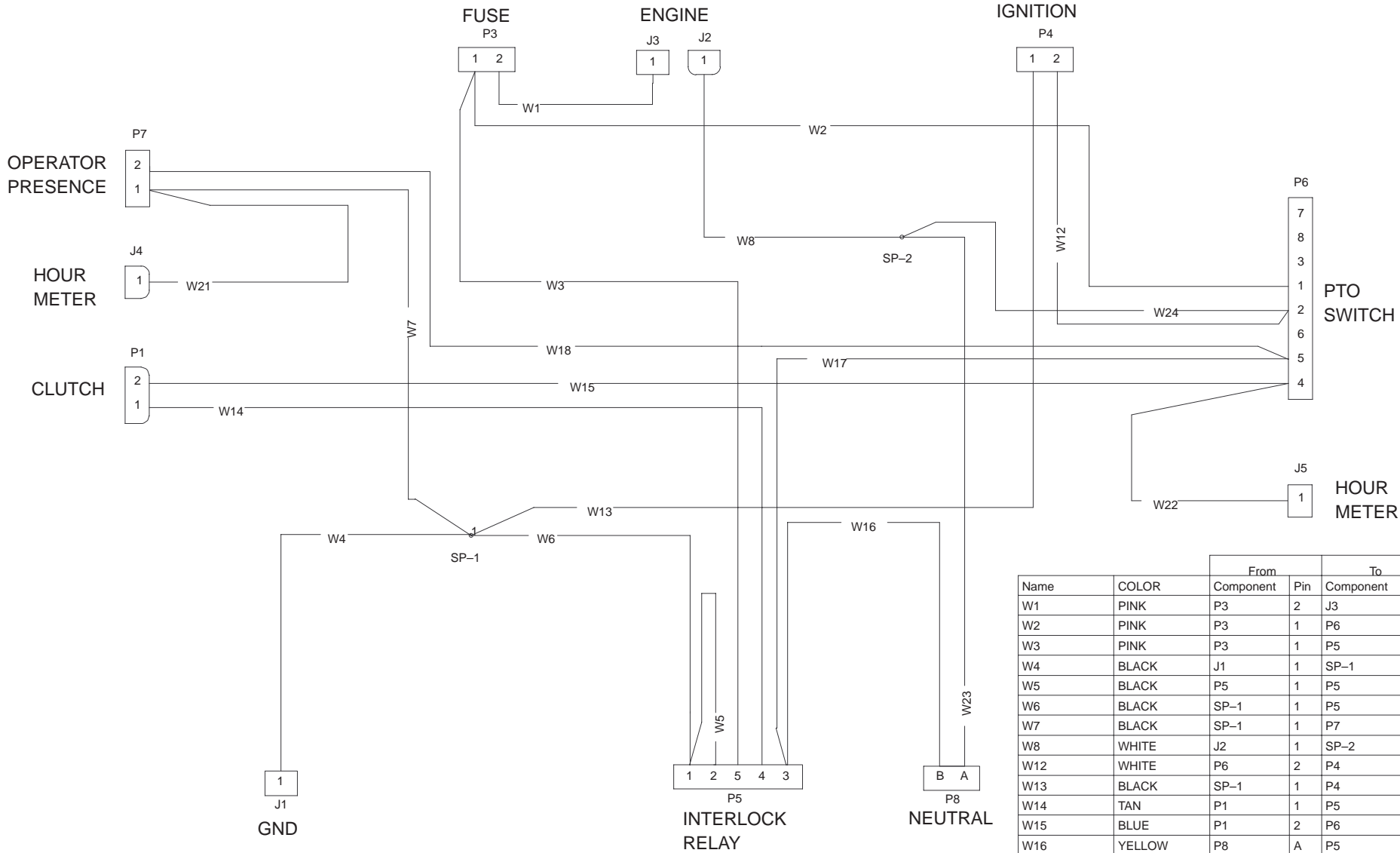


Decal – Kawasaki FH451V-AS08

Ref. No.	Part No.	Qty.	Description
56033	56033-7001	1	Label-Manual
56080	56080-2077	1	Label-Brand
56080A	56080-7010	1	Label-Brand

Ref. No.	Part No.	Qty.	Description

Electrical Schematic



Name	COLOR	From		To	
		Component	Pin	Component	Pin
W1	PINK	P3	2	J3	1
W2	PINK	P3	1	P6	1
W3	PINK	P3	1	P5	5
W4	BLACK	J1	1	SP-1	1
W5	BLACK	P5	1	P5	2
W6	BLACK	SP-1	1	P5	1
W7	BLACK	SP-1	1	P7	1
W8	WHITE	J2	1	SP-2	1
W9	WHITE	J2	1	SP-2	2
W10	WHITE	SP-2	2	P8	B
W11	WHITE	SP-2	2	P6	2
W12	WHITE	P6	2	P4	2
W13	BLACK	SP-1	1	P4	1
W14	TAN	P1	1	P5	4
W15	BLUE	P1	2	P6	4
W16	YELLOW	P8	A	P5	3
W17	YELLOW	P5	3	P6	5
W18	YELLOW	P6	5	P7	2
W21	BLACK	P7	1	J4	1
W22	BLUE	P6	4	J5	1
W23	WHITE	SP-2	1	P8	B
W24	WHITE	SP-2	1	P6	2

