



**Count on it.**

**Parts Catalog**

**Reelmaster® 6700-D  
4-Wheel Drive Traction Unit**

Model No. 03813—Serial No. 403190001 and Up



# Ordering Replacement Parts

To order replacement parts, please supply the part number, the quantity, and the description of each part desired.

## Understanding Reference Numbers

Each identified part in an illustration has a reference number. The reference number for a part also appears in the parts list, along with other information about the part.

This catalog uses two special reference number formats, one to indicate parts in a service assembly and another to indicate the quantity of a given part in an illustration.

## Service Assembly Reference Numbers

Parts in service assemblies have reference numbers in the form a:b. The a represents the reference number of the entire service assembly and the b represents a sequential number unique to each part within the service assembly.

For example, a wheel assembly might be identified by reference number 6, the tire by 6:1, the valve by 6:2, and the wheel by 6:3. When you order the assembly identified by reference number 6, you receive all parts identified by reference numbers 6:1, 6:2, and 6:3. However, you may also order any part individually. Reference numbers of this type appear in illustration and in parts lists.

## Reference Numbers Indicating Quantity

In an illustration, if a reference number indicates more than one part, the reference number has the form nX y. The n represents the quantity of the part, the X is the multiplication symbol, and the y represents the reference number.

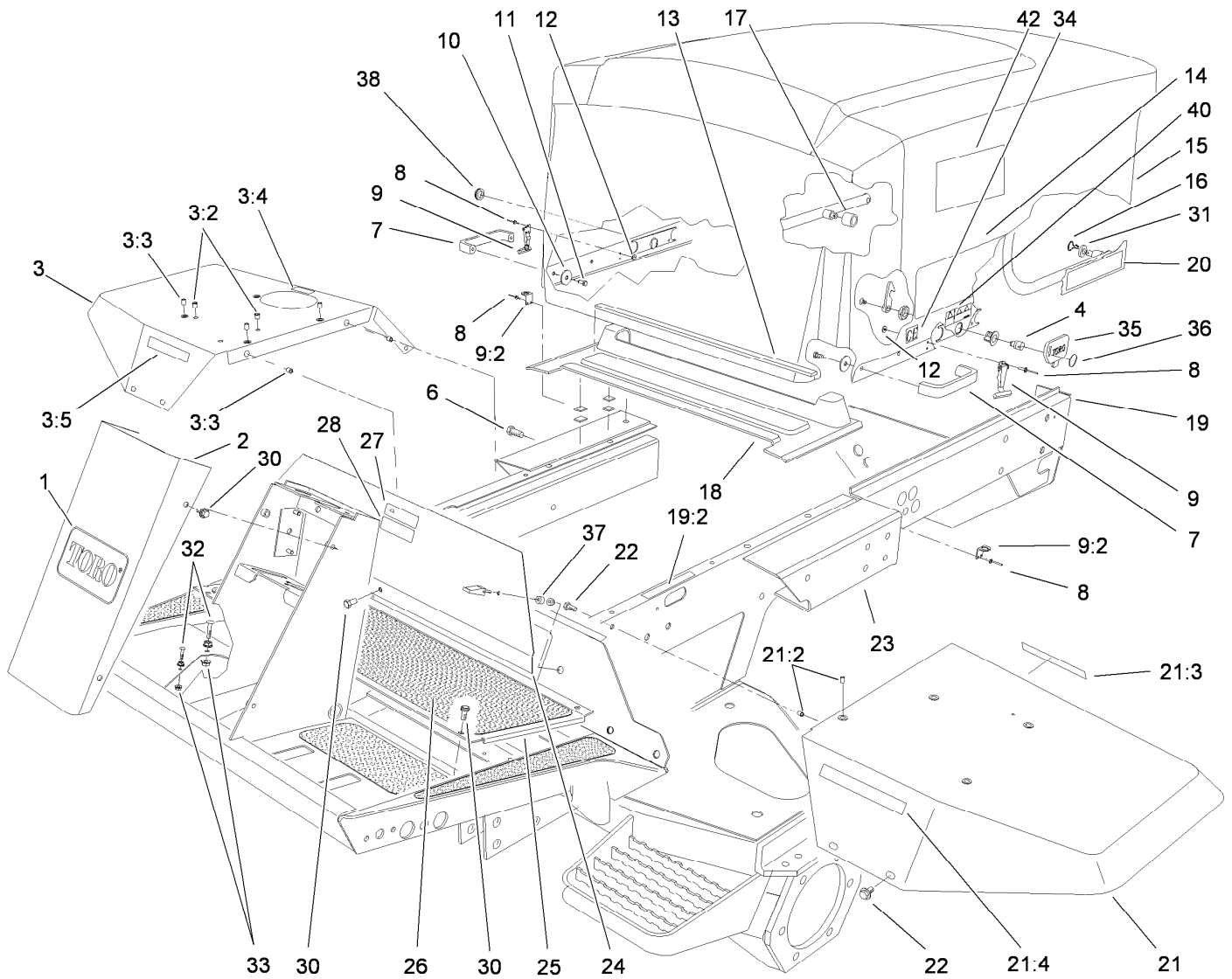
For example, in an illustration, the reference number 2X 37 means that two of the parts identified by reference number 37 are indicated.

# Contents

Frame and Body Assembly	5
Front Frame Assembly No. 108-4407	7
Tool Box Assembly	8
Control Console Assembly	9
Control Console and Battery Assembly	10
Hydraulic Filter and Reservoir Assembly	12
Fuel Tank Assembly	13
Traction Pedal Assembly	14
Brake Pedal Assembly	15
Seat and Suspension Assembly	16
Seat Suspension Assembly No. 110-9730	17
Seat Frame and Throttle Assembly	18
Steering Wheel Assembly	19
Steering Valve Assembly No. 130-7946	20
Steering Tower Assembly	21
Front Hydraulic Drive Assembly	23
Front Axle and Brake Assembly	24
Planetary Assembly No. 136-2913	25
Brake Assembly No. 100-3070-03	26
Hydraulic Motor Assembly No. 92-7385	27
Brake Assembly No. 100-3069-03	28
Hydraulic Motor Assembly No. 93-7476	29
Hydraulic Pump Installation Assembly	30
Gear Pump Assembly No. 115-8031	31
Piston Pump Assembly No. 110-0006	32
Control Assembly No. 108-1503	33
Radiator Support and Shroud Assembly	34
Radiator and Screen Assembly	35
Engine Installation Assembly	36
Oil/Water/Fuel Filter, Muffler and Air Cleaner Assembly	38
Air Filter Assembly No. 100-2597	39
Rear Hydraulic Assembly	40
4 Wheel Drive Axle and Power Steering Assembly	41
Hydraulic Motor Assembly No. 92-7386	43
Bevel Pinion Shaft Assembly Rear Axle Assembly No. 110-4750	44
Differential Assembly Rear Axle Assembly No. 110-4750	45
Axle Support Assembly Rear Axle Assembly No. 110-4750	46
Bevel Gear Case Assembly Rear Axle Assembly No. 110-4750	47
Bevel Gear Shaft Assembly Rear Axle Assembly No. 110-4750	48
Axle Case Assembly Rear Axle Assembly No. 110-4750	49
Axle Assembly Rear Axle Assembly No. 110-4750	50
Hydraulic Steer Cylinder Assembly No. 127-6431	51
Rear Hydraulic Control Block Assembly	52
Hydraulic Manifold Mow Block Assembly	53
Hydraulic Motor Assembly No. 120-6272	55
Hydraulic Manifold Assembly No. 112-6510	56
Four Wheel Drive Valve Assembly No. 76-9970	57
Front Hydraulic Control Block and Hose Assembly	58
Lift Manifold Assembly No. 112-6528	59
Front No. 1 Lift Arm Assembly	60
Lift Cylinder Assembly No. 108-4437	61
Front No. 4 and No. 5 Lift Arm Assembly	62
Hydraulic Cylinder Assembly No. 110-9709	64
Rear No. 2 and No. 3 Lift Arm Assembly	65

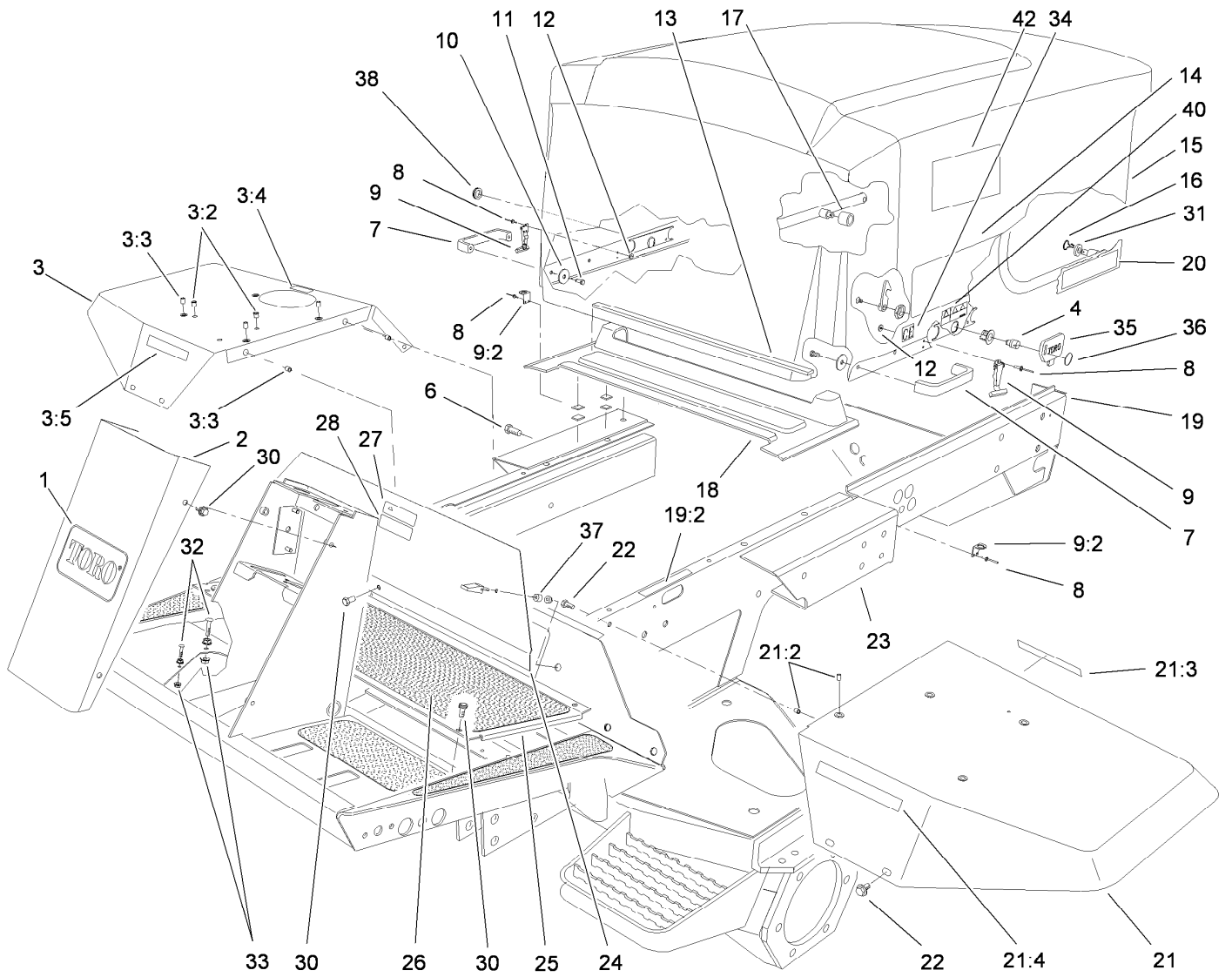
# Contents (continued)

Hydraulic Cylinder Assembly No. 108-4438 .....	67
Reel Motor Assembly .....	68
Rear No. 6 and No. 7 Lift Arm Assembly .....	69
Hydraulic Cylinder Assembly No. 108-4440 .....	71
Roll-Over Protection System Assembly .....	72
Crankcase Assembly .....	73
Oil Pan Assembly .....	74
Cylinder Head Assembly .....	75
Gear Case Assembly .....	76
Cylinder Head Cover Assembly .....	77
Dipstick and Guide Assembly .....	78
Main Bearing Case Assembly .....	79
Cam Shaft and Idle Gear Shaft Assembly .....	80
Piston and Crankshaft Assembly .....	81
Flywheel Assembly .....	82
Fuel Camshaft and Governor Shaft Assembly .....	83
Idle Apparatus Assembly .....	84
Injection Pump Assembly .....	85
Speed Control Plate Assembly .....	86
Nozzle Holder and Glow Plug Assembly .....	87
Nozzle Holder Component Assembly .....	88
Governor Assembly .....	89
Alternator and Pulley Assembly .....	90
Alternator Component Assembly .....	91
Starter Assembly .....	92
Water Flange and Thermostat Assembly .....	93
Water Pump Assembly .....	94
Overflow Bottle Assembly .....	95
Valve and Rocker Arm Assembly .....	96
Inlet and Exhaust Manifold Assembly .....	97
Turbo Charger Assembly .....	98
Oil Pipe Assembly .....	99
Oil Cooler Assembly .....	100
Attachments and Accessories .....	101



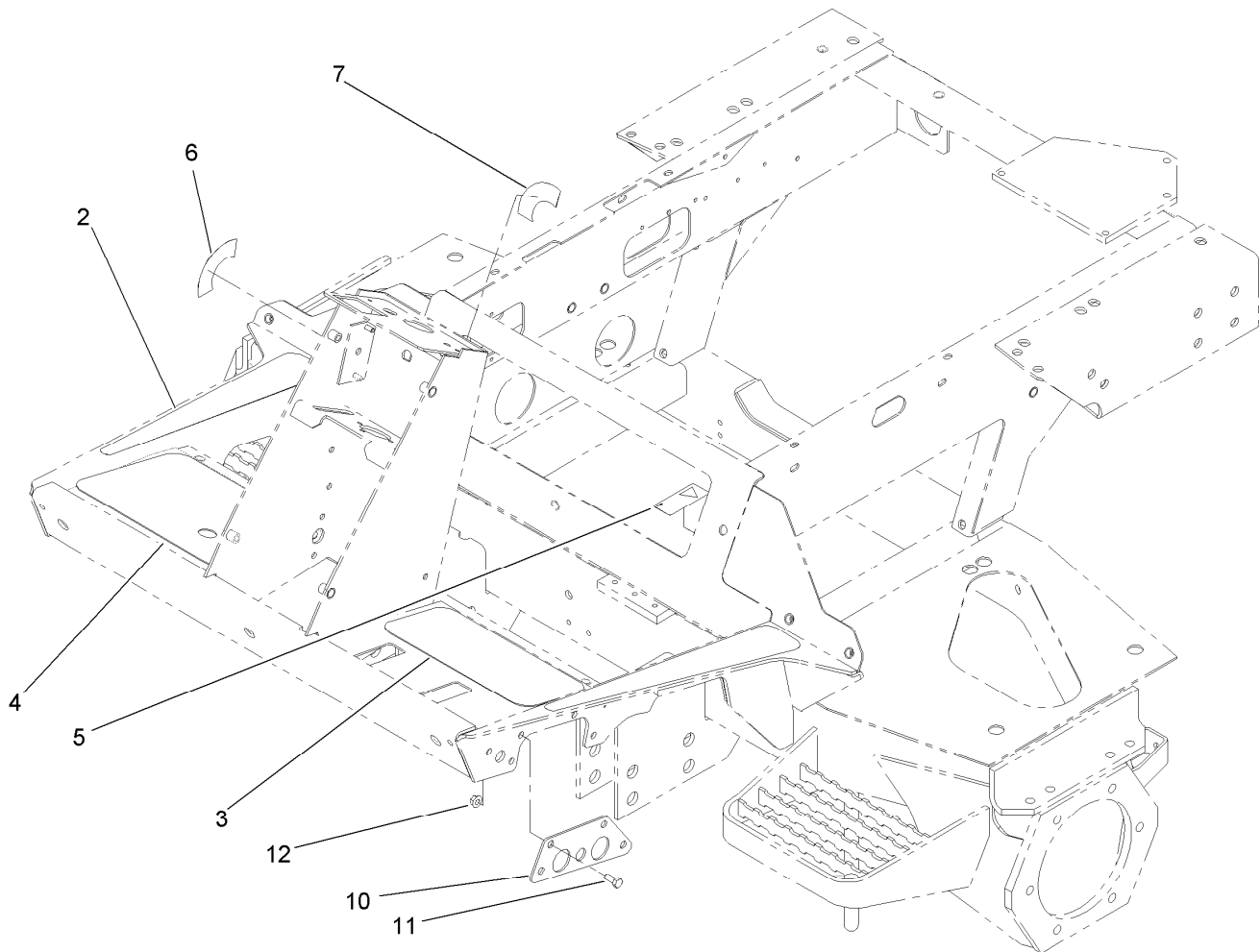
## Frame and Body Assembly

Ref.	Part Number	Qty.	Description	Ref.	Part Number	Qty.	Description
1	62-5550	1	Decal	18	108-4409	1	Pump Cover ASM
2	93-7996-01	1	Cover-Tower	19	115-8040	1	Rear Frame ASM
3	106-5950	1	RH Fender ASM	19:2	115-2047	1	Decal-Surface, Hot
3:2	32148-6	2	Nut-Clinch	20	72-3560	2	Decal
3:3	32148-7	5	Nut-Clinch	21	106-5951	1	LH Fender ASM
3:4	93-6686	1	Decal-Oil, HYD	21:2	32148-7	6	Nut-Clinch
3:5	93-6689	1	Decal-No Riders	21:3	93-6680	1	Decal-Diesel
4	105-3301	1	Latch ASM	21:4	93-6689	1	Decal-No Riders
6	3234-38	12	Screw-HHF	22	3234-5	10	Screw-HHF
7	65-5100	2	Handle-Door	23	108-4407	1	Front Frame ASM
8	3269-8	8	Rivet-Blind	24	75-1390-01	1	Cover-Access, Front
9	59-9740	2	Flex Draw Latch ASM	25	75-1410-01	1	Plate-Access, Floor
9:2	249-40	1	Keeper	26	75-0630	1	Tread-Foot, Center
10	3256-78	4	Washer-Flat	27	93-9425	1	Decal-Danger
11	46-8091	4	Screw-HWH	28	133-8062	1	Decal-Arrestor, Spark
12	3269-10	4	Washer-Back	30	3234-7	9	Screw-HHF
13	92-7633	1	Bumper-Hood	31	66-6480	4	Washer
14	106-7065	2	Decal	32	3274-83	2	Screw-HSH
15	105-0130	1	Hood	33	32128-20	4	Nut-HF
16	3290-467	2	Pin-Hair	34	93-7252	1	Decal
17	93-7582	1	Hose	35	99-8970	1	Key-Latch, Hood



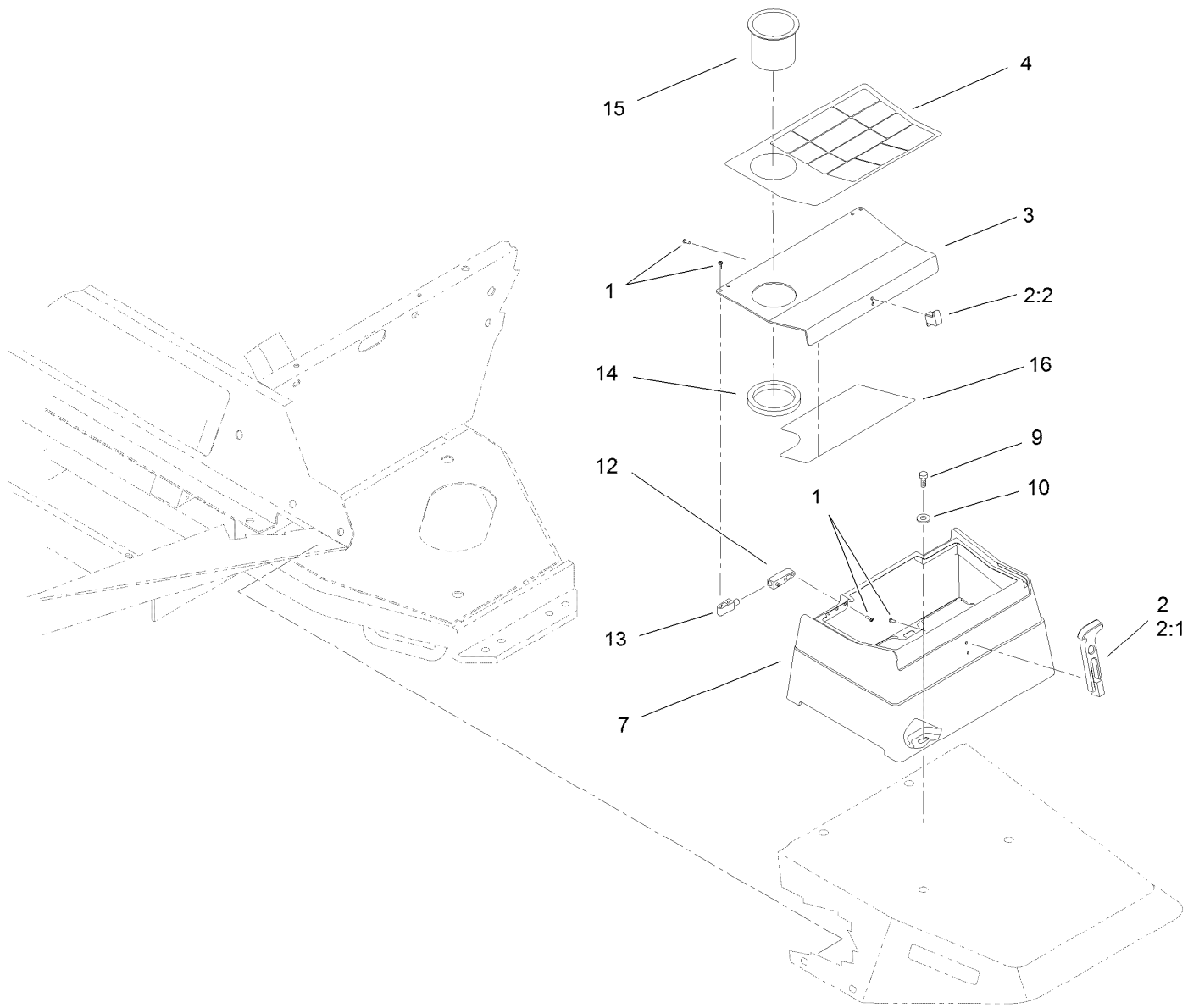
## Frame and Body Assembly (continued)

<i>Ref.</i>	<i>Part Number</i>	<i>Qty.</i>	<i>Description</i>	<i>Ref.</i>	<i>Part Number</i>	<i>Qty.</i>	<i>Description</i>
36	98-9321	1	Ring-Key	40	106-6754	1	Decal-Danger
37	74-5950	2	Latch-Swell	42	66-6140	2	Decal
38	104-1453	1	Grommet				



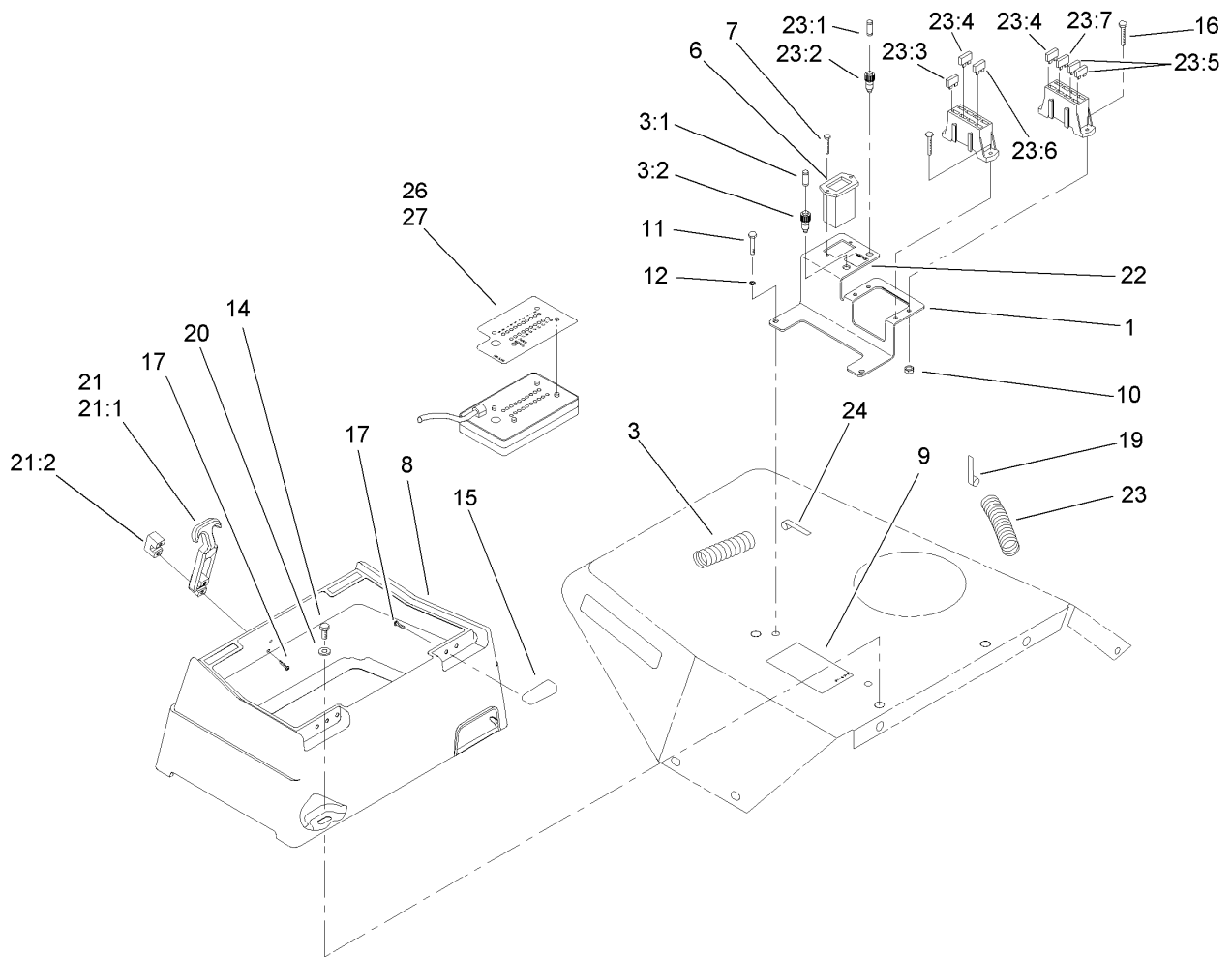
## Front Frame Assembly No. 108-4407

<i>Ref.</i>	<i>Part Number</i>	<i>Qty.</i>	<i>Description</i>
2	93-7592	2	Tread-Rest, Foot
3	75-0620	1	Tread-Foot, LH
4	104-5223	1	Tread-Foot, RH
5	93-6693	1	Decal-Plate, Floor
6	93-6699	1	Decal-Fast / Slow
7	105-7506	1	Decal-Switch, Key
10	106-7793-01	2	Plate-Mount, Tube
11	322-3	7	Screw-HH
12	32128-20	7	Nut-HF



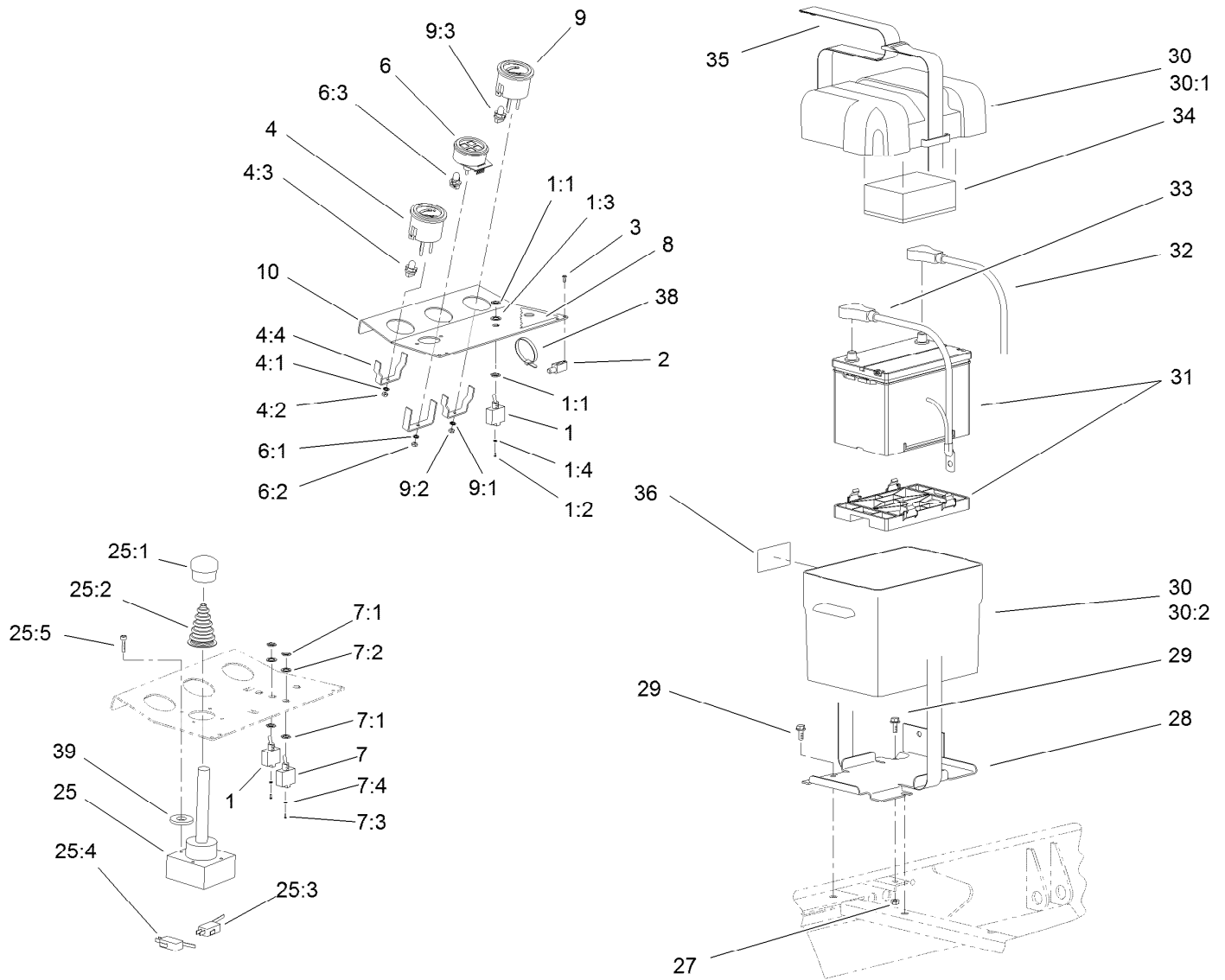
## Tool Box Assembly

Ref.	Part Number	Qty.	Description
1	32144-1	12	Screw-Taptite
2	94-5626	1	Flexible Draw Latch ASM
2:1	103-4080	1	Latch-Rubber
2:2	103-4081	1	Latch-Keeper
3	104-1489-03	1	Cover-Toolbox
4	115-2045	1	Decal-Warning, Ansi
4	115-2046	1	Decal-Warning, CE
7	104-0026	1	Toolbox
9	322-4	4	Screw-HH
10	3256-3	4	Washer-Flat
12	104-1496	2	Hinge-Pin
13	104-1497	2	Hinge-Receiver
14	104-1476	1	Ring-Rubber
15	94-1410	1	Holder-Can, Beverage
16	138-6982	1	Decal-Quick Reference



## Control Console Assembly

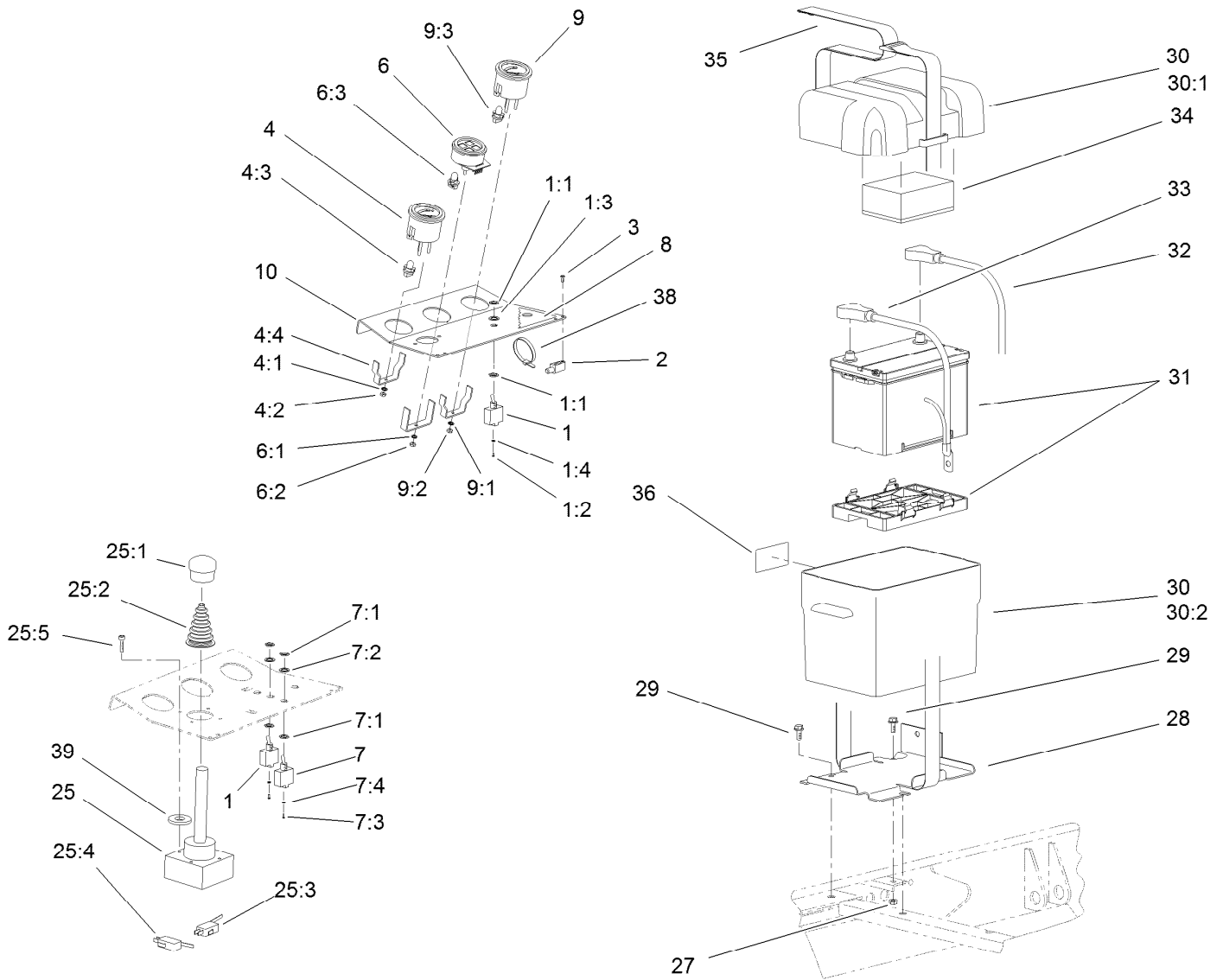
<i>Ref.</i>	<i>Part Number</i>	<i>Qty.</i>	<i>Description</i>	<i>Ref.</i>	<i>Part Number</i>	<i>Qty.</i>	<i>Description</i>
1	105-0137-03	1	Bracket-Block, Fuse	20	3256-3	3	Washer-Flat
3	114-3343	1	Harness-Wire	21	94-5626	1	Flexible Draw Latch ASM
3:1	85-4491	1	Light-Indicator (Includes Lamp)	21:1	103-4080	1	Latch-Rubber
3:2	219-19	1	Lamp-Green	21:2	103-4081	1	Latch-Keeper
6	75-6820	1	Hourmeter	22	104-9298	1	Decal-Controller
7	32144-18	2	Screw-HWH	23	105-0119	1	Harness-Wire, Console
8	104-0027	1	Box-Control	23:1	219-19	1	Lamp-Green
9	104-5229	1	Decal-Fuses, CE	23:2	85-4491	1	Light-Indicator (Includes Lamp)
10	3296-2	4	Nut-Lock, NI	23:3	94-9157	1	Fuse-Blade, 4 Amp
11	321-4	2	Screw-HH	23:4	114241	1	Fuse-Blade, 7.5 Amp
12	3253-3	2	Washer-Lock	23:5	218-578	3	Fuse-Blade, 10 Amp
14	322-4	3	Screw-HH	23:6	109355	1	Fuse-Blade, 15 Amp
15	104-1497	2	Hinge-Receiver	23:7	109101	1	Fuse-Blade, 20 Amp
16	32105-13	4	Screw-HWH	24	94-6344	1	Decal-Wire
17	32144-1	6	Screw-Taptite	26	119-6985	1	Decal-Overlay, Diagnostic
19	94-6343	1	Decal-Identification, Wire	27	119-6986	1	Decal-Overlay, Diagnostic



## Control Console and Battery Assembly

Ref.	Part Number	Qty.	Description
1	99-8352	1	Switch-Backlap, Master
1:1	218-498	2	Nut-Lock
1:2	218-588	3	Screw
1:3	218-589	1	Washer
1:4	3253-19	3	Washer-Lock
2	104-1496	2	Hinge-Pin
3	32144-1	4	Screw-Taptite
4	98-9339	1	Gauge-Fuel
4:1	3254-1	3	Washer-Lock, Int
4:2	3217-27	3	Nut-Hex
4:3	105-9265	1	Bulb And Lamp ASM
4:4	105-0038	1	Bracket-Gauge
6	112-6561	1	Warning Light ASM
6:1	3254-1	1	Washer-Lock, Int
6:2	3217-27	1	Nut-Hex
6:3	105-9264	4	Bulb And Lamp ASM
7	75-1010	2	Switch-Reel
7:1	218-498	2	Nut-Lock
7:2	218-589	1	Washer
7:3	218-588	2	Screw
7:4	3253-19	2	Washer-Lock

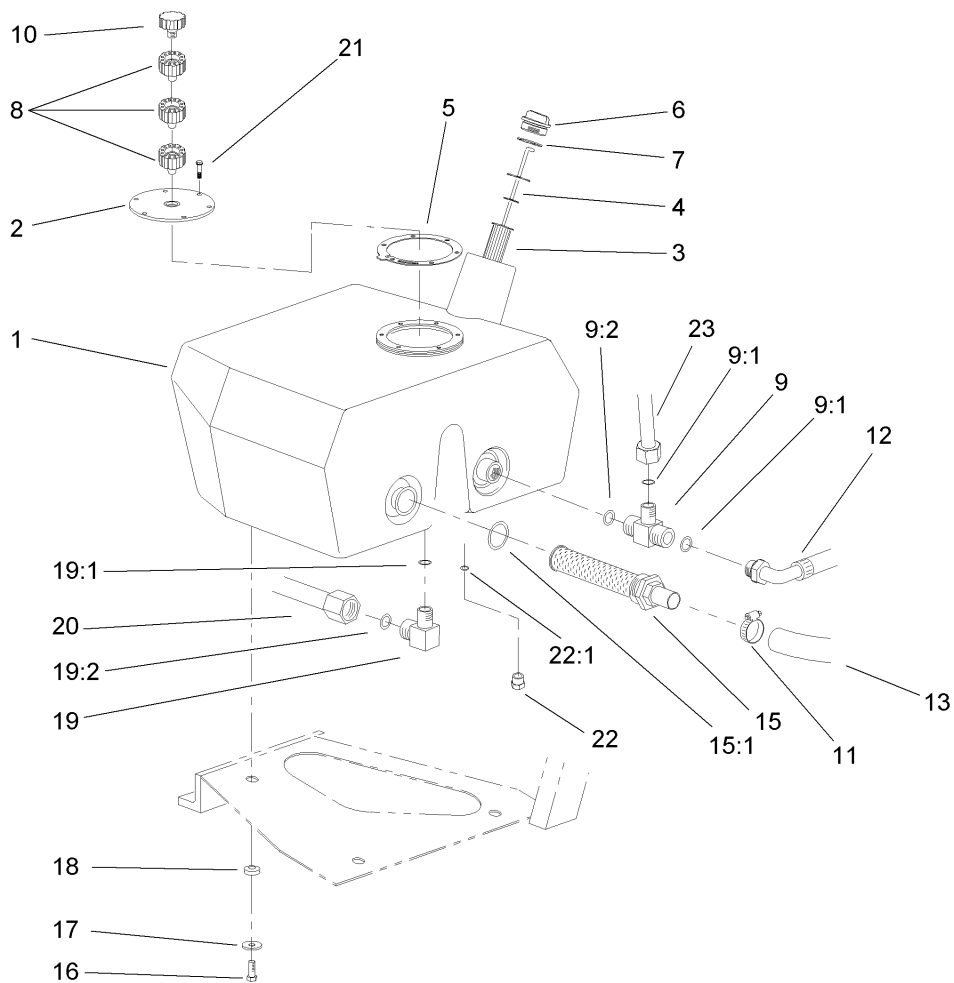
Ref.	Part Number	Qty.	Description
8	105-0123	1	Decal-Console
9	98-9308	1	Gauge-Temperature
9:1	3254-1	3	Washer-Lock, Int
9:2	3217-27	3	Nut-Hex
9:3	105-9265	1	Bulb And Lamp ASM
10	104-1498-03	1	Panel-Control
25	93-9196	1	Joystick-6 Position
25:1	3290-489	1	Knob
25:2	94-2600	2	Boot-Joystick
25:3	94-2601	4	Microswitch
25:4	94-2602	2	Actuator-Joystick
25:5	60-6500	4	Screw-HH
27	3296-29	1	Nut-Lock, NI
28	93-7974-03	1	Plate-Box, Battery
29	3234-5	3	Screw-HHF
30	93-7595	1	Battery Box ASM
30:1	105-2914	1	Top-Battery Box
30:2	105-2915	1	Bottom-Battery Box
31	106-5190	1	Battery, 660 CCA W/O Electrolyte
32	105-0114	1	Cable-Battery, Positive



## Control Console and Battery Assembly (continued)

Ref.	Part Number	Qty.	Description
33	105-0115	1	Cable-Battery, Negative
34	93-7968	1	Pad-Foam
35	3339-175	1	Strapping-Web

Ref.	Part Number	Qty.	Description
36	93-6668	1	Decal-Battery
38	3290-378	2	Tie-Cable
39	3256-75	4	Washer-Flat

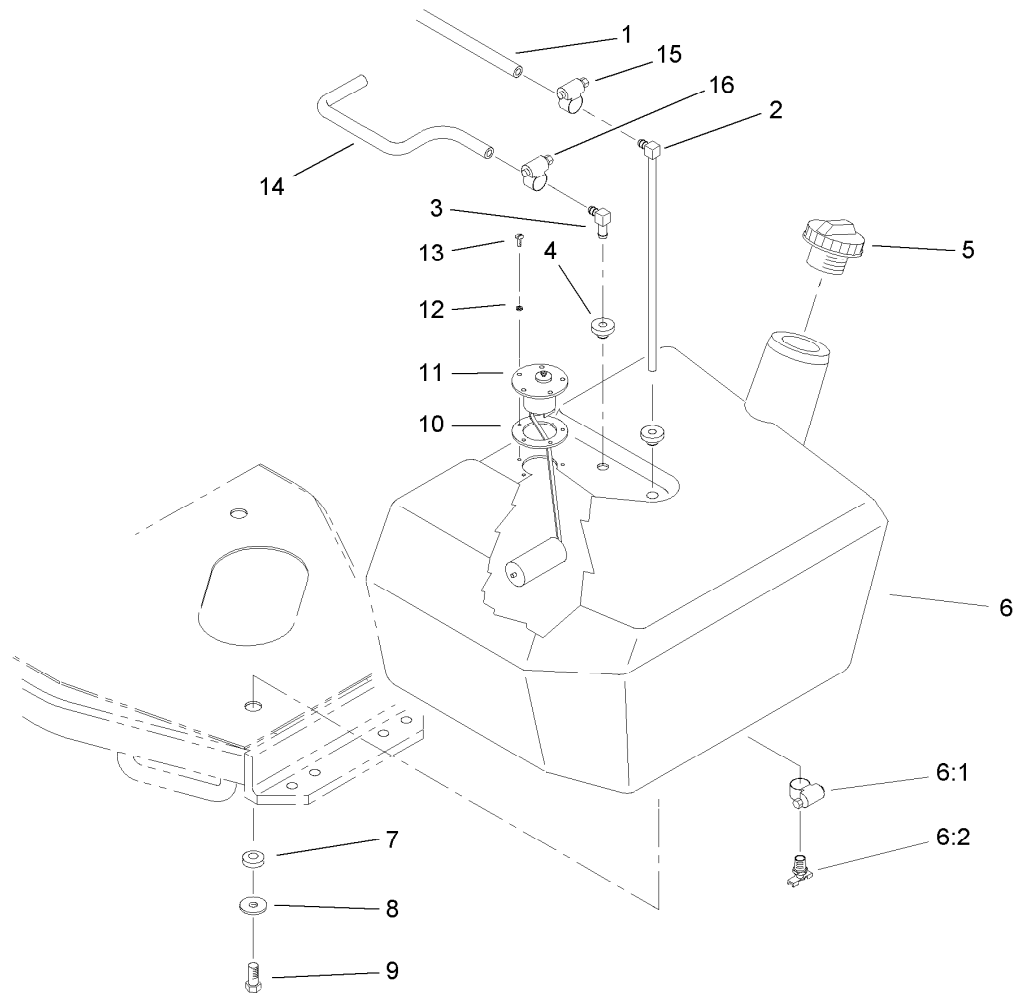


## Hydraulic Filter and Reservoir Assembly

Ref.	Part Number	Qty.	Description
1	117-8982	1	Tank-Hydraulic
2	99-2580	1	Cover-Tank
3	61-2790	1	Filter-Screen
4	119-6968	1	Dipstick-Oil
5	93-7499	1	Gasket
6	93-7498	1	Plug-Plastic
7	94-8166	1	O-Ring
8	92-8020	3	Adapter-Breather
9	104-3795	1	Fitting-Tee
9:1	340-65	2	O-Ring
9:2	237-146	1	O-Ring
10	68-6150	1	Breather
11	2412-111	1	Clamp-Hose, W/Liner
12	104-3790	1	Pump Return Hose ASM
13	104-3792	1	Hose-Suction

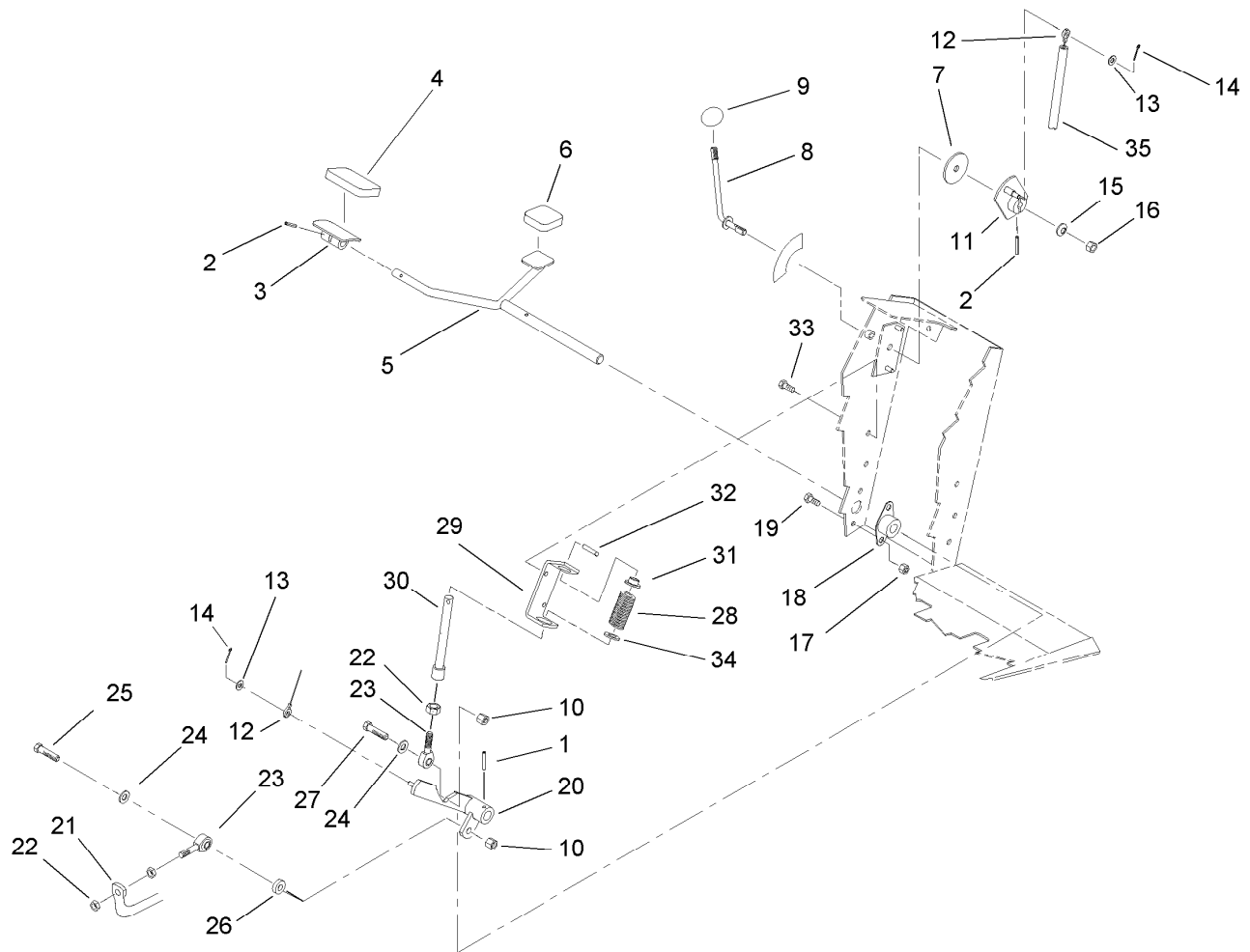
Ref.	Part Number	Qty.	Description
15	105-0131	1	Strainer-Tank, Oil
15:1	340-136	1	O-Ring
16	33105-025	3	Screw-HHF
17	63-8410	3	Washer
18	240-11	3	Bushing-Flange
19	340-98	1	Fitting-Elbow, 90 DEG
19:1	237-79	1	O-Ring
19:2	237-30	1	O-Ring
20	92-7478	1	RH Motor Tube ASM
21	33104-020	6	Screw-HHF
22	353-508	1	Plug-HH
22:1	237-42	1	O-Ring
23	104-3748	1	HYD Tank Tube ASM
23:1	340-65	1	O-Ring ●

● Not illustrated



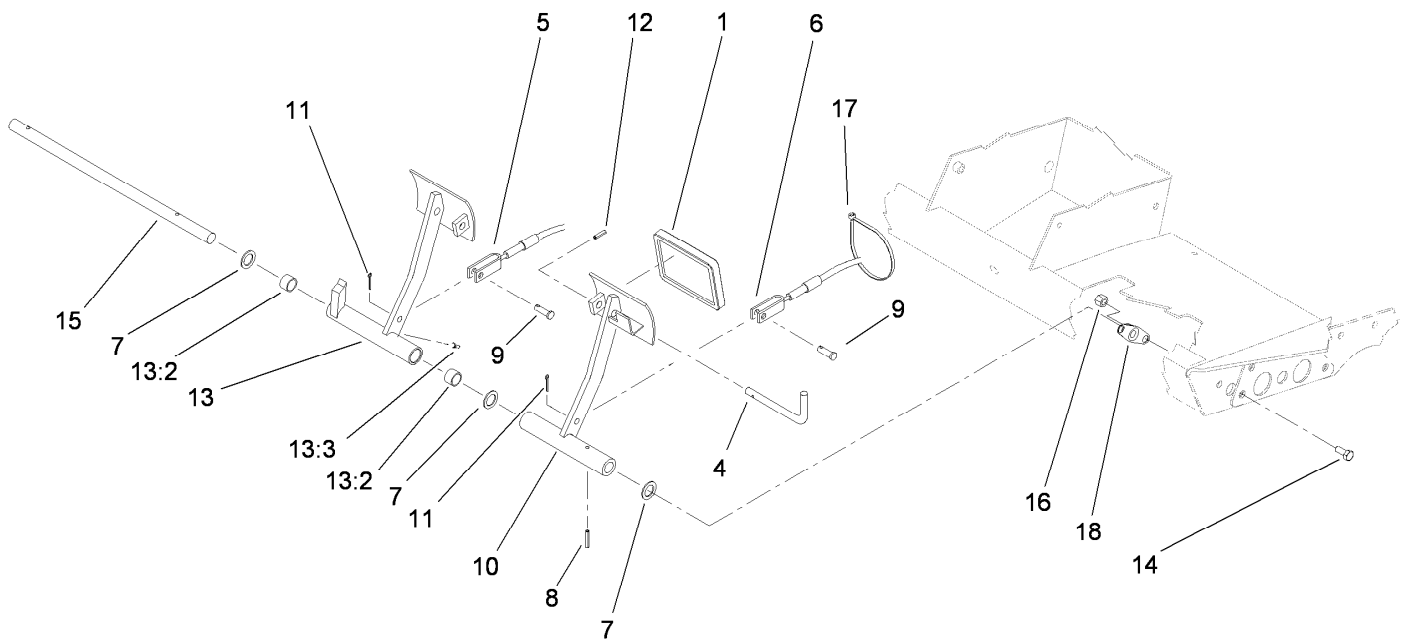
## Fuel Tank Assembly

<i>Ref.</i>	<i>Part Number</i>	<i>Qty.</i>	<i>Description</i>
1	115-2038	1	Hose-Fuel
2	110-9689	1	Pipe-Stand
3	104-5228	1	Fitting-Elbow, 90 DEG
4	46-6560	2	Bushing
5	115-5305	1	Cap-Fuel
6	105-7949	1	Tank-Fuel
6:1	2412-36	1	Clamp-Hose
6:2	304-46	1	Draincock
7	240-11	3	Bushing-Flange
8	63-8410	3	Washer
9	33105-025	3	Screw-HHF
10	62-7650	1	Gasket
11	63-7640	1	Sender-Fuel
12	3253-15	5	Washer-Lock
13	32122-24	5	Screw-PTH
14	110-4102	1	Hose-Fuel
15	92-2379	1	Clamp-Hose
16	2412-80	1	Clamp-Hose



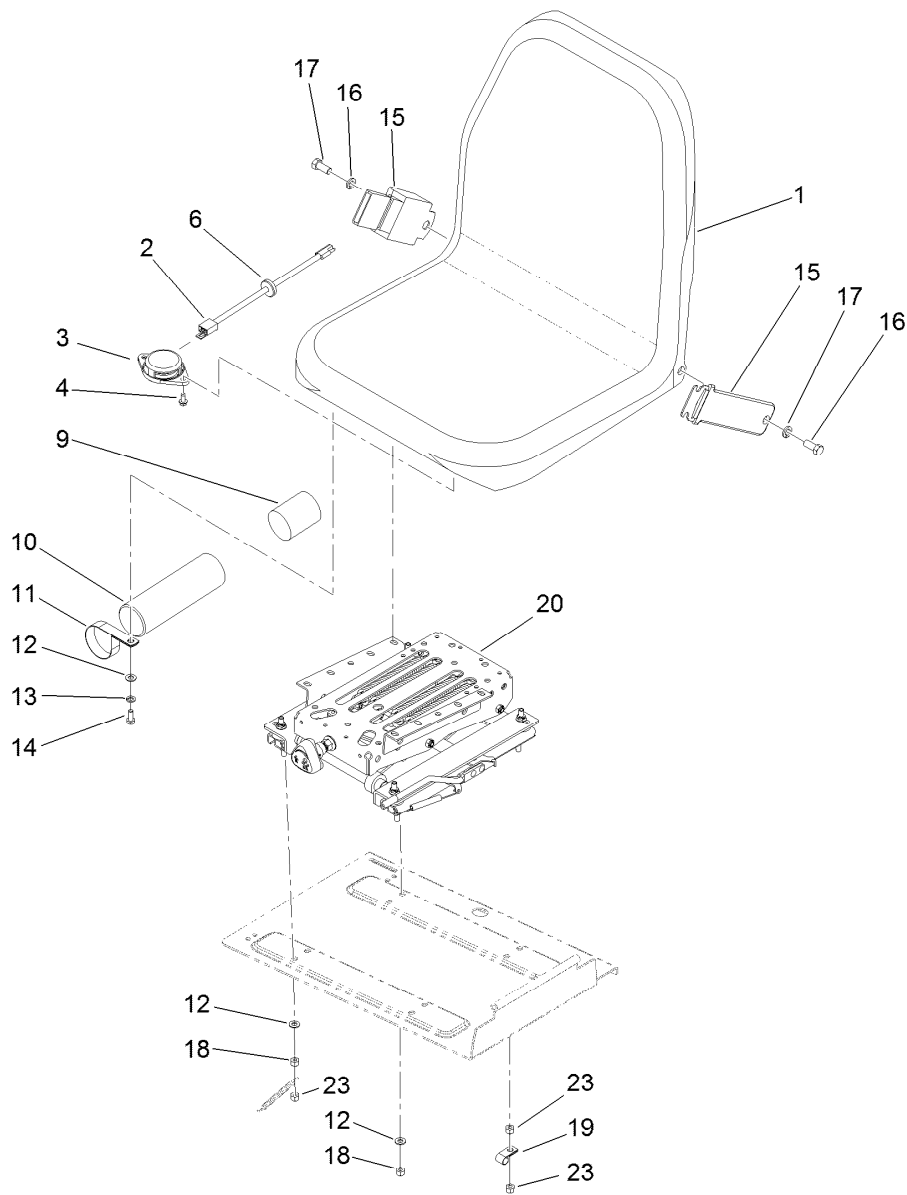
## Traction Pedal Assembly

<i>Ref.</i>	<i>Part Number</i>	<i>Qty.</i>	<i>Description</i>	<i>Ref.</i>	<i>Part Number</i>	<i>Qty.</i>	<i>Description</i>
1	32121-6	1	Pin-Roll, Slotted	19	322-3	4	Screw-HH
2	32121-45	2	Pin-Spring	20	75-3270-03	1	Hub-Pivot, Traction
3	117-9507	1	Pedal-Accelerator	21	100-3893-03	1	Tube-Control, Pump
4	74-9100	1	Pad-Pedal, Forward	22	3220-3	3	Nut-HJ
5	75-2970	1	Pedal-Traction	23	2411-36	2	Bearing-End, Rod
6	74-9110	1	Pad-Pedal, Reverse	24	3256-24	2	Washer-Flat
7	75-6550	1	Disc-Friction	25	323-8	1	Screw-HH
8	75-6490	1	Lever ASM	26	5-0652	1	Spacer
9	233-42	1	Knob	27	323-29	1	Screw-HH
10	3296-59	2	Nut-Lock, NI	28	60-5700	1	Spring
11	112-5084	1	Bracket-Lever	29	92-7608-03	1	Bracket-Spring
12	75-6580	1	Cable-Pedal	30	92-7609	1	Shaft-Spring
13	3256-22	2	Washer-Flat	31	92-7610	1	Retainer-Spring
14	3272-2	2	Pin-Cotter	32	32121-11	1	Pin-Roll
15	3290-461	1	Washer-Spring	33	32144-14	2	Screw-HWHTF
16	3296-59	1	Nut-Lock, NI	34	3256-5	1	Washer-Flat
17	32128-20	4	Nut-HF	35	95-7151	1	Tube-Convolutd
18	256-236	2	Bearing-Mount, Flange				



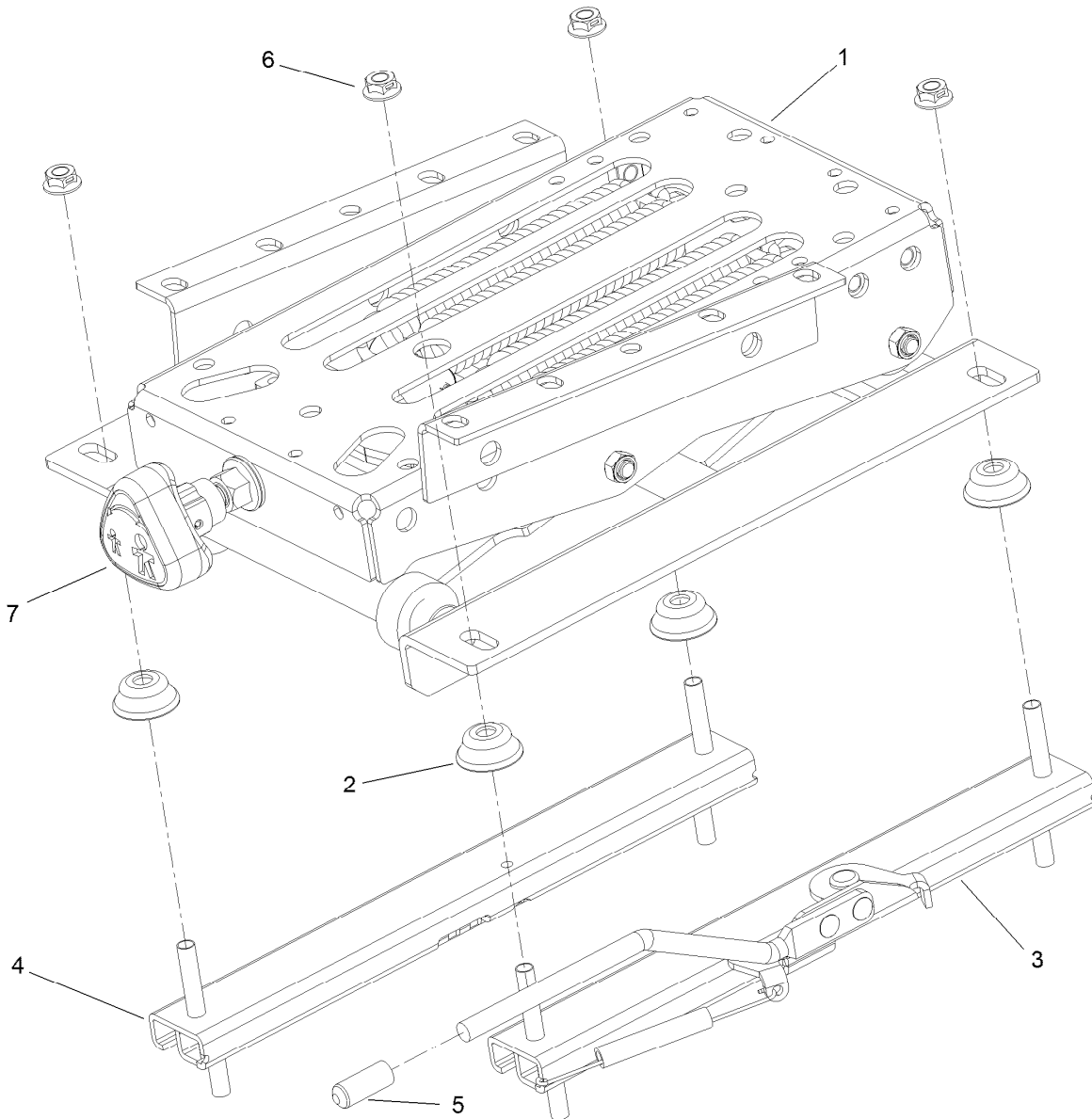
## Brake Pedal Assembly

<i>Ref.</i>	<i>Part Number</i>	<i>Qty.</i>	<i>Description</i>
1	93-8742	2	Footpad-Brake
4	63-7880	1	Pin-Latch, Brake
5	92-7530	1	Cable-Brake, LH
6	92-7529	1	Cable-Brake, RH
7	3256-69	3	Washer-Flat
8	32121-16	1	Pin-Spring
9	283-58	2	Pin-Clevis
10	75-1440-03	1	Pedal-Brake, LH
11	3272-10	2	Pin-Cotter
12	32121-50	1	Pin-Spring
13	75-1430	1	RH Brake Pedal ASM
13:2	256-42	2	Bushing
13:3	302-5	1	Fitting-Grease
14	322-3	4	Screw-HH
15	75-1470	1	Pin-Pivot, Brake
16	32128-20	4	Nut-HF
17	3290-378	1	Tie-Cable
18	256-236	2	Bearing-Mount, Flange



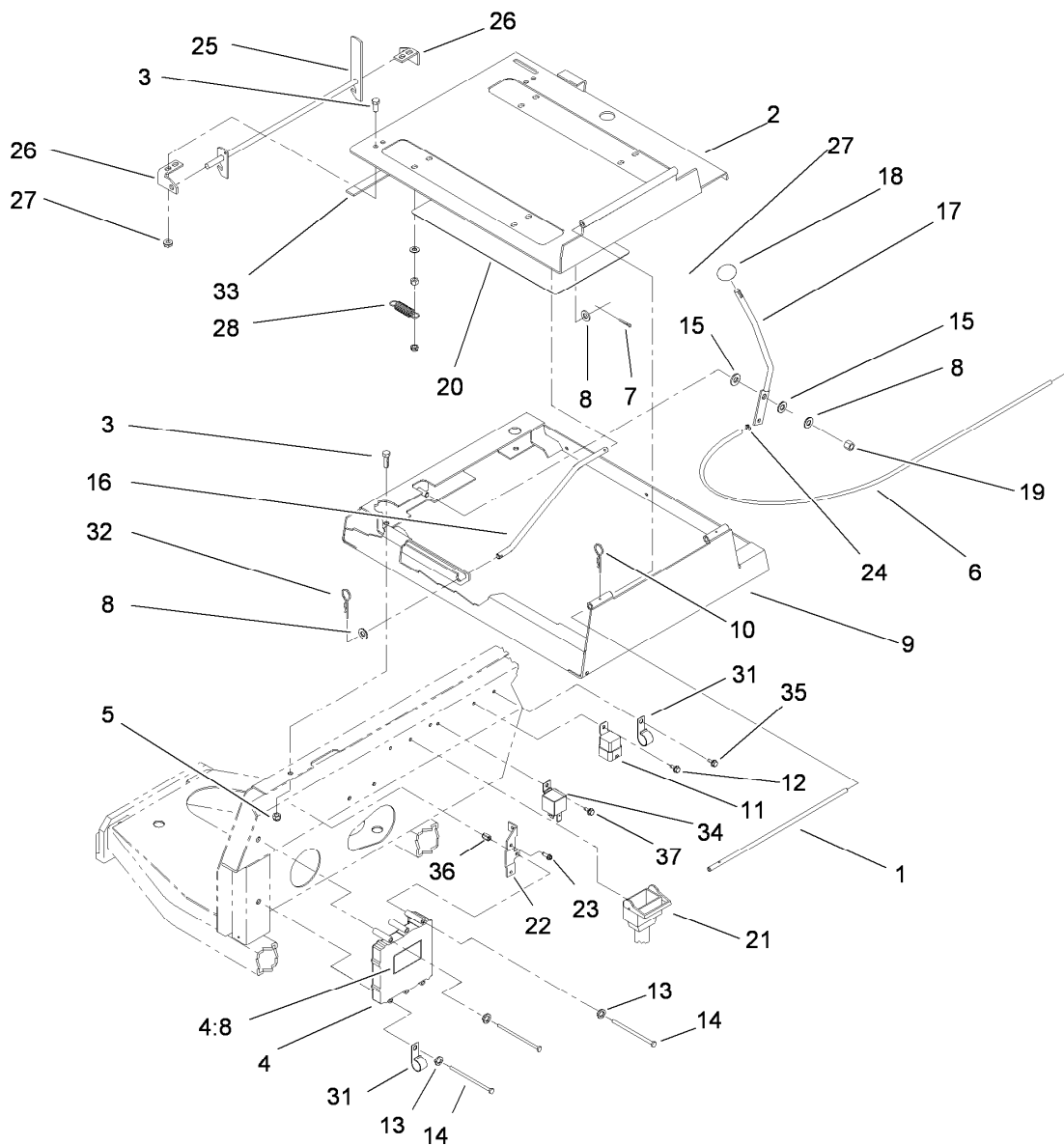
## Seat and Suspension Assembly

<i>Ref.</i>	<i>Part Number</i>	<i>Qty.</i>	<i>Description</i>	<i>Ref.</i>	<i>Part Number</i>	<i>Qty.</i>	<i>Description</i>
1	104-4620	1	Seat	13	3253-4	4	Washer-Lock
2	106-7090	1	Harness-Wire, Seat Switch	14	322-3	4	Screw-HH
3	112-6566	1	Switch-Seat	15	100-4928	1	Belt-Seat
4	32144-10	2	Screw-HWH	16	3212-4	2	Screw-HH
6	240-5	1	Grommet	17	3253-6	2	Washer-Lock
9	104-7048	1	Cap-Housing	18	3296-29	3	Nut-Lock, NI
10	104-7050	1	Tube-Manual	19	2412-93	1	Clamp-R
11	2412-133	2	Clamp-R	20	110-9730	1	Seat Suspension ASM
12	3256-23	8	Washer-Plain	23	3296-47	3	Nut-Lock,NI



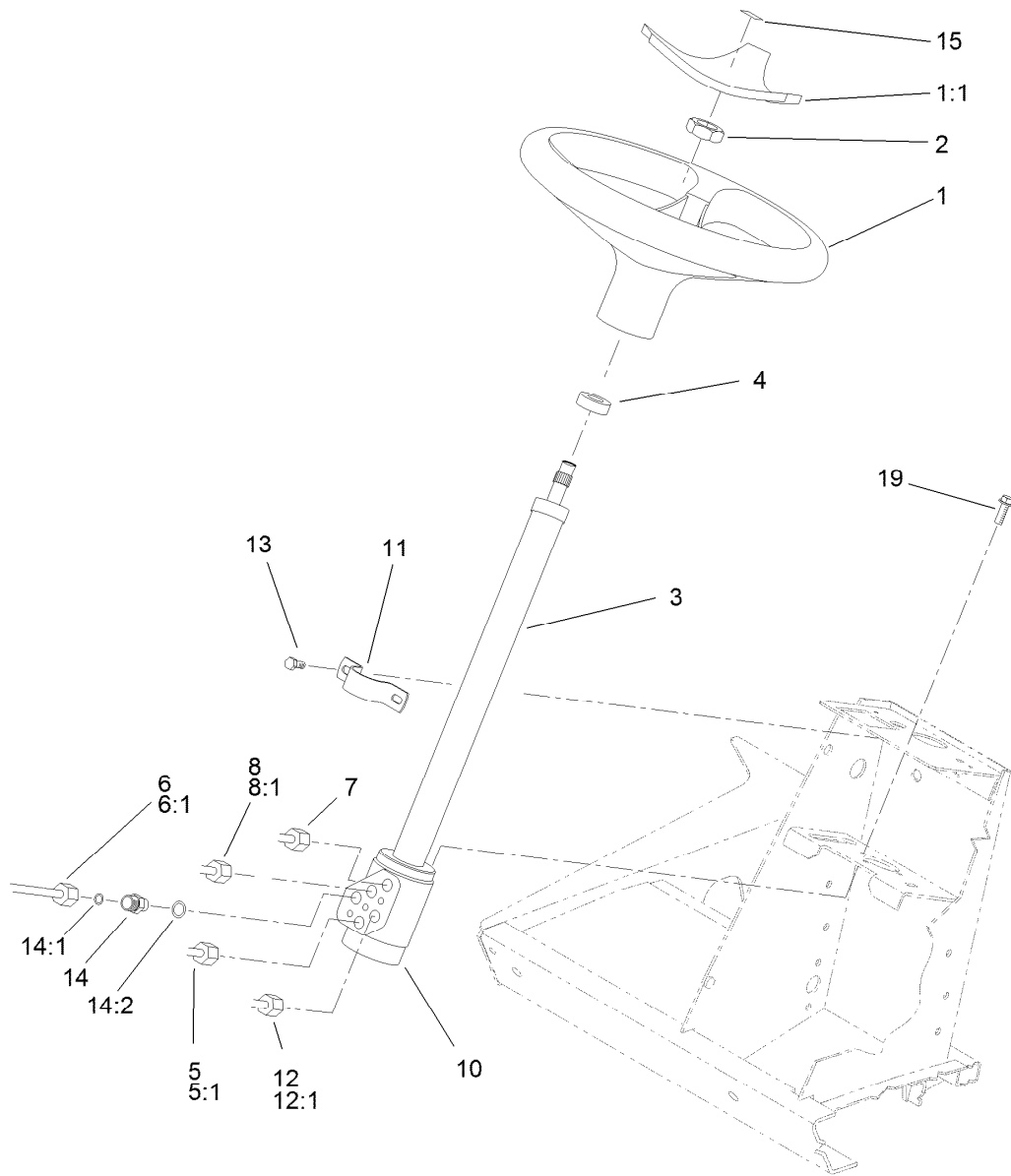
## Seat Suspension Assembly No. 110-9730

<i>Ref.</i>	<i>Part Number</i>	<i>Qty.</i>	<i>Description</i>
1	110-9737	1	Suspension-Seat
2	108-6704	4	Spacer-Suspension
3	108-6702	1	Adjuster-Seat, W/Handle
4	108-6703	1	Adjuster-Seat
5	75-3570	1	Tip-Vinyl
6	32128-25	4	Nut-HF
7	125-8784	1	Kit-Adjuster Knob, Tension



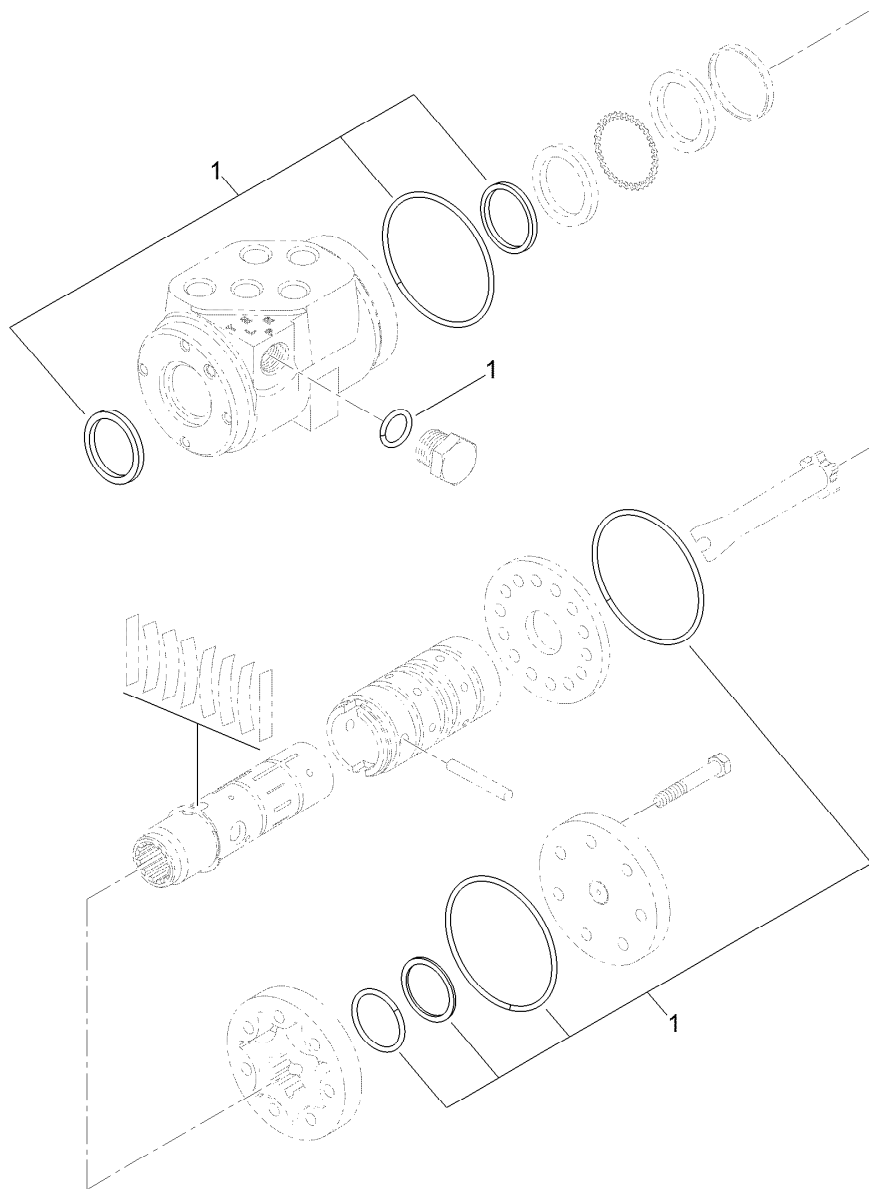
## Seat Frame and Throttle Assembly

Ref.	Part Number	Qty.	Description	Ref.	Part Number	Qty.	Description
1	75-3400	1	Shaft-Pivot, Seat	19	3296-39	1	Nut-Lock, NI
2	110-0453-03	1	Seat Plate ASM	20	115-8000	1	Decal-Solenoid Information, CE
3	3234-5	8	Screw-HHF	21	114-3976	1	Harness-Wire
4	92-5720	2	Controller	22	106-7789-03	1	Bracket-Controller
4:8	93-8053	1	Decal	23	49-2040	2	Screw-HWHTF
5	104-8300	4	Nut-HF, NI	24	52-5910	1	Ring-Retaining
6	105-0102	1	Cable-Throttle	25	98-2354-03	1	Latch-Seat
7	3272-10	1	Pin-Cotter	26	98-2353	2	Bracket-Latch, Seat
8	3256-24	3	Washer-Flat	27	32128-25	4	Nut-HF
9	98-2352-03	1	Frame-Seat	28	66-4190	1	Spring-Idler, Clutch
10	3290-467	1	Pin-Hair	31	2412-150	2	Clip-J
11	70-1480	1	Relay	32	3290-307	1	Pin-Cotter
12	32144-10	1	Screw-HWH	33	94-8146	1	Strip-Foam
13	3253-3	3	Washer-Lock	34	99-7435	1	Relay
14	321-36	3	Screw-HH	35	32144-11	1	Screw-HWH
15	66-2920	2	Washer-Friction	36	32148-6	1	Nut-Clinch
16	75-3690	1	Rod-Frame, Seat	37	32144-1	1	Screw-Taptite
17	93-7598	1	Lever-Throttle				
18	233-42	1	Knob				



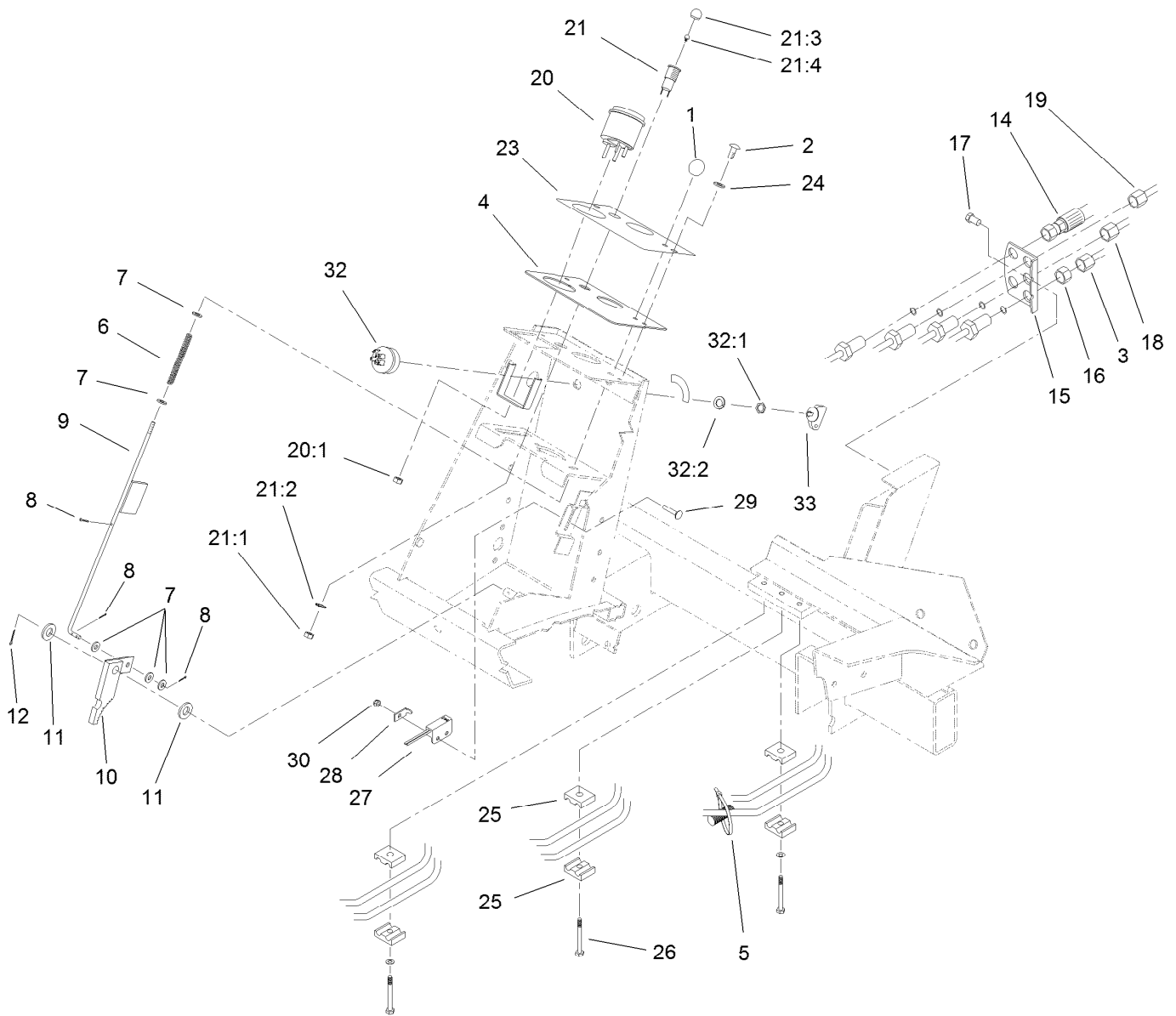
## Steering Wheel Assembly

<i>Ref.</i>	<i>Part Number</i>	<i>Qty.</i>	<i>Description</i>	<i>Ref.</i>	<i>Part Number</i>	<i>Qty.</i>	<i>Description</i>
1	98-1471	1	Wheel-Steering	8:1	237-22	1	O-Ring
1:1	98-1468	1	Cover-Wheel, Steering	10	130-7946	1	Valve-Steering, Control
2	107-2562	1	Nut-Hex	11	75-2810	1	Bracket-Column, Steering
3	94-9951	1	Column-Steering	12	94-3071	1	HYD Tube ASM
4	21-9260	1	Cover-Dust	12:1	237-22	1	O-Ring
5	94-3059	1	HYD Tube ASM	13	3234-7	2	Screw-HHF
5:1	237-22	1	O-Ring	14	340-2	5	Fitting-Straight
6	104-3733	1	Front In Straight Tube ASM	14:1	237-22	1	O-Ring
6:1	237-22	1	O-Ring	14:2	237-42	1	O-Ring
7	104-3737	1	Front Out Straight Tube ASM	15	98-1459	1	Decal
8	94-3060	1	HYD Tube ASM	19	33103-020	3	Screw-HHF



## Steering Valve Assembly No. 130-7946

<i>Ref.</i>	<i>Part Number</i>	<i>Qty.</i>	<i>Description</i>
1	130-8357	1	Seal Kit

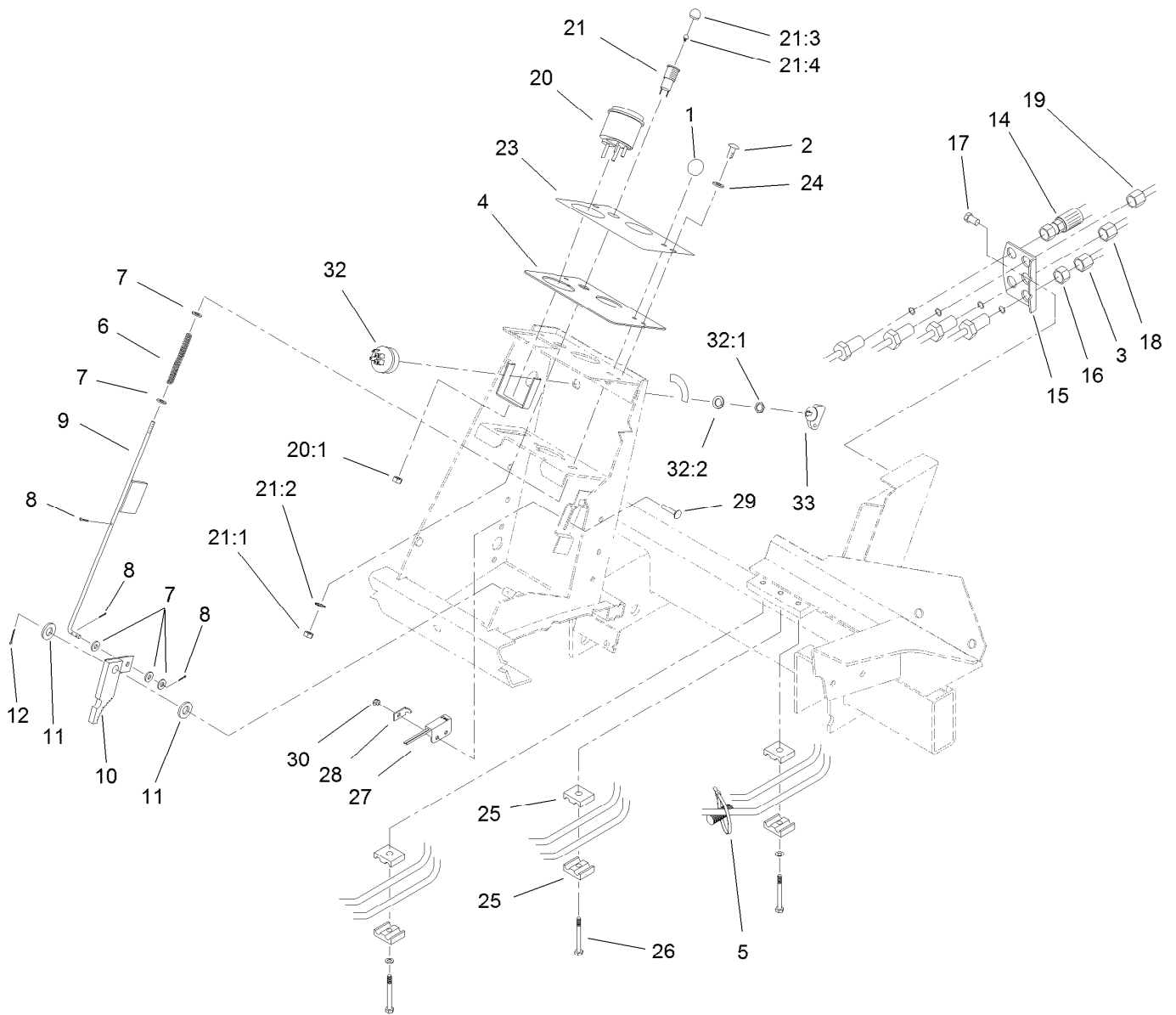


## Steering Tower Assembly

Ref.	Part Number	Qty.	Description	Ref.	Part Number	Qty.	Description
1	233-17	1	Knob	18:1	237-22	1	O-Ring ●
2	87-6620	2	Screw-Tph Thd Form	19	104-3746	1	Rear In Straight Tube ASM
3	104-3738	1	HYD Tube ASM	19:1	237-22	1	O-Ring ●
3:1	237-22	2	O-Ring ●	20	105-3304	1	Speedometer
4	93-7998-03	1	Plate-Instrument	20:1	3296-1	4	Nut-Lock
5	3290-379	1	Tie-Cable	21	44-2210	1	Light-Indicator, Red
6	95-1821-03	1	Spring-Compression	21:1	218-535	1	Nut-Hex
7	3256-22	5	Washer-Flat	21:2	218-536	1	Washer-Lock
8	3272-5	3	Pin-Cotter	21:3	218-533	1	Lens
9	104-1492	1	Rod ASM	21:4		1	Bulb ■
10	63-7900-03	1	Rack	23	93-1263	1	Decal-Tower
11	3256-26	2	Washer-Flat	24	3256-1	2	Washer-Flat
12	3272-10	1	Pin-Cotter	25	56-7973	6	Clamp-Tube
14	105-7926	1	Steering Hose ASM	26	115-1794	3	Screw-HHF
15	92-7606-03	1	Bracket-Bulkhead	27	100-1270	1	Switch-Proximity
16	340-70	4	Nut-Lock	28	100-4872	1	Plate-Switch, Neutral
17	32144-14	2	Screw-HWHTF	29	3229-34	1	Screw-CARR
18	104-3745	1	RH Rear Straight Tube ASM	30	3296-2	1	Nut-Lock, NI

● Not illustrated

■ Not serviced separately

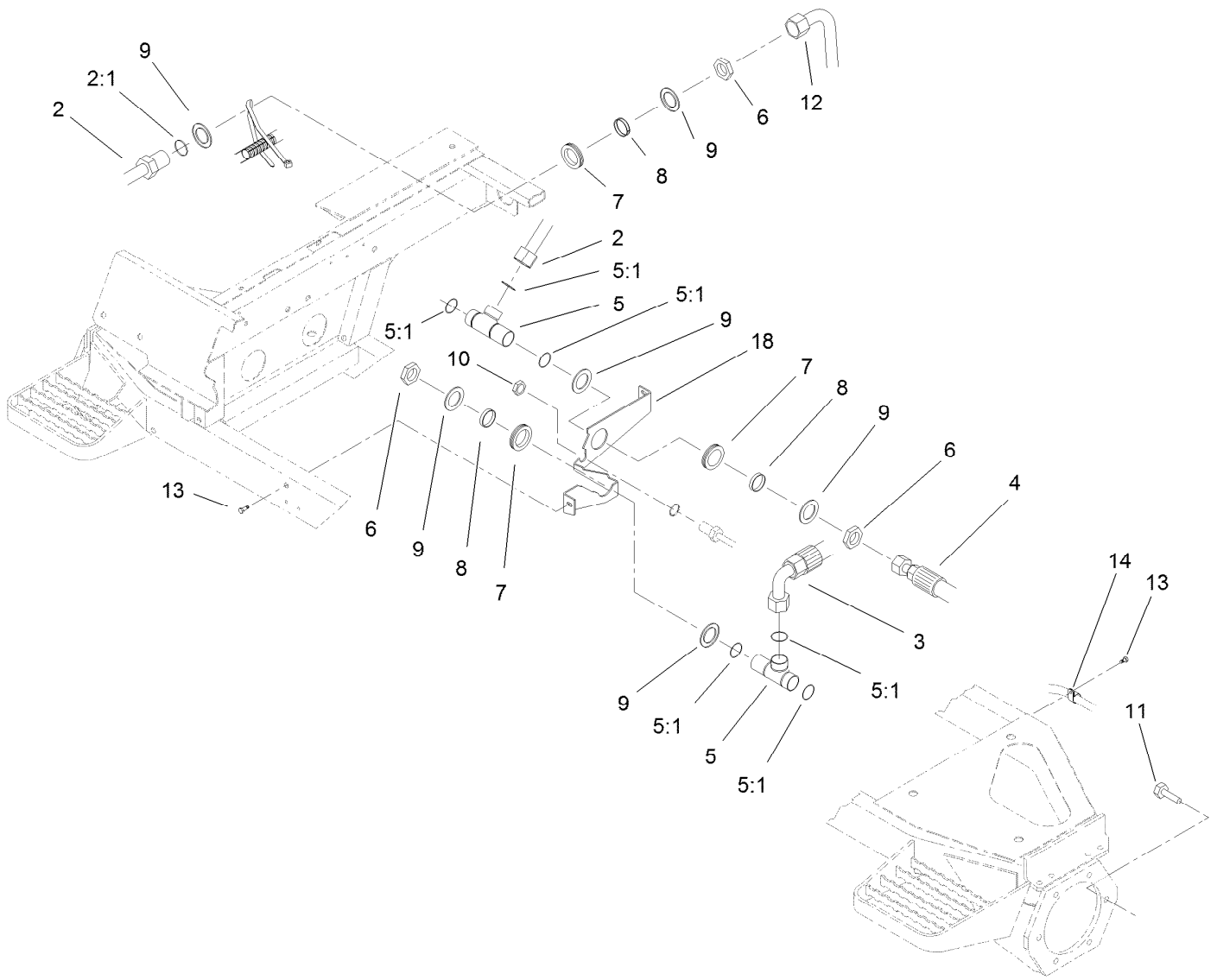


## Steering Tower Assembly (continued)

Ref.	Part Number	Qty.	Description	Ref.	Part Number	Qty.	Description
32	104-2541	1	Ignition Switch ASM	32:2	3254-5	1	Washer-Lock
32:1	218-461	1	Nut-HH	33	63-8360	2	Key-Ignition

● Not illustrated

■ Not serviced separately

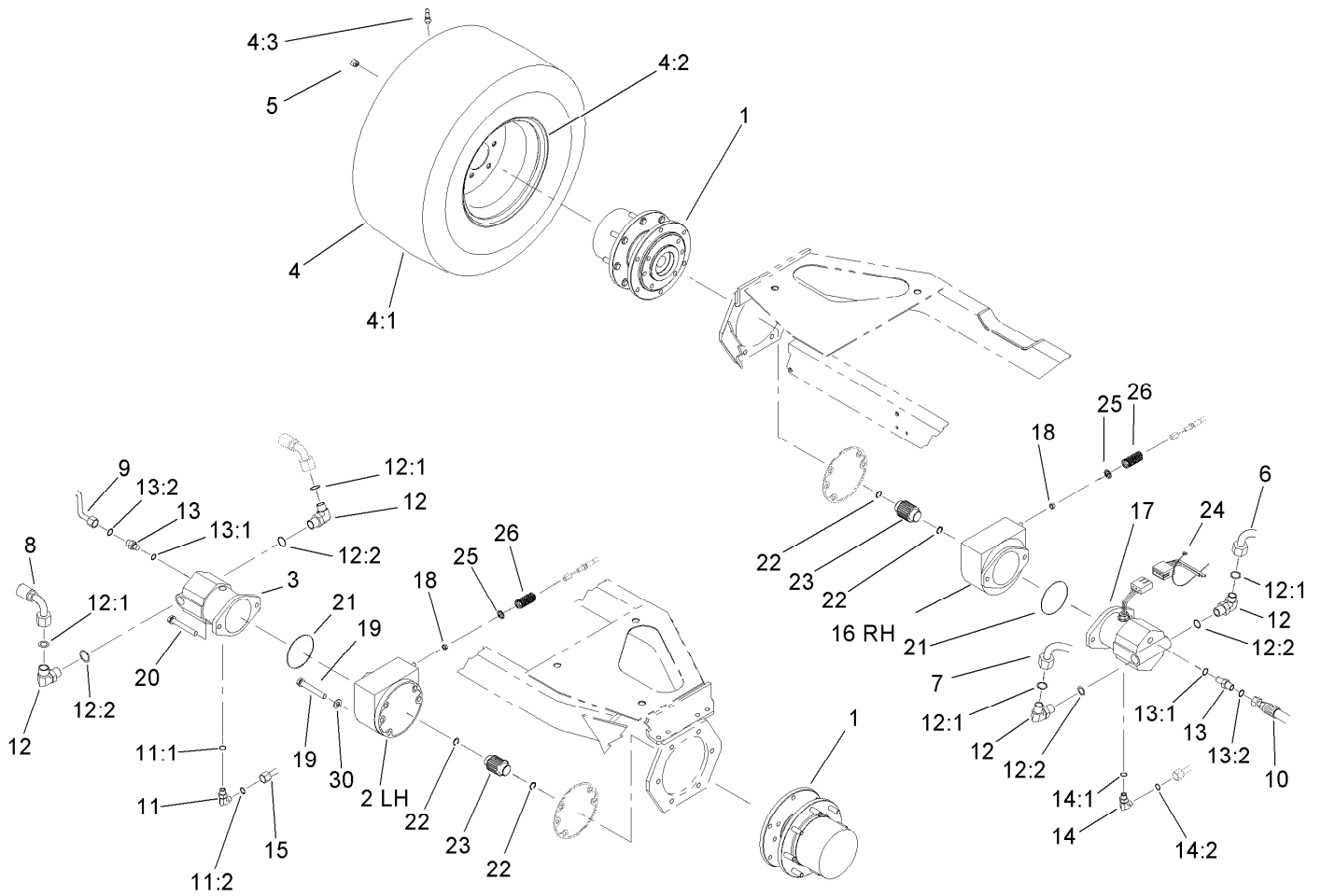


## Front Hydraulic Drive Assembly

Ref.	Part Number	Qty.	Description
2	104-3719	1	HYD Tube ASM
2:1	340-65	1	O-Ring
3	105-7922	1	Hyd Hose ASM
4	92-7486	1	HYD Hose ASM
5	92-7550	2	Fitting-Tee, Bulkhead
5:1	340-65	3	O-Ring
6	340-128	3	Nut-Bulkhead
7	240-2	3	Grommet-Rubber
8	69-8950	3	Spacer

Ref.	Part Number	Qty.	Description
9	69-8920	6	Washer
10	340-127	1	Nut-Bulkhead
11	33106-030	12	Screw-HHF
12	104-3736	1	HYD Tube ASM
12:1	237-58	1	O-Ring ●
13	32144-14	5	Screw-HWHTF
14	2412-93	2	Clamp-R
18	92-7455-03	1	Plate-Bulkhead

● Not illustrated

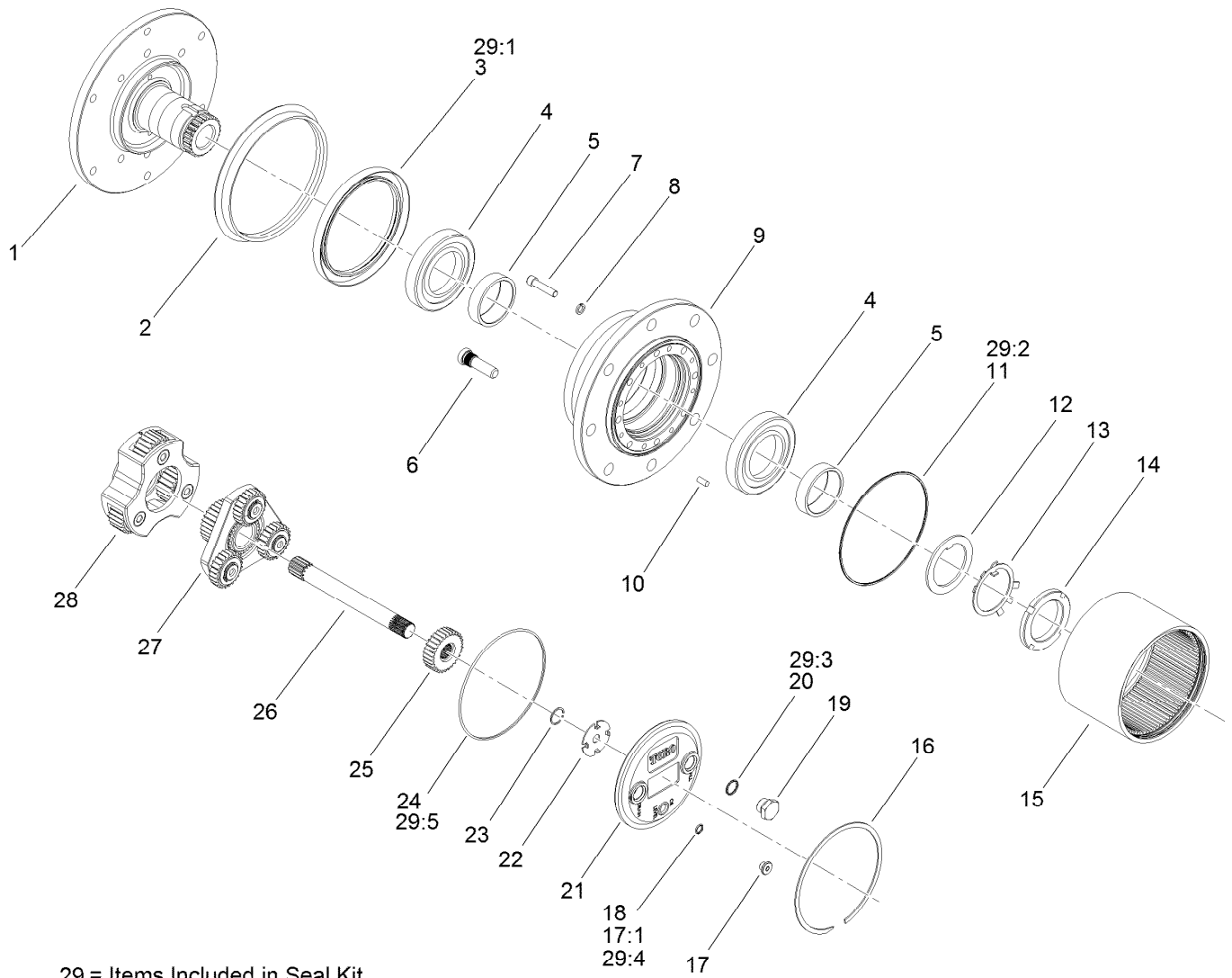


## Front Axle and Brake Assembly

Ref.	Part Number	Qty.	Description	Ref.	Part Number	Qty.	Description
1	136-2913	2	Planetary ASM	13:1	237-42	1	O-Ring
2	100-3070-03	1	Brake ASM	13:2	237-30	1	O-Ring
3	92-7385	1	HYD Motor ASM	14	340-98	1	Fitting-Elbow, 90 DEG
4		2	Wheel And Tire ASM ■	14:1	237-79	1	O-Ring
4:1	95-3465	1	Tire	14:2	237-30	1	O-Ring
4:2	115-8037	1	Wheel	15	92-7598	1	Front Drain Tube ASM
4:3	232-24	1	Stem-Valve	15:1	237-22	1	O-Ring ●
5	92-7483	16	Nut-Lug	16	100-3069-03	1	Brake ASM
6	92-7475	1	Traction Tube ASM	17	93-7476	1	HYD Motor ASM
7	92-7476	1	Traction Tube ASM	18	3218-4	2	Nut-Jam
8	92-7487	1	HYD Hose ASM	19	33106-080	8	Screw-HHF
9	92-7477	1	Motor Drain Tube ASM	20	33116-110	4	Screw-HH
10	92-7488	1	HYD Hose ASM	21	237-166	2	O-Ring
11	340-18	1	Fitting-HYD, 90 DEG	22	93-7972	4	Ring-Retaining, Internal
11:1	237-79	1	O-Ring	23	100-3046	2	Shaft-Brake, Splined
11:2	237-22	1	O-Ring	24	3290-378	2	Tie-Cable
12	340-142	4	Fitting-Elbow, 90 DEG	25	94-3050	2	Plate-Spring
12:1	237-58	1	O-Ring	26	94-3088	2	Spring-Compression
12:2	237-81	1	O-Ring	30	106-9888	4	Washer-Flat
13	340-5	2	Fitting-Straight				

● Not illustrated

■ Not serviced separately

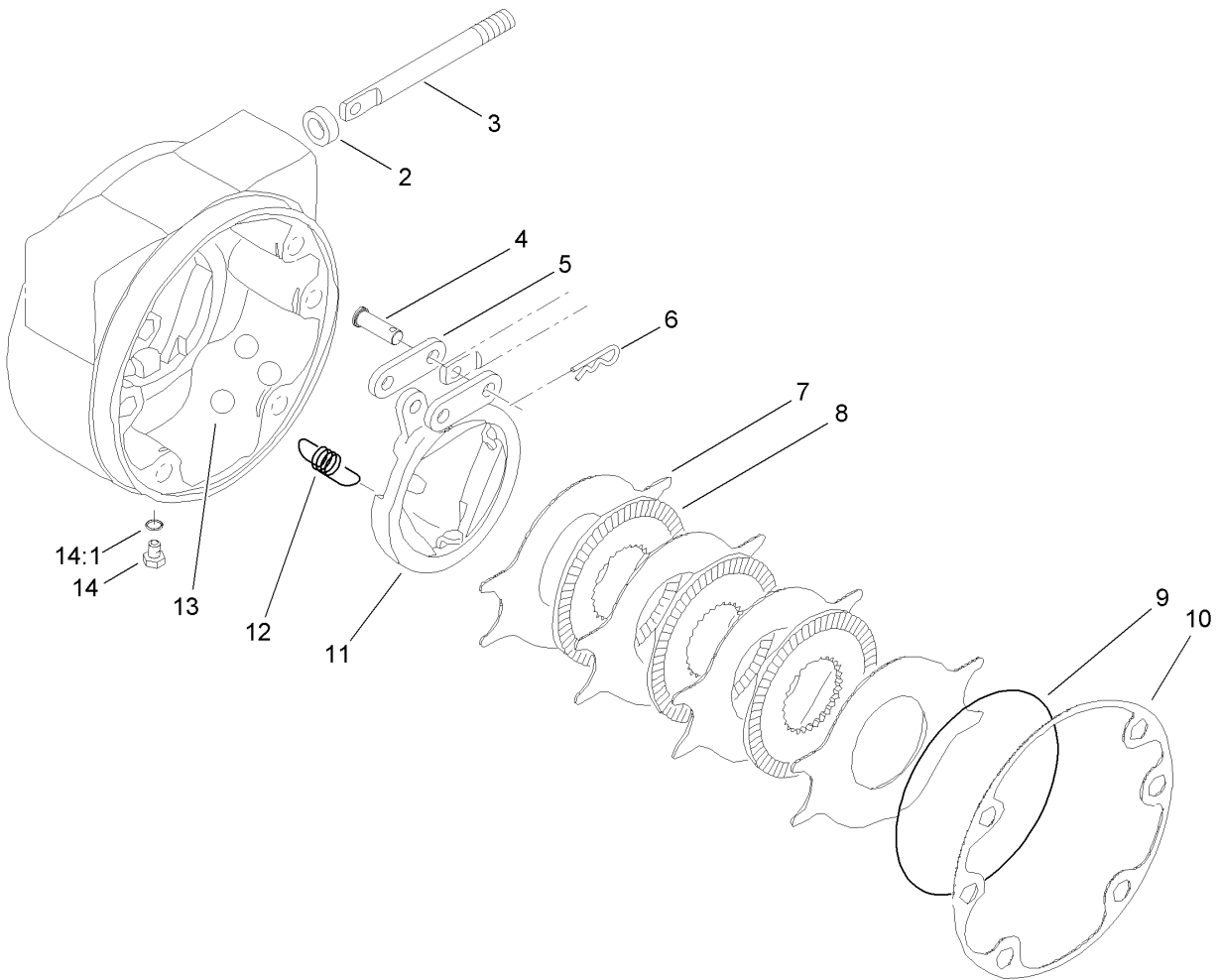


29 = Items Included in Seal Kit

## Planetary Assembly No. 136-2913

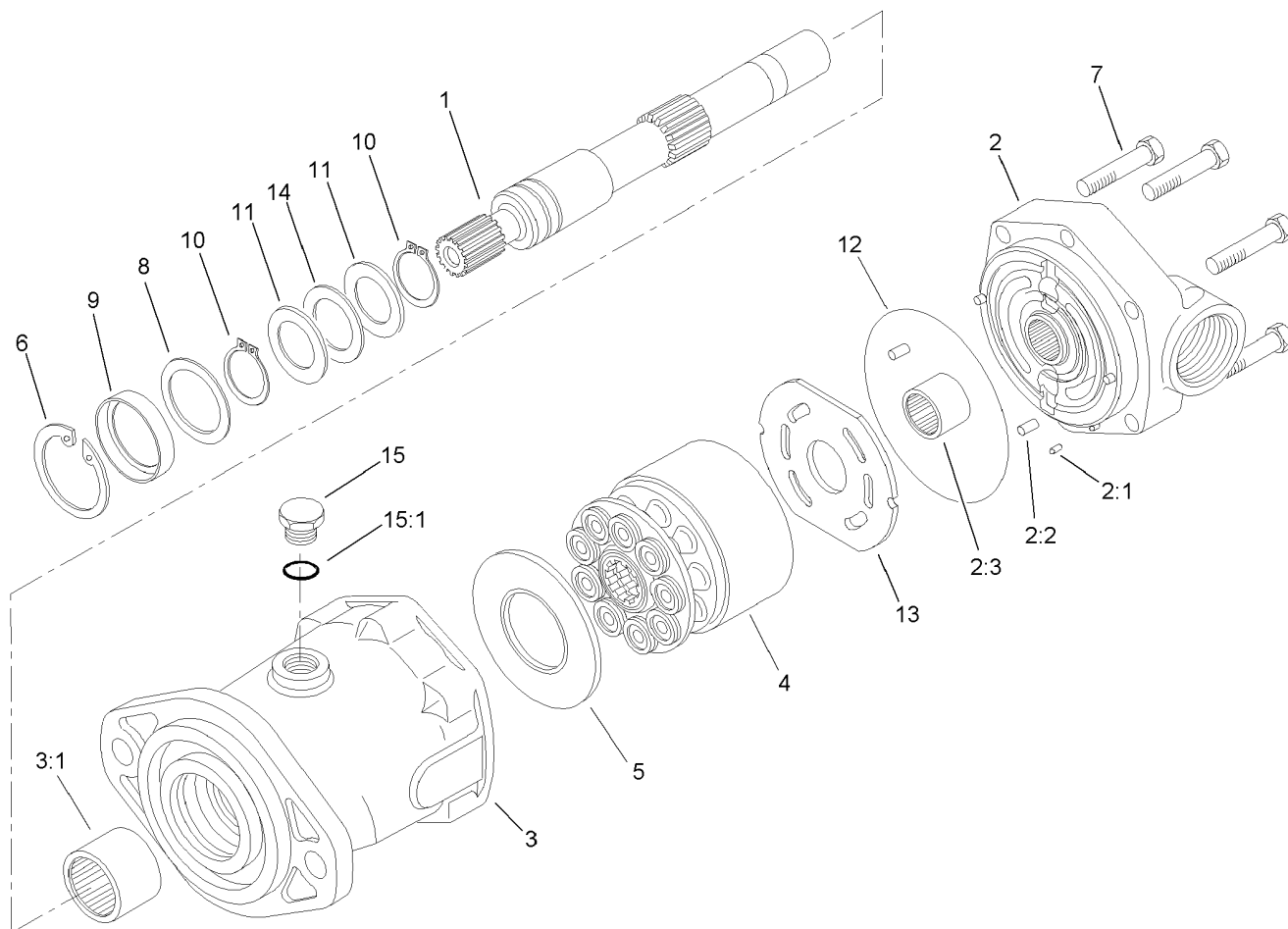
Ref.	Part Number	Qty.	Description	Ref.	Part Number	Qty.	Description
1		1	Spindle ●	18	237-78	1	O-Ring
2	138-1204	1	Seal-Boot	19	138-1211	2	Plug-Flange, Magnetic
3		1	Seal-Lip ●	20	138-1212	2	O-Ring
4	138-1205	2	Bearing-Cup	21	138-1213	1	Cap-End
5	138-1206	2	Bearing-Cone	22	138-1214	1	Washer-Thrust, Sun
6	105-8124	8	Stud-Wheel	23	105-8131	2	Ring-Retaining
7	138-1207	8	Screw-Socket Head	24		1	O-Ring ●
8	138-1208	8	Washer-Lock	25	138-1215	1	Gear-Primary, Sun
9		1	Housing ●	26	138-1216	1	Shaft-Drive
10	105-8121	4	Pin-Dowel	27	138-1217	1	Primary Carrier ASM
11		1	O-Ring ●	28	138-1218	1	Secondary Carrier ASM
12	138-6928	1	Spacer	29	138-1219	1	Seal Kit
13	138-6929	1	Washer	29:1		1	Seal-Lip ●
14	138-6930	1	Nut-Lock	29:2		1	O-Ring ●
15	138-1209	1	Gear-Ring	29:3		1	O-Ring ●
16	138-1210	1	Ring-Snap	29:4		1	O-Ring ●
17	353-990	1	Plug ASM	29:5		1	O-Ring ●
17:1	237-78	1	O-Ring				

● Not serviced separately



## Brake Assembly No. 100-3070-03

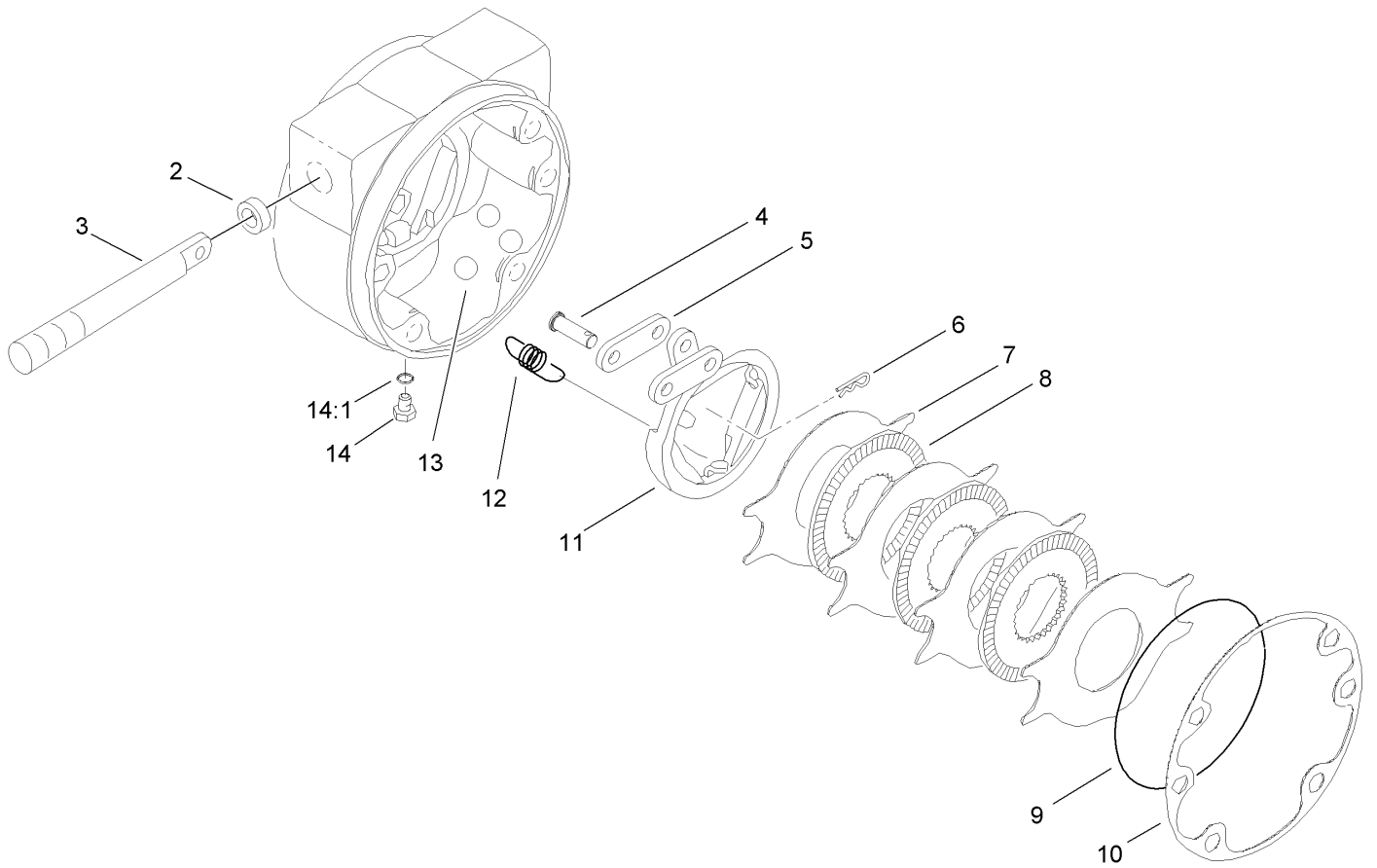
<i>Ref.</i>	<i>Part Number</i>	<i>Qty.</i>	<i>Description</i>
2	93-7977	1	Seal
3	93-7978	1	Rod-Pull
4	93-7983	2	Pin-Clevis
5	93-7980	2	Link
6	93-7979	2	Pin-Hitch
7	93-7986	4	Disc-Stationary
8	104-4278	3	Disc-Rotating
9	93-7976	1	Ring-Retaining
10	93-7984	1	Gasket
11	104-4279	1	Actuator-Rotating
12	93-7987	3	Spring-Extension
13	93-7985	3	Ball
14	353-990	2	Plug ASM
14:1	237-78	1	O-Ring



## Hydraulic Motor Assembly No. 92-7385

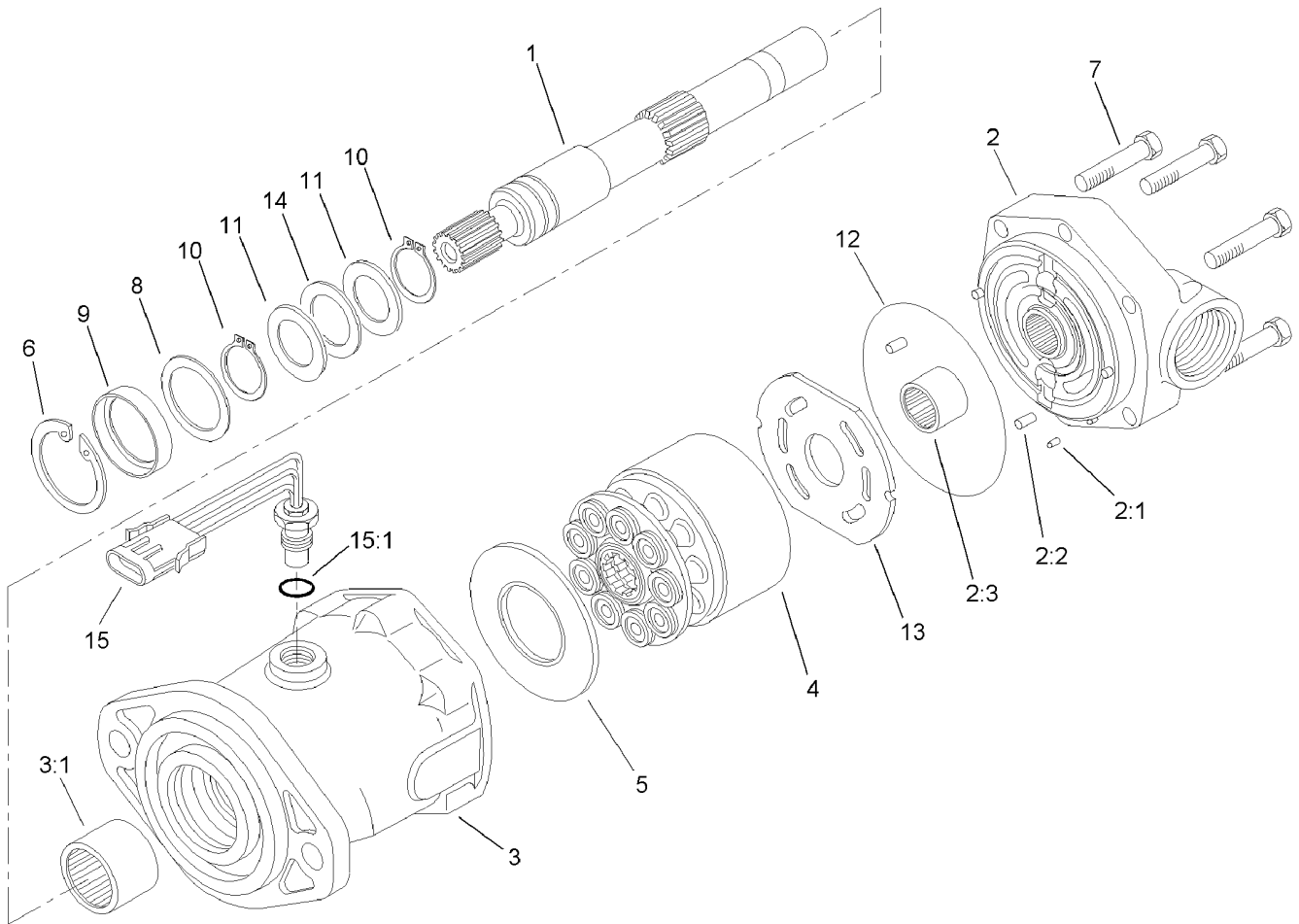
Ref.	Part Number	Qty.	Description
1	94-3004	1	Shaft-Drive, Splined
2	94-3005	1	Backplate ASM
2:1		1	Pin-Dowel ●
2:2		3	Pin-Dowel ●
2:3		1	Bearing-Needle ●
3	94-3006	1	Housing ASM
3:1		1	Bearing-Needle ●
4	76-6910	1	Rotating Kit
5	76-6970	1	Insert-Plate, Cam
6	76-7010	1	Ring-Retaining
7	94-3002	6	Screw-Cap
8	60-6240	1	Washer
9	105-3331	1	Seal-Shaft
10	76-7000	2	Ring-Retaining
11	76-6950	2	Race-Thrust
12	76-6980	1	O-Ring
13	94-3003	1	Plate-Valve
14	76-6960	1	Bearing-Thrust
15	94-3009	1	Plug
15:1		1	O-Ring ●

● Not serviced separately



## Brake Assembly No. 100-3069-03

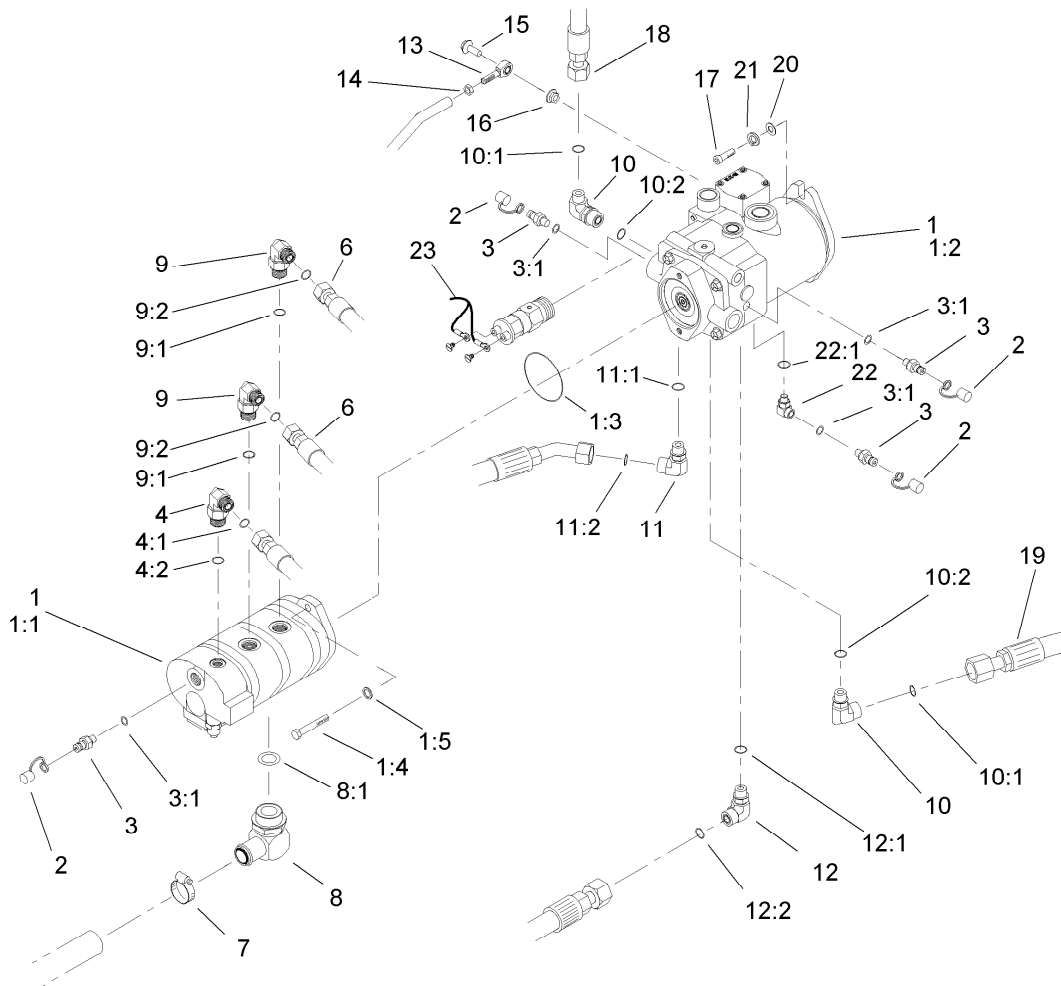
<i>Ref.</i>	<i>Part Number</i>	<i>Qty.</i>	<i>Description</i>
2	93-7977	1	Seal
3	93-7978	1	Rod-Pull
4	93-7983	2	Pin-Clevis
5	93-7980	2	Link
6	93-7979	2	Pin-Hitch
7	93-7986	4	Disc-Stationary
8	104-4278	3	Disc-Rotating
9	93-7976	1	Ring-Retaining
10	93-7984	1	Gasket
11	104-4280	1	Actuator-Rotating
12	93-7987	3	Spring-Extension
13	93-7985	3	Ball
14	353-990	2	Plug ASM
14:1	237-78	1	O-Ring



## Hydraulic Motor Assembly No. 93-7476

Ref.	Part Number	Qty.	Description
1	94-3004	1	Shaft-Drive, Splined
2	94-3005	1	Backplate ASM
2:1		1	Pin-Dowel ●
2:2		3	Pin-Dowel ●
2:3		1	Bearing-Needle ●
3	94-3006	1	Housing ASM
3:1		1	Bearing-Needle ●
4	76-6910	1	Rotating Kit
5	76-6970	1	Insert-Plate, Cam
6	76-7010	1	Ring-Retaining
7	94-3002	6	Screw-Cap
8	60-6240	1	Washer
9	105-3331	1	Seal-Shaft
10	76-7000	2	Ring-Retaining
11	76-6950	2	Race-Thrust
12	76-6980	1	O-Ring
13	94-3003	1	Plate-Valve
14	76-6960	1	Bearing-Thrust
15	94-3010	1	Sensor-Speed, Pickup
15:1		1	O-Ring ●

● Not serviced separately

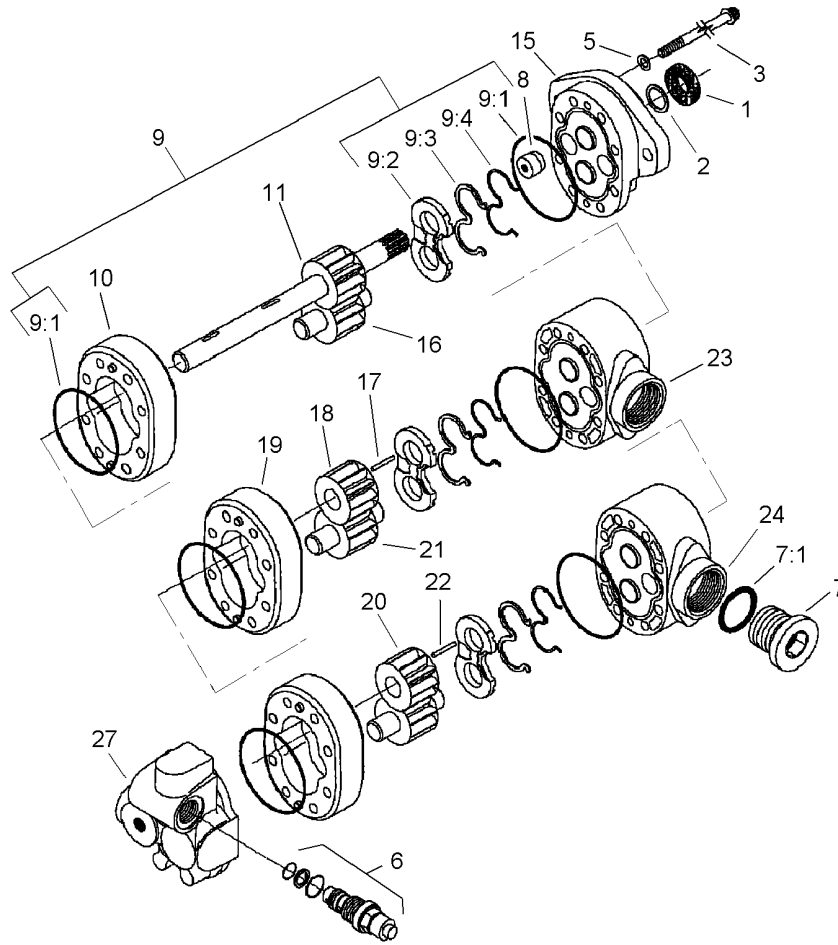


## Hydraulic Pump Installation Assembly

Ref.	Part Number	Qty.	Description
1		1	Tandem Pump ASM ●
1:1	115-8031	1	Pump-Gear
1:2	110-0006	1	Pump-Piston
1:3	60-3520	1	O-Ring
1:4	323-7	2	Screw-HH
1:5	105-9762	2	Washer
2	354-79	4	Cap-Dust
3	354-77	4	Fitting-Quick
3:1	237-78	1	O-Ring
4	340-77	1	Fitting-Elbow, 90 DEG
4:1	237-22	1	O-Ring
4:2	237-42	1	O-Ring
6	105-7927	2	Hose-HYD
7	2412-111	1	Clamp-Hose, W/Liner
8	92-7526	1	Fitting-HYD 90 Spcl
8:1	237-101	1	O-Ring
9	340-105	2	Fitting-Elbow, 90 DEG
9:1	237-80	1	O-Ring
9:2	237-30	1	O-Ring
10	340-15	2	Fitting-Elbow 90

Ref.	Part Number	Qty.	Description
10:1	237-58	1	O-Ring
10:2	237-146	1	O-Ring
11	104-3796	1	Fitting-Elbow 90
11:1	237-81	1	O-Ring
11:2	340-65	1	O-Ring
12	340-129	1	Fitting-Elbow, 90 DEG
12:1	237-146	1	O-Ring
12:2	340-65	1	O-Ring
13	2411-36	1	Bearing-End, Rod
14	3220-3	1	Nut-HJ
15	3234-11	1	Screw-HHF
16	3296-59	1	Nut-Lock, NI
17	325-6	2	Screw-HH
18	104-3789	1	Filter Hose ASM
19	105-7920	1	HYD Hose ASM
20	87-7270	2	Washer-Thrust
21	3253-7	2	Washer-Lock
22	75-6640	1	Fitting-HYD, Special
22:1	237-78	1	O-Ring
23	105-0122	1	Harness-Wire

● Not serviced separately

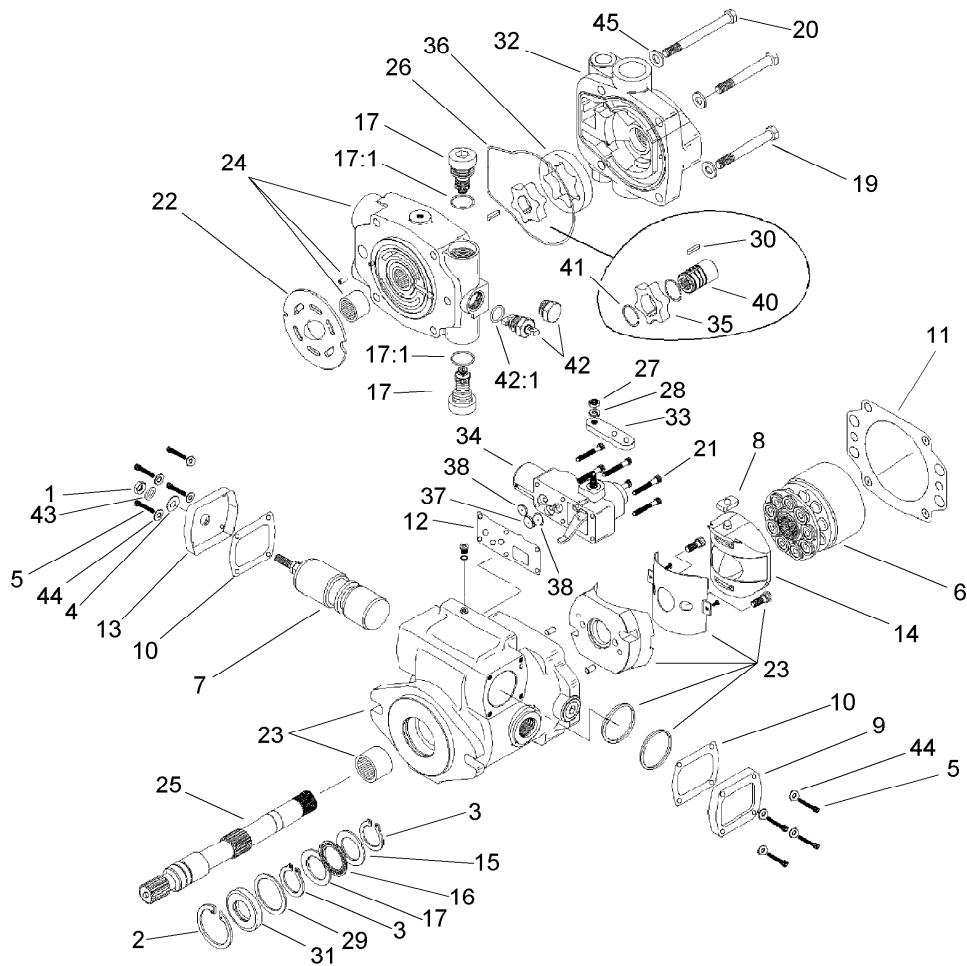


## Gear Pump Assembly No. 115-8031

<i>Ref.</i>	<i>Part Number</i>	<i>Qty.</i>	<i>Description</i>	<i>Ref.</i>	<i>Part Number</i>	<i>Qty.</i>	<i>Description</i>
1	49-2640	1	Seal-Shaft	11		1	Drive Gear ASM ■
2	60-5890	1	Washer	15		1	Front Plate ASM ■
3	105-2898	8	Screw-Cap	16		1	Gear-Idler ■
5	74-8920	4	Washer-Copper	17		1	Key ■
6	115-8032	1	Relief Valve	18		1	Gear ■
7	94-3013	1	Plug	19		1	Body ■
7:1		1	O-Ring ■	20		1	Gear ■
8	94-3011	1	Plug	21		1	Gear-Idler ■
9	94-3015	1	Seal Kit	22		1	Key ■
9:1		3	Gasket-Back Up ■	23		1	Plate-Adaptor ■
9:2		3	Seal-Balance ■	24		1	Plate-Adaptor ■
9:3	49-2640	1	Seal-Shaft	27		1	Body ■
9:4	60-5890	1	Washer	99	107-4328	1	Front Plate Kit ●
10		1	Body ■				

● Not illustrated

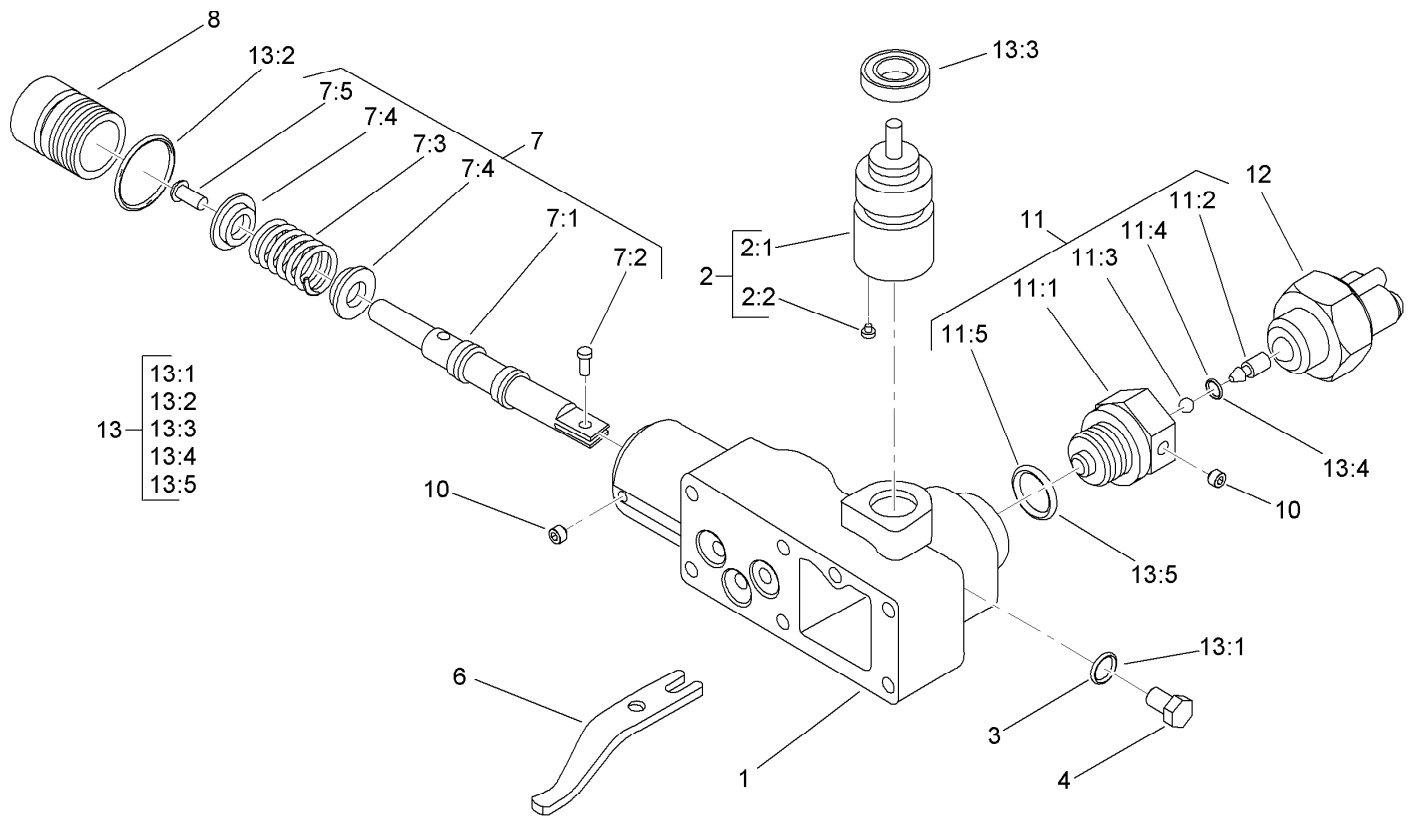
■ Not serviced separately



## Piston Pump Assembly No. 110-0006

Ref.	Part Number	Qty.	Description	Ref.	Part Number	Qty.	Description
1	3220-2	1	Nut-Jam	24	105-8149	1	Endcover ASM
2	60-6260	1	Ring	25	94-3020	1	Shaft-Drive
3	76-7000	2	Ring-Retaining	26	105-2905	1	O-Ring
4	94-3027	1	Washer-Seal	27	3217-5	1	Nut-Hex
5	93-6337	8	Screw	28	3253-3	1	Washer-Lock
6	99-8701	1	Rotating Kit	29	60-6240	1	Washer
7	105-4572	1	Servo Piston ASM	30	107-4442	1	Key
8	94-3032	1	Follower-Piston	31	105-3331	1	Seal-Shaft
9	94-3033	1	Plate-Cover	32	105-2907	1	Charge Pump Adapter ASM
10	93-6339	2	Gasket	33	110-0036	1	Arm-Control
11	105-2900	1	Gasket-Housing	34	108-1503	1	Manual Servo Control ASM
12	105-2901	1	Gasket-Housing, Control	35	107-4443	1	Gerotor, Inner Ring
13	105-9853	1	Plate-Cover	36	99-8707	1	Gerotor-Outer
14	94-3026	1	Camplate ASM	37	105-2909	1	Orifice-Control, .036 DIA
15	76-6950	2	Race-Thrust	38	105-2910	2	Orifice-Valve, Control
16	76-6960	1	Bearing-Thrust	40	107-4444	1	Coupler
17	105-2858	2	Valve-Relief	41	105-2912	2	Ring-Retaining
17:1		1	O-Ring ●	42	105-2913	1	Valve-Bypass
19	323-15	2	Screw-HH	42:1		1	O-Ring ●
20	323-16	2	Screw-HH	43	94-3030	1	Washer
21	93-6324	6	Screw	44	93-6336	8	Washer
22	105-2902	1	Plate-Valve	45	3256-24	4	Washer-Flat
23	105-2903	1	Housing				

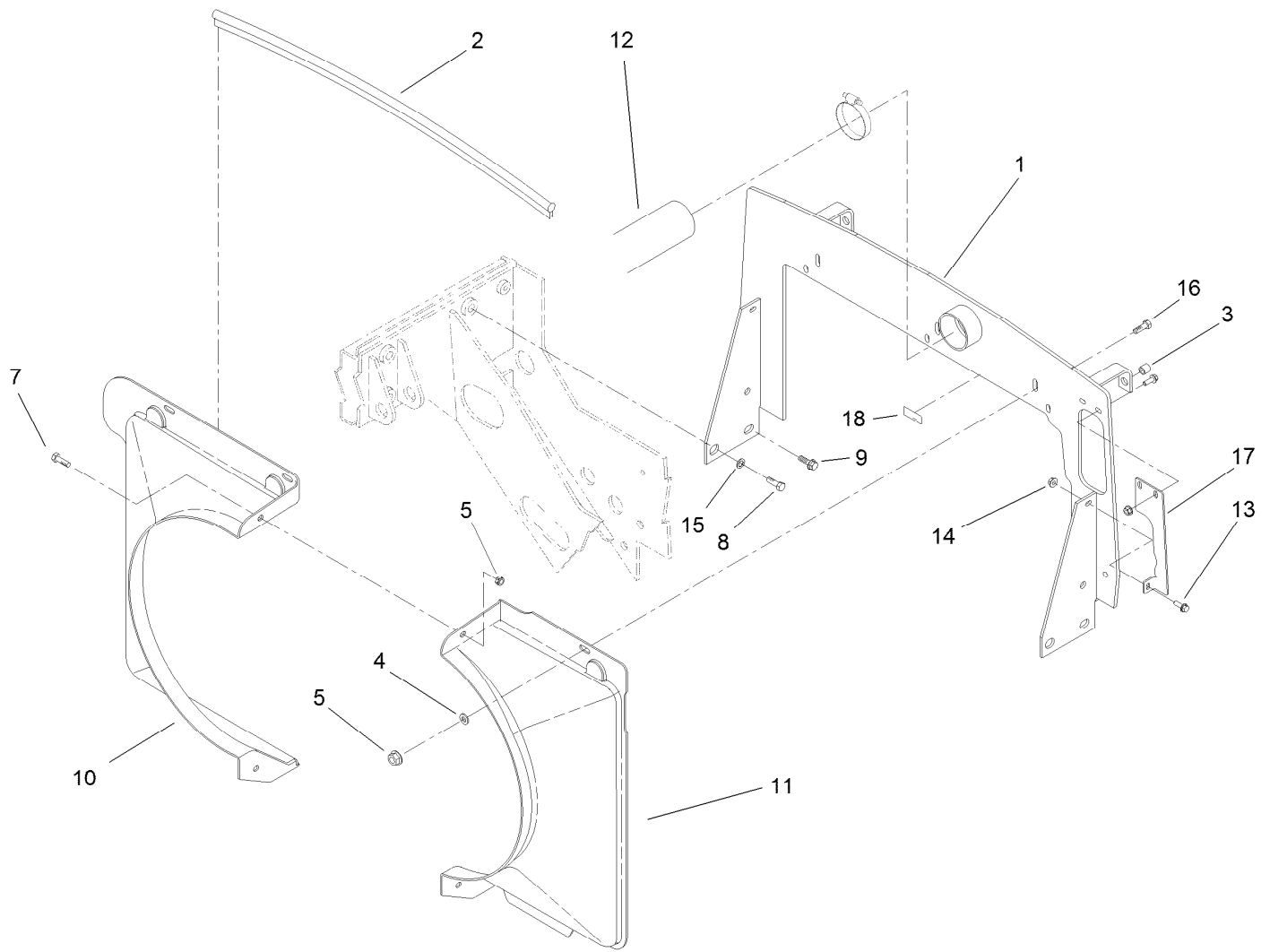
● Not serviced separately



## Control Assembly No. 108-1503

Ref.	Part Number	Qty.	Description	Ref.	Part Number	Qty.	Description
1		1	Housing-Control ●	10		2	Screw-Set ●
2	108-7099	1	Input Control Shaft ASM	11	108-8003	1	Adaptor ASM
2:1		1	Shaft ●	11:1		1	Adaptor-Lockout, Neutral ●
2:2		1	Pin ●	11:2		1	Pin ●
3		1	O-Ring ●	11:3		1	Ball ●
4		1	Plug ●	11:4		1	O-Ring ●
6		1	Link-Feedback ●	11:5		1	O-Ring ●
7	108-7098	1	Valve Spool ASM	12	94-3043	1	Switch-Safety, Neutral
7:1		1	Valve-Spool ●	13	94-3044	1	Seal Kit
7:2		1	Pin-Dowel ●	13:1	117-8979	1	Seal-Shaft
7:3		1	Spring ●	13:2	105-2901	1	Gasket-Housing, Control
7:4		2	Retainer ●	13:3		1	O-Ring ●
7:5		1	Screw ●	13:4		1	O-Ring ●
8		1	Plug ●	13:5		1	Seal-Wiper ●

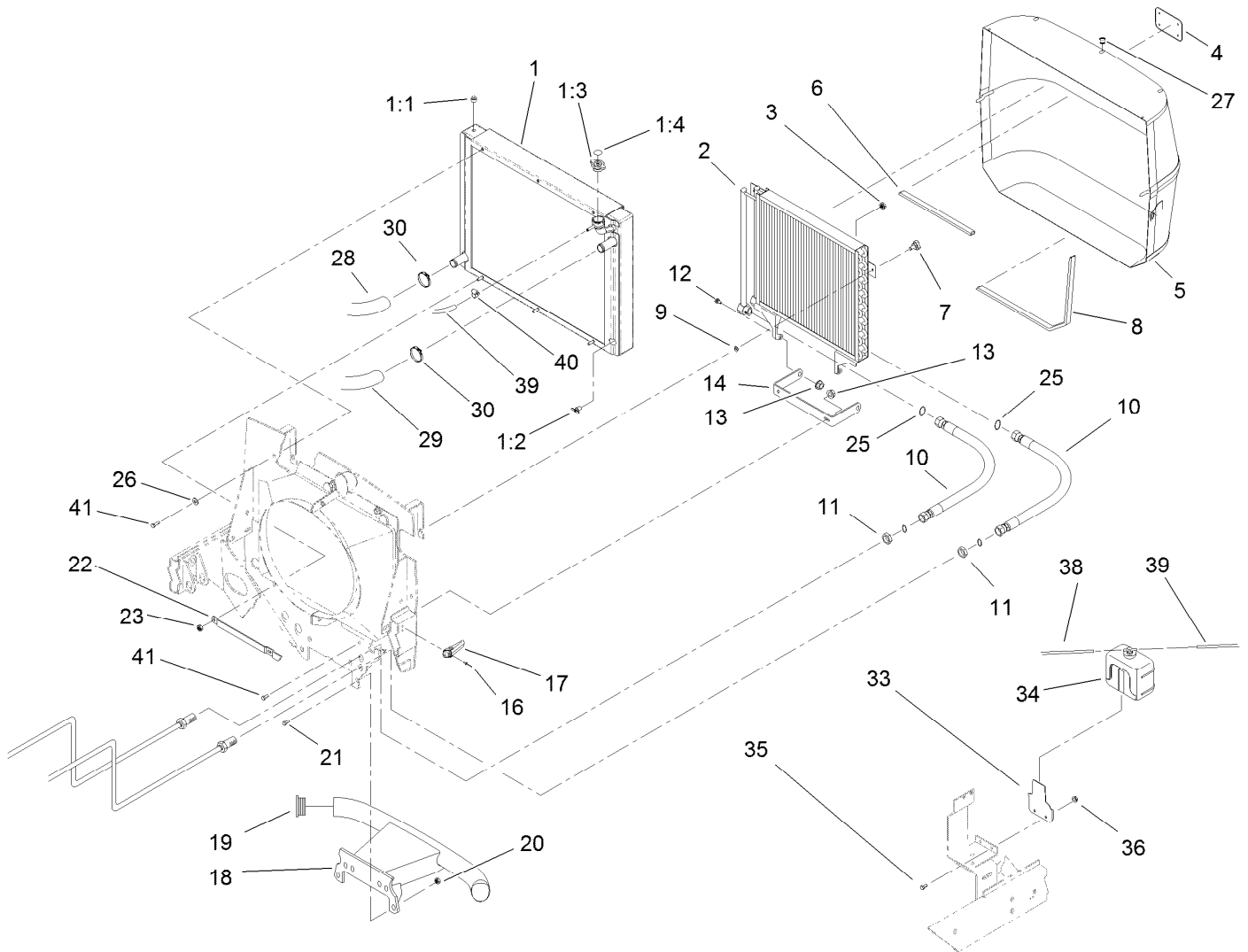
● Not serviced separately



## Radiator Support and Shroud Assembly

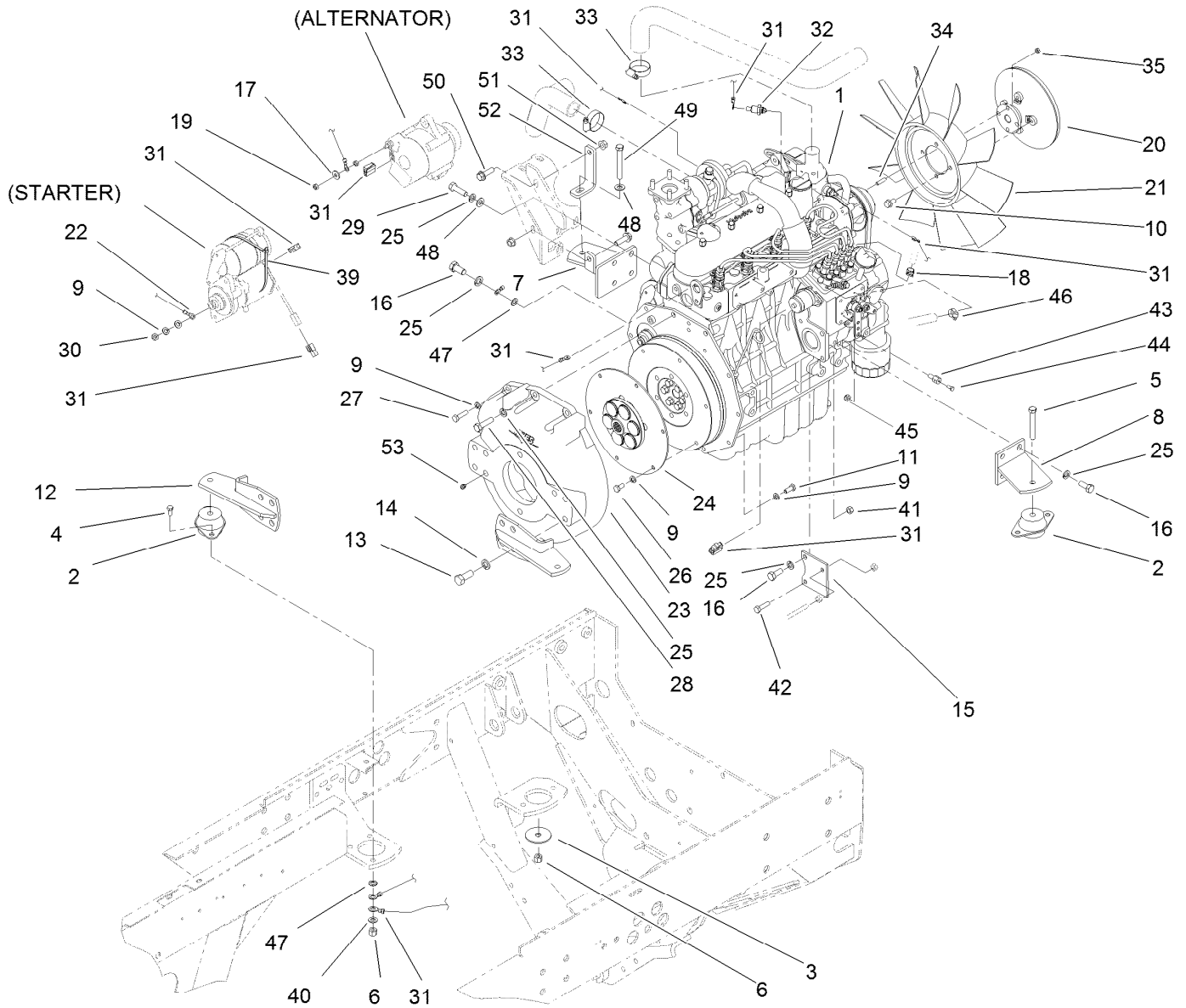
<i>Ref.</i>	<i>Part Number</i>	<i>Qty.</i>	<i>Description</i>
1	114-3965-03	1	Radiator Support ASM
2	93-7553	1	Seal-Hood
3	32148-10	2	Nut-Clinch
4	3256-56	3	Washer-Flat
5	32128-20	5	Nut-HF
7	3234-5	2	Screw-HHF
8	327-2	2	Screw-HH
9	3234-1	2	Screw-HHF
10	105-0104	1	Shroud-Fan, RH

<i>Ref.</i>	<i>Part Number</i>	<i>Qty.</i>	<i>Description</i>
11	105-0103	1	Shroud-Fan, LH
12	104-5209	1	Hose-Cleaner, Air
13	3234-4	3	Screw-HHF
14	32128-33	3	Nut-HF
15	3256-27	2	Washer-Flat
16	3230-2	3	Bolt-CARR
17	114-3951-03	1	Plate-Cover
18	93-6681	1	Decal-Warning, Fan



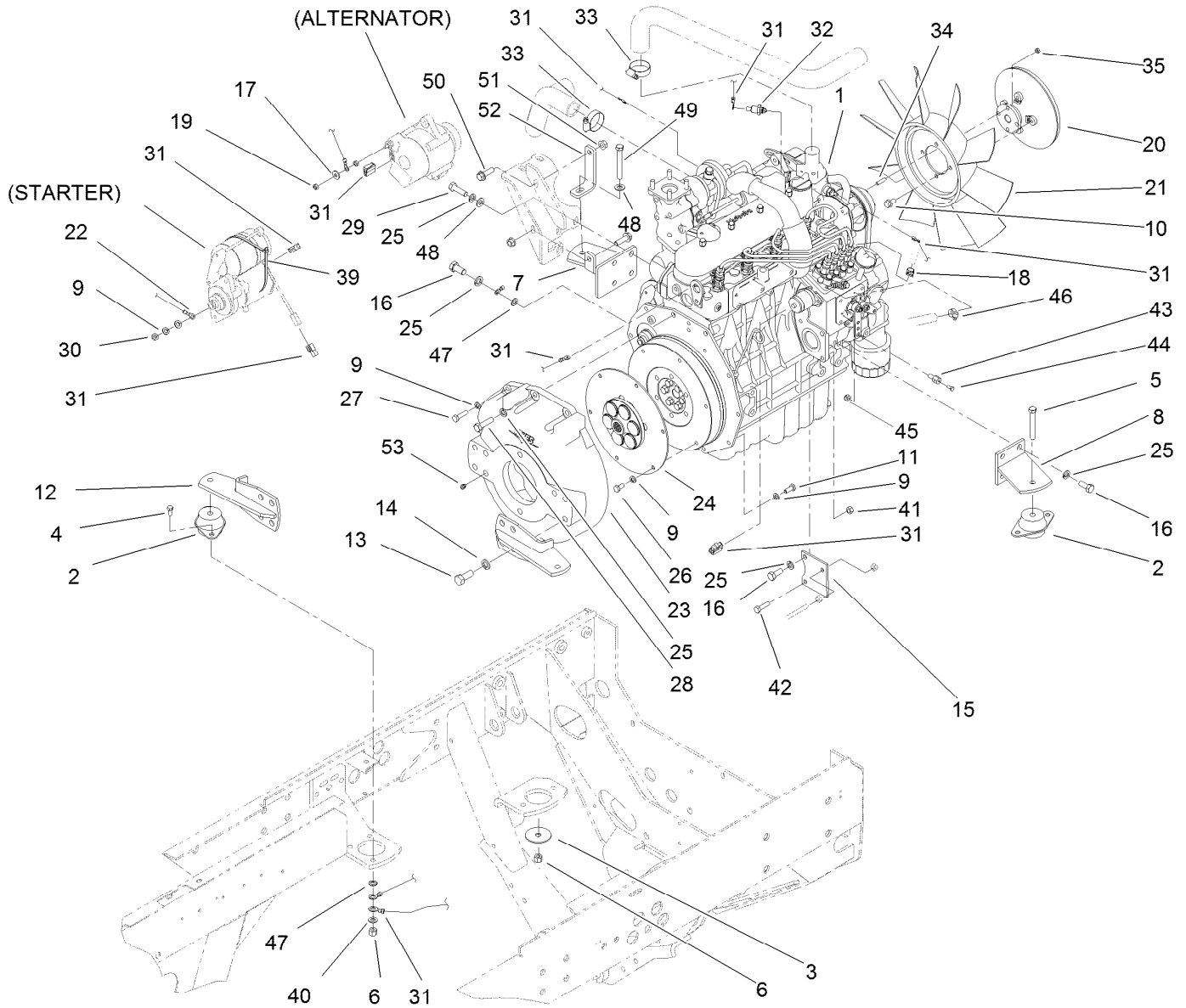
## Radiator and Screen Assembly

Ref.	Part Number	Qty.	Description	Ref.	Part Number	Qty.	Description
1	117-8093	1	Radiator ASM	18	110-0037-03	1	Rear Bumper ASM
1:1	281-13	1	Plug-Pipe	19	2410-42	4	Cap-End
1:2	304-46	1	Draincock	20	3296-23	4	Nut-Lock, NI
1:3	93-5957	1	Cap-Radiator	21	325-6	4	Screw-HH
1:4	106-6755	1	Decal-Cap, Radiator	22	92-7416-03	1	Strap-Radiator
2	114-3995	1	Oil Cooler ASM	23	3296-29	3	Nut-Lock, NI
3	94-2638	4	Nut-Flat	25	237-65	2	O-Ring
4	93-6028	1	Plate-Logo	26	3256-23	3	Washer-Plain
5	92-7505-03	1	Screen ASM	27	2410-64	3	Plug-Button
6	92-7631	1	Seal-Screen	28	104-3781	1	Hose-Radiator, Lower
7	77-3620	2	Knob-Retainer	29	104-3782	1	Hose-Radiator, Upper
8	93-4208	1	Seal-Screen, Strip	30	2412-34	2	Clamp-Hose
9	32151-72	2	Ring-Retaining	33	98-4576-03	1	Bracket-Reservoir, Water
10	92-7535	2	Hose ASM	34	104-9318	1	Bottle-Overflow
11	340-74	2	Nut-Lock, Bulkhead	35	321-4	2	Screw-HH
12	37-8771	2	Bolt-Shoulder, HF	36	3296-42	2	Nut-Lock, NI
13	32128-20	4	Nut-HF	38	98-7895	1	Tube
14	92-7516-03	1	Bracket-Support, Cooler Base	39	110-4110	1	Hose-LP
16	3269-4	4	Rivet-Pop	40	92-2379	2	Clamp-Hose
17	105-9296	2	Latch-Draw	41	3234-5	5	Screw-HHF



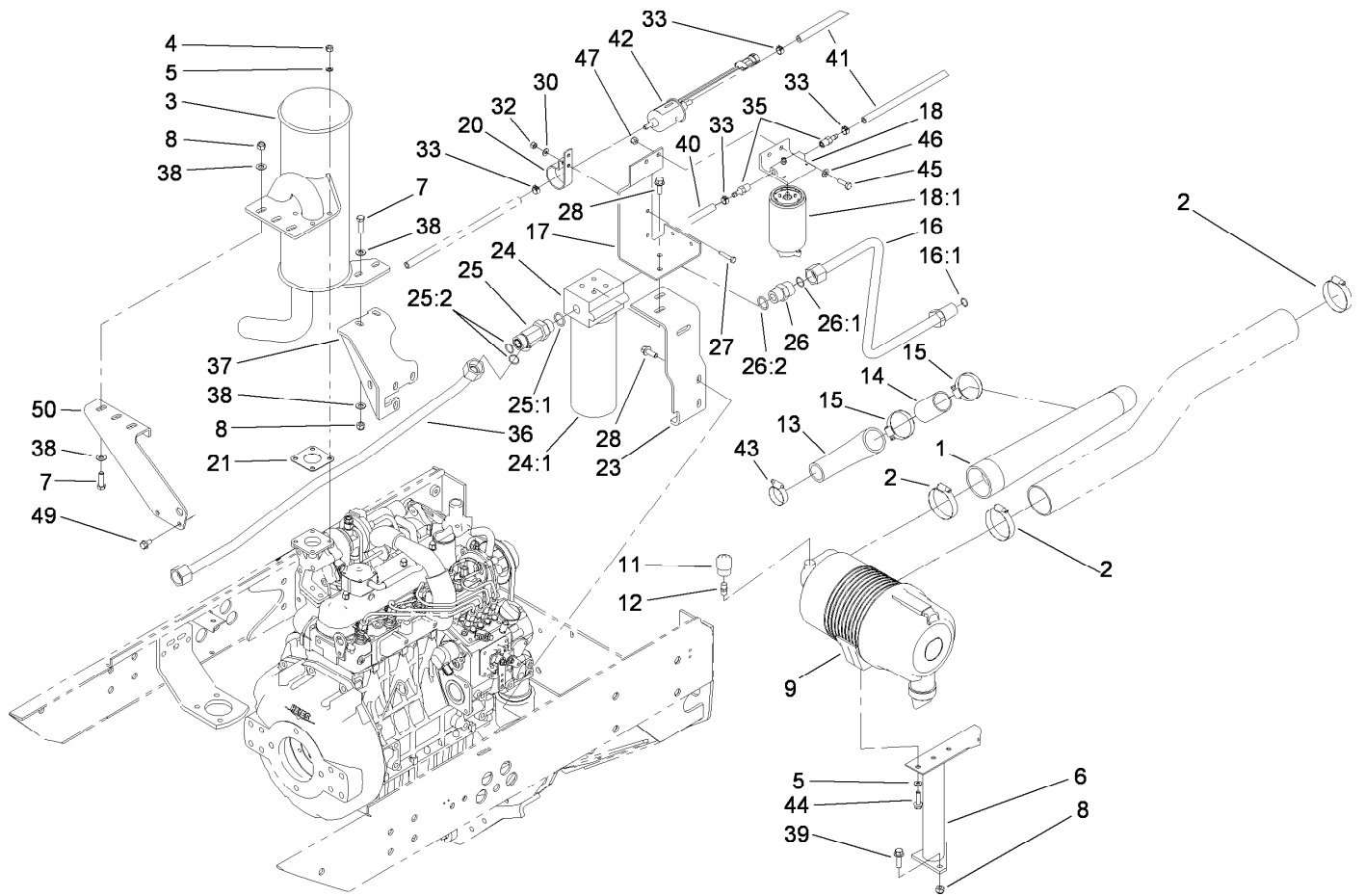
## Engine Installation Assembly

Ref.	Part Number	Qty.	Description	Ref.	Part Number	Qty.	Description
1	125-2180	1	Engine-Kubota, V1505T Dsl	22	99-3441	1	Harness-Wire, Fusible Link
2	131-1821	4	Mount-Engine	23	105-0100	1	Housing-Flywheel
3	87-5100	4	Washer-Snubbing	24	110-9729	1	Coupling-Flywheel
4	323-7	7	Screw-HH	25	42-9600	12	Washer-Lock
5	323-13	3	Screw-HH	26	33114-016	6	Screw-HH
6	3296-39	11	Nut-Lock, NI	27	33114-030	6	Screw-HH
7	105-7914-03	1	Bracket-Engine	28	87-3700	2	Screw-Cap, HH
8	104-3762-03	1	Bracket-Engine, Front (LH)	29	99-6058	3	Screw-Cap
9	3253-4	15	Washer-Lock	30	57-6390	1	Nut-Jam
10	3234-7	4	Screw-HHF	31	106-5972	1	Harness-Wire
11	33114-020	2	Screw-HH	32	98-9346	1	Sender-Temperature
12	104-3764-03	2	Rear Engine Plate ASM	33	2412-34	2	Clamp-Hose
13	325-5	8	Screw-HH	34	104-5222	4	Stud
14	3253-7	8	Washer-Lock	35	98-5845	4	Nut-Hex
15	104-3778-03	1	Plate-Throttle	39	3290-379	2	Tie-Cable
16	63-7790	7	Screw-Cap	40	3256-3	1	Washer-Flat
17	3256-78	1	Washer-Flat	41	33024-00	1	Nut-Lock, NI
18	2412-80	1	Clamp-Hose	42	33114-030	1	Screw-HH
19	33023-00	1	Nut-Lock	43	98-9311	1	Swivel-Throttle
20	117-8972	1	Fan Clutch ASM	44	25-8640	1	Screw-HH
21	74-3650	1	Fan	45	3296-20	1	Nut-Lock, NI



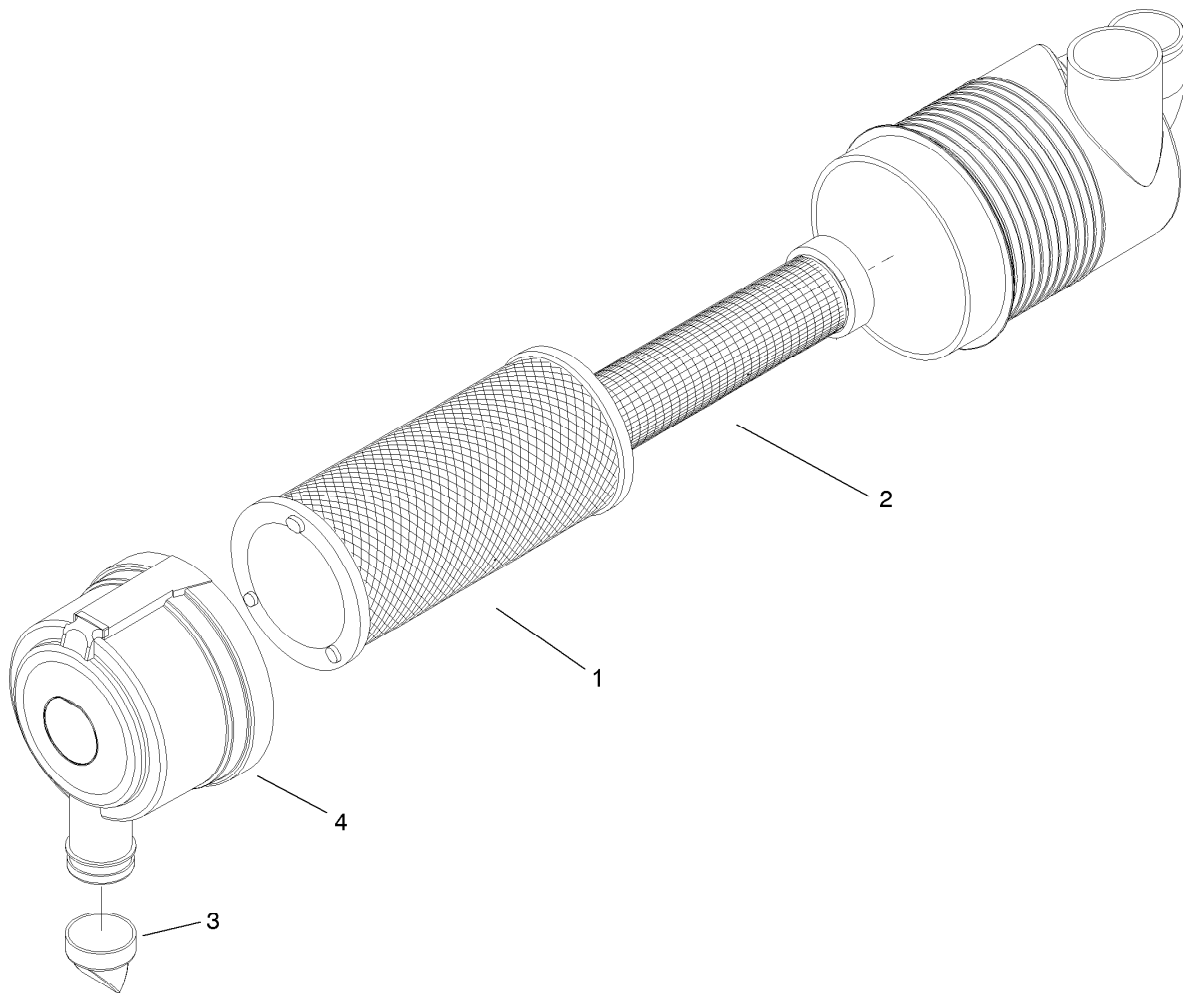
## Engine Installation Assembly (continued)

<i>Ref.</i>	<i>Part Number</i>	<i>Qty.</i>	<i>Description</i>	<i>Ref.</i>	<i>Part Number</i>	<i>Qty.</i>	<i>Description</i>
46	92-2379	1	Clamp-Hose	50	66-9300	2	Screw-HHF
47	3255-9	2	Washer-Lock	51	32128-21	2	Nut-HF Lock
48	48-9220	4	Washer-Plain	52	105-7931-03	1	Bracket-Support
49	323-14	1	Screw-HH	53	3248-3	2	Screw-Set, HSH



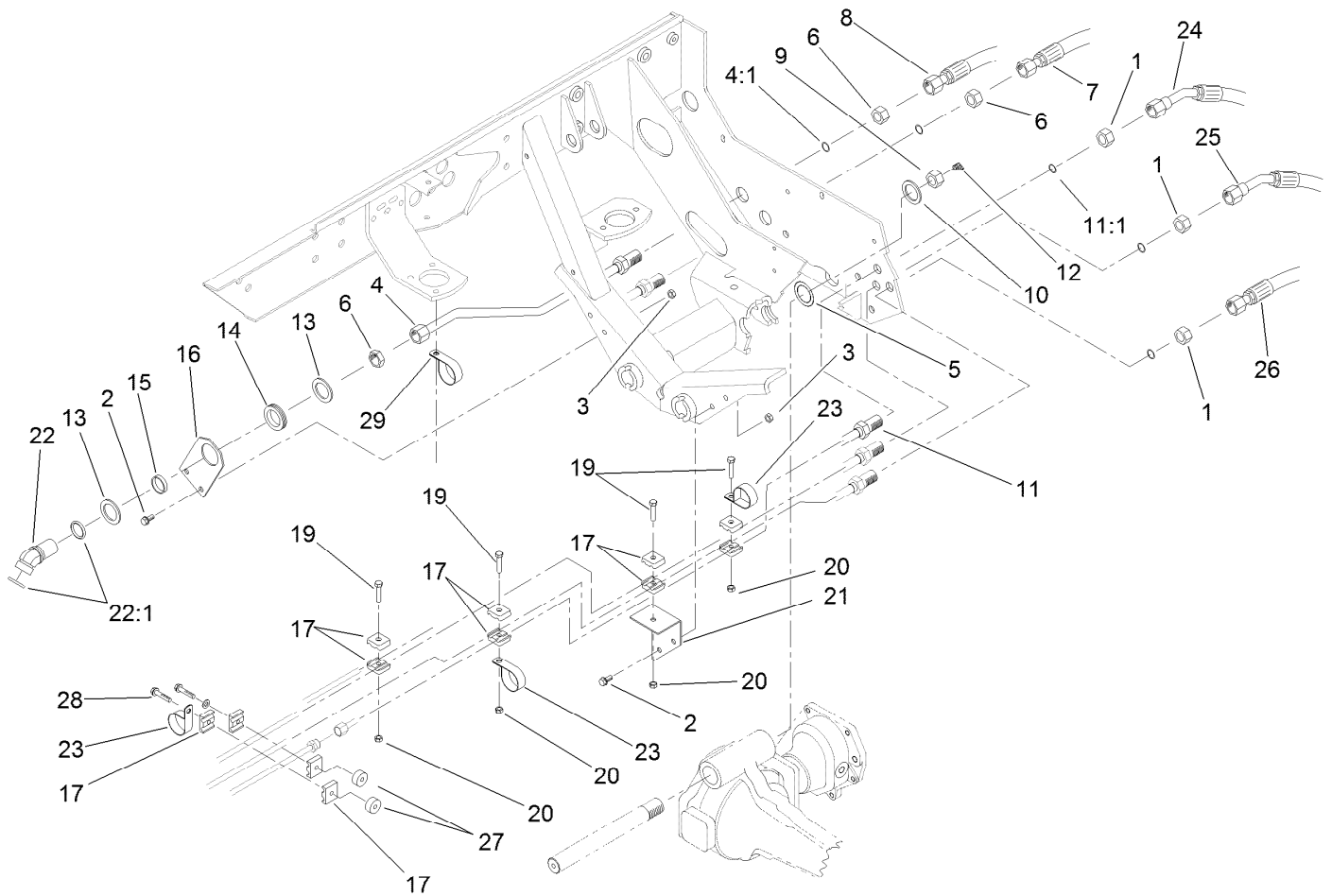
## Oil/Water/Fuel Filter, Muffler and Air Cleaner Assembly

Ref.	Part Number	Qty.	Description	Ref.	Part Number	Qty.	Description
1	114-3956	1	Hose-Air Cleaner, Turbo	25:1	237-81	1	O-Ring
2	2412-125	3	Clamp-Hose	25:2	237-58	2	O-Ring
3	105-9260	1	Muffler ASM	26	340-9	1	Fitting-STR
4	33014-00	4	Nut-Hex	26:1	237-58	1	O-Ring
5	3253-4	6	Washer-Lock	26:2	237-81	1	O-Ring
6	106-7792-03	1	Air Filter Support ASM	27	321-13	1	Screw-HH
7	323-7	5	Screw-HH	28	3234-11	4	Screw-HHF
8	3296-39	7	Nut-Lock, NI	30	3256-1	1	Washer-Flat
9	100-2597	1	Air Filter ASM	32	3296-42	1	Nut-Lock, NI
11	93-9164	1	Indicator-Mini	33	92-2379	4	Clamp-Hose
12	94-1416	1	Adapter-Indicator	35	353-783	1	Fitting-STR
13	104-5207	1	Hose-Turbo	36	104-3749	1	HYD Tube ASM
14	104-5214	1	Spacer-Tubular	37	105-7910-03	1	Support-Muffler
15	2412-92	2	Clamp-Hose	38	3256-56	10	Washer-Flat
16	104-3742	1	HYD Filter Tube ASM	39	3234-24	2	Screw-HHF
16:1	237-65	1	O-Ring	40	110-4112	2	Hose-Fuel
17	104-3776-03	1	Bracket-Separator, Fuel	41	353-781	1	Fitting-HYD, 90
18	110-9044	1	Separator-Filter	42	110-8806	1	Pump-Fuel
18:1	110-9049	1	Filter-Spin On, Fuel/Water	43	2412-3	1	Clamp-Hose
20	110-8817	1	Bracket-Pump, Fuel	44	33104-030	2	Screw-HHF
21	99-8343	1	Gasket-Muffler	45	322-5	2	Screw-HH
23	110-4129-03	1	Bracket-Filter, Oil	46	3256-23	2	Washer-Plain
24	94-2620	1	Oil Filter ASM	47	3296-29	2	Nut-Lock, NI
24:1	94-2621	1	Element-Filter	49	33114-016	2	Screw-HH
25	340-148	1	Fitting-Tee	50	105-9258-03	1	Bracket-Muffler, Upper



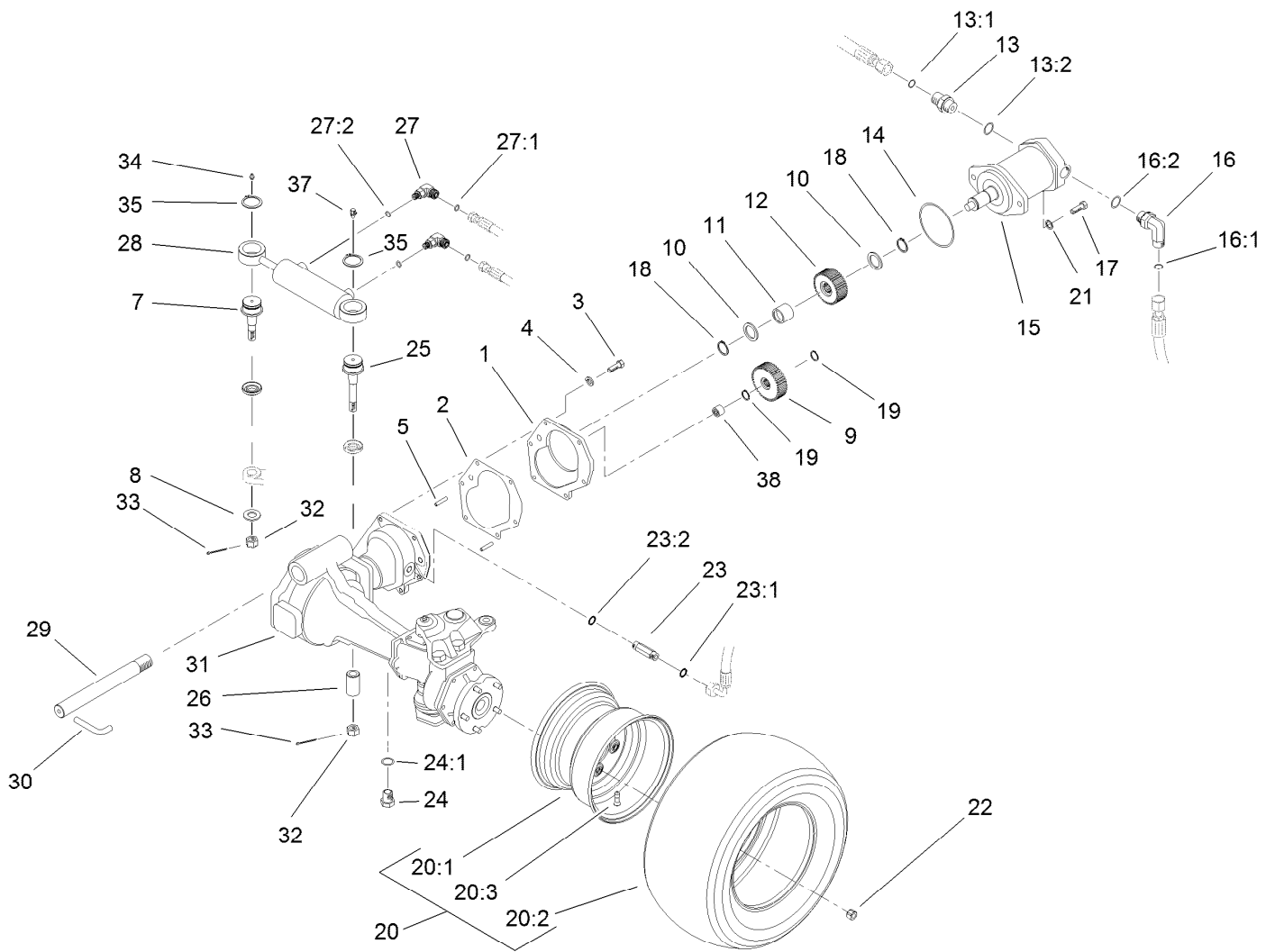
## Air Filter Assembly No. 100-2597

<i>Ref.</i>	<i>Part Number</i>	<i>Qty.</i>	<i>Description</i>
1	108-3812	1	Filter-Air
2	108-3813	1	Element-Safety, Air Cleaner
3	87-9400	1	Valve-Vacuator
4	108-1448	1	Cover ASM



## Rear Hydraulic Assembly

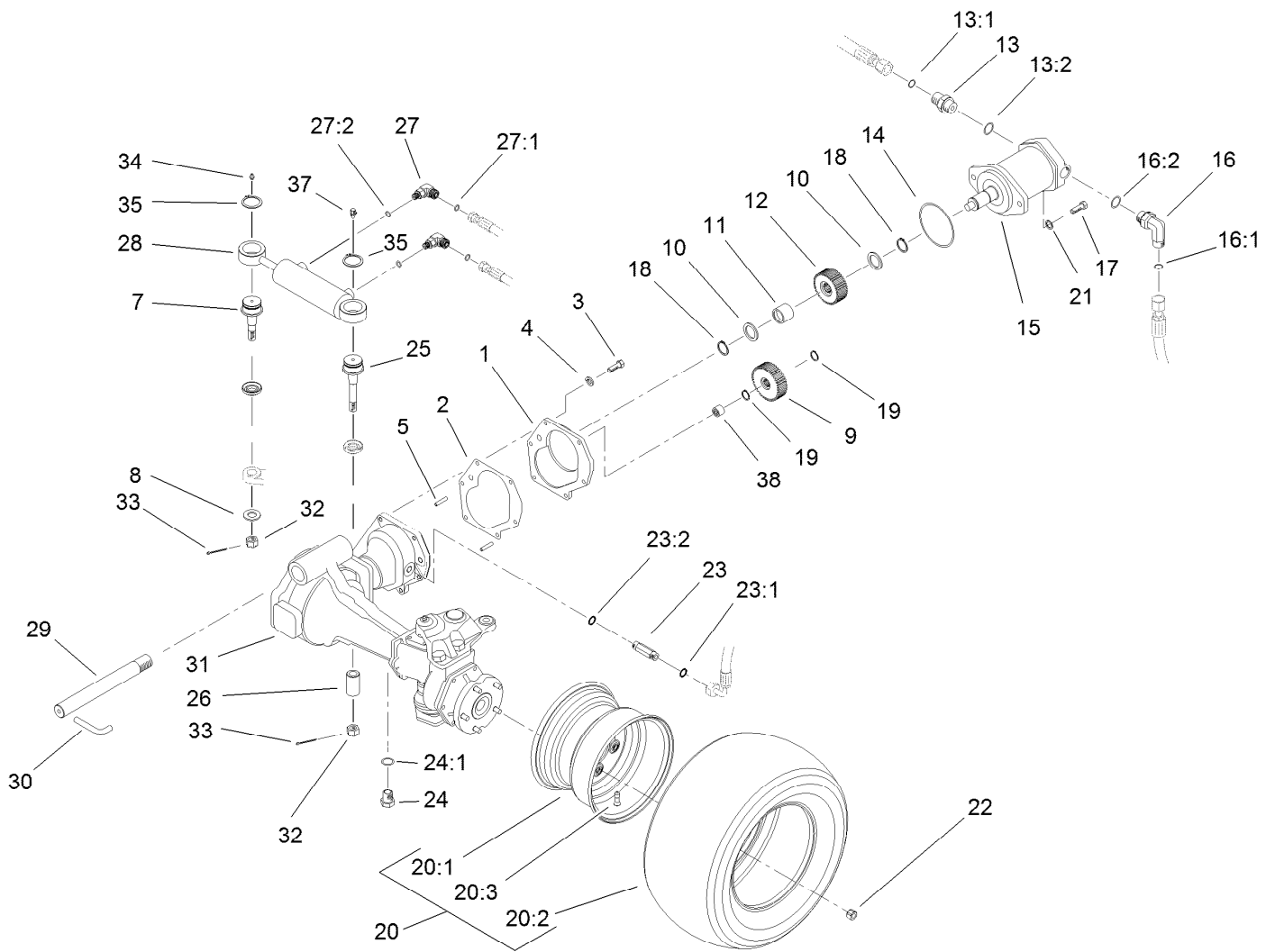
Ref.	Part Number	Qty.	Description	Ref.	Part Number	Qty.	Description
1	340-70	3	Nut-Lock	15	69-8900	1	Spacer
2	323-6	4	Screw-HH	16	104-3774-03	1	Bracket-Bulkhead
3	32128-21	4	Nut-HF Lock	17	56-7973	12	Clamp-Tube
4	104-3735	1	HYD Tube ASM	19	115-1794	4	Screw-HHF
4:1	237-58	1	O-Ring	20	104-8300	4	Nut-HF, NI
5	98-3867	2	Washer-Thrust	21	104-3752-03	1	Bracket-Clamp
6	340-126	3	Nut-Bulkhead	22	92-7646	1	Elbow-Bulkhead, 45 DEG
7	105-9818	1	Hose-HYD	22:1	237-58	2	O-Ring
8	92-7536	1	Hose-HYD	23	2412-107	3	Clamp-R
9	3296-68	1	Nut-Lock, NI	24	92-7534	1	Hose-HYD
10	92-1765	1	Washer-Thrust	25	92-7539	1	Hose-HYD
11	104-3729	1	HYD Tube Drain ASM	26	105-9817	1	Hose-HYD
11:1	237-22	1	O-Ring	27	80-8660	2	Spacer-Coupler
12	302-33	1	Fitting-Grease	28	32104-37	2	Screw-HWH, Thread Cut
13	69-8910	2	Washer	29	2412-147	1	Clamp-R
14	240-7	1	Grommet-Rubber				



## 4 Wheel Drive Axle and Power Steering Assembly

Ref.	Part Number	Qty.	Description	Ref.	Part Number	Qty.	Description
1	95-7541	1	Plate-Cover	16:2	237-81	1	O-Ring
2	106-1140	1	Gasket	17	325-7	2	Screw-HH
3	33114-025	6	Screw-HH	18	32151-96	2	Ring-Retaining
4	3253-4	6	Washer-Lock	19	32120-15	2	Ring-Snap, EXT
5	104-2353	2	Pin-Dowel	20		2	Rim And Tire ASM ●
7	106-6774	1	Joint-Ball	20:1	117-5137	1	Rim
8	92-5836	1	Washer	20:2	115-1572	1	Tire
9	100-3774	1	Gear-Driven, 10 Pitch	20:3	232-27	1	Stem-Valve
10	71-4590	2	Washer-Thrust	21	3256-26	2	Washer-Flat
11	71-4580	1	Bearing	22	93-5268	10	Nut-Lug
12	100-3775	1	Gear-Driver, 10 Pitch	23	340-2	1	Fitting-Straight
13	340-9	1	Fitting-STR	23:1	237-22	1	O-Ring
13:1	237-58	1	O-Ring	23:2	237-42	1	O-Ring
13:2	237-81	1	O-Ring	24	353-989	1	Plug-Hex, Hollow
14	237-166	1	O-Ring	24:1	237-42	1	O-Ring
15	92-7386	1	HYD Motor ASM	25	100-3795	1	Joint-Ball
16	340-142	1	Fitting-Elbow, 90 DEG	26	100-3796	1	Spacer-Joint, Ball
16:1	237-58	1	O-Ring	27	340-97	2	Fitting-Elbow, 90 DEG

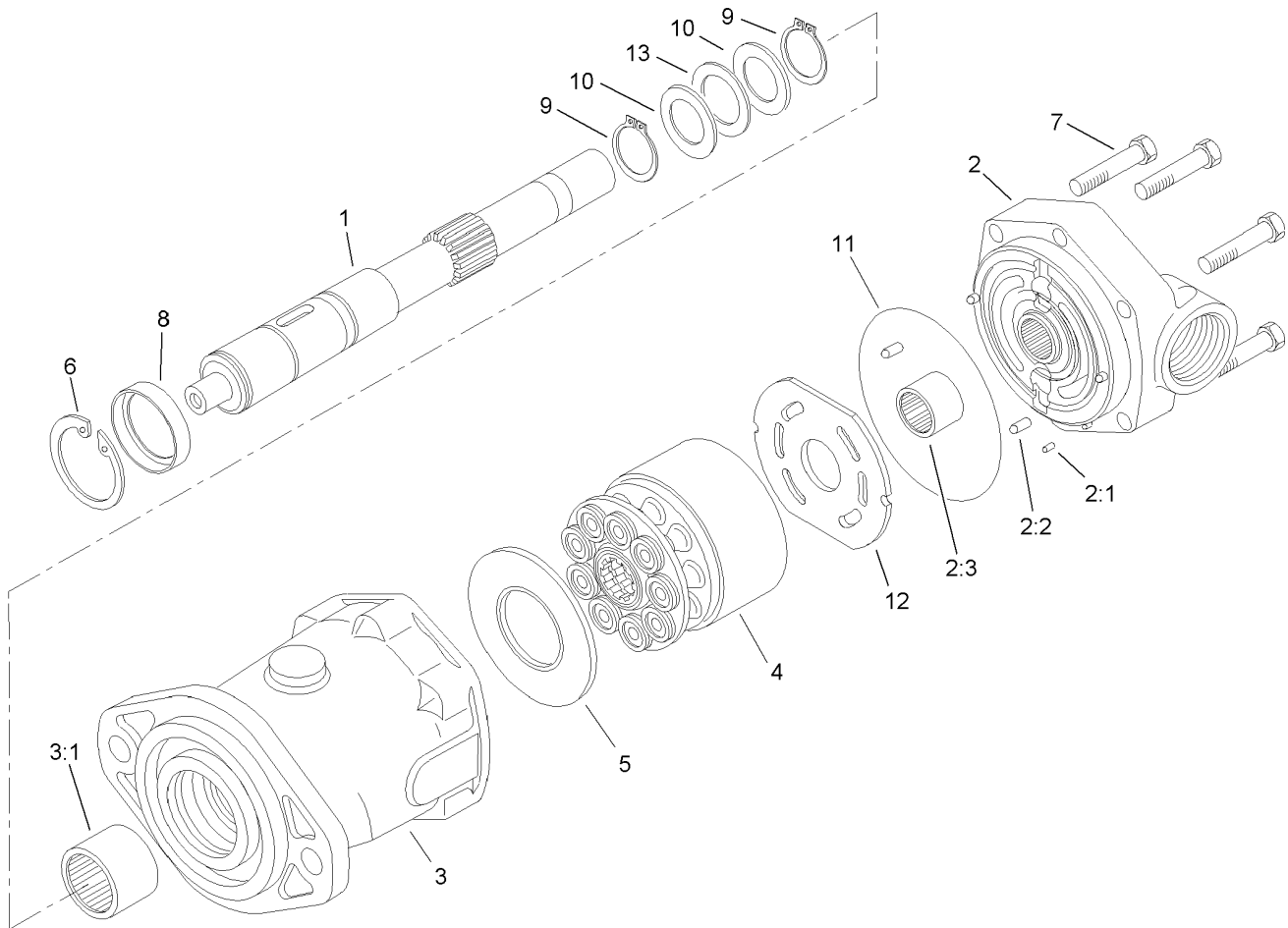
● Not serviced separately



## 4 Wheel Drive Axle and Power Steering Assembly (continued)

<i>Ref.</i>	<i>Part Number</i>	<i>Qty.</i>	<i>Description</i>	<i>Ref.</i>	<i>Part Number</i>	<i>Qty.</i>	<i>Description</i>
27:1	237-22	1	O-Ring	32	32136-14	2	Nut-Hst
27:2	237-78	1	O-Ring	33	3272-11	2	Pin-Cotter
28	127-6431	1	Hydraulic Steer Cylinder ASM	34	302-5	1	Fitting-Grease
29	115-9142	1	Pin-Rear Axle	35	32151-104	2	Ring-Retaining, External
30	32121-110	1	Pin-Roll, Slotted	37	302-60	1	Fitting-Grease
31	110-4750	1	Drive Axle ASM	38	74-5700	1	Bearing-Needle, Roller

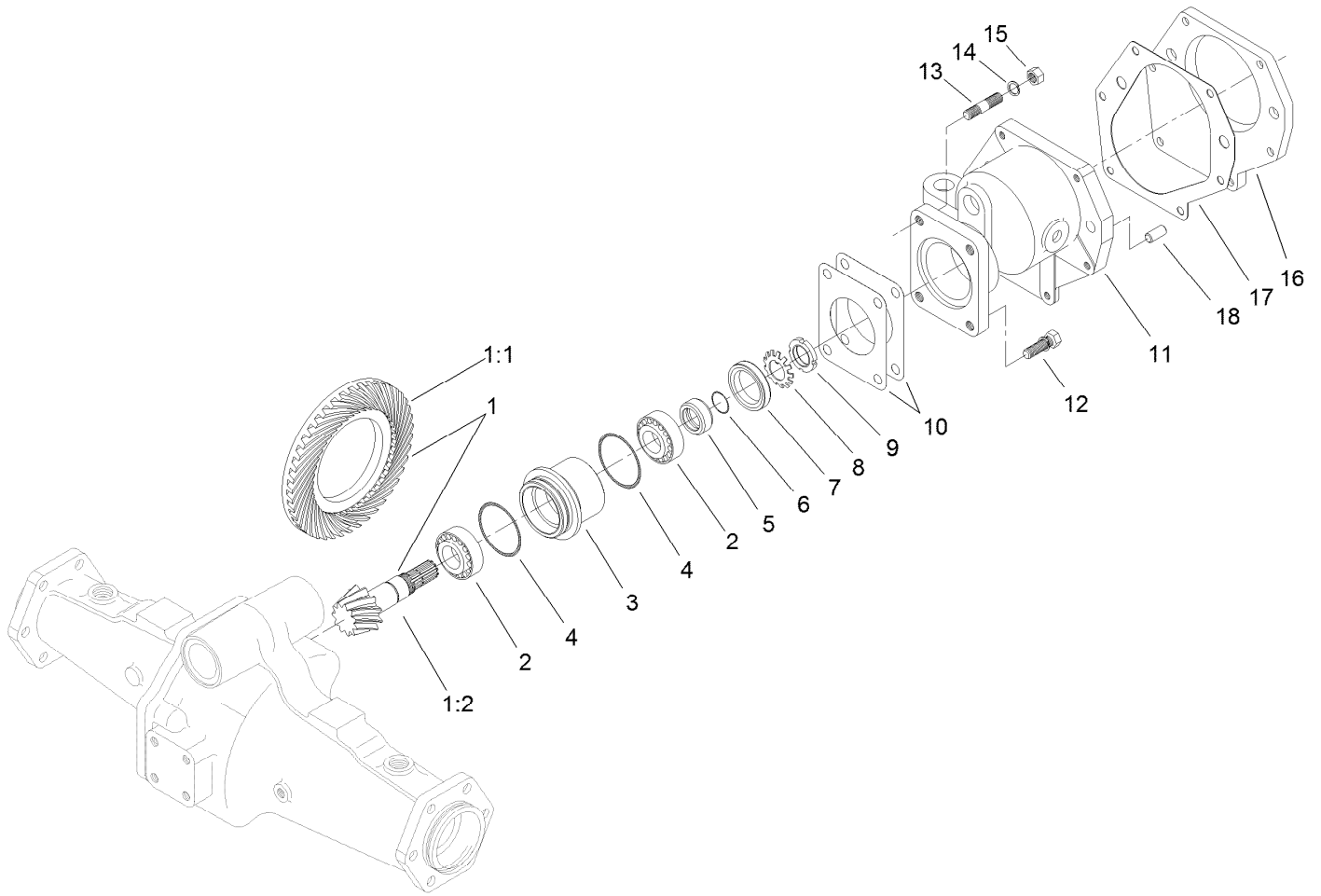
● Not serviced separately



## Hydraulic Motor Assembly No. 92-7386

Ref.	Part Number	Qty.	Description
1	76-6930	1	Shaft-Drive
2	100-2551	1	Backplate
2:1		3	Pin-Dowel ●
2:2		1	Pin-Dowel ●
2:3		1	Bearing-Needle ●
3	94-3001	1	Housing ASM
3:1		1	Bearing-Needle ●
4	76-6910	1	Rotating Kit
5	76-6970	1	Insert-Plate, Cam
6	76-7010	1	Ring-Retaining
7	94-3002	6	Screw-Cap
8	76-7020	1	Spacer
9	76-7000	2	Ring-Retaining
10	76-6950	2	Race-Thrust
11	76-6980	1	O-Ring
12	94-3003	1	Plate-Valve
13	76-6960	1	Bearing-Thrust

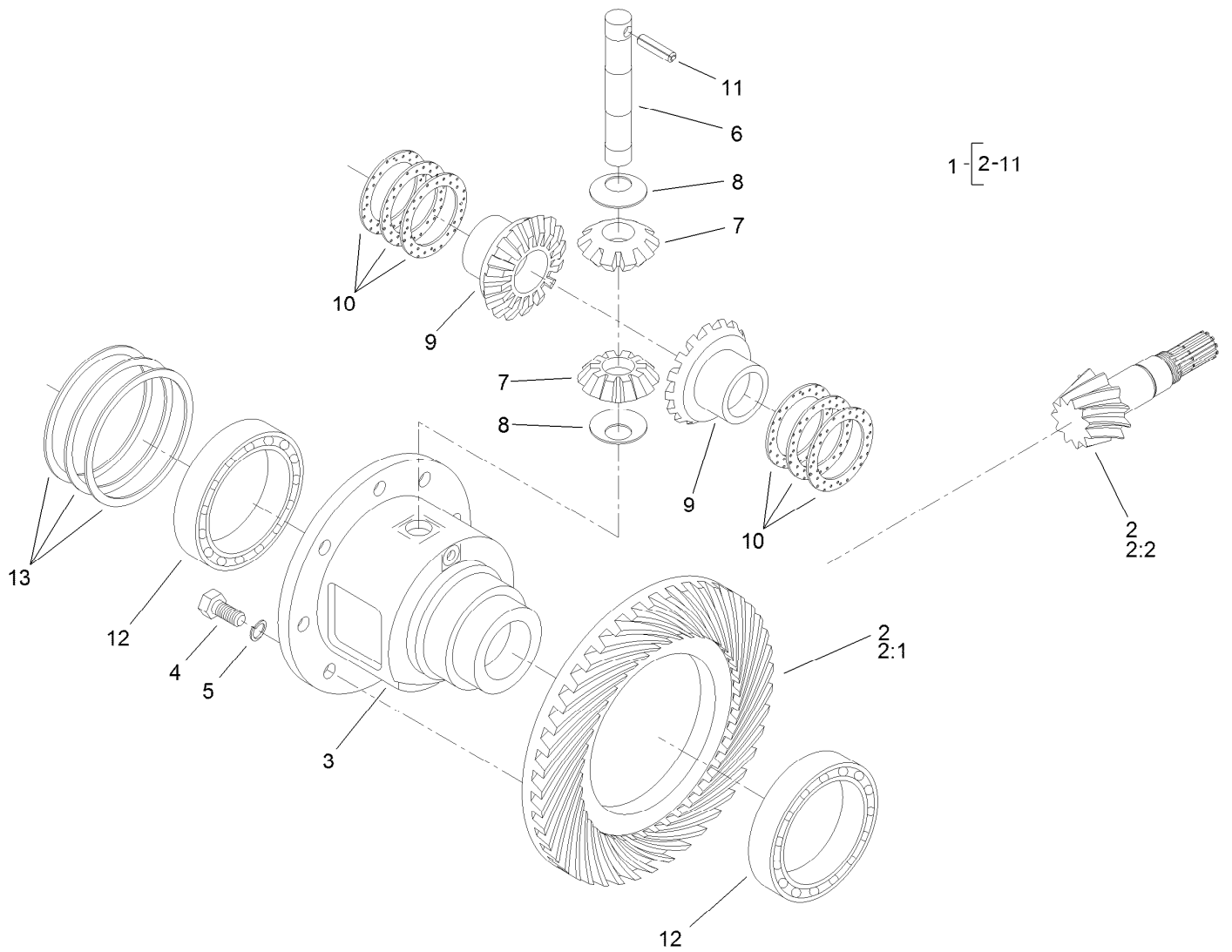
● Not serviced separately



## Bevel Pinion Shaft Assembly Rear Axle Assembly No. 110-4750

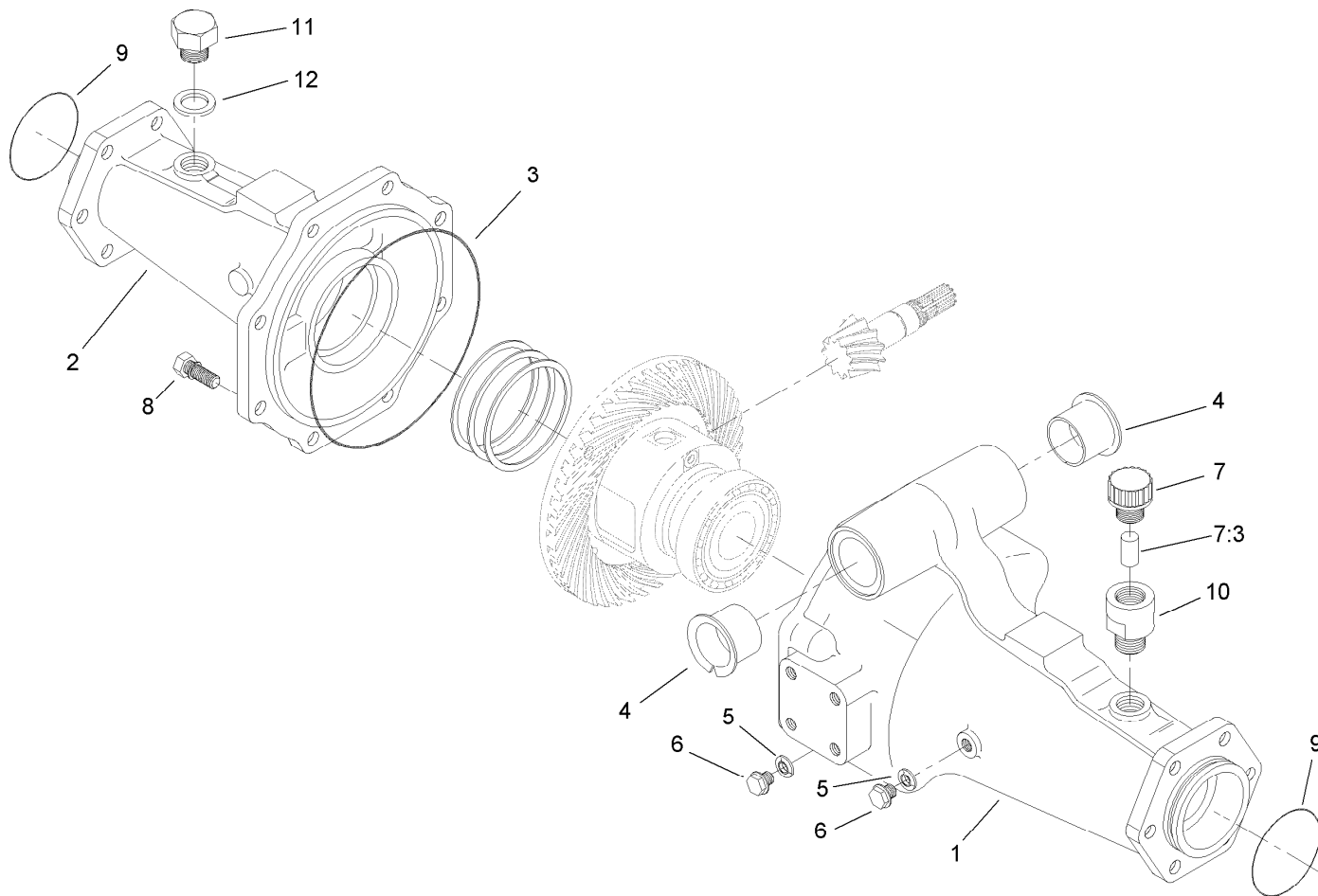
<i>Ref.</i>	<i>Part Number</i>	<i>Qty.</i>	<i>Description</i>
1	106-1093	1	Ring And Pinion Set
1:1	95-7504	1	Gear-43 Tooth, Bevel Spiral
1:2	106-1092	1	Pinion-Spiral, Bevel
2	99-7570	2	Bearing-Roller, Taper
3	95-7534	1	Case-Bearing
4	106-1065	2	O-Ring
5	99-7572	1	Collar-Seal, Oil
6	106-1066	1	O-Ring
7	99-7574	1	Seal-Oil
8	99-7559	1	Washer-Lock
9	99-7560	1	Nut-Lock

<i>Ref.</i>	<i>Part Number</i>	<i>Qty.</i>	<i>Description</i>
10	99-7550	2	Shim 0.1
10	99-7551	2	Shim 0.2
11	95-7533	1	Case-Gear
12	99-7575	2	Bolt
13	98-7735	2	Stud
14	99-7527	2	Washer-Spring
15	99-7526	2	Nut
16	95-7541	1	Plate-Cover
17	106-1140	1	Gasket
18	104-2353	2	Pin-Dowel



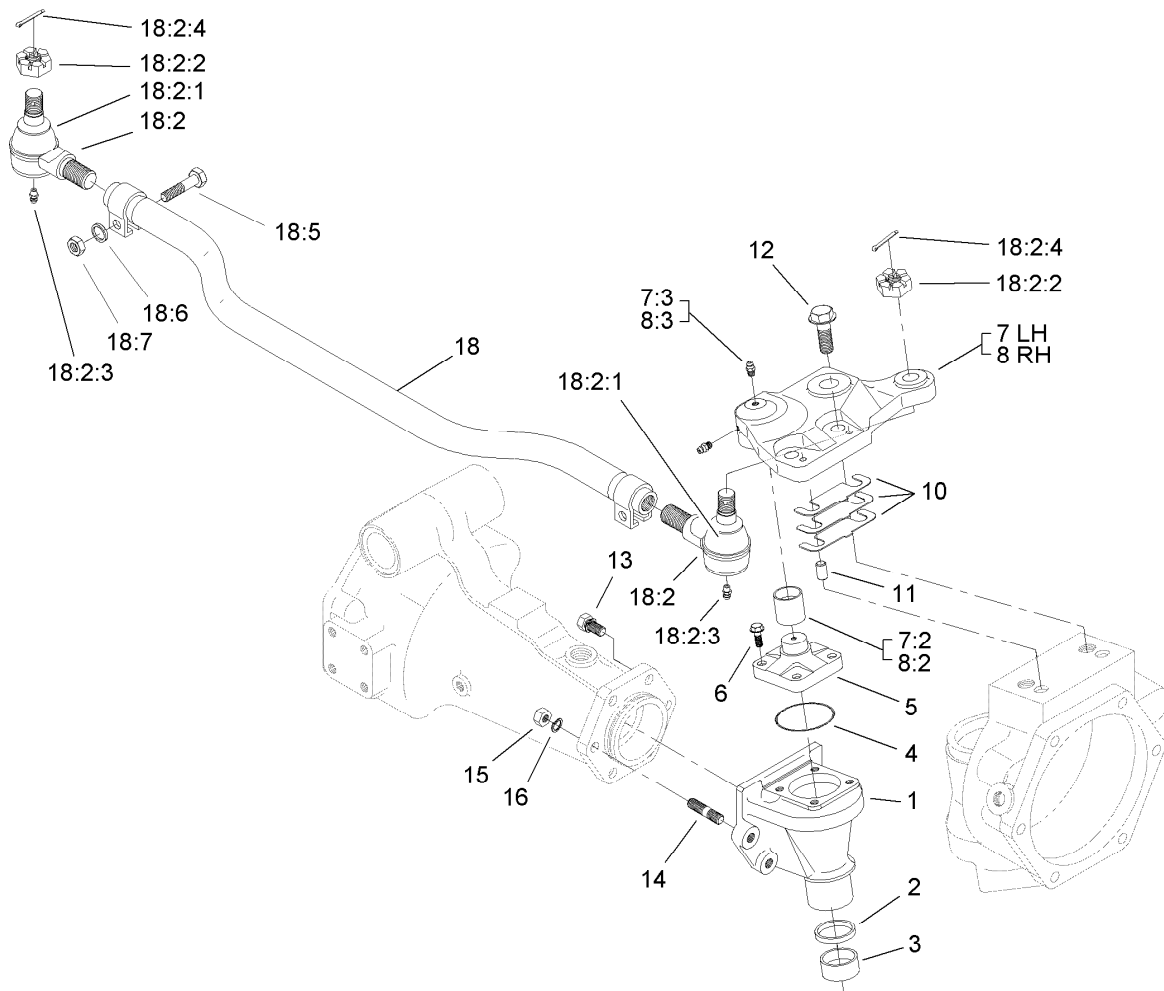
## Differential Assembly Rear Axle Assembly No. 110-4750

<i>Ref.</i>	<i>Part Number</i>	<i>Qty.</i>	<i>Description</i>	<i>Ref.</i>	<i>Part Number</i>	<i>Qty.</i>	<i>Description</i>
1	95-7503	1	Differential ASM	9	99-7581	2	Gear-Differential
2	106-1093	1	Ring And Pinion Set	10	99-7582	2	Washer-Differential
2:1	95-7504	1	Gear-43 Tooth, Bevel Spiral	10	99-7583	2	Washer-Differential
2:2	106-1092	1	Pinion-Spiral, Bevel	10	99-7584	2	Washer-Differential
3	95-7502	1	Case-Differential	11	99-7588	1	Pin-Spring
4	99-7576	8	Bolt	12	99-7562	2	Bearing-Ball
5	3253-4	8	Washer-Lock	13	99-7585	2	Shim 0.1
6	99-7578	1	Shaft-Differential	13	99-7586	2	Shim 0.2
7	99-7579	2	Pinion-Differential	13	99-7587	2	Shim 0.4
8	99-7580	2	Washer-Differential				



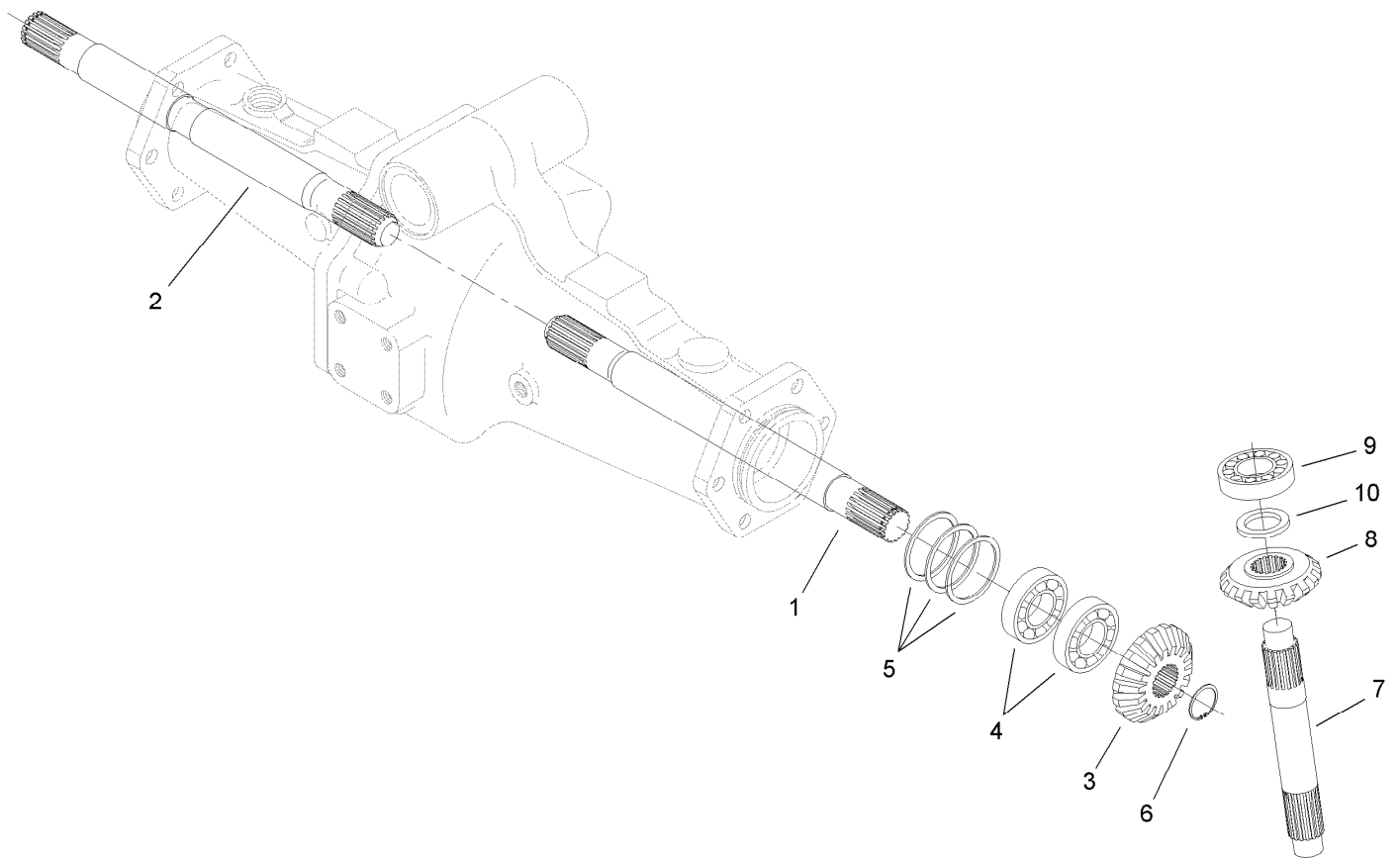
## Axle Support Assembly Rear Axle Assembly No. 110-4750

<i>Ref.</i>	<i>Part Number</i>	<i>Qty.</i>	<i>Description</i>
1	95-7508	1	Support-Axle
2	95-7506	1	Support-Axle
3	106-1067	1	O-Ring
4	95-7537	2	Bushing-Flanged
5	99-7590	2	Washer-Seal
6	99-7589	2	Plug
7	110-4812	1	Axle Vent ASM
7:3	110-4815	1	Insert-Filter, Foam
8	99-7592	8	Bolt
9	106-1068	2	O-Ring
10	104-2377	1	Extension-Vent
11	104-8643	1	Plug
12	104-8644	1	O-Ring



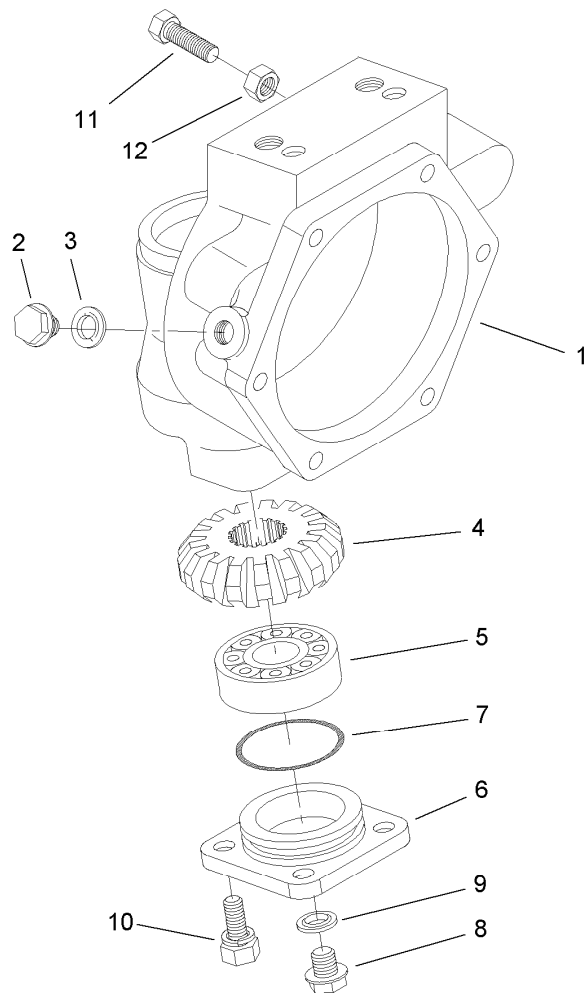
## Bevel Gear Case Assembly Rear Axle Assembly No. 110-4750

<i>Ref.</i>	<i>Part Number</i>	<i>Qty.</i>	<i>Description</i>	<i>Ref.</i>	<i>Part Number</i>	<i>Qty.</i>	<i>Description</i>
1	110-4752	2	Case-Gear, Bevel	12	104-2375	4	Bolt
2	110-4754	2	Seal-Oil	13	99-7599	8	Bolt
3	104-2378	2	Bushing	14	99-7525	4	Stud
4	106-1069	2	O-Ring	15	99-7526	4	Nut
5	104-2373	2	Knuckle	16	99-7527	4	Washer-Spring
6	104-2374	8	Bolt	18	106-1141	1	Steering Tie Rod ASM
7	100-3768	1	LH Steering Arm ASM	18:2	106-1113	2	Tie Rod End ASM - RH
7:2	104-8634	1	Bushing				Thread
7:3	106-1104	2	Fitting-Grease	18:2:1	100-3853	1	Cover-Dust
8	100-3766	1	RH Steering Arm ASM	18:2:2	100-3854	1	Nut-Castle
8:2	104-8634	1	Bushing	18:2:3	110-4755	1	Fitting-Grease
8:3	106-1104	2	Fitting-Grease	18:2:4	3272-11	1	Pin-Cotter
10	95-7547	2	Shim 0.1	18:5	100-3855	2	Bolt
10	95-7548	2	Shim 0.2	18:6	99-7527	2	Washer-Spring
10	95-7549	2	Shim 0.3	18:7	99-7526	2	Nut
11	99-7597	4	Pin-Dowel				



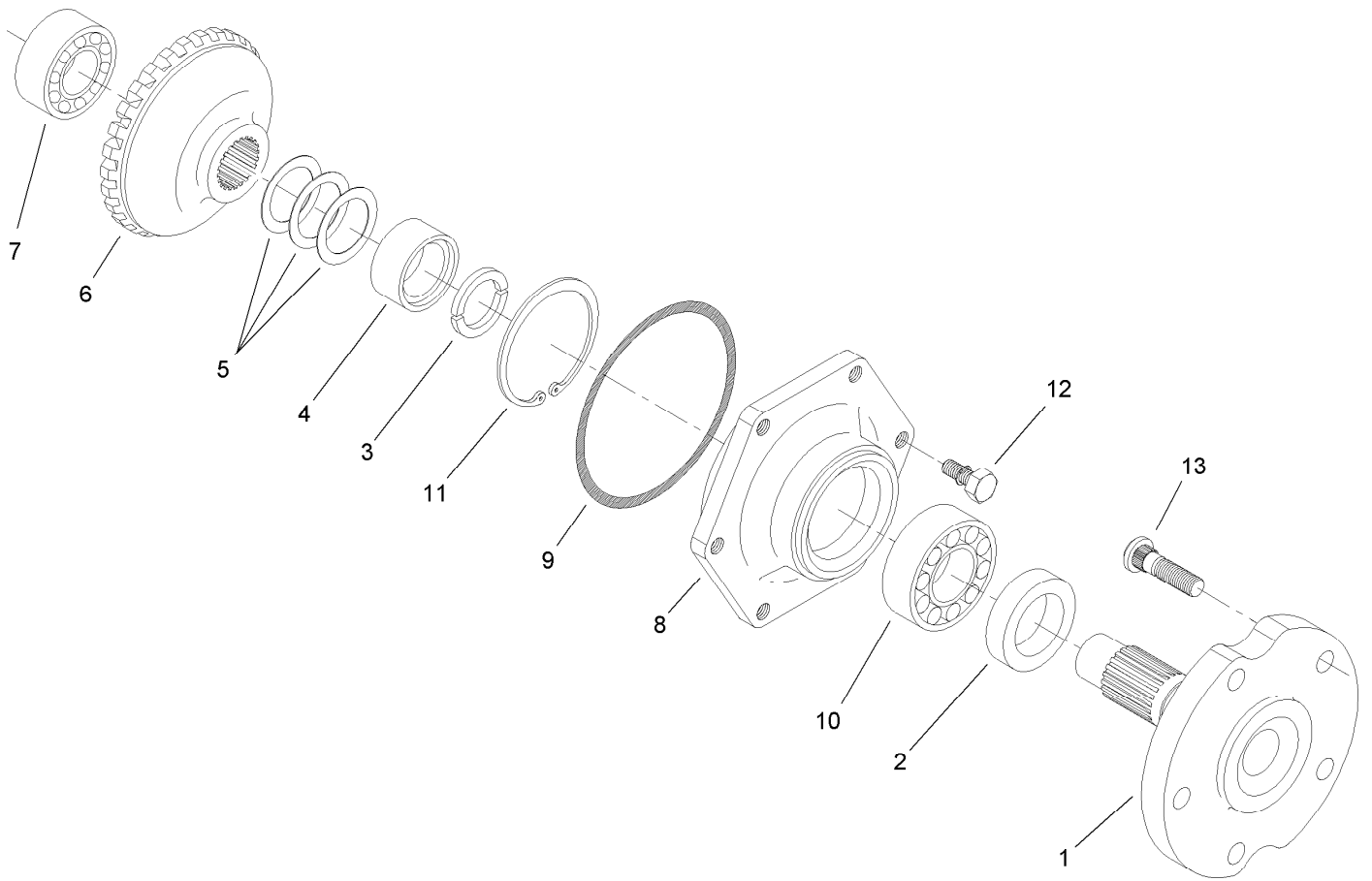
## Bevel Gear Shaft Assembly Rear Axle Assembly No. 110-4750

<i>Ref.</i>	<i>Part Number</i>	<i>Qty.</i>	<i>Description</i>
1	95-7509	1	Shaft-Gear, Differential
2	95-7512	1	Shaft-Gear, Differential
3	95-7517	2	Gear-Bevel, 15 Tooth
4	99-7530	4	Bearing-Ball
5	99-7552	2	Shim 0.1
5	99-7553	2	Shim 0.2
5	99-7554	2	Shim 0.5
6	99-7531	2	Clip
7	110-4753	2	Shaft-Gear, Bevel
8	95-7519	2	Gear-Bevel, 17 Tooth
9	99-7532	2	Bearing-Roller, Taper
10	99-7558	2	Collar



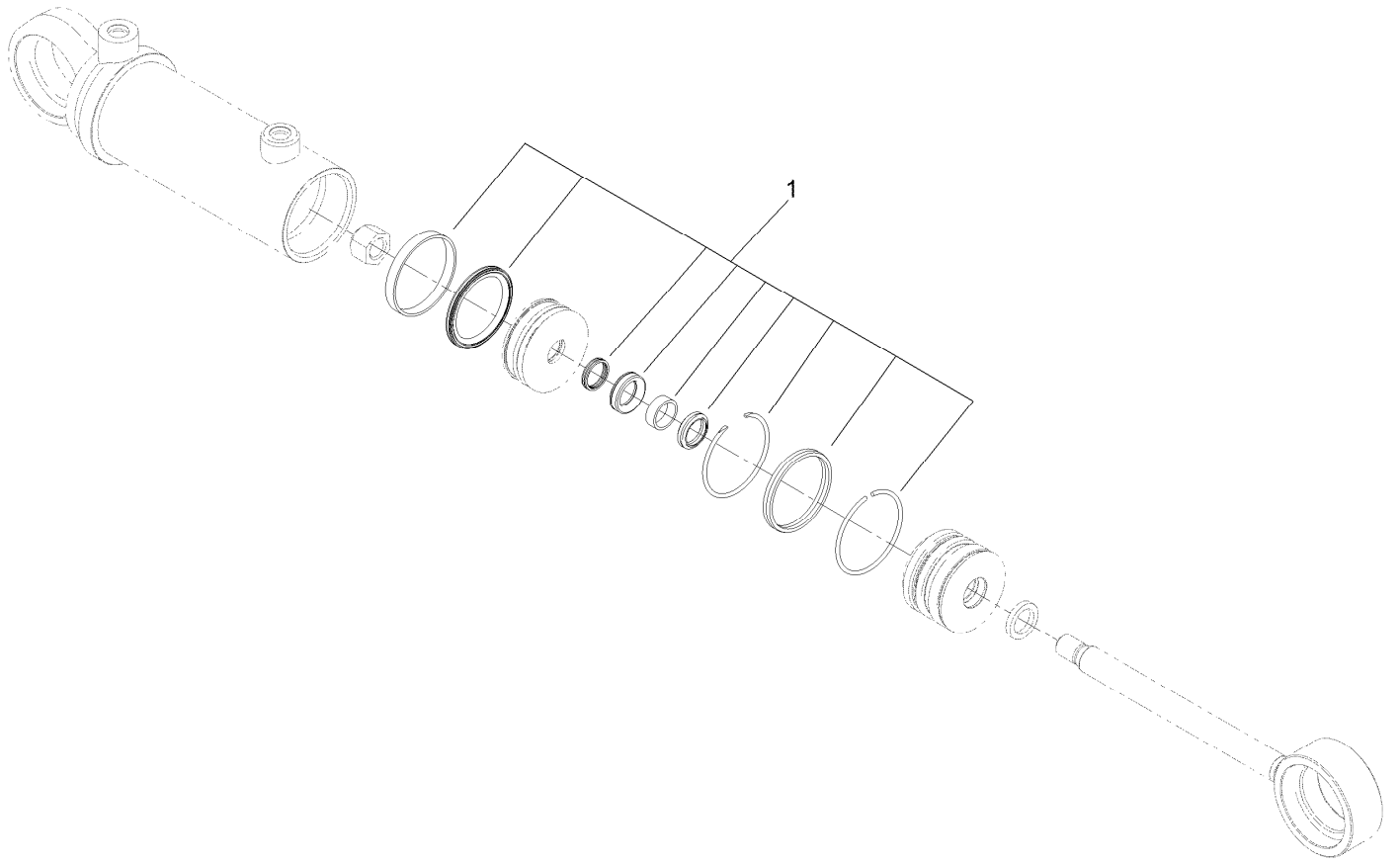
## Axle Case Assembly Rear Axle Assembly No. 110-4750

Ref.	Part Number	Qty.	Description
1	110-4751	2	Case-Axle
2	99-7535	2	Plug
3	99-7536	2	Washer-Seal
4	95-7527	2	Gear-Bevel, 17 Tooth
5	99-7532	2	Bearing-Roller, Taper
6	100-2560	2	Cover
7	106-1070	2	O-Ring
8	99-7589	2	Plug
9	99-7590	2	Washer-Seal
10	100-2562	8	Bolt
11	106-1102	2	Bolt-Stop
12	106-1103	2	Nut



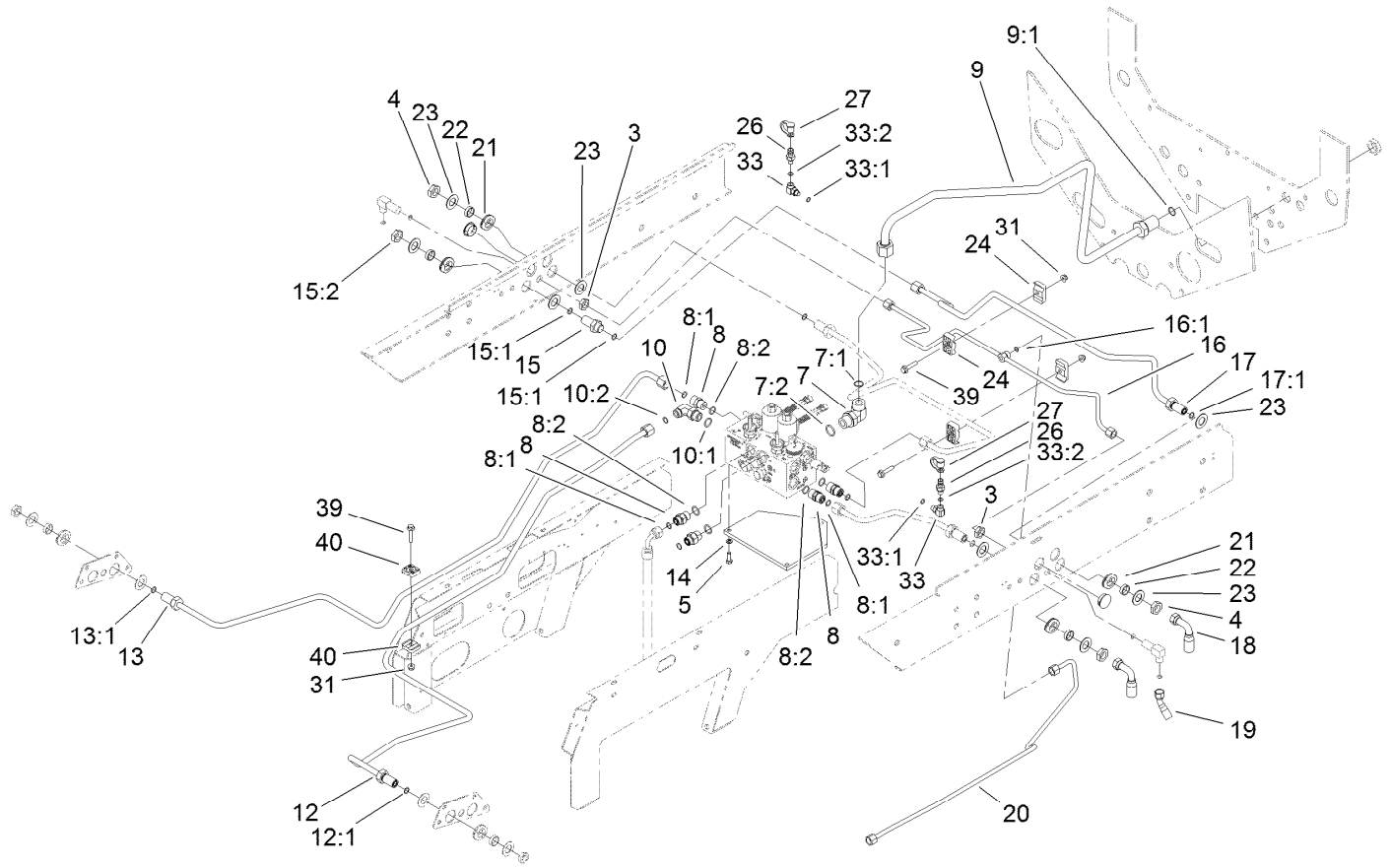
## Axle Assembly Rear Axle Assembly No. 110-4750

<i>Ref.</i>	<i>Part Number</i>	<i>Qty.</i>	<i>Description</i>
1	95-7522	2	Axle
2	99-7564	2	Seal-Oil
3	95-7544	4	Clip
4	95-7523	2	Spacer
5	99-7555	2	Shim 0.3
5	99-7556	2	Shim 0.2
5	99-7557	2	Shim 0.5
6	95-7524	2	Gear-Bevel, 29 Tooth
7	99-7534	2	Bearing-Ball
8	95-7521	2	Cover-Axle
9	106-1071	2	O-Ring
10	99-7561	2	Bearing-Ball
11	99-7539	2	Clip
12	99-7596	12	Bolt
13	99-7563	10	Stud



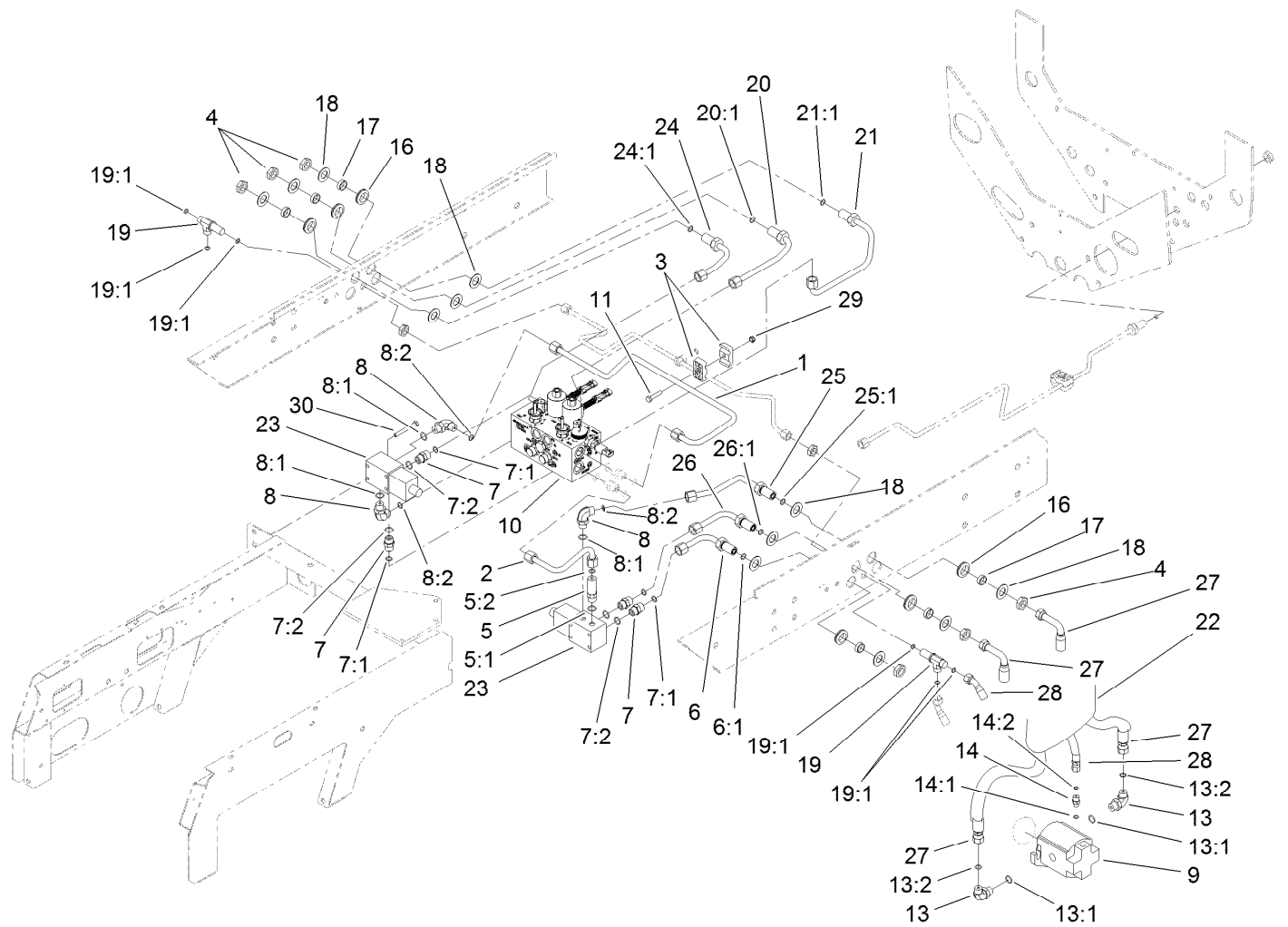
## Hydraulic Steer Cylinder Assembly No. 127-6431

<i>Ref.</i>	<i>Part Number</i>	<i>Qty.</i>	<i>Description</i>
1	131-7756	1	Cylinder Seal Kit



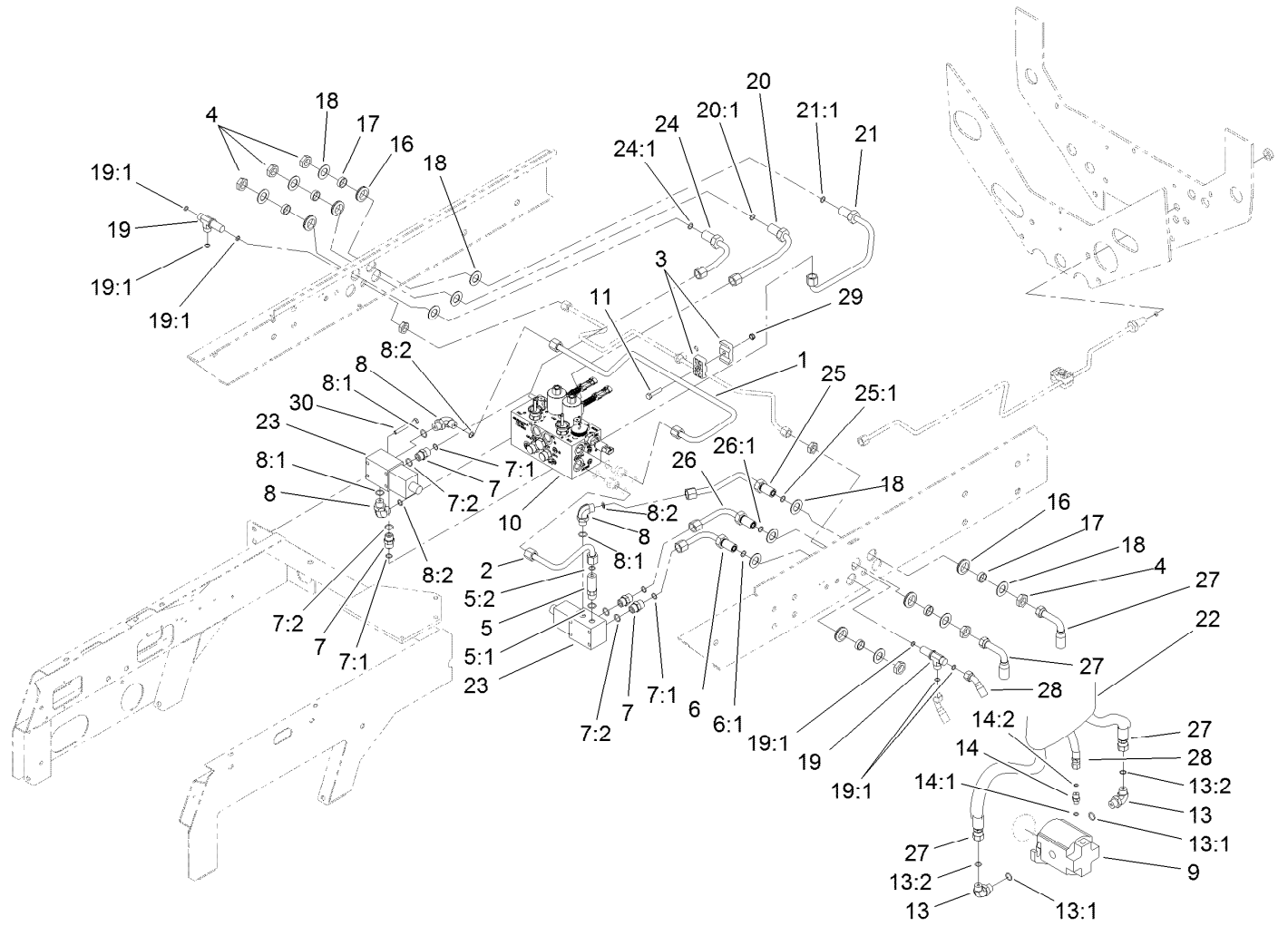
## Rear Hydraulic Control Block Assembly

Ref.	Part Number	Qty.	Description	Ref.	Part Number	Qty.	Description
3	340-70	2	Nut-Lock	15:2	340-127	1	Nut-Bulkhead
4	340-127	4	Nut-Bulkhead	16	104-3723	1	HYD Tube ASM
5	322-4	2	Screw-HH	16:1	237-22	1	O-Ring
7	340-142	1	Fitting-Elbow, 90 DEG	17	104-3724	1	HYD Tube ASM
7:1	237-58	1	O-Ring	17:1	237-30	1	O-Ring
7:2	237-81	1	O-Ring	18	105-7903	4	HYD Hose ASM
8	340-6	5	Fitting-Straight	19	99-5614	2	HYD Hose ASM
8:1	237-30	1	O-Ring	20	114-3962	1	Drain Return Tube ASM
8:2	237-80	1	O-Ring	21	240-5	4	Grommet
9	104-3734	1	HYD Cooler Tube ASM	22	69-8960	4	Spacer
9:1	237-65	1	O-Ring	23	69-8930	8	Washer
10	340-105	1	Fitting-Elbow, 90 DEG	24	56-7972	4	Clamp-Tube
10:1	237-80	1	O-Ring	26	115-8886	2	Nipple-Test
10:2	237-30	1	O-Ring	27	354-79	2	Cap-Dust
12	104-3741	1	HYD Tube ASM	31	104-8300	3	Nut-HF, NI
12:1	237-30	1	O-Ring	33	340-132	2	Fitting-Elbow, 90 DEG
13	104-3739	1	HYD Tube ASM	33:1	237-78	1	O-Ring
13:1	237-30	1	O-Ring	33:2	237-21	1	O-Ring
14	3253-4	2	Washer-Lock	39	115-1794	3	Screw-HHF
15	340-161	1	Fitting-Bulkhead	40	56-7976	2	Clamp-Tube
15:1	237-30	2	O-Ring				



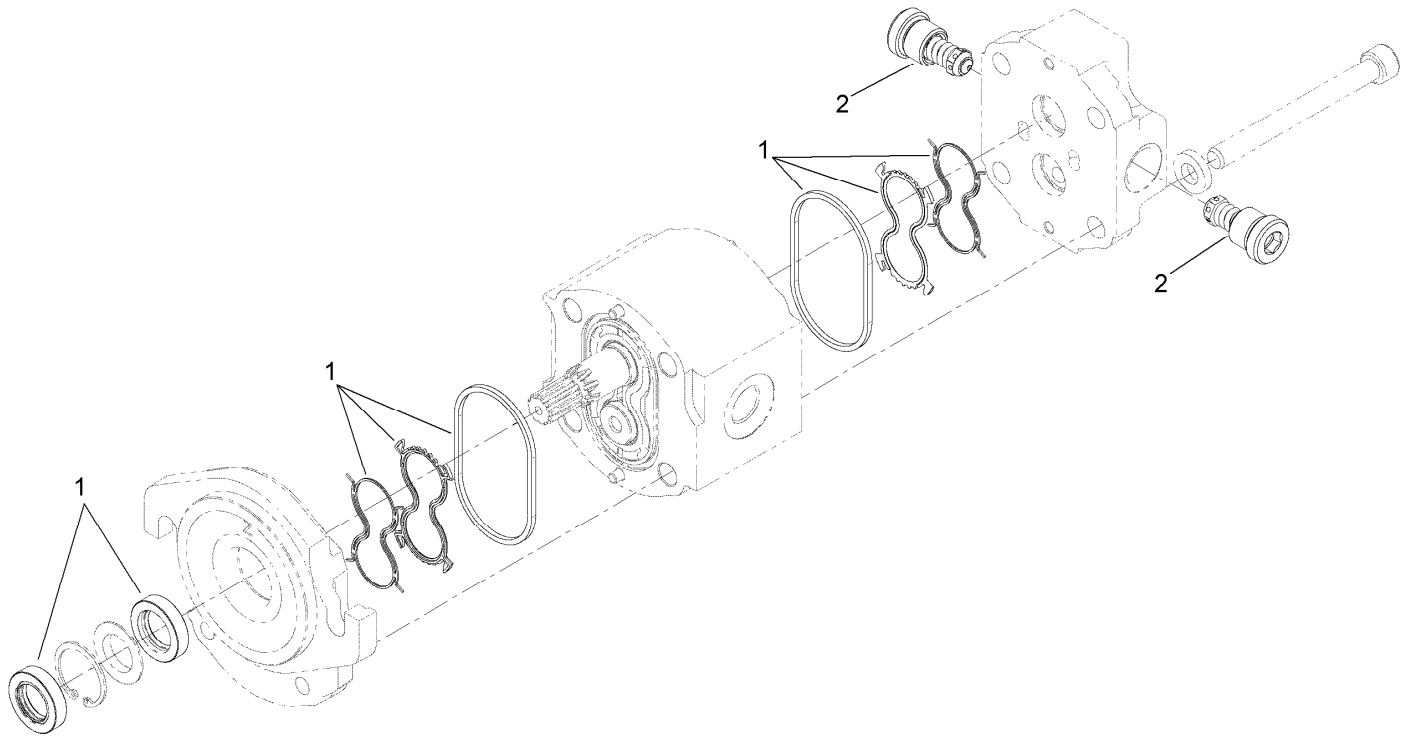
## Hydraulic Manifold Mow Block Assembly

Ref.	Part Number	Qty.	Description	Ref.	Part Number	Qty.	Description
1	104-3744	1	HYD Tube ASM	14	340-92	2	Fitting-Straight
2	104-3743	1	HYD Tube ASM	14:1	237-78	1	O-Ring
3	56-7976	2	Clamp-Tube	14:2	237-21	1	O-Ring
4	340-127	4	Nut-Bulkhead	16	240-5	4	Grommet
5	119-4854	1	Fitting-STR	17	69-8960	4	Spacer
5:1	237-30	1	O-Ring	18	69-8930	8	Washer
5:2	237-79	1	O-Ring	19	340-68	2	Fitting-Tee, Bulkhead
6	104-3725	1	HYD Tube ASM	19:1	237-22	3	O-Ring
6:1	237-30	1	O-Ring	20	104-3720	1	HYD Tube ASM
7	340-4	4	Fitting-Straight	20:1	237-30	1	O-Ring
7:1	237-30	1	O-Ring	21	104-3721	1	HYD Tube ASM
7:2	237-79	1	O-Ring	21:1	237-30	1	O-Ring
8	340-98	7	Fitting-Elbow, 90 DEG	22	100-3814	2	Sleeve-Protective
8:1	237-79	1	O-Ring	23	76-9970	2	Four Wheel Drive Valve ASM
8:2	237-30	1	O-Ring	24	104-3722	1	HYD Tube ASM
9	120-6272	2	HYD Motor ASM	24:1	237-30	1	O-Ring
10	112-6510	1	Mow Block Manifold ASM	25	104-3727	1	HYD Tube ASM
11	115-1794	1	Screw-HHF	25:1	237-30	1	O-Ring
13	340-98	4	Fitting-Elbow, 90 DEG	26	104-3726	1	HYD Tube ASM
13:1	237-79	1	O-Ring	26:1	237-30	1	O-Ring
13:2	237-30	1	O-Ring				



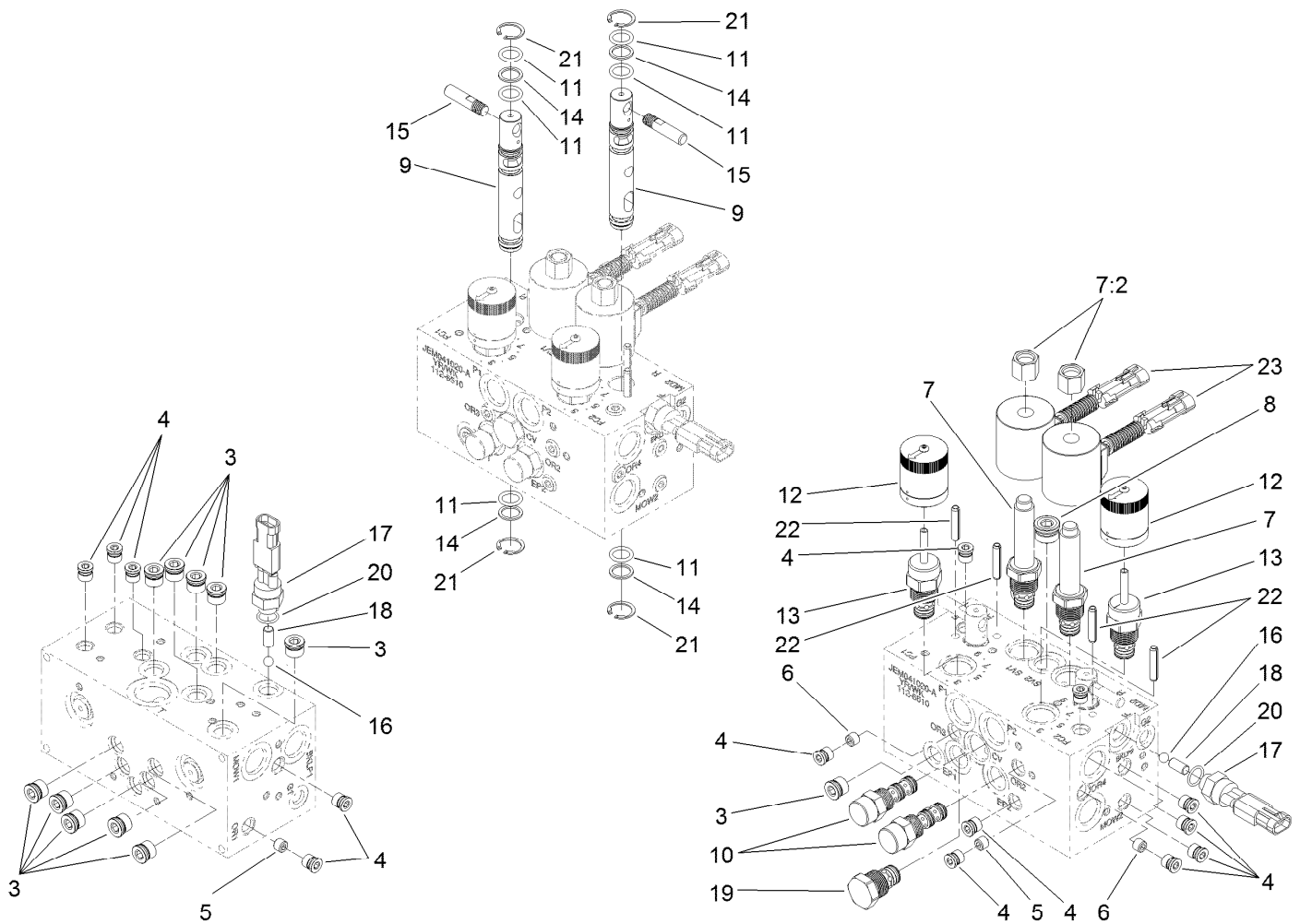
## Hydraulic Manifold Mow Block Assembly (continued)

<i>Ref.</i>	<i>Part Number</i>	<i>Qty.</i>	<i>Description</i>	<i>Ref.</i>	<i>Part Number</i>	<i>Qty.</i>	<i>Description</i>
27	105-7900	4	HYD Hose ASM	29	104-8300	1	Nut-HF, NI
28	94-1433	2	HYD Hose ASM	30	322-13	4	Screw-HH



## Hydraulic Motor Assembly No. 120-6272

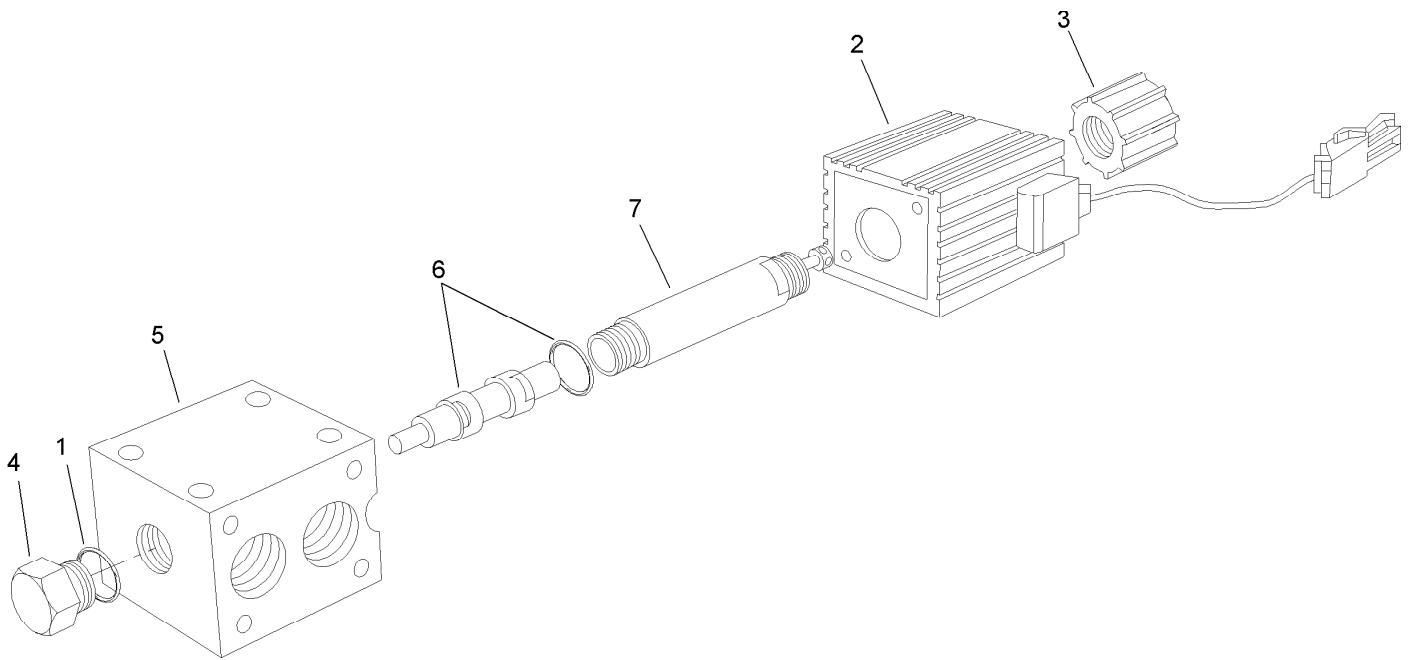
<i>Ref.</i>	<i>Part Number</i>	<i>Qty.</i>	<i>Description</i>
1	138-1234	1	Seal Kit
2	117-5107	1	Valve-Check



## Hydraulic Manifold Assembly No. 112-6510

Ref.	Part Number	Qty.	Description	Ref.	Part Number	Qty.	Description
3	106-1026	11	Plug-HYD	13	110-8769	2	Valve-Control, Manual Flow
4	106-1025	14	Plug-HYD	13:1	110-2633	1	Seal Kit ●
5	112-6538	2	Orifice (.063 Inch)	14	112-6534	4	Ring-Back Up
6	112-6537	2	Orifice (3/8-16, DIA .007)	15	110-8758	2	Handle-Spool
7	110-8768	2	Valve-Relief, Solenoid (3000 PSI)	16	110-8762	2	Ball-Chrome
7:1	110-6316	1	Seal Kit ●	17	72-4320	2	Switch-Ball
7:2	130-8180	1	Nut-Coil (9/16-24 Unef-2B)	18	112-6533	2	Pin-Dowel
8	106-1027	1	Plug	19	110-8759	1	Valve-Check
9	112-6536	2	Spool	19:1	110-8772	1	Seal Kit ●
10	110-8890	2	Element-Logic	20	110-8757	2	O-Ring
10:1	110-8773	1	Seal Kit ●	21	112-6532	4	Ring-Retaining
11	112-6535	6	O-Ring	22	112-6531	4	Pin-Spring
12	110-8767	2	Rotary Handle ASM	23	112-6530	2	Coil ASM

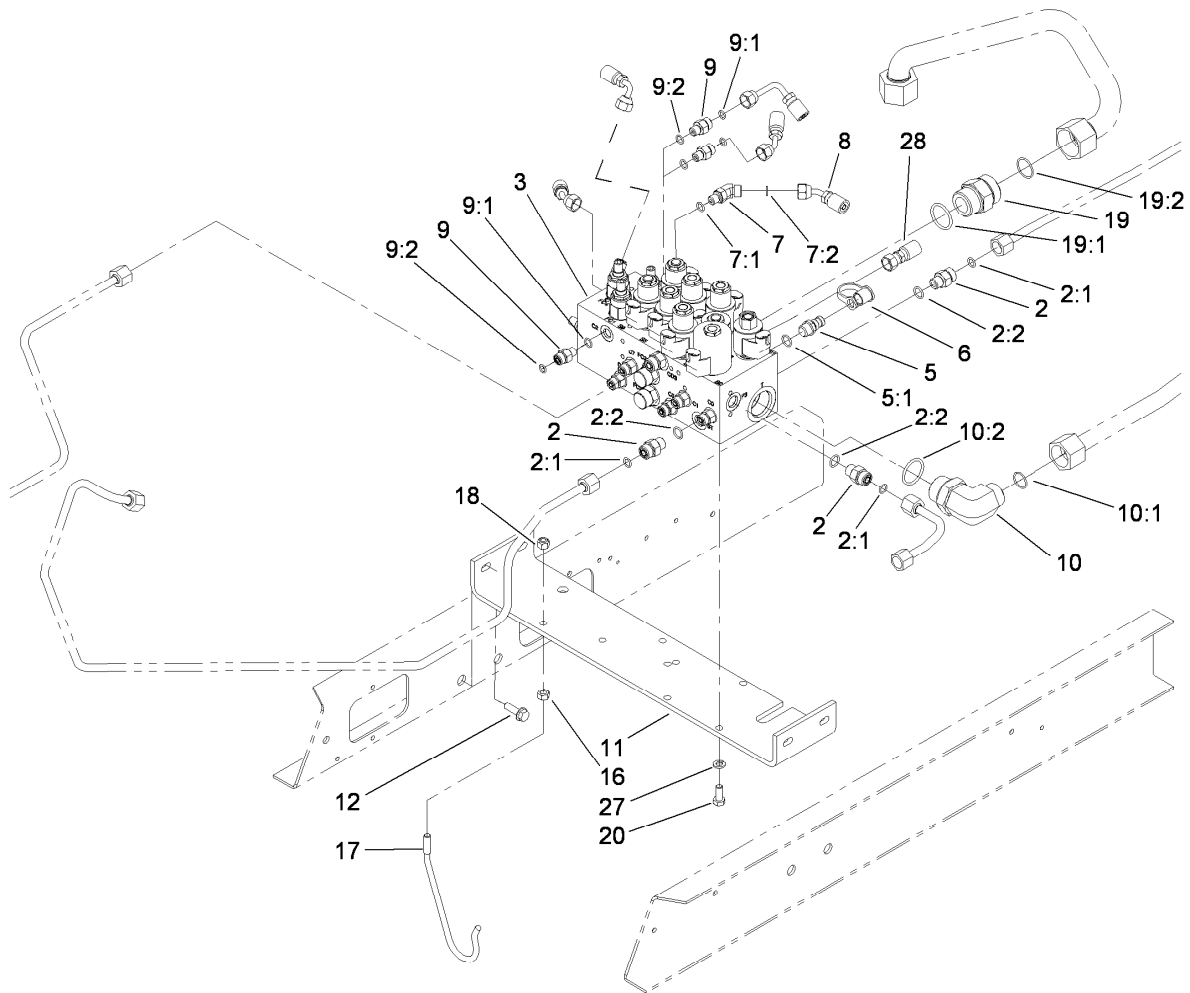
● Not illustrated



## Four Wheel Drive Valve Assembly No. 76-9970

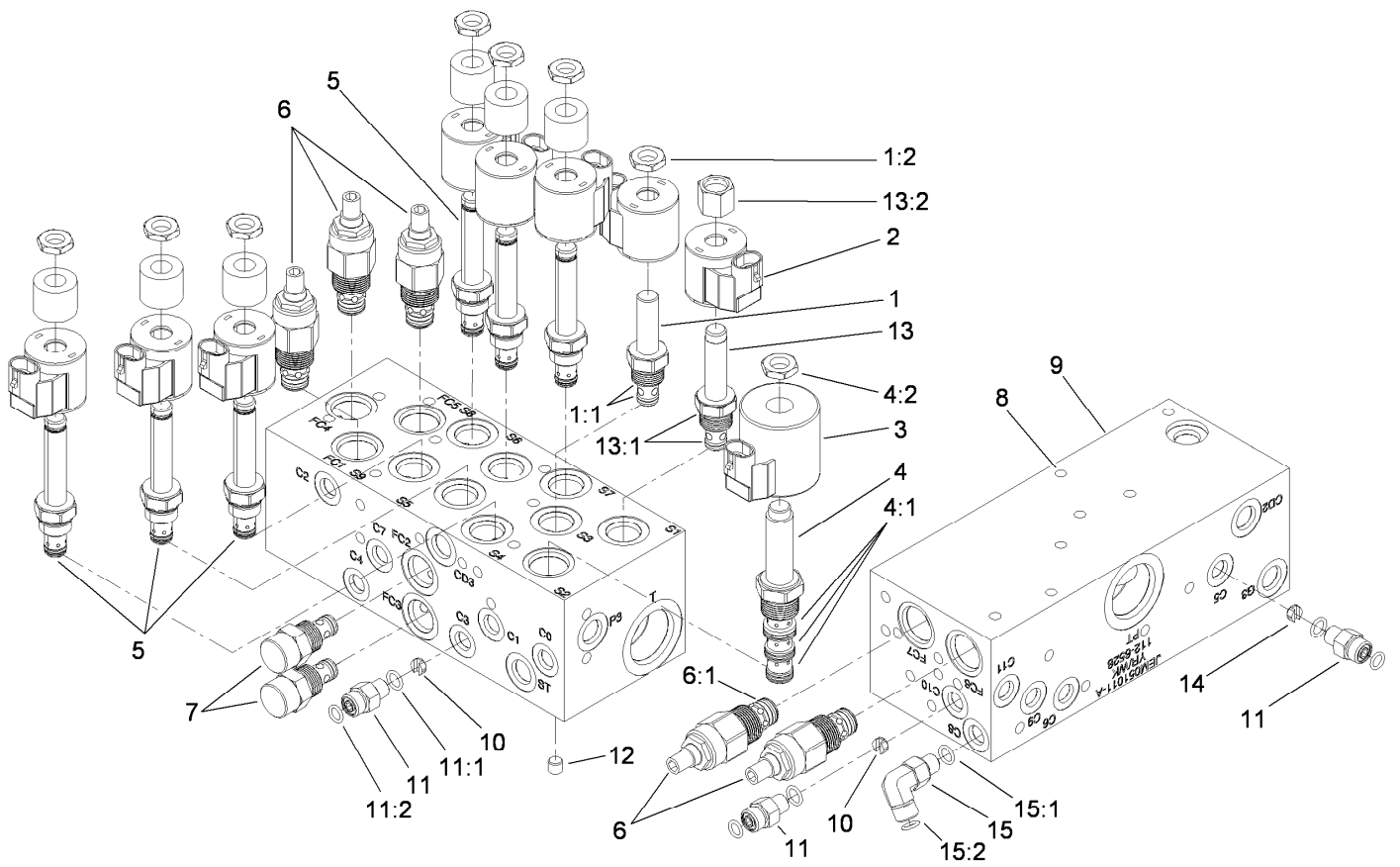
<i>Ref.</i>	<i>Part Number</i>	<i>Qty.</i>	<i>Description</i>
1	237-80	2	O-Ring
2	218-591	1	Coil ASM
3	218-592	1	Nut-Coil
4		1	Adapter ASM ●
5		1	Valve-Directional ●
6		1	Spool ●
7		1	Tube ASM ●

● Not serviced separately



## Front Hydraulic Control Block and Hose Assembly

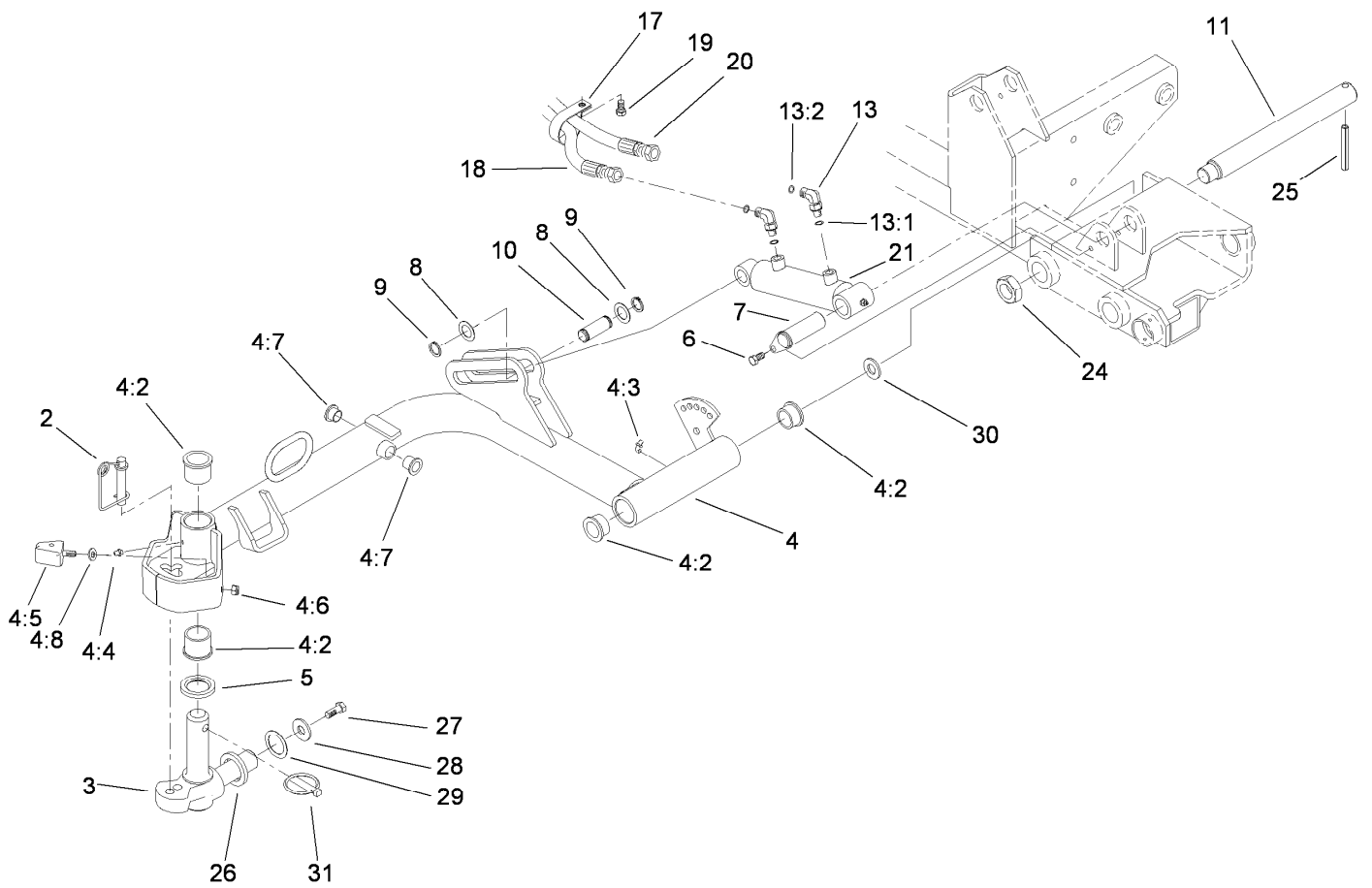
<i>Ref.</i>	<i>Part Number</i>	<i>Qty.</i>	<i>Description</i>	<i>Ref.</i>	<i>Part Number</i>	<i>Qty.</i>	<i>Description</i>
2	340-2	4	Fitting-Straight	10	340-15	1	Fitting-Elbow 90
2:1	237-22	1	O-Ring	10:1	237-58	1	O-Ring
2:2	237-42	1	O-Ring	10:2	237-146	1	O-Ring
3	112-6528	1	Lift Manifold ASM	11	112-6588-01	1	Bracket-Manifold Block
5	59-7410	1	Fitting-Diagnostic	12	3234-17	4	Screw-HHF
5:1	237-42	1	O-Ring	16	3217-6	1	Nut-Hex
6	354-79	1	Cap-Dust	17	115-2009	1	Hanger-Hose
7	340-103	1	Fitting-HYD, 45 DEG	18	3296-29	1	Nut-Lock, NI
7:1	237-78	1	O-Ring	19	104-3797	1	Fitting-Straight
7:2	237-21	1	O-Ring	19:1	237-146	1	O-Ring
8	98-4584	1	HYD Hose ASM	19:2	340-65	1	O-Ring
9	340-92	7	Fitting-Straight	20	322-3	3	Screw-HH
9:1	237-78	1	O-Ring	27	3253-4	3	Washer-Lock
9:2	237-21	1	O-Ring	28	104-3716	1	Hose-HYD



## Lift Manifold Assembly No. 112-6528

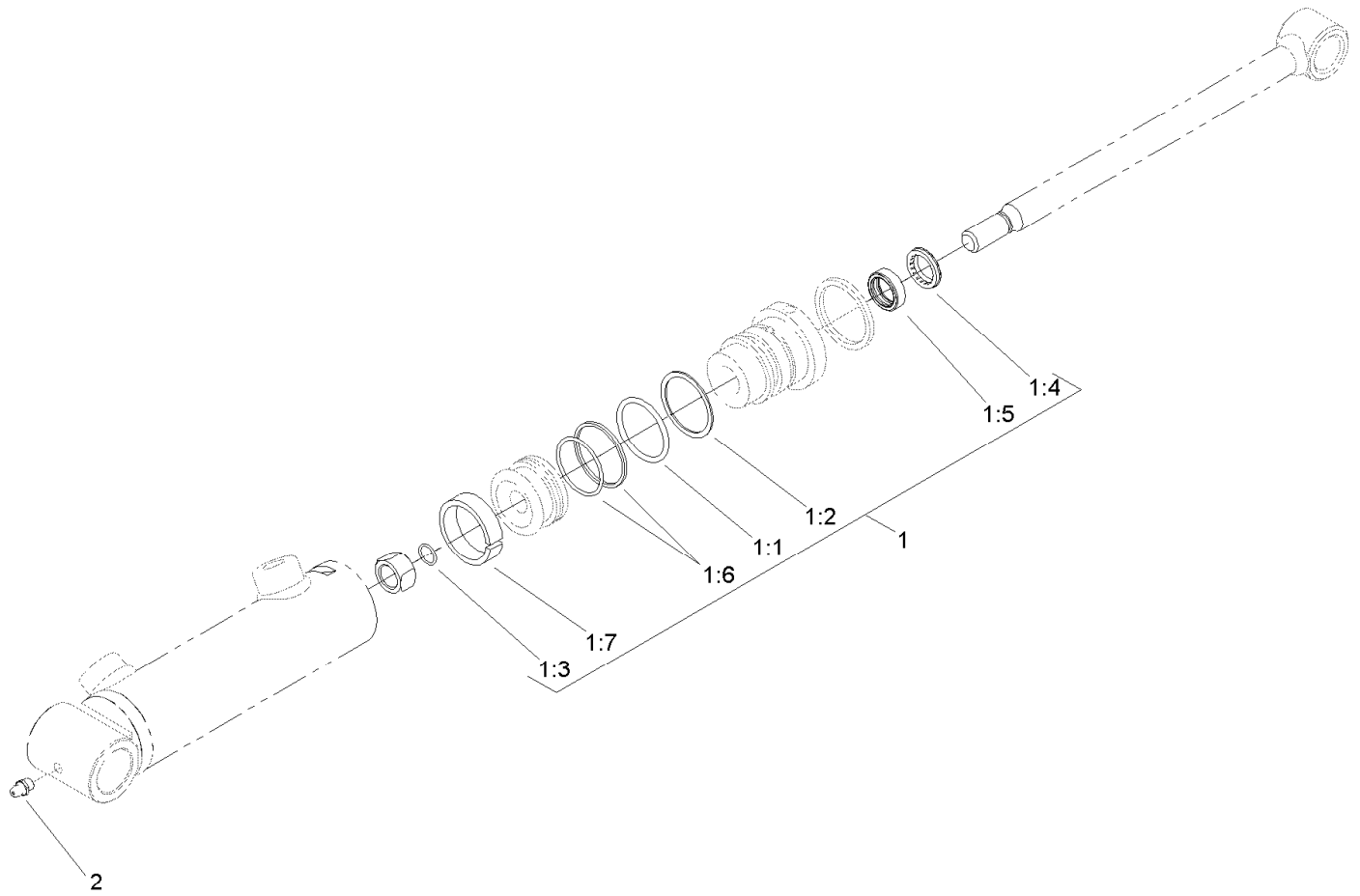
Ref.	Part Number	Qty.	Description	Ref.	Part Number	Qty.	Description
1	107-7516	1	Solenoid Valve ASM	9	115-2042	1	Manifold Block ●
1:1	105-9156	1	Seal Kit	10	340-92	3	Orifice-Control, Flow (.063)
1:2	110-2634	1	Nut-Coil	11	237-78	1	Fitting-Straight
2	110-0497	8	Coil-Solenoid	11:1	237-21	1	O-Ring
3	110-6344	1	Coil-12V, DC	11:2		1	O-Ring
4	110-8906	1	Valve-Solenoid	12		1	Plug-Zero Leak ●
4:1	110-8908	1	Spool Valve Seal Kit	13	107-7517	1	Valve-Solenoid
4:2	110-2634	1	Nut-Coil	13:1	105-9156	1	Seal Kit
5	115-2041	6	Valve-Solenoid, Blocking	13:2	107-7812	1	Nut-Solenoid
6	112-9208	5	Valve-Control, Flow	14	115-2043	1	Orifice-Control, Flow (.100)
6:1	110-2633	1	Seal Kit	15	340-132	1	Fitting-Elbow, 90 DEG
7	110-9748	2	Valve-Control, Flow	15:1	237-78	1	O-Ring
8		32	Plug-Expander ●	15:2	237-21	1	O-Ring

● Not serviced separately



## Front No. 1 Lift Arm Assembly

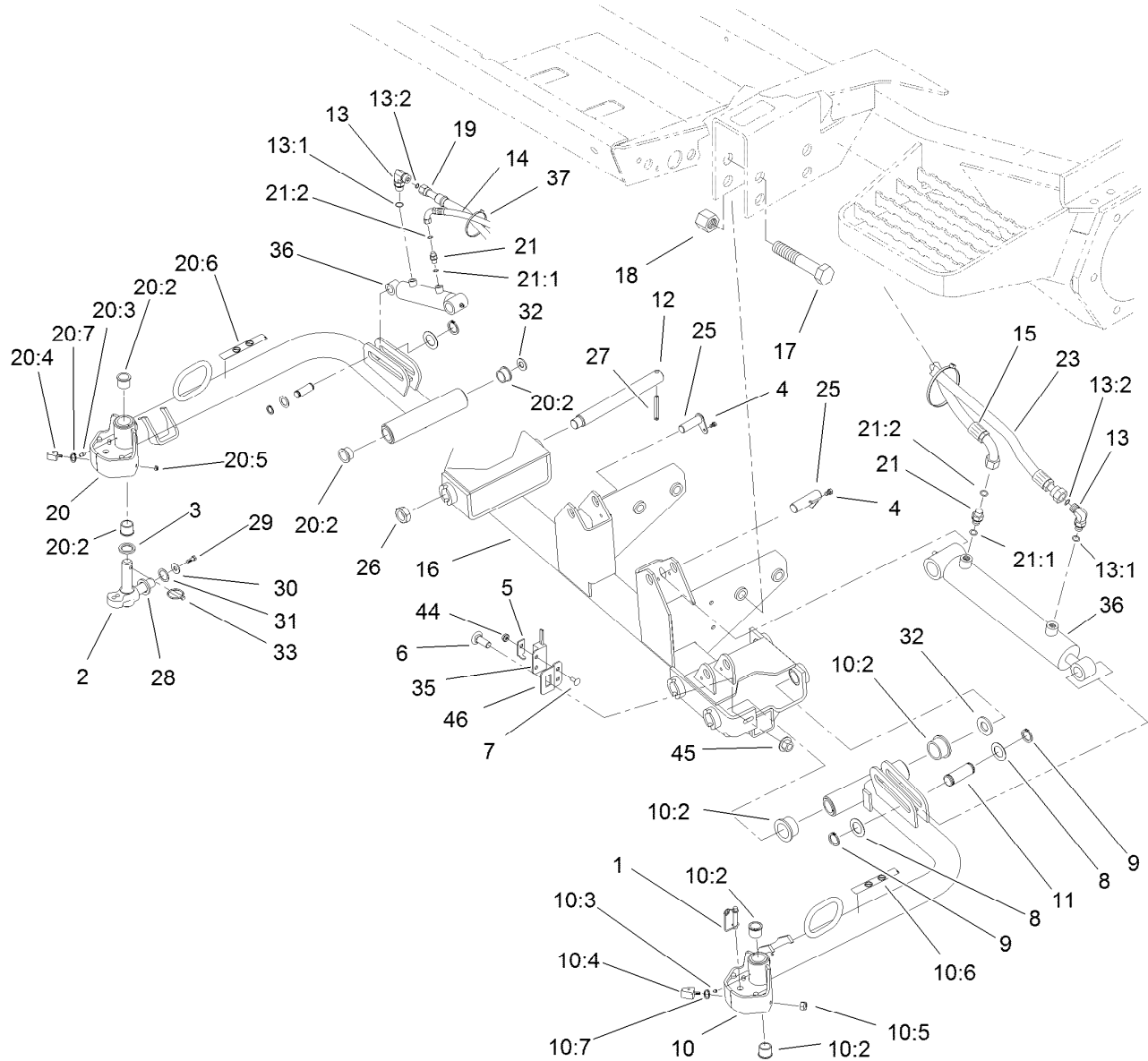
Ref.	Part Number	Qty.	Description	Ref.	Part Number	Qty.	Description
2	99-5610	1	Pin	13	340-132	2	Fitting-Elbow, 90 DEG
3	98-1880-03	1	Knuckle-Pivot	13:1	237-78	1	O-Ring
4	105-3366	1	No. 1 Lift Arm ASM	13:2	237-21	1	O-Ring
4:2	104-0015	4	Bushing-Flange	17	2412-96	1	Clamp-R
4:3	302-60	1	Fitting-Grease	18	115-2024	1	HYD Hose ASM
4:4	302-5	1	Fitting-Grease	19	322-4	1	Screw-HH
4:5	106-9004	2	Bumper	20	112-6589	1	HYD Hose ASM
4:6	3296-29	2	Nut-Lock, NI	21	108-4437	1	HYD Lift Cylinder ASM
4:7	256-287	2	Bushing	24	3296-49	1	Nut-Lock, NI
4:8	3255-8	2	Washer-Lock	25	32121-110	1	Pin-Roll, Slotted
5	94-8946	1	Washer-Thrust	26	98-7974	1	Washer-Thrust
6	32144-14	1	Screw-HWHTF	27	98-7993	1	Screw-HHF
7	106-9208	1	Short Cylinder Pin ASM	28	3256-6	1	Washer-Flat
8	94-9998	2	Washer-Thrust	29	3-6781	1	Washer-Thrust
9	94-9974	2	Ring-Retaining	30	76-2980	3	Washer-Thrust
10	75-5350	1	Pin-Slide, Cylinder	31	283-71	1	Pin-Lynch
11	95-7158	1	Pin-Pivot				



## Lift Cylinder Assembly No. 108-4437

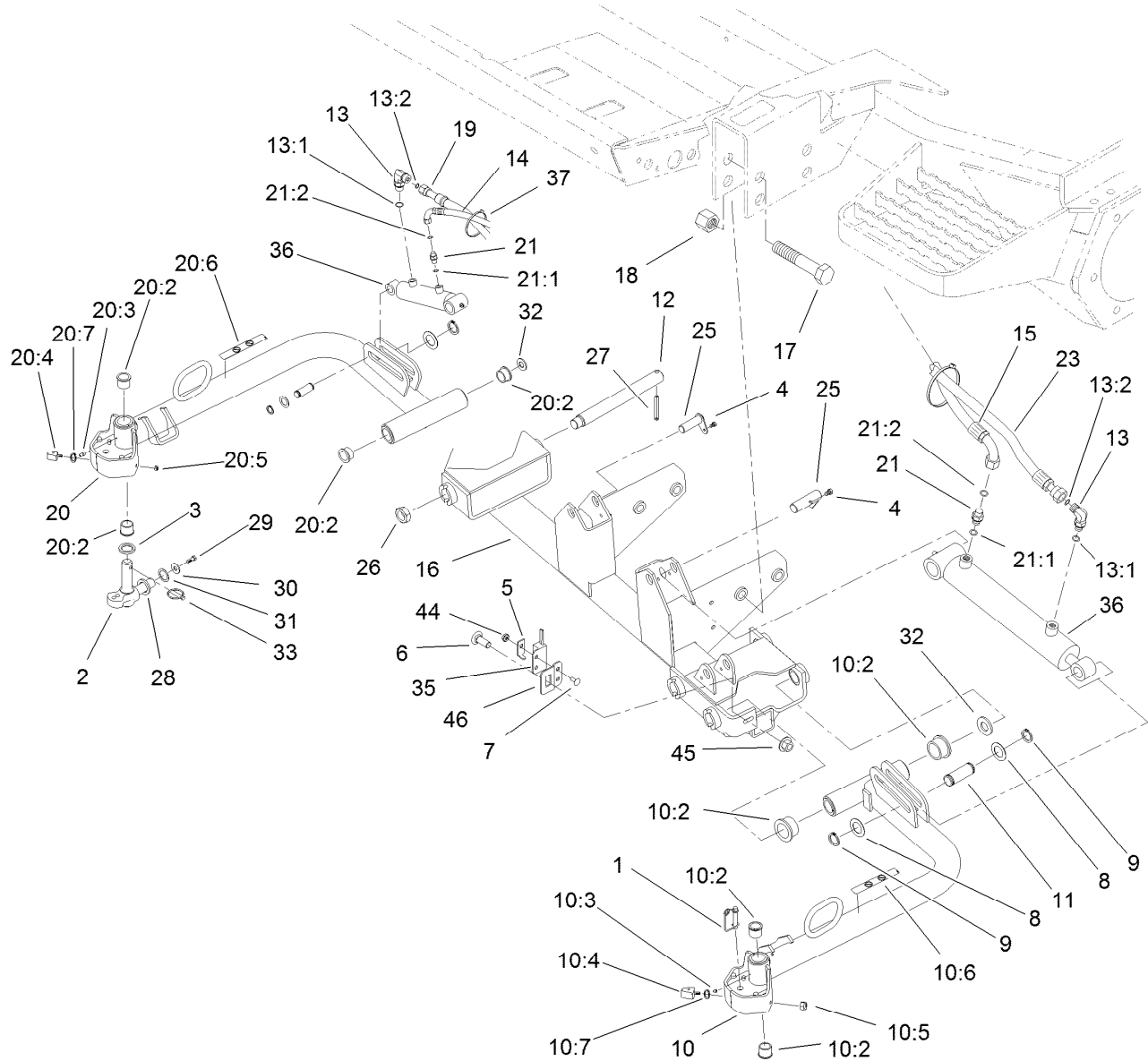
<i>Ref.</i>	<i>Part Number</i>	<i>Qty.</i>	<i>Description</i>
1	110-4132	1	Seal Kit
1:1		1	O-Ring ●
1:2		1	Back-Up Ring ●
1:3		1	O-Ring ●
1:4		1	Wiper ●
1:5		1	Seal ●
1:6		1	Seal W/Loader ●
1:7		1	Wear Ring ●
2	302-5	1	Fitting-Grease

● Not serviced separately



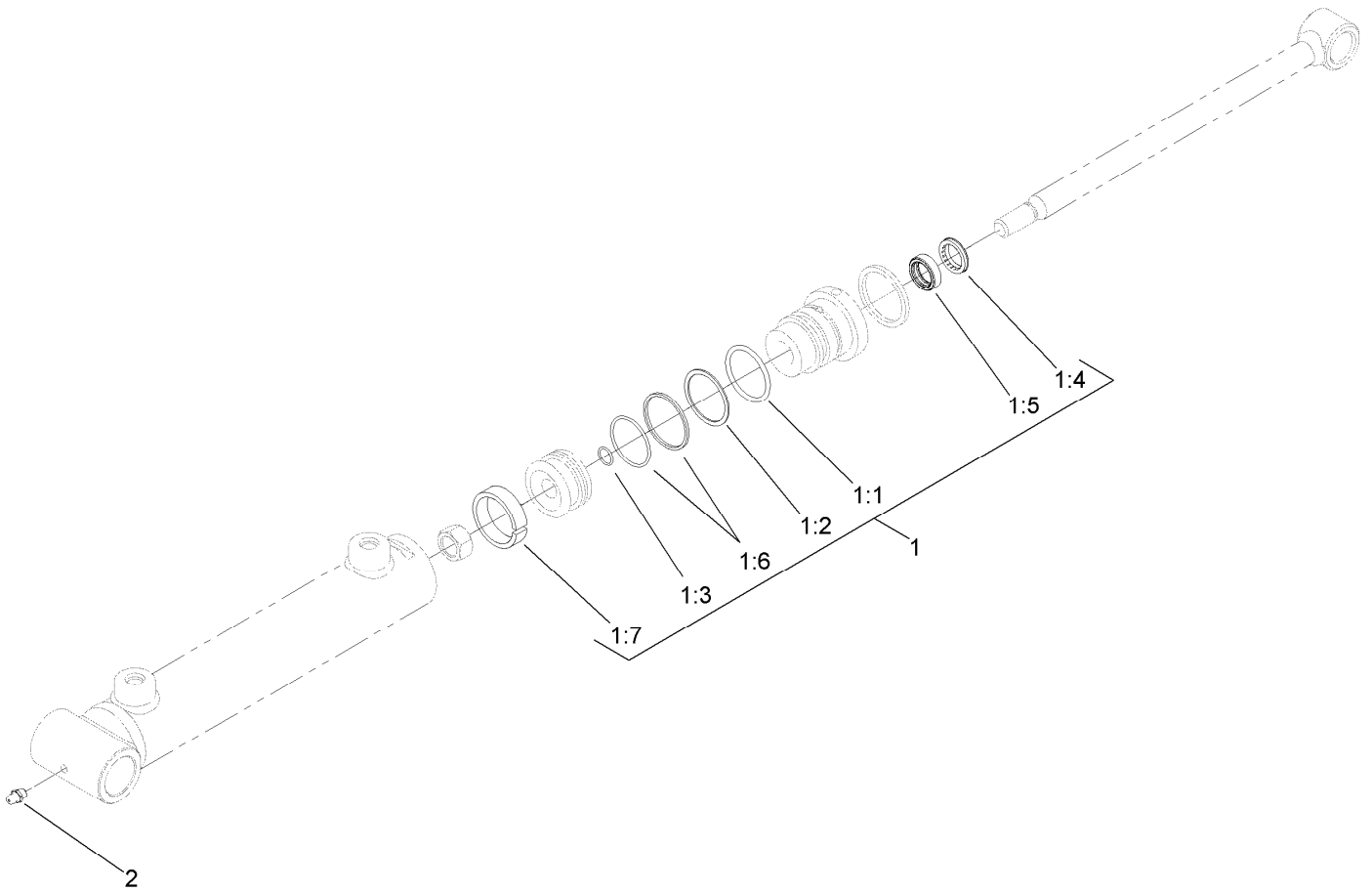
## Front No. 4 and No. 5 Lift Arm Assembly

Ref.	Part Number	Qty.	Description	Ref.	Part Number	Qty.	Description
1	99-5610	2	Pin	14	105-7948	1	Hyd Hose ASM
2	98-1880-03	2	Knuckle-Pivot	15	105-7945	1	Hyd Hose ASM
3	94-8946	2	Washer-Thrust	16	105-3347-03	1	Frame-Carrier, Front
4	32144-14	2	Screw-HWHTF	17	328-7	4	Screw-HH
5	100-4872	1	Plate-Switch, Neutral	18	3296-51	4	Nut-Lock, NI
6	3231-22	1	Screw-CARR	19	115-2026	1	HYD Hose ASM
7	104-1450	1	Bolt-CARR	20	105-0110	1	No. 5 Lift Arm ASM
8	94-9998	4	Washer-Thrust	20:2	104-0015	4	Bushing-Flange
9	94-9974	4	Ring-Retaining	20:3	302-5	2	Fitting-Grease
10	105-3359	1	No. 4 Lift Arm ASM	20:4	106-9004	2	Bumper
10:2	104-0015	4	Bushing-Flange	20:5	3296-29	2	Nut-Lock, NI
10:3	302-5	2	Fitting-Grease	20:6	93-6687	1	Decal-No Step
10:4	106-9004	2	Bumper	20:7	3255-8	2	Washer-Lock
10:5	3296-29	2	Nut-Lock, NI	21	340-92	2	Fitting-Straight
10:6	93-6687	1	Decal-No Step	21:1	237-78	1	O-Ring
10:7	3255-8	2	Washer-Lock	21:2	237-21	1	O-Ring
11	75-5350	2	Pin-Slide, Cylinder	23	92-1718	1	Hose ASM
12	95-7158	2	Pin-Pivot	25	125-1906	2	Pin-Cylinder
13	340-132	2	Fitting-Elbow, 90 DEG	26	3296-49	2	Nut-Lock, NI
13:1	237-78	1	O-Ring	27	32121-110	2	Pin-Roll, Slotted
13:2	237-21	1	O-Ring	28	98-7974	2	Washer-Thrust



## Front No. 4 and No. 5 Lift Arm Assembly (continued)

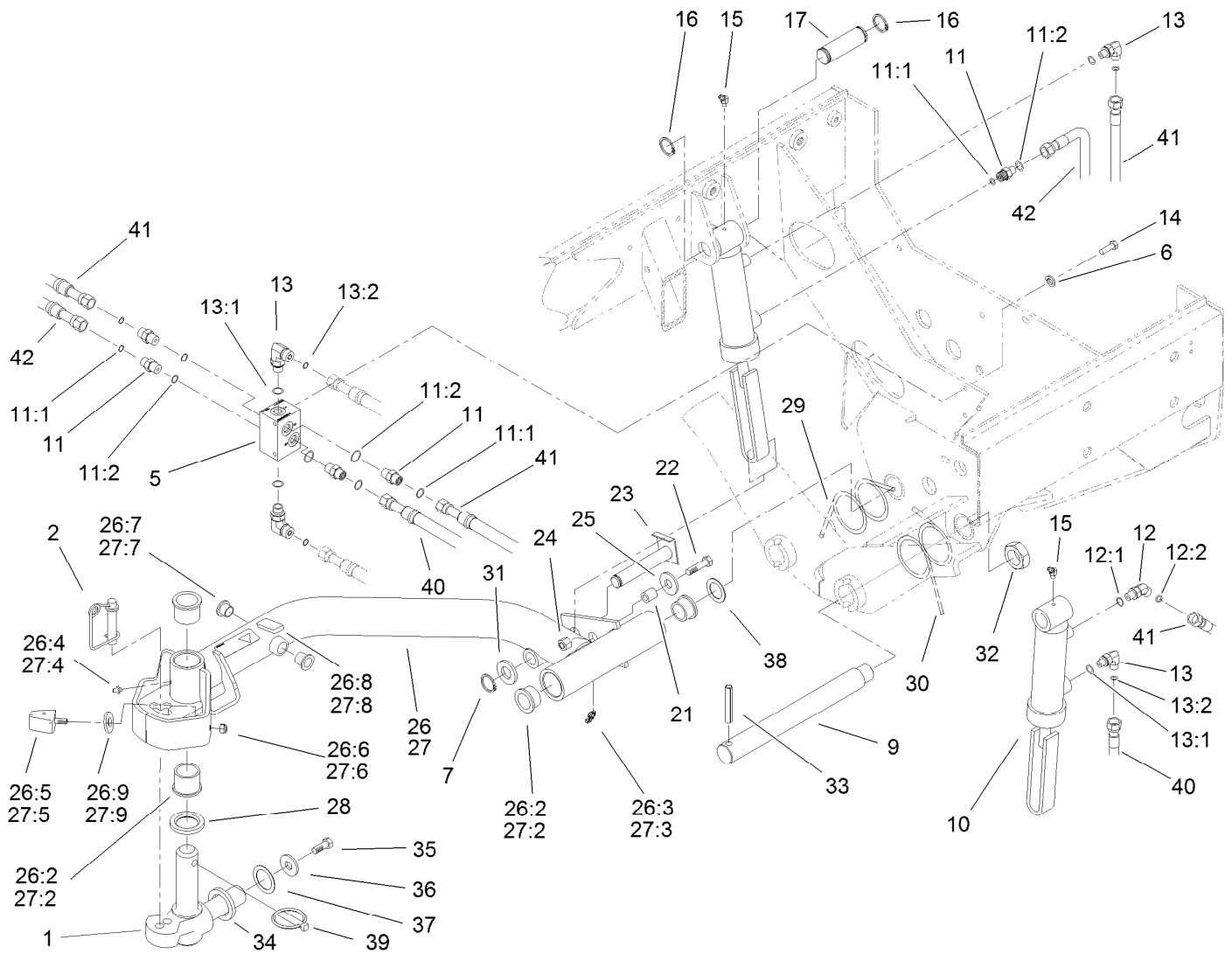
<i>Ref.</i>	<i>Part Number</i>	<i>Qty.</i>	<i>Description</i>	<i>Ref.</i>	<i>Part Number</i>	<i>Qty.</i>	<i>Description</i>
29	98-7993	2	Screw-HHF	36	110-9709	2	HYD Cylinder ASM
30	3256-6	2	Washer-Flat	37	3290-378	2	Tie-Cable
31	3-6781	2	Washer-Thrust	44	32149-7	1	Nut-Keps
32	76-2980	6	Washer-Thrust	45	32128-43	1	Nut-Flange
33	283-71	2	Pin-Lynch	46	105-3351	1	Bracket-Switch
35	100-1270	1	Switch-Proximity				



## Hydraulic Cylinder Assembly No. 110-9709

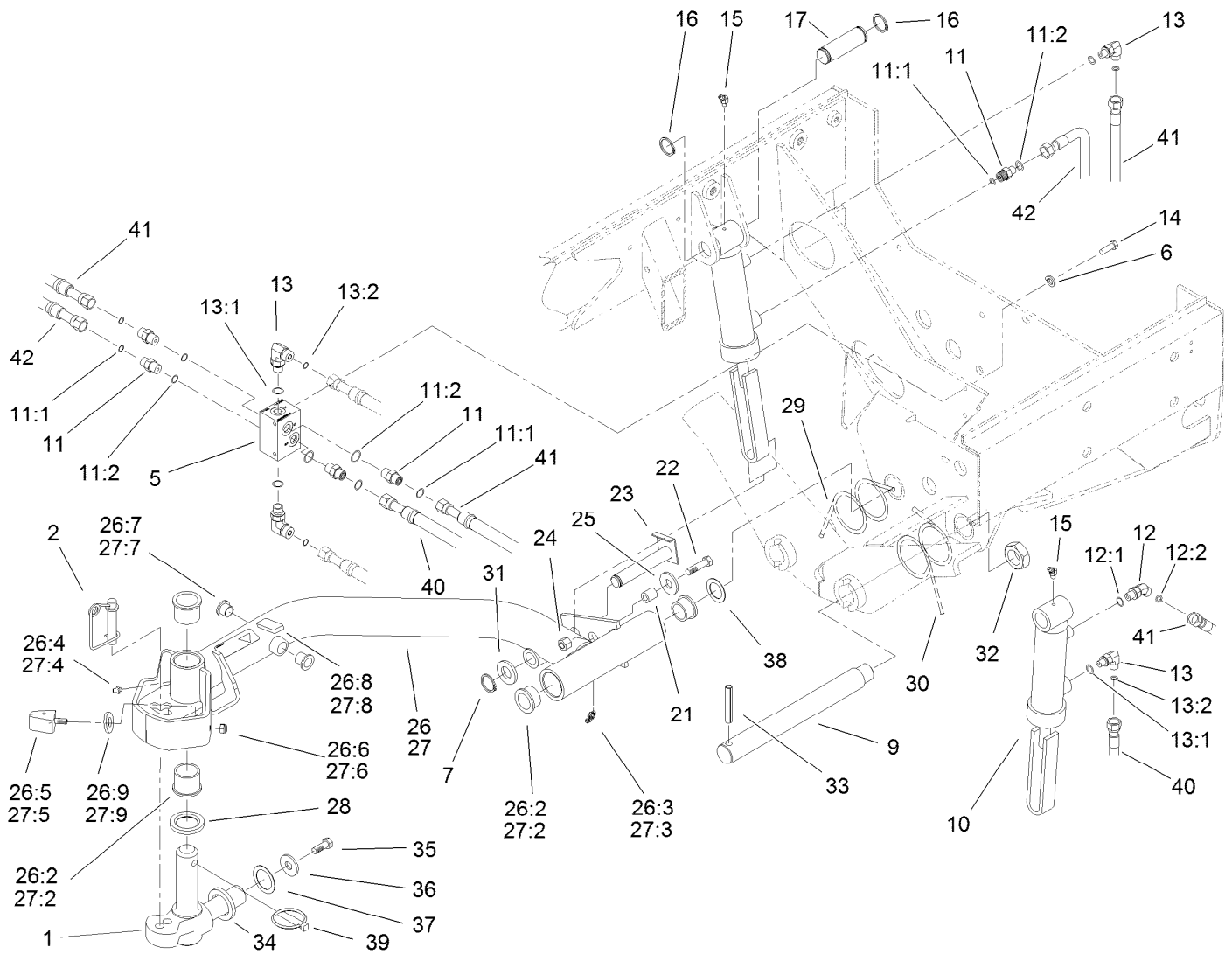
<i>Ref.</i>	<i>Part Number</i>	<i>Qty.</i>	<i>Description</i>
1	110-4132	1	Seal Kit
1:1		1	O-Ring ●
1:2		1	Back-Up Ring ●
1:3		1	O-Ring ●
1:4		1	Wiper ●
1:5		1	Seal ●
1:6		1	Seal W/Loader ●
1:7		1	Wear Ring ●
2	302-5	1	Fitting-Grease

● Not serviced separately



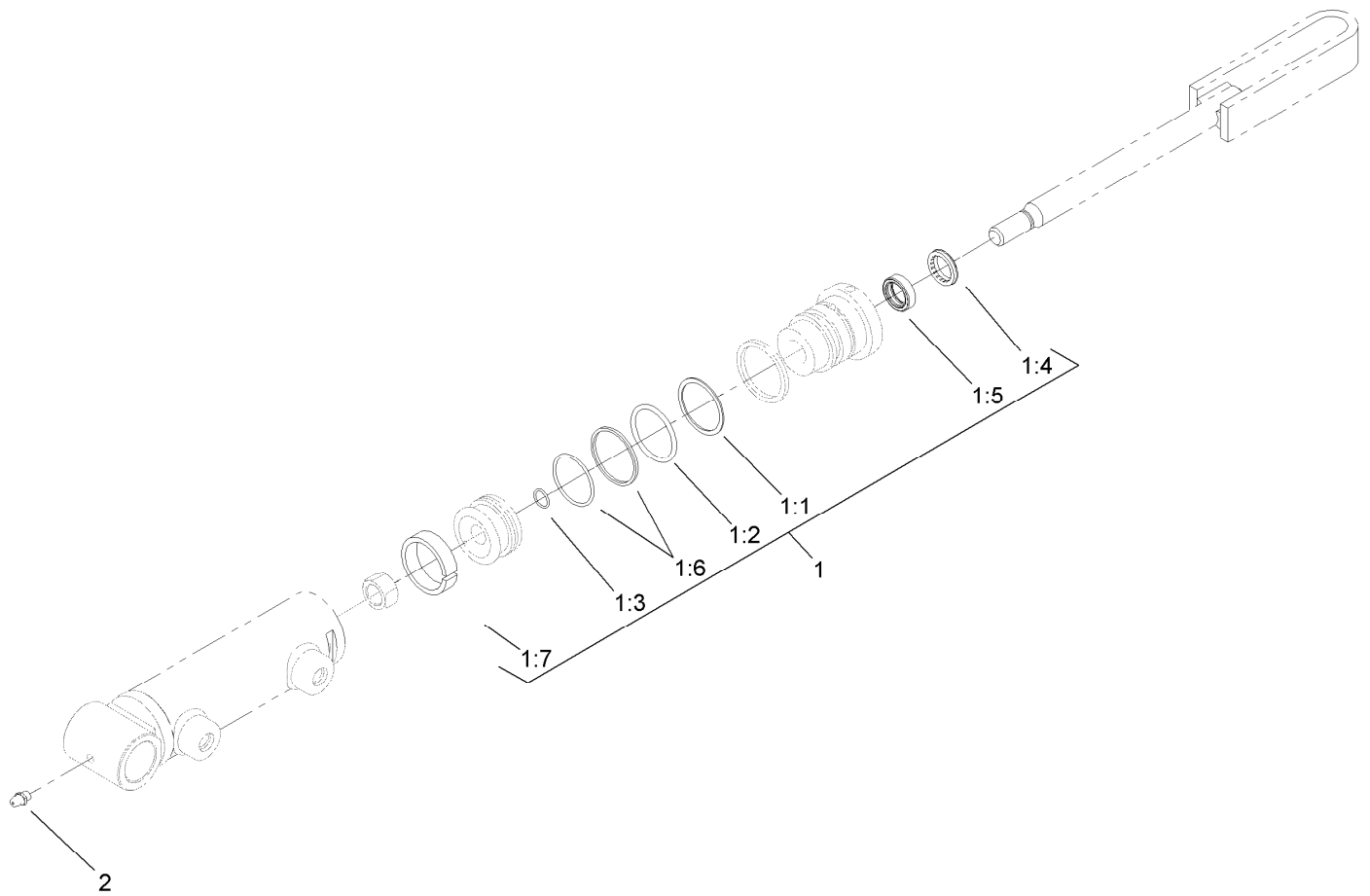
## Rear No. 2 and No. 3 Lift Arm Assembly

Ref.	Part Number	Qty.	Description	Ref.	Part Number	Qty.	Description
1	98-1880-03	2	Knuckle-Pivot	22	322-7	2	Screw-HH
2	99-5610	2	Pin	23	99-2560	2	Pin
5	114-3963	1	Manifold-Flow Divider	24	3296-29	2	Nut-Lock, NI
6	3253-3	2	Washer-Lock	25	3256-3	2	Washer-Flat
7	94-9974	2	Ring-Retaining	26	105-3363	1	No. 3 Lift Arm ASM
9	95-7158	2	Pin-Pivot	26:2	104-0015	4	Bushing-Flange
10	108-4438	2	HYD Lift Cylinder ASM	26:3	302-11	1	Fitting-Lube, 45 DEG
11	340-92	5	Fitting-Straight	26:4	302-5	1	Fitting-Grease
11:1	237-78	1	O-Ring	26:5	106-9004	2	Bumper
11:2	237-21	1	O-Ring	26:6	3296-29	2	Nut-Lock, NI
12	340-103	1	Fitting-HYD, 45 DEG	26:7	256-287	2	Bushing
12:1	237-78	1	O-Ring	26:8	93-6696	1	Decal-Warning
12:2	237-21	1	O-Ring	26:9	3255-8	2	Washer-Lock
13	340-132	4	Fitting-Elbow, 90 DEG	27	105-3362	1	No. 2 Lift Arm ASM
13:1	237-78	1	O-Ring	27:2	104-0015	4	Bushing-Flange
13:2	237-21	1	O-Ring	27:3	302-11	1	Fitting-Lube, 45 DEG
14	321-4	2	Screw-HH	27:4	302-5	1	Fitting-Grease
15	302-11	2	Fitting-Lube, 45 DEG	27:5	106-9004	2	Bumper
16	32151-36	4	Ring-Retaining	27:6	3296-29	2	Nut-Lock, NI
17	92-7548	2	Pin-Cylinder	27:7	256-287	2	Bushing
21	82-6840	2	Spacer	27:8	93-6696	1	Decal-Warning



## Rear No. 2 and No. 3 Lift Arm Assembly (continued)

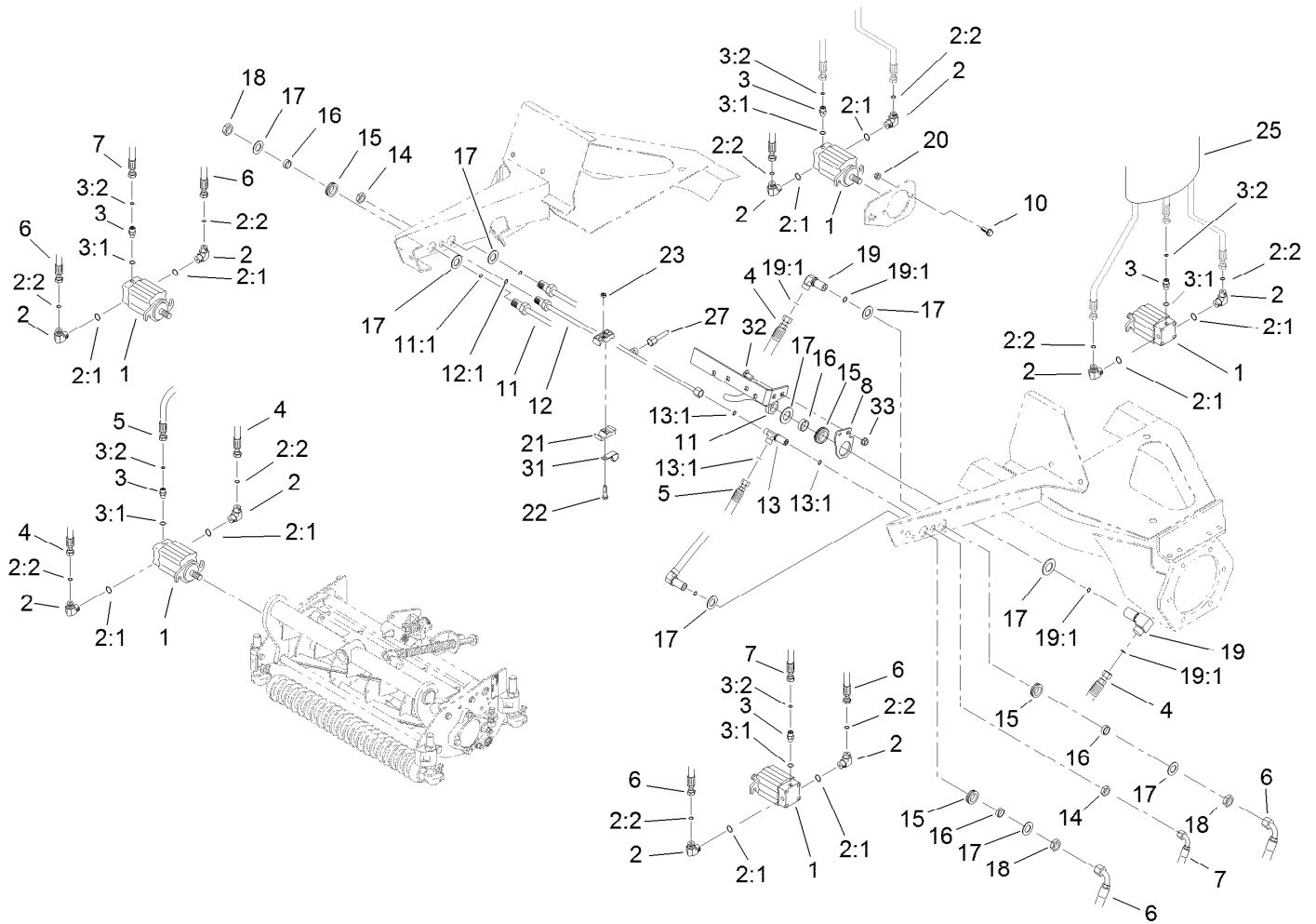
Ref.	Part Number	Qty.	Description	Ref.	Part Number	Qty.	Description
27:9	3255-8	2	Washer-Lock	35	98-7993	2	Screw-HHF
28	94-8946	2	Washer-Thrust	36	3256-6	2	Washer-Flat
29	99-5608-03	1	Spring-Torsion, RH	37	3-6781	2	Washer-Thrust
30	99-5609-03	1	Spring-Torsion, LH	38	76-2980	2	Washer-Thrust
31	67-6570	2	Spacer-Wheel	39	283-71	2	Pin-Lynch
32	3296-49	2	Nut-Lock, NI	40	105-7919	1	Hyd Hose ASM
33	32121-110	2	Pin-Roll, Slotted	41	115-2019	2	HYD Hose ASM
34	98-7974	2	Washer-Thrust	42	115-2018	1	HYD Hose ASM



## Hydraulic Cylinder Assembly No. 108-4438

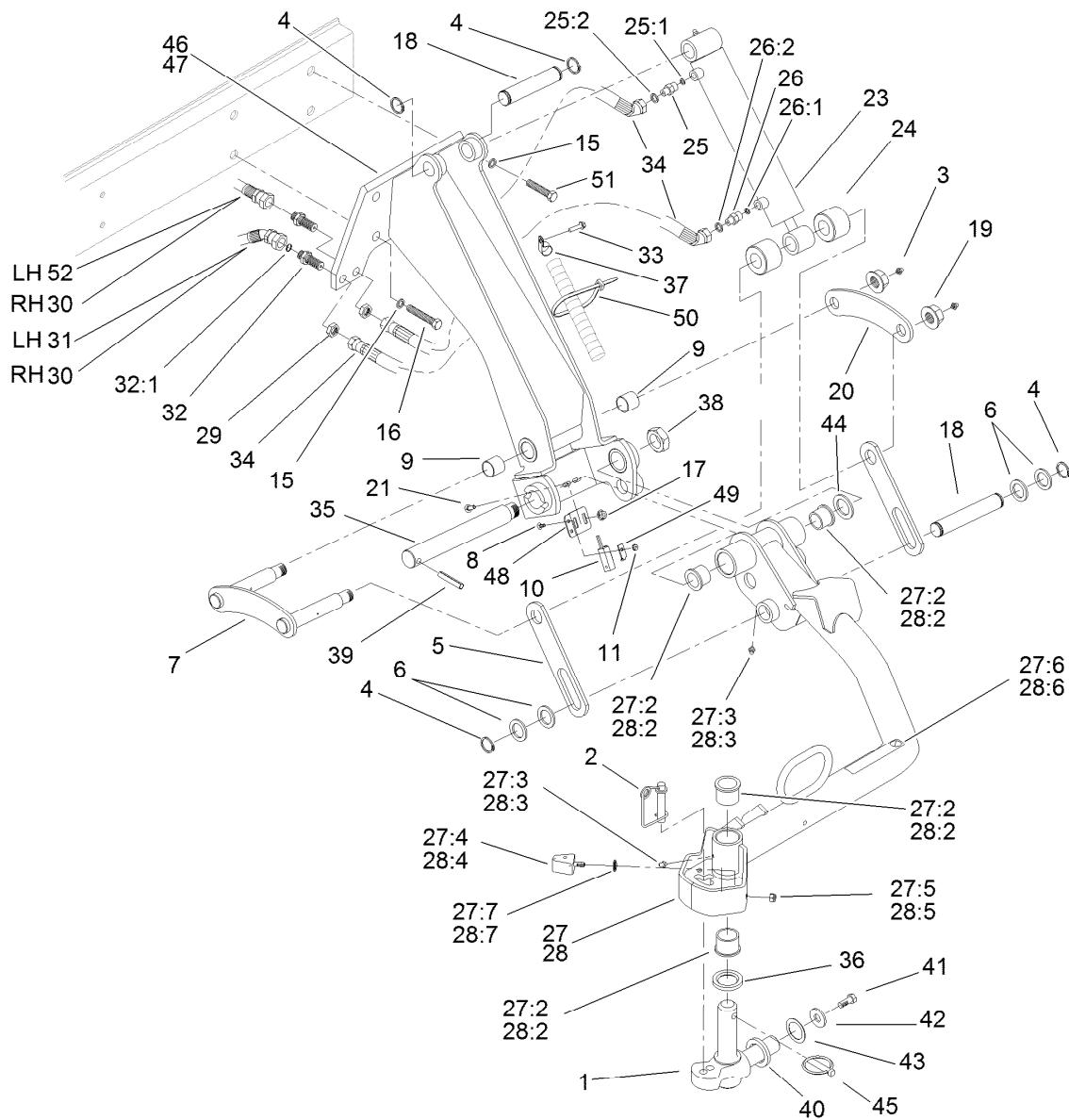
<i>Ref.</i>	<i>Part Number</i>	<i>Qty.</i>	<i>Description</i>
1	110-4132	1	Seal Kit
1:1		1	O-Ring ●
1:2		1	Back-Up Ring ●
1:3		1	O-Ring ●
1:4		1	Wiper ●
1:5		1	Seal ●
1:6		1	Seal W/Loader ●
1:7		1	Wear Ring ●
2	302-5	1	Fitting-Grease

● Not serviced separately



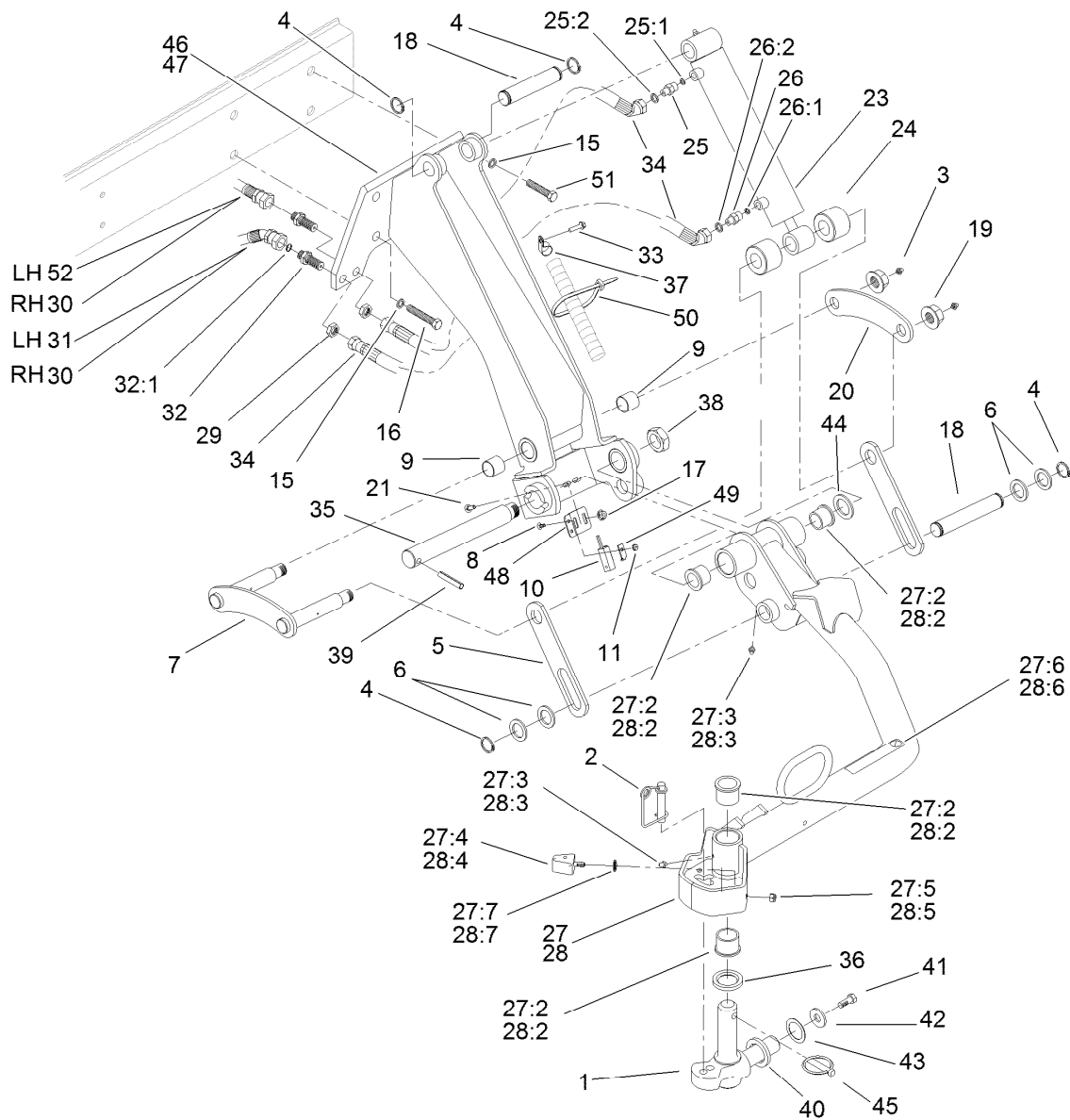
## Reel Motor Assembly

Ref.	Part Number	Qty.	Description	Ref.	Part Number	Qty.	Description
1	120-6272	5	HYD Motor ASM	13:1	237-22	3	O-Ring
2	340-98	10	Fitting-Elbow, 90 DEG	14	340-70	2	Nut-Lock
2:1	237-79	1	O-Ring	15	240-5	5	Grommet
2:2	237-30	1	O-Ring	16	69-8960	5	Spacer
3	340-92	5	Fitting-Straight	17	69-8930	10	Washer
3:1	237-78	1	O-Ring	18	340-127	5	Nut-Bulkhead
3:2	237-21	1	O-Ring	19	93-9151	2	Fitting-HYD
4	105-7902	2	HYD Hose ASM	19:1	237-30	2	O-Ring
5	92-7560	1	HYD Hose ASM	20	32128-43	14	Nut-Flange
6	105-7901	4	HYD Hose ASM	21	56-7972	4	Clamp-Tube
7	92-7559	2	HYD Hose ASM	22	115-1794	2	Screw-HHF
8	106-7788-03	1	Mount-Fitting	23	104-8300	2	Nut-HF, NI
10	3234-11	14	Screw-HHF	25	99-5617	5	Sleeve-Protective
11	93-4219	1	Tube ASM	27	112-6579	1	Drain Tube ASM
11:1	237-30	1	O-Ring	31	2412-150	1	Clip-J
12	108-6063	1	Front Drain Tube ASM	32	3230-23	2	Bolt-CARR
12:1	237-22	2	O-Ring	33	32128-20	2	Nut-HF
13	340-68	1	Fitting-Tee, Bulkhead				



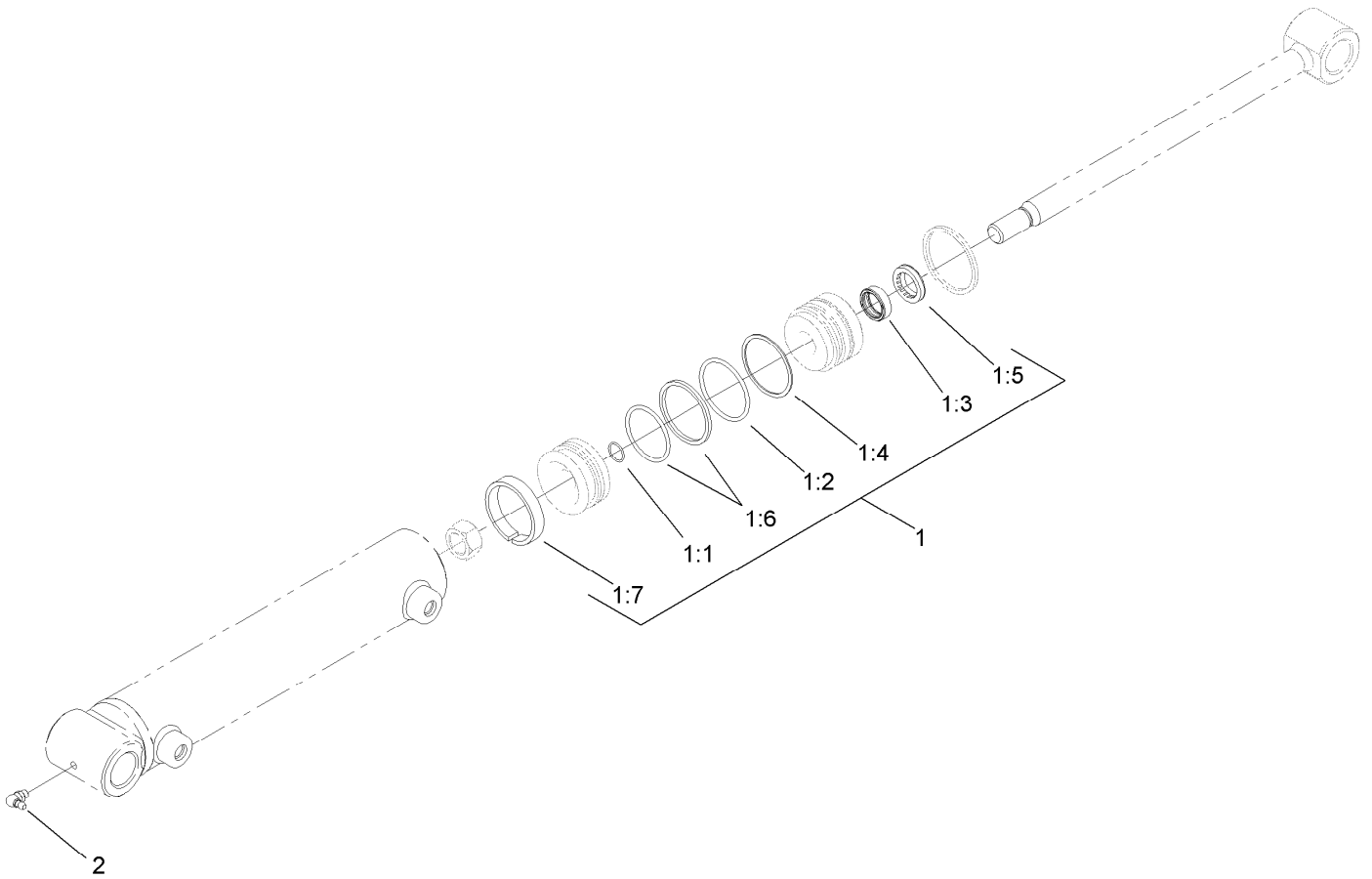
## Rear No. 6 and No. 7 Lift Arm Assembly

Ref.	Part Number	Qty.	Description	Ref.	Part Number	Qty.	Description
1	98-1880-03	2	Knuckle-Pivot	25:1	237-78	1	O-Ring
2	99-5610	2	Pin	25:2	237-21	1	O-Ring
3	302-2	4	Fitting-Grease	26	94-1449	2	Fitting-STR,Orif
4	32151-36	8	Ring-Retaining	26:1	237-78	1	O-Ring
5	93-2704-03	4	Link-Left	26:2	237-21	1	O-Ring
6	10-8110	8	Washer-Thrust	27	105-3358	1	No. 7 Lift Arm ASM
7	98-8823	2	Link	27:2	104-0015	4	Bushing-Flange
8	104-1450	2	Bolt-CARR	27:3	302-5	2	Fitting-Grease
9	67-1750	4	Bushing	27:4	106-9004	2	Bumper
10	100-1270	2	Switch-Proximity	27:5	3296-29	2	Nut-Lock, NI
11	32149-7	2	Nut-Keps	27:6	93-6687	1	Decal-No Step
15	99-7667	8	Washer-Flat	27:7	3255-8	2	Washer-Lock
16	327-5	6	Screw-HH	28	105-3357	1	No. 6 Lift Arm ASM
17	32128-33	4	Nut-HF	28:2	104-0015	4	Bushing-Flange
18	93-2699	4	Pin	28:3	302-5	2	Fitting-Grease
19	33029-00	4	Nut-Lock, NI	28:4	106-9004	2	Bumper
20	98-8821	2	Link-Rear	28:5	3296-29	2	Nut-Lock, NI
21	3229-28	4	Screw-CARR	28:6	93-6687	1	Decal-No Step
23	108-4440	2	HYD Lift Cylinder ASM	28:7	3255-8	2	Washer-Lock
24	93-2700	4	Roller-Plastic	29	340-78	4	Nut-Lock
25	340-92	2	Fitting-Straight	30	115-2029	2	HYD Hose ASM



## Rear No. 6 and No. 7 Lift Arm Assembly (continued)

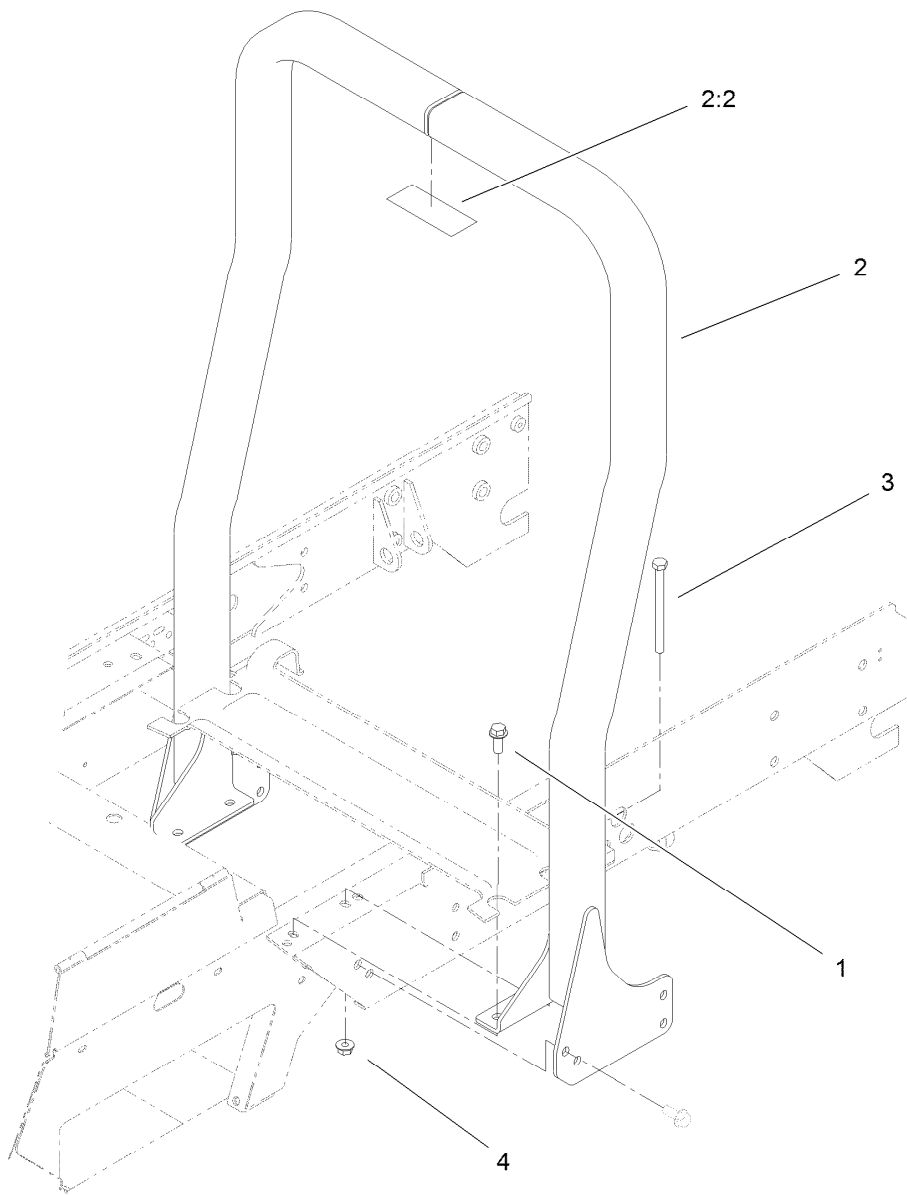
Ref.	Part Number	Qty.	Description	Ref.	Part Number	Qty.	Description
31	115-2027	1	HYD Hose ASM	42	3256-6	2	Washer-Flat
32	94-1444	4	Union-Bulkhead	43	3-6781	2	Washer-Thrust
32:1	237-21	2	O-Ring	44	76-2980	2	Washer-Thrust
33	32144-11	6	Screw-HWH	45	283-71	2	Pin-Lynch
34	92-7643	4	HYD Hose ASM	46	105-3342-03	1	No. 7 Support Arm ASM
35	98-8826	2	Pin-Pivot	47	105-3341-03	1	No. 6 Support Arm ASM
36	94-8946	2	Washer-Thrust	48	105-3343	2	Bracket-Switch
37	2412-93	6	Clamp-R	49	100-4872	2	Plate-Switch, Neutral
38	3296-49	2	Nut-Lock, NI	50	3290-378	2	Tie-Cable
39	32121-110	2	Pin-Roll, Slotted	51	327-4	2	Screw-HH
40	98-7974	2	Washer-Thrust	52	115-2028	1	HYD Hose ASM
41	98-7993	2	Screw-HHF				



## Hydraulic Cylinder Assembly No. 108-4440

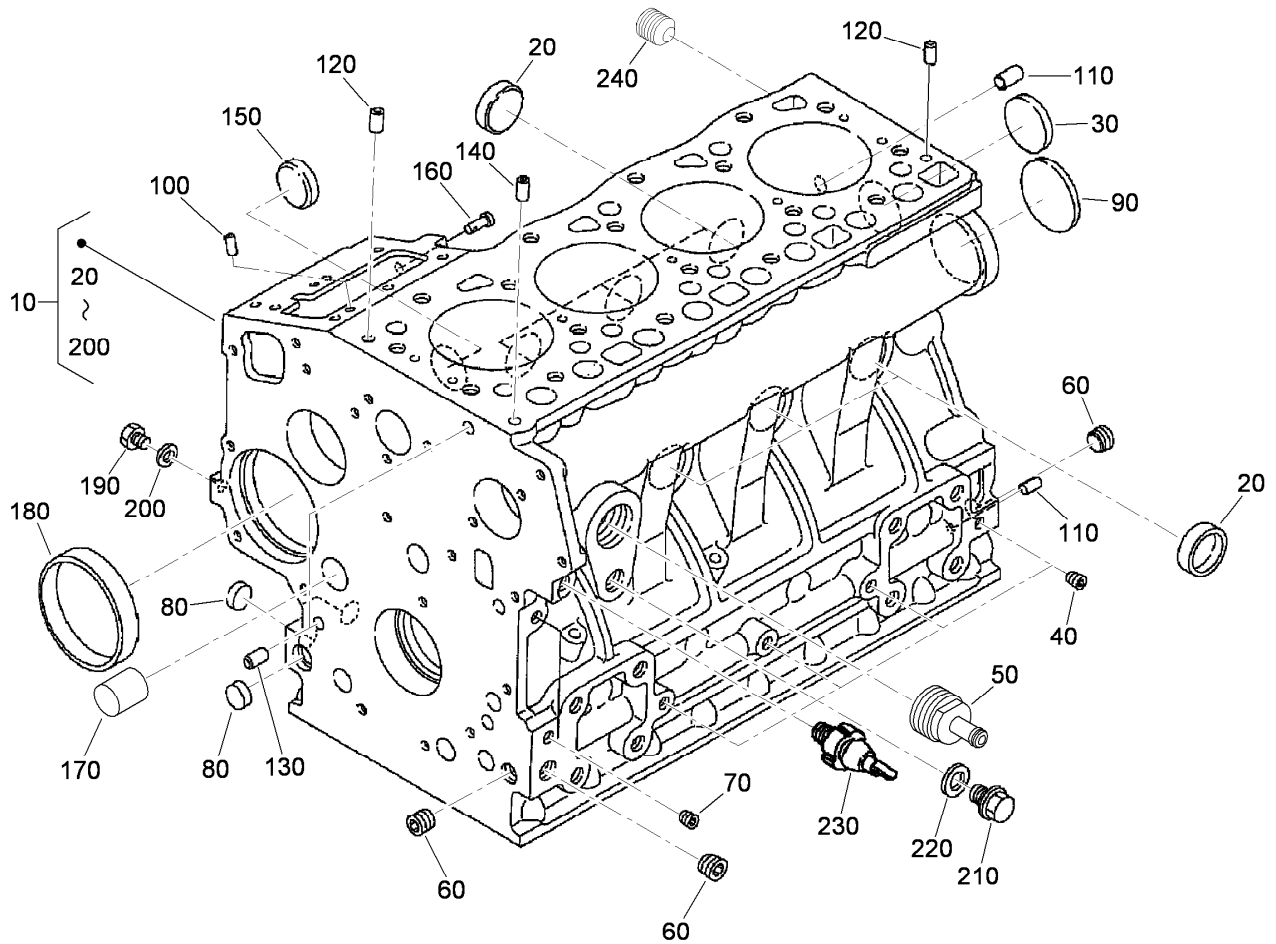
<i>Ref.</i>	<i>Part Number</i>	<i>Qty.</i>	<i>Description</i>
1	107-2564	1	Seal Kit
1:1		1	O-Ring ●
1:2		1	O-Ring ●
1:3		1	Seal ●
1:4		1	Back-Up ●
1:5		1	Wiper ●
1:6		1	Seal-W/Out Ring ●
1:7		1	Ring-Wear ●
2	302-60	1	Fitting-Grease

● Not serviced separately



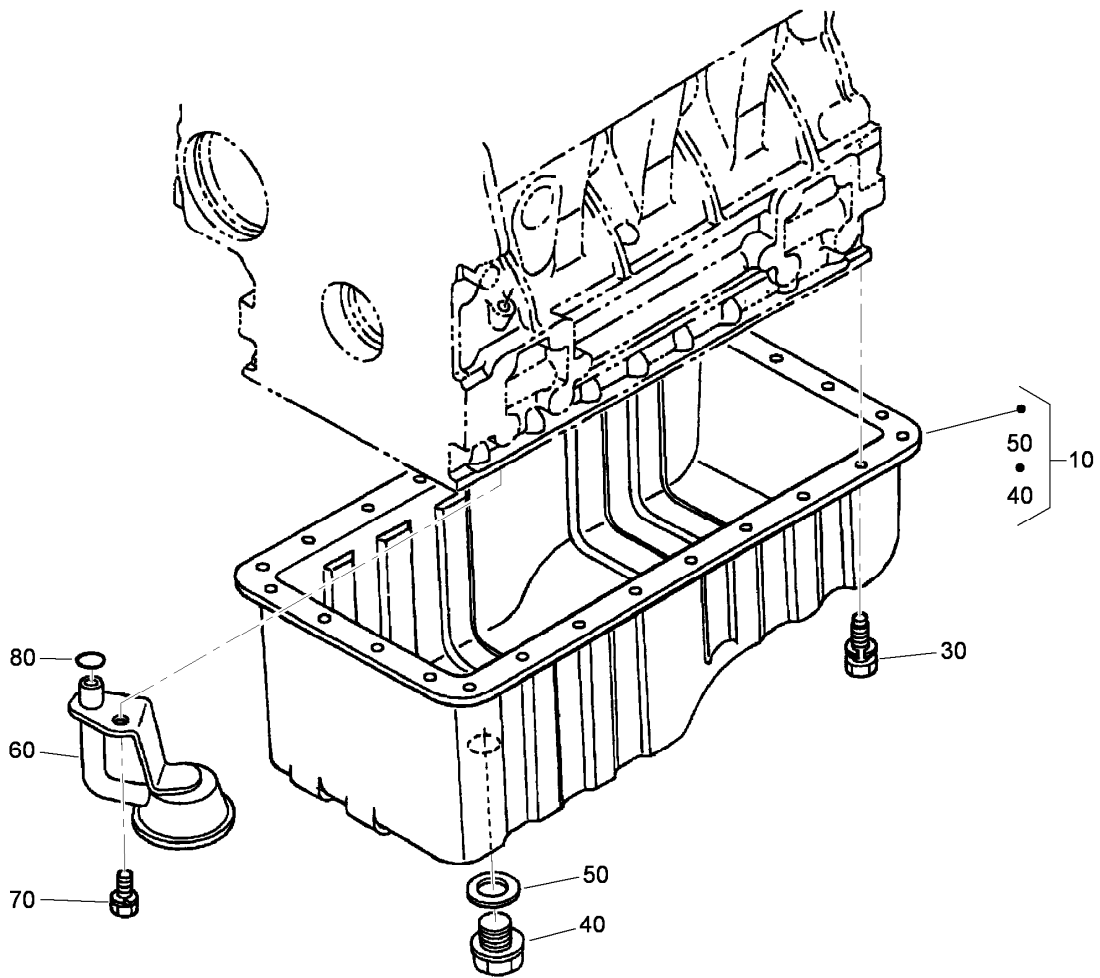
## Roll-Over Protection System Assembly

<i>Ref.</i>	<i>Part Number</i>	<i>Qty.</i>	<i>Description</i>
1	3234-38	2	Screw-HHF
2	107-2350	1	ROPS ASM
2:2	108-4441	1	Decal-ROPS
3	325-20	2	Screw-HH
4	32128-49	2	Nut-HHF



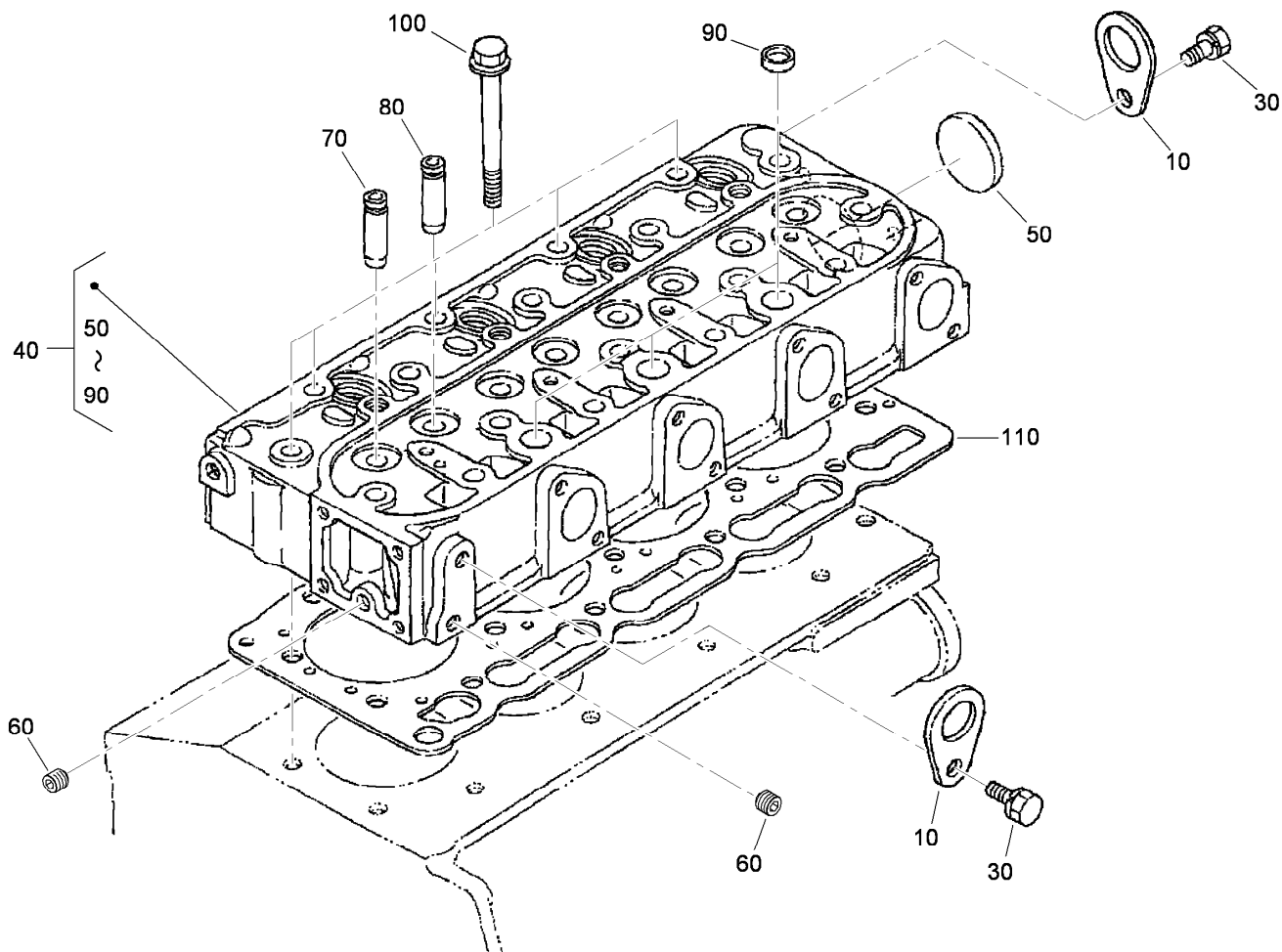
## Crankcase Assembly

<i>Ref.</i>	<i>Part Number</i>	<i>Qty.</i>	<i>Description</i>
10	115-4115	1	Crankcase ASM
20	98-9398	6	Cap-Sealing
30	98-7539	1	Cap-Sealing
40	98-7540	4	Plug
50	99-8347	1	Joint-Pipe, Drain
60	98-9597	3	Plug
70	98-7487	2	Plug
80	98-9379	3	Plug-Expansion
90	98-9668	1	Plug-Expansion
100	98-9375	1	Pin-Straight
110	98-9377	1	Pin-Straight
120	98-9376	2	Pin-Straight
130	98-9387	2	Pin-Pipe
140	98-9539	1	Pin-Pipe
150	98-9599	1	Plug
160	105-3796	1	Pin-Spring, Start
170	98-9675	1	Plug
180	98-9656	1	Bushing-Governor, Gear
190	98-7507	1	Plug
200	98-7428	1	Gasket
210	99-3447	1	Plug
220	106-7056	1	Gasket
230	98-9416	1	Switch-Oil
240	98-9444	1	Plug



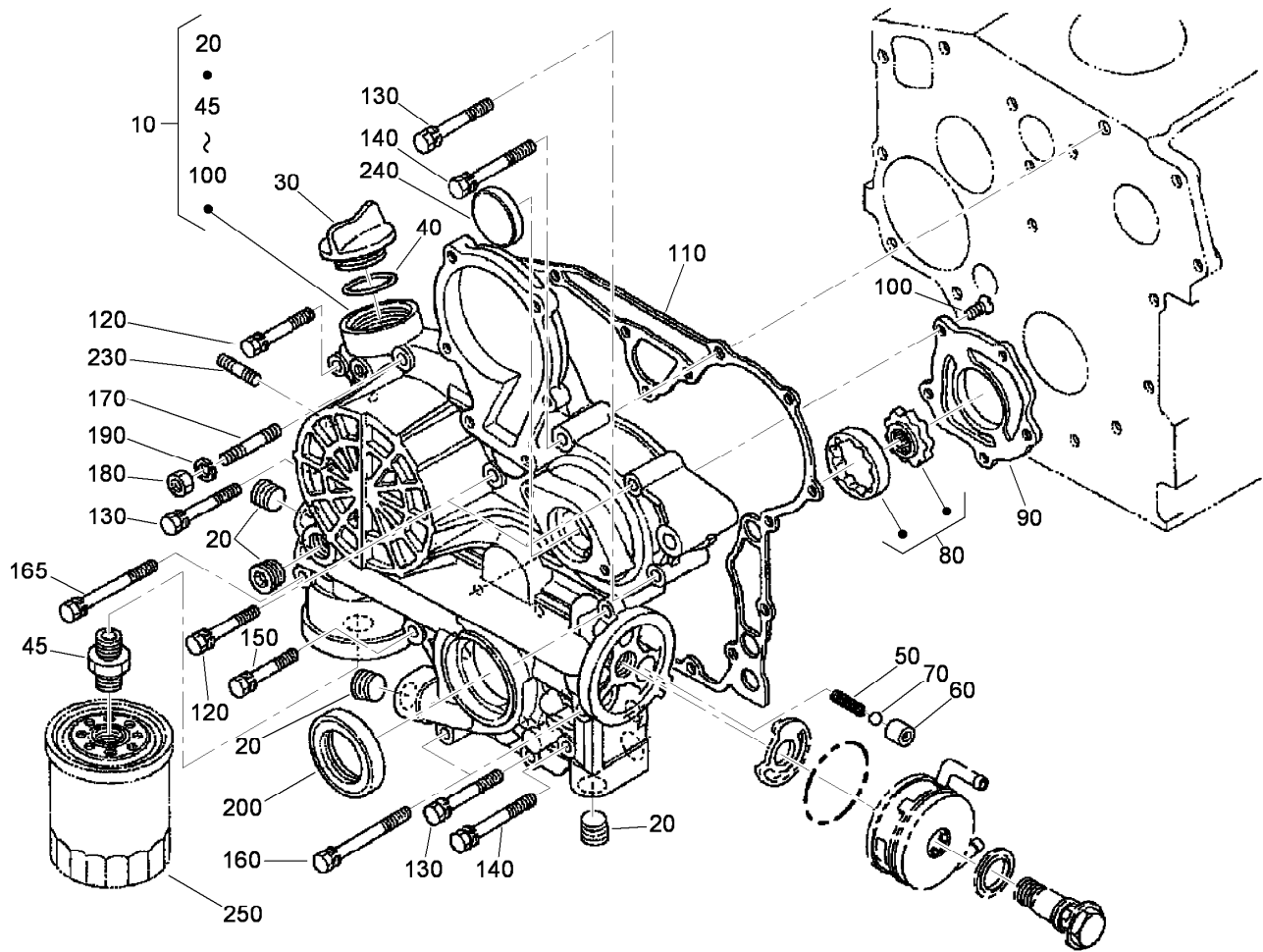
## Oil Pan Assembly

<i>Ref.</i>	<i>Part Number</i>	<i>Qty.</i>	<i>Description</i>
10	110-9714	1	Pan-Oil
30	98-9351	26	Bolt
40	105-3703	1	Plug-Drain
50	110-9715	1	Gasket-Pan, Oil
60	115-4116	1	Filter-Oil
70	98-7526	1	Bolt
80	105-3776	1	O-Ring



## Cylinder Head Assembly

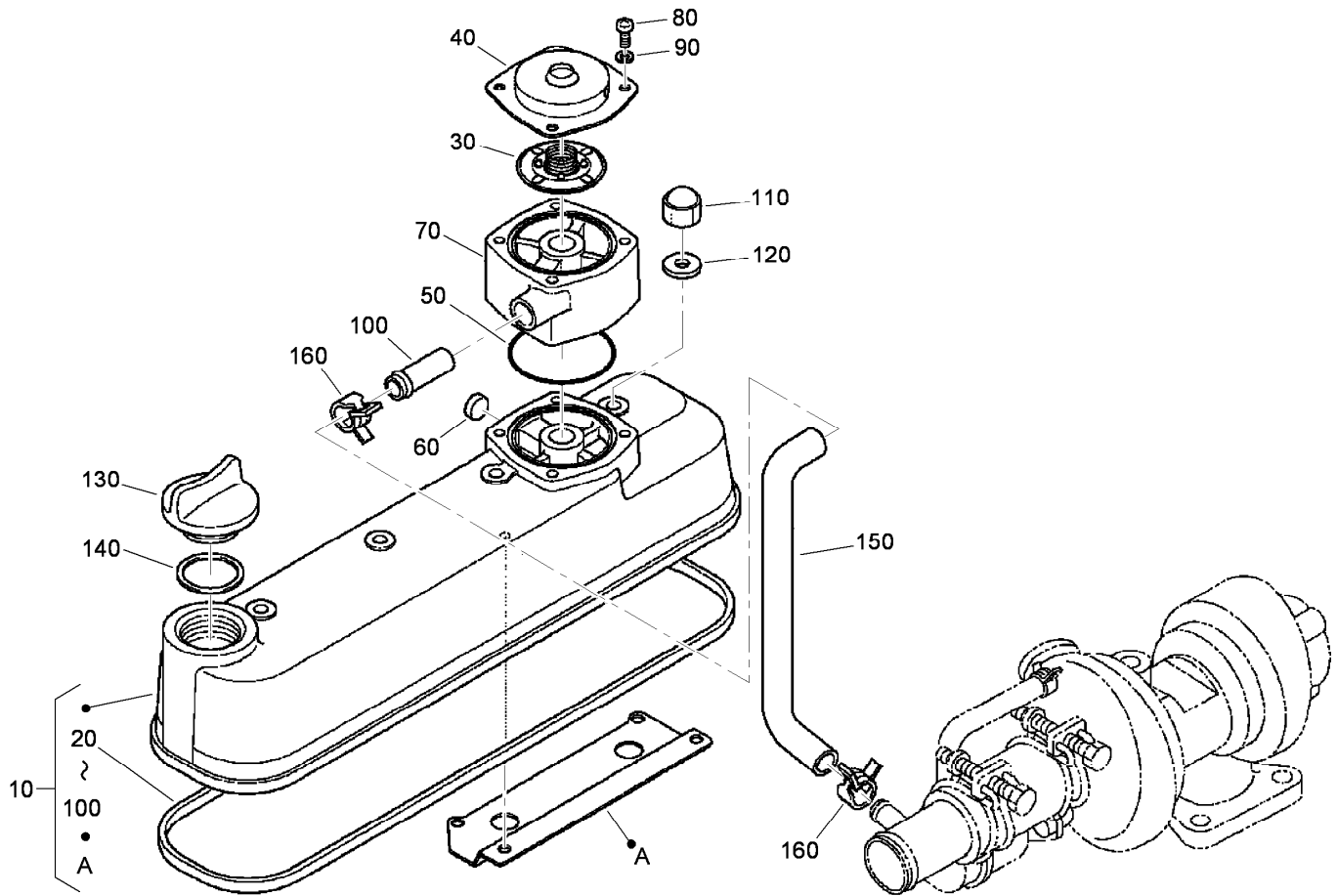
<i>Ref.</i>	<i>Part Number</i>	<i>Qty.</i>	<i>Description</i>
10	98-7531	2	Hook-Engine
30	100-9195	2	Bolt
40	108-2854	1	Cylinder Head ASM
50	105-3705	1	Cap-Sealing
60	98-7540	2	Plug
70	107-9066	4	Guide-Valve, Inlet
80	107-9067	4	Guide-Valve, Exhaust
90	98-9389	3	Cap-Sealing
100	98-9479	18	Bolt-Head, Cylinder
110	108-2855	1	Gasket-Head, Cylinder



## Gear Case Assembly

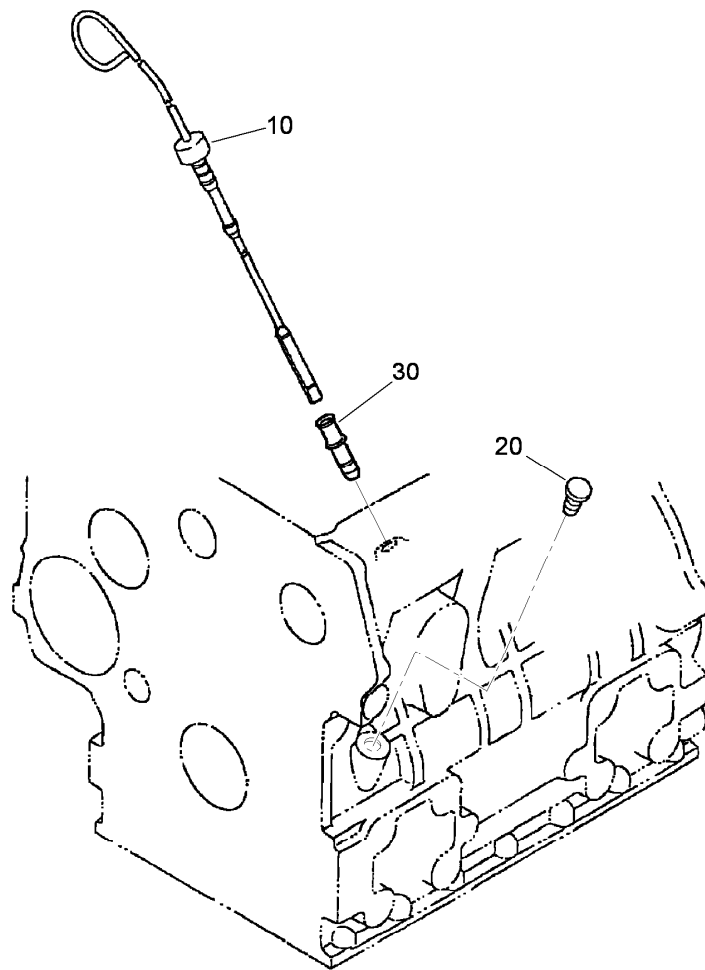
<i>Ref.</i>	<i>Part Number</i>	<i>Qty.</i>	<i>Description</i>
10	115-4117	1	Complete Gear Case
20	98-9598	5	Plug
30	107-9075	1	Plug-Filler, Oil
40	99-3446	1	O-Ring
45	98-9388	1	Joint-Pipe
50	98-9544	1	Spring
60	98-9543	1	Seat-Valve
70	98-9380	1	Ball
80	98-9540	1	Oil Pump Rotor ASM
90	105-3708	1	Cover-Pump, Oil
100	98-9592	5	Screw
110	98-9633	1	Gasket-Case, Gear
120	98-7496	3	Bolt

<i>Ref.</i>	<i>Part Number</i>	<i>Qty.</i>	<i>Description</i>
130	105-3797	4	Bolt
140	98-9356	2	Bolt
150	98-9437	1	Bolt
160	98-9586	2	Bolt
165	99-3511	1	Bolt
170	105-3709	1	Stud
180	98-7572	1	Nut
190	98-7699	1	Washer-Spring
200	98-9482	1	Seal-Oil
230	105-3710	2	Stud
240	98-9641	1	Cover-Case, Gear
250	108-3841	1	Filter-Oil



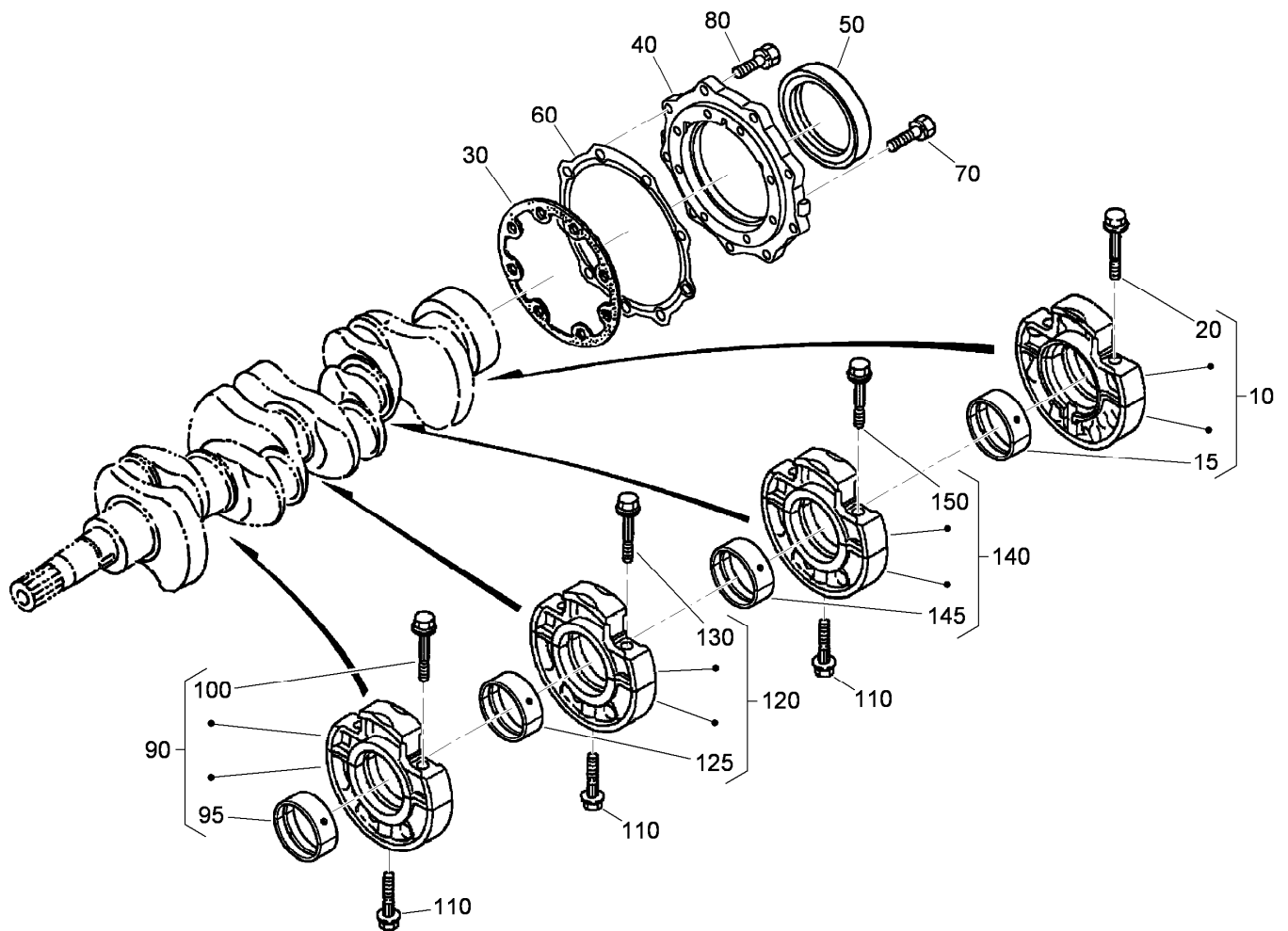
## Cylinder Head Cover Assembly

<i>Ref.</i>	<i>Part Number</i>	<i>Qty.</i>	<i>Description</i>
10	115-4118	1	Cylinder Head Cover ASM
20	105-3712	1	Gasket-Cover, Head
30	110-3715	1	Valve-Breather
40	110-3714	1	Cover-Breather
50	110-3846	1	O Ring-Breather
60	115-3042	1	Cap-Sealing
70	115-3043	1	Spacer-Breather
80	115-3044	4	Screw-Pan Head
90	100-2204	4	Washer-Spring
100	98-7766	1	Pipe-Return, Water
110	98-9455	4	Nut-Cap
120	98-9454	4	Gasket
130	107-9075	1	Plug-Filler, Oil
140	99-3446	1	O-Ring
150	115-4119	1	Tube-Breather, Turbo
160	108-2859	2	Clamp-Hose



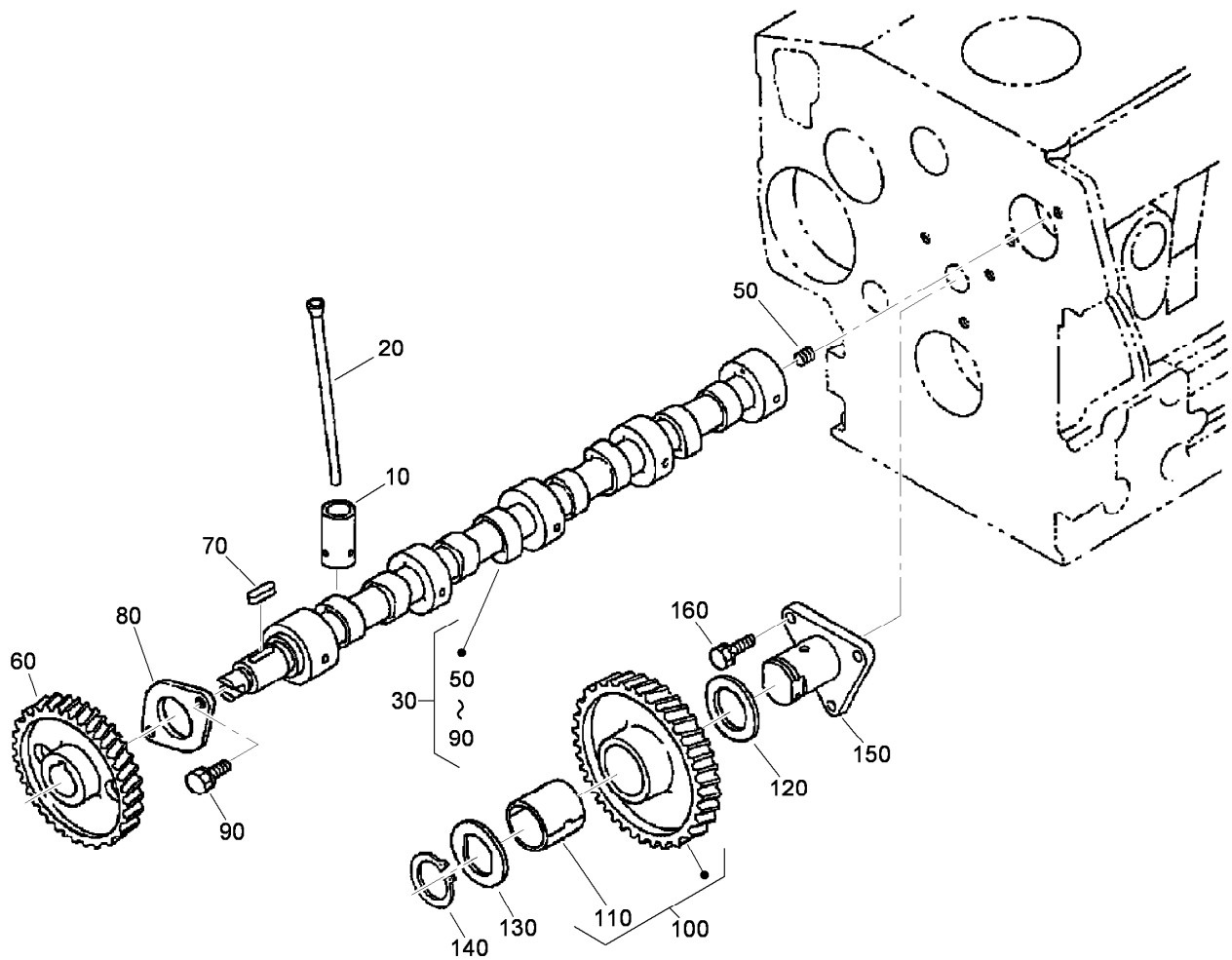
## Dipstick and Guide Assembly

<i>Ref.</i>	<i>Part Number</i>	<i>Qty.</i>	<i>Description</i>
10	105-3714	1	Gauge-Oil
20	110-3720	1	Plug-Gauge, Oil
30	105-4580	1	Guide-Gauge, Oil



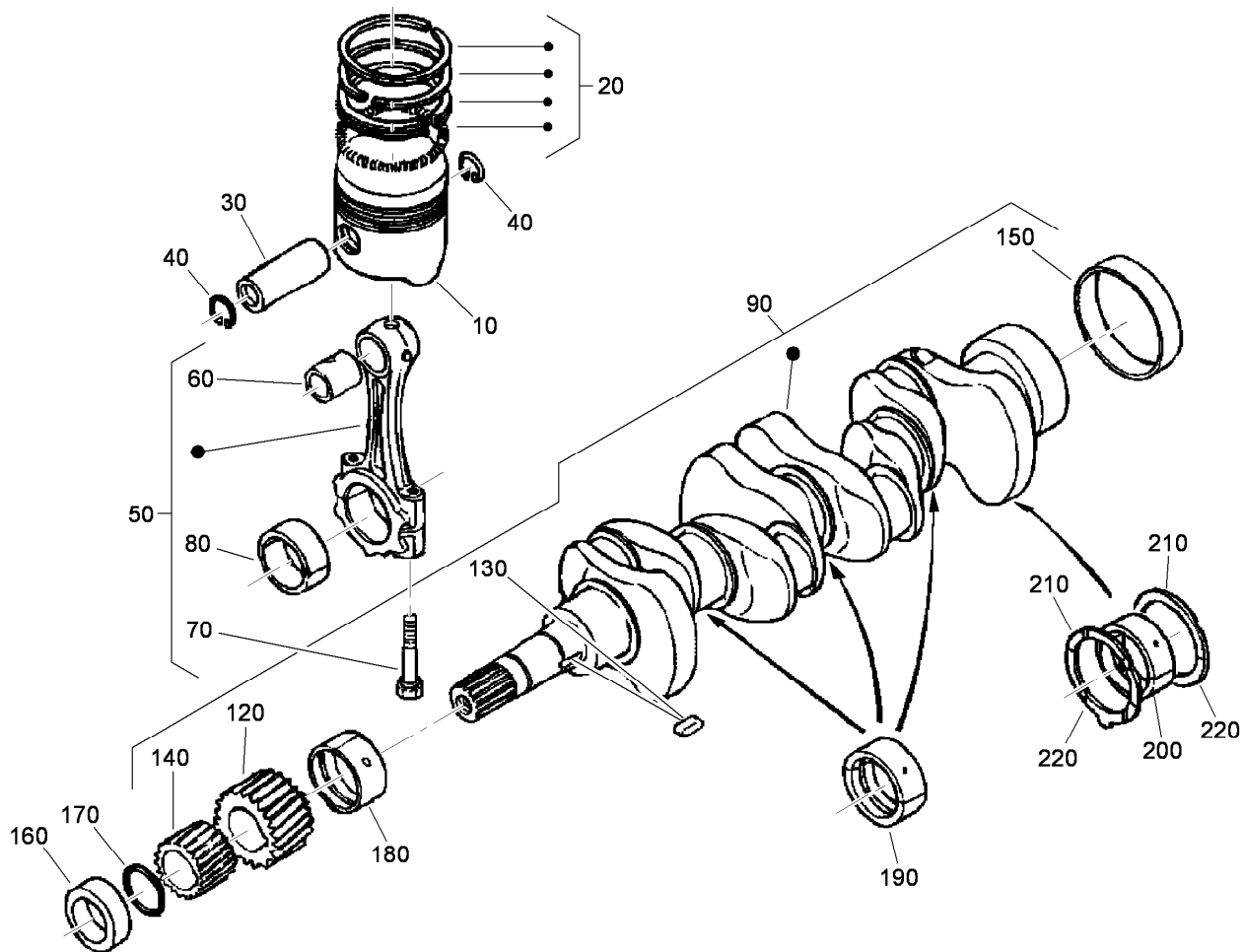
## Main Bearing Case Assembly

<i>Ref.</i>	<i>Part Number</i>	<i>Qty.</i>	<i>Description</i>
10	112-7026	1	Wheel Bearing Case ASM
15	112-7045	1	Metal-Crankshaft
20	98-9484	2	Bolt-Case, Bearing
30	98-9634	1	Gasket-Case, Bearing
40	112-7046	1	Cover-Case, Bearing
50	112-0180	1	Seal-Oil
60	112-7037	1	Gasket-Cover, Case
70	98-9352	8	Bolt
80	98-7568	9	Bolt
90	112-7028	1	Bearing ASM
95	112-7011	1	Bearing-Main (STD)
100	98-9484	2	Bolt-Case, Bearing
110	98-9485	3	Bolt-Case, Bearing
120	112-7027	1	Bearing ASM
125	112-7011	1	Bearing-Main (STD)
130	98-9484	2	Bolt-Case, Bearing
140	115-4120	1	Bearing Case ASM
145	112-7011	1	Bearing-Main (STD)
150	98-9484	2	Bolt-Case, Bearing



## Cam Shaft and Idle Gear Shaft Assembly

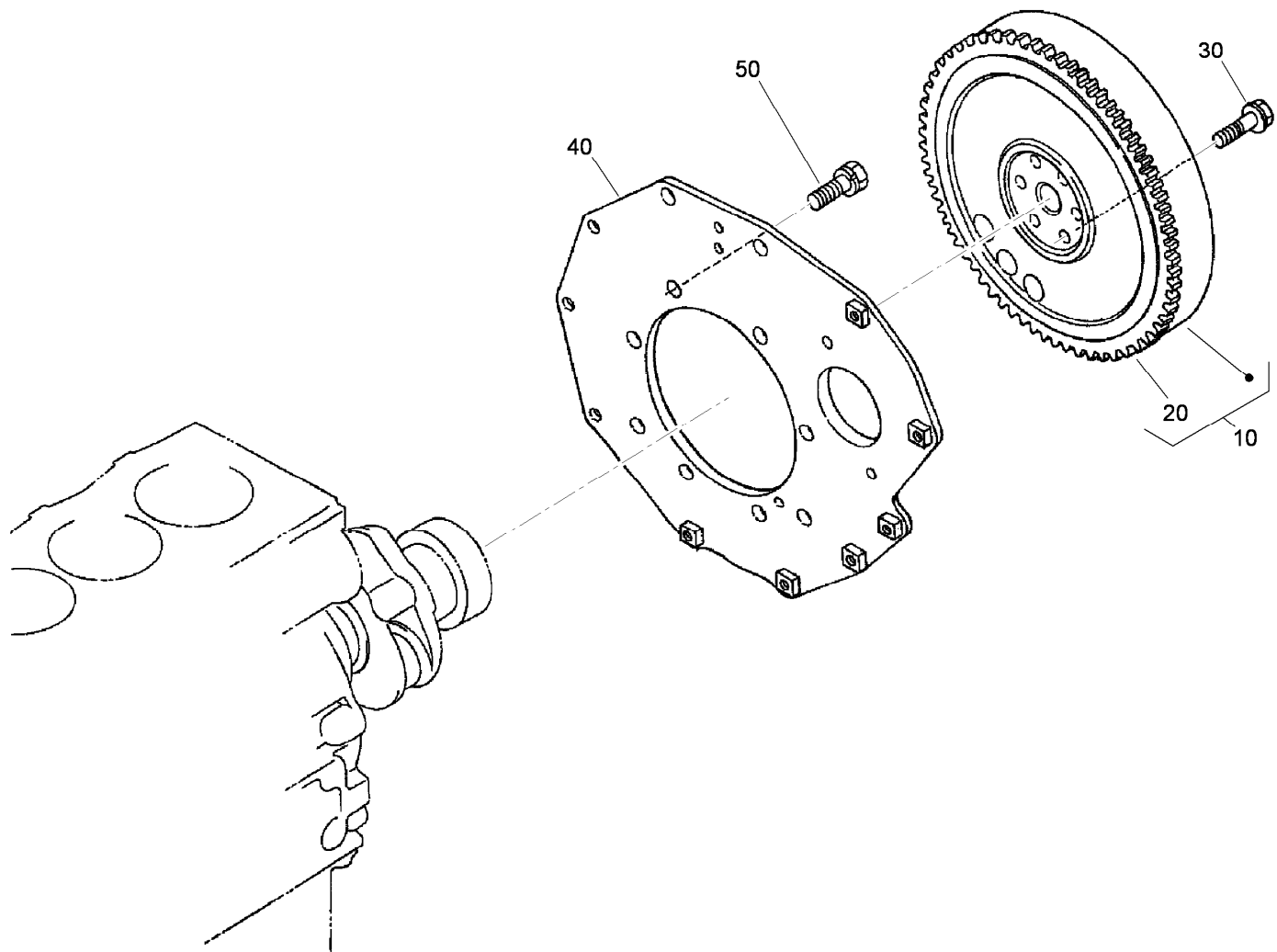
<i>Ref.</i>	<i>Part Number</i>	<i>Qty.</i>	<i>Description</i>
10	112-0185	8	Tappet
20	98-9509	8	Rod-Push
30	112-8402	1	Camshaft ASM
50	98-7449	1	Screw-Set
60	98-9512	1	Gear-Cam
70	98-9378	1	Key-Feather
80	98-9510	1	Stopper-Camshaft
90	98-7692	2	Bolt
100	98-9649	1	Idle Gear ASM
110	98-9650	1	Bushing-Gear, Idle
120	98-9535	1	Collar-Gear, Idle
130	98-9536	1	Collar-Gear, Idle
140	98-9534	1	Circlip-Gear, Idle
150	98-9533	1	Shaft-Gear, Idle
160	98-7692	3	Bolt



## Piston and Crankshaft Assembly

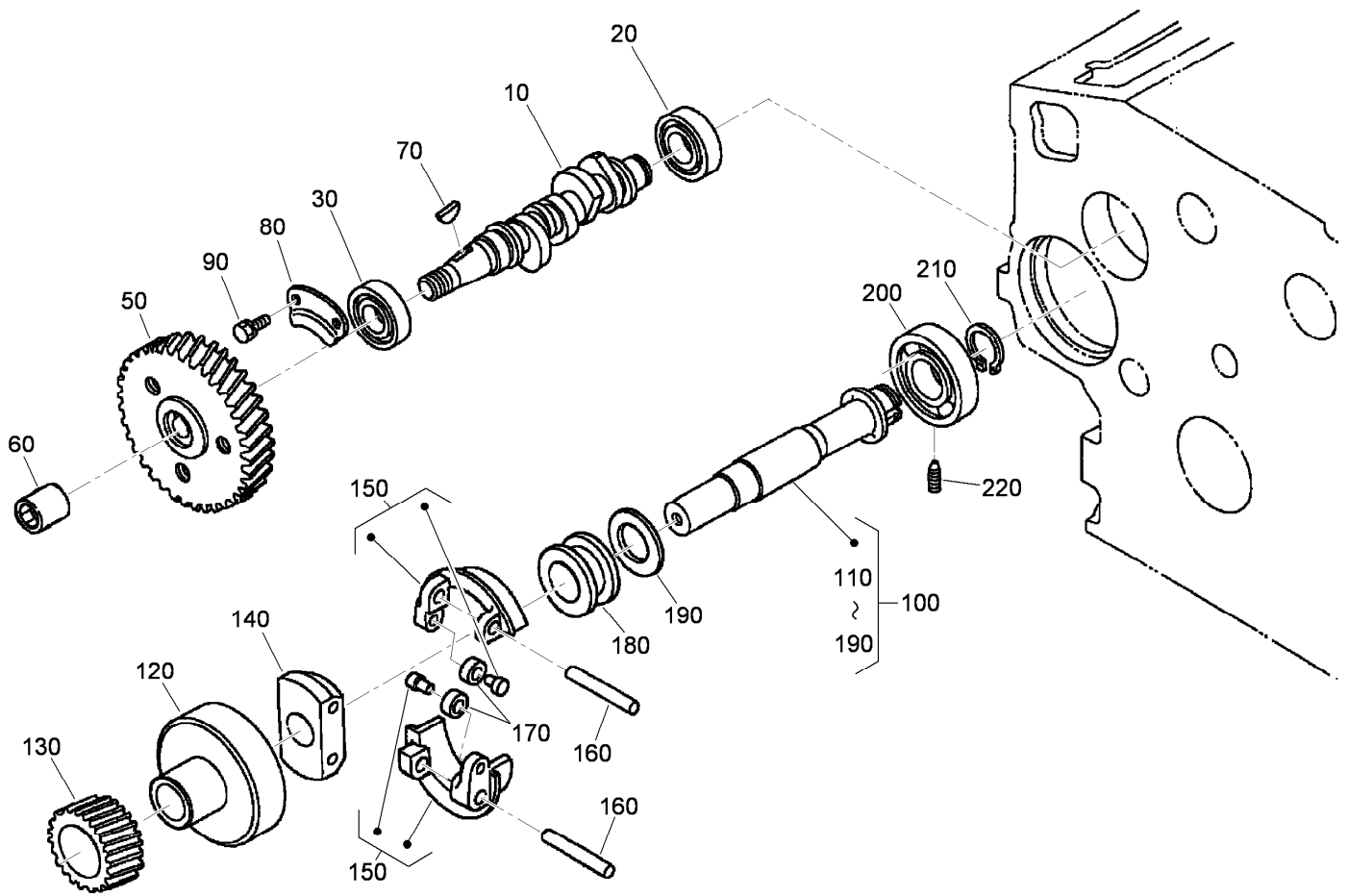
<i>Ref.</i>	<i>Part Number</i>	<i>Qty.</i>	<i>Description</i>
10	98-9550	4	Piston (STD)
10	108-1417	4	Piston (+0.5MM)
20	98-9551	4	Piston Ring ASM (STD)
20	98-9619	4	Piston Ring ASM (0.5MM)
30	98-9513	4	Pin-Piston
40	98-9514	8	Circlip-Pin, Piston
50	98-9552	4	Connecting Rod ASM
60	98-9515	4	Bushing-Pin, Piston
70	98-9517	8	Bolt-Rod, Connecting
80	98-9553	4	Bearing-Rod (STD)
80	108-1405	4	Metal-Crankpin (-0.2MM)
80	108-1406	4	Metal-Crankpin (-0.4MM)
90	105-3718	1	Crankshaft ASM
120	98-9532	1	Gear-Crankshaft
130	98-9666	1	Key
140	98-9542	1	Gear-Drive, Oil Pump
150	98-9522	1	Sleeve-Crankshaft

<i>Ref.</i>	<i>Part Number</i>	<i>Qty.</i>	<i>Description</i>
160	98-9521	1	Collar-Crankshaft
170	98-9373	1	O-Ring
180	112-7005	1	Bearing-Main (STD)
180	112-7009	1	Metal-Crankpin (-0.2MM)
180	112-7010	1	Metal-Crankpin (-0.4MM)
190	112-7011	3	Bearing-Main (STD)
190	112-7012	3	Metal-Crankpin (-0.2MM)
190	112-7013	3	Metal-Crankpin (-0.4MM)
200	115-4121	1	Metal-Crankshaft (STD)
200	112-7039	1	Metal-Crankshaft (0.2Mm)
200	112-7040	1	Metal-Crankshaft (-0.4Mm)
210	98-9413	2	Bearing-Thrust (STD)
210	98-9414	2	Bearing-Thrust (0.2MM)
210	98-9415	2	Bearing-Thrust (0.4MM)
220	98-9688	2	Bearing-Thrust (STD)
220	98-9689	2	Bearing-Thrust (0.2MM)
220	98-9690	2	Bearing-Thrust (0.4MM)



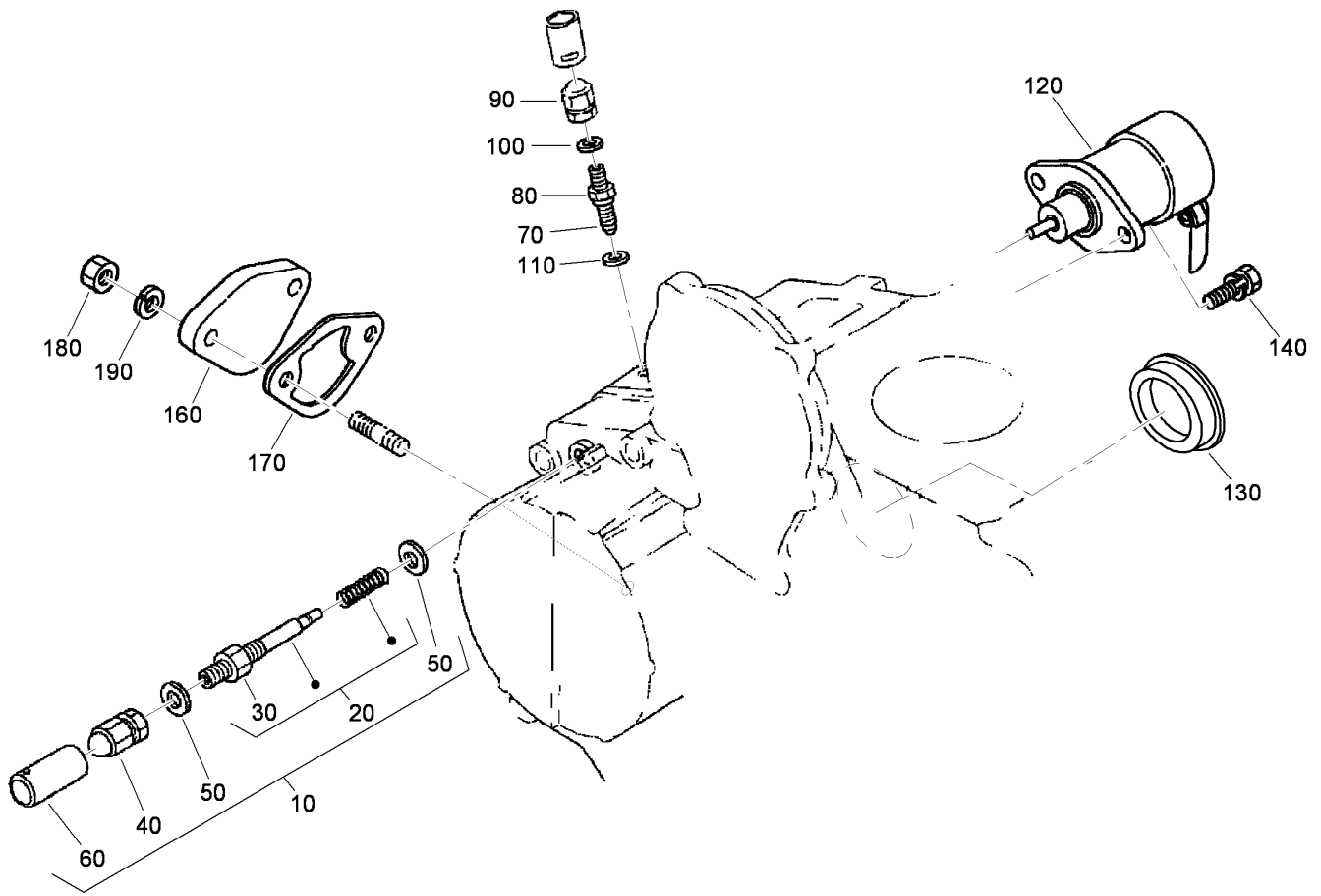
## Flywheel Assembly

<i>Ref.</i>	<i>Part Number</i>	<i>Qty.</i>	<i>Description</i>
10	105-3721	1	Flywheel ASM
20	115-3015	1	Gear-Ring
30	98-9537	6	Bolt-Flywheel
40	98-9486	1	Plate-End, Rear
50	98-9392	8	Bolt



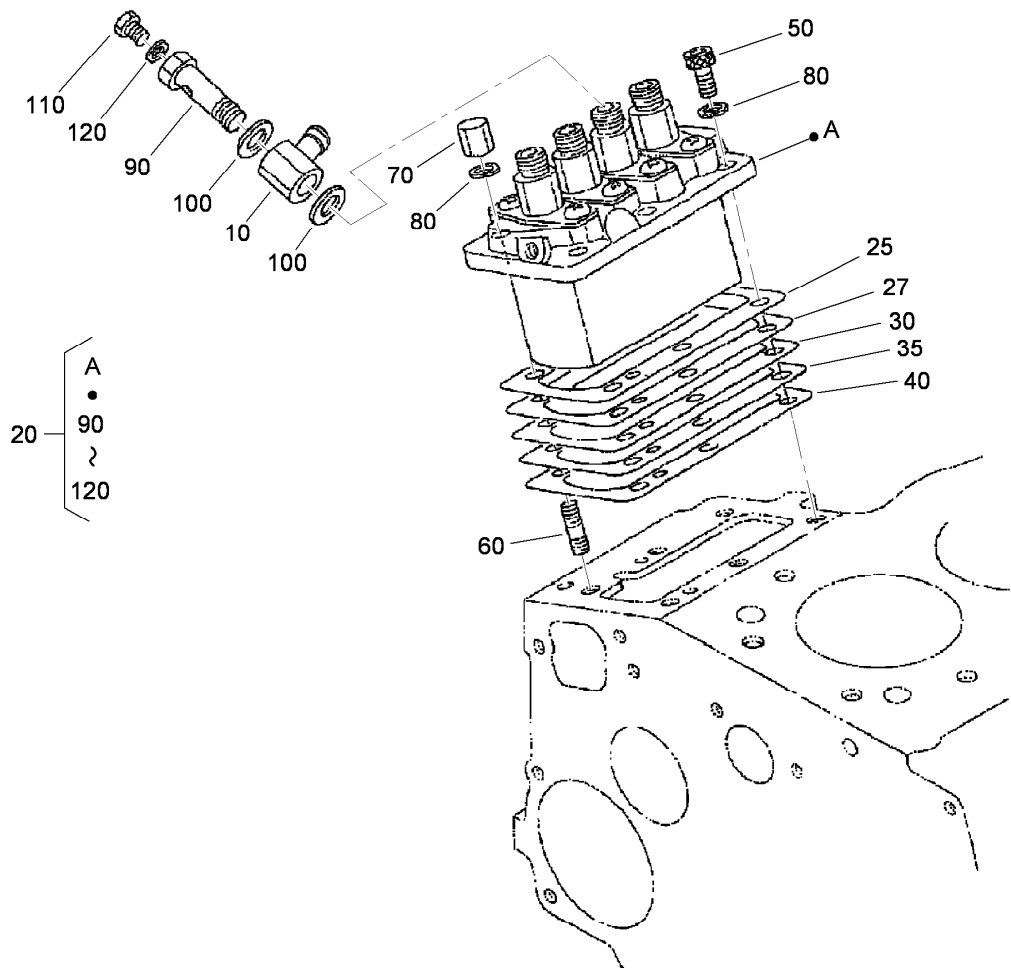
## Fuel Camshaft and Governor Shaft Assembly

<i>Ref.</i>	<i>Part Number</i>	<i>Qty.</i>	<i>Description</i>
10	105-3723	1	Camshaft-Fuel
20	107-9077	1	Bearing-Ball
30	107-9078	1	Bearing-Ball
50	98-9669	1	Gear-Pump, Injection
60	98-9590	1	Nut-Cap
70	98-9595	1	Key-Woodruff
80	98-9511	1	Stopper-Fuel, Camshaft
90	98-7692	2	Bolt
100	105-3724	1	Governor Shaft ASM
110	105-3725	1	Shaft-Governor
120	98-9562	1	Holder-Gear, Governor
130	98-9673	1	Gear-Governor
140	98-9561	1	Holder-Weight, Governor
150	98-9559	2	Governor Weight ASM
160	98-9560	2	Shaft-Weight, Governor
170	98-9692	2	Roller
180	98-9563	1	Sleeve-Governor
190	98-9564	1	Washer-Thrust
200	107-9079	1	Bearing-Ball
210	98-9657	1	Circlip-Shaft, Governor
220	98-9565	1	Screw-Set



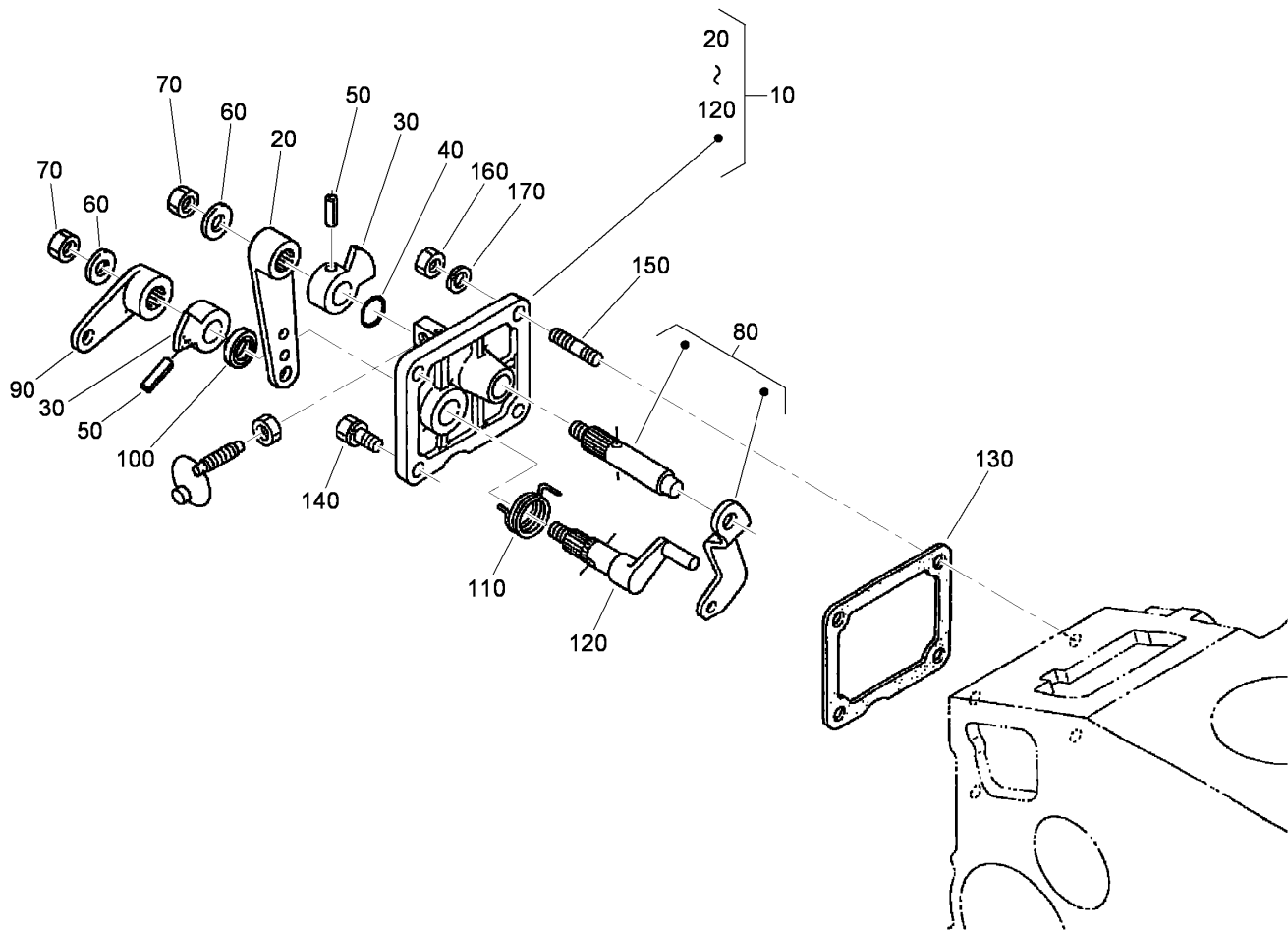
## Idle Apparatus Assembly

Ref.	Part Number	Qty.	Description
10	115-4124	1	Apparatus-Idling
20	115-4125	1	Adjustment Bolt ASM
30	98-9439	1	Nut
40	99-8387	1	Nut-Cap
50	98-7654	2	Gasket
60	98-7656	1	Cap
70	112-7015	1	Bolt-Adjusting
80	100-2175	1	Nut-Lock
90	99-8387	1	Nut-Cap
100	98-7654	1	Gasket
110	107-9081	1	Gasket
120	104-5155	1	Solenoid-Stop
130	112-7016	1	Cover-Pump
140	115-3039	2	Bolt-HSH
160	99-3514	1	Cover
170	98-9636	1	Gasket-Pump, Fuel
180	98-7572	2	Nut
190	98-7699	2	Washer-Spring



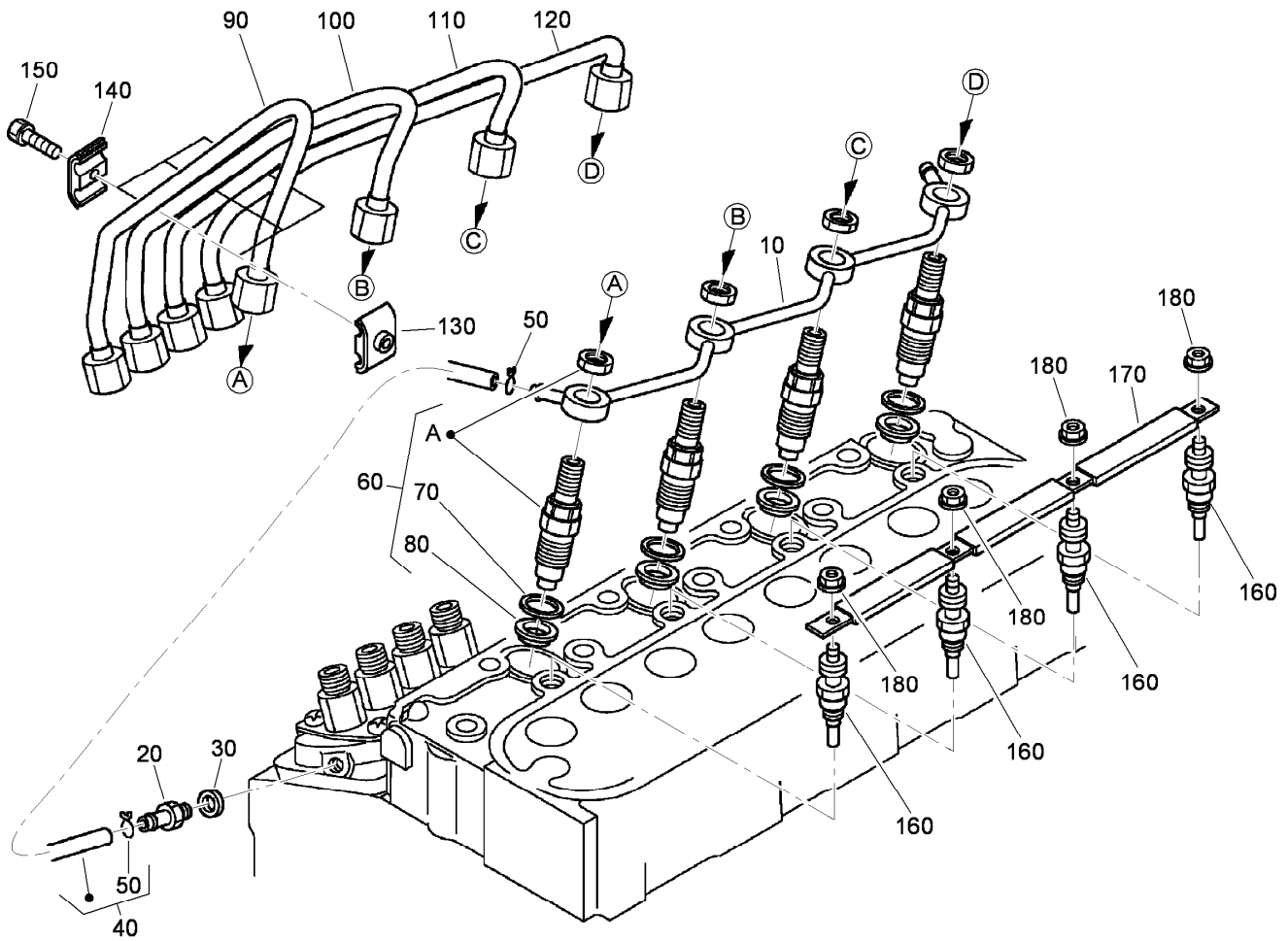
## Injection Pump Assembly

<i>Ref.</i>	<i>Part Number</i>	<i>Qty.</i>	<i>Description</i>
10	98-9596	1	Joint-Eye
20	105-3727	1	Injection Pump ASM
25	115-3016	1	Shim-Pump, Injection (.350MM)
27	115-3017	1	Shim-Pump, Injection (.175MM)
30	105-3728	1	Shim-Pump, Injection (.20MM)
35	105-3729	1	Shim-Pump, Injection (.25MM)
40	105-3730	1	Shim-Pump, Injection (.30MM)
50	98-9361	3	Bolt-HSH
60	98-9438	3	Stud
70	98-9440	3	Nut-Cap
80	98-7699	6	Washer-Spring
90	98-9464	1	Bolt-Joint
100	98-9445	2	Gasket
110	98-9430	1	Screw
120	98-9446	1	Gasket



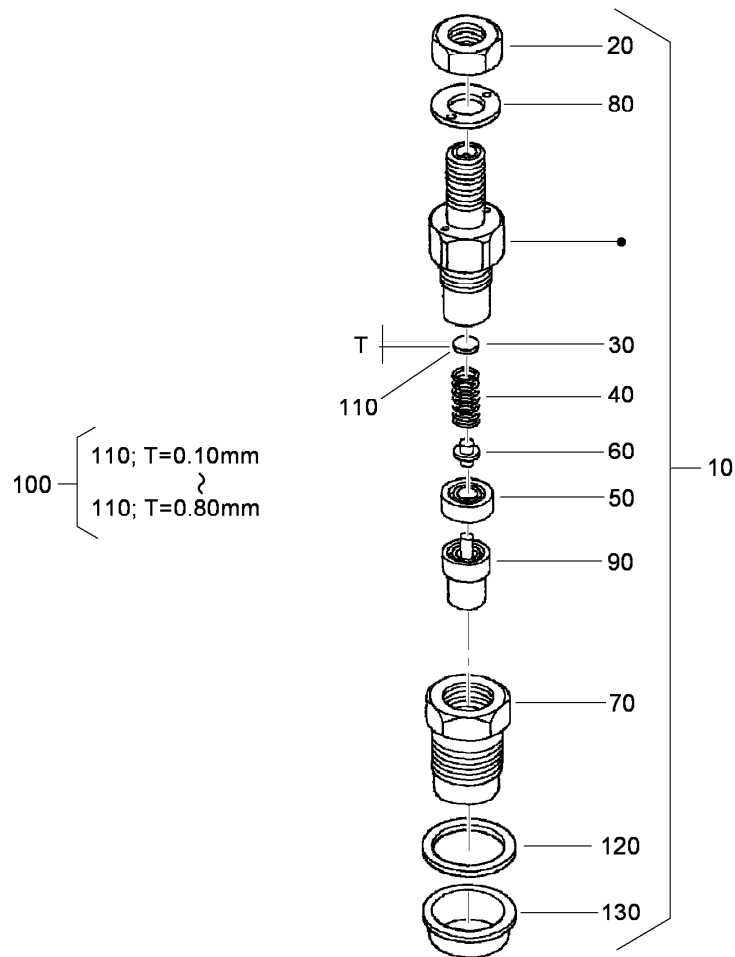
## Speed Control Plate Assembly

<i>Ref.</i>	<i>Part Number</i>	<i>Qty.</i>	<i>Description</i>
10	105-3735	1	Control Plate ASM
20	98-9662	1	Lever-Control, Speed
30	98-9572	2	Lever-Control, Speed
40	105-3788	1	O-Ring
50	98-7602	2	Pin-Spring
60	98-9594	2	Washer-Plain
70	98-9589	2	Nut
80	98-9658	1	Governor Lever ASM
90	98-9663	1	Lever-Stop, Engine
100	98-7601	1	Seal-Oil
110	98-9472	1	Spring-Return
120	98-9664	1	Shaft-Lever, Stop
130	98-9637	1	Gasket
140	98-7692	2	Bolt
150	105-3710	2	Stud
160	98-7572	2	Nut
170	98-7699	2	Washer-Spring



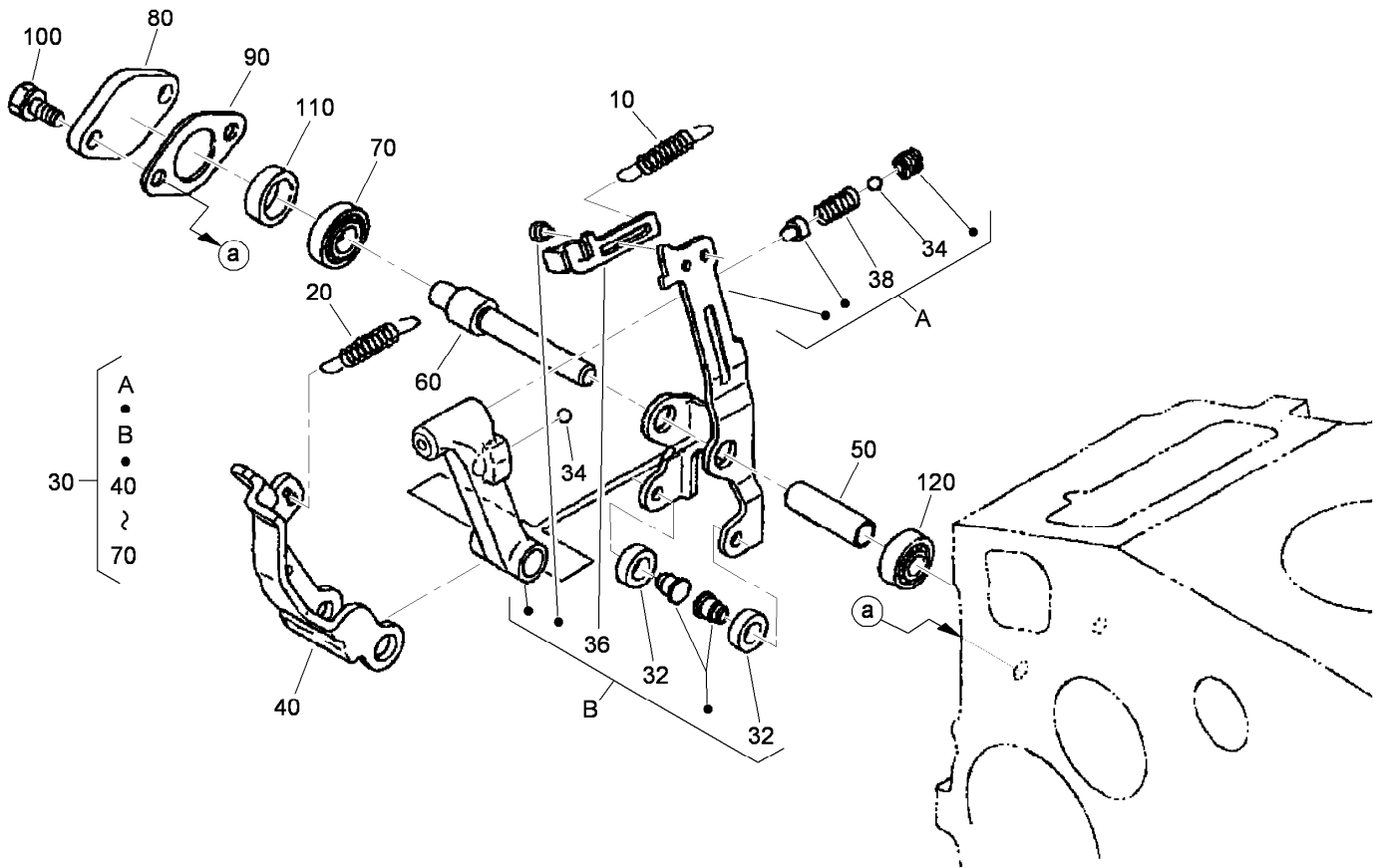
## Nozzle Holder and Glow Plug Assembly

Ref.	Part Number	Qty.	Description
10	105-3737	1	Over Flow Pipe ASM
20	98-9431	1	Screw-Bleeder, Air
30	98-7654	1	Gasket
40	98-9420	1	Overflow Pipe ASM
50	98-7671	2	Clip-Pipe
60	108-2866	4	Nozzle Holder Kit
70	98-7676	4	Gasket
80	98-7677	4	Seal-Heat
90	98-9622	1	Pipe-Injection
100	98-9654	1	Pipe-Injection
110	98-9655	1	Pipe-Injection
120	105-3738	1	Pipe-Injection
130	98-7682	3	Clamp-Pipe
140	98-7683	3	Clamp-Pipe
150	98-9364	3	Screw (With Washer)
160	98-9623	4	Plug-Glow
170	105-3739	1	Cord-Plug, Glow
180	99-8377	4	Nut-Flange



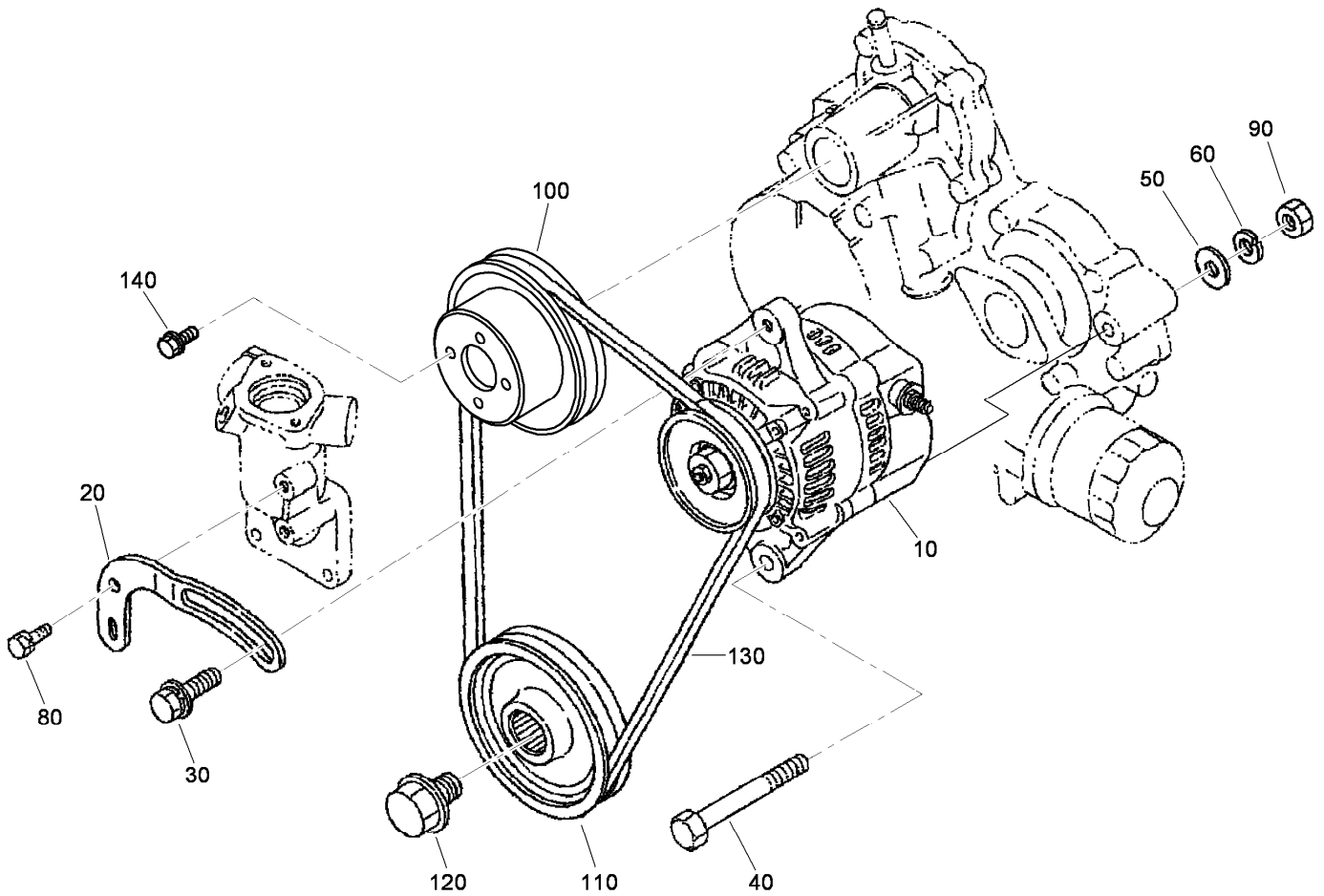
## Nozzle Holder Component Assembly

Ref.	Part Number	Qty.	Description
10	108-2866	4	Nozzle Holder Kit
20	99-8301	4	Nut
30	99-8302	4	Washer-Adjusting
40	99-8303	4	Spring-Nozzle
50	99-8304	4	Spacer-Distance
60	99-8305	4	Rod-Push
70	99-8306	4	Nut-Nozzle
80	99-8307	4	Washer-Plain
90	107-7826	4	Piece-Nozzle
100	99-8309	4	Adjusting Washer ASM
110	99-8310	4	Washer-Adjust (0.10MM)
110	99-8311	4	Washer-Adjust (0.20MM)
110	99-8312	4	Washer-Adjust (0.30MM)
110	99-8313	4	Washer-Adjust (0.40MM)
110	99-8314	4	Washer-Adjust (0.50MM)
110	99-8315	4	Washer-Adjust (0.52MM)
110	99-8316	4	Washer-Adjust (0.54MM)
110	99-8317	4	Washer-Adjust (0.56MM)
110	99-8318	4	Washer-Adjust (0.58MM)
110	99-8319	4	Washer-Adjust (0.80MM)
120	98-7676	4	Gasket
130	98-7677	4	Seal-Heat



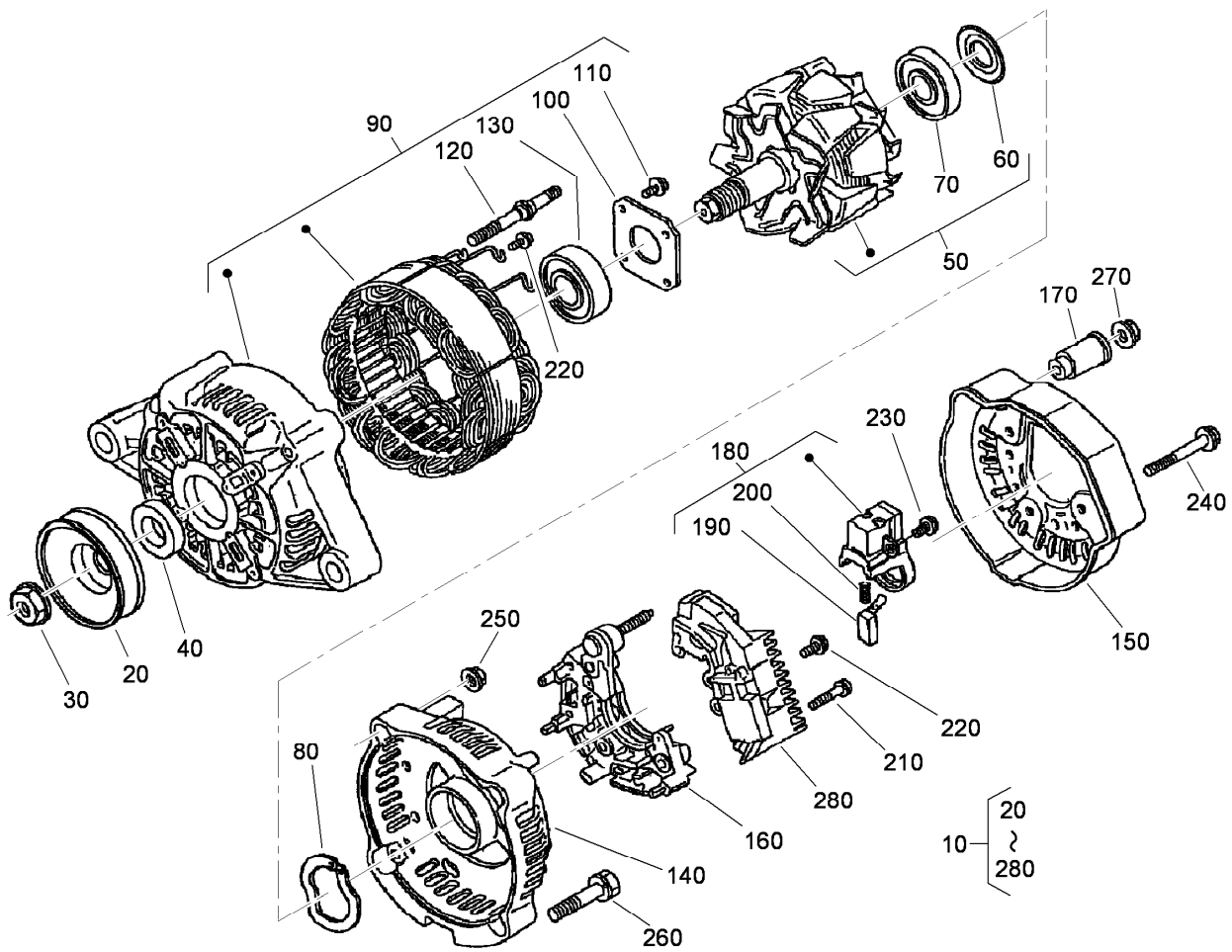
## Governor Assembly

Ref.	Part Number	Qty.	Description
10	105-3741	1	Spring-Start
20	98-9681	1	Spring-Governor
30	108-4427	1	Fork Lever ASM
32	98-9692	2	Roller
34	98-7580	2	Ball
36	107-9083	1	Lever-Thrust
38	108-2867	1	Spring
40	107-9084	1	Lever-Fork
50	107-9085	1	Shaft-Lever, Fork
60	107-9086	1	Shaft-Lever, Fork
70	98-9570	1	Bearing-Miniaturize
80	115-4122	1	Cover-Shaft, Fork Lever
90	98-9682	1	Gasket
100	98-9350	2	Bolt
110	98-9567	1	Collar
120	98-9571	1	Bearing-Miniaturize



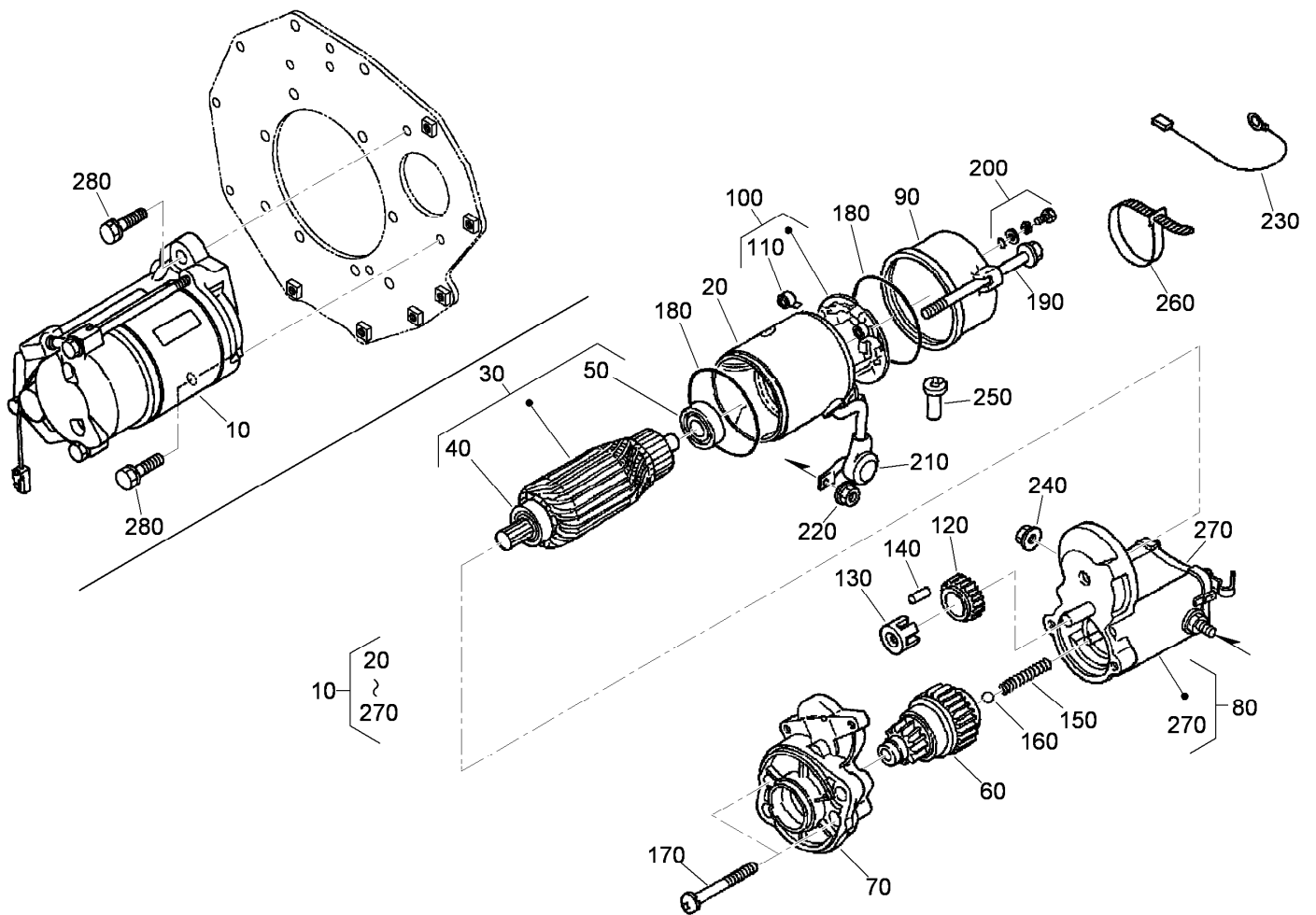
## Alternator and Pulley Assembly

<i>Ref.</i>	<i>Part Number</i>	<i>Qty.</i>	<i>Description</i>
10	98-9474	1	Alternator ASM
20	112-7047	1	Stay-Dynamo
30	108-7088	1	Bolt
40	98-9360	1	Bolt
50	33095-00	1	Washer-Flat
60	98-7738	1	Washer-Spring
80	98-7692	1	Bolt
90	99-7526	1	Nut
100	98-9584	1	Pulley-Fan
110	105-3745	1	Pulley-Drive, Fan
120	98-9585	1	Bolt
130	98-9676	1	V-Belt
140	99-8363	4	Bolt-Flange



## Alternator Component Assembly

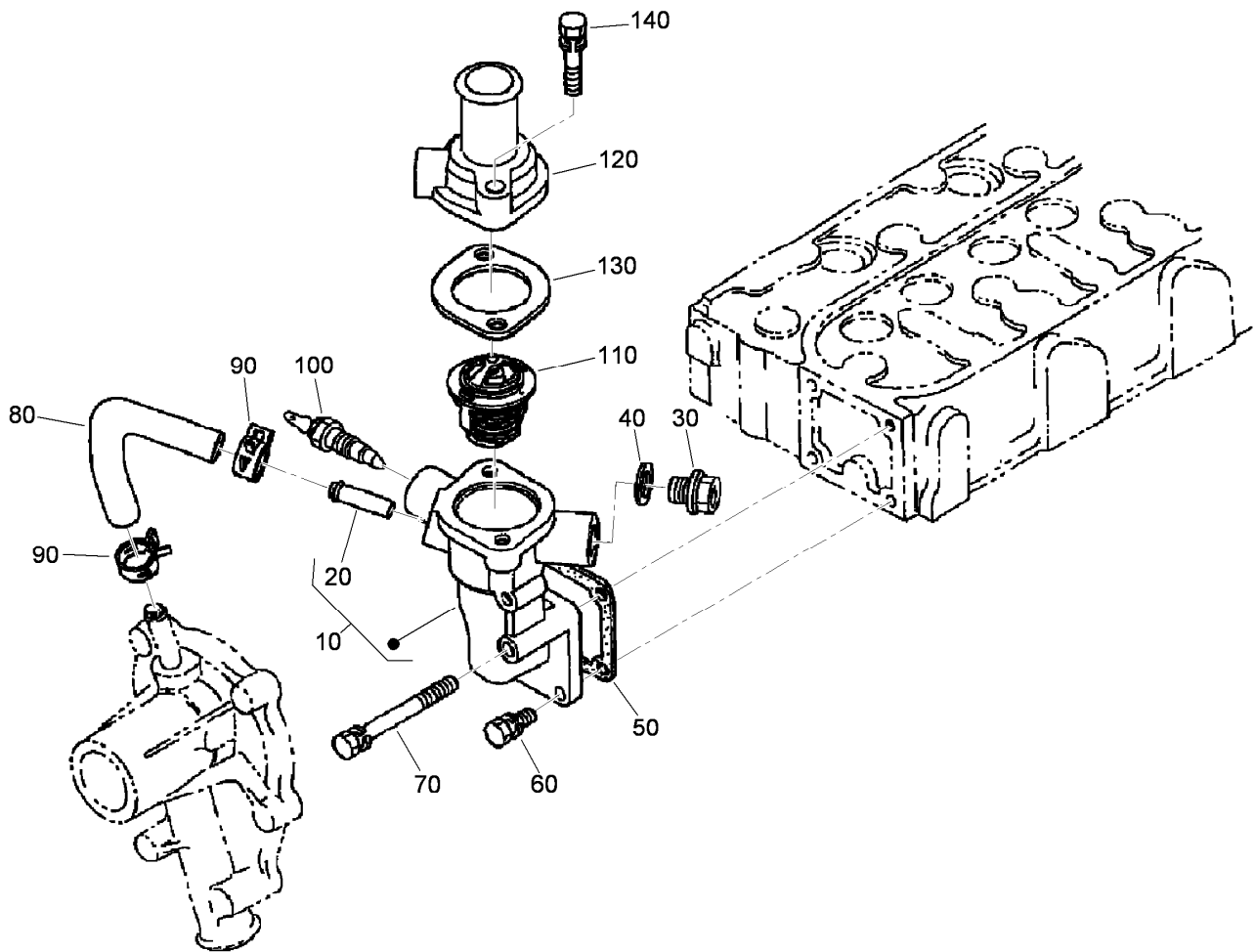
<i>Ref.</i>	<i>Part Number</i>	<i>Qty.</i>	<i>Description</i>	<i>Ref.</i>	<i>Part Number</i>	<i>Qty.</i>	<i>Description</i>
10	98-9474	1	Alternator ASM	150	107-0140	1	Cover-End
20	98-9453	1	Pulley-Dynamo	160	98-7721	1	Rectifier ASM
30	98-7708	1	Nut	170	98-7722	1	Bushing-Insulation
40	98-7709	1	Collar	180	107-0141	1	Brush Holder ASM
50	107-0136	1	Rotor ASM	190	98-7724	2	Brush
60	98-7711	1	Cover-Bearing	200	98-7725	2	Spring-Brush
70	98-7712	1	Bearing-Ball	210	98-7726	2	Screw-Head, Round
80	98-7713	1	Washer-Thrust	220	98-7727	6	Screw-Head, Round
90	107-0139	1	Drive End Frame ASM	230	98-7728	1	Screw-Head, Round
100	98-7715	1	Plate-Retainer	240	98-7729	3	Bolt
110	98-7716	4	Screw-Head, Round	250	98-7730	2	Nut
120	98-7717	2	Bolt-Through	260	98-7731	2	Bolt
130	133-2811	1	Bearing	270	98-7732	1	Nut
140	107-9087	1	Frame-End	280	110-3799	1	Regulator ASM



## Starter Assembly

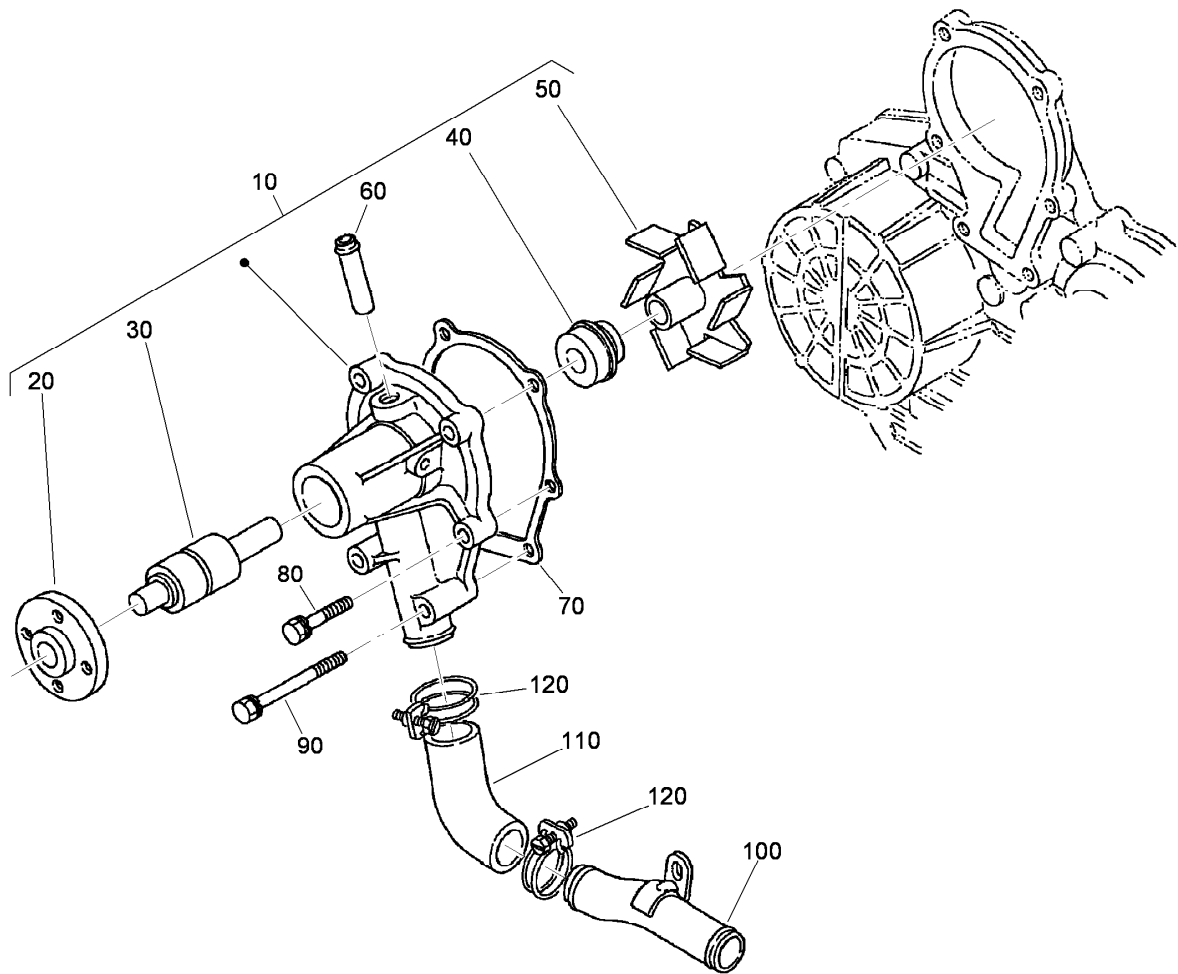
<i>Ref.</i>	<i>Part Number</i>	<i>Qty.</i>	<i>Description</i>
10	98-9705	1	Starter ASM
20	104-8608	1	Yoke ASM
30	98-7742	1	Armature ASM
40	98-7744	1	Bearing
50	98-7743	1	Bearing
60	99-8373	1	Clutch-Running, Over
70	99-8374	1	Frame-End, Drive
80	105-3746	1	Magnetic Switch ASM
90	98-7748	1	Frame-End
100	98-7749	1	Brush Holder ASM
110	98-7750	4	Spring-Brush
120	98-7751	1	Gear
130	98-7752	1	Retainer
140	98-7753	5	Roller

<i>Ref.</i>	<i>Part Number</i>	<i>Qty.</i>	<i>Description</i>
150	98-7754	1	Spring
160	98-7755	1	Ball
170	98-7756	2	Bolt
180	98-7757	2	O-Ring
190	100-9240	2	Bolt
200	98-7758	2	Bolt ASM
210	99-8375	1	Cover
220	99-8371	1	Nut-Hex
230	98-9711	1	Cord-Solenoid, Stop
240	99-8376	1	Nut-Hex
250	98-7759	1	Pipe-Drain
260	98-9712	1	Band-Cover
270	105-2886	1	Cover ASM
280	98-7697	2	Bolt



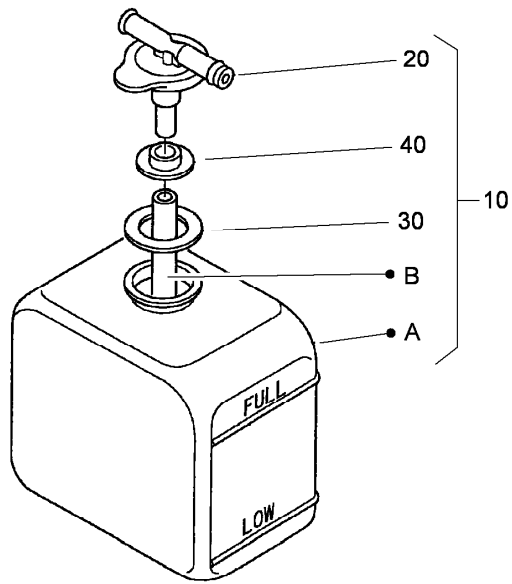
## Water Flange and Thermostat Assembly

<i>Ref.</i>	<i>Part Number</i>	<i>Qty.</i>	<i>Description</i>
10	98-9713	1	Water Flange ASM
20	98-9580	1	Pipe-Return, Water
30	105-3747	1	Plug
40	99-3583	1	Gasket
50	98-9638	1	Gasket-Flange, Water
60	98-7692	3	Bolt
70	98-9356	1	Bolt
80	98-9578	1	Pipe-Return, Water
90	98-9579	2	Band-Pipe
100	98-9719	1	Thermoswitch
110	98-7778	1	Thermostat ASM
120	98-9471	1	Cover-Thermostat
130	105-3748	1	Gasket-Thermostat
140	98-7777	2	Bolt



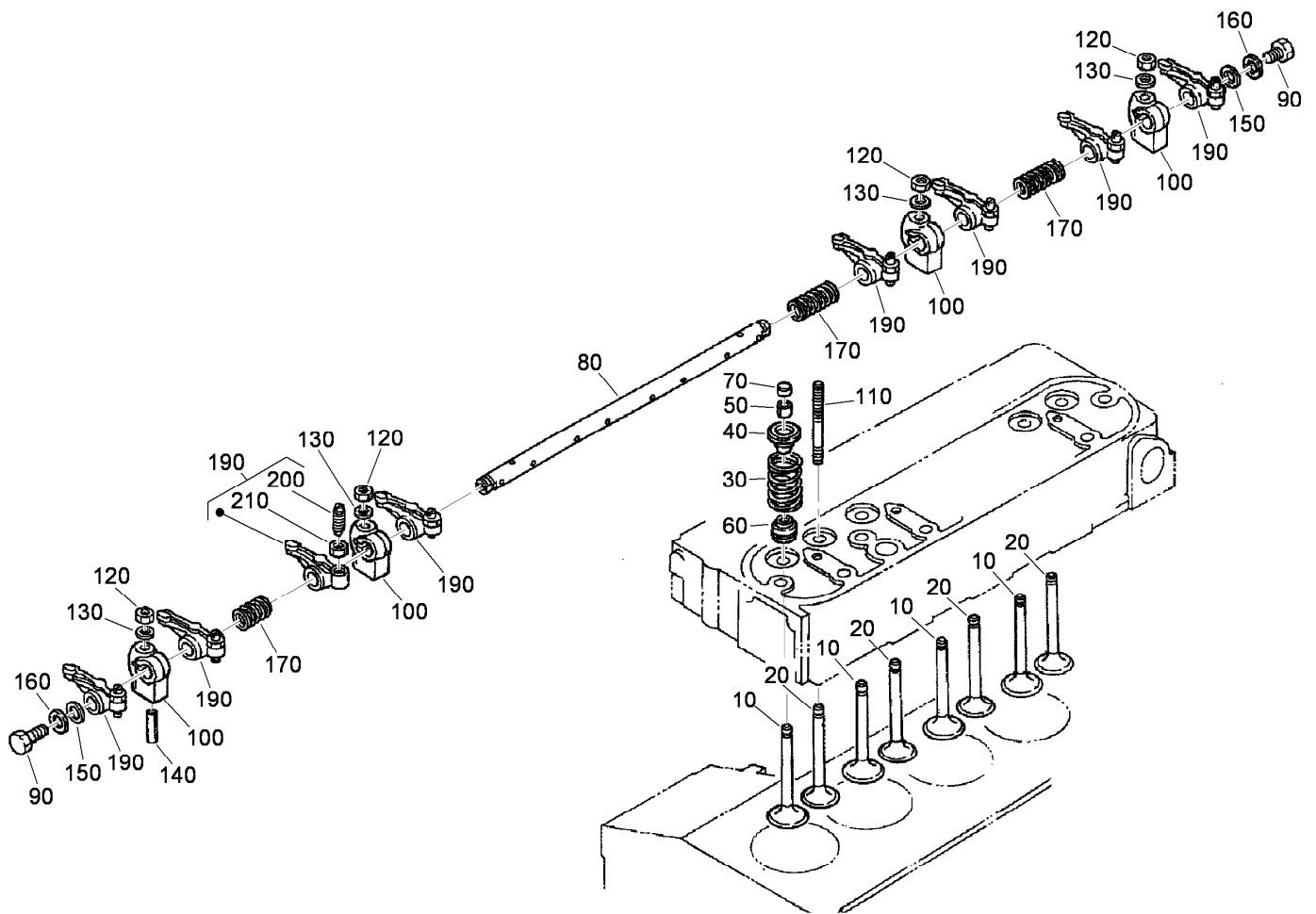
## Water Pump Assembly

<i>Ref.</i>	<i>Part Number</i>	<i>Qty.</i>	<i>Description</i>
10	107-9089	1	Water Pump ASM
20	99-3516	1	Flange-Pump, Water
30	99-3517	1	Bearing-Pump, Water
40	105-3750	1	Mechanical Seal ASM
50	112-7017	1	Impeller-Pump, Water
60	100-1932	1	Pipe-Return, Water
70	99-3454	1	Gasket-Pump, Water
80	98-9353	4	Bolt
90	98-9357	2	Bolt
100	105-3752	1	Pipe-Water
110	107-9091	1	Pipe-Water
120	98-9717	2	Clamp



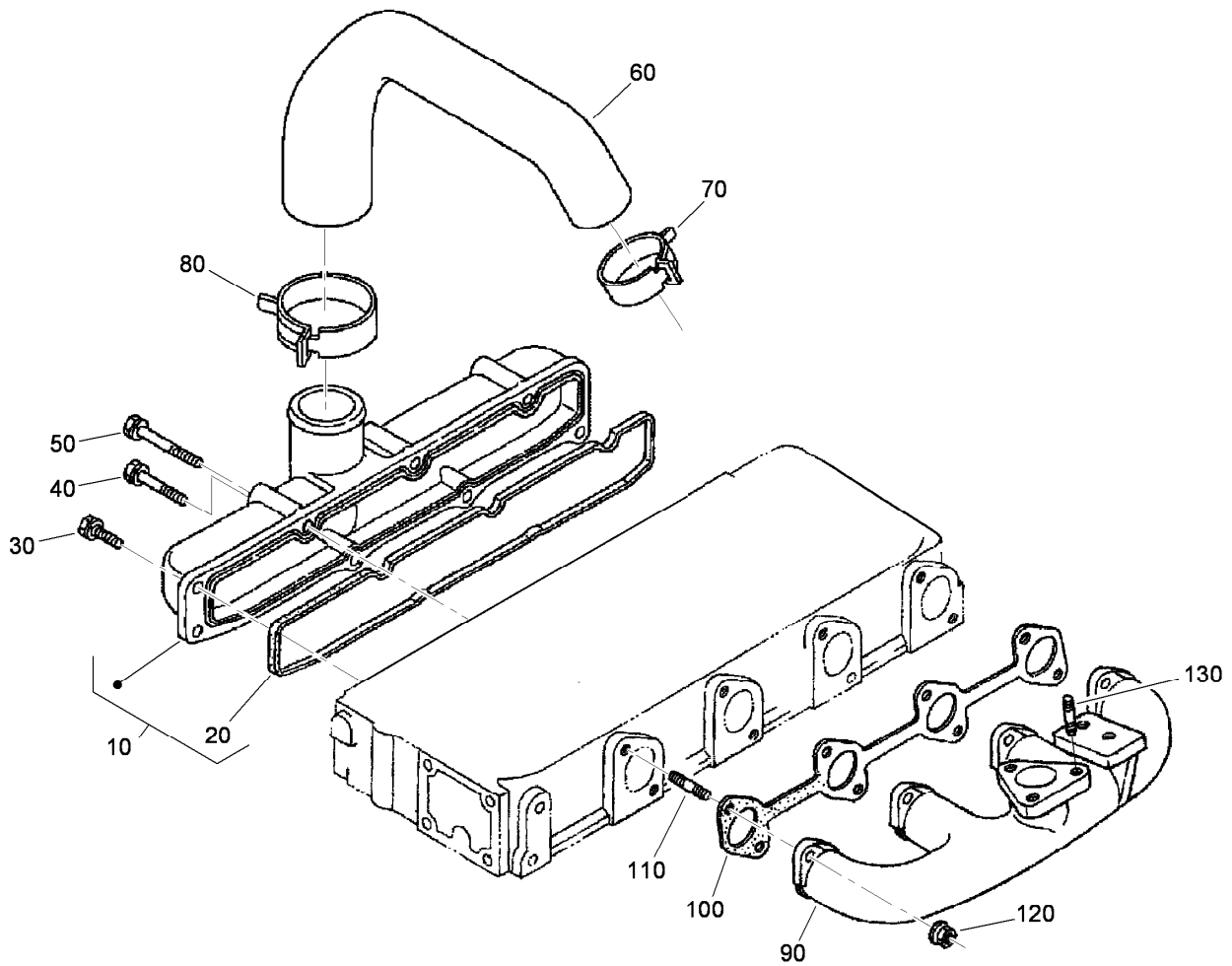
## Overflow Bottle Assembly

<i>Ref.</i>	<i>Part Number</i>	<i>Qty.</i>	<i>Description</i>
10	104-9318	1	Bottle-Overflow
20	105-3754	1	Cap
30	105-3755	1	Gasket
40	105-3756	1	Plate



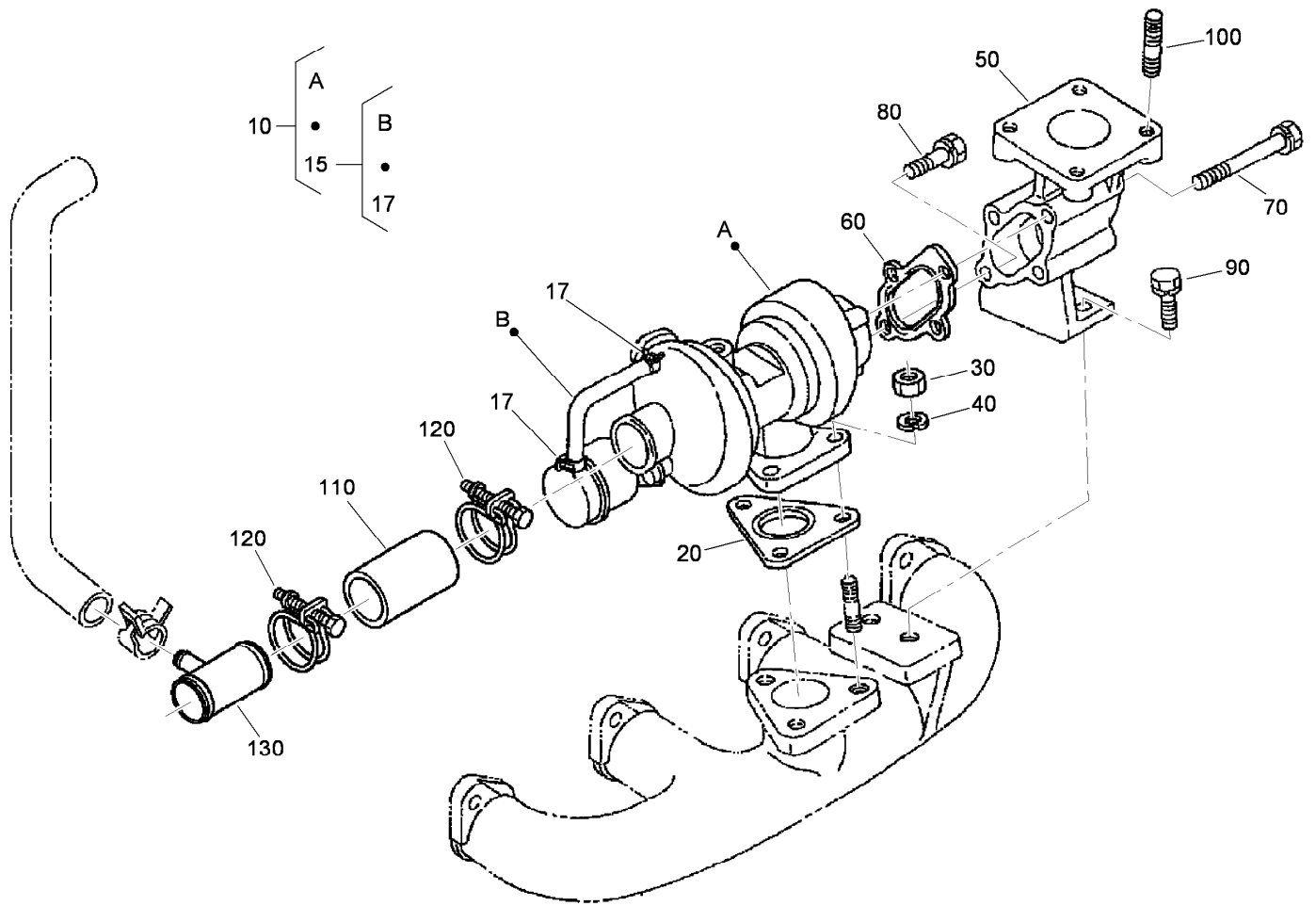
## Valve and Rocker Arm Assembly

Ref.	Part Number	Qty.	Description
10	112-7018	4	Valve-Inlet
20	112-7019	4	Valve-Exhaust
30	98-9626	8	Spring-Valve
40	107-9092	8	Retainer-Spring
50	98-9390	8	Collet-Spring, Valve
60	99-8385	8	Seal-Stem, Valve
70	98-9497	8	Cap-Valve
80	105-3757	1	Shaft-Arm, Rocker
90	100-9265	2	Bolt
100	98-9505	4	Bracket-Arm, Rocker
110	98-9506	4	Stud
120	98-9393	4	Nut
130	98-9385	4	Washer-Flat
140	105-3758	2	Pin-Spring
150	98-9507	2	Washer-Shaft, Rocker Arm
160	3256-1	2	Washer-Flat
170	98-9504	3	Spring-Arm, Rocker
190	112-7020	8	Rocker Arm ASM
200	98-9502	8	Screw-Adjusting
210	98-9503	8	Nut



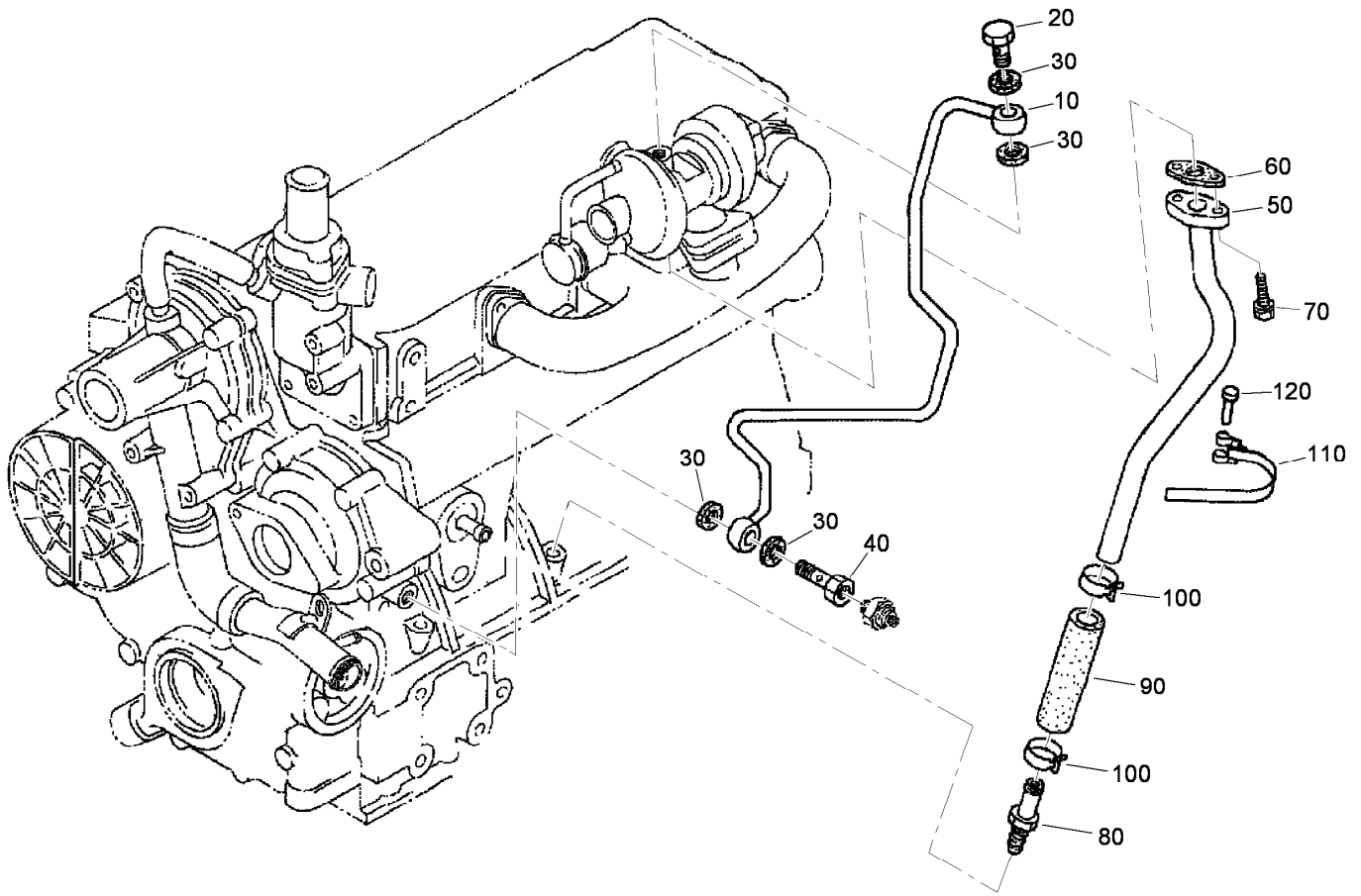
## Inlet and Exhaust Manifold Assembly

<i>Ref.</i>	<i>Part Number</i>	<i>Qty.</i>	<i>Description</i>
10	105-3759	1	Inlet Manifold ASM
20	105-3760	1	Gasket-Manifold, Intake
30	98-7605	3	Bolt
40	98-9353	2	Bolt
50	105-3797	3	Bolt
60	115-4123	1	Hose-Inlet
70	115-3048	1	Clamp-Hose
80	115-3049	1	Clamp-Hose
90	108-4425	1	Manifold-Exhaust
100	105-3765	1	Gasket-Manifold, Exhaust
110	98-9588	8	Stud
120	98-9665	8	Nut
130	99-8342	3	Stud



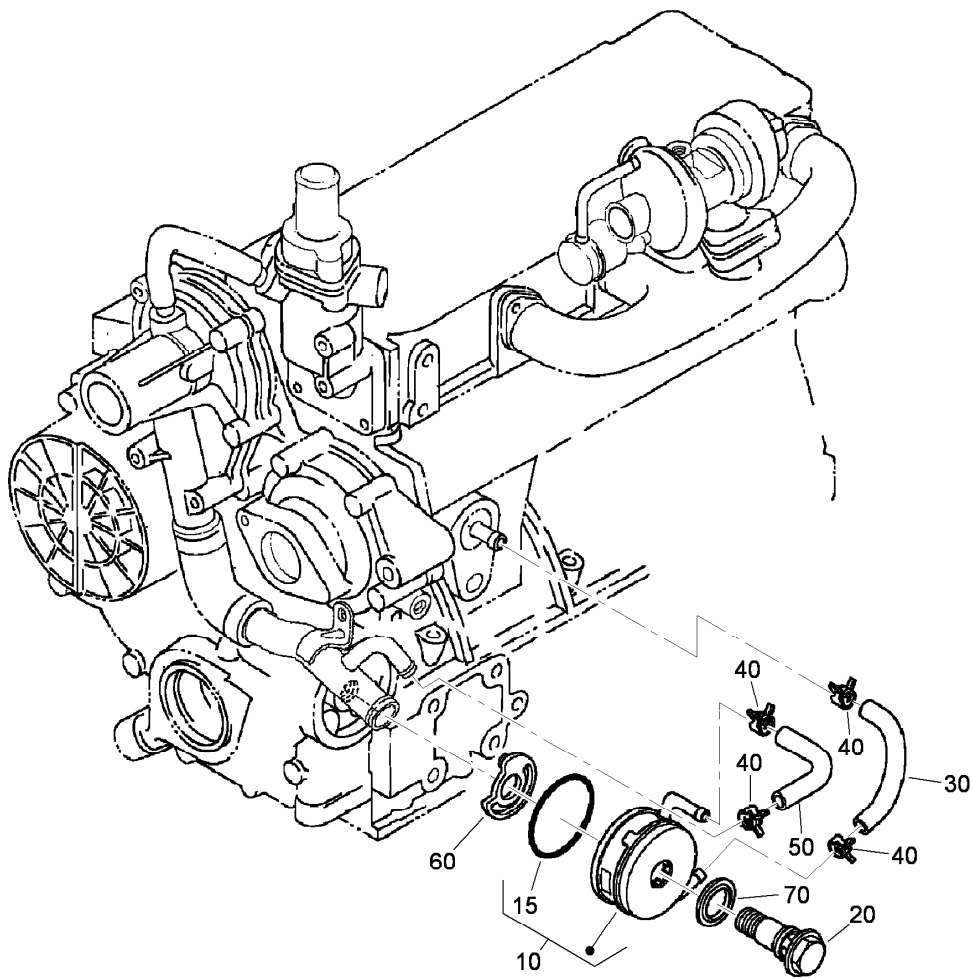
## Turbo Charger Assembly

<i>Ref.</i>	<i>Part Number</i>	<i>Qty.</i>	<i>Description</i>
10	108-1412	1	Turbo Charger ASM
15	108-1413	1	Hose ASM
17	108-1414	2	Clamp-Hose
20	105-3767	1	Gasket
30	98-7534	3	Nut
40	105-2893	3	Washer-Spring
50	99-8335	1	Flange-Muffler
60	105-3768	1	Gasket
70	105-2894	3	Bolt
80	105-2895	1	Bolt
90	98-7610	2	Bolt
100	98-7769	4	Stud
110	115-4101	1	Tube-Inlet, Turbo
120	115-4102	2	Band
130	115-4103	1	Pipe-Inlet, Breather



## Oil Pipe Assembly

<i>Ref.</i>	<i>Part Number</i>	<i>Qty.</i>	<i>Description</i>
10	108-4424	1	Oil Pipe ASM
20	115-4126	1	Bolt-Joint, Eye
30	99-8346	4	Gasket
40	115-4126	1	Bolt-Joint, Eye
50	108-4423	1	Oil Pipe ASM
60	108-4422	1	Gasket
70	98-7605	2	Bolt
80	105-3771	1	Oil Pipe ASM
90	98-9721	1	Pipe-Oil
100	98-9714	2	Clamp-Hose
110	98-9601	1	Clamp-Pipe
120	98-9591	1	Pin-Band



## Oil Cooler Assembly

<i>Ref.</i>	<i>Part Number</i>	<i>Qty.</i>	<i>Description</i>
10	108-4448	1	Oil Cooler ASM
15	112-7030	1	O-Ring
20	106-7054	1	Holder ASM
30	98-9724	1	Pipe-Cooler, Oil
40	98-9579	4	Band-Pipe
50	98-9578	1	Pipe-Return, Water
60	105-3774	1	Collar
70	108-4449	1	Washer

# Attachments and Accessories

## For 03813 Reelmaster 6700-D 4-Wheel Drive Traction Unit

<b>Product Name</b>	<b>Model/Part</b>
Turf Defender Electronic Leak Detector Kit .....	03521
7in, 8 Blade DPA (Radial) .....	03698
7in, 11 Blade DPA (Radial).....	03699
Verticutter (7in) .....	03877
Wheel Weight Kit .....	104-1478
Muffler-Spark Arrestor .....	104-5201
Premium All Season Hydraulic Fluid (55 Gallon Drum) .....	108-1177
Premium All Season Hydraulic Fluid (5 Gallon Pail).....	108-1178
Premium Heavy Duty All Season Gear Lube (Pail) .....	108-1188
Premium All Purpose Grease (Tube) .....	108-1190
Premium Heavy Duty All Season Gear Lube (Quart) .....	108-1591
Gauge Bar Assembly.....	108-6715
Two-Post Roll-Over Protection System.....	112-6505
Reel Tipper Kit.....	115-8008
Premium Synthetic Bio-Degradable Hydraulic Fluid (5 Gallon Pail) .....	119-2157
Premium Synthetic Bio-Degradable Hydraulic Fluid (55 Gallon Drum).....	119-2158
Premium Engine Oil 10w30 (55 Gallon Drum) .....	121-6392
Premium Engine Oil 10w30 (5 Gallon Pail) .....	121-6393
Brush and Handle Kit.....	29-9100
400-Hour Filter Maintenance Kit .....	30057
Arm Rest Kit.....	30707
Diagnostic Display Box.....	85-4750
Plastic Plug.....	93-7498

**Notes:**

**Notes:**



**Count on it.**