



**Count on it.**

**Parts Catalog**

**Cab Kit**

**Workman® MD/MDE/MDX/MDXD Utility Vehicle**

Model No. 07320—Serial No. 409000000 and Up



# Ordering Replacement Parts

To order replacement parts, please supply the part number, the quantity, and the description of each part desired.

## Understanding Reference Numbers

Each identified part in an illustration has a reference number. The reference number for a part also appears in the parts list, along with other information about the part.

This catalog uses two special reference number formats, one to indicate parts in a service assembly and another to indicate the quantity of a given part in an illustration.

## Service Assembly Reference Numbers

Parts in service assemblies have reference numbers in the form a:b. The a represents the reference number of the entire service assembly and the b represents a sequential number unique to each part within the service assembly.

For example, a wheel assembly might be identified by reference number 6, the tire by 6:1, the valve by 6:2, and the wheel by 6:3. When you order the assembly identified by reference number 6, you receive all parts identified by reference numbers 6:1, 6:2, and 6:3. However, you may also order any part individually. Reference numbers of this type appear in illustration and in parts lists.

## Reference Numbers Indicating Quantity

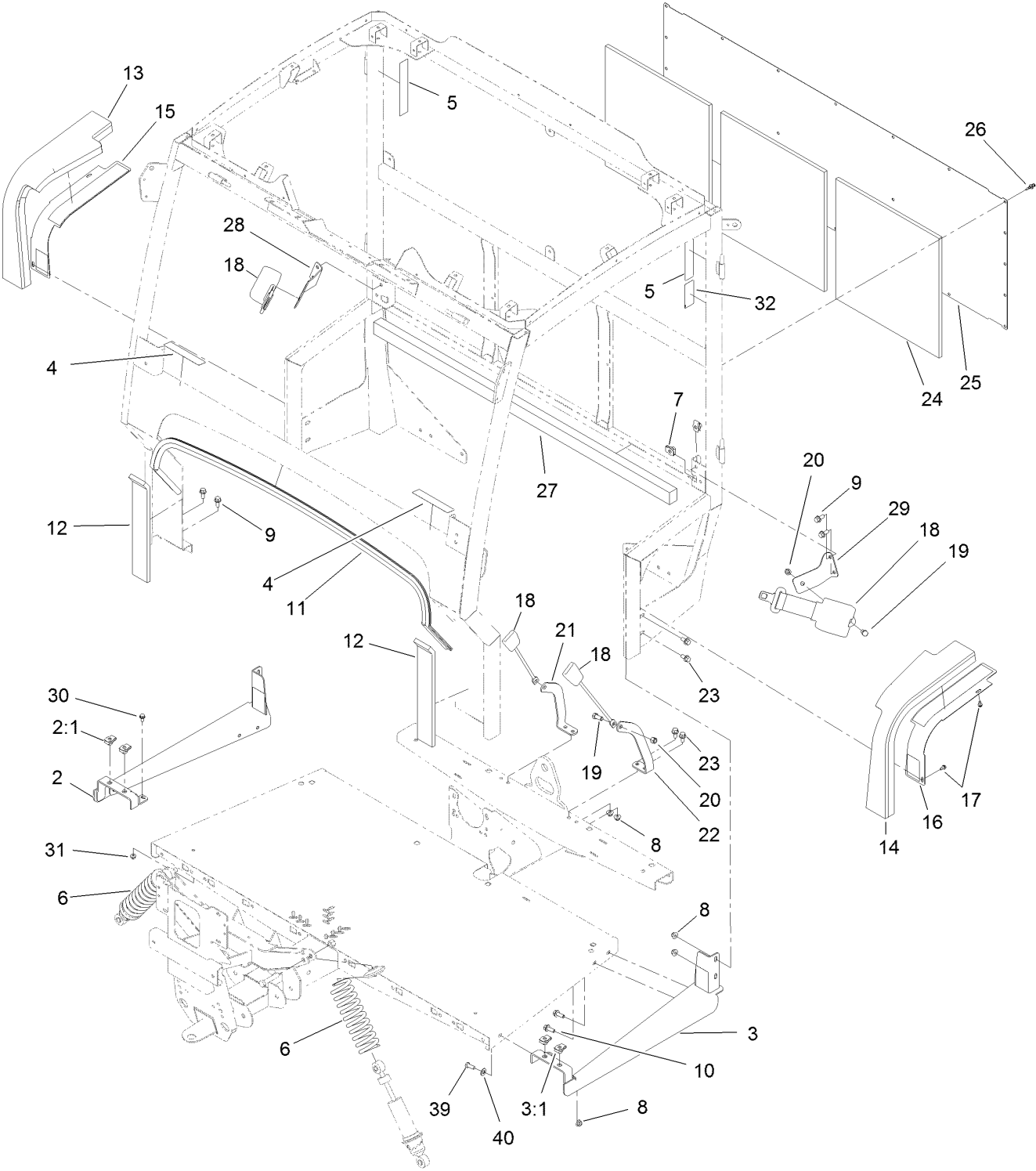
In an illustration, if a reference number indicates more than one part, the reference number has the form nX y. The n represents the quantity of the part, the X is the multiplication symbol, and the y represents the reference number.

For example, in an illustration, the reference number 2X 37 means that two of the parts identified by reference number 37 are indicated.

# Contents

Cab Mount and Seal Assembly .....	4
Roof, Wiper and Console Assembly .....	6
Headliner Wire Harness Assembly .....	8
Front and Rear Window Assembly .....	10

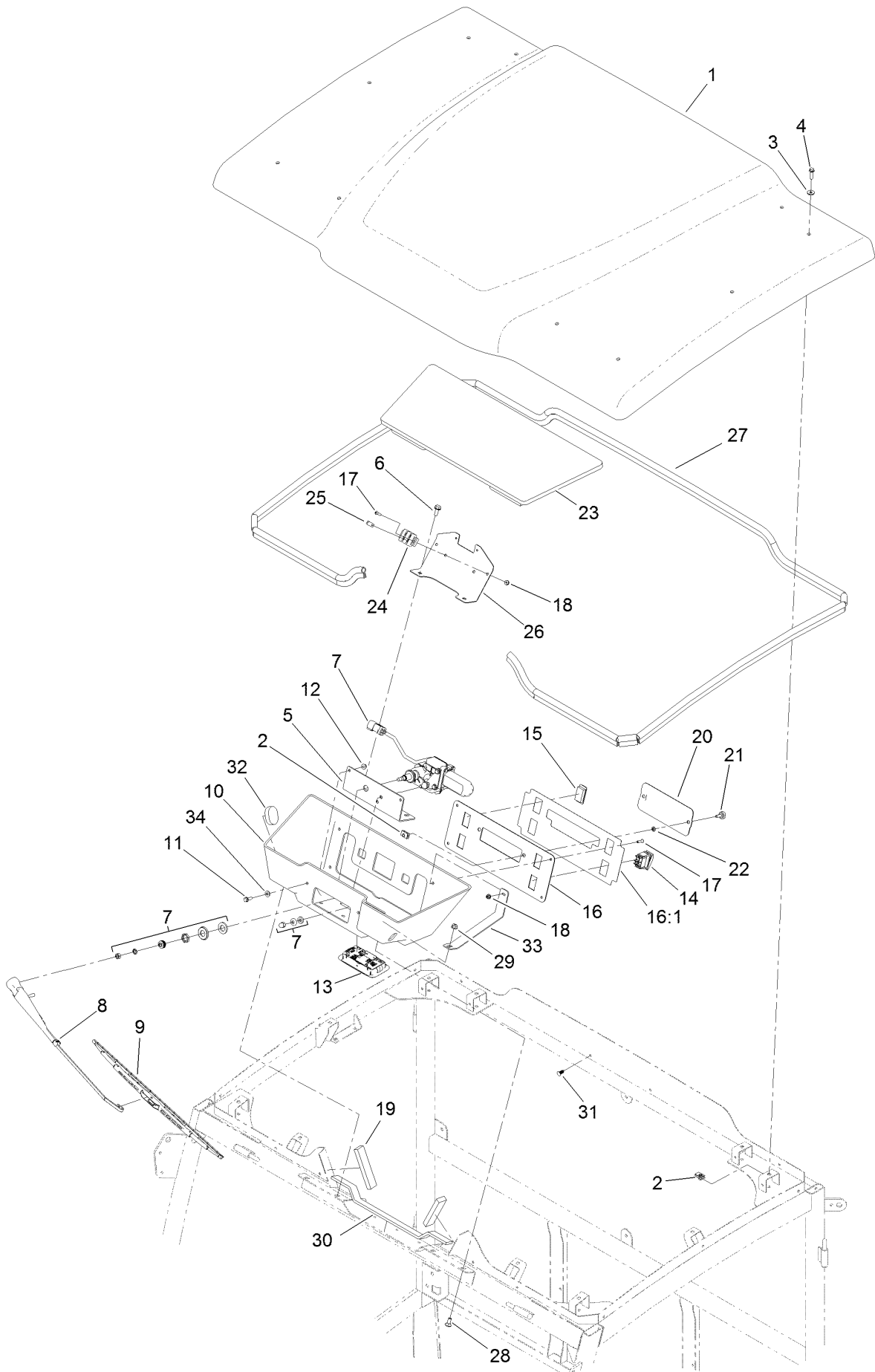
# Cab Mount and Seal Assembly



## Cab Mount and Seal Assembly (continued)

<i>Ref.</i>	<i>Part Number</i>	<i>Qty.</i>	<i>Description</i>	<i>Ref.</i>	<i>Part Number</i>	<i>Qty.</i>	<i>Description</i>
2	130-5633	1	RH Floor Mount ASM	18	100-4928	2	Belt-Seat
2:1	105-4886	2	Nut-Tinnerman	19	3212-4	4	Screw-HH
3	130-5634	1	LH Floor Mount ASM	20	3296-7	4	Nut-Lock
3:1	105-4886	2	Nut-Tinnerman	21	99-7802-03	1	Anchor-Seat Belt, RH
4	130-5964	2	Decal-Window, Pin	22	99-7803-03	1	Anchor-Seat Belt, LH
5	117-4955	2	Decal-Danger, ROPS (CE)	23	3234-1	14	Screw-HHF
6	133-0629	2	Spring-Compression	24	125-9969	3	Foam-Upholstery, Rear
7	105-4886	4	Nut-Tinnerman	25	125-9978	1	Plate-Panel, Rear
8	104-8301	20	Nut-HF, NI	26	125-9622	22	Rivet-Blind
9	3234-25	8	Screw-HHF	27	125-9947	1	Foam-Strip, Rear
10	3234-42	4	Screw-HHF	28	127-9875-03	1	Bracket-Seatbelt, RH
11	127-9985	1	Trim-Seal, Bulb	29	125-9977-03	1	Bracket-Seatbelt, LH
12	125-9940	2	Foam-Pad	30	3234-47	2	Screw-HHF
13	125-9941	1	Foam-Side, RH	31	104-8300	2	Nut-HF, NI
14	125-9942	1	Foam-Side, LH	32	93-9850	1	Decal-ROPS, CE
15	130-5431	1	Mount-Foam, RH	39	323-5	2	Screw-HH
16	130-5432	1	Mount-Foam, LH	40	3256-25	2	Washer-Flat
17	32104-17	4	Screw-HWH				

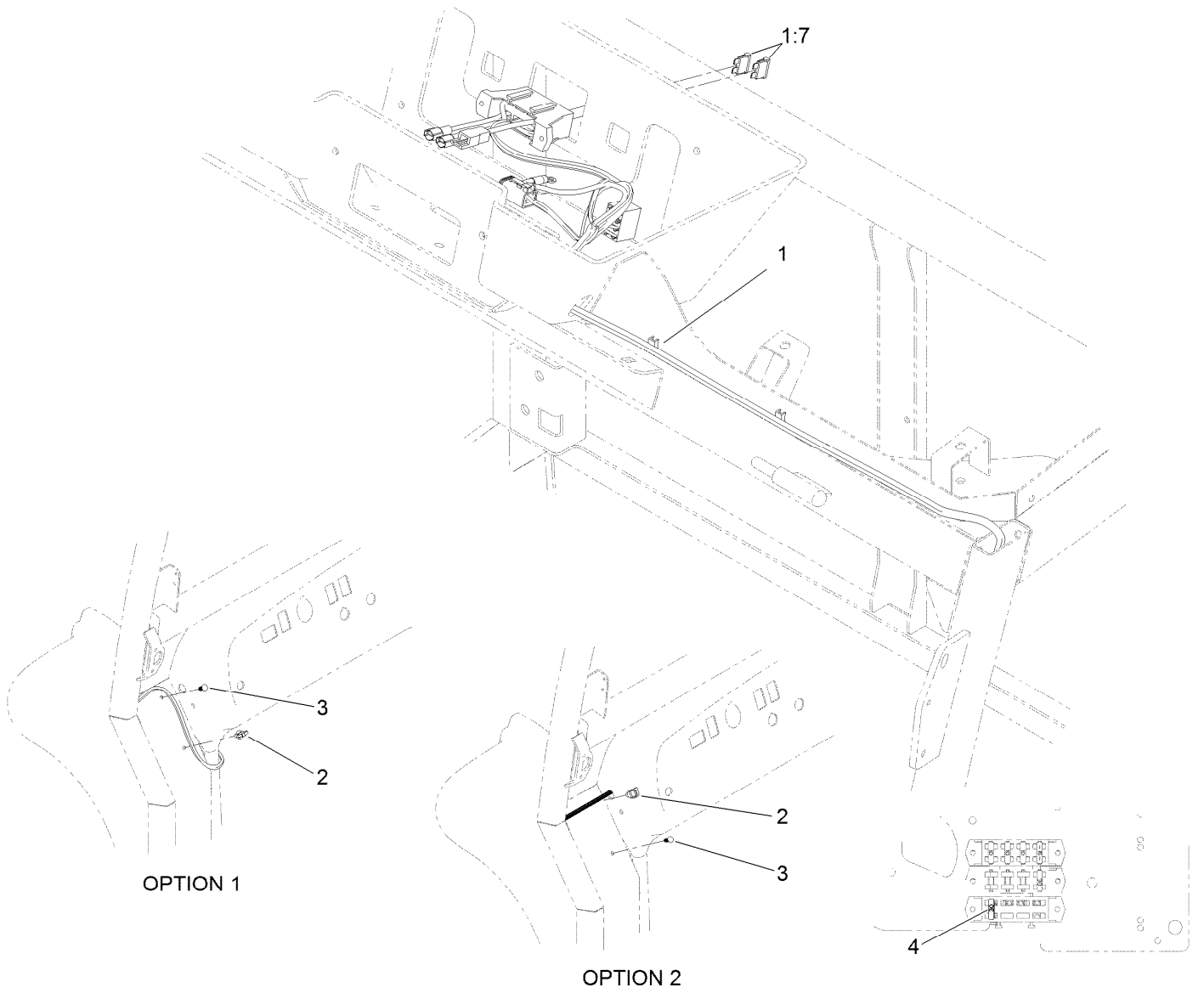
# Roof, Wiper and Console Assembly



## Roof, Wiper and Console Assembly (continued)

<i>Ref.</i>	<i>Part Number</i>	<i>Qty.</i>	<i>Description</i>	<i>Ref.</i>	<i>Part Number</i>	<i>Qty.</i>	<i>Description</i>
1	136-1972	1	Roof-Cab	18	120-4578	8	Nut-HF
2	107069	12	Clip	19	130-5438	2	Foam-Strip
3	119-0872	10	Washer-Sealing, Bonded	20	125-9603-03	1	Plate-Cover, Fuse
4	120-4654	10	Screw-HHF	21	125-7438	2	Knob-Screw, Thumb
5	127-9990-03	1	Bracket-Motor, Wiper	22	32115-15	2	Nut-Push
6	32144-11	3	Screw-HWH	23	130-5437	1	Foam-Plug, Console
7	130-6087	1	Wiper Motor ASM	24	42862	1	Block-Terminal, Ground
8	127-9878	1	Arm-Wiper	25	42863	1	Strip-Jumper
9	130-5829	1	Blade-Wiper	26	130-5727-03	1	Mount-Block, Fuse
10	125-9972	1	Console-Roof, Top	27	130-5408	1	Trim-Seal, Bulb
11	32105-15	2	Screw-HWH	28	3230-1	2	Bolt-CARR
12	104-7201	2	Nut-HF, NI	29	104-8300	2	Nut-HF, NI
13	125-7437	1	Light-Dome	30	130-5617	1	Foam-Strip
14	119-8355	1	Switch-Rocker	31	114-4899	12	Rivet-Push
15	99-7420	3	Plug-Hole	32	130-5488	1	Plug-Console
16	130-5444	1	Console Panel ASM	33	130-5609-03	2	Strap-Support, Console
16:1	130-5439	1	Decal-Console	34	3256-1	2	Washer-Flat
17	104-2408	8	Screw-HSBH				

# Headliner Wire Harness Assembly



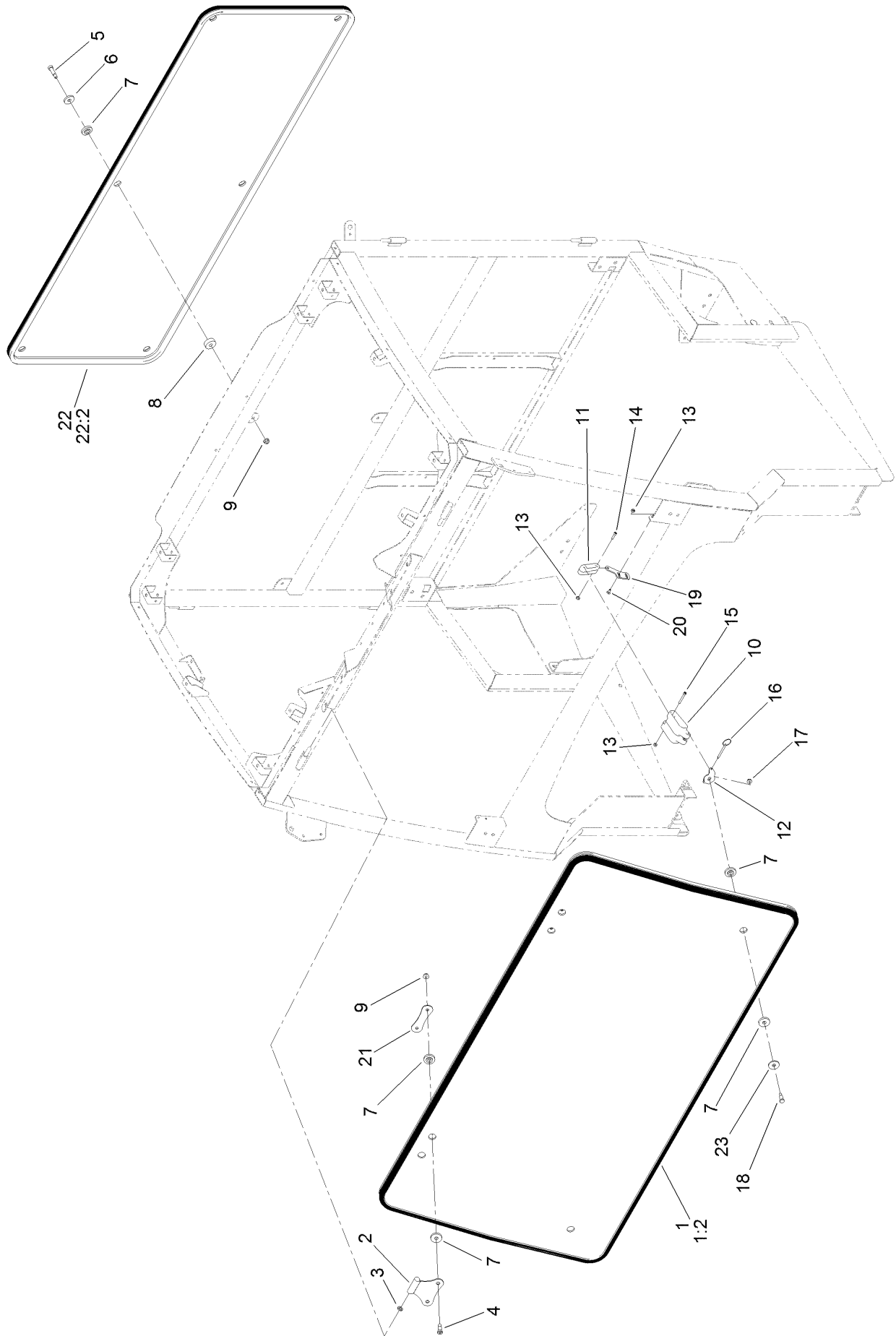


## Headliner Wire Harness Assembly (continued)

<i>Ref.</i>	<i>Part Number</i>	<i>Qty.</i>	<i>Description</i>
1	122-0843	1	Harness-Wire, Headliner
1:7	109355	2	Fuse-Blade, 15 Amp
2	32180-030	1	Clip-Tie

<i>Ref.</i>	<i>Part Number</i>	<i>Qty.</i>	<i>Description</i>
3	114-4899	1	Rivet-Push
4	109103	1	Fuse-Blade, 30 Amp

# Front and Rear Window Assembly



## Front and Rear Window Assembly (continued)

<i>Ref.</i>	<i>Part Number</i>	<i>Qty.</i>	<i>Description</i>	<i>Ref.</i>	<i>Part Number</i>	<i>Qty.</i>	<i>Description</i>
1	130-5693	1	Front (Upper) Window ASM	13	120-9681	8	Nut-Lock, NI
1:2	125-9962	1	Trim-Window	14	3274-14	2	Screw-HSH
2	121-8535-03	2	Hinge-Window	15	3274-59	2	Screw-HSH
3	121-8441	2	Washer-Spacer	16	127-9850	2	Pin-Release, Quick
4	125-9520	4	Screw-Shoulder, HSH	17	104-7201	2	Nut-HF, NI
5	125-9521	6	Screw-Shoulder, HSH	18	144-3675	2	Spacer-Mount ●
6	130-5815	6	Washer-Backup	18	3234-21	2	Screw-HHF
7	125-9982	18	Bushing-Flange	19	130-0590	2	Mount-Tab
8	125-9537	6	Bushing-Flange	20	1-807513	4	Bolt-CARR
9	104-8300	10	Nut-HF, NI	21	144-3307	2	Plate-Backer, Windshield
10	125-9792	2	Handle-Window	22	130-5694	1	Rear Window ASM
11	125-9793	2	Link-Window	22:2	125-9965	1	Trim-Window
12	144-3308	2	Mount-Latch	23	125-9676	2	Washer-Backup

● Not illustrated



**Count on it.**