



**Count on it.**

**Parts Catalog**

**21in Walk-Behind Aerator**

Model No. 23515—Serial No. 313000001 and Up

Model No. 33515—Serial No. 313000001 and Up



# Ordering Replacement Parts

To order replacement parts, please supply the part number, the quantity, and the description of each part desired.

## Understanding Reference Numbers

Each identified part in an illustration has a reference number. The reference number for a part also appears in the parts list, along with other information about the part.

This catalog uses two special reference number formats, one to indicate parts in a service assembly and another to indicate the quantity of a given part in an illustration.

## Service Assembly Reference Numbers

Parts in service assemblies have reference numbers in the form a:b. The a represents the reference number of the entire service assembly and the b represents a sequential number unique to each part within the service assembly.

For example, a wheel assembly might be identified by reference number 6, the tire by 6:1, the valve by 6:2, and the wheel by 6:3. When you order the assembly identified by reference number 6, you receive all parts identified by reference numbers 6:1, 6:2, and 6:3. However, you may also order any part individually. Reference numbers of this type appear in illustration and in parts lists.

## Reference Numbers Indicating Quantity

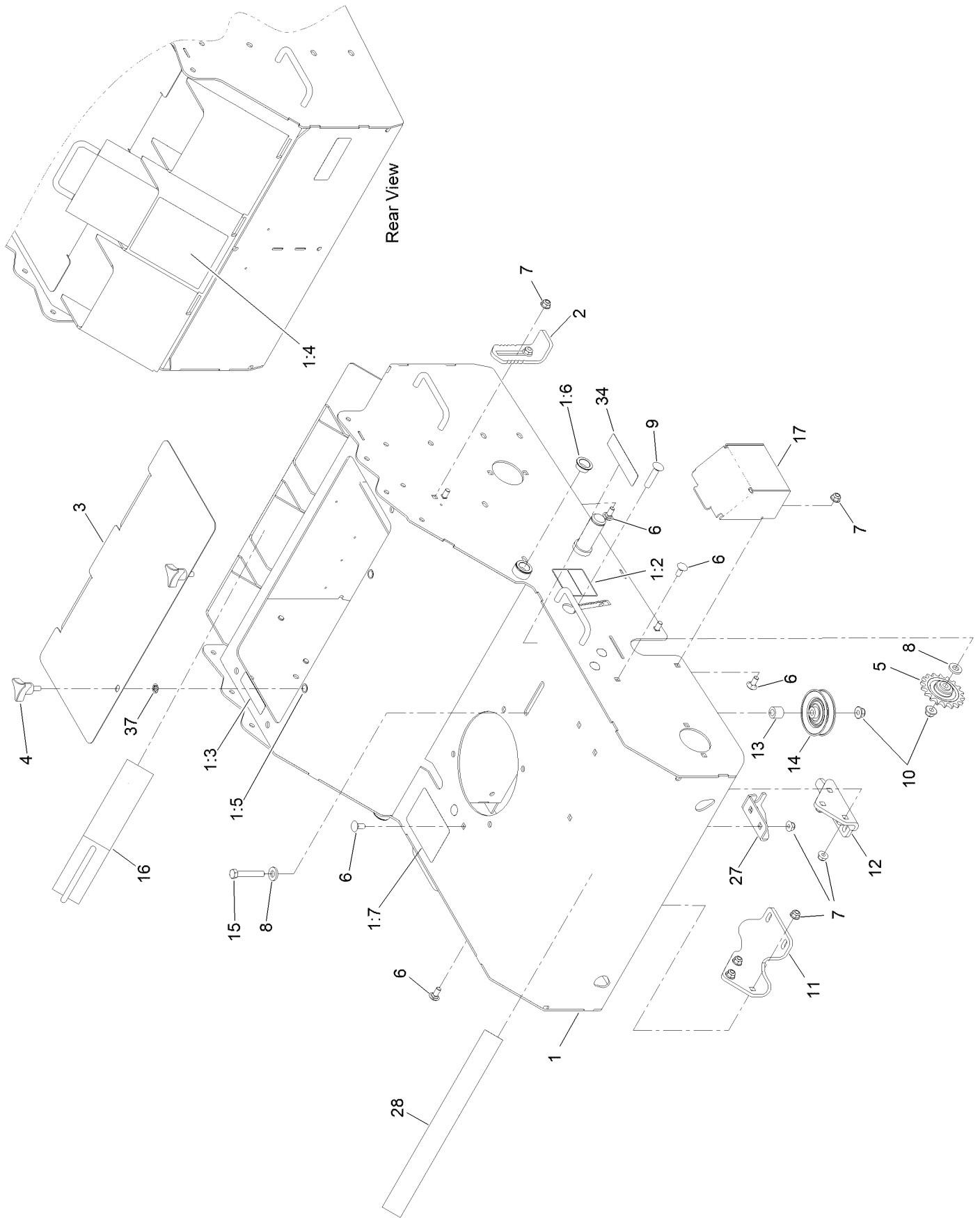
In an illustration, if a reference number indicates more than one part, the reference number has the form nX y. The n represents the quantity of the part, the X is the multiplication symbol, and the y represents the reference number.

For example, in an illustration, the reference number 2X 37 means that two of the parts identified by reference number 37 are indicated.

# Contents

- Engine Frame Assembly ..... 4
- Engine and Fuel Tank Assembly ..... 6
- Drive Assembly ..... 8
- Handle Assembly ..... 10
- Height Linkage Assembly ..... 12
- Tine Assembly ..... 14

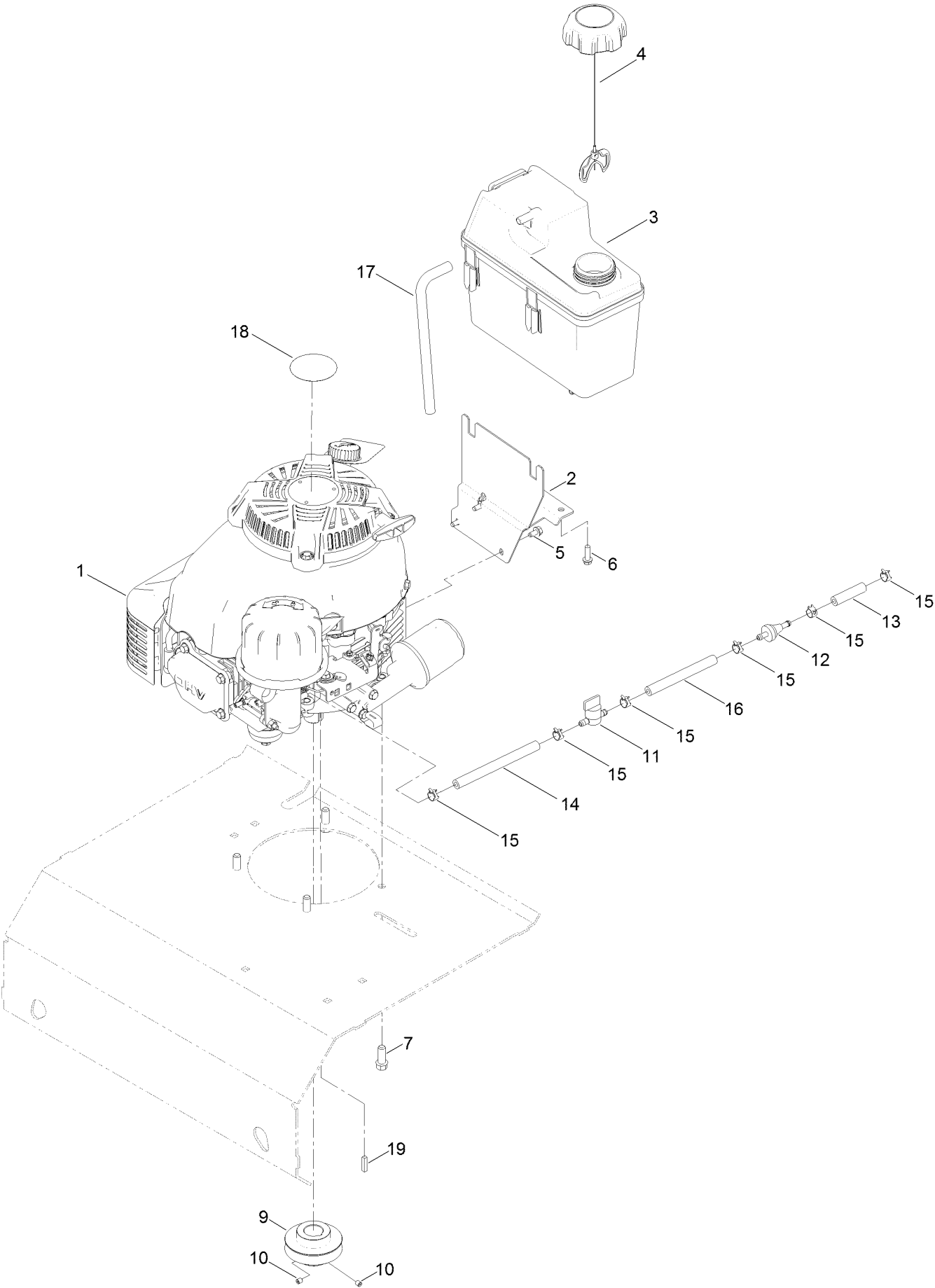
# Engine Frame Assembly



## Engine Frame Assembly (continued)

<i>Ref.</i>	<i>Part Number</i>	<i>Qty.</i>	<i>Description</i>	<i>Ref.</i>	<i>Part Number</i>	<i>Qty.</i>	<i>Description</i>
1	116-9867	1	Frame ASM	9	3231-29	2	Screw-CARR
1:2	121-6150	2	Decal-Warning	10	104-8301	3	Nut-HF, NI
1:3	119-0217	1	Decal-Danger	11	121-4948-03	1	Bracket-Mount Axle, RH
1:4	126-0651	1	Decal-Warning	12	121-4949-03	1	Bracket-Mount Axle, LH
1:5	32148-7	2	Nut-Clinch	13	121-6087	1	Bushing-Idler
1:6	108519	2	Bushing-Bronze	14	62-4530	1	Pulley
1:7	126-1209	1	Decal-Service Aid	15	323-11	1	Screw-HH
2	116-9886	2	Stop-Depth	16	121-6080	1	Weight-Aerator
3	126-0974-01	1	Cover-Access	17	121-1981-01	2	Cover-Transaxle
4	109-3351	2	Knob	27	121-6056	1	Bracket-Mounting, Cable
5	121-4915	2	Sprocket-Idler	28	121-6176	1	Decal
6	3230-1	16	Bolt-CARR	34	117-2718	1	Decal-Arrester, Spark
7	104-8300	16	Nut-HF, NI	37	117-2749	2	Nut-Push
8	87-7480	3	Washer				

# Engine and Fuel Tank Assembly



## Engine and Fuel Tank Assembly (continued)

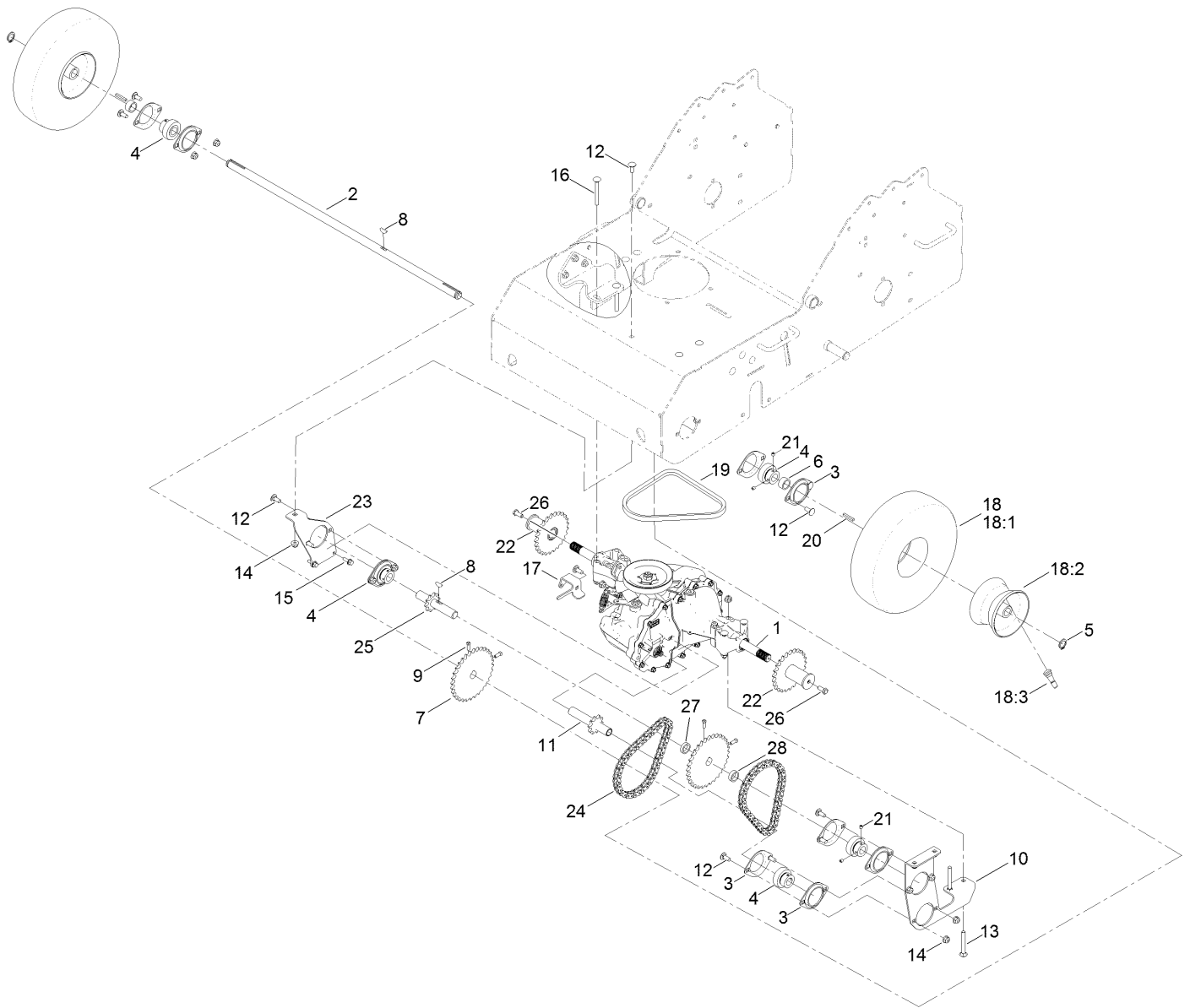
<i>Ref.</i>	<i>Part Number</i>	<i>Qty.</i>	<i>Description</i>	<i>Ref.</i>	<i>Part Number</i>	<i>Qty.</i>	<i>Description</i>
1		1	Engine-Kawasaki ●■	11	1-603770	1	Valve-Fuel
2	115-0954-03	1	Mount-Tank	12	71-9280	1	Filter-Fuel
3	125-5066	1	Tank-Fuel	13	99-9415	1	Hose-Fuel
4	109-6776	1	Cap-Ratchet, Tethered	14	109-0300	1	Hose-Fuel
5	104-2628	3	Screw	15	2412-98	6	Clamp-Hose
6	46-8091	2	Screw-HWH	16	109-0650	1	Hose-Fuel
7	95-1726	4	Screw-Taptite	17	115-0962	1	Hose-Vent, Canister
9	126-0839	1	Pulley-Driver	18	110-0520	1	Decal
10	3245-35	2	Screw-Set, HSH ▲	19	6366	1	Key

● Not serviced separately

▲ Use Pro-Lock, Nut Type (P/N 1-840022, .5ml tube) on threads.

■ Obtain parts from [www.kawpower.com](http://www.kawpower.com)

# Drive Assembly



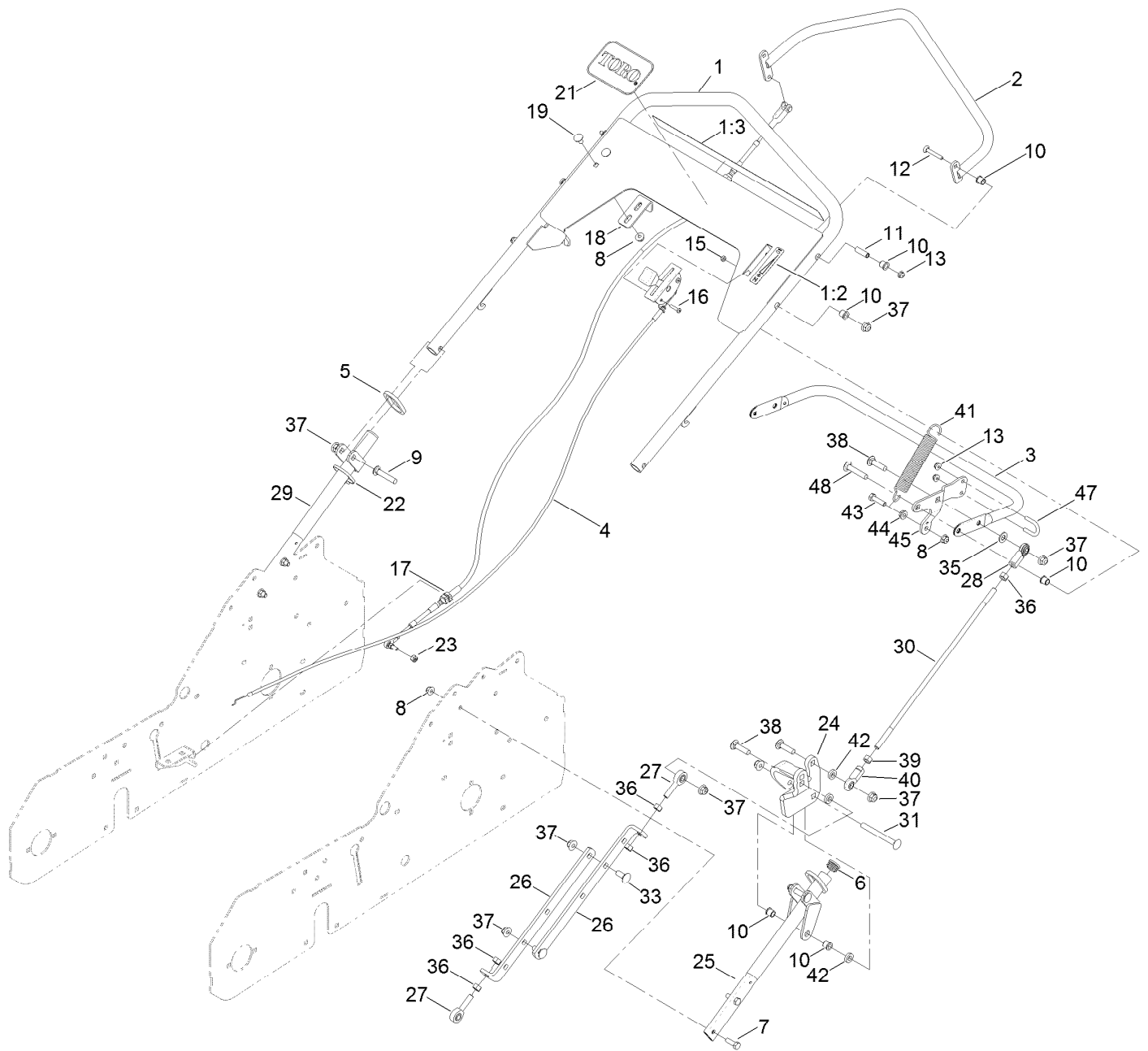


## Drive Assembly (continued)

<i>Ref.</i>	<i>Part Number</i>	<i>Qty.</i>	<i>Description</i>	<i>Ref.</i>	<i>Part Number</i>	<i>Qty.</i>	<i>Description</i>
1	121-4899	1	Transaxle ASM	17	121-6067	1	Angle-Control
2	121-4927	1	Shaft-Wheel	18	120-3550	2	Wheel ASM
3	105-9714	10	Flange-Bearing	18:1	121-6081	1	Tire
4	120-9350	5	Bearing-Lock, Collar	18:2	121-6082	1	Wheel-Rim
5	32120-93	2	Ring-Retaining	18:3	5108	1	Valve
6	121-4931	2	Spacer-Wheel	19	121-1999	1	Belt-Drive
7	121-4934	2	Sprocket	20	92-0049	2	Key-Square
8	3257-5	2	Key-Woodruff	21	3245-35	10	Screw-Set, HSH ●
9	3241-5	4	Screw-Set ●	22	116-9860	2	Sprocket
10	121-4936-03	1	Plate-Bearing	23	121-4932-03	1	Bracket-Support, Shaft
11	121-4937	1	Shaft-Output	24	121-6105	2	Chain-Drive Wheel
12	3230-23	14	Bolt-CARR	25	121-6108	1	Shaft-Jack
13	3230-8	2	Screw-CARR	26	3235-6	2	Screw-HH ●
14	104-8300	20	Nut-HF, NI	27	105-3828	1	Spacer
15	3234-4	2	Screw-HHF	28	94-9524	1	Spacer-Control
16	3230-9	4	Screw-CARR				

● Use Pro-Lock, Nut Type (P/N 1-840022, .5ml tube) on threads.

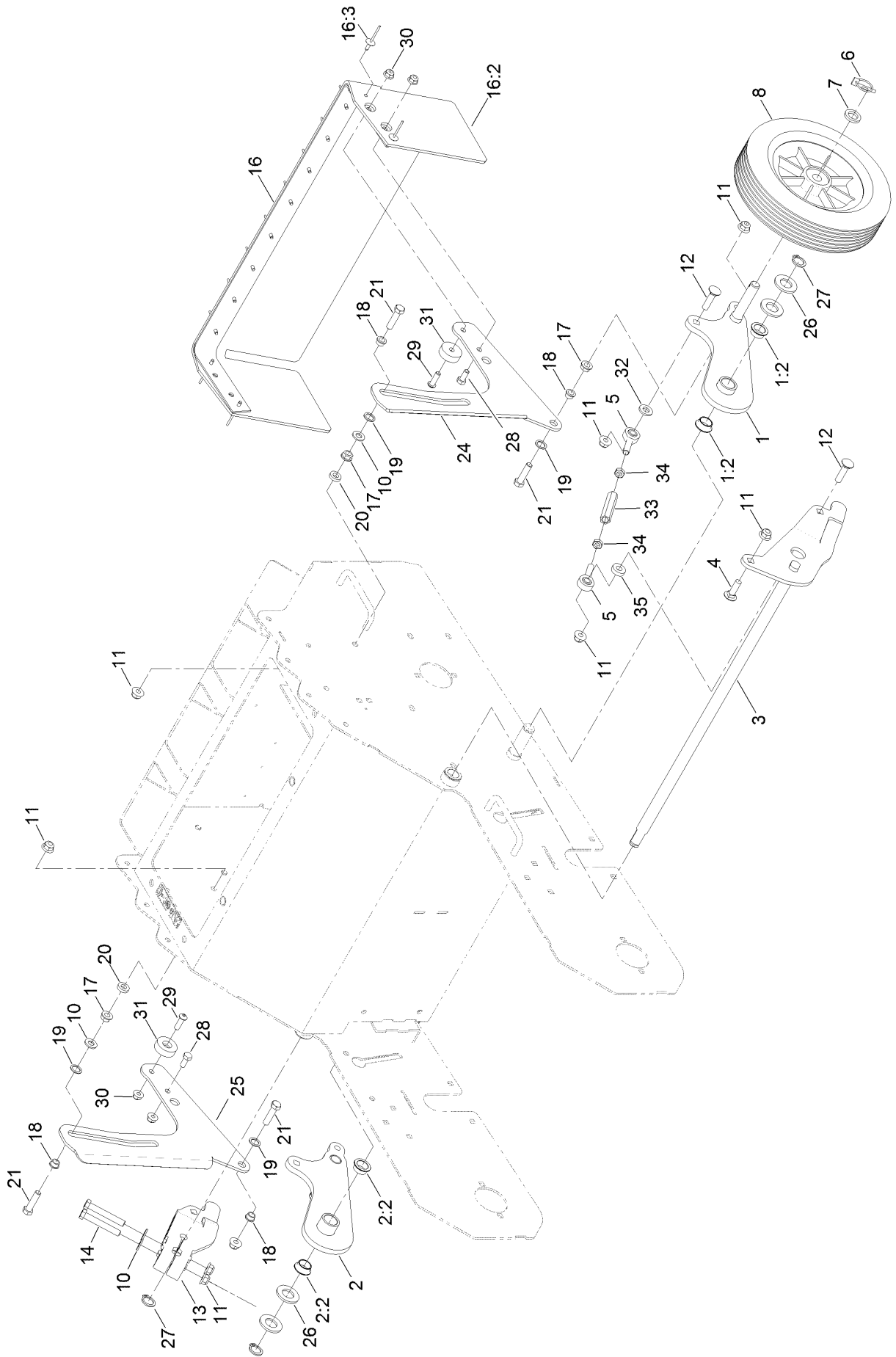
# Handle Assembly



## Handle Assembly (continued)

<i>Ref.</i>	<i>Part Number</i>	<i>Qty.</i>	<i>Description</i>	<i>Ref.</i>	<i>Part Number</i>	<i>Qty.</i>	<i>Description</i>
1	126-0639	1	Handle ASM	24	126-1656-03	1	Bracket-Trunnion
1:2	121-6151	1	Decal-Throttle, Choke	25	116-9883-03	1	Handle-Lower, LH
1:3	116-8699	1	Decal-Aerator Control Panel	26	126-0841-03	2	Link-Lift
2	121-6053-03	1	Tube-Control	27	1-613204	2	Balljoint
3	116-9873-03	1	Tube-Handle Lift	28	103-0608	1	Joint-Ball, End
4	116-9898	1	Control-Throttle	29	121-1893-03	1	Handle-Lower
5	121-6202	2	Ring-Handle Lock	30	116-9893	1	Rod-Upper Link
6	121-4870	2	Plug	31	3231-24	1	Screw-CARR
7	322-5	4	Screw-HH	33	3231-2	2	Bolt-CARR
8	104-8300	7	Nut-HF, NI	35	3256-24	1	Washer-Flat
9	3231-6	2	Screw-CARR	36	3219-3	5	Nut-Hex
10	103-9928	10	Bearing	37	104-8301	9	Nut-HF, NI
11	121-6060	3	Bushing-Pivot	38	3231-4	3	Screw-CARR
12	3229-5	3	Screw-CARR	39	3219-20	1	Nut-Hex, LH
13	104-7201	5	Nut-HF, NI	40	103-1167	1	Joint-Ball End, LH
15	3296-2	2	Nut-Lock, NI	41	106-2177	1	Spring-Extension
16	3250-27	2	Screw-PPH	42	80-7730	3	Spacer
17	121-6068	1	Cable	43	322-6	1	Screw-HH
18	121-6057	1	Angle-Stop	44	32128-20	1	Nut-HF
19	3230-18	2	Screw-CARR	45	126-1657-03	1	Bracket-Spring
21	67-1300	1	Decal	47	01-170-0040	1	U-Bolt
22	3290-378	1	Tie-Cable	48	117-9971	1	Bolt-Carriage
23	3296-3	1	Nut-Lock				

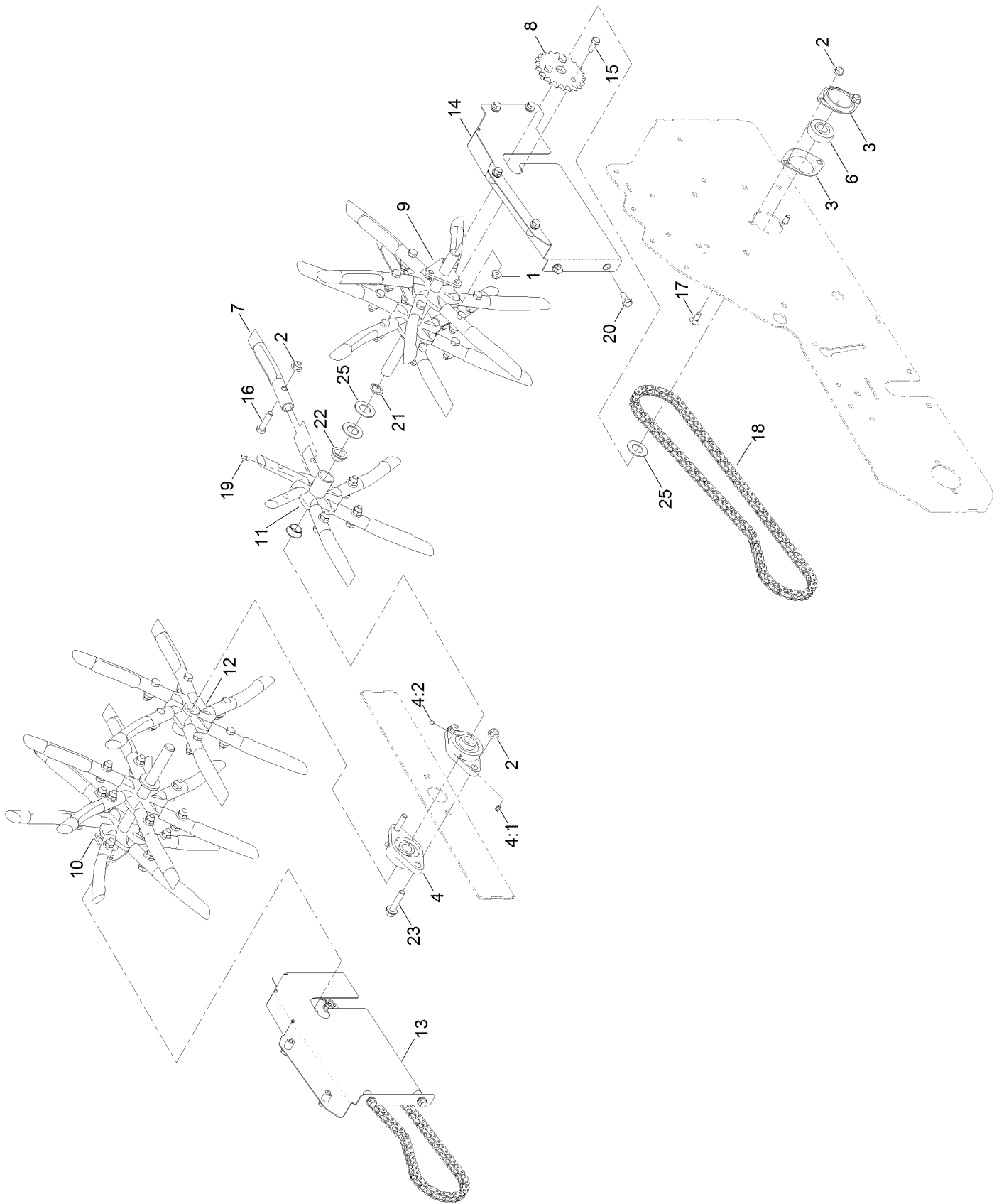
# Height Linkage Assembly



## Height Linkage Assembly (continued)

<i>Ref.</i>	<i>Part Number</i>	<i>Qty.</i>	<i>Description</i>	<i>Ref.</i>	<i>Part Number</i>	<i>Qty.</i>	<i>Description</i>
1	126-0829	1	Wheel Arm ASM-LH W/Brgs	17	3290-357	4	Nut-HSF
1:2	108519	2	Bushing-Bronze	18	1-603735	4	Bushing-Flanged
2	126-0830	1	Wheel Arm ASM-RH W/Brgs	19	94-8196	4	Washer-Nylon
2:2	108519	2	Bushing-Bronze	20	80-7730	2	Spacer
3	126-1343	1	Shaft-Pivot	21	323-8	4	Screw-HH
4	3231-25	1	Bolt-CARR	24	126-0824-01	1	Guard-Arm, LH
5	1-613204	4	Balljoint	25	126-0825-01	1	Guard-Arm, RH
6	3290-495	2	Pin-Klik	26	3256-28	4	Washer-Flat
7	63-9710	2	Spacer-Bearing	27	32120-93	3	Ring-Retaining
8	121-4897	2	Wheel-Transport 10"	28	322-3	2	Screw-HH
10	3256-24	4	Washer-Flat	29	109-4872	2	Screw-HSH
11	104-8301	11	Nut-HF, NI	30	104-8300	4	Nut-HF, NI
12	3231-4	4	Screw-CARR	31	116-8331	2	Guide-Arm, Trail
13	126-1345-03	1	Arm-Lift, RH	32	87-7480	2	Washer
14	323-12	2	Screw-HH	33	116-9855	2	Rod-Lift Link
16	126-0564	1	Guard-Foot	34	3220-3	4	Nut-HJ
16:2	116-9884	1	Foot-Shield	35	5-0652	2	Spacer
16:3	3269-20	12	Rivet-Pop				

# Tine Assembly



## Tine Assembly (continued)

<i>Ref.</i>	<i>Part Number</i>	<i>Qty.</i>	<i>Description</i>	<i>Ref.</i>	<i>Part Number</i>	<i>Qty.</i>	<i>Description</i>
1	104-8300	10	Nut-HF, NI	13	126-1204	1	RH Chain Guard ASM
2	104-8301	38	Nut-HF, NI	14	126-1206	1	LH Chain Guard ASM
3	105-9714	4	Flange-Bearing	15	322-4	6	Screw-HH
4	106-7126	2	Bearing-Flange	16	323-8	36	Screw-HH
4:1	302-58	1	Fitting-Straight	17	3230-1	4	Bolt-CARR
4:2	3245-35	2	Screw-Set, HSH	18	121-6107	2	Chain-Drive
6	120-9350	2	Bearing-Lock, Collar	19	302-19	2	Fitting-Grease
7	121-4894	36	Tine-Coring	20	3234-47	12	Screw-HHF
8	116-9896	2	Sprocket-#40 22T	21	32120-93	2	Ring-Retaining
9	121-4930	1	Wheel-Tine, LH	22	108519	4	Bushing-Bronze
10	121-6072	1	Wheel-Tine, RH	23	3234-19	2	Screw-HHF
11	121-6099	1	Tine-Spyder	25	69-8930	6	Washer
12	121-6096	1	Tine-Spyder				



**Count on it.**