



**Count on it.**

**Parts Catalog**

**Reelmaster® 5210 Traction Unit**

Model No. 03660—Serial No. 313000001 and Up



# Ordering Replacement Parts

To order replacement parts, please supply the part number, the quantity, and the description of each part desired.

## Understanding Reference Numbers

Each identified part in an illustration has a reference number. The reference number for a part also appears in the parts list, along with other information about the part.

This catalog uses two special reference number formats, one to indicate parts in a service assembly and another to indicate the quantity of a given part in an illustration.

## Service Assembly Reference Numbers

Parts in service assemblies have reference numbers in the form a:b. The a represents the reference number of the entire service assembly and the b represents a sequential number unique to each part within the service assembly.

For example, a wheel assembly might be identified by reference number 6, the tire by 6:1, the valve by 6:2, and the wheel by 6:3. When you order the assembly identified by reference number 6, you receive all parts identified by reference numbers 6:1, 6:2, and 6:3. However, you may also order any part individually. Reference numbers of this type appear in illustration and in parts lists.

## Reference Numbers Indicating Quantity

In an illustration, if a reference number indicates more than one part, the reference number has the form nX y. The n represents the quantity of the part, the X is the multiplication symbol, and the y represents the reference number.

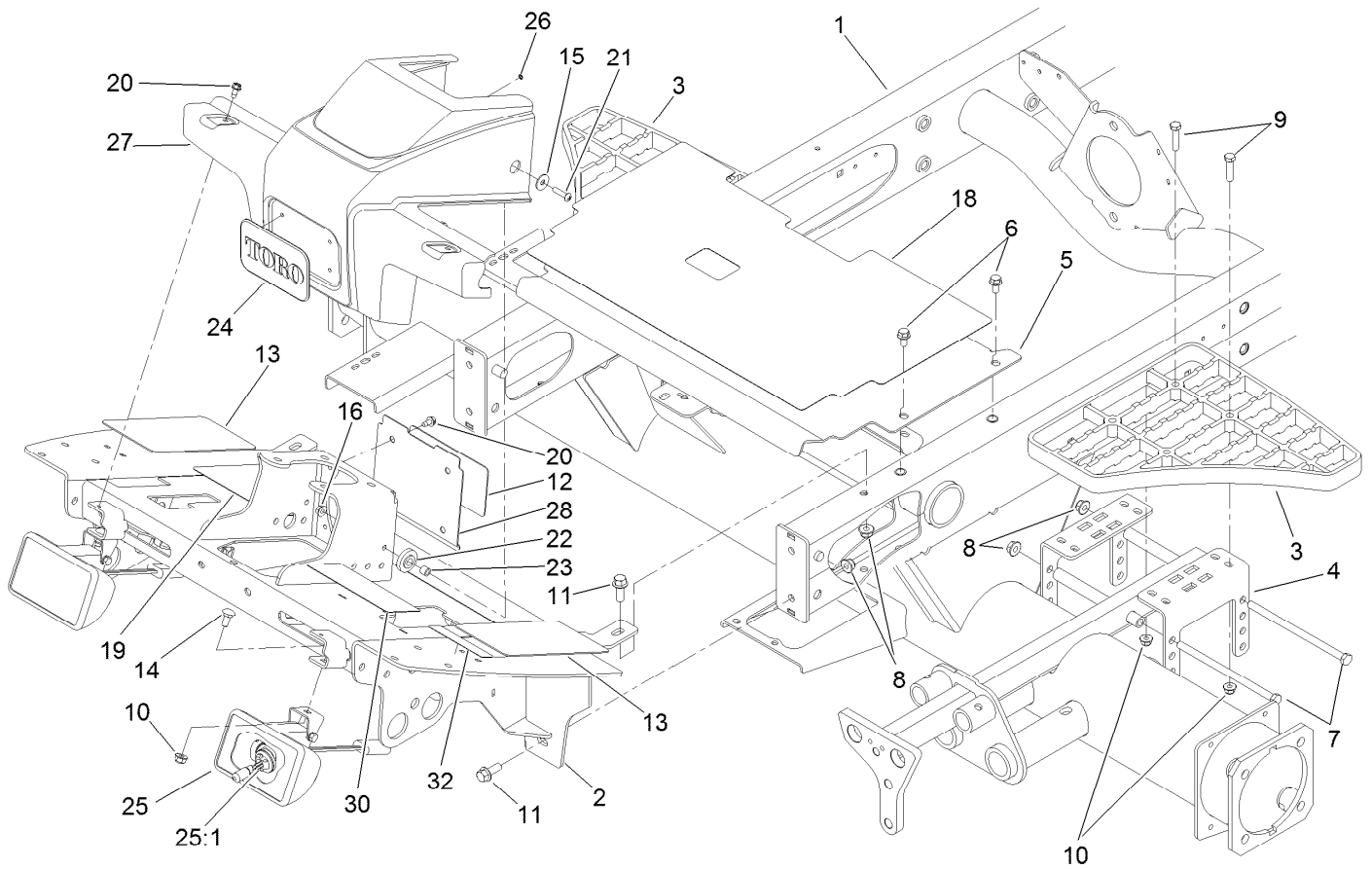
For example, in an illustration, the reference number 2X 37 means that two of the parts identified by reference number 37 are indicated.

# Contents

Front Frame Assembly	5
Steering Valve Hydraulic Plumbing Assembly	6
Steering Tilt Column Assembly No. 106-3622	7
Steering Valve Assembly No. 106-3621	8
Traction Pedal Assembly	9
Brake Pedal Assembly	10
Seat and Armrest Assembly	11
Seat Base and Suspension Assembly	12
Mechanical Seat Suspension Assembly No. 110-8851	13
Console and Control Arm Assembly	14
Joystick Bracket Assembly No. 120-5280	16
Hydraulic Tank Assembly	17
Fuel Tank Assembly	19
Front Wheel, Brake and Hydraulic Motor Assembly	20
Hydraulic Motor Assembly No. 120-6281 (CCW)	22
Hydraulic Motor Assembly No. 120-6282 (CW)	23
LH Brake Assembly No. 120-6261	24
RH Brake Assembly No. 120-6260	25
Driveshaft and Variable Pump Hydraulic Fitting Assembly	26
Driveshaft Assembly No. 107-2025	27
Hydraulic Pump Assembly No. 119-6972	28
Gear Pump Hydraulic Plumbing Assembly	30
Gear Pump Assembly No. 107-4547	31
Engine Mounting and Electrical Assembly	32
Engine Air Intake and Exhaust Assembly	33
Air Cleaner Assembly No. 106-5277	34
Fuel System Delivery Assembly	35
Radiator and Hydraulic Cooler Assembly	36
Hydraulic Lift Block and Plumbing Assembly	37
Hydraulic Manifold Block Assembly No. 105-7577	38
Reel Control Block Hydraulic Plumbing Assembly	39
Hydraulic Manifold Block Assembly No. 110-8969	40
Rear Reel Drive System Plumbing and Front Hose Assembly	41
Hydraulic Motor Assembly No. 112-9200	43
Front Lift Cylinder and Plumbing Assembly	44
Hydraulic Cylinder Assembly No. 119-6988	45
Hydraulic Cylinder Assembly No. 119-6987	46
Front Lift Arm Assembly	47
Rear Lift Cylinder and Plumbing Assembly	48
Rear Lift Arm Assembly	49
Rear Axle Assembly	50
Tie Rod Assembly No. 110-5334-03	52
Hydraulic Cylinder Assembly No. 110-9035	53
Battery and Bumper Assembly	54
Hood and Body Panel Assembly	55
Crankcase Assembly	56
Oil Pan Assembly	57
Cylinder Head Assembly	58
Gear Case Assembly	59
Head Cover Assembly	60
Dipstick and Guide Assembly	61
Main Bearing Case Assembly	62
Camshaft and Idle Gear Shaft Assembly	63
Piston and Crankshaft Assembly	64

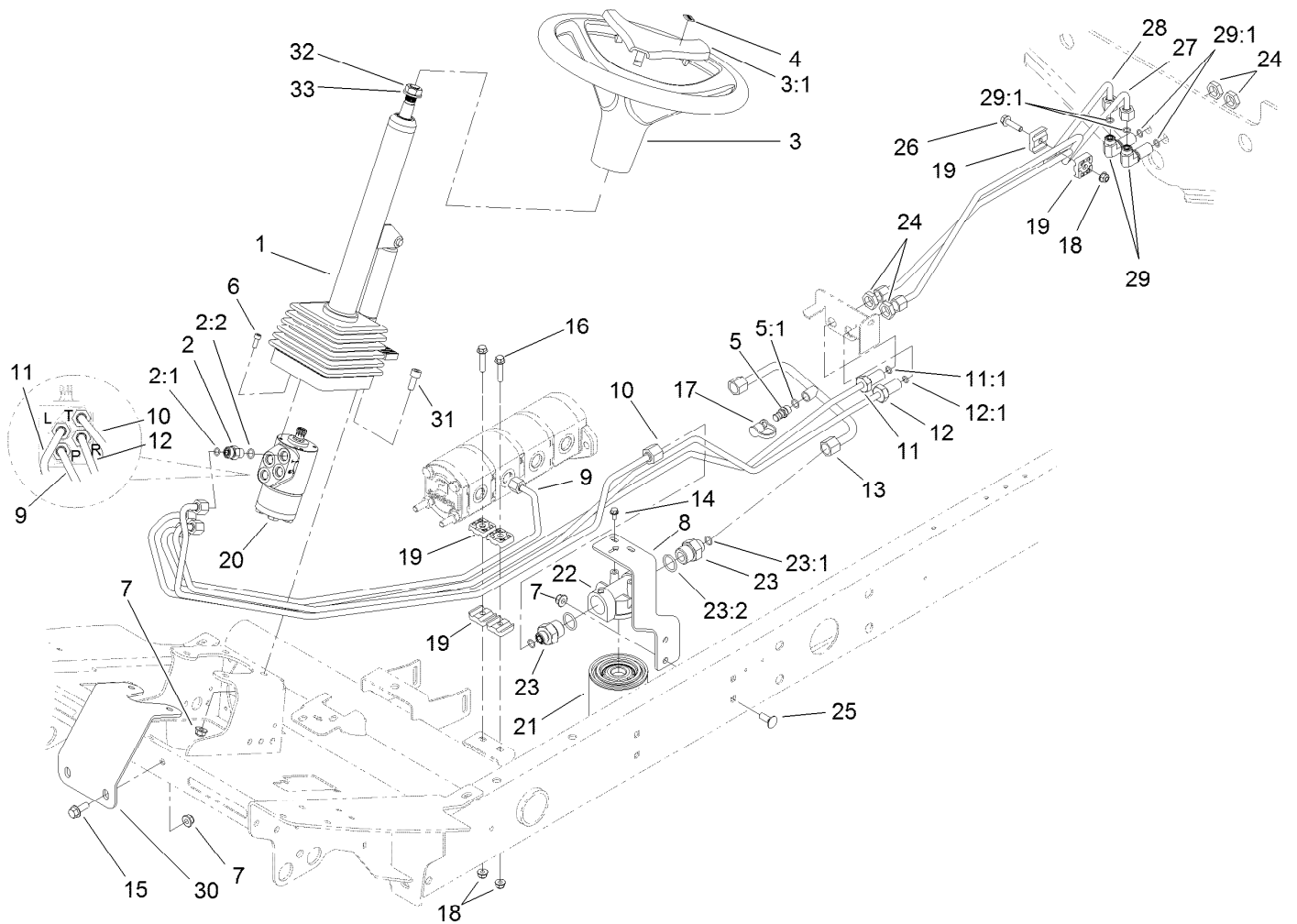
# Contents (continued)

Flywheel Assembly .....	65
Fuel Camshaft and Governor Shaft Assembly.....	66
Idle Apparatus and Stop Solenoid Assembly .....	67
Injection Pump Assembly .....	68
Governor Assembly .....	69
Speed Control Plate Assembly.....	70
Nozzle Holder and Glow Plug Assembly .....	71
Nozzle Holder Assembly .....	72
Alternator and Pulley Assembly .....	73
Alternator Components Assembly .....	74
Starter Assembly .....	75
Starter Component Assembly .....	76
Water Flange and Thermostat Assembly .....	77
Water Pump Assembly .....	78
Valve and Rocker Arm Assembly.....	79
Inlet and Exhaust Manifold Assembly .....	80
Muffler Gasket and Operator Manual .....	81
Upper Gasket Kit .....	82
Lower Gasket Kit .....	83
Attachments and Accessories .....	84



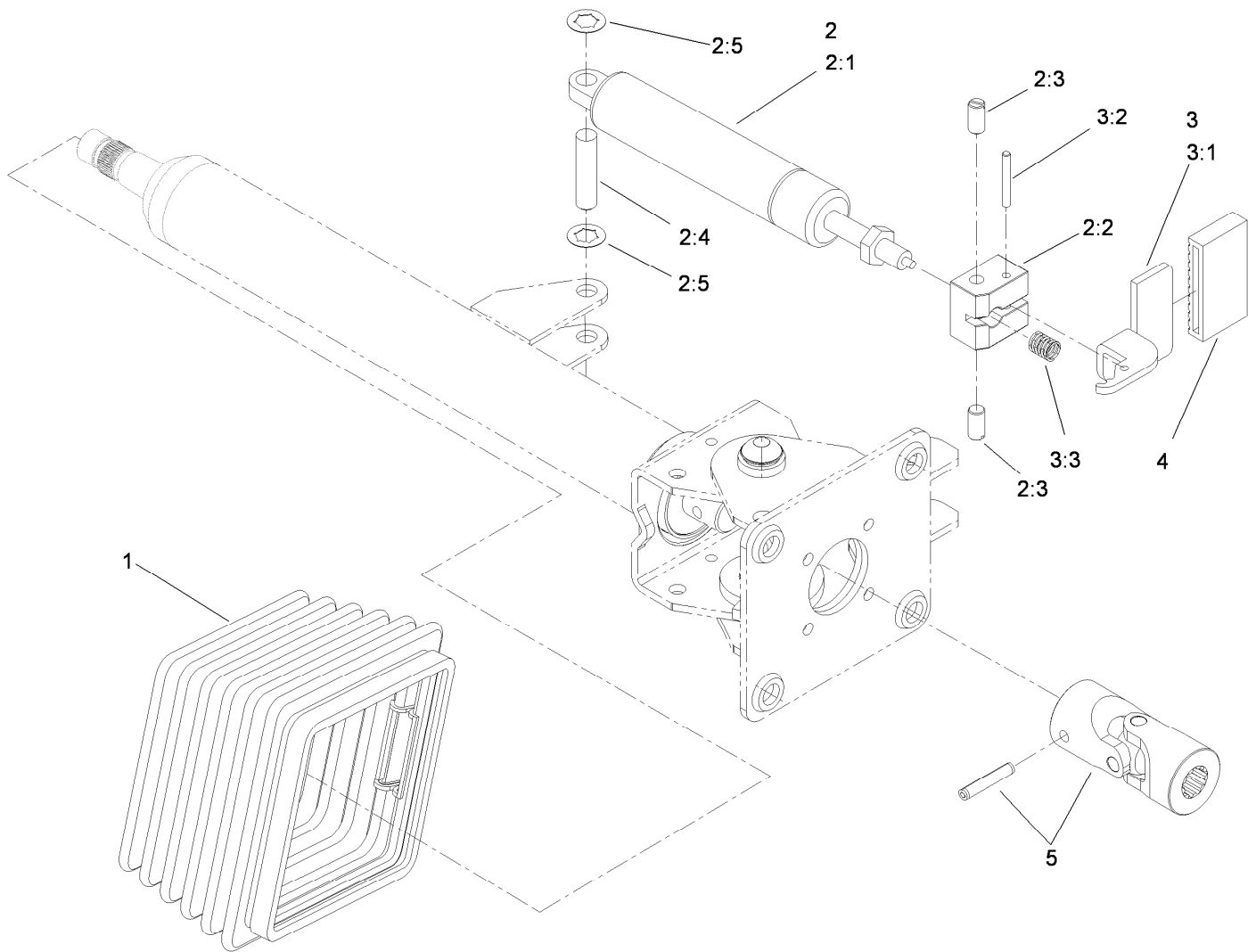
## Front Frame Assembly

<i>Ref.</i>	<i>Part Number</i>	<i>Qty.</i>	<i>Description</i>	<i>Ref.</i>	<i>Part Number</i>	<i>Qty.</i>	<i>Description</i>
1	117-5179	1	Frame ASM	18	125-2911	1	Tread-Panel, Service
2	117-0161-01	1	Platform	19	125-2909	1	Tread-Floorboard
3	110-9041	2	Step-Aluminum	20	32104-17	6	Screw-HWH
4	117-5161-01	4	Bracket-Step	21	106-9518	2	Screw-PRH
5	115-8064-01	1	Plate-Floor	22	240-11	2	Bushing-Flange
6	3234-17	4	Screw-HHF	23	66-8010	2	Spacer
7	323-36	4	Screw-HH	24	93-6028	1	Plate-Logo
8	104-8301	8	Nut-HF, NI	25	94-9024	2	Lamp ASM
9	322-17	8	Screw-HH	25:1	95-0909	1	Lamp-12 Volt
10	104-8300	10	Nut-HF, NI	26	3254-9	4	Washer-Lock, Internal
11	3234-11	4	Screw-HHF	27	110-0944	1	Shroud-Platform
12	110-0986	1	Decal-Plate, Cover	28	110-0947-03	1	Plate-Cover
13	125-2910	2	Tread-Floor, Side	30	110-8924	1	Decal-Danger
14	3230-1	2	Bolt-CARR	30	110-8986	1	Decal-Danger
15	87-6630	2	Washer-Plain	32	117-2718	1	Decal-Arrester, Spark
16	32128-33	2	Nut-HF				



## Steering Valve Hydraulic Plumbing Assembly

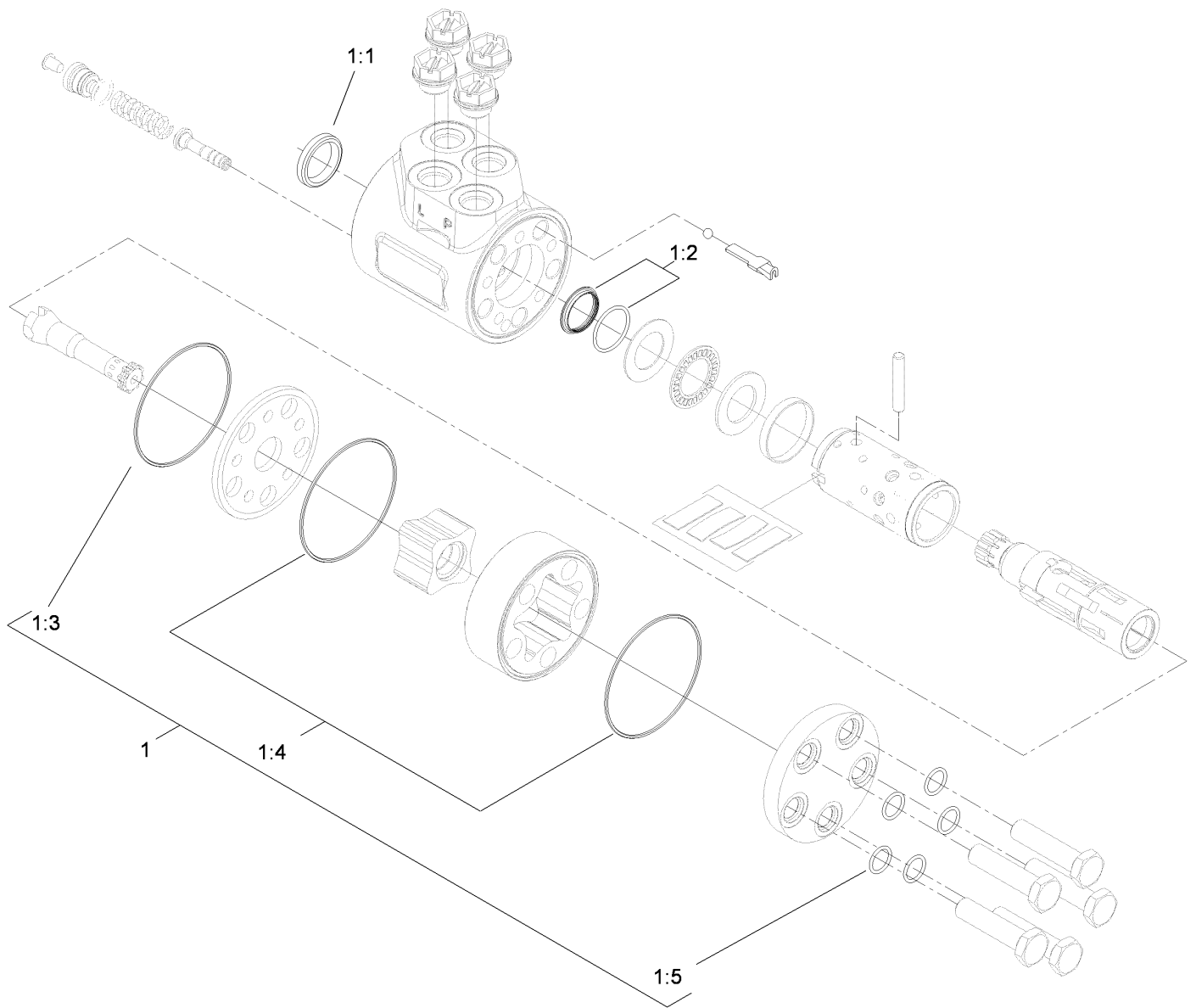
Ref.	Part Number	Qty.	Description	Ref.	Part Number	Qty.	Description
1	106-3622	1	Steering Tilt Column ASM	16	3234-36	2	Screw-HHF
2	340-2	4	Fitting-Straight	17	354-79	1	Cap-Dust
2:1	237-22	1	O-Ring	18	104-8300	3	Nut-HF, NI
2:2	237-42	1	O-Ring	19	56-7973	6	Clamp-Tube
3	98-1471	1	Wheel-Steering	20	106-3621	1	Steering Valve ASM
3:1	98-1468	1	Cover-Wheel, Steering	21	86-3010	1	Filter-Oil
4	98-1459	1	Decal	22	117-5820	1	Head-Filter
5	59-7410	1	Fitting-Diagnostic	23	100-4240	2	Fitting-STR
5:1	237-42	1	O-Ring	23:1	237-30	1	O-Ring
6	105-2409	4	Screw-HSH	23:2	237-81	1	O-Ring
7	104-8301	6	Nut-HF, NI	24	340-70	4	Nut-Lock
8	110-0906-01	1	Support-Filter, Oil	25	3231-27	2	Screw-CARR
9	108-1710	1	Tube ASM	26	3234-36	1	Screw-HHF
10	108-1711	1	Tube-HYD	27	110-9019	1	Tube-HYD
11	108-1712	1	Tube ASM	28	110-9020	1	Tube-HYD
11:1	237-22	1	O-Ring	29	340-154	2	Union-Bulkhead
12	108-1713	1	Tube ASM	29:1	237-22	2	O-Ring
12:1	237-22	1	O-Ring	30	110-8876-01	1	Brace-Column
13	121-5601	1	Tube-HYD	31	3274-1	4	Screw-HSH
14	3234-33	2	Screw-HHF	32	3296-33	1	Nut-Lock, NI
15	3234-11	2	Screw-HHF	33	3256-27	1	Washer-Flat



## Steering Tilt Column Assembly No. 106-3622

Ref.	Part Number	Qty.	Description
1	110-6462	1	Bellows-Rubber
2	110-6463	1	Cylinder Service Kit
2:1		1	Cylinder-Gas ●
2:2		1	Block-Pedal ●
2:3		2	Bolt ●
2:4		1	Pin ●
2:5		2	Washer-Lock ●
3	110-6464	1	Pedal Service Kit
3:1		1	Pedal ●
3:2		1	Pin ●
3:3		1	Spring ●
4	110-6465	1	Cover-Pedal
5	120-6256	1	Universal Joint Kit

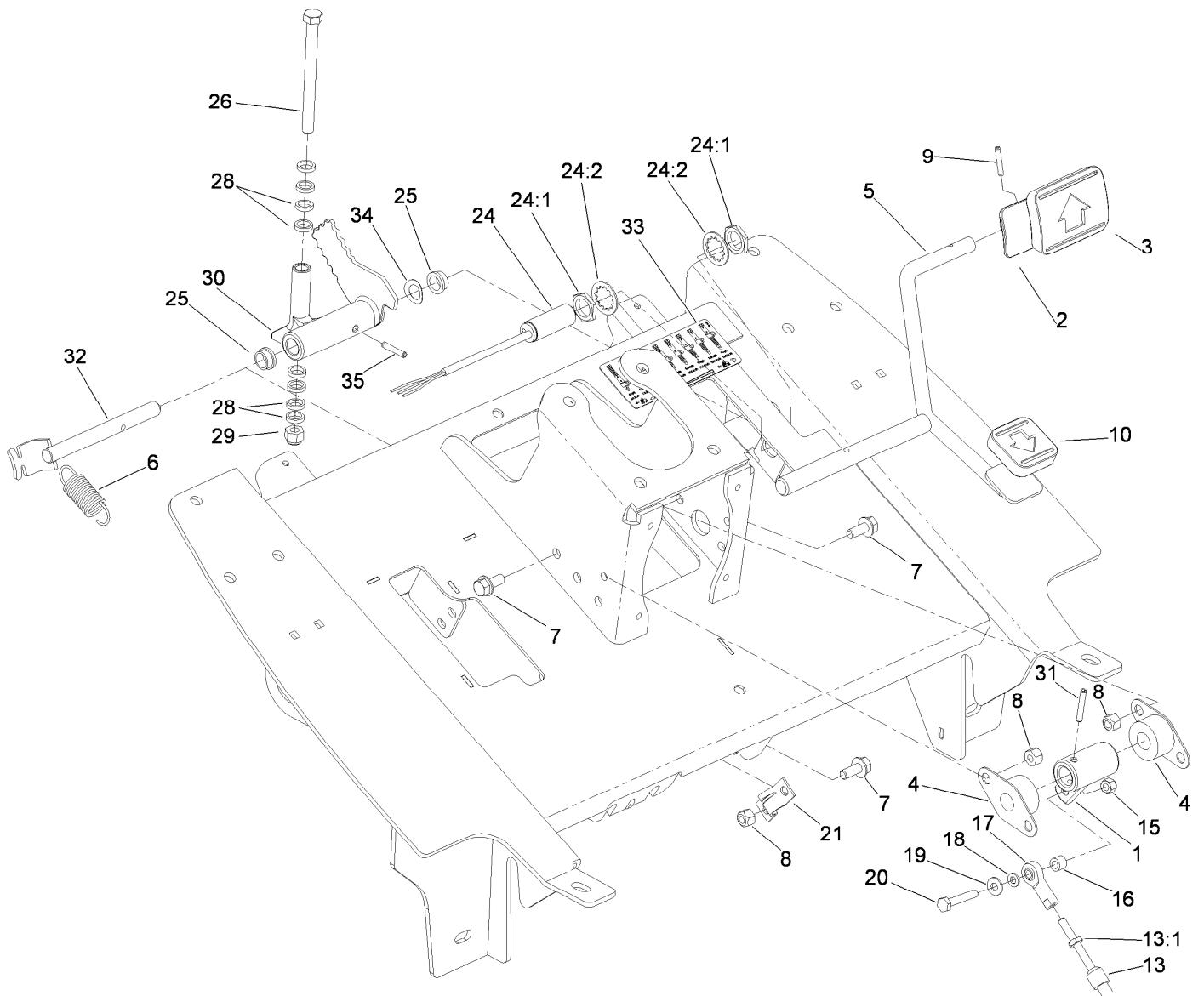
● Not serviced separately



## Steering Valve Assembly No. 106-3621

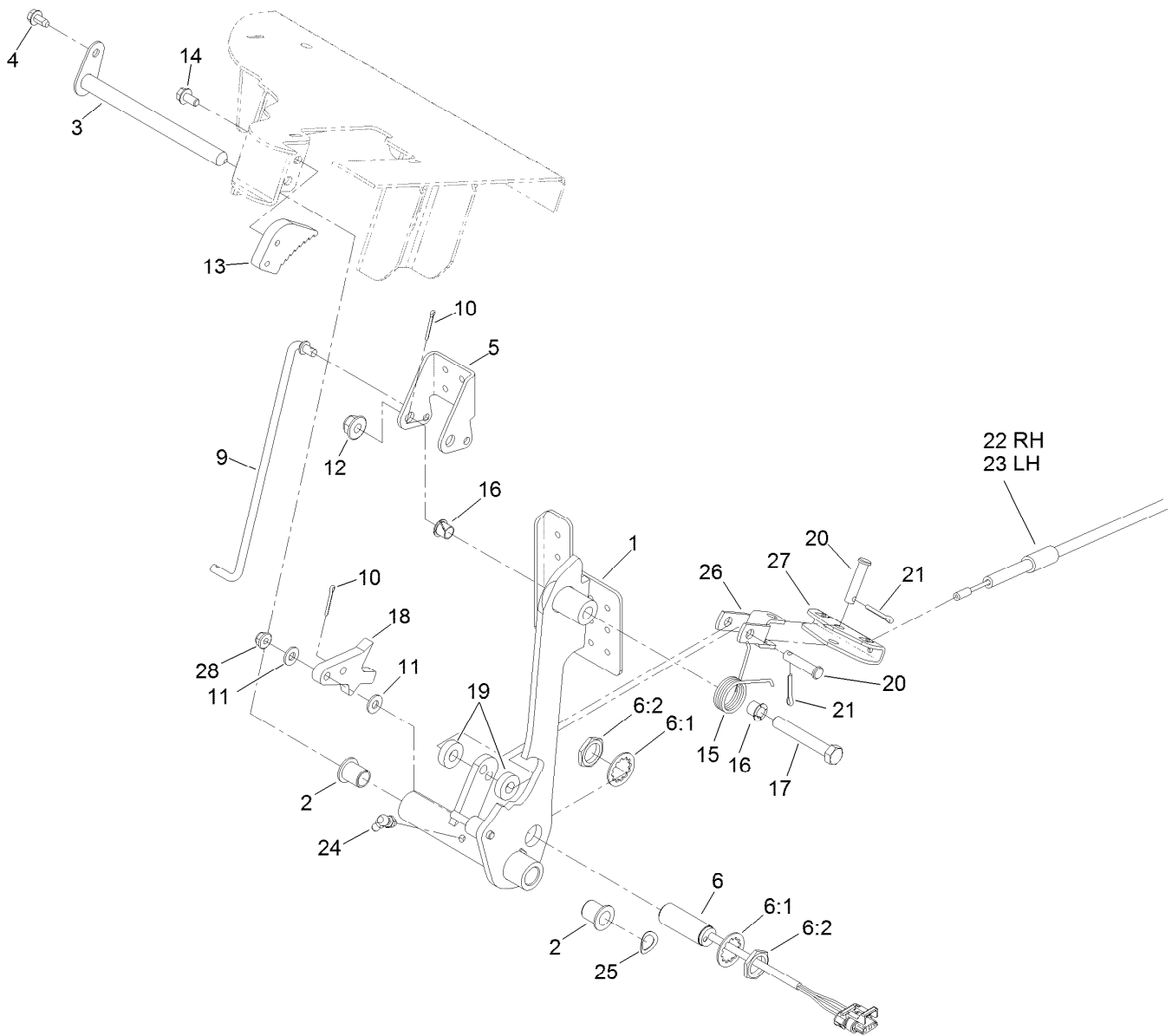
<i>Ref.</i>	<i>Part Number</i>	<i>Qty.</i>	<i>Description</i>
1	106-6716	1	Seal Kit
1:1		1	Ring-Seal, Dust ●
1:2		1	Seal-Shaft ●
1:3		1	O-Ring ●
1:4		2	O-Ring ●
1:5		5	O-Ring ●

● Not serviced separately



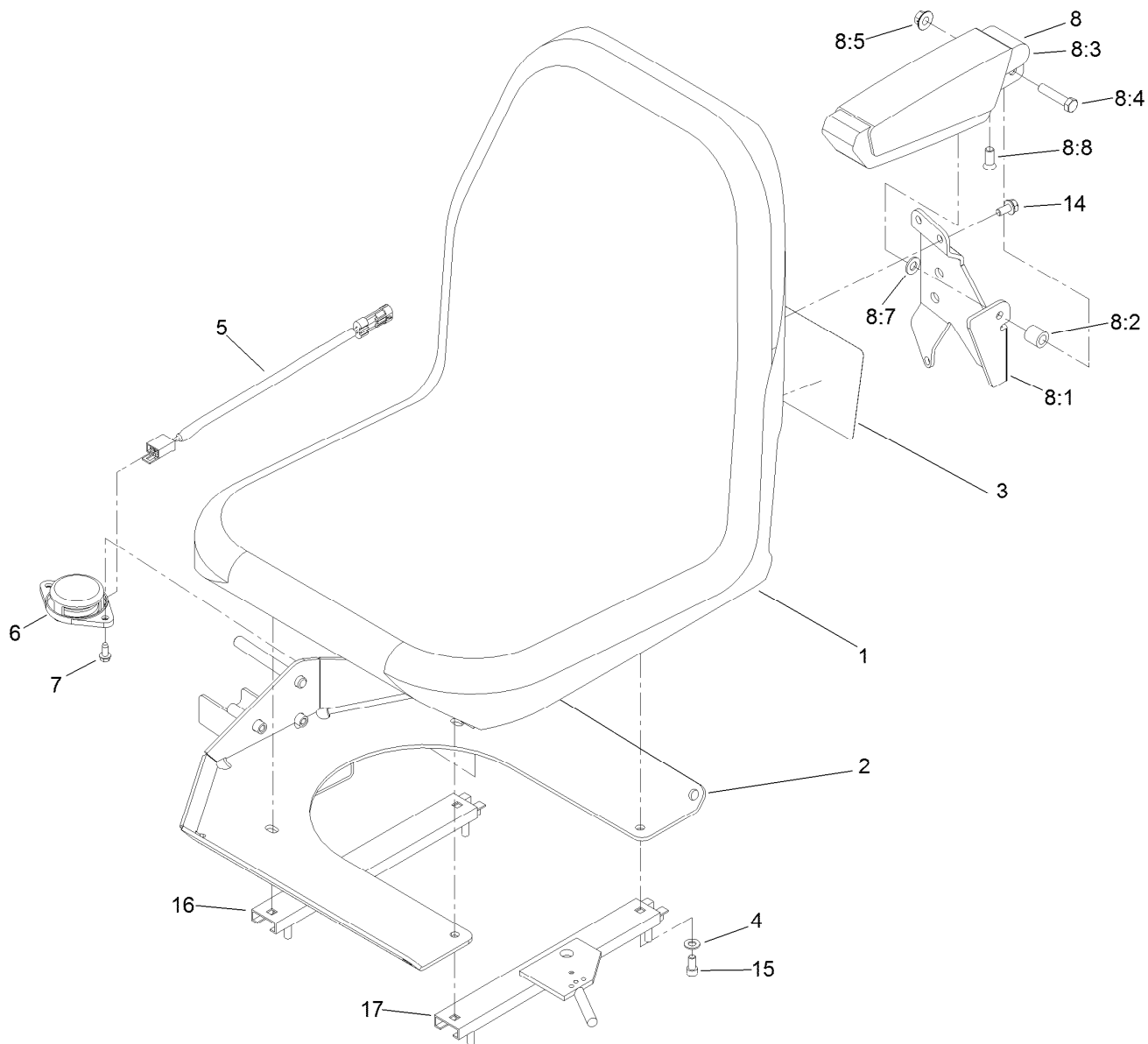
## Traction Pedal Assembly

Ref.	Part Number	Qty.	Description	Ref.	Part Number	Qty.	Description
1	117-5199	1	Hub-Pedal, Traction	19	3256-22	1	Washer-Flat
2	117-9507	1	Pedal-Accelerator	20	321-9	1	Screw-HH
3	74-9100	1	Pad-Pedal, Forward	21	93-2092	1	Clamp-Cable
4	256-236	2	Bearing-Mount, Flange	24	115-0282	1	Proximity Sensor ASM
5	106-3840	1	Pedal-Traction	24:1	117-3207	2	Nut-Hex
6	92-7305	1	Spring-Extension	24:2	117-3208	2	Washer-Lock, Internal Tooth
7	3234-5	6	Screw-HHF	25	256-156	2	Bushing-Flange
8	3296-29	6	Nut-Lock, NI	26	323-17	1	Screw-HH
9	32121-45	1	Pin-Spring	28	62-4420	8	Washer
10	74-9110	1	Pad-Pedal, Reverse	29	3296-39	1	Nut-Lock, NI
13	107-2084	1	Traction Cable ASM	30	117-8066	1	Mow-Stop
13:1	3220-1	2	Nut-Jam	31	32121-6	1	Pin-Roll, Slotted
15	3296-42	1	Nut-Lock, NI	32	106-3731	1	Rod-Pivot
16	66-8010	1	Spacer	33	110-8921	1	Decal-Speed, Mow
17	2411-41	1	Rod End-Ball Joint	34	110-8982	1	Washer-Spring
18	33093-00	1	Washer-Flat	35	32121-16	1	Pin-Spring



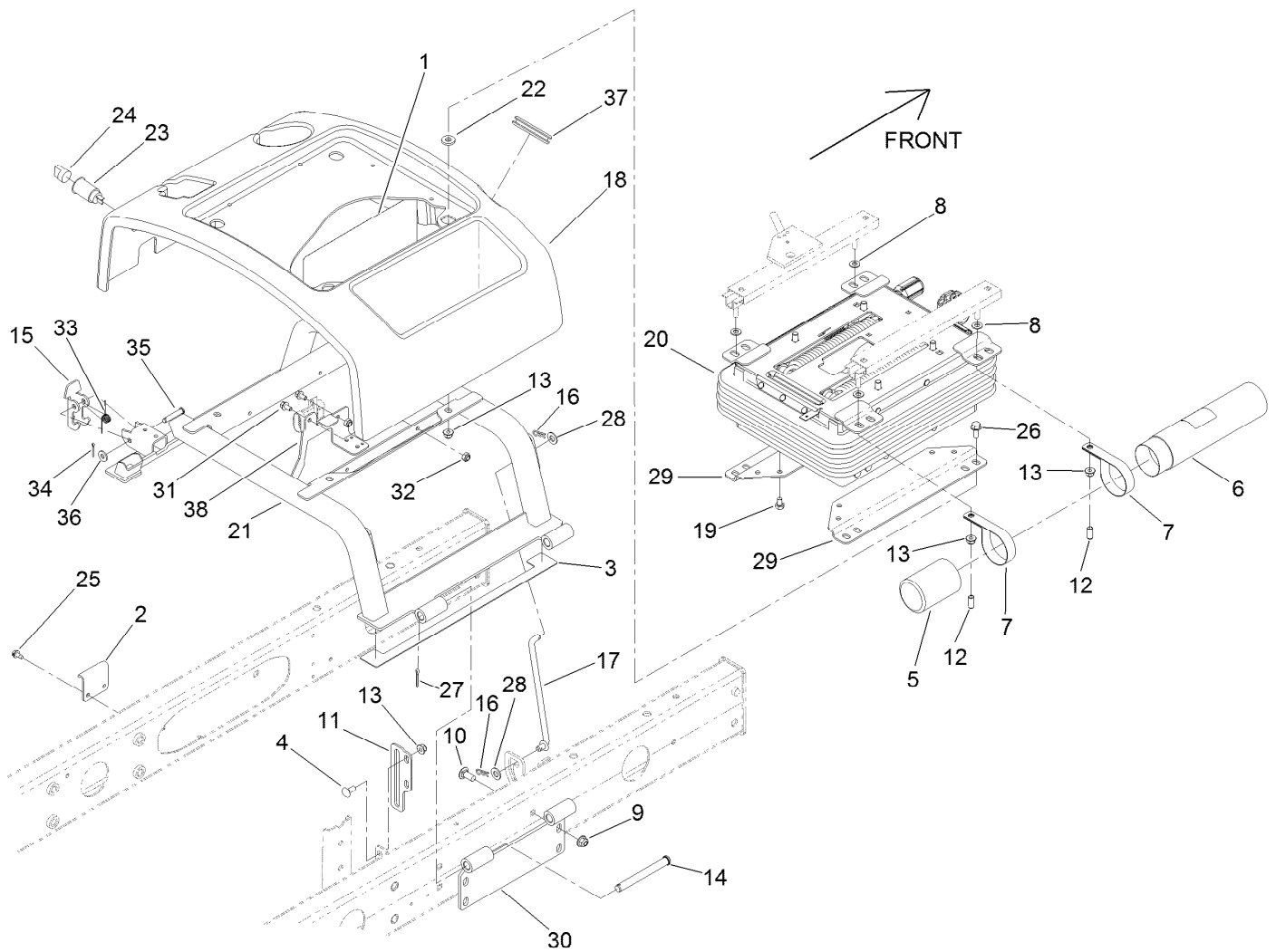
## Brake Pedal Assembly

Ref.	Part Number	Qty.	Description	Ref.	Part Number	Qty.	Description
1	115-0120-03	1	Pedal-Brake	15	99-7140	1	Spring-Torsion
2	256-155	2	Bushing-Flange	16	52-2891	2	Bushing-Flanged, Nylon
3	104-7179	1	Pivot-Pedal	17	323-12	1	Screw-HH
4	32144-4	1	Screw-HWH	18	117-0238	1	Detent
5	99-7963-03	1	Pedal-Park	19	5-0652	2	Spacer
6	115-5300	1	Proximity Switch ASM	20	283-14	2	Pin-Clevis
6:1	117-3207	2	Nut-Hex	21	3272-10	2	Pin-Cotter
6:2	117-3208	2	Washer-Lock, Internal Tooth	22	117-0106	1	Cable-Brake, RH
9	115-0129	1	Rod-Pawl, Brake	23	117-0107	1	Cable-Brake, LH
10	3272-6	2	Pin-Cotter	24	302-60	1	Fitting-Grease
11	3256-22	2	Washer-Flat	25	110-8982	1	Washer-Spring
12	104-8301	1	Nut-HF, NI	26	115-8060	1	Clevis-Double
13	99-7214	1	Pawl-Brake	27	115-8059	1	Yoke-Cable
14	3234-13	2	Screw-HHF	28	104-7201	1	Nut-HF, NI



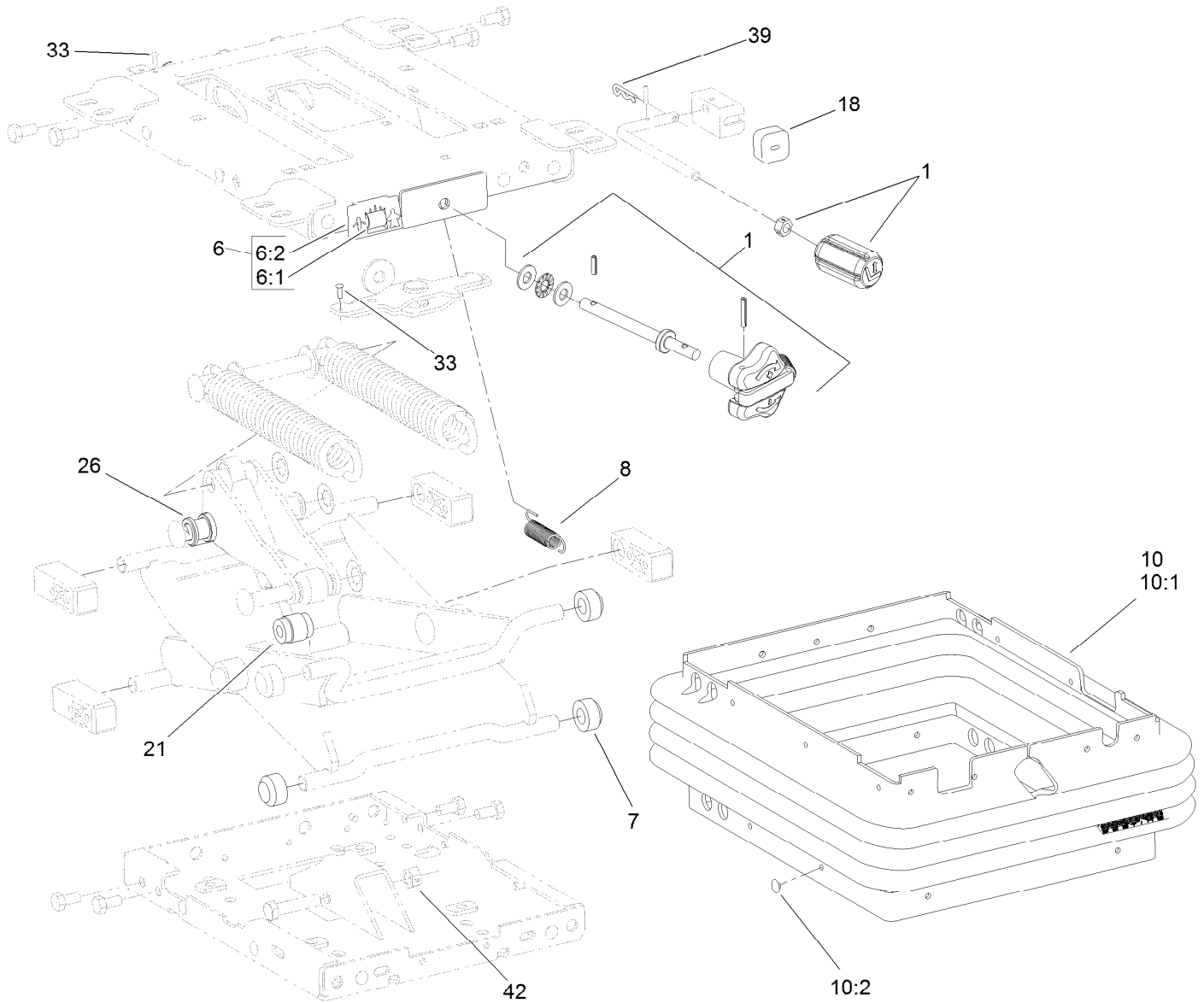
## Seat and Armrest Assembly

<i>Ref.</i>	<i>Part Number</i>	<i>Qty.</i>	<i>Description</i>	<i>Ref.</i>	<i>Part Number</i>	<i>Qty.</i>	<i>Description</i>
1	104-4620	1	Seat	8:3	69-1180	1	Armrest
2	125-2900-03	1	Mount-Seat	8:4	323-9	1	Screw-HH
3	117-0168	1	Decal-Service	8:5	32128-19	1	Nut-HF Lock, Large Flg
4	3256-23	4	Washer-Plain	8:7	3256-24	1	Washer-Flat
5	108-8657	1	Harness-Wire, Seat	8:8	92-7318	1	Screw
6	92-6282	1	Switch-Seat	14	3234-14	3	Screw-HHF
7	9266714	2	Screw-HWH	15	3274-12	4	Screw-HSH
8	92-7307	1	LH Armrest ASM	16	92-8990	1	Adjuster-Seat, Non-Locking
8:1	69-0760	1	Bracket-Arm, LH	17	92-8991	1	Adjuster (W/Latch)
8:2	92-7301	1	Spacer				



## Seat Base and Suspension Assembly

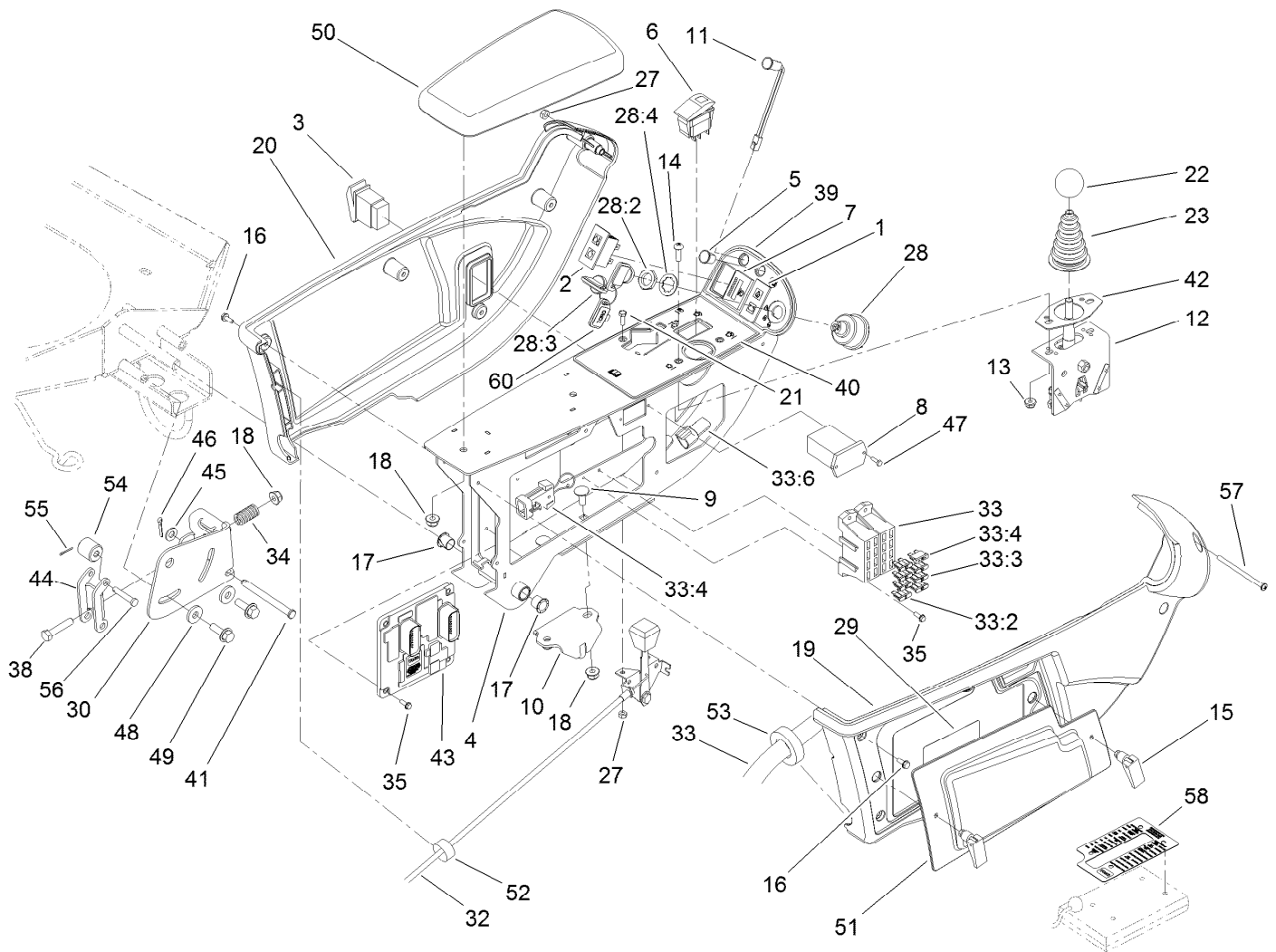
Ref.	Part Number	Qty.	Description	Ref.	Part Number	Qty.	Description
1	114-8890	1	Decal-Reel Speed, 5 Inch	21	108-7577-03	1	Seat Base
2	110-8972	1	Hook-Latch	22	71-9310	4	Spacer
3	110-5255	2	Bumper-Base, Seat	23	99-7411	1	Point-Power
4	3230-1	2	Bolt-CARR	24	99-7416	1	Cap
5	104-7048	1	Cap-Housing	25	32104-17	2	Screw-HWH
6	104-7050	1	Tube-Manual	26	3234-17	4	Screw-HHF
7	2412-133	2	Clamp-R	27	3272-11	2	Pin-Cotter
8	3256-23	4	Washer-Plain	28	3256-24	4	Washer-Flat
9	104-8301	4	Nut-HF, NI	29	108-6590-03	2	Bracket-Seat, Lower
10	3231-27	4	Screw-CARR	30	108-7582-03	1	Plate-Pivot
11	108-7584-01	1	Plate-Guide, Rod	31	3234-13	2	Screw-HHF
12	94-2782	4	Cap-Wire, Lite	32	3296-16	2	Nut-Lock, NI
13	104-8300	10	Nut-HF, NI	33	104-4821	1	Spring-Torsion
14	283-83	2	Pin-Clevis	34	3272-6	1	Pin-Cotter
15	110-8971	1	Latch	35	94-3829	1	Pin-Clevis
16	3290-307	4	Pin-Cotter	36	3256-2	1	Washer-Flat
17	98-0917	2	Rod-Prop	37	240-12	1	Grommet-Rubber
18	108-1757	1	Cover-Seatbase	38	119-6973-03	1	Bracket-Harness
19	48-7680	4	Screw-HH				
20	110-8851	1	Mechanical Suspension ASM				



## Mechanical Seat Suspension Assembly No. 110-8851

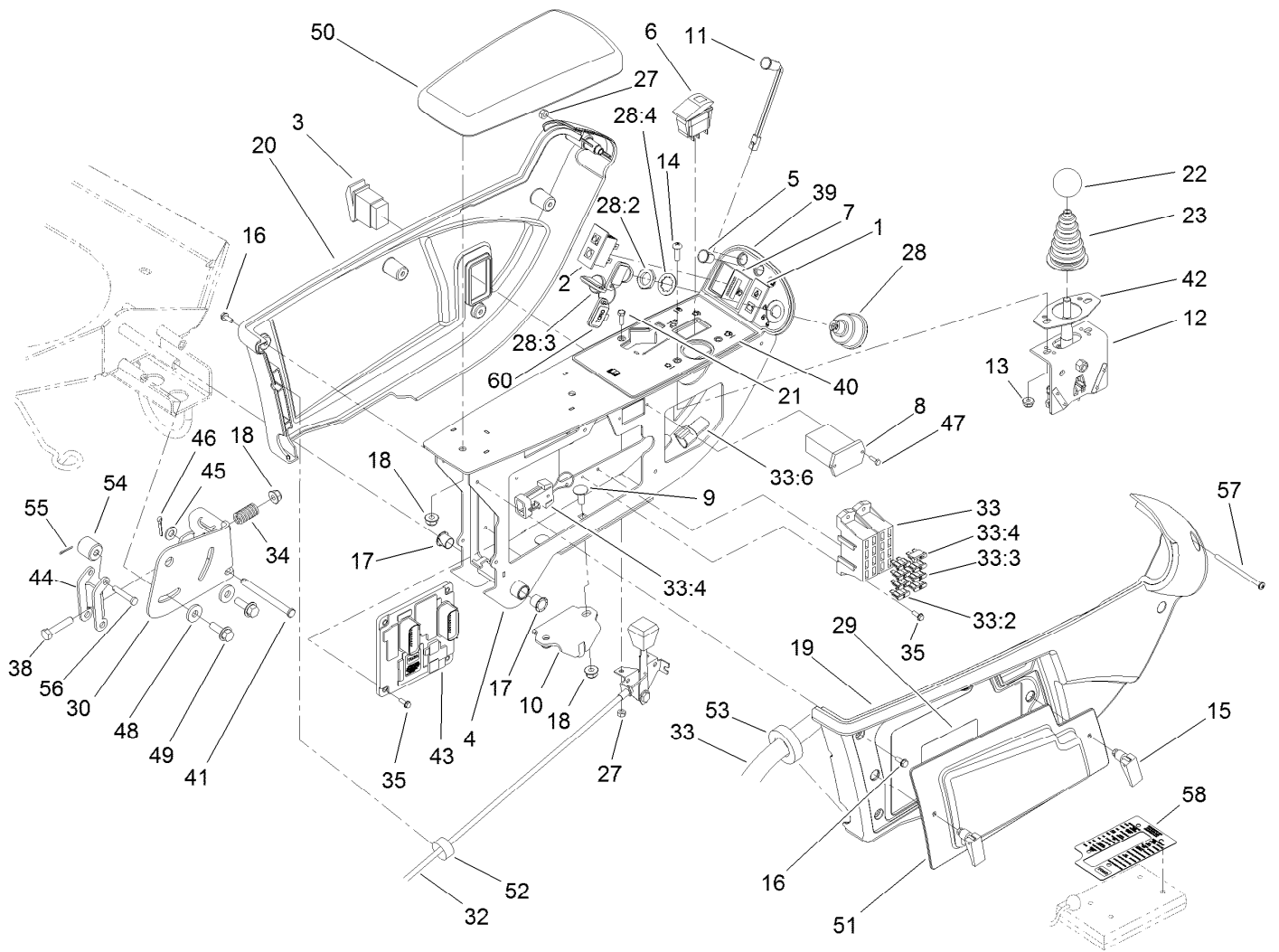
Ref.	Part Number	Qty.	Description
1	119-8040	1	Knobs Service Kit
6	108-4584	1	Weight Indicator Service Kit
6:1		1	Tape-Weight Adjust ●
6:2		1	Guide-Weight Adjust ●
7	108-9632	4	Roller
8	108-9633	1	Spring-Extension
10	112-0164	1	Boot Kit
10:1		1	Boot-Suspension ●
10:2	108-9641	21	Clip-Plug
18	108-9634	1	Bumper
21	108-9614	1	Damper
26	108-9622	2	Tube
33	3269-16	2	Rivet
39	3272-9	1	Pin-Cotter
42	32152-2	1	Nut-Lock, Cone

● Not serviced separately



## Console and Control Arm Assembly

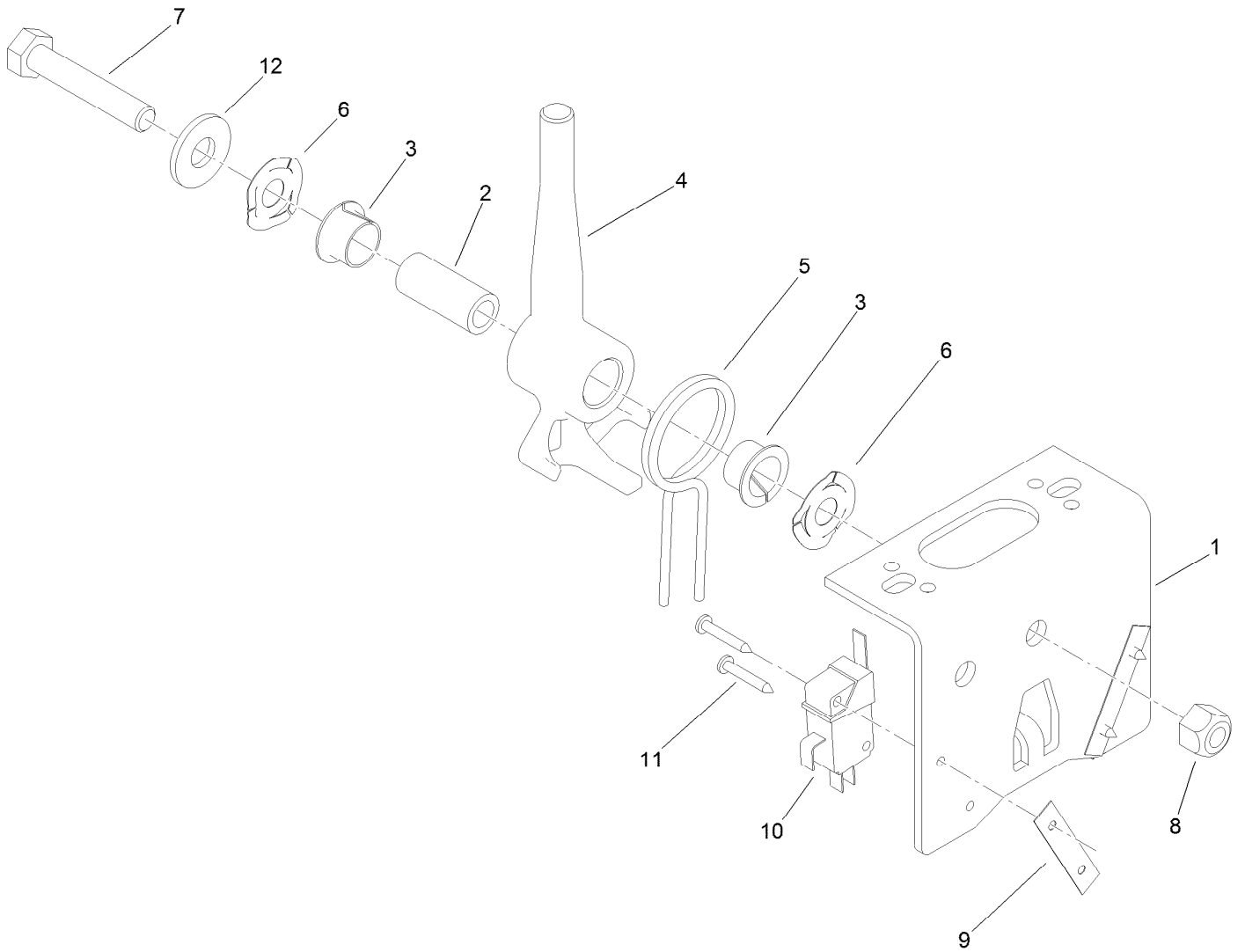
Ref.	Part Number	Qty.	Description	Ref.	Part Number	Qty.	Description
1	100-8070	1	Lamp-Warning	22	233-42	1	Knob
2	100-8071	1	Lamp-Warning	23	93-5961	1	Boot-Lever
3	95-8999	1	Switch	27	3296-2	2	Nut-Lock, NI
4	114-0449-03	1	Arm-Control	28	106-5269	1	Ignition Switch ASM
5	2410-64	1	Plug-Button	28:2	108-8660	1	Nut-Mounting
6	105-4232	1	Switch	28:3	106-5270	1	Ignition Key Set
7	110-0941	1	Gauge-Temperature	28:4	108-8659	1	Washer-Backup
8	75-6820	1	Hourmeter	29	110-0989	1	Decal-Fuse
9	3230-23	2	Bolt-CARR	30	110-5313-03	1	Bracket-Retainer
10	110-5340	1	Latch	32	114-8886	1	Control-Throttle
11	95-7652	1	Light-Indicator	33	117-0284	1	Harness-Wire, Seat
12	120-5280	1	Bracket-Joystick	33:2	94-6710	1	Fuse-2 Amp
13	104-7201	2	Nut-HF, NI	33:3	218-578	6	Fuse-Blade, 10 Amp
14	3258-166	2	Screw-PRH	33:4	109355	1	Fuse-Blade, 15 Amp
15	74-5950	2	Latch-Swell	33:6	32180-043	1	Resistor-120 Ohm
16	104-2065	10	Screw-HWH	34	110-5331	1	Spring-Compression
17	256-257	2	Bushing-Nyliner	35	32144-87	9	Screw-HWHTF
18	104-8300	4	Nut-HF, NI	38	322-7	1	Screw-HH
19	108-7605	1	Cover-RH	39	117-2385	1	Decal-Console, Upper
20	108-7604	1	Cover-LH	40	117-0170	1	Decal-Controls
21	3290-134	2	Screw	41	283-88	1	Pin-Clevis



## Console and Control Arm Assembly (continued)

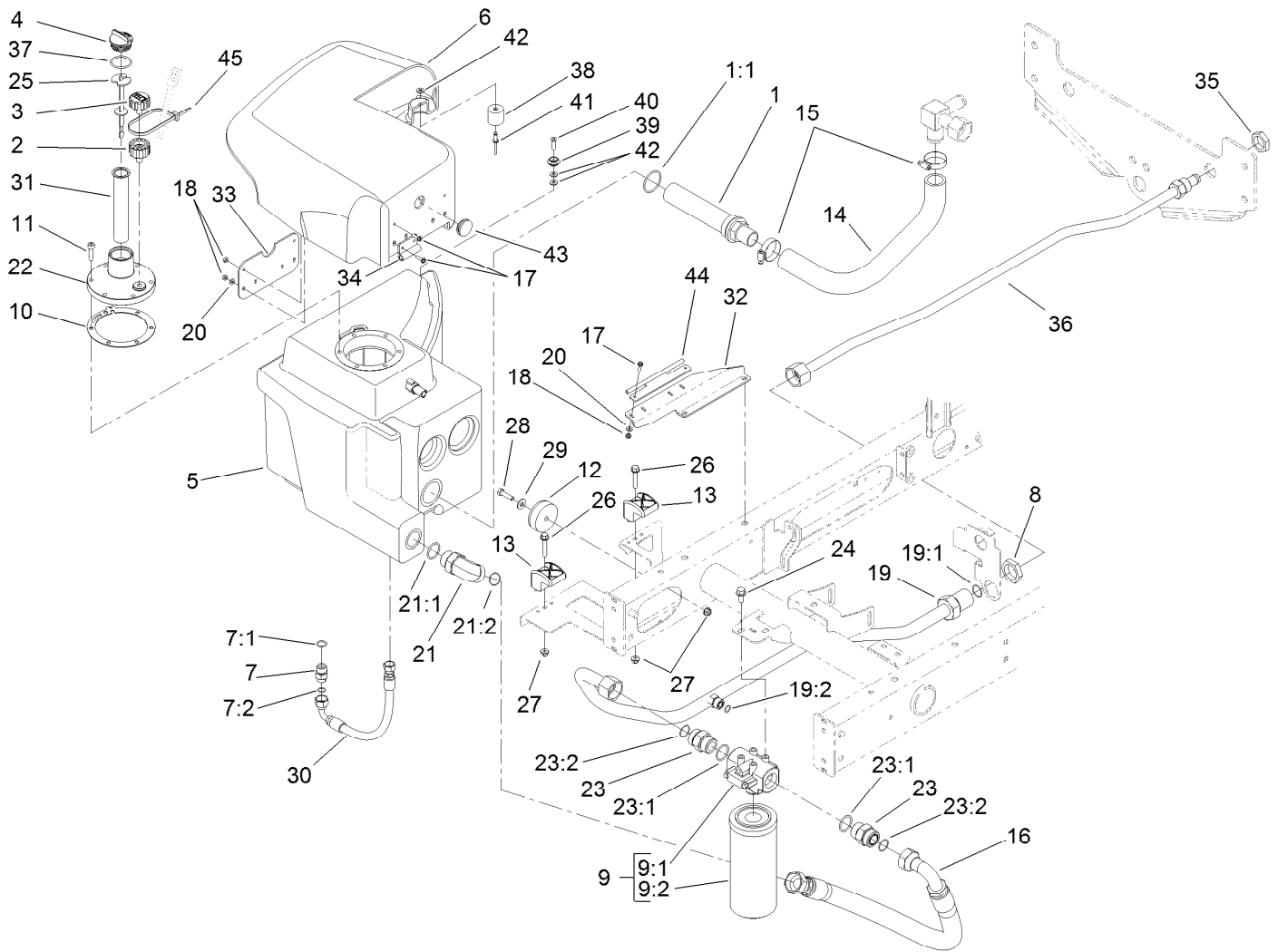
Ref.	Part Number	Qty.	Description
42	112-9181	1	Plate-Boot
43	110-0650	1	Module-Control, Electronic
44	110-5314	1	Latch
45	3256-23	1	Washer-Plain
46	3272-10	1	Pin-Cotter
47	32144-18	2	Screw-HWH
48	4-2390	2	Washer-Flat
49	3234-29	2	Screw-HHF
50	108-7602	1	Rest-Arm

Ref.	Part Number	Qty.	Description
51	114-0446	1	Panel-Access
52	110-8911	1	Seal-Foam
53	110-8912	1	Seal-Foam
54	110-8856	1	Spacer
55	3272-1	1	Pin-Cotter
56	283-73	1	Pin-Clevis
57	3250-22	1	Screw-PPH
58	110-0666	1	Overlay-Diagnostics
60	99-8970	1	Key-Latch, Hood



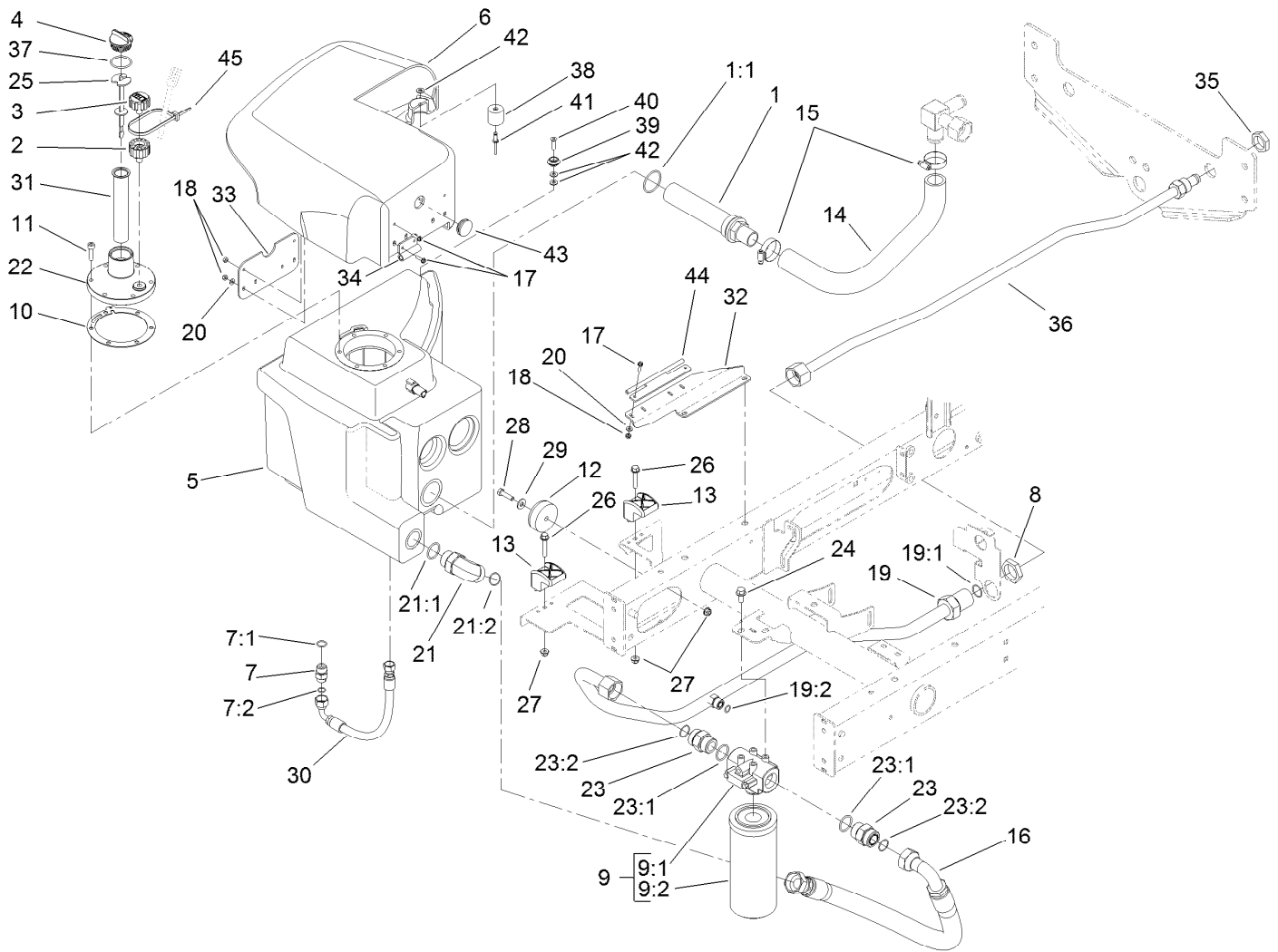
## Joystick Bracket Assembly No. 120-5280

<i>Ref.</i>	<i>Part Number</i>	<i>Qty.</i>	<i>Description</i>
1	115-5357-03	1	Bracket-Joystick
2	106-4192	1	Spacer
3	93-5547	2	Bushing-Nylon
4	119-3540	1	Hub-Pivot, Joystick
5	105-8289	1	Spring-Torsion
6	106-4193	2	Washer-Finger, Spring
7	322-9	1	Screw-HH
8	3296-29	1	Nut-Lock, NI
9	3290-354	2	Nut-Speed
10	108-6496	2	Switch (W/Boot)
11	95-3003	4	Screw-PPHTF
12	3256-3	1	Washer-Flat



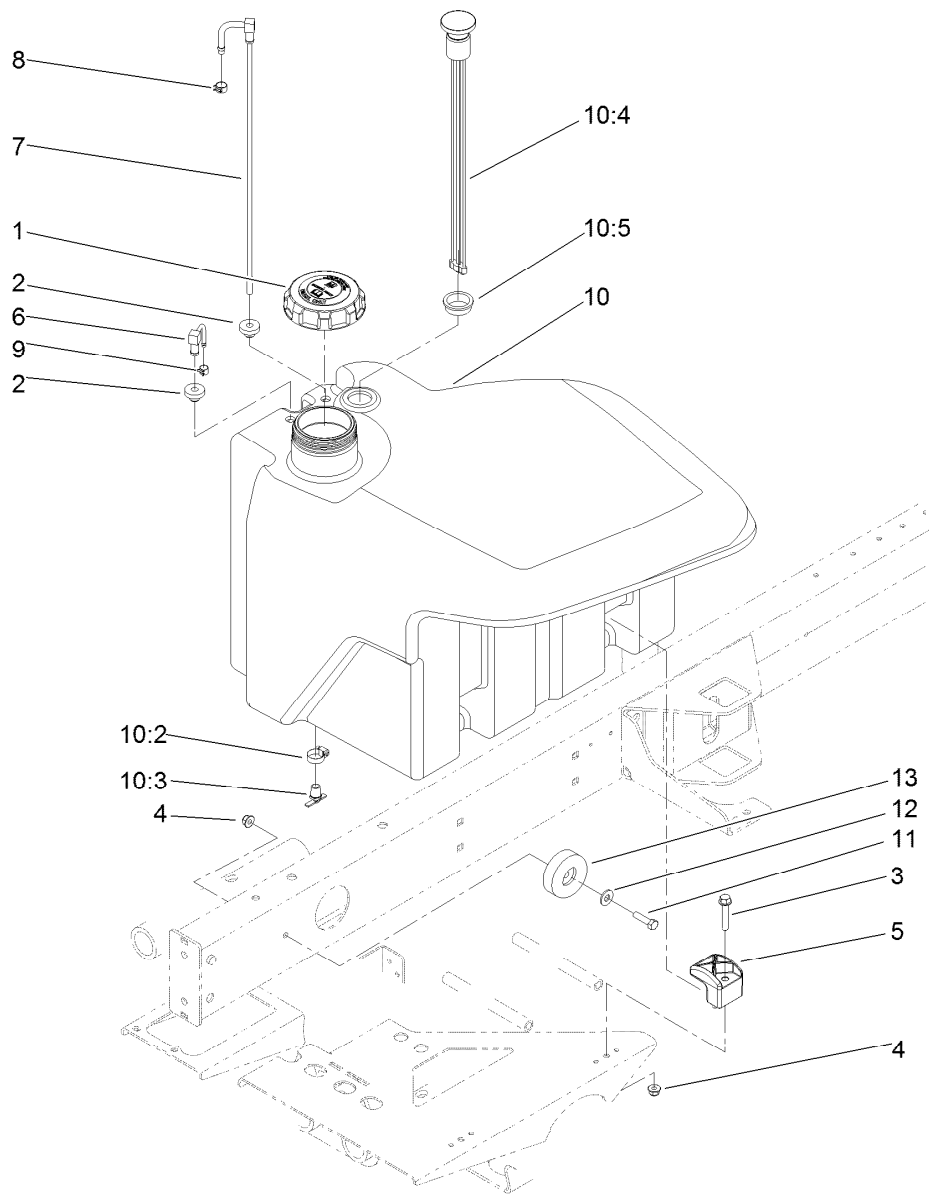
## Hydraulic Tank Assembly

Ref.	Part Number	Qty.	Description	Ref.	Part Number	Qty.	Description
1	105-0131	1	Strainer-Tank, Oil	17	32105-13	8	Screw-HWH
1:1	340-136	1	O-Ring	18	3296-2	8	Nut-Lock, NI
2	92-8020	1	Adapter-Breather	19	108-1699	1	Tube ASM
3	68-6150	1	Breather	19:1	340-65	1	O-Ring
4	93-7498	1	Plug-Plastic	19:2	237-30	1	O-Ring
5	107-4513	1	Tank-Oil	20	3256-14	6	Washer-Flat
6	107-4545	1	Cover-Tank	21	340-129	1	Fitting-Elbow, 90 DEG
7	340-3	1	Fitting-Straight	21:1	237-146	1	O-Ring
7:1	237-22	1	O-Ring	21:2	340-65	1	O-Ring
7:2	237-79	1	O-Ring	22	108-7641	1	Cap-Tank, HYD
8	340-128	1	Nut-Bulkhead	23	104-3797	2	Fitting-Straight
9	98-3923	1	Oil Filter ASM	23:1	237-146	1	O-Ring
9:1	104-0080	1	Filter Head ASM	23:2	340-65	1	O-Ring
9:2	94-2621	1	Element-Filter	24	3234-1	2	Screw-HHF
10	94-2660	1	Gasket-Flange	25	119-6968	1	Dipstick-Oil
11	33114-030	6	Screw-HH	26	94-5780	2	Screw-HWH
12	108-1605	1	Bumper-Recess	27	104-8300	3	Nut-HF, NI
13	107-4543	2	Clamp	28	322-6	1	Screw-HH
14	108-1685	1	Hose-Formed	29	3256-3	1	Washer-Flat
15	2412-111	2	Clamp-Hose, W/Liner	30	66-8490	1	Hose-HYD
16	108-1689	1	Hose-HYD	31	61-2790	1	Filter-Screen



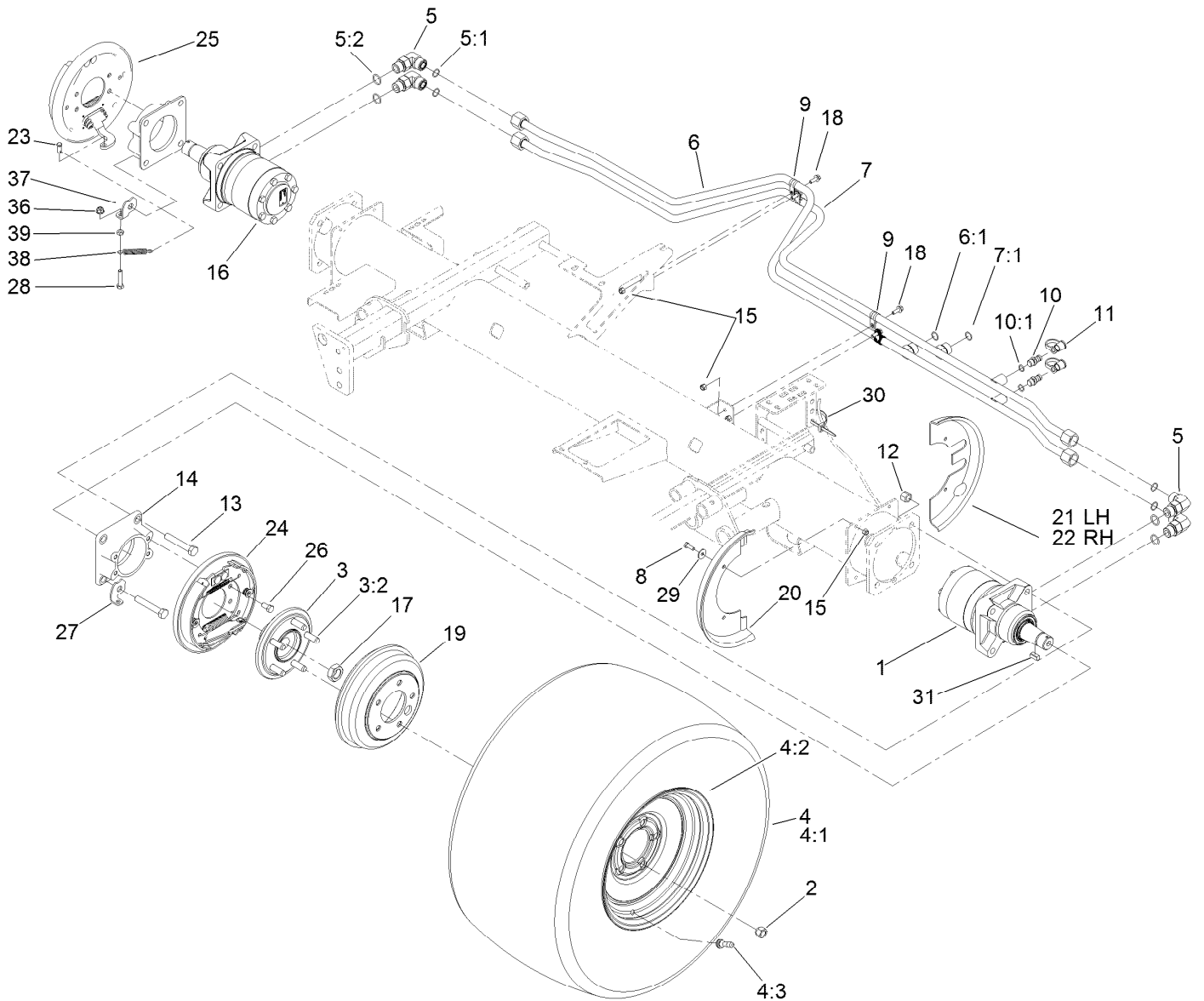
## Hydraulic Tank Assembly (continued)

<i>Ref.</i>	<i>Part Number</i>	<i>Qty.</i>	<i>Description</i>	<i>Ref.</i>	<i>Part Number</i>	<i>Qty.</i>	<i>Description</i>
32	108-1606-03	1	Bracket-Hinge	39	99-7833	1	Post-Holding
33	108-1607-03	1	Plate-Hinge	40	32108-5	1	Screw-FH
34	110-8925	2	Hinge ASM	41	3290-412	1	Rivet-Blind
35	340-126	1	Nut-Bulkhead	42	3256-22	3	Washer-Flat
36	108-1691	1	Tube ASM	43	110-5333	1	Grommet-Plug
37	237-101	1	O-Ring	44	110-8928	1	Pin ASM
38	99-7830	1	Receptical-Rubber	45	3290-378	1	Tie-Cable



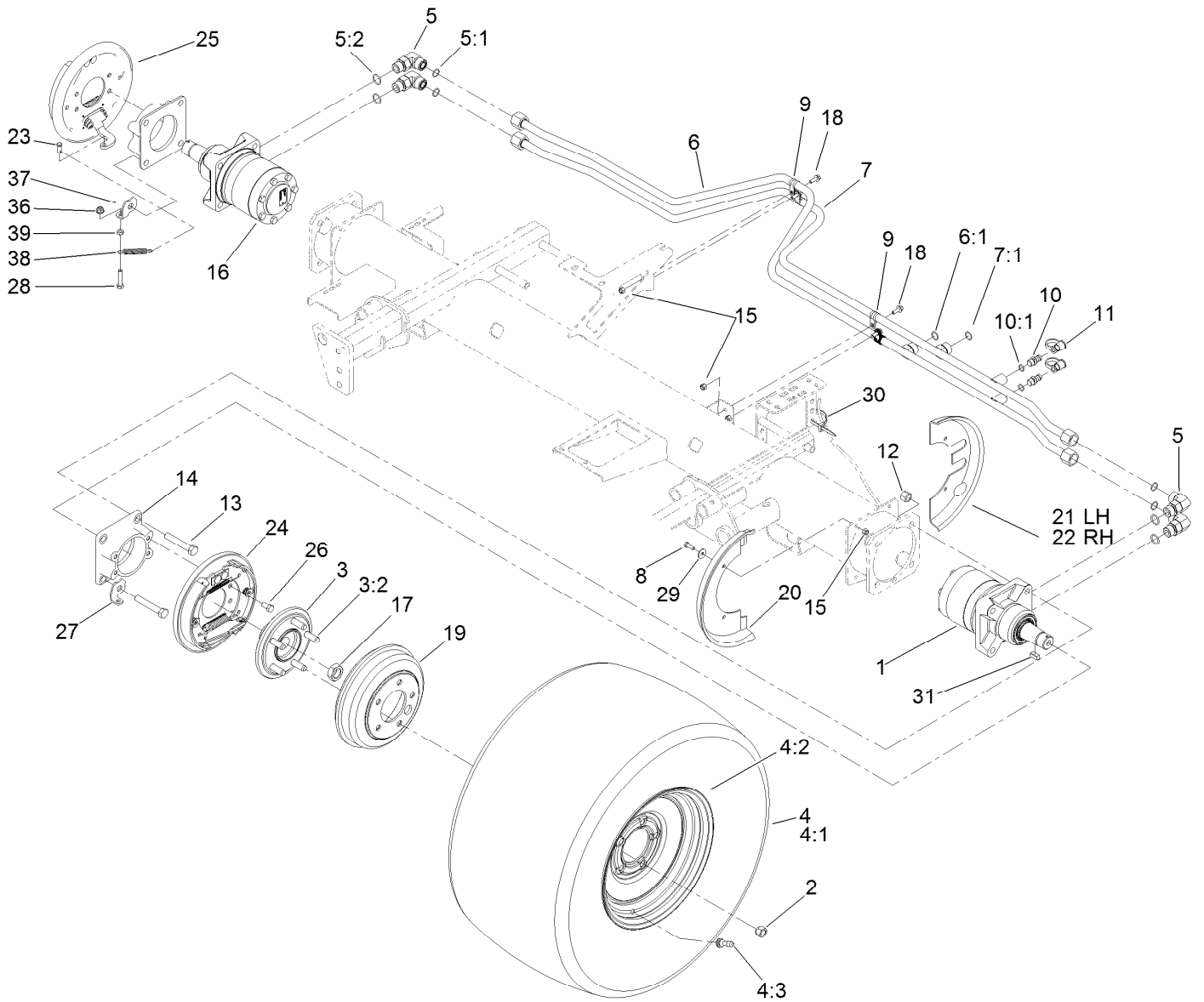
## Fuel Tank Assembly

<i>Ref.</i>	<i>Part Number</i>	<i>Qty.</i>	<i>Description</i>	<i>Ref.</i>	<i>Part Number</i>	<i>Qty.</i>	<i>Description</i>
1	114-5062	1	Cap-Biodiesel	10	117-0114	1	Fuel Tank ASM
2	46-6560	2	Bushing	10:2	2412-36	1	Clamp-Hose
3	94-5780	2	Screw-HWH	10:3	304-46	1	Draincock
4	104-8300	3	Nut-HF, NI	10:4	108-1640	1	Gauge-Fuel
5	107-4543	2	Clamp	10:5	95-8972	1	Grommet
6	108-1643	1	Fitting-Return	11	322-6	1	Screw-HH
7	110-9031	1	Fitting-Suction	12	3256-3	1	Washer-Flat
8	92-2379	1	Clamp-Hose	13	108-1605	1	Bumper-Recess
9	2412-80	1	Clamp-Hose				



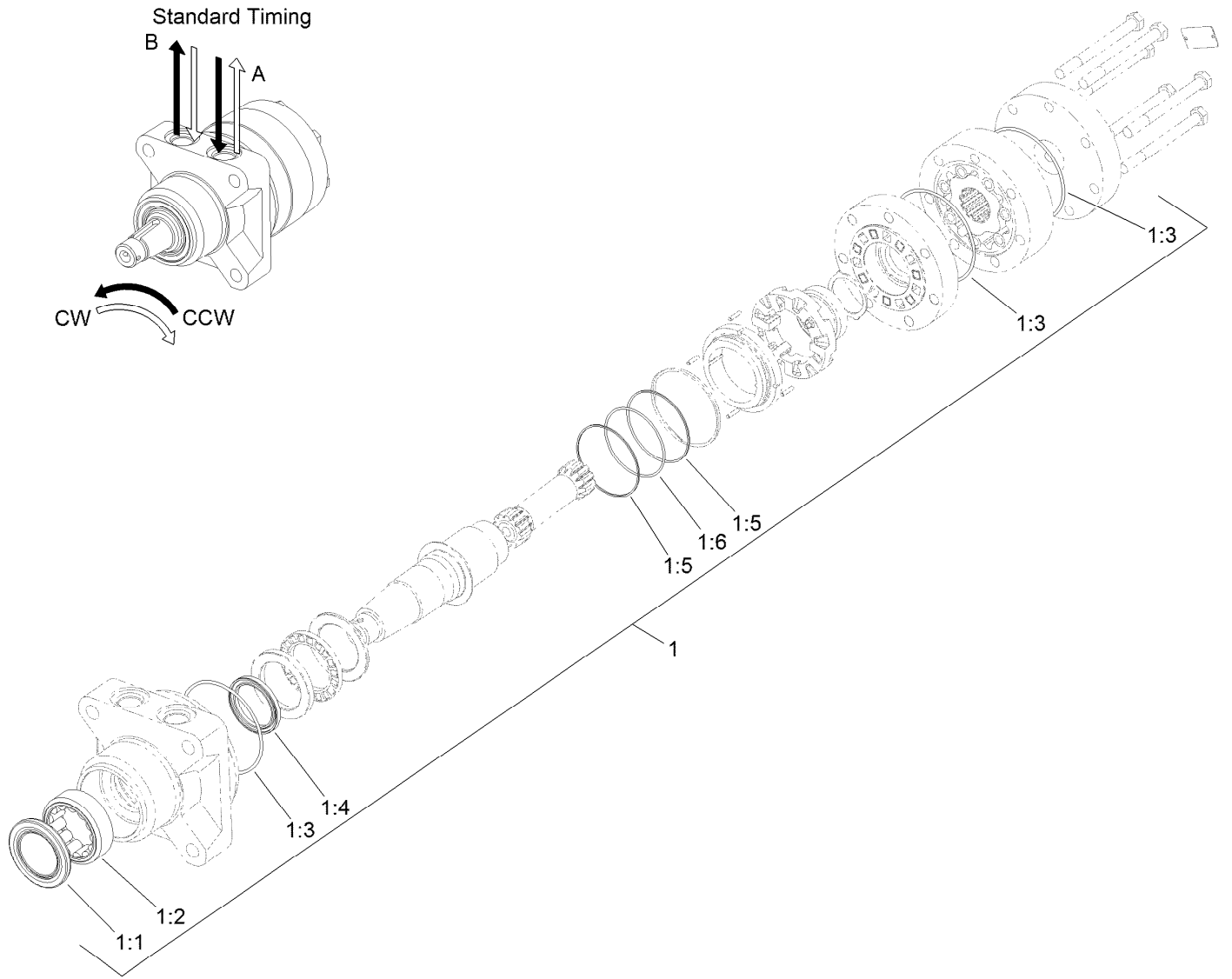
## Front Wheel, Brake and Hydraulic Motor Assembly

Ref.	Part Number	Qty.	Description	Ref.	Part Number	Qty.	Description
1	120-6281	1	Hydraulic Motor ASM (CCW)	13	325-12	8	Screw-HH
2	242-50	10	Nut-Lug	14	120-6253-03	2	Adapter-Brake
3	120-6255	2	Hub ASM	15	3296-42	12	Nut-Lock, NI
3:2	10-6830	5	Stud-Type, Drive	16	120-6282	1	Hydraulic Motor ASM (CW)
4	117-5193	2	Tire ASM	17	117-3290	2	Nut-Hex
4:1	117-5195	1	Tire	18	3234-4	4	Screw-HHF
4:2	117-5197	1	Wheel	19	114-8864	2	Drum-Brake
4:3	232-27	1	Stem-Valve	20	110-0950	2	Shield-Wheel, Front
5	340-17	4	Fitting-Elbow, 90 DEG	21	110-0951	1	Shield-Wheel, Rear (LH)
5:1	237-65	1	O-Ring	22	110-8878	1	Shield-Wheel, Rear (RH)
5:2	237-80	1	O-Ring	23	283-62	2	Pin-Clevis
6	108-7632	1	Tube ASM	24	120-6261	1	LH Brake ASM
6:1	237-65	1	O-Ring	25	120-6260	1	RH Brake ASM
7	108-7633	1	Tube ASM	26	323-4	8	Screw-HH
7:1	237-65	1	O-Ring	27	120-6267	1	Clip-Spring, LH
8	321-4	8	Screw-HH	28	322-7	2	Screw-HH
9	2412-134	4	Clamp-R	29	3256-67	8	Washer
10	59-7410	2	Fitting-Diagnostic	30	3290-378	2	Tie-Cable
10:1	237-42	1	O-Ring	31	117-5198	2	Key-Square
11	354-79	2	Cap-Dust	36	104-8300	2	Nut-HF, NI
12	3296-23	8	Nut-Lock, NI	37	120-6266	1	Clip-Spring, RH



## Front Wheel, Brake and Hydraulic Motor Assembly (continued)

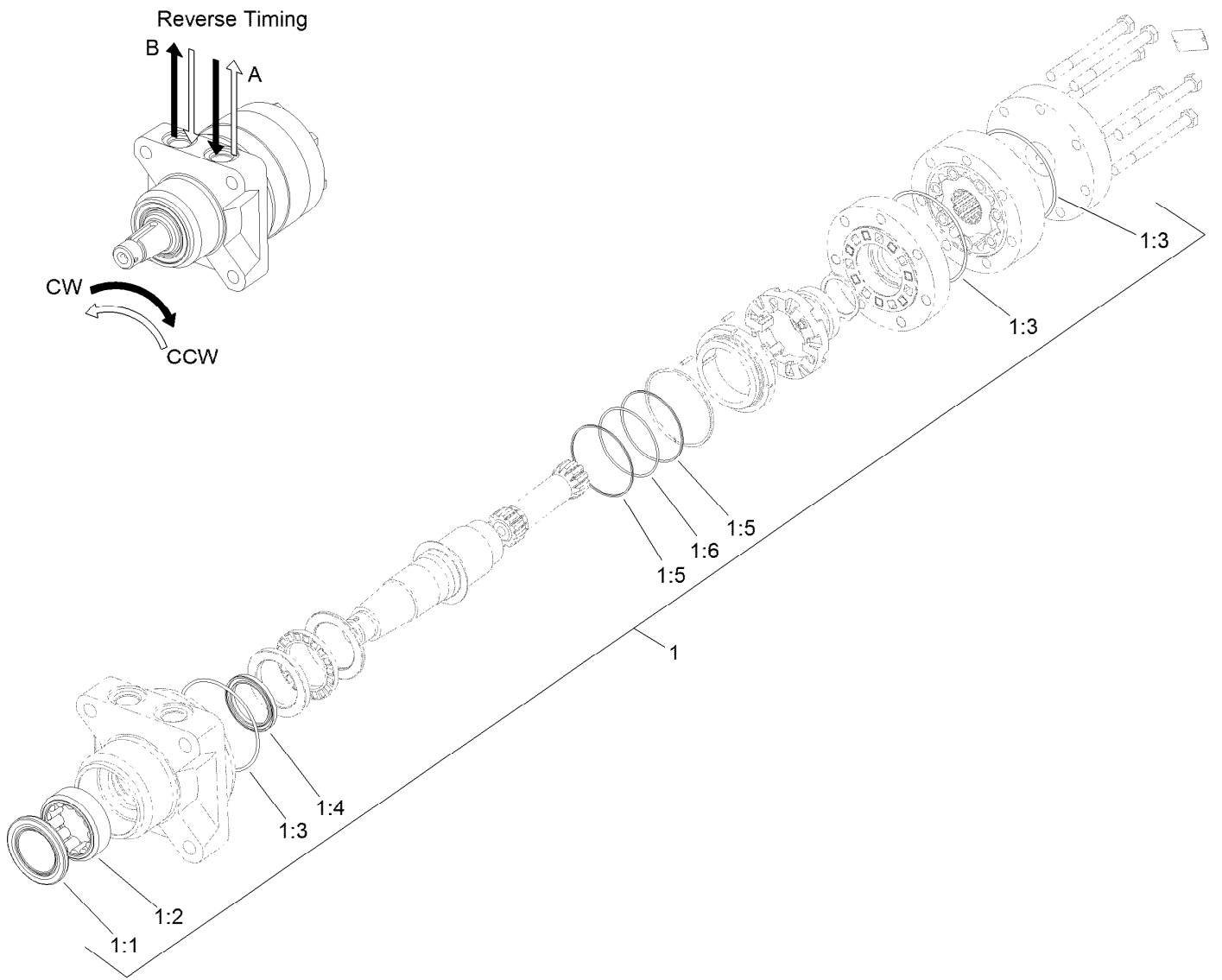
Ref.	Part Number	Qty.	Description
38	87-4020	2	Spring-Extension
39	3218-2	2	Nut-Hex Jam



## Hydraulic Motor Assembly No. 120-6281 (CCW)

Ref.	Part Number	Qty.	Description
1	120-6268	1	Seal Kit
1:1		1	Seal-Grease ●
1:2		1	Shell-Bearing ●
1:3		3	O-Ring ●
1:4		1	Seal-Shaft ●
1:5		2	Ring-Back Up ●
1:6		1	O-Ring ●

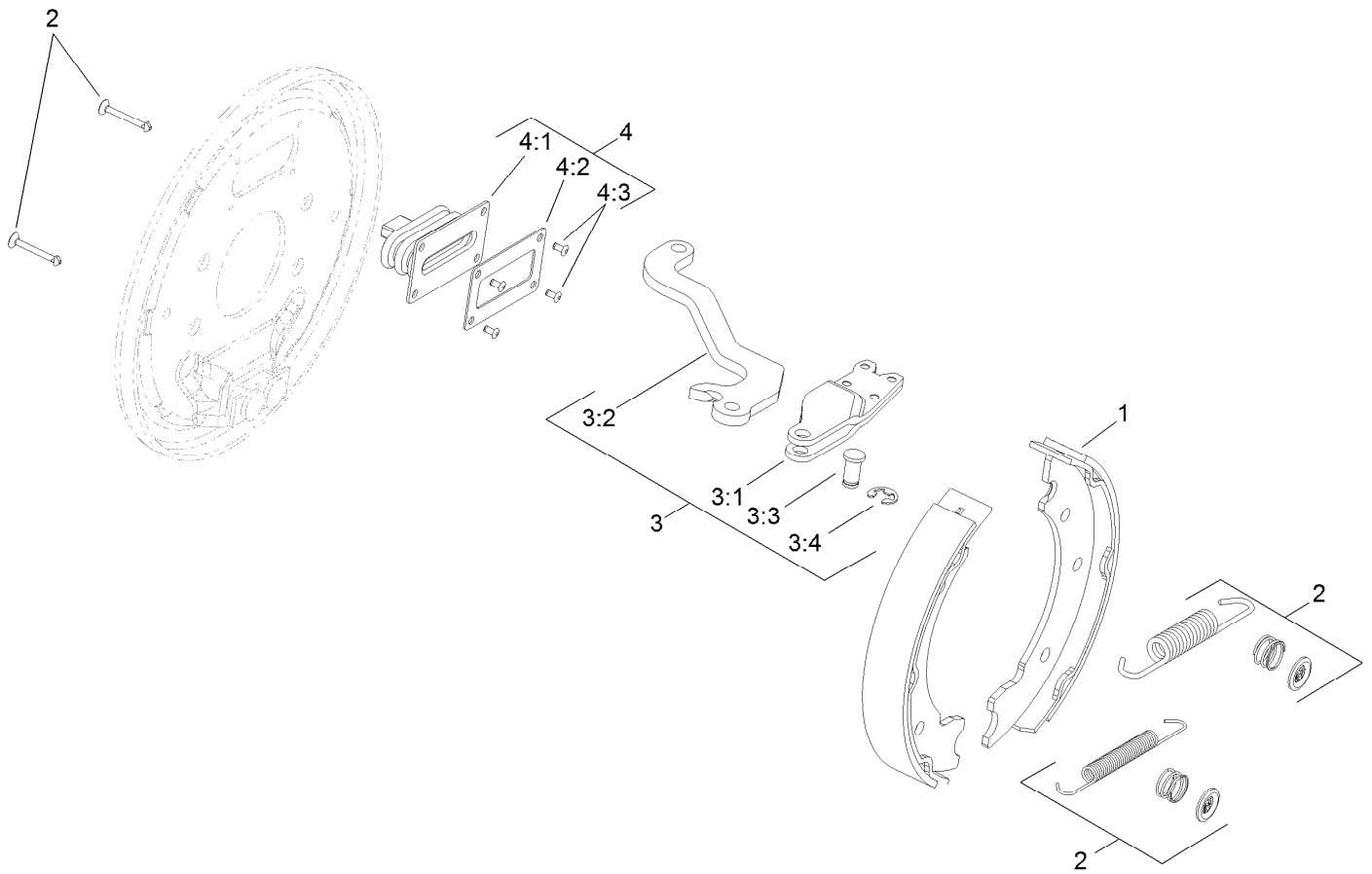
● Not serviced separately



## Hydraulic Motor Assembly No. 120-6282 (CW)

Ref.	Part Number	Qty.	Description
1	120-6268	1	Seal Kit
1:1		1	Seal-Grease ●
1:2		1	Shell-Bearing ●
1:3		3	O-Ring ●
1:4		1	Seal-Shaft ●
1:5		2	Ring-Back Up ●
1:6		1	O-Ring ●

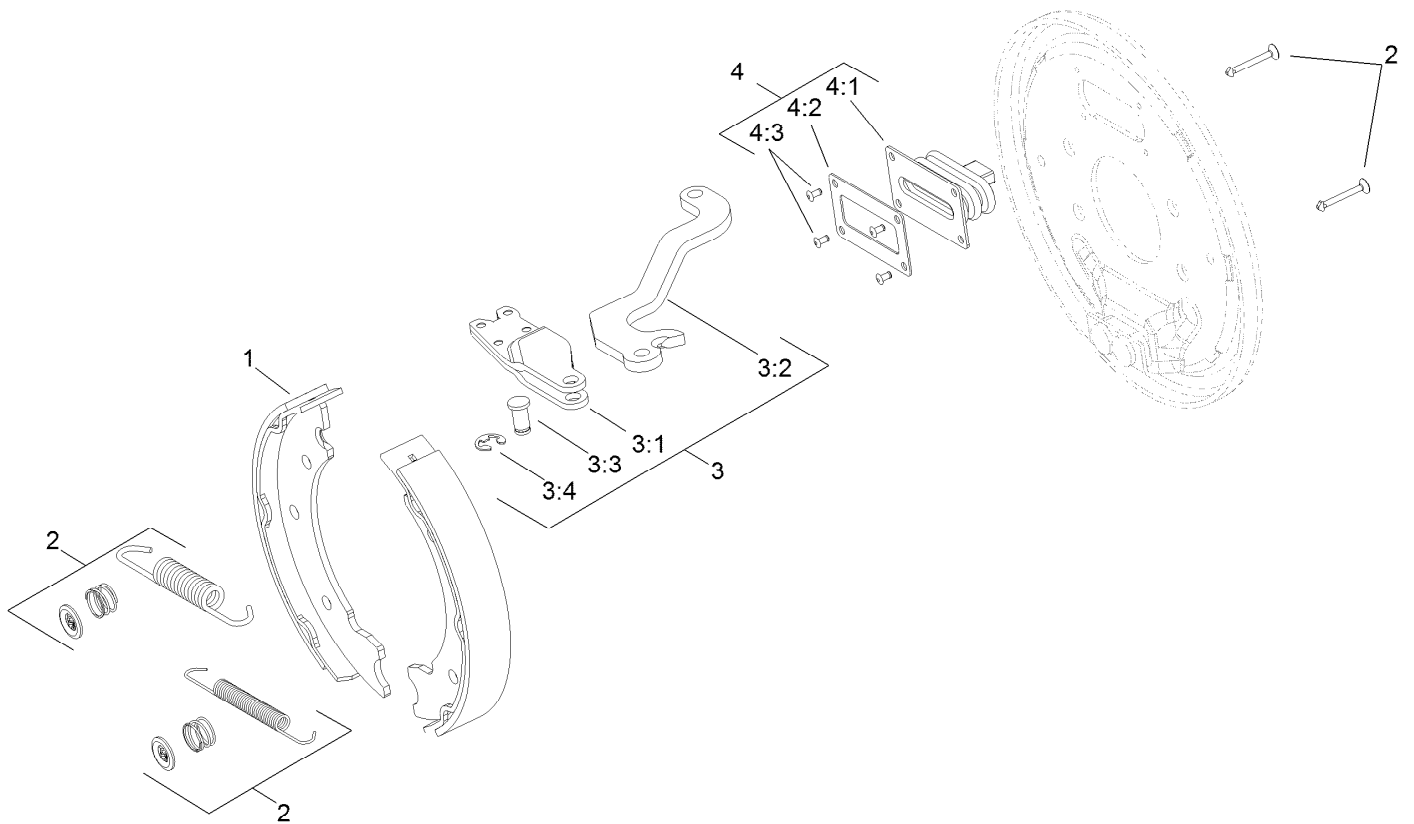
● Not serviced separately



## LH Brake Assembly No. 120-6261

Ref.	Part Number	Qty.	Description
1	108-6981	1	Brake Shoe Kit
2	108-6983	1	Brake Hardware Kit
3	110-8910	1	LH Actuator Kit
3:1		1	Housing ●
3:2		1	Lever-LH ●
3:3		1	Pin-Pivot ●
3:4		1	E-Ring ●
4	110-8885	1	Dust Boot Kit
4:1		1	Boot ●
4:2		1	Plate-Back Up ●
4:3		2	Rivet ●

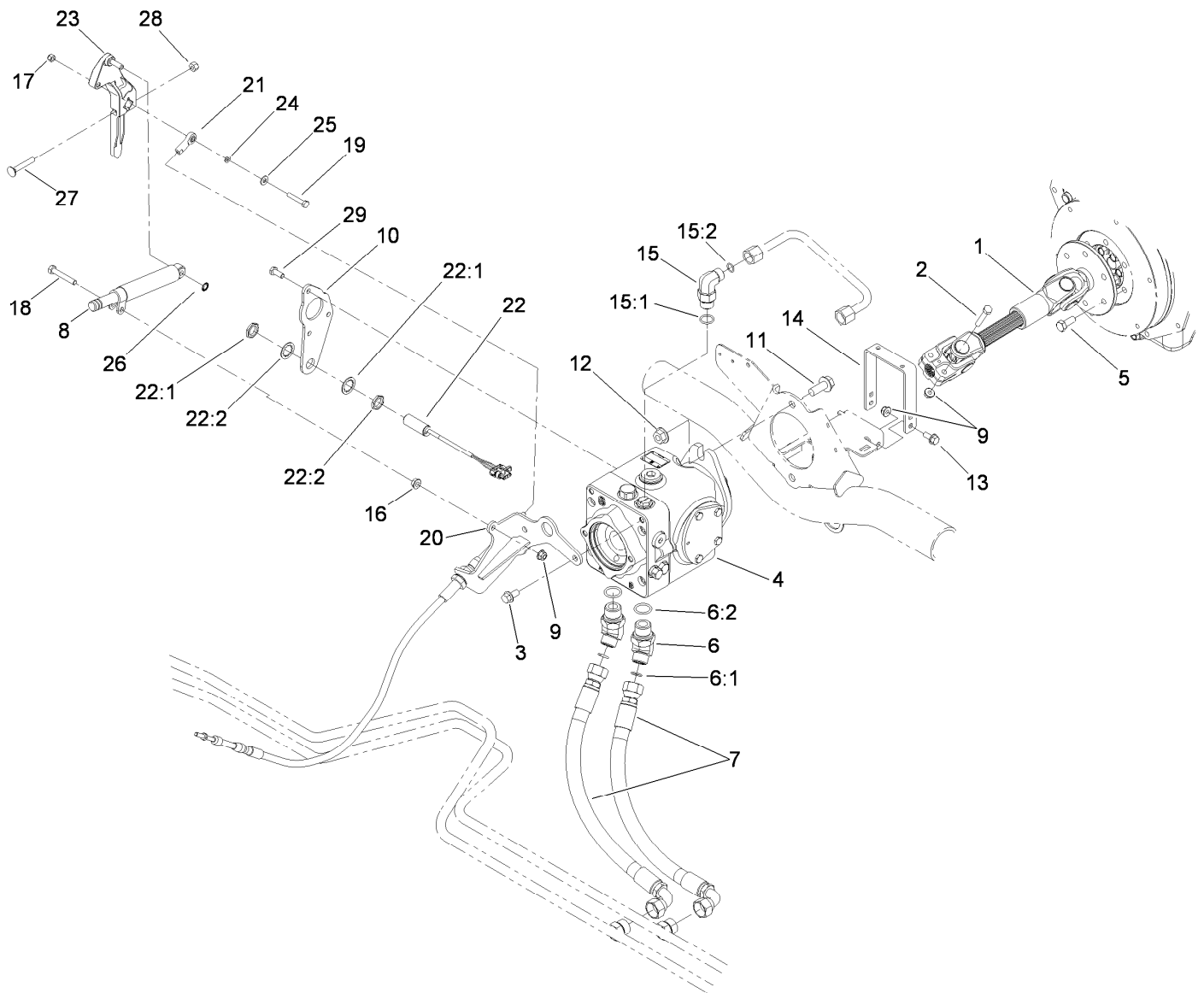
● Not serviced separately



## RH Brake Assembly No. 120-6260

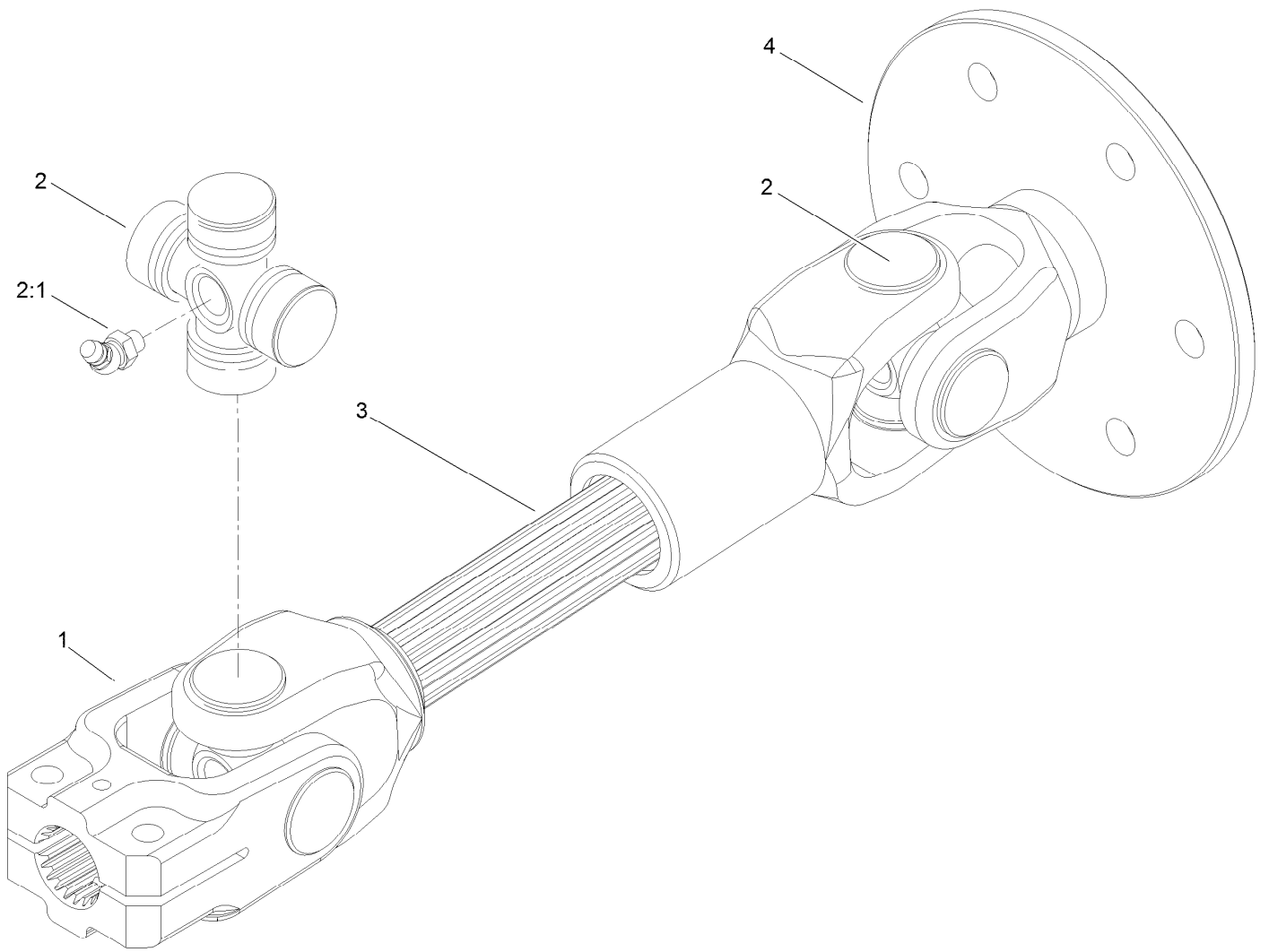
Ref.	Part Number	Qty.	Description
1	108-6981	1	Brake Shoe Kit
2	108-6983	1	Brake Hardware Kit
3	110-8884	1	RH Actuator Kit
3:1		1	Housing ●
3:2		1	Lever-RH ●
3:3		1	Pin-Pivot ●
3:4		1	E-Ring ●
4	110-8885	1	Dust Boot Kit
4:1		1	Boot ●
4:2		1	Plate-Back Up ●
4:3		2	Rivet ●

● Not serviced separately



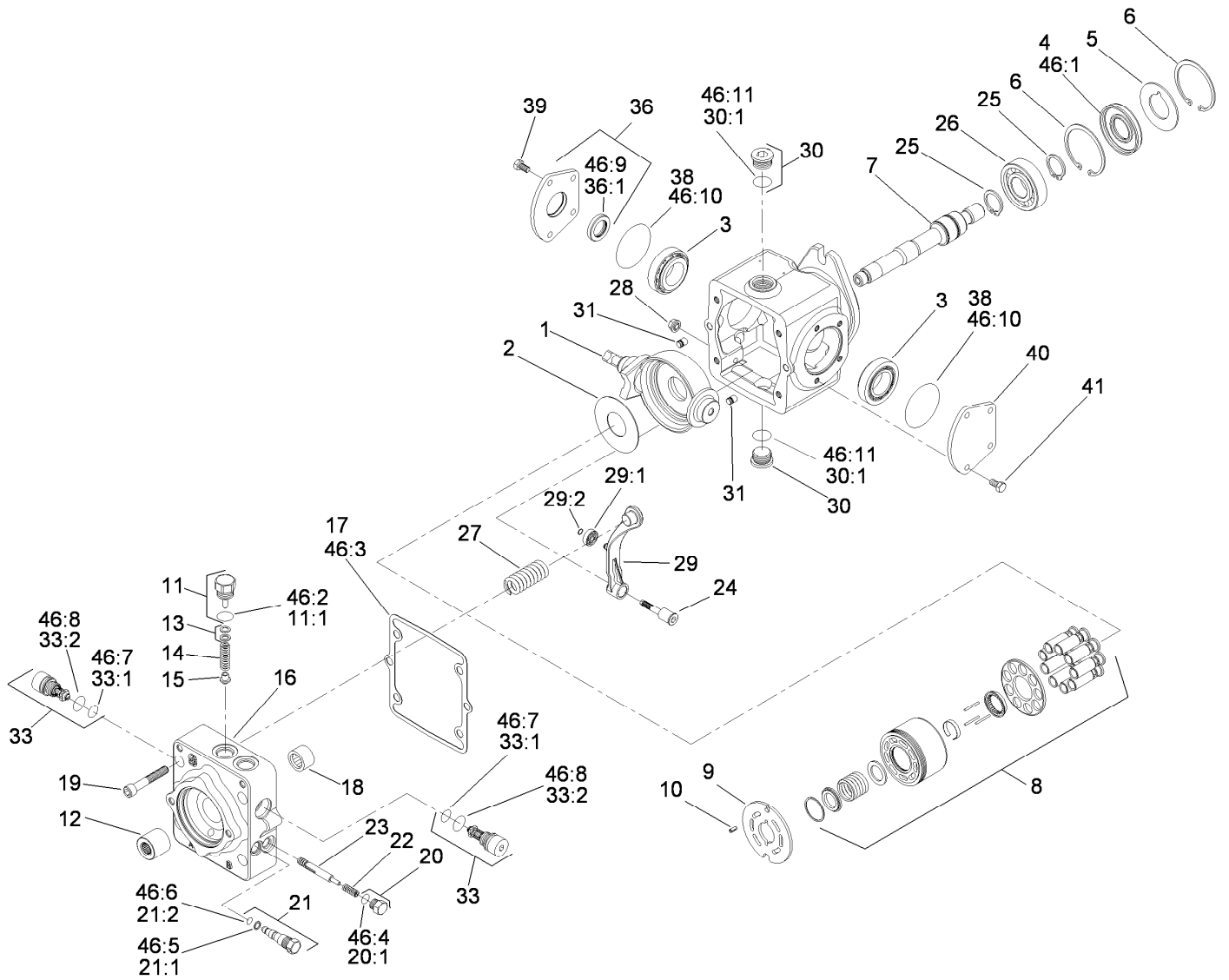
## Driveshaft and Variable Pump Hydraulic Fitting Assembly

Ref.	Part Number	Qty.	Description	Ref.	Part Number	Qty.	Description
1	107-2025	1	Driveshaft ASM	15:1	237-80	1	O-Ring
2	322-9	2	Screw-HH	15:2	237-30	1	O-Ring
3	3234-1	2	Screw-HHF	16	32128-20	1	Nut-HF
4	119-6972	1	Variable Hydraulic Pump ASM	17	3296-42	2	Nut-Lock, NI
5	43-0090	6	Screw-HH	18	322-10	1	Screw-HH
6	340-156	2	Fitting-Elbow 45	19	321-9	1	Screw-HH
6:1	237-65	1	O-Ring	20	110-5323-03	1	Bracket
6:2	237-81	1	O-Ring	21	2411-41	1	Rod End-Ball Joint
7	108-1679	2	Hose-HYD	22	115-5300	1	Proximity Switch ASM
8	76-8870	1	Damper-Lever	22:1	117-3207	2	Nut-Hex
9	104-8300	5	Nut-HF, NI	22:2	117-3208	2	Washer-Lock, Internal Tooth
10	119-6971-03	1	Plate-Pump	23	117-0265	1	Lever-Pump
11	3234-38	2	Screw-HHF	24	33093-00	1	Washer-Flat
12	32128-49	2	Nut-HHF	25	3256-22	1	Washer-Flat
13	3234-5	2	Screw-HHF	26	32151-72	1	Ring-Retaining
14	108-1799-03	1	Hoop-Guard	27	3230-6	1	Bolt-CARR
15	340-105	1	Fitting-Elbow, 90 DEG	28	3296-29	1	Nut-Lock, NI
				29	33114-020	3	Screw-HH



## Driveshaft Assembly No. 107-2025

<i>Ref.</i>	<i>Part Number</i>	<i>Qty.</i>	<i>Description</i>
1	54-9040	1	Yoke-End
2	54-9180	2	U-Joint Kit
2:1	62-3820	1	Fitting-Grease
3	108-4576	1	Joint And Shaft ASM
4	108-4577	1	Joint And Yoke ASM



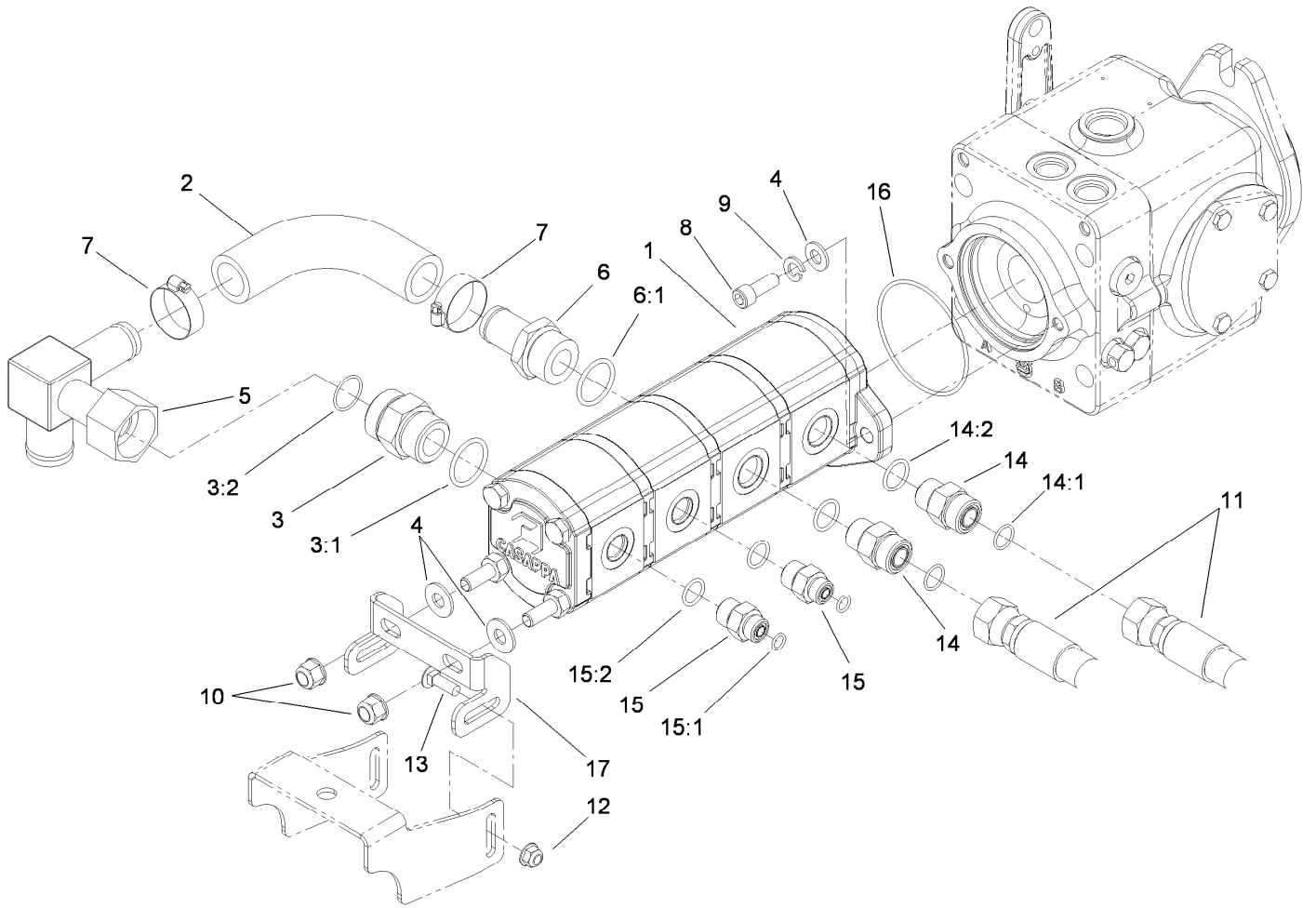
## Hydraulic Pump Assembly No. 119-6972

Ref.	Part Number	Qty.	Description	Ref.	Part Number	Qty.	Description
1	115-8092	1	Swashplate	18	75-0500	1	Bearing-Needle
2	75-0400	1	Plate-Thrust	19	110-6489	4	Screw
3	110-6483	2	Bearing Kit	20	94-9415	2	Plug ASM
4	110-6471	1	Seal-Lip	20:1		1	O-Ring ■
5	95-4400	1	Washer-Backup	21	107-4364	1	Bypass Valve ASM
6	69-3200	2	Ring-Retaining	21:1	25-2630	1	Ring-Back Up
7	110-6484	1	Shaft-Auxiliary	21:2	110-6498	1	O-Ring
8	110-6472	1	Cylinder Block Kit ASM	22	110-6491	2	Spring
9	110-6473	1	Plate-Valve (Clockwise)	23	110-6492	1	Spool-Loop, Flush
10	110-6485	1	Pin-Slotted	24	110-6493	1	Pivot-Return, Neutral
11	110-6486	1	Plug-Relief, Charge	25	69-3170	2	Ring-Retaining
11:1	28-3570	1	O-Ring	26	75-0460	1	Bearing-Ball
12	110-6480	1	Coupling	27	115-8085	1	Spring-Neutral Return
13	92-1353	1	Shim Kit	28	110-6496	1	Nut-Seal
14	110-6474	1	Spring	29	110-6497	1	Neutral Return Arm ASM
15	110-6475	1	Poppet	29:1	110-6494	1	Bearing-Cam
16	115-8087	1	Cap-End	29:2	110-3056	1	Ring-Retaining
17	110-6476	1	Gasket-Cap, End	30	69-3130	2	Plug

● Not illustrated

■ Not serviced separately

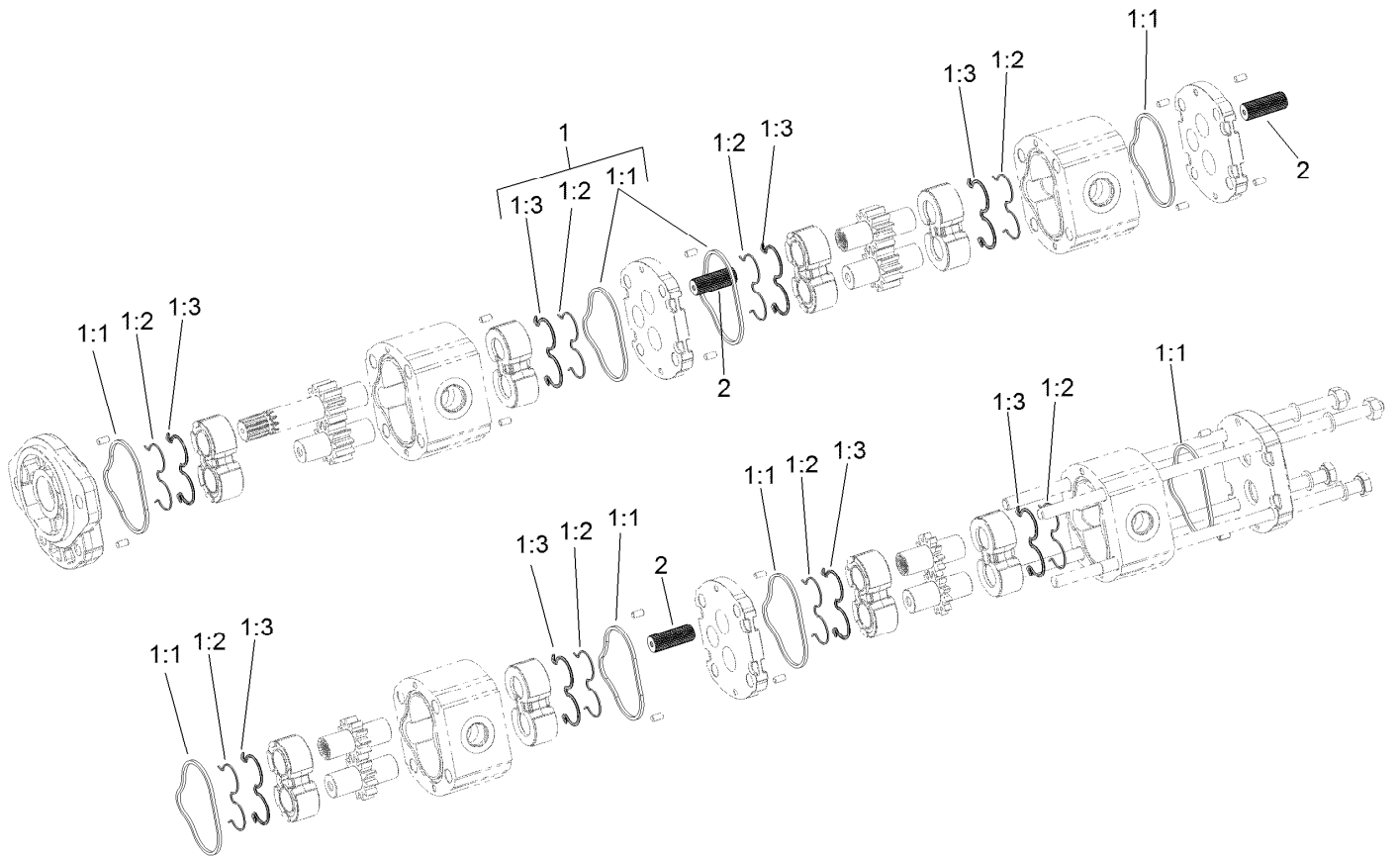




## Gear Pump Hydraulic Plumbing Assembly

<i>Ref.</i>	<i>Part Number</i>	<i>Qty.</i>	<i>Description</i>
1	105-7576	1	Gear Pump ASM
2	108-1683	1	Hose-Formed
3	104-3797	1	Fitting-Straight
3:1	237-146	1	O-Ring
3:2	340-65	1	O-Ring
4	3256-24	4	Washer-Flat
5	108-1672	1	Manifold-Tube
6	354-78	1	Fitting-STR
6:1	237-146	1	O-Ring
7	2412-34	2	Clamp-Hose
8	3274-1	2	Screw-HSH
9	3253-5	2	Washer-Lock

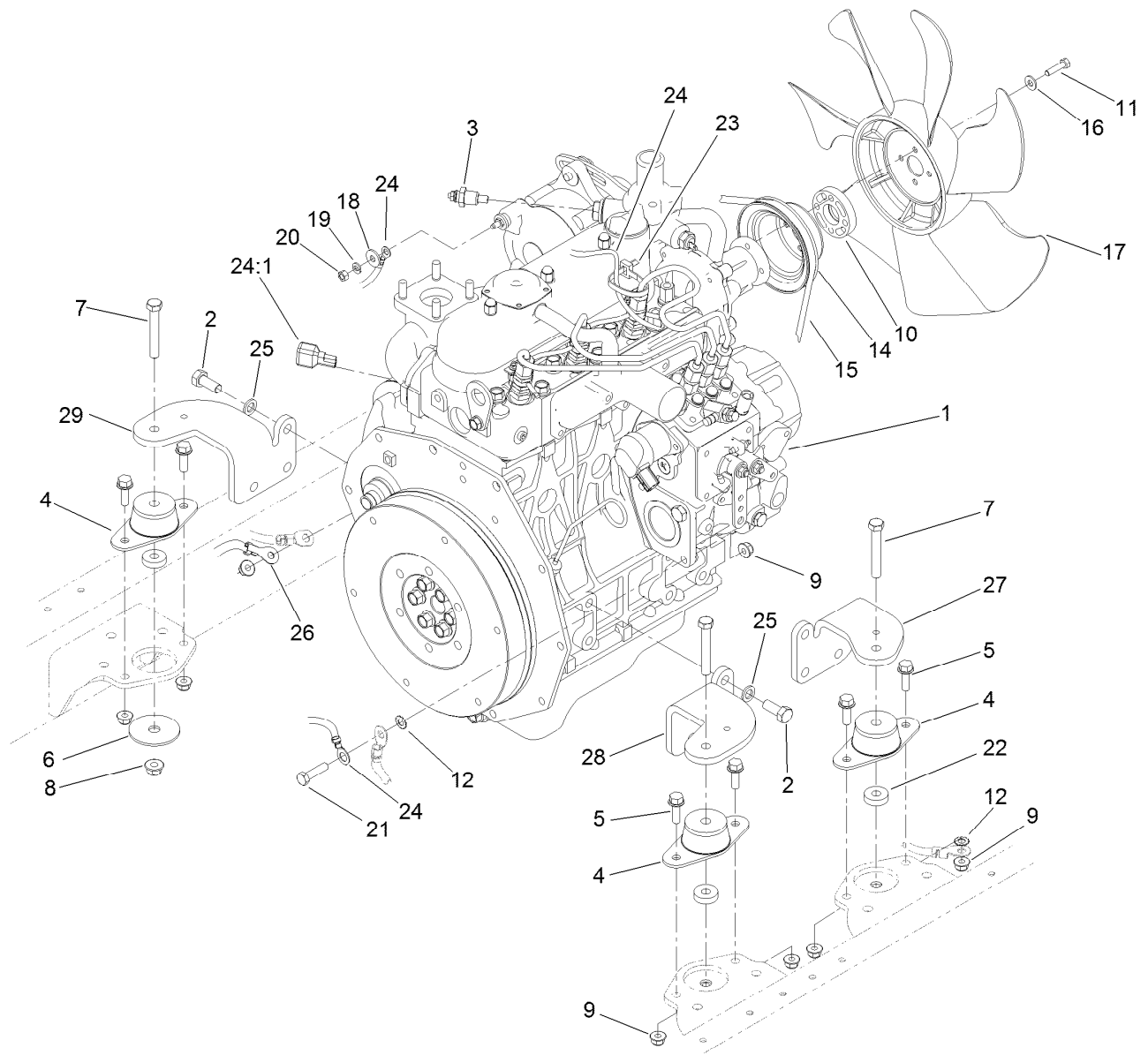
<i>Ref.</i>	<i>Part Number</i>	<i>Qty.</i>	<i>Description</i>
10	103-9511	2	Nut-Lock, NI
11	108-1686	2	Hose-HYD
12	104-8300	2	Nut-HF, NI
13	3230-1	2	Bolt-CARR
14	340-7	2	Fitting-Straight
14:1	237-65	1	O-Ring
14:2	237-80	1	O-Ring
15	340-3	2	Fitting-Straight
15:1	237-22	1	O-Ring
15:2	237-79	1	O-Ring
16	237-161	1	O-Ring
17	108-1801-01	1	Bracket-Support, Pump



## Gear Pump Assembly No. 107-4547

<i>Ref.</i>	<i>Part Number</i>	<i>Qty.</i>	<i>Description</i>
1	108-4595	1	Seal Kit
1:1		8	Seal ●
1:2		8	Seal ●
1:3		8	Ring-Back Up ●
2	120-6284	3	Hub-Connecting

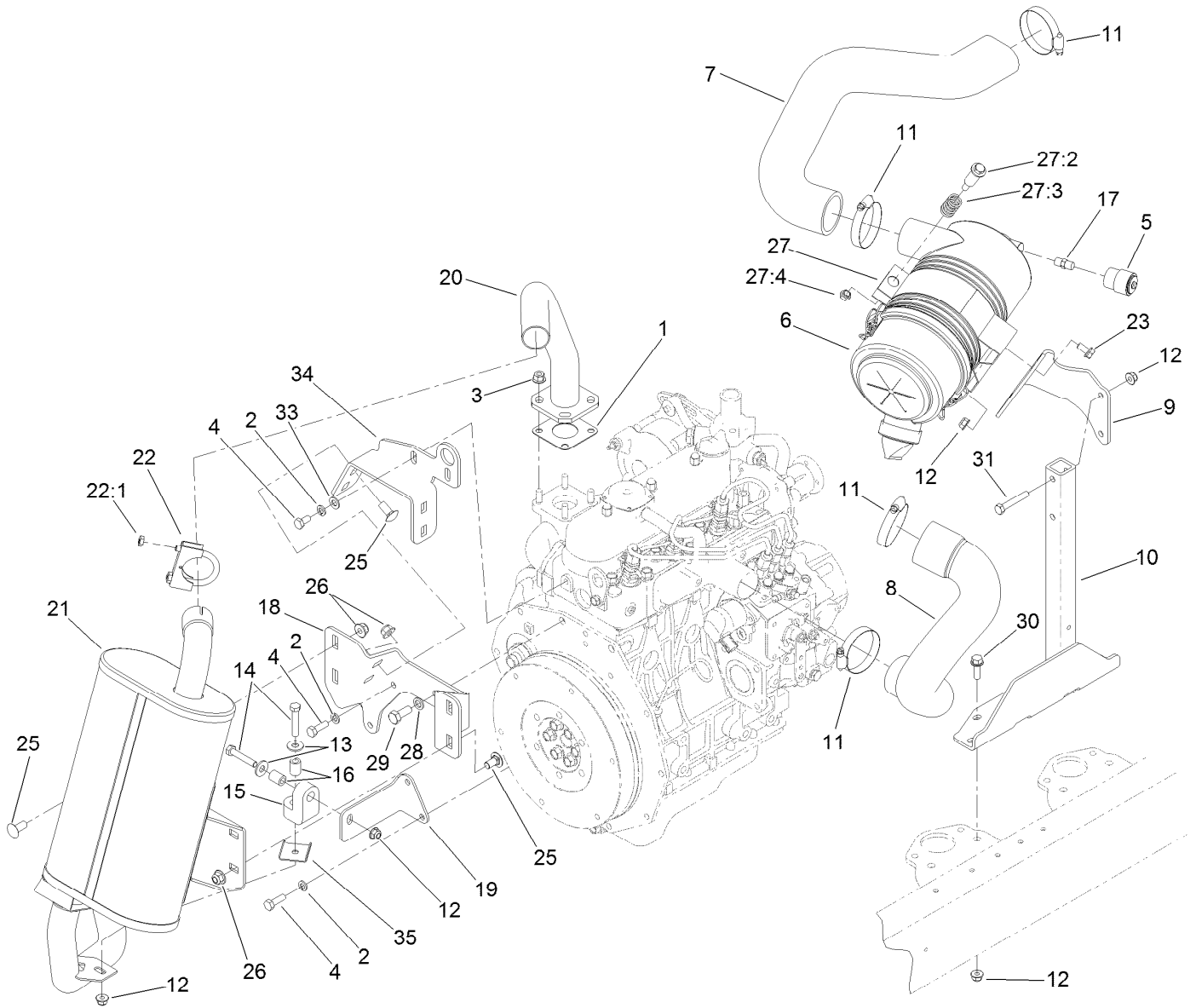
● Not serviced separately



## Engine Mounting and Electrical Assembly

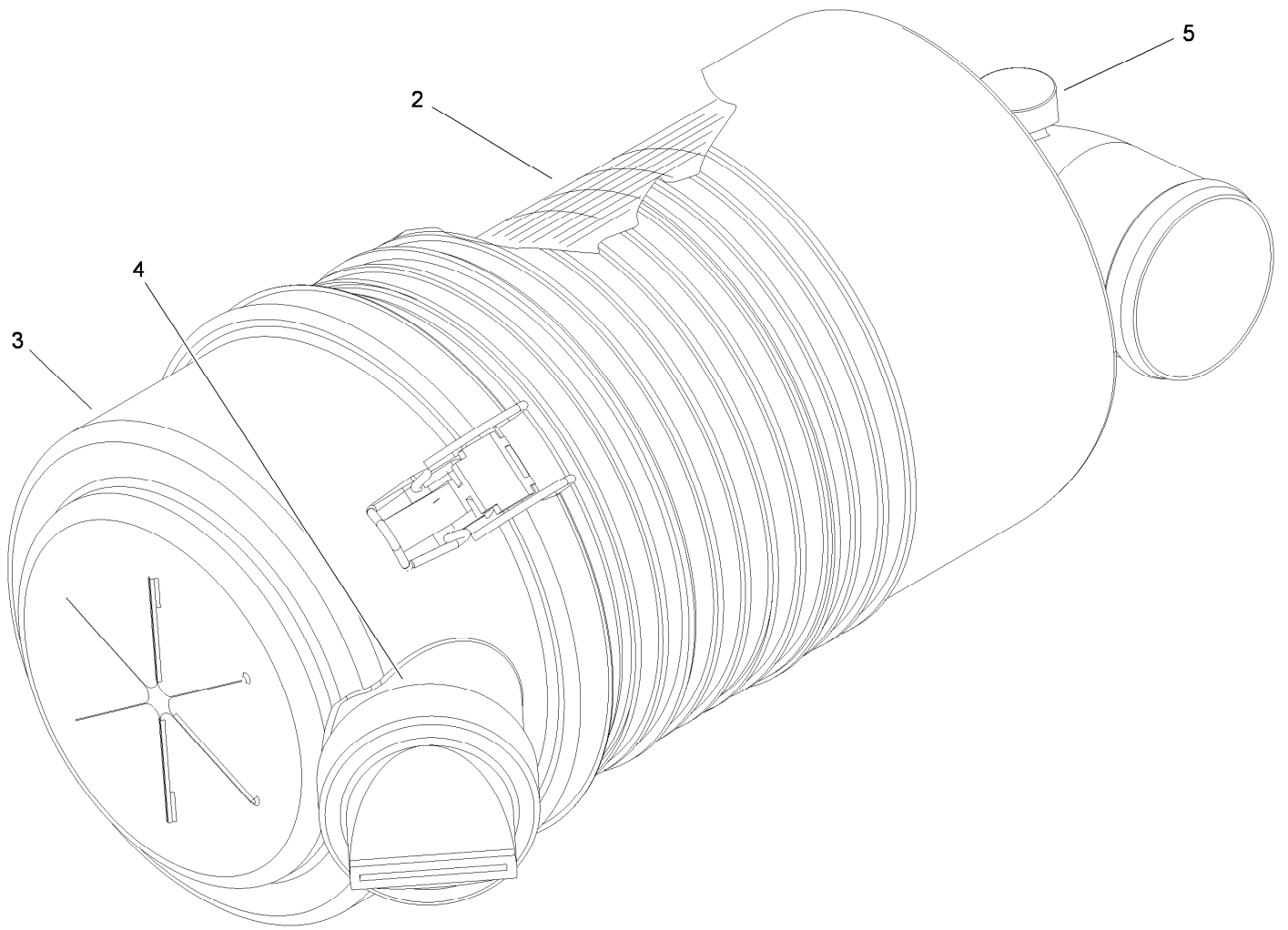
Ref.	Part Number	Qty.	Description
1	114-8850	1	Engine-Kubota
2	43-0090	12	Screw-HH
3	98-9346	1	Sender-Temperature
4	120-6274	4	Mount-Engine
5	3234-29	8	Screw-HHF
6	87-5100	4	Washer-Snubbing
7	323-12	4	Screw-HH
8	104-8301	4	Nut-HF, NI
9	104-8300	9	Nut-HF, NI
10	104-4247	1	Spacer-Fan
11	33113-025	4	Screw-HH
12	3255-8	2	Washer-Lock
14	110-0972	1	Pulley
15	98-9676	1	V-Belt
16	3256-22	4	Washer-Flat

Ref.	Part Number	Qty.	Description
17	110-0966	1	Fan-Cooling
18	3256-78	1	Washer-Flat
19	43-5930	1	Washer-Lock, Spring
20	48-7890	1	Nut-Hex
21	322-6	1	Screw-HH
22	62-6660	4	Spacer
23	3290-378	1	Tie-Cable
24	106-3615	1	Harness-Wire, Engine
24:1	100-4918	1	Diode
25	48-9590	12	Washer-Lock
26	99-3441	1	Harness-Wire, Fusible Link
27	115-8066-03	2	Mount-Engine
28	115-8068-03	1	Mount-Engine LH
29	115-8063-03	1	Mount-Engine, RH



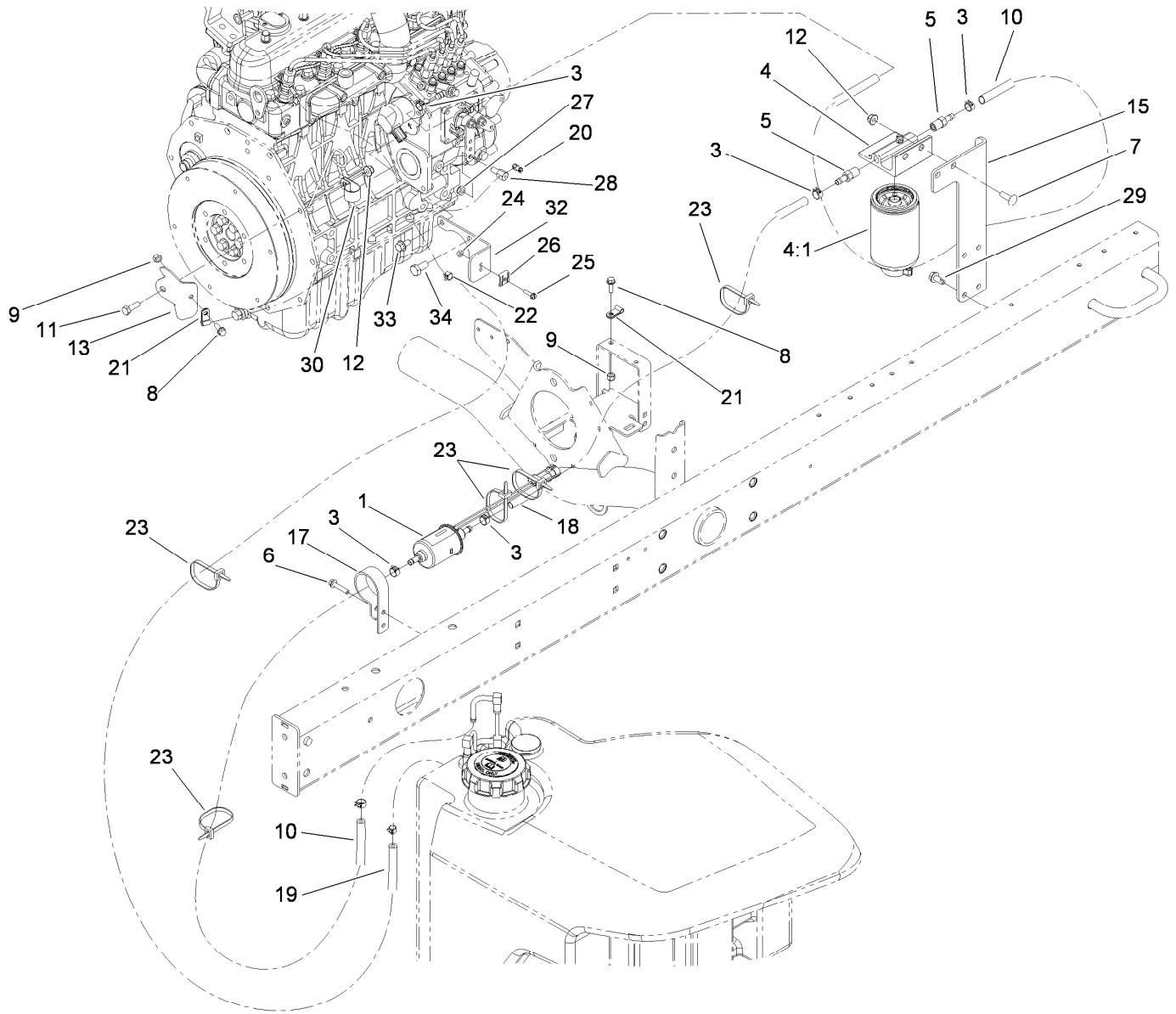
## Engine Air Intake and Exhaust Assembly

<i>Ref.</i>	<i>Part Number</i>	<i>Qty.</i>	<i>Description</i>	<i>Ref.</i>	<i>Part Number</i>	<i>Qty.</i>	<i>Description</i>
1	99-8343	1	Gasket-Muffler	20	108-1782	1	Header
2	3253-4	6	Washer-Lock	21	114-8897	1	Muffler
3	104-2612	4	Nut-HF	22	2112-9	1	Clamp
4	33114-020	6	Screw-HH	22:1	32128-20	2	Nut-HF
5	93-9164	1	Indicator-Mini	23	3234-14	2	Screw-HHF
6	106-5277	1	Air Cleaner ASM	25	3231-27	8	Screw-CARR
7	108-7550	1	Hose-Formed	26	104-8301	8	Nut-HF, NI
8	108-1744	1	Hose-Formed	27	100-4825	1	Band-Mounting, Air Cleaner
9	110-8980-03	1	Bracket-Mount	27:2	94-3653	1	Bolt
10	110-8977-03	1	Stand-Air Cleaner	27:3	94-3654	1	Spring
11	2412-130	4	Clamp-Hose	27:4	48-9510	1	Nut
12	104-8300	10	Nut-HF, NI	28	48-9590	1	Washer-Lock
13	3256-3	2	Washer-Flat	29	43-0090	1	Screw-HH
14	322-9	2	Screw-HH	30	3234-29	4	Screw-HHF
15	95-5622	1	Hanger-Rubber	31	322-10	2	Screw-HH
16	93-5023	2	Spacer	33	94-6936	2	Washer-Hardened
17	94-1416	1	Adapter-Indicator	34	110-8967-03	1	Bracket-Support, Muffler
18	108-1786-03	1	Bracket-Support, Muffler	35	110-8976	1	Plate-Support, Isolator
19	108-7569-03	1	Bracket-Exhaust				



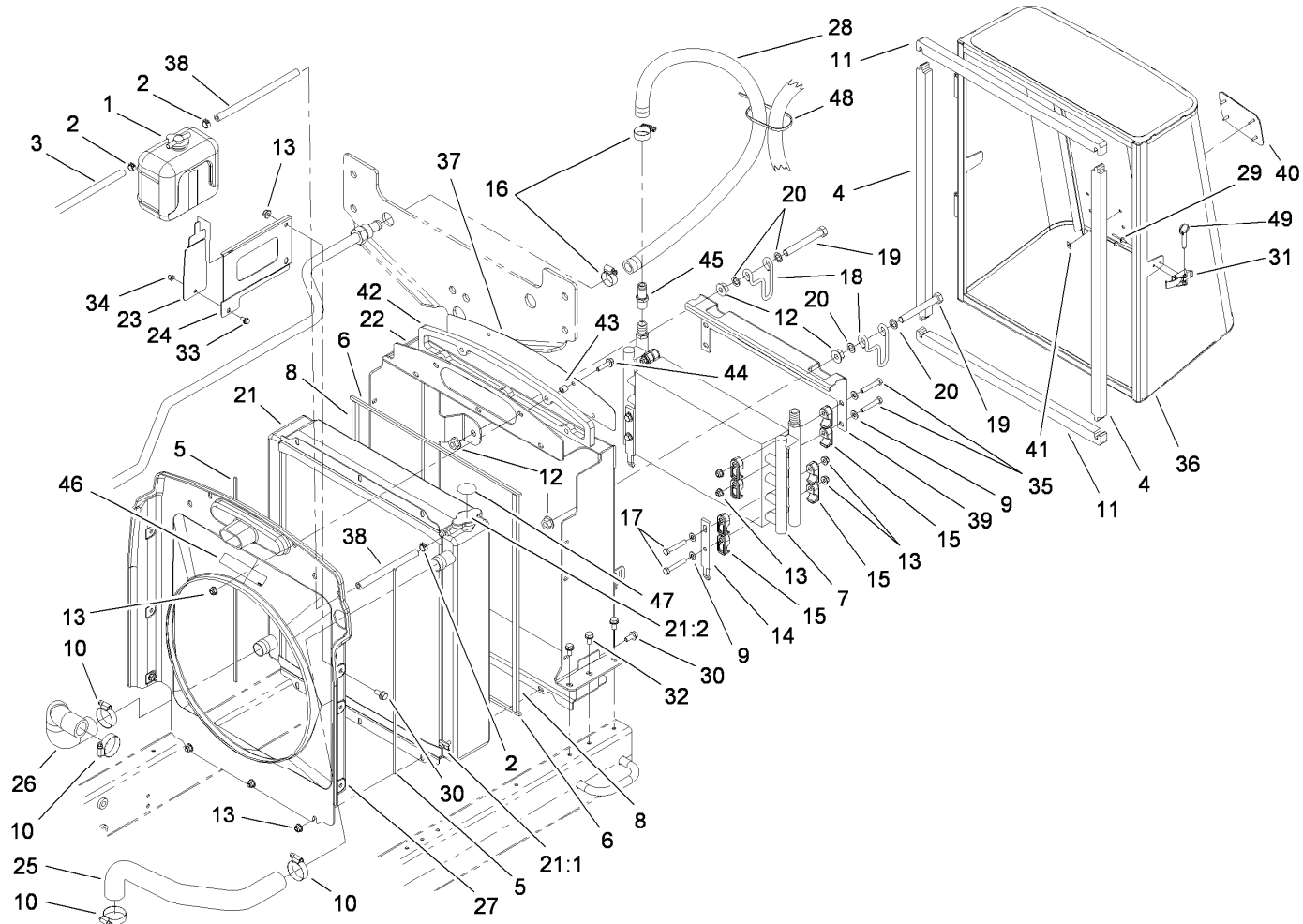
## Air Cleaner Assembly No. 106-5277

<i>Ref.</i>	<i>Part Number</i>	<i>Qty.</i>	<i>Description</i>
2	108-3810	1	Filter-Air
3	98-9771	1	Cover ASM
4	87-9400	1	Valve-Vacuator
5	285-17	1	Plug-Pipe



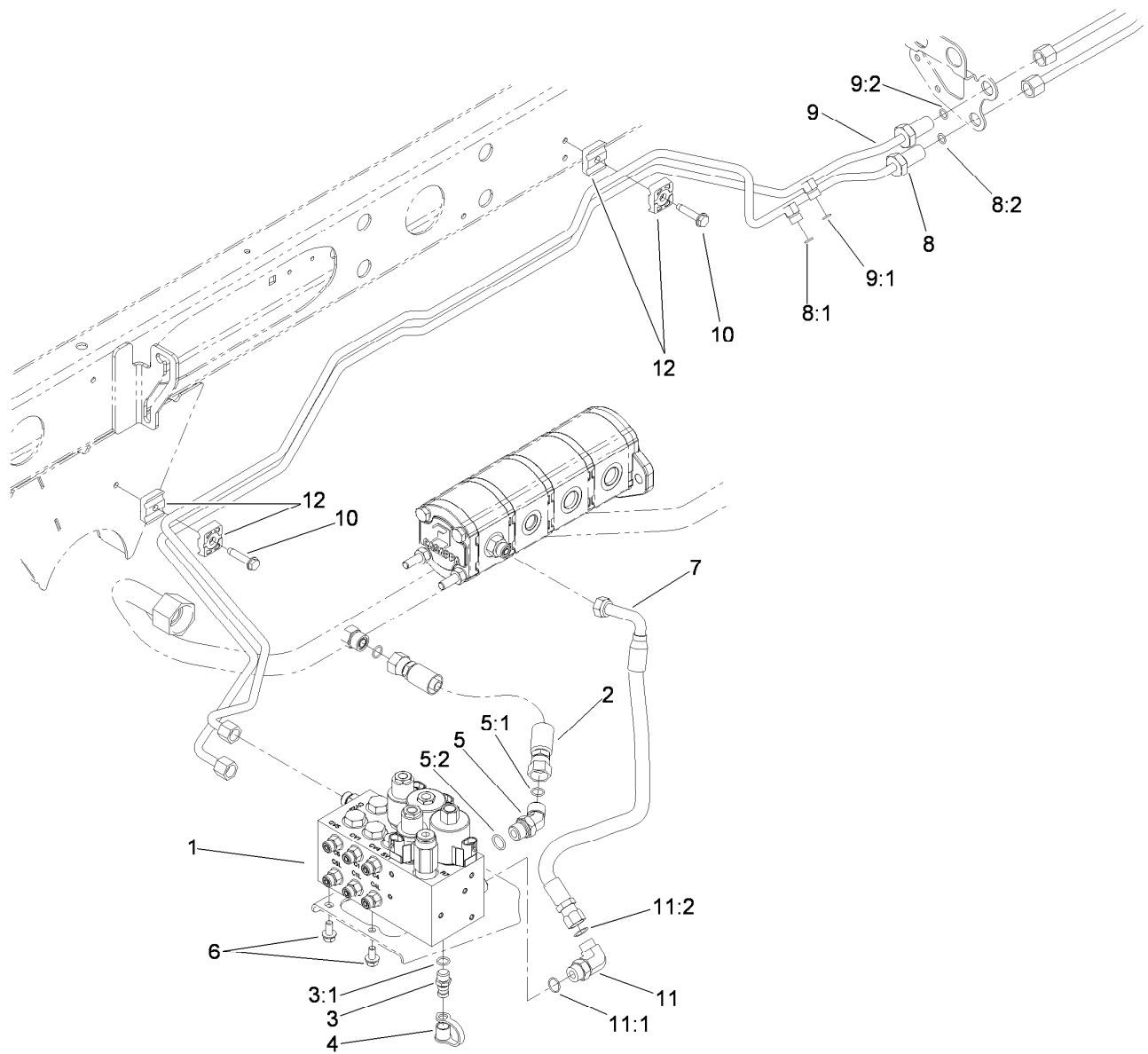
## Fuel System Delivery Assembly

Ref.	Part Number	Qty.	Description	Ref.	Part Number	Qty.	Description
1	110-8806	1	Pump-Fuel	19	117-0298	1	Hose-Fuel
3	92-2379	5	Clamp-Hose	20	112-9919	1	Stop-Cable, Throttle
4	110-9044	1	Separator-Filter	21	2412-149	2	Clamp-R
4:1	110-9049	1	Filter-Spin On, Fuel/Water	22	2412-80	1	Clamp-Hose
5	353-783	2	Fitting-STR	23	3290-378	5	Tie-Cable
6	32144-110	1	Screw-HWH	24	3296-2	1	Nut-Lock, NI
7	3230-22	2	Screw-CARR	25	32105-13	1	Screw-HWH
8	3234-4	2	Screw-HHF	26	81-1690	1	Clamp-Cable
9	3296-42	2	Nut-Lock, NI	27	3296-20	1	Nut-Lock, NI
10	109-0309	2	Hose-Fuel	28	98-9311	1	Swivel-Throttle
11	322-5	1	Screw-HH	29	32104-32	4	Screw-HWH
12	104-8300	3	Nut-HF, NI	30	2412-41	1	Clamp-R
13	110-9007-03	1	Support-Cable, Throttle	32	110-9009-03	1	Bracket-Cable, Throttle
15	110-8968-01	1	Mount-Separator, Water	33	33114-016	1	Screw-HH
17	110-8817	1	Bracket-Pump, Fuel	34	63-7790	1	Screw-Cap
18	110-3259	1	Hose-Fuel				



## Radiator and Hydraulic Cooler Assembly

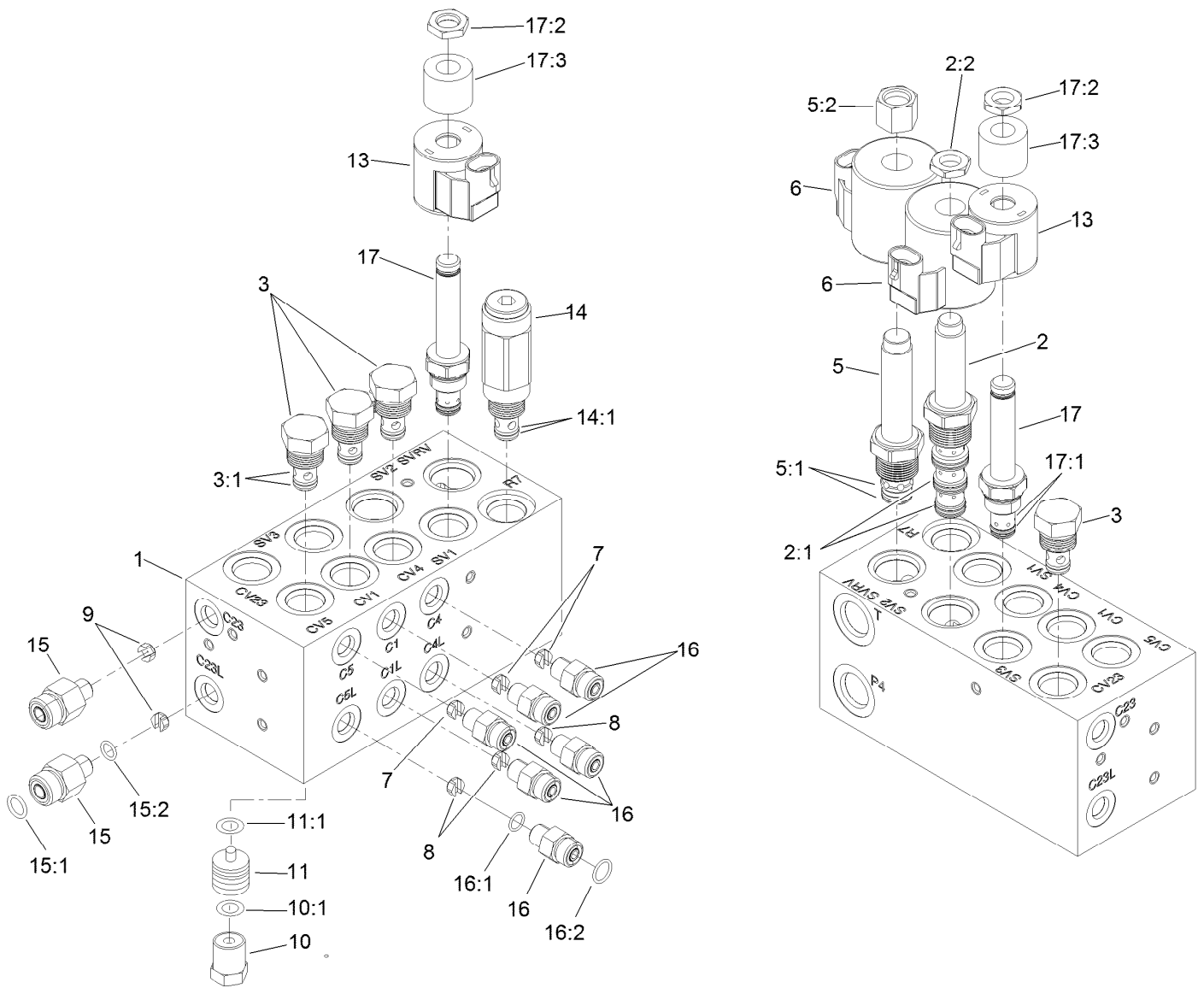
<i>Ref.</i>	<i>Part Number</i>	<i>Qty.</i>	<i>Description</i>	<i>Ref.</i>	<i>Part Number</i>	<i>Qty.</i>	<i>Description</i>
1	108-0638	1	Bottle-Overflow	25	108-1696	1	Hose-Formed
2	92-2379	3	Clamp-Hose	26	108-1697	1	Hose-Formed
3	110-3257	1	Hose-Fuel	27	108-1791	1	Shroud-Fan
4	110-0967	2	Seal-Foam	28	108-1693	2	Hose
5	110-0971	2	Seal-Foam	29	3269-15	2	Rivet-Pop
6	110-0970	2	Seal-Foam	30	3234-5	9	Screw-HHF
7	75-1040	1	Cooler-Oil	31	115-1554	1	Latch-Draw
8	110-0969	2	Seal-Foam	32	32104-32	6	Screw-HWH
9	3256-23	8	Washer-Plain	33	3234-13	1	Screw-HHF
10	2412-34	4	Clamp-Hose	34	3296-42	1	Nut-Lock, NI
11	110-0968	2	Seal-Foam	35	322-21	4	Screw-HH
12	32128-49	4	Nut-HHF	36	110-0952-03	1	Screen ASM
13	104-8300	22	Nut-HF, NI	37	108-1843-03	1	Screen-Intake, Air
14	104-5460-03	2	Plate-Mount, Oil Cooler	38	110-4104	1	Hose-Fuel
15	105-3943	16	Clamp-Cooler, Oil	39	110-5329-03	1	Bracket-Oil Cooler, Top
16	2412-129	4	Clamp-Hose	40	93-6028	1	Plate-Logo
17	322-10	4	Screw-HH	41	94-2638	4	Nut-Flat
18	104-5429	2	Clamp-Form, Wire	42	110-5324	1	Seal-Foam
19	325-17	2	Screw-HH	43	1-603903	5	Spacer
20	41-8440	4	Washer	44	3234-36	5	Screw-HHF
21	110-5325	1	Radiator ASM	45	110-5065	2	Hosebarb
21:1	304-46	1	Draincock	46	93-7272	1	Decal-Warning
21:2	93-5957	1	Cap-Radiator	47	106-6755	1	Decal-Cap, Radiator
22	108-1617-03	1	Frame-Radiator	48	3290-378	1	Tie-Cable
23	108-1665-03	1	Bracket-Reservoir	49	115-1556	1	Pin-Ball, Detent
24	108-1666-03	1	Bracket-Reservoir				



## Hydraulic Lift Block and Plumbing Assembly

Ref.	Part Number	Qty.	Description
1	105-7577	1	HYD Lift Block Manifold ASM
2	117-0180	1	Hose-HYD
3	59-7410	1	Fitting-Diagnostic
3:1	237-42	1	O-Ring
4	354-79	1	Cap-Dust
5	340-101	1	Fitting-HYD, 45 DEG
5:1	237-30	1	O-Ring
5:2	237-79	1	O-Ring
6	3234-14	2	Screw-HHF
7	92-5694	1	Hose-Hydraulic

Ref.	Part Number	Qty.	Description
8	108-1720	1	Tube ASM
8:1	237-21	1	O-Ring
8:2	237-22	1	O-Ring
9	108-1721	1	Tube ASM
9:1	237-21	1	O-Ring
9:2	237-22	1	O-Ring
10	32144-57	2	Screw
11	340-18	1	Fitting-HYD, 90 DEG
11:1	237-79	1	O-Ring
11:2	237-22	1	O-Ring
12	56-7973	4	Clamp-Tube



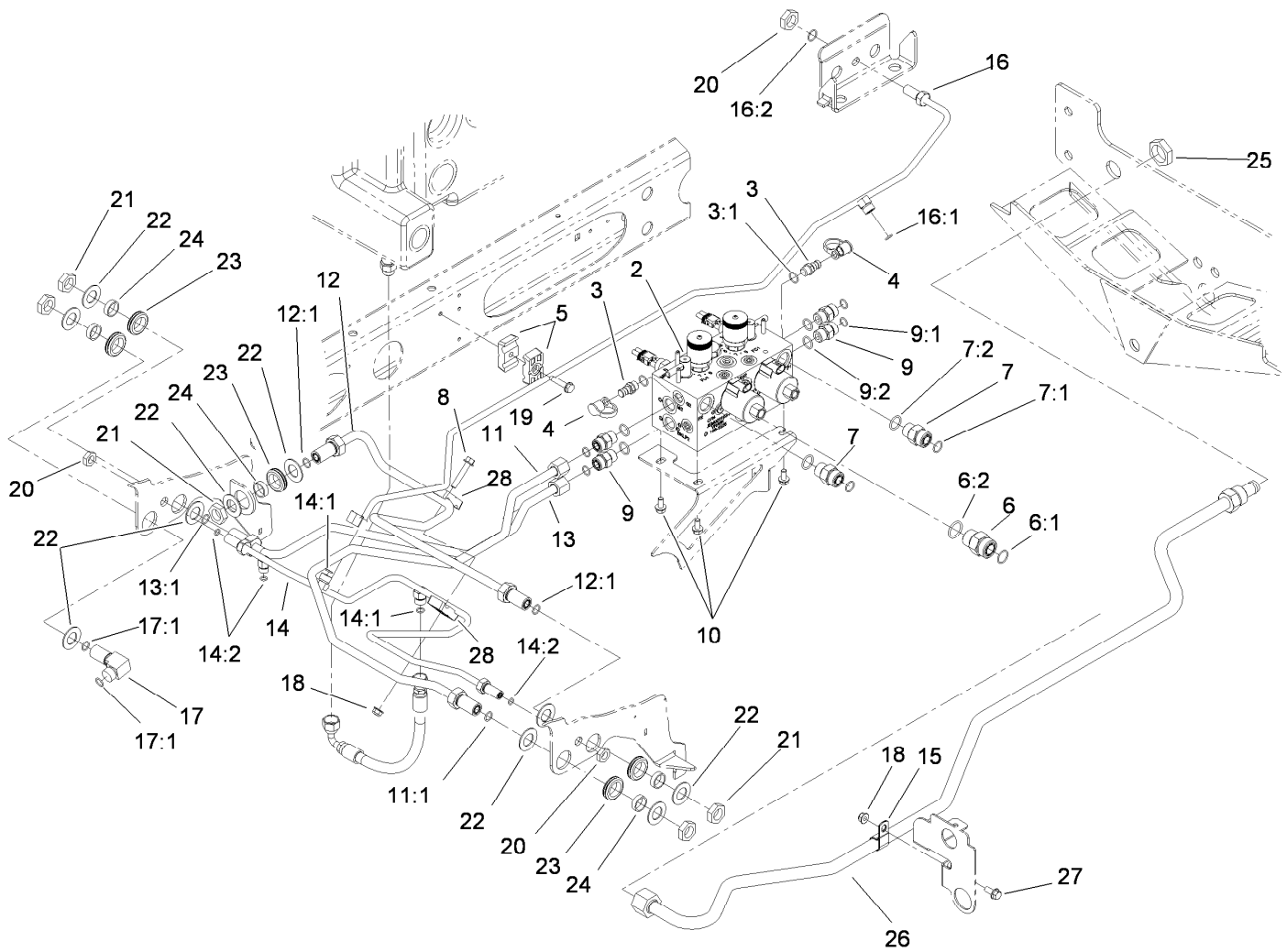
## Hydraulic Manifold Block Assembly No. 105-7577

Ref.	Part Number	Qty.	Description
1		1	Block-Manifold ■
2	110-8906	1	Valve-Solenoid
2:1	110-8908	1	Spool Valve Seal Kit
2:2	110-2634	1	Nut-Coil
3	110-9006	4	Valve-Check
3:1	105-9156	1	Seal Kit
5	110-8905	1	Valve-Relief, Solenoid
5:1	110-6316	1	Seal Kit
5:2	130-8180	1	Nut-Coil (9/16-24 Unef-2B)
6	110-6344	2	Coil-12V, DC
7	110-8904	3	Orifice-Control, Flow (0.028)
7	125-8849	3	Orifice-Flow Control ●
8	110-8903	3	Orifice-Control, Flow (0.055)
9	110-8902	2	Orifice-Control, Flow (0.046)
10	354-70	4	Plug-Hex, Hollow
10:1	237-80	1	O-Ring

Ref.	Part Number	Qty.	Description
11	110-8901	4	Piston-Pilot
11:1	110-8900	1	O-Ring
13	110-0497	2	Coil-Solenoid
14	110-8899	1	Valve-Relief
14:1	105-9156	1	Seal Kit
15	340-88	2	Fitting-Straight
15:1	237-22	1	O-Ring
15:2	237-78	1	O-Ring
16	340-92	6	Fitting-Straight
16:1	237-78	1	O-Ring
16:2	237-21	1	O-Ring
17	110-8898	2	Valve-Solenoid
17:1	107-7527	1	Seal Kit
17:2	110-2634	1	Nut-Coil
17:3	110-8909	1	Spacer-Coil

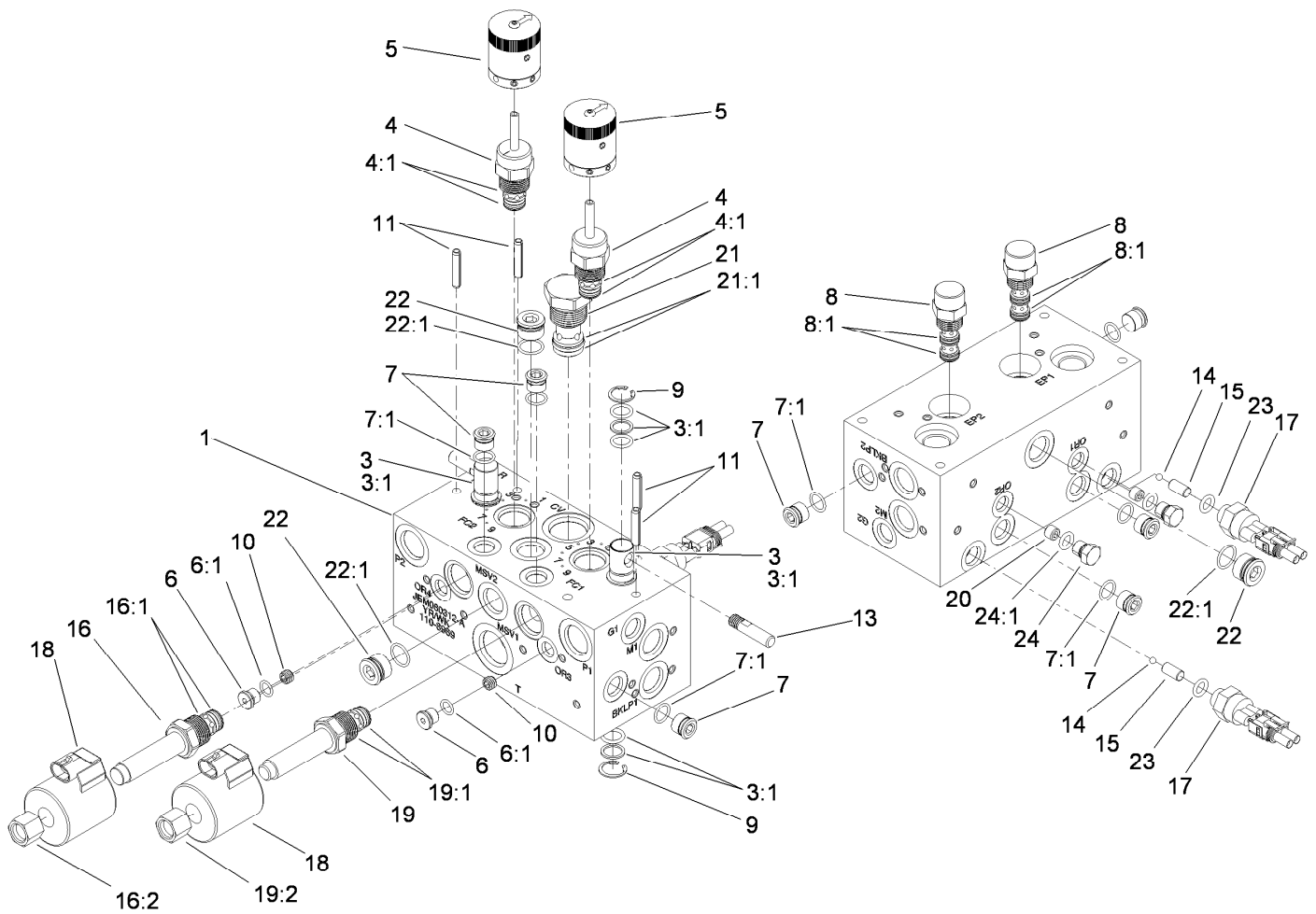
● Optional Equipment

■ Not serviced separately



## Reel Control Block Hydraulic Plumbing Assembly

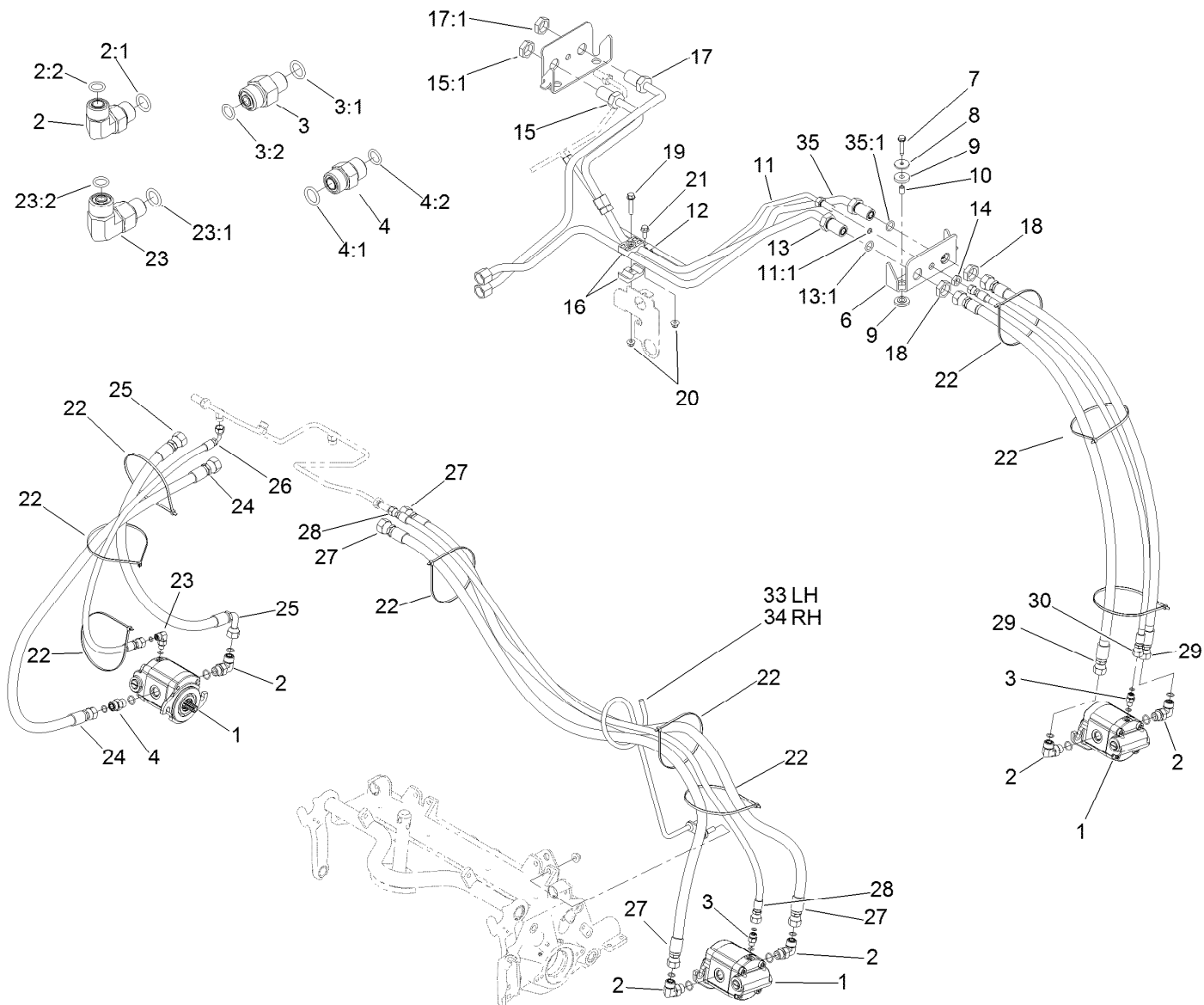
Ref.	Part Number	Qty.	Description	Ref.	Part Number	Qty.	Description
2	110-8969	1	Manifold-Block, Mow	13:1	237-65	1	O-Ring
3	59-7410	2	Fitting-Diagnostic	14	110-5286	1	Tube ASM
3:1	237-42	1	O-Ring	14:1	237-22	2	O-Ring
4	354-79	2	Cap-Dust	14:2	237-21	3	O-Ring
5	56-7972	2	Clamp-Tube	15	2412-4	1	Clamp-R
6	340-9	1	Fitting-STR	16	114-8888	1	Tube ASM
6:1	237-58	1	O-Ring	16:1	237-22	1	O-Ring
6:2	237-81	1	O-Ring	16:2	237-21	1	O-Ring
7	340-7	2	Fitting-Straight	17	340-72	1	Fitting-Bulkhead, 90 DEG
7:1	237-65	1	O-Ring	17:1	237-65	2	O-Ring
7:2	237-80	1	O-Ring	18	104-8300	2	Nut-HF, NI
8	94-5780	1	Screw-HWH	19	32144-57	1	Screw
9	340-155	4	Fitting-Straight	20	340-78	3	Nut-Lock
9:1	237-79	1	O-Ring	21	340-74	5	Nut-Lock, Bulkhead
9:2	237-151	1	O-Ring	22	69-9010	10	Washer
10	3234-14	3	Screw-HHF	23	240-3	5	Grommet-Rubber
11	117-0138	1	Tube ASM	24	69-9000	5	Spacer
11:1	237-65	1	O-Ring	25	340-126	1	Nut-Bulkhead
12	117-0137	1	Tube ASM	26	108-1700	1	Tube ASM
12:1	237-65	2	O-Ring	27	3234-5	1	Screw-HHF
13	117-0139	1	Tube ASM	28	56-7970	2	Clamp-Tube



## Hydraulic Manifold Block Assembly No. 110-8969

Ref.	Part Number	Qty.	Description	Ref.	Part Number	Qty.	Description
1		1	Block-Manifold ●	15	110-8761	2	Pin-Dowel
3	117-0108	2	Spool-Rotary	16	110-8888	1	Valve-Relief, Solenoid
3:1	117-0109	1	Seal Kit	16:1	110-6316	1	Seal Kit
4	110-8769	2	Valve-Control, Manual Flow	16:2	110-2635	1	Nut-Coil
4:1	110-2633	1	Seal Kit	17	72-4310	2	Switch-Ball
5	110-8767	2	Rotary Handle ASM	18	110-6344	2	Coil-12V, DC
6	353-990	4	Plug ASM	19	110-6345	1	Valve-Relief, Solenoid
6:1	237-78	1	O-Ring	19:1	110-6316	1	Seal Kit
7	106-1026	6	Plug-HYD	19:2	110-2635	1	Nut-Coil
7:1	237-42	1	O-Ring	20	110-0495	2	Plug-Orifice (0.050 Inch)
8	110-8988	2	Element-Logic	21	110-8886	1	Valve-Check
8:1	110-8773	1	Seal Kit	21:1	110-0470	1	Seal Kit
9	112-6532	4	Ring-Retaining	22	106-1027	3	Plug
10	110-8989	2	Plug-Orifice (0.010)	22:1	237-79	1	O-Ring
11	112-6531	4	Pin-Spring	23	110-8757	2	O-Ring
13	110-8758	2	Handle-Spool	24	117-0115	2	Plug
14	110-8762	2	Ball-Chrome	24:1	237-78	1	O-Ring

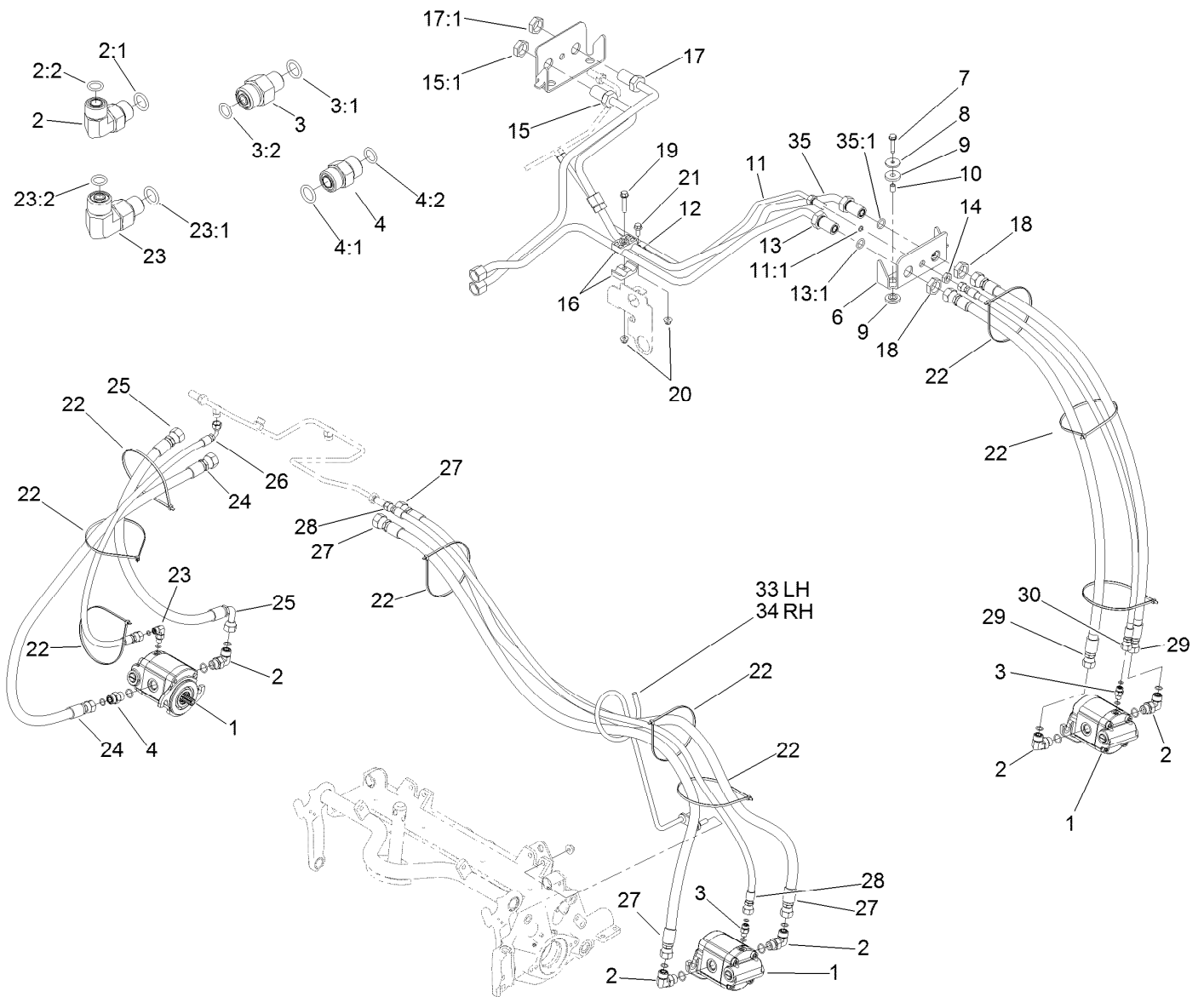
● Not serviced separately



## Rear Reel Drive System Plumbing and Front Hose Assembly

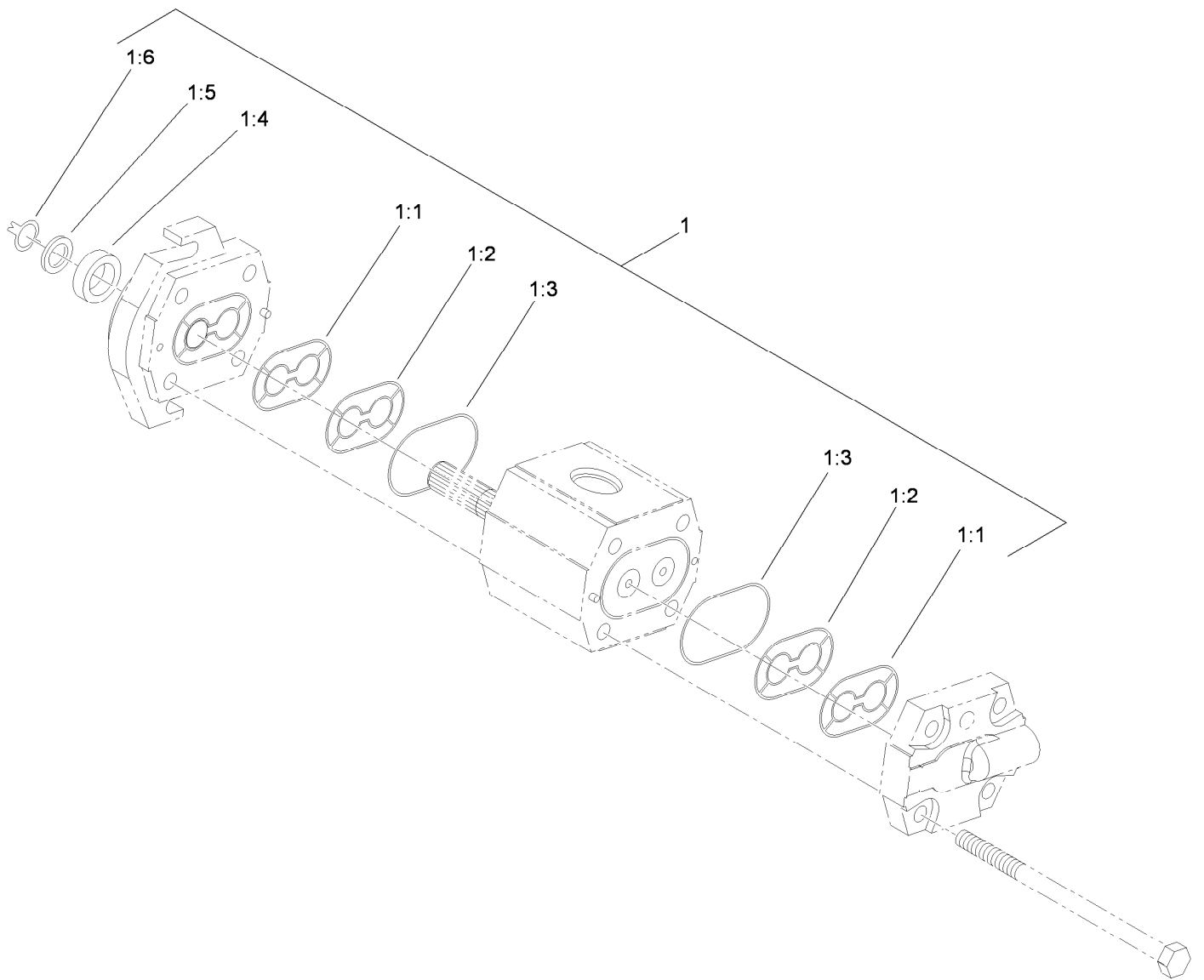
Ref.	Part Number	Qty.	Description
1	112-9200	5	HYD Motor ASM
2	340-98	9	Fitting-Elbow, 90 DEG
2:1	237-79	1	O-Ring
2:2	237-30	1	O-Ring
3	340-92	4	Fitting-Straight
3:1	237-78	1	O-Ring
3:2	237-21	1	O-Ring
4	340-4	1	Fitting-Straight
4:1	237-30	1	O-Ring
4:2	237-79	1	O-Ring
6	117-0174-03	2	Bracket-Bulkhead
7	32144-57	4	Screw
8	105-3048	4	Washer-Flat
9	240-11	8	Bushing-Flange
10	99-8611	4	Spacer
11	114-8887	1	Tube ASM
11:1	237-21	1	O-Ring
12	2412-113	1	Clamp-R
13	117-0142	1	Tube ASM

Ref.	Part Number	Qty.	Description
13:1	237-65	1	O-Ring
14	340-78	1	Nut-Lock
15	117-0140	1	Tube ASM
15:1	237-65	1	O-Ring
16	56-7971	2	Clamp-Tube
17	117-0141	1	Tube ASM
17:1	237-65	1	O-Ring
18	340-74	4	Nut-Lock, Bulkhead
19	94-5780	1	Screw-HWH
20	104-8300	2	Nut-HF, NI
21	3234-5	1	Screw-HHF
22	3334-945	15	Tie-Cable
23	340-132	1	Fitting-Elbow, 90 DEG
23:1	237-78	1	O-Ring
23:2	237-21	1	O-Ring
24	114-0633	1	Hose-HYD
25	117-5190	1	Hose-HYD
26	106-3671	1	Hose-HYD
27	117-5188	4	Hose-HYD



## Rear Reel Drive System Plumbing and Front Hose Assembly (continued)

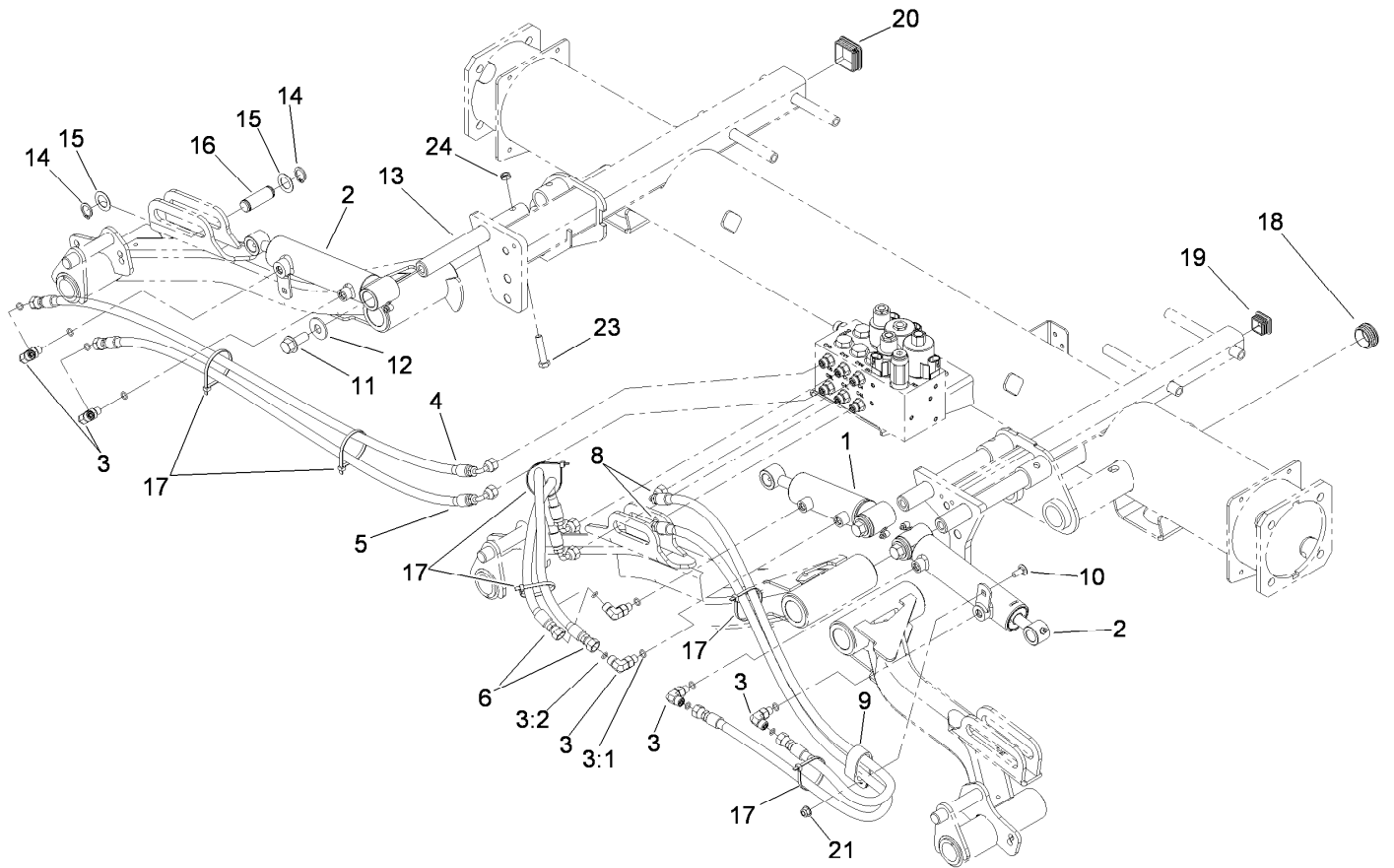
<i>Ref.</i>	<i>Part Number</i>	<i>Qty.</i>	<i>Description</i>	<i>Ref.</i>	<i>Part Number</i>	<i>Qty.</i>	<i>Description</i>
28	106-3680	2	Hose-HYD	34	119-3920	1	Guide-Hose, RH
29	114-0633	4	Hose-HYD	35	117-0177	1	Tube ASM
30	98-4590	2	Hose-HYD	35:1	237-65	2	O-Ring
33	119-3921	1	Guide-Hose, LH				



## Hydraulic Motor Assembly No. 112-9200

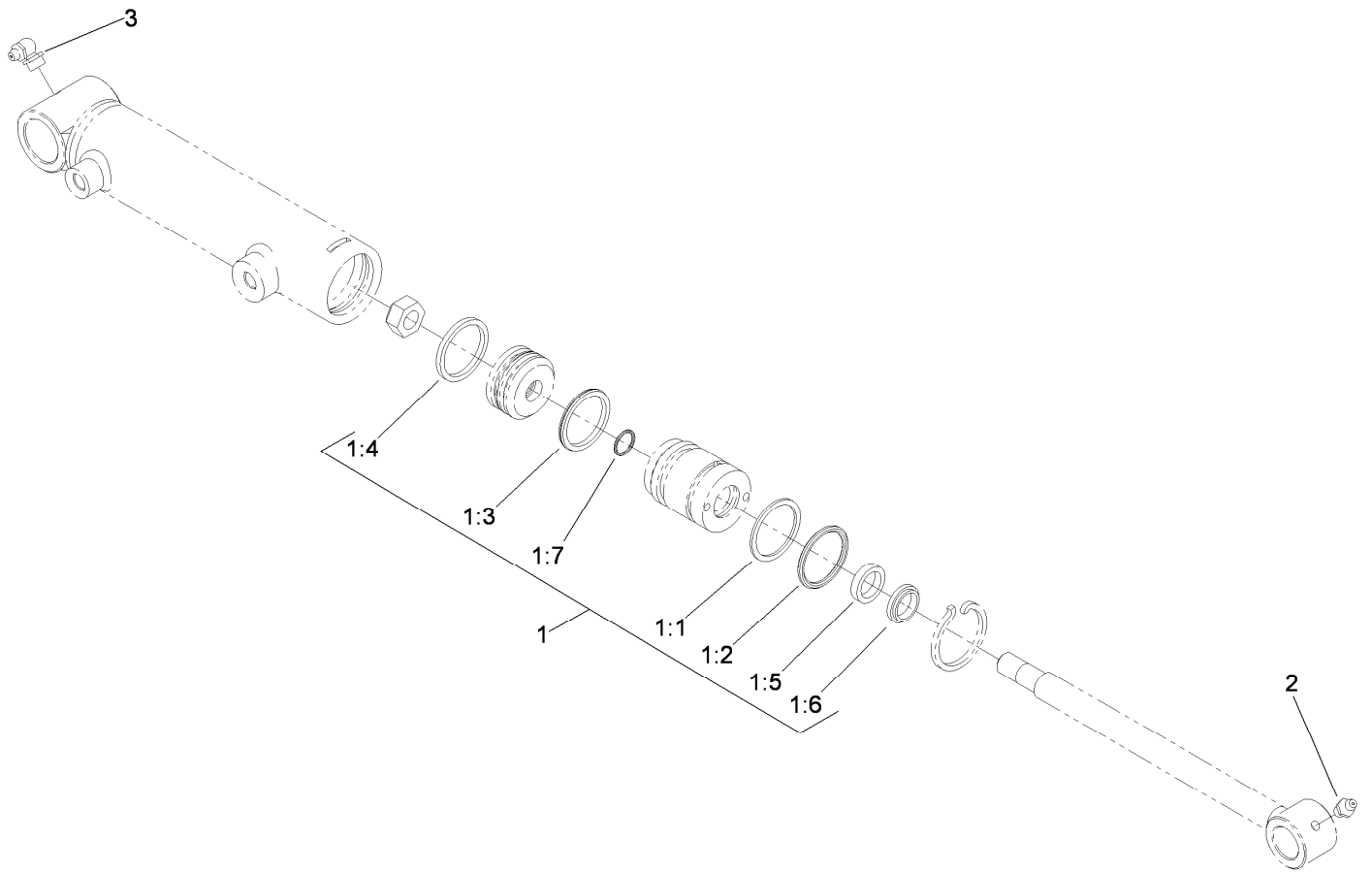
<i>Ref.</i>	<i>Part Number</i>	<i>Qty.</i>	<i>Description</i>
1	112-9184	1	Seal Kit
1:1		2	Seal-Extrusion, Anti ●
1:2		2	Seal-Pressure ●
1:3		2	O-Ring ●
1:4		1	Seal-Shaft ●
1:5		1	Washer-Backup ●
1:6		1	Ring-Snap ●

● Not serviced separately



## Front Lift Cylinder and Plumbing Assembly

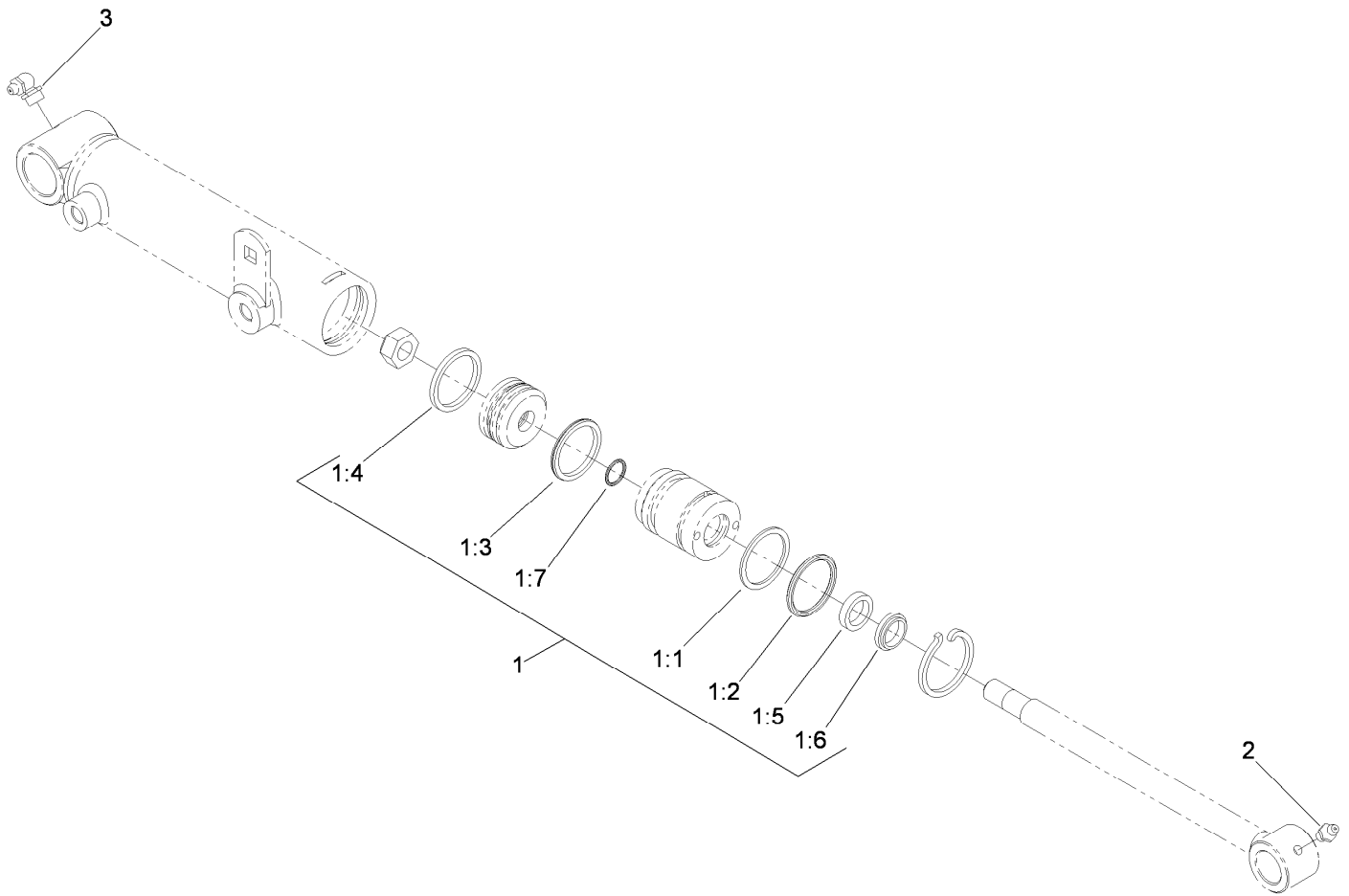
<i>Ref.</i>	<i>Part Number</i>	<i>Qty.</i>	<i>Description</i>	<i>Ref.</i>	<i>Part Number</i>	<i>Qty.</i>	<i>Description</i>
1	119-6988	1	HYD Cylinder ASM	12	3256-6	3	Washer-Flat
2	119-6987	2	HYD Cylinder ASM	13	117-0148	3	Pin-Cylinder
3	340-132	6	Fitting-Elbow, 90 DEG	14	32120-93	6	Ring-Retaining
3:1	237-78	1	O-Ring	15	3-6498	6	Washer-Thrust
3:2	237-21	1	O-Ring	16	104-0046	3	Pin-Slide, Cylinder
4	106-3692	1	Hose-HYD	17	3290-379	6	Tie-Cable
5	106-3693	1	Hose-HYD	18	110-9012	3	Caplug
6	93-6887	2	Hose-HYD	19	110-9013	1	Caplug
8	85-4940	2	Hose-HYD	20	95-9495	1	Cap
9	2412-137	1	Clamp-R, Double	21	104-8300	1	Nut-HF, NI
10	3230-23	1	Bolt-CARR	23	323-9	3	Screw-HH
11	3234-38	3	Screw-HHF	24	3296-59	3	Nut-Lock, NI



## Hydraulic Cylinder Assembly No. 119-6988

<i>Ref.</i>	<i>Part Number</i>	<i>Qty.</i>	<i>Description</i>
1	119-6992	1	Seal Kit
1:1		1	O-Ring ●
1:2		1	Backup ●
1:3		1	Bp Seal ●
1:4		1	Wear Ring-Ht ●
1:5		1	Bs Seal ●
1:6		1	Dust Seal-Dt ●
1:7		1	O-Ring ●
2	302-5	1	Fitting-Grease
3	302-33	1	Fitting-Grease

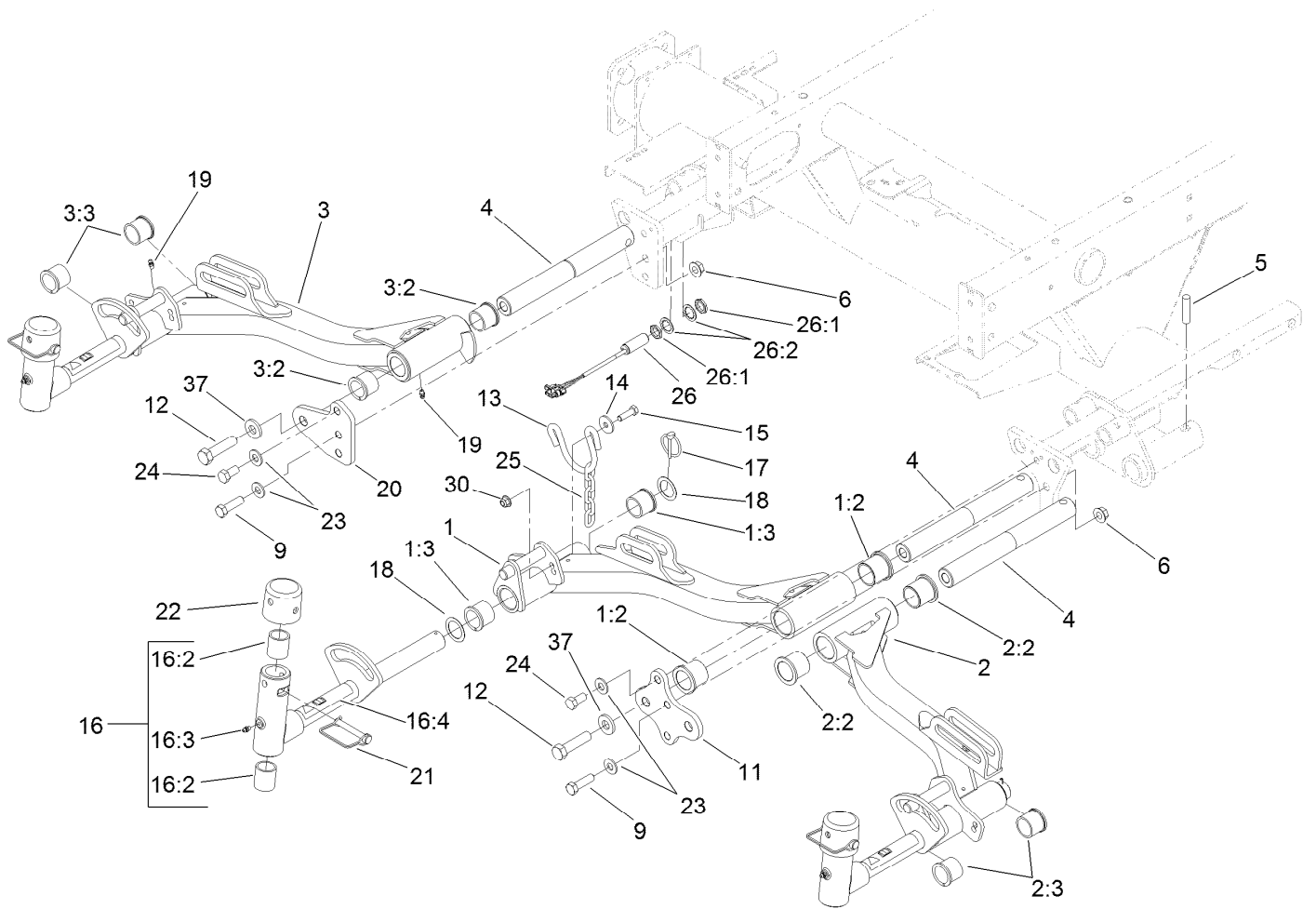
● Not serviced separately



## Hydraulic Cylinder Assembly No. 119-6987

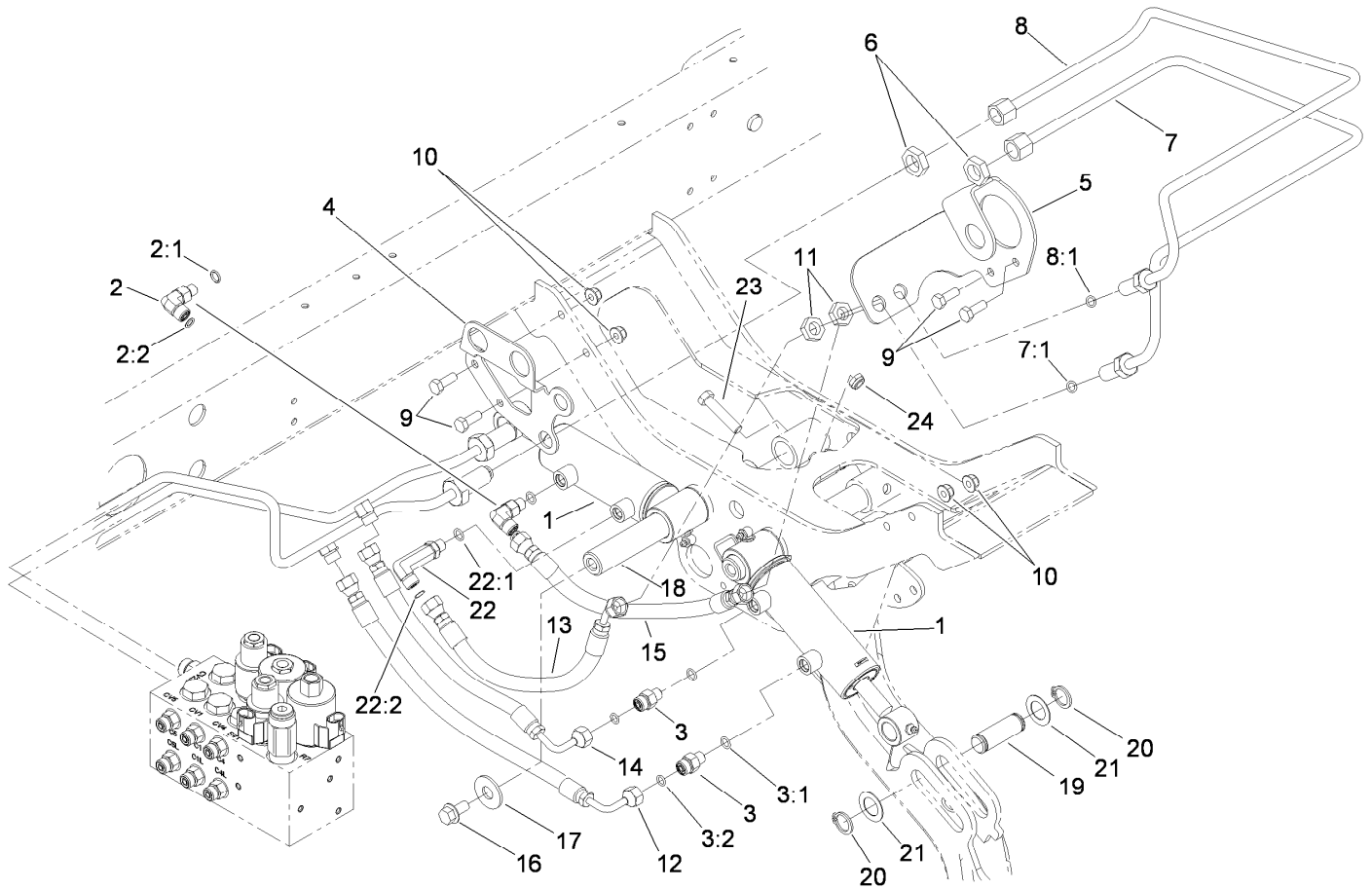
<i>Ref.</i>	<i>Part Number</i>	<i>Qty.</i>	<i>Description</i>
1	119-6992	1	Seal Kit
1:1		1	O-Ring ●
1:2		1	Backup ●
1:3		1	Bp Seal ●
1:4		1	Wear Ring-Ht ●
1:5		1	Bs Seal ●
1:6		1	Dust Seal-Dt ●
1:7		1	O-Ring ●
2	302-5	1	Fitting-Grease
3	302-33	1	Fitting-Grease

● Not serviced separately



## Front Lift Arm Assembly

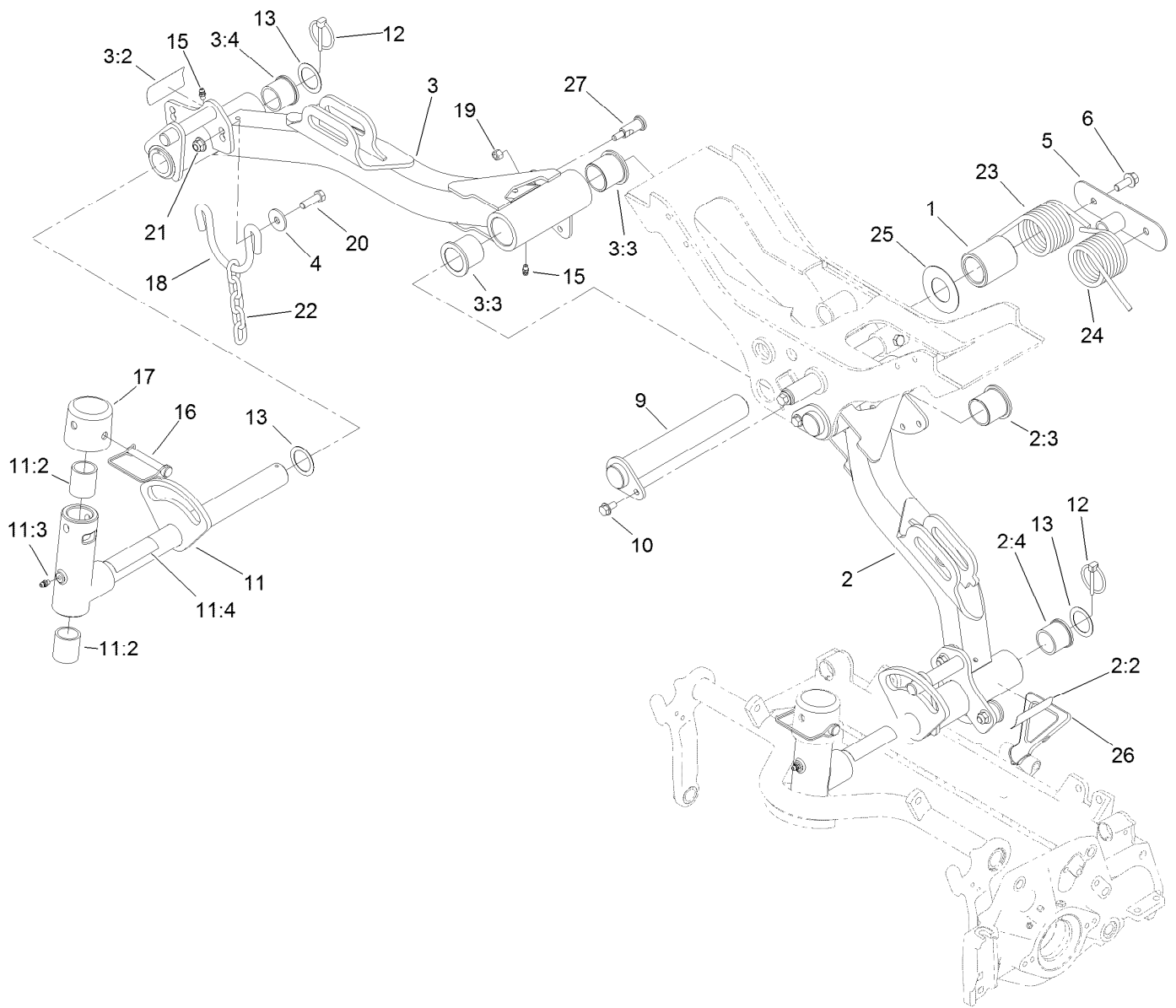
<i>Ref.</i>	<i>Part Number</i>	<i>Qty.</i>	<i>Description</i>	<i>Ref.</i>	<i>Part Number</i>	<i>Qty.</i>	<i>Description</i>
1	110-0991	1	No. 1 Lift Arm ASM	16	107-2052	3	Pivot Yoke ASM
1:2	69-6470	2	Bushing-Caster	16:2	256-254	2	Bushing
1:3	104-0015	2	Bushing-Flange	16:3	302-5	1	Fitting-Grease
2	114-8874	1	No. 4 Lift Arm ASM	16:4	110-9642	1	Decal-Warning
2:2	69-6470	2	Bushing-Caster	17	92-1298	3	Pin-Lynch
2:3	104-0015	2	Bushing-Flange	18	76-2980	6	Washer-Thrust
3	110-0995	1	No. 5 Lift Arm ASM	19	302-5	6	Fitting-Grease
3:2	69-6470	2	Bushing-Caster	20	117-5153-01	1	Plate-Bridge 5
3:3	104-0015	2	Bushing-Flange	21	107-7400	3	Pin-Lynch
4	117-0208	3	Shaft-Pivot, Liftarm	22	107-4027	3	Cap
5	32121-122	3	Pin-Roll	23	87-7270	6	Washer-Thrust
6	99-5107	4	Nut-Lock	24	325-5	2	Screw-HH
9	325-7	4	Screw-HH	25	84-2450	3	Chain-Straight, 4-Link
11	117-5154-01	1	Plate-Bridge 1 And 4	26	115-5300	1	Proximity Switch ASM
12	327-7	3	Screw-HH	26:1	117-3207	2	Nut-Hex
13	110-0922	3	Hoop-Chain	26:2	117-3208	2	Washer-Lock, Internal Tooth
14	63-8410	6	Washer	30	104-8301	6	Nut-HF, NI
15	323-7	6	Screw-HH	37	99-7667	3	Washer-Flat



## Rear Lift Cylinder and Plumbing Assembly

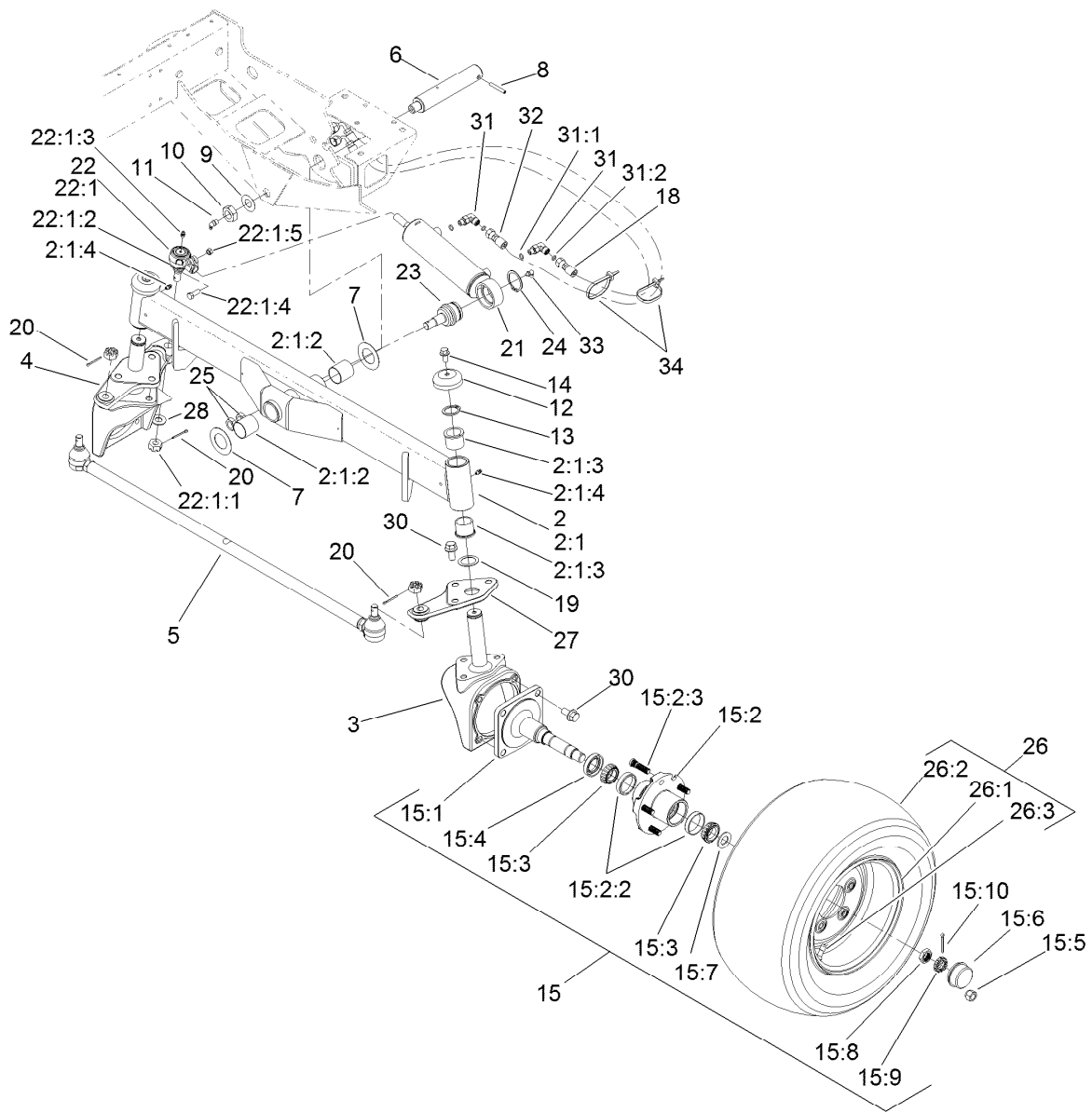
Ref.	Part Number	Qty.	Description
1	119-6988	2	HYD Cylinder ASM
2	340-132	1	Fitting-Elbow, 90 DEG
2:1	237-78	1	O-Ring
2:2	237-21	1	O-Ring
3	340-92	2	Fitting-Straight
3:1	237-78	1	O-Ring
3:2	237-21	1	O-Ring
4	110-0918-01	1	Bracket-Bulkhead, RH
5	110-0917-01	1	Bracket-Bulkhead, LH
6	340-70	2	Nut-Lock
7	110-9017	1	Tube-HYD
7:1	237-21	1	O-Ring
8	110-9018	1	Tube-HYD
8:1	237-21	1	O-Ring
9	322-4	4	Screw-HH
10	104-8300	4	Nut-HF, NI

Ref.	Part Number	Qty.	Description
11	340-78	2	Nut-Lock
12	110-0930	1	Hose-HYD
13	110-8966	1	Hose-HYD
14	110-0929	1	Hose-HYD
15	110-0931	1	Hose-HYD
16	3234-38	2	Screw-HHF
17	3256-6	2	Washer-Flat
18	117-0148	2	Pin-Cylinder
19	104-0046	2	Pin-Slide, Cylinder
20	32120-93	4	Ring-Retaining
21	3-6498	4	Washer-Thrust
22	100-7695	1	Fitting-Elbow 90
22:1	237-78	1	O-Ring
22:2	237-21	1	O-Ring
23	323-9	2	Screw-HH
24	3296-59	2	Nut-Lock, NI



## Rear Lift Arm Assembly

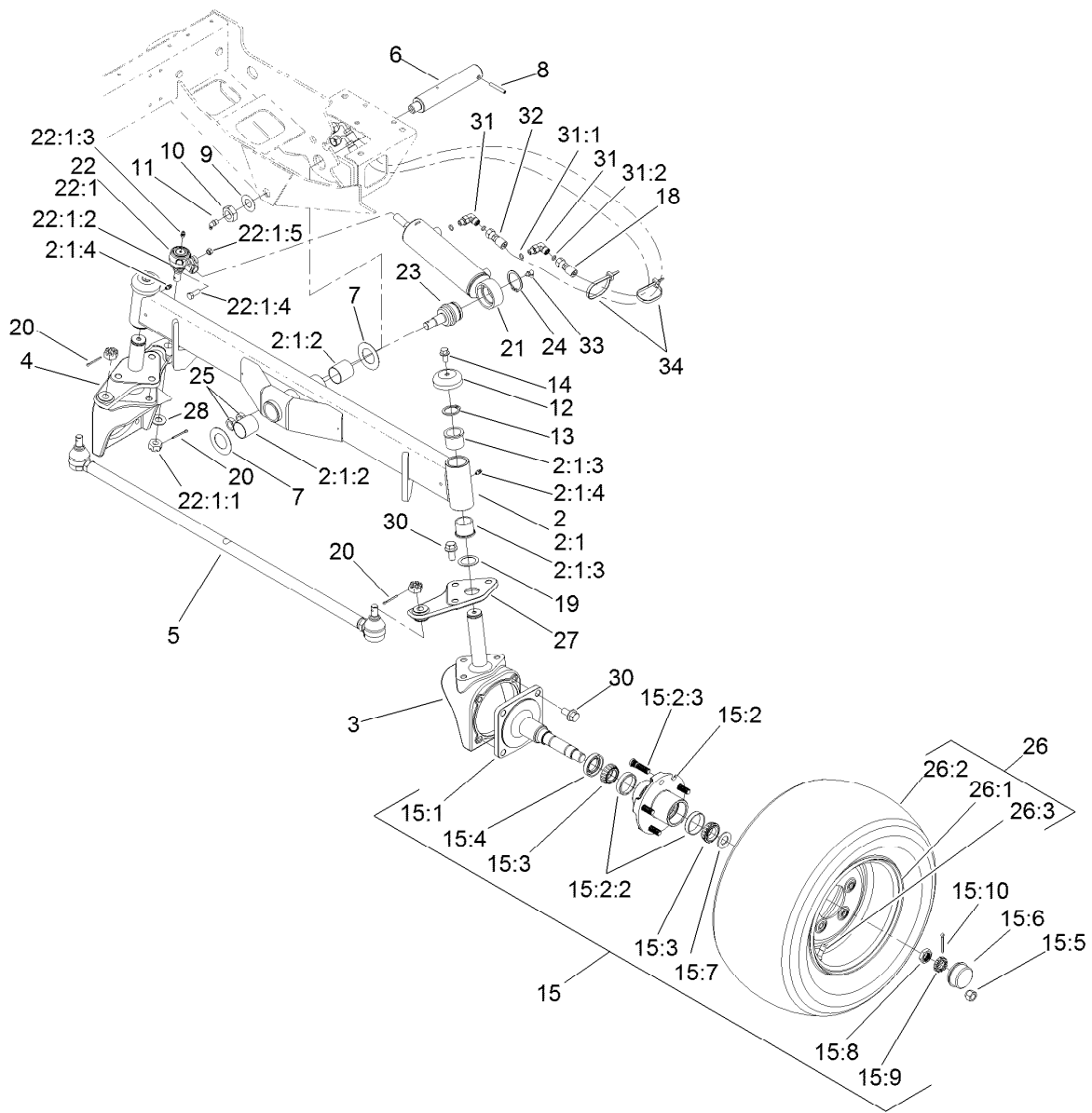
Ref.	Part Number	Qty.	Description	Ref.	Part Number	Qty.	Description
1	110-5339	2	Spacer	11:4	110-9642	1	Decal-Warning
2	125-2912	1	Lift Arm 2 ASM	12	92-1298	2	Pin-Lynch
2:2	93-6696	1	Decal-Warning	13	76-2980	4	Washer-Thrust
2:3	69-6470	2	Bushing-Caster	15	302-5	4	Fitting-Grease
2:4	104-0015	2	Bushing-Flange	16	107-7400	2	Pin-Lynch
3	125-2913	1	Lift Arm 3 ASM	17	107-4027	2	Cap
3:2	93-6696	1	Decal-Warning	18	110-0922	2	Hoop-Chain
3:3	69-6470	2	Bushing-Caster	19	3296-29	6	Nut-Lock, NI
3:4	104-0015	2	Bushing-Flange	20	323-7	4	Screw-HH
4	63-8410	4	Washer	21	104-8301	4	Nut-HF, NI
5	110-8874-03	1	Catch	22	84-2450	2	Chain-Straight, 4-Link
6	3234-11	2	Screw-HHF	23	99-5608-03	1	Spring-Torsion, RH
9	107-2062	2	Pin	24	99-5609-03	1	Spring-Torsion, LH
10	32144-14	2	Screw-HWHTF	25	110-5345	2	Washer
11	107-2052	2	Pivot Yoke ASM	26	119-8010-03	1	Kickstand
11:2	256-254	2	Bushing	27	120-6283	6	Stud-Shouldered
11:3	302-5	1	Fitting-Grease				



## Rear Axle Assembly

Ref.	Part Number	Qty.	Description	Ref.	Part Number	Qty.	Description
2	107-4546-03	1	Axle ASM	15:1	117-8958	1	Spindle
2:1		1	Axle ●	15:2	117-8963	1	Hub ASM
2:1:2	99-6964	2	Bushing-Axle	15:2:2	254-72	2	Bearing-Cup, Tapered
2:1:3	104-0015	4	Bushing-Flange	15:2:3	114-3918	5	Stud-Wheel
2:1:4	302-5	2	Fitting-Grease	15:3	254-94	2	Bearing-Cone, Tapered
3	107-4517-03	2	Housing-Motor	15:4	112-1690	1	Seal-Oil
4	110-5295-03	1	Link-Drag, RH	15:5	242-50	5	Nut-Lug
5	110-5334-03	1	Tie Rod ASM	15:6	241-119	1	Cap-Dust
6	98-8173	1	Pin-Pivot, Axle	15:7	117-8259	1	Washer-Spindle
7	99-8432	2	Washer-Thrust	15:8	117-8260	1	Nut
8	32121-32	1	Pin-Roll	15:9	93-0307	1	Nut-Lock, Retainer
9	71-4540	1	Washer-Thrust	15:10	3272-18	1	Pin-Cotter
10	32146-20	1	Nut-Hex	18	110-0928	1	Hose-HYD
11	302-33	1	Fitting-Grease	19	76-2980	2	Washer-Thrust
12	69-8890	2	Cap-Spindle	20	3272-12	3	Pin-Cotter
13	32151-77	2	Ring-Retaining, External	21	110-9035	1	HYD Cylinder ASM
14	3234-1	2	Screw-HHF	22	106-6895-03	1	Ball Joint ASM
15	117-8961	2	Hub And Spindle ASM	22:1		1	Joint-Ball ●

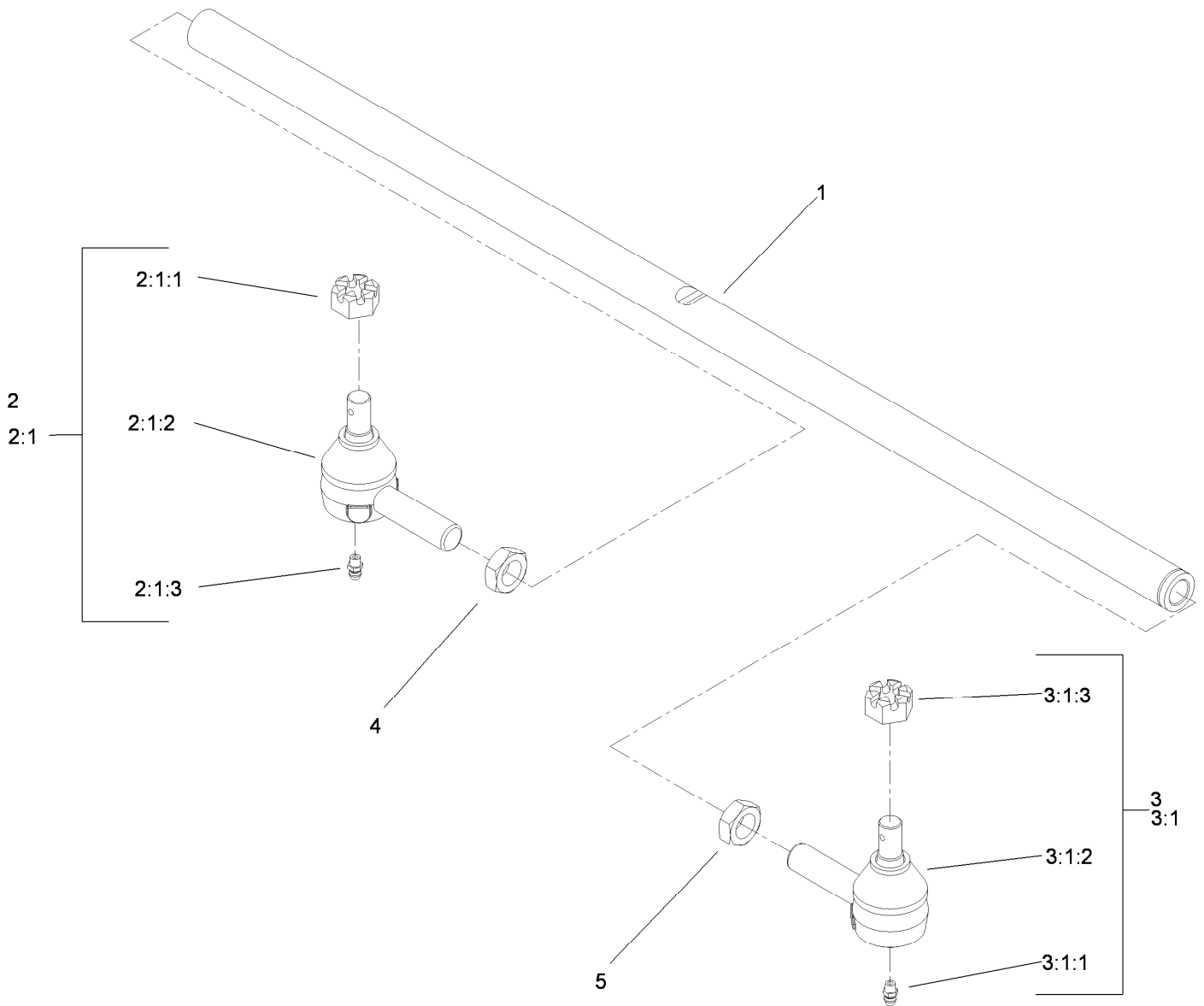
● Not serviced separately



## Rear Axle Assembly (continued)

Ref.	Part Number	Qty.	Description	Ref.	Part Number	Qty.	Description
22:1:1	32136-13	1	Nut-SHH	26:3	232-27	1	Stem-Valve
22:1:2	106-6896	1	Seal	27	110-5297-03	1	Link-Drag, LH
22:1:3	302-5	1	Fitting-Grease	28	69-8980	1	Washer
22:1:4	3210-7	1	Screw-HH	30	3234-6	14	Screw-HHF
22:1:5	32152-5	1	Nut-Hex	31	340-132	2	Fitting-Elbow, 90 DEG
23	106-6774	1	Joint-Ball	31:1	237-78	1	O-Ring
24	32151-104	1	Ring-Retaining, External	31:2	237-21	1	O-Ring
25	3220-6	2	Nut-Jam	32	110-0973	1	Hose-HYD
26	117-0279	2	Rim And Tire ASM	33	302-40	1	Fitting-Grease, 90 DEG
26:1	117-0280	1	Rim	34	3290-378	2	Tie-Cable
26:2	115-1572	1	Tire				

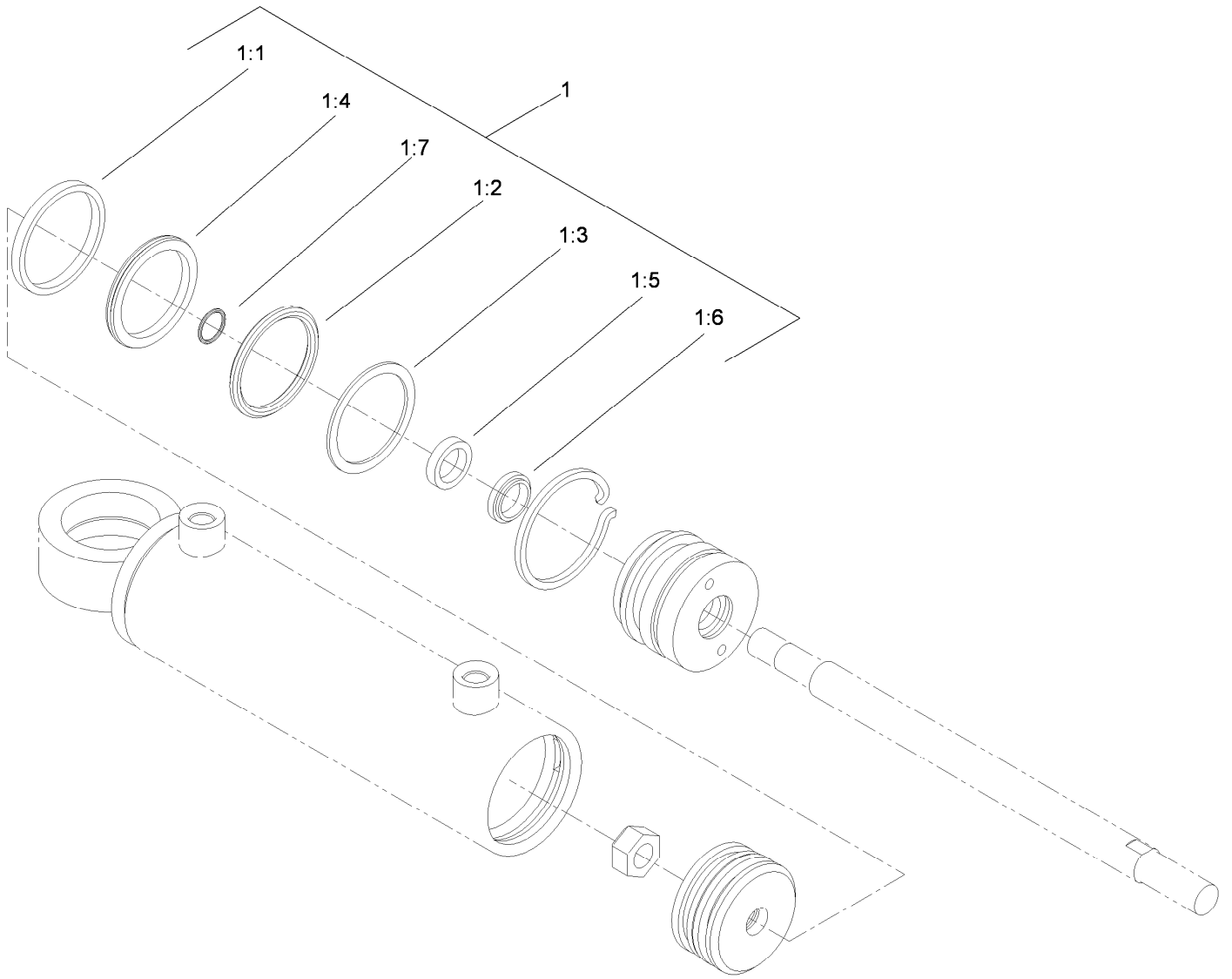
● Not serviced separately



## Tie Rod Assembly No. 110-5334-03

Ref.	Part Number	Qty.	Description
1	110-5335	1	Rod-Tie
2	71-4740-03	1	RH Tie Rod End ASM
2:1		1	End-Rod, Tie (RH) ●
2:1:1	105-7941	1	Nut-Hex, Slotted
2:1:2	105-7835	1	Seal
2:1:3	302-5	1	Fitting-Grease
3	2411-46-03	1	LH Tie Rod ASM
3:1		1	End-Rod, Tie (LH) ●
3:1:1	302-5	1	Fitting-Grease
3:1:2	105-7835	1	Seal
3:1:3	105-7941	1	Nut-Hex, Slotted
4	84-5300	1	Nut-Jam
5	110-5337	1	Nut-Jam

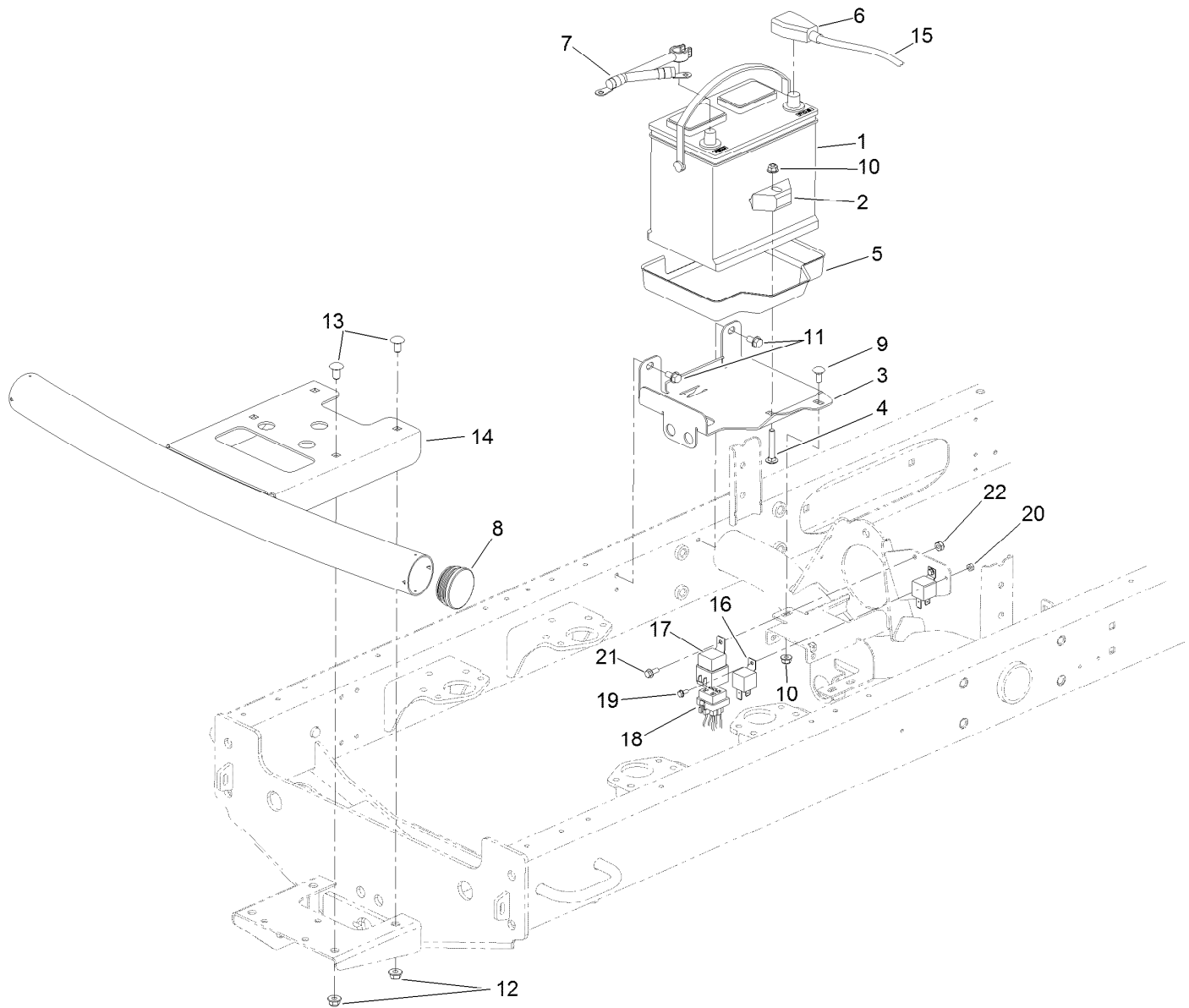
● Not serviced separately



## Hydraulic Cylinder Assembly No. 110-9035

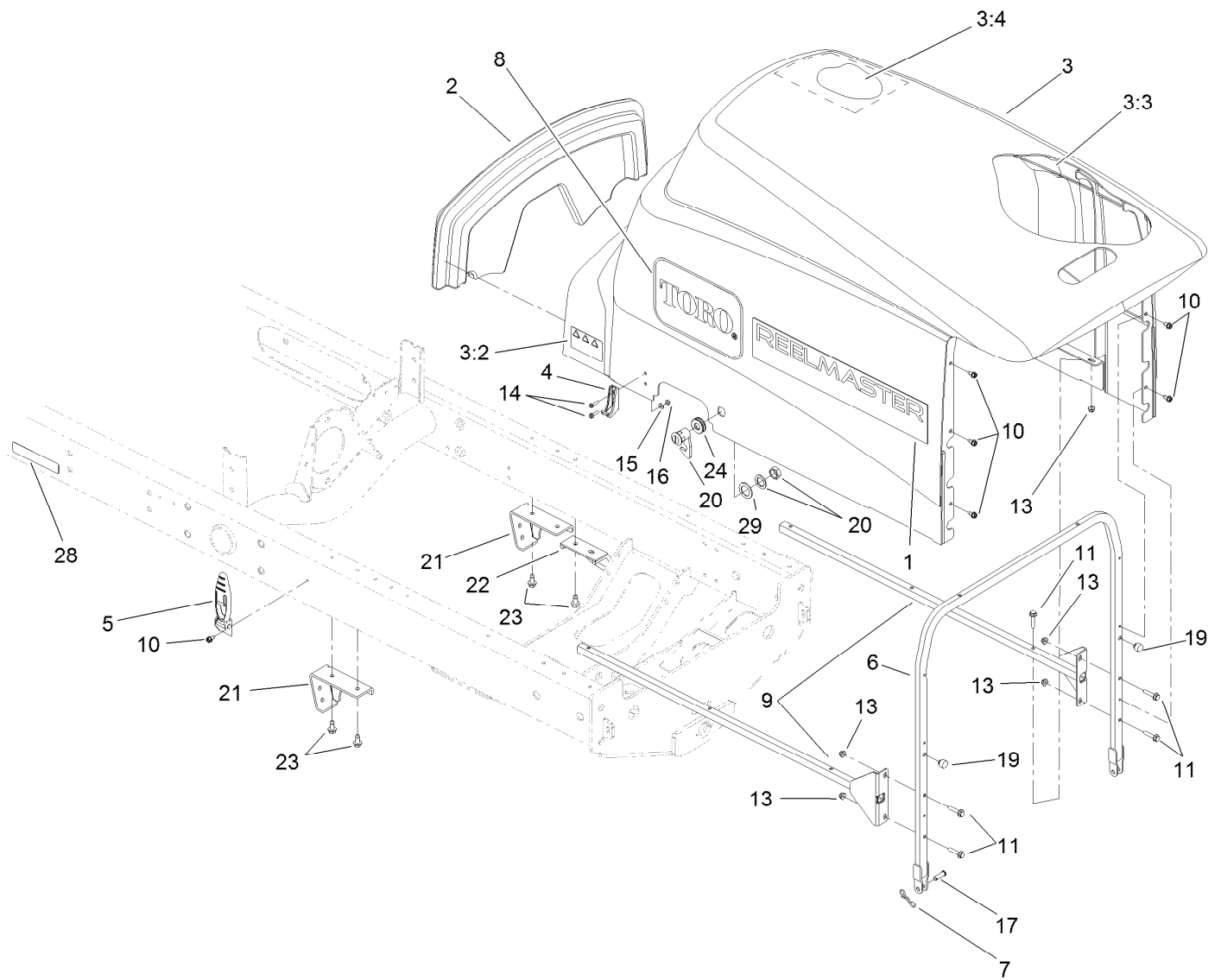
<i>Ref.</i>	<i>Part Number</i>	<i>Qty.</i>	<i>Description</i>
1	114-8875	1	Seal Kit
1:1		1	Wear Ring ●
1:2		1	O-Ring ●
1:3		1	Backup ●
1:4		1	Bp Seal ●
1:5		1	Bs Seal ●
1:6		1	Dust Seal ●
1:7		1	O-Ring ●

● Not serviced separately



## Battery and Bumper Assembly

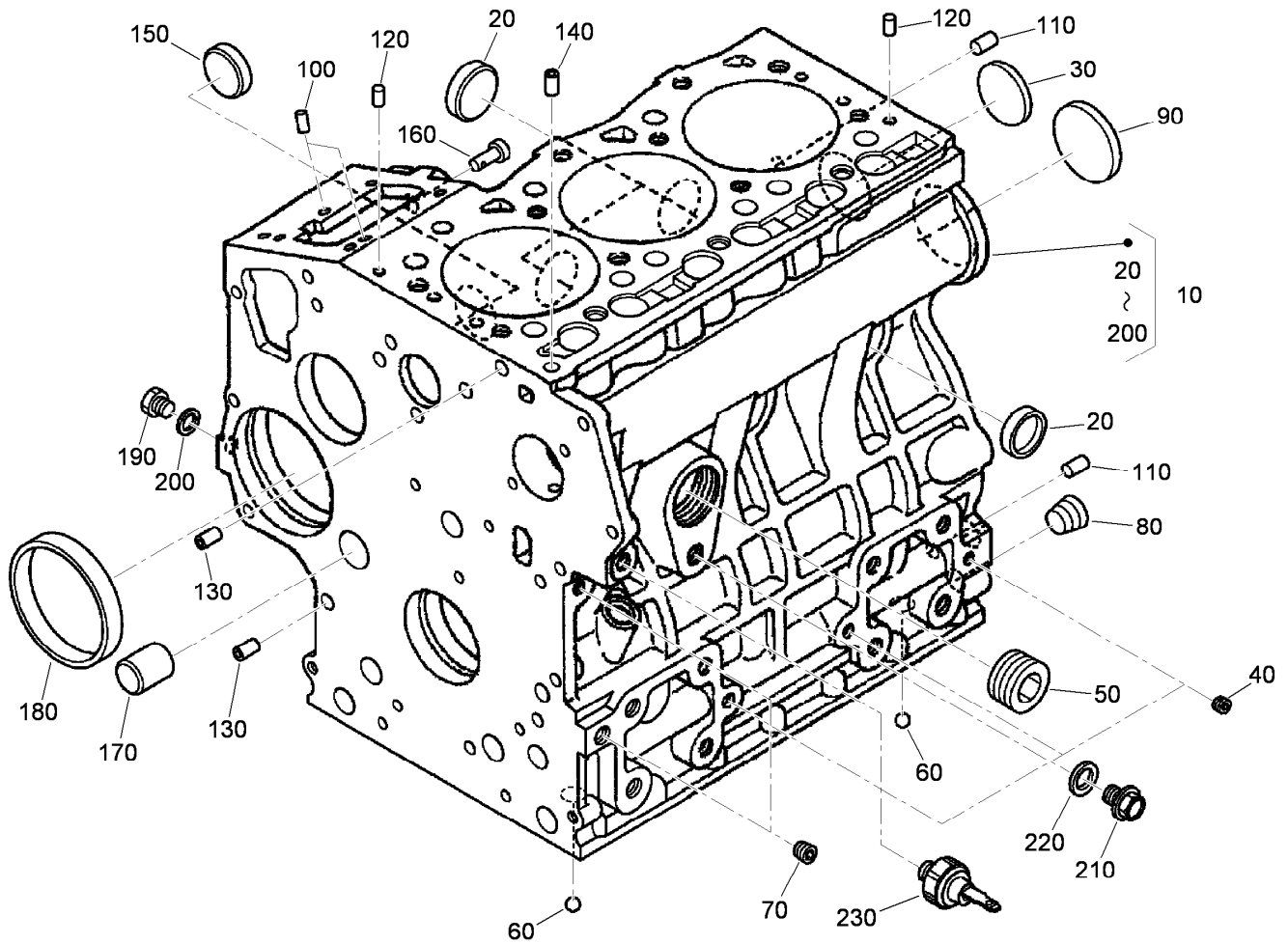
<i>Ref.</i>	<i>Part Number</i>	<i>Qty.</i>	<i>Description</i>	<i>Ref.</i>	<i>Part Number</i>	<i>Qty.</i>	<i>Description</i>
1	104-9979	1	Battery	12	104-8301	4	Nut-HF, NI
2	66-2490	1	Retainer-Battery	13	3231-21	4	Screw-CARR
3	110-0907-01	1	Bracket-Battery	14	110-8951-03	1	Bumper
4	3230-6	1	Bolt-CARR	15	108-9455	1	Harness-Wire, Fusible Link
5	99-3513	1	Tray-Battery	16	99-7435	2	Relay
6	108-1802	1	Cable-Battery, Positive	17	99-7430	1	Relay-Mini
7	110-8813	1	Cable-Battery, Negative	18	115-8079	1	Harness-Wire, Main
8	2410-42	2	Cap-End	19	3290-321	2	Screw-HWH
9	3230-1	1	Bolt-CARR	20	3296-2	2	Nut-Lock, NI
10	104-8300	2	Nut-HF, NI	21	3234-33	1	Screw-HHF
11	32104-32	2	Screw-HWH	22	3296-42	1	Nut-Lock, NI



## Hood and Body Panel Assembly

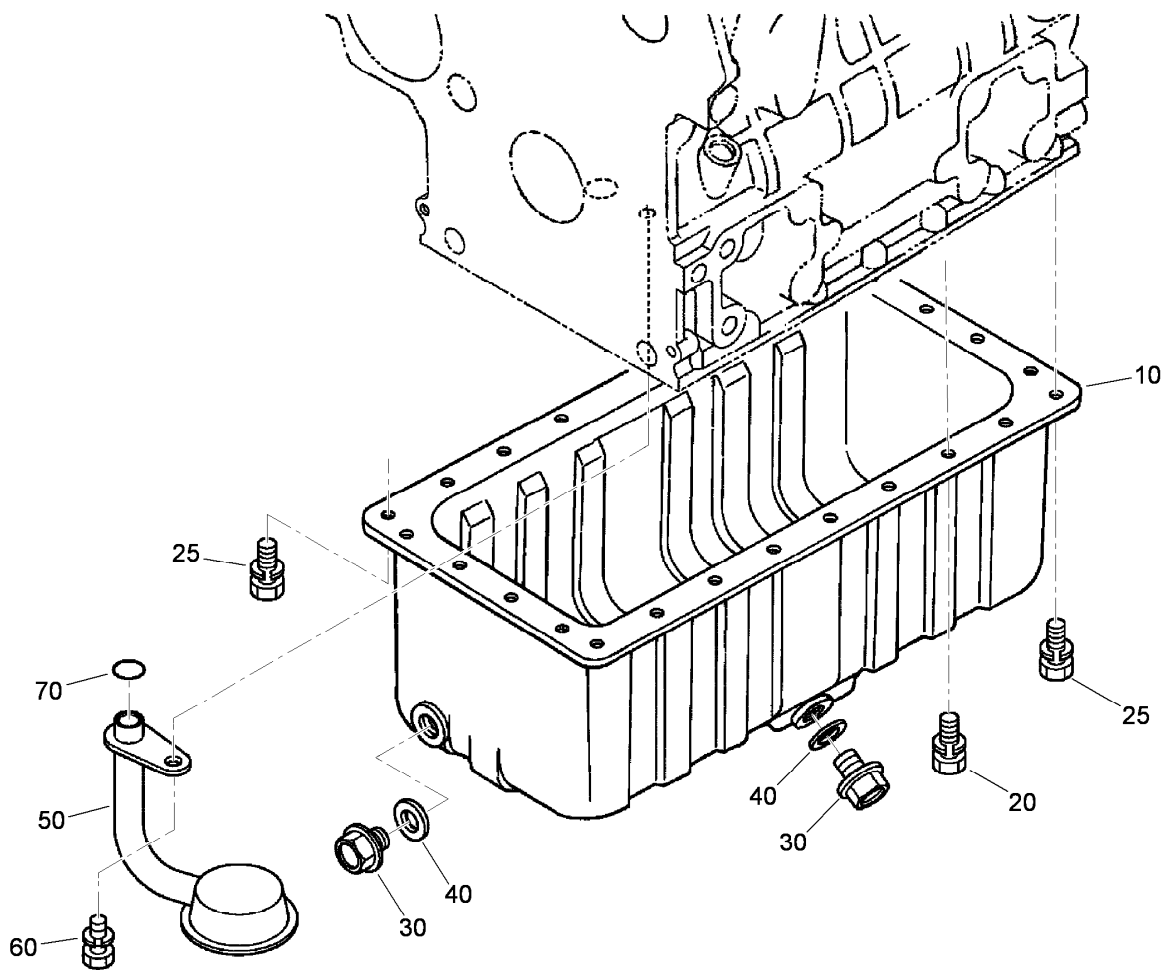
Ref.	Part Number	Qty.	Description
1	110-0962	2	Decal
2	108-7587	1	Saddle-Hood
3	110-8994	1	Hood ASM
3:2	106-6754	1	Decal-Danger
3:3	110-5252	1	Foam-Sealed
3:4	110-9002	1	Foil Tape Kit
4	103-2897	2	Latch-Catch
5	103-2898	2	Latch-Rubber
6	108-1762-03	1	Tube ASM
7	105-7512	2	Pin-Tie, Bow
8	66-6140	2	Decal
9	108-1790-03	2	Tube
10	32104-17	8	Screw-HWH
11	3234-21	10	Screw-HHF

Ref.	Part Number	Qty.	Description
13	104-7201	10	Nut-HF, NI
14	32105-13	4	Screw-HWH
15	3256-14	4	Washer-Flat
16	3296-12	4	Nut-Lock, NI
17	283-61	2	Pin-Yoke
19	107-8042	2	Bumper-Rubber
20	98-5398	1	Latch
21	110-0979-03	2	Bracket-Deflector
22	110-8999	1	Guard-Muffler
23	32104-32	6	Screw-HWH
24	104-1453	1	Grommet
28	93-6689	2	Decal-No Riders
29	99-4958	1	Spacer



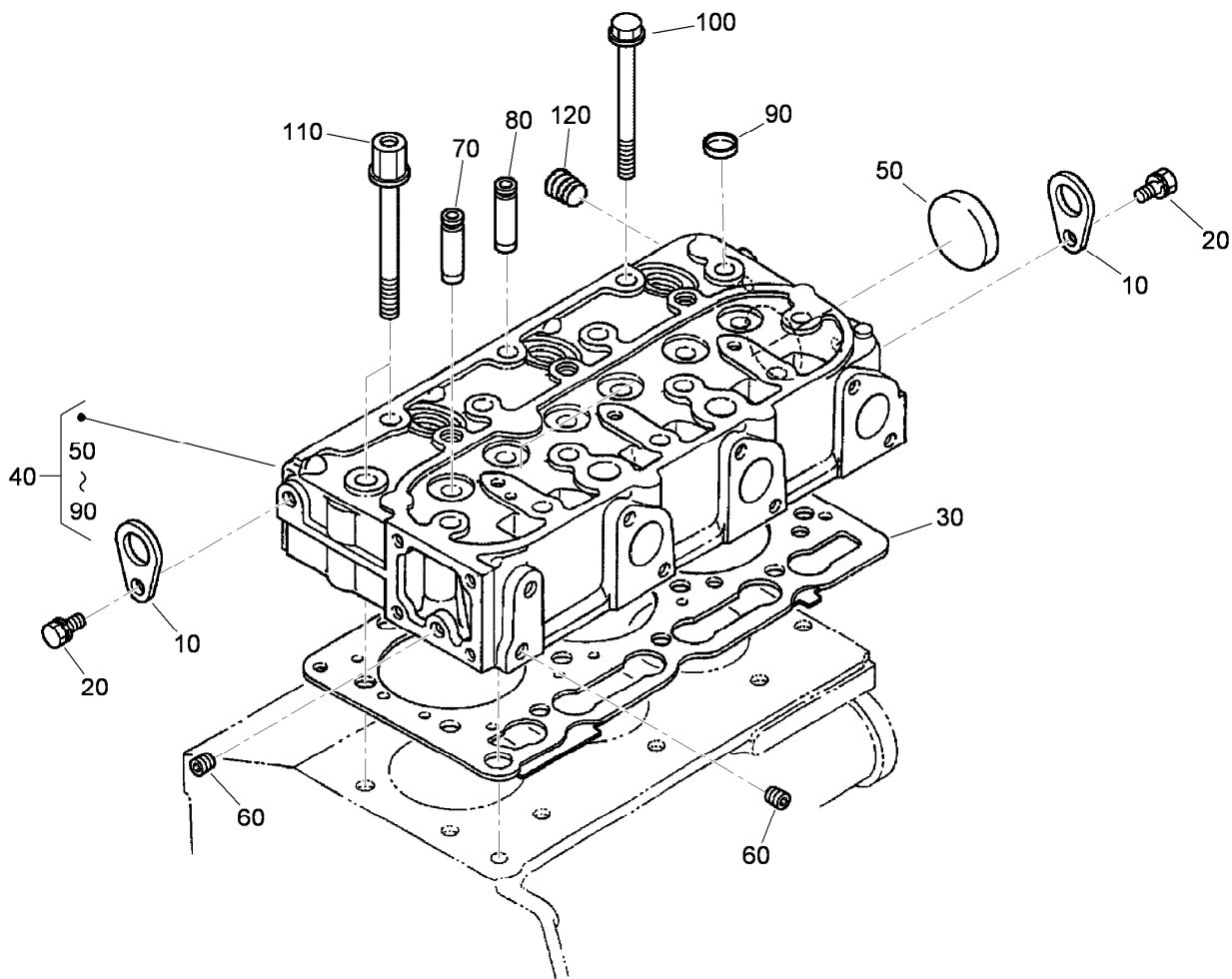
## Crankcase Assembly

<i>Ref.</i>	<i>Part Number</i>	<i>Qty.</i>	<i>Description</i>
10	117-8800	1	Crankcase ASM
20	98-9398	4	Cap-Sealing
30	98-7539	1	Cap-Sealing
40	98-7540	3	Plug
50	105-3779	1	Plug
60	98-9380	3	Ball
70	98-7487	2	Plug
80	98-9379	3	Plug-Expansion
90	98-9668	1	Plug-Expansion
100	98-9375	2	Pin-Straight
110	98-9377	2	Pin-Straight
120	98-9376	2	Pin-Straight
130	98-9387	2	Pin-Pipe
140	98-9539	1	Pin-Pipe
150	98-9599	1	Plug
160	98-9630	1	Pin-Spring, Start
170	98-9675	1	Plug
180	98-9656	1	Bushing-Governor, Gear
190	98-7507	1	Plug
200	98-7428	1	Gasket
210	99-3447	1	Plug
220	106-7056	1	Gasket
230	98-9416	1	Switch-Oil



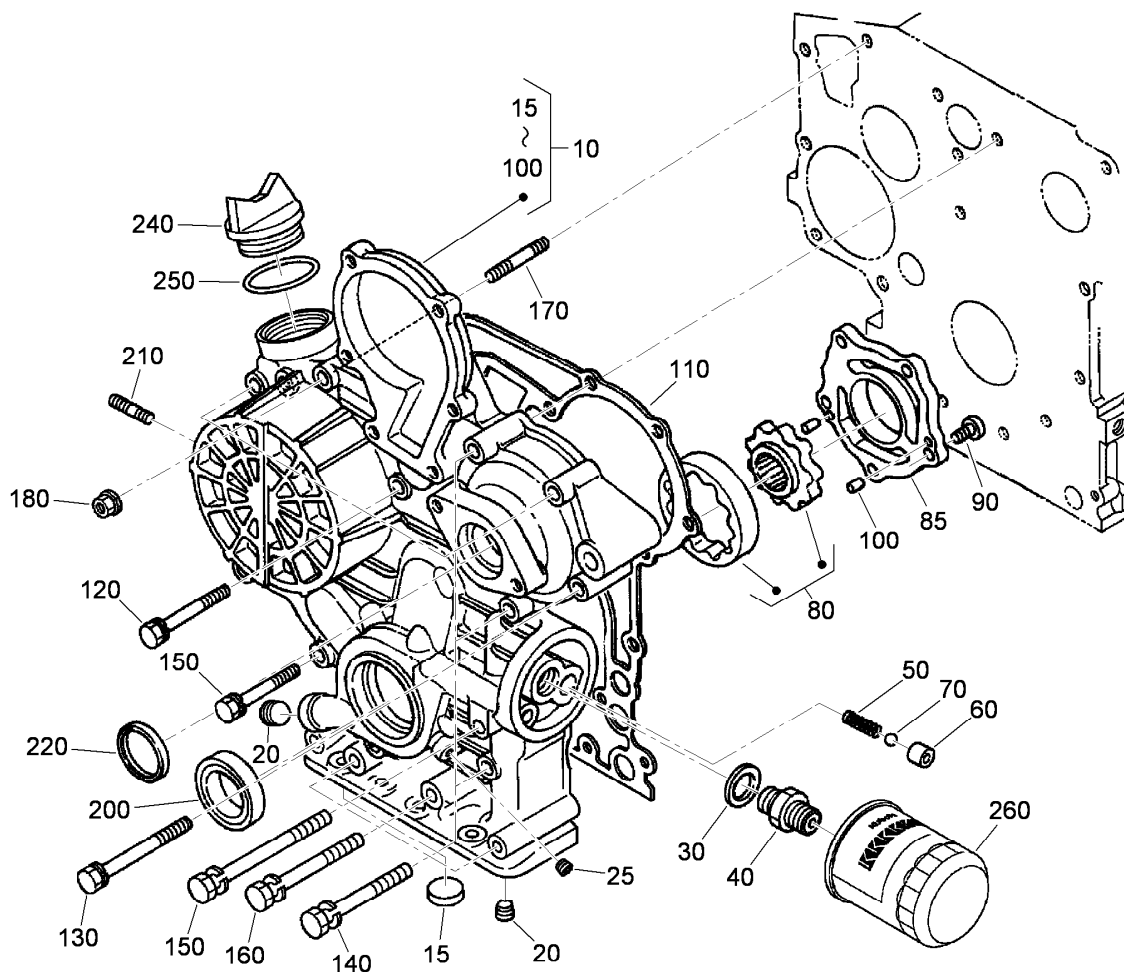
## Oil Pan Assembly

<i>Ref.</i>	<i>Part Number</i>	<i>Qty.</i>	<i>Description</i>
10	108-2852	1	Oil Pan ASM
20	98-9351	24	Bolt
25	98-9351	2	Bolt
30	114-8151	2	Plug-Drain
40	98-7524	2	Gasket
50	117-8801	1	Filter-Oil
60	98-7526	1	Bolt
70	105-3776	1	O-Ring



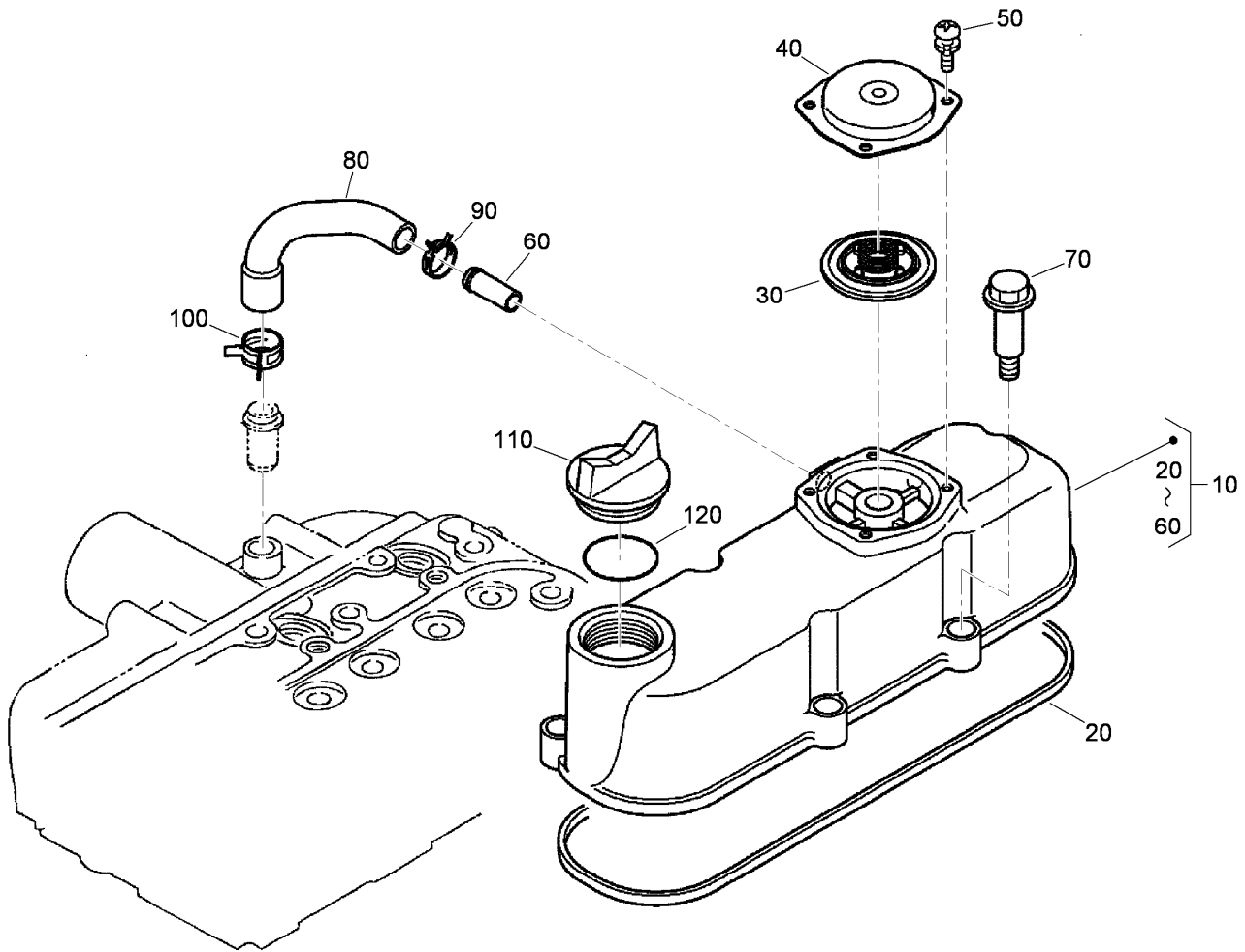
## Cylinder Head Assembly

<i>Ref.</i>	<i>Part Number</i>	<i>Qty.</i>	<i>Description</i>
10	98-7531	2	Hook-Engine
20	100-9195	2	Bolt
30	108-6573	1	Gasket-Head, Cylinder
40	117-8802	1	Cylinder Head ASM
50	105-3705	1	Cap-Sealing
60	98-7540	2	Plug
70	107-9066	3	Guide-Valve, Inlet
80	107-9067	3	Guide-Valve, Exhaust
90	98-9389	2	Cap-Sealing
100	98-9479	1	Bolt-Head, Cylinder
110	98-9647	2	Bolt-Head, Cylinder
120	98-9444	1	Plug



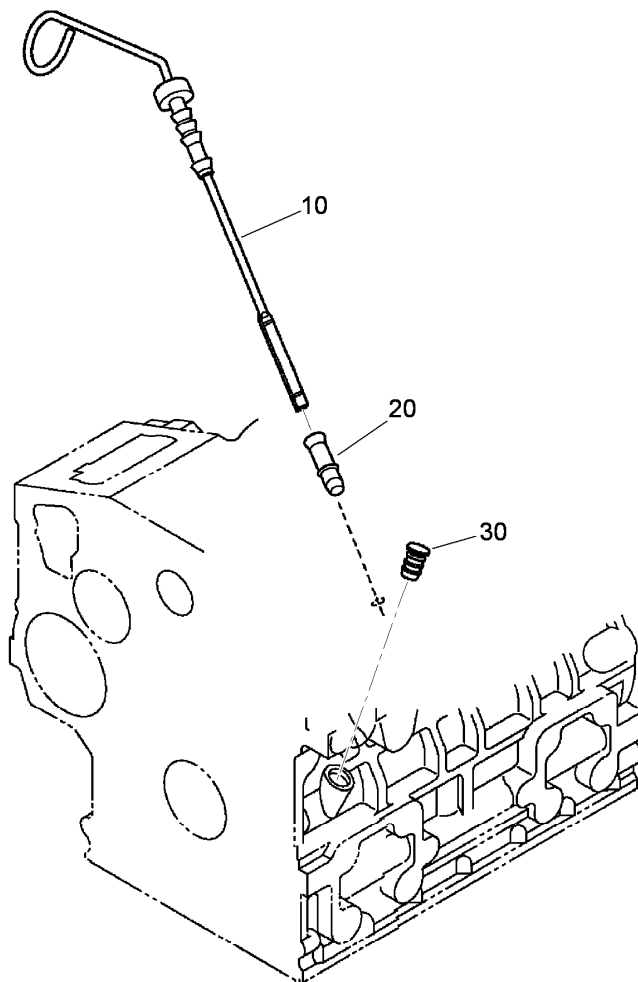
## Gear Case Assembly

<i>Ref.</i>	<i>Part Number</i>	<i>Qty.</i>	<i>Description</i>	<i>Ref.</i>	<i>Part Number</i>	<i>Qty.</i>	<i>Description</i>
10	117-8803	1	Gear Case ASM	120	107-9073	3	Bolt
15	117-8804	1	Cap-Sealing	130	105-3797	4	Bolt
20	98-9598	2	Plug	140	98-9356	2	Bolt
25	98-7487	1	Plug	150	100-1766	1	Bolt
30	98-7562	1	Washer-Plain	160	107-9090	4	Bolt
40	98-9388	1	Joint-Pipe	170	105-3709	1	Stud
50	98-9544	1	Spring	180	100-2203	1	Nut-Flange
60	98-9543	1	Seat-Valve	200	98-9482	1	Seal-Oil
70	98-9380	1	Ball	210	105-3710	2	Stud
80	98-9540	1	Oil Pump Rotor ASM	220	98-9641	1	Cover-Case, Gear
85	107-9069	1	Cover-Pump, Oil	240	107-9075	1	Plug-Filler, Oil
90	107-9071	5	Screw	250	99-3446	1	O-Ring
100	107-9072	2	Pin-Straight	260	108-3841	1	Filter-Oil
110	117-8835	1	Gasket-Case, Gear				



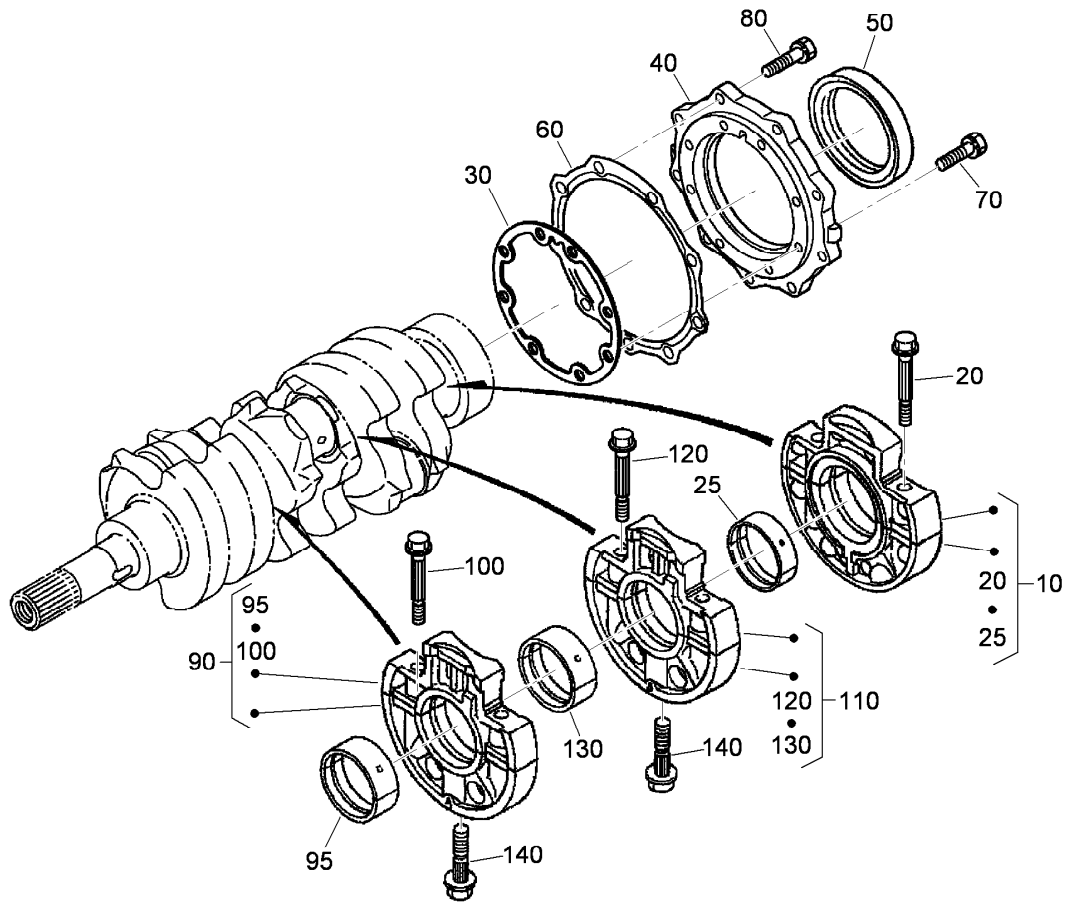
## Head Cover Assembly

<i>Ref.</i>	<i>Part Number</i>	<i>Qty.</i>	<i>Description</i>
10	117-8805	1	Cylinder Head Cover ASM
20	117-8806	1	Gasket-Cover, Head
30	110-3715	1	Valve-Breather
40	110-3714	1	Cover-Breather
50	98-9364	4	Screw (With Washer)
60	98-7766	1	Pipe-Return, Water
70	108-7063	5	Bolt
80	108-2858	1	Tube-Breather
90	108-2859	1	Clamp-Hose
100	108-2860	1	Clamp-Hose
110	107-9075	1	Plug-Filler, Oil
120	99-3446	1	O-Ring



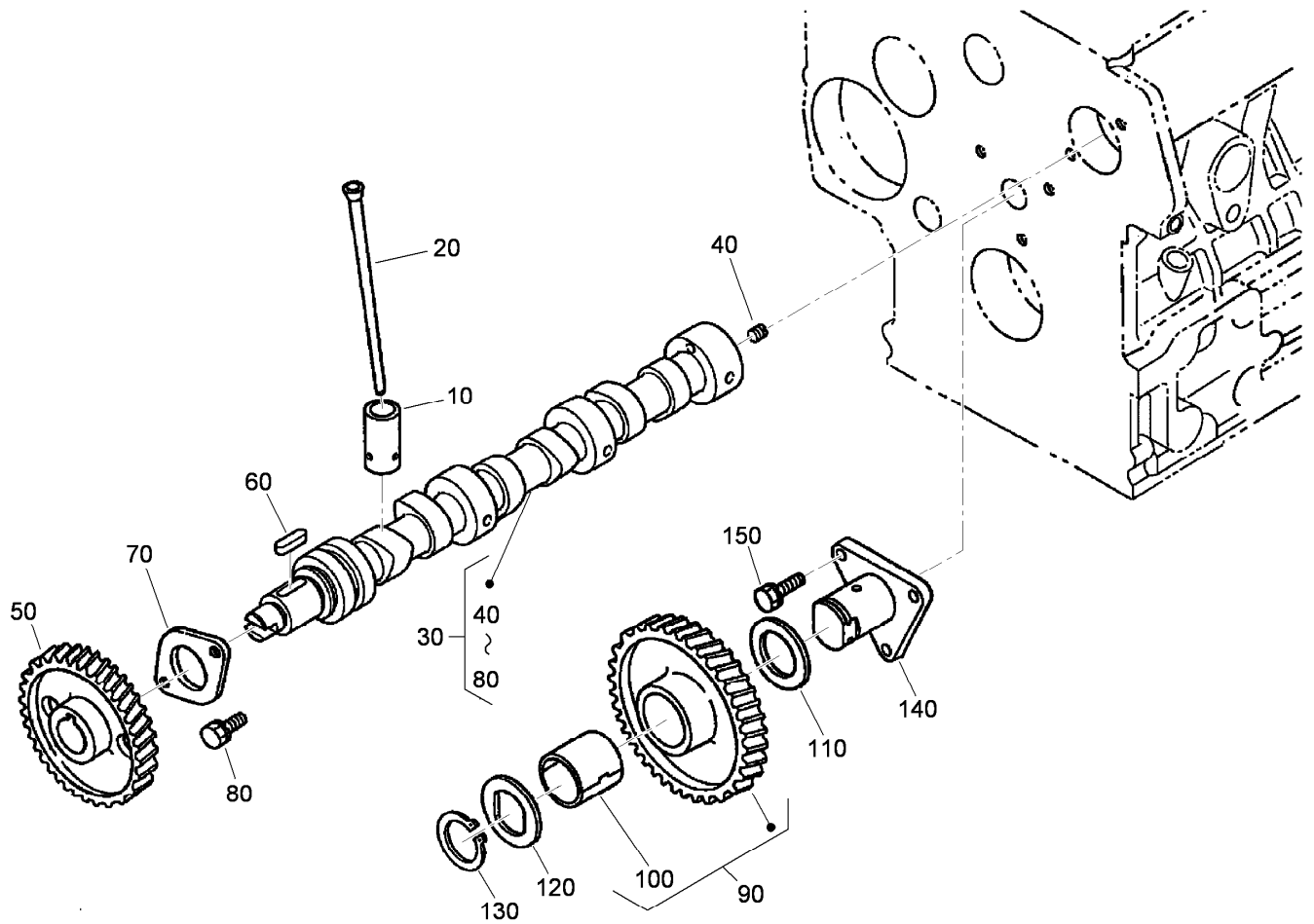
## Dipstick and Guide Assembly

<i>Ref.</i>	<i>Part Number</i>	<i>Qty.</i>	<i>Description</i>
10	117-8807	1	Gauge-Oil
20	117-8808	1	Guide-Gauge, Oil
30	110-3720	1	Plug-Gauge, Oil



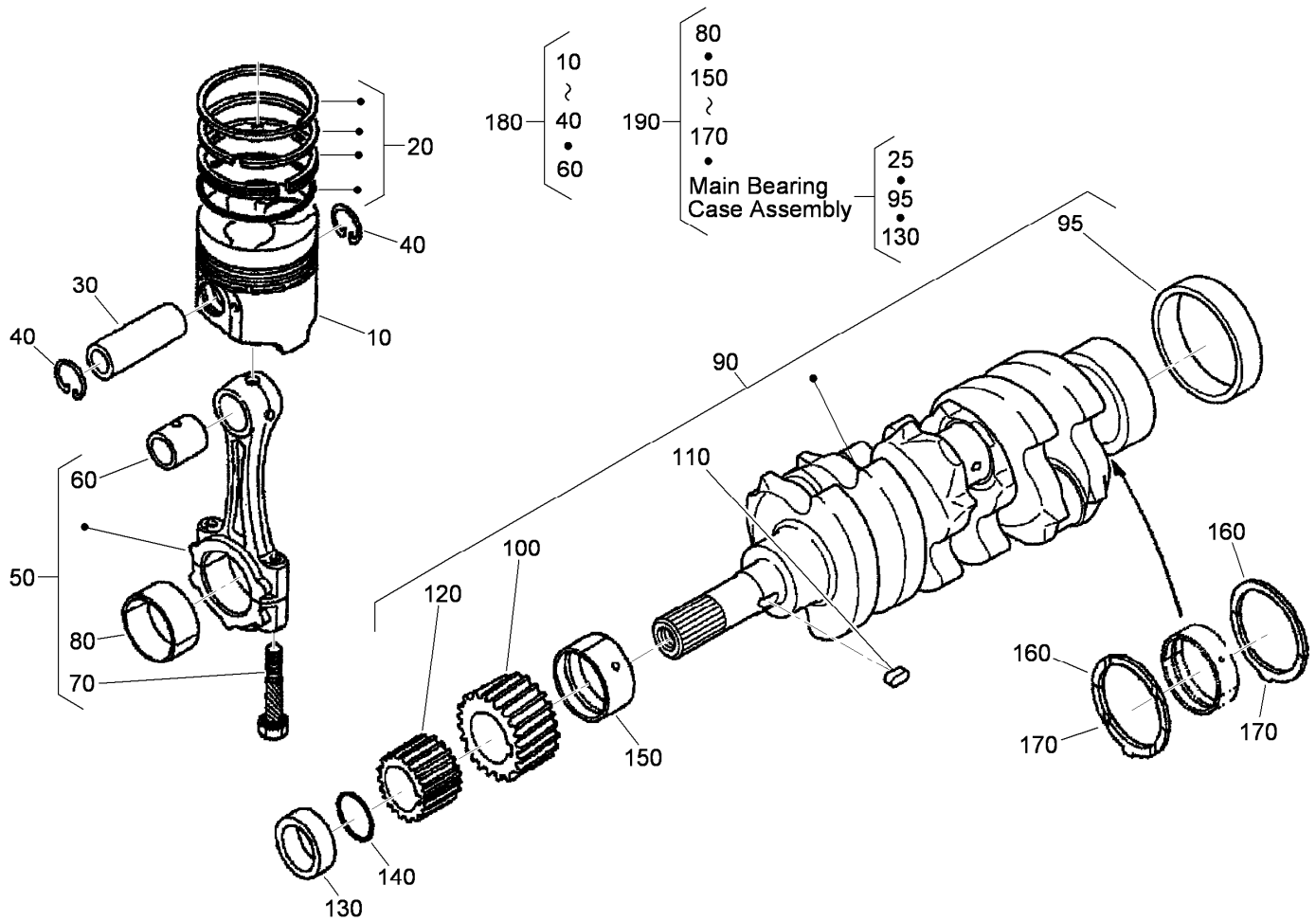
## Main Bearing Case Assembly

<i>Ref.</i>	<i>Part Number</i>	<i>Qty.</i>	<i>Description</i>
10	112-7026	1	Wheel Bearing Case ASM
20	98-9484	2	Bolt-Case, Bearing
25	112-7045	1	Metal-Crankshaft
25	112-7039	1	Metal-Crankshaft (0.2Mm)
25	112-7040	1	Metal-Crankshaft (-0.4Mm)
30	98-9634	1	Gasket-Case, Bearing
40	112-7046	1	Cover-Case, Bearing
50	112-0180	1	Seal-Oil
60	112-7037	1	Gasket-Cover, Case
70	98-9352	8	Bolt
80	98-7568	9	Bolt
90	117-8809	1	Main Bearing Case ASM
95	117-8810	1	Metal-Crankshaft
95	117-8811	1	Metal-Crankshaft
95	117-8812	1	Metal-Crankshaft
100	98-9484	2	Bolt-Case, Bearing
110	117-8813	1	Main Bearing Case ASM
120	98-9484	2	Bolt-Case, Bearing
130	117-8810	1	Metal-Crankshaft
130	117-8811	1	Metal-Crankshaft
130	117-8812	1	Metal-Crankshaft
140	98-9485	2	Bolt-Case, Bearing



## Camshaft and Idle Gear Shaft Assembly

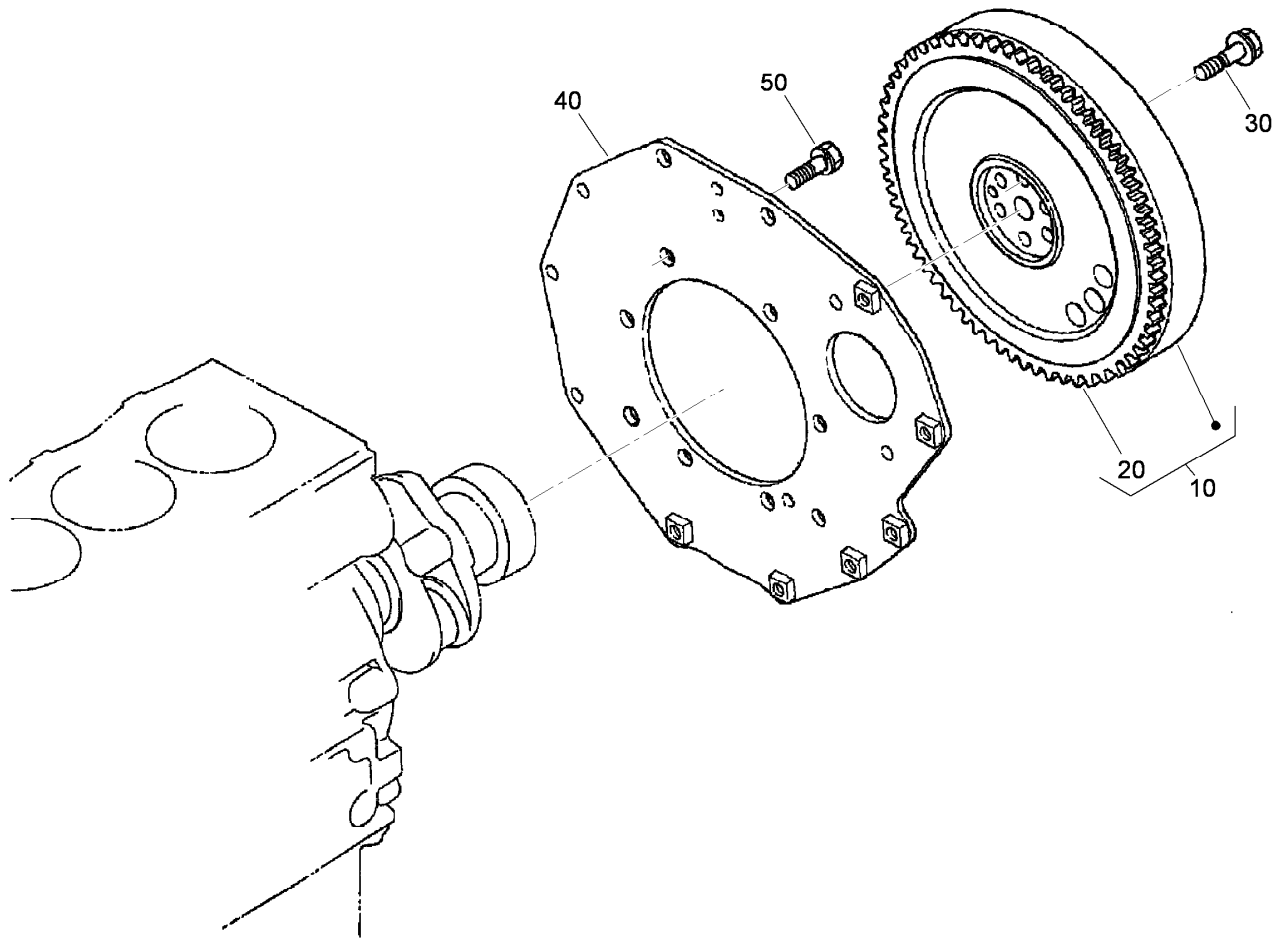
<i>Ref.</i>	<i>Part Number</i>	<i>Qty.</i>	<i>Description</i>
10	112-0185	6	Tappet
20	117-8814	6	Rod-Push
30	108-6576	1	Camshaft ASM
40	98-7449	1	Screw-Set
50	98-9512	1	Gear-Cam
60	98-9378	1	Key-Feather
70	98-9510	1	Stopper-Camshaft
80	98-7692	2	Bolt
90	117-7584	1	Idler Gear ASM
100	117-7585	1	Bushing-Gear, Idle
110	98-9535	1	Collar-Gear, Idle
120	98-9536	1	Collar-Gear, Idle
130	98-9534	1	Circlip-Gear, Idle
140	98-9533	1	Shaft-Gear, Idle
150	98-7692	3	Bolt



## Piston and Crankshaft Assembly

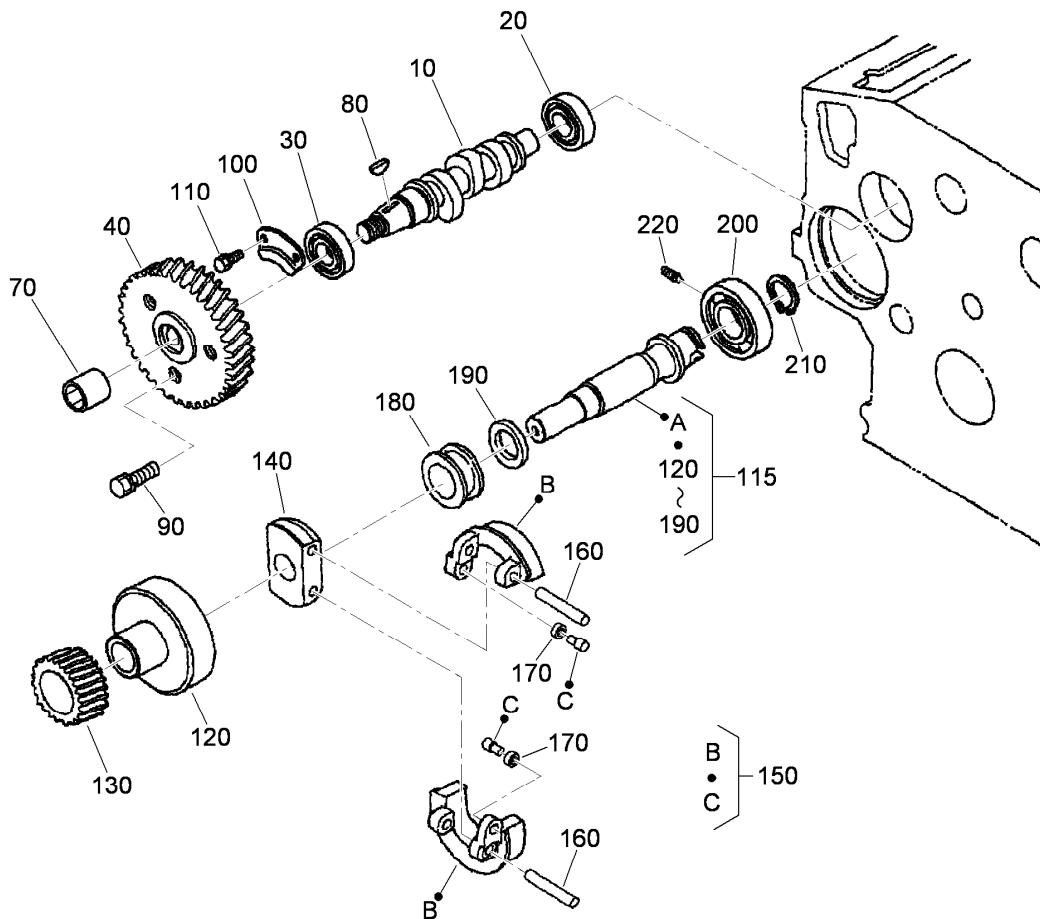
Ref.	Part Number	Qty.	Description
10	112-8415	3	Piston ASM
10	112-8414	3	Piston (+0.5Mm)
20	117-8815	3	Piston Ring ASM
20	117-8816	3	Piston Ring ASM
30	98-9513	3	Pin-Piston
40	98-9514	6	Circlip-Pin, Piston
50	115-3013	3	Connecting Rod ASM
60	115-3014	3	Bushing-Pin, Piston
70	98-9517	6	Bolt-Rod, Connecting
80	98-9518	3	Metal-Crankpin (STD)
80	98-9519	3	Bearing-Rod (-0.2MM)
80	98-9520	3	Bearing-Rod (0.4MM)
90	117-8817	1	Crankshaft ASM
95	98-9522	1	Sleeve-Crankshaft
100	117-7561	1	Gear-Crankshaft
110	98-9666	1	Key
120	98-9542	1	Gear-Drive, Oil Pump

Ref.	Part Number	Qty.	Description
130	98-9521	1	Collar-Crankshaft
140	105-3783	1	O-Ring
150	117-8818	1	Metal-Crankshaft
150	117-8819	1	Metal-Crankshaft
150	117-8820	1	Metal-Crankshaft
160	98-9413	2	Bearing-Thrust (STD)
160	98-9414	2	Bearing-Thrust (0.2MM)
160	98-9415	2	Bearing-Thrust (0.4MM)
170	98-9688	2	Bearing-Thrust (STD)
170	98-9689	2	Bearing-Thrust (0.2MM)
170	98-9690	2	Bearing-Thrust (0.4MM)
180	117-8821	3	Piston Kit
180	117-8822	3	Piston Kit
190	117-8823	1	Engine Metal Kit
190	117-8824	1	Engine Metal Kit
190	117-8825	1	Engine Metal Kit



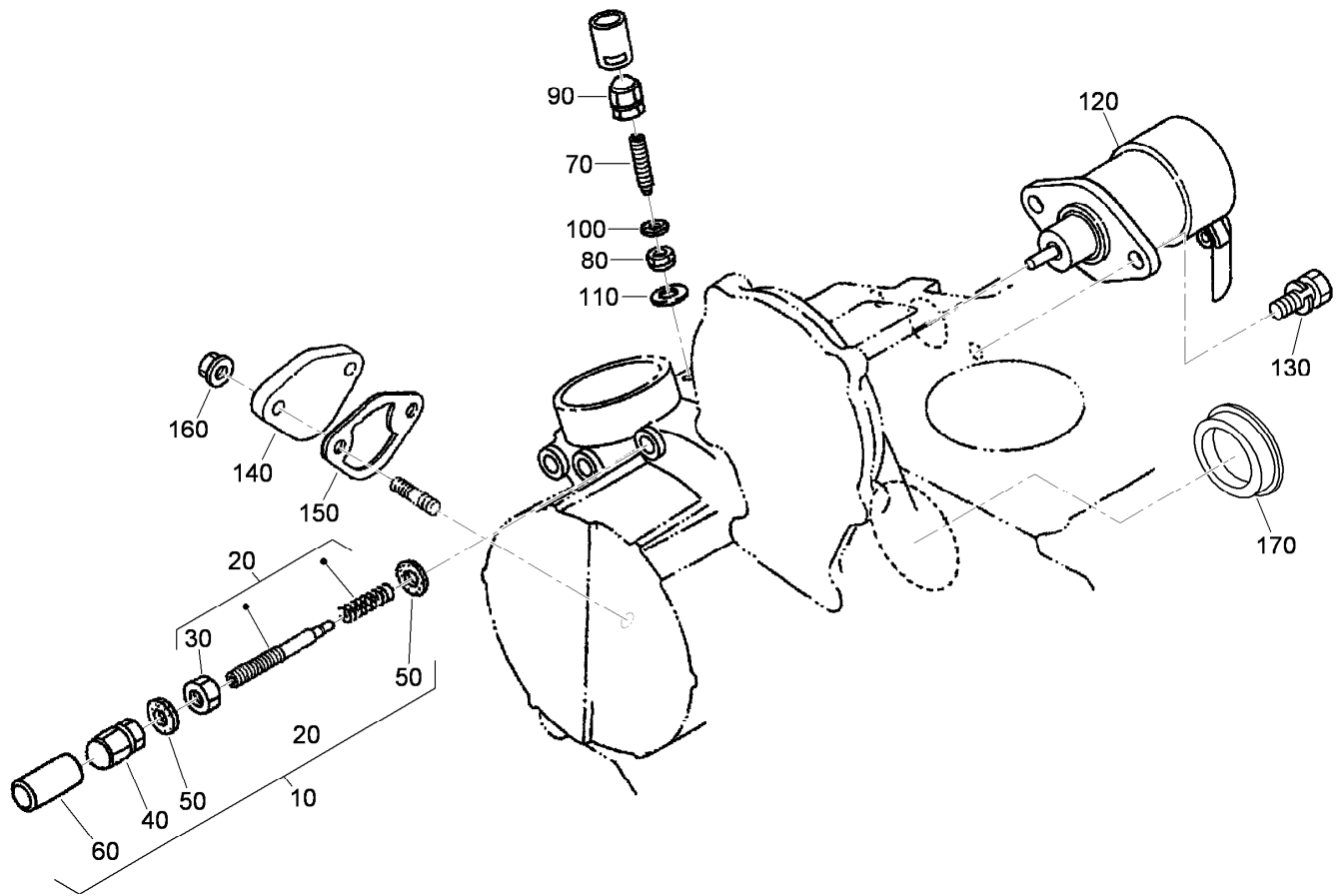
## Flywheel Assembly

<i>Ref.</i>	<i>Part Number</i>	<i>Qty.</i>	<i>Description</i>
10	117-8826	1	Flywheel ASM
20	115-3015	1	Gear-Ring
30	98-9537	6	Bolt-Flywheel
40	98-9486	1	Plate-End, Rear
50	98-9392	8	Bolt



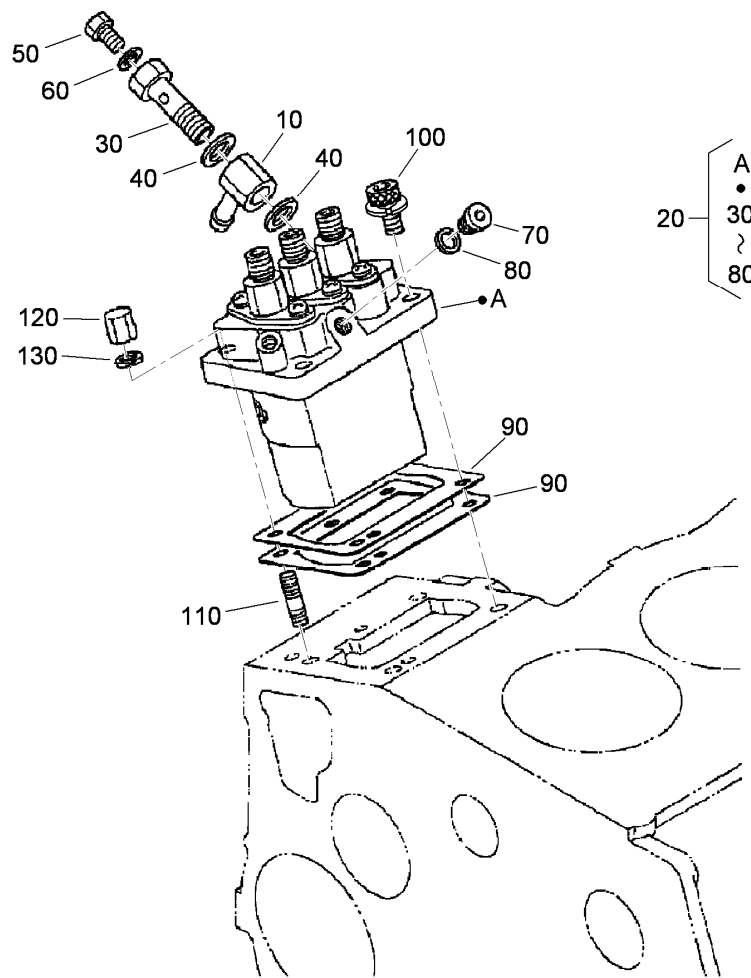
## Fuel Camshaft and Governor Shaft Assembly

Ref.	Part Number	Qty.	Description
10	98-9459	1	Camshaft-Fuel
20	107-9077	1	Bearing-Ball
30	107-9078	1	Bearing-Ball
40	98-9669	1	Gear-Pump, Injection
70	98-9590	1	Nut-Cap
80	98-9595	1	Key-Woodruff
90	98-7605	3	Bolt
100	98-9511	1	Stopper-Fuel, Camshaft
110	98-7692	2	Bolt
115	98-9644	1	Governor Shaft ASM
120	98-9562	1	Holder-Gear, Governor
130	98-9673	1	Gear-Governor
140	98-9561	1	Holder-Weight, Governor
150	98-9559	2	Governor Weight ASM
160	98-9560	2	Shaft-Weight, Governor
170	98-9692	2	Roller
180	98-9563	1	Sleeve-Governor
190	98-9564	1	Washer-Thrust
200	107-9079	1	Bearing-Ball
210	98-9657	1	Circlip-Shaft, Governor
220	98-9565	1	Screw-Set



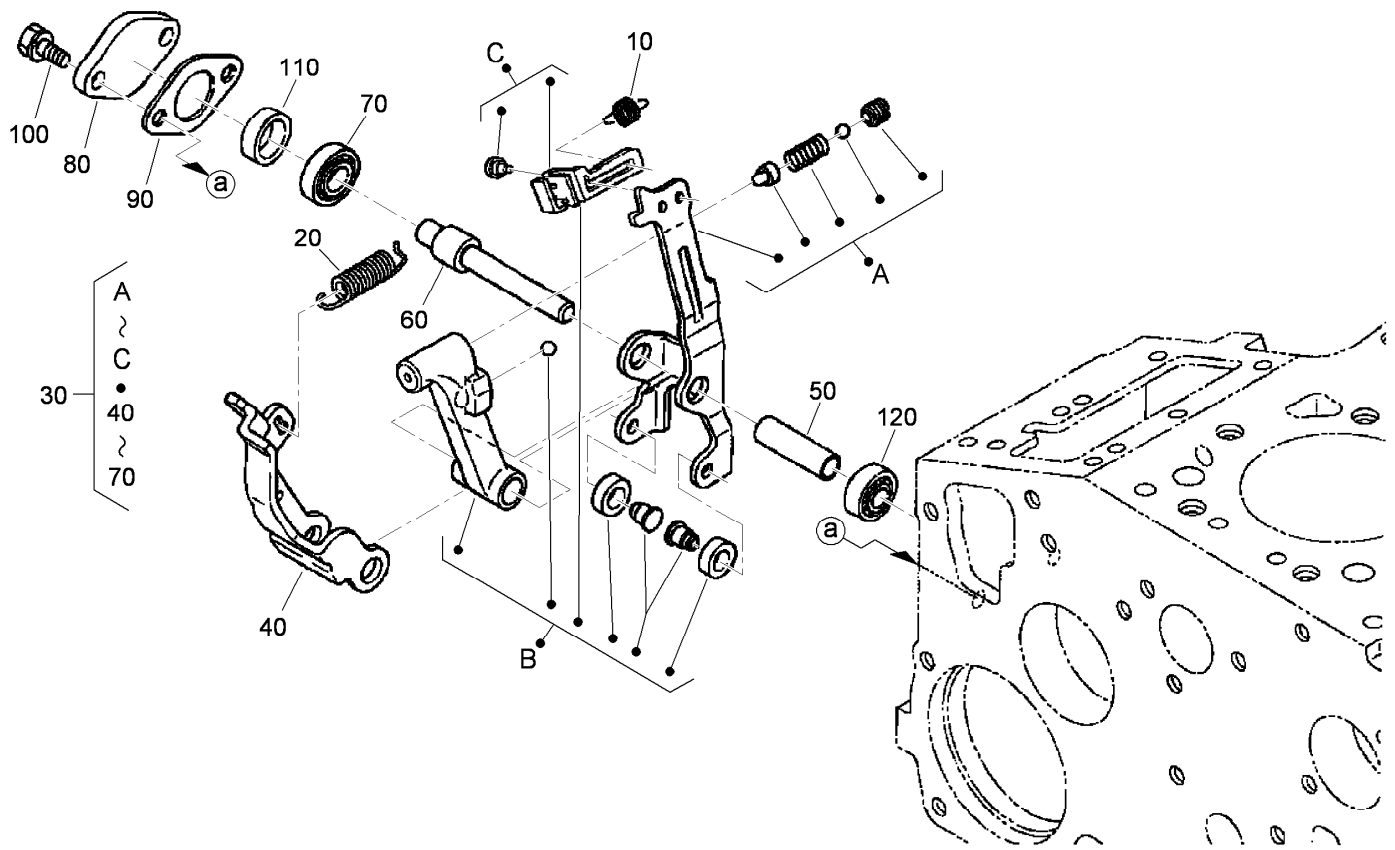
## Idle Apparatus and Stop Solenoid Assembly

Ref.	Part Number	Qty.	Description
10	115-4124	1	Apparatus-Idling
20	115-4125	1	Adjustment Bolt ASM
30	98-9439	1	Nut
40	112-0181	1	Nut
50	98-7654	2	Gasket
60	98-7656	1	Cap
70	112-7015	1	Bolt-Adjusting
80	100-2175	1	Nut-Lock
90	112-0181	1	Nut
100	98-7654	1	Gasket
110	107-9081	1	Gasket
120	104-5155	1	Solenoid-Stop
130	115-3039	2	Bolt-HSH
140	99-3514	1	Cover
150	117-7562	1	Gasket-Pump, Fuel
160	100-2203	2	Nut-Flange
170	112-7016	1	Cover-Pump



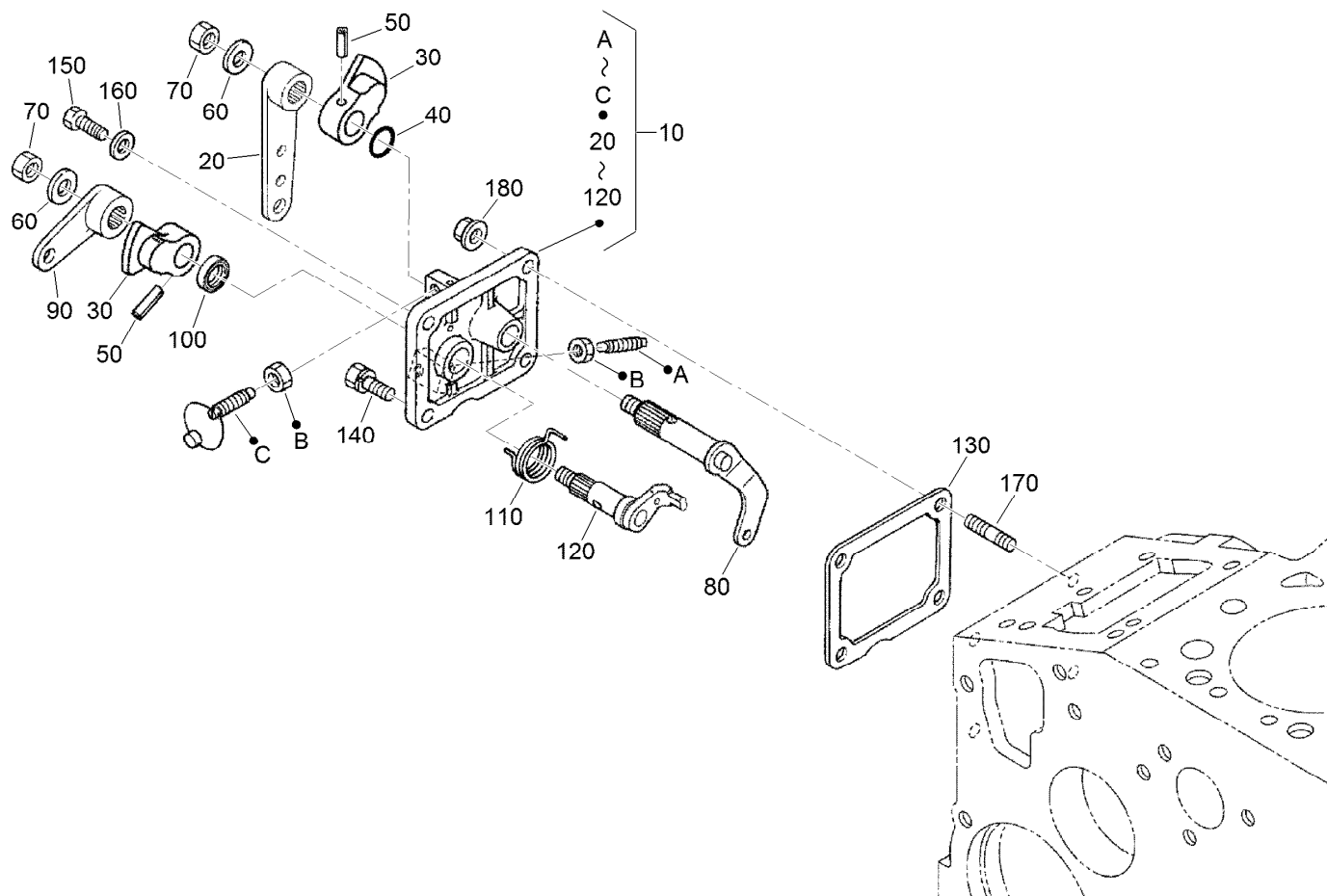
## Injection Pump Assembly

<i>Ref.</i>	<i>Part Number</i>	<i>Qty.</i>	<i>Description</i>
10	98-9596	1	Joint-Eye
20	98-9643	1	Injection Pump ASM
30	98-9464	1	Bolt-Joint
40	98-9445	2	Gasket
50	98-9430	1	Screw
60	98-9446	1	Gasket
70	98-9466	1	Plug
80	98-9451	1	Gasket
90	98-9456	1	Shim-Injection (0.20MM)
90	98-9457	1	Shim-Injection (0.25MM)
90	98-9458	1	Shim-Injection (0.30MM)
90	115-3046	1	Shim-Injection (0.35MM)
90	115-3045	1	Shim-Injection (0.175MM)
100	117-7564	2	Bolt-Hex Soc HD
110	98-9438	2	Stud
120	98-9440	2	Nut-Cap
130	98-7699	2	Washer-Spring



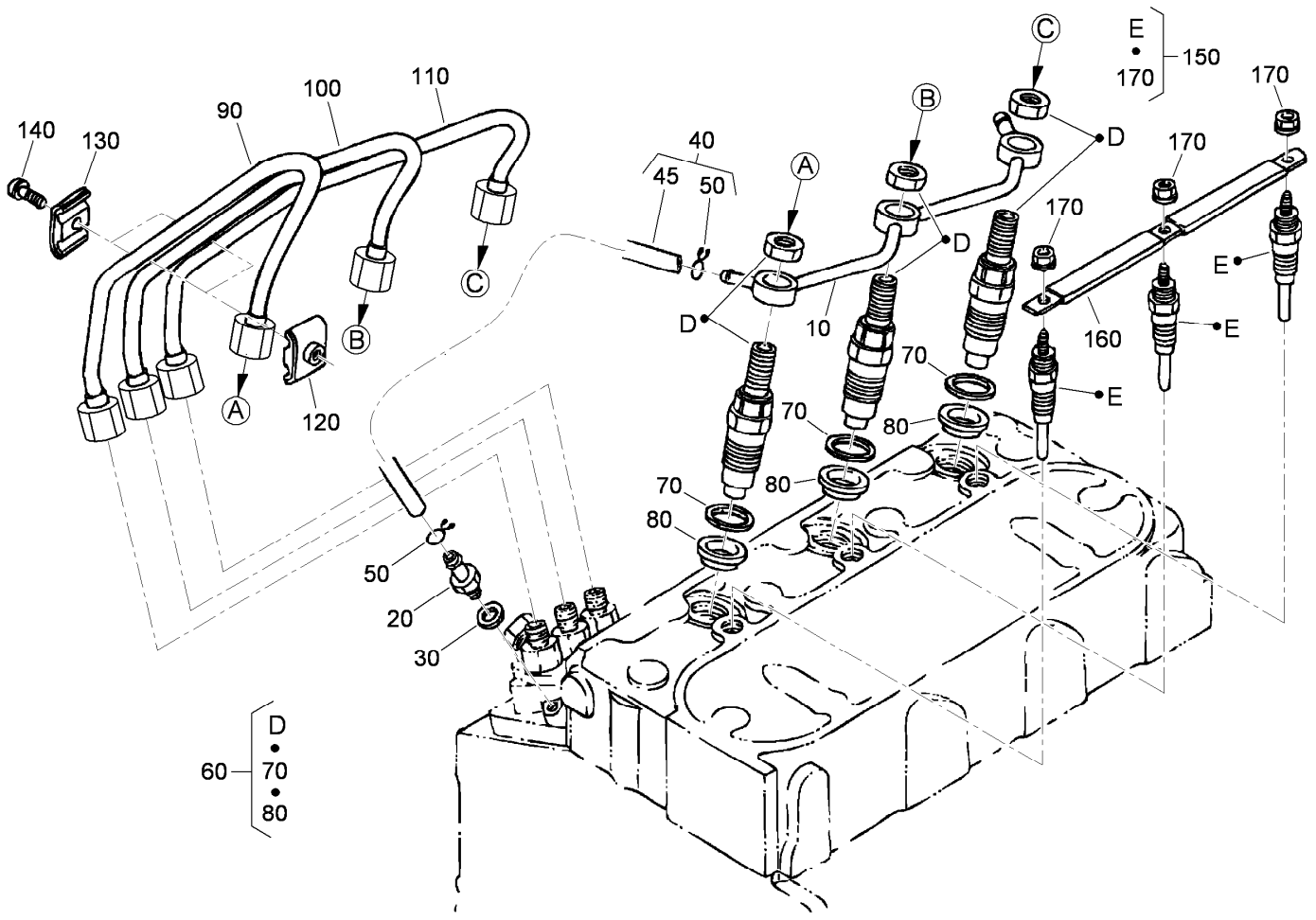
## Governor Assembly

<i>Ref.</i>	<i>Part Number</i>	<i>Qty.</i>	<i>Description</i>
10	105-3786	1	Spring-Start
20	98-9681	1	Spring-Governor
30	117-7567	1	Fork Lever ASM
40	107-9084	1	Lever-Fork
50	107-9085	1	Shaft-Lever, Fork
60	107-9086	1	Shaft-Lever, Fork
70	98-9570	1	Bearing-Miniaturize
80	115-4122	1	Cover-Shaft, Fork Lever
90	98-9682	1	Gasket
100	98-9350	2	Bolt
110	98-9567	1	Collar
120	98-9571	1	Bearing-Miniaturize



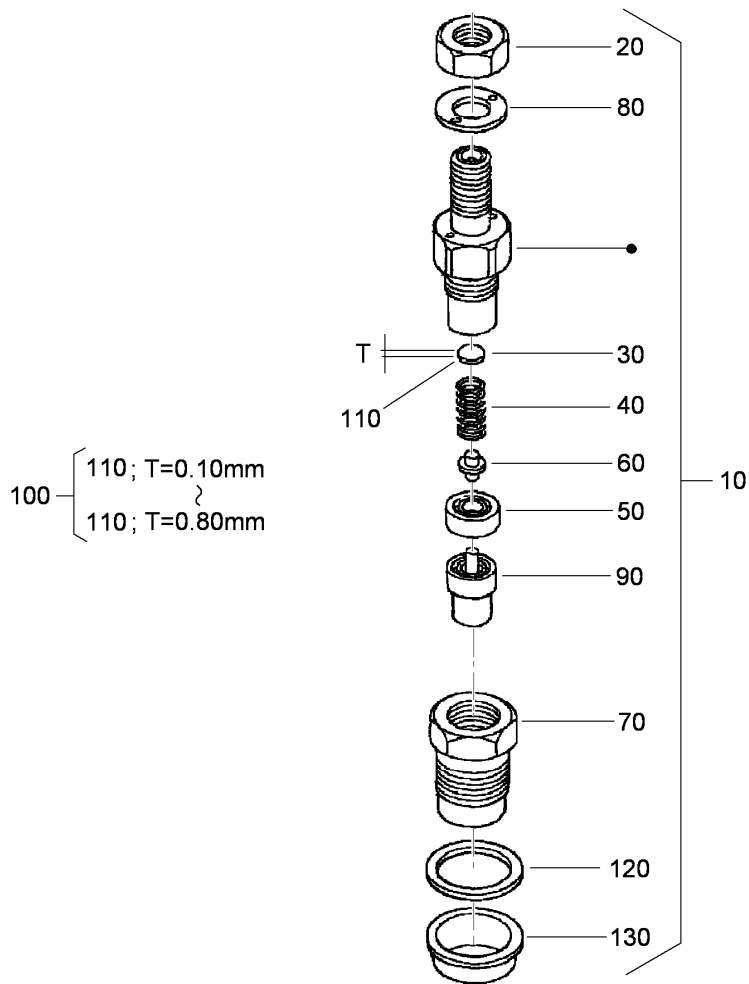
## Speed Control Plate Assembly

<i>Ref.</i>	<i>Part Number</i>	<i>Qty.</i>	<i>Description</i>	<i>Ref.</i>	<i>Part Number</i>	<i>Qty.</i>	<i>Description</i>
10	105-3735	1	Control Plate ASM	100	98-7601	1	Seal-Oil
20	98-9662	1	Lever-Control, Speed	110	98-9472	1	Spring-Return
30	98-9572	2	Lever-Control, Speed	120	98-9664	1	Shaft-Lever, Stop
40	105-3788	1	O-Ring	130	98-9637	1	Gasket
50	98-7602	2	Pin-Spring	140	98-7692	1	Bolt
60	98-9594	2	Washer-Plain	150	99-8348	1	Bolt
70	98-9589	2	Nut	160	98-7654	1	Gasket
80	98-9658	1	Governor Lever ASM	170	105-3710	2	Stud
90	98-9663	1	Lever-Stop, Engine	180	100-2203	2	Nut-Flange



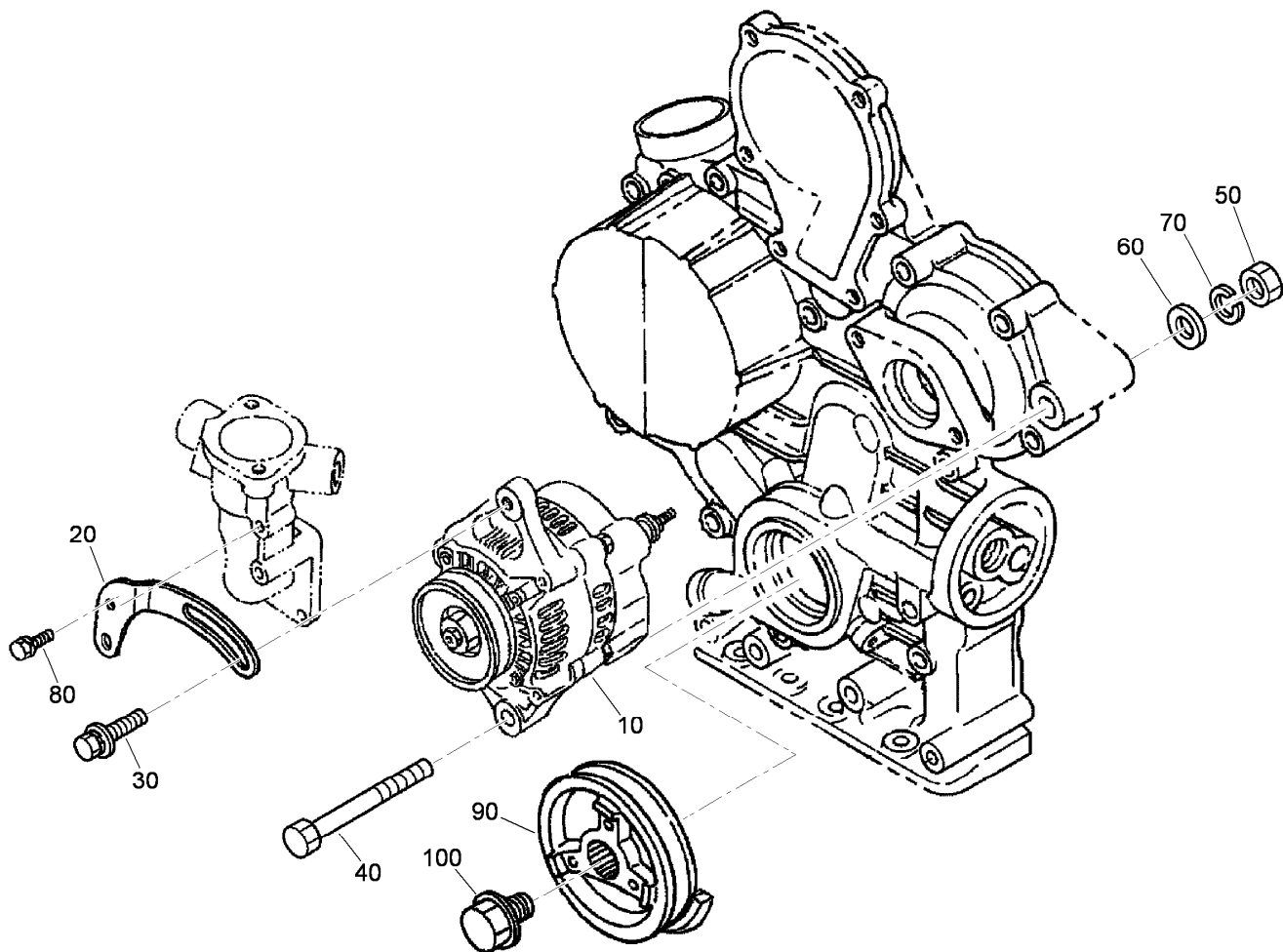
## Nozzle Holder and Glow Plug Assembly

Ref.	Part Number	Qty.	Description
10	98-9620	1	Overflow Pipe ASM
20	98-9431	1	Screw-Bleeder, Air
30	98-7654	1	Gasket
40	98-9420	1	Overflow Pipe ASM
45	112-0182	1	Pipe-Overflow
50	98-7671	2	Clip-Pipe
60	115-3018	3	Nozzle Holder Kit
70	98-7676	3	Gasket
80	98-7677	3	Seal-Heat
90	117-8827	1	Pipe-Injection
100	117-8828	1	Pipe-Injection
110	117-8829	1	Pipe-Injection
120	98-7682	2	Clamp-Pipe
130	98-7683	2	Clamp-Pipe
140	98-7684	2	Screw (W/Washer)
150	115-3019	3	Plug-Glow
160	98-9631	1	Cord-Plug, Glow
170	99-8377	3	Nut-Flange



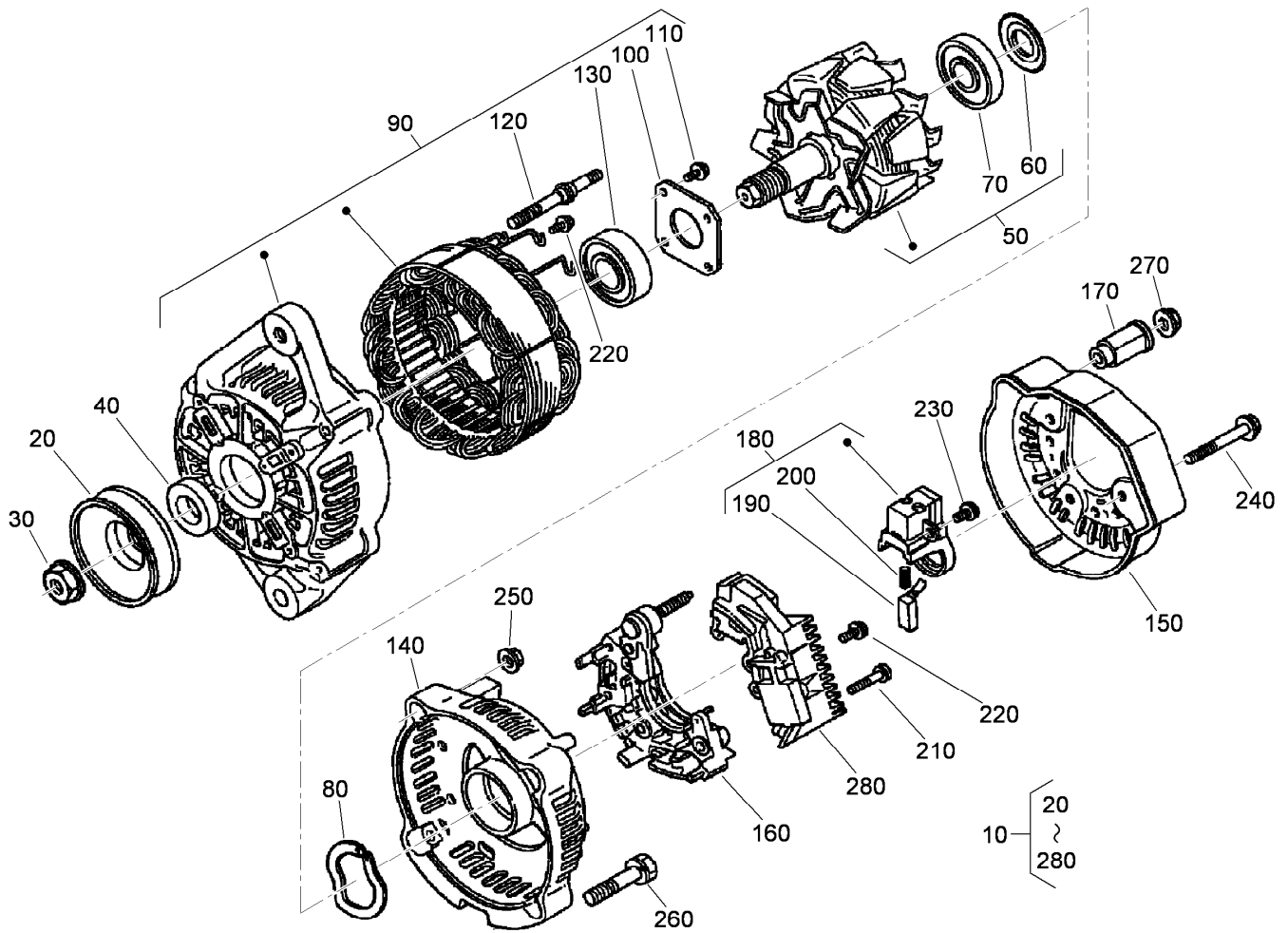
## Nozzle Holder Assembly

Ref.	Part Number	Qty.	Description
10	115-3018	3	Nozzle Holder Kit
20	99-8301	3	Nut
30	99-8302	3	Washer-Adjusting
40	99-8303	3	Spring-Nozzle
50	99-8304	3	Spacer-Distance
60	99-8305	3	Rod-Push
70	99-8306	3	Nut-Nozzle
80	99-8307	3	Washer-Plain
90	115-3020	3	Piece-Nozzle
100	99-8309	3	Adjusting Washer ASM
110	99-8310	3	Washer-Adjust (0.10MM)
110	99-8311	3	Washer-Adjust (0.20MM)
110	99-8312	3	Washer-Adjust (0.30MM)
110	99-8313	3	Washer-Adjust (0.40MM)
110	99-8314	3	Washer-Adjust (0.50MM)
110	99-8315	3	Washer-Adjust (0.52MM)
110	99-8316	3	Washer-Adjust (0.54MM)
110	99-8317	3	Washer-Adjust (0.56MM)
110	99-8318	3	Washer-Adjust (0.58MM)
110	99-8319	3	Washer-Adjust (0.80MM)
120	98-7676	3	Gasket
130	98-7677	3	Seal-Heat



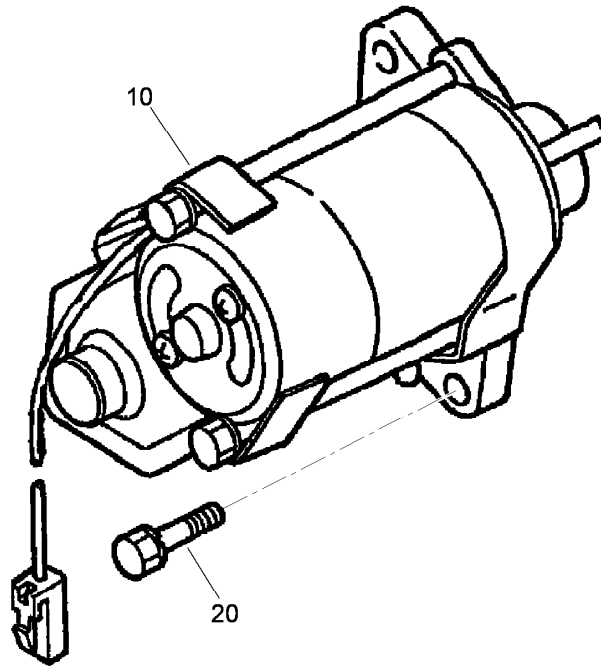
## Alternator and Pulley Assembly

<i>Ref.</i>	<i>Part Number</i>	<i>Qty.</i>	<i>Description</i>
10	98-9474	1	Alternator ASM
20	112-7047	1	Stay-Dynamo
30	108-7088	1	Bolt
40	98-9360	1	Bolt
50	98-7737	1	Nut
60	98-9366	1	Washer-Plain
70	98-7738	1	Washer-Spring
80	98-7692	1	Bolt
90	117-8830	1	Pulley-Drive, Fan
100	98-9585	1	Bolt



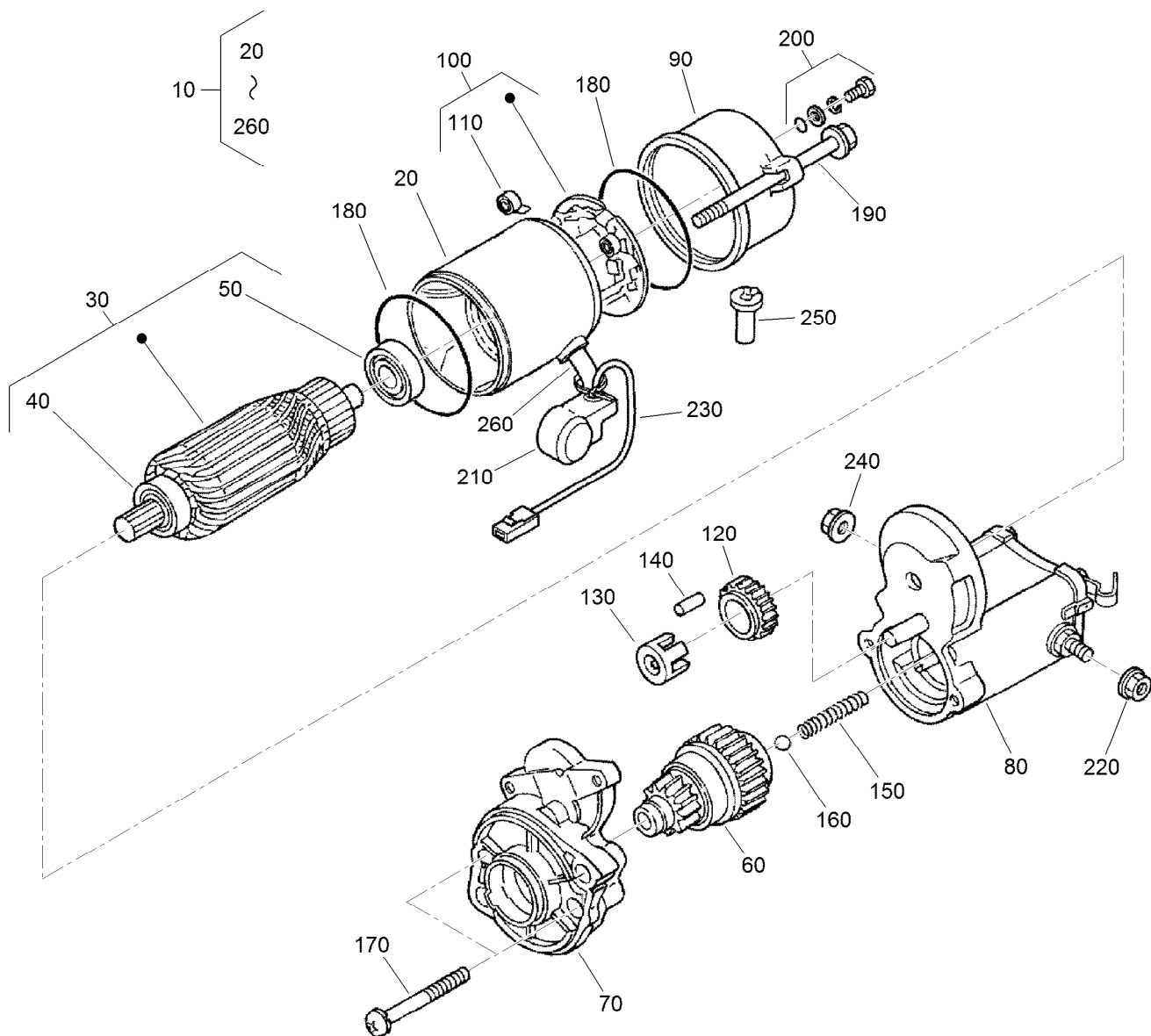
## Alternator Components Assembly

<i>Ref.</i>	<i>Part Number</i>	<i>Qty.</i>	<i>Description</i>	<i>Ref.</i>	<i>Part Number</i>	<i>Qty.</i>	<i>Description</i>
10	98-9474	1	Alternator ASM	150	107-0140	1	Cover-End
20	98-9453	1	Pulley-Dynamo	160	117-7591	1	Rectifier ASM
30	98-7708	1	Nut	170	98-7722	1	Bushing-Insulation
40	98-7709	1	Collar	180	107-0141	1	Brush Holder ASM
50	107-0136	1	Rotor ASM	190	98-7724	2	Brush
60	98-7711	1	Cover-Bearing	200	98-7725	2	Spring-Brush
70	107-0138	1	Bearing-Ball	210	98-7726	2	Screw-Head, Round
80	98-7713	1	Washer-Thrust	220	98-7727	6	Screw-Head, Round
90	107-0139	1	Drive End Frame ASM	230	98-7728	1	Screw-Head, Round
100	98-7715	1	Plate-Retainer	240	98-7729	3	Bolt
110	98-7716	4	Screw-Head, Round	250	98-7730	2	Nut
120	98-7717	2	Bolt-Through	260	98-7731	2	Bolt
130	107-0137	1	Bearing-Ball	270	98-7732	1	Nut
140	107-9087	1	Frame-End	280	110-3799	1	Regulator ASM



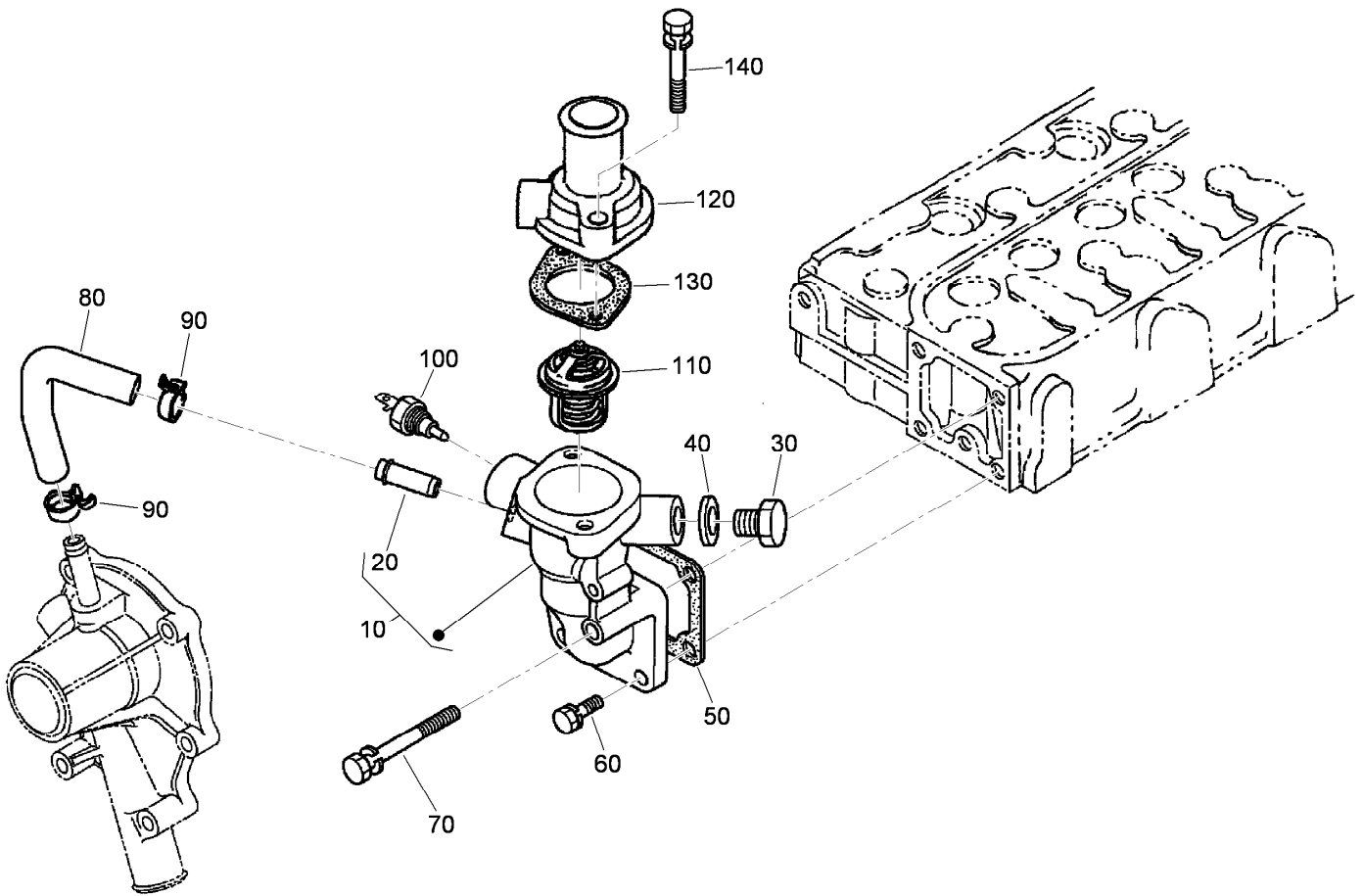
## Starter Assembly

<i>Ref.</i>	<i>Part Number</i>	<i>Qty.</i>	<i>Description</i>
10	98-9705	1	Starter ASM
20	98-7697	2	Bolt



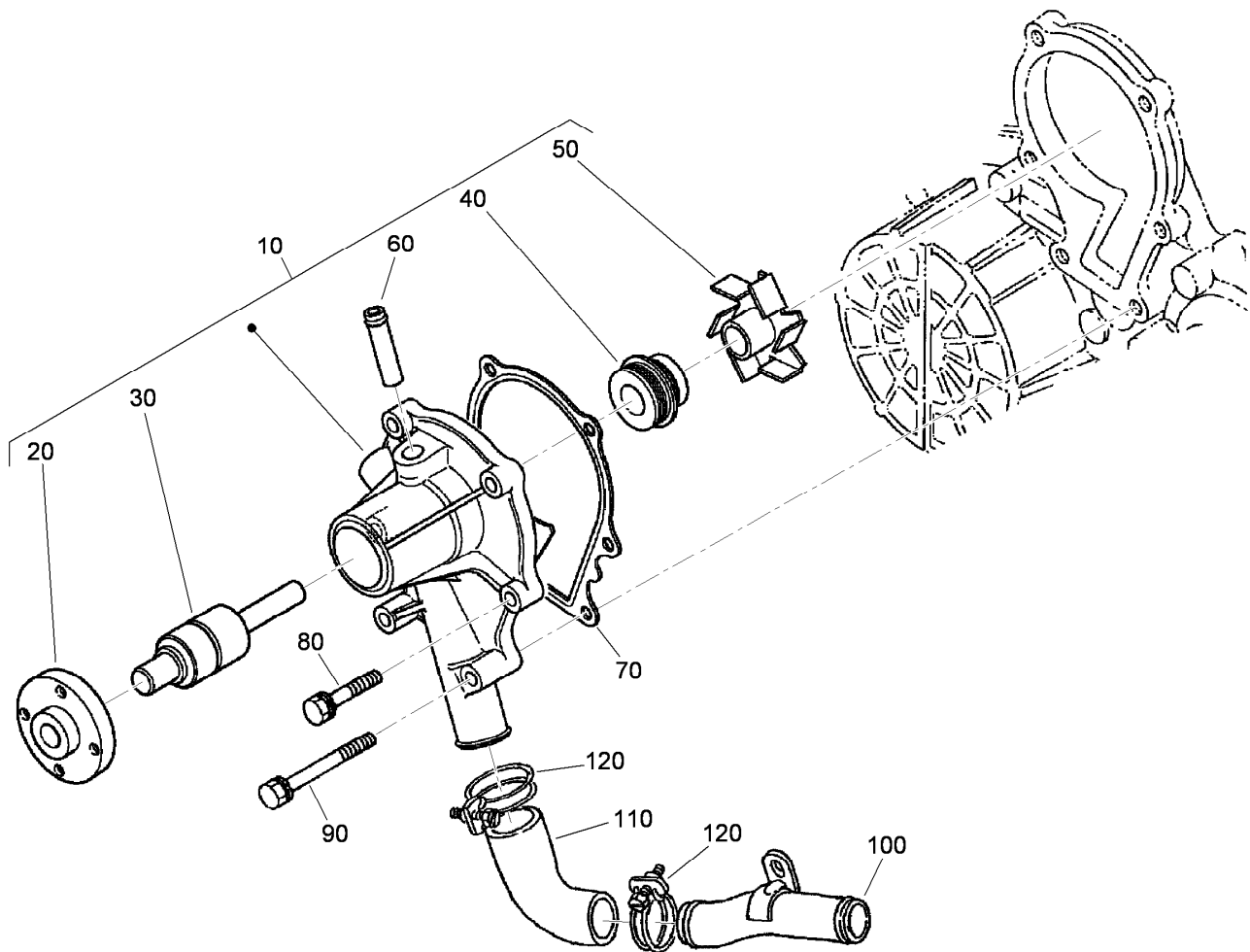
## Starter Component Assembly

<i>Ref.</i>	<i>Part Number</i>	<i>Qty.</i>	<i>Description</i>	<i>Ref.</i>	<i>Part Number</i>	<i>Qty.</i>	<i>Description</i>
10	98-9705	1	Starter ASM	140	98-7753	5	Roller
20	104-8608	1	Yoke ASM	150	98-7754	1	Spring
30	98-7742	1	Armature ASM	160	98-7755	1	Ball
40	98-7744	1	Bearing	170	98-7756	2	Bolt
50	98-7743	1	Bearing	180	98-7757	2	O-Ring
60	99-8373	1	Clutch-Running, Over	190	100-9240	2	Bolt
70	99-8374	1	Frame-End, Drive	200	98-7758	2	Bolt ASM
80	105-3746	1	Magnetic Switch ASM	210	99-8375	1	Cover
90	98-7748	1	Frame-End	220	99-8371	1	Nut-Hex
100	98-7749	1	Brush Holder ASM	230	98-9711	1	Cord-Solenoid, Stop
110	98-7750	4	Spring-Brush	240	99-8376	1	Nut-Hex
120	98-7751	1	Gear	250	98-7759	1	Pipe-Drain
130	98-7752	1	Retainer	260	98-9712	1	Band-Cover



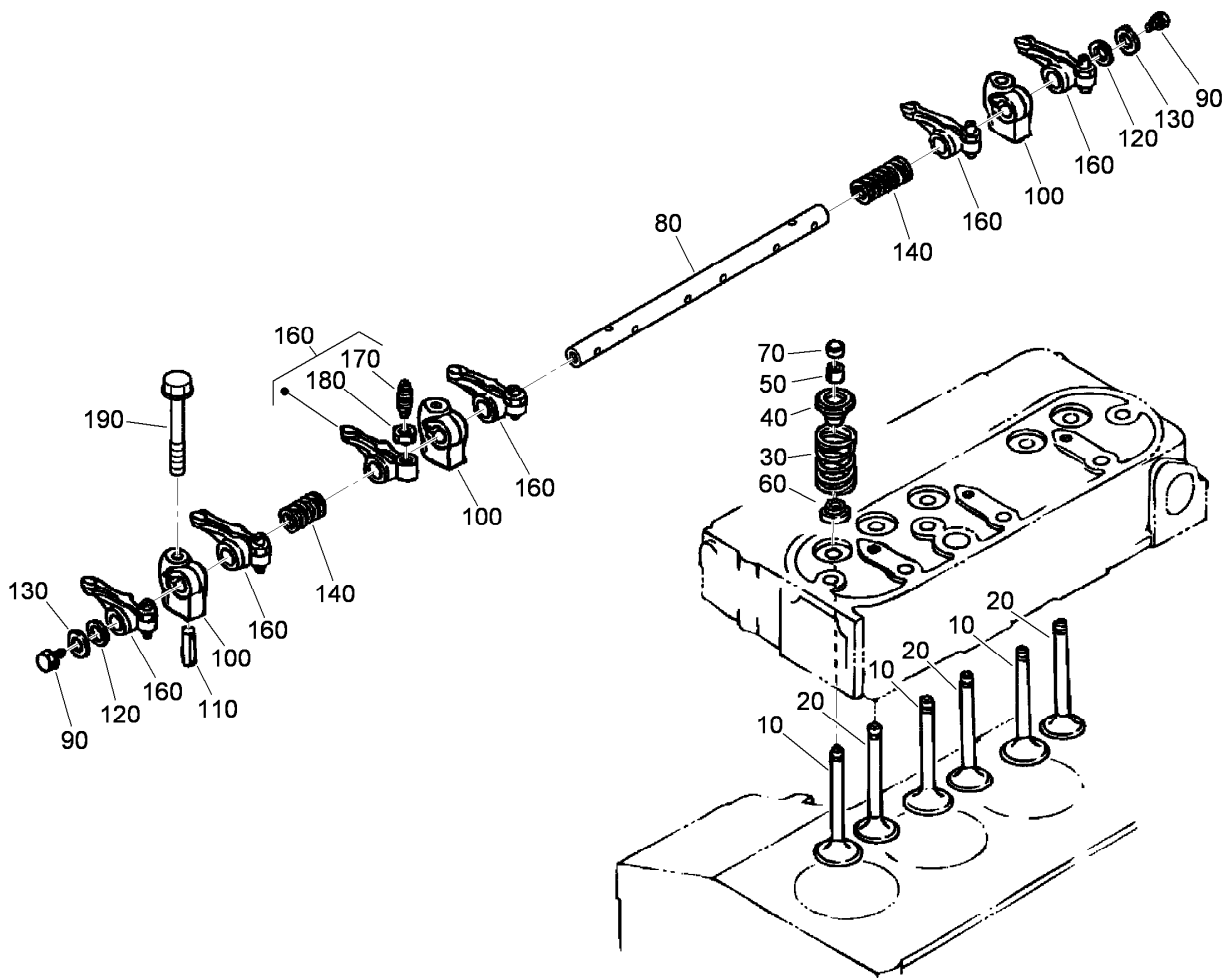
## Water Flange and Thermostat Assembly

<i>Ref.</i>	<i>Part Number</i>	<i>Qty.</i>	<i>Description</i>
10	117-8831	1	Water Flange ASM
20	98-9580	1	Pipe-Return, Water
30	105-3747	1	Plug
40	99-3583	1	Gasket
50	98-9638	1	Gasket-Flange, Water
60	98-7692	3	Bolt
70	98-9356	1	Bolt
80	98-9578	1	Pipe-Return, Water
90	98-9579	2	Band-Pipe
100	112-0183	1	Switch-Thermometer
110	98-7778	1	Thermostat ASM
120	98-9471	1	Cover-Thermostat
130	105-3748	1	Gasket-Thermostat
140	98-7777	2	Bolt



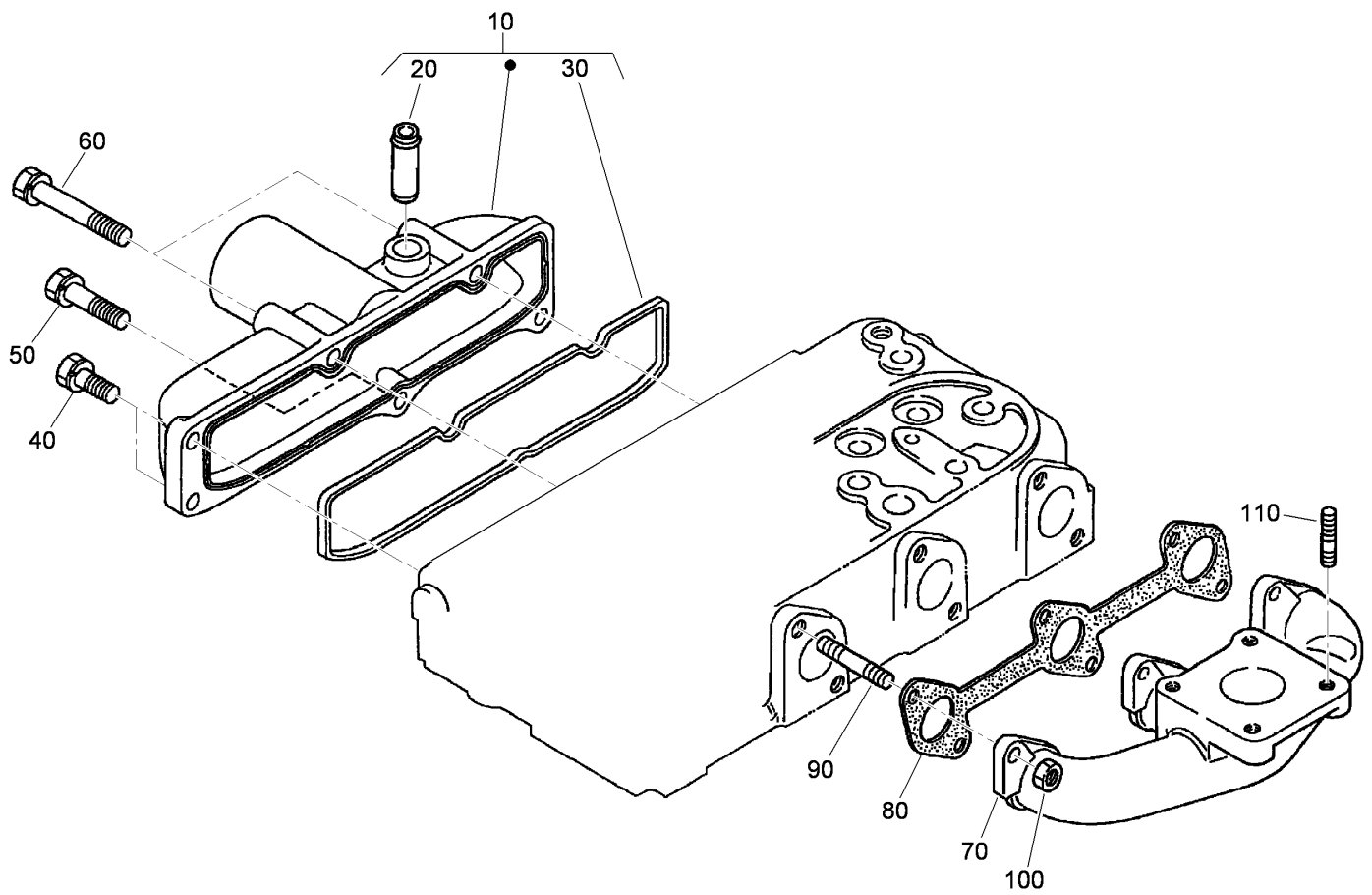
## Water Pump Assembly

<i>Ref.</i>	<i>Part Number</i>	<i>Qty.</i>	<i>Description</i>
10	107-9089	1	Water Pump ASM
20	99-3516	4	Flange-Pump, Water
30	99-3517	1	Bearing-Pump, Water
40	105-3750	1	Mechanical Seal ASM
50	112-7017	1	Impeller-Pump, Water
60	100-1932	1	Pipe-Return, Water
70	99-3454	1	Gasket-Pump, Water
80	98-9353	4	Bolt
90	107-9090	2	Bolt
100	98-9716	1	Pipe-Water
110	107-9091	1	Pipe-Water
120	98-9717	2	Clamp



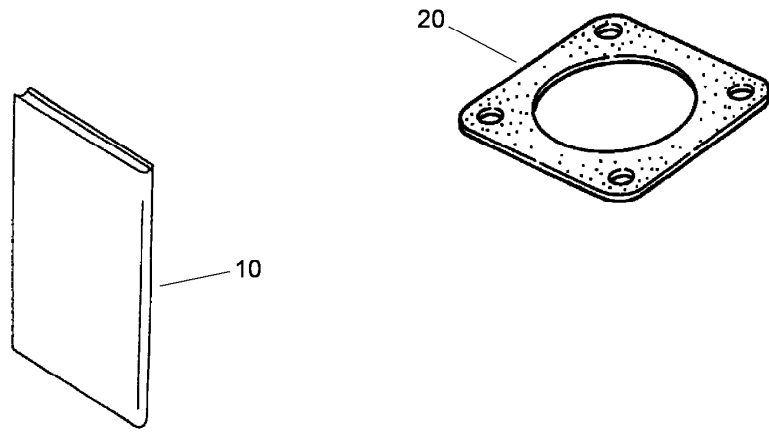
## Valve and Rocker Arm Assembly

<i>Ref.</i>	<i>Part Number</i>	<i>Qty.</i>	<i>Description</i>
10	112-7018	3	Valve-Inlet
20	112-7021	3	Valve-Exhaust
30	98-9648	6	Spring-Valve
40	107-9092	6	Retainer-Spring
50	98-9390	6	Collet-Spring, Valve
60	99-8385	6	Seal-Stem, Valve
70	98-9497	6	Cap-Valve
80	105-3790	1	R-Arm Shaft ASM
90	100-9265	2	Bolt
100	98-9505	3	Bracket-Arm, Rocker
110	105-3758	1	Pin-Spring
120	98-9507	2	Washer-Shaft, Rocker Arm
130	110-3832	2	Washer-Plain
140	98-9504	2	Spring-Arm, Rocker
160	112-7020	6	Rocker Arm ASM
170	98-9502	6	Screw-Adjusting
180	98-9503	6	Nut
190	117-8832	3	Bolt



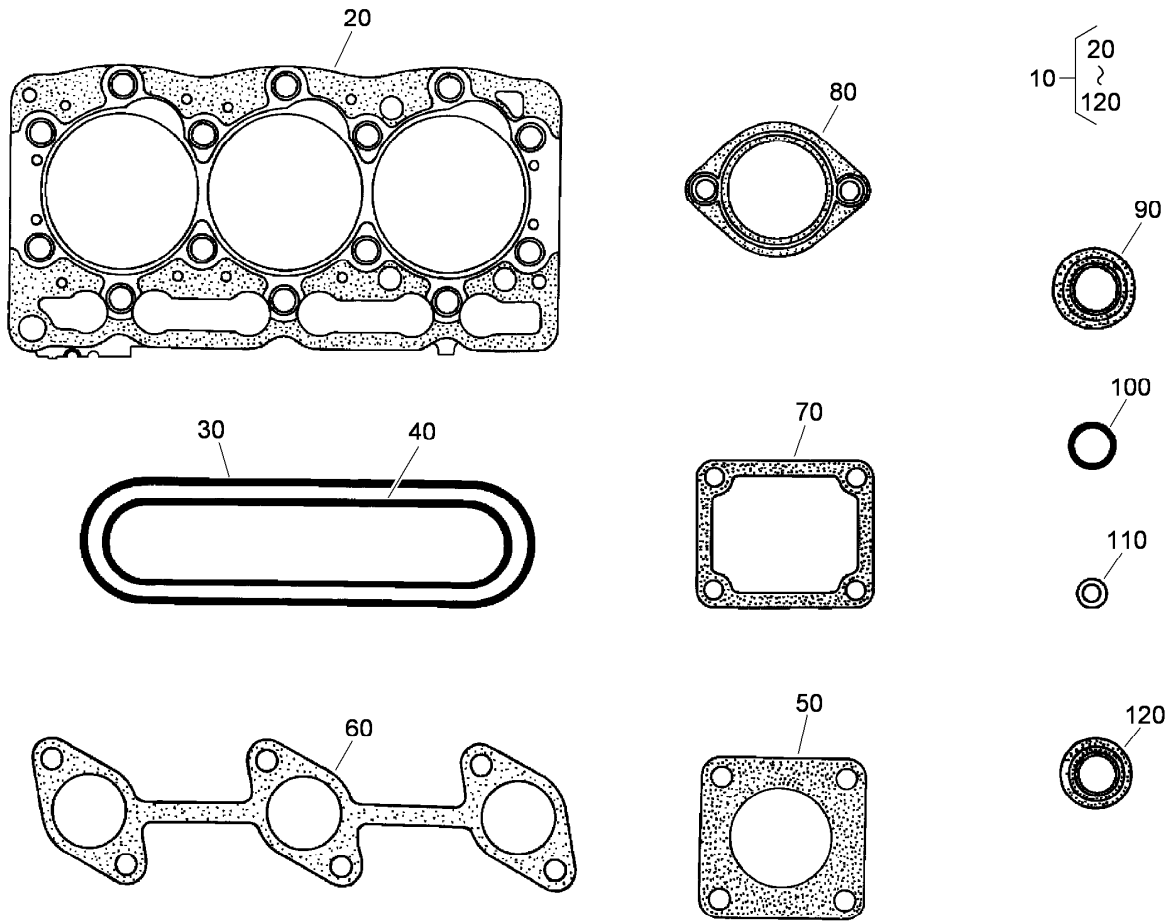
## Inlet and Exhaust Manifold Assembly

<i>Ref.</i>	<i>Part Number</i>	<i>Qty.</i>	<i>Description</i>
10	108-6577	1	Inlet Manifold ASM
20	98-9492	1	Joint-Pipe, Breather
30	98-9609	1	Gasket-Manifold, Inlet
40	98-7605	3	Bolt
50	98-9353	1	Bolt
60	105-3797	2	Bolt
70	107-9093	1	Manifold-Exhaust
80	99-8327	1	Gasket-Manifold, Exhaust
90	98-9588	6	Stud
100	98-9665	6	Nut
110	98-7769	4	Stud



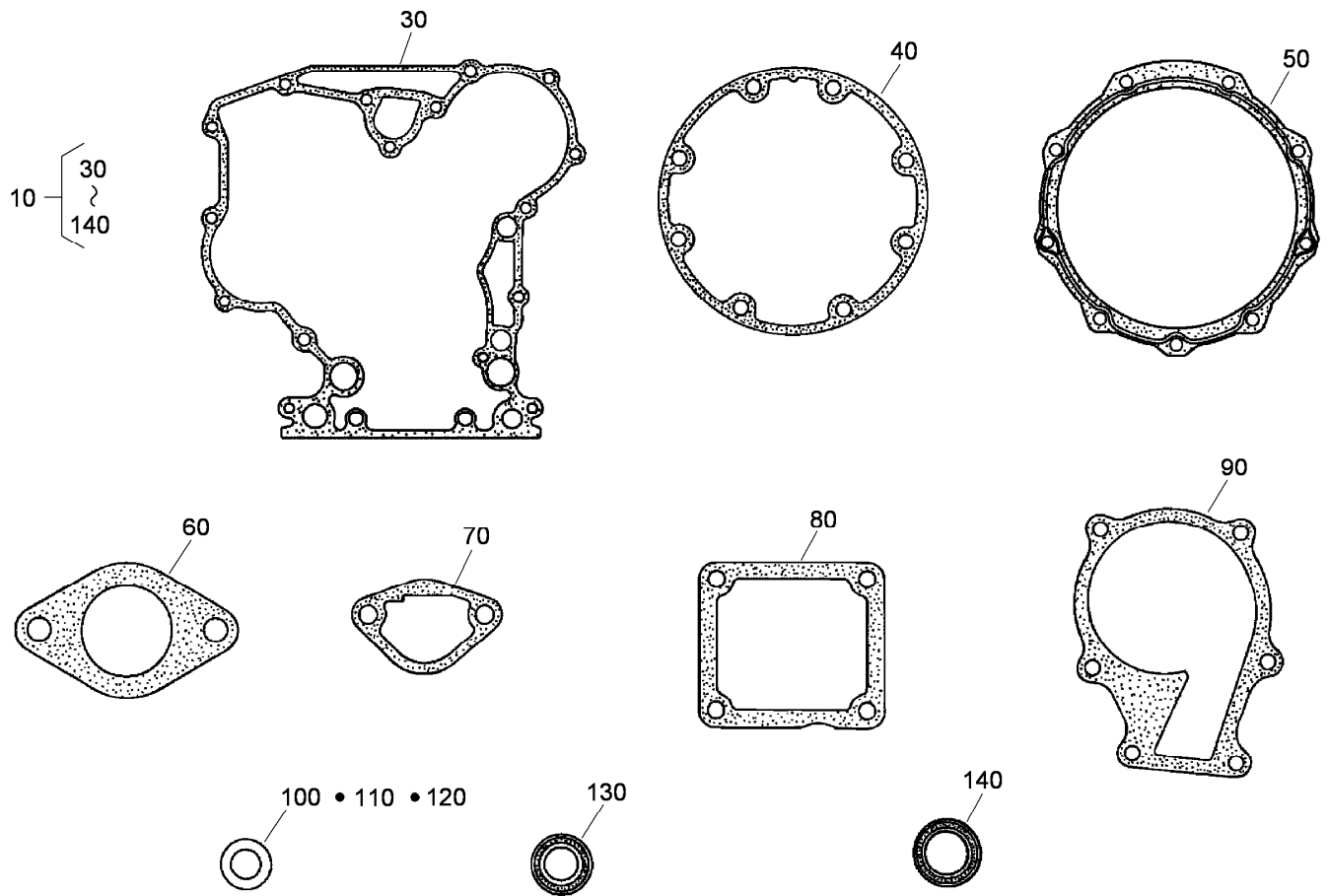
## Muffler Gasket and Operator Manual

<i>Ref.</i>	<i>Part Number</i>	<i>Qty.</i>	<i>Description</i>
10	117-8836	1	Manual-Operator, Kubota
20	99-8343	1	Gasket-Muffler



## Upper Gasket Kit

<i>Ref.</i>	<i>Part Number</i>	<i>Qty.</i>	<i>Description</i>
10	117-8833	1	Upper Gasket Kit
20	108-6573	1	Gasket-Head, Cylinder
30	117-8806	1	Gasket-Cover, Head
40	98-9609	1	Gasket-Manifold, Inlet
50	99-8343	1	Gasket-Muffler
60	99-8327	1	Gasket-Manifold, Exhaust
70	98-9638	1	Gasket-Flange, Water
80	105-3748	1	Gasket-Thermostat
90	98-7677	3	Seal-Heat
100	99-3446	2	O-Ring
110	98-7676	3	Gasket
120	99-8385	6	Seal-Stem, Valve



## Lower Gasket Kit

<i>Ref.</i>	<i>Part Number</i>	<i>Qty.</i>	<i>Description</i>
10	117-8834	1	Lower Gasket Kit
30	117-8835	1	Gasket-Case, Gear
40	98-9634	1	Gasket-Case, Bearing
50	112-7037	1	Gasket-Cover, Case
60	98-9682	1	Gasket
70	117-7562	1	Gasket-Pump, Fuel
80	98-9637	1	Gasket
90	99-3454	1	Gasket-Pump, Water
100	98-7654	1	Gasket
110	98-7524	1	Gasket
120	110-9715	1	Gasket-Pan, Oil
130	98-9482	1	Seal-Oil
140	112-0180	1	Seal-Oil

# Attachments and Accessories

## For 03660 Reelmaster 5210 Traction Unit

<b>Product Name</b>	<b>Model/Part</b>
Turf Defender Electronic Leak Detector Kit .....	03521
8-Blade DPA Cutting Unit with 5in Reel.....	03661
5 Inch Verticutter.....	03664
Air Ride Seat Suspension Kit.....	03667
Four-Wheel Drive Kit .....	03671
Turf Evaluator .....	04399
Premium Bio-Degradable Hydraulic Fluid (5 Gallon Pail).....	100-7674
Wheel Weight Kit .....	104-1478
Premium All Season Hydraulic Fluid (55 Gallon Drum).....	108-1177
Premium All Season Hydraulic Fluid (5 Gallon Pail).....	108-1178
Premium Engine Oil, 10w30 (55 Gallon Drum) .....	108-1179
Premium Engine Oil, 10w30 (5 Gallon Pail) .....	108-1180
Premium Bio-Degradable Hydraulic Fluid (55 Gallon Drum).....	108-1189
Premium All Purpose Grease (Tube) .....	108-1190
Gauge Bar Assembly.....	108-6715
Tire-Rear, 24x13-12.....	110-5132
ROPS Extension Kit.....	110-8030
Operator Fan Kit - US Sales Only, 3in ROPS Post .....	110-8804
Two-Post ROPS Kit .....	110-8860
Weight Plate .....	110-8985-03
5in Air Cleaner Safety Element.....	114-4057
Tire .....	117-8984
Premium Synthetic Bio-Degradable Hydraulic Fluid (5 Gallon Pail) .....	119-2157
Premium Synthetic Bio-Degradable Hydraulic Fluid (55 Gallon Drum).....	119-2158
Cutting Unit Hydraulic Hose Kit.....	119-6955
Japanese Service Decal .....	119-6967
Brush and Handle Kit.....	29-9100
400-Hour Filter Maintenance Kit .....	30054
Hardtop Sunshade.....	30359
Diagnostic Display Box.....	85-4750
Plastic Plug.....	93-7498
Spark Arrestor .....	98-9099

**Notes:**

**Notes:**

**Notes:**



**Count on it.**