



**Count on it.**

**Parts Catalog**

**Trans Pro 200  
Tow-Behind Trailer**

Model No. 04239—Serial No. 410000000 and Up



# Ordering Replacement Parts

To order replacement parts, please supply the part number, the quantity, and the description of each part desired.

## Understanding Reference Numbers

Each identified part in an illustration has a reference number. The reference number for a part also appears in the parts list, along with other information about the part.

This catalog uses two special reference number formats, one to indicate parts in a service assembly and another to indicate the quantity of a given part in an illustration.

## Service Assembly Reference Numbers

Parts in service assemblies have reference numbers in the form a:b. The a represents the reference number of the entire service assembly and the b represents a sequential number unique to each part within the service assembly.

For example, a wheel assembly might be identified by reference number 6, the tire by 6:1, the valve by 6:2, and the wheel by 6:3. When you order the assembly identified by reference number 6, you receive all parts identified by reference numbers 6:1, 6:2, and 6:3. However, you may also order any part individually. Reference numbers of this type appear in illustration and in parts lists.

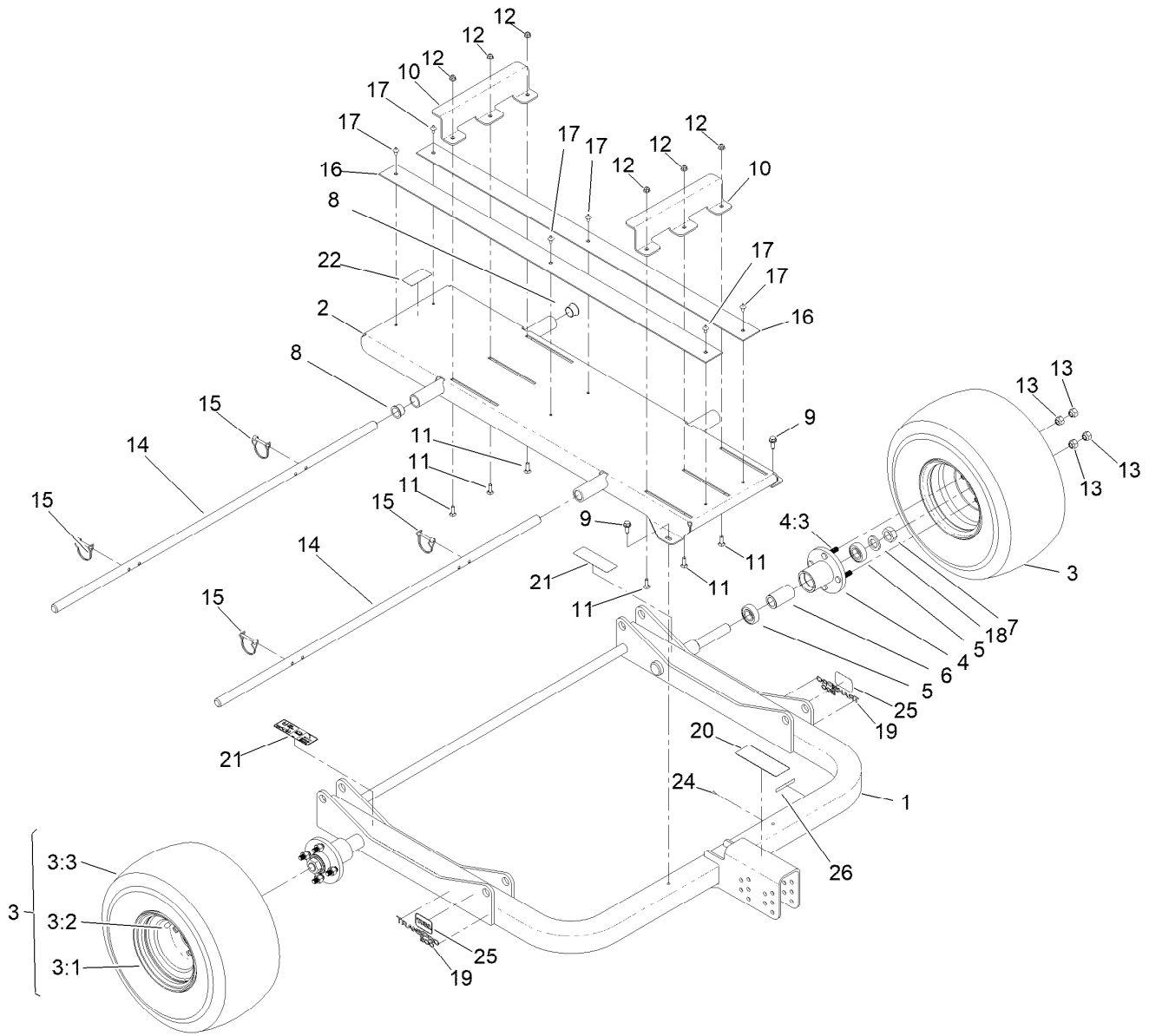
## Reference Numbers Indicating Quantity

In an illustration, if a reference number indicates more than one part, the reference number has the form nX y. The n represents the quantity of the part, the X is the multiplication symbol, and the y represents the reference number.

For example, in an illustration, the reference number 2X 37 means that two of the parts identified by reference number 37 are indicated.

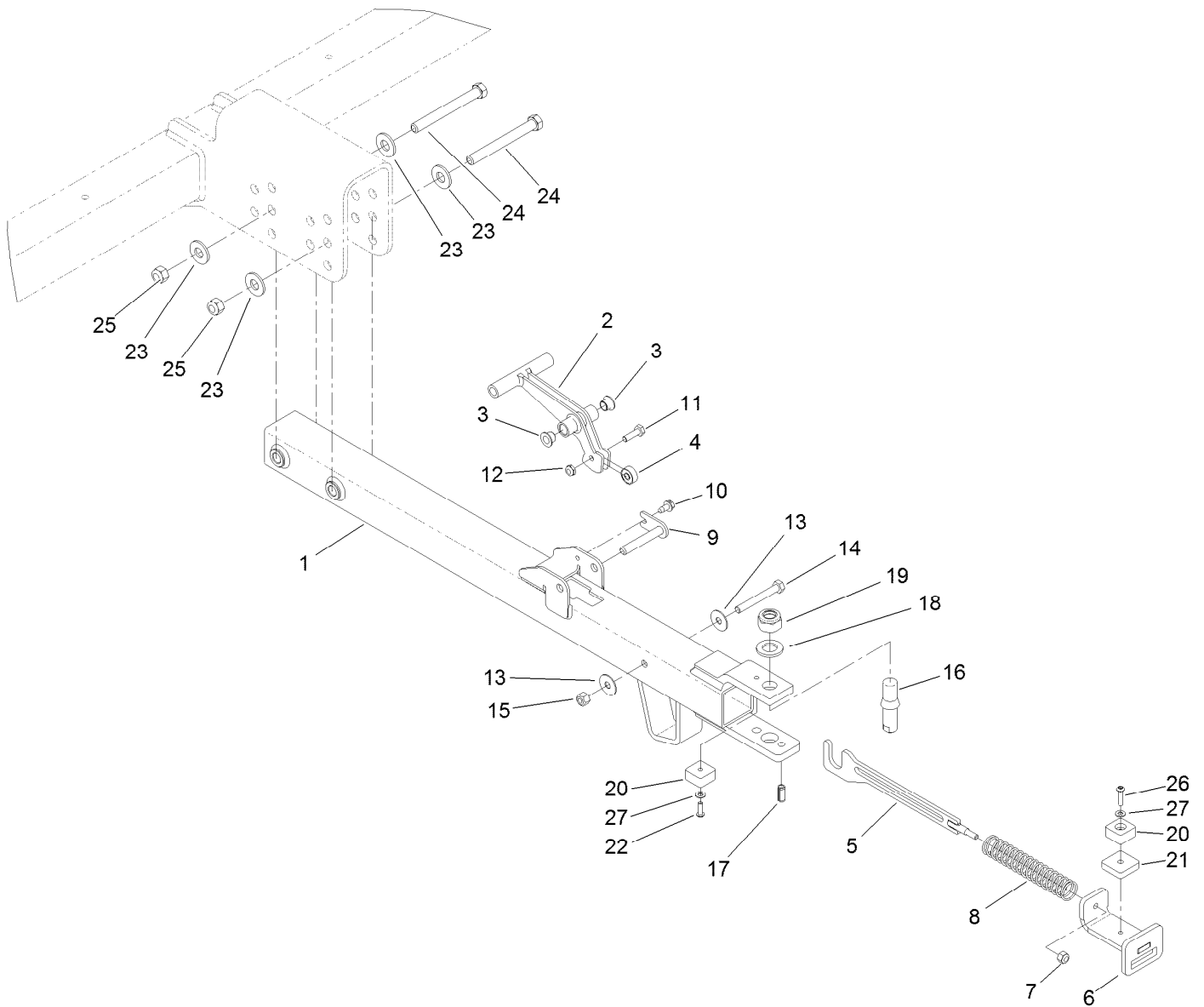
# Contents

Pull Frame Assembly ..... 4  
Tongue Assembly ..... 5  
Attachments and Accessories ..... 6



## Pull Frame Assembly

Ref.	Part Number	Qty.	Description	Ref.	Part Number	Qty.	Description
1	140-7592SP	1	Frame-Main	12	104-8300	6	Nut-HF, NI
2	140-9612SP	1	Support-Center	13	242-50	8	Nut-Lug
3	144-3664	2	Wheel-Assembly	14	140-9689	2	Rod-Support
3:1	137-2597	1	Rim	15	100-1663	4	Pin-Hitch
3:2	232-27	1	Stem-Valve	16	140-5266	2	Pad-Strip, Roller
3:3	144-3665	1	Tire	17	144-5679	6	Rivet-Drive
4	144-5661	2	Wheel Hub ASM	18	86-1480	2	Washer
4:3	114-3918	4	Stud-Wheel	19	138-9738	2	Decal, Transpro 200
5	251-82	4	Bearing-Ball	20	140-5279	1	Decal-Danger
6	144-5662	2	Spacer-Bearing	21	140-5280	2	Decal-Tire Pressure, Torque
7	3296-49	2	Nut-Lock, NI	22	140-5281	1	Decal-Warning, No Riders
8	126-1492	2	Bearing-Flanged	24	3290-271	2	Rivet-Pop
9	126-1696	2	Screw-HWHTF	25	125-8214	2	Decal-Toro Logo
10	140-7570-03	2	Mount-Roller	26	133-8061	1	Decal-Warning
11	3230-22	6	Screw-CARR				



## Tongue Assembly

<i>Ref.</i>	<i>Part Number</i>	<i>Qty.</i>	<i>Description</i>	<i>Ref.</i>	<i>Part Number</i>	<i>Qty.</i>	<i>Description</i>
1	140-7504-01	1	Hitch [red]	15	3296-29	1	Nut-Lock, NI
2	140-7510	1	Handle	16	127-5861	1	Pin-Tow
3	137-2374	2	Bushing-Flange	17	32121-123	1	Pin-Roll
4	117-8772	1	Bearing-Ball	18	09491	1	Washer-Plain
5	140-7507	1	Lever ASM,	19	09456	1	Nut
6	132-4775-01	1	Bracket-Slide	20	94-1392	2	Pad-Rubber
7	3296-42	1	Nut-Lock, NI	21	140-7503	1	Plate-Spacer
8	144-5654	1	Spring-Compression	22	119-7568	1	Screw-HSBH
9	140-7513	1	Pin Flag	23	29-8910	6	Washer
10	120-9551	1	Screw-HWH	24	120-0922	2	Screw-HH
11	321-5	1	Screw-HH	25	3296-76	2	Nut-Lock, NI
12	3296-56	1	Nut-Lock, NI	26	119-7577	1	Screw-BHCS
13	108-4925	2	Washer	27	3256-51	2	Washer-Flat
14	322-12	1	Screw-HH				

# Attachments and Accessories

## For 04239 Trans Pro 200 Tow-Behind Trailer

<b>Product Name</b>	<b>Model/Part</b>
Kit-Axle, GR1000.....	144-5663
Kit-Axle, Flex 2120.....	144-5664
Kit-Axle, Flex 18/21.....	144-5668
Kit-Wheel, Bogey.....	145-0058

**Notes:**



**Count on it.**