



MODEL NO. 07205—60001 AND UP
MODEL NO. 07206—60001 AND UP
MODEL NO. 07215—60001 AND UP

OPERATOR
MANUAL

WORKMAN 3300-D AND 4300-D UTILITY VEHICLES

To understand this product, and for safety and optimum performance, read this manual before starting the engine. Pay special attention to SAFETY INSTRUCTIONS highlighted by this symbol.



It means CAUTION, WARNING or DANGER—personal safety instruction. Failure to comply with the instruction may result in personal injury.



Foreword

The TORO WORKMAN® was developed to provide an efficient, versatile, trouble free and economical work vehicle. The latest concepts of engineering, design and safety have been incorporated into this machine, along with the highest quality parts and workmanship. Excellent service will be derived if proper operation and maintenance practices are followed. This vehicle is not designed or manufactured for use on roads, streets or highways. It is not appropriate for such use.

You know, since you have purchased the industry leader in maintenance excellence, that future performance and dependability are of prime importance. TORO also is concerned about future use of the machine and of safety to the user. Therefore, this manual must be read by you and those involved with the WORKMAN® to make sure that safety, proper setup, operation and maintenance procedures are fol-

lowed at all times.

Safety, mechanical and some general information in this manual are emphasized. DANGER, WARNING and CAUTION identify safety messages. Whenever the triangle safety symbol appears, it is followed by a safety message that must be read and understood. For more details concerning safety, read the safety instructions on pages 4 and 5. IMPORTANT identifies special mechanical information and NOTE identifies general information worthy of special attention.

If help concerning set up, operation, maintenance or safety is ever needed, contact your local Authorized TORO Distributor. In addition to genuine TORO replacement parts, the distributor also has optional equipment for the complete line of TORO turf care equipment. Keep your TORO all TORO. Buy genuine TORO parts and accessories. Servicing Air Cleaner Filter

Table of Contents

	Page
Safety	3
Specifications	9
Before Operating	11
Controls	16
Operating	19
Maintenance	28

Safety

The WORKMAN® was designed and tested to offer safe service when operated and maintained properly. Although hazard control and accident prevention partially are dependent upon the design and configuration of the machine, these factors are also dependent upon the awareness, concern, and proper training of the personnel involved in the operation, maintenance and storage of the machine. Improper use or maintenance of the machine can result in injury or death.

This is a specialized utility vehicle designed for off-road use. Its ride and handling will have a different feel than what drivers experience with passenger cars or trucks. So take time to become familiar with your WORKMAN®. Not all of the attachments that adapt to the WORKMAN® are covered in this manual. See the specific Operator's Manual provided with the attachment for additional safety instructions. **READ THESE MANUALS.**

TO REDUCE THE POTENTIAL FOR INJURY OR DEATH, COMPLY WITH THE FOLLOWING SAFETY INSTRUCTIONS.

SUPERVISOR'S RESPONSIBILITIES

1. Make sure operators are thoroughly trained and familiar with the Operator's Manual and all labels on the vehicle.
2. Be sure to establish your own special procedures and work rules for unusual operating conditions (e.g. slopes too steep for vehicle operation). Use the 3rd High Lockout switch if high speed could result in a safety or vehicle abuse situation.

BEFORE OPERATING

3. Operate the machine only after reading and understanding the contents of this manual. A replacement manual is available by sending complete model and serial number to: The Toro Company, 8111 Lyndale Avenue South,

Minneapolis, Minnesota 55420.

4. Never allow children to operate the vehicle. Never allow adults to operate it without proper instructions. Only trained and authorized persons should operate this vehicle. Make sure all operators are physically and mentally capable of operating the vehicle. Anyone who operates the vehicle should have a motor vehicle license.
5. This vehicle is designed to carry only you, the operator, and one passenger in the seat provided by the manufacturer. Never carry any other passengers on the vehicle.
6. Never operate the vehicle when under the influence of drugs or alcohol.
7. Become familiar with the controls and know how to stop the engine quickly.
8. Keep all shields, safety devices and decals in place. If a shield, safety device or decal is malfunctioning, illegible, or damaged, repair or replace it before operating the machine.
9. Always wear substantial shoes. Do not operate machine while wearing sandals, tennis shoes or sneakers. Do not wear loose fitting clothing or jewelry which could get caught in moving parts and cause personal injury.
10. Wearing safety glasses, safety shoes, long pants and a helmet is advisable and required by some local safety and insurance regulations.
11. Keep everyone, especially children and pets, away from the areas of operation.
12. Before operating the vehicle, always check all parts of the vehicle and any attachments. If something is wrong, stop using vehicle. Make sure problem is corrected before vehicle or attachment is operated again.

13. Since gasoline is highly flammable, handle it carefully.
- A. Use an approved gasoline container.
 - B. Do not remove cap from fuel tank when engine is hot or running.
 - C. Do not smoke while handling gasoline.
 - D. Fill fuel tank outdoors and to about one inch below top of tank (bottom of filler neck). Do not overfill.
 - E. Wipe up any spilled gasoline.
14. Check the safety interlock system daily for proper operation. If a switch should malfunction, replace the switch before operating machine. After every two years, replace the interlock switches in the safety system, whether they are working properly or not.

WHILE OPERATING

WARNING: Engine exhaust contains carbon monoxide which is an odorless, deadly poison. Carbon monoxide is also known to the State of California to cause birth defects. Do not run engine indoors or in an enclosed area.

15. Operator and passenger should remain seated whenever the vehicle is in motion. Operator should keep both hands on steering wheel, whenever possible and passenger should use the hand holds provided. Keep arms and legs within the vehicle body at all times. Never carry passengers in box or on attachments. Remember your passenger may not be expecting you to brake or turn and may not be ready.
16. Never overload your vehicle. Name plate (located under dash on passenger side) shows load limits for vehicle. Never overfill attachments or exceed the vehicle maximum gross vehicle weight.
17. When starting the engine:

- A. Sit on operator's seat and engage the parking brake.
 - B. Disengage PTO (if so equipped) and return the hand throttle lever to OFF position (if so equipped).
 - C. Move shift lever to NEUTRAL and depress clutch pedal.
 - D. Keep foot off the accelerator pedal.
 - E. **Diesel models only:** Turn ignition key to ON, hold glow switch ON (maximum 30 seconds.)
 - F. Turn ignition key to START.
18. Using the machine demands attention. Failure to operate vehicle safely may result in an accident, tip over of vehicle and serious injury or death. Drive carefully. To prevent tipping or loss of control:
- A. Use extreme caution, reduce speed and maintain a safe distance around sand traps, ditches, creeks, ramps, any unfamiliar areas or other hazards.
 - B. Watch for holes or other hidden hazards.
 - C. Use caution when operating vehicle on a steep slope. Normally travel straight up and down slopes. Reduce speed when making sharp turns or when turning on hillsides. Avoid turning on hillsides whenever possible.
 - D. Use extra caution when operating vehicle on wet surfaces, at higher speeds or with a full load. Stopping time will increase with a full load. Shift into a lower gear before starting up or down a hill.
 - E. When loading bed, distribute load evenly. Use extra caution if the load exceeds the dimensions of the vehicle/bed. Operate vehicle with extra caution when handling off-center loads that cannot be centered. Keep loads balanced and secure to prevent them from shifting.

- F.** Avoid sudden stops and starts. Do not go from reverse to forward or forward to reverse without first coming to a complete stop.
 - G.** Do not attempt sharp turns or abrupt maneuvers or other unsafe driving actions that may cause a loss of vehicle control.
 - H.** When dumping, do not let anyone stand behind vehicle and do not dump load on any one's feet. Release tailgate latches from side of box, not from behind.
 - I.** Before backing up, look to the rear and assure no one is behind. Back up slowly.
 - J.** Watch out for traffic when near or crossing roads. Always yield the right of way to pedestrians and other vehicles. This vehicle is not designed for use on streets or highways. Always signal your turns or stop early enough so other persons know what you plan to do. Obey all traffic rules and regulations.
 - K.** Never operate vehicle in or near an area where there is dust or fumes in the air which are explosive. The electrical and exhaust systems of the vehicle can produce sparks capable of igniting explosive materials.
 - L.** Always watch out for and avoid low overhangs such as tree limbs, door jambs, overhead walkways, etc. Make sure there is enough room over head to easily clear the vehicle and your head.
 - M.** If ever unsure about safe operation, STOP WORK and ask your supervisor.
- 19.** Do not touch engine, transaxle, radiator, muffler or muffler shield while engine is running or soon after it has stopped because these areas may be hot enough to cause burns.
- 20.** If the machine ever vibrates abnormally, stop immediately, turn engine off, wait for all motion to stop and inspect for damage. Repair all damage before commencing operation.
- 21.** Before getting off the seat:
- A.** Stop movement of the machine.
 - B.** Lower bed.
 - C.** Shut engine off and wait for all movement to stop.
 - D.** Set the parking brake.
 - E.** Remove key from ignition.
 - F.** Block wheels if machine is on an incline.

MAINTENANCE

- 22.** Before servicing or making adjustments to the machine, stop engine, set the parking brake and remove key from ignition to prevent accidental starting of the engine.
- 23.** Never work under a raised bed without placing bed safety support on fully extended cylinder rod.
- 24.** Make sure all hydraulic line connectors are tight, and all hydraulic hoses and lines are in good condition before applying pressure to the system.
- 25.** Keep body and hands away from pin hole leaks or nozzles that eject hydraulic fluid under high pressure. Use paper or cardboard, not hands, to search for leaks. Hydraulic fluid escaping under pressure can have sufficient force to penetrate skin and do serious damage. If fluid is injected into the skin it must be surgically removed within a few hours by a doctor familiar with this form of injury or gangrene may result.
- 26.** Before disconnecting or performing any work on the hydraulic system, all pressure in system must be relieved by stopping engine, cycling dump valve from raise to lower and/or lowering box and attachments. Place the remote hydraulics lever in the float position. If box must be in raised position, secure with safety support.
- 27.** To make sure entire machine is in good condi-

tion, keep all nuts, bolts and screws properly tightened.

28. To reduce potential fire hazard, keep the engine area free of excessive grease, grass, leaves and accumulation of dirt.
29. If the engine must be running to perform a maintenance adjustment, keep hands, feet, clothing, and any parts of the body away from the engine and any moving parts. Keep everyone away.
30. Do not overspeed engine by changing governor settings. Maximum engine speed is 3650 rpm. To assure safety and accuracy, have an Authorized TORO Distributor check maximum engine speed with a tachometer.
31. If major repairs are ever needed or assistance is required, contact an Authorized TORO Distributor.
32. To be sure of optimum performance and safety, always purchase genuine

TORO replacement parts and accessories. Replacement parts and accessories made by other manufacturers could be dangerous. Altering this vehicle in any manner may affect the vehicle's operation, performance, durability or its use may result in injury or death. Such use could void the product warranty of The TORO Company.

33. This vehicle should not be modified without the TORO Company's authorization. Direct any inquiries to:

The TORO Company
Commercial Division
Vehicle Engineering Department
300 West 82nd St.
Bloomington, Minnesota 55420 USA

Sound & Vibration Levels

Sound Levels

This unit has an equivalent continuous A-weighted sound pressure at the operator ear of: 85 dB(A) (3300-D, 88 dB(A) (4300-D) based on measurements of identical machines per 84/538/EEC.

This unit has a sound power level of 101 dB(A)/1pW, based on measurements of identical machines per procedures outlined in Directive 79/113/EEC and amendments

Vibration Levels

This unit has a vibration level of 6.0 m/s² at the posterior, based on measurements of identical machines per ISO 2631 procedures.

This unit does not exceed a vibration level of 0.5 m/s² at the posterior based on measurements of identical machines per ISO 2631 procedures.

Symbol Glossary

SAFETY ALERT SYMBOL	GENERAL HAZARD SAFETY ALERT	CRUSHING OF WHOLE BODY, APPLIED FROM ABOVE	CRUSHING OF TOES OR FOOT, FORCE APPLIED FROM ABOVE	CRUSHING OF FINGERS OR HAND, FORCE APPLIED FROM SIDE	CUTTING OF FINGERS OR HAND	CUTTING OF FOOT				
STAY A SAFE DISTANCE FROM MACHINE	STAY A SAFE DISTANCE FROM DRAINING TANK	STAY A SAFE DISTANCE FROM MACHINE	STAY A SAFE DISTANCE FROM HYDRAULIC OIL VALVE	KEEP CHILDREN A SAFE DISTANCE FROM BATTERY	BATTERY CHARGING CONDITION					
EXPLOSION	FIRE OR OPEN FLAME	FIRE, OPEN LIGHT & SMOKING PROHIBITED	EYE PROTECTION MUST BE WORN	CAUTION, TOXIC RISK	FIRST AID	FLUSH WITH WATER				
CAUSTIC LIQUIDS, CHEMICAL BURNS TO FINGERS OR HAND	DO NOT DISPOSE IN THE GARBAGE	THROWN OR FLYING OBJECTS, WHOLE BODY EXPOSURE	FUEL TANK FILL LINE	READ OPERATOR'S MANUAL	LOCK	UNLOCK	MANUAL			
WHOLE BODY ENTANGLEMENT, IMPLEMENT INPUT DRIVE LINE	DO NOT OPEN OR REMOVE SAFETY SHIELDS WHILE ENGINE IS RUNNING	SECURE LIFTING CYLINDER WITH LOCKING DEVICE BEFORE GETTING IN HAZARDOUS AREA	HAND & ARM ENTANGLEMENT, BELT DRIVE	CRUSHING OF TORSO, FORCE APPLIED FROM THE SIDE	CRUSHING OF FINGERS OR HAND, FORCE APPLIED FROM ABOVE	HIGH PRESSURE SPRAY, EROSION OF FLESH				
ENGINE START	ENGINE STOP	ENGINE LUBRICATING OIL	GLOW PLUG	ENGINE INTAKE, COMBUSTION AIR	ON/START	OFF/STOP	HEADLIGHTS	ATTACHMENT RAISE	ATTACHMENT FLOAT	LIMITED RECTILINEAR MOTION
ENGAGE	DISENGAGE	FAST	SLOW	CONTINUOUS VARIABLE, LINEAR	BRAKE SYSTEM	PARKING BRAKE	DIFFERENTIAL LOCK	CLUTCH	LIFT POINT	
PTO	HYDRAULIC PRESSURE 133 bar	HYDRAULIC OIL PRESSURE INTAKE AIR	HORN	TRANSMISSION OIL	TRANSMISSION, 3RD HIGH GEAR	TRANSMISSION, LOW	TRANSMISSION, HIGH	WEIGHT <250 kg	HOUR METER, ELAPSED OPERATING HOURS	
HOPPER CLOSED	HOPPER OPEN	CLOCKWISE ROTATION	COUNTER CLOCKWISE ROTATION	PROHIBITED ACTION OR HAZARDOUS LOCATION	DO NOT WELD	DO NOT DRILL	VEHICLE BED LOWER	VEHICLE BED RAISE		

THROWN OR FLYING OBJECTS, FACE EXPOSURE	SEVERING OF FINGERS OR HAND, ENGINE FAN	RIDING ON THIS MACHINE IS ALLOWED ONLY ON A PASSENGER SEAT & ONLY IF THE DRIVER'S VIEW IS NOT HINDERED	SHUT OFF ENGINE & REMOVE KEY BEFORE PERFORMING MAINTENANCE OR REPAIR WORK
MACHINE TIPPING	USE CAUTION ON STEEP HILLS	MACHINE TIPPING	MACHINE TIPPING
DO NOT JUMP FROM TIPPING MACHINE	HOLD TIGHT & BRACE FEET	LEAN AWAY FROM TIP	HOLD HIP RESTRAINT & HAND HOLD, BRACE FEET
STAY CLEAR OF ARTICULATION AREA WHILE ENGINE IS RUNNING	RUNOVER/BACKOVER, VEHICLE	REAR POWER TAKE OFF	
GREASE LUBRICATION POINT	GREASE LUBRICATION POINT		
MACHINE DIRECTION OF MOVEMENT	BEFORE LEAVING OPERATOR POSITION, TURN OFF IGNITION, LOCK PARKING BRAKE, DISENGAGE PTO, REMOVE KEY FROM IGNITION.		
BEFORE LEAVING OPERATOR POSITION, TURN OFF IGNITION AND REMOVE KEY.	LOAD RATING, HOPPER	LOAD RATING, TRAILER AND HITCH	
LOAD RATING	LOAD RATING	LOAD RATING, HOPPER	

Specifications

Type: 4-wheel step-through, out-front operator style, two-person vehicle. Certified to meet ANSI Specifications B56.8-1988.

Engine: Mitsubishi three-cylinder, liquid-cooled, counterbalanced, diesel engine. Rated at 17 kW (23 hp), governed to a maximum speed of 3650 rpm by a mechanical governor. 952 cc (58 cu. in.) displacement. Forced lubrication by gear pump. 12 volt electric starter. Spin-on oil filter.

Air Cleaner: Heavy duty, 2-stage, remote mounted air cleaner.

Battery: Gasoline Model: 12 volt with 650 cold-cranking Amps @ -18° C (0 degrees F.)

Cooling System: Mid-mounted radiator with removable screen and lower clean out access. Cooling system capacity is approximately 3.8 l (4 qts.) of 50/50 mixture of ethylene glycol anti-freeze.

Fuel System: Fuel tank capacity is 26.5 l (7 gallons). 12-volt electric (transistor type) fuel pump with replaceable filter. Replaceable fuel filter/water separator with 3 micron filtration.

Transmission: Rear transaxle configuration, twin axle drive. 3-speed synchromesh, H-shift pattern with high-low range providing 6 forward and 2 reverse speeds. Manual engage differential lock.

Clutch: 19 cm (7.5 inch) clutch and pressure plate.

Frame: Welded, high-strength steel channels and tubes.

Front Suspension: Independent "A" frame control arm, dual coil springs and dual shock absorbers with anti-sway bar.

Rear Suspension: DeDion axle (weight carrying axle is independent of transaxle), leaf spring and dual shock absorbers.

Steering System: Power assist, 3-position tilt steering wheel, 3-3/4 turns lock-to-lock. 17.5 to 1 ratio, 35.5 cm (14 inch) diameter steering wheel.

Tires:

Front tires: 50.8 x 25.4 cm (20" x 10")-10, 4-ply rating, rib tread.

Rear tires: 61 x 38 cm (24" x 13") x 12, 4-ply rating, turf tread.

Optional rear tires: 58.4 x 26.7 cm (23" x 10.5")-12, 6-ply rating, turf tread.

Brakes: 4-wheel hydraulic, dual safety circuit self-adjusting drum: 17.8 (7") diameter front, 20.3 (8") diameter rear. Hand-actuated parking brake actuates rear brake shoes.

Roll Over Protection System: 2-post roll over protection structure with shoulder restraint.

Hydraulics: 4 gpm pressure balanced gear pump provides hydraulic flow for power steering, lift and optional remote hydraulics. Lift control valve and dual cylinders for lifting dump box. Transaxle is used for reservoir for hydraulic system. 7.6 l (8 quart) total capacity. Spin-on 25-micron hydraulic oil filter. 100 mesh strainer in transaxle.

Seat: Twin molded cushions and backrests, with shoulder and hip restraints.

Controls: Foot-operated accelerator, clutch and brake pedals. Hand -operated shifter, differential lock, parking brake, high-low range shifter, hydraulic lift and tilt steering levers. Ignition switch, light switch, horn button, glow plug switch, and 3rd high lockout switch.

Gauges: Hour meter, fuel gauge, coolant temperature gauge. Warning light cluster includes engine low oil pressure, charge indicator, glow plug indicator. Tachometer optional.

Lights: Twin halogen headlights and single taillight. Rear stop light.

Interlocks: Clutch pedal must be depressed to start engine. PTO must be disengaged (if so equipped) to start engine.

Ground Speed:

Forward Speeds with 61 cm (24") Tires-
High range: 12.2/18.5/19.1 kmh (7.6/11.5/19.8 mph)
Low range: 4.7/7.2/12.4 kmh (2.9/4.5/7.7 mph)

Reverse Speeds with 61 cm (24") Tires-
High range: 11.6 kmh (7.2 mph)
Low range: 4.5 kmh (2.8 mph)

General Specifications (approx.):

Base Weight:
Dry w/o flatbed 522.5 kg (1400 lbs.) 2-wd
597kg (1600 lbs.) 4-wd

Rated Capacity: 970 kg*(2,600 lbs)
*includes 74.6 (200 lb.) operator and 74.6 (200 lb.) passenger and loaded attachment.

Maximum. Gross Vehicle Weight:
1,493 kg (4,000 lbs.) 2-wd
1,568 kg (4200 lbs.) 4-wd

Tow Capacity
Tongue weight 74.6 kg (200 lbs.)
Maximum trailer weight 560 kg (1,500 lbs.)

Overall Width: 160 cm (63")

Overall Length: 316 cm (124.5" without bed)
322.3 cm (127" with full bed)
338 cm (133") with 2/3 bed in rear mounting location

Height: (75") to top of the Roll Over Protection System

Ground Clearance: 17.7 cm (7") with no load

Wheel Base: 177.8 cm (70")

Wheel Tread: (center line to center line)
Front 116.8 cm (46")
Rear 126.2 (49.7") (w 24" Rear Tire)
121.6 (47.7") (w 23" Rear Tire)

Specifications and design subject to change without notice.

Before Operating

CHECK CRANKCASE OIL

The engine is shipped with oil in the crankcase; however, the level of oil must be checked before and after the engine is first started.



CAUTION

Before servicing or making adjustments to the machine, stop the engine, set the parking brake and the remove key from the switch. Any load material must be removed from the bed or other attachment before working under the raised bed. Always rotate the safety support to the down position before working under the raised bed.

1. Position the machine on a level surface.
2. Remove the dipstick and wipe it with a clean cloth. Insert the dipstick into tube and make sure it is seated fully. Remove the dipstick and check the level of oil. If the oil level is low, remove the filler cap and add enough oil to raise the level to the FULL mark on the dipstick.

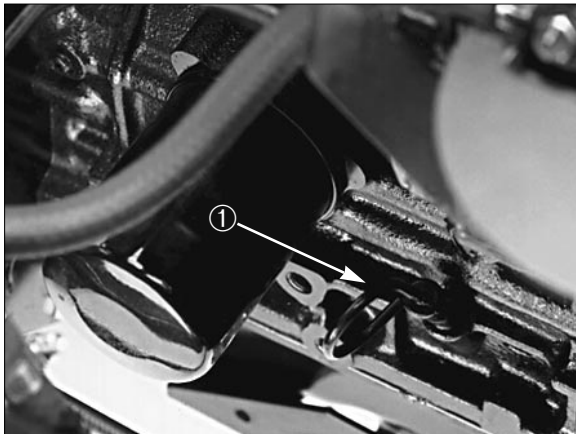


Figure 1

1. Dipstick

3. Diesel engines use any high-quality detergent oil having the American Petroleum Institute—API—“service classification” CD.
4. Pour oil into the fill opening until the oil level is up to the “FULL” mark on the dipstick. Add the

oil slowly and check the level often during this process. DO NOT OVERFILL.

IMPORTANT: Check the level of oil every 8 operating hours or daily. Change the oil and filter initially after the first 50 hours of operation, thereafter, change the oil and filter every 100 hours. However, change the oil more frequently when the engine is operated in extremely dusty or dirty conditions.

5. Install the dipstick firmly in place.

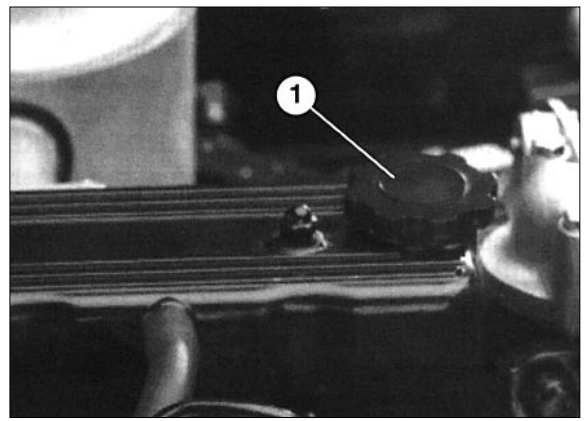


Figure 2

1. Filler cap

FILL THE FUEL TANK

The engine runs on No. 2-D or 1-D automotive type diesel fuel with a minimum cetane rating of 40.

Note: Higher cetane rated fuel may be required if the machine is to be used at high altitudes and low-atmospheric temperatures.

1. Clean the area around the fuel tank cap.
2. Remove the fuel tank cap.
3. Fill the tank to about one inch below top of the tank, (bottom of the filler neck). DO NOT OVERFILL. Then install the cap.



Figure 3

1. Fuel tank cap

4. Wipe up any fuel that may have spilled to prevent a fire hazard.

DANGER

Because fuel is flammable, caution must be used when storing or handling it. Do not fill the fuel tank while the engine is running, hot or when the machine is in an enclosed area. Vapors may build up and be ignited by a spark or flame source many feet away. **DO NOT SMOKE** while filling the fuel tank to prevent the possibility of an explosion. Always fill the fuel tank outside and wipe up any spilled fuel before starting the engine. Use a funnel or spout to prevent spilling, and fill the tank no higher than **2.5 cm (one inch)** below top of the tank, (bottom of the filler neck). **DO NOT OVER FILL.**

Store fuel in a clean safety approved container and keep the cap on the container. Keep fuel in a cool, well-ventilated place; never in an enclosed area such as a hot storage shed. To assure volatility, do not buy more than a 30-day supply of gasoline, or a 6-month supply of diesel fuel.

CHECK THE COOLING SYSTEM

Capacity of the cooling system is approximately 3.8 liters (4 qts.).

The cooling system is filled with a 50/50 solution of water and permanent ethylene glycol anti-freeze.

Check the level of coolant at beginning of each day before starting the engine.

1. Park the machine on a level surface.
2. Check coolant level. Coolant should be up to the COLD line on the reserve tank when the engine is cold.

CAUTION

If the engine has been running, pressurized hot coolant can escape if radiator cap is removed and cause burns. Allow the engine to cool at least 15 minutes or until the radiator cap is cool enough to touch without burning hand.

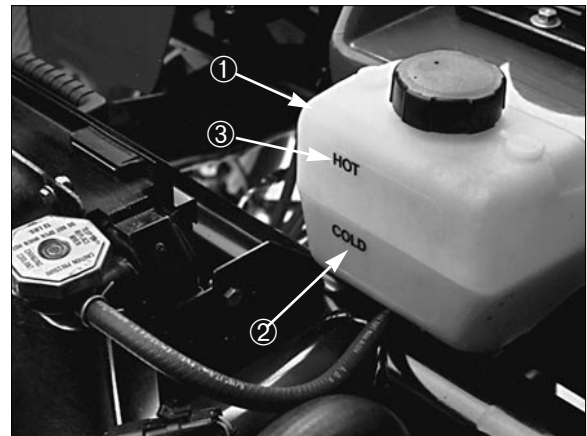


Figure 4

1. Reserve tank
2. Cold line
3. Hot line

3. If coolant is low, remove the reserve tank cap and add a 50/50 mixture of water and permanent ethylene glycol anti-freeze. **DO NOT OVER-FILL.**
4. Install the reserve tank cap.

CHECK THE TRANSAXLE / HYDRAULIC FLUID

The transaxle reservoir is filled with Dexron II ATF. Check the level before the engine is first started and every 8 hours or daily, thereafter. Capacity of the system is 7.1 l (7.5 qt).

1. Position the vehicle on a level surface.

- Clean the area around the dipstick.
- Unscrew the dipstick from the top of the transaxle and wipe it with a clean cloth.

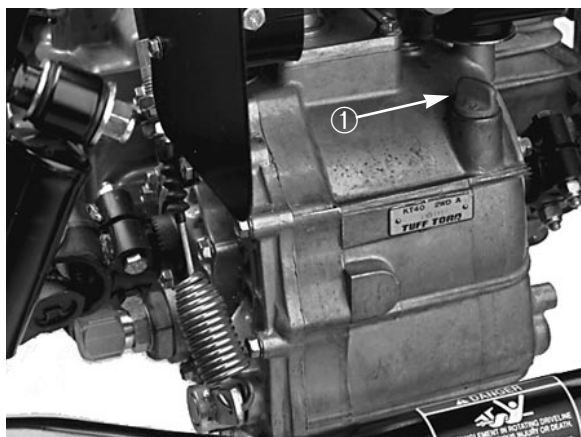


Figure 5

1. Dipstick

- Screw the dipstick into the transaxle and make sure it is seated fully. Unscrew the dipstick and check fluid level. Fluid should be up to the top of flat portion of the dipstick. If the level is low, add enough fluid to achieve the proper level.

CHECK FRONT DIFFERENTIAL OIL

Four-Wheel Drive Model Only

The differential is filled with 10W30 oil. Check the level of oil every 100 hours or monthly. Capacity of the system is 0.95 l.

- Position the vehicle on a level surface.
- Clean the area around the fill plug on the side of the differential
- Remove the fill plug and check the level of oil. Oil should be up to the hole. If it is low, add 10W30 oil.
- Install the fill plug.

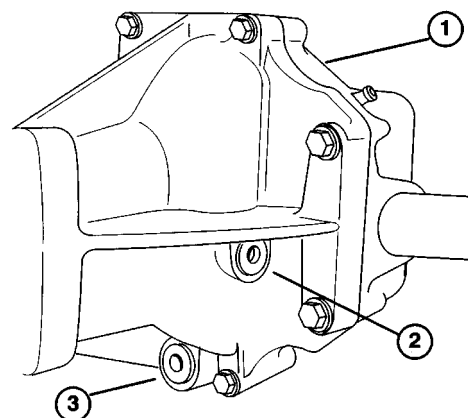


Figure 6

- Front differential
- Fill plug
- Drain plug

CHECK WHEEL NUT TORQUE

WARNING

Failure to maintain proper torque could result in failure or loss of wheel and may result in personal injury. Torque front and rear wheel nuts to 61–88 Nm after 1–4 hours of operation and again after 10 hours of operation and every 200 hours thereafter.

CHECK TIRE PRESSURE

Check tire pressure every 8 hours or daily.

Maximum air pressure in the front tires is 1,4 kg/cm² and 2,3 kg/cm² in the rear (23") tires. Rear (24") tire pressure is 18 psi maximum.

- The air pressure needed is determined by the payload carried.
- The lower the air pressure, the less the compaction and tire marks are minimized. Lower pressure should not be used for heavy payloads at high speeds. Tire damage may result.
- Higher pressures should be used for heavier payloads at higher speeds.

Do not exceed the maximum pressure. Use the fol-

lowing charts to determine correct tire pressures for tire size and payload of vehicle.

CHECK BRAKE FLUID

The brake fluid reservoir is shipped from the factory filled with brake fluid. Check the level before the engine is first started and every 8 hours or daily, thereafter.

1. Park the machine on a level surface.
2. Fluid level should be up to the FULL line on reservoir.
3. If the fluid level is low, clean the area around cap, remove the reservoir cap and fill to proper level. DO NOT OVERFILL.

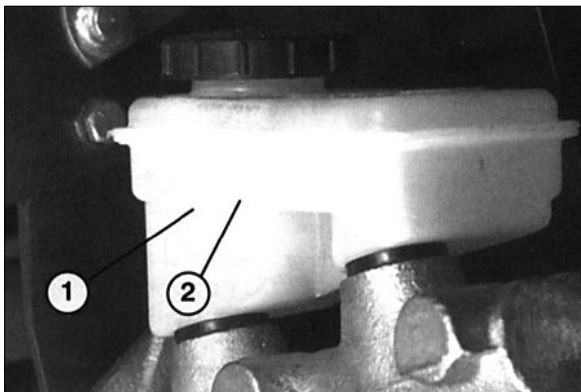
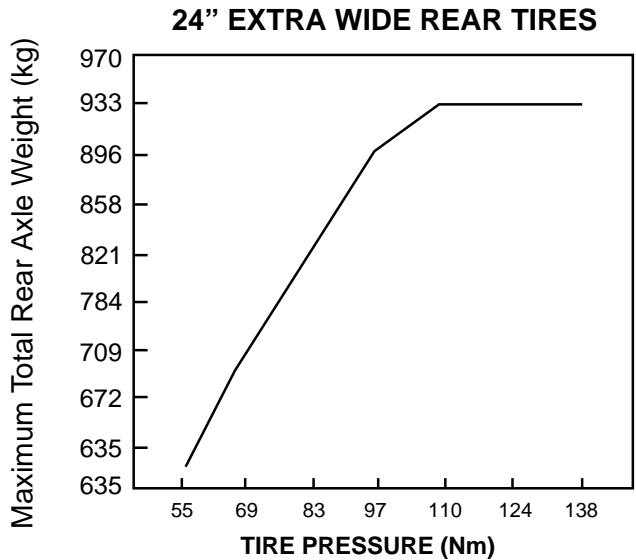
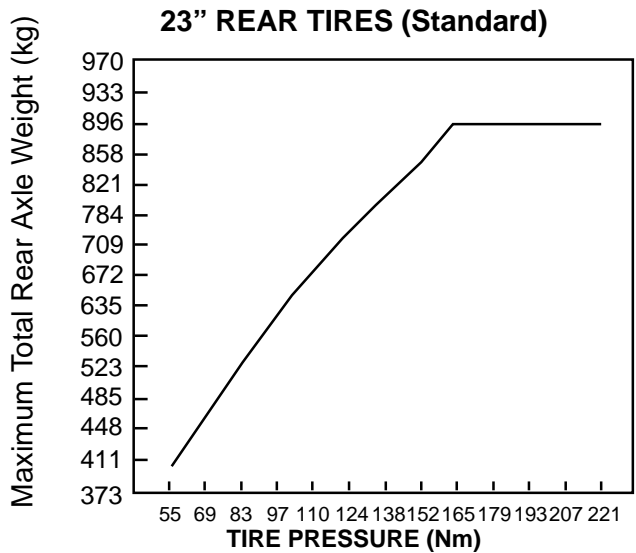
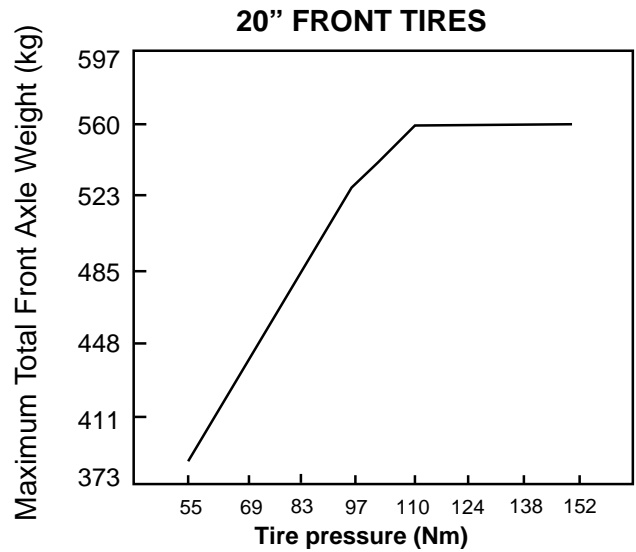


Figure 7

1. Brake fluid reservoir
2. Full line



Controls

Accelerator Pedal (Fig. 8)—Used to vary engine and ground speed when the transmission is in gear. Depressing the pedal increases engine RPM and ground speed. Releasing it will decrease engine RPM and ground speed.



Figure 8

1. Accelerator pedal
2. Clutch pedal
3. Brake pedal

Clutch Pedal (Fig. 8)—The clutch pedal must be fully depressed to disengage the clutch when starting the engine or shifting transmission gears. Release the pedal smoothly when the transmission is in gear to prevent unnecessary wear on the transmission and other related parts.

IMPORTANT: Do not ride the clutch pedal during operation. The clutch pedal must be fully out or the clutch will slip causing friction and wear. Never hold the vehicle stopped on a hill using the clutch pedal. Damage to the clutch may occur.

Brake Pedal (Fig. 8)—The brake pedal is used to apply service brakes to stop or slow vehicle.

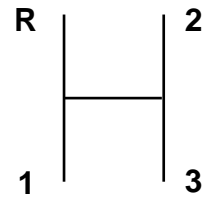


CAUTION

Worn or misadjusted brakes may result in personal injury. If the brake pedal travels to within 2.5 cm of the vehicle floor board, the brakes must be adjusted or repaired.

Gear Shift Lever (Fig. 9)—Fully depress the clutch pedal and move shift lever into desired gear selection. A diagram of the shift pattern is indicated below.

Shift Pattern



IMPORTANT: Do not shift the transaxle to the reverse or forward gear unless the vehicle is standing still. Damage to the transaxle may occur.



CAUTION

Down shifting from too high a speed can cause the rear wheels to skid and can result in loss of vehicle control. Shift smoothly to avoid grinding gears.

Differential Lock (Fig. 9)—Allows rear axle to be locked for increased traction. Differential lock may be engaged with vehicle in motion. Move the lever forward and to the right to engage the lock.

Note: Vehicle motion plus a slight turn is required to engage or disengage the differential lock.



WARNING

Turning with the differential lock on can result in loss of vehicle control. Do not operate with differential lock on when making sharp turns or at high speeds.

Parking Brake (Fig. 9)—Whenever the engine is shut off, the parking brake must be engaged to prevent accidental movement of the vehicle. To engage the parking brake, pull back on the lever. To disengage, push lever forward. Make sure the parking brake is released before moving the vehicle. If the vehicle is parked on a steep grade, make sure the parking brake is applied. Also, shift the transmission into 1st gear on an uphill grade or into reverse on a down hill grade. Place chocks at the down hill side

of wheels.

Hydraulic Lift (Fig. 9)—Raises and lowers bed. Move rearward to raise, forward to lower.



Figure 9

1. Gear shift lever
2. Differential lock
3. Parking brake
4. High-low range shifter
5. Hydraulic lift
6. Hydraulic lift lock
7. Passenger hand hold
8. PTO lever (optional)

IMPORTANT: When lowering the bed, hold the lever in forward position for 1 or 2 seconds after the bed contacts the frame to secure it in the lowered position.



CAUTION

When raising or lowering a bed or implement, hydraulic oil will bypass over a relief valve, stopping power assist to the steering, which increases steering effort. Release the lift levers to NEUTRAL immediately after the bed or implement is raised or lowered to regain assist to the power steering.

IMPORTANT: Do not hold the hydraulic lift in either the raise or lower position for more than 5 seconds after the cylinders have reached the end of their travel. The hydraulic pump may over-heat, resulting in pump damage.

Hydraulic Lift Lock (Fig. 9)—Locks the lift lever so the hydraulic cylinders do not operate when vehicle is not equipped with a bed.

Passenger Hand Hold (Fig. 9)—On the left side of

the passenger seat.

High-Low Range Shifter (Fig. 9)—Adds three additional speeds for precise speed control.

- A. The vehicle must be completely stopped before shifting between High and Low range.
- B. Shift only on level ground.
- C. Depress the clutch pedal fully.
- D. Move the lever fully forward for High and fully rearward for Low.

HIGH is for higher speed driving on level, dry surfaces with light loads. **LOW** is for low-speed driving. Use this range when greater than normal power or control is required. For example, steep grades, difficult terrain, heavy loads, slow speed but high engine speed (spraying).

NOTE: There is a location between HIGH and LOW in which the transaxle is in neither range. This should not be used as a neutral position because the vehicle could move unexpectedly if the HIGH-LOW shifter is bumped and the gear shift lever is in gear.

Tilt Steering Lever (Fig. 10)—Lever on right side of the console lets you adjust the steering wheel for your comfort.

Horn Button (Fig. 10)—Pressing this button activates the horn.

Coolant Temperature Gauge (Fig. 10)—Registers coolant temperature in the engine. Operates only when the ignition switch is in the On position.

Engine Low Oil Pressure Light (Fig. 10)—This light glows if engine oil pressure drops below a safe level while the engine is running. If the light flickers or remains ON, stop the vehicle, turn off the engine and check the oil level. If the oil level was low, but adding oil does not cause light to go out when the engine is restarted, turn the engine off immediately and contact your local TORO distributor for assistance.



Figure 10

1. Tilt steering lever
2. Ignition switch
3. Horn button
4. Coolant temp. gauge
5. Engine low oil pressure light
6. Charge indicator
7. Glow plug switch
8. Glow plug indicator

IMPORTANT: Do not operate the vehicle until repair is complete. Failure to observe this precaution may result in damage to the engine.

Glow Plug Switch and Indicator (Fig. 10)—The glow plug is used to preheat the engine cylinders before starting a cold engine. For cold starting, push the switch lever upward and hold it there while watching the glow plug indicator. The indicator will glow orange when the glow plugs are activated.

Ignition Switch (Fig. 10)—The ignition switch, used to start and stop the engine, has three positions: OFF, RUN and START. Turn the key clockwise—START position—to engage the starter motor. Release the key when the engine starts. The key will move automatically to the ON position. To shut the engine off, turn the key counterclockwise to OFF.

Charge Indicator (Fig. 10)—Illuminates when the battery is being discharged. If light illuminates during operation, stop the vehicle, turn Off the engine and check for possible causes, such as the alternator belt.

IMPORTANT: If the alternator belt is loose or broken, do not operate the vehicle until adjustment or repair is complete. Failure to observe this precaution may result in damage to the engine.

To check warning light operation:

1. Apply the parking brake.
2. Turn the ignition key to “ON”, but do not start the engine. The charge indicator and oil pressure lights should glow. If any light does not function, either a bulb is burned out or there is a malfunction in the system which must be repaired.

Hour Meter (Fig. 11)—Indicates the total hours of machine operation. The hour meter starts to function whenever the key switch is turned to the “ON” position.

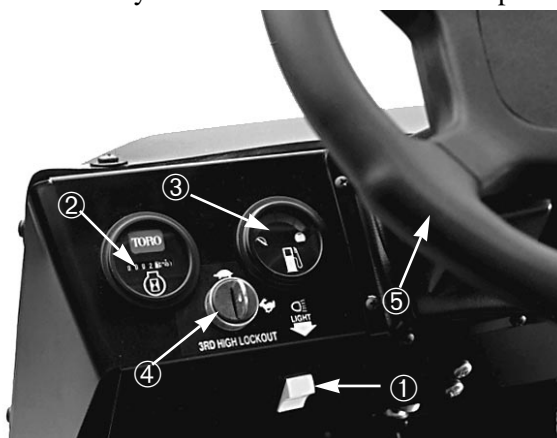


Figure 11

1. Light switch
2. Hour meter
3. Fuel gauge
4. 3rd High lockout switch
5. Steering wheel

tion.

Light Switch (Fig. 11)—Toggle this switch to activate the headlights. Push to turn lights “ON”.

Fuel Gauge (Fig. 11)—Shows the amount of fuel in the tank. Operates only when the ignition switch is in the “ON” position.

3rd High Lockout Switch (Fig. 11)—Moving this switch to the slow position and removing the key will prevent use of third gear when in the High range. The engine will shut off if the shift lever is moved to third gear when in the High range. Install the key with its teeth pointing downward. Push the key in to turn it. The key is removable in either position.

Steering Wheel (Fig. 11)—Turns the vehicle. If the engine stalls or the power assist fails, vehicle steering will require greater effort.

Tachometer (optional-not shown)—Indicates engine RPM. Gear selection graphics indicate speed.

Remote Hydraulic Lever (optional-not shown)—Controls hydraulic flow to optional quick rear couplers.

Operating

PRE-STARTING CHECKS

Safe operation begins before taking the vehicle out for a day's work. You should check these items each time:

1. Check tire pressure.
Note: These tires are different than car tires, they require less pressure to minimize turf compaction and damage.
2. Check all fluid levels and add the appropriate amount of Toro-specified fluids, if any are found to be low.
3. Check brake pedal operation.
4. Check to see that the lights and horn are working.
5. Turn the steering wheel to the left and right to check steering response.
6. Check for oil leaks, loose parts and any other noticeable malfunctions. Make sure engine is off and all moving parts have stopped before checking for oil leaks, loose parts and other malfunctions.

If any of the above items are not correct, notify your mechanic or check with your supervisor before taking the vehicle out for the day. Your supervisor may want you to check other items on a daily basis, so ask what your responsibilities are.

STARTING THE ENGINE

IMPORTANT: The fuel system must be bled if any of the following situations have occurred.

- A. Initial start up of a new engine.
- B. Engine has stopped due to lack of fuel.
- C. Maintenance has been performed on fuel system components; i.e., fuel filter replaced, separator serviced, etc.

Refer to Bleeding The Fuel System.

1. Sit on the seat and engage the parking brake.
2. Disengage the PTO Power Take Off (if so equipped) and return the hand throttle lever to the OFF position (if so equipped).
3. Move the shift lever to NEUTRAL and depress the clutch pedal.
4. When the temperature is below 15° C, push the glow plug switch upward to the ON position and hold it there for the suggested interval shown below.

Note: Do not exceed 30 seconds of continuous use or the glow plug may burn out prematurely.

Temperature	Preheat time (sec)
Above 5° C	10
+5°C to -5°C	20
Below -5° C	30

5. Insert the key into the ignition switch and turn it clockwise to start the engine. Release the key when the engine starts.

IMPORTANT: To prevent overheating the starter motor, do not engage the starter longer than 20 seconds. After 20 seconds of continuous cranking, wait 60 seconds before engaging the starter motor again.

BLEEDING THE FUEL SYSTEM

1. Loosen the air bleed screw on top of the fuel filter/water separator (Fig. 12).
2. Turn key in ignition switch to the ON position. The electric fuel pump will begin operation, forcing air out around air bleed screw. Leave the key in the ON position until a solid stream of fuel flows out around the screw. Tighten the screw and turn the key to OFF.

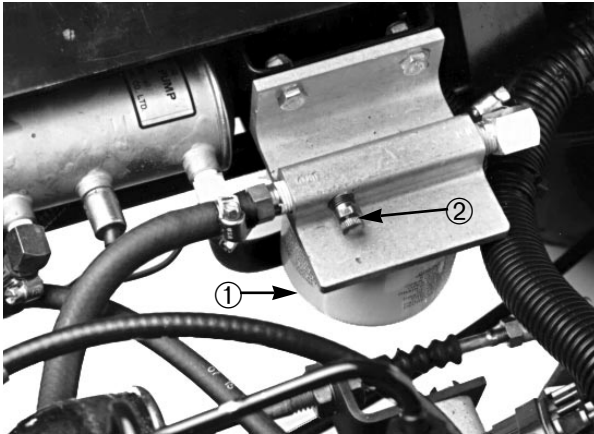


Figure 12

1. Fuel filter/water separator
2. Air bleeder screw

3. Open the air bleed screw on the fuel injection pump (Fig. 13) with a 10-mm wrench.
4. Turn the ignition key to ON. The electric fuel pump will begin operation, forcing air out around air bleed screw on fuel injection pump. Leave the key in the ON position until a solid stream of fuel flows out around the screw. Tighten the screw and turn the key to OFF.

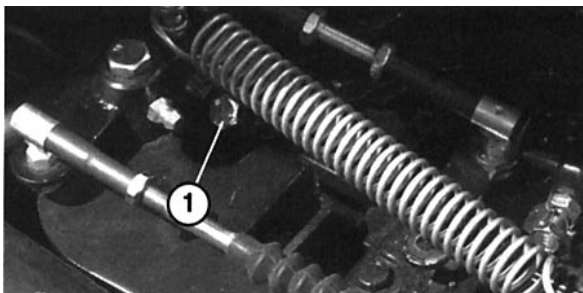


Figure 13

1. Fuel injection pump bleeder

DRIVING THE VEHICLE

1. Release the parking brake.
2. Fully depress the clutch pedal.
3. Move the gear shift lever to 1st gear.
4. Release the clutch pedal smoothly while depressing the accelerator pedal.
5. When the vehicle gains enough speed, remove your foot from the accelerator pedal, fully

depress the clutch pedal, move gear shift lever to the next gear and release the clutch pedal while depressing the accelerator pedal. Repeat this procedure until desired speed is attained. Stop the vehicle before shifting to reverse and forward.

Note: Avoid long periods of engine idling.

Note: Leaving the ignition switch in the “ON” position for long periods of time without running the engine will discharge the battery.

IMPORTANT: Do not keep the front wheels turned against the right or left stops for longer than 5 seconds. The hydraulic pump may over heat, resulting in pump or steering gear damage.

6. Do not push or tow the vehicle to get it started. Damage to the drive train could result.

STOPPING THE VEHICLE

To stop the machine, remove your foot from the accelerator pedal, depress the clutch pedal, then depress the brake pedal.

STOPPING THE ENGINE

To stop the engine, turn the ignition key to OFF and engage the parking brake. Remove the key from the switch to prevent accidental starting.

NEW VEHICLE BREAK-IN

Your Workman is ready for work. To provide top performance and long vehicle life, follow these guidelines for the first 100 operating hours.

- Check the fluid and engine oil levels regularly and be alert for indications of overheating in any part of the vehicle.
- After starting a cold engine, let it warm up for about 15 seconds before shifting into gear.
- Avoid racing the engine.
- Avoid situations requiring hard stops, especially when hauling heavy loads or pulling a trailer. It is necessary to fully break-in a new set of brake linings to achieve full braking performance. Follow this guideline whenever new linings are installed.
- Vary vehicle speeds during operation. Avoid excessive idling. Avoid fast starts and quick stops.
- A break-in oil for the engine is not required. The original engine oil is the same type specified for regular oil changes.
- Refer to *Maintenance* section for any special low hour checks.

CHECKING THE INTERLOCK SYSTEM



CAUTION

The interlock switches are for the operator's protection, so do not bypass them. Check operation of the switches daily to assure the system is operating. If a switch is malfunctioning replace it before operating. Regardless of whether switches are operating properly, replace them every two years to assure maximum safety. Also, do not rely entirely on safety switches—use common sense!

The interlock system prevents the engine from cranking or starting unless the clutch pedal is

depressed or PTO (if so equipped) is disengaged.

To verify the clutch interlock switch operation:

1. Sit on the seat and engage the parking brake. Move the shift lever to the NEUTRAL position. Disengage the PTO (if so equipped).
2. Without depressing the clutch pedal, turn the key clockwise to the START position.
3. If the engine cranks or starts, there is a malfunction in the interlock system that must be repaired before operating the vehicle.

OPERATING CHARACTERISTICS

The vehicle is designed with safety in mind. It has four wheels for added stability. It uses familiar automotive style controls, including the steering wheel, brake pedal, clutch pedal, accelerator pedal, and gear shifter. It is important to remember, however, that this vehicle is not a passenger car. It is a work vehicle and not designed for use on roadways.

The vehicle has special tires, low-gear ratios, a locking differential, and other features that give it extra traction. These features add to the versatility of the vehicle but they can also get you into dangerous situations. You must remember that the vehicle is not a recreation vehicle or an all-terrain vehicle. And it is definitely not meant for "stunt driving". It is a work vehicle, not a play vehicle. Do not allow children should to operate the vehicle. Anyone who operates the vehicle should have a motor vehicle license.

If you are not experienced at driving the vehicle, practice driving it in a safe area away from other people. Be sure you are familiar with all the vehicle's controls, particularly those used for braking, steering and transmission shifting. Learn how your vehicle handles on different surfaces. Your operating skills will improve with experience, but as in operating any vehicle, take it easy as you begin. Be sure you know how to stop quickly in an emergency. If you need help, ask your supervisor for assistance.

Many factors contribute to accidents. You have control over several of the most important. Your actions, such as driving too fast for conditions, braking too fast, turning too sharp, and combinations of these, are frequent causes of accidents.

One of the major causes of accidents is fatigue. Be sure to take occasional breaks. It is important that you stay alert at all times.

Never operate the vehicle, or any equipment, if you are under the influence of alcohol or other drugs. Even prescription drugs and cold medicines can cause drowsiness. Read the label on the medicine or check with your doctor or pharmacist if you are unsure about a certain medication.

One of the most important rules to follow is to go slower in unfamiliar areas. It is surprising how much damage and injury common things can cause. Tree branches, fences, wires, other vehicles, tree stumps, ditches, sand traps, streams, and other things found in most parks and golf courses can be hazardous to the operator and passenger.

Avoid driving when it is dark, especially in unfamiliar areas. If you must drive when it is dark, be sure to drive cautiously, use the head lights, and even consider adding additional lights.

PASSENGERS

Whenever you have a passenger riding in the vehicle make sure he or she is holding on securely. Drive slower and turn less sharply because your passenger does not know what you intend to do next and may not be prepared for turning, stopping, accelerating, and bumps.

You and your passenger should remain seated at all times, keeping arms and legs inside the vehicle. The operator should keep both hands on steering wheel, whenever possible and passenger should use the hand holds provided.

There should never be passengers in the dump box or on any attachments. The vehicle is meant to have one driver and only one passenger-no more.

SPEED

Speed is one of the most important variables leading to accidents. Driving too fast for the conditions can cause you to lose control and have an accident.

Speed can also make a minor accident worse. Driving head-on into a tree at slow speed can cause injury and damage, but, driving into a tree at high speed can destroy the vehicle and kill you and your passenger.

Never drive too fast for the conditions. If there is any doubt about how fast to drive, slow down.

When using heavy attachments (more than 500 kg), such as sprayers, top dressers, or spreaders, etc., operating speeds should be restricted by moving 3rd high lockout switch to slow position.

TURNING

Turning is another important variable leading to accidents. Turning too sharply for the conditions can cause the vehicle to lose traction and skid, or even tip over.

Wet, sandy and slippery surfaces make turning more difficult and risky. The faster you are going, the worse this situation becomes so, slow down before turning.

During a sharp turn at higher speeds, the inside rear wheel may lift off of the ground. This is not a flaw in the design, it happens with most four wheel vehicles including passenger cars. If this happens, you are turning too sharply for the speed at which you are traveling. Slow down!

BRAKING

It is good practice to slow down before you get near an obstacle. This gives you extra time to stop or turn away. Hitting an obstacle can damage the vehicle and its contents. More important, it can injure you and your passenger.

Gross vehicle weight has a major impact on your

ability to stop and/or turn. Heavier loads and heavier attachments make a vehicle harder to stop or turn. The heavier the load, the longer it takes to stop.

The braking characteristics also change with no bed or attachment on the vehicle. Fast stops may cause the rear wheels to lock up before the front wheels lock up, which may affect the control of the vehicle. It is a good idea to decrease vehicle speed with no bed or attachment.

Turf and pavement are much slipperier when they are wet. It can take 2 to 4 times as long to stop on wet surfaces as on dry surfaces.

If you drive through standing water deep enough to get the brakes wet, they will not work well until they are dry. After driving through water, you should test the brakes to make sure they work properly. If they do not, drive slowly in first gear while putting light pressure on the brake pedal. This will dry the brakes.

Do not downshift for braking on icy or slippery surfaces (wet grass) or while going down a hill because engine braking may cause skidding and loss of control. Shift to a lower gear before starting down a hill.

TIPOVERS

The TORO WORKMAN® is equipped with a roll bar, hip restraints, shoulder restraints and hand hold. The Roll Over Protection System used on the vehicle will reduce the risk of serious or fatal injury in the unlikely event of a tipover, although the system cannot protect the operator from all possible injuries.

Replace a damaged Roll Over Protection System; do not repair or revise. Any alteration of the Roll Over Protection System must be approved by the manufacturer.

The best way to prevent accidents involving utility vehicles is through continuous supervision and training of operators and paying constant attention to the area in which vehicle is being operated.

The best way for operators to prevent serious injury or death to themselves or others, is to familiarize

themselves with the proper operation of the utility vehicle, to stay alert and to avoid actions or conditions which could result in an accident. In the event of a tip over, the risk of serious injury or death will be reduced if the operator is using the Roll-Over Protection System and follows the instructions provided.

HILLS



WARNING

Tipping or rolling the vehicle on a hill will cause serious personal injury.

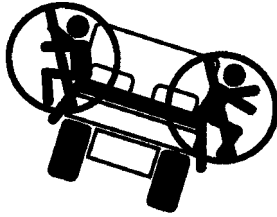
- If the engine stalls or you lose headway on a hill, never attempt to turn the vehicle around.
- Always back straight down a hill in reverse gear.
- Never back down in neutral or with the clutch depressed, using only the brakes.
- Never drive across a steep hill, always drive straight up or down.
- Avoid turning on a hill
- Don't "drop the clutch" or slam on the brakes. Sudden speed change can initiate tipover.

Use extra care when on hills. Never go on hills that are extremely steep. Stopping while going down a hill will take longer than on level ground. Turning while going up or down a hill is more dangerous than turning on the level. Turns while going down hill, especially with the brakes on, and, turning up hill while traversing a hill are particularly dangerous. Even at a slow speed and without a load, tip overs are more likely if you turn on a hill.

Slow down and shift into a lower gear before starting up or down a hill. If you have to turn while on a hill, do it as slowly and cautiously as possible. Never make sharp or fast turns on a hill.

If you stall or begin to lose headway while climbing a steep hill, quickly apply the brakes, shift to neutral, restart the engine and shift to reverse. At idle speed, engine and transaxle drag will aid the brakes in controlling the vehicle on the hill and help you back

In case of tipover



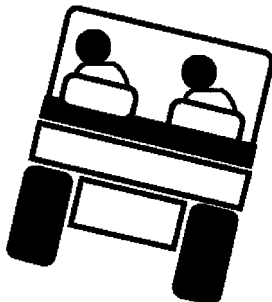
Don't jump



Operator: Hold tight and brace feet.



Passenger: Hold hip restraint and hand hold, brace feet



Lean away



Tipover can occur if the truck is improperly operated. Injury or death could result.

down the hill more safely.

Reduce the weight of the load if it is a steep hill or if the load has high center of gravity. Remember, loads can shift. Secure them.

Note: The Workmen have excellent hill climbing ability. The differential lock will increase this ability. Hill climbing traction can also be increased by adding weight to the rear of the vehicle in one of the following ways:

- Adding weight to inside of box, making sure it is secured.
- Mounting wheel weights to rear wheels.
- Adding liquid ballast (calcium chloride) to rear tires.
- Traction will increase with no passenger in front seat.

LOADING AND DUMPING

The weight and position of the cargo and passenger can change the vehicle center of gravity and vehicle handling. To avoid loss of control resulting in personal injury, follow these guidelines.

Do not carry loads which exceed the load limits described on the vehicle weight label.

The vehicle has several combinations of boxes, platforms, and attachments available. These can be used

in various combinations that allow for maximum capacity and versatility. The full-sized box is 1.4m wide by 1.64 m long and can hold up to 900 kg of evenly distributed cargo.

Loads vary in how they are distributed. Sand spreads out evenly and quite low. Other items, such as bricks, fertilizer or landscape timbers, stack higher in the box.



WARNING

The bed will lower whenever the dump lever is pushed down, even when the engine is off. Turning off the engine will NOT prevent the box from lowering. Always place the safety support on extended lift cylinder to hold box up if you are not going to lower it right away.



WARNING

When lowering the box it is possible for you or others to get their hands or other body parts in the wrong spot and have them crushed. Take extra care that no one will get hurt. Also, do not dump on anyone's feet. It may seem funny but, it can be dangerous.

The height and weight of the load has a significant influence on tip overs. The higher a load is stacked, the more likely the vehicle is to tip over. You may find that 900 kg stacks too high for safe operation. Reducing the total weight is one way to reduce the risk of a tip over. Distributing the load as low as possible is another way to reduce the risk of a tip over.

If the load is positioned toward one of the sides, it will make the vehicle much more likely to tip over on that side. This is especially true when turning if the load is on the outside of the turn.

Never position heavy loads behind the rear axle. If the load is positioned so far to the rear that it is behind the rear axle, it will reduce the weight on the

front wheels and this will reduce steering traction. With the load all the way to the back, the front wheels can even come off of the ground when going over bumps or up a hill. This will result in a loss of steering and may lead to the vehicle tipping over.

As a general rule, position the weight of the load evenly from front to rear and evenly from side to side.

If a load is not secured, or you are transporting a liquid in a large container such as a sprayer, it can shift. This shifting happens most often while turning, going up or down hills, suddenly changing speeds or while driving over rough surfaces. Shifting loads can lead to tip overs. Always secure loads so that they do not shift. Never dump the load while the vehicle is sideways on the hill.

Heavy loads increase stopping distance and reduce your ability to turn quickly without tipping over.

The rear cargo space is intended for load carrying purposes only, not for passengers.

USING THE DIFFERENTIAL LOCK

The differential lock increases the vehicle's traction by locking the rear wheels so one wheel will not spin out. This can help when you have heavy loads to haul on wet turf or slippery areas, going up hills and on sandy surfaces.

It is important to remember however, that this extra traction is only for temporary limited use. Its use does not replace the safe operation, already discussed concerning steep hills and heavy loads.

The differential lock causes the rear wheels to spin at the same speed. When using differential lock your ability to make sharp turns is somewhat restricted and may scuff the turf. Use the differential lock only when needed, at slower speeds and only in first or second gear.



WARNING

Tipping or rolling the vehicle on a hill will cause serious injury.

- The extra traction available with the differential lock can be enough to get you into dangerous situations such as climbing slopes that are too steep to turn around. Be extra careful when operating with the differential lock on, especially on steeper slopes.
- If the differential lock is on when making a sharp turn at a higher speed and inside rear wheel lifts off the ground, there may be a loss of control which could cause the vehicle to skid (Refer to *Differential Lock Operation*). Use the differential lock only at slower speeds.

FOUR-WHEEL DRIVE

Four Wheel Drive Model Only

The “Automatic On Demand” four-wheel drive feature on this vehicle does not require operator activation. The front-wheel drive is not engaged (no power delivered to the front wheels) until the rear wheels begin to lose traction. When the clutch senses the rear wheels slipping, it delivers power to the front wheels until the rear wheels have enough traction to move the vehicle without slipping. Once this occurs, the system reverts to 2-wheel drive. This occurs in both forward and reverse. However, when turning, the rear wheels will slip slightly more before power is delivered to the front wheels.

TRANSPORTING THE VEHICLE

For moving the vehicle long distances, a trailer should be used. Make sure the vehicle is secured to the trailer.

TOWING THE VEHICLE

In case of emergency, the vehicle can be towed for a short distance. However, Toro does not recommend this as a standard procedure.

Towing the vehicle is a two-person job. Affix a tow line to the holes in the front frame member. Move the shifter to Neutral and release the parking brake. If the machine must be moved a considerable distance, transport it on a truck or trailer.

Note: The power steering will not function, making it difficult (increase effort) to steer.

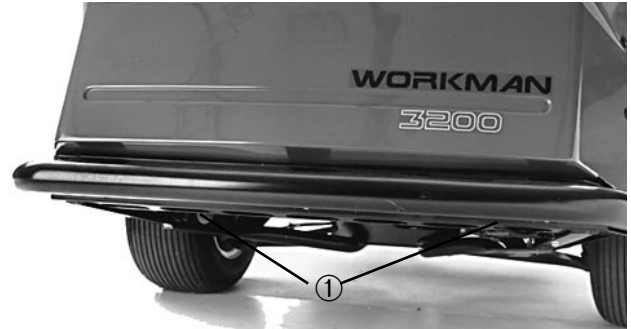


Figure 14

1. Eye holes in frame

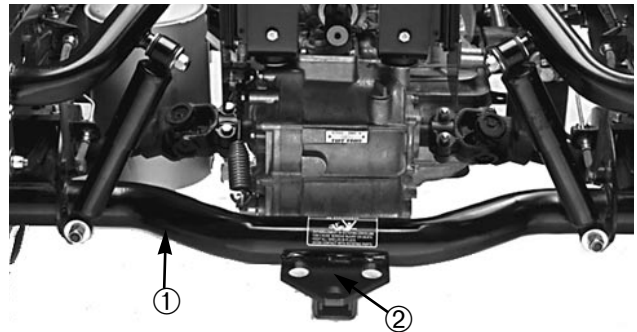


Figure 15

1. Axle tube

2. Hitch plate location (optional)

TRAILER TOWING



WARNING

Towing at excessive speeds could cause the vehicle to lose steering control. Never tow the vehicle faster than 8 km/h.

The Workman® is capable of pulling trailers and attachments of greater weight than the vehicle itself.

Several types of tow hitches are available for the Workman, depending on your application. Contact your Authorized TORO Distributor for details.

When equipped with a tow hitch bolted onto rear axle tube, your Workman can tow trailers or attachments with a Gross Trailer Weight (GTW) up to 680 kg. Always load a trailer with 60% of the cargo weight in the front of the trailer. This places approximately 10% (90 kg max.) of the Gross Trailer Weight (GTW) on the tow hitch of the vehicle.

When towing either standard tongue or 5th wheel trailers having a Gross Trailer Weight (GTW) in excess of 900 kg, use either a chassis mounted draw bar hitch (rated for 1590 kg. GTW) or the 5th wheel kit with the brakes. Trailer brakes are required whenever a trailer over 900 kg. GTW is towed behind a Workman vehicle.

When hauling cargo or towing a trailer (attachment), do not overload your vehicle or trailer. Overloading can cause poor performance or damage to the brakes, axle, engine, transaxle, steering, suspension, body structure or tires.

Important: To reduce potential for drive line damage, use low range.

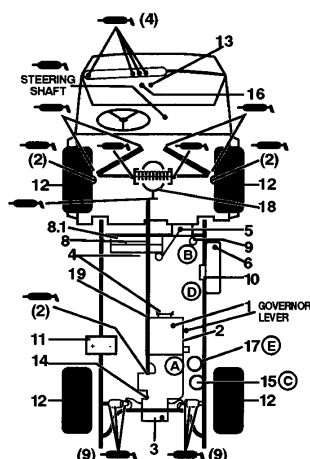
When towing 5th wheel attachments, like a fairway aerator, always install the bar included with the 5th wheel kit to prevent the front wheels from lifting off the ground if the towed attachments movement is suddenly impaired.

Maintenance

Daily Maintenance Procedures

Check the following items daily

- Safety Interlock operation
- Service & park brake operation
- Fuel level
- Accelerator operation
- Clutch & shifter operation
- Engine oil level
- Transaxle oil level
- Cooling system fluid level
- Brake fluid level
- Air cleaner (dust cup & baffle)(more often when conditions are dirty),
- Unusual engine noises
- Tire pressure
- Radiator screen/cleanout door
- Hydraulic hoses for damage
- Fluid leaks
- Instrument operation
- Lubricate all grease fittings (also immediately after every washing)
- Touch-up damaged paint

WORKMAN 4300-D QUICK REFERENCE AID**Check/Service**

- | | |
|---|--|
| <ol style="list-style-type: none"> 1. Engine oil level 2. Engine oil drain 3. Transaxle/Hydraulic oil level (dipstick) front 4. Belts (Governor, water pump hydraulic pump) 5. Coolant level fill 6. Fuel 7. Grease points (37) 100 hours 8. Radiator screen 8.1 Radiator cleanout door 9. Air filter | <ol style="list-style-type: none"> 10. Fuel filter 11. Battery 12. Tire pressure—maximum 1,4 kg/cm² front
1,3 kg/cm² rear (24" tire) 13. Fuses (Lights 10 A, ignition 7,5 A, dash accessories 7,5 A) 14. Hydraulic strainer 15. Hydraulic oil filter 16. Brake fluid 17. Water separator 18. Differential fill 19. 4-Wheel drive shaft |
|---|--|

FLUID SPECIFICATIONS/CHANGE INTERVALS

	Fluid Type	Capacity	Change Intervals		Filter Part No.
			Fluid	Filter	
Engine Oil	SAE 10W 30 CD	3.7 l	100 hours	100 hours	67-4330
Transmission/Hydraulic Oil	Dextron II ATF	7.1 l	800 hour	800 hours	54-0110
Air Cleaner	Clean Every 50 hours			200 hours	33-1300
Fuel > 0° C	NO. 2-D	26.5		400 hours	63-8300
Fuel Pump	—	—	—	400 hours	43-2550
Coolant 50/50 Ethylene Glycol Water	—	4.3	1200 hours		
Strainer	—	—	Clean 800 hours		87-3990
Differential Oil	—	.95 L	800 hours	—	—

FOR HEAVY DUTY OPERATION, MAINTENANCE SHOULD BE PERFORMED TWICE AS FREQUENTLY

Maintenance Schedule

Minimum Recommended Maintenance Intervals

Maintenance Procedure	Maintenance Interval & Service										
<table border="1" style="width: 100%; border-collapse: collapse;"> <tr> <td style="padding: 5px;"> Check battery fluid level/ cable connections ‡Change engine oil and filter </td> <td style="text-align: center; vertical-align: middle;">Every 50 hours</td> <td style="text-align: center; vertical-align: middle;">Every 100 hours</td> <td style="text-align: center; vertical-align: middle;">Every 200 hours</td> <td style="text-align: center; vertical-align: middle;">Every 400 hours</td> <td style="text-align: center; vertical-align: middle;">Every 800 hours</td> </tr> </table> <p style="margin-top: 10px;"> Lubricate all grease fittings Inspect the condition and wear of the tires †Change engine oil and filter Inspect cooling system hoses </p> <p style="margin-top: 10px;"> †Check cable adjustments †Check alternator and fan belts Service the air filter Check front axle boot joint (4-wheel drive) Check engine RPM (idle and full throttle) †Torque the wheel lug nuts </p> <p style="margin-top: 10px;"> Check front wheel alignment Inspect service and parking brakes Inspect fuel lines Replace electric fuel pump filter †Torque cylinder head and adjust valves </p> <p style="margin-top: 10px;"> †Replace the transaxle filter Change the transaxle oil Clean the transaxle strainer Change the front differential oil (4-wheel drive) Pack the front wheel bearings (2-wheel drive) </p>	Check battery fluid level/ cable connections ‡Change engine oil and filter	Every 50 hours	Every 100 hours	Every 200 hours	Every 400 hours	Every 800 hours					
Check battery fluid level/ cable connections ‡Change engine oil and filter	Every 50 hours	Every 100 hours	Every 200 hours	Every 400 hours	Every 800 hours						
<p>‡ Initial break in at 10 hours</p> <p>† Initial break in at 50 hours</p>											
<p>Replace all interlock switches Flush the cooling the cooling system and replace fluid Drain and flush the fuel tank Change the brake fluid</p>	<p>Annual Recommendations Items are recommended every 1200 hours or 2 years, whichever occurs first.</p>										

GREASING BEARINGS AND BUSHINGS

WARNING

Before servicing or making adjustments to the machine, stop the engine, set the parking brake and remove key from the ignition switch. Any load material must be removed from bed or other attachment before working under raised bed. Never work under a raised bed without positioning safety support on a fully installed cylinder rod. Always rotate the safety support to the down position before working under the raised bed.

The vehicle has (18) grease fittings that must be lubricated regularly with No. 2 General Purpose Lithium Base Grease. If the machine is operated under normal conditions, lubricate all bearings and bushings after every 100 hours of operation. More frequent lubrication is required if used for heavy duty vehicle operations.

The grease fitting locations and quantities are: Tie rod ends (4) (Fig. 16); Front ball joints (4) (Fig. 16); Rear drive shafts (6) (Fig. 17); Front pivot bushings (2) (Fig. 18); Mid drive shaft—4 Wheel drive only (3) (Fig. 19); Pedal Pivots (4) (Fig. 20); Steering shaft (1) (Fig. 21) and Accelerator Arm (1) (Fig. 22).

IMPORTANT: When greasing drive shaft universal shaft bearing crosses, pump grease until it comes out of all 4 cups at each cross.

1. Wipe the grease fitting clean so foreign matter cannot be forced into the bearing or bushing.
2. Pump grease into the bearing or bushing.
3. Wipe off excess grease.

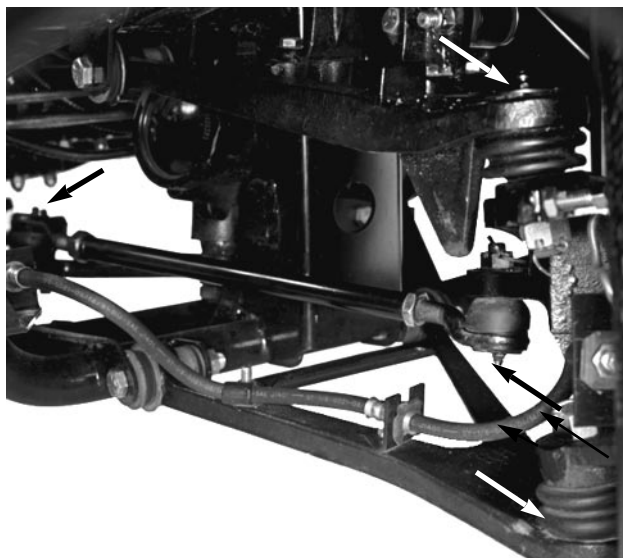


Figure 16



Figure 17

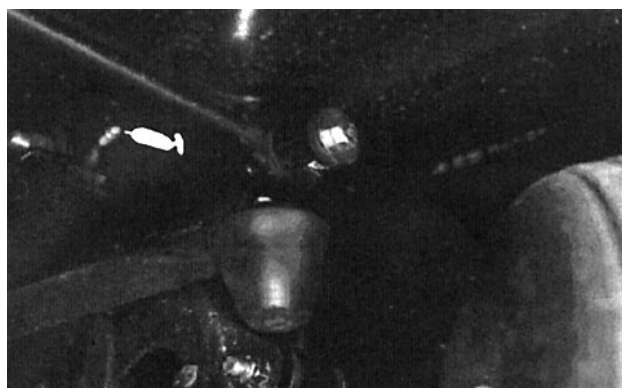


Figure 18

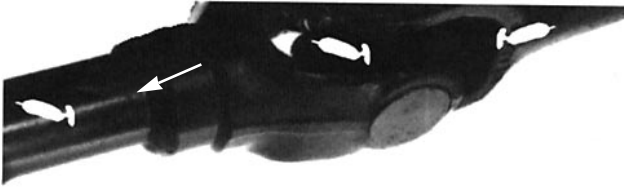


Figure 19

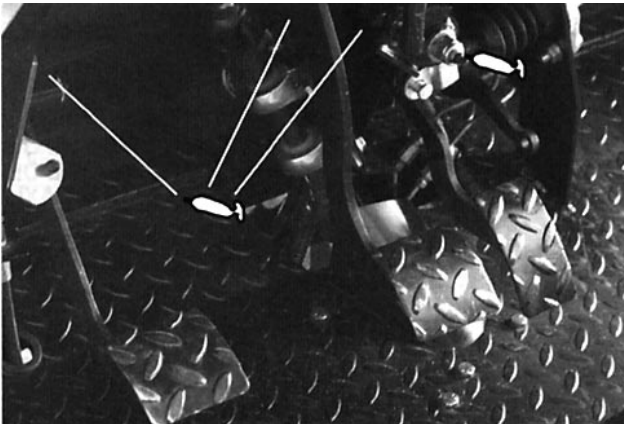


Figure 20



Figure 21

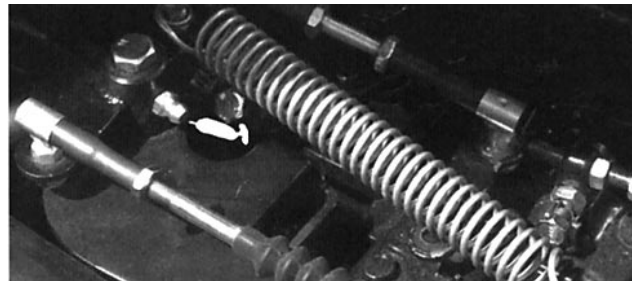


Figure 22

IMPORTANT

Heavy Duty Operation

If the vehicle is subjected to conditions listed below, maintenance should be performed twice as frequently.

- Desert operation
 - Cold climate operation (below 32° F)
 - Trailer or 5th wheel towing
 - Frequent operation on dusty roads
 - Frequent operation under maximum vehicle gross weight
 - Construction work
- After extended operation in mud, sand, water or similar dirty conditions, have your brakes inspected and cleaned and drive axle joints greased as soon as possible. This will prevent any abrasive material from causing excessive wear.
 - Under frequent heavy duty operating conditions, lubricate all grease fittings and inspect air cleaner daily to prevent excessive wear.



CAUTION

Only qualified and authorized personnel shall be permitted to maintain, repair, adjust or inspect the vehicle.

Avoid fire hazards and have fire protection equipment present in the work area. Do not use an open flame to check the level or leakage of fuel, battery electrolyte or coolant. Do not use open pans of fuel or flammable cleaning fluids for cleaning



WARNING

Before servicing or making adjustments to the machine, stop the engine, set the parking brake and remove key from the ignition switch. Any load material must be removed from bed or other attachment before working under raised bed. Always rotate safety support to the down position before working under raised bed.

Many maintenance procedures require raising and lowering the bed. The following precautions must be taken or serious injury or death could result.

After maintenance is completed, remove the safety support, slide it onto storage stud and lower the bed.

USING THE BED SAFETY SUPPORT

1. Raise the bed until the lift cylinders are fully extended.
2. Remove the bed support from storage stud on top of the back rest support channel on the Workman (Fig. 23).
3. Push the bed support onto the cylinder rod, making sure support end tabs rest on the end of the cylinder barrel and on cylinder rod end (Fig. 24).
4. To store the bed support, remove bed support from cylinder and insert on stud on top of back

rest support channel.

5. Always install or remove bed support from outside of bed.
6. Do not try to lower bed with bed safety support on cylinder.

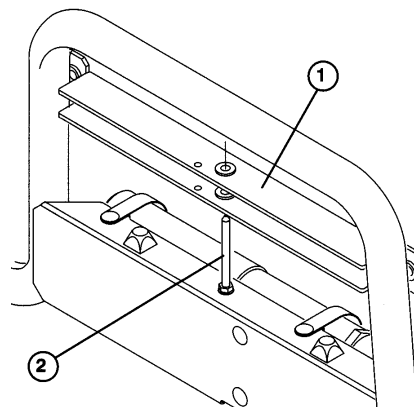


Figure 23

1. Bed support
2. Storage stud

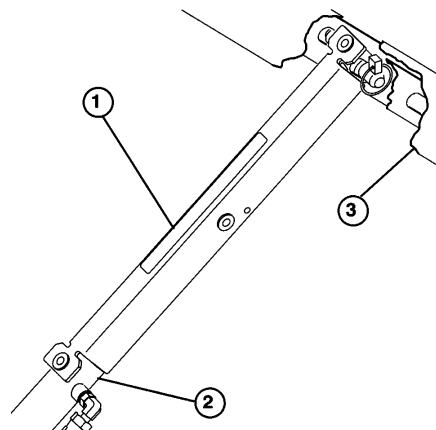


Figure 24

1. Bed support
2. Cylinder barrel
3. Bed

JACKING THE VEHICLE

1. Do not start the engine while the vehicle is on jack, because engine vibration or wheel movement could cause the vehicle to slip off jack.
2. Do not work under the vehicle without jack stands supporting it. The vehicle could slip off jack, injuring any one beneath it.

3. The jacking point at the front of the vehicle is under the front center frame support and at the rear it is under the axle tube.
4. When jacking up front of the vehicle, always place a 50 x 100mm block (or similar material) between the jack and vehicle frame.

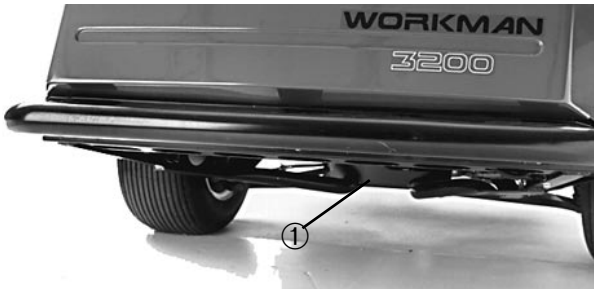


Figure 25

1. Front jacking point

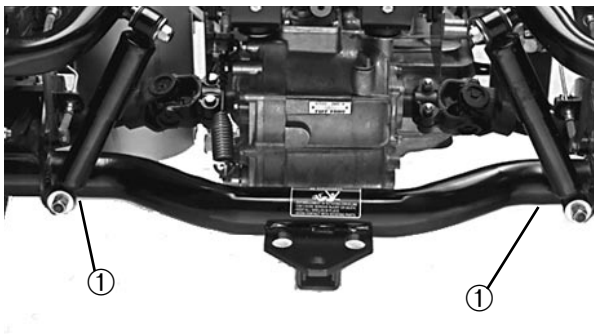


Figure 26

1. Rear jacking points

Locations For Selected Maintenance Procedures

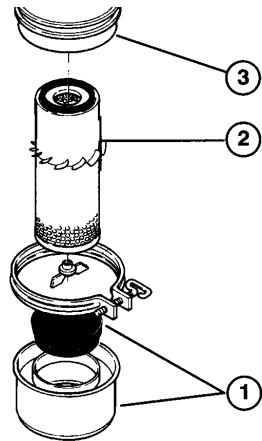


Figure 27

1. Dust Cup & Baffle
2. Filter Element
3. Air Cleaner Body

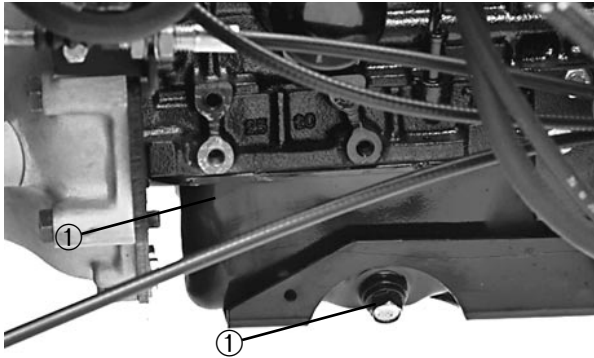


Figure 28

1. Engine Oil Drain Plug



Figure 29

1. Engine Oil Filter

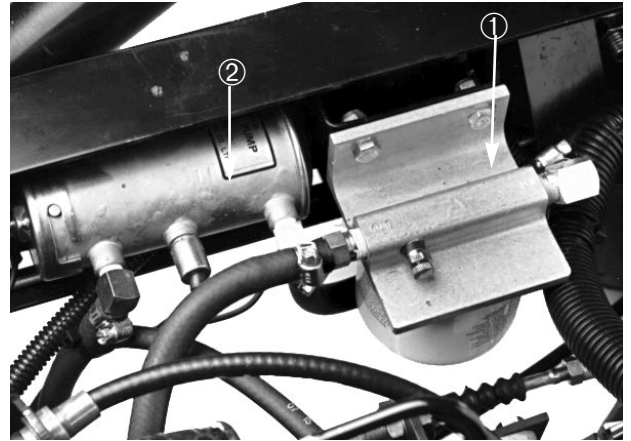


Figure 30

1. Fuel filter/water Separator
2. Fuel pump

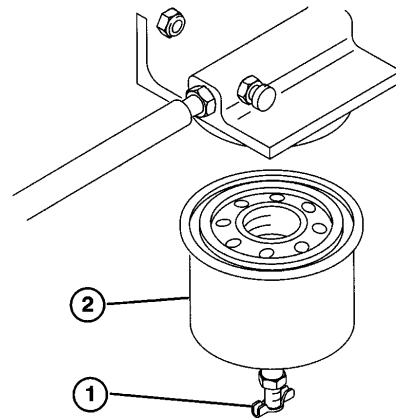


Figure 31

1. Drain Plug
2. Filter Canister

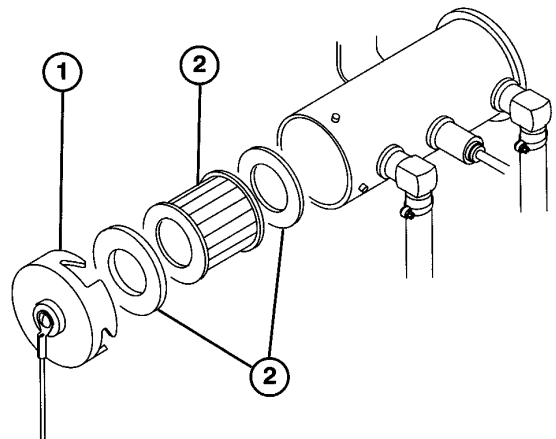


Figure 32

1. Fuel pump cover
2. Filter
3. Gasket

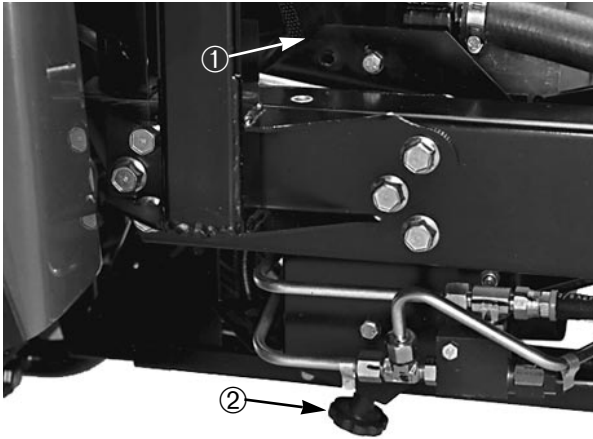


Figure 33

- 1. Radiator screen cover
- 2. Clean out door

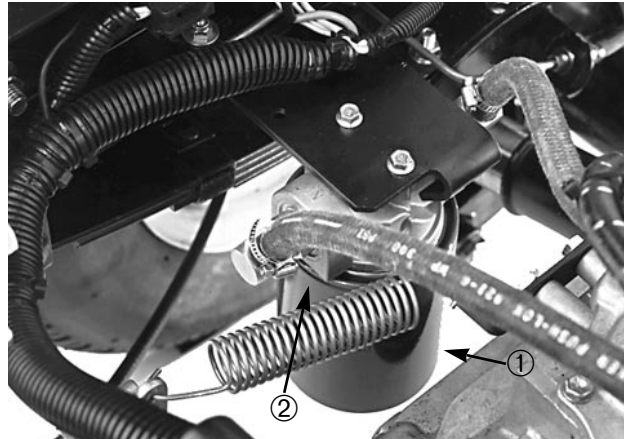


Figure 36

- 1. Hydraulic Filter
- 2. Gasket



Figure 34

- 1. Radiator cap
- 2. Reserve tank cap

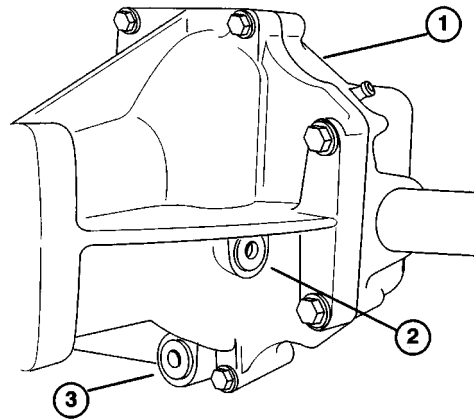


Figure 37

- 1. Front differential
- 2. Fill/check plug
- 3. Drain plug

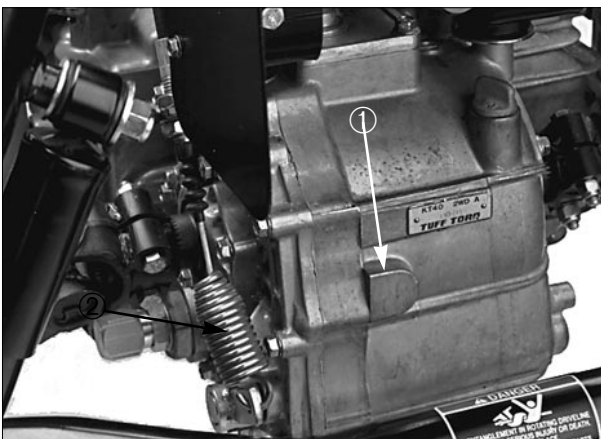


Figure 35

- 1. Hydraulic Reservoir
- 2. Drain plug

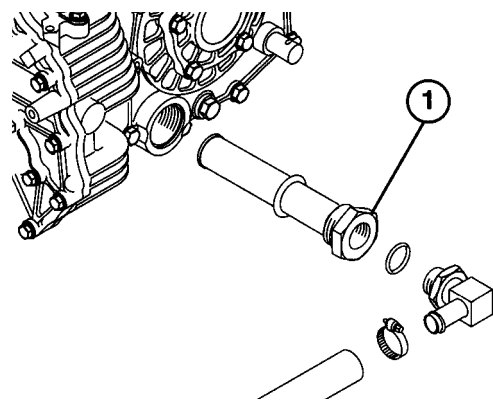


Figure 38

- 1. Hydraulic strainer

FRONT WHEEL TOE-IN

After every 400 operating hours or annually, check front wheel toe-in.

1. Measure center-to-center distance (at axle height) at front and rear of steering tires. Front measurement must be equal to the rear measurement 3mm.

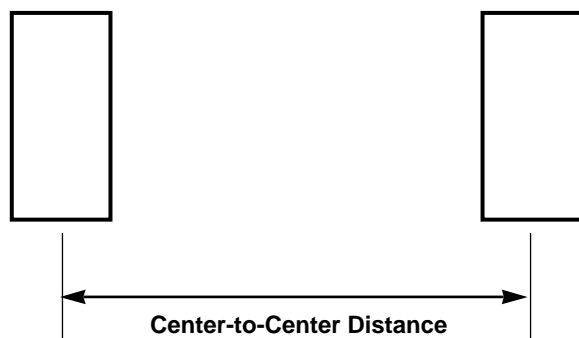


Figure 39

2. To adjust, loosen jam nuts at both ends of tie rod.

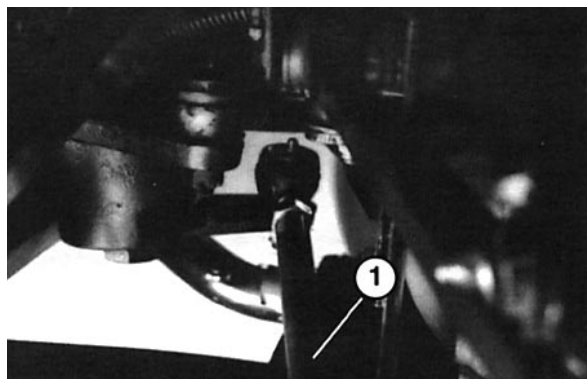


Figure 40

1. Tie rod

3. Rotate tie rod to move front of tire inward or outward.
4. Tighten tie rod jam nuts when adjustment is correct.

EMERGENCY BOX RAISING (without starting the engine)

The box can be raised in an emergency by cranking starter and holding lift lever. Run starter for 15 seconds then wait 60 seconds before engaging starter again.

If the engine will not crank, the load and box (attachment) must be removed to service the engine or transaxle.

FUSES

There are three fuses in the machine's electrical system. They are located under right side of dash panel.

	FUSES
OPEN	—
LIGHTS & HORN	10A
IGNITION	7.5A
DASH	7.5A

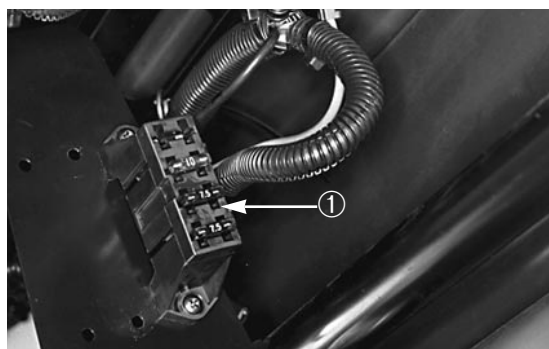



Figure 41

1. Fuse block

JUMP STARTING PROCEDURE

1. Loosen knobs securing battery cover to battery base and slide cover off.
2. Connect a jumper cable between the positive posts of the two batteries. The positive post may be identified by a “+” sign on top of battery cover.

 **WARNING**

Jump starting can be dangerous. To avoid personal injury or damage to electrical components in the vehicle, observe the following warnings:

- Never jump start with a voltage sources greater than 15 volts D.C. This will damage the electrical system.
- Never attempt to jump start a discharged battery that is frozen. It could rupture or explode during jump starting.
- Observe all battery warnings while jump starting your vehicle.
- Be sure your vehicle is not touching the jump start vehicle.
- Connecting cables to the wrong post could result in personal injury and/or damage to the electrical system.

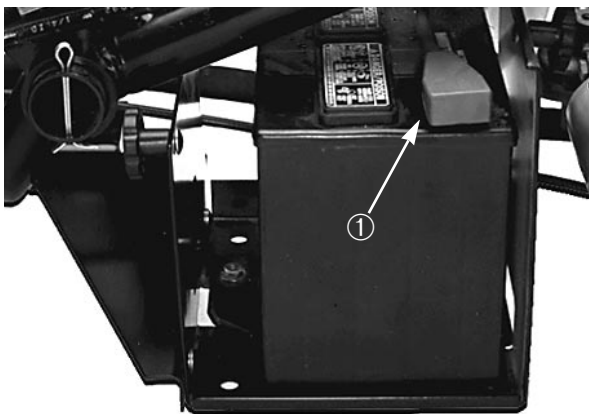


Figure 42

1. Positive (+) cable

3. Connect one end of the other jumper cable to the negative terminal of the battery in the other vehi-

cle. The negative terminal has “NEG” on the battery cover. Do not connect the other end of the jumper cable to the negative post of the discharged battery. Connect it to the engine. Do not connect the jumper cable to the fuel system.

4. Start the engine in the vehicle providing the jump start. Let it run a few minutes, then start your engine.
5. Remove the negative jumper cable first from your engine, then the battery in the other vehicle.
6. Reinstall battery cover to battery base and tighten knobs.

IDENTIFICATION AND ORDERING

MODEL AND SERIAL NUMBERS

The WORKMAN® has two identification numbers: a model number and a serial number. These numbers are stamped into a plate located on the right frame member under dash. In any correspondence concerning the unit, supply the model and serial numbers to ensure correct information and replacement parts are obtained.

To order replacement parts from an authorized TORO Distributor, supply the following information:

1. Model and serial numbers.
2. Part number, description, and quantity of parts desired.

