



Count on it.

Parts Catalog

**High-Flow Hydraulics Kit
Workman® HDX-Auto Utility Vehicle**

Model No. 07395



Ordering Replacement Parts

To order replacement parts, please supply the part number, the quantity, and the description of each part desired.

Understanding Reference Numbers

Each identified part in an illustration has a reference number. The reference number for a part also appears in the parts list, along with other information about the part.

This catalog uses two special reference number formats, one to indicate parts in a service assembly and another to indicate the quantity of a given part in an illustration.

Service Assembly Reference Numbers

Parts in service assemblies have reference numbers in the form a:b. The a represents the reference number of the entire service assembly and the b represents a sequential number unique to each part within the service assembly.

For example, a wheel assembly might be identified by reference number 6, the tire by 6:1, the valve by 6:2, and the wheel by 6:3. When you order the assembly identified by reference number 6, you receive all parts identified by reference numbers 6:1, 6:2, and 6:3. However, you may also order any part individually. Reference numbers of this type appear in illustration and in parts lists.

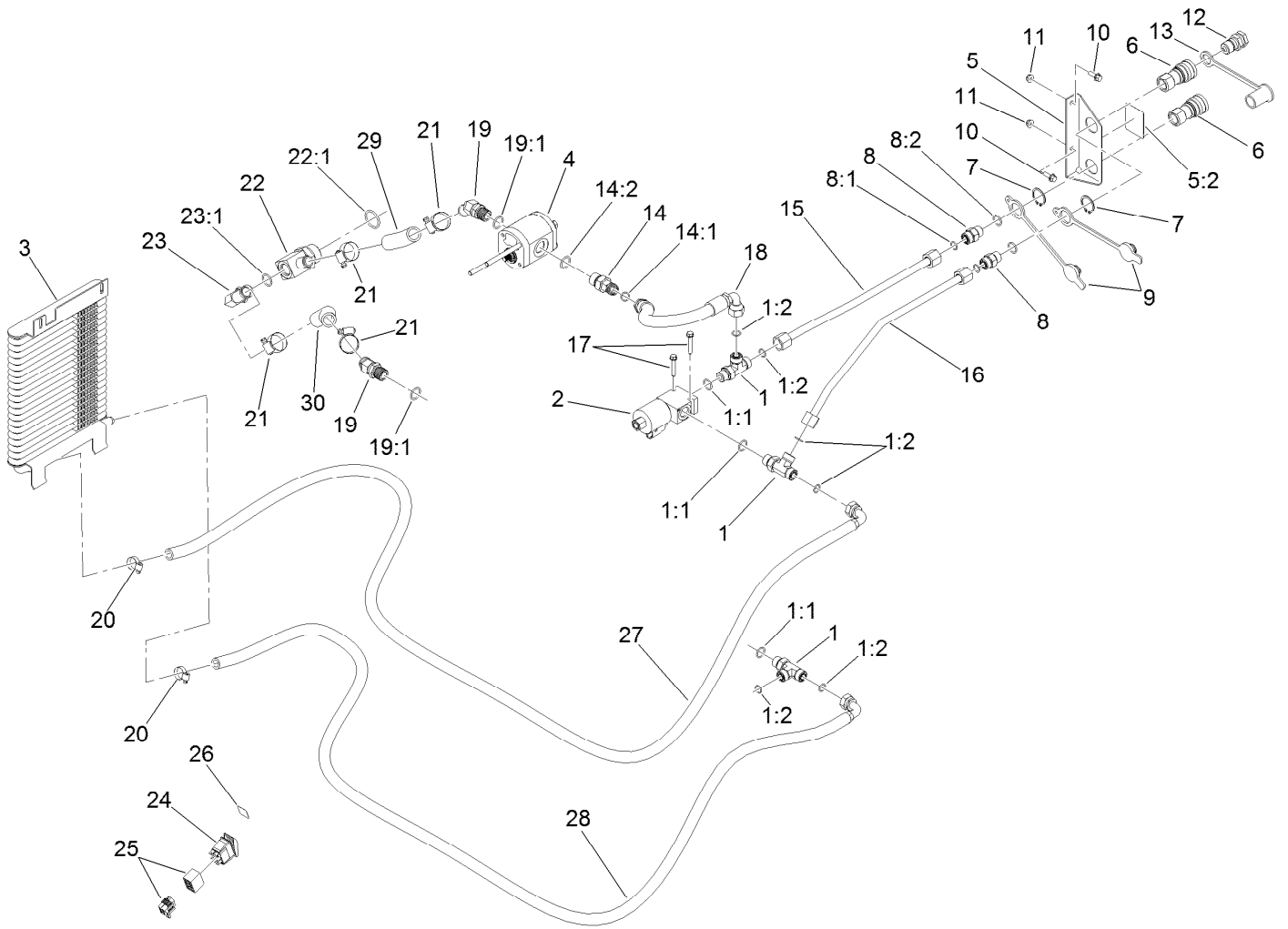
Reference Numbers Indicating Quantity

In an illustration, if a reference number indicates more than one part, the reference number has the form nX y. The n represents the quantity of the part, the X is the multiplication symbol, and the y represents the reference number.

For example, in an illustration, the reference number 2X 37 means that two of the parts identified by reference number 37 are indicated.

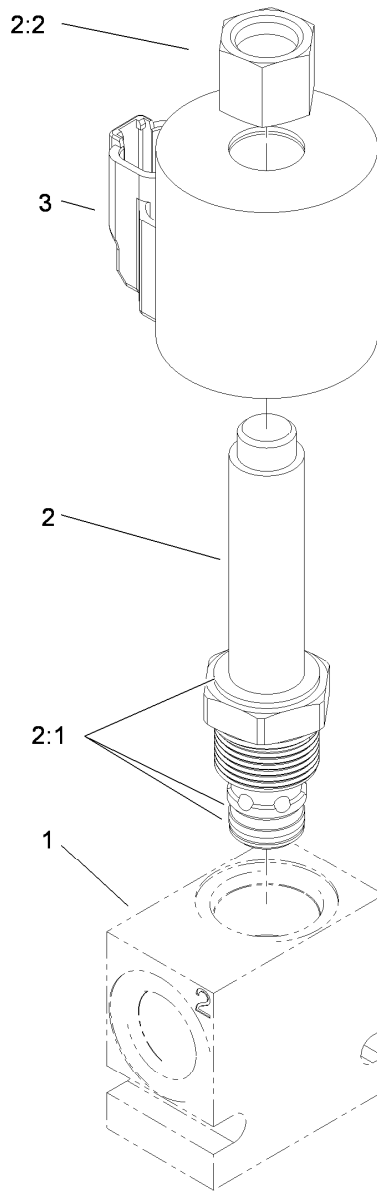
Contents

High Flow Hydraulic Assembly..... 4
Hydraulic Manifold Assembly No. 115-2252 5
Auxiliary Pump Assembly No. 114-8303 6



High Flow Hydraulic Assembly

Ref.	Part Number	Qty.	Description	Ref.	Part Number	Qty.	Description
1	340-109	3	Fitting-Tee	14:2	237-80	1	O-Ring
1:1	237-79	1	O-Ring	15	121-9864	1	Tube-HYD
1:2	237-30	2	O-Ring	16	121-9865	1	Tube-HYD
2	115-2252	1	HYD Manifold ASM	17	94-2691	2	Screw-HWH
3	114-8363	1	Cooler-Oil	18	107-1136	1	Hose ASM
4	114-8303	1	HYD Auxiliary Pump ASM	19	99-6929	2	Fitting-Elbow45
5	105-7978	1	Coupler Bracket ASM	19:1	237-80	1	O-Ring
5:2	105-7977	1	Decal	20	2412-36	2	Clamp-Hose
6	105-4169	2	Coupler-Female	21	2412-129	4	Clamp-Hose
7	32120-2	2	Ring-Retaining	22	121-9891	1	Fitting-Tee
8	340-4	2	Fitting-Straight	22:1	237-146	1	O-Ring
8:1	237-30	1	O-Ring	23	87-8170	1	Fitting-90
8:2	237-79	1	O-Ring	23:1	237-80	1	O-Ring
9	105-7962	2	Plug-Dust	24	105-4232	1	Switch
10	3234-4	2	Screw-HHF	25	105-8513	1	Harness-Wire
11	104-7201	2	Nut-HF, NI	26	115-7756	1	Decal-HYD, High Flow
12	105-4170	1	Coupler-Male	27	127-8606	1	HYD Hose ASM
13	105-7963	1	Cap-Dust	28	127-8607	1	HYD Hose ASM
14	340-89	1	Fitting-HYD, 45 DEG	29	127-8722	1	Hose-HYD
14:1	237-30	1	O-Ring	30	127-8723	1	Hose-HYD

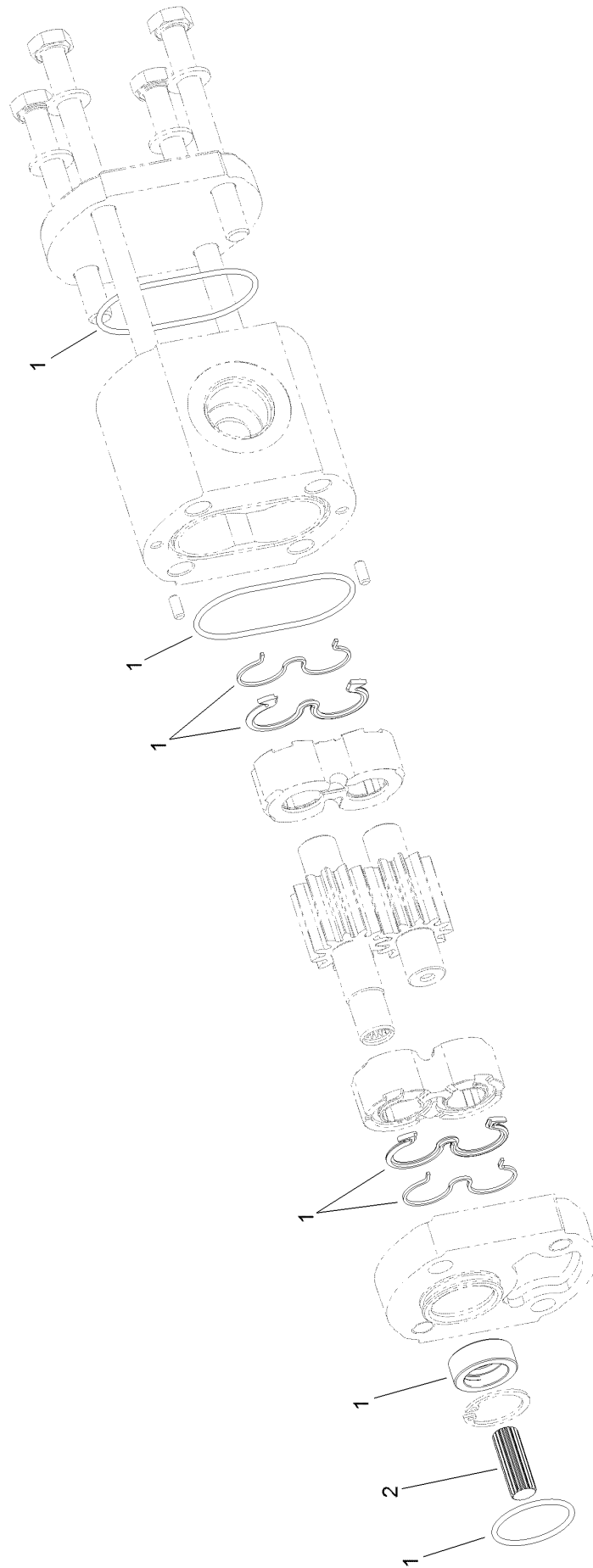


Hydraulic Manifold Assembly No. 115-2252

<i>Ref.</i>	<i>Part Number</i>	<i>Qty.</i>	<i>Description</i>
1		1	Housing ●
2	110-8905	1	Valve-Relief, Solenoid
2:1	110-6316	1	Seal Kit
2:2	130-8180	1	Nut-Coil (9/16-24 Unef-2B)
3	115-3021	1	Coil-12V

● Not serviced separately

Auxiliary Pump Assembly No. 114-8303



Auxiliary Pump Assembly No. 114-8303 (continued)

<i>Ref.</i>	<i>Part Number</i>	<i>Qty.</i>	<i>Description</i>
1	115-8697	1	Seal Kit
2	119-0653	1	Coupling-Splined



Count on it.