



**Count on it.**

**Parts Catalog**

**Workman® GTX  
Lithium Utility Vehicle**

Model No. 07413LT—Serial No. 410500000 and Up



# Ordering Replacement Parts

To order replacement parts, please supply the part number, the quantity, and the description of each part desired.

## Understanding Reference Numbers

Each identified part in an illustration has a reference number. The reference number for a part also appears in the parts list, along with other information about the part.

This catalog uses two special reference number formats, one to indicate parts in a service assembly and another to indicate the quantity of a given part in an illustration.

## Service Assembly Reference Numbers

Parts in service assemblies have reference numbers in the form a:b. The a represents the reference number of the entire service assembly and the b represents a sequential number unique to each part within the service assembly.

For example, a wheel assembly might be identified by reference number 6, the tire by 6:1, the valve by 6:2, and the wheel by 6:3. When you order the assembly identified by reference number 6, you receive all parts identified by reference numbers 6:1, 6:2, and 6:3. However, you may also order any part individually. Reference numbers of this type appear in illustration and in parts lists.

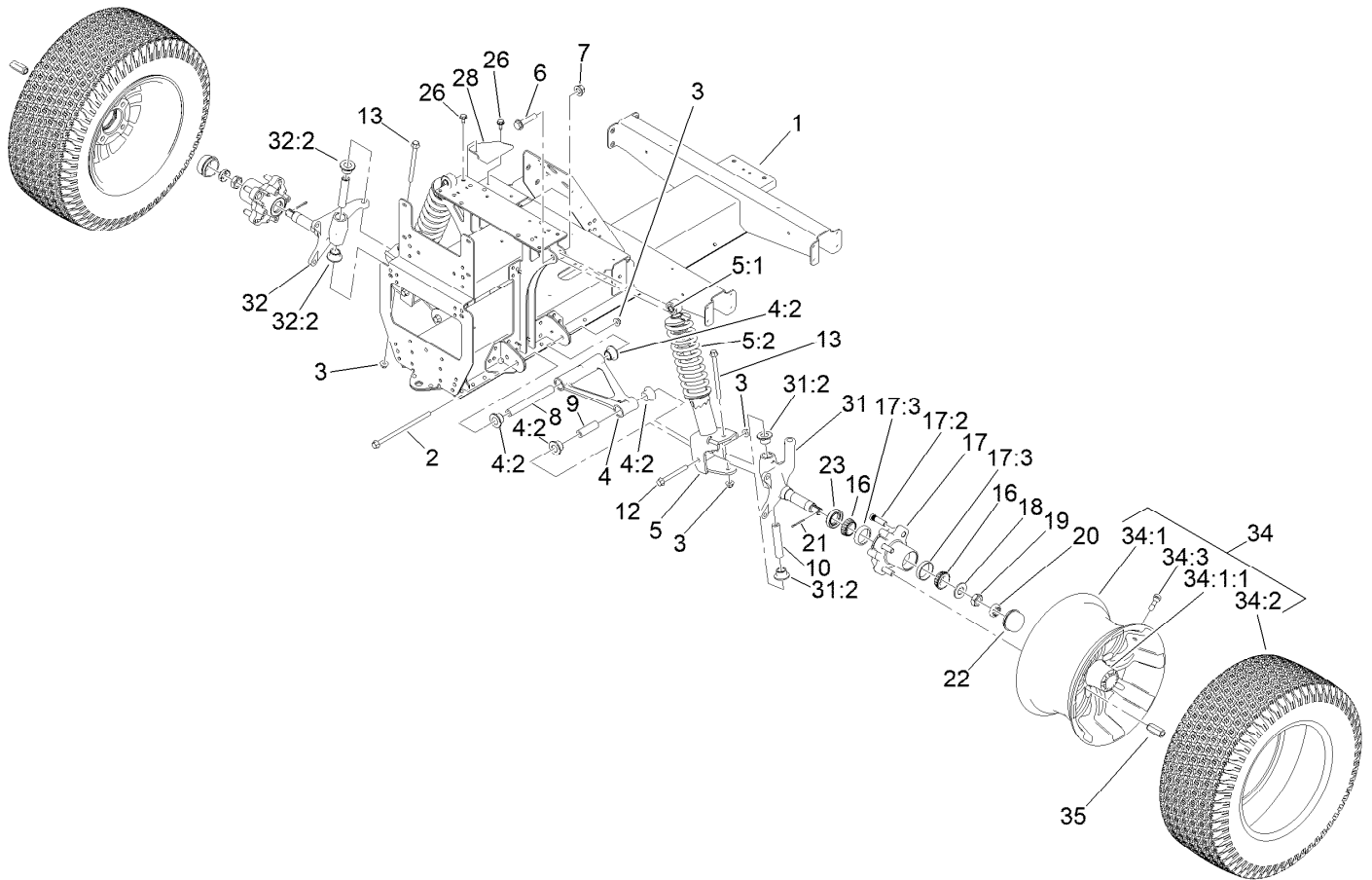
## Reference Numbers Indicating Quantity

In an illustration, if a reference number indicates more than one part, the reference number has the form nX y. The n represents the quantity of the part, the X is the multiplication symbol, and the y represents the reference number.

For example, in an illustration, the reference number 2X 37 means that two of the parts identified by reference number 37 are indicated.

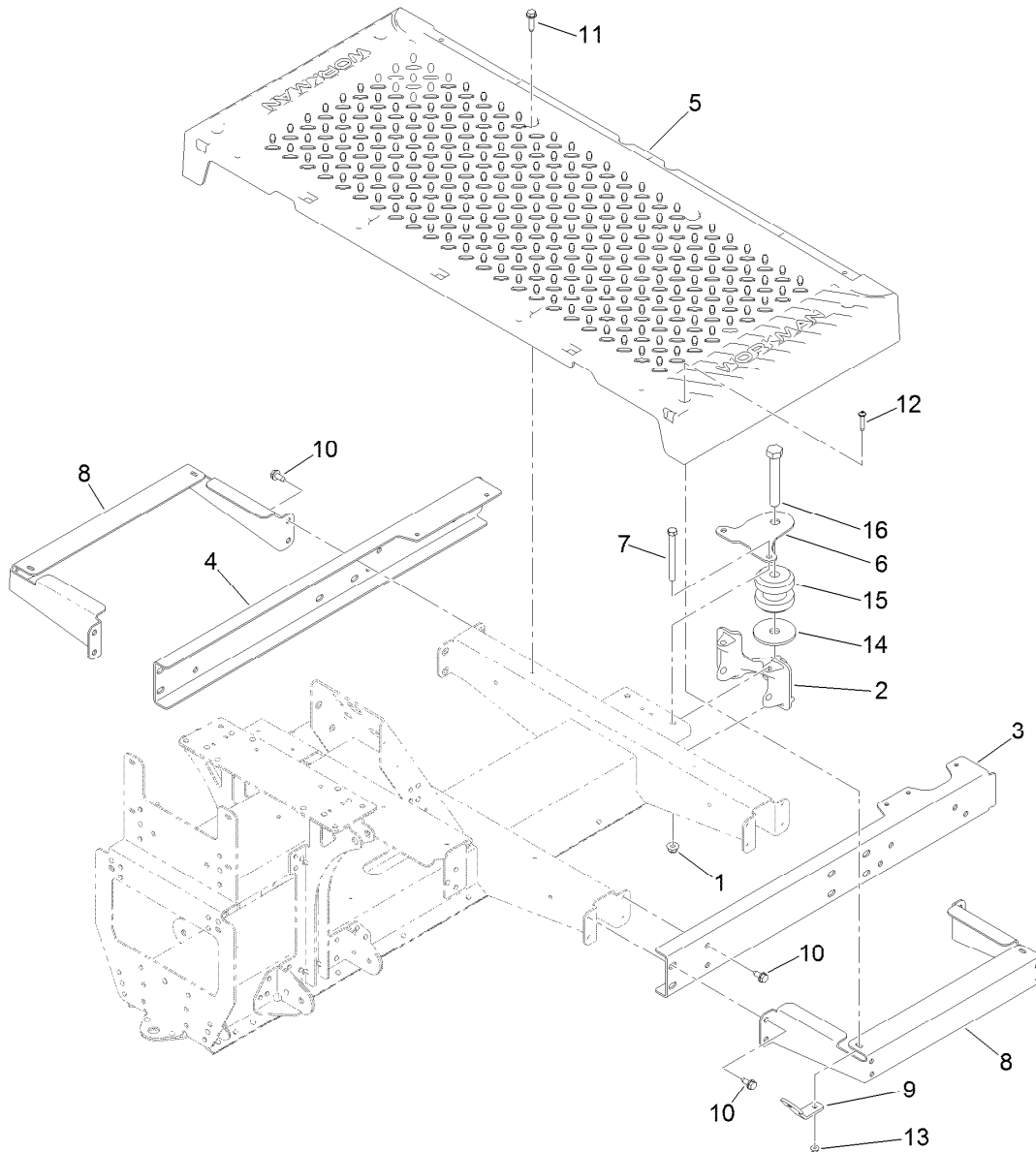
# Contents

|  |    |
|--|----|
| Front Frame and Suspension Assembly . . . . .            | 4  |
| Floor Plate and Rear Suspension Mount Assembly . . . . . | 5  |
| Rear Frame and Suspension Assembly . . . . .             | 6  |
| Frame Mount and Rear Shock/Spring Assembly . . . . .     | 7  |
| Brake Assembly . . . . .                                 | 8  |
| Master Cylinder Assembly No. 104-6782 . . . . .          | 9  |
| Brake Caliper Assembly No. 140-2575 . . . . .            | 10 |
| Steering Assembly . . . . .                              | 11 |
| Pedal and Control Assembly . . . . .                     | 12 |
| Hood and Fender Assembly . . . . .                       | 13 |
| Dash Assembly . . . . .                                  | 14 |
| Seatbase Assembly . . . . .                              | 15 |
| Cargo Bed Assembly . . . . .                             | 16 |
| Controller and Charger Assembly . . . . .                | 17 |
| Main Wire Harness Assembly No. 122-2488 . . . . .        | 19 |
| Accelerator Pedal and Horn Assembly . . . . .            | 20 |
| Battery Cable Assembly . . . . .                         | 21 |
| Rear Wheel and Transaxle Assembly . . . . .              | 22 |
| Transaxle Assembly No. 136-6340 . . . . .                | 23 |
| Electric Motor Assembly No. 137-6936 . . . . .           | 24 |
| Battery Assembly No. 04070 . . . . .                     | 25 |
| Attachments and Accessories . . . . .                    | 26 |



## Front Frame and Suspension Assembly

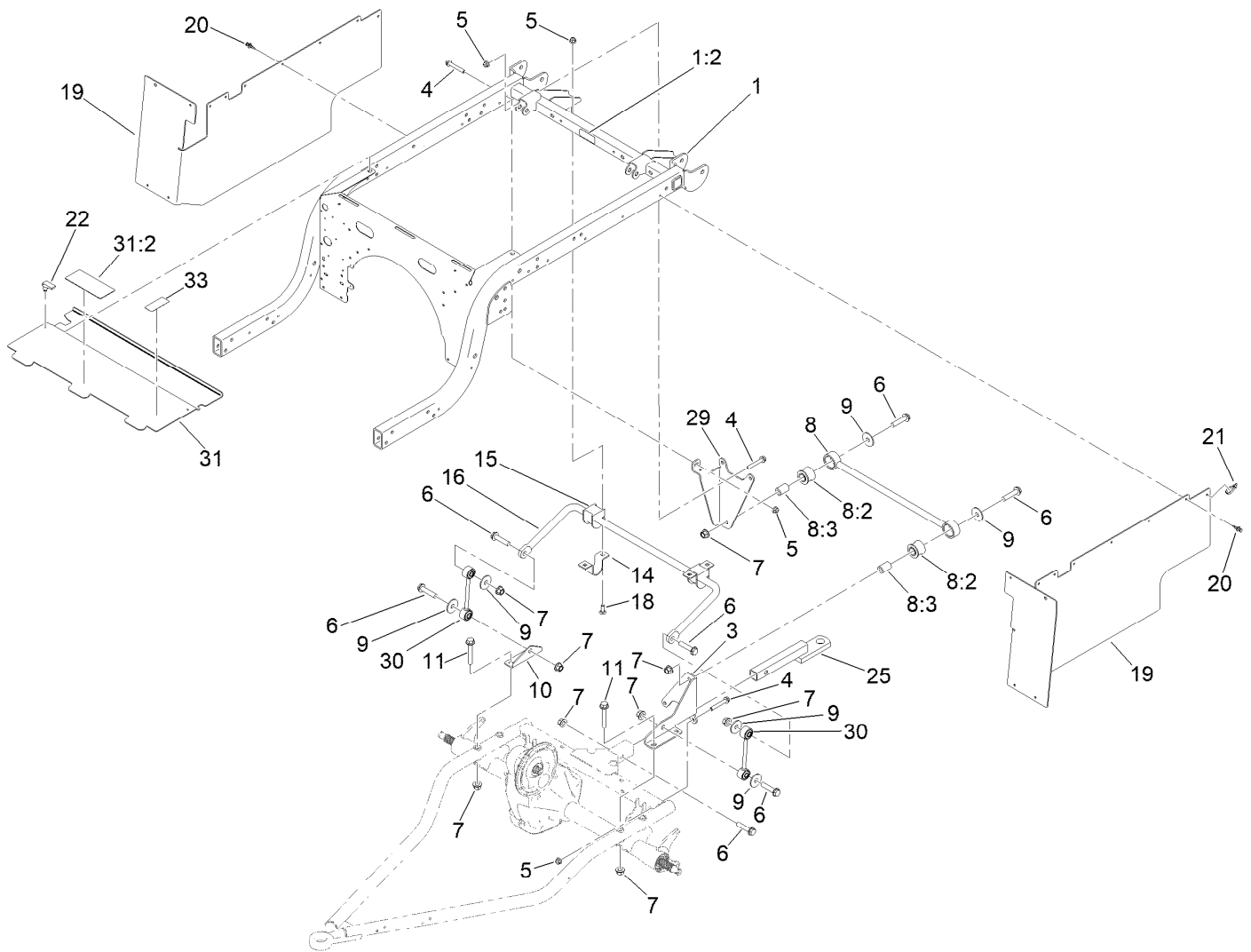
| Ref. | Part Number | Qty. | Description                           | Ref.   | Part Number | Qty. | Description               |
|------|-------------|------|---------------------------------------|--------|-------------|------|---------------------------|
| 1    | 127-7718-03 | 1    | Frame-Front                           | 18     | 93-0309     | 2    | Washer-Tab                |
| 2    | 139-3360    | 2    | Screw-HF                              | 19     | 3220-7      | 2    | Nut-Jam                   |
| 3    | 139-3380    | 6    | Nut-HF                                | 20     | 93-0307     | 2    | Nut-Lock, Retainer        |
| 4    | 144-2161    | 2    | Control Arm ASM                       | 21     | 3272-12     | 2    | Pin-Cotter                |
| 4:2  | 140-4615    | 4    | Bushing-Flange                        | 22     | 241-119     | 2    | Cap-Dust                  |
| 5    | 139-4484    | 2    | Strut ASM, 250 Lb (16.33" EXT Length) | 23     | 112-1690    | 2    | Seal-Oil                  |
| 5:1  | 131-8574    | 1    | Isolator-Shock                        | 26     | 32144-70    | 2    | Screw-HWHTF               |
| 5:2  | 137-6719    | 1    | Spring-Compression, 250Lb             | 28     | 131-8339-03 | 1    | Reinforcement-Tower       |
| 6    | 3234-46     | 2    | Screw-HHF                             | 31     | 144-2164    | 1    | Spindle ASM, LH           |
| 7    | 99-5107     | 2    | Nut-Lock                              | 31:2   | 140-4615    | 2    | Bushing-Flange            |
| 8    | 131-8581    | 2    | Sleeve-Control Arm, Inner             | 32     | 144-2165    | 1    | Spindle ASM, RH           |
| 9    | 131-8583    | 2    | Sleeve-Control Arm, Outer             | 32:2   | 140-4615    | 2    | Bushing-Flange            |
| 10   | 131-8582    | 2    | Sleeve-Kingpin                        | 34     | 139-4649    | 2    | Aluminum Whl And Tire ASM |
| 12   | 139-3370    | 2    | Screw-HF                              | 34:1   | 139-4601    | 1    | Wheel-Aluminum            |
| 13   | 139-3350    | 2    | Screw-HF                              | 34:1:1 | 140-4570    | 1    | Cap-Aluminum Wheel        |
| 16   | 254-94      | 4    | Bearing-Cone, Tapered                 | 34:2   | 120-3271    | 1    | Tire                      |
| 17   | 127-8851    | 2    | Front Hub ASM                         | 34:3   | 232-27      | 1    | Stem-Valve                |
| 17:2 | 10-6830     | 4    | Stud-Type, Drive                      | 35     | 139-3603    | 8    | Nut-Lug                   |
| 17:3 | 254-72      | 2    | Bearing-Cup, Tapered                  |        |             |      |                           |



## Floor Plate and Rear Suspension Mount Assembly

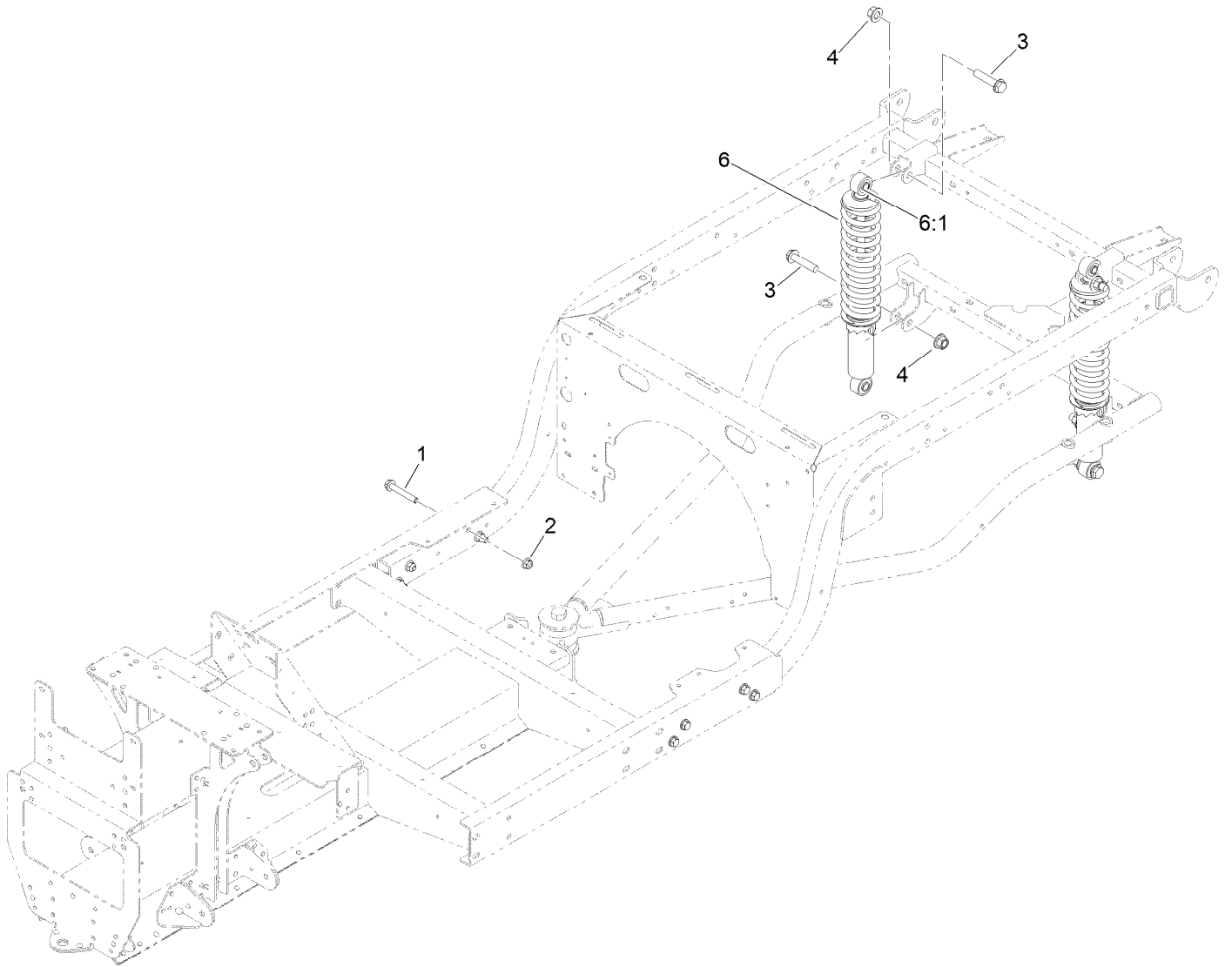
| Ref. | Part Number | Qty. | Description                  |
|------|-------------|------|------------------------------|
| 1    | 104-8301    | 2    | Nut-HF, NI                   |
| 2    | 131-8466    | 1    | Mount-Suspension, Rear       |
| 3    | 127-7820-03 | 1    | Channel-Frame, Front (LH)    |
| 4    | 127-7821-03 | 1    | Channel-Frame, Front (RH)    |
| 5    | 127-7829    | 1    | Plate-Floor                  |
| 6    | 131-8597    | 1    | Plate-Gimbal, Upper          |
| 7    | 323-42      | 2    | Screw-HH                     |
| 8    | 127-7837-03 | 2    | Bracket-Support, Floor Plate |

| Ref. | Part Number | Qty. | Description        |
|------|-------------|------|--------------------|
| 9    | 127-7832    | 2    | Bracket-Angle      |
| 10   | 32144-70    | 16   | Screw-HWHTF        |
| 11   | 32144-49    | 4    | Screw-HWHTF        |
| 12   | 132-6777    | 4    | Screw-Twh Thd Roll |
| 13   | 104-7201    | 4    | Nut-HF, NI         |
| 14   | 110-4549    | 1    | Washer-Snubbing    |
| 15   | 131-8480    | 1    | Isolator           |
| 16   | 104-5877    | 1    | Screw-HH           |



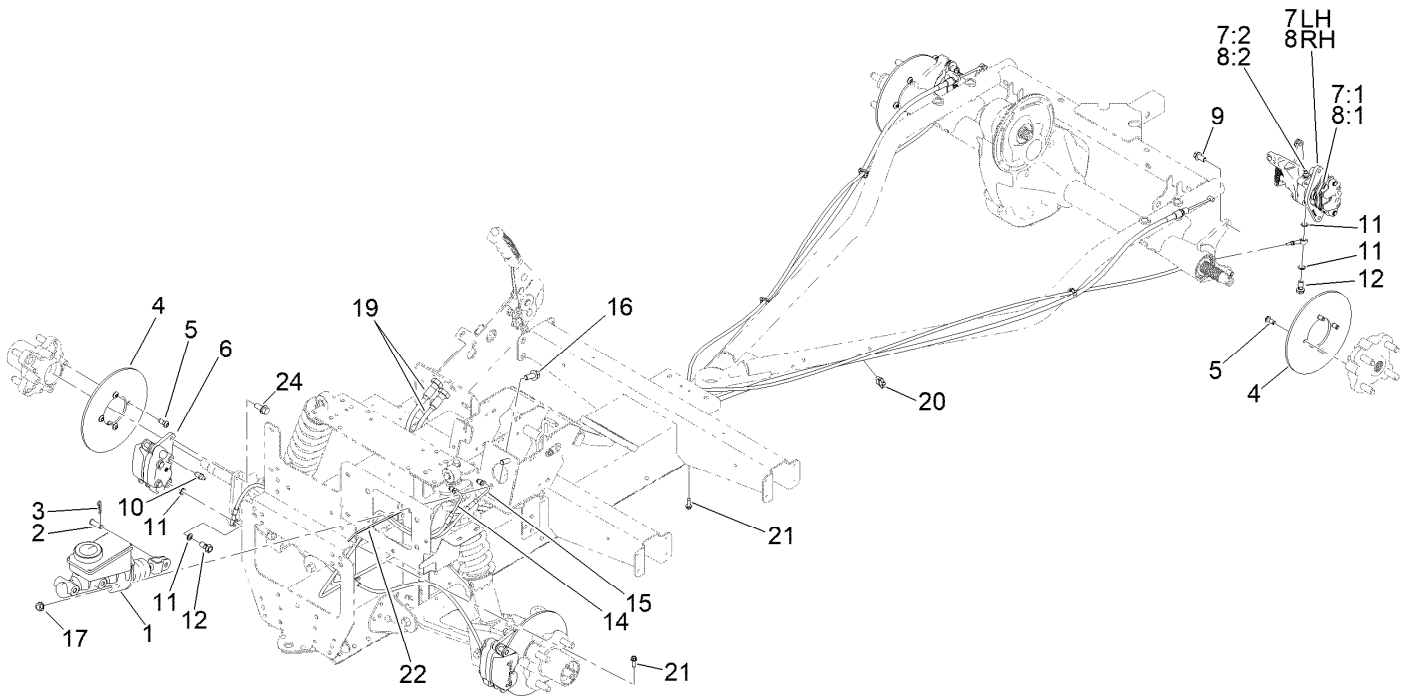
## Rear Frame and Suspension Assembly

| <i>Ref.</i> | <i>Part Number</i> | <i>Qty.</i> | <i>Description</i>         | <i>Ref.</i> | <i>Part Number</i> | <i>Qty.</i> | <i>Description</i>             |
|-------------|--------------------|-------------|----------------------------|-------------|--------------------|-------------|--------------------------------|
| 1           | 140-2498           | 1           | Rear Frame ASM             | 15          | 87-3910            | 2           | Bushing-Rubber                 |
| 1:2         | 115-2047           | 1           | Decal-Surface, Hot         | 16          | 131-8310-03        | 1           | Bar-Sway, Anti                 |
| 3           | 127-7411-03        | 1           | Bracket-Bar, Stabilizer    | 18          | 3231-22            | 4           | Screw-CARR                     |
| 4           | 3234-39            | 5           | Screw-HHF                  | 19          | 131-8346           | 2           | Panel-Side                     |
| 5           | 104-8301           | 9           | Nut-HF, NI                 | 20          | 125-9622           | 20          | Rivet-Blind                    |
| 6           | 3234-46            | 7           | Screw-HHF                  | 21          | 3290-378           | 2           | Tie-Cable                      |
| 7           | 99-5107            | 11          | Nut-Lock                   | 22          | 74-5950            | 2           | Latch-Swell                    |
| 8           | 109-5013           | 1           | Panhard Rod ASM            | 25          | 137-6741           | 1           | Ball Mount ASM                 |
| 8:2         | 109-5009           | 2           | Bushing-Suspension, Rubber | 29          | 139-4648-03        | 1           | Bracket-Stabilizer Bar [black] |
| 8:3         | 109-5010           | 2           | Spacer                     | 30          | 139-4606           | 2           | Link ASM-Sway Bar              |
| 9           | 86-1990            | 6           | Washer-Thrust              | 31          | 140-4573           | 1           | Extended Panel-Cover           |
| 10          | 131-8315           | 1           | Bracket-Link, Sway Bar     | 31:2        | 99-7345            | 1           | Decal-Warning                  |
| 11          | 3234-40            | 4           | Screw-HF                   | 33          | 145-8006           | 1           | Decal-Gtx Electric             |
| 14          | 139-4644           | 2           | Clamp, Anti-Sway Bar       |             |                    |             |                                |



## Frame Mount and Rear Shock/Spring Assembly

| <i>Ref.</i> | <i>Part Number</i> | <i>Qty.</i> | <i>Description</i> |
|-------------|--------------------|-------------|--------------------|
| 1           | 3234-39            | 8           | Screw-HHF          |
| 2           | 104-8301           | 8           | Nut-HF, NI         |
| 3           | 3234-46            | 4           | Screw-HHF          |
| 4           | 99-5107            | 4           | Nut-Lock           |
| 6           | 139-4608           | 2           | Shock/Spring ASM   |
| 6:1         | 131-8574           | 2           | Isolator-Shock     |



## Brake Assembly

| Ref. | Part Number | Qty. | Description                         | Ref. | Part Number | Qty. | Description           |
|------|-------------|------|-------------------------------------|------|-------------|------|-----------------------|
| 1    | 104-6782    | 1    | Master Cylinder ASM                 | 8:3  | 136-6328    | 2    | Spring-Rattle, Anti ● |
| 2    | 283-2       | 1    | Pin-Clevis                          | 9    | 144-5550    | 4    | Screw-Spl             |
| 3    | 1-806003    | 1    | Pin-Cotter                          | 10   | 119-9509    | 2    | Screw-Bleed           |
| 4    | 139-4474    | 4    | Rotor-Brake                         | 11   | 115-2341    | 8    | Washer-Banjo          |
| 5    | 121-9671    | 16   | Screw-HSBH                          | 12   | 120-4875    | 4    | Bolt-Flange, Banjo    |
| 6    | 140-2575    | 2    | Brake Caliper ASM                   | 14   | 127-7781    | 1    | Brake Line-Front      |
| 7    | 140-2585    | 1    | Brake Caliper ASM, LH               | 15   | 127-7782    | 1    | Brake Line-Rear       |
| 7:1  | 140-2595    | 1    | Brake Pad Service Kit (Rear, Qty 4) | 16   | 3234-11     | 2    | Screw-HHF             |
| 7:2  | 119-9509    | 1    | Screw-Bleed                         | 17   | 3290-357    | 2    | Nut-HSF               |
| 7:3  | 136-6328    | 2    | Spring-Rattle, Anti ●               | 19   | 131-8406    | 2    | Cable-Park Brake      |
| 8    | 140-2590    | 1    | Brake Caliper ASM, RH               | 20   | 32180-030   | 4    | Clip-Tie              |
| 8:1  | 140-2595    | 1    | Brake Pad Service Kit (Rear, Qty 4) | 21   | 49-2040     | 2    | Screw-HWHTF           |
| 8:2  | 119-9509    | 1    | Screw-Bleed                         | 22   | 3290-378    | 1    | Tie-Cable             |
|      |             |      |                                     | 24   | 3234-25     | 4    | Screw-HHF             |

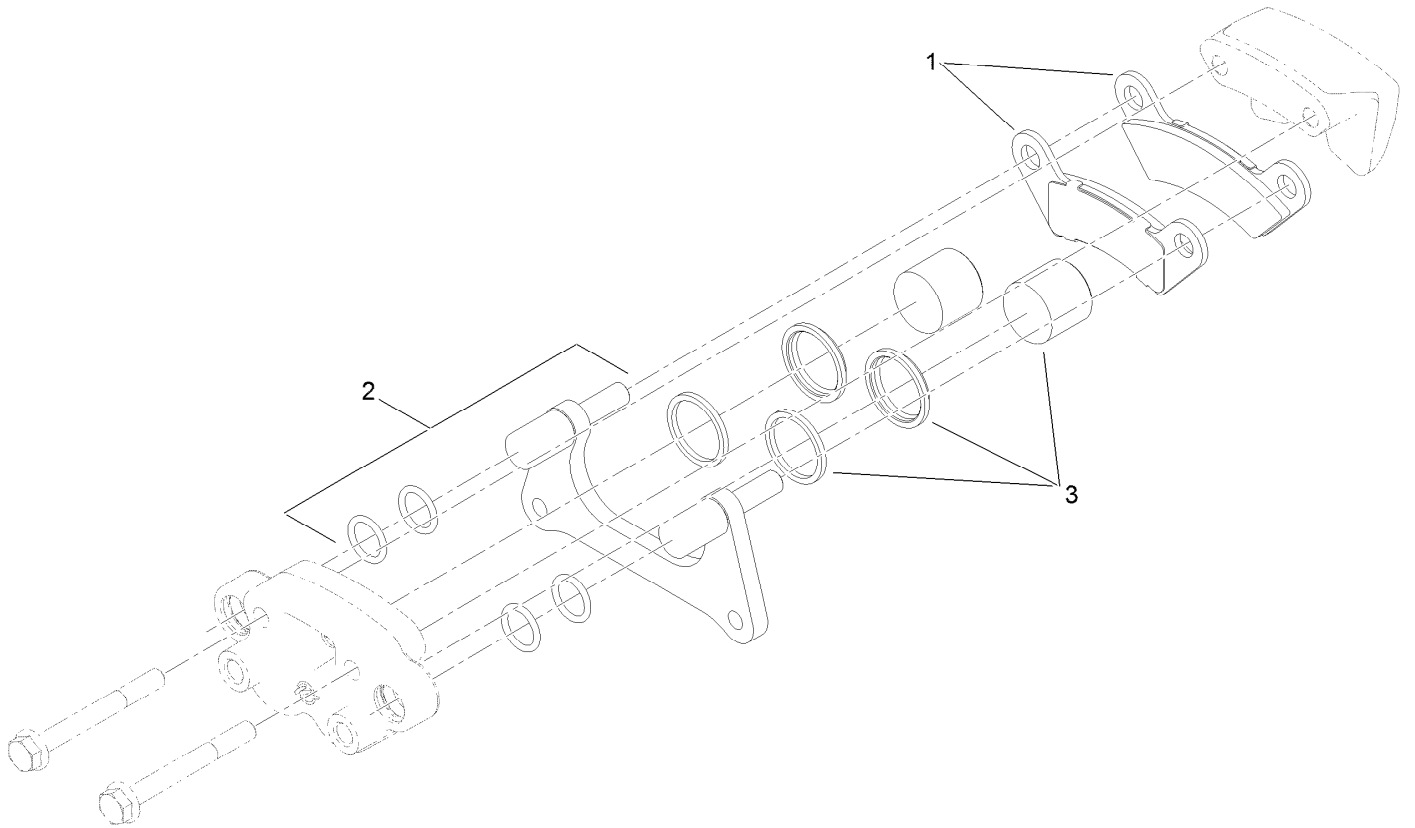
● Not illustrated





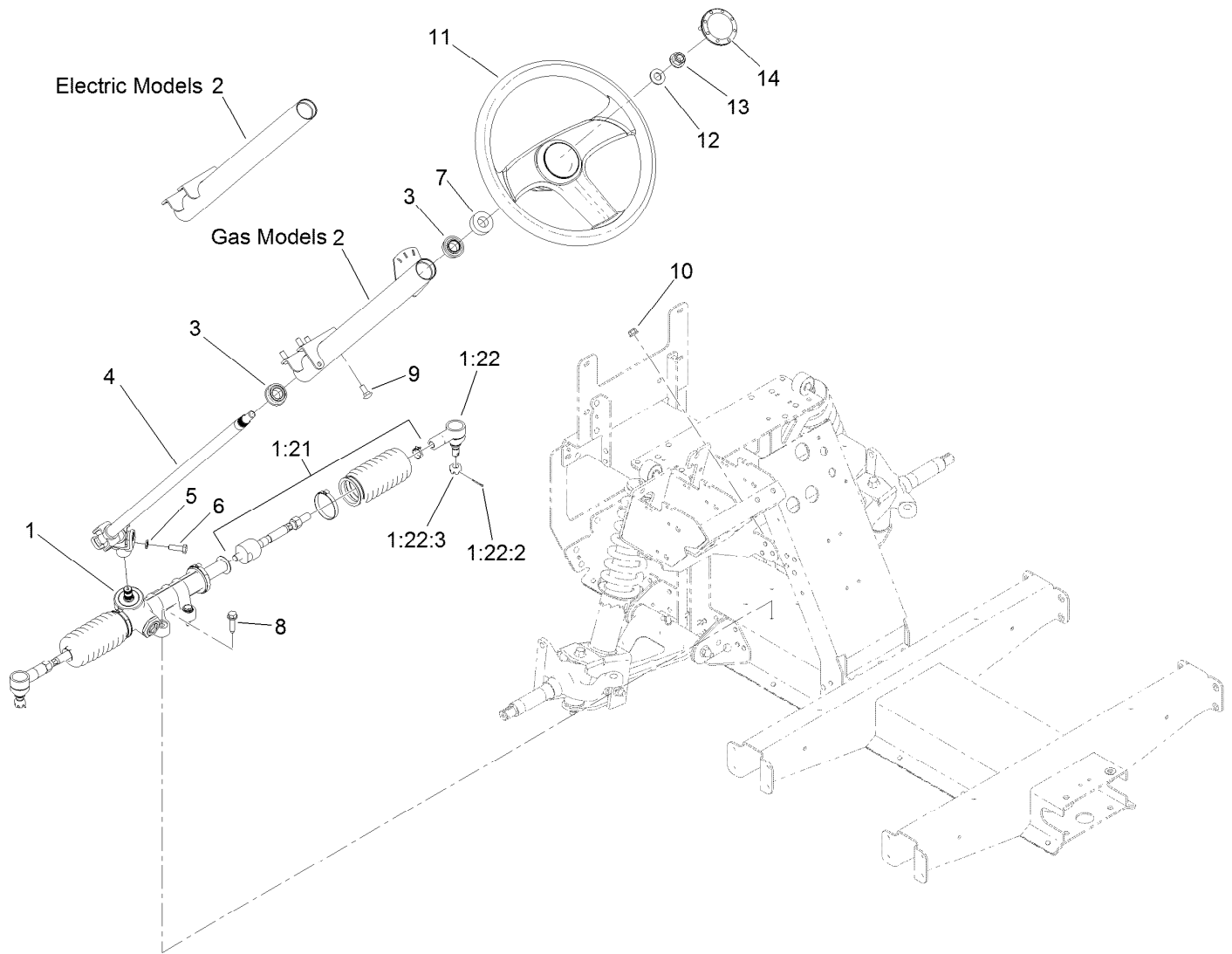
## Master Cylinder Assembly No. 104-6782

| Ref. | Part Number | Qty. | Description          |
|------|-------------|------|----------------------|
| 1    | 104-6845    | 1    | Reservoir ASM        |
| 1:1  | 92-4112     | 1    | Cap ASM              |
| 2    | 93-8971     | 2    | Seal-Port, Flange    |
| 3    | 92-4103     | 1    | Pin-Stop             |
| 4    | 92-4102     | 1    | Secondary Piston ASM |
| 5    | 92-4110     | 1    | Clevis               |
| 6    | 21-0360     | 1    | Nut-Hex              |
| 7    | 94-5209     | 1    | Cover-Dust           |
| 8    | 94-5210     | 1    | Rod-Push             |
| 9    | 92-4109     | 1    | Ring-Snap            |
| 10   | 92-4108     | 1    | Retainer-Washer      |
| 11   | 92-4101     | 1    | Primary Piston ASM   |



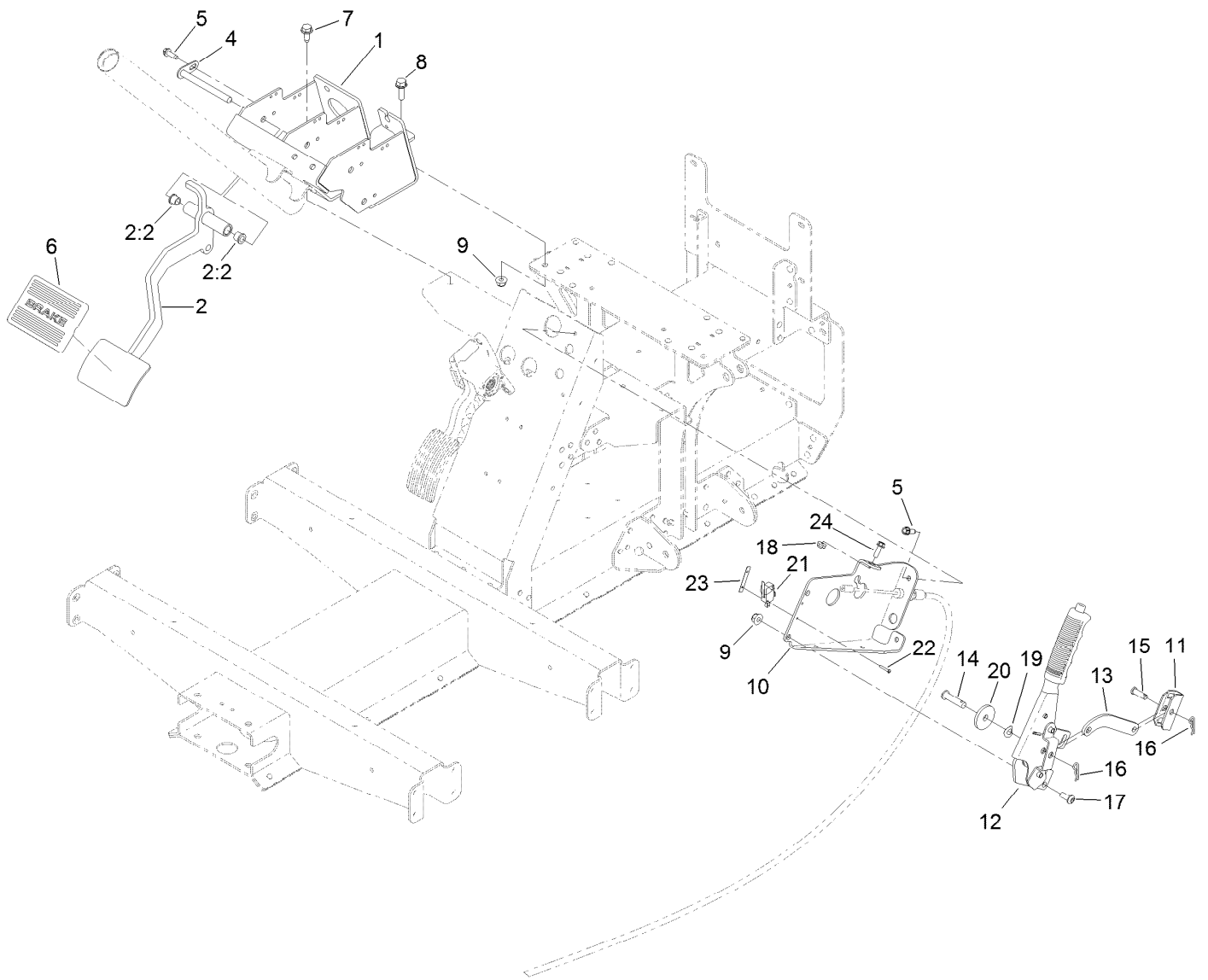
## Brake Caliper Assembly No. 140-2575

| <i>Ref.</i> | <i>Part Number</i> | <i>Qty.</i> | <i>Description</i>                   |
|-------------|--------------------|-------------|--------------------------------------|
| 1           | 140-2580           | 1           | Brake Pad Service Kit (Front, Qty 4) |
| 2           | 119-9511           | 1           | Bracket Kit                          |
| 3           | 133-0614           | 1           | Piston Kit                           |



## Steering Assembly

| Ref.   | Part Number | Qty. | Description          | Ref. | Part Number | Qty. | Description         |
|--------|-------------|------|----------------------|------|-------------|------|---------------------|
| 1      | 138-0114    | 1    | Steering Rack ASM    | 6    | 116-3515    | 1    | Screw-HH, Special   |
| 1:21   | 140-4591    | 1    | Kit-Tie Rod ASM, Gtx | 7    | 21-9260     | 1    | Cover-Dust          |
| 1:22   | 140-4592    | 1    | Kit-Rod End ASM      | 8    | 32144-49    | 4    | Screw-HWHTF         |
| 1:22:2 | 3272-42     | 1    | Pin-Cotter           | 9    | 3230-1      | 4    | Bolt-CARR           |
| 1:22:3 | 140-2493    | 1    | Nut-Hex, Slotted     | 10   | 104-8300    | 4    | Nut-HF, NI          |
| 2      | 139-3343    | 1    | Steering Column ASM  | 11   | 131-0957    | 1    | Wheel-Steering      |
| 3      | 112-3262    | 2    | Bearing              | 12   | 3256-26     | 1    | Washer-Flat         |
| 4      | 127-8804    | 1    | Shaft-Steering       | 13   | 99-5107     | 1    | Nut-Lock            |
| 5      | 3253-4      | 1    | Washer-Lock          | 14   | 131-3630    | 1    | Cap-Wheel, Steering |



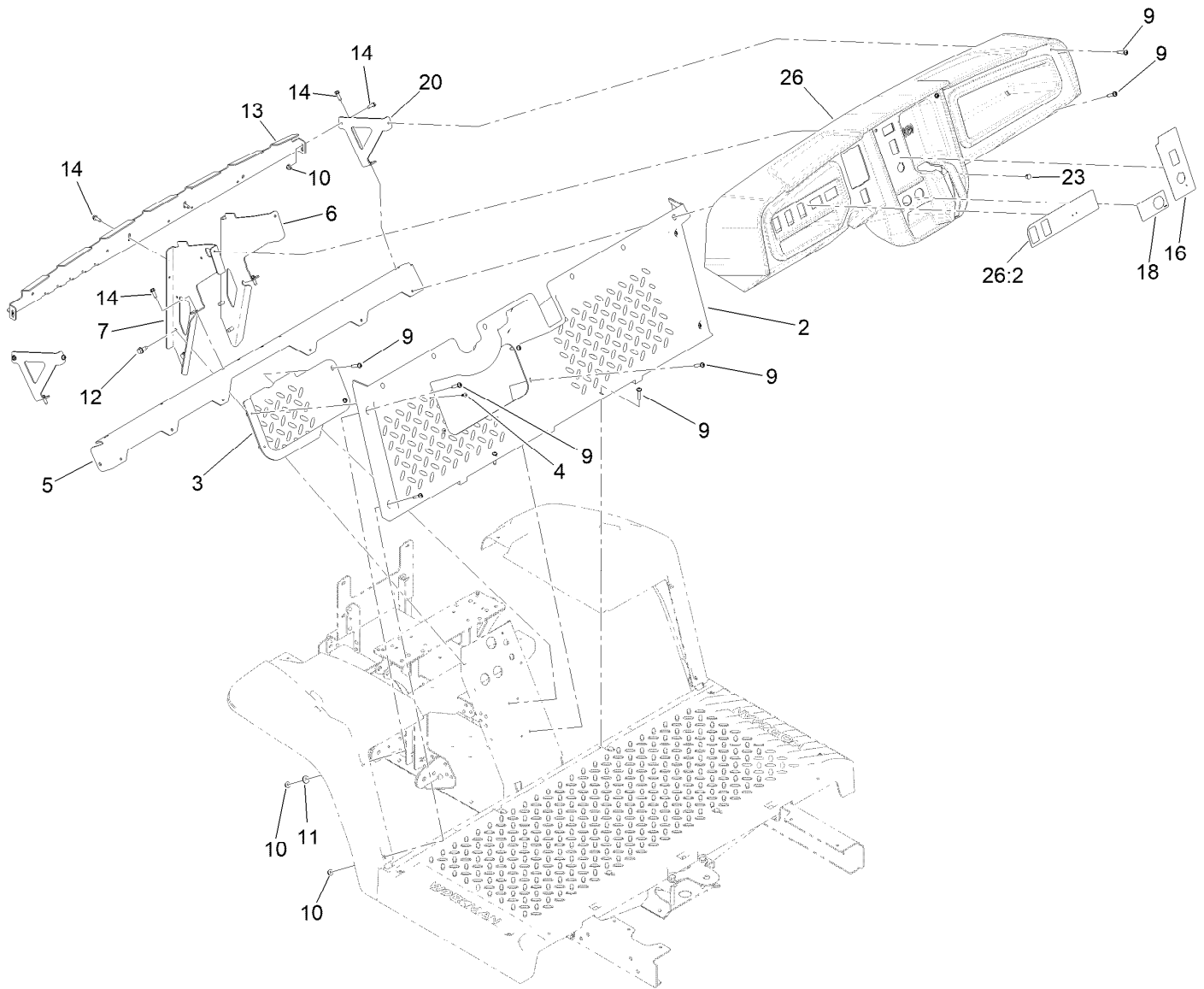
## Pedal and Control Assembly

| <i>Ref.</i> | <i>Part Number</i> | <i>Qty.</i> | <i>Description</i>       | <i>Ref.</i> | <i>Part Number</i> | <i>Qty.</i> | <i>Description</i> |
|-------------|--------------------|-------------|--------------------------|-------------|--------------------|-------------|--------------------|
| 1           | 127-8817-03        | 1           | Mount-Pedal              | 13          | 144-0516           | 1           | Link-Park, Brake   |
| 2           | 138-9385           | 1           | Brake Pedal ASM          | 14          | 283-10             | 1           | Pin-Clevis         |
| 2:2         | 256-116            | 2           | Bushing-Flange           | 15          | 1-808280           | 1           | Pin-Clevis         |
| 4           | 131-8459           | 1           | Shaft-Pivot              | 16          | 1-806003           | 2           | Pin-Cotter         |
| 5           | 49-2040            | 3           | Screw-HWHTF              | 17          | 3274-55            | 2           | Screw-HSBH         |
| 6           | 7-3900             | 1           | Pad-Brake                | 18          | 104-7201           | 1           | Nut-HF, NI         |
| 7           | 32144-70           | 2           | Screw-HWHTF              | 19          | 121-4605           | 1           | Washer-Spring      |
| 8           | 3234-29            | 1           | Screw-HHF                | 20          | 131-8496           | 1           | Washer-Plain       |
| 9           | 104-8300           | 3           | Nut-HF, NI               | 21          | 108-6496           | 1           | Switch (W/Boot)    |
| 10          | 140-4836-03        | 1           | Mount-Park Brake         | 22          | 3290-313           | 2           | Screw-SPH          |
| 11          | 87-3480            | 1           | Bracket-Equalizer, Cable | 23          | 3290-354           | 1           | Nut-Speed          |
| 12          | 131-8320           | 1           | Lever-Brake, Park        | 24          | 115-5103           | 1           | Screw-HHF          |



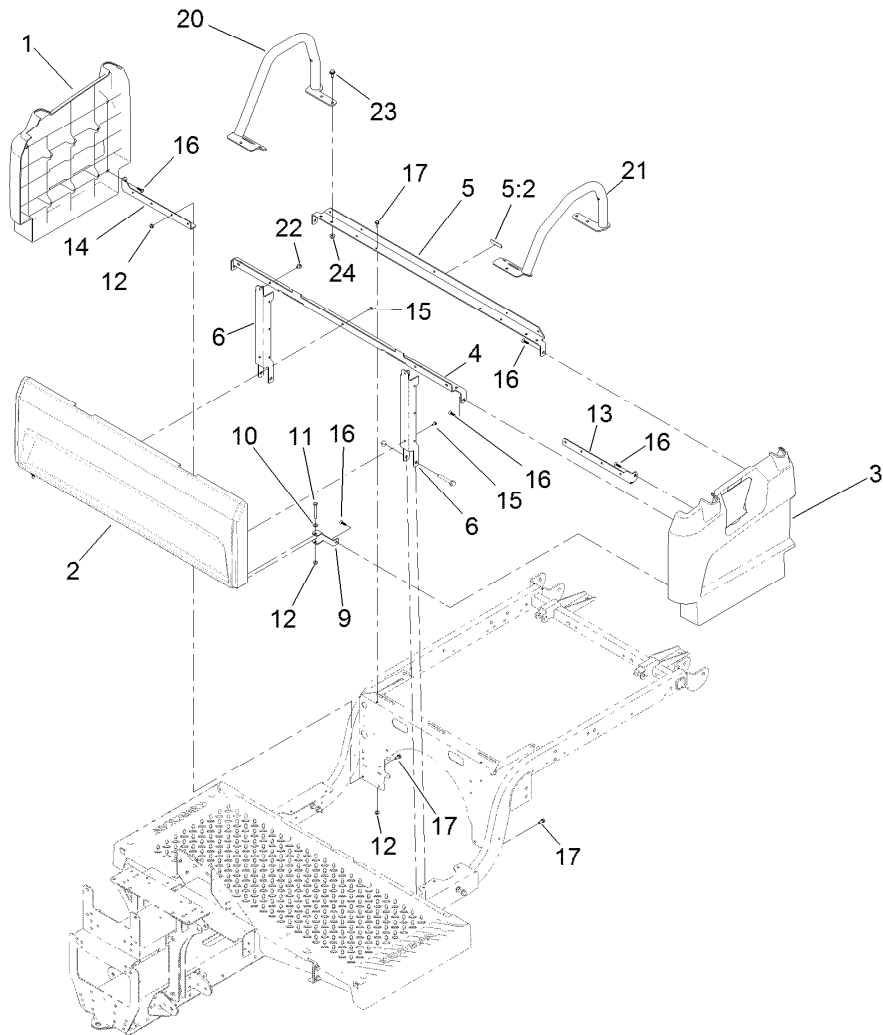
## Hood and Fender Assembly

| <i>Ref.</i> | <i>Part Number</i> | <i>Qty.</i> | <i>Description</i>    | <i>Ref.</i> | <i>Part Number</i> | <i>Qty.</i> | <i>Description</i>         |
|-------------|--------------------|-------------|-----------------------|-------------|--------------------|-------------|----------------------------|
| 1           | 132-8530           | 1           | Bumper                | 12          | 127-7771           | 1           | Fender-Front, LH           |
| 2           | 131-8455-03        | 1           | Bracket-Headlight, LH | 13          | 127-7772           | 1           | Fender-Front, RH           |
| 3           | 131-8456-03        | 1           | Bracket-Headlight, RH | 14          | 3234-33            | 4           | Screw-HHF                  |
| 4           | 46-8091            | 8           | Screw-HWH             | 15          | 3256-2             | 4           | Washer-Flat                |
| 5           | 138-9260           | 2           | Headlight ASM         | 16          | 104-7201           | 4           | Nut-HF, NI                 |
| 6           | 115-2408           | 6           | Clip-Speed            | 17          | 32144-70           | 2           | Screw-HWHTF                |
| 7           | 136-6281           | 1           | Hood                  | 18          | 125-1122           | 2           | Screw                      |
| 8           | 117-5094           | 2           | Pin-Clevis            | 19          | 131-8402           | 2           | Strap-Down, Hold           |
| 9           | 32121-50           | 2           | Pin-Spring            | 20          | 3296-56            | 2           | Nut-Lock, NI               |
| 10          | 112-3308           | 2           | Retainer-Pin          | 21          | 140-4585           | 2           | Decal-Fender, Gtx, Lithium |
| 11          | 121-9605           | 6           | Screw-HWH             | 23          | 133-7210           | 1           | Seal-Trim, Hood            |



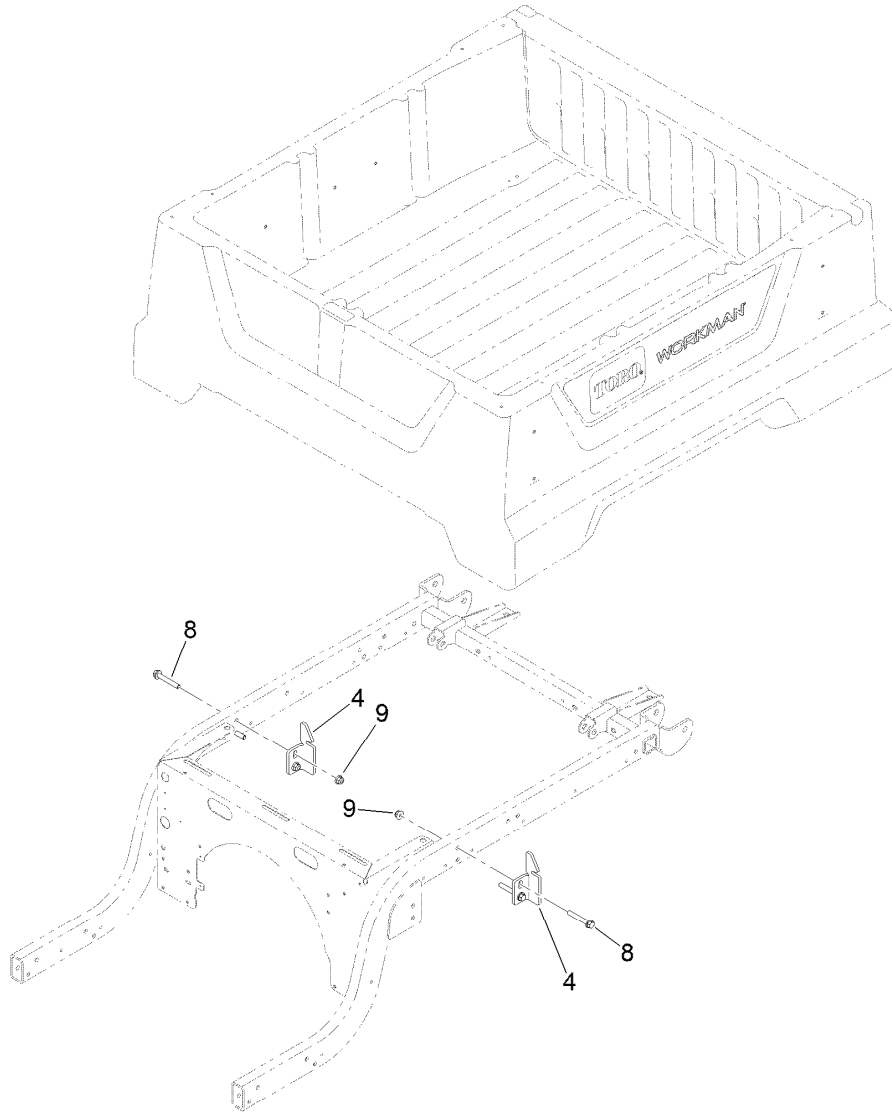
## Dash Assembly

| Ref. | Part Number | Qty. | Description        | Ref. | Part Number | Qty. | Description                   |
|------|-------------|------|--------------------|------|-------------|------|-------------------------------|
| 2    | 127-7846    | 1    | Footboard          | 13   | 131-8568-03 | 1    | Reinforcement-Dash            |
| 3    | 127-7847    | 1    | Cover-Footboard    | 14   | 49-2040     | 8    | Screw-HWHTF                   |
| 4    | 107-7461    | 2    | Screw-Plastite     | 16   | 145-2263    | 1    | Decal-Control Panel, Electric |
| 5    | 127-7831-03 | 1    | Angle              | 18   | 131-8493    | 1    | Decal-USB                     |
| 6    | 131-8336-03 | 1    | Bracket-Dash, RH   | 20   | 131-8569-03 | 2    | Bracket-Dash, Side            |
| 7    | 145-2094-03 | 1    | Bracket-Dash, LH   | 23   | 104-9368    | 1    | Plug-Dome                     |
| 9    | 132-6777    | 20   | Screw-Twh Thd Roll | 26   | 145-2098    | 1    | Dash-Gtx Lithium              |
| 10   | 104-7201    | 6    | Nut-HF, NI         | 26:2 | 145-2261    | 1    | Decal-Dashboard, Gtx          |
| 11   | 3256-2      | 2    | Washer-Flat        |      |             |      |                               |
| 12   | 32144-70    | 4    | Screw-HWHTF        |      |             |      |                               |



## Seatbase Assembly

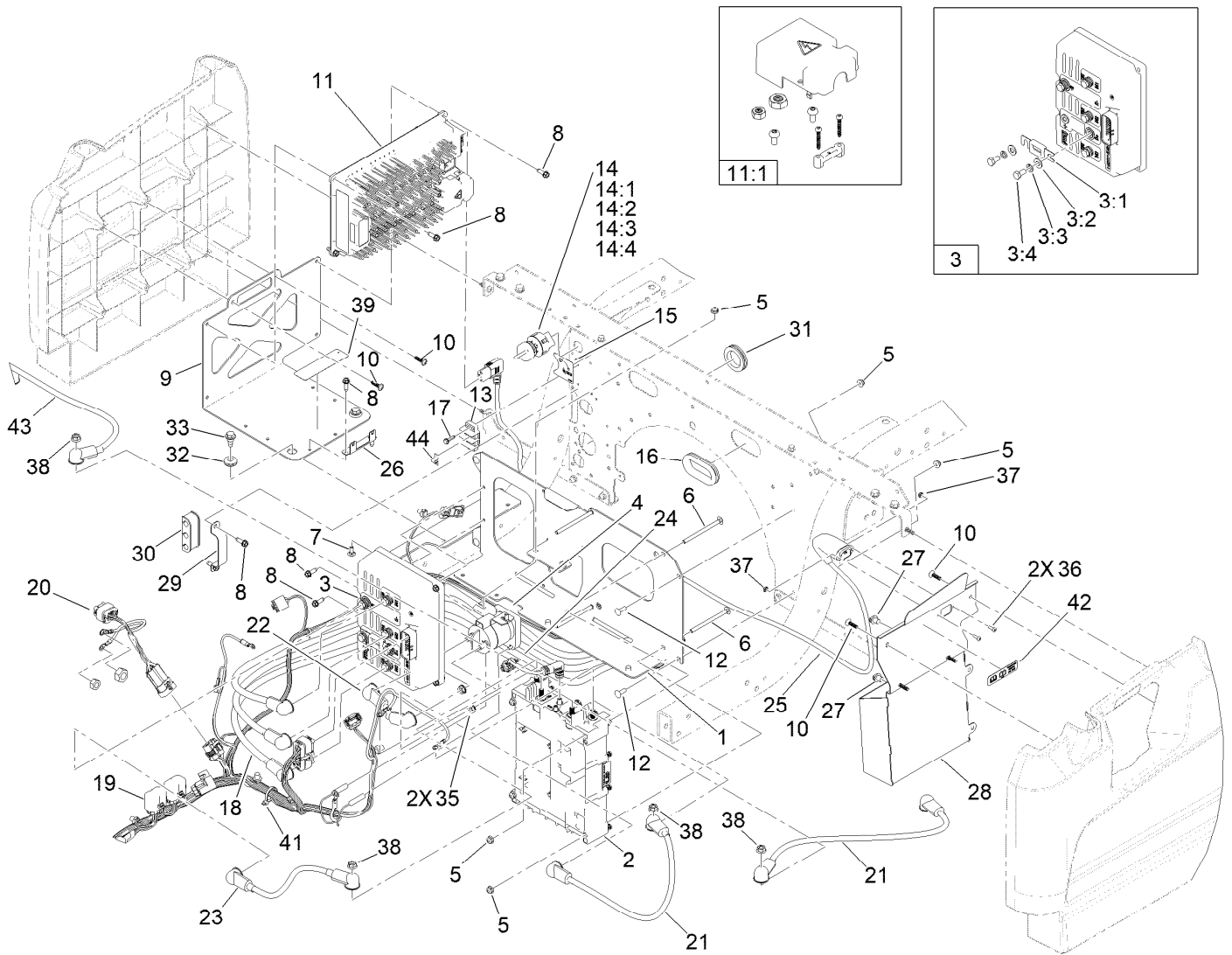
| Ref. | Part Number | Qty. | Description           | Ref. | Part Number | Qty. | Description                |
|------|-------------|------|-----------------------|------|-------------|------|----------------------------|
| 1    | 127-7805    | 1    | Side-Base, Seat (RH)  | 13   | 127-7842-03 | 1    | Bracket-Support, Side (LH) |
| 2    | 133-7188    | 1    | Panel-Base, Seat      | 14   | 127-7843-03 | 1    | Bracket-Support, Side (RH) |
| 3    | 127-7807    | 1    | Side-Base, Seat (LH)  | 15   | 112-6349    | 5    | Screw-HWH                  |
| 4    | 133-7345-03 | 1    | Support-Seat          | 16   | 120-2349    | 8    | Screw                      |
| 5    | 137-6991    | 1    | Seat Support ASM      | 17   | 3234-33     | 6    | Screw-HHF                  |
| 5:2  | 120-9570    | 1    | Decal-Warning         | 20   | 131-8352-05 | 1    | Restraint-Hip, RH          |
| 6    | 127-7841-03 | 2    | Channel-Support, Seat | 21   | 131-8353-05 | 1    | Restraint-Hip, LH          |
| 9    | 127-7844-03 | 2    | Clamp-Plate, Floor    | 22   | 46-6810     | 2    | Screw And Washer ASM       |
| 10   | 3256-22     | 2    | Washer-Flat           | 23   | 32144-70    | 6    | Screw-HWHTF                |
| 11   | 321-18      | 2    | Screw-HH              | 24   | 104-8300    | 6    | Nut-HF, NI                 |
| 12   | 104-7201    | 8    | Nut-HF, NI            |      |             |      |                            |



## Cargo Bed Assembly

| <i>Ref.</i> | <i>Part Number</i> | <i>Qty.</i> | <i>Description</i> |
|-------------|--------------------|-------------|--------------------|
| 4           | 127-7428-03        | 2           | Striker-Latch, Bed |
| 8           | 3234-39            | 4           | Screw-HHF          |
| 9           | 104-8301           | 4           | Nut-HF, NI         |

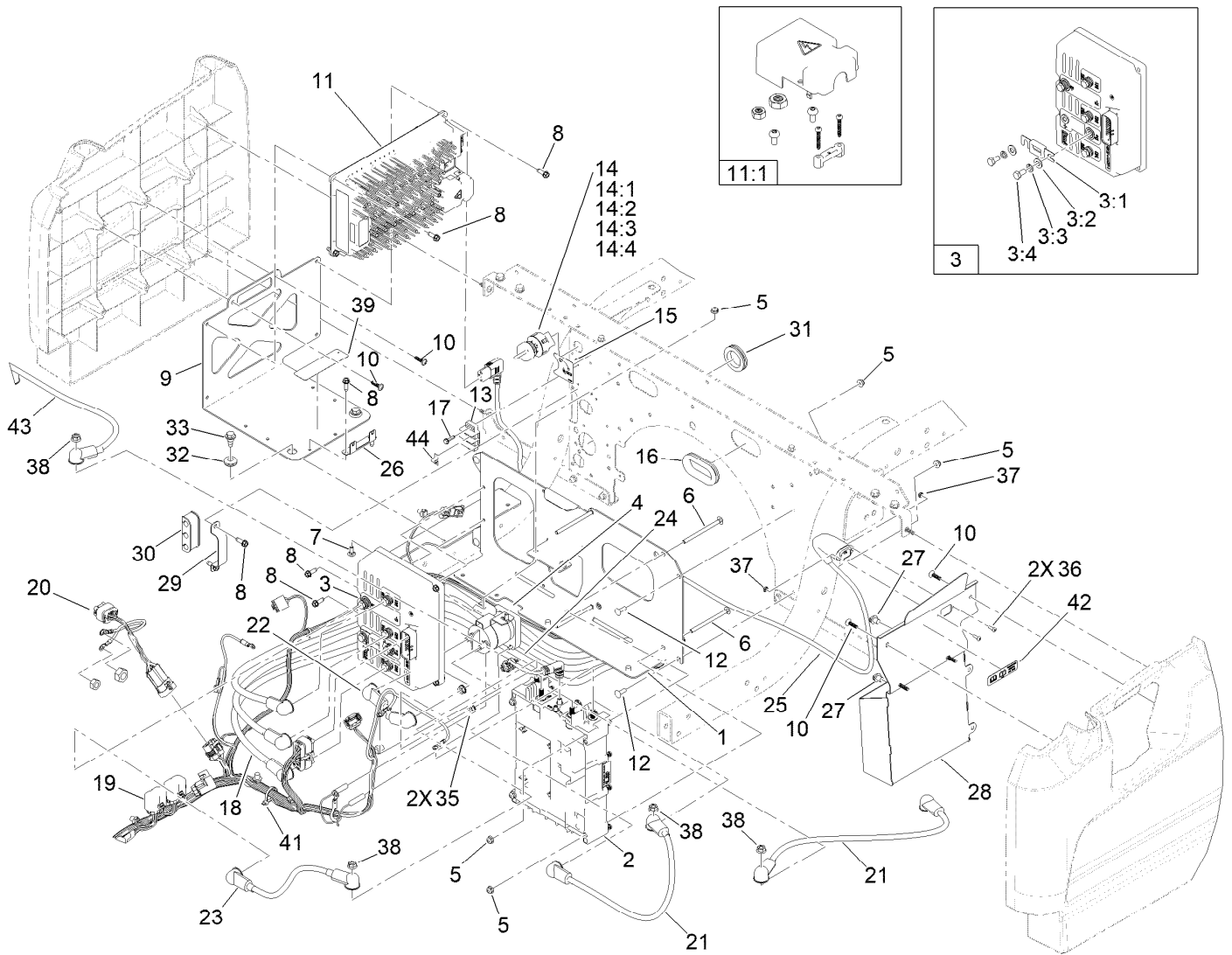




## Controller and Charger Assembly

| Ref. | Part Number | Qty. | Description                 | Ref. | Part Number | Qty. | Description                            |
|------|-------------|------|-----------------------------|------|-------------|------|--|
| 1    | 139-4639-03 | 1    | Bracket-Controller, Lithium | 14   | 110-2580    | 1    | Switch-Key, Supervisor                 |
| 2    | 137-9651    | 1    | Controller                  | 14:1 |             | 1    | Switch-Key ●                           |
| 3    | 139-4600    | 1    | Controller-Sevcon           | 14:2 | 108-8660    | 1    | Nut-Mounting                           |
| 3:1  | 131-8494    | 1    | Fuse-425 Amp                | 14:3 | 110-5221    | 1    | Set-Key, Supervisor                    |
| 3:2  | 33094-00    | 6    | Washer-Plain                | 14:4 | 108-8659    | 1    | Washer-Backup                          |
| 3:3  | 3253-4      | 6    | Washer-Lock                 | 15   | 131-8527    | 1    | Decal-Mode                             |
| 3:4  | 33114-016   | 6    | Screw-HH                    | 16   | 240-12      | 1    | Grommet-Rubber                         |
| 4    | 104-7136    | 1    | Contactora-Trombetta        | 17   | 100-4351    | 2    | Screw-HWH                              |
| 5    | 104-7201    | 10   | Nut-HF, NI                  | 18   | 122-1718    | 3    | Battery-Cable, Positive ASM            |
| 6    | 139-4633    | 4    | Screw-Carriage              | 19   | 122-2488    | 1    | Harness-Wire, Gtx-E, Samsung Li, Main  |
| 7    | 3229-11     | 2    | Screw-CARR                  | 20   | 122-1918    | 1    | Harness-Wire, Gtx-Li Charger Interface |
| 8    | 49-2040     | 12   | Screw-HWHTF                 | 21   | 122-1741    | 2    | Cable-Battery, Positive ASM            |
| 9    | 139-4629-03 | 1    | Bracket-Charger, Lithium    | 22   | 122-1743    | 1    | Cable-Battery, Positive ASM            |
| 10   | 120-2349    | 6    | Screw                       | 23   | 122-1745    | 1    | Cable-Battery, Negative ASM            |
| 11   | 139-4645    | 1    | Charger-48V Onboard         |      |             |      |  |
| 11:1 | 140-2494    | 1    | Charger Kit-Service         |      |             |      |  |
| 12   | 1-807512    | 4    | Bolt-CARR                   |      |             |      |  |
| 13   | 42862       | 1    | Block-Terminal, Ground      |      |             |      |  |

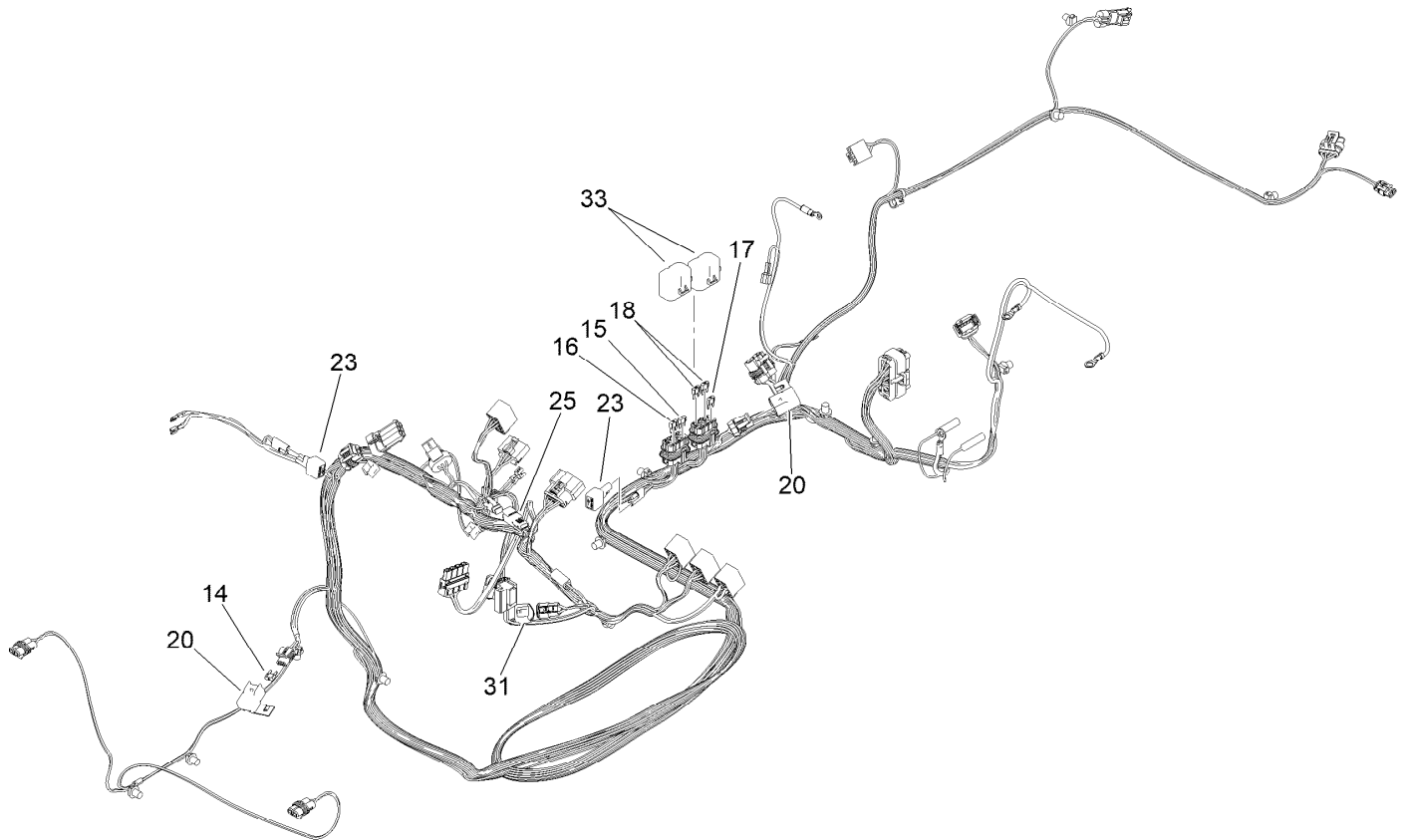
● Not serviced separately



## Controller and Charger Assembly (continued)

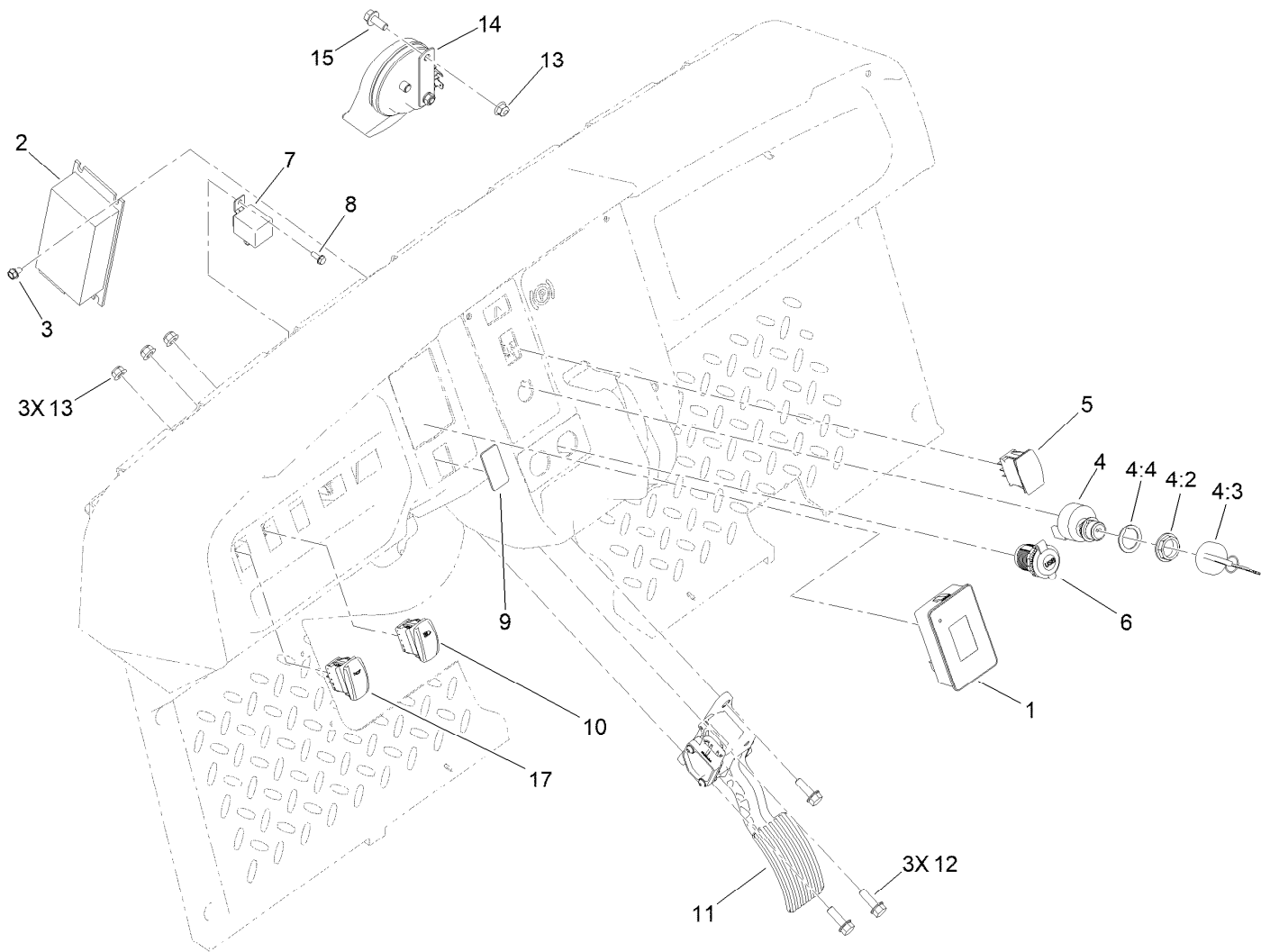
| Ref. | Part Number | Qty. | Description                     | Ref. | Part Number | Qty. | Description                 |
|------|-------------|------|---------------------------------|------|-------------|------|-----------------------------|
| 24   | 122-1667    | 1    | Harness-Wire, Interface(System) | 33   | 99-5105     | 2    | Screw-Shoulder              |
| 25   | 140-4628    | 1    | Cordset W/Filter                | 35   | 107-0380    | 2    | Nut-HHF                     |
| 26   | 138-9299    | 1    | Bracket-Fuse Block              | 36   | 3250-26     | 2    | Screw-PPH                   |
| 27   | 32180-030   | 4    | Clip-Tie                        | 37   | 3296-54     | 2    | Nut-Lock                    |
| 28   | 140-2496-05 | 1    | Bracket-Charger Outlet ASM [blk | 38   | 140-2488    | 4    | Nut-HF                      |
| 29   | 140-4579    | 1    | Retainer-Isolator               | 39   | 145-2275    | 1    | Decal-Fuse Block 48V        |
| 30   | 131-8420    | 1    | Isolator-Clamp                  | 41   | 3290-378    | 1    | Tie-Cable                   |
| 31   | 240-7       | 1    | Grommet-Rubber                  | 42   | 140-4590    | 1    | Decal-Charger Input Lithium |
| 32   | 1-633630    | 2    | Grommet                         | 43   | 122-1744    | 1    | Cable-Battery, Negative ASM |
|      |             |      |                                 | 44   | 42863       | 1    | Strip-Jumper                |

● Not serviced separately



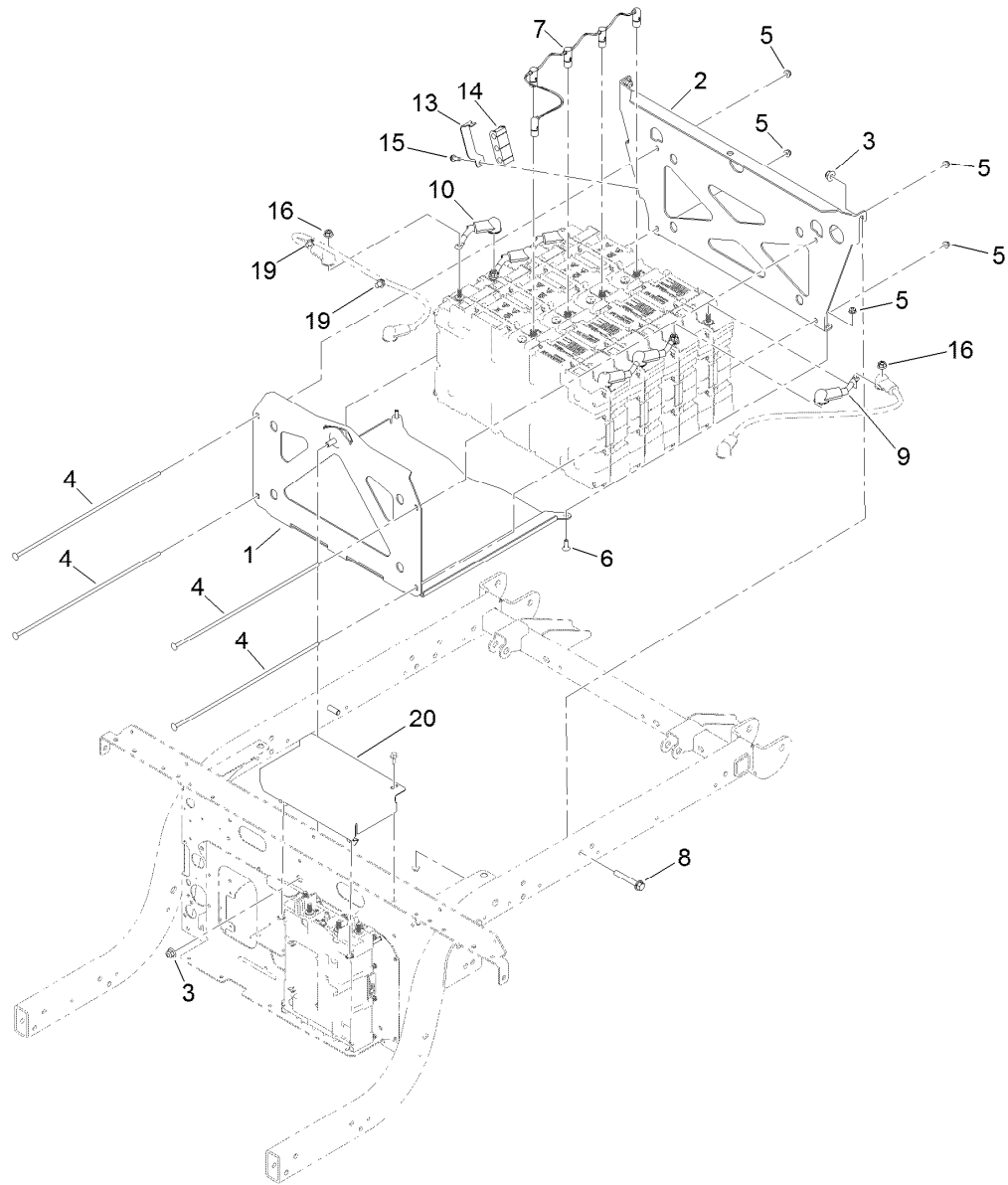
## Main Wire Harness Assembly No. 122-2488

| <i>Ref.</i> | <i>Part Number</i> | <i>Qty.</i> | <i>Description</i>                 |
|-------------|--------------------|-------------|------------------------------------|
| 14          | 121-8875           | 1           | Fuse-Mini Blade, 2 Amp             |
| 15          | 121-8864           | 1           | Fuse-Mini Blade, 5 Amp             |
| 16          | 121-8866           | 1           | Fuse-Mini Blade, 10 Amp            |
| 17          | 121-8880           | 1           | Fuse-Mini Blade, 10 Amp            |
| 18          | 121-8882           | 2           | Fuse-Mini Blade, 20 Amp            |
| 20          | 32180-101          | 2           | Cover-Fuse, Single                 |
| 23          | 100-4918           | 2           | Diode                              |
| 25          | 32180-282          | 1           | Resistor-120 Ohm                   |
| 31          | 32180-089          | 1           | Cap-Plug, 3 Way                    |
| 33          | 32180-195          | 2           | Cover-Cooper-Bussmann, Cfh (Short) |



## Accelerator Pedal and Horn Assembly

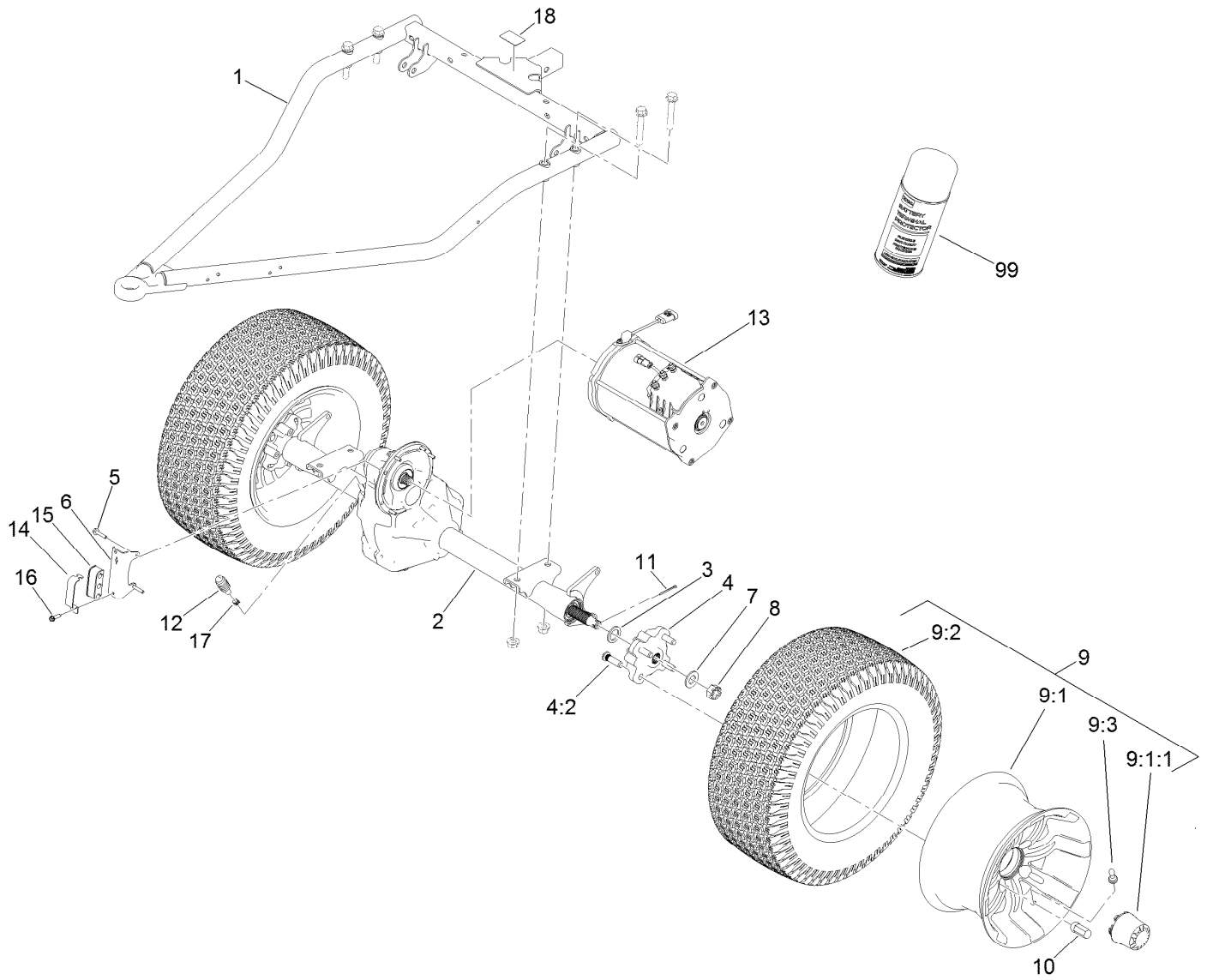
| Ref. | Part Number | Qty. | Description                 | Ref. | Part Number | Qty. | Description                  |
|------|-------------|------|-----------------------------|------|-------------|------|------------------------------|
| 1    | 122-2152    | 1    | Controller, Tdm-1601        | 9    | 99-7420     | 1    | Plug-Hole                    |
| 2    | 137-7952    | 1    | Converter-DC-DC             | 10   | 144-2405    | 1    | Switch-Rocker, On-None-On    |
| 3    | 99-8445     | 2    | Screw-HWH                   | 11   | 121-9675    | 1    | Pedal-Accelerator            |
| 4    | 106-5269    | 1    | Ignition Switch ASM         | 12   | 3234-29     | 3    | Screw-HHF                    |
| 4:2  | 108-8660    | 1    | Nut-Mounting                | 13   | 104-8300    | 4    | Nut-HF, NI                   |
| 4:3  | 106-5270    | 1    | Ignition Key Set            | 14   | 107-0358    | 1    | Horn                         |
| 4:4  | 108-8659    | 1    | Washer-Backup               | 15   | 3234-5      | 1    | Screw-HHF                    |
| 5    | 144-2407    | 1    | Switch-Rocker, On-Off-On    | 17   | 144-2415    | 1    | Switch-Rocker, (On)-None-Off |
| 6    | 131-8388    | 1    | Socket-USB                  |      |             |      |                              |
| 7    | 122-2401    | 1    | Relay, 48V Coil, 50A At 48V |      |             |      |                              |
| 8    | 32144-1     | 1    | Screw-Taptite               |      |             |      |                              |



## Battery Cable Assembly

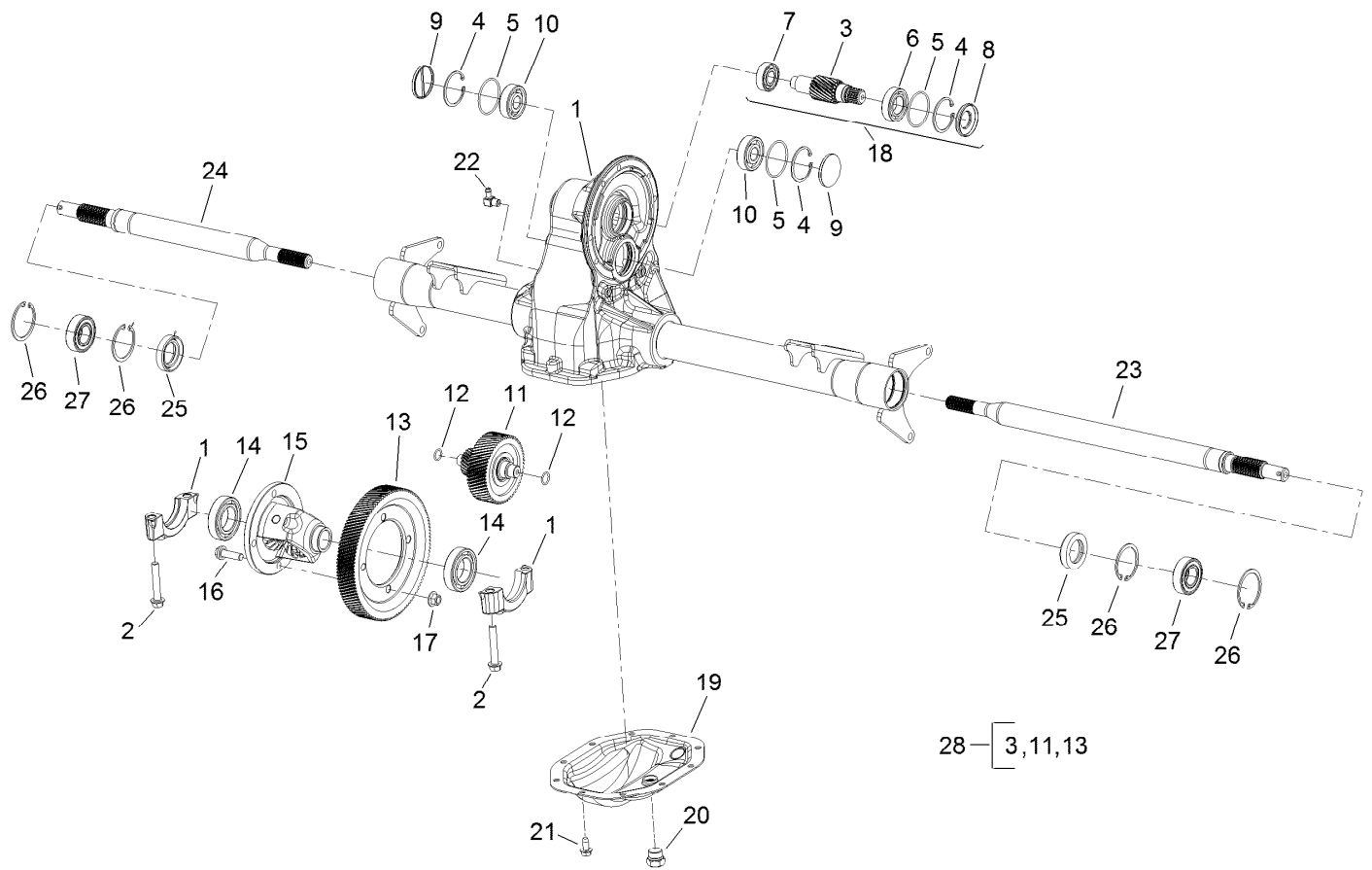
| <i>Ref.</i> | <i>Part Number</i> | <i>Qty.</i> | <i>Description</i>        | <i>Ref.</i> | <i>Part Number</i> | <i>Qty.</i> | <i>Description</i>      |
|-------------|--------------------|-------------|---------------------------|-------------|--------------------|-------------|-------------------------|
| 1           | 139-4609-03        | 1           | Front Bracket ASM [black] | 10          | 122-1697           | 3           | Cable-Battery, Negative |
| 2           | 139-4636-03        | 1           | Bracket-Rear, Lithium     | 13          | 131-8482           | 1           | Retainer-Isolator       |
| 3           | 104-8301           | 3           | Nut-HF, NI                | 14          | 131-8420           | 1           | Isolator-Clamp          |
| 4           | 139-4628           | 4           | Screw-CARR                | 15          | 49-2040            | 1           | Screw-HWHTF             |
| 5           | 104-7201           | 6           | Nut-HF, NI                | 16          | 140-2488           | 8           | Nut-HF                  |
| 6           | 1-807512           | 2           | Bolt-CARR                 | 17          | 107-0384           | 1           | Powercord-AC ●          |
| 7           | 122-1716           | 1           | Cable-Data, Samsung M/S   | 19          | 32180-030          | 2           | Clip-Tie                |
| 8           | 3234-39            | 2           | Screw-HHF                 | 20          | 140-4799-03        | 1           | Bracket-Shield, Bms     |
| 9           | 122-1696           | 3           | Cable-Battery, Positive   |             |                    |             |                         |

● Not illustrated



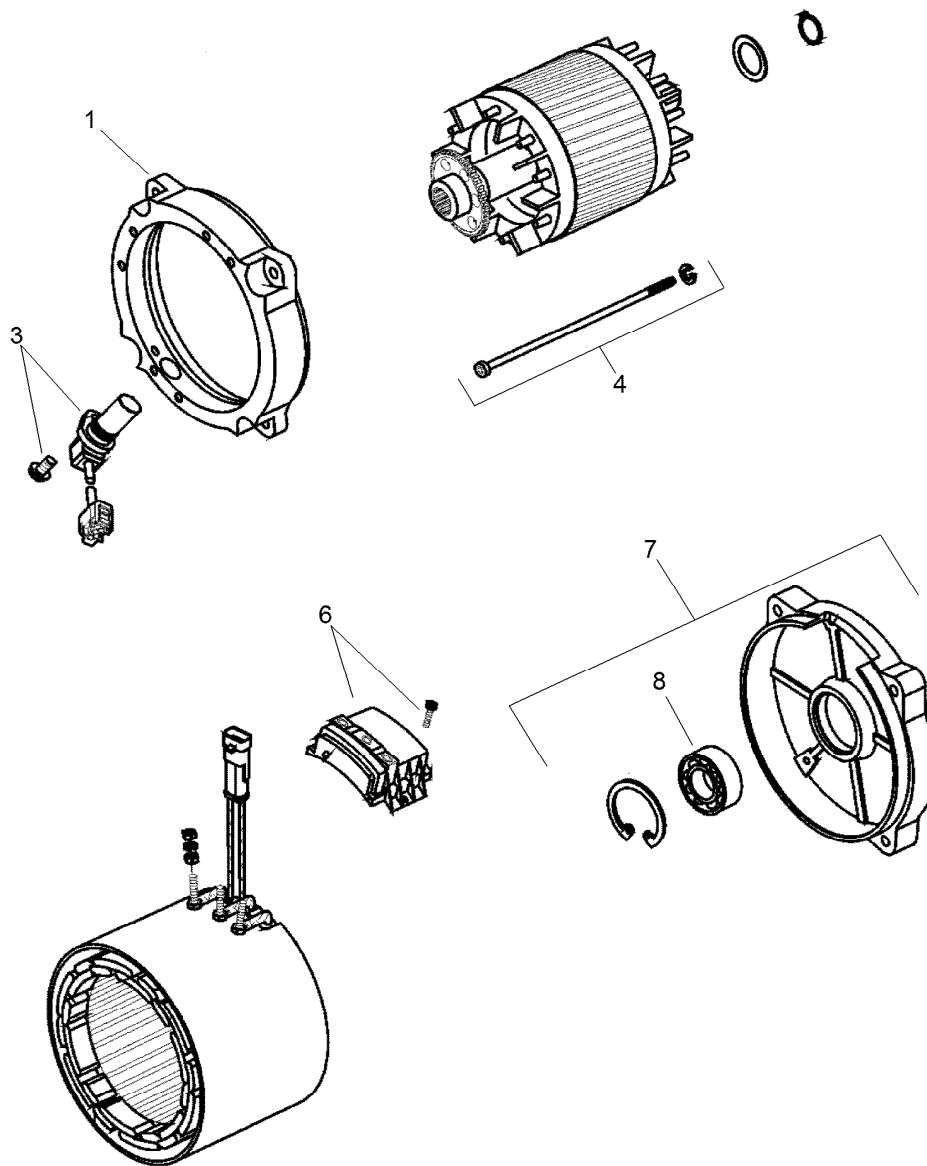
## Rear Wheel and Transaxle Assembly

| Ref. | Part Number | Qty. | Description                 | Ref.  | Part Number | Qty. | Description                  |
|------|-------------|------|-----------------------------|-------|-------------|------|------------------------------|
| 1    | 140-2568-03 | 1    | Gtx-E Swing Arm ASM [black] | 9:1:1 | 140-4570    | 1    | Cap-Aluminum Wheel           |
| 2    | 136-6340    | 1    | Transaxle ASM               | 9:2   | 120-3271    | 1    | Tire                         |
| 3    | 131-8570    | 2    | Spacer-Hardened             | 9:3   | 232-27      | 1    | Stem-Valve                   |
| 4    | 140-4849    | 2    | Hub ASM, Rear               | 10    | 139-3603    | 8    | Nut-Lug                      |
| 4:2  | 10-6830     | 4    | Stud-Type, Drive            | 11    | 1-806800    | 2    | Pin-Cotter                   |
| 5    | 33103-030   | 6    | Screw-HHF                   | 12    | 127-8859    | 1    | Bellows-Breather             |
| 6    | 131-8416    | 1    | Bracket-Cable               | 13    | 137-6936    | 1    | Motor-AC                     |
| 7    | 92-5836     | 2    | Washer                      | 14    | 131-8482    | 1    | Retainer-Isolator            |
| 8    | 32136-5     | 2    | Nut-Hex, Slotted            | 15    | 131-8420    | 1    | Isolator-Clamp               |
| 9    | 139-4649    | 2    | Aluminum Whl And Tire ASM   | 16    | 49-2040     | 1    | Screw-HWHTF                  |
| 9:1  | 139-4601    | 1    | Wheel-Aluminum              | 17    | 2412-146    | 1    | Clamp-Hose                   |
|      |             |      |                             | 18    | 137-9984    | 1    | Decal-Load, Towing           |
|      |             |      |                             | 99    | 107-0392    | 1    | Protection-Terminal, Aerosol |



## Transaxle Assembly No. 136-6340

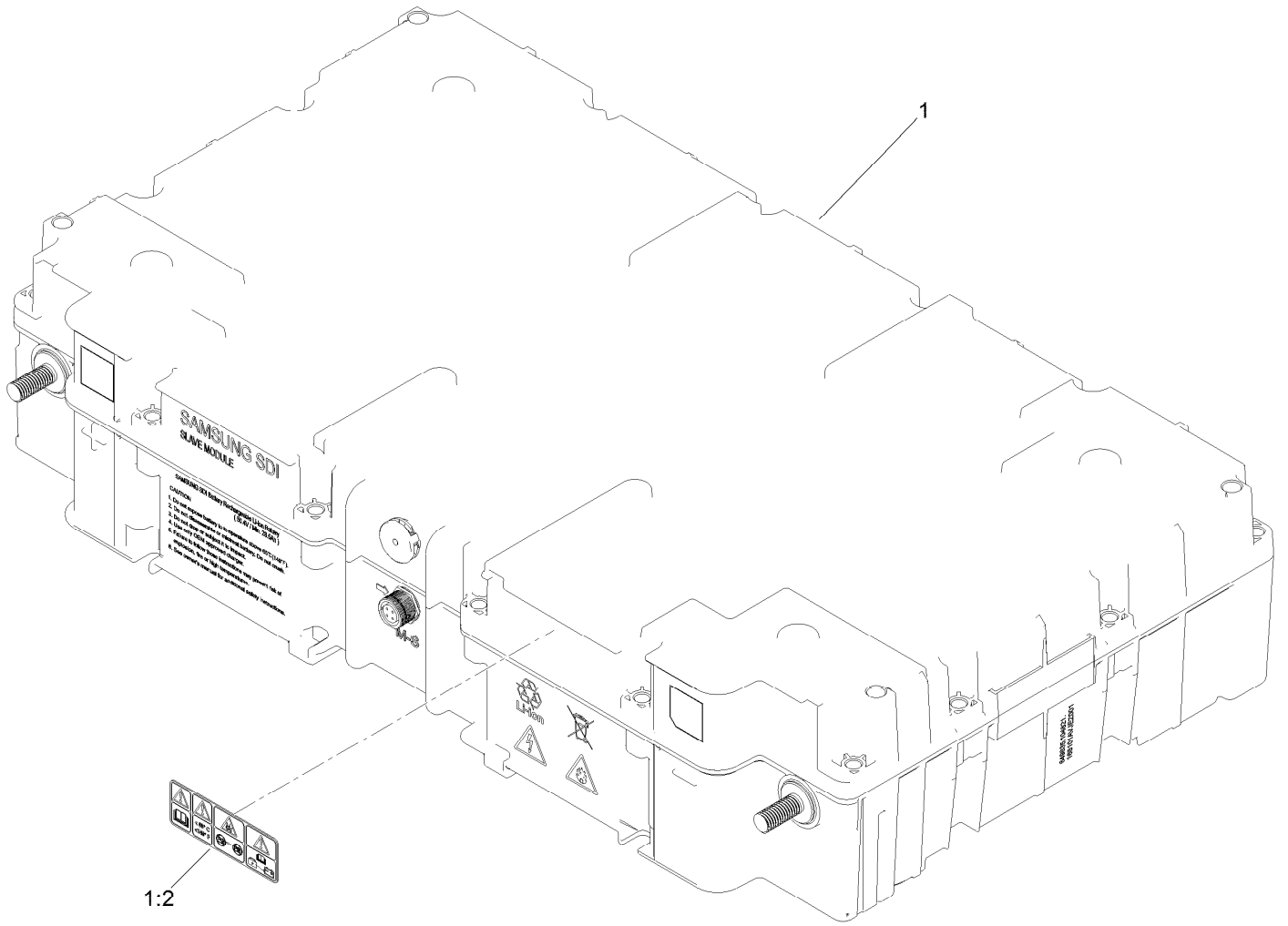
| Ref. | Part Number | Qty. | Description           | Ref. | Part Number | Qty. | Description       |
|------|-------------|------|-----------------------|------|-------------|------|-------------------|
| 1    | 133-2447    | 1    | Housing-Axle          | 15   | 133-2461    | 1    | Differential ASM  |
| 2    | 133-2448    | 4    | Bolt-Cap, Bearing     | 16   | 133-2462    | 4    | Bolt-HHF          |
| 3    | 133-2485    | 1    | Gear-Input            | 17   | 133-2463    | 4    | Nut-Lock          |
| 4    | 133-2450    | 3    | Ring-Retaining        | 18   | 133-2487    | 1    | Input Gear Kit    |
| 5    | 133-2451    | 3    | O-Ring                | 19   | 136-6341    | 1    | Plate-Cover       |
| 6    | 133-2452    | 1    | Bearing-Ball          | 20   | 133-2466    | 1    | Plug-HH           |
| 7    | 133-2453    | 1    | Bearing-Ball          | 21   | 133-2467    | 10   | Screw-Tapping     |
| 8    | 133-2454    | 1    | Seal-Oil              | 22   | 133-2468    | 1    | Elbow-Hose        |
| 9    | 133-2455    | 2    | Plug-Cap, End         | 23   | 133-2469    | 1    | Shaft-Axle, LH    |
| 10   | 133-2456    | 2    | Bearing-Ball          | 24   | 133-2470    | 1    | Shaft-Axle, RH    |
| 11   | 133-2486    | 1    | Intermediate Gear ASM | 25   | 112-3140    | 2    | Seal-Oil          |
| 12   | 133-2458    | 2    | O-Ring                | 26   | 133-2472    | 4    | Ring-Retaining    |
| 13   | 133-2459    | 1    | Gear-Drive, Final     | 27   | 108-2425    | 2    | Bearing-Ball      |
| 14   | 133-2460    | 2    | Bearing-Ball          | 28   | 108-2409    | 1    | Internal Gear Kit |



## Electric Motor Assembly No. 137-6936

| <i>Ref.</i> | <i>Part Number</i> | <i>Qty.</i> | <i>Description</i> |
|-------------|--------------------|-------------|--------------------|
| 1           | 132-4924           | 1           | Bracket-End, Drive |
| 3           | 132-4925           | 1           | Sensor             |
| 4           | 132-4926           | 1           | Screw              |
| 6           | 132-4927           | 1           | Plate-Connection   |
| 7           | 132-4928           | 1           | Bracket-End, Rear  |
| 8           | 132-4929           | 1           | Bearing            |





## Battery Assembly No. 04070

| Ref. | Part Number | Qty. | Description           |
|------|-------------|------|-----------------------|
| 1    |             | 1    | Battery Service ASM ● |
| 1:2  | 137-9712    | 1    | Decal-Safety          |

● Not serviced separately

# Attachments and Accessories

## For 07413LT Workman GTX Lithium Utility Vehicle

| <b>Product Name</b>   | <b>Model/Part</b> |
|---|-------------------|
| Workman GTX 2-Person Canopy .....   | 07921             |
| Steel Cargo Bed Base, Workman GTX Series Utility Vehicle .....                          | 07450             |
| Steel Cargo Bed Solid Sides Kit, Workman GTX Series Utility Vehicle .....               | 07451             |
| 48V Electric Lift Kit.....  | 07143             |
| Rear Attachment Receiver, Workman GTX Series Utility Vehicle with Steel Cargo Bed ..... | 07186             |
| Brush Guard Kit .....   | 07145             |
| Front Hitch Kit, Workman GTX Series Utility Vehicles with Brush Guard .....             | 07146             |
| Front Hitch Kit, Workman GTX or MDX Series Utility Vehicles without Brush Guard .....   | 07147             |
| Steel Flat Bed Kit .....  | 07148             |
| Storage Box Kit.....  | 07156             |
| Brake and Signal Light Kit.....   | 132-8579          |
| Walk Spreader Mounting Kit .....  | 07029             |
| 6in L-Track Kit.....  | 07158             |
| 2in L-Track Kit.....  | 07159             |
| Hose Reel Mounting Kit .....  | 07027             |
| Horn Kit.....   | 133-3017          |
| Reverse Alarm Kit.....  | 131-8549          |
| Power Point Kit .....   | 131-8550          |
| Power Converter Kit.....  | 133-0959          |
| Trash Can Mounting Kit .....  | 07028             |
| Bed Rack Kit .....  | 07031             |
| Cab Kit.....  | 07142             |
| Mount-Ball .....  | 133-7116          |
| Road Light and Homologation Kit .....   | 133-7128          |
| 48V 6 Foot Bed Electric Lift Kit.....   | 07168             |
| Cab Mount Kit, Workman GTX Utility Vehicle with Extended Flatbed .....                  | 133-7198          |
| Service Hood ASM .....  | 133-7209          |
| ROPS Kit .....  | 07032             |
| Cargo Bed Kit .....   | 07046             |
| Bench Seat Base Kit .....   | 07047             |
| Bucket Seat Base Kit .....  | 07048             |
| Small Bedrack Mount Grip Kit .....  | 136-6311          |
| Large Bedrack Mount Grip Kit.....   | 136-6312          |
| Plate-Skid .....  | 137-2887-03       |
| Ignition Switch ASM (Key1) .....  | 138-3505          |
| Ignition Switch ASM (Key2) .....  | 138-3506          |
| Ignition Switch ASM (Key3) .....  | 138-3507          |
| Ignition Switch ASM (Key4) .....  | 138-3508          |
| Ignition Switch ASM (Key5) .....  | 138-3509          |
| Glove Box Cover Kit .....   | 137-2883          |
| Door Mount Mirror Kit.....  | 136-1997          |
| Folding Windshield Kit, Workman GTX Utility Vehicle with Canopy .....                   | 07923             |
| Exterior Mirror Kit.....  | 130-5448          |
| Interior Mirror Kit.....  | 130-5449          |
| Beacon Kit .....  | 130-5484          |

## Attachments and Accessories (continued)

|  |             |
|--|-------------|
| Work Light Kit .....   | 130-5485    |
| Windshield Washer Fluid Kit, 2015 and after Workman MD/HD Series Utility Vehicle ..... | 130-5615    |
| Small Seat Cover .....   | 131-6690    |
| Wide Angle Mirror Kit .....  | 133-1009    |
| Wide Angle Mirror Kit .....  | 133-1038    |
| Bracket-Mount, Radio .....   | 133-7111-03 |
| Wireless Hourmeter Finish Kit .....  | 139-4627    |
| GTX Ball Cage ROPS, Certified .....  | 07161       |
| Canopy W/ ROPS .....   | 07169       |
| Canopy Mount Kit, Workman GTX Utility Vehicle with Extended Flatbed .....              | 07199       |



**Count on it.**