



**Count on it.**

**Parts Catalog**

**Reelmaster® 5610-D  
Traction Unit**

Model No. 03679—Serial No. 316000001 and Up



# Ordering Replacement Parts

To order replacement parts, please supply the part number, the quantity, and the description of each part desired.

## **Understanding Reference Numbers**

Each identified part in an illustration has a reference number. The reference number for a part also appears in the parts list, along with other information about the part.

This catalog uses two special reference number formats, one to indicate parts in a service assembly and another to indicate the quantity of a given part in an illustration.

## **Service Assembly Reference Numbers**

Parts in service assemblies have reference numbers in the form a:b. The a represents the reference number of the entire service assembly and the b represents a sequential number unique to each part within the service assembly.

For example, a wheel assembly might be identified by reference number 6, the tire by 6:1, the valve by 6:2, and the wheel by 6:3. When you order the assembly identified by reference number 6, you receive all parts identified by reference numbers 6:1, 6:2, and 6:3. However, you may also order any part individually. Reference numbers of this type appear in illustration and in parts lists.

## **Reference Numbers Indicating Quantity**

In an illustration, if a reference number indicates more than one part, the reference number has the form nX y. The n represents the quantity of the part, the X is the multiplication symbol, and the y represents the reference number.

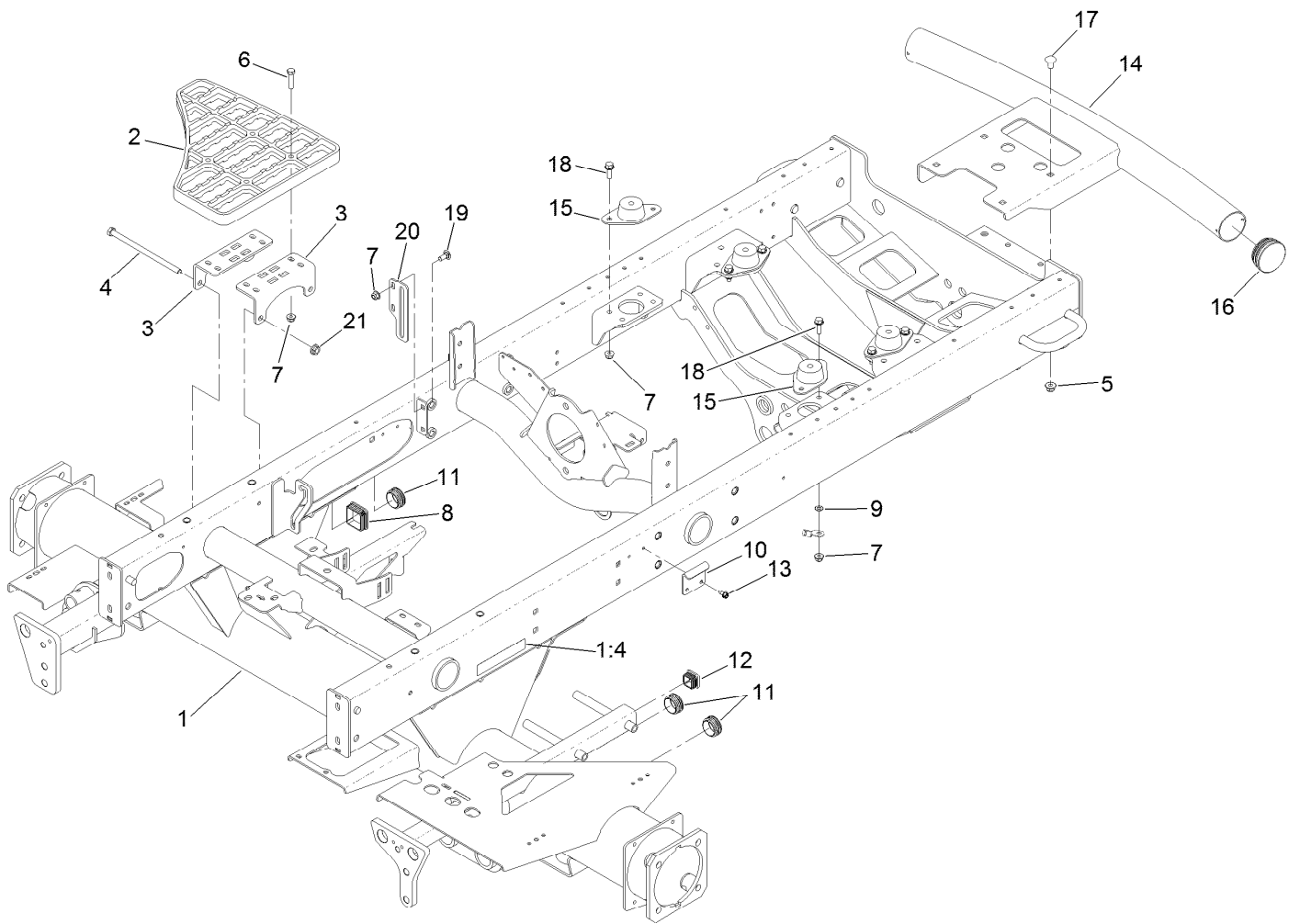
For example, in an illustration, the reference number 2X 37 means that two of the parts identified by reference number 37 are indicated.

# Contents

|  |    |
|--|----|
| Frame Assembly   | 5  |
| Operator Platform and Front Shroud Assembly            | 6  |
| Pedal Assembly   | 7  |
| Steering Assembly                                      | 9  |
| Steering Tilt Column Assembly No. 106-3622             | 10 |
| Steering Valve Assembly No. 106-3621                   | 11 |
| Control Arm Assembly                                   | 12 |
| Joystick Bracket Assembly No. 120-5280                 | 14 |
| Front Axle Assembly                                    | 16 |
| LH Brake Assembly No. 120-6261                         | 17 |
| RH Brake Assembly No. 120-6260                         | 18 |
| Rear Axle Assembly                                     | 19 |
| Tie Rod Assembly No. 110-5334-03                       | 20 |
| No. 1, 4 and 5 Lift Arm Assembly                       | 21 |
| No. 2 and 3 Lift Arm Assembly                          | 22 |
| Seat and Control Arm Wiring Harness Assembly           | 23 |
| Main Wiring Harness Assembly                           | 24 |
| Engine Electrical Assembly                             | 25 |
| Gear Pump Assembly                                     | 26 |
| Gear Pump Assembly No. 107-4547                        | 27 |
| Seat Base Assembly                                     | 28 |
| Hood Assembly  | 29 |
| Cooling System Assembly                                | 30 |
| Hydraulic Tank Assembly                                | 31 |
| Fuel System Assembly                                   | 32 |
| Seat Mounting and Roll-Over Protection System Assembly | 33 |
| Mechanical Seat Suspension Assembly No. 110-8851       | 34 |
| Traction Pump Mounting Assembly                        | 35 |
| Hydraulic Pump Assembly No. 119-6972                   | 36 |
| Hydraulic Drive Assembly                               | 38 |
| Hydraulic Motor Assembly No. 133-2935 (CCW)            | 40 |
| Hydraulic Motor Assembly No. 133-2934 (CW)             | 41 |
| Hydraulic Motor Assembly No. 107-4544                  | 42 |
| Hydraulic Motor Assembly No. 110-0901                  | 43 |
| Four Wheel Drive Manifold Assembly No. 108-1825        | 44 |
| No. 1, 4 and 5 Reel Drive Hydraulic Assembly           | 45 |
| Hydraulic Motor Assembly No. 120-6272                  | 47 |
| Manifold Assembly No. 121-5628                         | 48 |
| No. 2 and 3 Reel Drive Hydraulic Assembly              | 49 |
| No. 1, 4 and 5 Lift Arm Hydraulic Assembly             | 51 |
| Hydraulic Cylinder Assembly No. 119-6988               | 52 |
| Hydraulic Cylinder Assembly No. 119-6987               | 53 |
| Hydraulic Manifold Block Assembly No. 105-7577         | 54 |
| Rear Lift Hydraulic Assembly                           | 55 |
| Steering Hydraulic Assembly                            | 56 |
| Hydraulic Cylinder Assembly No. 110-9035               | 58 |
| Engine, Muffler and Air Cleaner Assembly               | 59 |
| Air Cleaner Assembly No. 98-4517                       | 61 |
| Drive Shaft Assembly No. 120-3756                      | 62 |
| Cylinder Block Assembly                                | 63 |
| Gear Housing Assembly                                  | 64 |
| Flywheel Housing and Oil Sump Assembly                 | 65 |
| Cylinder Head and Cover Assembly                       | 66 |
| Suction Manifold Assembly                              | 68 |

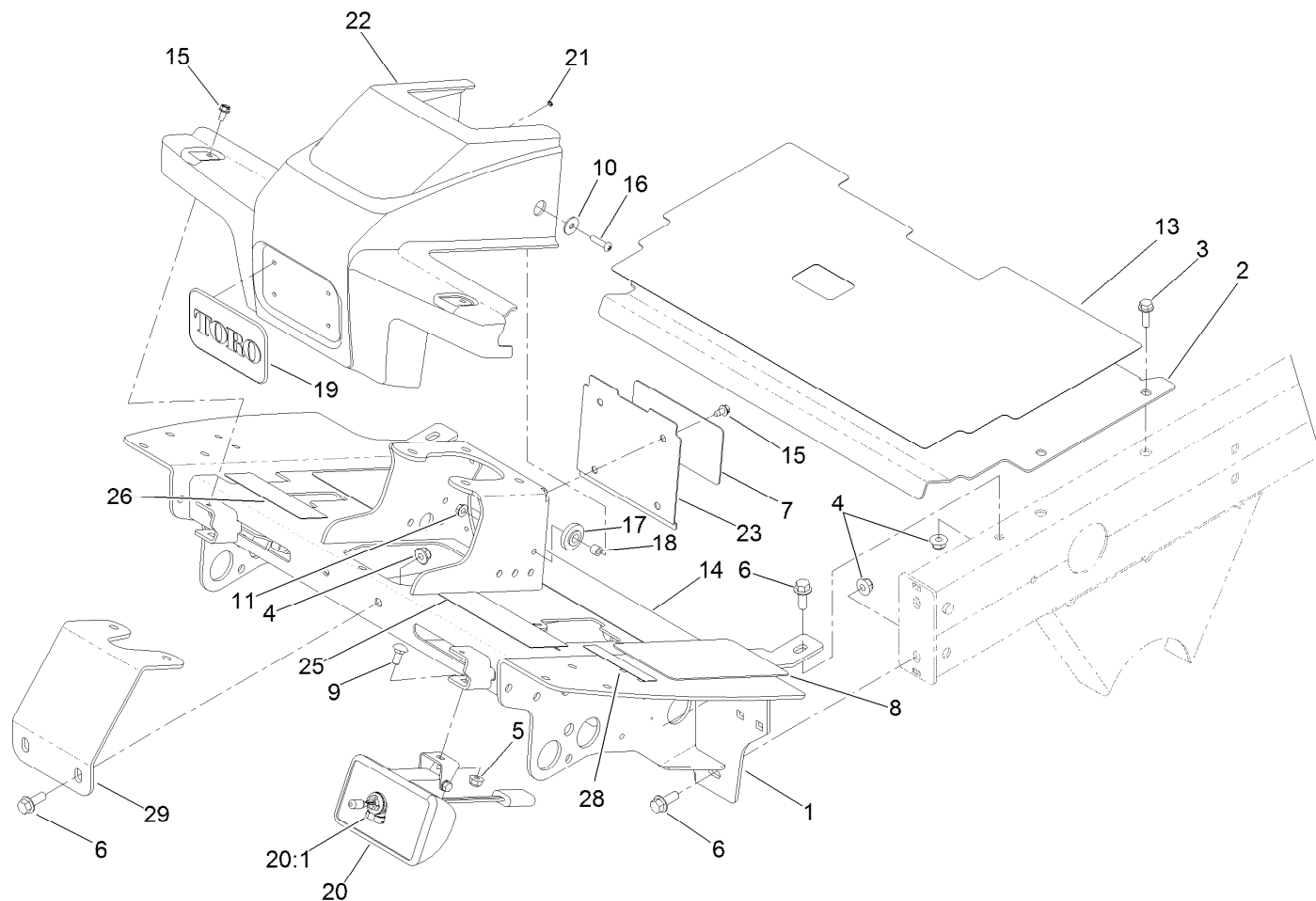
# Contents (continued)

|   |    |
|---|----|
| Exhaust Manifold Assembly . . . . .           | 69 |
| Diesel Particulate Filter Assembly . . . . .  | 70 |
| Camshaft and Driving Gear Assembly . . . . .  | 72 |
| Turbine Assembly . . . . .                    | 73 |
| Crankshaft and Piston Assembly . . . . .      | 74 |
| Lubrication and Oil System Assembly . . . . . | 75 |
| Lubrication Oil Line Assembly . . . . .       | 76 |
| Cooling Water System Assembly . . . . .       | 77 |
| Fuel System Assembly . . . . .                | 78 |
| Fuel Line Assembly . . . . .                  | 79 |
| Fuel Injection Valve Assembly . . . . .       | 80 |
| Generator Assembly . . . . .                  | 81 |
| Starting Motor Assembly . . . . .             | 82 |
| Electric Parts Assembly . . . . .             | 84 |
| Gasket Set . . . . .                          | 85 |
| Attachments and Accessories . . . . .         | 87 |



## Frame Assembly

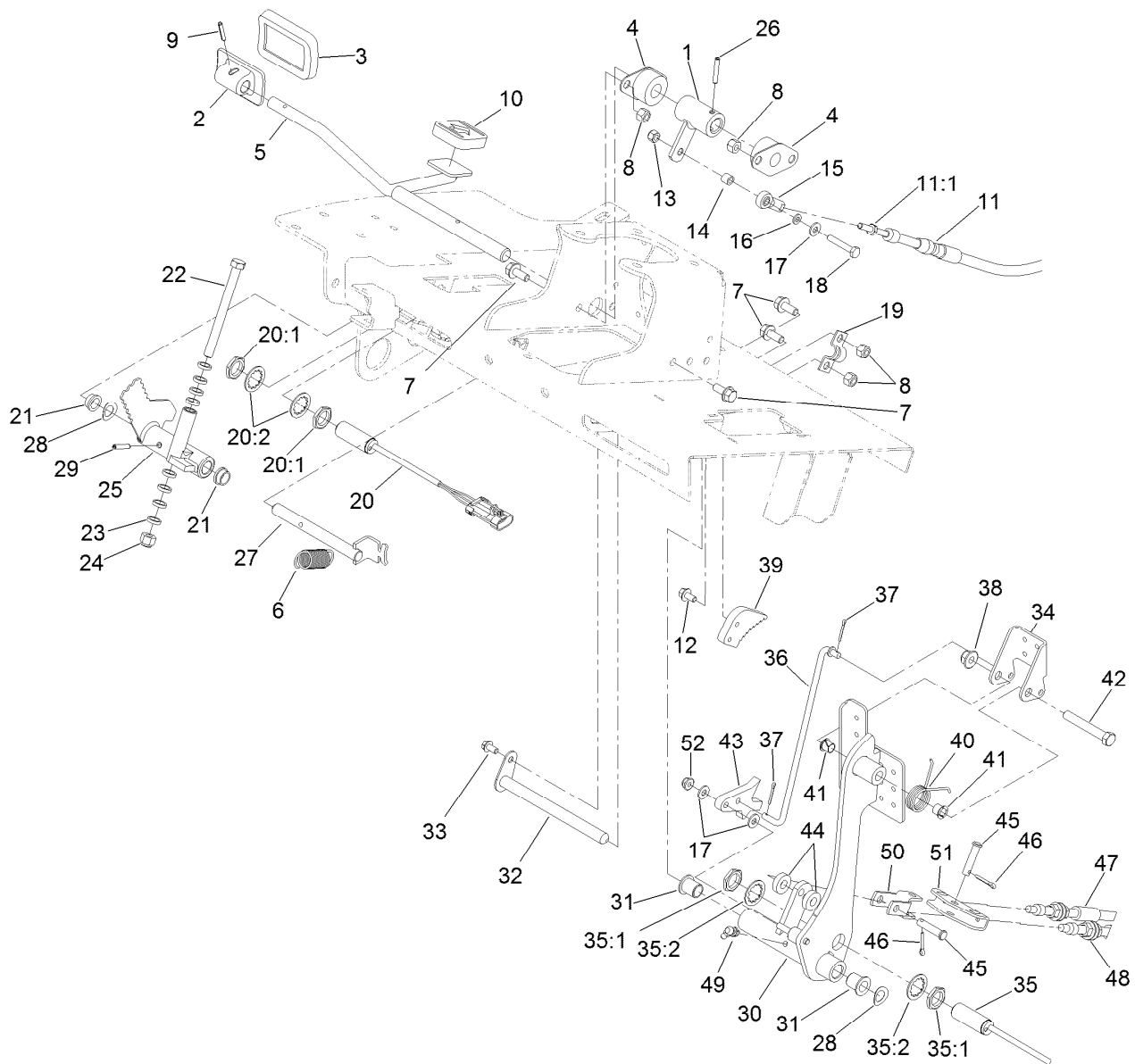
| <i>Ref.</i> | <i>Part Number</i> | <i>Qty.</i> | <i>Description</i> | <i>Ref.</i> | <i>Part Number</i> | <i>Qty.</i> | <i>Description</i> |
|-------------|--------------------|-------------|--------------------|-------------|--------------------|-------------|--------------------|
| 1           | 120-3803           | 1           | Frame ASM          | 11          | 110-9012           | 3           | Caplug             |
| 1:4         | 93-6689            | 2           | Decal-No Riders    | 12          | 110-9013           | 1           | Caplug             |
| 2           | 110-9041           | 2           | Step-Aluminum      | 13          | 32104-17           | 2           | Screw-HWH          |
| 3           | 127-2697-01        | 4           | Bracket-Step       | 14          | 110-8951-03        | 1           | Bumper             |
| 4           | 323-36             | 4           | Screw-HH           | 15          | 120-6274           | 4           | Mount-Engine       |
| 5           | 104-8301           | 4           | Nut-HF, NI         | 16          | 2410-42            | 2           | Cap-End            |
| 6           | 322-17             | 8           | Screw-HH           | 17          | 3231-21            | 4           | Screw-CARR         |
| 7           | 104-8300           | 18          | Nut-HF, NI         | 18          | 3234-29            | 8           | Screw-HHF          |
| 8           | 95-9495            | 1           | Cap                | 19          | 3230-1             | 2           | Bolt-CARR          |
| 9           | 3255-8             | 1           | Washer-Lock        | 20          | 108-7584-01        | 1           | Plate-Guide, Rod   |
| 10          | 110-8972           | 1           | Hook-Latch         | 21          | 32128-21           | 4           | Nut-HF Lock        |



Items 20:2, 20:3 and 20:4  
not used on this model.

## Operator Platform and Front Shroud Assembly

| Ref. | Part Number | Qty. | Description          | Ref. | Part Number | Qty. | Description           |
|------|-------------|------|----------------------|------|-------------|------|-----------------------|
| 1    | 127-2310-01 | 1    | Platform ASM         | 18   | 66-8010     | 2    | Spacer                |
| 2    | 115-8064-01 | 1    | Plate-Floor          | 19   | 93-6028     | 1    | Plate-Logo            |
| 3    | 3234-17     | 4    | Screw-HHF            | 20   | 94-9024     | 2    | Lamp ASM              |
| 4    | 104-8301    | 6    | Nut-HF, NI           | 20:1 | 95-0909     | 1    | Lamp-12 Volt          |
| 5    | 104-8300    | 2    | Nut-HF, NI           | 20:2 | 3230-28     | 1    | Screw-CARR            |
| 6    | 3234-11     | 6    | Screw-HHF            | 20:3 | 3253-33     | 1    | Washer-Lock           |
| 7    | 110-0986    | 1    | Decal-Plate, Cover   | 20:4 | 3217-6      | 1    | Nut-Hex               |
| 8    | 125-2910    | 2    | Tread-Floor, Side    | 21   | 3254-9      | 4    | Washer-Lock, Internal |
| 9    | 3230-1      | 2    | Bolt-CARR            | 22   | 110-0944    | 1    | Shroud-Platform       |
| 10   | 87-6630     | 2    | Washer-Plain         | 23   | 110-0947-03 | 1    | Plate-Cover           |
| 11   | 32128-33    | 2    | Nut-HF               | 25   | 133-2930    | 1    | Decal-Danger          |
| 13   | 125-2911    | 1    | Tread-Panel, Service | 25   | 133-2931    | 1    | Decal-Danger (CE)     |
| 14   | 125-2909    | 1    | Tread-Floorboard     | 26   | 110-8921    | 1    | Decal-Speed, Mow      |
| 15   | 32104-17    | 6    | Screw-HWH            | 28   | 117-2718    | 1    | Decal-Arrester, Spark |
| 16   | 106-9518    | 2    | Screw-PRH            | 29   | 110-8876-01 | 1    | Brace-Column          |
| 17   | 240-11      | 2    | Bushing-Flange       |      |             |      |                       |



## Pedal Assembly

| Ref. | Part Number | Qty. | Description           | Ref. | Part Number | Qty. | Description                 |
|------|-------------|------|-----------------------|------|-------------|------|-----------------------------|
| 1    | 117-5199    | 1    | Hub-Pedal, Traction   | 20:1 | 117-3207    | 2    | Nut-Hex                     |
| 2    | 117-9507    | 1    | Pedal-Accelerator     | 20:2 | 117-3208    | 2    | Washer-Lock, Internal Tooth |
| 3    | 74-9100     | 1    | Pad-Pedal, Forward    | 21   | 256-156     | 2    | Bushing-Flange              |
| 4    | 256-236     | 2    | Bearing-Mount, Flange | 22   | 323-17      | 1    | Screw-HH                    |
| 5    | 106-3840    | 1    | Pedal-Traction        | 23   | 62-4420     | 8    | Washer                      |
| 6    | 92-7305     | 1    | Spring-Extension      | 24   | 3296-39     | 1    | Nut-Lock, NI                |
| 7    | 3234-5      | 6    | Screw-HHF             | 25   | 117-8066    | 1    | Mow-Stop                    |
| 8    | 3296-29     | 6    | Nut-Lock, NI          | 26   | 32121-6     | 1    | Pin-Roll, Slotted           |
| 9    | 32121-45    | 1    | Pin-Spring            | 27   | 106-3731    | 1    | Rod-Pivot                   |
| 10   | 74-9110     | 1    | Pad-Pedal, Reverse    | 28   | 110-8982    | 2    | Washer-Spring               |
| 11   | 127-2721    | 1    | Cable-Traction        | 29   | 32121-16    | 1    | Pin-Spring                  |
| 11:1 | 3220-1      | 2    | Nut-Jam               | 30   | 115-0120-03 | 1    | Pedal-Brake                 |
| 12   | 3234-13     | 2    | Screw-HHF             | 31   | 125-8775    | 2    | Bushing-Flange              |
| 13   | 3296-42     | 1    | Nut-Lock, NI          | 32   | 104-7179    | 1    | Pivot-Pedal                 |
| 14   | 66-8010     | 1    | Spacer                | 33   | 32144-4     | 1    | Screw-HWH                   |
| 15   | 2411-41     | 1    | Rod End-Ball Joint    | 34   | 99-7963-03  | 1    | Pedal-Park                  |
| 16   | 33093-00    | 1    | Washer-Flat           | 35   | 115-5300    | 1    | Proximity Switch ASM        |
| 17   | 3256-22     | 3    | Washer-Flat           | 35:1 | 117-3207    | 2    | Nut-Hex                     |
| 18   | 321-9       | 1    | Screw-HH              | 35:2 | 117-3208    | 2    | Washer-Lock, Internal Tooth |
| 19   | 93-2092     | 1    | Clamp-Cable           | 36   | 115-0129    | 1    | Rod-Pawl, Brake             |
| 20   | 115-0282    | 1    | Proximity Sensor ASM  | 37   | 3272-6      | 2    | Pin-Cotter                  |



## Pedal Assembly (continued)

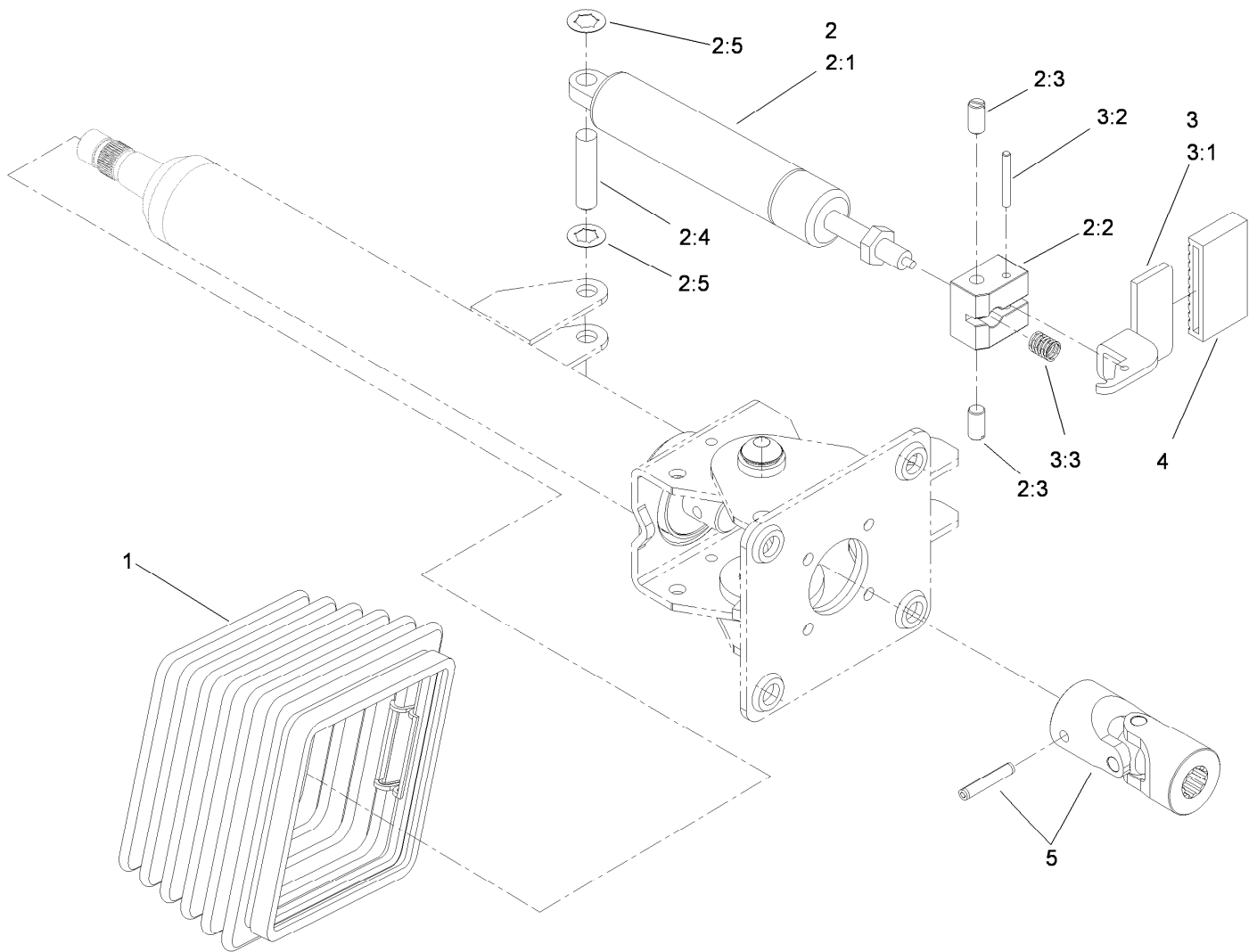
| <i>Ref.</i> | <i>Part Number</i> | <i>Qty.</i> | <i>Description</i>     | <i>Ref.</i> | <i>Part Number</i> | <i>Qty.</i> | <i>Description</i> |
|-------------|--------------------|-------------|------------------------|-------------|--------------------|-------------|--------------------|
| 38          | 104-8301           | 1           | Nut-HF, NI             | 46          | 3272-10            | 2           | Pin-Cotter         |
| 39          | 99-7214            | 1           | Pawl-Brake             | 47          | 117-0106           | 1           | Cable-Brake, RH    |
| 40          | 99-7140            | 1           | Spring-Torsion         | 48          | 117-0107           | 1           | Cable-Brake, LH    |
| 41          | 52-2891            | 2           | Bushing-Flanged, Nylon | 49          | 302-60             | 1           | Fitting-Grease     |
| 42          | 323-12             | 1           | Screw-HH               | 50          | 115-8060           | 1           | Clevis-Double      |
| 43          | 117-0238           | 1           | Detent                 | 51          | 115-8059           | 1           | Yoke-Cable         |
| 44          | 5-0652             | 2           | Spacer                 | 52          | 104-7201           | 1           | Nut-HF, NI         |
| 45          | 283-14             | 2           | Pin-Clevis             |             |                    |             |                    |





## Steering Assembly

| <b>Ref.</b> | <b>Part Number</b> | <b>Qty.</b> | <b>Description</b>       |
|-------------|--------------------|-------------|--------------------------|
| 1           | 106-3622           | 1           | Steering Tilt Column ASM |
| 2           | 340-2              | 4           | Fitting-Straight         |
| 2:1         | 237-22             | 1           | O-Ring                   |
| 2:2         | 237-42             | 1           | O-Ring                   |
| 3           | 98-1471            | 1           | Wheel-Steering           |
| 3:1         | 98-1468            | 1           | Cover-Wheel, Steering    |
| 4           | 98-1459            | 1           | Decal                    |
| 5           | 105-2409           | 4           | Screw-HSH                |
| 6           | 106-3621           | 1           | Steering Valve ASM       |
| 7           | 3274-1             | 4           | Screw-HSH                |
| 8           | 3296-33            | 1           | Nut-Lock, NI             |
| 9           | 3256-27            | 1           | Washer-Flat              |
| 10          | 104-8301           | 4           | Nut-HF, NI               |



## Steering Tilt Column Assembly No. 106-3622

| Ref. | Part Number | Qty. | Description          |
|------|-------------|------|----------------------|
| 1    | 110-6462    | 1    | Bellows-Rubber       |
| 2    | 110-6463    | 1    | Cylinder Service Kit |
| 2:1  |             | 1    | Cylinder-Gas ●       |
| 2:2  |             | 1    | Block-Pedal ●        |
| 2:3  |             | 2    | Bolt ●               |
| 2:4  |             | 1    | Pin ●                |
| 2:5  |             | 2    | Washer-Lock ●        |
| 3    | 110-6464    | 1    | Pedal Service Kit    |
| 3:1  |             | 1    | Pedal ●              |
| 3:2  |             | 1    | Pin ●                |
| 3:3  |             | 1    | Spring ●             |
| 4    | 110-6465    | 1    | Cover-Pedal          |
| 5    | 120-6256    | 1    | Universal Joint Kit  |

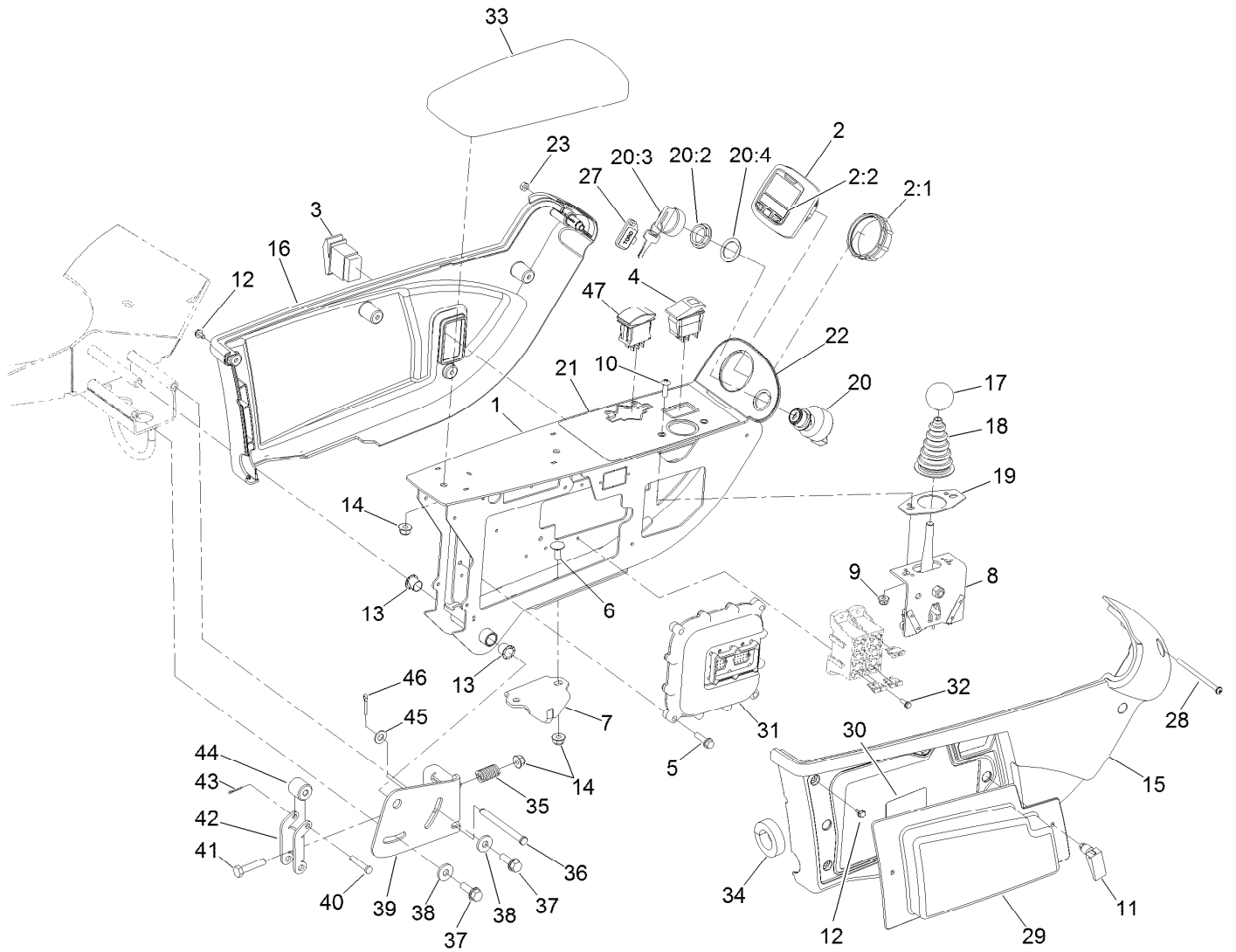
● Not serviced separately



## Steering Valve Assembly No. 106-3621

| <i>Ref.</i> | <i>Part Number</i> | <i>Qty.</i> | <i>Description</i> |
|-------------|--------------------|-------------|--------------------|
| 1           | 106-6716           | 1           | Seal Kit           |
| 1:1         |                    | 1           | Ring-Seal, Dust ●  |
| 1:2         |                    | 1           | Seal-Shaft ●       |
| 1:3         |                    | 1           | O-Ring ●           |
| 1:4         |                    | 2           | O-Ring ●           |
| 1:5         |                    | 5           | O-Ring ●           |

● Not serviced separately



## Control Arm Assembly

| Ref. | Part Number | Qty. | Description        |
|------|-------------|------|--------------------|
| 1    | 120-3801-03 | 1    | Frame-Arm, Control |
| 2    | 120-6310    | 1    | LCD Display ASM    |
| 2:1  | 120-4630    | 1    | Nut-Display        |
| 2:2  | 120-6311    | 1    | Decal-Display      |
| 3    | 95-8999     | 1    | Switch             |
| 4    | 105-4232    | 1    | Switch             |
| 5    | 32144-86    | 4    | Screw-HWHTF        |
| 6    | 3230-23     | 2    | Bolt-CARR          |
| 7    | 125-1938    | 1    | Latch              |
| 8    | 120-5280    | 1    | Bracket-Joystick   |
| 9    | 104-7201    | 2    | Nut-HF, NI         |
| 10   | 3258-166    | 2    | Screw-PRH          |
| 11   | 74-5950     | 2    | Latch-Swell        |
| 12   | 104-2065    | 10   | Screw-HWH          |
| 13   | 256-257     | 2    | Bushing-Nyliner    |
| 14   | 104-8300    | 5    | Nut-HF, NI         |
| 15   | 108-7605    | 1    | Cover-RH           |
| 16   | 108-7604    | 1    | Cover-LH           |
| 17   | 233-42      | 1    | Knob               |
| 18   | 93-5961     | 1    | Boot-Lever         |
| 19   | 112-9181    | 1    | Plate-Boot         |

| Ref. | Part Number | Qty. | Description          |
|------|-------------|------|----------------------|
| 20   | 106-5269    | 1    | Ignition Switch ASM  |
| 20:2 | 108-8660    | 1    | Nut-Mounting         |
| 20:3 | 106-5270    | 1    | Ignition Key Set     |
| 20:4 | 108-8659    | 1    | Washer-Backup        |
| 21   | 125-8754    | 1    | Decal-Panel, Control |
| 22   | 120-4158    | 1    | Decal-Console, Upper |
| 23   | 3296-2      | 1    | Nut-Lock, NI         |
| 27   | 99-8970     | 1    | Key-Latch, Hood      |
| 28   | 3250-22     | 1    | Screw-PPH            |
| 29   | 114-0446    | 1    | Panel-Access         |
| 30   | 117-0169    | 1    | Decal-Fuses          |
| 31   | 114-3321    | 1    | Controller-Tec       |
| 32   | 32144-87    | 4    | Screw-HWHTF          |
| 33   | 108-7602    | 1    | Rest-Arm             |
| 34   | 110-8912    | 1    | Seal-Foam            |
| 35   | 110-5331    | 1    | Spring-Compression   |
| 36   | 283-88      | 1    | Pin-Clevis           |
| 37   | 32144-41    | 2    | Screw-Taptite        |
| 38   | 4-2390      | 2    | Washer-Flat          |
| 39   | 110-5313-03 | 1    | Bracket-Retainer     |
| 40   | 283-73      | 1    | Pin-Clevis           |

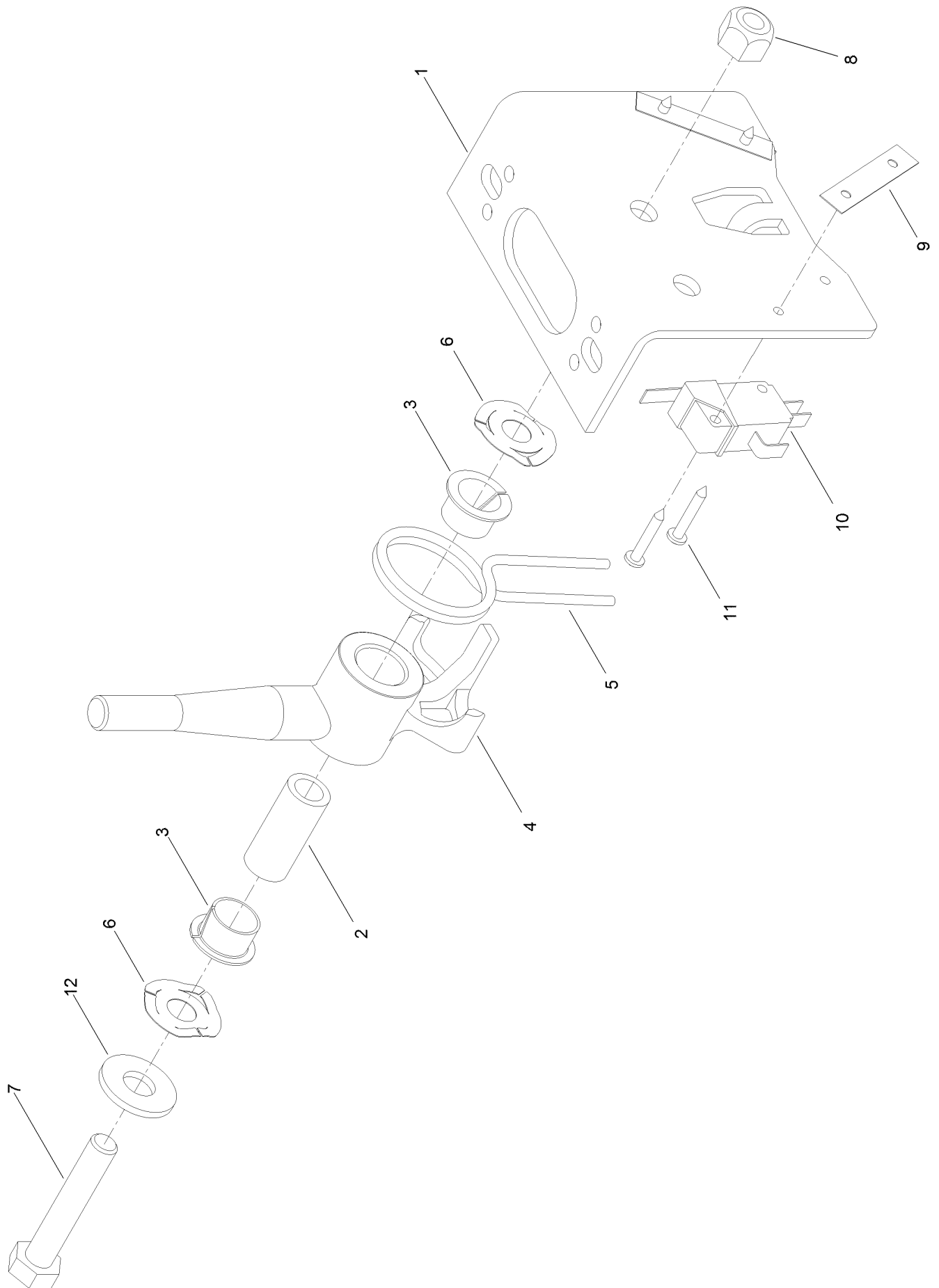


## Control Arm Assembly (continued)

| <i>Ref.</i> | <i>Part Number</i> | <i>Qty.</i> | <i>Description</i> |
|-------------|--------------------|-------------|--------------------|
| 41          | 322-7              | 1           | Screw-HH           |
| 42          | 110-5314           | 1           | Latch              |
| 43          | 3272-1             | 1           | Pin-Cotter         |
| 44          | 110-8856           | 1           | Spacer             |

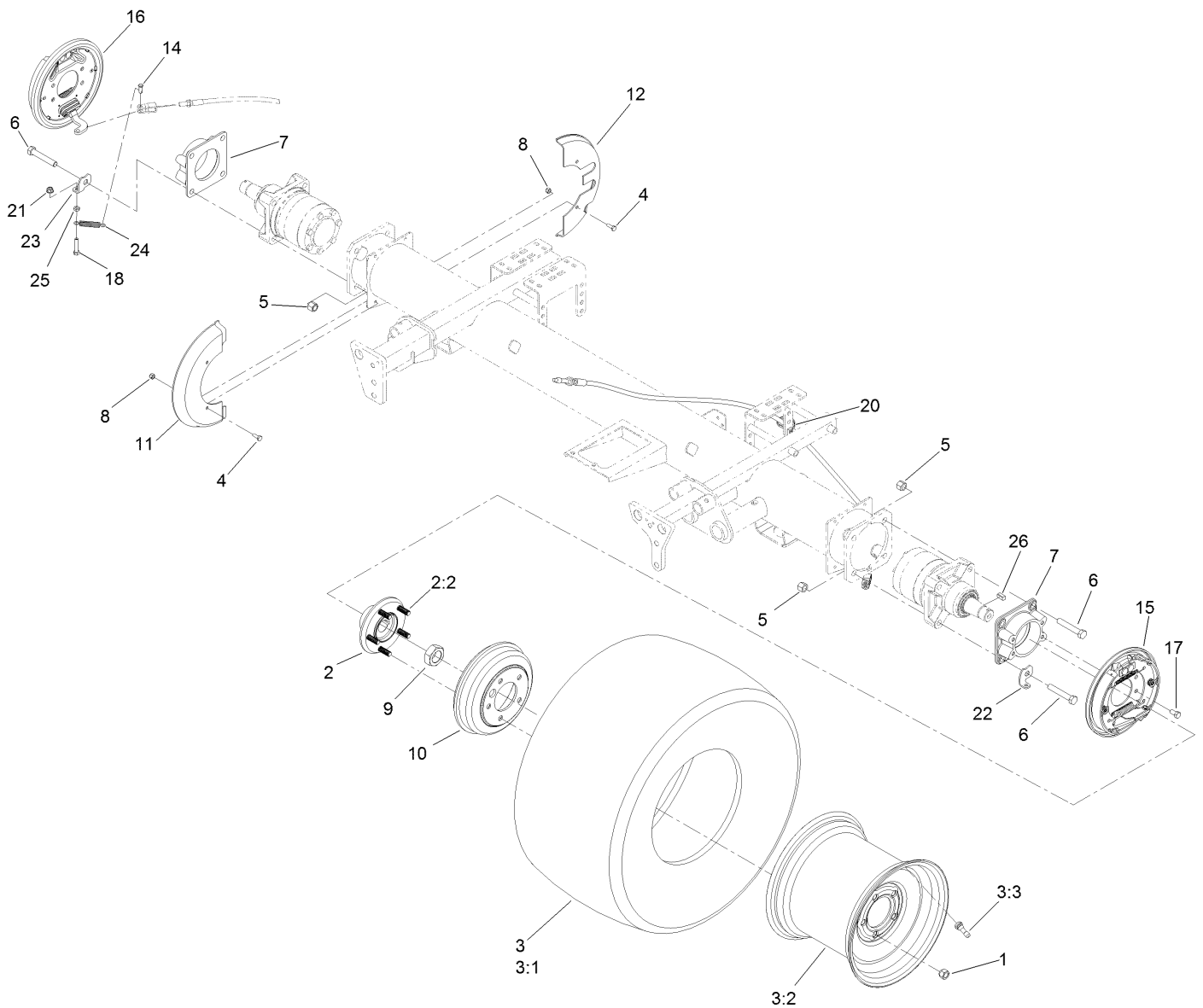
| <i>Ref.</i> | <i>Part Number</i> | <i>Qty.</i> | <i>Description</i>              |
|-------------|--------------------|-------------|---------------------------------|
| 45          | 3256-23            | 1           | Washer-Plain                    |
| 46          | 3272-10            | 1           | Pin-Cotter                      |
| 47          | 100-1535           | 1           | Switch-Rocker,<br>(On)-Off-(On) |

# Joystick Bracket Assembly No. 120-5280



# Joystick Bracket Assembly No. 120-5280 (continued)

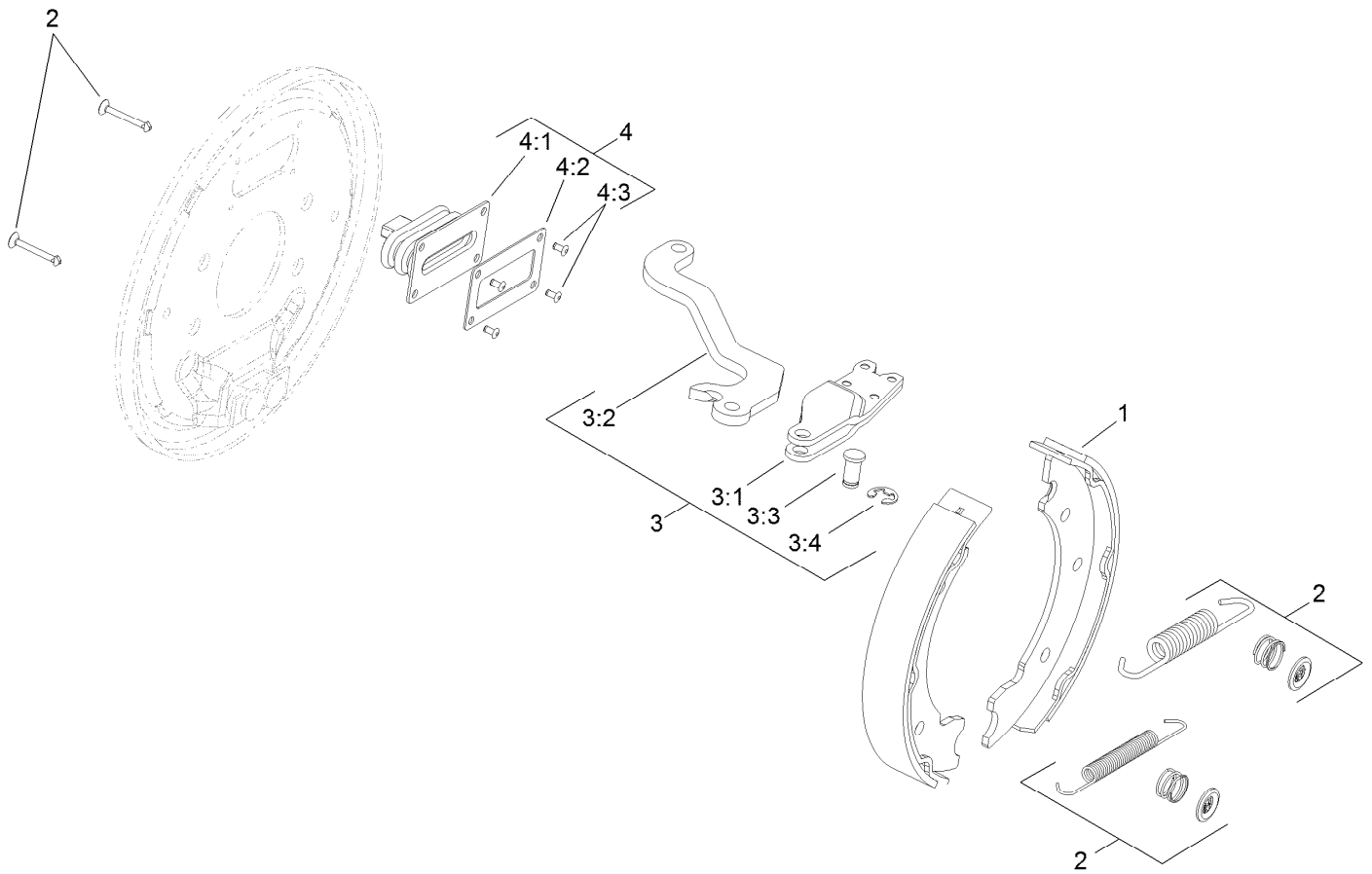
| <i>Ref.</i> | <i>Part Number</i> | <i>Qty.</i> | <i>Description</i>    | <i>Ref.</i> | <i>Part Number</i> | <i>Qty.</i> | <i>Description</i> |
|-------------|--------------------|-------------|-----------------------|-------------|--------------------|-------------|--------------------|
| 1           | 115-5357-03        | 1           | Bracket-Joystick      | 7           | 322-9              | 1           | Screw-HH           |
| 2           | 106-4192           | 1           | Spacer                | 8           | 3296-29            | 1           | Nut-Lock, NI       |
| 3           | 93-5547            | 2           | Bushing-Nylon         | 9           | 3290-354           | 2           | Nut-Speed          |
| 4           | 119-3540           | 1           | Hub-Pivot, Joystick   | 10          | 108-6496           | 2           | Switch (W/Boot)    |
| 5           | 105-8289           | 1           | Spring-Torsion        | 11          | 95-3003            | 4           | Screw-PPHTF        |
| 6           | 106-4193           | 2           | Washer-Finger, Spring | 12          | 3256-3             | 1           | Washer-Flat        |



## Front Axle Assembly

| Ref. | Part Number | Qty. | Description   | Ref. | Part Number | Qty. | Description         |
|------|-------------|------|---------------|------|-------------|------|---------------------|
| 1    | 242-50      | 10   | Nut-Lug       | 11   | 127-2741    | 2    | Shield-Wheel, Front |
| 2    | 121-5631    | 2    | Hub ASM       | 12   | 127-2742    | 2    | Shield-Wheel, Rear  |
| 2:2  | 114-3918    | 5    | Stud-Wheel    | 14   | 283-62      | 2    | Pin-Clevis          |
| 3    | 117-5194    | 2    | Tire ASM      | 15   | 120-6261    | 1    | LH Brake ASM        |
| 3:1  | 117-5196    | 1    | Tire          | 16   | 120-6260    | 1    | RH Brake ASM        |
| 3:2  | 117-5197    | 1    | Wheel         | 17   | 323-4       | 8    | Screw-HH            |
| 3:3  | 232-27      | 1    | Stem-Valve    | 18   | 322-7       | 2    | Screw-HH            |
| 4    | 321-4       | 8    | Screw-HH      | 20   | 3290-378    | 2    | Tie-Cable           |
| 5    | 3296-23     | 8    | Nut-Lock, NI  | 21   | 104-8300    | 2    | Nut-HF, NI          |
| 6    | 325-12      | 8    | Screw-HH      | 22   | 120-6267    | 1    | Clip-Spring, LH     |
| 7    | 120-6253-03 | 2    | Adapter-Brake | 23   | 120-6266    | 1    | Clip-Spring, RH     |
| 8    | 3296-42     | 8    | Nut-Lock, NI  | 24   | 87-4020     | 2    | Spring-Extension    |
| 9    | 117-3290    | 2    | Nut-Hex       | 25   | 3218-2      | 2    | Nut-Hex Jam         |
| 10   | 114-8864    | 2    | Drum-Brake    | 26   | 117-5198    | 2    | Key-Square          |

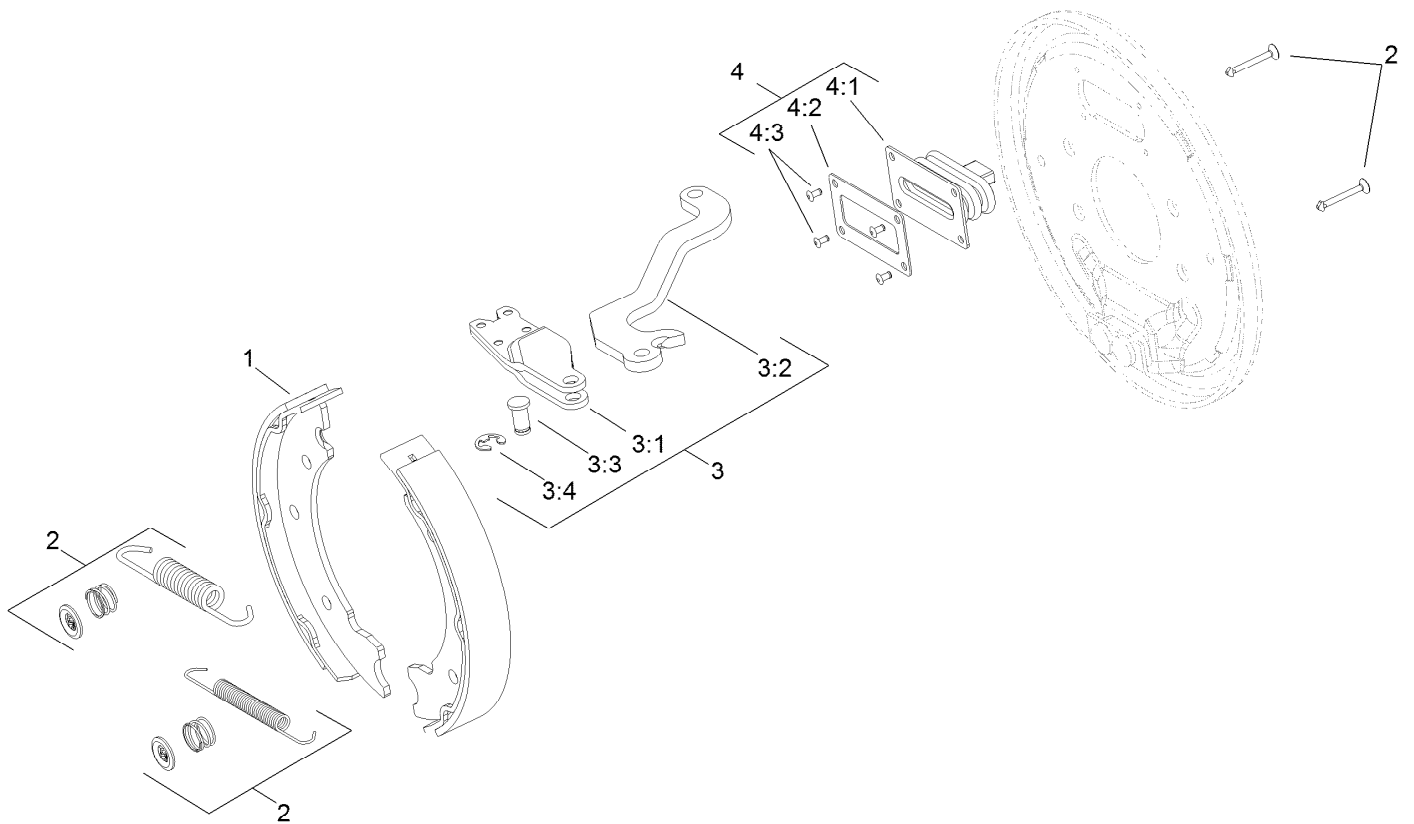




## LH Brake Assembly No. 120-6261

| Ref. | Part Number | Qty. | Description        |
|------|-------------|------|--------------------|
| 1    | 108-6981    | 1    | Brake Shoe Kit     |
| 2    | 108-6983    | 1    | Brake Hardware Kit |
| 3    | 110-8910    | 1    | LH Actuator Kit    |
| 3:1  |             | 1    | Housing ●          |
| 3:2  |             | 1    | Lever-LH ●         |
| 3:3  |             | 1    | Pin-Pivot ●        |
| 3:4  |             | 1    | E-Ring ●           |
| 4    | 110-8885    | 1    | Dust Boot Kit      |
| 4:1  |             | 1    | Boot ●             |
| 4:2  |             | 1    | Plate-Back Up ●    |
| 4:3  |             | 2    | Rivet ●            |

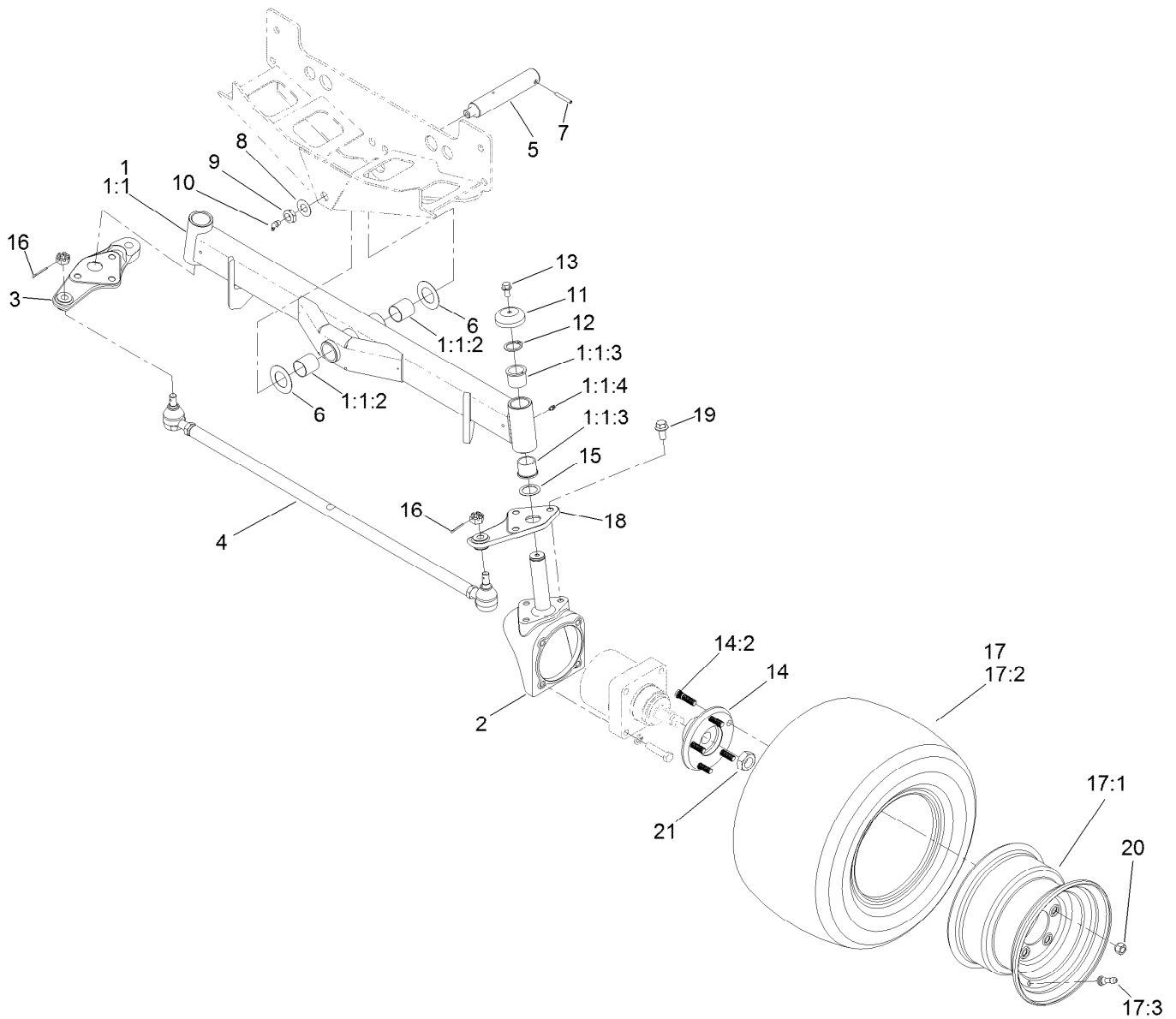
● Not serviced separately



## RH Brake Assembly No. 120-6260

| Ref. | Part Number | Qty. | Description        |
|------|-------------|------|--------------------|
| 1    | 108-6981    | 1    | Brake Shoe Kit     |
| 2    | 108-6983    | 1    | Brake Hardware Kit |
| 3    | 110-8884    | 1    | RH Actuator Kit    |
| 3:1  |             | 1    | Housing ●          |
| 3:2  |             | 1    | Lever-RH ●         |
| 3:3  |             | 1    | Pin-Pivot ●        |
| 3:4  |             | 1    | E-Ring ●           |
| 4    | 110-8885    | 1    | Dust Boot Kit      |
| 4:1  |             | 1    | Boot ●             |
| 4:2  |             | 1    | Plate-Back Up ●    |
| 4:3  |             | 2    | Rivet ●            |

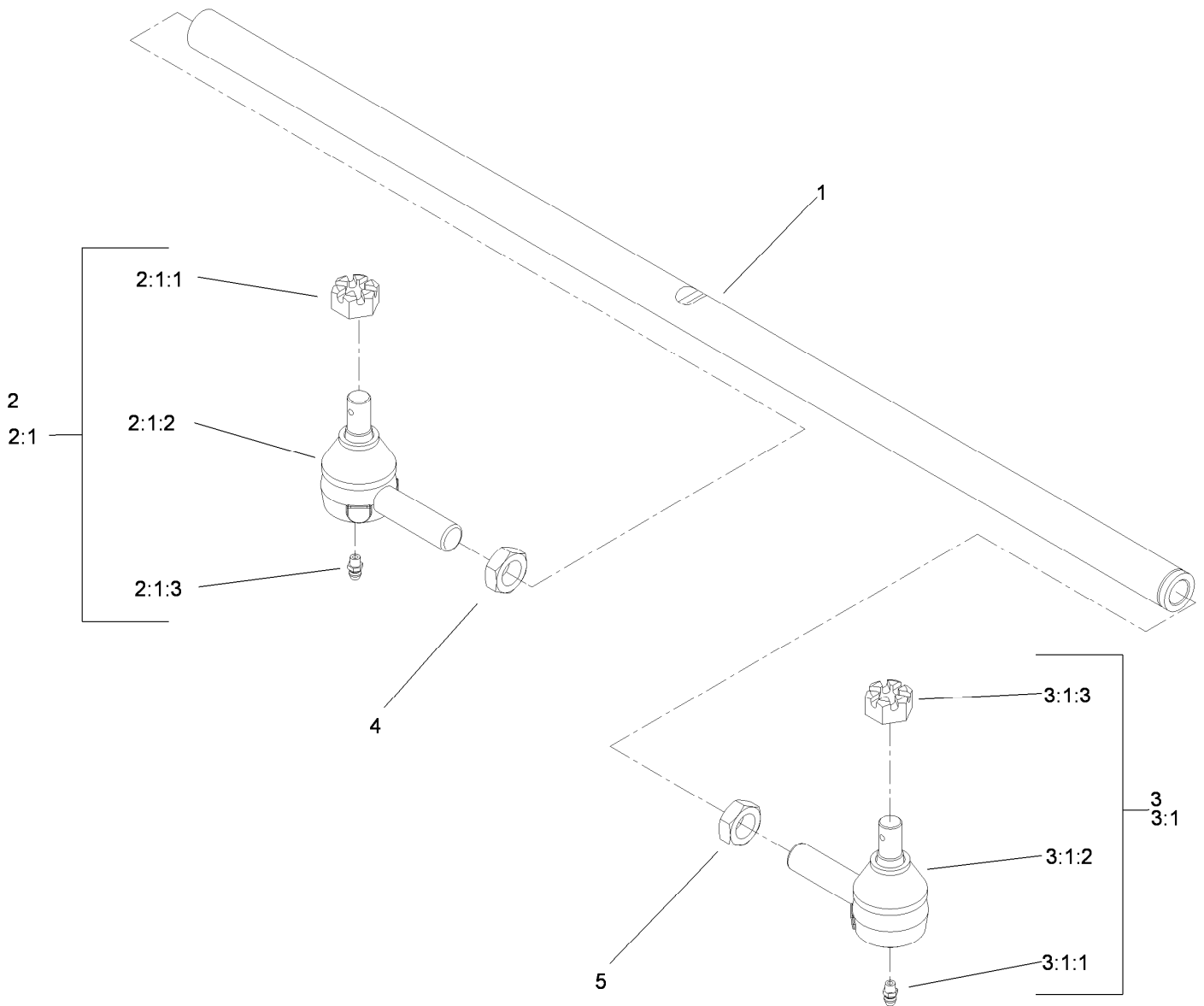
● Not serviced separately



## Rear Axle Assembly

| Ref.  | Part Number | Qty. | Description     | Ref. | Part Number | Qty. | Description              |
|-------|-------------|------|-----------------|------|-------------|------|--------------------------|
| 1     | 107-4546-03 | 1    | Axle ASM        | 12   | 32151-77    | 2    | Ring-Retaining, External |
| 1:1   |             | 1    | Axle ●          | 13   | 3234-1      | 2    | Screw-HHF                |
| 1:1:2 | 99-6964     | 2    | Bushing-Axle    | 14   | 121-5633    | 2    | Hub ASM                  |
| 1:1:3 | 104-0015    | 4    | Bushing-Flange  | 14:2 | 114-3918    | 5    | Stud-Wheel               |
| 1:1:4 | 302-5       | 2    | Fitting-Grease  | 15   | 76-2980     | 2    | Washer-Thrust            |
| 2     | 107-4517-03 | 2    | Housing-Motor   | 16   | 3272-12     | 2    | Pin-Cotter               |
| 3     | 110-5295-03 | 1    | Link-Drag, RH   | 17   | 117-0281    | 2    | Rim And Tire ASM         |
| 4     | 110-5334-03 | 1    | Tie Rod ASM     | 17:1 | 117-0280    | 1    | Rim                      |
| 5     | 98-8173     | 1    | Pin-Pivot, Axle | 17:2 | 117-5125    | 1    | Tire                     |
| 6     | 99-8432     | 2    | Washer-Thrust   | 17:3 | 232-27      | 1    | Stem-Valve               |
| 7     | 32121-32    | 1    | Pin-Roll        | 18   | 110-5297-03 | 1    | Link-Drag, LH            |
| 8     | 71-4540     | 1    | Washer-Thrust   | 19   | 3234-6      | 6    | Screw-HHF                |
| 9     | 3296-15     | 1    | Nut-Lock, NI    | 20   | 242-50      | 10   | Nut-Lug                  |
| 10    | 302-33      | 1    | Fitting-Grease  | 21   | 26-3790     | 2    | Nut-Lock                 |
| 11    | 69-8890     | 2    | Cap-Spindle     |      |             |      |                          |

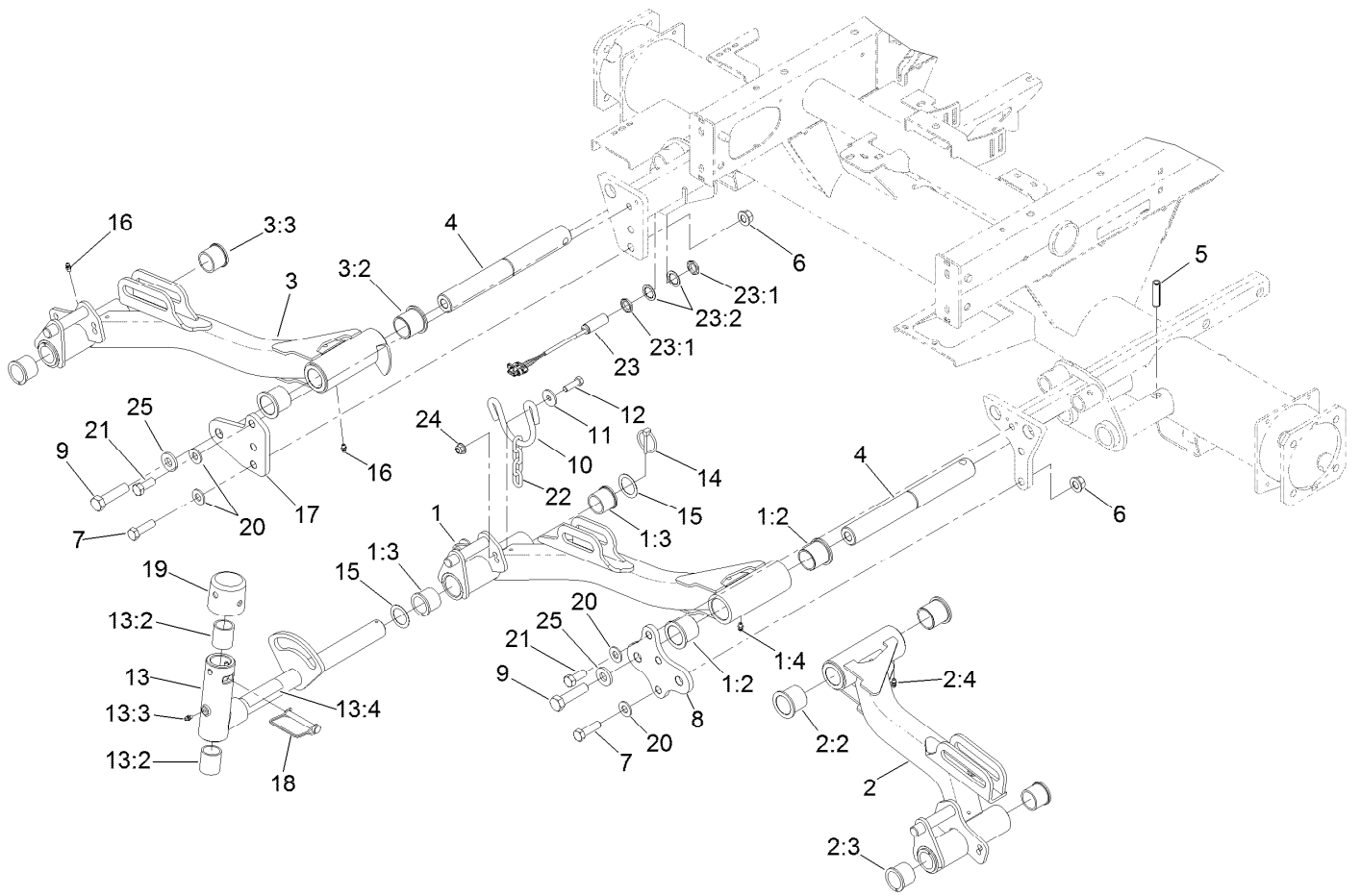
● Not serviced separately



## Tie Rod Assembly No. 110-5334-03

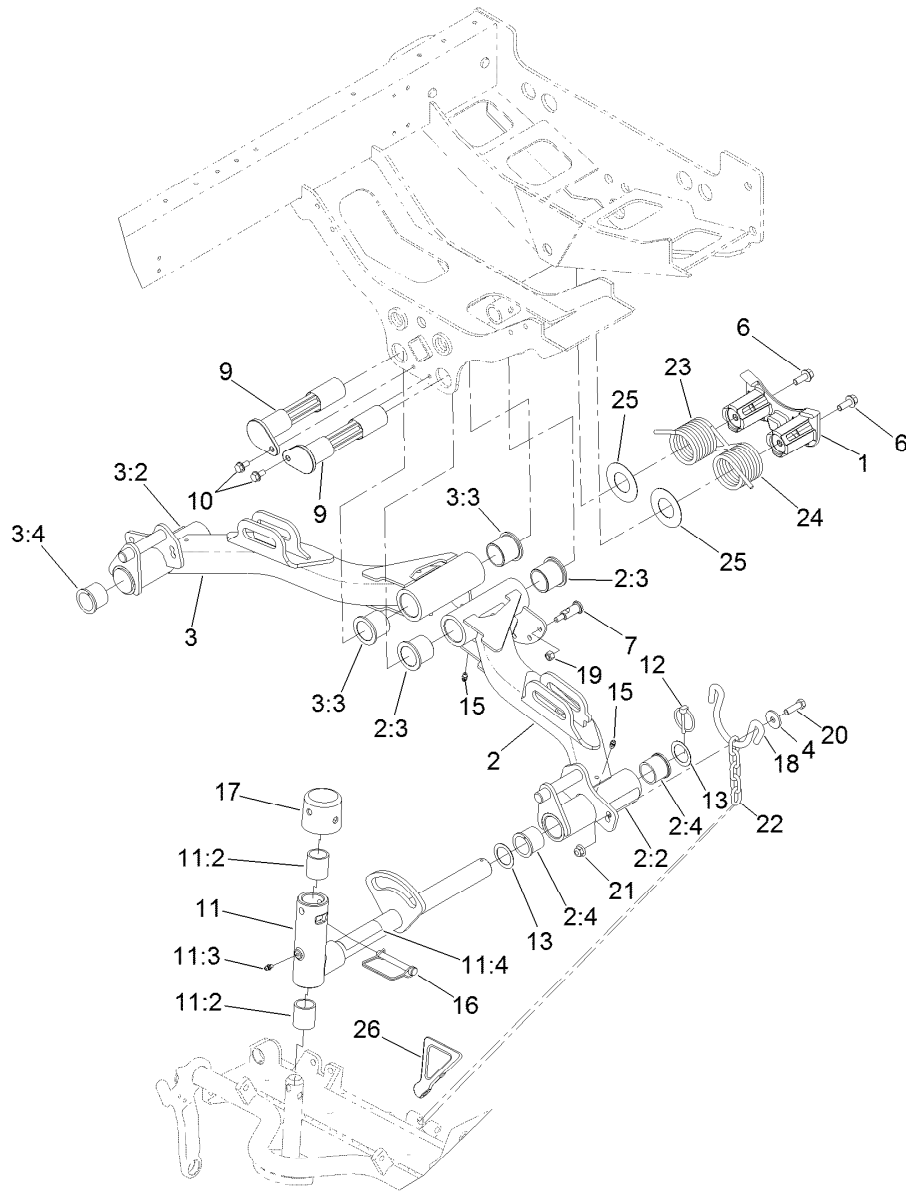
| Ref.  | Part Number | Qty. | Description         |
|-------|-------------|------|---------------------|
| 1     | 110-5335    | 1    | Rod-Tie             |
| 2     | 71-4740-03  | 1    | RH Tie Rod End ASM  |
| 2:1   |             | 1    | End-Rod, Tie (RH) ● |
| 2:1:1 | 105-7941    | 1    | Nut-Hex, Slotted    |
| 2:1:2 | 105-7835    | 1    | Seal                |
| 2:1:3 | 302-5       | 1    | Fitting-Grease      |
| 3     | 2411-46-03  | 1    | LH Tie Rod ASM      |
| 3:1   |             | 1    | End-Rod, Tie (LH) ● |
| 3:1:1 | 302-5       | 1    | Fitting-Grease      |
| 3:1:2 | 105-7835    | 1    | Seal                |
| 3:1:3 | 105-7941    | 1    | Nut-Hex, Slotted    |
| 4     | 84-5300     | 1    | Nut-Jam             |
| 5     | 110-5337    | 1    | Nut-Jam             |

● Not serviced separately



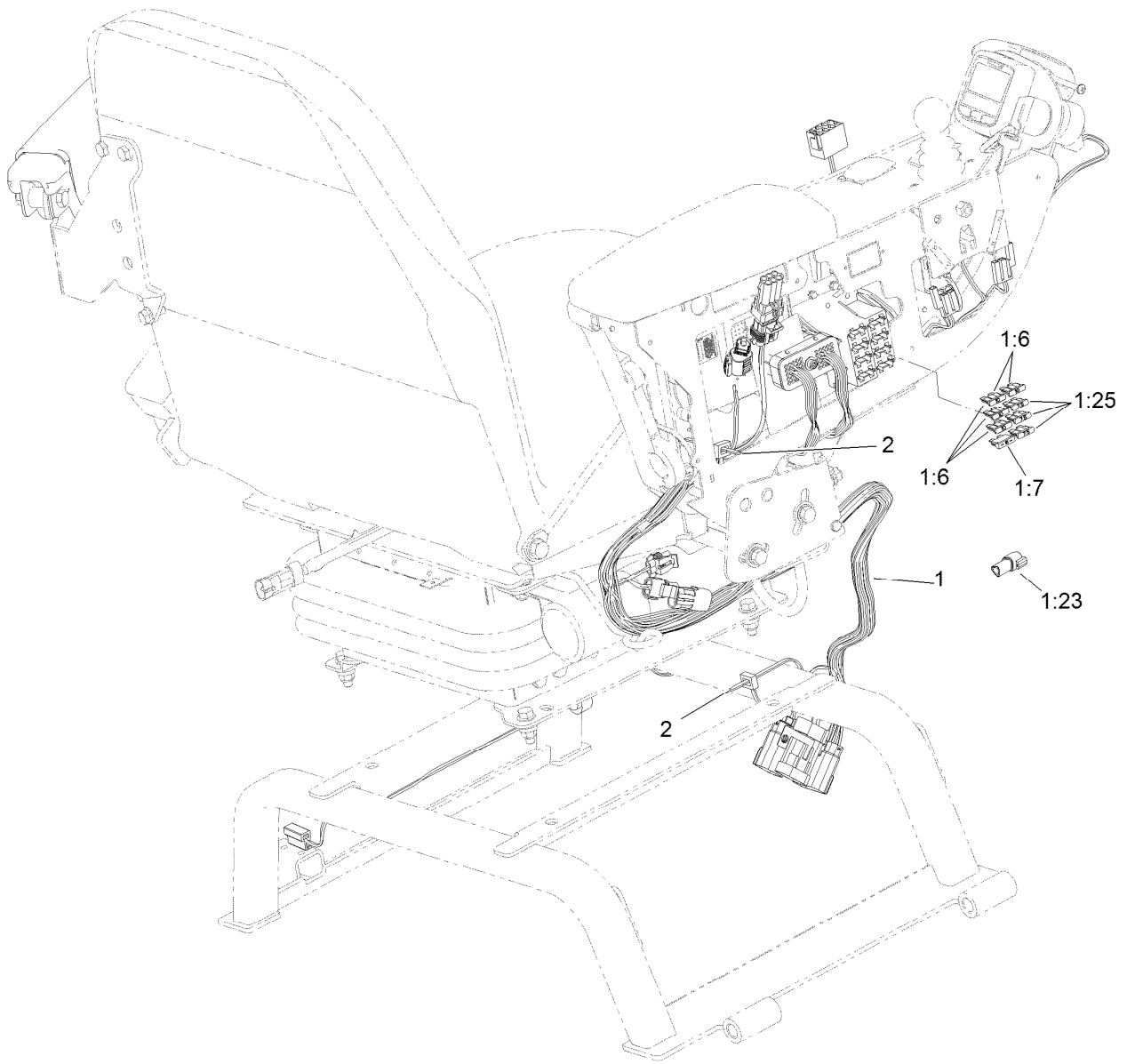
## No. 1, 4 and 5 Lift Arm Assembly

| Ref. | Part Number | Qty. | Description          | Ref. | Part Number | Qty. | Description                 |
|------|-------------|------|----------------------|------|-------------|------|-----------------------------|
| 1    | 110-0991    | 1    | No. 1 Lift Arm ASM   | 12   | 323-7       | 6    | Screw-HH                    |
| 1:2  | 69-6470     | 2    | Bushing-Caster       | 13   | 107-2052    | 3    | Pivot Yoke ASM              |
| 1:3  | 104-0015    | 2    | Bushing-Flange       | 13:2 | 121-3187    | 2    | Bushing                     |
| 1:4  | 302-5       | 2    | Fitting-Grease       | 13:3 | 302-5       | 1    | Fitting-Grease              |
| 2    | 114-8874    | 1    | No. 4 Lift Arm ASM   | 13:4 | 110-9642    | 1    | Decal-Warning               |
| 2:2  | 69-6470     | 2    | Bushing-Caster       | 14   | 92-1298     | 3    | Pin-Lynch                   |
| 2:3  | 104-0015    | 2    | Bushing-Flange       | 15   | 76-2980     | 6    | Washer-Thrust               |
| 2:4  | 302-5       | 2    | Fitting-Grease       | 16   | 302-5       | 6    | Fitting-Grease              |
| 3    | 110-0995    | 1    | No. 5 Lift Arm ASM   | 17   | 117-5153-01 | 1    | Plate-Bridge 5              |
| 3:2  | 69-6470     | 2    | Bushing-Caster       | 18   | 107-7400    | 3    | Pin-Lynch                   |
| 3:3  | 104-0015    | 2    | Bushing-Flange       | 19   | 107-4027    | 3    | Cap                         |
| 4    | 117-0208    | 3    | Shaft-Pivot, Liftarm | 20   | 87-7270     | 6    | Washer-Thrust               |
| 5    | 32121-122   | 3    | Pin-Roll             | 21   | 325-5       | 2    | Screw-HH                    |
| 6    | 99-5107     | 4    | Nut-Lock             | 22   | 84-2451     | 3    | Chain-Straight, 5 Link      |
| 7    | 325-7       | 4    | Screw-HH             | 23   | 115-5300    | 1    | Proximity Switch ASM        |
| 8    | 117-5154-01 | 1    | Plate-Bridge 1 And 4 | 23:1 | 117-3207    | 2    | Nut-Hex                     |
| 9    | 327-7       | 3    | Screw-HH             | 23:2 | 117-3208    | 2    | Washer-Lock, Internal Tooth |
| 10   | 110-0922    | 3    | Hoop-Chain           | 24   | 104-8301    | 6    | Nut-HF, NI                  |
| 11   | 63-8410     | 6    | Washer               | 25   | 99-7667     | 3    | Washer-Flat                 |



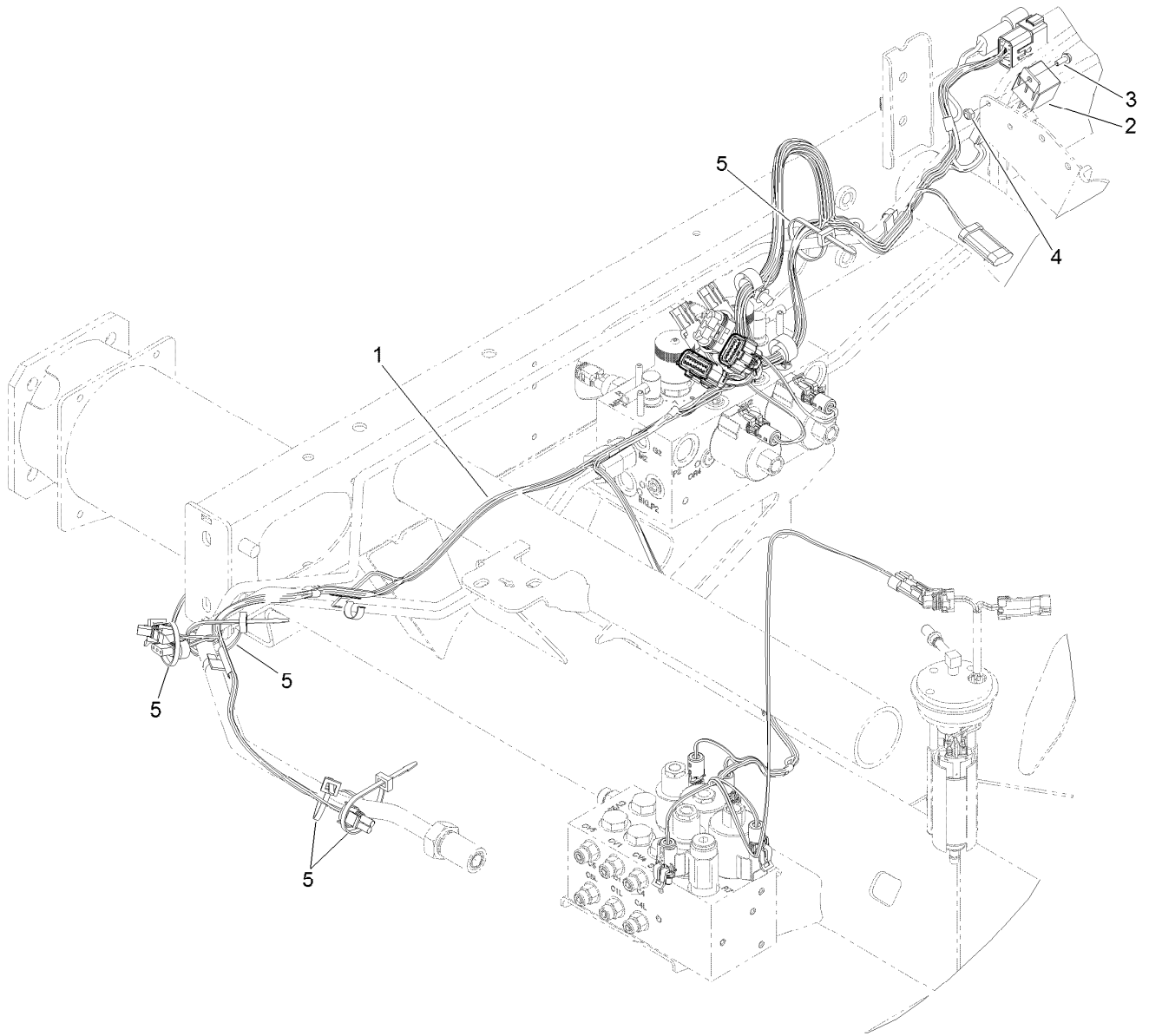
## No. 2 and 3 Lift Arm Assembly

| <i>Ref.</i> | <i>Part Number</i> | <i>Qty.</i> | <i>Description</i> | <i>Ref.</i> | <i>Part Number</i> | <i>Qty.</i> | <i>Description</i>     |
|-------------|--------------------|-------------|--------------------|-------------|--------------------|-------------|------------------------|
| 1           | 125-2018           | 1           | Housing            | 11:3        | 302-5              | 1           | Fitting-Grease         |
| 2           | 125-2912           | 1           | Lift Arm 2 ASM     | 11:4        | 110-9642           | 1           | Decal-Warning          |
| 2:2         | 93-6696            | 1           | Decal-Warning      | 12          | 92-1298            | 2           | Pin-Lynch              |
| 2:3         | 69-6470            | 2           | Bushing-Caster     | 13          | 76-2980            | 4           | Washer-Thrust          |
| 2:4         | 104-0015           | 2           | Bushing-Flange     | 15          | 302-5              | 4           | Fitting-Grease         |
| 3           | 125-2913           | 1           | Lift Arm 3 ASM     | 16          | 107-7400           | 2           | Pin-Lynch              |
| 3:2         | 93-6696            | 1           | Decal-Warning      | 17          | 107-4027           | 2           | Cap                    |
| 3:3         | 69-6470            | 2           | Bushing-Caster     | 18          | 110-0922           | 2           | Hoop-Chain             |
| 3:4         | 104-0015           | 2           | Bushing-Flange     | 19          | 3296-29            | 6           | Nut-Lock, NI           |
| 4           | 63-8410            | 4           | Washer             | 20          | 323-7              | 4           | Screw-HH               |
| 6           | 3234-11            | 2           | Screw-HHF          | 21          | 104-8301           | 4           | Nut-HF, NI             |
| 7           | 120-6283           | 6           | Stud-Shouldered    | 22          | 84-2451            | 2           | Chain-Straight, 5 Link |
| 9           | 125-2037           | 2           | Shaft              | 23          | 99-5608-03         | 1           | Spring-Torsion, RH     |
| 10          | 32144-14           | 2           | Screw-HWHTF        | 24          | 99-5609-03         | 1           | Spring-Torsion, LH     |
| 11          | 107-2052           | 2           | Pivot Yoke ASM     | 25          | 110-5345           | 2           | Washer                 |
| 11:2        | 121-3187           | 2           | Bushing            | 26          | 119-8010-03        | 1           | Kickstand              |



## Seat and Control Arm Wiring Harness Assembly

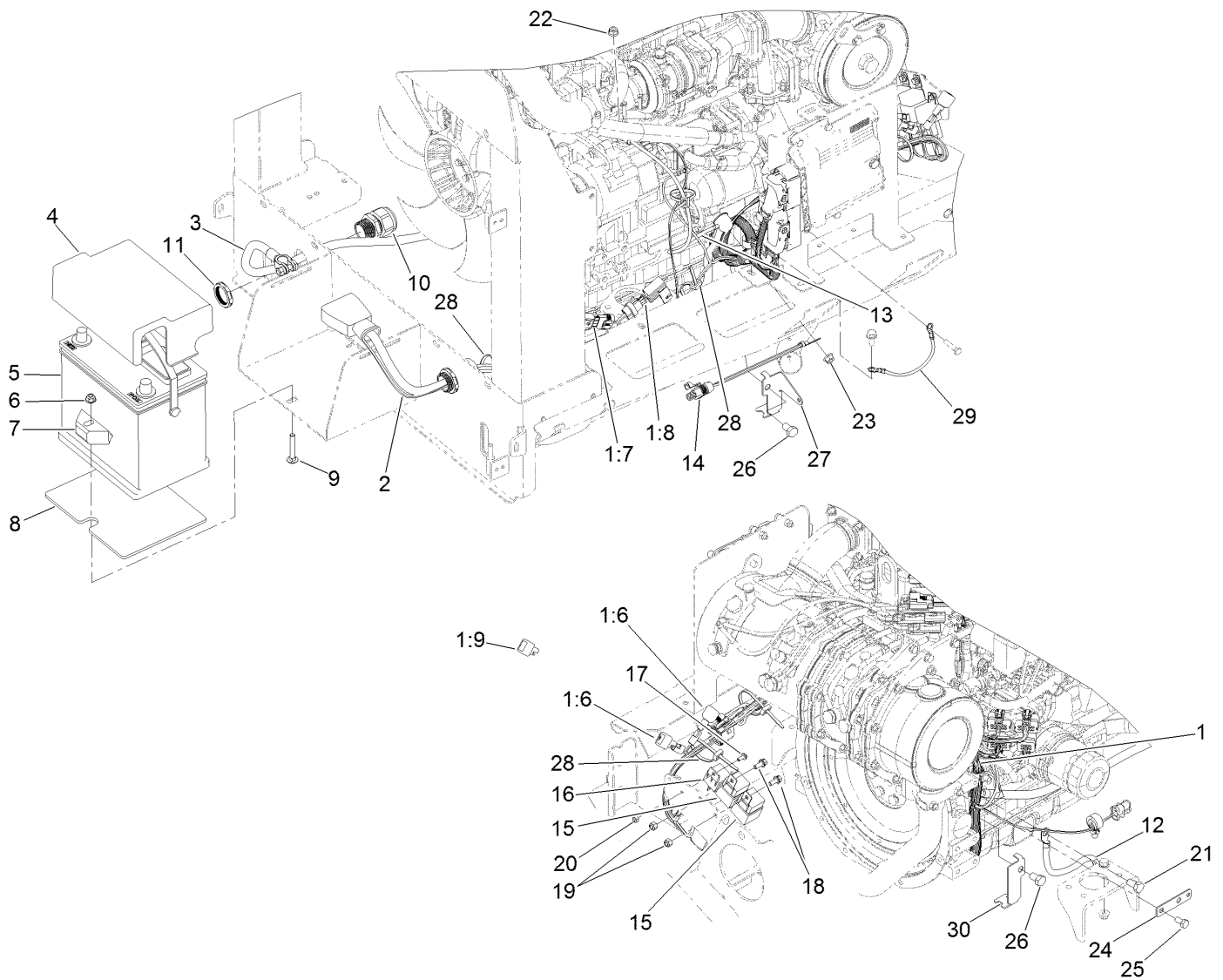
| <i>Ref.</i> | <i>Part Number</i> | <i>Qty.</i> | <i>Description</i>  |
|-------------|--------------------|-------------|---------------------|
| 1           | 115-8081           | 1           | Harness-Wire, Seat  |
| 1:6         | 218-578            | 3           | Fuse-Blade, 10 Amp  |
| 1:7         | 109355             | 1           | Fuse-Blade, 15 Amp  |
| 1:23        | 32180-043          | 1           | Resistor-120 Ohm    |
| 1:25        | 114241             | 3           | Fuse-Blade, 7.5 Amp |
| 2           | 3290-378           | 3           | Tie-Cable           |



## Main Wiring Harness Assembly

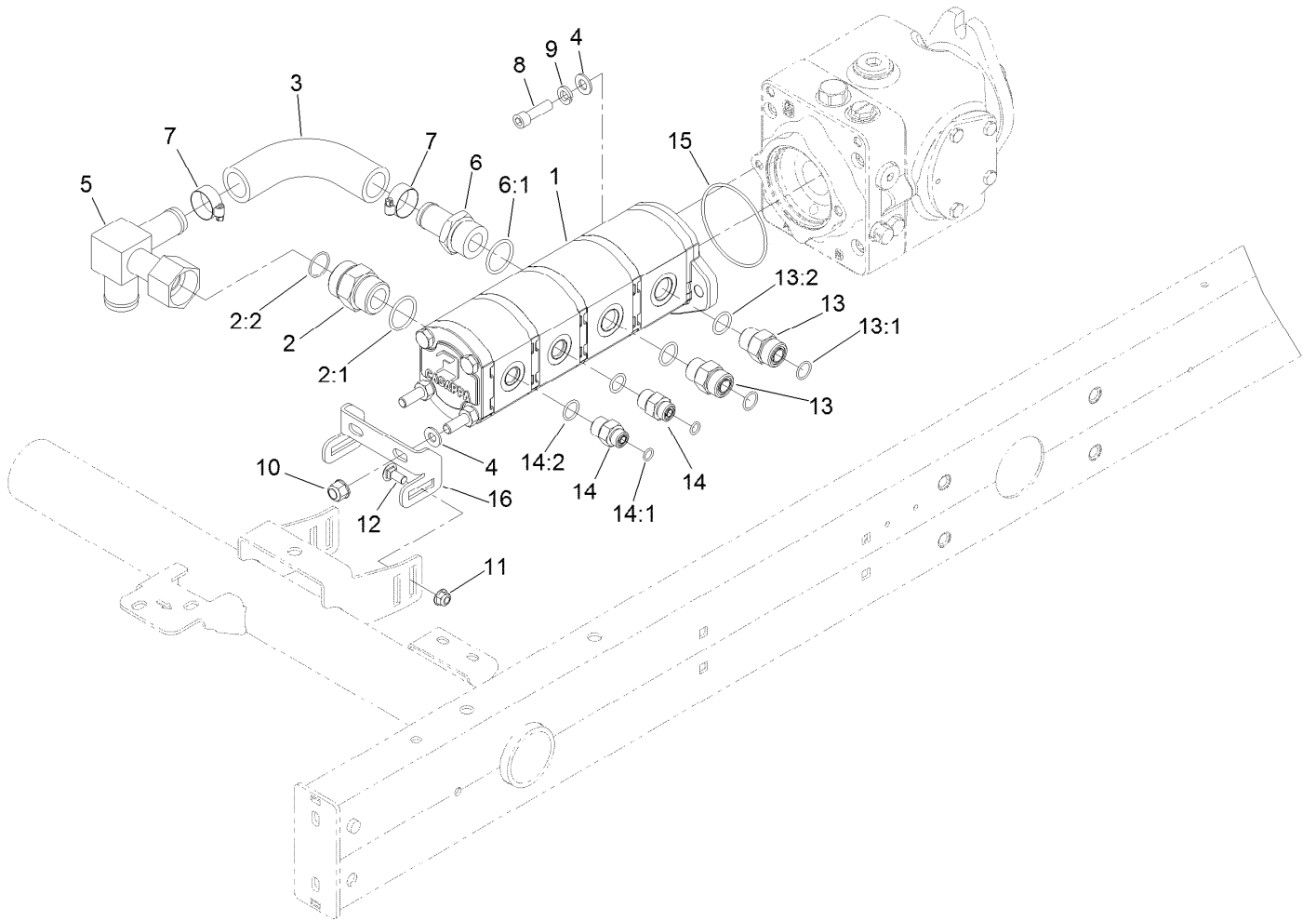
| <i>Ref.</i> | <i>Part Number</i> | <i>Qty.</i> | <i>Description</i> |
|-------------|--------------------|-------------|--------------------|
| 1           | 120-6356           | 1           | Harness-Wire, Main |
| 2           | 99-7435            | 1           | Relay              |
| 3           | 3290-321           | 1           | Screw-HWH          |
| 4           | 3296-2             | 1           | Nut-Lock, NI       |
| 5           | 3290-378           | 10          | Tie-Cable          |





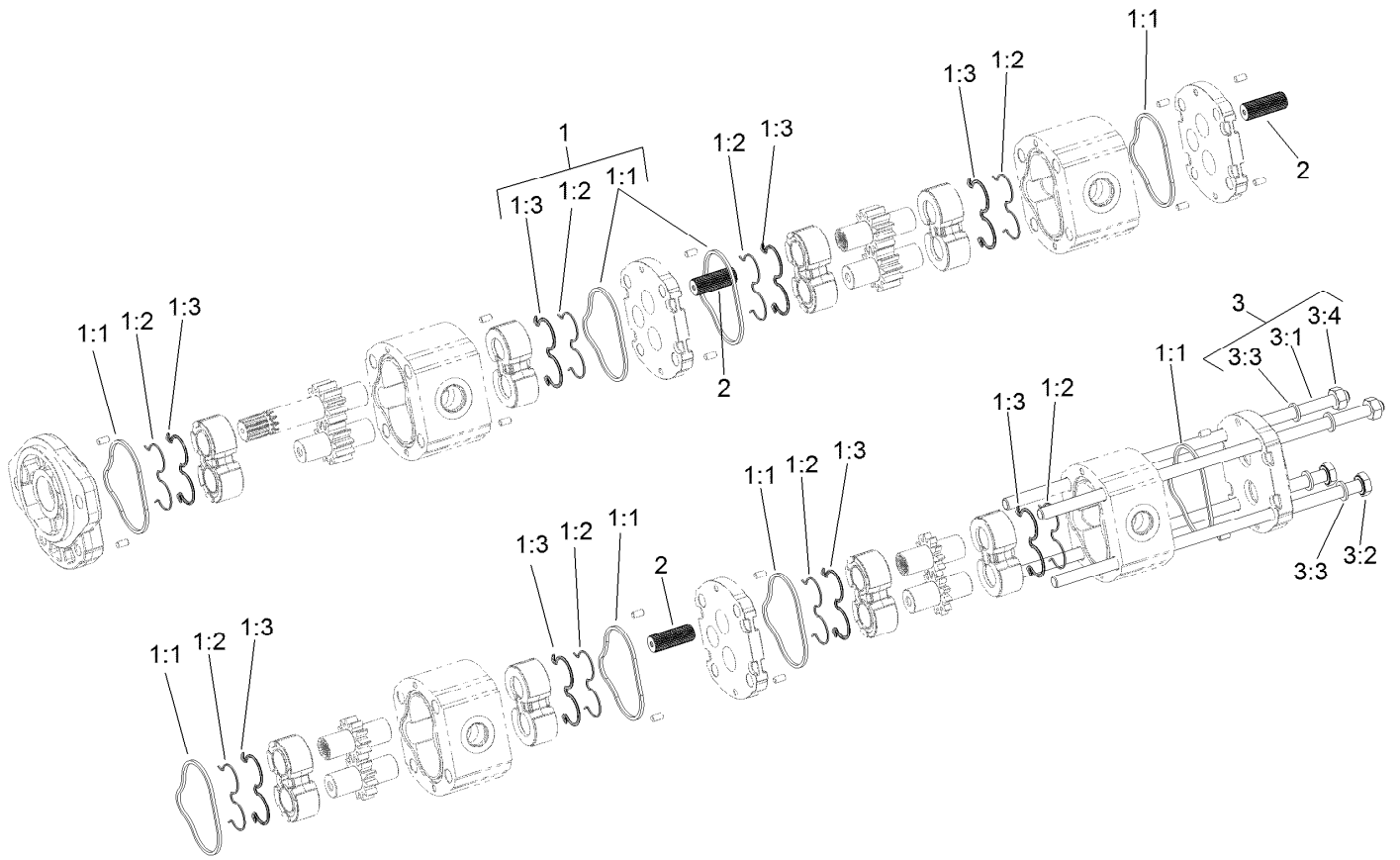
## Engine Electrical Assembly

| Ref. | Part Number | Qty. | Description             | Ref. | Part Number | Qty. | Description                |
|------|-------------|------|-------------------------|------|-------------|------|----------------------------|
| 1    | 122-0231    | 1    | Harness-Wire, Engine    | 14   | 99-3441     | 1    | Harness-Wire, Fusible Link |
| 1:6  | 100-4918    | 2    | Diode                   | 15   | 99-7430     | 2    | Relay-Mini                 |
| 1:7  | 94-6710     | 1    | Fuse-2 Amp              | 16   | 99-7435     | 1    | Relay                      |
| 1:8  | 218-578     | 1    | Fuse-Blade, 10 Amp      | 17   | 3290-321    | 1    | Screw-HWH                  |
| 1:9  | 104-4022    | 1    | Resistor-75 Ohm         | 18   | 3234-33     | 2    | Screw-HHF                  |
| 2    | 121-8850    | 1    | Cable-Battery, Positive | 19   | 3296-42     | 2    | Nut-Lock, NI               |
| 3    | 121-8851    | 1    | Cable-Battery, Negative | 20   | 3296-2      | 1    | Nut-Lock, NI               |
| 4    | 121-5615    | 1    | Cover-Battery           | 21   | 33115-020   | 1    | Screw-HH                   |
| 5    | 104-9979    | 1    | Battery                 | 22   | 33003-00    | 1    | Nut-HF                     |
| 6    | 104-8300    | 1    | Nut-HF, NI              | 23   | 33004-00    | 1    | Nut-HF                     |
| 7    | 66-2490     | 1    | Retainer-Battery        | 24   | 121-5636    | 1    | Tab-Harness                |
| 8    | 127-2781    | 1    | Mat-Battery             | 25   | 33114-016   | 2    | Screw-HH                   |
| 9    | 3230-6      | 1    | Bolt-CARR               | 26   | 33115-016   | 2    | Screw-HH                   |
| 10   | 121-8854    | 2    | Grip-Cord               | 27   | 127-2774    | 1    | Bracket-Harness, RH        |
| 11   | 121-8855    | 2    | Locknut-Grip, Cord      | 28   | 3290-378    | 10   | Tie-Cable                  |
| 12   | 121-8856    | 1    | Cable-Ground, Engine    | 29   | 122-0058    | 1    | Harness-Wire, Ground       |
| 13   | 100-5552    | 1    | Harness-Wire            | 30   | 127-2773    | 1    | Bracket-Harness, LH        |



## Gear Pump Assembly

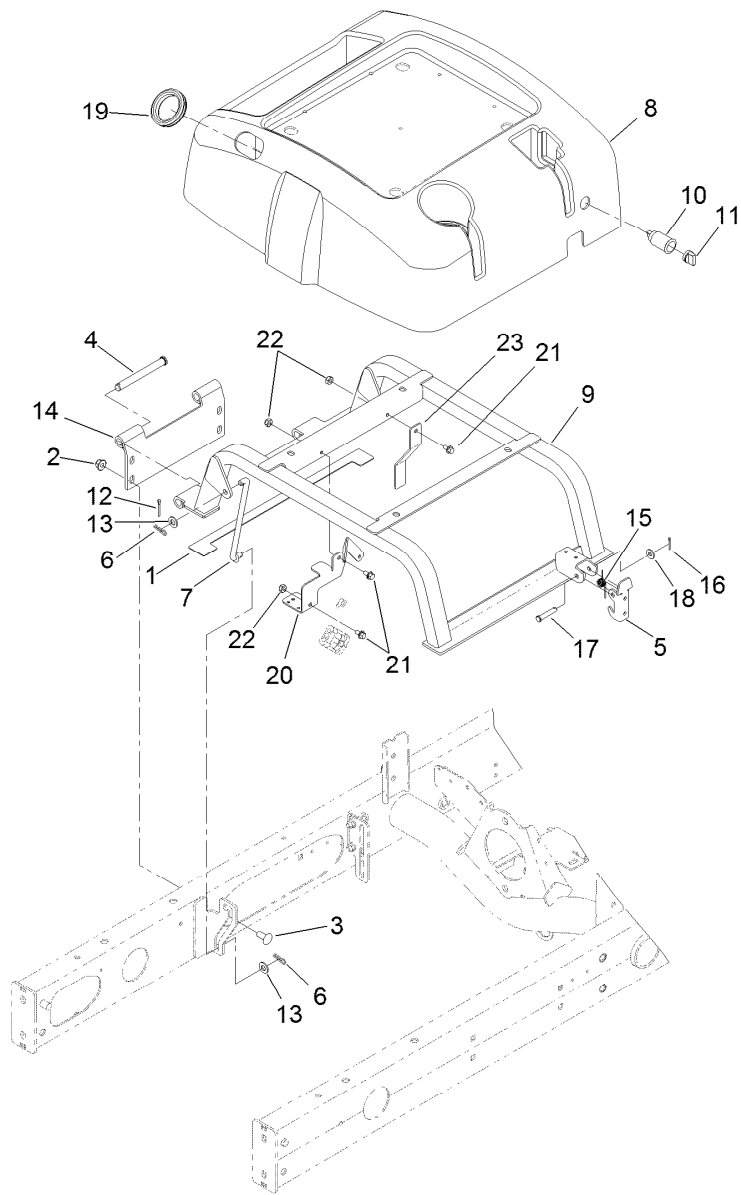
| <i>Ref.</i> | <i>Part Number</i> | <i>Qty.</i> | <i>Description</i> | <i>Ref.</i> | <i>Part Number</i> | <i>Qty.</i> | <i>Description</i>    |
|-------------|--------------------|-------------|--------------------|-------------|--------------------|-------------|-----------------------|
| 1           | 107-4547           | 1           | Gear Pump ASM      | 10          | 103-9511           | 2           | Nut-Lock, NI          |
| 2           | 104-3797           | 1           | Fitting-Straight   | 11          | 104-8300           | 2           | Nut-HF, NI            |
| 2:1         | 237-146            | 1           | O-Ring             | 12          | 3230-1             | 2           | Bolt-CARR             |
| 2:2         | 340-65             | 1           | O-Ring             | 13          | 340-7              | 2           | Fitting-Straight      |
| 3           | 108-1683           | 1           | Hose-Formed        | 13:1        | 237-65             | 1           | O-Ring                |
| 4           | 3256-24            | 4           | Washer-Flat        | 13:2        | 237-80             | 1           | O-Ring                |
| 5           | 108-1672           | 1           | Manifold-Tube      | 14          | 340-3              | 2           | Fitting-Straight      |
| 6           | 354-78             | 1           | Fitting-STR        | 14:1        | 237-22             | 1           | O-Ring                |
| 6:1         | 237-146            | 1           | O-Ring             | 14:2        | 237-79             | 1           | O-Ring                |
| 7           | 2412-34            | 2           | Clamp-Hose         | 15          | 237-161            | 1           | O-Ring                |
| 8           | 3274-1             | 2           | Screw-HSH          | 16          | 108-1801-01        | 1           | Bracket-Support, Pump |
| 9           | 3253-5             | 2           | Washer-Lock        |             |                    |             |                       |



## Gear Pump Assembly No. 107-4547

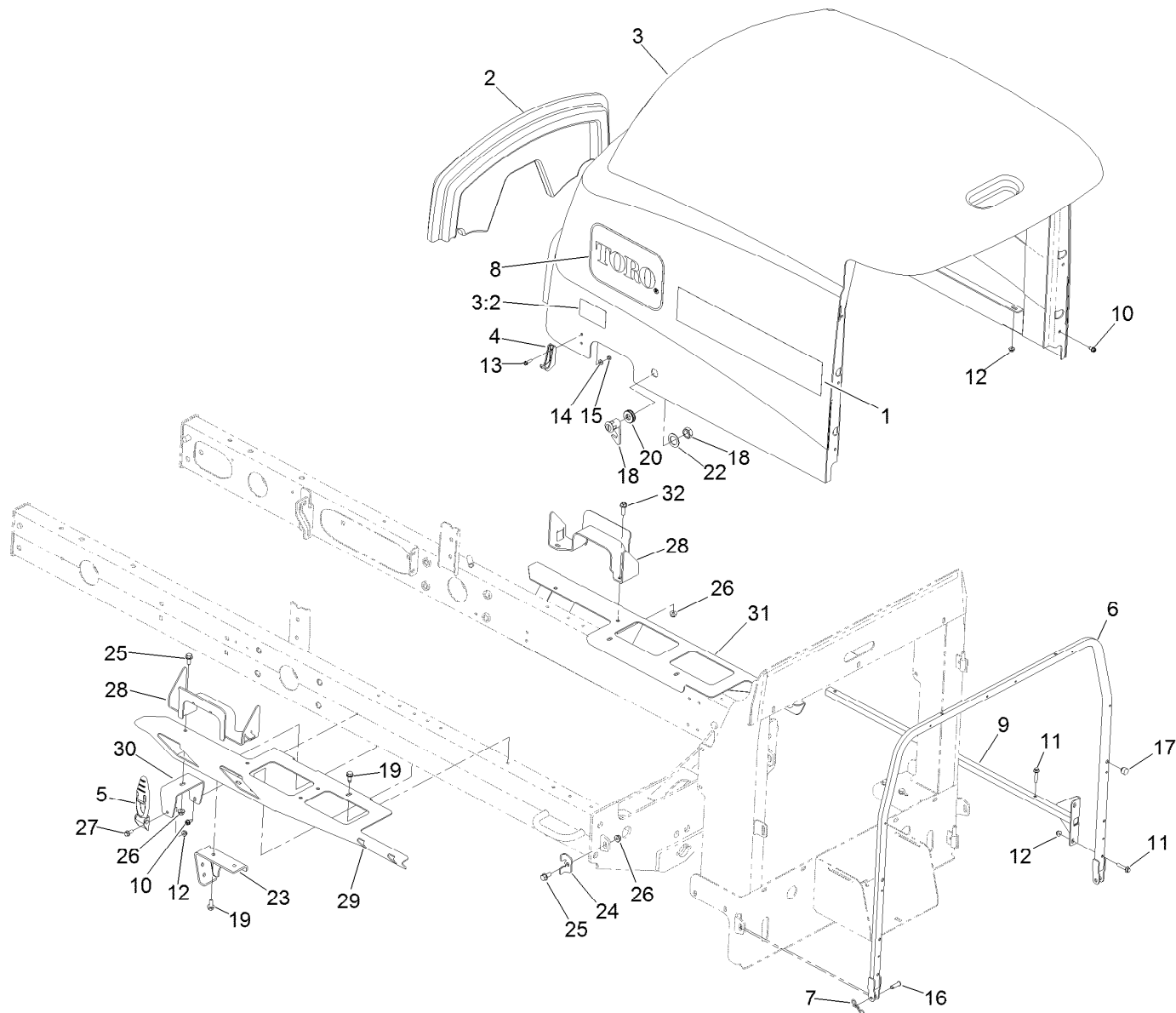
| Ref. | Part Number | Qty. | Description    |
|------|-------------|------|----------------|
| 1    | 108-4595    | 1    | Seal Kit       |
| 1:1  |             | 8    | Seal ●         |
| 1:2  |             | 8    | Seal ●         |
| 1:3  |             | 8    | Ring-Back Up ● |
| 2    | 120-6284    | 3    | Hub-Connecting |
| 3    | 125-8760    | 1    | Kit-Bolt       |
| 3:1  |             | 2    | Bolt-Stud ●    |
| 3:2  |             | 2    | Screw ●        |
| 3:3  |             | 4    | Washer ●       |
| 3:4  |             | 2    | Nut ●          |

● Not serviced separately



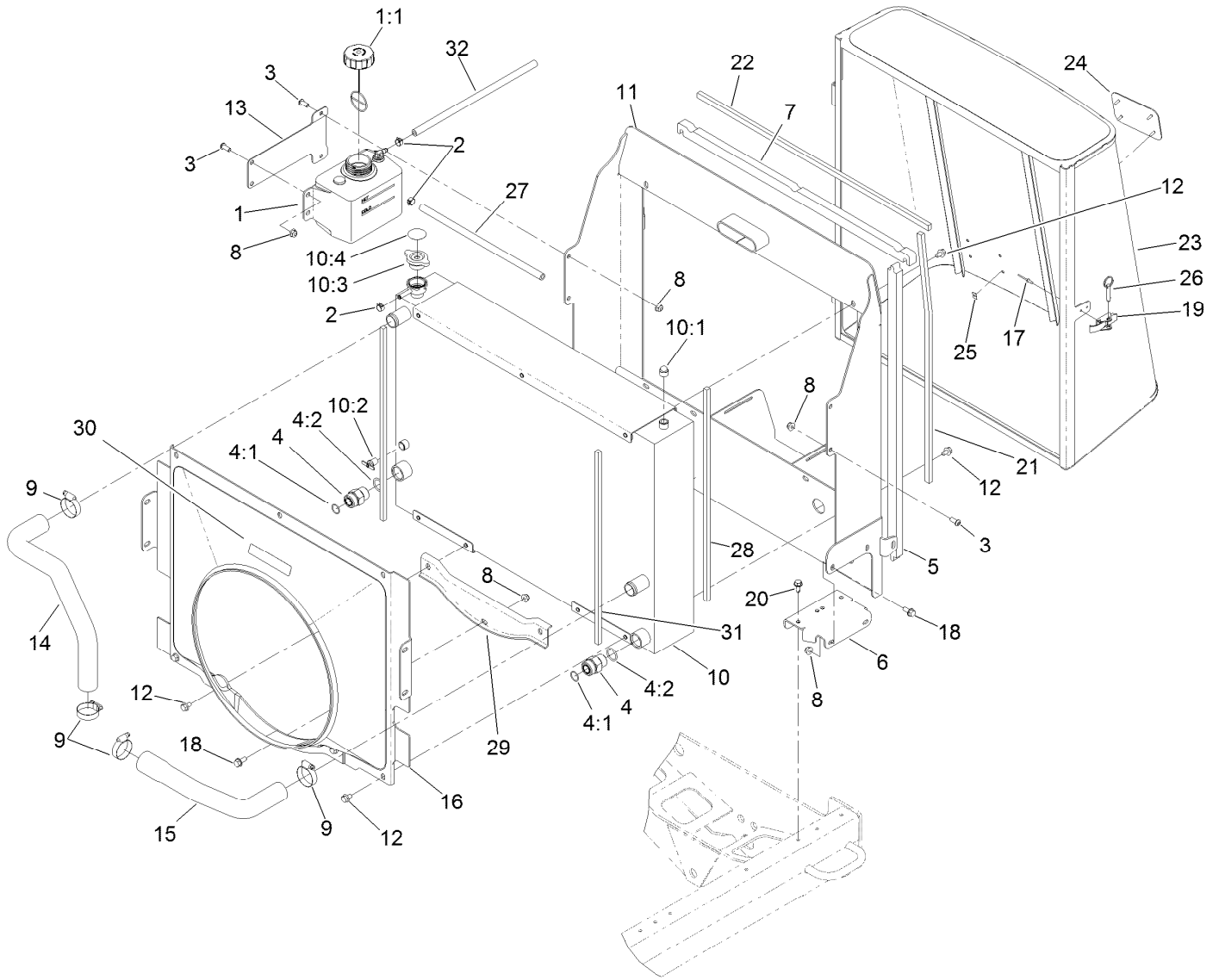
## Seat Base Assembly

| <i>Ref.</i> | <i>Part Number</i> | <i>Qty.</i> | <i>Description</i> | <i>Ref.</i> | <i>Part Number</i> | <i>Qty.</i> | <i>Description</i>    |
|-------------|--------------------|-------------|--------------------|-------------|--------------------|-------------|-----------------------|
| 1           | 110-5255           | 2           | Bumper-Base, Seat  | 13          | 3256-24            | 4           | Washer-Flat           |
| 2           | 104-8301           | 4           | Nut-HF, NI         | 14          | 125-2121-03        | 1           | Hinge-Seatbase        |
| 3           | 3231-27            | 4           | Screw-CARR         | 15          | 104-4821           | 1           | Spring-Torsion        |
| 4           | 283-83             | 2           | Pin-Clevis         | 16          | 3272-6             | 1           | Pin-Cotter            |
| 5           | 110-8971           | 1           | Latch              | 17          | 94-3829            | 1           | Pin-Clevis            |
| 6           | 3290-307           | 4           | Pin-Cotter         | 18          | 3256-2             | 1           | Washer-Flat           |
| 7           | 98-0917            | 2           | Rod-Prop           | 19          | 240-12             | 1           | Grommet-Rubber        |
| 8           | 108-1757           | 1           | Cover-Seatbase     | 20          | 127-2711-03        | 1           | Bracket-Harness       |
| 9           | 125-2122-03        | 1           | Seat Base ASM      | 21          | 3234-13            | 3           | Screw-HHF             |
| 10          | 99-7411            | 1           | Point-Power        | 22          | 3296-16            | 3           | Nut-Lock, NI          |
| 11          | 99-7416            | 1           | Cap                | 23          | 127-2615-03        | 1           | Bracket-Harness, Wire |
| 12          | 3272-11            | 2           | Pin-Cotter         |             |                    |             |                       |



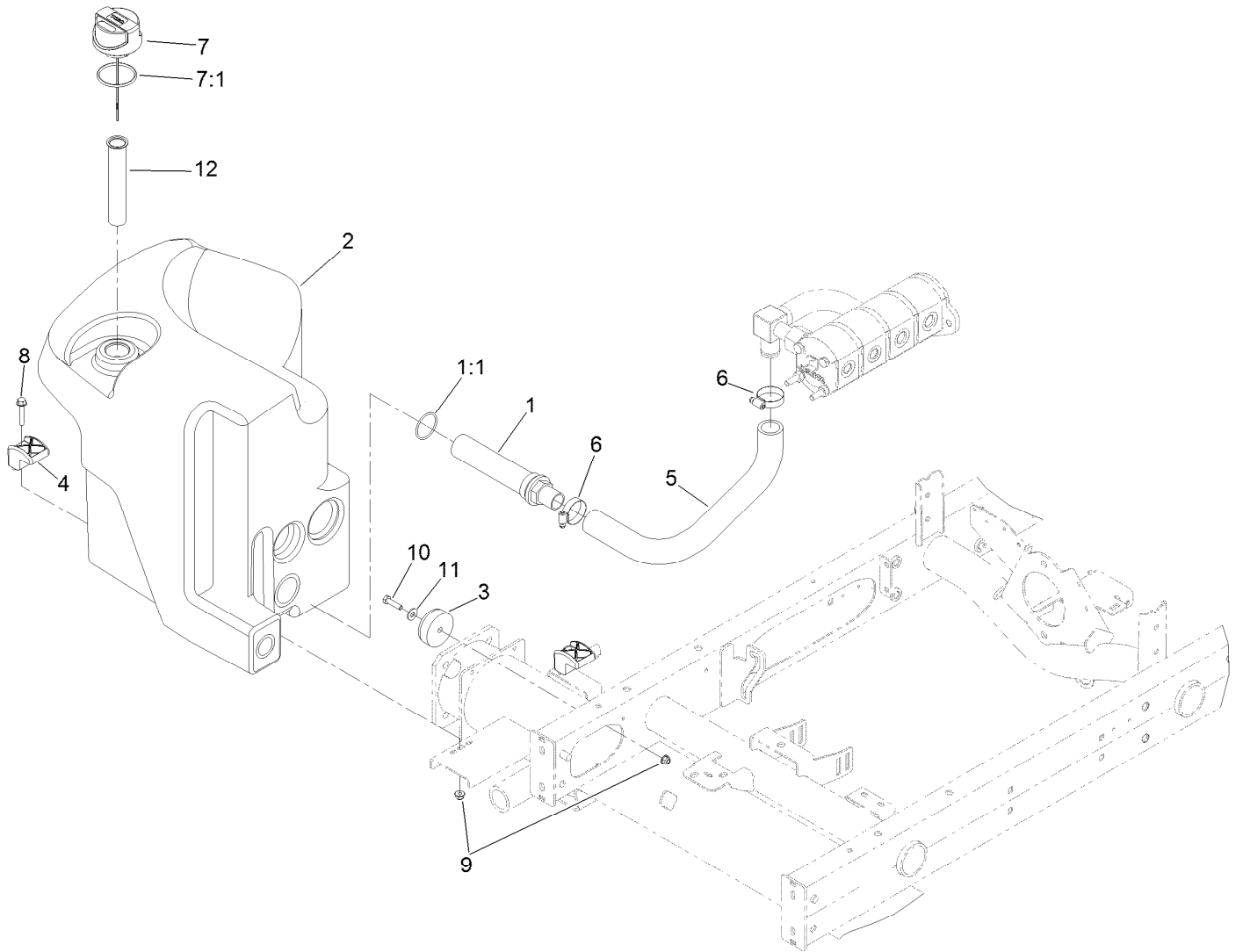
## Hood Assembly

| Ref. | Part Number | Qty. | Description      | Ref. | Part Number | Qty. | Description           |
|------|-------------|------|------------------|------|-------------|------|-----------------------|
| 1    | 133-2937    | 2    | Decal            | 16   | 283-61      | 2    | Pin-Yoke              |
| 2    | 108-7587    | 1    | Saddle-Hood      | 17   | 107-8042    | 2    | Bumper-Rubber         |
| 3    | 121-5616    | 1    | Hood ASM         | 18   | 98-5398     | 1    | Latch                 |
| 3:2  | 106-6754    | 1    | Decal-Danger     | 19   | 32104-32    | 6    | Screw-HWH             |
| 4    | 103-2897    | 2    | Latch-Catch      | 20   | 104-1453    | 1    | Grommet               |
| 5    | 103-2898    | 2    | Latch-Rubber     | 22   | 99-4958     | 1    | Spacer                |
| 6    | 125-8813-03 | 1    | Tube-Frame, Hood | 23   | 110-0979-03 | 2    | Bracket-Deflector     |
| 7    | 105-7512    | 2    | Pin-Tie, Bow     | 24   | 110-8946    | 2    | Clamp-Frame, Radiator |
| 8    | 66-6140     | 2    | Decal            | 25   | 3234-5      | 2    | Screw-HHF             |
| 9    | 108-1790-03 | 2    | Tube             | 26   | 104-8300    | 6    | Nut-HF, NI            |
| 10   | 32104-17    | 12   | Screw-HWH        | 27   | 3234-33     | 2    | Screw-HHF             |
| 11   | 3234-21     | 10   | Screw-HHF        | 28   | 121-5627-03 | 2    | Guide-Hood            |
| 12   | 104-7201    | 12   | Nut-HF, NI       | 29   | 110-5253-01 | 1    | Adapter-Hood, LH      |
| 13   | 32105-13    | 4    | Screw-HWH        | 30   | 110-5256-01 | 2    | Bracket-Latch, Hood   |
| 14   | 3256-14     | 4    | Washer-Flat      | 31   | 110-5254-01 | 1    | Adapter-Hood, RH      |
| 15   | 3296-12     | 4    | Nut-Lock, NI     | 32   | 3234-17     | 4    | Screw-HHF             |



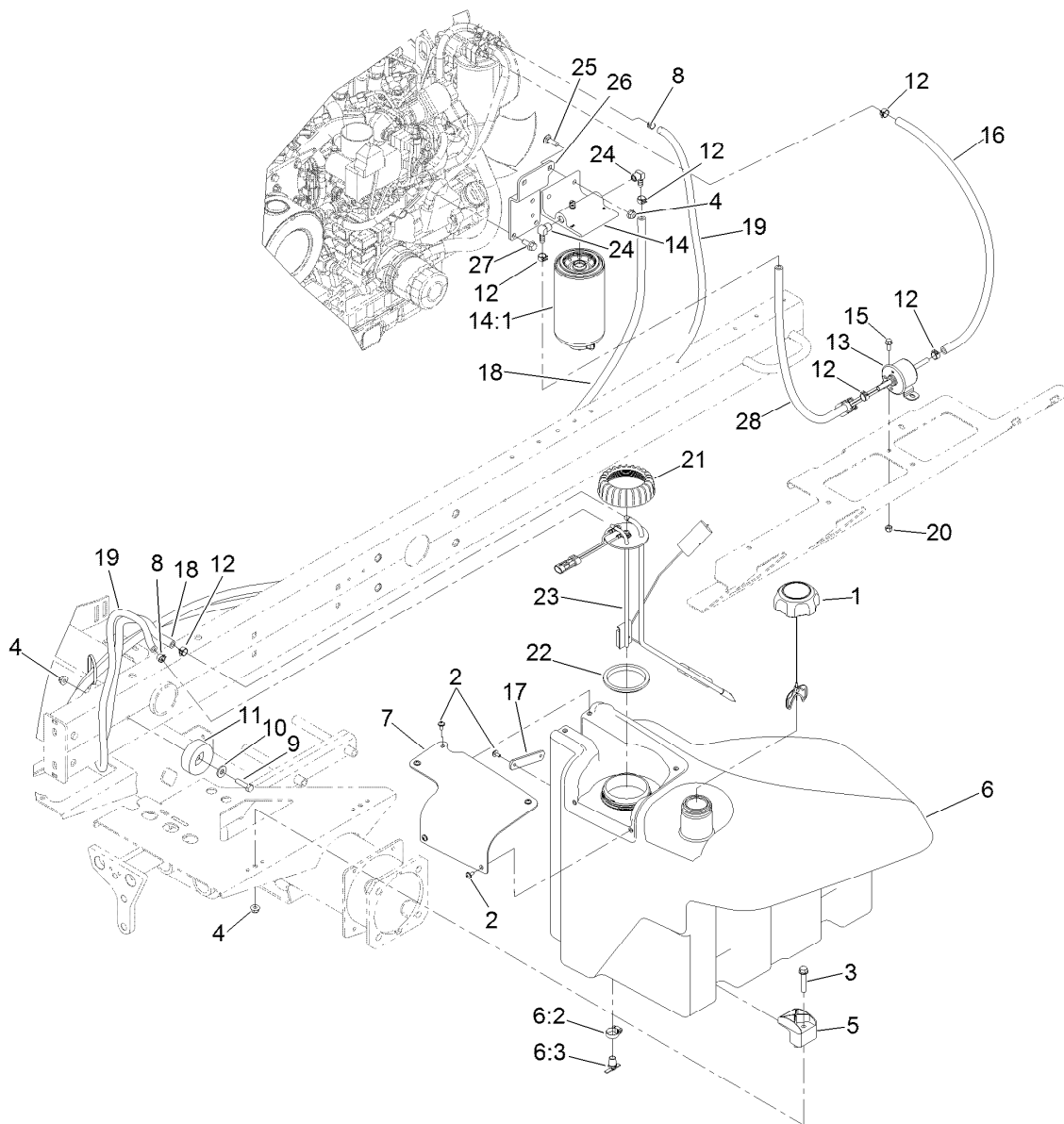
## Cooling System Assembly

| Ref. | Part Number | Qty. | Description                    | Ref. | Part Number | Qty. | Description              |
|------|-------------|------|--------------------------------|------|-------------|------|--------------------------|
| 1    | 120-5573    | 1    | Coolant Reservoir ASM          | 13   | 121-5568-03 | 1    | Bracket-Reservoir        |
| 1:1  | 87-7050     | 1    | Cap-Reservoir                  | 14   | 121-5557    | 1    | Hose-Radiator, Upper     |
| 2    | 92-2379     | 3    | Clamp-Hose                     | 15   | 121-5558    | 1    | Hose-Radiator, Lower     |
| 3    | 3274-55     | 5    | Screw-HSBH                     | 16   | 125-2901    | 1    | Shroud-Fan, Turbo Diesel |
| 4    | 340-9       | 2    | Fitting-STR                    | 17   | 3269-15     | 2    | Rivet-Pop                |
| 4:1  | 237-58      | 1    | O-Ring                         | 18   | 3234-5      | 5    | Screw-HHF                |
| 4:2  | 237-81      | 1    | O-Ring                         | 19   | 115-1554    | 1    | Latch-Draw               |
| 5    | 121-5554    | 2    | Seal-Foam                      | 20   | 32104-32    | 6    | Screw-HWH                |
| 6    | 110-5310-01 | 2    | Bracket-Mounting               | 21   | 121-5575    | 2    | Seal-Foam                |
| 7    | 110-5276    | 2    | Seal-Foam                      | 22   | 121-5576    | 1    | Seal-Foam                |
| 8    | 104-8300    | 10   | Nut-HF, NI                     | 23   | 120-3844-03 | 1    | Screen                   |
| 9    | 2412-3      | 4    | Clamp-Hose                     | 24   | 93-6028     | 1    | Plate-Logo               |
| 10   | 120-3840    | 1    | Oil Cooler And Radiator<br>ASM | 25   | 94-2638     | 4    | Nut-Flat                 |
| 10:1 | 281-13      | 1    | Plug-Pipe                      | 26   | 115-1556    | 1    | Pin-Ball, Detent         |
| 10:2 | 304-46      | 1    | Draincock                      | 27   | 110-8752    | 1    | Hose-Fuel                |
| 10:3 | 93-5957     | 1    | Cap-Radiator                   | 28   | 110-0969    | 2    | Seal-Foam                |
| 10:4 | 106-6755    | 1    | Decal-Cap, Radiator            | 29   | 125-2905    | 1    | Cap-Shroud, Diesel       |
| 11   | 120-3815-03 | 1    | Frame-Radiator                 | 30   | 93-7272     | 1    | Decal-Warning            |
| 12   | 3234-30     | 14   | Screw-HHF                      | 31   | 125-8767    | 2    | Seal-Foam                |
|      |             |      |                                | 32   | 110-3257    | 1    | Hose-Fuel                |



## Hydraulic Tank Assembly

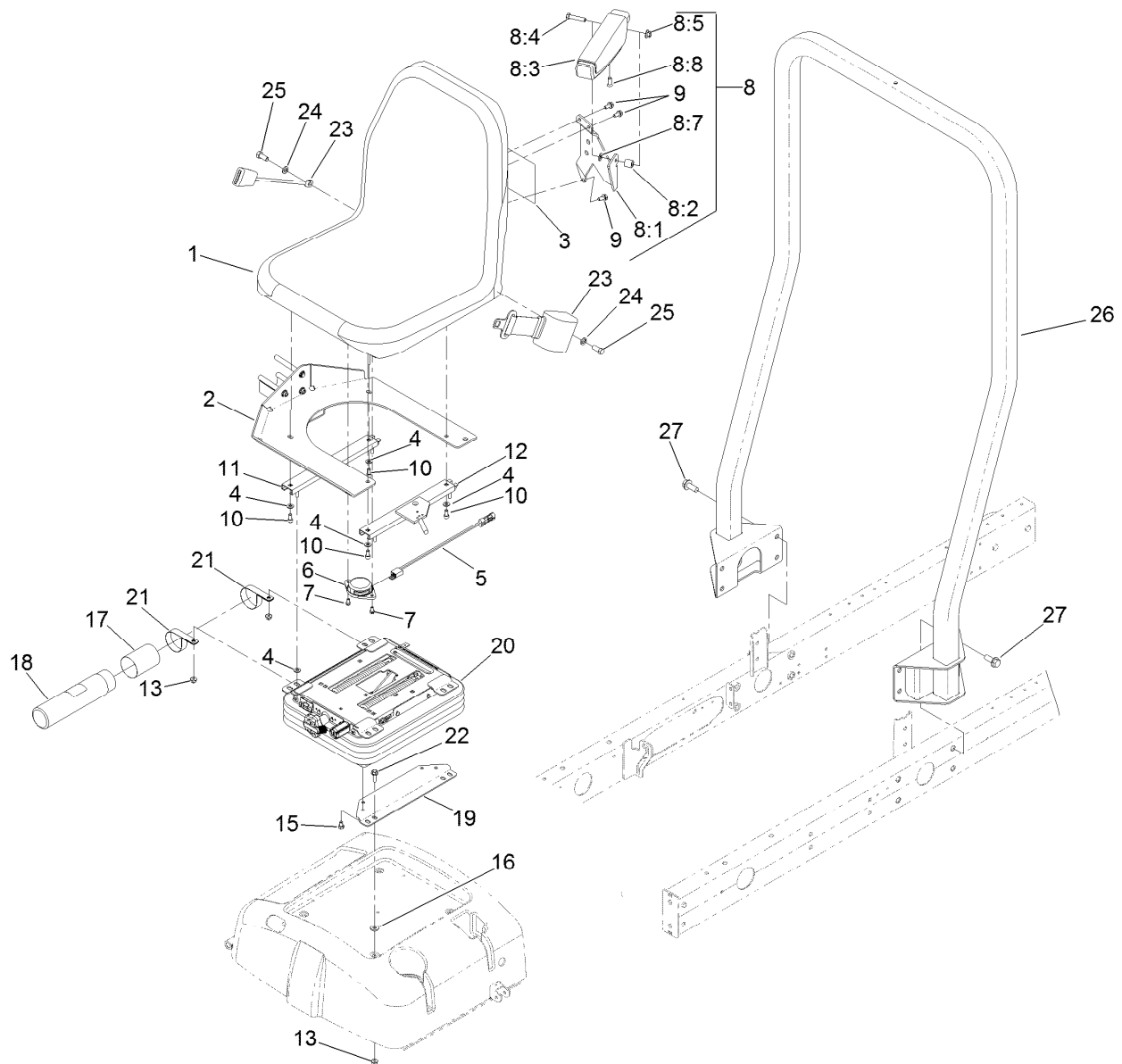
| <i>Ref.</i> | <i>Part Number</i> | <i>Qty.</i> | <i>Description</i>             |
|-------------|--------------------|-------------|--------------------------------|
| 1           | 105-0131           | 1           | Strainer-Tank, Oil             |
| 1:1         | 340-136            | 1           | O-Ring                         |
| 2           | 121-5587           | 1           | Tank-Hydraulic                 |
| 3           | 108-1605           | 1           | Bumper-Recess                  |
| 4           | 107-4543           | 2           | Clamp                          |
| 5           | 108-1685           | 1           | Hose-Formed                    |
| 6           | 2412-111           | 2           | Clamp-Hose, W/Liner            |
| 7           | 117-0193           | 1           | Cap-Hydraulic, Vented Breather |
| 7:1         | 237-101            | 1           | O-Ring                         |
| 8           | 94-5780            | 2           | Screw-HWH                      |
| 9           | 104-8300           | 3           | Nut-HF, NI                     |
| 10          | 322-6              | 1           | Screw-HH                       |
| 11          | 3256-3             | 1           | Washer-Flat                    |
| 12          | 61-2790            | 1           | Filter-Screen                  |



## Fuel System Assembly

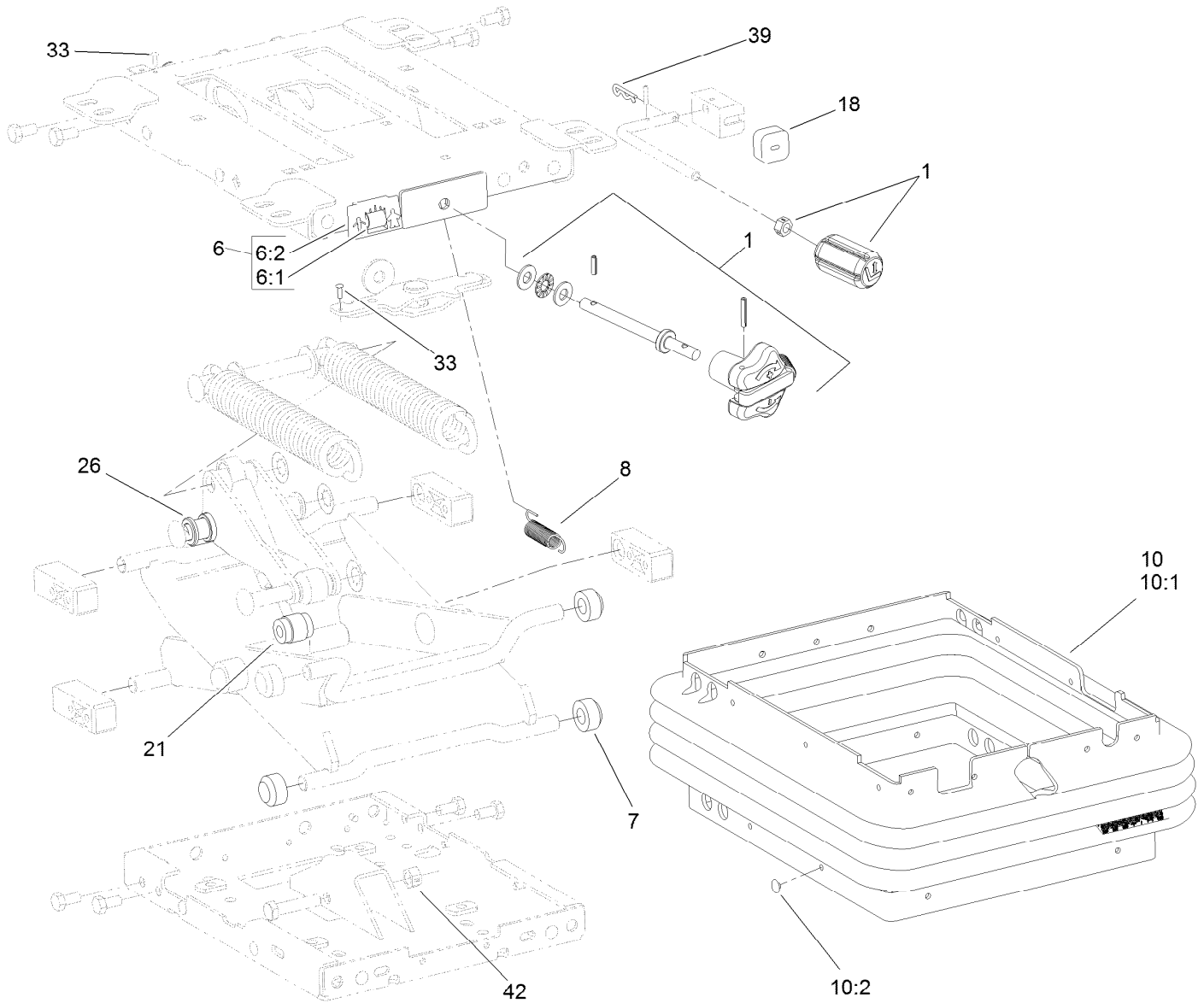
| Ref. | Part Number | Qty. | Description                        | Ref. | Part Number | Qty. | Description                 |
|------|-------------|------|------------------------------------|------|-------------|------|-----------------------------|
| 1    | 125-9173    | 1    | Cap-Fuel, Diesel, Ultra Low Sulfur | 14   | 125-2914    | 1    | Filter-Separator            |
| 2    | 109-2661    | 7    | Screw-PPH                          | 14:1 | 125-2915    | 1    | Filter-Fuel/Water Separator |
| 3    | 94-5780     | 2    | Screw-HWH                          | 15   | 3234-33     | 2    | Screw-HHF                   |
| 4    | 104-8300    | 5    | Nut-HF, NI                         | 16   | 109-0308    | 1    | Hose-Fuel                   |
| 5    | 107-4543    | 2    | Clamp                              | 17   | 125-2945    | 1    | Strap-Cable                 |
| 6    | 125-2907    | 1    | Fuel Tank ASM                      | 18   | 121-5608    | 1    | Hose-Fuel                   |
| 6:2  | 2412-36     | 1    | Clamp-Hose                         | 19   | 121-5614    | 1    | Hose-Fuel                   |
| 6:3  | 304-46      | 1    | Draincock                          | 20   | 3296-42     | 2    | Nut-Lock, NI                |
| 7    | 125-2903    | 1    | Cover-Pump/Sender                  | 21   | 115-2162    | 1    | Cap-Pump, Fuel              |
| 8    | 2412-98     | 2    | Clamp-Hose                         | 22   | 115-2163    | 1    | Gasket-Pump, Fuel           |
| 9    | 322-6       | 1    | Screw-HH                           | 23   | 121-5642    | 1    | Sender-Fuel                 |
| 10   | 3256-3      | 1    | Washer-Flat                        | 24   | 353-781     | 2    | Fitting-HYD, 90             |
| 11   | 108-1605    | 1    | Bumper-Recess                      | 25   | 3230-2      | 2    | Bolt-CARR                   |
| 12   | 92-2379     | 6    | Clamp-Hose                         | 26   | 120-6299-03 | 1    | Bracket-Separator           |
| 13   | 121-5613    | 1    | Pump-Fuel, Electric                | 27   | 33104-020   | 3    | Screw-HHF                   |
|      |             |      |                                    | 28   | 109-0274    | 1    | Hose-Fuel                   |





## Seat Mounting and Roll-Over Protection System Assembly

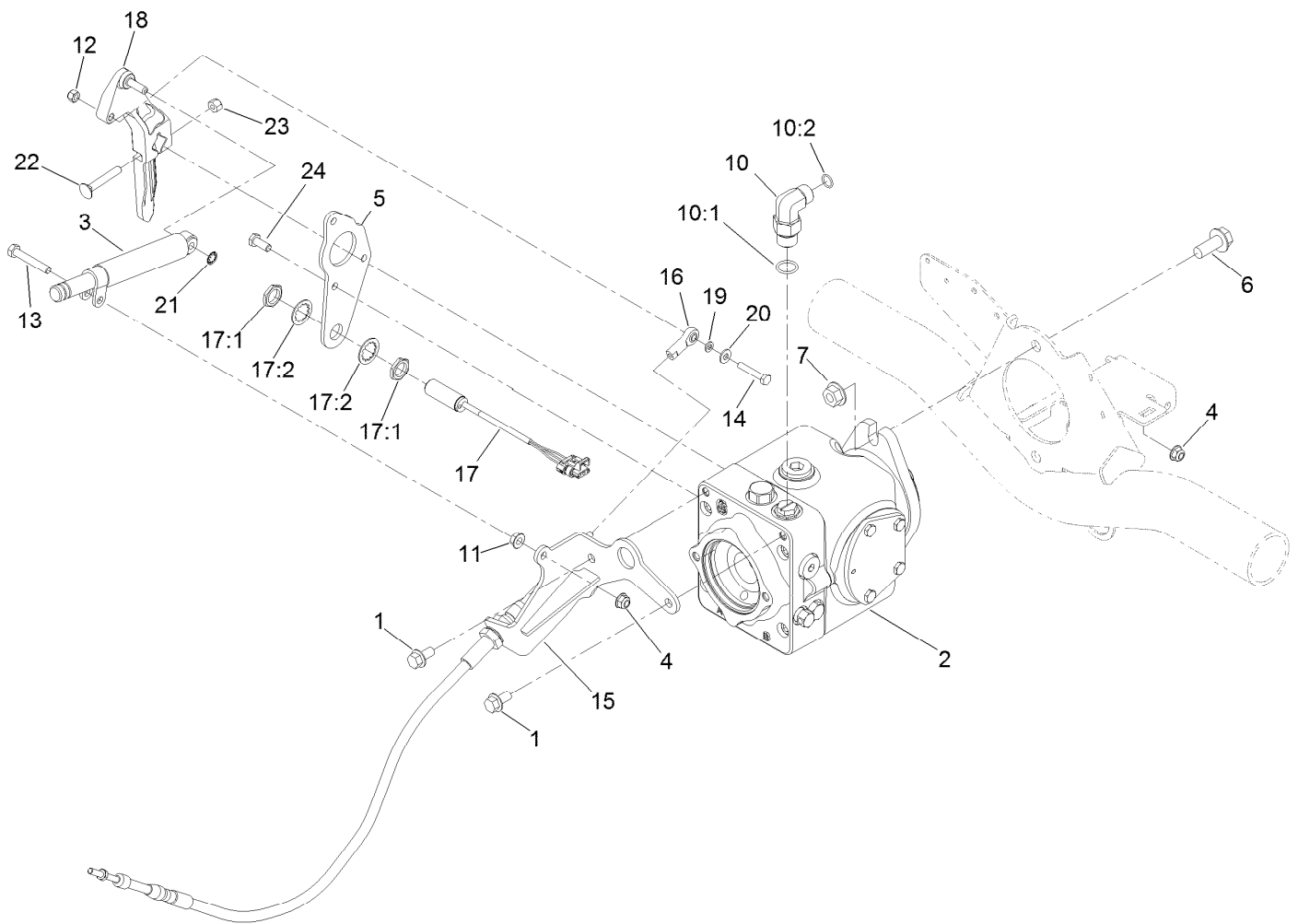
| Ref. | Part Number | Qty. | Description            | Ref. | Part Number | Qty. | Description                |
|------|-------------|------|------------------------|------|-------------|------|----------------------------|
| 1    | 104-4620    | 1    | Seat                   | 11   | 92-8990     | 1    | Adjuster-Seat, Non-Locking |
| 2    | 125-2900-03 | 1    | Mount-Seat             | 12   | 92-8991     | 1    | Adjuster (W/Latch)         |
| 3    | 125-2927    | 1    | Decal-Service          | 13   | 104-8300    | 8    | Nut-HF, NI                 |
| 4    | 3256-23     | 8    | Washer-Plain           | 15   | 48-7680     | 4    | Screw-HH                   |
| 5    | 108-8657    | 1    | Harness-Wire, Seat     | 16   | 71-9310     | 4    | Spacer                     |
| 6    | 92-6282     | 1    | Switch-Seat            | 17   | 104-7048    | 1    | Cap-Housing                |
| 7    | 9266714     | 2    | Screw-HWH              | 18   | 104-7050    | 1    | Tube-Manual                |
| 8    | 92-7307     | 1    | LH Armrest ASM         | 19   | 108-6590-03 | 2    | Bracket-Seat, Lower        |
| 8:1  | 69-0760     | 1    | Bracket-Arm, LH        | 20   | 110-8851    | 1    | Mechanical Suspension ASM  |
| 8:2  | 92-7301     | 1    | Spacer                 | 21   | 2412-133    | 2    | Clamp-R                    |
| 8:3  | 69-1180     | 1    | Armrest                | 22   | 3234-17     | 4    | Screw-HHF                  |
| 8:4  | 323-9       | 1    | Screw-HH               | 23   | 100-4928    | 1    | Belt-Seat                  |
| 8:5  | 32128-19    | 1    | Nut-HF Lock, Large Flg | 24   | 3253-6      | 2    | Washer-Lock                |
| 8:7  | 3256-24     | 1    | Washer-Flat            | 25   | 3212-4      | 2    | Screw-HH                   |
| 8:8  | 92-7318     | 1    | Screw                  | 26   | 125-8821    | 1    | ROPS ASM                   |
| 9    | 3234-14     | 3    | Screw-HHF              | 27   | 3234-38     | 8    | Screw-HHF                  |
| 10   | 3274-12     | 4    | Screw-HSH              |      |             |      |                            |



## Mechanical Seat Suspension Assembly No. 110-8851

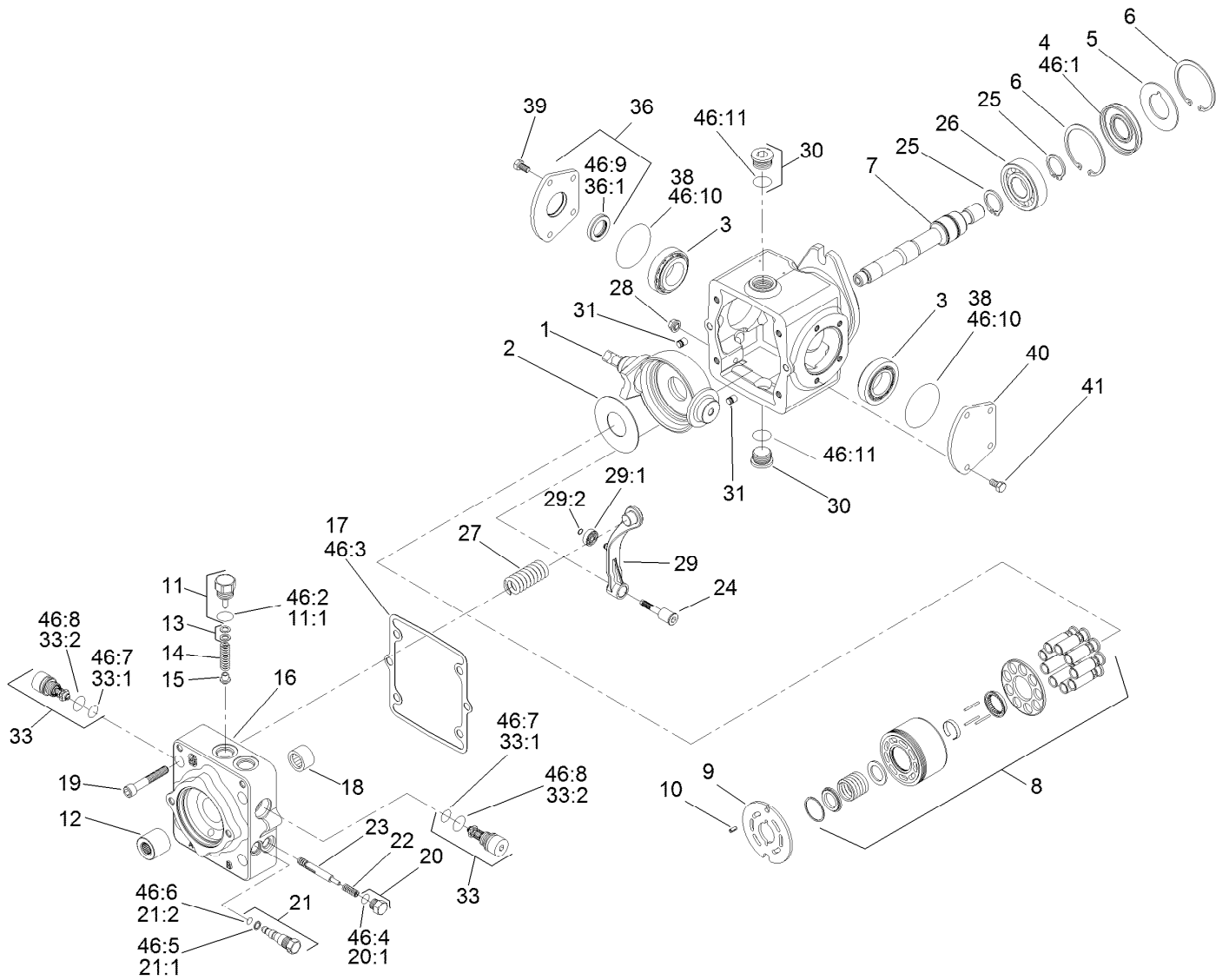
| Ref. | Part Number | Qty. | Description                  |
|------|-------------|------|------------------------------|
| 1    | 119-8040    | 1    | Knobs Service Kit            |
| 6    | 108-4584    | 1    | Weight Indicator Service Kit |
| 6:1  |             | 1    | Tape-Weight Adjust ●         |
| 6:2  |             | 1    | Guide-Weight Adjust ●        |
| 7    | 108-9632    | 4    | Roller                       |
| 8    | 108-9633    | 1    | Spring-Extension             |
| 10   | 112-0164    | 1    | Boot Kit                     |
| 10:1 |             | 1    | Boot-Suspension ●            |
| 10:2 | 108-9641    | 21   | Clip-Plug                    |
| 18   | 108-9634    | 1    | Bumper                       |
| 21   | 108-9614    | 1    | Damper                       |
| 26   | 108-9622    | 2    | Tube                         |
| 33   | 3290-54     | 2    | Rivet-Blind                  |
| 39   | 3272-9      | 1    | Pin-Cotter                   |
| 42   | 32152-2     | 1    | Nut-Lock, Cone               |

● Not serviced separately



## Traction Pump Mounting Assembly

| Ref. | Part Number | Qty. | Description                    | Ref. | Part Number | Qty. | Description                 |
|------|-------------|------|--------------------------------|------|-------------|------|-----------------------------|
| 1    | 3234-1      | 2    | Screw-HHF                      | 14   | 321-9       | 1    | Screw-HH                    |
| 2    | 119-6972    | 1    | Variable Hydraulic Pump<br>ASM | 15   | 127-2356-03 | 1    | Bracket-Cable               |
| 3    | 76-8870     | 1    | Damper-Lever                   | 16   | 2411-41     | 1    | Rod End-Ball Joint          |
| 4    | 104-8300    | 1    | Nut-HF, NI                     | 17   | 115-5300    | 1    | Proximity Switch ASM        |
| 5    | 125-8822-03 | 1    | Plate-Pump                     | 17:1 | 117-3207    | 2    | Nut-Hex                     |
| 6    | 3234-38     | 2    | Screw-HHF                      | 17:2 | 117-3208    | 2    | Washer-Lock, Internal Tooth |
| 7    | 32128-49    | 2    | Nut-HHF                        | 18   | 117-0265    | 1    | Lever-Pump                  |
| 10   | 340-105     | 1    | Fitting-Elbow, 90 DEG          | 19   | 33093-00    | 1    | Washer-Flat                 |
| 10:1 | 237-80      | 1    | O-Ring                         | 20   | 3256-22     | 1    | Washer-Flat                 |
| 10:2 | 237-30      | 1    | O-Ring                         | 21   | 32151-72    | 1    | Ring-Retaining              |
| 11   | 32128-20    | 1    | Nut-HF                         | 22   | 3230-6      | 1    | Bolt-CARR                   |
| 12   | 3296-42     | 1    | Nut-Lock, NI                   | 23   | 3296-29     | 1    | Nut-Lock, NI                |
| 13   | 322-10      | 1    | Screw-HH                       | 24   | 33114-020   | 3    | Screw-HH                    |

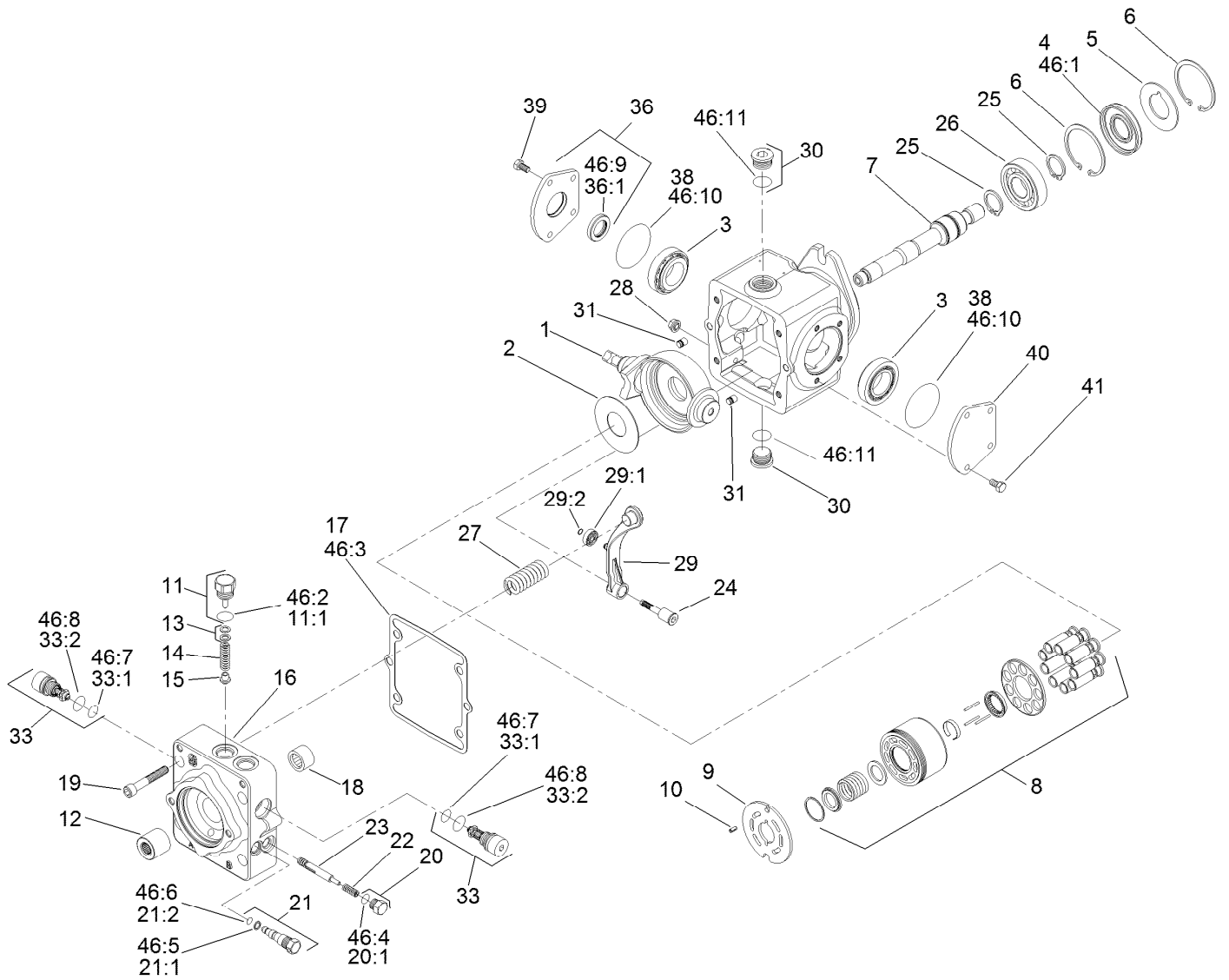


## Hydraulic Pump Assembly No. 119-6972

| Ref. | Part Number | Qty. | Description             | Ref. | Part Number | Qty. | Description            |
|------|-------------|------|-------------------------|------|-------------|------|------------------------|
| 1    | 115-8092    | 1    | Swashplate              | 18   | 75-0500     | 1    | Bearing-Needle         |
| 2    | 75-0400     | 1    | Plate-Thrust            | 19   | 110-6489    | 4    | Screw                  |
| 3    | 110-6483    | 2    | Bearing Kit             | 20   | 94-9415     | 2    | Plug ASM               |
| 4    | 110-6471    | 1    | Seal-Lip                | 20:1 |             | 1    | O-Ring ■               |
| 5    | 95-4400     | 1    | Washer-Backup           | 21   | 107-4364    | 1    | Bypass Valve ASM       |
| 6    | 69-3200     | 2    | Ring-Retaining          | 21:1 | 25-2630     | 1    | Ring-Back Up           |
| 7    | 110-6484    | 1    | Shaft-Auxiliary         | 21:2 | 110-6498    | 1    | O-Ring                 |
| 8    | 110-6472    | 1    | Cylinder Block Kit ASM  | 22   | 110-6491    | 2    | Spring                 |
| 9    | 110-6473    | 1    | Plate-Valve (Clockwise) | 23   | 110-6492    | 1    | Spool-Loop, Flush      |
| 10   | 110-6485    | 1    | Pin-Slotted             | 24   | 110-6493    | 1    | Pivot-Return, Neutral  |
| 11   | 110-6486    | 1    | Plug-Relief, Charge     | 25   | 69-3170     | 2    | Ring-Retaining         |
| 11:1 | 28-3570     | 1    | O-Ring                  | 26   | 75-0460     | 1    | Bearing-Ball           |
| 12   | 110-6480    | 1    | Coupling                | 27   | 115-8085    | 1    | Spring-Neutral Return  |
| 13   | 92-1353     | 1    | Shim Kit                | 28   | 110-6496    | 1    | Nut-Seal               |
| 14   | 110-6474    | 1    | Spring                  | 29   | 110-6497    | 1    | Neutral Return Arm ASM |
| 15   | 110-6475    | 1    | Poppet                  | 29:1 | 110-6494    | 1    | Bearing-Cam            |
| 16   | 115-8087    | 1    | Cap-End                 | 29:2 | 110-3056    | 1    | Ring-Retaining         |
| 17   | 110-6476    | 1    | Gasket-Cap, End         | 30   | 69-3130     | 2    | Plug                   |

● Not illustrated

■ Not serviced separately

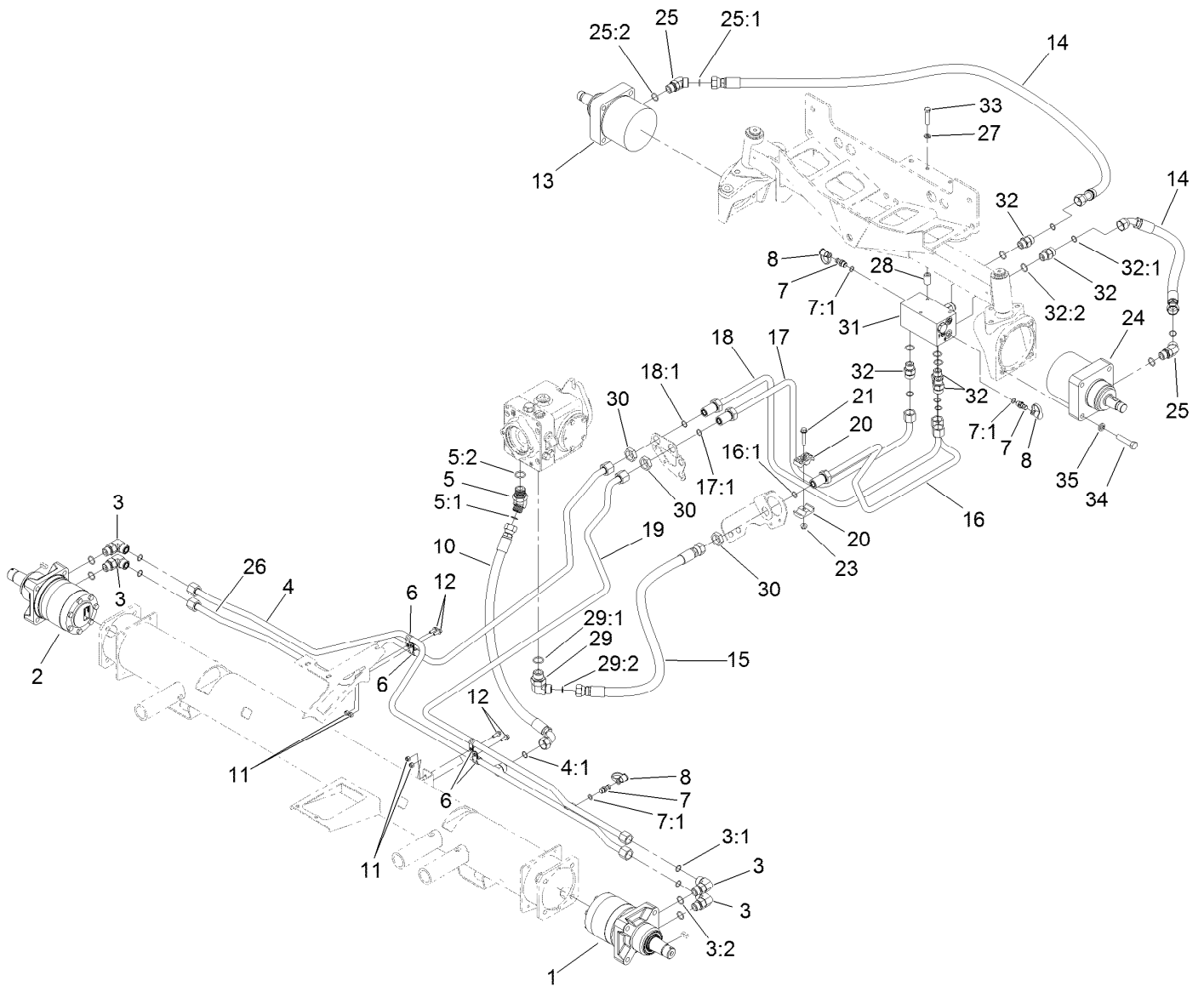


## Hydraulic Pump Assembly No. 119-6972 (continued)

| Ref. | Part Number | Qty. | Description        | Ref.  | Part Number | Qty. | Description     |
|------|-------------|------|--------------------|-------|-------------|------|-----------------|
| 31   | 112-0158    | 2    | Pin                | 46:1  | 110-6471    | 1    | Seal-Lip        |
| 33   | 110-6477    | 2    | Valve-Relief       | 46:2  | 28-3570     | 1    | O-Ring          |
| 33:1 | 75-0240     | 1    | O-Ring             | 46:3  | 110-6476    | 1    | Gasket-Cap, End |
| 33:2 | 84-0560     | 1    | O-Ring             | 46:4  |             | 1    | O-Ring ■        |
| 36   | 110-6499    | 1    | Trunnion Cover ASM | 46:5  | 25-2630     | 1    | Ring-Back Up    |
| 36:1 | 110-6478    | 1    | Seal-Lip           | 46:6  | 110-6498    | 1    | O-Ring          |
| 38   | 84-0430     | 2    | O-Ring             | 46:7  | 75-0240     | 2    | O-Ring          |
| 39   | 112-0150    | 4    | Screw              | 46:8  | 84-0560     | 2    | O-Ring          |
| 40   | 84-0440     | 1    | Cover-Trunnion     | 46:9  | 110-6478    | 1    | Seal-Lip        |
| 41   | 112-0151    | 4    | Screw              | 46:10 | 84-0430     | 2    | O-Ring          |
| 46   | 110-6481    | 1    | Seal Kit ●         | 46:11 |             | 2    | O-Ring ■        |

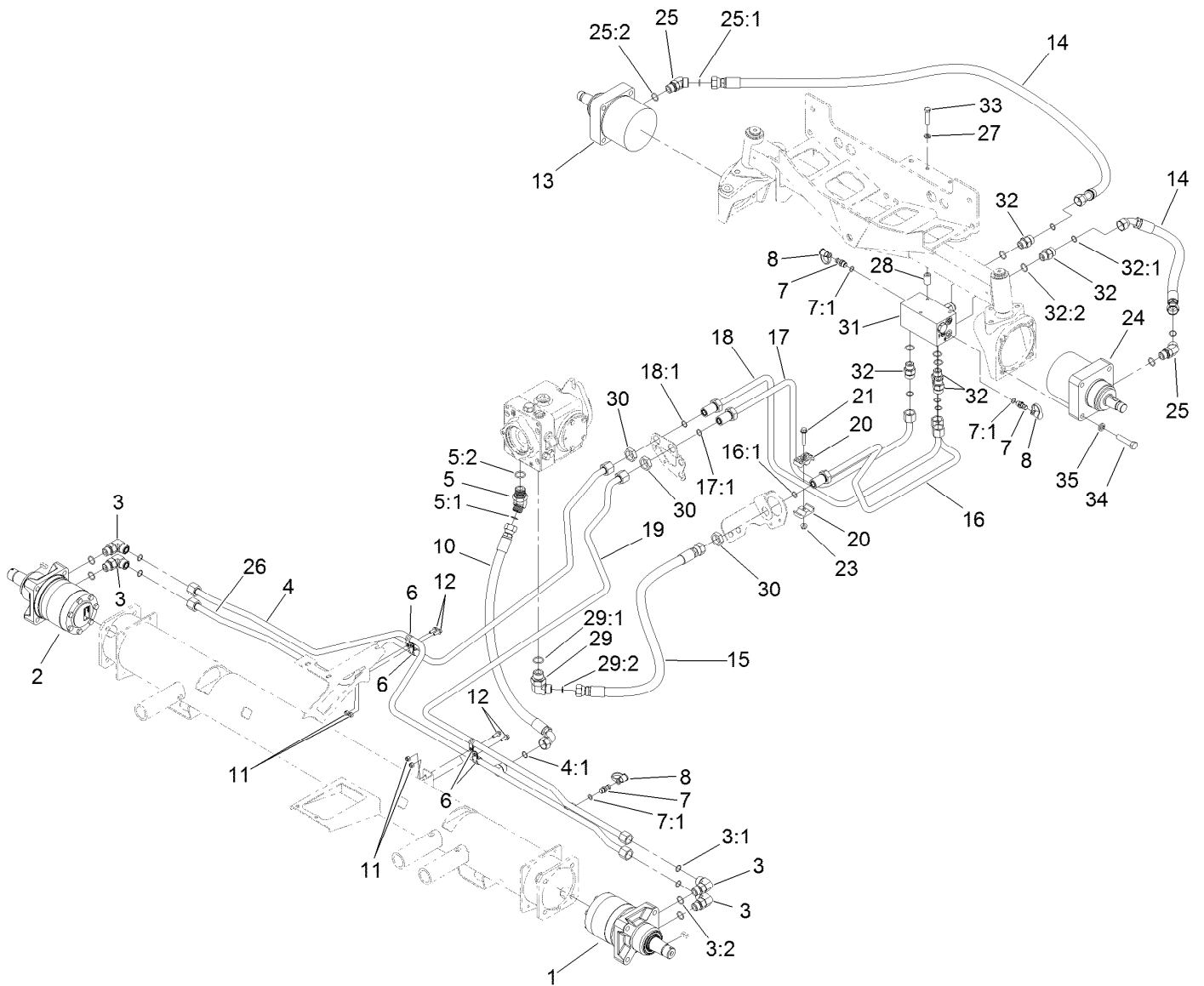
● Not illustrated

■ Not serviced separately



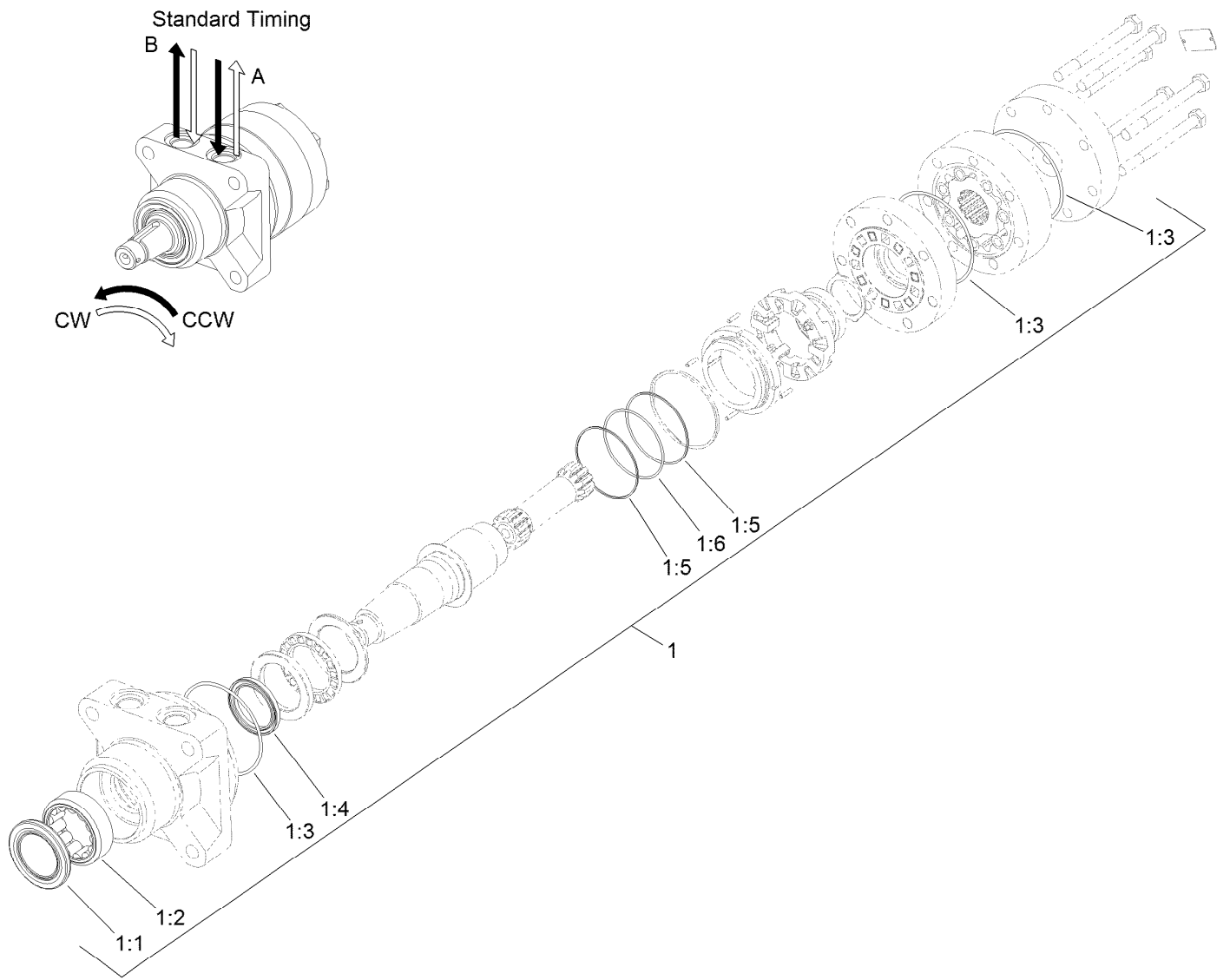
## Hydraulic Drive Assembly

| Ref. | Part Number | Qty. | Description           | Ref. | Part Number | Qty. | Description         |
|------|-------------|------|-----------------------|------|-------------|------|---------------------|
| 1    | 133-2935    | 1    | Hydraulic Motor ASM   | 16:1 | 237-65      | 1    | O-Ring              |
| 2    | 133-2934    | 1    | Hydraulic Motor ASM   | 17   | 108-7625    | 1    | Tube ASM            |
| 3    | 340-17      | 4    | Fitting-Elbow, 90 DEG | 17:1 | 237-65      | 1    | O-Ring              |
| 3:1  | 237-65      | 1    | O-Ring                | 18   | 108-7624    | 1    | Tube ASM            |
| 3:2  | 237-80      | 1    | O-Ring                | 18:1 | 237-65      | 1    | O-Ring              |
| 4    | 108-7632    | 1    | Tube ASM              | 19   | 108-7623    | 1    | Tube ASM            |
| 4:1  | 237-65      | 1    | O-Ring                | 20   | 56-7971     | 2    | Clamp-Tube          |
| 5    | 340-156     | 1    | Fitting-Elbow 45      | 21   | 94-5780     | 1    | Screw-HWH           |
| 5:1  | 237-65      | 1    | O-Ring                | 23   | 104-8300    | 1    | Nut-HF, NI          |
| 5:2  | 237-81      | 1    | O-Ring                | 24   | 107-4544    | 1    | HYD Motor ASM       |
| 6    | 2412-134    | 4    | Clamp-R               | 25   | 340-14      | 4    | Fitting-HYD, 45 DEG |
| 7    | 59-7410     | 3    | Fitting-Diagnostic    | 25:1 | 237-65      | 1    | O-Ring              |
| 7:1  | 237-42      | 1    | O-Ring                | 25:2 | 237-80      | 1    | O-Ring              |
| 8    | 354-79      | 3    | Cap-Dust              | 26   | 108-7622    | 1    | Tube ASM            |
| 10   | 108-1679    | 1    | Hose-HYD              | 27   | 3253-21     | 3    | Washer-Lock         |
| 11   | 3296-42     | 4    | Nut-Lock, NI          | 28   | 93-6981     | 3    | Spacer              |
| 12   | 3234-4      | 4    | Screw-HHF             | 29   | 340-139     | 1    | Fitting-Elbow 90    |
| 13   | 110-0901    | 1    | HYD Motor ASM         | 29:1 | 237-81      | 1    | O-Ring              |
| 14   | 106-3662    | 4    | Hose-HYD              | 29:2 | 237-65      | 1    | O-Ring              |
| 15   | 108-7645    | 1    | Hose-HYD              | 30   | 340-74      | 3    | Nut-Lock, Bulkhead  |
| 16   | 108-7626    | 1    | Tube ASM              | 31   | 108-1825    | 1    | HYD Manifold ASM    |



## Hydraulic Drive Assembly (continued)

| <i>Ref.</i> | <i>Part Number</i> | <i>Qty.</i> | <i>Description</i> | <i>Ref.</i> | <i>Part Number</i> | <i>Qty.</i> | <i>Description</i> |
|-------------|--------------------|-------------|--------------------|-------------|--------------------|-------------|--------------------|
| 32          | 340-7              | 7           | Fitting-Straight   | 33          | 323-9              | 3           | Screw-HH           |
| 32:1        | 237-65             | 1           | O-Ring             | 34          | 325-9              | 8           | Screw-HH           |
| 32:2        | 237-80             | 1           | O-Ring             | 35          | 3253-7             | 8           | Washer-Lock        |

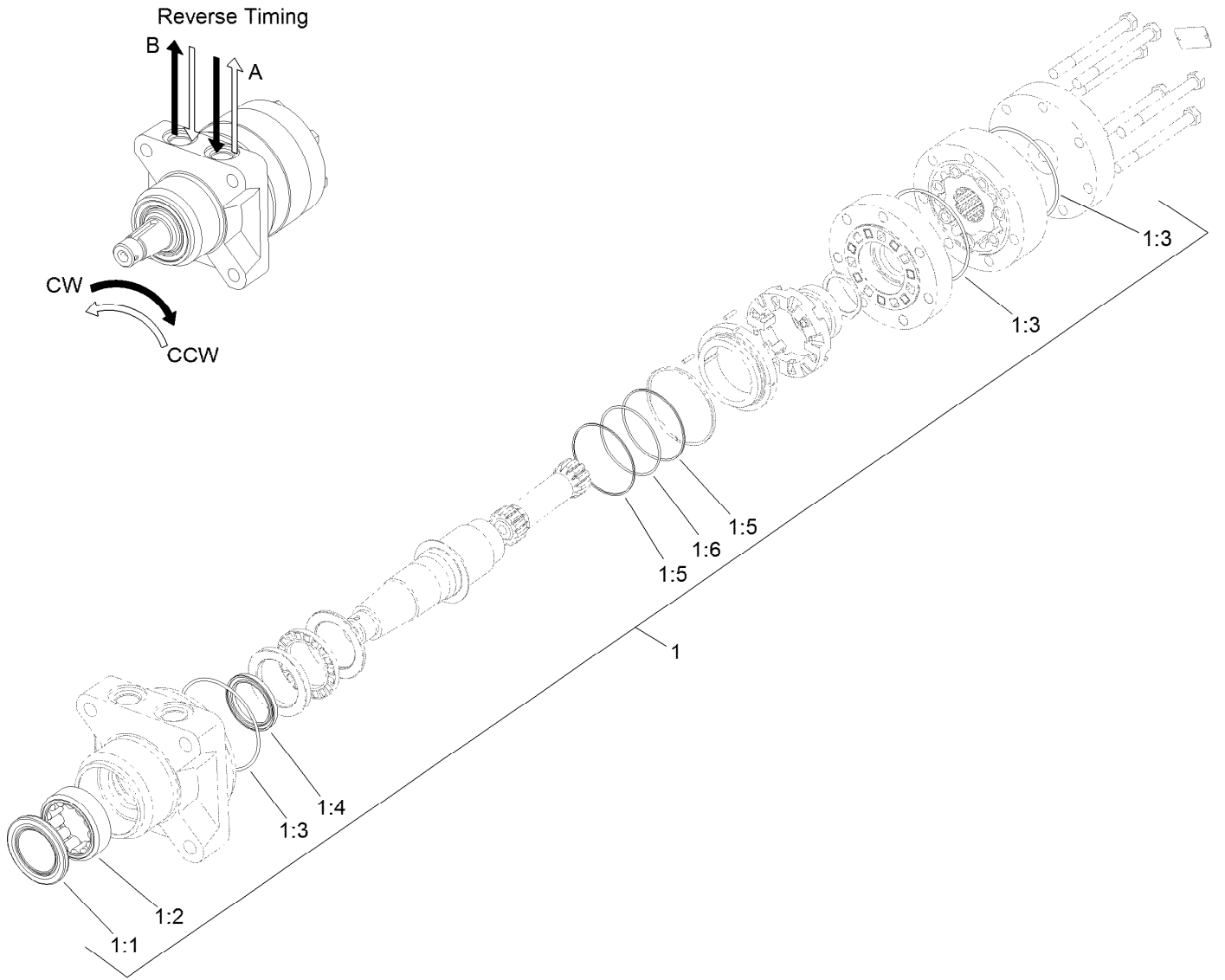


## Hydraulic Motor Assembly No. 133-2935 (CCW)

| Ref. | Part Number | Qty. | Description     |
|------|-------------|------|-----------------|
| 1    | 120-6268    | 1    | Seal Kit        |
| 1:1  |             | 1    | Seal-Grease ●   |
| 1:2  |             | 1    | Shell-Bearing ● |
| 1:3  |             | 3    | O-Ring ●        |
| 1:4  |             | 1    | Seal-Shaft ●    |
| 1:5  |             | 2    | Ring-Back Up ●  |
| 1:6  |             | 1    | O-Ring ●        |

● Not serviced separately



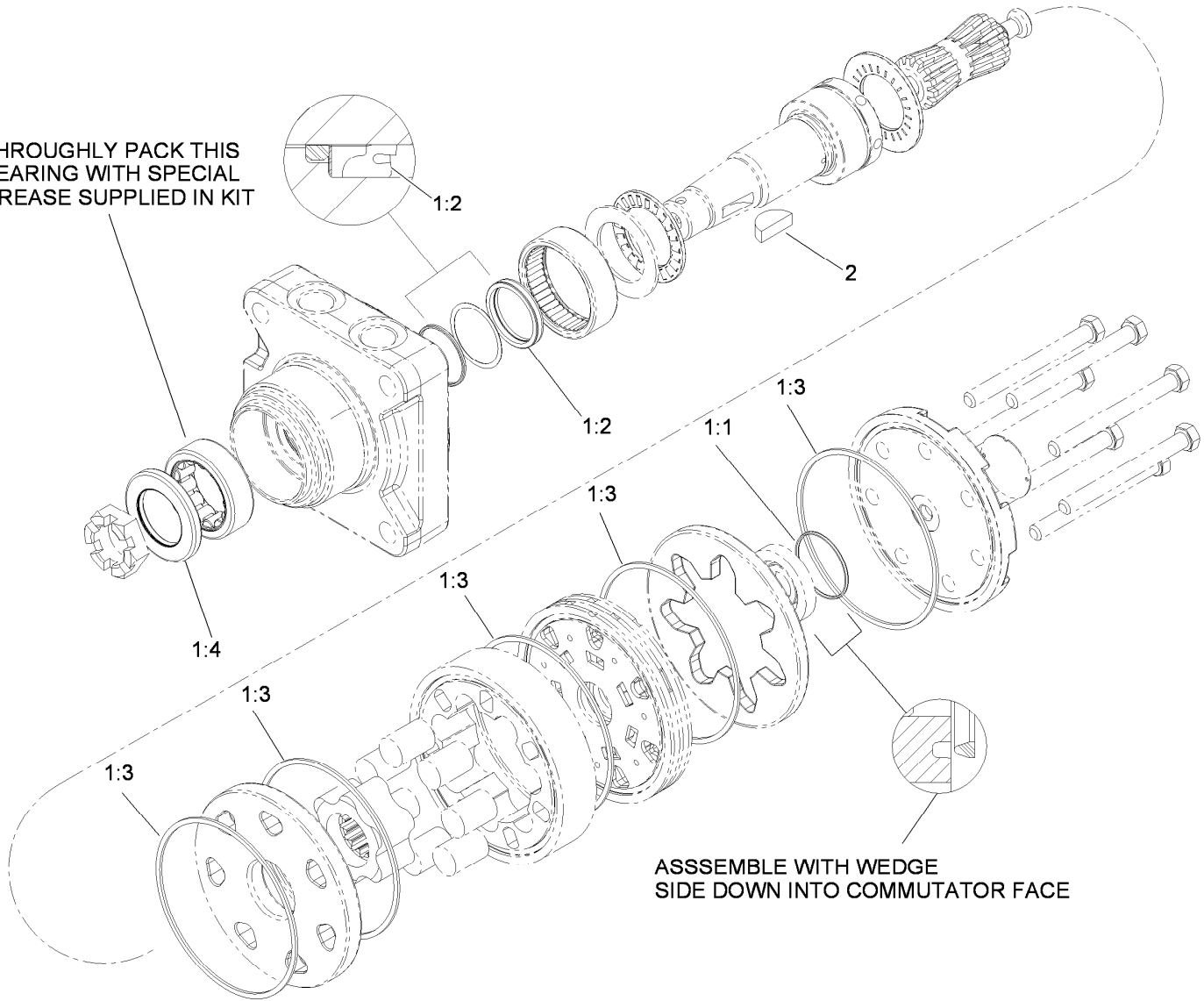


## Hydraulic Motor Assembly No. 133-2934 (CW)

| Ref. | Part Number | Qty. | Description     |
|------|-------------|------|-----------------|
| 1    | 120-6268    | 1    | Seal Kit        |
| 1:1  |             | 1    | Seal-Grease ●   |
| 1:2  |             | 1    | Shell-Bearing ● |
| 1:3  |             | 3    | O-Ring ●        |
| 1:4  |             | 1    | Seal-Shaft ●    |
| 1:5  |             | 2    | Ring-Back Up ●  |
| 1:6  |             | 1    | O-Ring ●        |

● Not serviced separately

THOROUGHLY PACK THIS BEARING WITH SPECIAL GREASE SUPPLIED IN KIT



ASSEMBLE WITH WEDGE SIDE DOWN INTO COMMUTATOR FACE

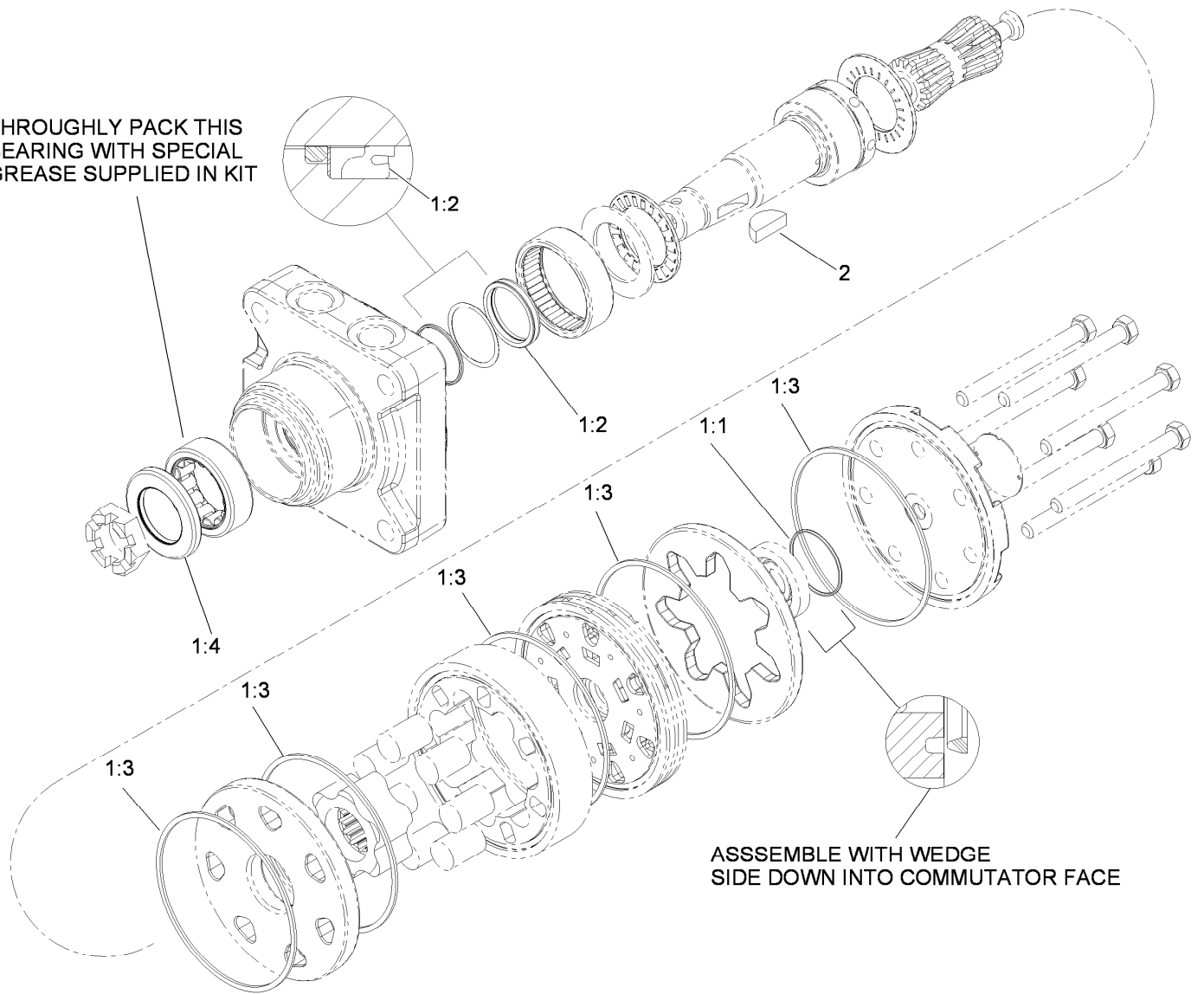
## Hydraulic Motor Assembly No. 107-4544

| Ref. | Part Number | Qty. | Description               |
|------|-------------|------|---------------------------|
| 1    | 110-8897    | 1    | Seal Kit ●                |
| 1:1  |             | 1    | Seal-Commutator, Vespel ■ |
| 1:2  |             | 1    | Seal-Shaft ■              |
| 1:3  |             | 5    | Seal-Body, Buna ■         |
| 1:4  |             | 1    | Seal-Dirt / Water ■       |
| 2    | 3257-42     | 1    | Key-Woodruff              |

● Not illustrated

■ Not serviced separately

THOROUGHLY PACK THIS BEARING WITH SPECIAL GREASE SUPPLIED IN KIT



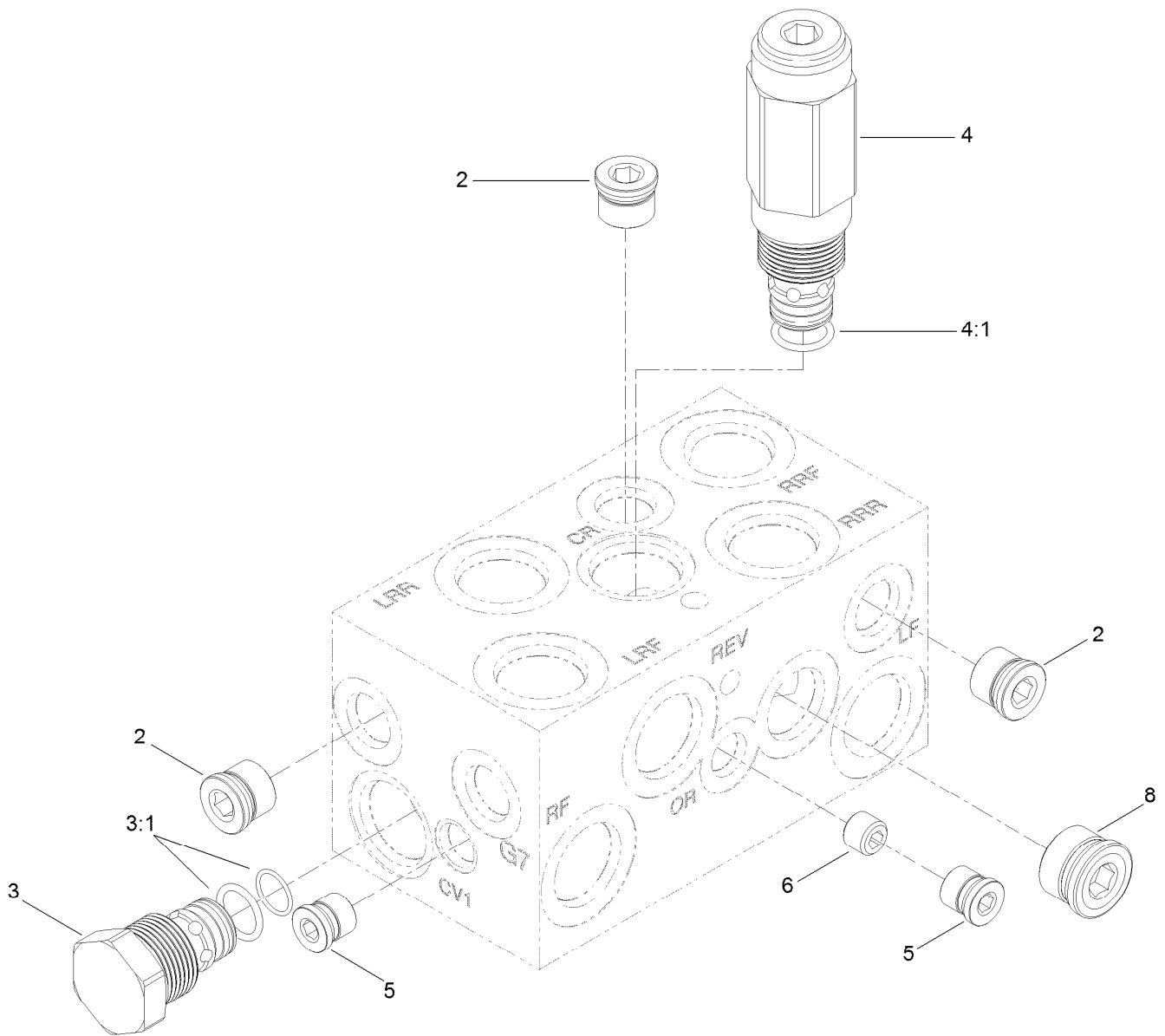
ASSEMBLE WITH WEDGE  
SIDE DOWN INTO COMMUTATOR FACE

## Hydraulic Motor Assembly No. 110-0901

| Ref. | Part Number | Qty. | Description               |
|------|-------------|------|---------------------------|
| 1    | 110-8897    | 1    | Seal Kit ●                |
| 1:1  |             | 1    | Seal-Commutator, Vespel ■ |
| 1:2  |             | 1    | Seal-Shaft ■              |
| 1:3  |             | 5    | Seal-Body, Buna ■         |
| 1:4  |             | 1    | Seal-Dirt / Water ■       |
| 2    | 3257-42     | 1    | Key-Woodruff              |

● Not illustrated

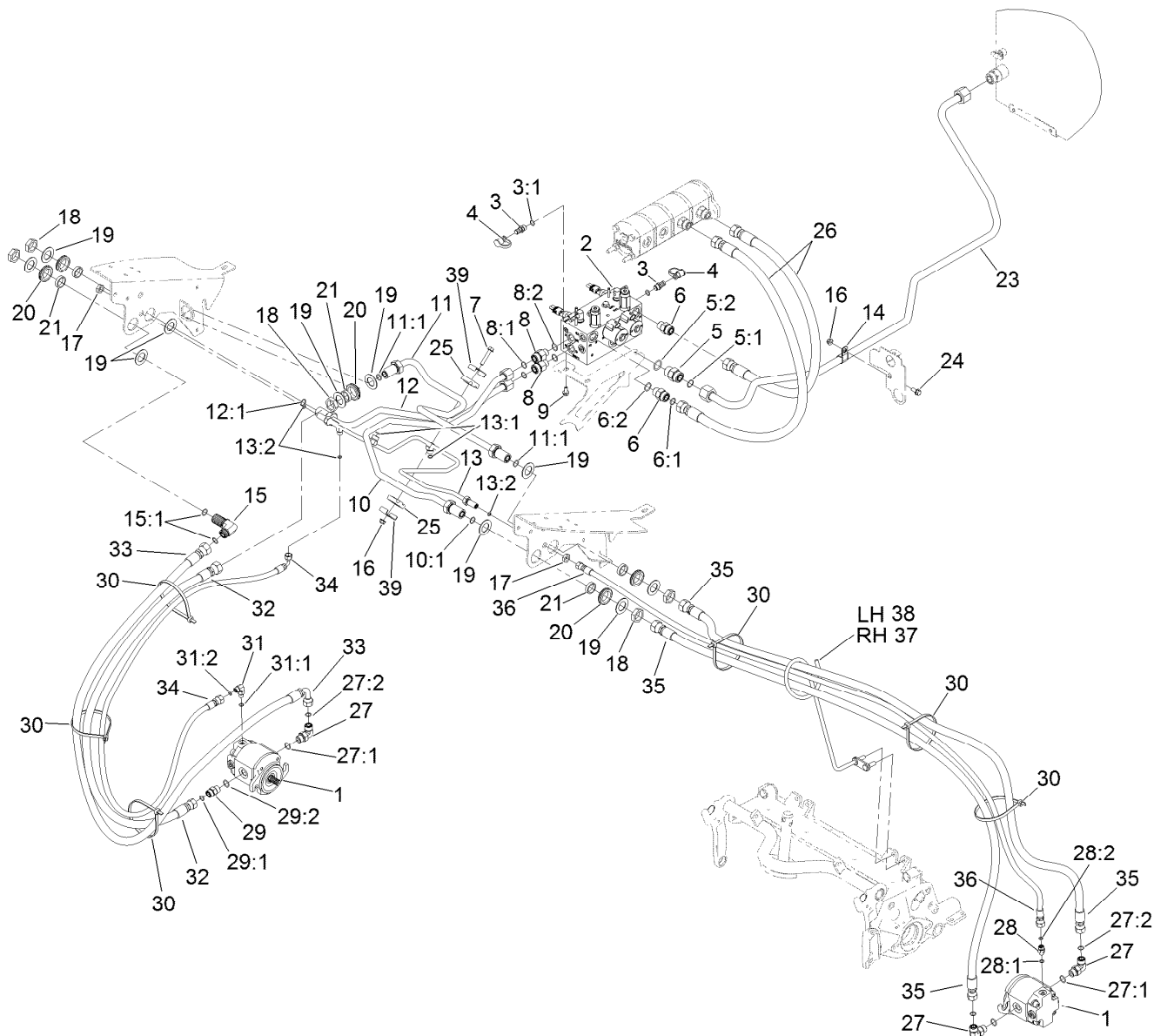
■ Not serviced separately



## Four Wheel Drive Manifold Assembly No. 108-1825

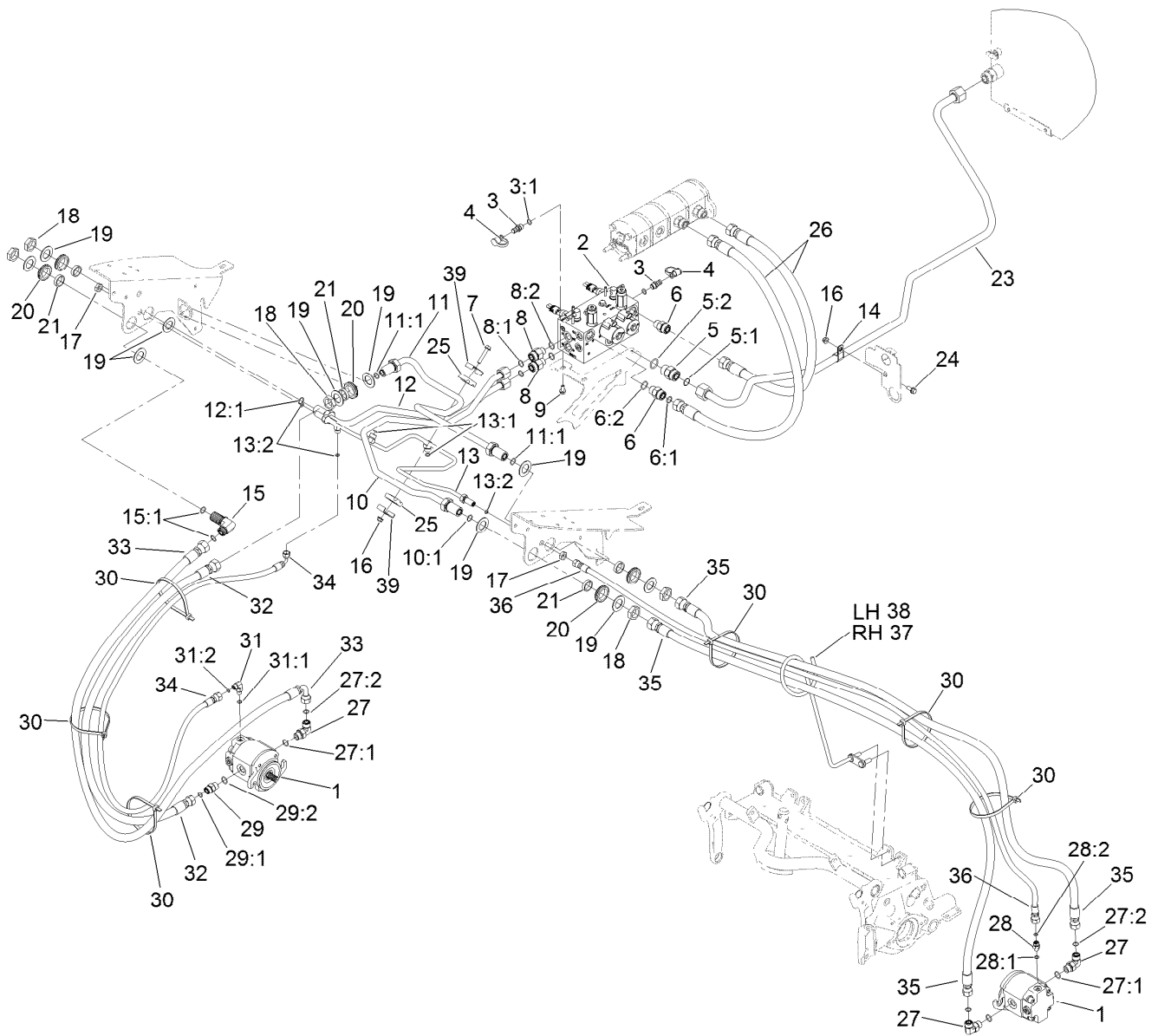
| <i>Ref.</i> | <i>Part Number</i> | <i>Qty.</i> | <i>Description</i>       |
|-------------|--------------------|-------------|--------------------------|
| 2           | 106-1026           | 3           | Plug-HYD                 |
| 3           | 110-8881           | 2           | Valve-Check              |
| 3:1         | 105-9159           | 1           | Seal Kit ●               |
| 4           | 110-8882           | 1           | Valve-Relief, Cross Over |
| 4:1         | 110-6316           | 1           | Seal Kit                 |
| 5           | 106-1025           | 2           | Plug-HYD                 |
| 6           | 110-8883           | 1           | Plug-Orifice (0.040)     |
| 8           | 106-1027           | 1           | Plug                     |

● Not illustrated



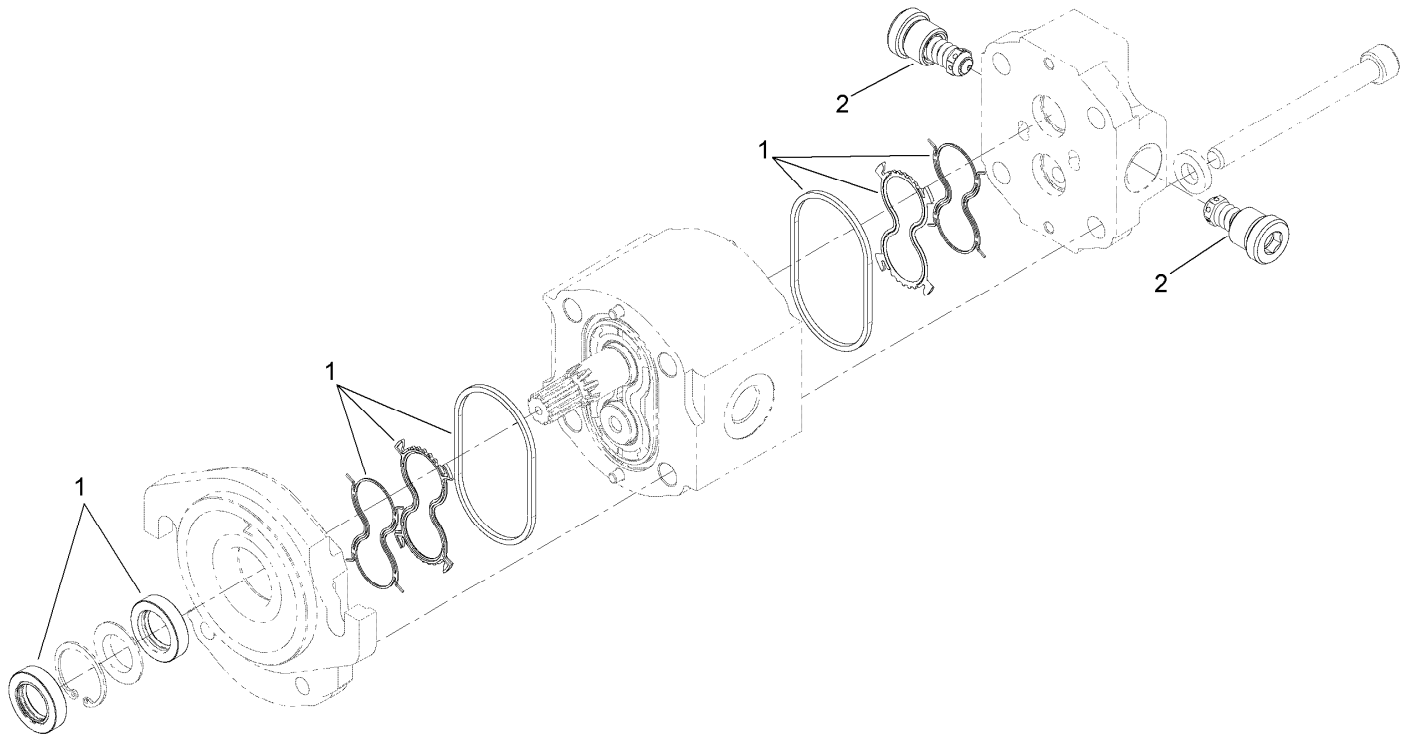
## No. 1, 4 and 5 Reel Drive Hydraulic Assembly

| Ref. | Part Number | Qty. | Description            | Ref. | Part Number | Qty. | Description              |
|------|-------------|------|------------------------|------|-------------|------|--------------------------|
| 1    | 120-6272    | 3    | HYD Motor ASM          | 12:1 | 237-65      | 1    | O-Ring                   |
| 2    | 121-5628    | 1    | Hydraulic Manifold ASM | 13   | 110-5286    | 1    | Tube ASM                 |
| 3    | 59-7410     | 2    | Fitting-Diagnostic     | 13:1 | 237-22      | 2    | O-Ring                   |
| 3:1  | 237-42      | 1    | O-Ring                 | 13:2 | 237-21      | 3    | O-Ring                   |
| 4    | 354-79      | 2    | Cap-Dust               | 14   | 2412-4      | 1    | Clamp-R                  |
| 5    | 340-9       | 1    | Fitting-STR            | 15   | 340-72      | 1    | Fitting-Bulkhead, 90 DEG |
| 5:1  | 237-58      | 1    | O-Ring                 | 15:1 | 237-65      | 2    | O-Ring                   |
| 5:2  | 237-81      | 1    | O-Ring                 | 16   | 104-8300    | 2    | Nut-HF, NI               |
| 6    | 340-7       | 2    | Fitting-Straight       | 17   | 340-78      | 2    | Nut-Lock                 |
| 6:1  | 237-65      | 1    | O-Ring                 | 18   | 340-74      | 5    | Nut-Lock, Bulkhead       |
| 6:2  | 237-80      | 1    | O-Ring                 | 19   | 69-9010     | 10   | Washer                   |
| 7    | 115-1794    | 1    | Screw-HHF              | 20   | 240-3       | 5    | Grommet-Rubber           |
| 8    | 340-155     | 2    | Fitting-Straight       | 21   | 125-1984    | 5    | Spacer                   |
| 8:1  | 237-79      | 1    | O-Ring                 | 23   | 120-3769    | 1    | Hydraulic Tube ASM       |
| 8:2  | 237-151     | 1    | O-Ring                 | 24   | 3234-5      | 1    | Screw-HHF                |
| 9    | 3234-14     | 3    | Screw-HHF              | 25   | 56-7970     | 2    | Clamp-Tube               |
| 10   | 117-0138    | 1    | Tube ASM               | 26   | 108-1686    | 2    | Hose-HYD                 |
| 10:1 | 237-65      | 1    | O-Ring                 | 27   | 340-98      | 5    | Fitting-Elbow, 90 DEG    |
| 11   | 117-0137    | 1    | Tube ASM               | 27:1 | 237-79      | 1    | O-Ring                   |
| 11:1 | 237-65      | 2    | O-Ring                 | 27:2 | 237-30      | 1    | O-Ring                   |
| 12   | 117-0139    | 1    | Tube ASM               | 28   | 340-92      | 2    | Fitting-Straight         |



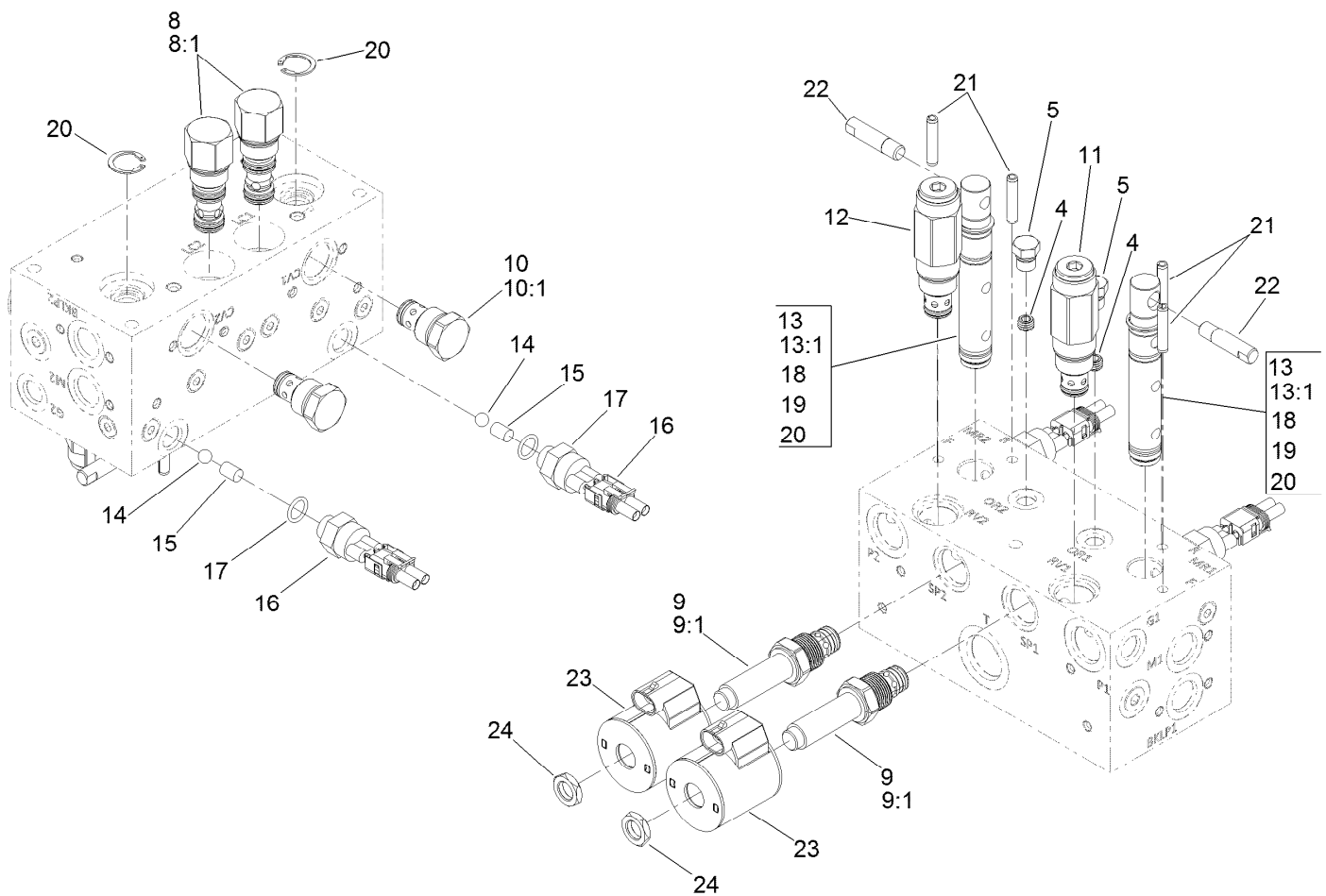
## No. 1, 4 and 5 Reel Drive Hydraulic Assembly (continued)

| <i>Ref.</i> | <i>Part Number</i> | <i>Qty.</i> | <i>Description</i>    | <i>Ref.</i> | <i>Part Number</i> | <i>Qty.</i> | <i>Description</i> |
|-------------|--------------------|-------------|-----------------------|-------------|--------------------|-------------|--------------------|
| 28:1        | 237-78             | 1           | O-Ring                | 32          | 114-0633           | 1           | Hose-HYD           |
| 28:2        | 237-21             | 1           | O-Ring                | 33          | 117-5190           | 1           | Hose-HYD           |
| 29          | 340-4              | 1           | Fitting-Straight      | 34          | 106-3671           | 1           | Hose-HYD           |
| 29:1        | 237-30             | 1           | O-Ring                | 35          | 117-5188           | 4           | Hose-HYD           |
| 29:2        | 237-79             | 1           | O-Ring                | 36          | 106-3680           | 2           | Hose-HYD           |
| 30          | 3334-945           | 9           | Tie-Cable             | 37          | 119-3920           | 1           | Guide-Hose, RH     |
| 31          | 340-132            | 1           | Fitting-Elbow, 90 DEG | 38          | 119-3921           | 1           | Guide-Hose, LH     |
| 31:1        | 237-78             | 1           | O-Ring                | 39          | 119-1419           | 2           | Plate-Clamp        |
| 31:2        | 237-21             | 1           | O-Ring                |             |                    |             |                    |



## Hydraulic Motor Assembly No. 120-6272

| <i>Ref.</i> | <i>Part Number</i> | <i>Qty.</i> | <i>Description</i> |
|-------------|--------------------|-------------|--------------------|
| 1           | 138-1234           | 1           | Seal Kit           |
| 2           | 117-5107           | 1           | Valve-Check        |

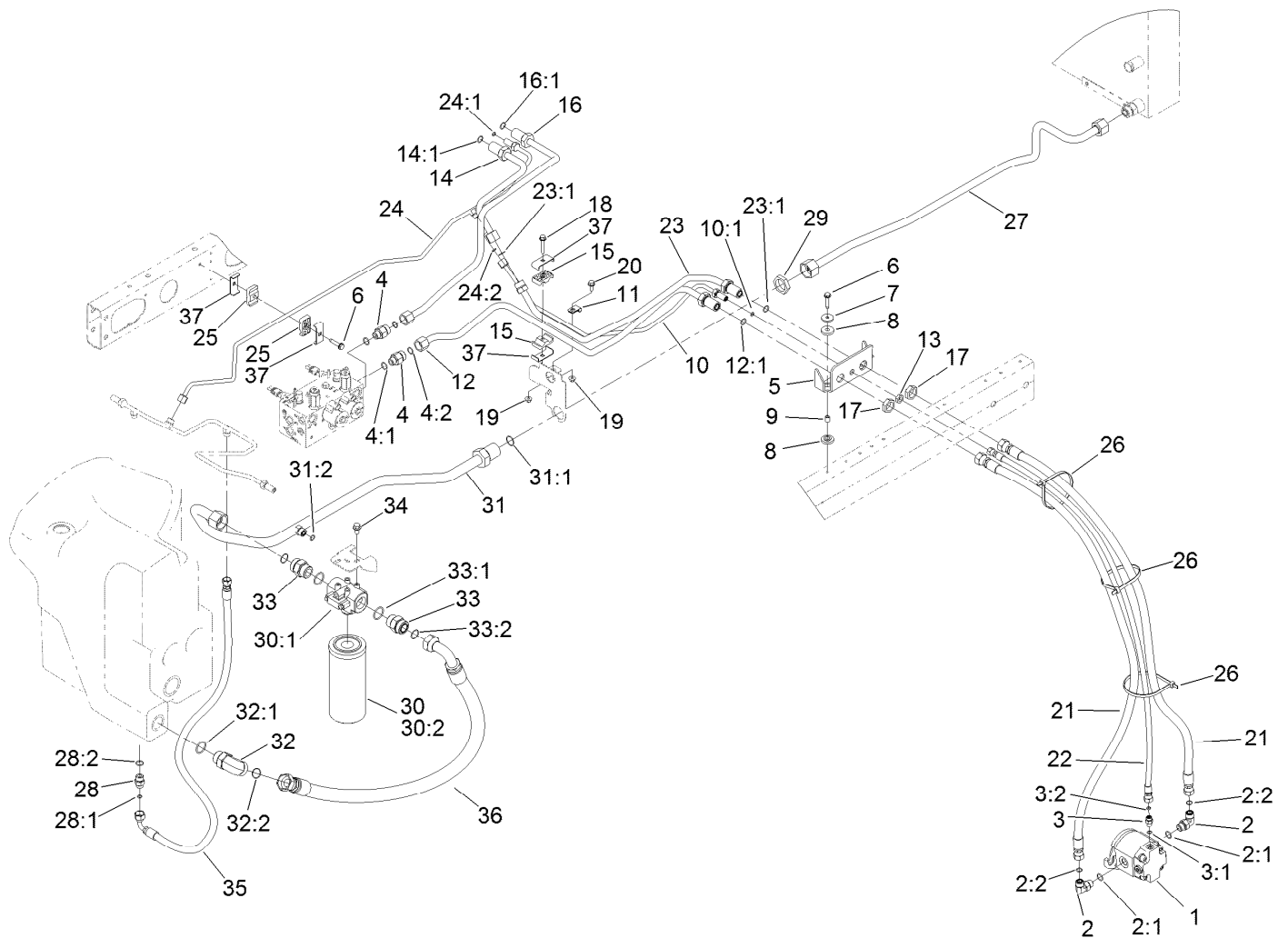


## Manifold Assembly No. 121-5628

| Ref. | Part Number | Qty. | Description            | Ref. | Part Number | Qty. | Description    |
|------|-------------|------|------------------------|------|-------------|------|----------------|
| 4    | 110-8883    | 1    | Plug-Orifice (0.040)   | 14   | 117-4605    | 2    | Ball-SS        |
| 5    | 117-0115    | 1    | Plug                   | 15   | 120-1650    | 2    | Pin            |
| 8    | 120-1693    | 2    | Compensator-Pressure   | 16   | 72-4310     | 2    | Switch-Ball    |
| 8:1  | 119-2159    | 1    | Seal Kit               | 17   | 110-8757    | 2    | O-Ring         |
| 9    | 120-1694    | 2    | Valve-Proportional, NC | 18   | 117-4606    | 6    | O-Ring         |
| 9:1  | 105-9159    | 1    | Seal Kit               | 19   | 112-6534    | 4    | Ring-Back Up   |
| 10   | 110-8881    | 2    | Valve-Check            | 20   | 112-6532    | 4    | Ring-Retaining |
| 10:1 | 105-9159    | 1    | Seal Kit ●             | 21   | 112-6531    | 4    | Pin-Spring     |
| 11   | 125-8757    | 1    | Valve-Relief, 2500 PSI | 22   | 110-8758    | 2    | Handle-Spool   |
| 12   | 125-8758    | 1    | Valve-Relief           | 23   | 110-6344    | 2    | Coil-12V, DC   |
| 13   | 117-0108    | 2    | Spool-Rotary           | 24   | 110-2634    | 2    | Nut-Coil       |
| 13:1 | 117-0109    | 1    | Seal Kit               |      |             |      |                |

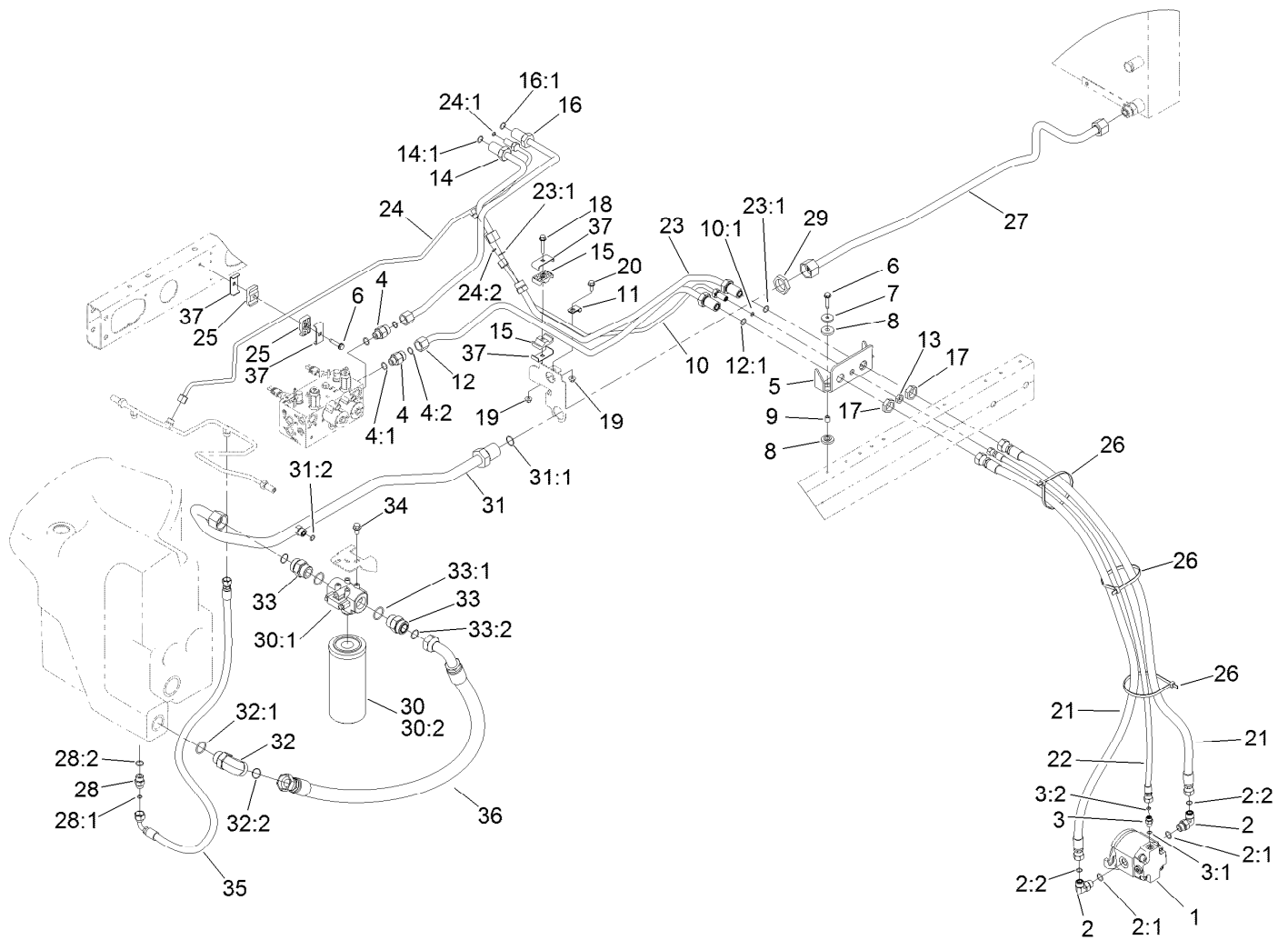
● Not illustrated





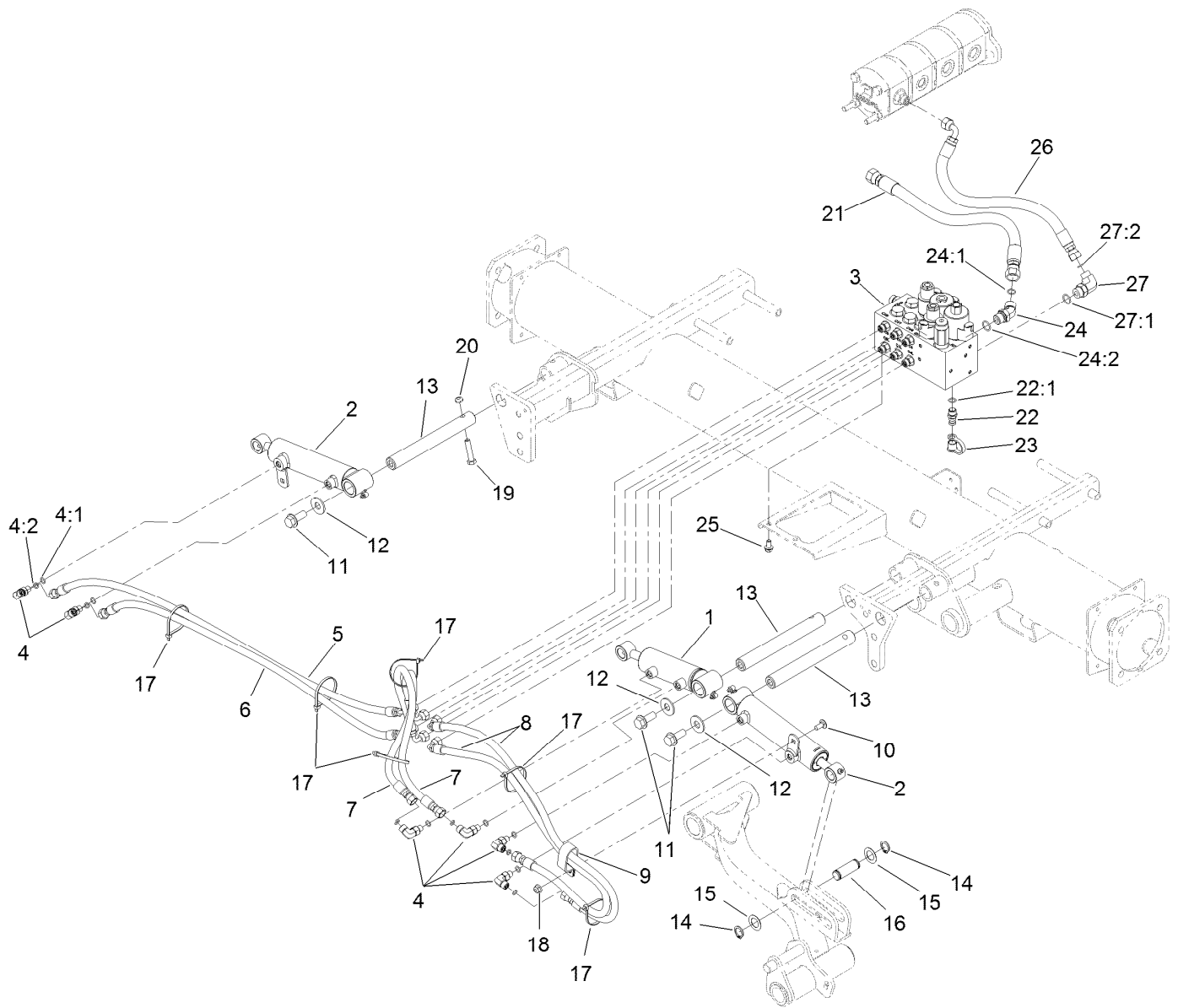
## No. 2 and 3 Reel Drive Hydraulic Assembly

| Ref. | Part Number | Qty. | Description           | Ref. | Part Number | Qty. | Description        |
|------|-------------|------|-----------------------|------|-------------|------|--------------------|
| 1    | 120-6272    | 2    | HYD Motor ASM         | 14   | 117-0140    | 1    | Tube ASM           |
| 2    | 340-98      | 4    | Fitting-Elbow, 90 DEG | 14:1 | 237-65      | 1    | O-Ring             |
| 2:1  | 237-79      | 1    | O-Ring                | 15   | 56-7971     | 2    | Clamp-Tube         |
| 2:2  | 237-30      | 1    | O-Ring                | 16   | 117-0141    | 1    | Tube ASM           |
| 3    | 340-92      | 2    | Fitting-Straight      | 16:1 | 237-65      | 1    | O-Ring             |
| 3:1  | 237-78      | 1    | O-Ring                | 17   | 340-74      | 4    | Nut-Lock, Bulkhead |
| 3:2  | 237-21      | 1    | O-Ring                | 18   | 115-1794    | 1    | Screw-HHF          |
| 4    | 340-155     | 2    | Fitting-Straight      | 19   | 104-8300    | 2    | Nut-HF, NI         |
| 4:1  | 237-79      | 1    | O-Ring                | 20   | 3234-5      | 1    | Screw-HHF          |
| 4:2  | 237-151     | 1    | O-Ring                | 21   | 114-0633    | 4    | Hose-HYD           |
| 5    | 117-0174-03 | 2    | Bracket-Bulkhead      | 22   | 98-4590     | 2    | Hose-HYD           |
| 6    | 32144-57    | 5    | Screw                 | 23   | 120-3775    | 1    | HYD Tube ASM       |
| 7    | 105-3048    | 4    | Washer-Flat           | 23:1 | 237-65      | 2    | O-Ring             |
| 8    | 240-11      | 8    | Bushing-Flange        | 24   | 120-3811    | 1    | HYD Tube ASM       |
| 9    | 99-8611     | 4    | Spacer                | 24:1 | 237-21      | 1    | O-Ring             |
| 10   | 120-3772    | 1    | HYD Tube ASM          | 24:2 | 237-22      | 1    | O-Ring             |
| 10:1 | 237-21      | 1    | O-Ring                | 25   | 56-7972     | 2    | Clamp-Tube         |
| 11   | 2412-113    | 1    | Clamp-R               | 26   | 3334-945    | 6    | Tie-Cable          |
| 12   | 120-3774    | 1    | HYD Tube ASM          | 27   | 121-5600    | 1    | HYD Tube ASM       |
| 12:1 | 237-65      | 1    | O-Ring                | 28   | 340-3       | 1    | Fitting-Straight   |
| 13   | 340-78      | 2    | Nut-Lock              | 28:1 | 237-22      | 1    | O-Ring             |



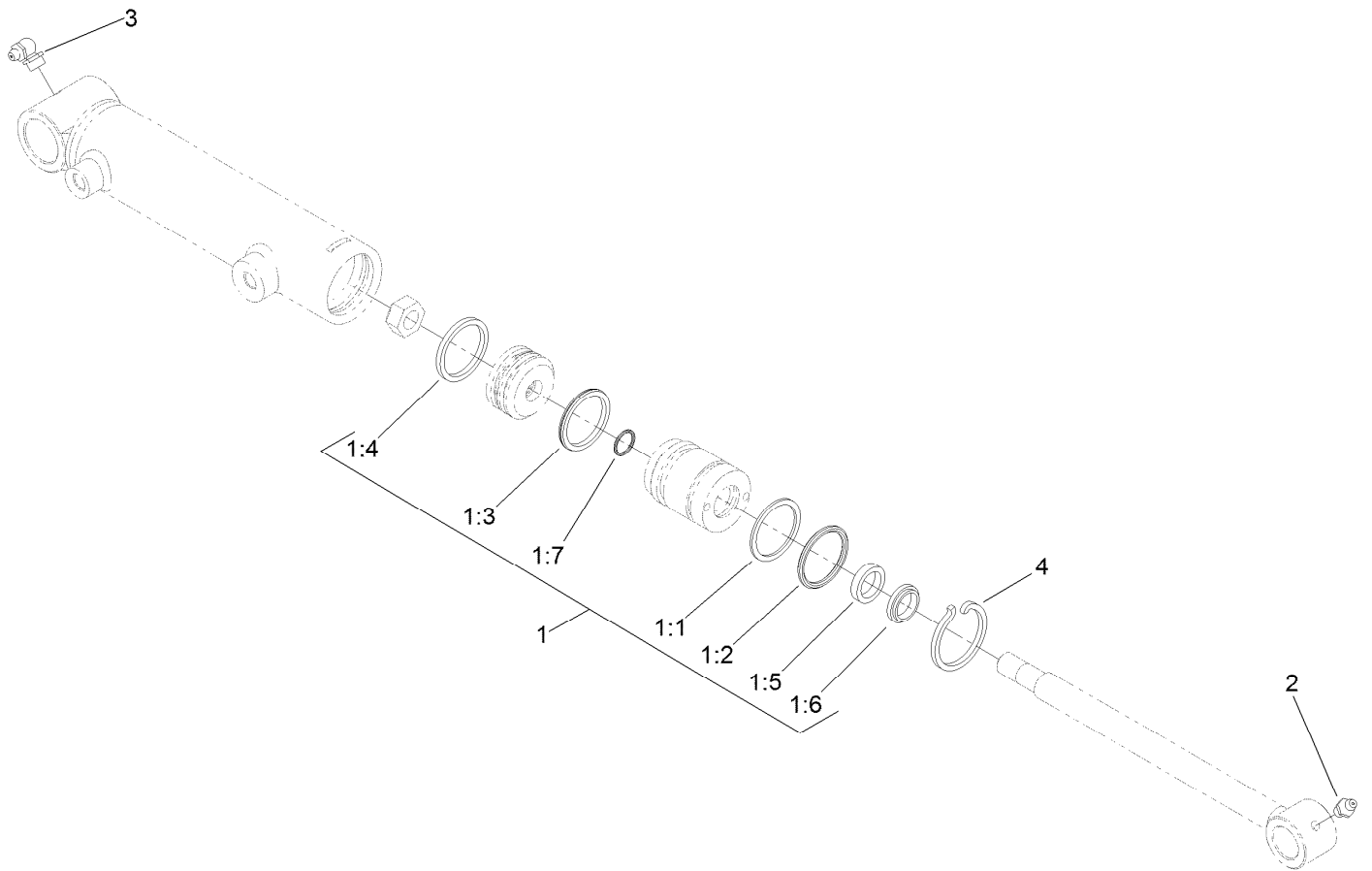
## No. 2 and 3 Reel Drive Hydraulic Assembly (continued)

| <i>Ref.</i> | <i>Part Number</i> | <i>Qty.</i> | <i>Description</i>    | <i>Ref.</i> | <i>Part Number</i> | <i>Qty.</i> | <i>Description</i> |
|-------------|--------------------|-------------|-----------------------|-------------|--------------------|-------------|--------------------|
| 28:2        | 237-79             | 1           | O-Ring                | 32:1        | 237-146            | 1           | O-Ring             |
| 29          | 340-128            | 1           | Nut-Bulkhead          | 32:2        | 340-65             | 1           | O-Ring             |
| 30          | 98-3923            | 1           | Oil Filter ASM        | 33          | 104-3797           | 2           | Fitting-Straight   |
| 30:1        | 104-0080           | 1           | Filter Head ASM       | 33:1        | 237-146            | 1           | O-Ring             |
| 30:2        | 94-2621            | 1           | Element-Filter        | 33:2        | 340-65             | 1           | O-Ring             |
| 31          | 108-1699           | 1           | Tube ASM              | 34          | 3234-1             | 2           | Screw-HHF          |
| 31:1        | 340-65             | 1           | O-Ring                | 35          | 66-8490            | 1           | Hose-HYD           |
| 31:2        | 237-30             | 1           | O-Ring                | 36          | 108-1689           | 1           | Hose-HYD           |
| 32          | 340-129            | 1           | Fitting-Elbow, 90 DEG | 37          | 119-1419           | 3           | Plate-Clamp        |



## No. 1, 4 and 5 Lift Arm Hydraulic Assembly

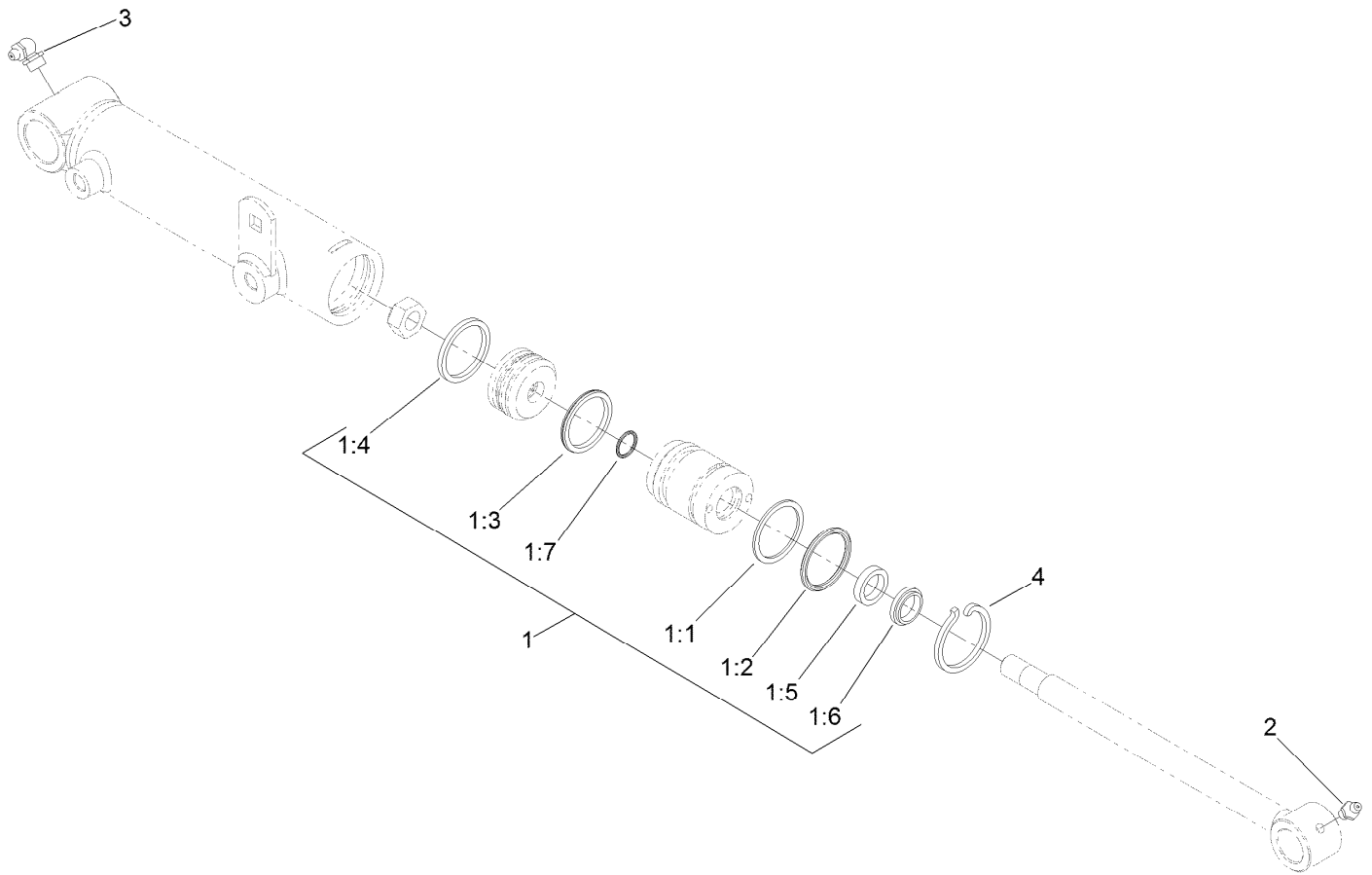
| Ref. | Part Number | Qty. | Description                 | Ref. | Part Number | Qty. | Description         |
|------|-------------|------|-----------------------------|------|-------------|------|---------------------|
| 1    | 119-6988    | 1    | HYD Cylinder ASM            | 16   | 104-0046    | 3    | Pin-Slide, Cylinder |
| 2    | 119-6987    | 2    | HYD Cylinder ASM            | 17   | 3290-379    | 6    | Tie-Cable           |
| 3    | 105-7577    | 1    | HYD Lift Block Manifold ASM | 18   | 104-8300    | 1    | Nut-HF, NI          |
| 4    | 340-132     | 6    | Fitting-Elbow, 90 DEG       | 19   | 323-9       | 3    | Screw-HH            |
| 4:1  | 237-78      | 1    | O-Ring                      | 20   | 3296-59     | 3    | Nut-Lock, NI        |
| 4:2  | 237-21      | 1    | O-Ring                      | 21   | 117-0180    | 1    | Hose-HYD            |
| 5    | 106-3692    | 1    | Hose-HYD                    | 22   | 59-7410     | 1    | Fitting-Diagnostic  |
| 6    | 106-3693    | 1    | Hose-HYD                    | 22:1 | 237-42      | 1    | O-Ring              |
| 7    | 93-6887     | 2    | Hose-HYD                    | 23   | 354-79      | 1    | Cap-Dust            |
| 8    | 85-4940     | 2    | Hose-HYD                    | 24   | 340-101     | 1    | Fitting-HYD, 45 DEG |
| 9    | 2412-137    | 1    | Clamp-R, Double             | 24:1 | 237-30      | 1    | O-Ring              |
| 10   | 3230-23     | 1    | Bolt-CARR                   | 24:2 | 237-79      | 1    | O-Ring              |
| 11   | 3234-38     | 3    | Screw-HHF                   | 25   | 3234-14     | 2    | Screw-HHF           |
| 12   | 3256-6      | 3    | Washer-Flat                 | 26   | 92-5694     | 1    | Hose-Hydraulic      |
| 13   | 117-0148    | 3    | Pin-Cylinder                | 27   | 340-18      | 1    | Fitting-HYD, 90 DEG |
| 14   | 32120-93    | 6    | Ring-Retaining              | 27:1 | 237-79      | 1    | O-Ring              |
| 15   | 3-6498      | 6    | Washer-Thrust               | 27:2 | 237-22      | 1    | O-Ring              |



## Hydraulic Cylinder Assembly No. 119-6988

| Ref. | Part Number | Qty. | Description    |
|------|-------------|------|----------------|
| 1    | 119-6992    | 1    | Seal Kit       |
| 1:1  |             | 1    | O-Ring ●       |
| 1:2  |             | 1    | Backup ●       |
| 1:3  |             | 1    | Bp Seal ●      |
| 1:4  |             | 1    | Wear Ring-Ht ● |
| 1:5  |             | 1    | Bs Seal ●      |
| 1:6  |             | 1    | Dust Seal-Dt ● |
| 1:7  |             | 1    | O-Ring ●       |
| 2    | 302-5       | 1    | Fitting-Grease |
| 3    | 302-33      | 1    | Fitting-Grease |
| 4    | 84-1680     | 1    | Ring-Retaining |

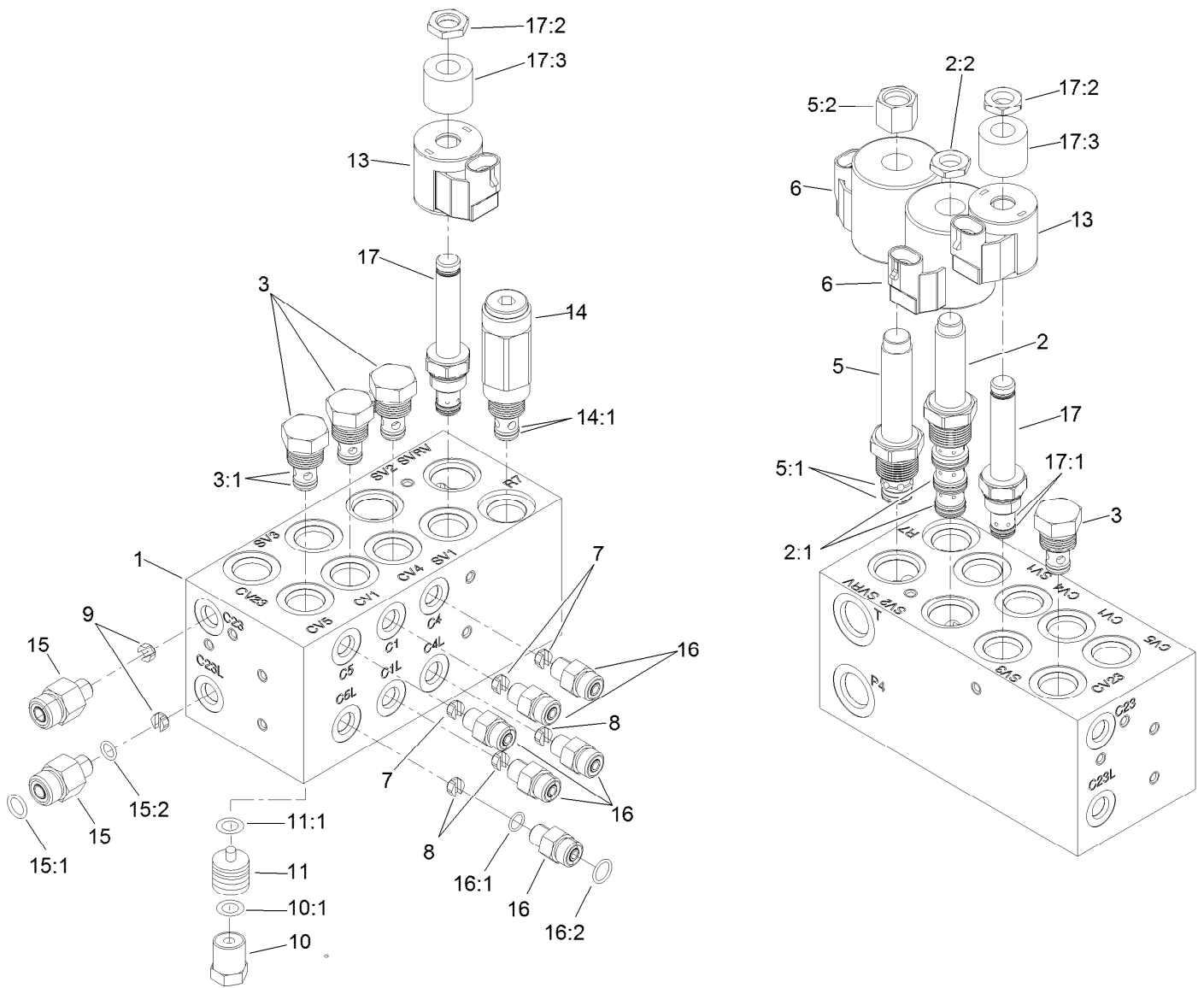
● Not serviced separately



## Hydraulic Cylinder Assembly No. 119-6987

| Ref. | Part Number | Qty. | Description    |
|------|-------------|------|----------------|
| 1    | 119-6992    | 1    | Seal Kit       |
| 1:1  |             | 1    | O-Ring ●       |
| 1:2  |             | 1    | Backup ●       |
| 1:3  |             | 1    | Bp Seal ●      |
| 1:4  |             | 1    | Wear Ring-Ht ● |
| 1:5  |             | 1    | Bs Seal ●      |
| 1:6  |             | 1    | Dust Seal-Dt ● |
| 1:7  |             | 1    | O-Ring ●       |
| 2    | 302-5       | 1    | Fitting-Grease |
| 3    | 302-33      | 1    | Fitting-Grease |
| 4    | 84-1680     | 1    | Ring-Retaining |

● Not serviced separately



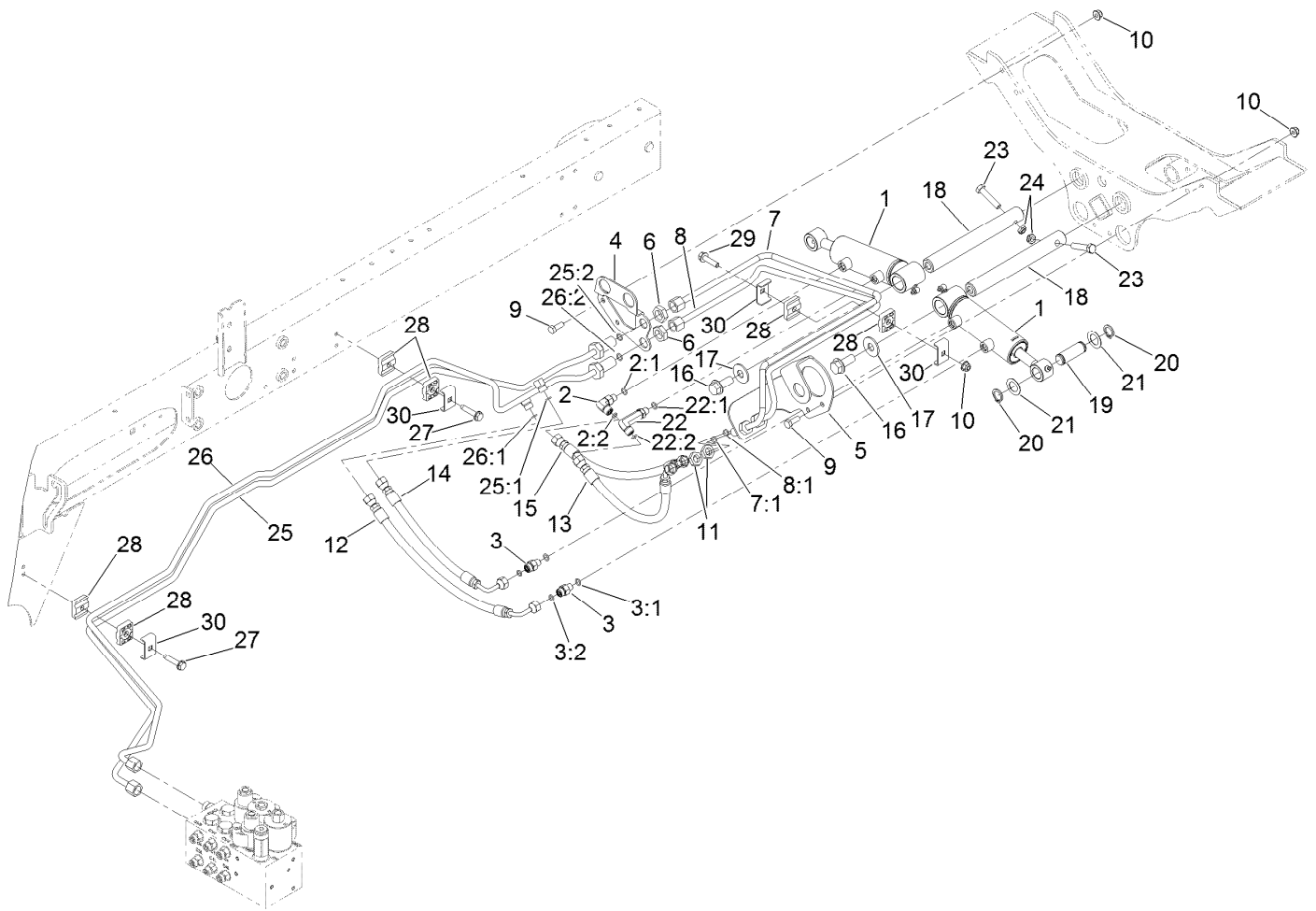
## Hydraulic Manifold Block Assembly No. 105-7577

| Ref. | Part Number | Qty. | Description                   |
|------|-------------|------|-------------------------------|
| 1    |             | 1    | Block-Manifold ■              |
| 2    | 110-8906    | 1    | Valve-Solenoid                |
| 2:1  | 110-8908    | 1    | Spool Valve Seal Kit          |
| 2:2  | 110-2634    | 1    | Nut-Coil                      |
| 3    | 110-9006    | 4    | Valve-Check                   |
| 3:1  | 105-9156    | 1    | Seal Kit                      |
| 5    | 110-8905    | 1    | Valve-Relief, Solenoid        |
| 5:1  | 110-6316    | 1    | Seal Kit                      |
| 5:2  | 130-8180    | 1    | Nut-Coil (9/16-24 Unef-2B)    |
| 6    | 110-6344    | 2    | Coil-12V, DC                  |
| 7    | 110-8904    | 3    | Orifice-Control, Flow (0.028) |
| 7    | 125-8849    | 3    | Orifice-Flow Control ●        |
| 8    | 110-8903    | 3    | Orifice-Control, Flow (0.055) |
| 9    | 110-8902    | 2    | Orifice-Control, Flow (0.046) |
| 10   | 354-70      | 4    | Plug-Hex, Hollow              |
| 10:1 | 237-80      | 1    | O-Ring                        |

| Ref. | Part Number | Qty. | Description      |
|------|-------------|------|------------------|
| 11   | 110-8901    | 4    | Piston-Pilot     |
| 11:1 | 110-8900    | 1    | O-Ring           |
| 13   | 110-0497    | 2    | Coil-Solenoid    |
| 14   | 110-8899    | 1    | Valve-Relief     |
| 14:1 | 105-9156    | 1    | Seal Kit         |
| 15   | 340-88      | 2    | Fitting-Straight |
| 15:1 | 237-22      | 1    | O-Ring           |
| 15:2 | 237-78      | 1    | O-Ring           |
| 16   | 340-92      | 6    | Fitting-Straight |
| 16:1 | 237-78      | 1    | O-Ring           |
| 16:2 | 237-21      | 1    | O-Ring           |
| 17   | 110-8898    | 2    | Valve-Solenoid   |
| 17:1 | 107-7527    | 1    | Seal Kit         |
| 17:2 | 110-2634    | 1    | Nut-Coil         |
| 17:3 | 110-8909    | 1    | Spacer-Coil      |

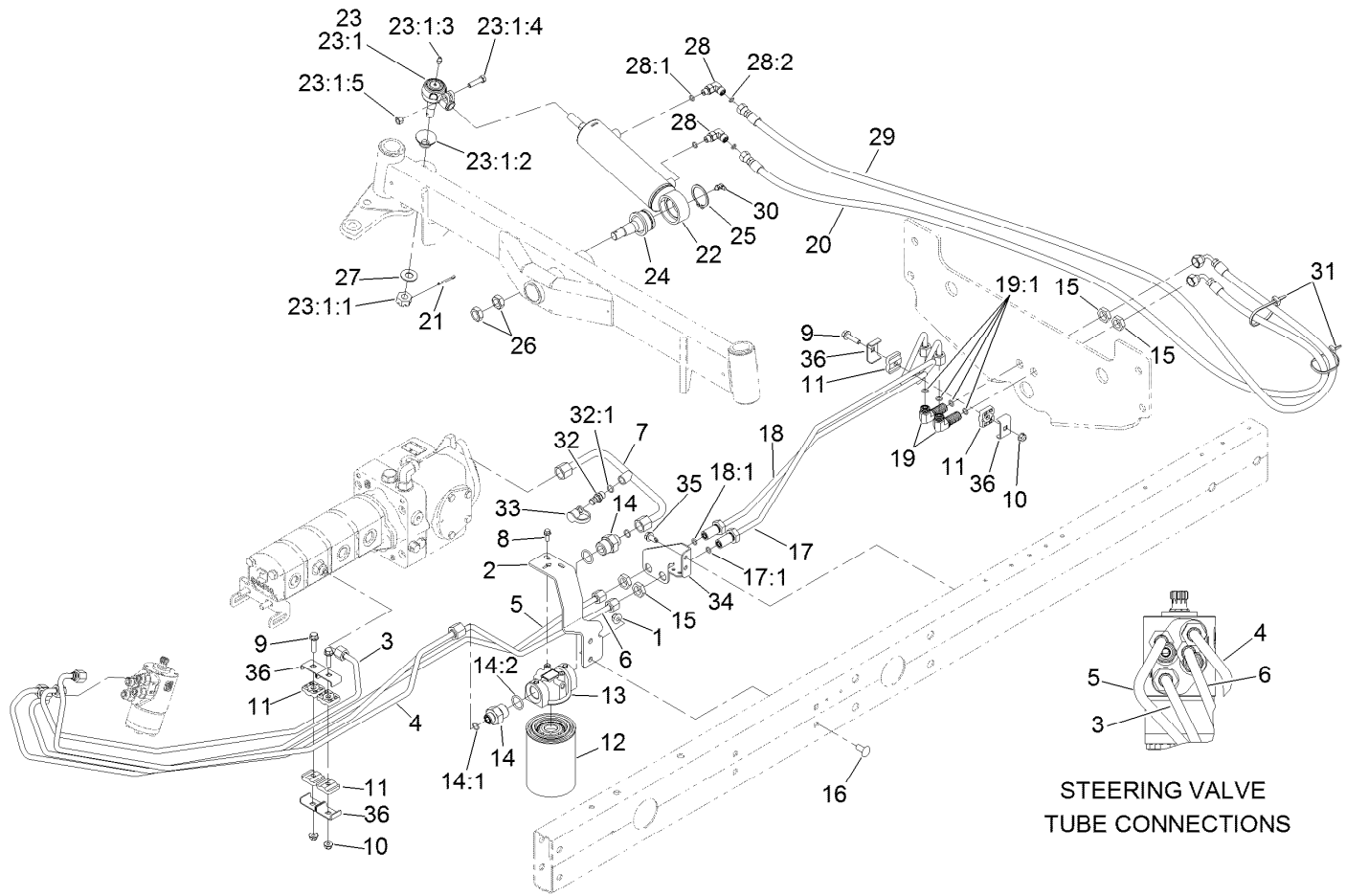
● Optional Equipment

■ Not serviced separately



## Rear Lift Hydraulic Assembly

| Ref. | Part Number | Qty. | Description           | Ref. | Part Number | Qty. | Description         |
|------|-------------|------|-----------------------|------|-------------|------|---------------------|
| 1    | 119-6988    | 2    | HYD Cylinder ASM      | 16   | 3234-38     | 2    | Screw-HHF           |
| 2    | 340-132     | 1    | Fitting-Elbow, 90 DEG | 17   | 3256-6      | 2    | Washer-Flat         |
| 2:1  | 237-78      | 1    | O-Ring                | 18   | 117-0148    | 2    | Pin-Cylinder        |
| 2:2  | 237-21      | 1    | O-Ring                | 19   | 104-0046    | 2    | Pin-Slide, Cylinder |
| 3    | 340-92      | 2    | Fitting-Straight      | 20   | 32120-93    | 4    | Ring-Retaining      |
| 3:1  | 237-78      | 1    | O-Ring                | 21   | 3-6498      | 4    | Washer-Thrust       |
| 3:2  | 237-21      | 1    | O-Ring                | 22   | 100-7695    | 1    | Fitting-Elbow 90    |
| 4    | 120-3782-01 | 1    | Bracket-Bulkhead, RH  | 22:1 | 237-78      | 1    | O-Ring              |
| 5    | 110-0917-01 | 1    | Bracket-Bulkhead, LH  | 22:2 | 237-21      | 1    | O-Ring              |
| 6    | 340-70      | 2    | Nut-Lock              | 23   | 323-9       | 2    | Screw-HH            |
| 7    | 120-3767    | 1    | HYD Tube ASM          | 24   | 3296-59     | 2    | Nut-Lock, NI        |
| 7:1  | 237-21      | 1    | O-Ring                | 25   | 120-3766    | 1    | HYD Tube ASM        |
| 8    | 110-9018    | 1    | Tube-HYD              | 25:1 | 237-21      | 1    | O-Ring              |
| 8:1  | 237-21      | 1    | O-Ring                | 25:2 | 237-22      | 1    | O-Ring              |
| 9    | 322-4       | 4    | Screw-HH              | 26   | 120-3771    | 1    | HYD Tube ASM        |
| 10   | 104-8300    | 5    | Nut-HF, NI            | 26:1 | 237-21      | 1    | O-Ring              |
| 11   | 340-78      | 2    | Nut-Lock              | 26:2 | 237-22      | 1    | O-Ring              |
| 12   | 110-0930    | 1    | Hose-HYD              | 27   | 32144-57    | 2    | Screw               |
| 13   | 110-8966    | 1    | Hose-HYD              | 28   | 56-7973     | 6    | Clamp-Tube          |
| 14   | 110-0929    | 1    | Hose-HYD              | 29   | 3234-36     | 1    | Screw-HHF           |
| 15   | 110-0931    | 1    | Hose-HYD              | 30   | 119-1418    | 4    | Plate-Clamp, Short  |

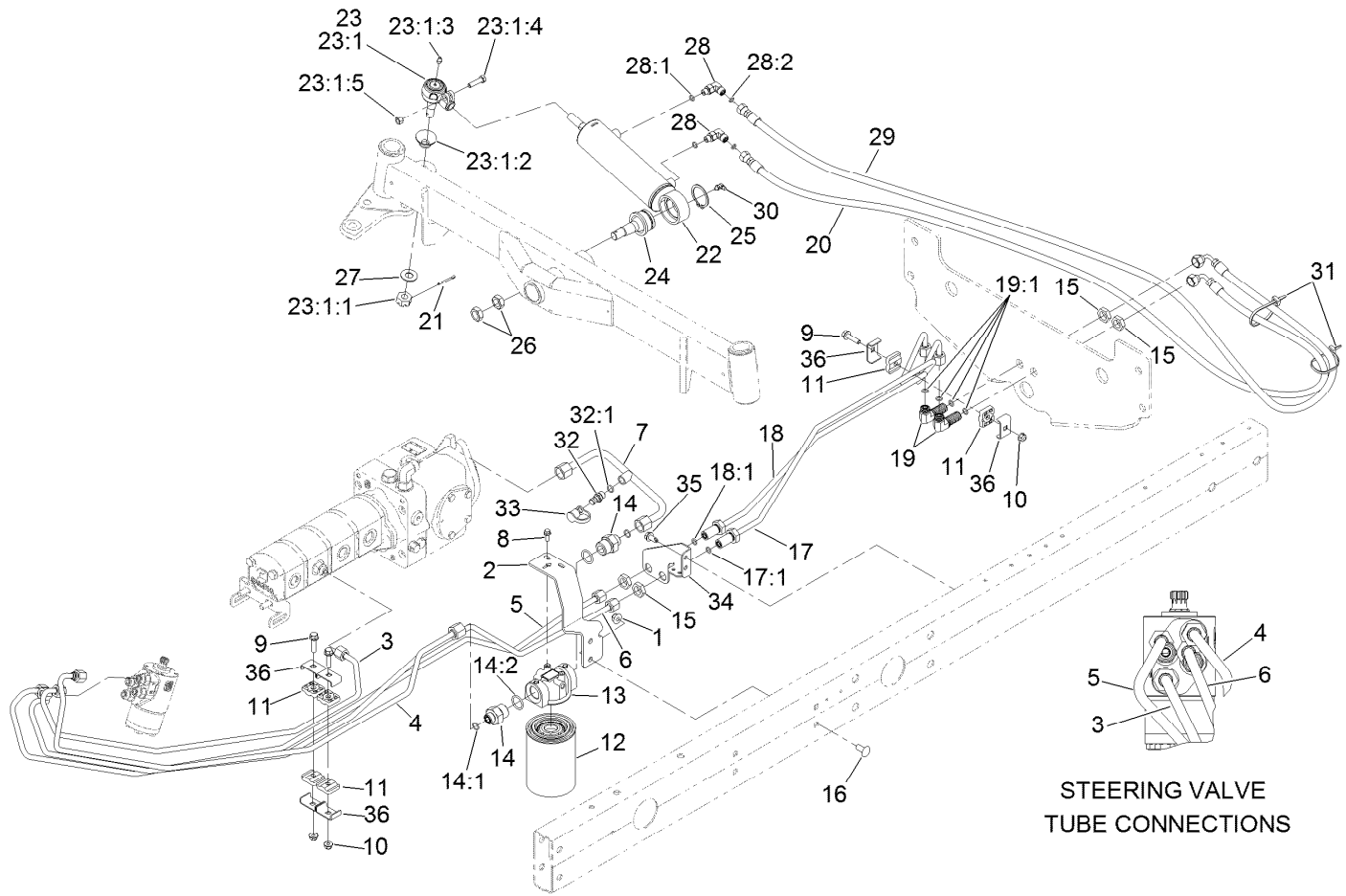


## Steering Hydraulic Assembly

| Ref. | Part Number | Qty. | Description         | Ref.   | Part Number | Qty. | Description              |
|------|-------------|------|---------------------|--------|-------------|------|--------------------------|
| 1    | 104-8301    | 2    | Nut-HF, NI          | 17     | 120-3763    | 1    | HYD Tube ASM             |
| 2    | 110-0906-01 | 1    | Support-Filter, Oil | 17:1   | 237-22      | 1    | O-Ring                   |
| 3    | 108-1710    | 1    | Tube ASM            | 18     | 121-5586    | 1    | HYD Tube ASM             |
| 4    | 108-1711    | 1    | Tube-HYD            | 18:1   | 237-22      | 1    | O-Ring                   |
| 5    | 120-3764    | 1    | Tube-HYD            | 19     | 340-154     | 2    | Union-Bulkhead           |
| 6    | 120-3765    | 1    | Tube-HYD            | 19:1   | 237-22      | 2    | O-Ring                   |
| 7    | 121-5601    | 1    | Tube-HYD            | 20     | 110-0928    | 1    | Hose-HYD                 |
| 8    | 3234-33     | 2    | Screw-HHF           | 21     | 3272-12     | 1    | Pin-Cotter               |
| 9    | 3234-36     | 3    | Screw-HHF           | 22     | 110-9035    | 1    | HYD Cylinder ASM         |
| 10   | 104-8300    | 3    | Nut-HF, NI          | 23     | 106-6895-03 | 1    | Ball Joint ASM           |
| 11   | 56-7973     | 6    | Clamp-Tube          | 23:1   |             | 1    | Joint-Ball ●             |
| 12   | 86-3010     | 1    | Filter-Oil          | 23:1:1 | 32136-13    | 1    | Nut-SHH                  |
| 13   | 117-5820    | 1    | Head-Filter         | 23:1:2 | 106-6896    | 1    | Seal                     |
| 14   | 100-4240    | 2    | Fitting-STR         | 23:1:3 | 302-5       | 1    | Fitting-Grease           |
| 14:1 | 237-30      | 1    | O-Ring              | 23:1:4 | 3210-7      | 1    | Screw-HH                 |
| 14:2 | 237-81      | 1    | O-Ring              | 23:1:5 | 32152-5     | 1    | Nut-Hex                  |
| 15   | 340-70      | 4    | Nut-Lock            | 24     | 106-6774    | 1    | Joint-Ball               |
| 16   | 3231-27     | 2    | Screw-CARR          | 25     | 32151-104   | 1    | Ring-Retaining, External |

● Not serviced separately

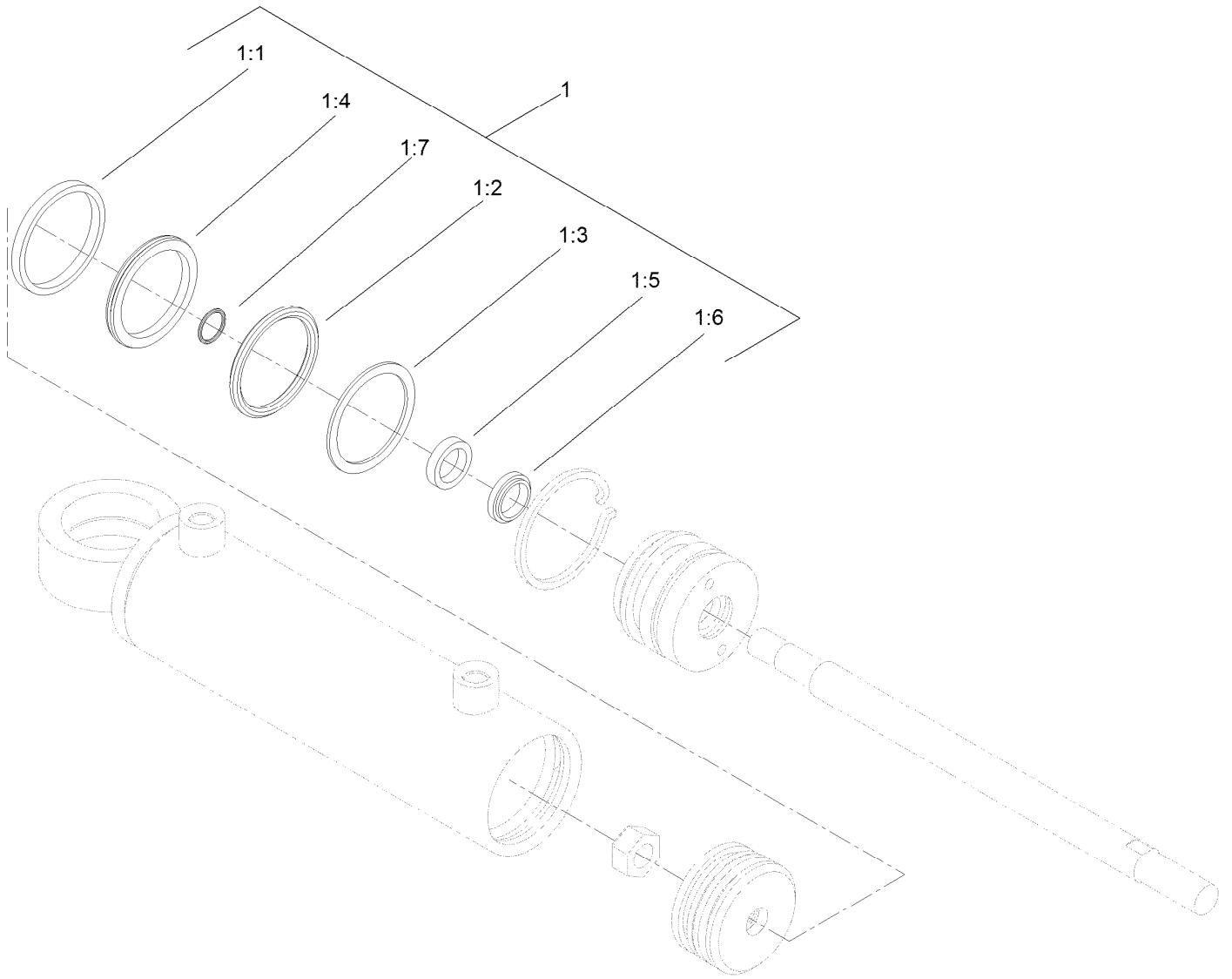




## Steering Hydraulic Assembly (continued)

| <i>Ref.</i> | <i>Part Number</i> | <i>Qty.</i> | <i>Description</i>     | <i>Ref.</i> | <i>Part Number</i> | <i>Qty.</i> | <i>Description</i>     |
|-------------|--------------------|-------------|------------------------|-------------|--------------------|-------------|------------------------|
| 26          | 3220-6             | 2           | Nut-Jam                | 31          | 3290-378           | 2           | Tie-Cable              |
| 27          | 69-8980            | 1           | Washer                 | 32          | 59-7410            | 1           | Fitting-Diagnostic     |
| 28          | 340-132            | 2           | Fitting-Elbow, 90 DEG  | 32:1        | 237-42             | 1           | O-Ring                 |
| 28:1        | 237-78             | 1           | O-Ring                 | 33          | 354-79             | 1           | Cap-Dust               |
| 28:2        | 237-21             | 1           | O-Ring                 | 34          | 120-3781-01        | 1           | Bracket-Bulhead, Steer |
| 29          | 110-0973           | 1           | Hose-HYD               | 35          | 32104-32           | 2           | Screw-HWH              |
| 30          | 302-40             | 1           | Fitting-Grease, 90 DEG | 36          | 119-1418           | 6           | Plate-Clamp, Short     |

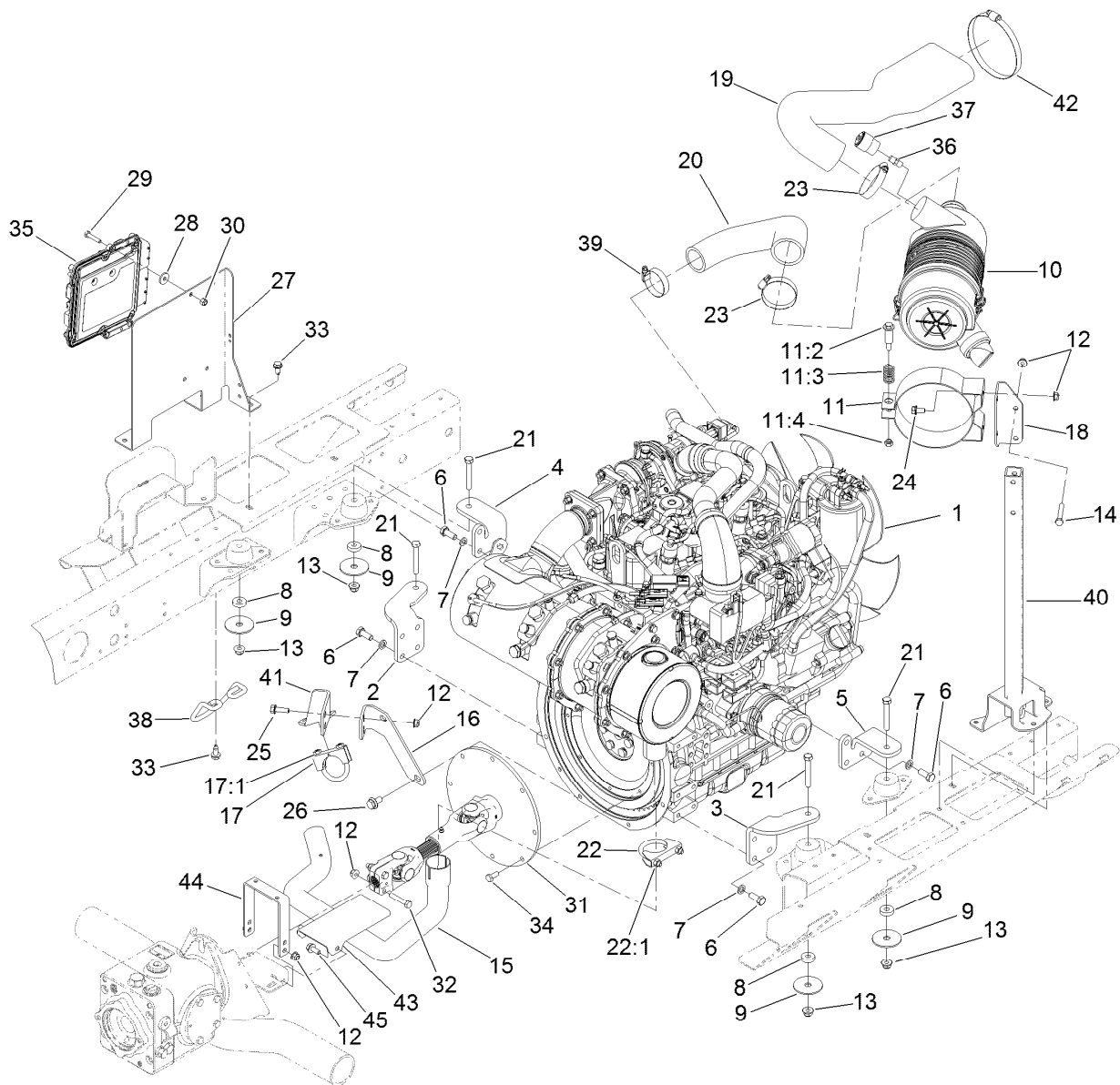
● Not serviced separately



## Hydraulic Cylinder Assembly No. 110-9035

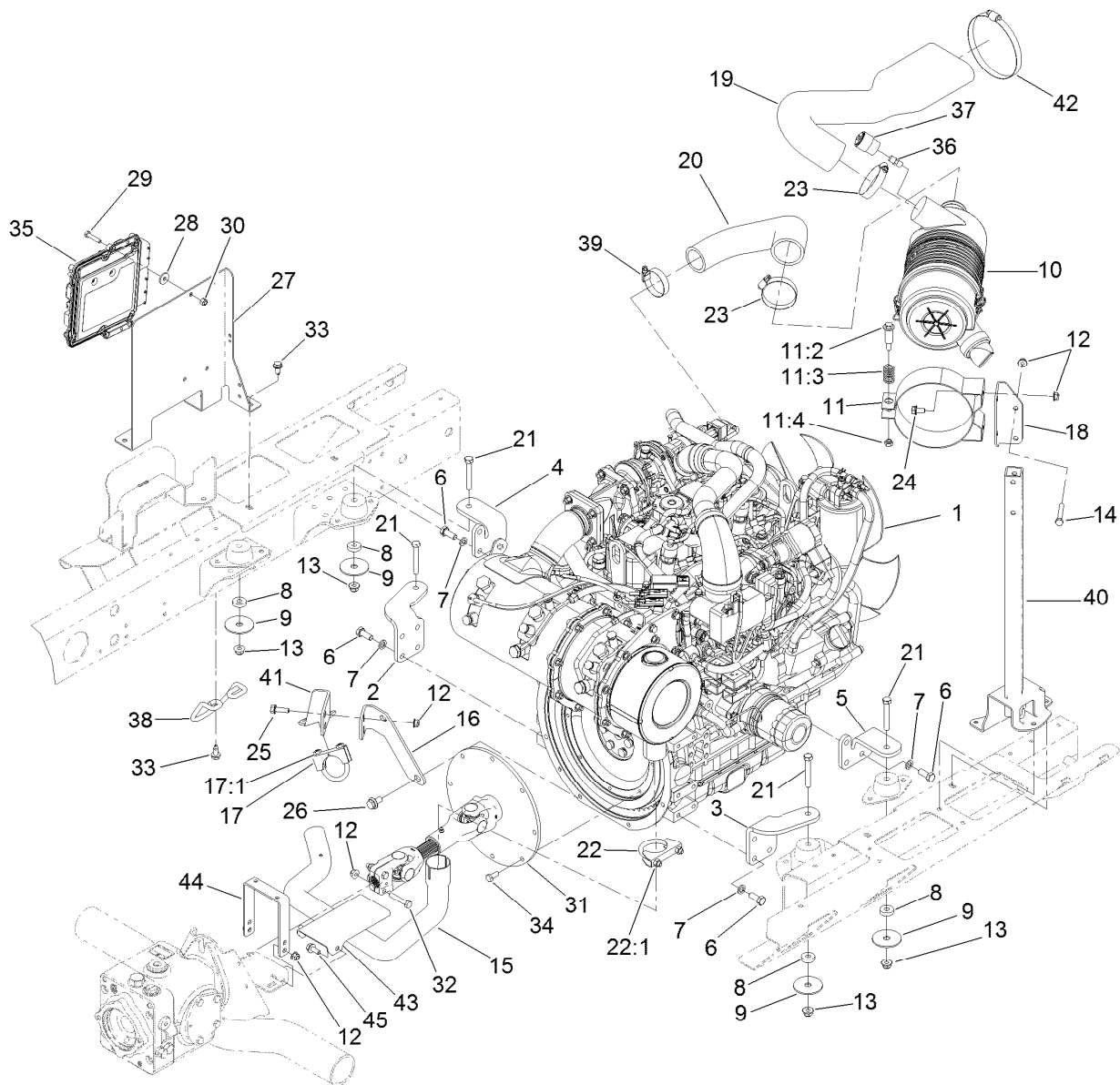
| <i>Ref.</i> | <i>Part Number</i> | <i>Qty.</i> | <i>Description</i> |
|-------------|--------------------|-------------|--------------------|
| 1           | 114-8875           | 1           | Seal Kit           |
| 1:1         |                    | 1           | Wear Ring ●        |
| 1:2         |                    | 1           | O-Ring ●           |
| 1:3         |                    | 1           | Backup ●           |
| 1:4         |                    | 1           | Bp Seal ●          |
| 1:5         |                    | 1           | Bs Seal ●          |
| 1:6         |                    | 1           | Dust Seal ●        |
| 1:7         |                    | 1           | O-Ring ●           |

● Not serviced separately



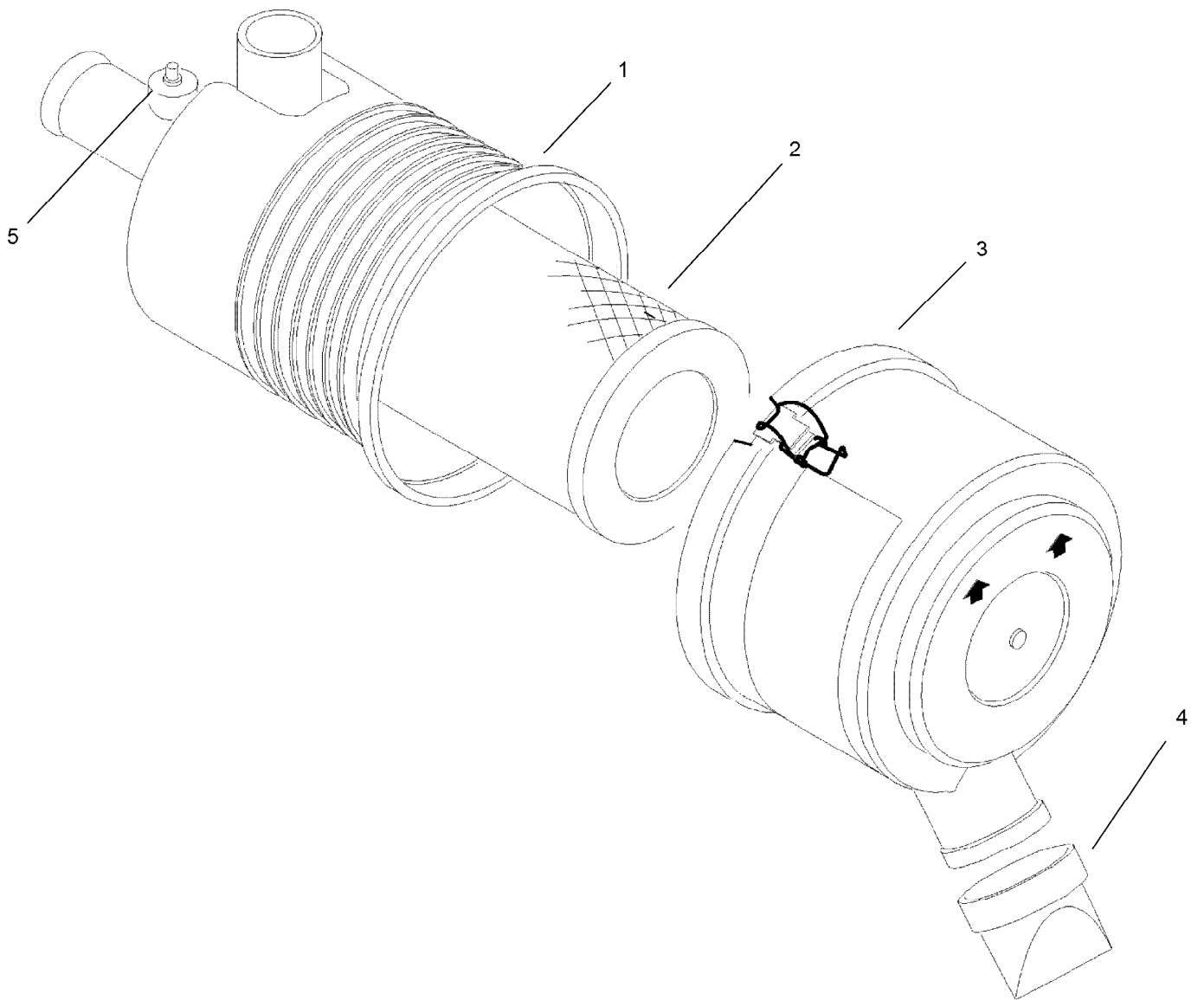
## Engine, Muffler and Air Cleaner Assembly

| Ref. | Part Number | Qty. | Description                 | Ref. | Part Number | Qty. | Description             |
|------|-------------|------|-----------------------------|------|-------------|------|-------------------------|
| 1    | 120-3797    | 1    | Engine-Yanmar, 3Tnv86Ct-Dtr | 17:1 | 32128-20    | 2    | Nut-HF                  |
| 2    | 120-3777-03 | 1    | Mount-Engine, Right Front   | 18   | 120-6298-03 | 1    | Bracket-Aircleaner      |
| 3    | 120-3778-03 | 1    | Mount-Engine, Left Front    | 19   | 121-5559    | 1    | Hose-Air Cleaner        |
| 4    | 120-3779-03 | 1    | Mount-Engine, Right Rear    | 20   | 121-5560    | 1    | Hose-Air Cleaner        |
| 5    | 120-3780-03 | 1    | Mount-Engine, Left Rear     | 21   | 323-12      | 4    | Screw-HH                |
| 6    | 33115-025   | 14   | Screw-HH                    | 22   | 2112-6      | 1    | Clamp-Muffler           |
| 7    | 48-9590     | 14   | Washer-Lock                 | 22:1 | 3218-2      | 2    | Nut-Hex Jam             |
| 8    | 62-6660     | 4    | Spacer                      | 23   | 2412-125    | 2    | Clamp-Hose              |
| 9    | 87-5100     | 4    | Washer-Snubbing             | 24   | 3234-14     | 2    | Screw-HHF               |
| 10   | 98-4517     | 1    | Air Cleaner ASM             | 25   | 3234-29     | 4    | Screw-HHF               |
| 11   | 100-4825    | 1    | Band-Mounting, Air Cleaner  | 26   | 33105-020   | 2    | Screw-HHF               |
| 11:2 | 94-3653     | 1    | Bolt                        | 27   | 127-2712-03 | 1    | Bracket-Ecu             |
| 11:3 | 94-3654     | 1    | Spring                      | 28   | 66-2921     | 4    | Washer-Friction         |
| 11:4 | 48-9510     | 1    | Nut                         | 29   | 321-8       | 4    | Screw-HH                |
| 12   | 104-8300    | 12   | Nut-HF, NI                  | 30   | 3296-42     | 4    | Nut-Lock, NI            |
| 13   | 104-8301    | 4    | Nut-HF, NI                  | 31   | 120-3756    | 1    | Driveshaft ASM          |
| 14   | 322-10      | 2    | Screw-HH                    | 32   | 322-9       | 2    | Screw-HH                |
| 15   | 127-2616    | 1    | Tube-Exhaust                | 33   | 32104-32    | 3    | Screw-HWH               |
| 16   | 125-8763-03 | 1    | Bracket-Tailpipe            | 34   | 33114-020   | 8    | Screw-HH                |
| 17   | 2112-9      | 1    | Clamp                       | 35   | 121-5592    | 1    | Electronic Control Unit |
|      |             |      |                             | 36   | 94-1416     | 1    | Adapter-Indicator       |



## Engine, Muffler and Air Cleaner Assembly (continued)

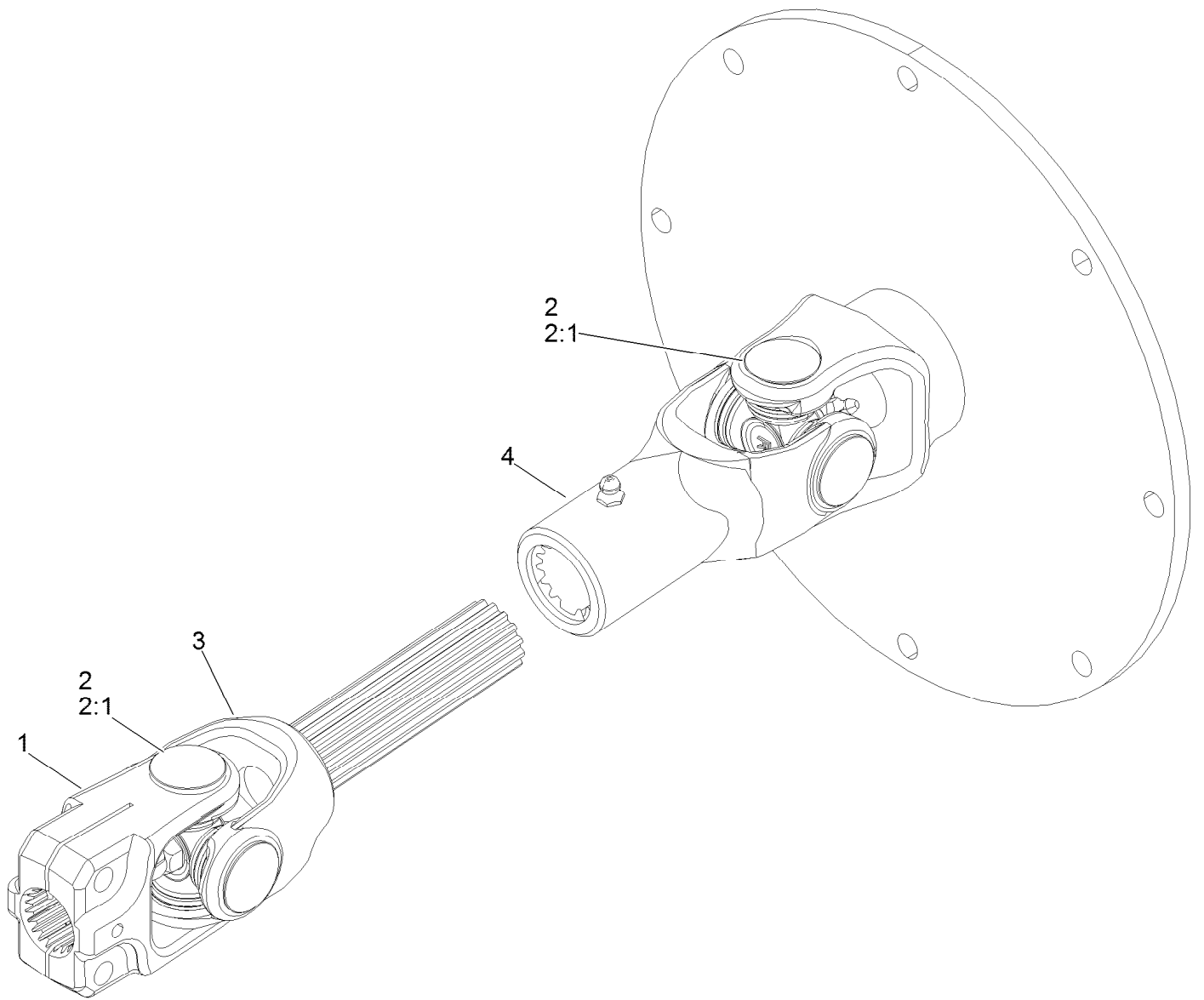
| <i>Ref.</i> | <i>Part Number</i> | <i>Qty.</i> | <i>Description</i> | <i>Ref.</i> | <i>Part Number</i> | <i>Qty.</i> | <i>Description</i> |
|-------------|--------------------|-------------|--------------------|-------------|--------------------|-------------|--------------------|
| 37          | 93-9164            | 1           | Indicator-Mini     | 42          | 2412-140           | 1           | Clamp-Hose         |
| 38          | 127-2612           | 1           | Guard-Pipe, Tail   | 43          | 125-8766-03        | 1           | Shield-Heat        |
| 39          | 2412-3             | 1           | Clamp-Hose         | 44          | 108-1799-03        | 1           | Hoop-Guard         |
| 40          | 120-2949-03        | 1           | Stand              | 45          | 3234-5             | 2           | Screw-HHF          |
| 41          | 125-8764-03        | 1           | Bracket-Tailpipe   |             |                    |             |                    |



## Air Cleaner Assembly No. 98-4517

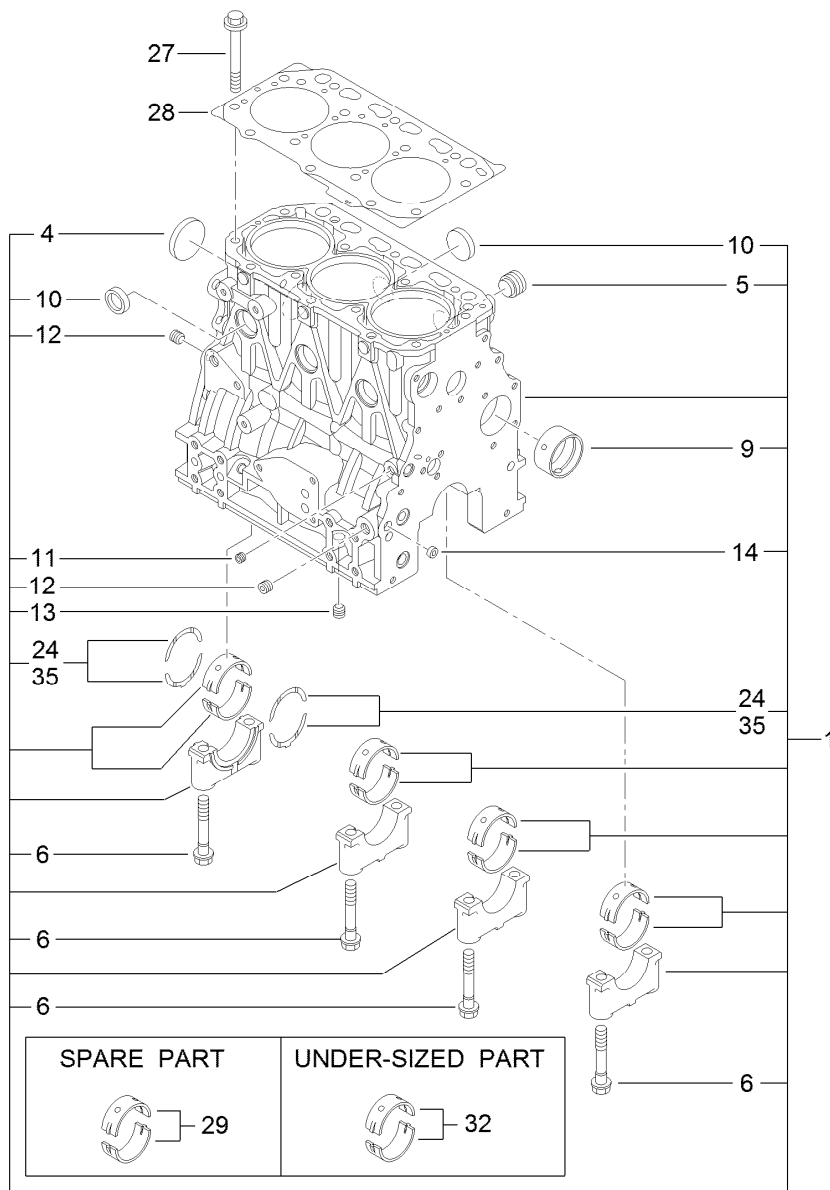
| <i>Ref.</i> | <i>Part Number</i> | <i>Qty.</i> | <i>Description</i> |
|-------------|--------------------|-------------|--------------------|
| 1           |                    | 1           | Body ASM ●         |
| 2           | 108-3810           | 1           | Filter-Air         |
| 3           | 98-9771            | 1           | Cover ASM          |
| 4           | 87-9400            | 1           | Valve-Vacuator     |
| 5           |                    | 1           | Plug ●             |

● Not serviced separately



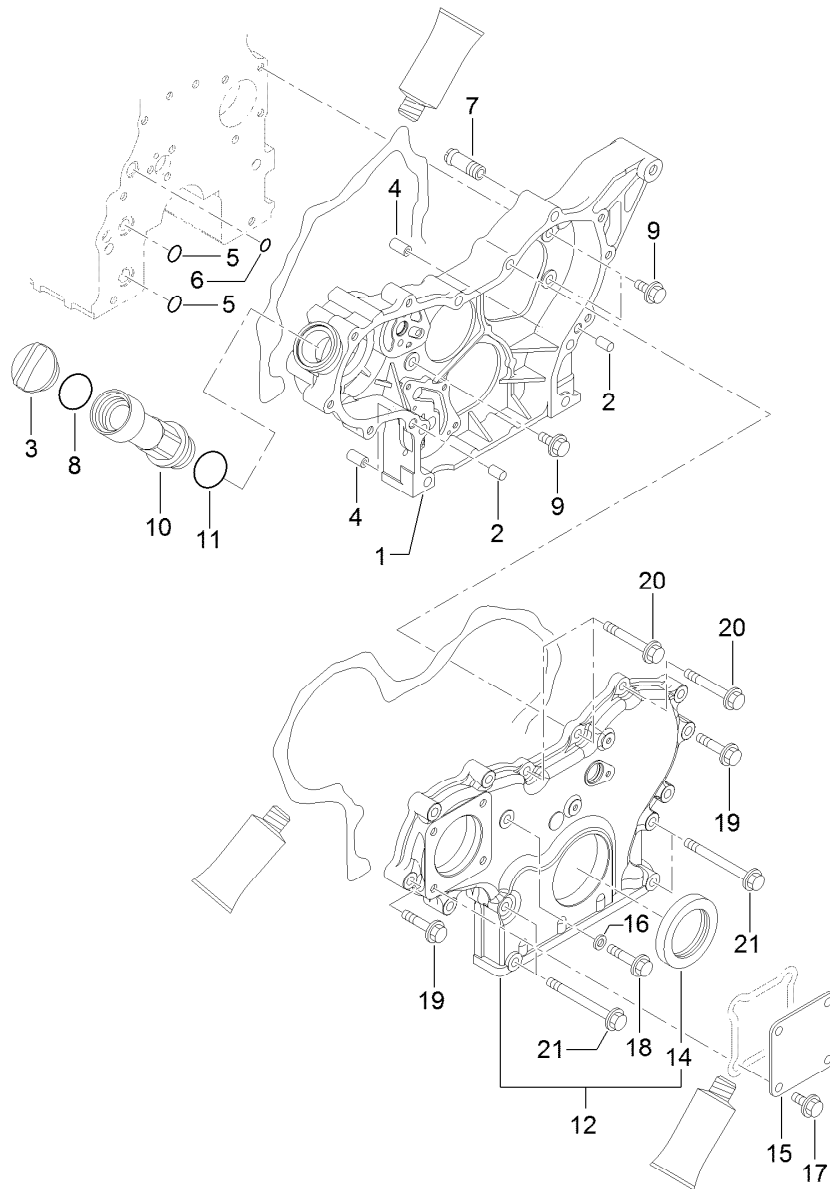
## Drive Shaft Assembly No. 120-3756

| <i>Ref.</i> | <i>Part Number</i> | <i>Qty.</i> | <i>Description</i>  |
|-------------|--------------------|-------------|---------------------|
| 1           | 54-9040            | 1           | Yoke-End            |
| 2           | 54-9180            | 2           | U-Joint Kit         |
| 2:1         | 62-3820            | 1           | Fitting-Grease      |
| 3           | 125-8768           | 1           | Joint And Shaft ASM |
| 4           | 125-8769           | 1           | Joint And Yoke ASM  |



## Cylinder Block Assembly

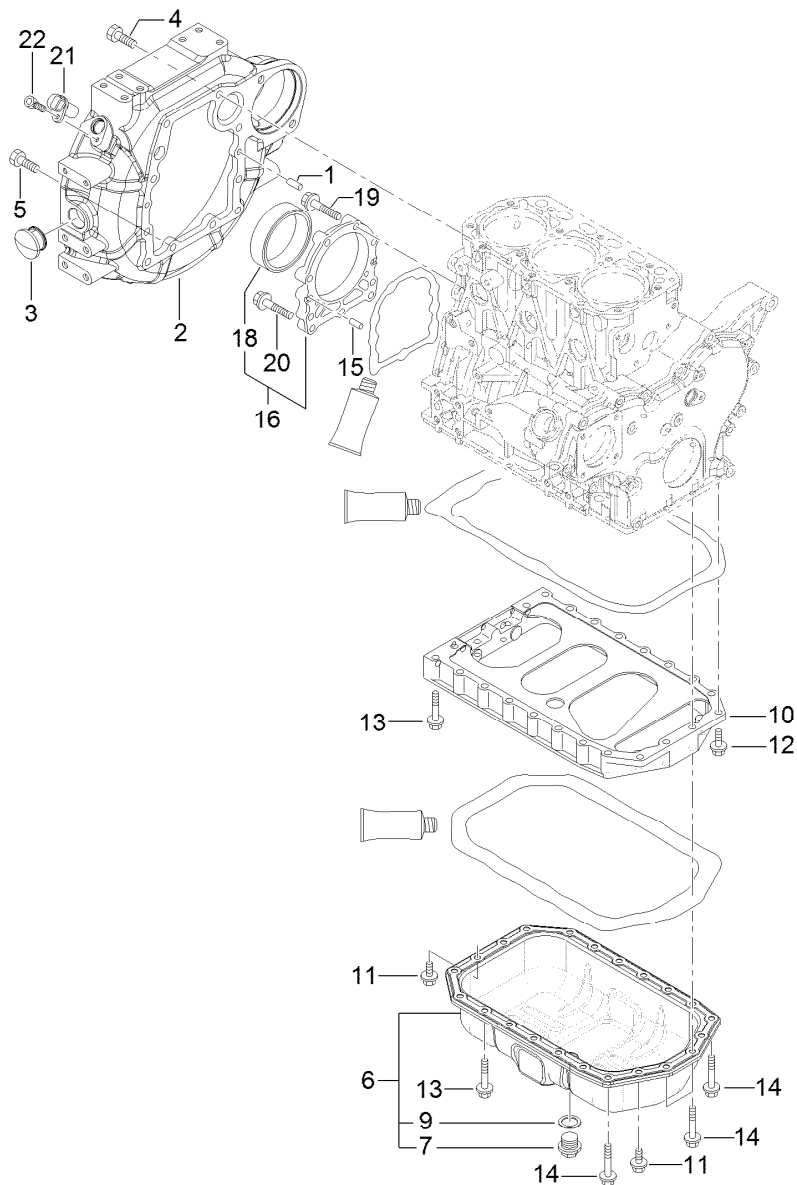
| <i>Ref.</i> | <i>Part Number</i> | <i>Qty.</i> | <i>Description</i> | <i>Ref.</i> | <i>Part Number</i> | <i>Qty.</i> | <i>Description</i>  |
|-------------|--------------------|-------------|--------------------|-------------|--------------------|-------------|---------------------|
| 1           | 127-3750           | 1           | Cylinder Block ASM | 13          | 125-6973           | 1           | Plug                |
| 4           | 125-6980           | 1           | Plug               | 14          | 125-7237           | 1           | Plug                |
| 5           | 125-7170           | 1           | Plug               | 24          | 125-7010           | 2           | Metal-Thrust        |
| 6           | 125-7007           | 8           | Bolt               | 27          | 125-7006           | 14          | Bolt                |
| 9           | 125-7108           | 1           | Bushing            | 28          | 127-3751           | 1           | Head Gasket ASM     |
| 10          | 125-7239           | 6           | Plug               | 29          | 125-6981           | 4           | Metal-Main          |
| 11          | 125-6969           | 1           | Plug               | 32          | 125-7009           | 4           | Metal-Main (0.25)   |
| 12          | 125-6973           | 2           | Plug               | 35          | 125-7011           | 1           | Metal-Thrust (0.25) |



## Gear Housing Assembly

| <i>Ref.</i> | <i>Part Number</i> | <i>Qty.</i> | <i>Description</i> | <i>Ref.</i> | <i>Part Number</i> | <i>Qty.</i> | <i>Description</i> |
|-------------|--------------------|-------------|--------------------|-------------|--------------------|-------------|--------------------|
| 1           | 127-3752           | 1           | Case-Gear          | 11          | 125-7197           | 1           | O-Ring             |
| 2           | 125-6995           | 2           | Pin                | 12          | 127-3024           | 1           | Gearcase Cover ASM |
| 3           | 125-6972           | 1           | Cover-Filler       | 14          | 125-6944           | 1           | Seal-Oil           |
| 4           | 125-7107           | 2           | Pipe               | 15          | 125-6977           | 1           | Cover              |
| 5           | 125-6909           | 2           | O-Ring             | 16          | 125-7174           | 1           | Washer-Seal        |
| 6           | 127-2973           | 1           | O-Ring             | 17          | 125-7214           | 4           | Bolt               |
| 7           | 127-3753           | 1           | Joint              | 18          | 125-7217           | 1           | Bolt               |
| 8           | 125-7197           | 1           | O-Ring             | 19          | 125-7218           | 7           | Bolt               |
| 9           | 125-7214           | 3           | Bolt               | 20          | 125-7222           | 3           | Bolt               |
| 10          | 127-3754           | 1           | Pipe               | 21          | 125-7224           | 4           | Bolt               |



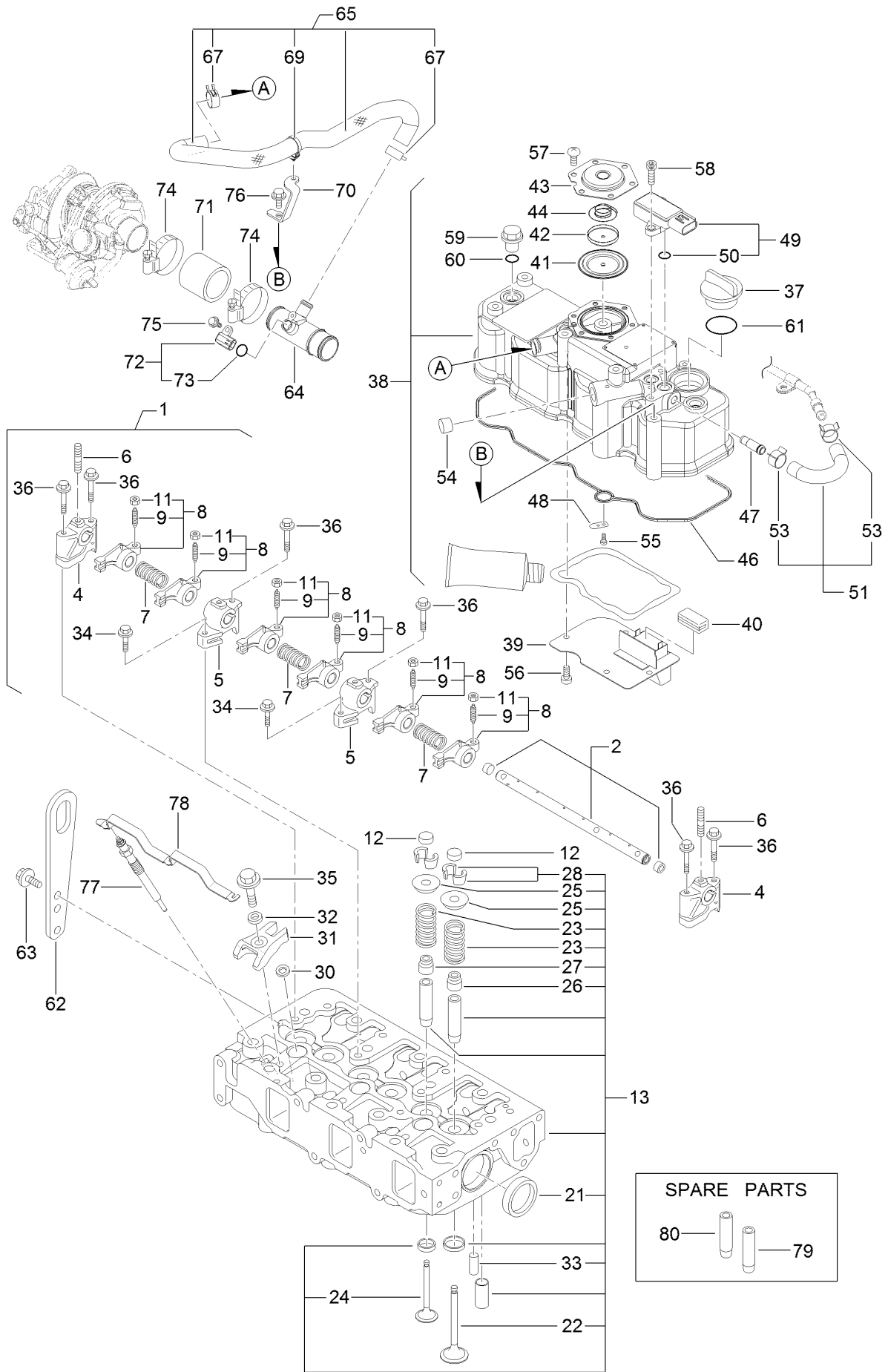


## Flywheel Housing and Oil Sump Assembly

| <i>Ref.</i> | <i>Part Number</i> | <i>Qty.</i> | <i>Description</i> |
|-------------|--------------------|-------------|--------------------|
| 1           | 125-6995           | 1           | Pin                |
| 2           | 127-3025           | 1           | Housing-Flywheel   |
| 3           | 125-6910           | 1           | Cap                |
| 4           | 125-7226           | 6           | Bolt               |
| 5           | 125-7227           | 4           | Bolt               |
| 6           | 127-3755           | 1           | Oil Pan ASM        |
| 7           | 125-6912           | 1           | Plug-Drain         |
| 9           | 125-7177           | 1           | Washer-Seal        |
| 10          | 127-3756           | 1           | Spacer             |
| 11          | 125-7214           | 4           | Bolt               |

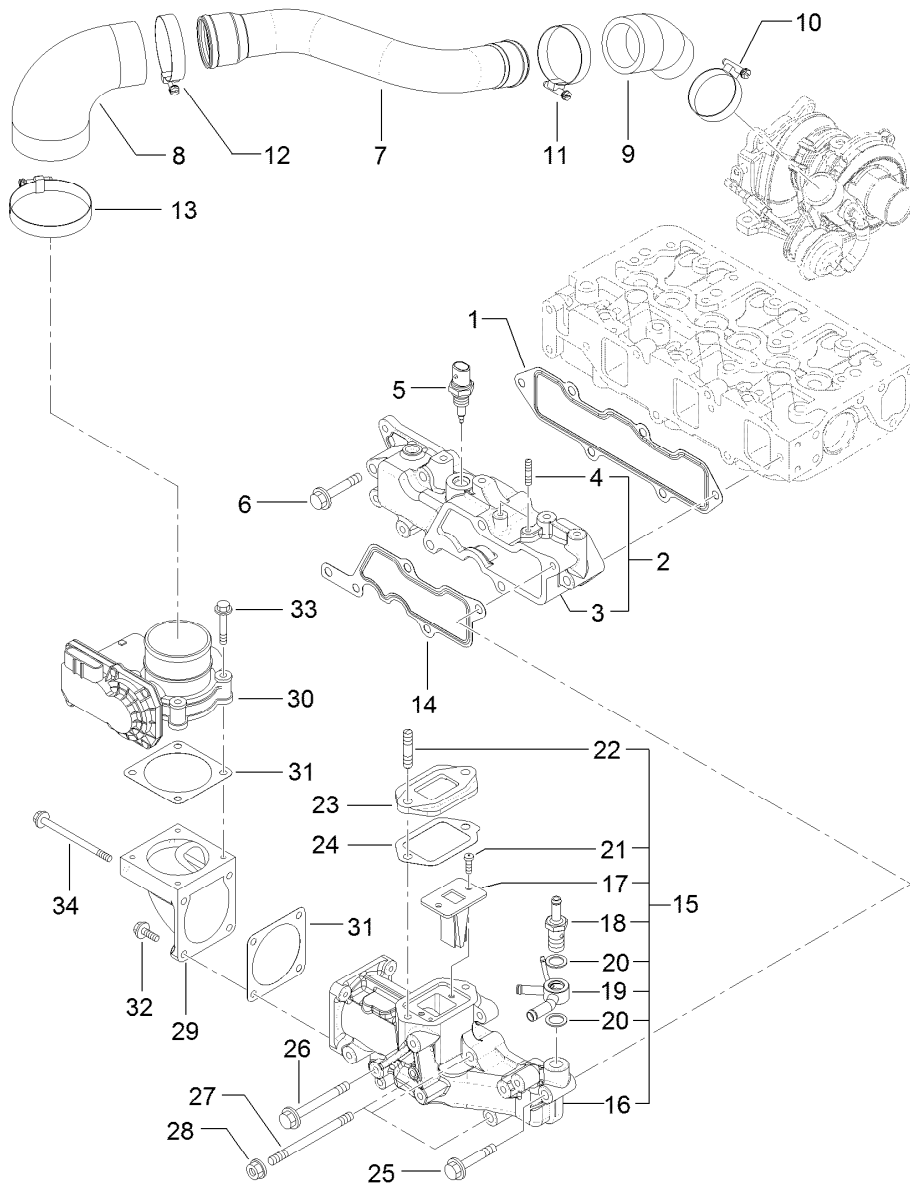
| <i>Ref.</i> | <i>Part Number</i> | <i>Qty.</i> | <i>Description</i>   |
|-------------|--------------------|-------------|----------------------|
| 12          | 125-7215           | 2           | Bolt                 |
| 13          | 125-7219           | 16          | Bolt                 |
| 14          | 125-7220           | 4           | Bolt                 |
| 15          | 125-6995           | 2           | Pin                  |
| 16          | 125-6996           | 1           | Case ASM             |
| 18          | 125-7106           | 1           | Seal-Oil             |
| 19          | 125-7045           | 6           | Bolt                 |
| 20          | 125-7217           | 3           | Bolt                 |
| 21          | 127-3062           | 1           | Sensor-Rev, Flywheel |
| 22          | 127-3184           | 1           | Bolt                 |

# Cylinder Head and Cover Assembly



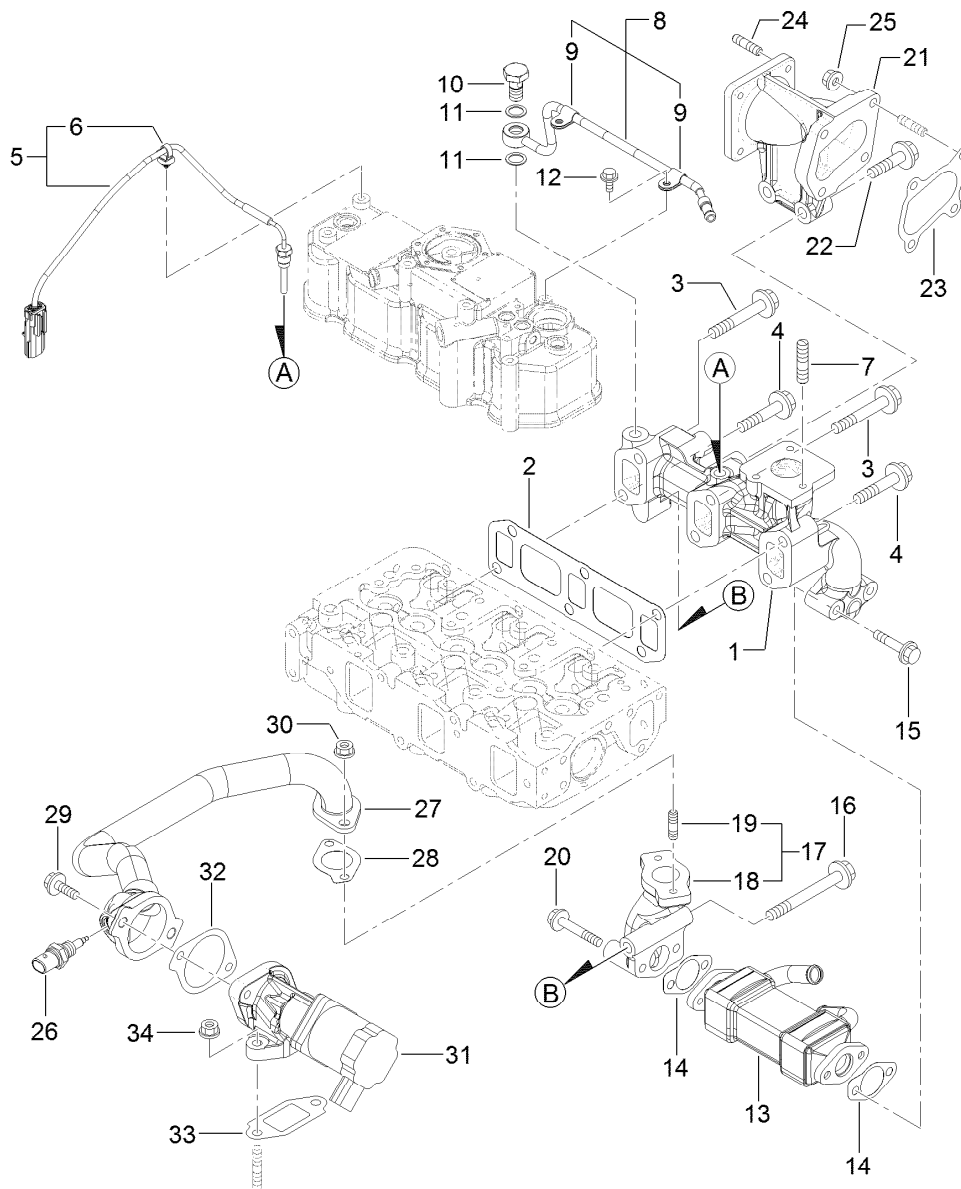
## Cylinder Head and Cover Assembly (continued)

| <i>Ref.</i> | <i>Part Number</i> | <i>Qty.</i> | <i>Description</i>      | <i>Ref.</i> | <i>Part Number</i> | <i>Qty.</i> | <i>Description</i>          |
|-------------|--------------------|-------------|-------------------------|-------------|--------------------|-------------|-----------------------------|
| 1           | 127-3757           | 1           | Shaft ASM               | 46          | 127-3762           | 1           | Gasket-Cover, Cylinder Head |
| 2           | 127-3758           | 1           | Shaft                   | 47          | 127-3026           | 1           | Joint                       |
| 4           | 127-2974           | 2           | Support                 | 48          | 125-6994           | 1           | Spring                      |
| 5           | 127-2975           | 2           | Support                 | 49          | 127-3029           | 1           | Sensor-Pressure             |
| 6           | 127-3759           | 3           | Stud                    | 50          | 127-3032           | 2           | O Ring-Sensor, Pressure     |
| 7           | 127-2995           | 3           | Spring                  | 51          | 127-3040           | 1           | Hose ASM                    |
| 8           | 127-2989           | 6           | Arm-Rocker              | 53          | 127-3041           | 2           | Clip-Hose                   |
| 9           | 125-7013           | 6           | Screw-Adjust, Valve     | 54          | 125-6913           | 1           | Plug                        |
| 11          | 125-7014           | 6           | Nut                     | 55          | 125-7186           | 1           | Screw                       |
| 12          | 127-2996           | 6           | Cap-Valve               | 56          | 125-7186           | 4           | Screw                       |
| 13          | 127-3760           | 1           | Cylinder Head ASM       | 57          | 125-7186           | 6           | Screw                       |
| 21          | 125-7240           | 2           | Plug                    | 58          | 127-3184           | 2           | Bolt                        |
| 22          | 127-2990           | 3           | Valve                   | 59          | 125-6974           | 3           | Knob                        |
| 23          | 127-3012           | 6           | Spring                  | 60          | 93-0418            | 3           | O-Ring                      |
| 24          | 127-2994           | 3           | Valve                   | 61          | 125-7197           | 1           | O-Ring                      |
| 25          | 127-3013           | 6           | Retainer-Spring         | 62          | 125-7111           | 1           | Lifter                      |
| 26          | 127-2986           | 3           | Seal-Stem, Valve        | 63          | 125-7214           | 2           | Bolt                        |
| 27          | 127-3027           | 3           | Seal-Stem, Valve        | 64          | 127-3763           | 1           | Joint-Breather              |
| 28          | 127-3186           | 6           | Pin-Cotter              | 65          | 127-3764           | 1           | Hose Breather ASM           |
| 30          | 127-3021           | 3           | Gasket-Injector         | 67          | 125-7040           | 2           | Clip-Hose                   |
| 31          | 127-3028           | 3           | Retainer-Injector       | 69          | 127-3087           | 1           | Band-Clip                   |
| 32          | 127-2980           | 3           | Washer-Injector         | 70          | 127-3765           | 1           | Stay-Hose, Breather         |
| 33          | 125-7184           | 2           | Pin-Spring              | 71          | 127-3766           | 1           | Hose, Air                   |
| 34          | 125-7215           | 2           | Bolt                    | 72          | 127-3030           | 1           | Sensor-Temp, Air            |
| 35          | 125-7217           | 3           | Bolt                    | 73          | 127-3033           | 1           | O-Ring                      |
| 36          | 125-7220           | 6           | Bolt                    | 74          | 127-3767           | 2           | Clamp 50                    |
| 37          | 125-6972           | 1           | Cover-Filler            | 75          | 125-7208           | 1           | Bolt                        |
| 38          | 127-3761           | 1           | Cylinder Head Cover ASM | 76          | 92-0803            | 1           | Bolt                        |
| 39          | 127-2988           | 1           | Plate                   | 77          | 127-2991           | 3           | Plug-Glow                   |
| 40          | 125-7012           | 1           | Baffle                  | 78          | 127-3768           | 1           | Connector-Plug, Glow        |
| 41          | 125-6959           | 1           | Diaphragm               | 79          | 127-2979           | 3           | Guide                       |
| 42          | 125-6960           | 1           | Plate                   | 80          | 127-2997           | 3           | Guide-Valve                 |
| 43          | 125-6961           | 1           | Plate-Breather          |             |                    |             |                             |
| 44          | 125-6962           | 1           | Spring-Diaphragm        |             |                    |             |                             |



## Suction Manifold Assembly

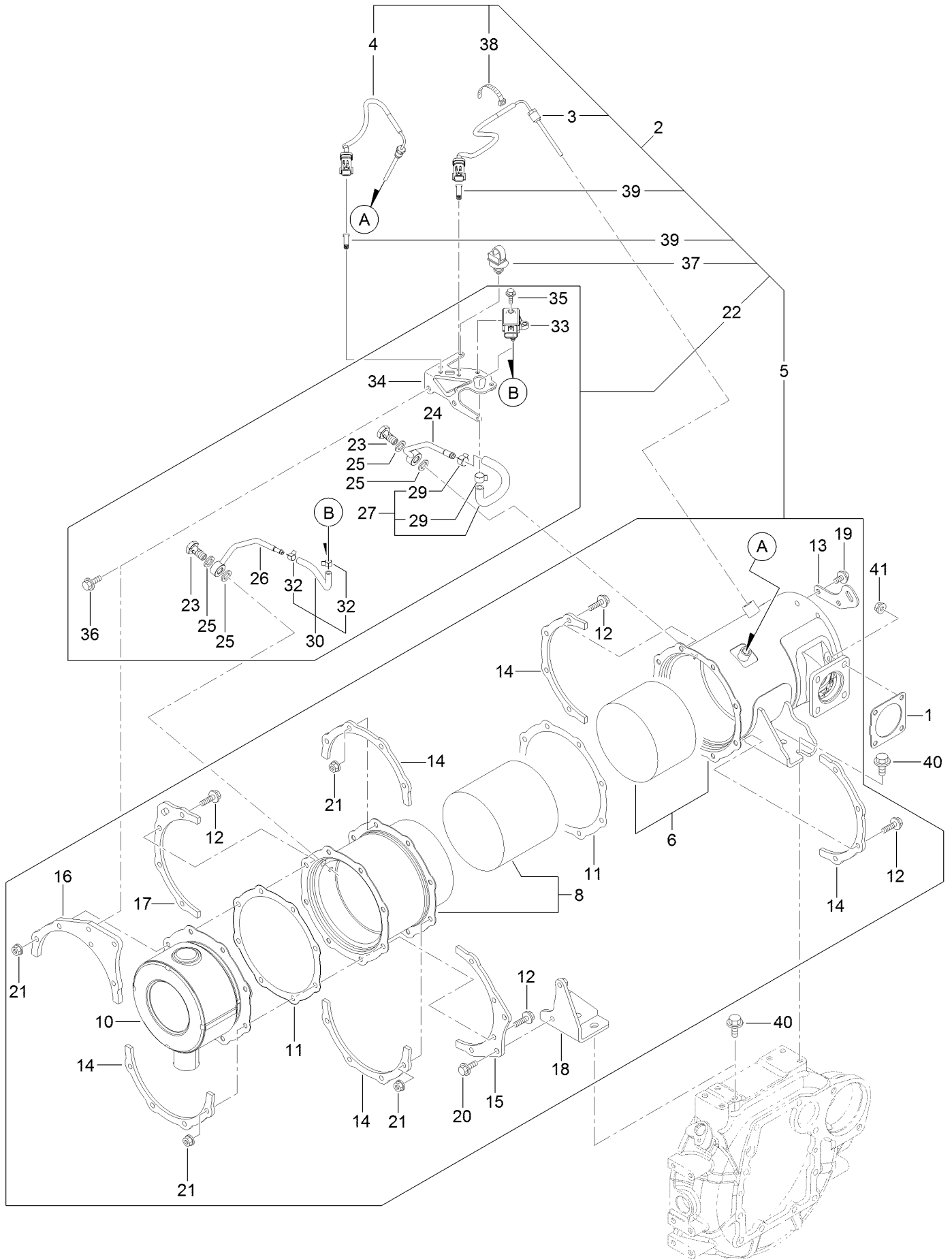
| Ref. | Part Number | Qty. | Description             | Ref. | Part Number | Qty. | Description         |
|------|-------------|------|-------------------------|------|-------------|------|---------------------|
| 1    | 127-3769    | 1    | Gasket-Manifold, Intake | 18   | 127-3080    | 1    | Joint-Hose          |
| 2    | 127-3770    | 1    | Intake Manifold ASM     | 19   | 127-3081    | 1    | Joint-Hose          |
| 3    | 127-3771    | 1    | Manifold-Intake, Air    | 20   | 127-3166    | 1    | Washer-Seal         |
| 4    | 127-3180    | 2    | Stud                    | 21   | 127-3168    | 11   | Screw               |
| 5    | 127-3031    | 1    | Sensor-Temp, Air        | 22   | 127-3181    | 1    | Stud                |
| 6    | 125-7220    | 3    | Bolt                    | 23   | 127-3045    | 1    | Spacer-Valve, E G R |
| 7    | 127-3772    | 1    | Duct Suction            | 24   | 127-3046    | 1    | Gasket-E G R        |
| 8    | 127-3096    | 1    | Joint-Rubber            | 25   | 125-7220    | 1    | Bolt                |
| 9    | 127-3773    | 1    | Joint, Rubber           | 26   | 127-3178    | 1    | Bolt                |
| 10   | 125-7189    | 1    | Clamp-Hose              | 27   | 127-3182    | 3    | Stud                |
| 11   | 127-3170    | 1    | Clamp-Hose              | 28   | 125-7229    | 3    | Nut                 |
| 12   | 125-7190    | 1    | Clamp-Hose              | 29   | 127-3035    | 1    | Bend-Inlet          |
| 13   | 127-3171    | 1    | Clamp-Hose              | 30   | 127-3036    | 1    | Body-Throttle       |
| 14   | 127-3034    | 1    | Gasket-Collector        | 31   | 127-3037    | 2    | Gasket-Throttle     |
| 15   | 127-3093    | 1    | Intake Collector ASM    | 32   | 125-7209    | 2    | Bolt                |
| 16   | 127-3092    | 1    | Collector-Intake        | 33   | 125-7211    | 4    | Bolt                |
| 17   | 127-3139    | 1    | Valve-Reed              | 34   | 127-3177    | 2    | Bolt                |



## Exhaust Manifold Assembly

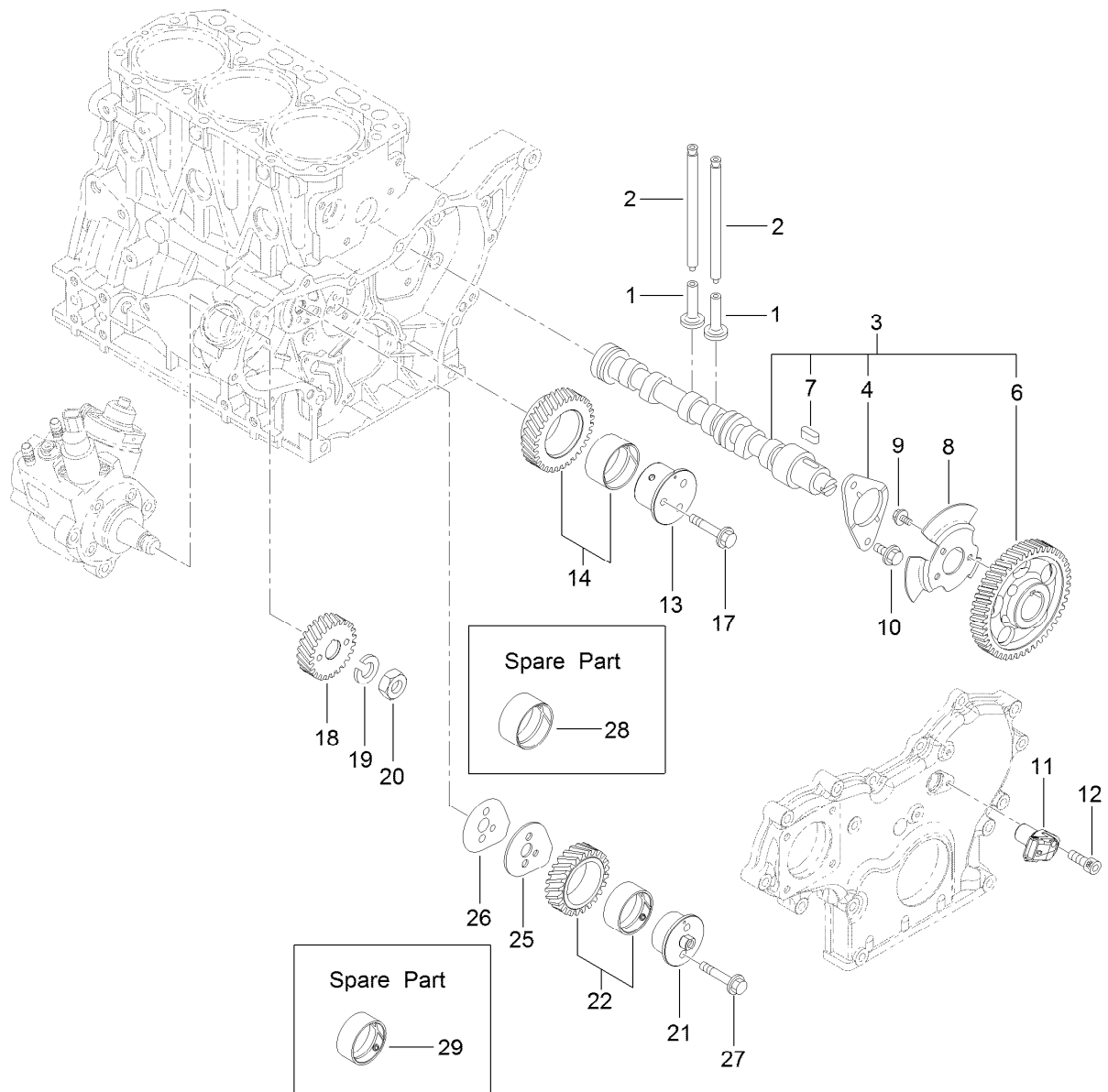
| Ref. | Part Number | Qty. | Description              | Ref. | Part Number | Qty. | Description                |
|------|-------------|------|--------------------------|------|-------------|------|----------------------------|
| 1    | 127-3774    | 1    | Manifold-Exhaust         | 18   | 127-3049    | 1    | Pipe-Out, E G R            |
| 2    | 127-3775    | 1    | Gasket-Manifold, Exhaust | 19   | 125-7043    | 2    | Stud                       |
| 3    | 127-3776    | 4    | Bolt-Flange              | 20   | 125-7220    | 2    | Bolt                       |
| 4    | 127-3094    | 2    | Bolt                     | 21   | 127-3778    | 1    | Pipe Extension ASM         |
| 5    | 127-3777    | 1    | Sensor-Temp, Exhaust     | 22   | 127-3138    | 2    | Bolt-Flange                |
| 6    | 127-3087    | 1    | Band-Clip                | 23   | 127-3779    | 1    | Gasket-Out, T C            |
| 7    | 125-7043    | 3    | Stud                     | 24   | 125-6906    | 4    | Stud                       |
| 8    | 127-3038    | 1    | Exhaust Pipe ASM         | 25   | 125-7229    | 4    | Nut                        |
| 9    | 127-3173    | 2    | Clamp                    | 26   | 127-3047    | 1    | Sensor-Gas Temp, E G R     |
| 10   | 127-3039    | 1    | Bolt-Joint, Pipe         | 27   | 127-3780    | 1    | E G R Pipe ASM             |
| 11   | 127-3174    | 2    | Gasket                   | 28   | 127-3016    | 1    | Gasket                     |
| 12   | 125-7206    | 2    | Bolt                     | 29   | 125-7215    | 2    | Bolt                       |
| 13   | 127-3042    | 1    | Cooler-E G R             | 30   | 125-7229    | 2    | Nut                        |
| 14   | 127-3043    | 2    | Gasket-Cooler, E G R     | 31   | 127-3781    | 1    | Valve-E G R                |
| 15   | 127-2976    | 2    | Bolt                     | 32   | 127-3050    | 1    | Gasket-Intake Valve, E G R |
| 16   | 127-3022    | 1    | Bolt-Flange              | 33   | 127-3051    | 1    | Gasket-Out Valve, E G R    |
| 17   | 127-3048    | 1    | E G R Pipe ASM           | 34   | 125-7229    | 2    | Nut                        |

# Diesel Particulate Filter Assembly



## Diesel Particulate Filter Assembly (continued)

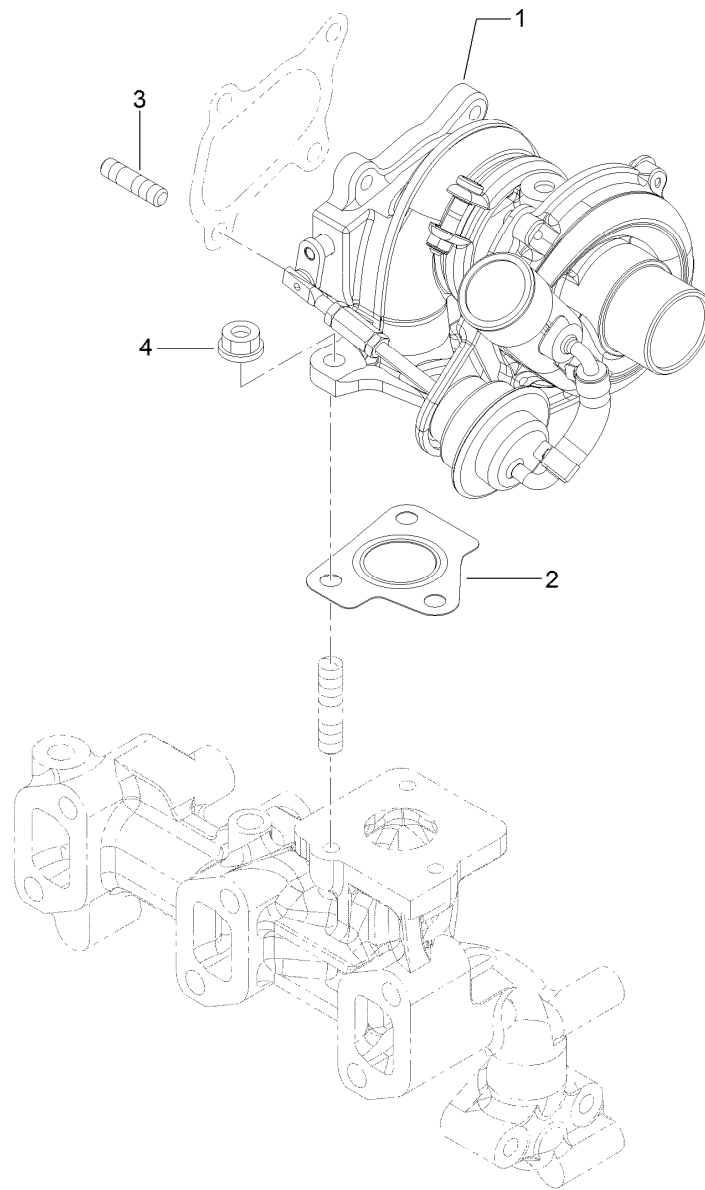
| <i>Ref.</i> | <i>Part Number</i> | <i>Qty.</i> | <i>Description</i>   | <i>Ref.</i> | <i>Part Number</i> | <i>Qty.</i> | <i>Description</i>           |
|-------------|--------------------|-------------|----------------------|-------------|--------------------|-------------|------------------------------|
| 1           | 127-3019           | 1           | Gasket               | 22          | 127-3794           | 1           | Pressure Sensor Unit         |
| 2           | 127-3782           | 1           | D P F Unit           | 23          | 127-3039           | 2           | Bolt-Joint, Pipe             |
| 3           | 127-3111           | 1           | Sensor-Temp, Exhaust | 24          | 127-3795           | 1           | Pipe-Sensor                  |
| 4           | 127-3112           | 1           | Sensor-Temp, Exhaust | 25          | 127-3056           | 4           | Gasket-Sensor                |
| 5           | 127-3783           | 1           | D P F ASM            | 26          | 127-3796           | 1           | Pipe-Sensor                  |
| 6           | 127-3784           | 1           | Case-D O C           | 27          | 127-3114           | 1           | Exhaust Hose ASM             |
| 8           | 127-3785           | 1           | Case-Filter, Soot    | 29          | 127-3057           | 2           | Clip-Hose                    |
| 10          | 127-3786           | 1           | Silencer-D P F       | 30          | 127-3059           | 1           | Exhaust Pressure Hose<br>ASM |
| 11          | 127-3787           | 2           | Gasket-D P F         | 32          | 127-3058           | 2           | Clip-Hose                    |
| 12          | 127-3055           | 16          | Bolt                 | 33          | 127-3060           | 1           | Sensor-Pressure              |
| 13          | 127-3788           | 1           | Lifter-D P F         | 34          | 127-3061           | 1           | Bracket-Sensor, Pressure     |
| 14          | 127-3789           | 5           | Stiffener-D P F, A   | 35          | 125-7208           | 2           | Bolt                         |
| 15          | 127-3790           | 1           | Stiffener-D P F, B   | 36          | 125-7595           | 2           | Bolt                         |
| 16          | 127-3791           | 1           | Stiffener-D P F, C   | 37          | 127-3087           | 1           | Band-Clip                    |
| 17          | 127-3792           | 1           | Stiffener-D P F, C   | 38          | 127-3124           | 1           | Band                         |
| 18          | 127-3793           | 1           | Stay-D P F           | 39          | 127-3088           | 2           | Clip-Connector               |
| 19          | 125-7213           | 2           | Bolt                 | 40          | 127-3179           | 4           | Bolt                         |
| 20          | 125-7594           | 2           | Bolt                 | 41          | 125-7229           | 4           | Nut                          |
| 21          | 125-7229           | 16          | Nut                  |             |                    |             |                              |



## Camshaft and Driving Gear Assembly

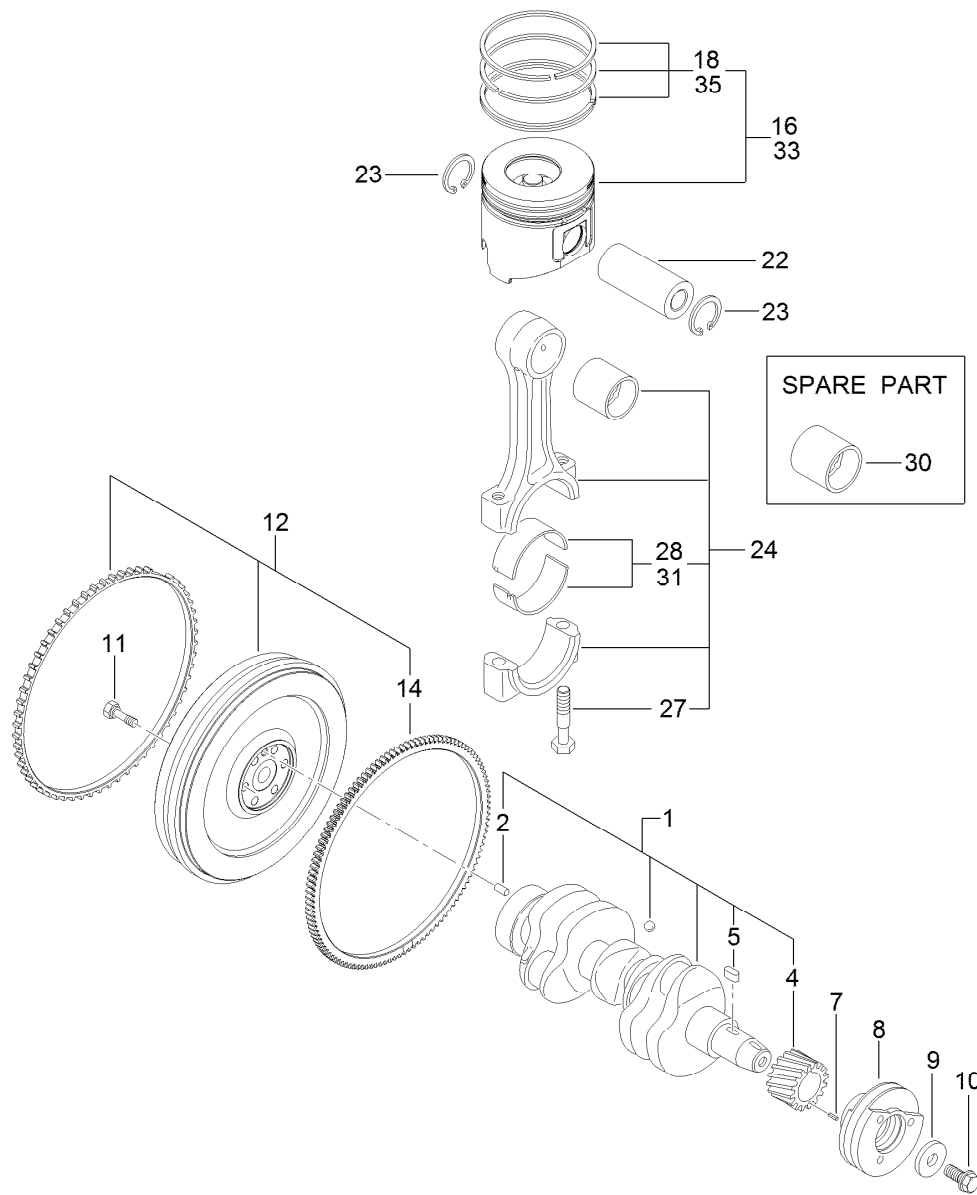
| Ref. | Part Number | Qty. | Description        | Ref. | Part Number | Qty. | Description          |
|------|-------------|------|--------------------|------|-------------|------|----------------------|
| 1    | 125-7016    | 6    | Tappet             | 14   | 127-3066    | 1    | Idle Gear A ASM      |
| 2    | 125-7017    | 6    | Rod-Push           | 17   | 125-7219    | 3    | Bolt                 |
| 3    | 127-3797    | 1    | Camshaft ASM       | 18   | 127-3070    | 1    | Gear-Pump, Supply    |
| 4    | 125-7008    | 1    | Metal-Thrust       | 19   | 127-3167    | 1    | Washer-Spring        |
| 6    | 127-3052    | 1    | Gear-Camshaft      | 20   | 127-3185    | 1    | Nut-Lock             |
| 7    | 125-7185    | 1    | Key                | 21   | 127-3064    | 1    | Shaft-Idle, Gear B   |
| 8    | 127-3053    | 1    | Pulser-Camshaft    | 22   | 127-3067    | 1    | Idle Gear B ASM      |
| 9    | 125-7205    | 3    | Bolt               | 25   | 127-3068    | 1    | Plate-Idle, Shaft    |
| 10   | 125-7213    | 2    | Bolt               | 26   | 127-3069    | 1    | Gasket-Idle, Shaft B |
| 11   | 127-3054    | 1    | Sensor-Rev, Gear   | 27   | 125-7218    | 2    | Bolt                 |
| 12   | 127-3184    | 1    | Bolt               | 28   | 125-6927    | 1    | Bushing              |
| 13   | 127-3063    | 1    | Shaft-Idle, Gear A | 29   | 127-3065    | 1    | Bushing              |





## Turbine Assembly

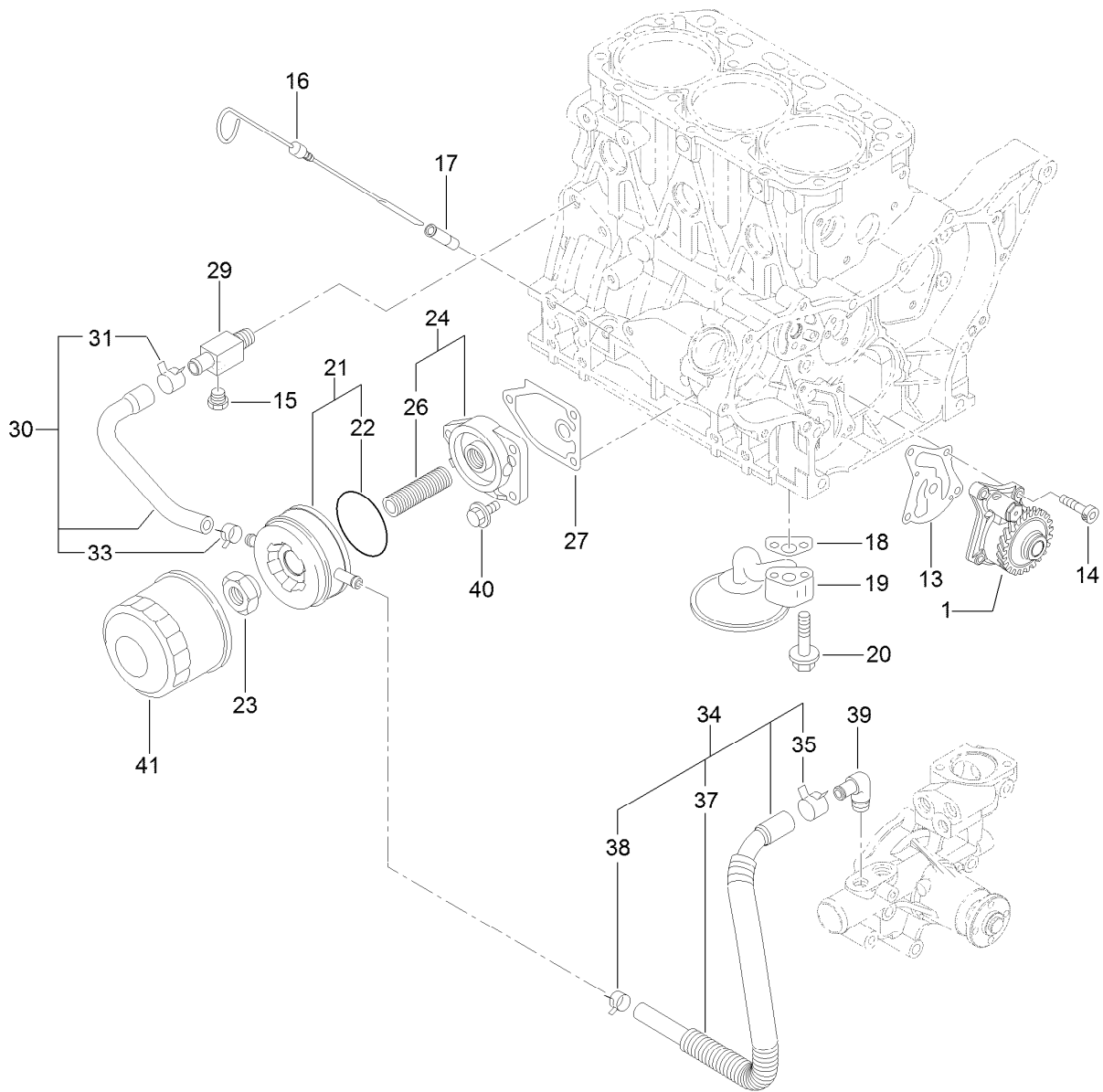
| <i>Ref.</i> | <i>Part Number</i> | <i>Qty.</i> | <i>Description</i>  |
|-------------|--------------------|-------------|---------------------|
| 1           | 127-3798           | 1           | R H F 3 Turbine ASM |
| 2           | 127-3799           | 1           | Gasket-In, T C      |
| 3           | 125-6906           | 4           | Stud                |
| 4           | 125-7229           | 3           | Nut                 |



## Crankshaft and Piston Assembly

| <i>Ref.</i> | <i>Part Number</i> | <i>Qty.</i> | <i>Description</i> |
|-------------|--------------------|-------------|--------------------|
| 1           | 127-3800           | 1           | Crankshaft ASM     |
| 2           | 125-6995           | 1           | Pin                |
| 4           | 125-6937           | 1           | Gear               |
| 5           | 125-7185           | 1           | Key                |
| 7           | 125-7182           | 1           | Pin-Spring         |
| 8           | 127-3801           | 1           | Pulley-V           |
| 9           | 125-7109           | 1           | Washer             |
| 10          | 125-6956           | 1           | Bolt               |
| 11          | 125-6951           | 6           | Bolt               |
| 12          | 127-3802           | 1           | Flywheel ASM       |
| 14          | 125-6943           | 1           | Gear               |

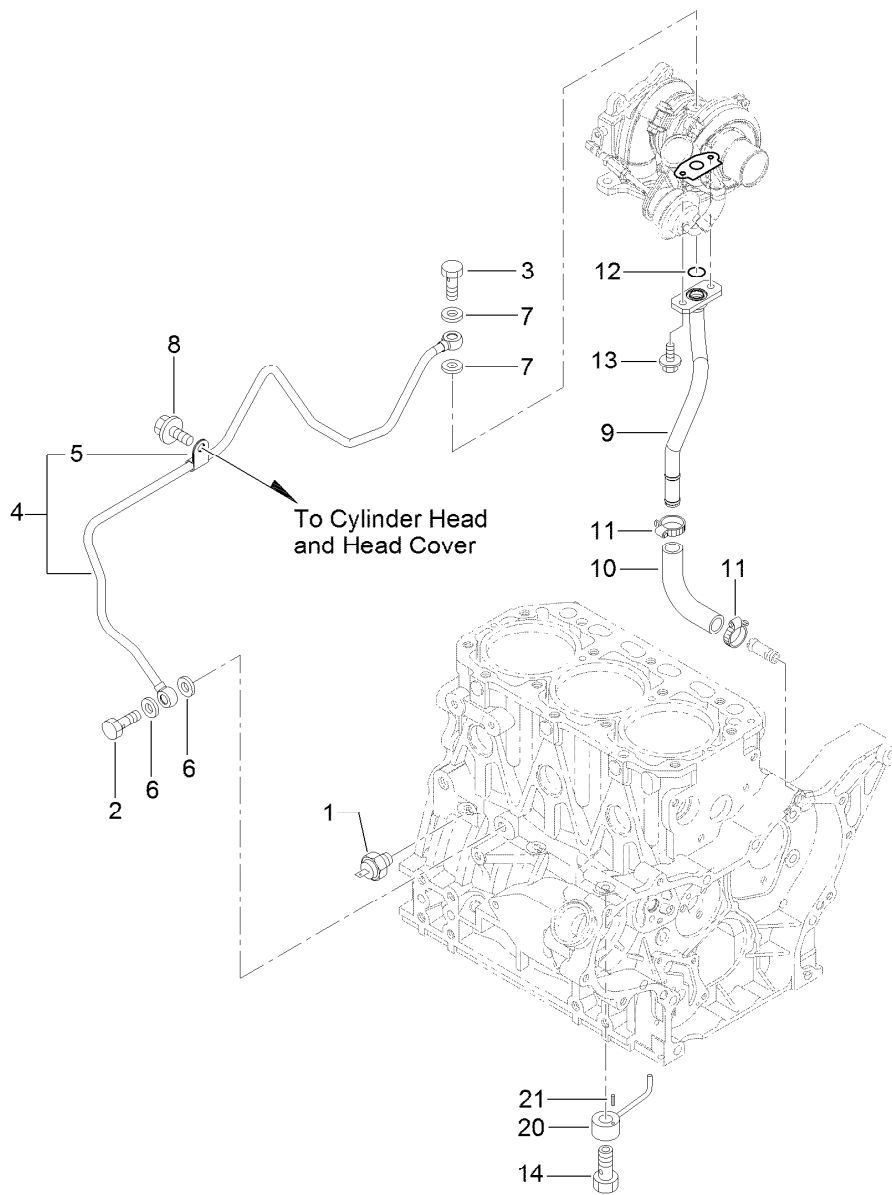
| <i>Ref.</i> | <i>Part Number</i> | <i>Qty.</i> | <i>Description</i>          |
|-------------|--------------------|-------------|-----------------------------|
| 16          | 127-3097           | 3           | Piston ASM                  |
| 18          | 127-3098           | 3           | Piston Ring ASM             |
| 22          | 125-7030           | 3           | Pin                         |
| 23          | 125-7180           | 6           | Ring                        |
| 24          | 125-7242           | 3           | Connecting Rod ASM          |
| 27          | 125-6955           | 6           | Bolt                        |
| 28          | 125-7018           | 3           | Pin-Crank                   |
| 30          | 125-6997           | 3           | Pin-Piston                  |
| 31          | 125-7019           | 3           | Pin-Crank (.25)             |
| 33          | 127-3099           | 3           | Piston ASM (0.25 O.S.)      |
| 35          | 127-3100           | 3           | Piston Ring ASM (0.25 O.S.) |



## Lubrication and Oil System Assembly

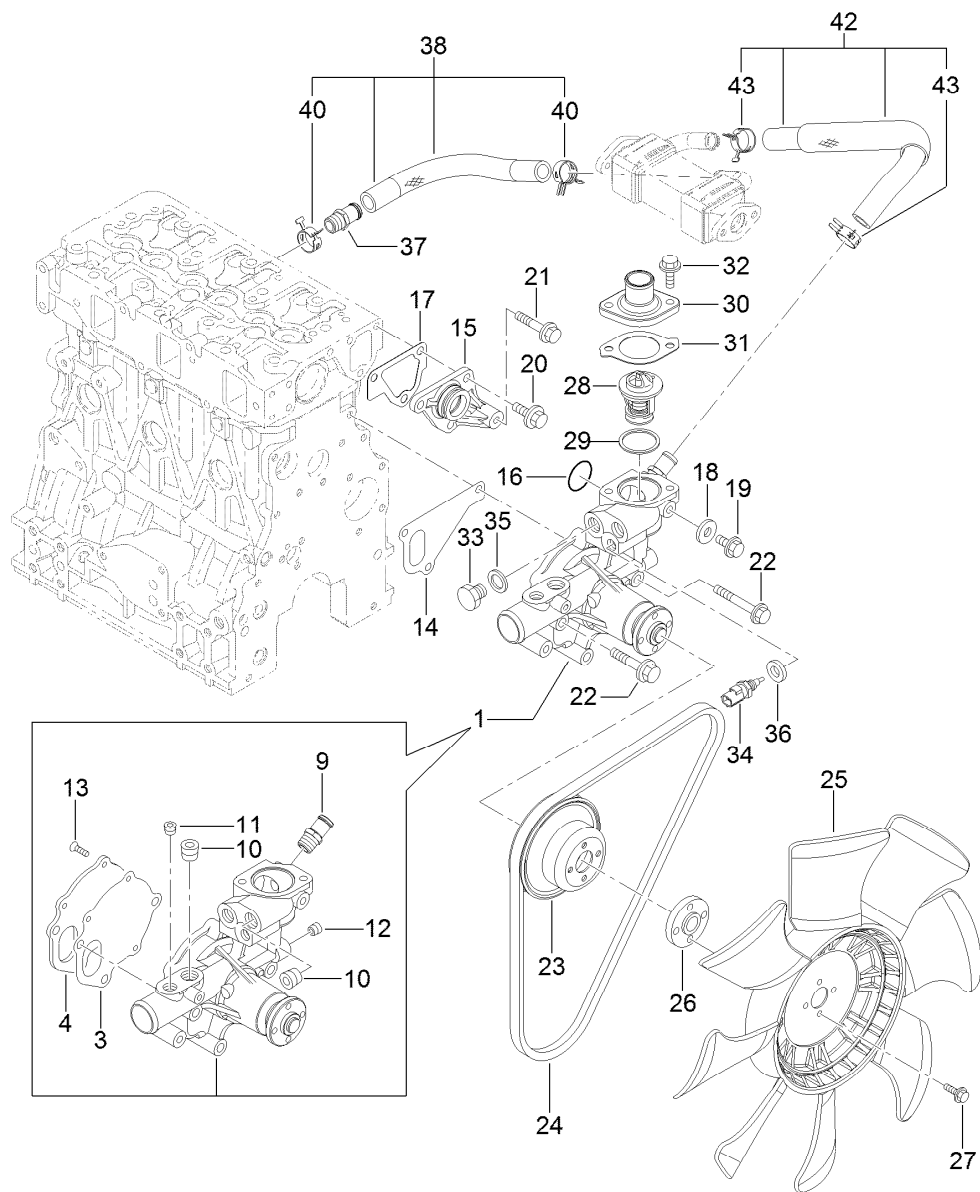
| Ref. | Part Number | Qty. | Description       |
|------|-------------|------|-------------------|
| 1    | 127-3101    | 1    | Oil Lube Pump ASM |
| 13   | 127-3004    | 1    | Gasket            |
| 14   | 125-7232    | 4    | Bolt              |
| 15   | 125-7171    | 1    | Plug-Drain        |
| 16   | 125-6987    | 1    | Dipstick          |
| 17   | 125-6954    | 1    | Guide-Dipstick    |
| 18   | 125-7022    | 1    | Gasket            |
| 19   | 127-3803    | 1    | Pipe ASM          |
| 20   | 125-7217    | 2    | Bolt              |
| 21   | 125-7074    | 1    | Cooler ASM        |
| 22   | 125-7075    | 1    | O-Ring            |
| 23   | 125-7041    | 1    | Nut-Cooler, Oil   |
| 24   | 125-6989    | 1    | Bracket ASM       |

| Ref. | Part Number | Qty. | Description        |
|------|-------------|------|--------------------|
| 26   | 125-7042    | 1    | Stud               |
| 27   | 125-7024    | 1    | Gasket             |
| 29   | 125-6990    | 1    | Joint              |
| 30   | 125-7078    | 1    | Pipe ASM           |
| 31   | 125-7162    | 1    | Clip               |
| 33   | 125-7191    | 1    | Clamp-Hose         |
| 34   | 127-3804    | 1    | Pipe ASM           |
| 35   | 125-7162    | 1    | Clip               |
| 37   | 127-3805    | 1    | Tube               |
| 38   | 125-7191    | 1    | Clamp-Hose         |
| 39   | 125-7001    | 1    | Elbow              |
| 40   | 125-7595    | 3    | Bolt               |
| 41   | 125-7025    | 1    | Filter-Engine, Oil |



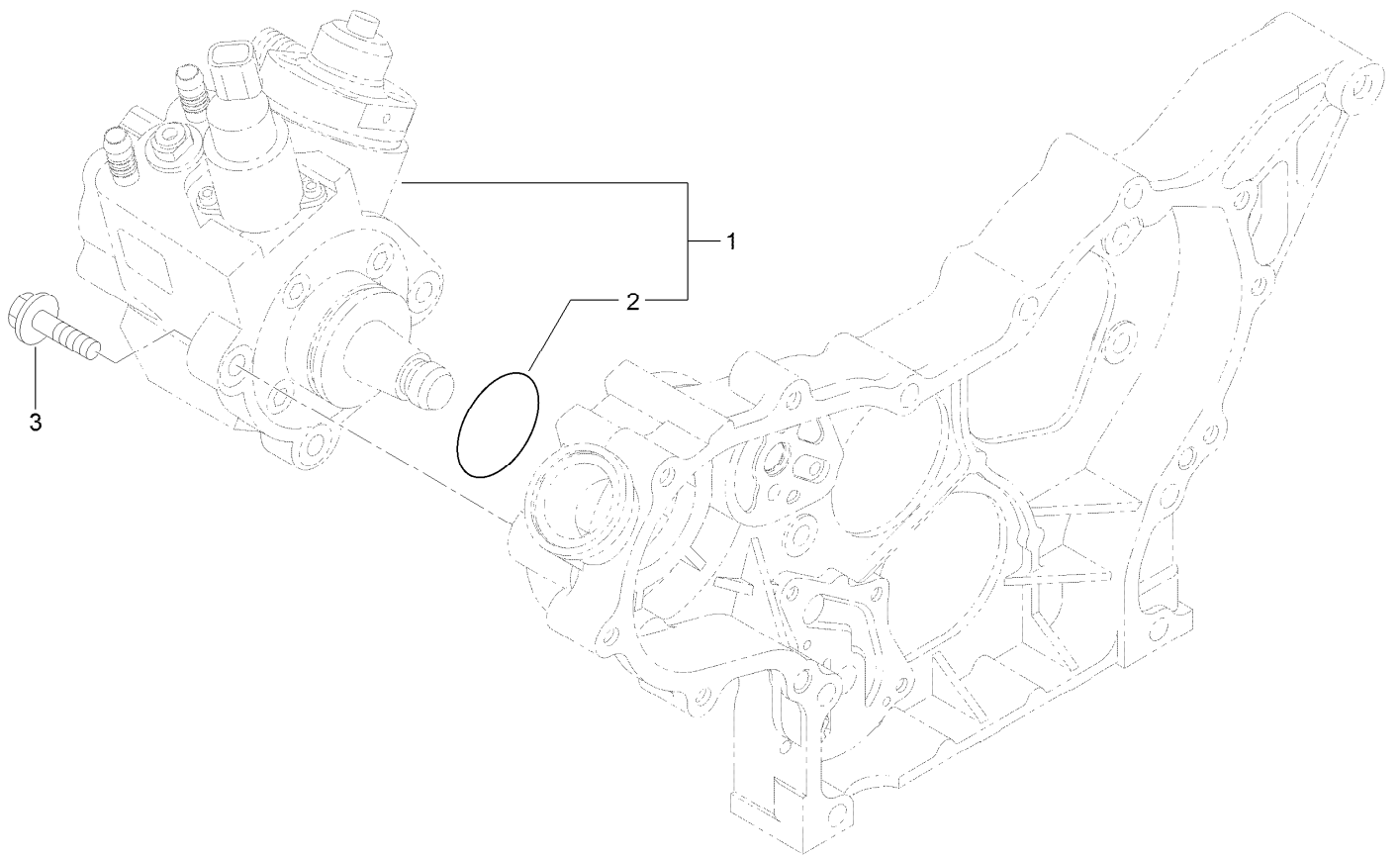
## Lubrication Oil Line Assembly

| <i>Ref.</i> | <i>Part Number</i> | <i>Qty.</i> | <i>Description</i> | <i>Ref.</i> | <i>Part Number</i> | <i>Qty.</i> | <i>Description</i>    |
|-------------|--------------------|-------------|--------------------|-------------|--------------------|-------------|-----------------------|
| 1           | 125-6918           | 1           | Switch-Oil         | 9           | 127-3807           | 1           | Pipe-Return, Lube Oil |
| 2           | 125-6975           | 1           | Bolt-Joint, Pipe   | 10          | 127-3808           | 1           | Joint                 |
| 3           | 125-6952           | 1           | Bolt-Joint, Pipe   | 11          | 127-3169           | 2           | Clamp-Hose            |
| 4           | 127-3806           | 1           | Lube Oil Pipe ASM  | 12          | 125-7198           | 1           | O-Ring                |
| 5           | 125-6976           | 1           | Retainer           | 13          | 125-7208           | 2           | Bolt                  |
| 6           | 125-7175           | 2           | Washer-Seal        | 14          | 125-7105           | 3           | Check Valve ASM       |
| 7           | 125-7193           | 2           | Gasket             | 20          | 125-7098           | 3           | Nozzle                |
| 8           | 93-0362            | 1           | Bolt               | 21          | 125-7182           | 3           | Pin-Spring            |



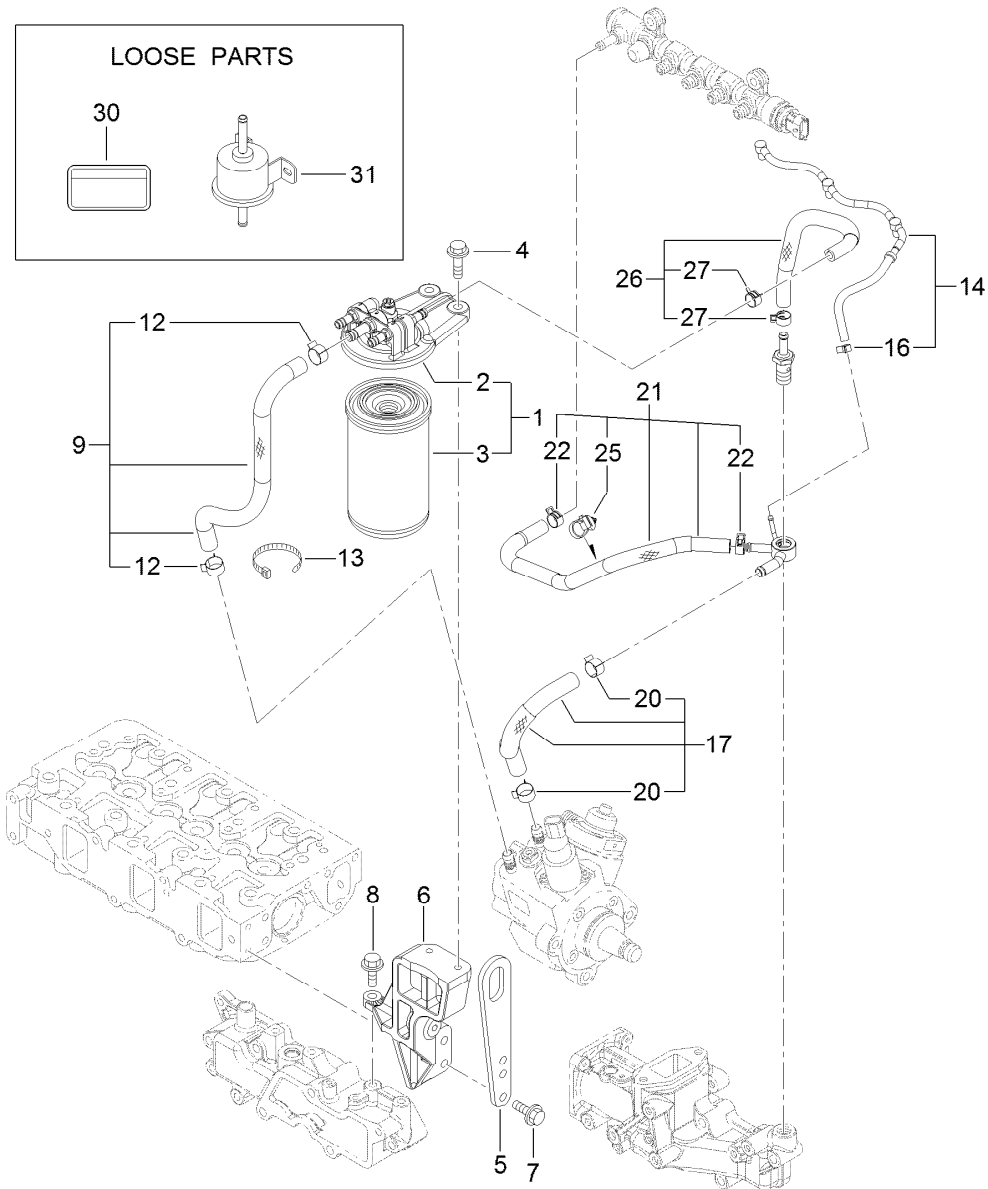
## Cooling Water System Assembly

| Ref. | Part Number | Qty. | Description    | Ref. | Part Number | Qty. | Description           |
|------|-------------|------|----------------|------|-------------|------|-----------------------|
| 1    | 127-3071    | 1    | Water Pump ASM | 24   | 127-2998    | 1    | V-Belt                |
| 3    | 125-6998    | 1    | Gasket         | 25   | 127-3809    | 1    | Fan                   |
| 4    | 125-6999    | 1    | Plate          | 26   | 127-3810    | 1    | Spacer                |
| 9    | 127-3017    | 1    | Joint          | 27   | 125-7209    | 4    | Bolt                  |
| 10   | 125-7123    | 2    | Plug           | 28   | 125-7029    | 1    | Thermostat            |
| 11   | 127-3175    | 1    | Plug           | 29   | 125-7026    | 1    | Gasket                |
| 12   | 125-7195    | 1    | Plug           | 30   | 125-7034    | 1    | Cover                 |
| 13   | 125-7234    | 3    | Screw          | 31   | 125-7110    | 1    | Gasket                |
| 14   | 125-7047    | 1    | Gasket         | 32   | 125-7594    | 2    | Bolt                  |
| 15   | 125-6986    | 1    | Joint          | 33   | 125-6953    | 1    | Plug                  |
| 16   | 125-7048    | 1    | O-Ring         | 34   | 125-7124    | 1    | Sensor-Thermostat, CW |
| 17   | 125-6978    | 1    | Gasket         | 35   | 125-6979    | 1    | Gasket                |
| 18   | 125-7192    | 1    | Gasket         | 36   | 125-7176    | 1    | Washer-Seal           |
| 19   | 93-0362     | 1    | Bolt           | 37   | 127-3017    | 1    | Joint                 |
| 20   | 125-7214    | 3    | Bolt           | 38   | 127-3072    | 1    | Water In Pipe ASM     |
| 21   | 125-7219    | 1    | Bolt           | 40   | 127-3020    | 2    | Clip-Hose             |
| 22   | 125-7222    | 3    | Bolt           | 42   | 127-3811    | 1    | CW Pipe ASM           |
| 23   | 125-7039    | 1    | V-Pulley       | 43   | 127-3020    | 2    | Clip-Hose             |



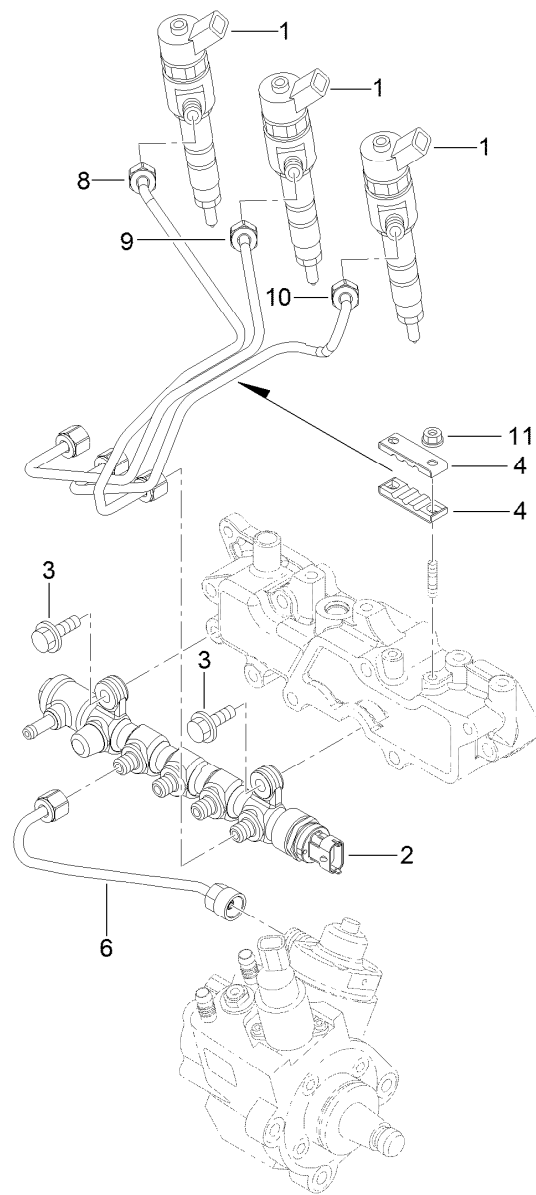
## Fuel System Assembly

| <i>Ref.</i> | <i>Part Number</i> | <i>Qty.</i> | <i>Description</i> |
|-------------|--------------------|-------------|--------------------|
| 1           | 127-3073           | 1           | Fuel Pump ASM      |
| 2           | 127-3074           | 1           | O-Ring             |
| 3           | 125-7216           | 3           | Bolt               |



## Fuel Line Assembly

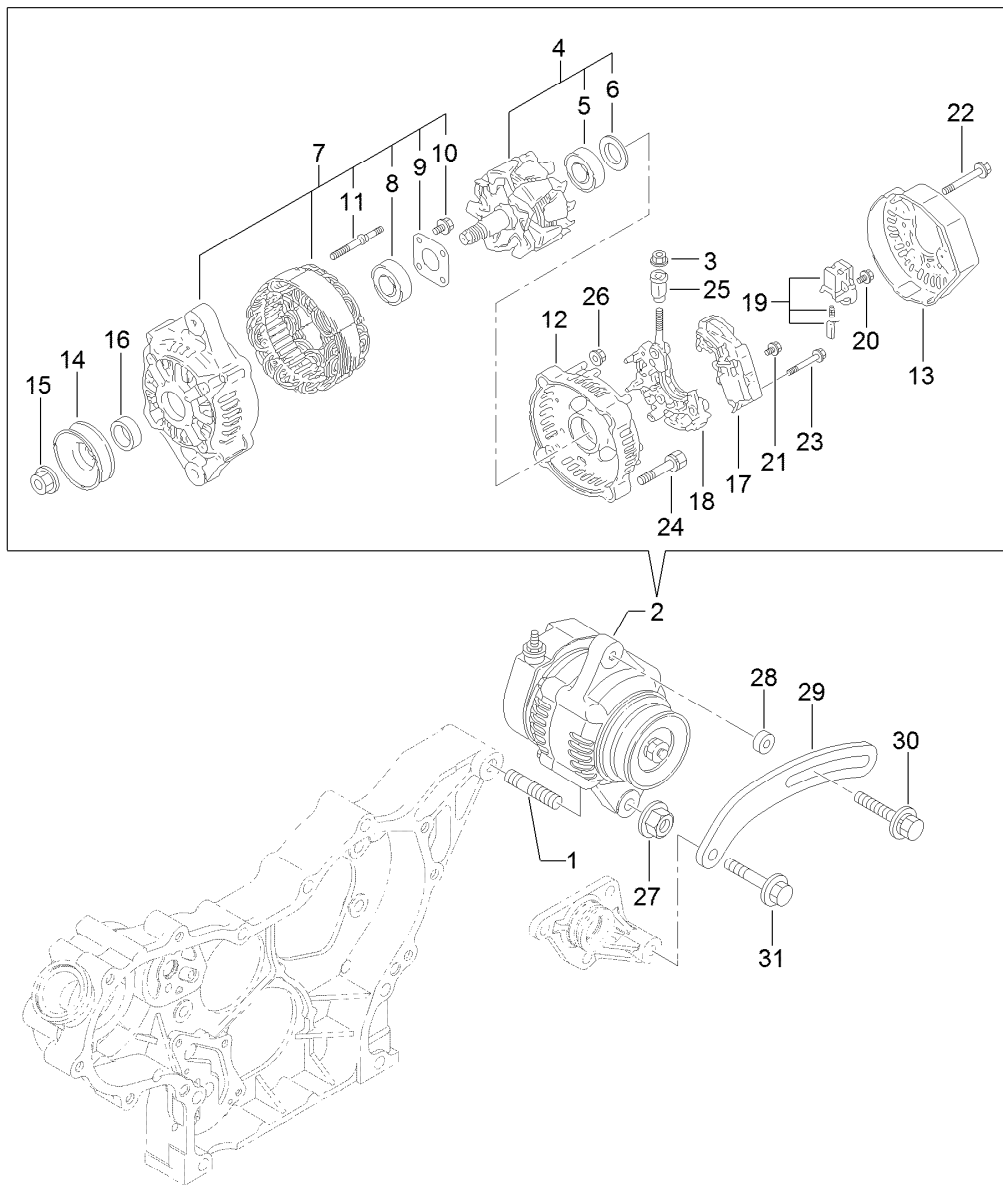
| <i>Ref.</i> | <i>Part Number</i> | <i>Qty.</i> | <i>Description</i>          | <i>Ref.</i> | <i>Part Number</i> | <i>Qty.</i> | <i>Description</i>       |
|-------------|--------------------|-------------|-----------------------------|-------------|--------------------|-------------|--------------------------|
| 1           | 127-3075           | 1           | Fuel/Oil Filter ASM         | 14          | 127-3816           | 1           | Fuel/Oil Return Pipe ASM |
| 2           | 127-3076           | 1           | Fuel/Oil Filter Bracket ASM | 16          | 127-3172           | 1           | Clamp-Hose               |
| 3           | 125-8752           | 1           | Filter-Fuel/Oil             | 17          | 127-3078           | 1           | Fuel Pipe ASM            |
| 4           | 125-7216           | 2           | Bolt                        | 20          | 125-7191           | 2           | Clamp-Hose               |
| 5           | 125-7111           | 1           | Lifter                      | 21          | 127-3817           | 1           | Fuel Pipe ASM            |
| 6           | 127-3815           | 1           | Filter Bracket ASM          | 22          | 127-2950           | 2           | Clip-Hose                |
| 7           | 125-7215           | 2           | Bolt                        | 25          | 127-3087           | 1           | Band-Clip                |
| 8           | 125-7215           | 1           | Bolt                        | 26          | 127-3079           | 1           | Fuel Pipe ASM            |
| 9           | 127-3077           | 1           | Fuel Pipe ASM               | 27          | 127-2950           | 2           | Clip-Hose                |
| 12          | 125-7191           | 2           | Clamp-Hose                  | 30          | 125-6900           | 1           | Label-Caution, Fuel Oil  |
| 13          | 127-2981           | 1           | Band                        | 31          | 127-3008           | 1           | Fuel Feed Pump ASM       |



## Fuel Injection Valve Assembly

| Ref. | Part Number | Qty. | Description        |
|------|-------------|------|--------------------|
| 1    | 127-3104    | 3    | Injector ASM       |
| 2    | 127-3812    | 1    | Rail ASM           |
| 3    | 125-7215    | 2    | Bolt               |
| 4    | 127-3813    | 2    | Retainer           |
| 6    | 127-3082    | 1    | Rail In Pipe ASM   |
| 8    | 127-3814    | 1    | Injection Pipe ASM |
| 9    | 127-3083    | 1    | Injection Pipe ASM |
| 10   | 127-3084    | 1    | Injection Pipe ASM |
| 11   | 125-7231    | 2    | Nut                |

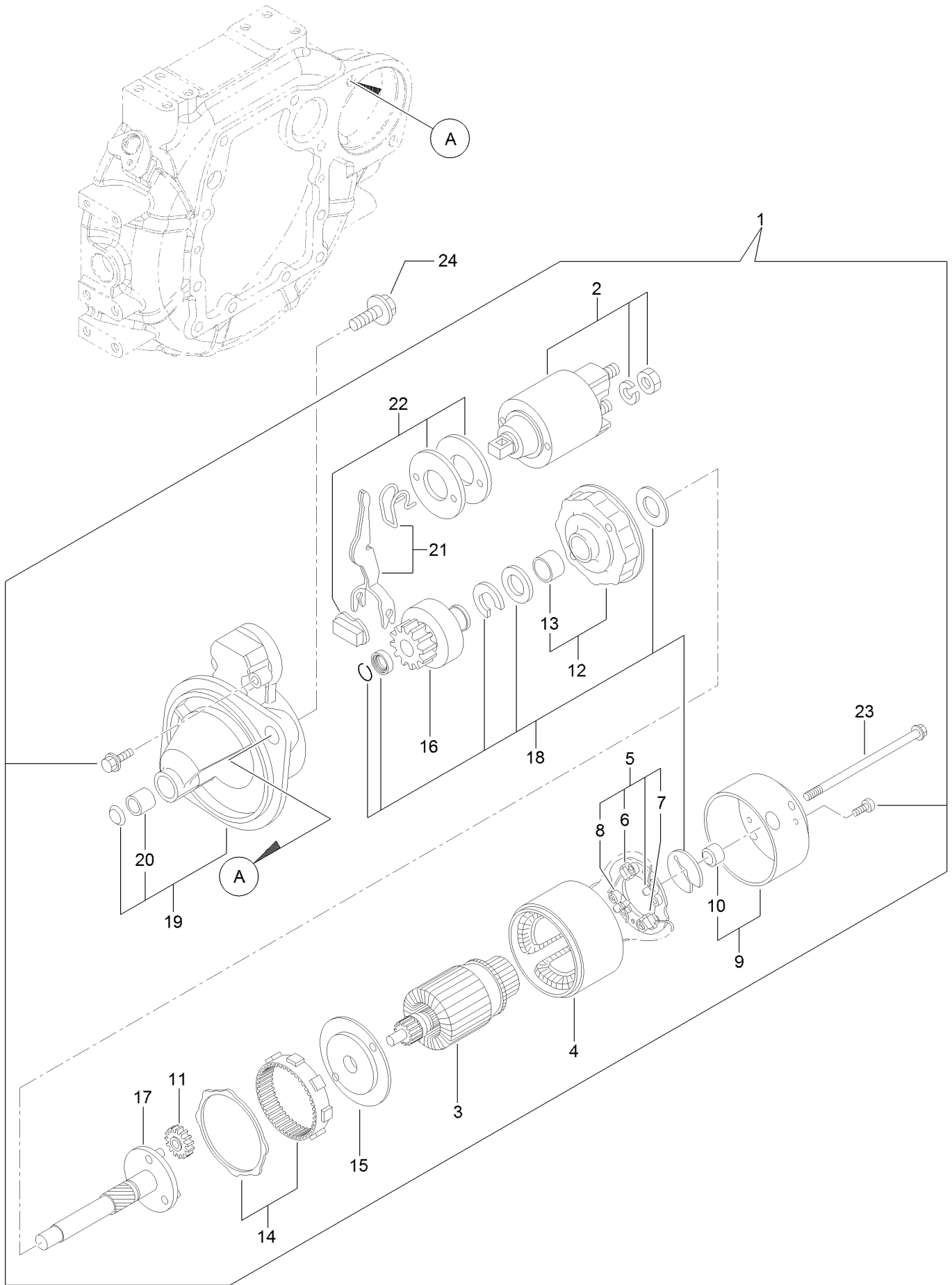




## Generator Assembly

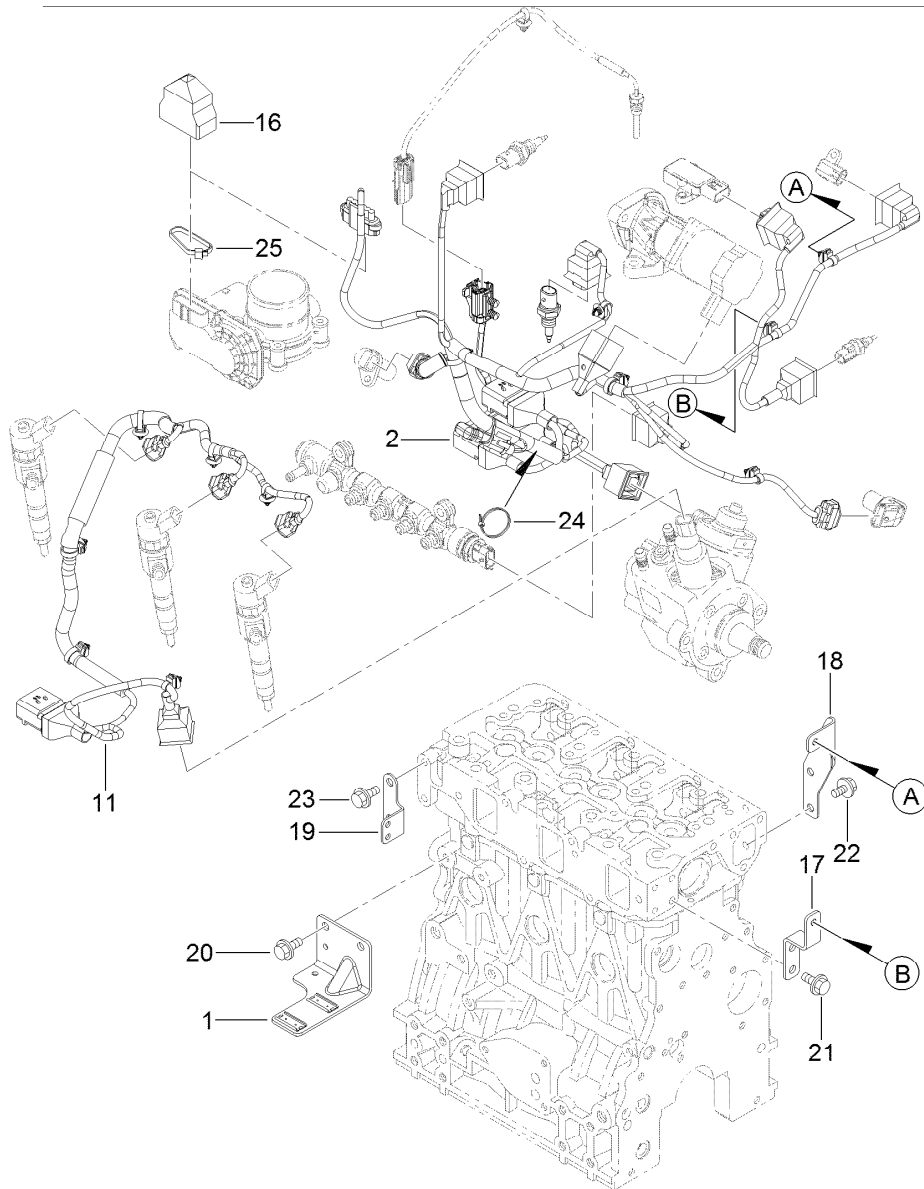
| <i>Ref.</i> | <i>Part Number</i> | <i>Qty.</i> | <i>Description</i> | <i>Ref.</i> | <i>Part Number</i> | <i>Qty.</i> | <i>Description</i> |
|-------------|--------------------|-------------|--------------------|-------------|--------------------|-------------|--------------------|
| 1           | 127-3011           | 1           | Stud               | 17          | 127-3847           | 1           | Regulator ASM      |
| 2           | 127-3841           | 1           | Generator          | 18          | 127-3848           | 1           | Holder             |
| 3           | 127-3842           | 1           | Nut                | 19          | 127-2993           | 1           | Holder             |
| 4           | 127-3843           | 1           | Rotor ASM          | 20          | 127-2965           | 6           | Screw              |
| 5           | 127-2983           | 1           | Bearing-Ball       | 21          | 127-2966           | 1           | Screw              |
| 6           | 127-2962           | 1           | Cover              | 22          | 127-2967           | 3           | Bolt               |
| 7           | 127-3844           | 1           | Frame ASM          | 23          | 127-2968           | 2           | Screw              |
| 8           | 127-2958           | 1           | Bearing-Ball       | 24          | 127-2969           | 2           | Bolt               |
| 9           | 127-2959           | 1           | Plate-Retainer     | 25          | 127-2970           | 1           | Bushing-Insulation |
| 10          | 127-2960           | 4           | Screw              | 26          | 127-2971           | 2           | Nut                |
| 11          | 127-2961           | 2           | Stud               | 27          | 125-7230           | 1           | Nut                |
| 12          | 127-3845           | 1           | Frame              | 28          | 125-6947           | 1           | Spacer             |
| 13          | 127-3846           | 1           | Cover              | 29          | 127-2977           | 1           | Adjuster           |
| 14          | 127-2954           | 1           | Pulley             | 30          | 125-7134           | 1           | Bolt               |
| 15          | 127-2955           | 1           | Nut                | 31          | 125-7219           | 1           | Bolt               |
| 16          | 127-2957           | 1           | Collar             |             |                    |             |                    |

# Starting Motor Assembly



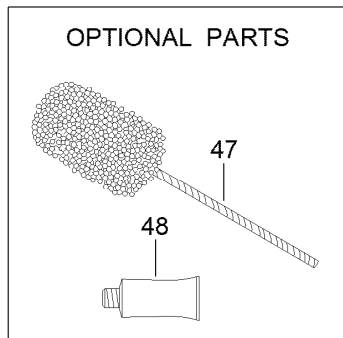
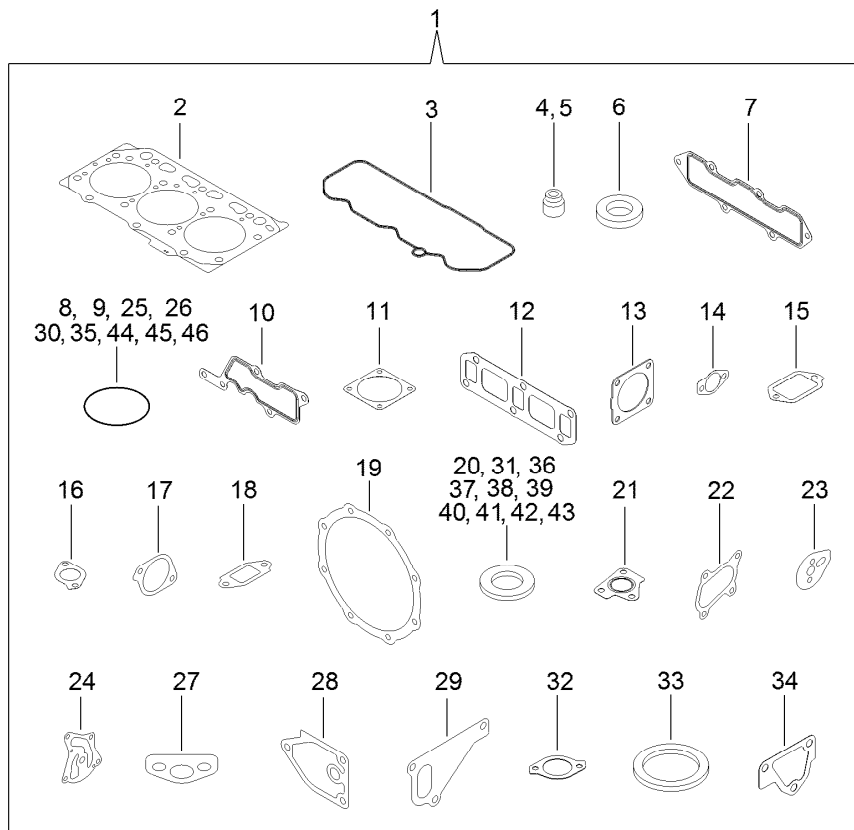
## Starting Motor Assembly (continued)

| <i>Ref.</i> | <i>Part Number</i> | <i>Qty.</i> | <i>Description</i> | <i>Ref.</i> | <i>Part Number</i> | <i>Qty.</i> | <i>Description</i> |
|-------------|--------------------|-------------|--------------------|-------------|--------------------|-------------|--------------------|
| 1           | 127-3818           | 1           | Starter ASM        | 13          | 127-3830           | 1           | Bracket            |
| 2           | 127-3819           | 1           | Switch ASM         | 14          | 127-3831           | 1           | Gear               |
| 3           | 127-3820           | 1           | Armature ASM       | 15          | 127-3832           | 1           | Bracket            |
| 4           | 127-3821           | 1           | Yoke ASM           | 16          | 127-3833           | 1           | Pinion ASM         |
| 5           | 127-3822           | 1           | Brush Holder ASM   | 17          | 127-3834           | 1           | Shaft              |
| 6           | 127-3823           | 2           | Brush              | 18          | 127-3835           | 1           | Washer Set         |
| 7           | 127-3824           | 1           | Brush Set          | 19          | 127-3836           | 1           | Case ASM           |
| 8           | 127-3825           | 4           | Spring             | 20          | 127-3837           | 1           | Metal-Starter      |
| 9           | 127-3826           | 1           | Cover ASM          | 21          | 127-3838           | 1           | Lever Set          |
| 10          | 127-3827           | 1           | Metal              | 22          | 127-3839           | 1           | Dust Cover ASM     |
| 11          | 127-3828           | 3           | Gear               | 23          | 127-3840           | 2           | Bolt-Through       |
| 12          | 127-3829           | 1           | Bracket            | 24          | 125-7225           | 2           | Bolt               |



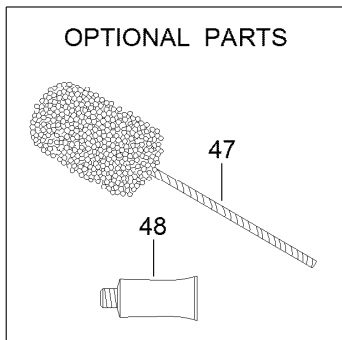
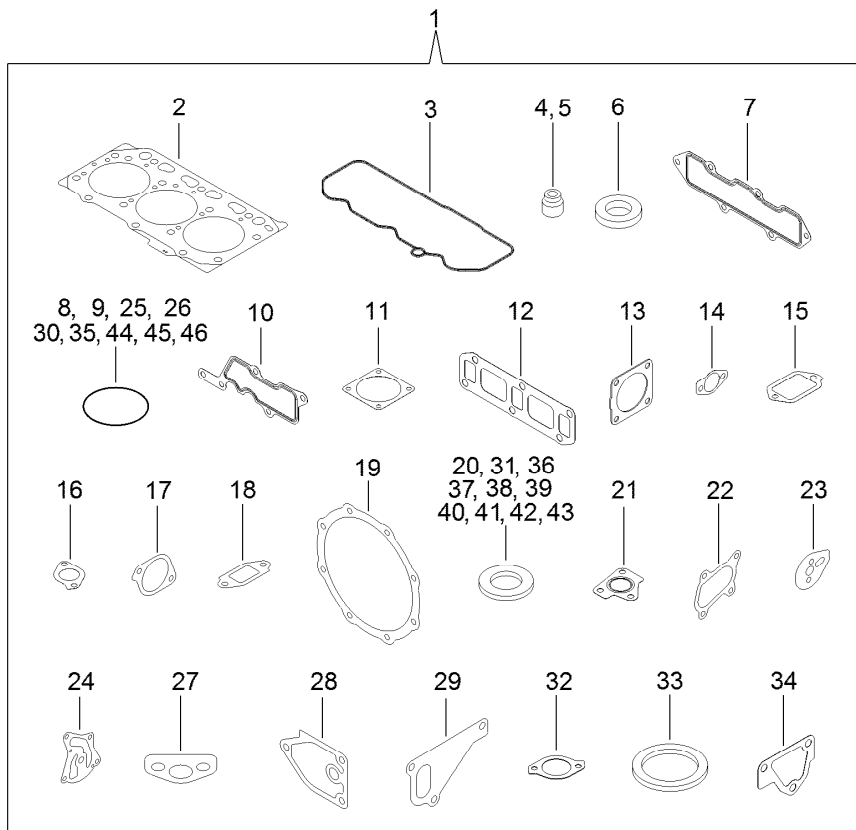
## Electric Parts Assembly

| Ref. | Part Number | Qty. | Description             |
|------|-------------|------|-------------------------|
| 1    | 127-3086    | 1    | Bracket-Connector       |
| 2    | 127-3850    | 1    | Harness B-Engine, E C O |
| 11   | 127-3851    | 1    | Harness                 |
| 16   | 127-3089    | 1    | Boot-Type, Cap          |
| 17   | 127-3852    | 1    | Bracket-Harness         |
| 18   | 127-3853    | 1    | Bracket-Harness         |
| 19   | 127-3090    | 1    | Bracket-Harness         |
| 20   | 93-0362     | 2    | Bolt                    |
| 21   | 93-0362     | 2    | Bolt                    |
| 22   | 93-0362     | 2    | Bolt                    |
| 23   | 93-0362     | 2    | Bolt                    |
| 24   | 127-3187    | 1    | Band                    |
| 25   | 127-3188    | 1    | Band                    |



## Gasket Set

| Ref. | Part Number | Qty. | Description                 | Ref. | Part Number | Qty. | Description          |
|------|-------------|------|-----------------------------|------|-------------|------|----------------------|
| 1    | 127-3854    | 1    | Gasket Kit                  | 21   | 127-3799    | 1    | Gasket-In, T C       |
| 2    | 127-3751    | 1    | Head Gasket ASM             | 22   | 127-3779    | 1    | Gasket-Out, T C      |
| 3    | 127-3762    | 1    | Gasket-Cover, Cylinder Head | 23   | 127-3069    | 1    | Gasket-Idle, Shaft B |
| 4    | 127-2986    | 3    | Seal-Stem, Valve            | 24   | 127-3004    | 1    | Gasket               |
| 5    | 127-3027    | 3    | Seal-Stem, Valve            | 25   | 125-6909    | 2    | O-Ring               |
| 6    | 127-3021    | 3    | Gasket-Injector             | 26   | 127-2973    | 1    | O-Ring               |
| 7    | 127-3769    | 1    | Gasket-Manifold, Intake     | 27   | 125-7022    | 1    | Gasket               |
| 8    | 127-3032    | 2    | O Ring-Sensor, Pressure     | 28   | 125-7024    | 1    | Gasket               |
| 9    | 127-3033    | 1    | O-Ring                      | 29   | 125-7047    | 1    | Gasket               |
| 10   | 127-3034    | 1    | Gasket-Collector            | 30   | 125-7048    | 1    | O-Ring               |
| 11   | 127-3037    | 2    | Gasket-Throttle             | 31   | 125-6979    | 1    | Gasket               |
| 12   | 127-3775    | 1    | Gasket-Manifold, Exhaust    | 32   | 125-7110    | 1    | Gasket               |
| 13   | 127-3019    | 1    | Gasket                      | 33   | 125-7026    | 1    | Gasket               |
| 14   | 127-3043    | 2    | Gasket-Cooler, E G R        | 34   | 125-6978    | 1    | Gasket               |
| 15   | 127-3046    | 1    | Gasket-E G R                | 35   | 127-3074    | 1    | O-Ring               |
| 16   | 127-3016    | 1    | Gasket                      | 36   | 125-7174    | 1    | Washer-Seal          |
| 17   | 127-3050    | 1    | Gasket-Intake Valve, E G R  | 37   | 125-7175    | 2    | Washer-Seal          |
| 18   | 127-3051    | 1    | Gasket-Out Valve, E G R     | 38   | 125-7176    | 1    | Washer-Seal          |
| 19   | 127-3787    | 2    | Gasket-D P F                | 39   | 127-3166    | 2    | Washer-Seal          |
| 20   | 127-3056    | 4    | Gasket-Sensor               | 40   | 125-7177    | 1    | Washer-Seal          |
|      |             |      |                             | 41   | 125-7192    | 1    | Gasket               |



## Gasket Set (continued)

| <i>Ref.</i> | <i>Part Number</i> | <i>Qty.</i> | <i>Description</i> | <i>Ref.</i> | <i>Part Number</i> | <i>Qty.</i> | <i>Description</i> |
|-------------|--------------------|-------------|--------------------|-------------|--------------------|-------------|--------------------|
| 42          | 125-7193           | 2           | Gasket             | 46          | 125-7198           | 1           | O-Ring             |
| 43          | 127-3174           | 2           | Gasket             | 47          | 125-7038           | 1           | Hone               |
| 44          | 93-0418            | 3           | O-Ring             | 48          | 125-7248           | 1           | Gasket-Liquid      |
| 45          | 125-7197           | 3           | O-Ring             |             |                    |             |                    |

# Attachments and Accessories

## For 03679 Reelmaster 5610-D Traction Unit

| <b>Product Name</b>   | <b>Model/Part</b> |
|---|-------------------|
| CrossTrax All-Wheel Drive Kit .....                                     | 03655             |
| Air Ride Seat Suspension Kit .....                                      | 03667             |
| 7 Inch Verticutter .....  | 03684             |
| 7in 8 Blade DPA (radial) .....  | 03696             |
| 7in 11 Blade DPA (radial) .....   | 03697             |
| Turf Evaluator .....  | 04399             |
| Wheel Weight Kit .....  | 104-1478          |
| Premium All Season Hydraulic Fluid (55 Gallon Drum) .....               | 108-1177          |
| Premium All Season Hydraulic Fluid (5 Gallon Pail) .....                | 108-1178          |
| Premium All Purpose Grease (Tube) .....                                 | 108-1190          |
| Gauge Bar Assembly .....  | 108-6715          |
| ROPS Extension Kit .....  | 110-8030          |
| Operator Fan Kit - US Sales Only, 3in ROPS Post .....                   | 110-8804          |
| Weight Plate .....  | 110-8985-03       |
| Rear Lift Cylinder Limit Kit .....                                      | 110-9604          |
| 5in Air Cleaner Safety Element .....                                    | 114-4057          |
| Premium Synthetic Bio-Degradable Hydraulic Fluid (5 Gallon Pail) .....  | 119-2157          |
| Premium Synthetic Bio-Degradable Hydraulic Fluid (55 Gallon Drum) ..... | 119-2158          |
| Cutting Unit Hydraulic Hose Kit .....                                   | 119-6955          |
| Large Seat Cover .....  | 120-5179          |
| Premium Engine Oil 10w30 (55 Gallon Drum) .....                         | 121-6392          |
| Premium Engine Oil 10w30 (5 Gallon Pail) .....                          | 121-6393          |
| Canopy Completion Kit .....   | 130-5895          |
| Brush and Handle Kit .....  | 29-9100           |
| Universal Sunshade .....  | 30349             |
| Red Universal Sunshade .....  | 30552             |
| Spark Arrestor .....  | 98-9099           |



**Count on it.**