



Count on it.

Parts Catalog

Reelmaster® 5510 Traction Unit

Model No. 03680—Serial No. 280000001 and Up



Ordering Replacement Parts

To order replacement parts, please supply the part number, the quantity, and the description of each part desired.

Understanding Reference Numbers

Each identified part in an illustration has a reference number. The reference number for a part also appears in the parts list, along with other information about the part.

This catalog uses two special reference number formats, one to indicate parts in a service assembly and another to indicate the quantity of a given part in an illustration.

Service Assembly Reference Numbers

Parts in service assemblies have reference numbers in the form a:b. The a represents the reference number of the entire service assembly and the b represents a sequential number unique to each part within the service assembly.

For example, a wheel assembly might be identified by reference number 6, the tire by 6:1, the valve by 6:2, and the wheel by 6:3. When you order the assembly identified by reference number 6, you receive all parts identified by reference numbers 6:1, 6:2, and 6:3. However, you may also order any part individually. Reference numbers of this type appear in illustration and in parts lists.

Reference Numbers Indicating Quantity

In an illustration, if a reference number indicates more than one part, the reference number has the form nX y. The n represents the quantity of the part, the X is the multiplication symbol, and the y represents the reference number.

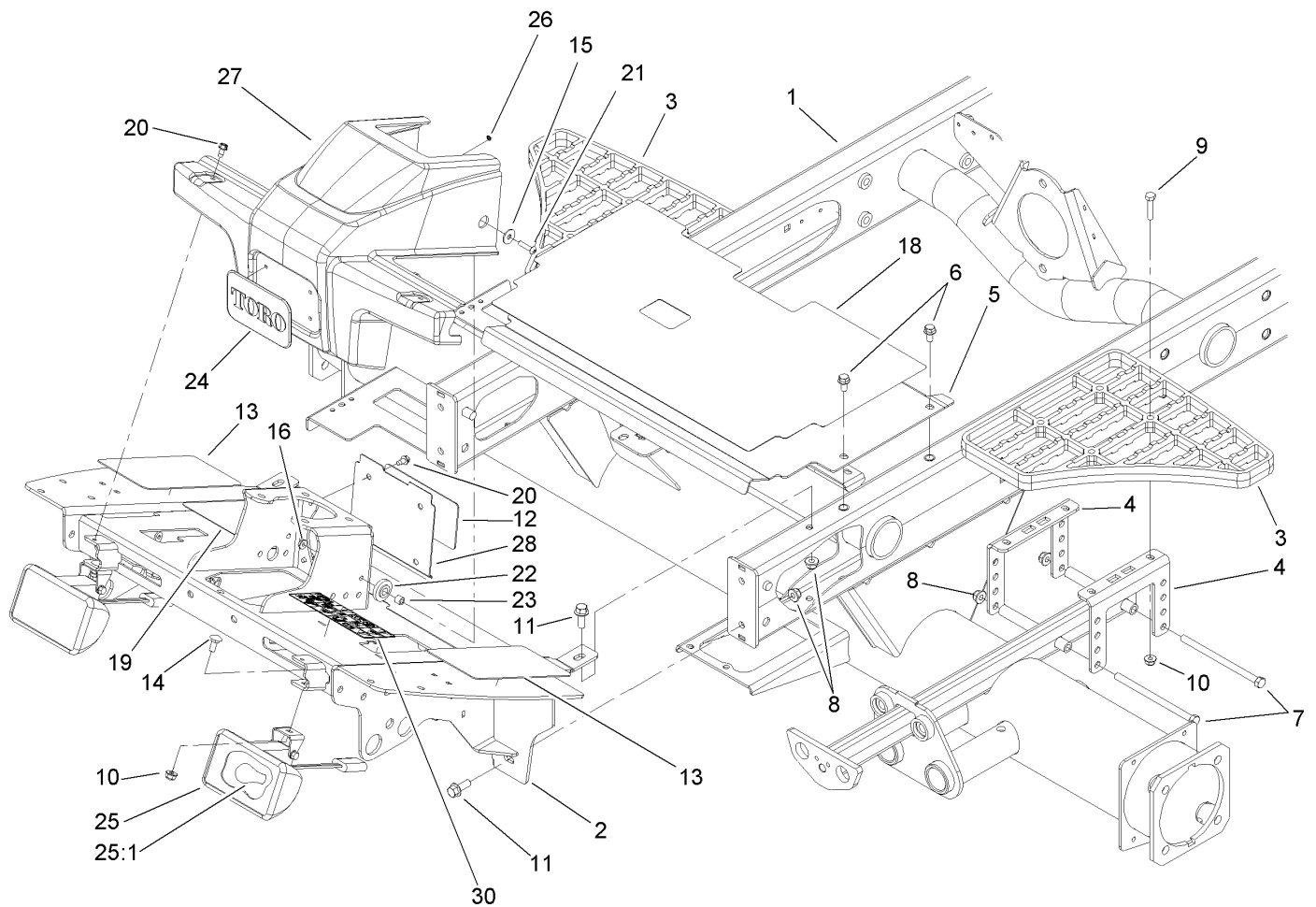
For example, in an illustration, the reference number 2X 37 means that two of the parts identified by reference number 37 are indicated.

Contents

Front Frame Assembly	5
Steering Valve Hydraulic Plumbing Assembly	6
Steering Tilt Column Assembly No. 106-3622	7
Steering Valve Assembly No. 106-3621	8
Traction Pedal Assembly	9
Brake Pedal Assembly	10
Seat and Armrest Assembly	11
Seat Base and Suspension Assembly	12
Mechanical Seat Suspension Assembly No. 110-8851	13
Console and Control Arm Assembly	14
Joystick Bracket Assembly No. 106-4167	16
Hydraulic Tank Assembly	17
Fuel Tank Assembly	18
Front Wheel, Brake and Hydraulic Motor Assembly	19
Hydraulic Motor Assembly No. 114-8857	20
Hydraulic Motor Assembly No. 114-8858	21
LH Brake Assembly No. 110-8872	22
RH Brake Assembly No. 110-8871	23
Driveshaft and Variable Pump Hydraulic Fitting Assembly	24
Driveshaft Assembly No. 108-1641	25
Variable Pump Assembly No. 107-4470	26
Gear Pump Hydraulic Plumbing Assembly	28
Gear Pump Assembly No. 107-4547	29
Engine Mounting and Electrical Assembly	30
Engine Intake and Exhaust Assembly	31
Air Cleaner Assembly No. 106-5277	32
Fuel System Delivery Assembly	33
Radiator and Hydraulic Cooler Assembly	34
Hydraulic Lift Block and Plumbing Assembly	35
Hydraulic Manifold Block Assembly No. 105-7577	36
Reel Control Block Hydraulic Plumbing Assembly	37
Hydraulic Manifold Block Assembly No. 108-1625	38
Rear Reel Drive System Plumbing and Front Hose Assembly	39
Hydraulic Motor Assembly No. 110-1717	40
Front Lift Cylinder and Plumbing Assembly	41
Hydraulic Cylinder Assembly No. 110-9034	42
Hydraulic Cylinder Assembly No. 110-9033	43
Front Lift Arm Assembly	44
Rear Lift Cylinder and Plumbing Assembly	45
Rear Lift Arm Assembly	46
Rear Axle Assembly	47
Tie Rod Assembly No. 110-5334-03	49
Hydraulic Cylinder Assembly No. 110-9035	50
Battery and Bumper Assembly	51
Hood and Body Panel Assembly	52
Crankcase Assembly	53
Oil Pan Assembly	54
Cylinder Head Assembly	55
Gear Case Assembly	56
Cylinder Head Cover Assembly	57
Oil Gauge Assembly	58
Main Bearing Case Assembly	59
Cam Shaft and Idle Gear Assembly	60
Connecting Rod and Piston Assembly	61

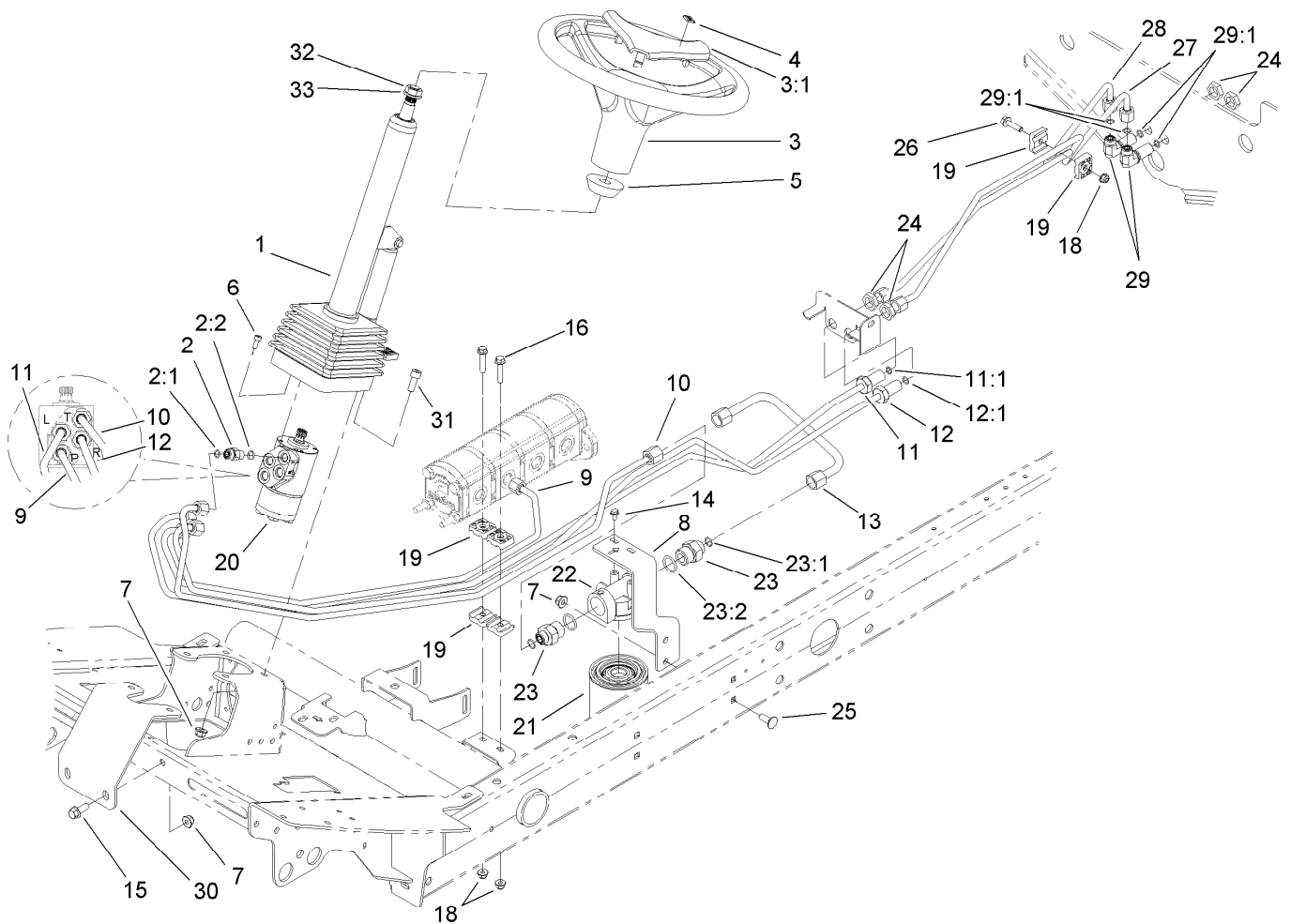
Contents (continued)

Flywheel Assembly	62
Fuel Camshaft and Governor Shaft Assembly.....	63
Idle Apparatus and Solenoid Assembly	64
Injection Pump Assembly	65
Governor Assembly	66
Speed Control Plate Assembly.....	67
Injector Assembly.....	68
Nozzle Holder Component Assembly	69
Alternator Assembly.....	70
Alternator Assembly No. 98-9474	71
Stator Assembly	72
Starter Assembly No. 98-9705.....	73
Thermostat Assembly	74
Water Pump Assembly	75
Valve and Rocker Arm Assembly.....	76
Intake and Exhaust Manifold Assembly	77
Muffler Gasket and Engine Operator Manual.....	78
Attachments and Accessories	79



Front Frame Assembly

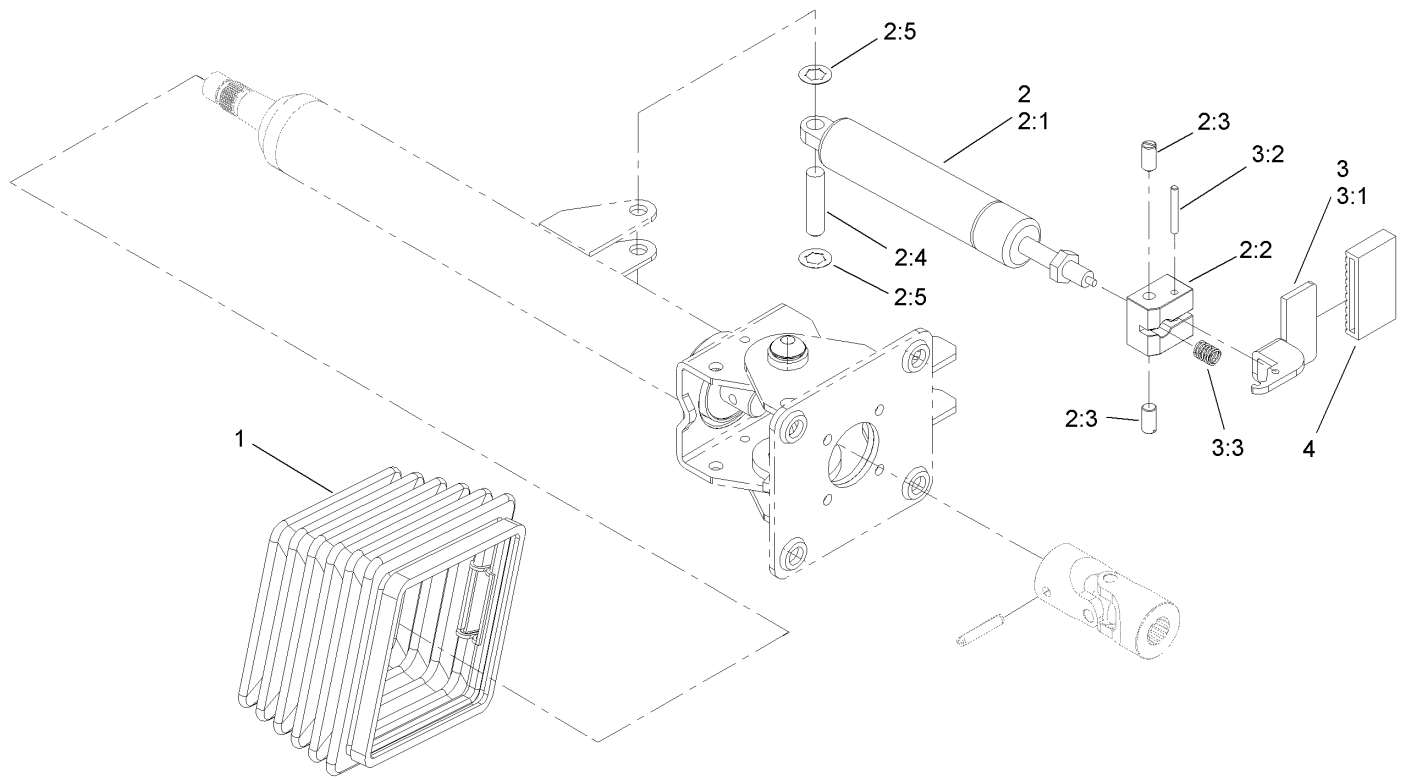
Ref.	Part Number	Qty.	Description	Ref.	Part Number	Qty.	Description
1	110-5312	1	Frame ASM	18	108-1844	1	Tread-Panel, Service
2	107-4501-01	1	Platform ASM	19	108-1845	1	Tread-Board, Floor
3	110-9041	2	Step-Aluminum	20	32104-17	6	Screw-HWH
4	108-1671-01	4	Bracket-Step	21	106-9518	2	Screw-PRH
5	108-1806-01	1	Plate-Floor	22	240-11	2	Bushing-Flange
6	3234-17	4	Screw-HHF	23	66-8010	2	Spacer
7	323-58	4	Bolt-TAP, HH	24	93-6028	1	Plate-Logo
8	104-8301	8	Nut-HF, NI	25	94-9024	2	Lamp ASM
9	322-17	8	Screw-HH	25:1	95-0909	1	Lamp-12 Volt
10	104-8300	10	Nut-HF, NI	26	3254-9	4	Washer-Lock, Internal
11	3234-11	4	Screw-HHF	27	110-0944	1	Shroud-Platform
12	110-0986	1	Decal-Plate, Cover	28	110-0947-03	1	Plate-Cover
13	110-0988	2	Tread-Floor, Side	30	110-8924	1	Decal-Danger
14	3230-1	2	Bolt-CARR	30	110-8986	1	Decal-Danger
15	87-6630	2	Washer-Plain	31	114-8878	1	Decal-Regulatory
16	32128-33	2	Nut-HF				



Steering Valve Hydraulic Plumbing Assembly

Ref.	Part Number	Qty.	Description
1	106-3622	1	Steering Tilt Column ASM
2	340-2	4	Fitting-Straight
2:1	237-22	1	O-Ring
2:2	237-42	1	O-Ring
3	98-1471	1	Wheel-Steering
3:1	98-1468	1	Cover-Wheel, Steering
4	98-1459	1	Decal
5	93-5429	1	Collar-Foam
6	105-2409	4	Screw-HSH
7	104-8301	6	Nut-HF, NI
8	110-0906-01	1	Support-Filter, Oil
9	108-1710	1	Tube ASM
10	108-1711	1	Tube-HYD
11	108-1712	1	Tube ASM
11:1	237-22	1	O-Ring
12	108-1713	1	Tube ASM
12:1	237-22	1	O-Ring
13	108-1714	1	Tube ASM
14	3234-33	2	Screw-HHF
15	3234-11	2	Screw-HHF

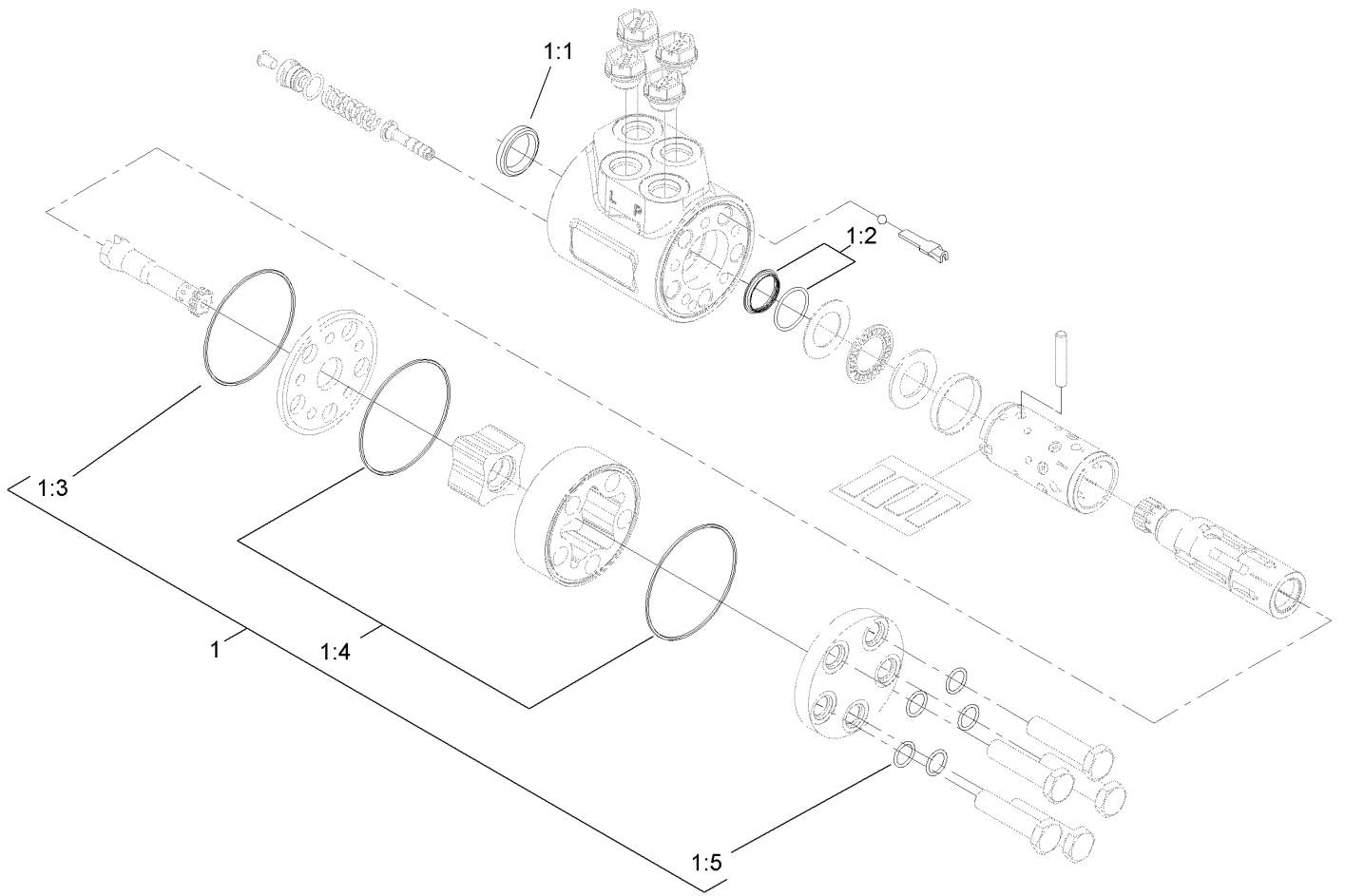
Ref.	Part Number	Qty.	Description
16	3234-36	2	Screw-HHF
18	104-8300	3	Nut-HF, NI
19	56-7973	6	Clamp-Tube
20	106-3621	1	Steering Valve ASM
21	86-3010	1	Filter-Oil
22	92-5821	1	Head-Filter
23	100-4240	2	Fitting-STR
23:1	237-30	1	O-Ring
23:2	237-81	1	O-Ring
24	340-70	4	Nut-Lock
25	3231-27	2	Screw-CARR
26	3234-36	1	Screw-HHF
27	108-7629	1	Tube ASM
28	108-7630	1	Tube ASM
29	340-154	2	Union-Bulkhead
29:1	237-22	2	O-Ring
30	110-8876-01	1	Brace-Column
31	3274-1	4	Screw-HSH
32	3296-33	1	Nut-Lock, NI
33	3256-27	1	Washer-Flat



Steering Tilt Column Assembly No. 106-3622

<i>Ref.</i>	<i>Part Number</i>	<i>Qty.</i>	<i>Description</i>
1	110-6462	1	Bellows-Rubber
2	110-6463	1	Cylinder Service Kit
2:1		1	Cylinder-Gas ●
2:2		1	Block-Pedal ●
2:3		2	Bolt ●
2:4		1	Pin ●
2:5		2	Washer-Lock ●
3	110-6464	1	Pedal Service Kit
3:1		1	Pedal ●
3:2		1	Pin ●
3:3		1	Spring ●
4	110-6465	1	Cover-Pedal

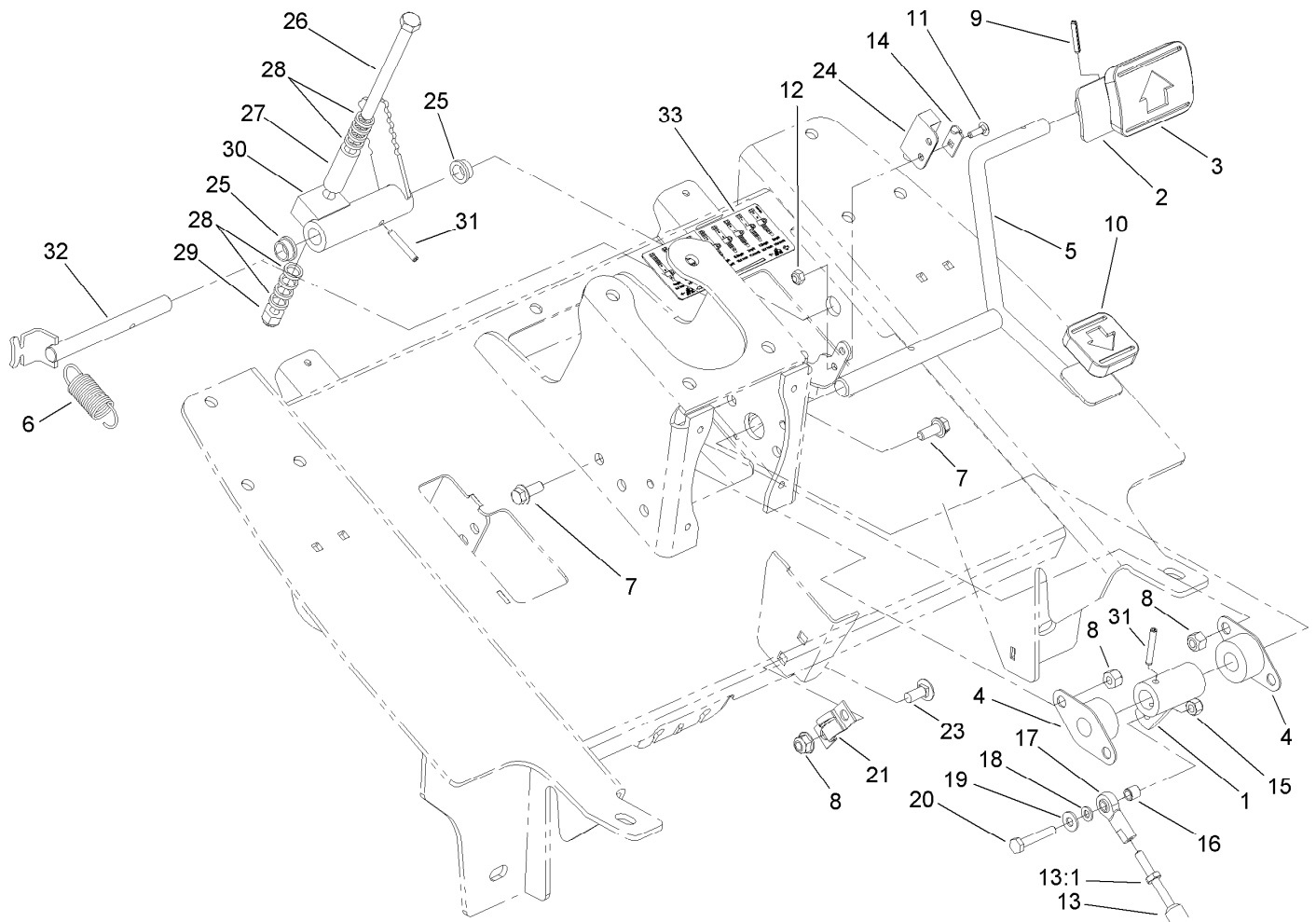
● Not serviced separately



Steering Valve Assembly No. 106-3621

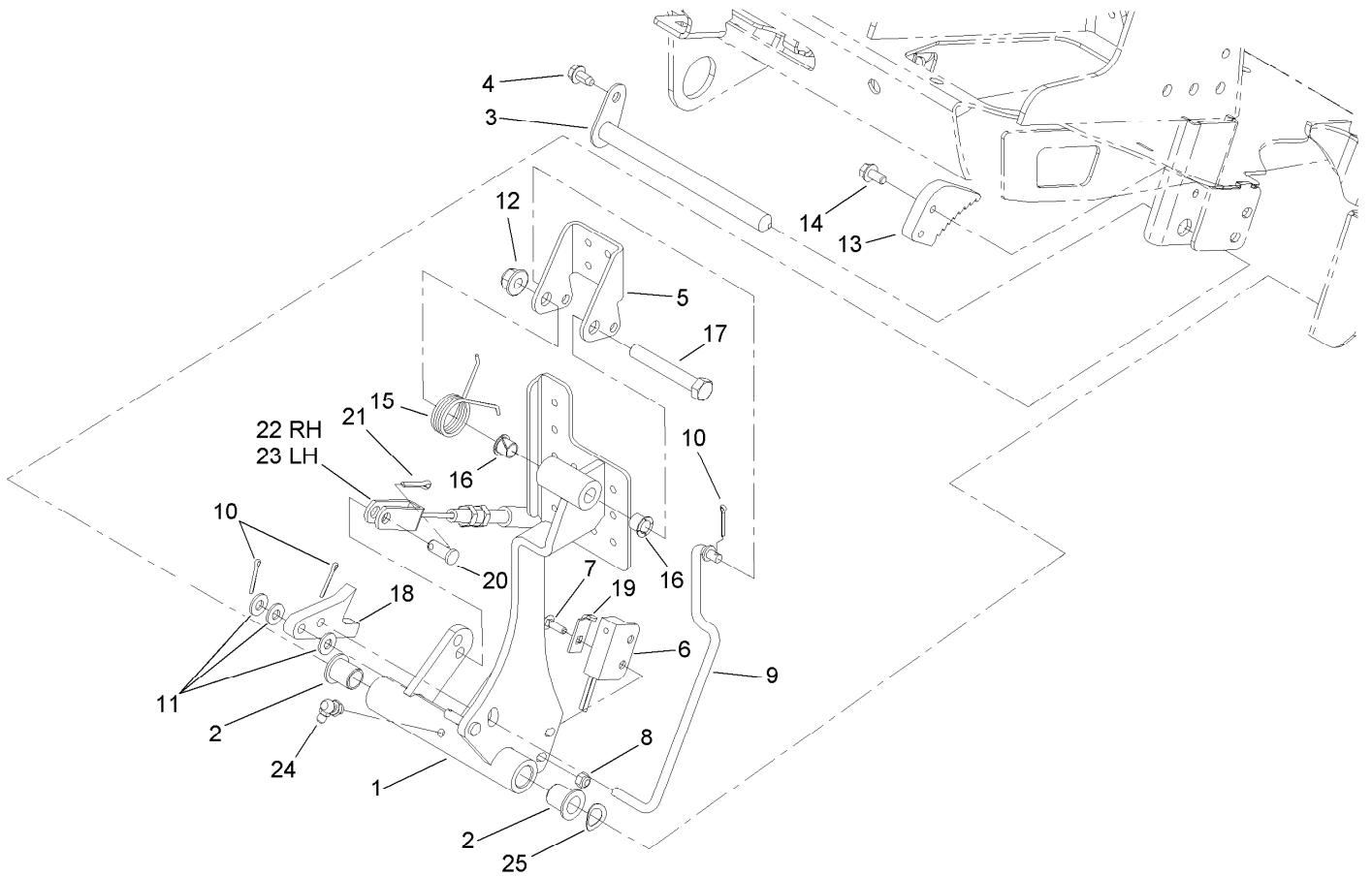
<i>Ref.</i>	<i>Part Number</i>	<i>Qty.</i>	<i>Description</i>
1	106-6716	1	Seal Kit
1:1		1	Ring-Seal, Dust ●
1:2		1	Seal-Shaft ●
1:3		1	O-Ring ●
1:4		2	O-Ring ●
1:5		5	O-Ring ●

● Not serviced separately



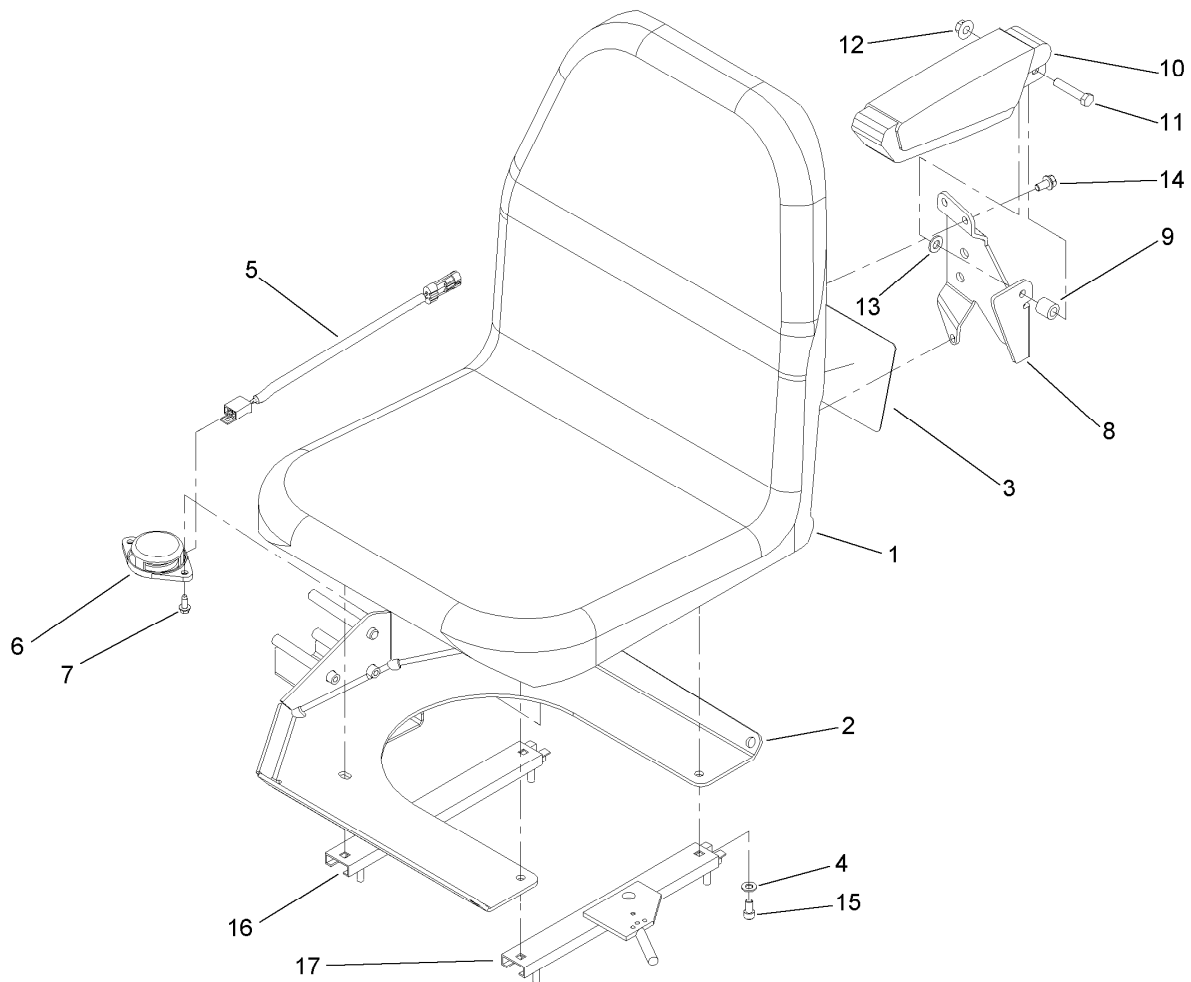
Traction Pedal Assembly

<i>Ref.</i>	<i>Part Number</i>	<i>Qty.</i>	<i>Description</i>	<i>Ref.</i>	<i>Part Number</i>	<i>Qty.</i>	<i>Description</i>
1	106-3719	1	Hub-Pedal, Traction	17	2411-41	1	Rod End-Ball Joint
2	49-6440-03	1	Pedal-Forward	18	33093-00	1	Washer-Flat
3	74-9100	1	Pad-Pedal, Forward	19	3256-22	1	Washer-Flat
4	256-236	2	Bearing-Mount, Flange	20	321-9	1	Screw-HH
5	106-3840	1	Pedal-Traction	21	93-2092	1	Clamp-Cable
6	92-7305	1	Spring-Extension	23	3234-5	2	Screw-HHF
7	3234-5	4	Screw-HHF	24	104-1414	1	Sensor-Proximity, Ferrous (NC)
8	3296-29	6	Nut-Lock, NI	25	256-156	2	Bushing-Flange
9	32121-45	1	Pin-Spring	26	323-17	1	Screw-HH
10	74-9110	1	Pad-Pedal, Reverse	27	95-6448	1	Spacer
11	3229-34	1	Screw-CARR	28	62-4420	8	Washer
12	3296-2	1	Nut-Lock, NI	29	3296-39	1	Nut-Lock, NI
13	107-2084	1	Traction Cable ASM	30	106-3734	1	Stop-Mow
13:1	3220-1	2	Nut-Jam	31	32121-6	2	Pin-Roll, Slotted
14	100-4872	1	Plate-Switch, Neutral	32	106-3731	1	Rod-Pivot
15	3296-42	1	Nut-Lock, NI	33	110-8921	1	Decal-Speed, Mow
16	99-3545	1	Spacer				



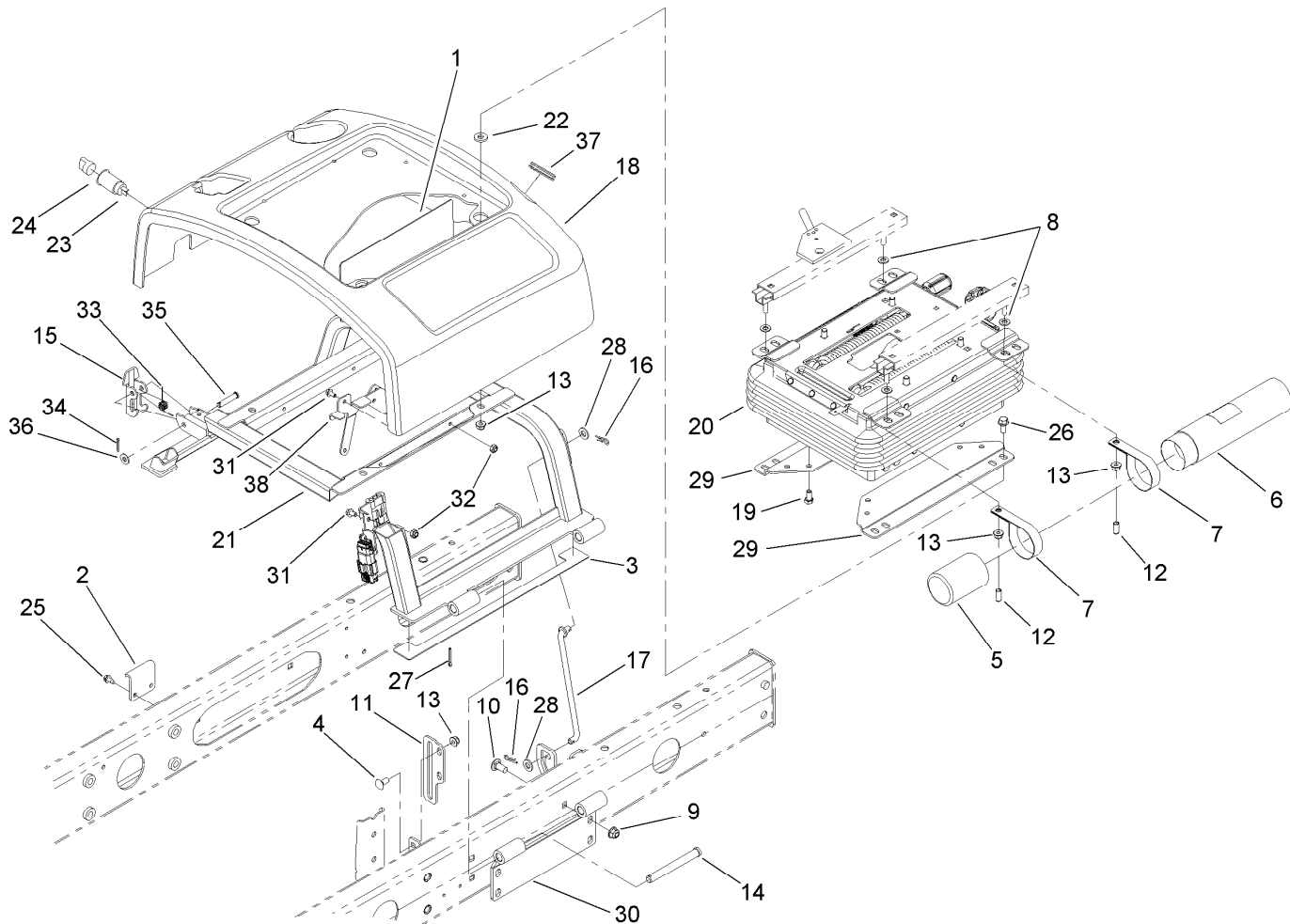
Brake Pedal Assembly

<i>Ref.</i>	<i>Part Number</i>	<i>Qty.</i>	<i>Description</i>	<i>Ref.</i>	<i>Part Number</i>	<i>Qty.</i>	<i>Description</i>
1	106-3712-03	1	Pedal-Brake	14	3234-13	2	Screw-HHF
2	256-155	2	Bushing-Flange	15	99-7140	1	Spring-Torsion
3	104-7179	1	Pivot-Pedal	16	52-2891	2	Bushing-Flanged, Nylon
4	12-3270	1	Screw	17	323-12	1	Screw-HH
5	99-7963-03	1	Pedal-Park	18	106-3713	1	Detent
6	100-1270	1	Switch-Proximity	19	100-4872	1	Plate-Switch, Neutral
7	3229-34	1	Screw-CARR	20	283-62	2	Pin-Clevis
8	3296-2	1	Nut-Lock, NI	21	3272-10	2	Pin-Cotter
9	110-0914	1	Rod-Pawl, Brake	22	110-9036	1	Cable-Brake, RH
10	3272-6	3	Pin-Cotter	23	110-9037	1	Cable-Brake, LH
11	3256-22	3	Washer-Flat	24	302-60	1	Fitting-Grease
12	104-8301	1	Nut-HF, NI	25	110-8982	1	Washer-Spring
13	99-7214	1	Pawl-Brake				



Seat and Armrest Assembly

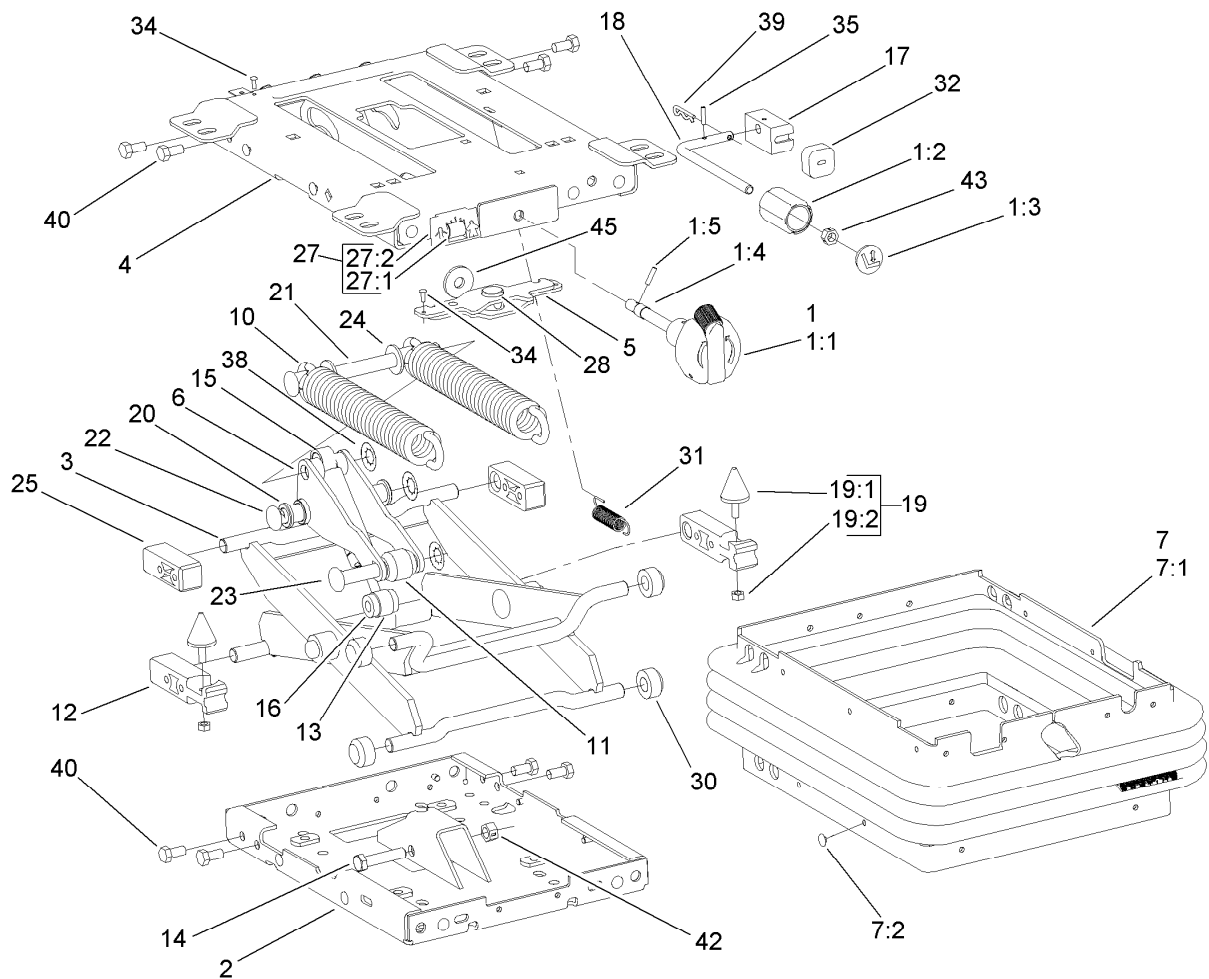
Ref.	Part Number	Qty.	Description
1	104-4620	1	Seat
2	108-7591-03	1	Mount-Seat / Control
3	110-0990	1	Decal-Service
4	3256-23	4	Washer-Plain
5	108-8657	1	Harness-Wire, Seat
6	92-6282	1	Switch-Seat
7	32144-10	2	Screw-HWH
8	69-0760	1	Bracket-Arm, LH
9	92-7301	1	Spacer
10	69-1180	1	Armrest
11	323-9	1	Screw-HH
12	32128-19	1	Nut-HF Lock, Large Flg
13	3256-24	1	Washer-Flat
14	3234-14	3	Screw-HHF
15	3274-12	4	Screw-HSH
16	92-8990	1	Adjuster-Seat, Non-Locking
17	92-8991	1	Adjuster (W/Latch)



Seat Base and Suspension Assembly

Ref.	Part Number	Qty.	Description
1	114-8891	1	Decal-Reel Speed, 7In
2	110-8972	1	Hook-Latch
3	110-5255	2	Bumper-Base, Seat
4	3230-1	2	Bolt-CARR
5	104-7048	1	Cap-Housing
6	104-7050	1	Tube-Manual
7	2412-133	2	Clamp-R
8	3256-23	4	Washer-Plain
9	104-8301	4	Nut-HF, NI
10	3231-27	4	Screw-CARR
11	108-7584-01	1	Plate-Guide, Rod
12	94-2782	4	Cap-Wire, Lite
13	104-8300	10	Nut-HF, NI
14	93-5343	2	Pin-Clevis
15	110-8971	1	Latch
16	3290-307	4	Pin-Cotter
17	98-0917	2	Rod-Prop
18	108-1757	1	Cover-Seatbase
19	48-7680	4	Screw-HH
20	110-8851	1	Mechanical Suspension ASM

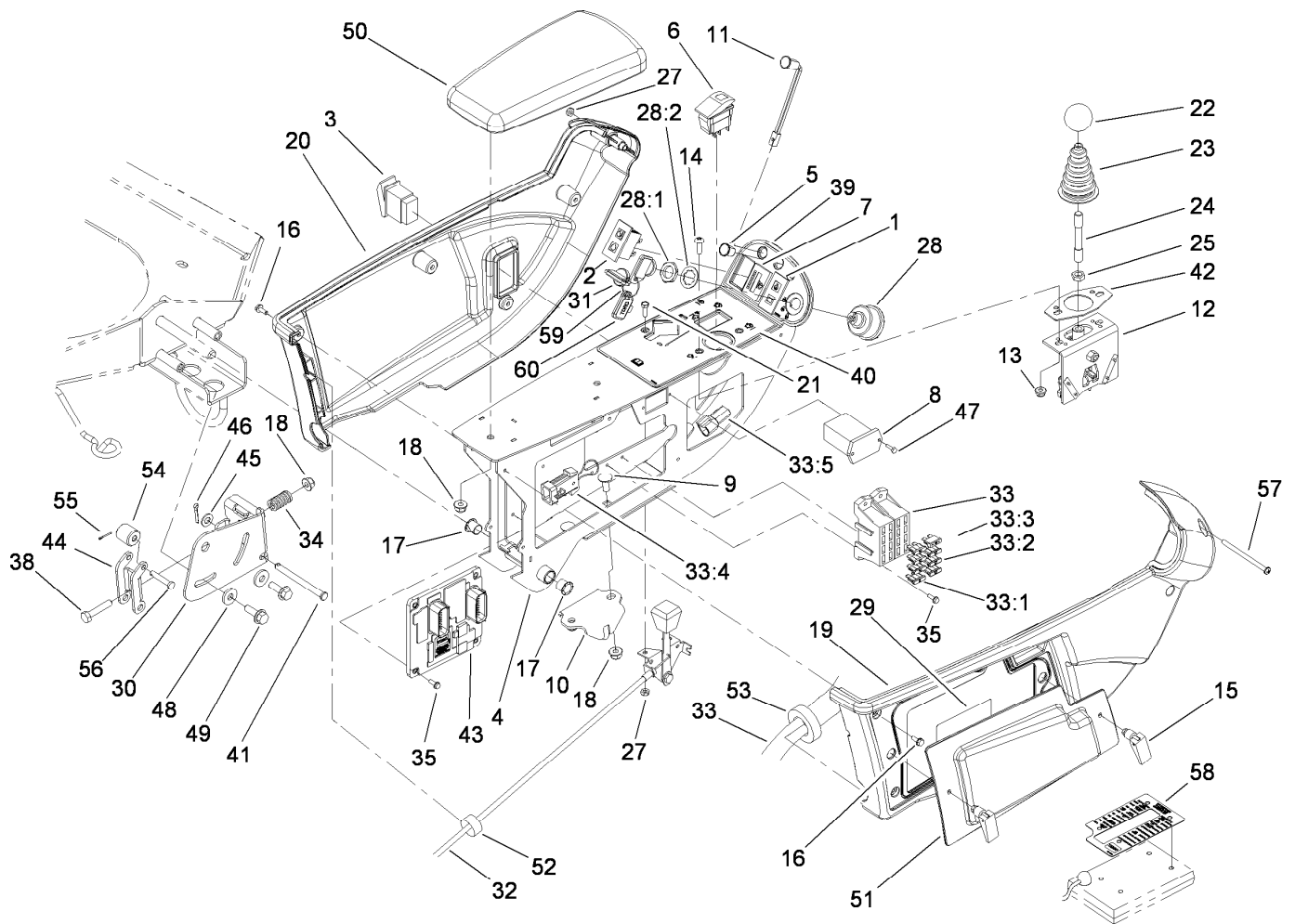
Ref.	Part Number	Qty.	Description
21	108-7577-03	1	Seat Base
22	71-9310	4	Spacer
23	99-7411	1	Point-Power
24	99-7416	1	Cap
25	32104-17	2	Screw-HWH
26	3234-17	4	Screw-HHF
27	3272-11	2	Pin-Cotter
28	3256-24	4	Washer-Flat
29	108-6590-03	2	Bracket-Seat, Lower
30	108-7582-03	1	Plate-Pivot
31	3234-13	2	Screw-HHF
32	3296-16	2	Nut-Lock, NI
33	104-4821	1	Spring-Torsion
34	3272-6	1	Pin-Cotter
35	94-3829	1	Pin-Clevis
36	3256-2	1	Washer-Flat
37	240-12	1	Grommet-Rubber
38	110-9027	1	Bracket-Harness



Mechanical Seat Suspension Assembly No. 110-8851

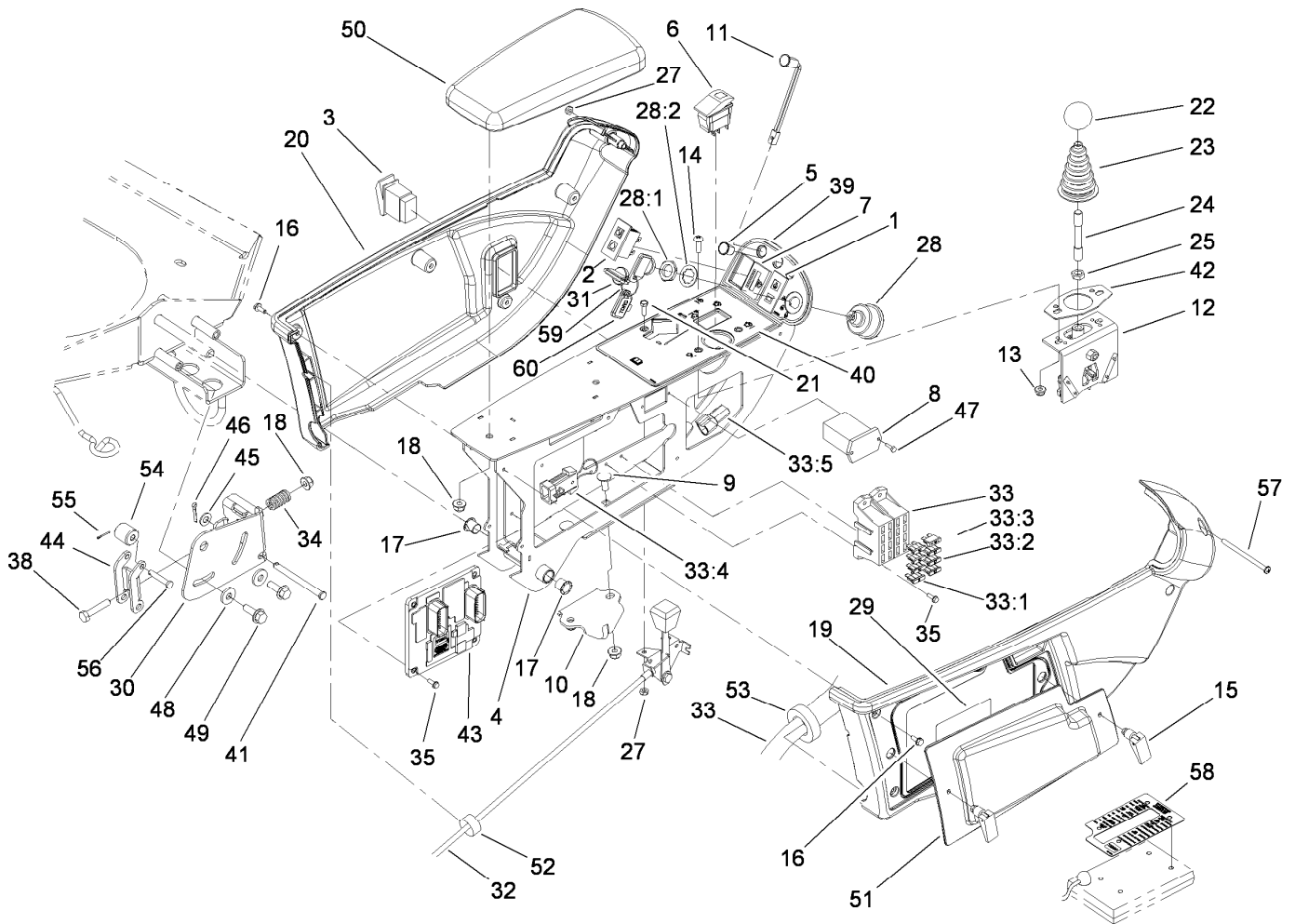
Ref.	Part Number	Qty.	Description	Ref.	Part Number	Qty.	Description
1	108-4583	1	Knob Service Kit	19	108-4585	2	Bumper Service Kit
1:1		1	Knob-Weight, Adjust ●	19:1		2	Bumper-Stop ●
1:2		1	Knob-Adjust, Height ●	19:2		2	Nut ●
1:3		1	Cap-Knob, Height Adjust ●	20	108-9622	2	Tube
1:4		1	Spacer-Adjust, Weight ●	21		1	Shaft-Spring ●
1:5		1	Pin-Roll ●	22		1	Pin-Pivot ●
2		1	Housing-Lower ●	23		1	Pin-Roller ●
3		1	Scissors-Compact ●	24		2	Bushing-Spring ●
4		1	Housing-Upper ●	25		2	Block-Shaft ●
5		1	Adjuster-Weight ●	27	108-4584	1	Weight Indicator Service Kit
6		1	Drive Arm ●	27:1		1	Tape-Weight Adjust ●
7	112-0164	1	Boot Kit	27:2		1	Guide-Weight Adjust ●
7:1		1	Boot-Suspension ●	28		1	Nut-Adjust, Weight ●
7:2	108-9641	21	Clip-Plug	30	108-9632	4	Roller
10		2	Spring-Extension ●	31	108-9633	1	Spring-Extension
11		1	Guide-Roller ●	32	108-9634	1	Bumper
12		2	Block-Scissors Pivot, Side Mount ●	34	3269-16	2	Rivet
13	108-9614	1	Damper	35		1	Pin-Roll ●
14		1	Bolt-Shock, Lower ●	38		3	Retainer ●
15		2	Bushing-Shock, Upper ●	39	3272-9	1	Pin-Cotter
16		2	Bushing-Shock, Lower ●	40		8	Screw-HWHTF ●
17		1	Block-Bumper, Up Stop ●	42	32152-2	1	Nut-Lock, Cone
18		1	Rod-Adjust, Height ●	43	32152-1	1	Nut-Lock, Cone
				45	3256-24	1	Washer-Flat

● Not serviced separately



Console and Control Arm Assembly

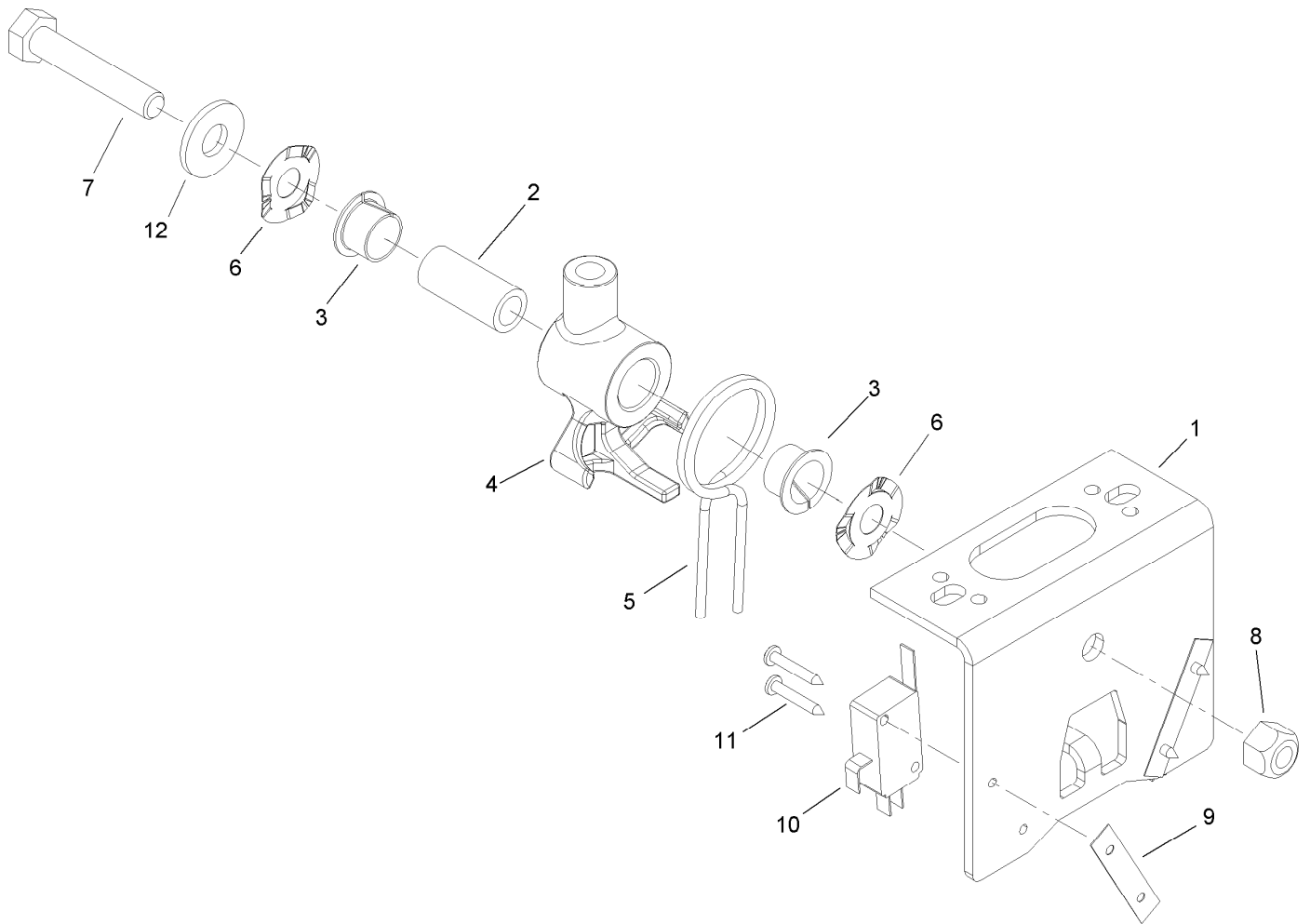
Ref.	Part Number	Qty.	Description	Ref.	Part Number	Qty.	Description
1	100-8070	1	Lamp-Warning	28:2	3254-5	1	Washer-Lock
2	100-8071	1	Lamp-Warning	29	110-0989	1	Decal-Fuse
3	95-8999	1	Switch	30	110-5313-03	1	Bracket-Retainer
4	108-7599-03	1	Control Arm ASM	31	63-8360	2	Key-Ignition
5	2410-64	1	Plug-Button	32	114-8886	1	Control-Throttle
6	105-4232	1	Switch	33	115-1917	1	Harness-Wire, Seat
7	110-0941	1	Gauge-Temperature	33:1	94-6710	1	Fuse-2 Amp
8	75-6820	1	Hourmeter	33:2	218-578	6	Fuse-Blade, 10 Amp
9	3230-23	2	Bolt-CARR	33:3	109355	1	Fuse-Blade, 15 Amp
10	110-5340	1	Latch	33:4	85-4650	1	Connector
11	95-7652	1	Light-Indicator	33:5	32180-043	1	Resistor-120 Ohm
12	106-4167	1	Joystick Bracket ASM	34	110-5331	1	Spring-Compression
13	104-7201	2	Nut-HF, NI	35	32144-87	9	Screw-HWHTF
14	3258-166	2	Screw-PRH	38	322-7	1	Screw-HH
15	74-5950	2	Latch-Swell	39	110-0984	1	Decal-Console
16	32144-112	10	Screw-HWH	40	110-0998	1	Decal-Panel, Control
17	256-257	2	Bushing-Nyliner	41	283-88	1	Pin-Clevis
18	104-8300	4	Nut-HF, NI	42	112-9181	1	Plate-Boot
19	108-7605	1	Cover-RH	43	110-0650	1	Module-Control, Electronic
20	108-7604	1	Cover-LH	44	110-5314	1	Latch
21	3290-134	2	Screw	45	3256-23	1	Washer-Plain
22	233-42	1	Knob	46	3272-10	1	Pin-Cotter
23	93-5961	1	Boot-Lever	47	32144-18	2	Screw-HWH
24	105-8288	1	Rod-Joystick	48	4-2390	2	Washer-Flat
25	3218-3	1	Nut-Jam	49	3234-29	2	Screw-HHF
27	3296-12	2	Nut-Lock, NI	50	108-7602	1	Rest-Arm
28	104-2541	1	Ignition Switch ASM	51	108-7616	1	Panel-Access
28:1	218-461	1	Nut-HH	52	110-8911	1	Seal-Foam



Console and Control Arm Assembly (continued)

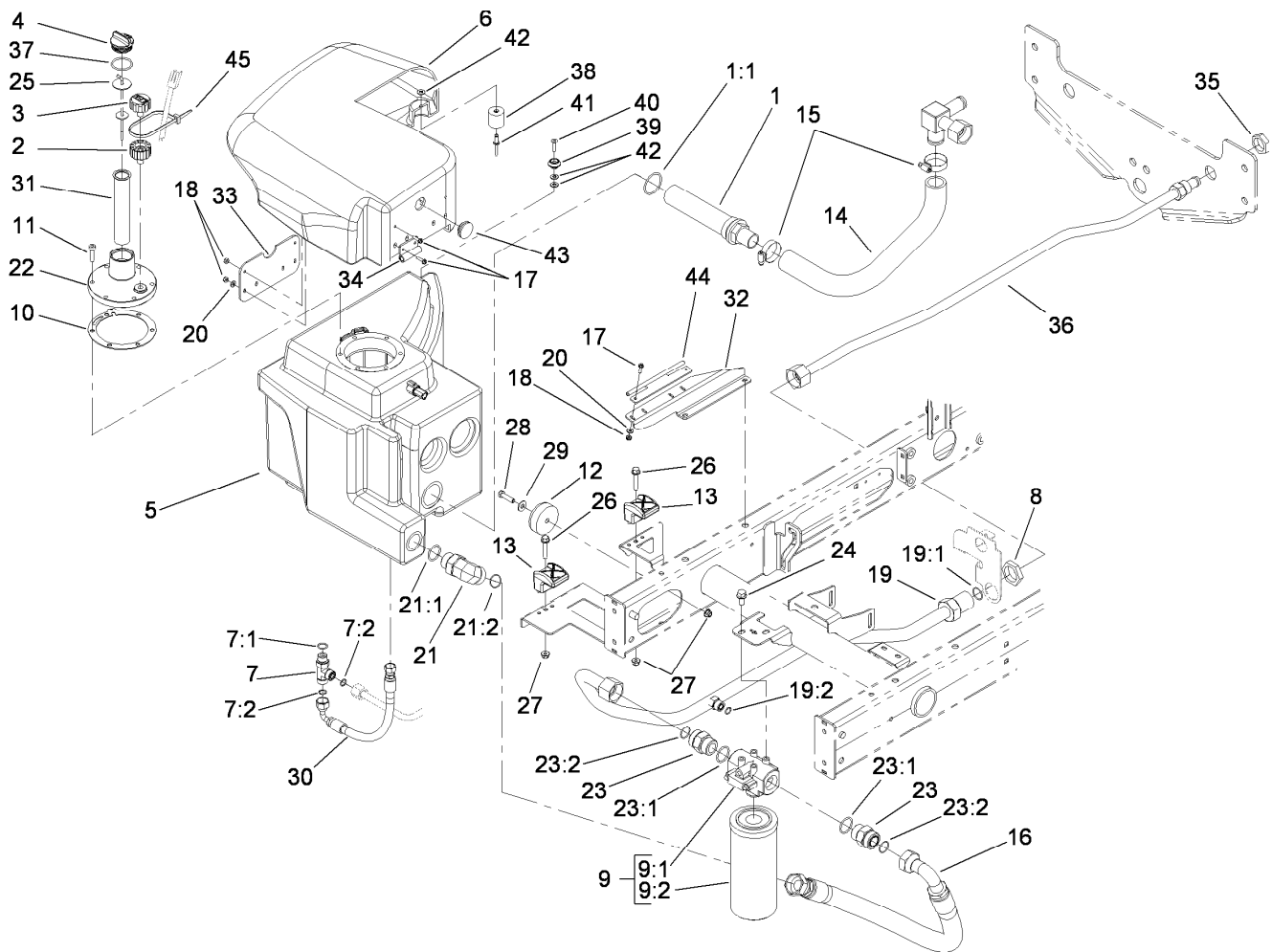
Ref.	Part Number	Qty.	Description
53	110-8912	1	Seal-Foam
54	110-8856	1	Spacer
55	3272-1	1	Pin-Cotter
56	283-73	1	Pin-Clevis

Ref.	Part Number	Qty.	Description
57	95-6354	1	Screw
58	110-0666	1	Overlay-Diagnostics
59	98-9321	1	Ring-Key
60	99-8970	1	Key-Latch, Hood



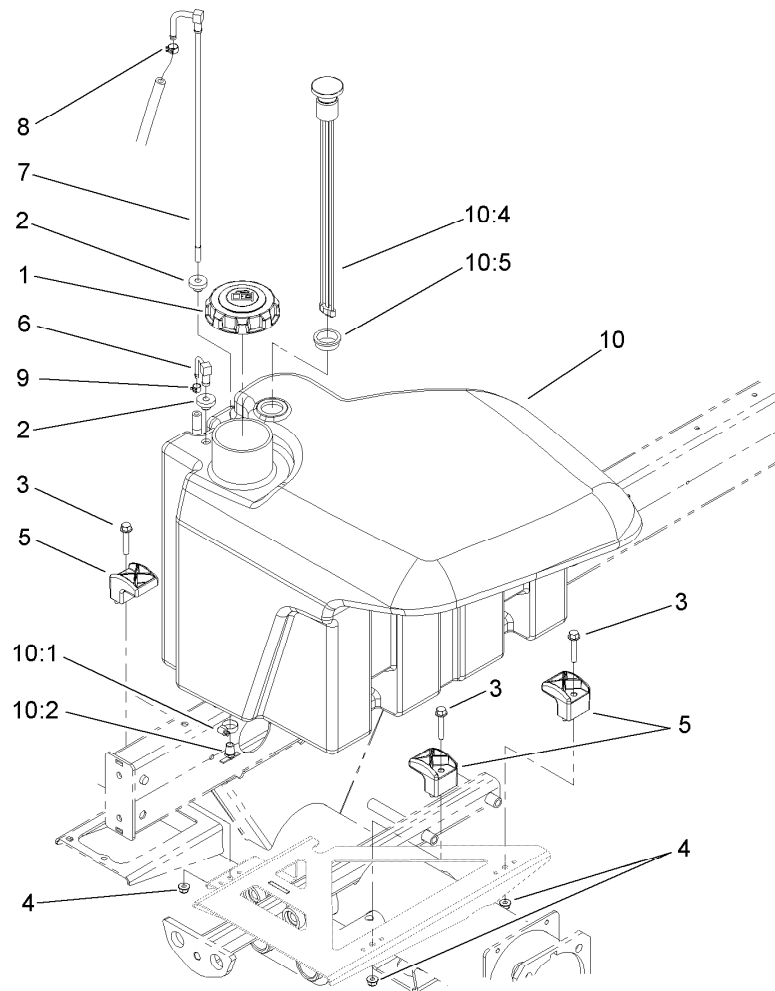
Joystick Bracket Assembly No. 106-4167

<i>Ref.</i>	<i>Part Number</i>	<i>Qty.</i>	<i>Description</i>
1	106-4168-03	1	Bracket-Joystick
2	106-4192	1	Spacer
3	93-5547	2	Bushing-Nylon
4	105-7507	1	Hub-Pivot, Joystick
5	105-8289	1	Spring-Torsion
6	106-4193	2	Washer-Finger, Spring
7	322-9	1	Screw-HH
8	3296-29	1	Nut-Lock, NI
9	3290-354	2	Nut-Speed
10	108-6496	2	Switch (W/Boot)
11	95-3003	4	Screw-PPHTF
12	3256-3	1	Washer-Flat



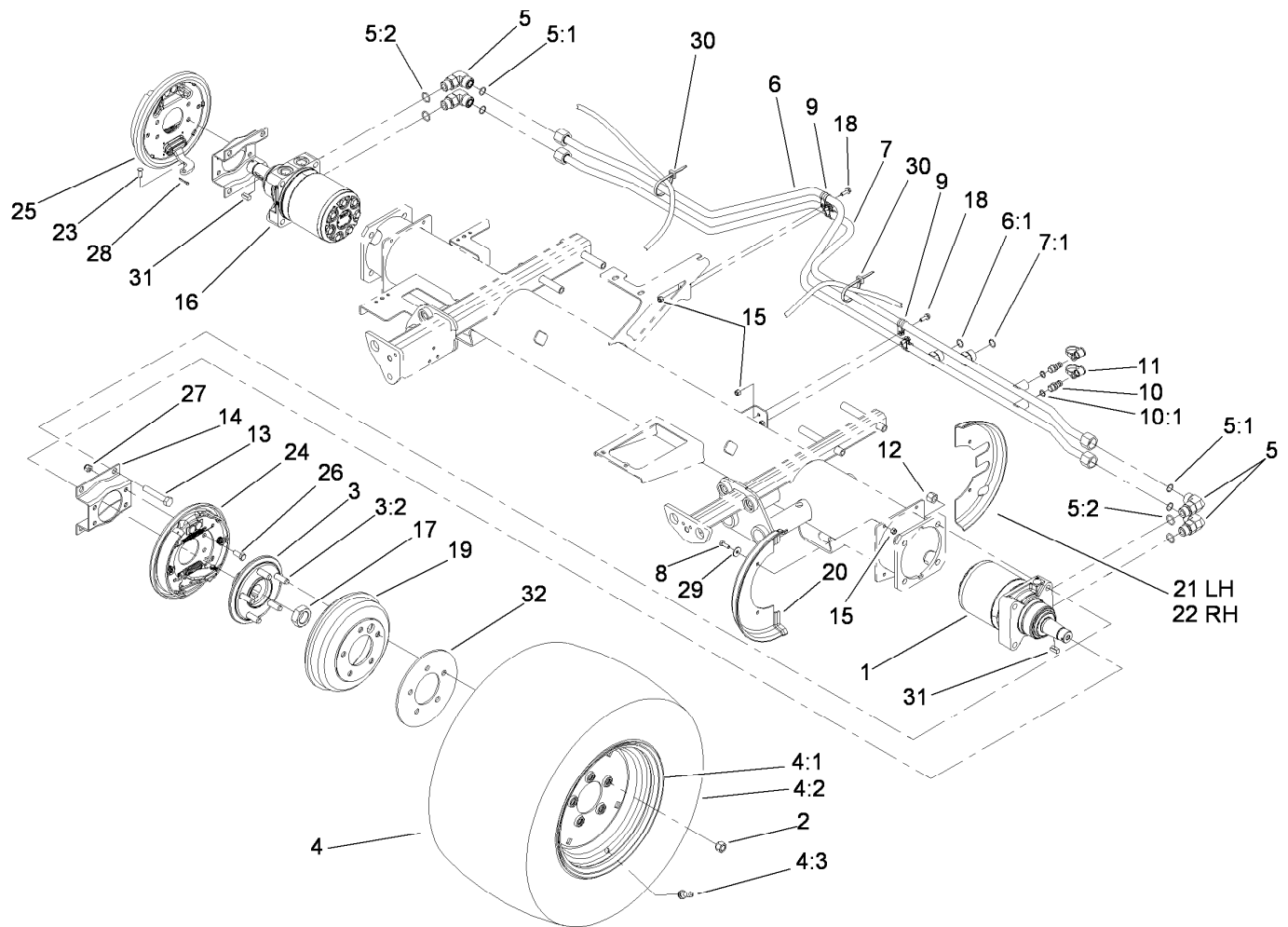
Hydraulic Tank Assembly

Ref.	Part Number	Qty.	Description	Ref.	Part Number	Qty.	Description
1	105-0131	1	Strainer-Tank, Oil	21:1	237-146	1	O-Ring
1:1	340-136	1	O-Ring	21:2	340-65	1	O-Ring
2	92-8020	1	Adapter-Breather	22	108-7641	1	Cap-Tank, HYD
3	68-6150	1	Breather	23	104-3797	2	Fitting-Straight
4	93-7498	1	Plug-Plastic	23:1	237-146	1	O-Ring
5	107-4513	1	Tank-Oil	23:2	340-65	1	O-Ring
6	107-4545	1	Cover-Tank	24	3234-1	2	Screw-HHF
7	340-109	1	Fitting-Tee	25	94-9411	1	Dipstick
7:1	237-79	1	O-Ring	26	94-5780	2	Screw-HWH
7:2	237-30	2	O-Ring	27	104-8300	3	Nut-HF, NI
8	340-128	1	Nut-Bulkhead	28	322-6	1	Screw-HH
9	98-3923	1	Oil Filter ASM	29	3256-3	1	Washer-Flat
9:1	104-0080	1	Filter Head ASM	30	108-8428	1	HYD Hose ASM
9:2	94-2621	1	Element-Filter	31	61-2790	1	Filter-Screen
10	94-2660	1	Gasket-Flange	32	108-1606-03	1	Bracket-Hinge
11	94-3559	6	Screw-HSH	33	108-1607-03	1	Plate-Hinge
12	108-1605	1	Bumper-Recess	34	110-8925	2	Hinge ASM
13	107-4543	2	Clamp	35	340-126	1	Nut-Bulkhead
14	108-1685	1	Hose-Formed	36	108-1691	1	Tube ASM
15	2412-111	2	Clamp-Hose, W/Liner	37	237-101	1	O-Ring
16	108-1689	1	Hose-HYD	38	99-7830	1	Receptical-Rubber
17	32105-13	8	Screw-HWH	39	99-7833	1	Post-Holding
18	3296-2	8	Nut-Lock, NI	40	32108-5	1	Screw-FH
19	108-1699	1	Tube ASM	41	3290-412	1	Rivet-Blind
19:1	340-65	1	O-Ring	42	3256-22	3	Washer-Flat
19:2	237-30	1	O-Ring	43	110-5333	1	Grommet-Plug
20	3256-14	6	Washer-Flat	44	110-8928	1	Pin ASM
21	340-129	1	Fitting-Elbow, 90 DEG	45	3290-378	1	Tie-Cable



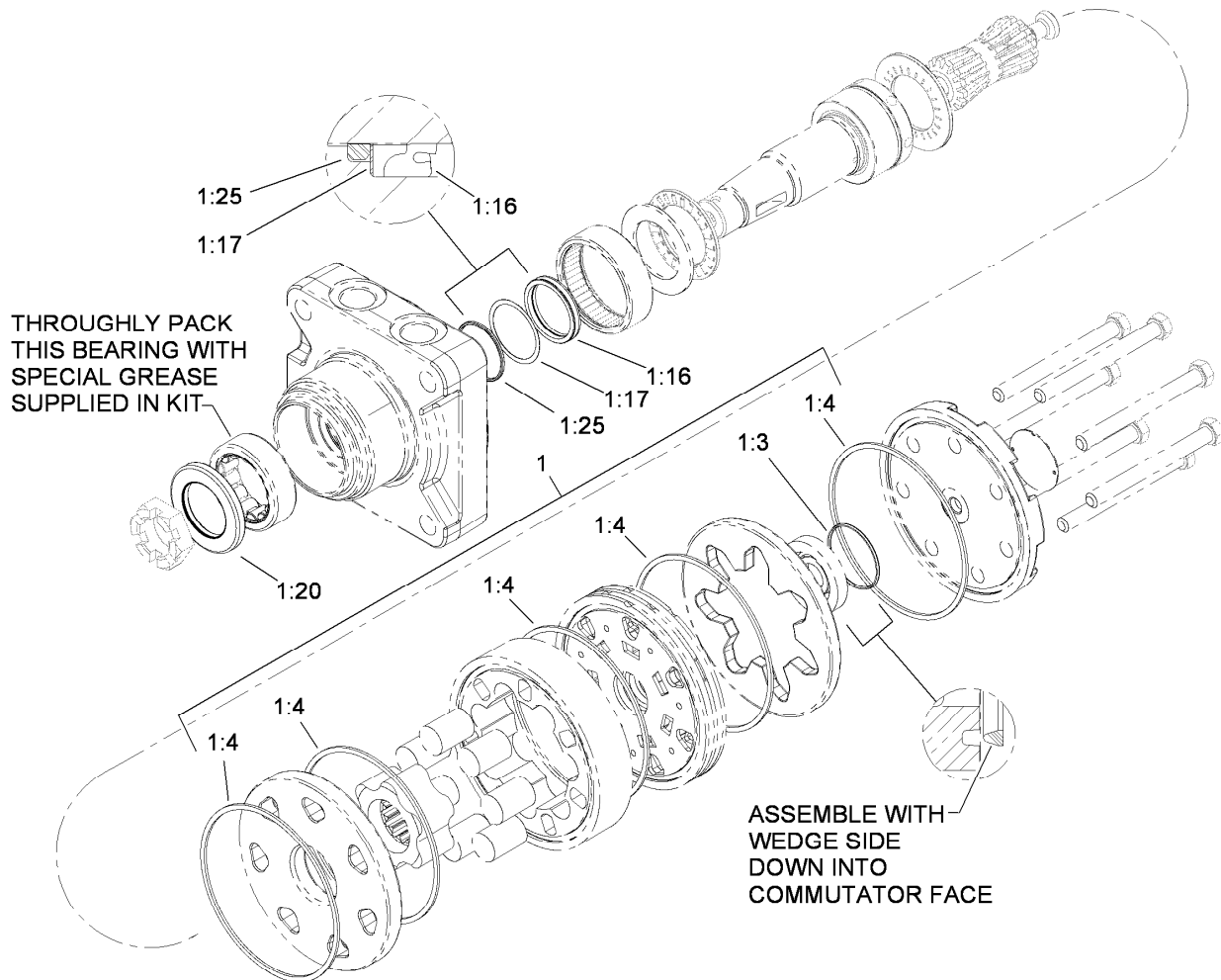
Fuel Tank Assembly

<i>Ref.</i>	<i>Part Number</i>	<i>Qty.</i>	<i>Description</i>
1	114-5062	1	Cap-Biodiesel
2	46-6560	2	Bushing
3	94-5780	3	Screw-HWH
4	104-8300	3	Nut-HF, NI
5	107-4543	3	Clamp
6	108-1643	1	Fitting-Return
7	110-9031	1	Fitting-Suction
8	92-2379	1	Clamp-Hose
9	2412-146	1	Clamp-Hose
10	108-1842	1	Fuel Tank ASM
10:1	2412-36	1	Clamp-Hose
10:2	304-46	1	Draincock
10:4	108-1640	1	Gauge-Fuel
10:5	95-8972	1	Grommet



Front Wheel, Brake and Hydraulic Motor Assembly

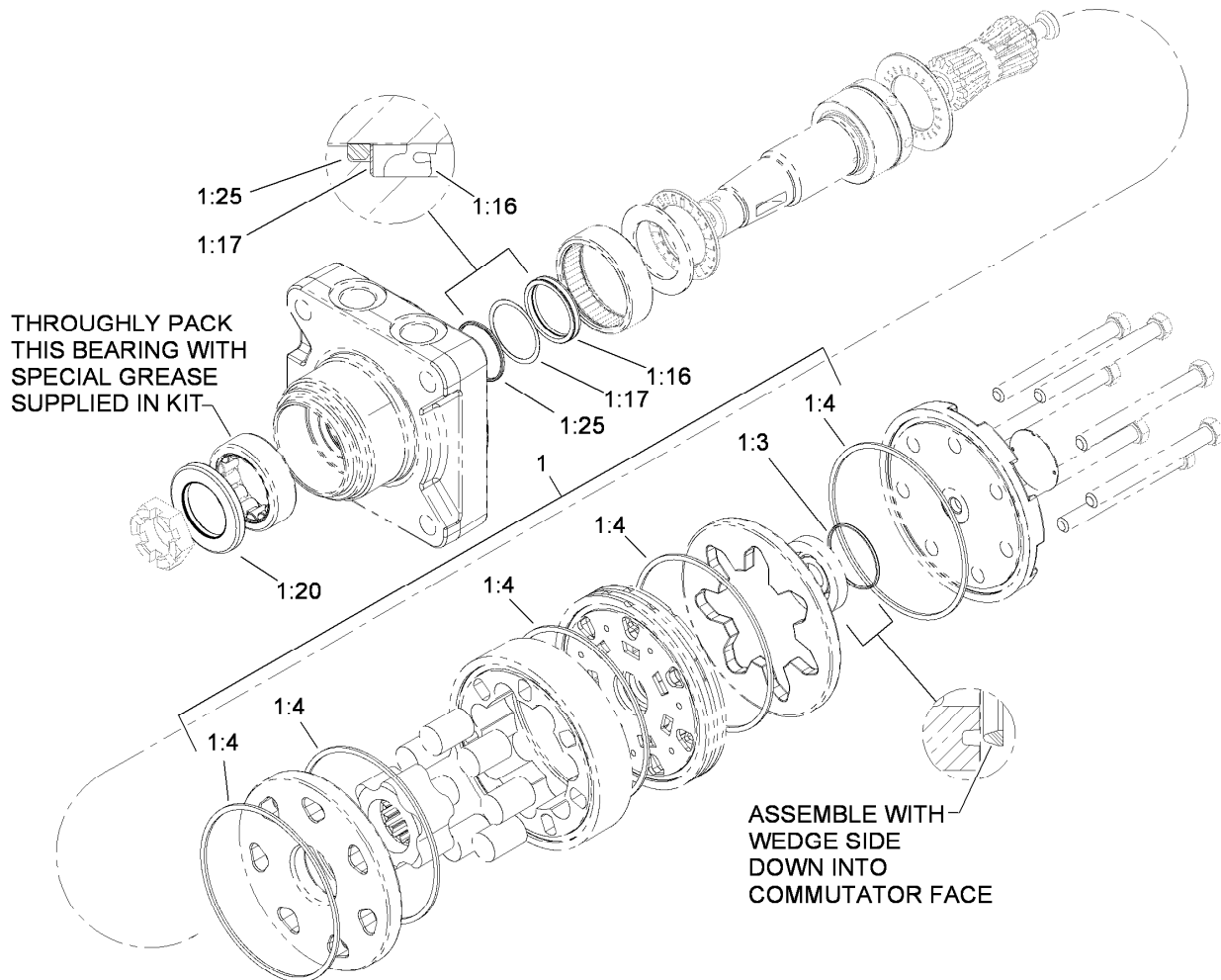
Ref.	Part Number	Qty.	Description	Ref.	Part Number	Qty.	Description
1	114-8857	1	HYD Motor ASM	13	325-11	8	Screw-HH
2	242-50	10	Nut-Lug	14	110-5343-03	2	Bracket-Brake
3	114-8876	2	Hub ASM	15	3296-42	12	Nut-Lock, NI
3:2	10-6830	5	Stud-Type, Drive	16	114-8858	1	HYD Motor ASM
4	108-1603	2	Wheel And Tire ASM	17	107-9319	2	Nut-Hex
4:1	106-3842	1	Rim	18	3234-4	4	Screw-HHF
4:2	98-2373	1	Tire-Ultra Trac	19	114-8864	2	Drum-Brake
4:3	232-27	1	Stem-Valve	20	110-0950	2	Shield-Wheel, Front
5	340-17	4	Fitting-Elbow, 90 DEG	21	110-0951	1	Shield-Wheel, Rear (LH)
5:1	237-65	1	O-Ring	22	110-8878	1	Shield-Wheel, Rear (RH)
5:2	237-80	1	O-Ring	23	283-62	2	Pin-Clevis
6	108-7632	1	Tube ASM	24	110-8872	1	LH Brake ASM
6:1	237-65	1	O-Ring	25	110-8871	1	RH Brake ASM
7	108-7633	1	Tube ASM	26	323-5	8	Screw-HH
7:1	237-65	1	O-Ring	27	3296-39	8	Nut-Lock, NI
8	321-4	8	Screw-HH	28	3272-10	2	Pin-Cotter
9	2412-134	4	Clamp-R	29	3256-67	8	Washer
10	59-7410	2	Fitting-Diagnostic	30	3290-378	2	Tie-Cable
10:1	237-42	1	O-Ring	31	114-8863	2	Key-Square
11	354-79	2	Cap-Dust	32	114-8892-03	2	Plate-Rim
12	3296-23	8	Nut-Lock, NI				



Hydraulic Motor Assembly No. 114-8857

<i>Ref.</i>	<i>Part Number</i>	<i>Qty.</i>	<i>Description</i>
1	110-8896	1	Seal Kit
1:3		1	Seal-Commutator, Vespel ●
1:4		6	Seal-Body, Buna ●
1:16		1	Seal-Shaft ●
1:17		1	Washer-Back Up ●
1:20		1	Seal-Dirt/Water ●
1:25		1	Ring-Back Up ●

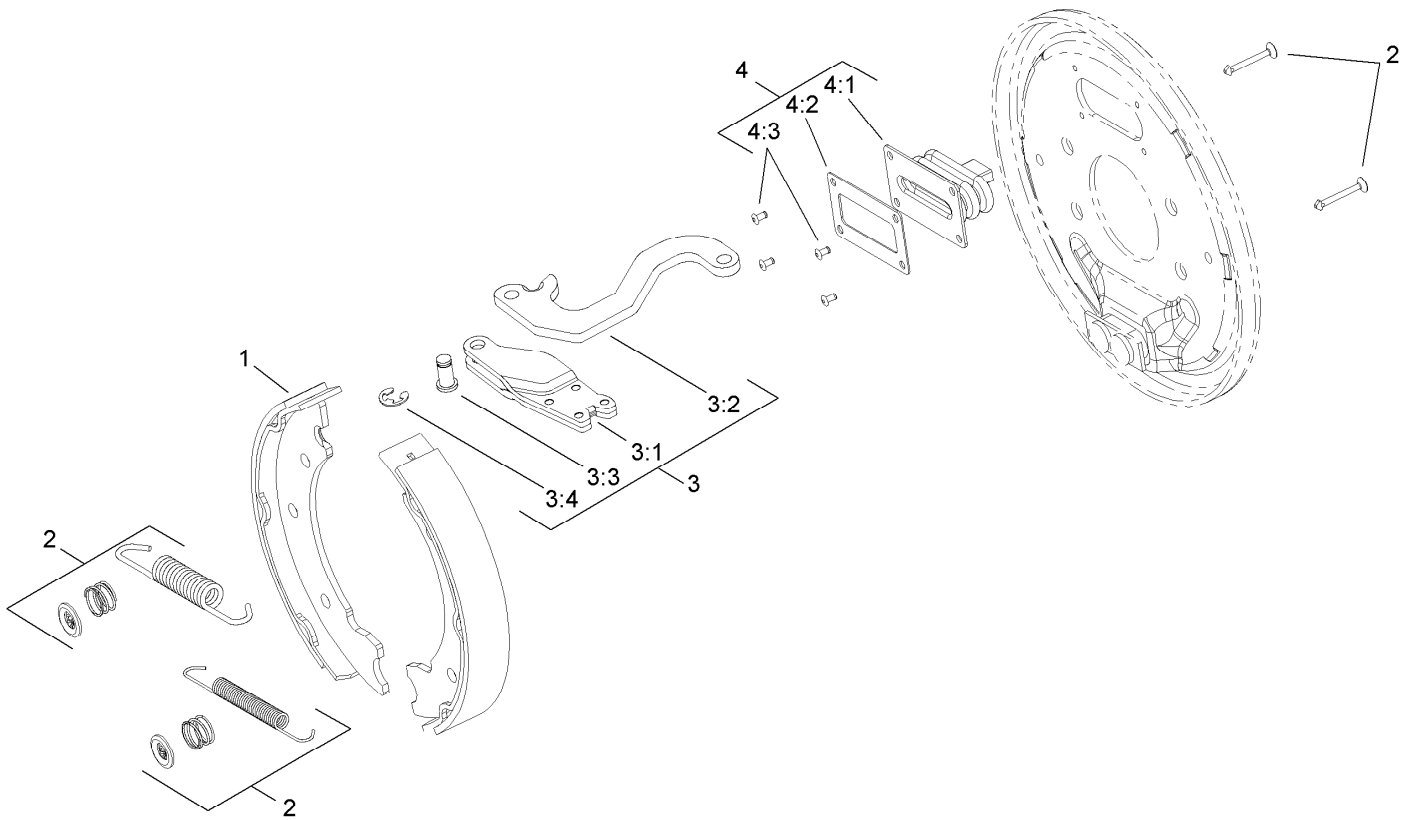
● Not serviced separately



Hydraulic Motor Assembly No. 114-8858

<i>Ref.</i>	<i>Part Number</i>	<i>Qty.</i>	<i>Description</i>
1	110-8896	1	Seal Kit
1:3		1	Seal-Commutator, Vespel ●
1:4		6	Seal-Body, Buna ●
1:16		1	Seal-Shaft ●
1:17		1	Washer-Back Up ●
1:20		1	Seal-Dirt/Water ●
1:25		1	Ring-Back Up ●

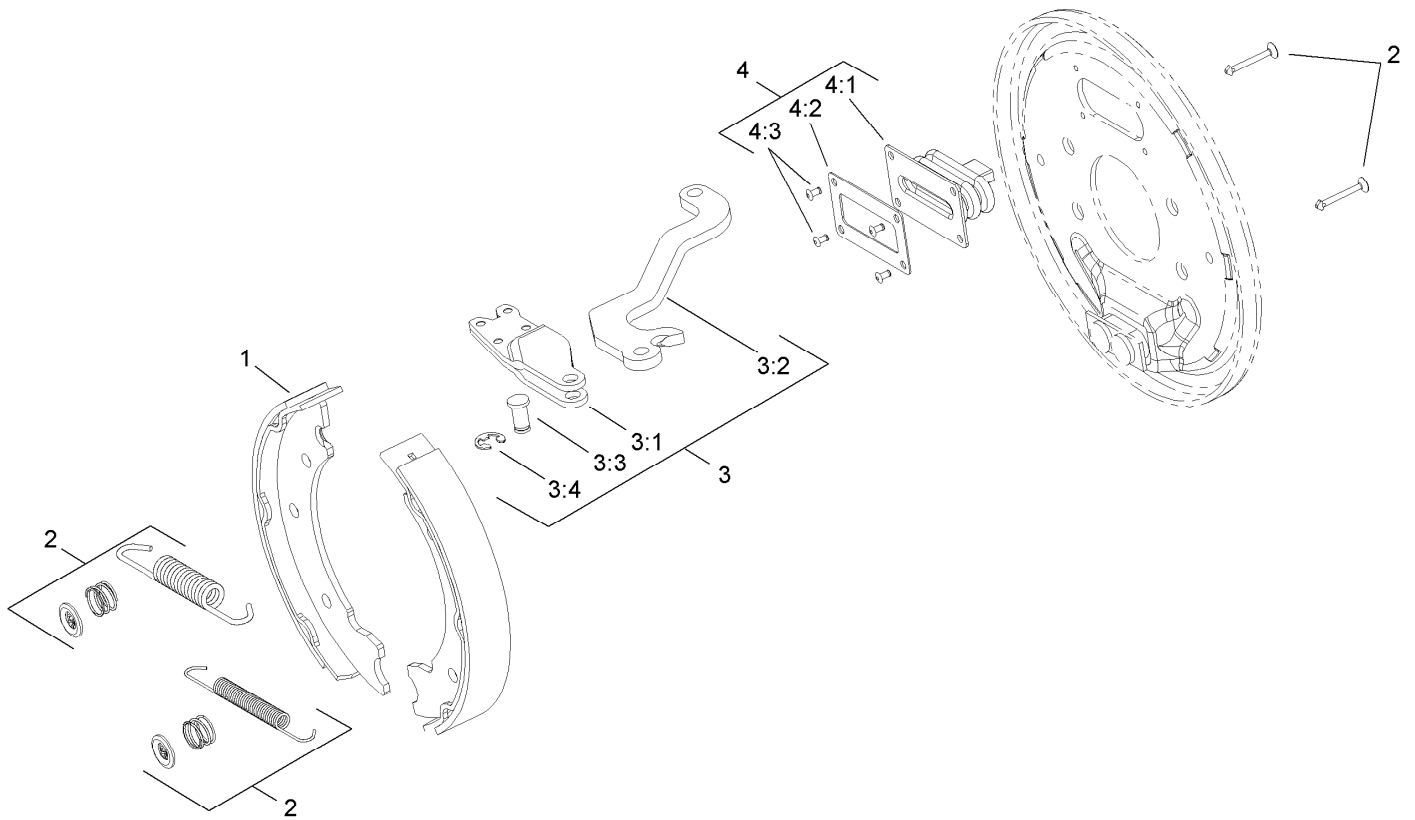
● Not serviced separately



LH Brake Assembly No. 110-8872

Ref.	Part Number	Qty.	Description
1	108-6981	1	Brake Shoe Kit
2	108-6983	1	Brake Hardware Kit
3	110-8910	1	LH Actuator Kit
3:1		1	Housing ●
3:2		1	Lever-LH ●
3:3		1	Pin-Pivot ●
3:4		1	E-Ring ●
4	110-8885	1	Dust Boot Kit
4:1		1	Boot ●
4:2		1	Plate-Back Up ●
4:3		2	Rivet ●

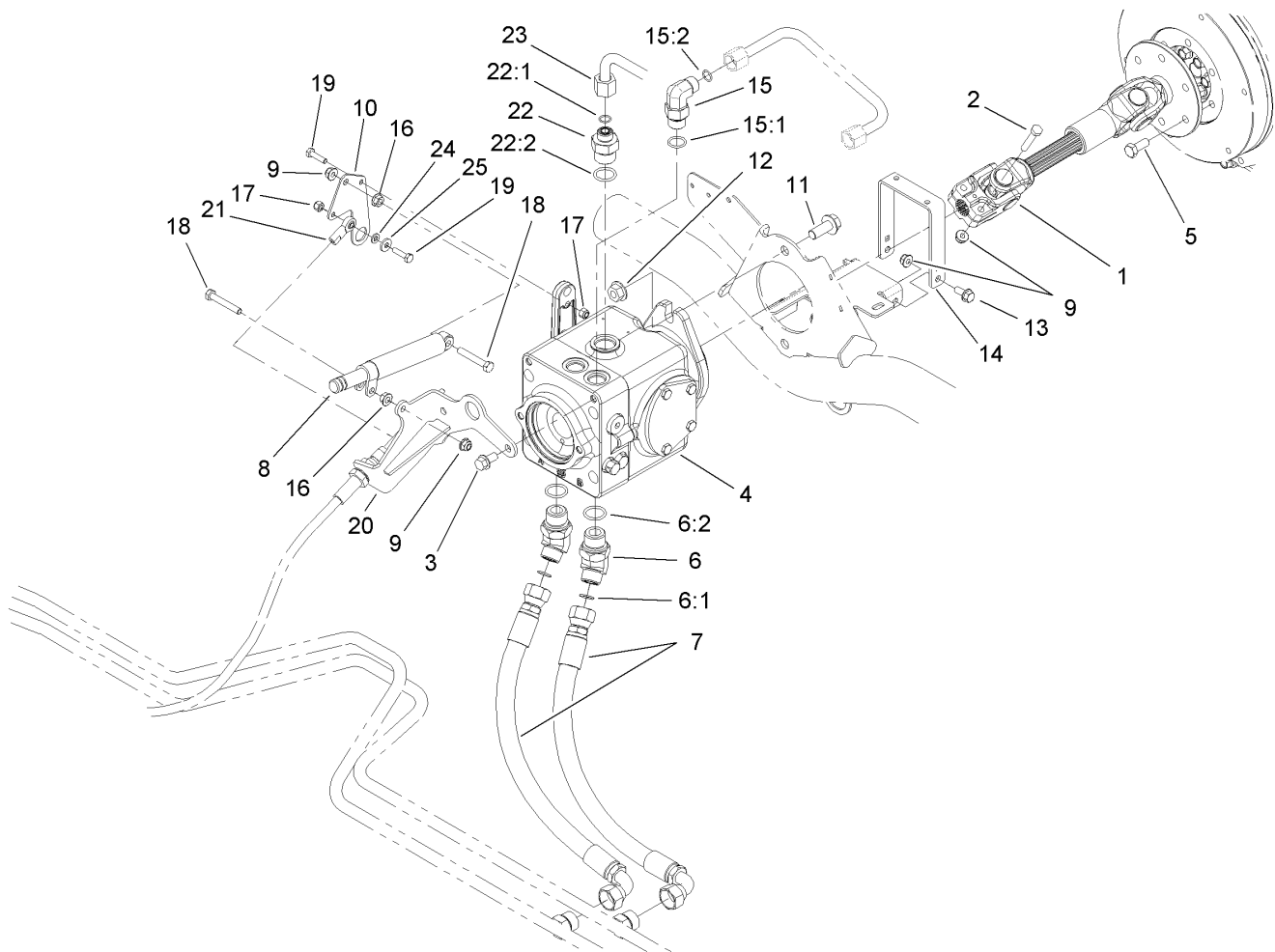
● Not serviced separately



RH Brake Assembly No. 110-8871

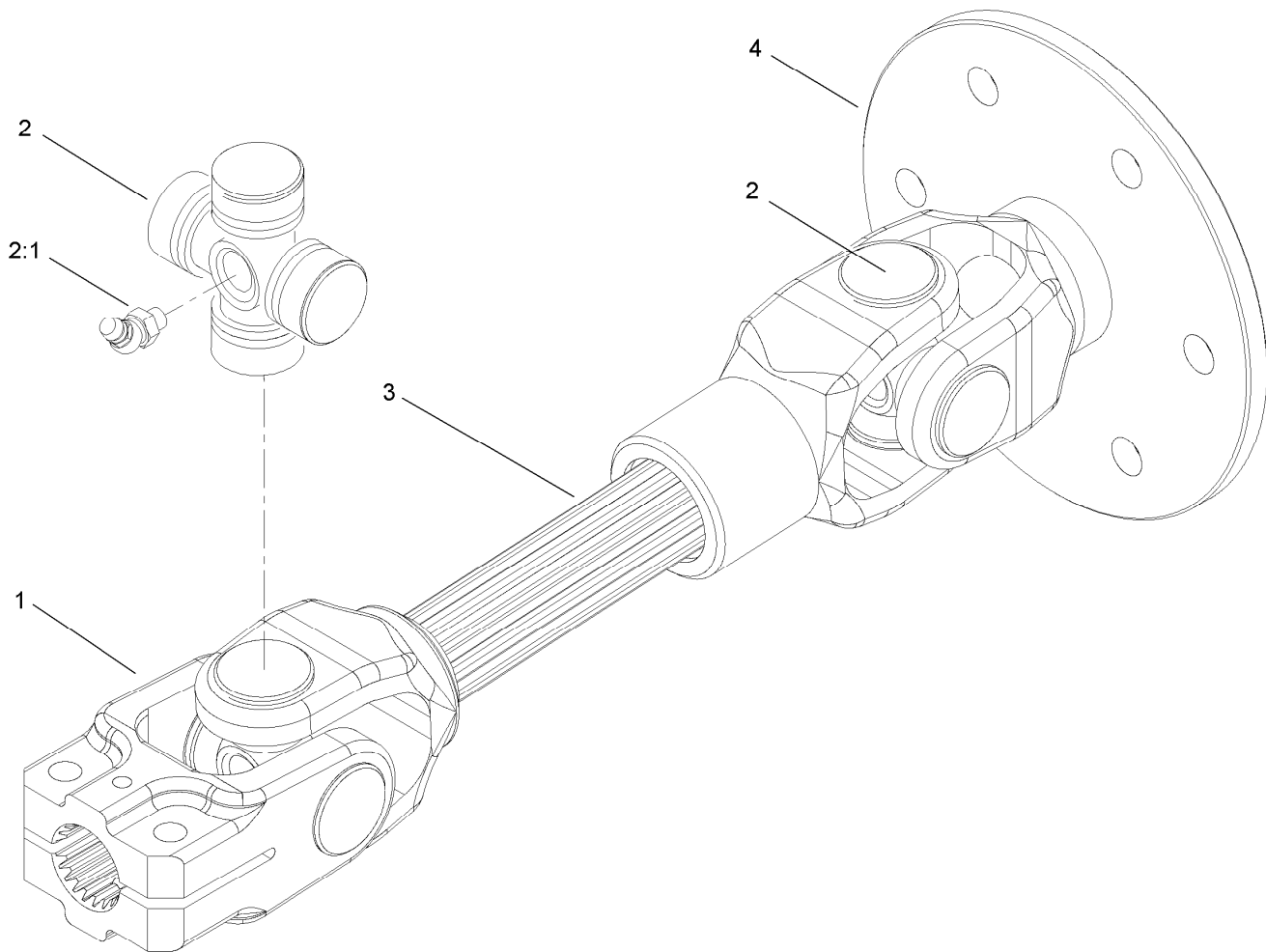
<i>Ref.</i>	<i>Part Number</i>	<i>Qty.</i>	<i>Description</i>
1	108-6981	1	Brake Shoe Kit
2	108-6983	1	Brake Hardware Kit
3	110-8884	1	RH Actuator Kit
3:1		1	Housing ●
3:2		1	Lever-RH ●
3:3		1	Pin-Pivot ●
3:4		1	E-Ring ●
4	110-8885	1	Dust Boot Kit
4:1		1	Boot ●
4:2		1	Plate-Back Up ●
4:3		2	Rivet ●

● Not serviced separately



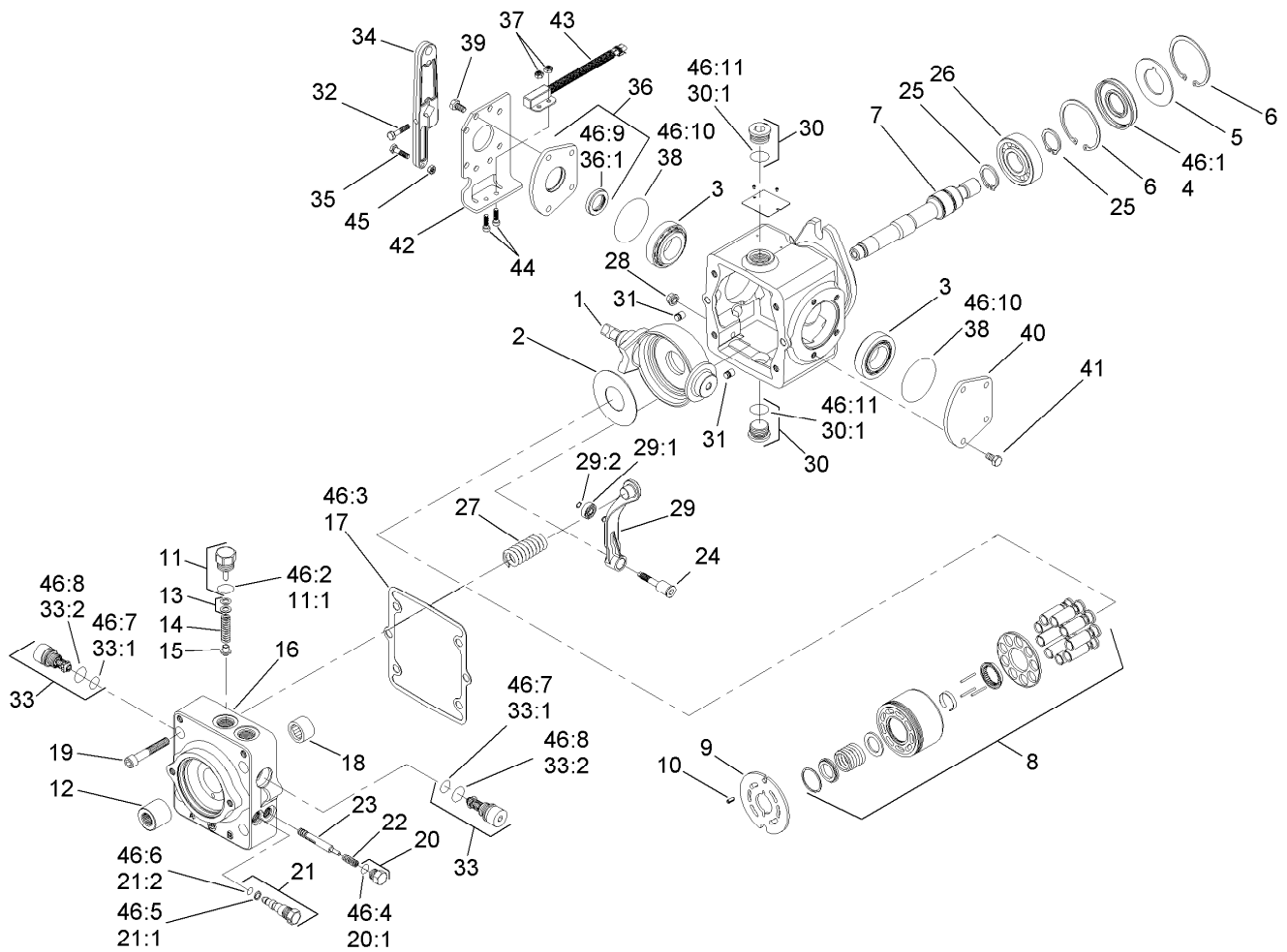
Driveshaft and Variable Pump Hydraulic Fitting Assembly

<i>Ref.</i>	<i>Part Number</i>	<i>Qty.</i>	<i>Description</i>	<i>Ref.</i>	<i>Part Number</i>	<i>Qty.</i>	<i>Description</i>
1	108-1641	1	Driveshaft ASM	15	340-105	1	Fitting-Elbow, 90 DEG
2	322-9	2	Screw-HH	15:1	237-80	1	O-Ring
3	3234-1	2	Screw-HHF	15:2	237-30	1	O-Ring
4	107-4470	1	Variable Pump ASM	16	32128-20	2	Nut-HF
5	43-0090	6	Screw-HH	17	3296-42	2	Nut-Lock, NI
6	340-156	2	Fitting-Elbow 45	18	322-10	2	Screw-HH
6:1	237-65	1	O-Ring	19	321-6	2	Screw-HH
6:2	237-81	1	O-Ring	20	110-5323-03	1	Bracket
7	108-1679	2	Hose-HYD	21	2411-41	1	Rod End-Ball Joint
8	76-8870	1	Damper-Lever	22	100-4240	1	Fitting-STR
9	104-8300	6	Nut-HF, NI	22:1	237-30	1	O-Ring
10	108-7639-03	1	Plate	22:2	237-81	1	O-Ring
11	3234-32	2	Screw-HHF	23	110-8915	1	HYD Tube ASM
12	32128-49	2	Nut-HHF	24	33093-00	1	Washer-Flat
13	3234-5	2	Screw-HHF	25	3256-22	1	Washer-Flat
14	108-1799-03	1	Hoop-Guard				



Driveshaft Assembly No. 108-1641

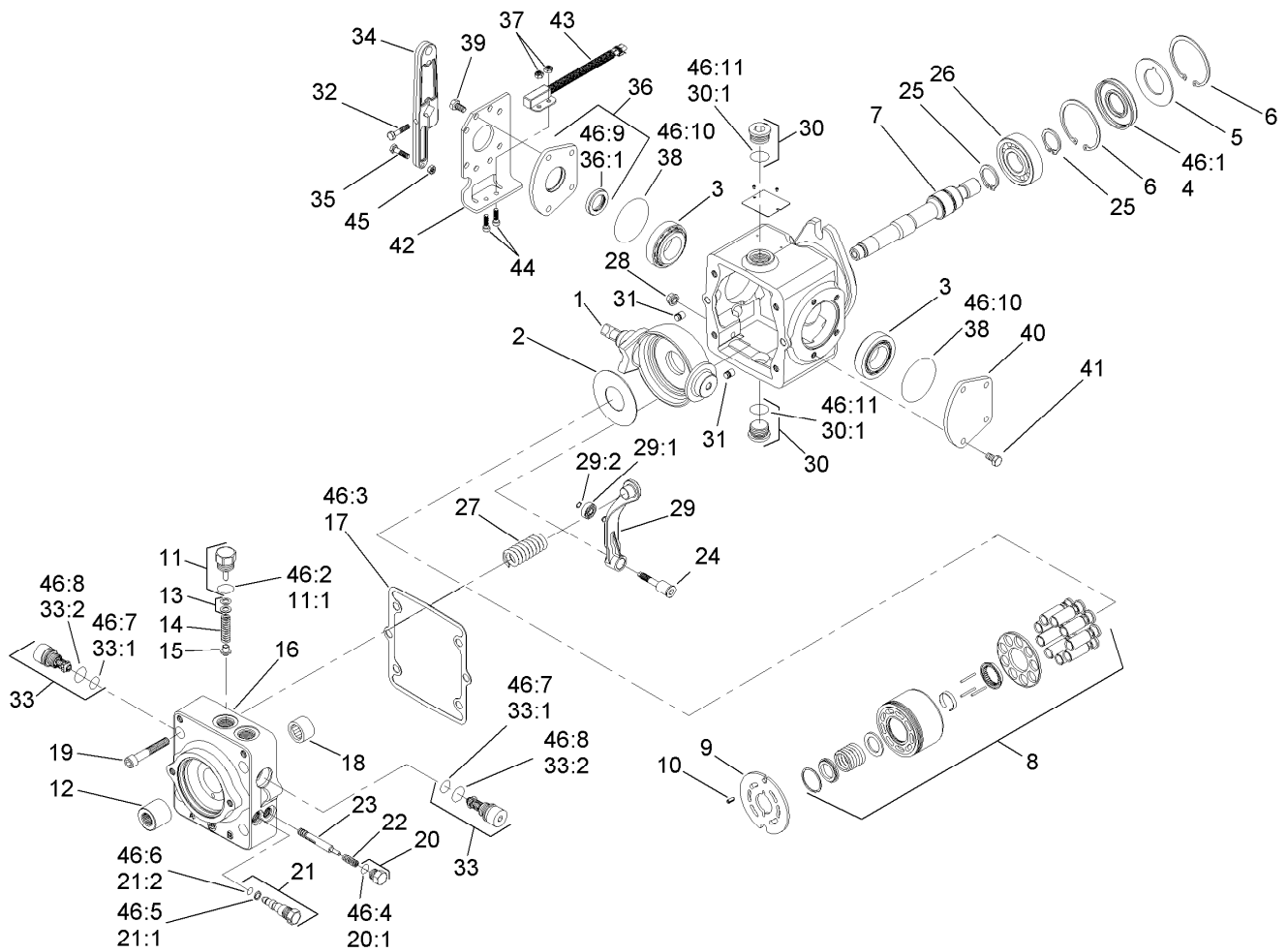
<i>Ref.</i>	<i>Part Number</i>	<i>Qty.</i>	<i>Description</i>
1	54-9040	1	Yoke-End
2	54-9180	2	U-Joint Kit
2:1	62-3820	1	Fitting-Grease
3	108-4574	1	Joint And Shaft ASM
4	108-4575	1	Joint And Yoke ASM



Variable Pump Assembly No. 107-4470

Ref.	Part Number	Qty.	Description	Ref.	Part Number	Qty.	Description
1	110-6482	1	Swashplate	22	110-6491	2	Spring
2	75-0400	1	Plate-Thrust	23	110-6492	1	Spool-Loop, Flush
3	110-6483	2	Bearing Kit	24	110-6493	1	Pivot-Return, Neutral
4	110-6471	1	Seal-Lip	25	69-3170	2	Ring-Retaining
5	95-4400	1	Washer-Backup	26	75-0460	1	Bearing-Ball
6	69-3200	2	Ring-Retaining	27	110-6495	1	Spring-Return, Neutral
7	110-6484	1	Shaft-Auxiliary	28	110-6496	1	Nut-Seal
8	110-6472	1	Cylinder Block Kit ASM	29	110-6497	1	Neutral Return Arm ASM
9	110-6473	1	Plate-Valve (Clockwise)	29:1	110-6494	1	Bearing-Cam
10	110-6485	1	Pin-Slotted	29:2	110-3056	1	Ring-Retaining
11	110-6486	1	Plug-Relief, Charge	30	69-3130	2	Plug
11:1	28-3570	1	O-Ring	30:1		1	O-Ring ●
12	110-6480	1	Coupling	31	112-0158	2	Pin
13	92-1353	1	Shim Kit	32	112-0157	1	Screw
14	110-6474	1	Spring	33	110-6477	2	Valve-Relief
15	110-6475	1	Poppet	33:1	75-0240	1	O-Ring
16	110-6487	1	Cap-End	33:2	84-0560	1	O-Ring
17	110-6476	1	Gasket-Cap, End	34	112-0156	1	Arm-Control
18	75-0500	1	Bearing-Needle	35	112-0155	1	Screw
19	110-6489	4	Screw	36	110-6499	1	Trunnion Cover ASM
20	94-9415	2	Plug ASM	36:1	110-6478	1	Seal-Lip
20:1		1	O-Ring ●	37	94-3936	2	Nut-Lock, Hex
21	107-4364	1	Bypass Valve ASM	38	84-0430	2	O-Ring
21:1	25-2630	1	Ring-Back Up	39	112-0150	4	Screw
21:2	110-6498	1	O-Ring	40	84-0440	1	Cover-Trunnion

● Not serviced separately

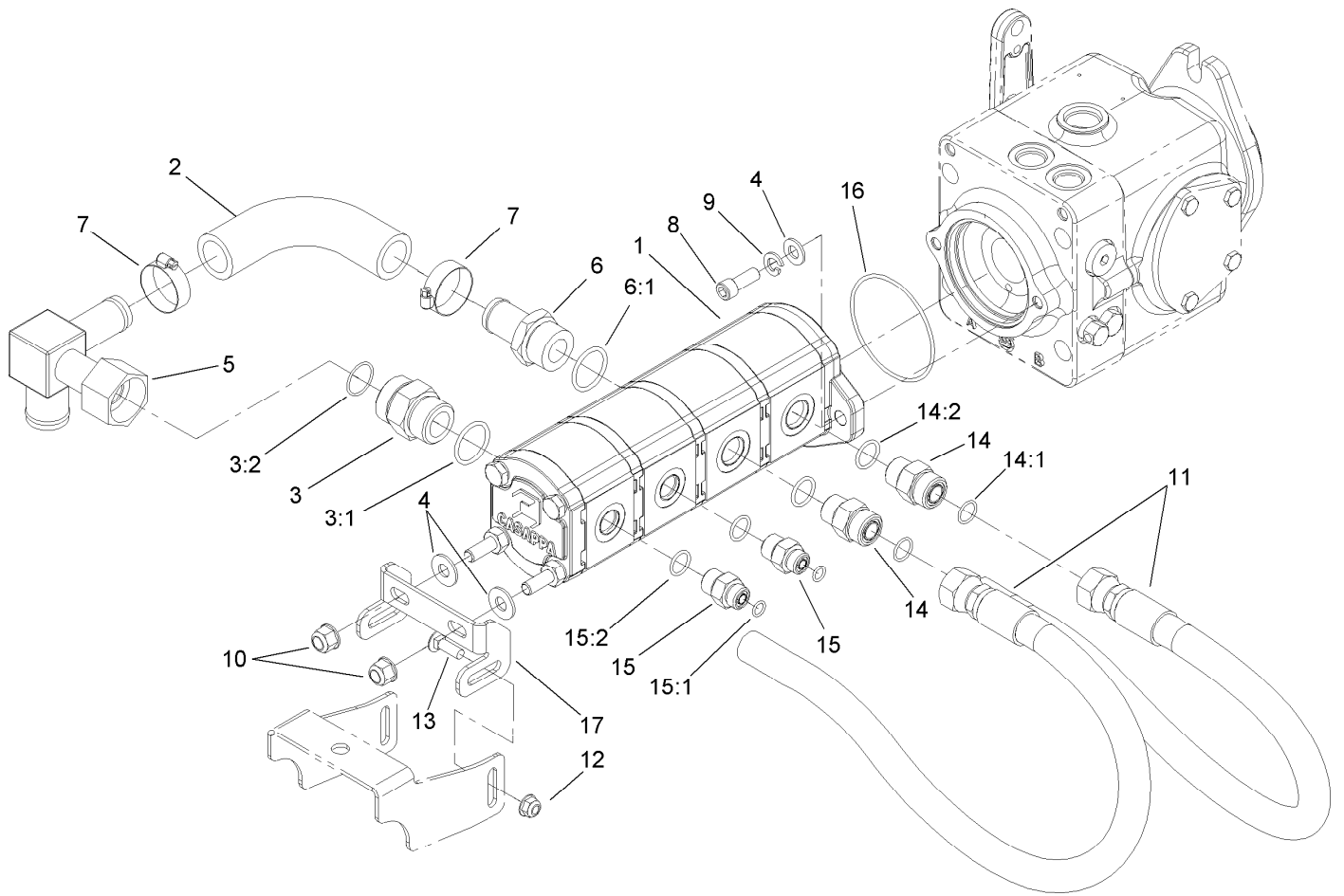


Variable Pump Assembly No. 107-4470 (continued)

Ref.	Part Number	Qty.	Description
41	112-0151	4	Screw
42	112-0152	1	Bracket-Switch, Neutral
43	100-1270	1	Switch-Proximity
44	112-0153	2	Screw
45	112-0154	1	Nut-Lock
46	110-6481	1	Seal Kit
46:1	110-6471	1	Seal-Lip
46:2	28-3570	1	O-Ring

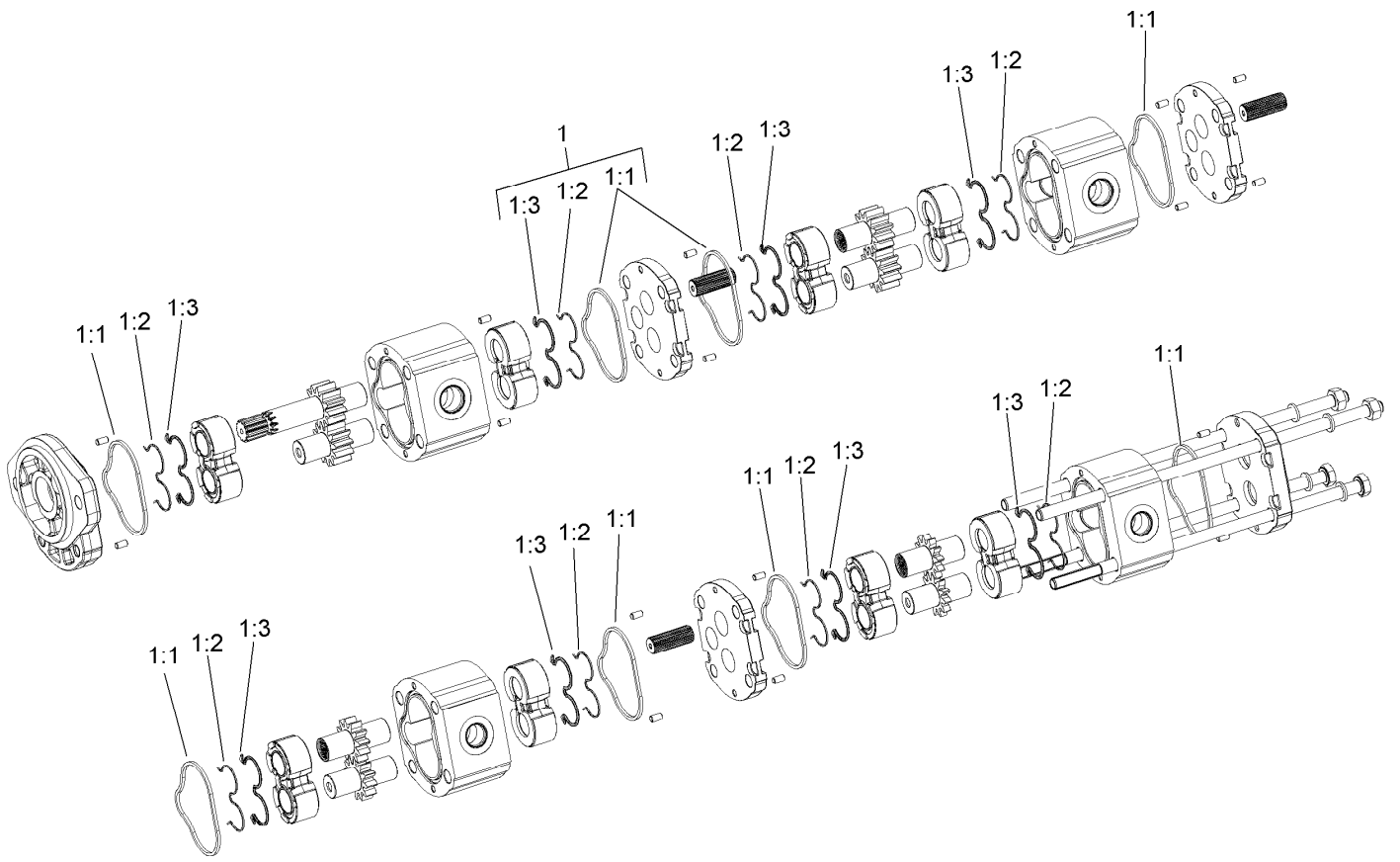
Ref.	Part Number	Qty.	Description
46:3	110-6476	1	Gasket-Cap, End
46:4		1	O-Ring ●
46:5	25-2630	1	Ring-Back Up
46:6	110-6498	1	O-Ring
46:7	75-0240	2	O-Ring
46:8	84-0560	2	O-Ring
46:9	110-6478	1	Seal-Lip
46:10	84-0430	2	O-Ring
46:11		2	O-Ring ●

● Not serviced separately



Gear Pump Hydraulic Plumbing Assembly

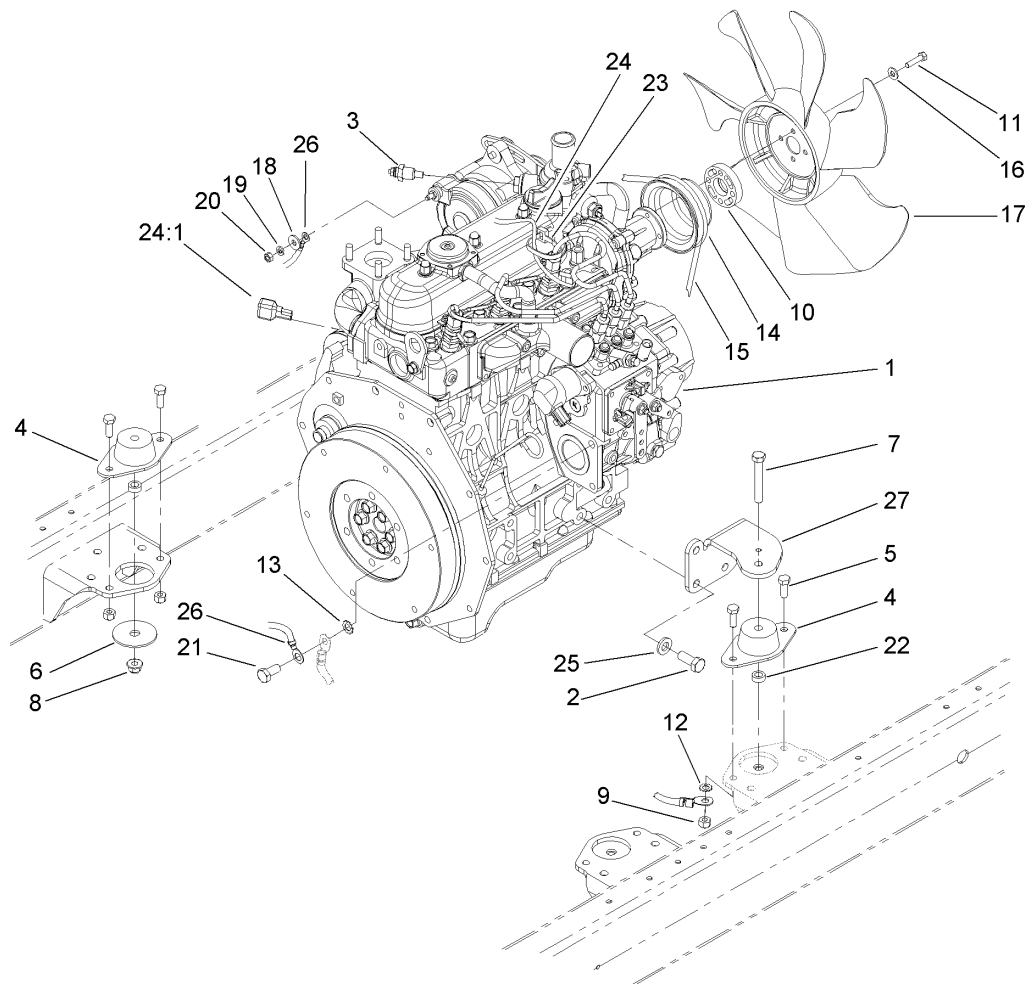
<i>Ref.</i>	<i>Part Number</i>	<i>Qty.</i>	<i>Description</i>
1	107-4547	1	Gear Pump ASM
2	108-1683	1	Hose-Formed
3	104-3797	1	Fitting-Straight
3:1	237-146	1	O-Ring
3:2	340-65	1	O-Ring
4	3256-24	4	Washer-Flat
5	108-1672	1	Manifold-Tube
6	354-78	1	Fitting-STR
6:1	237-146	1	O-Ring
7	2412-34	2	Clamp-Hose
8	3274-1	2	Screw-HSH
9	3253-5	2	Washer-Lock
10	103-9511	2	Nut-Lock, NI
11	108-1686	2	Hose-HYD
12	104-8300	2	Nut-HF, NI
13	3230-1	2	Bolt-CARR
14	340-7	2	Fitting-Straight
14:1	237-65	1	O-Ring
14:2	237-80	1	O-Ring
15	340-3	2	Fitting-Straight
15:1	237-22	1	O-Ring
15:2	237-79	1	O-Ring
16	237-161	1	O-Ring
17	108-1801-01	1	Bracket-Support, Pump



Gear Pump Assembly No. 107-4547

<i>Ref.</i>	<i>Part Number</i>	<i>Qty.</i>	<i>Description</i>
1	108-4595	1	Seal Kit
1:1		8	Seal ●
1:2		8	Seal ●
1:3		8	Ring-Back Up ●

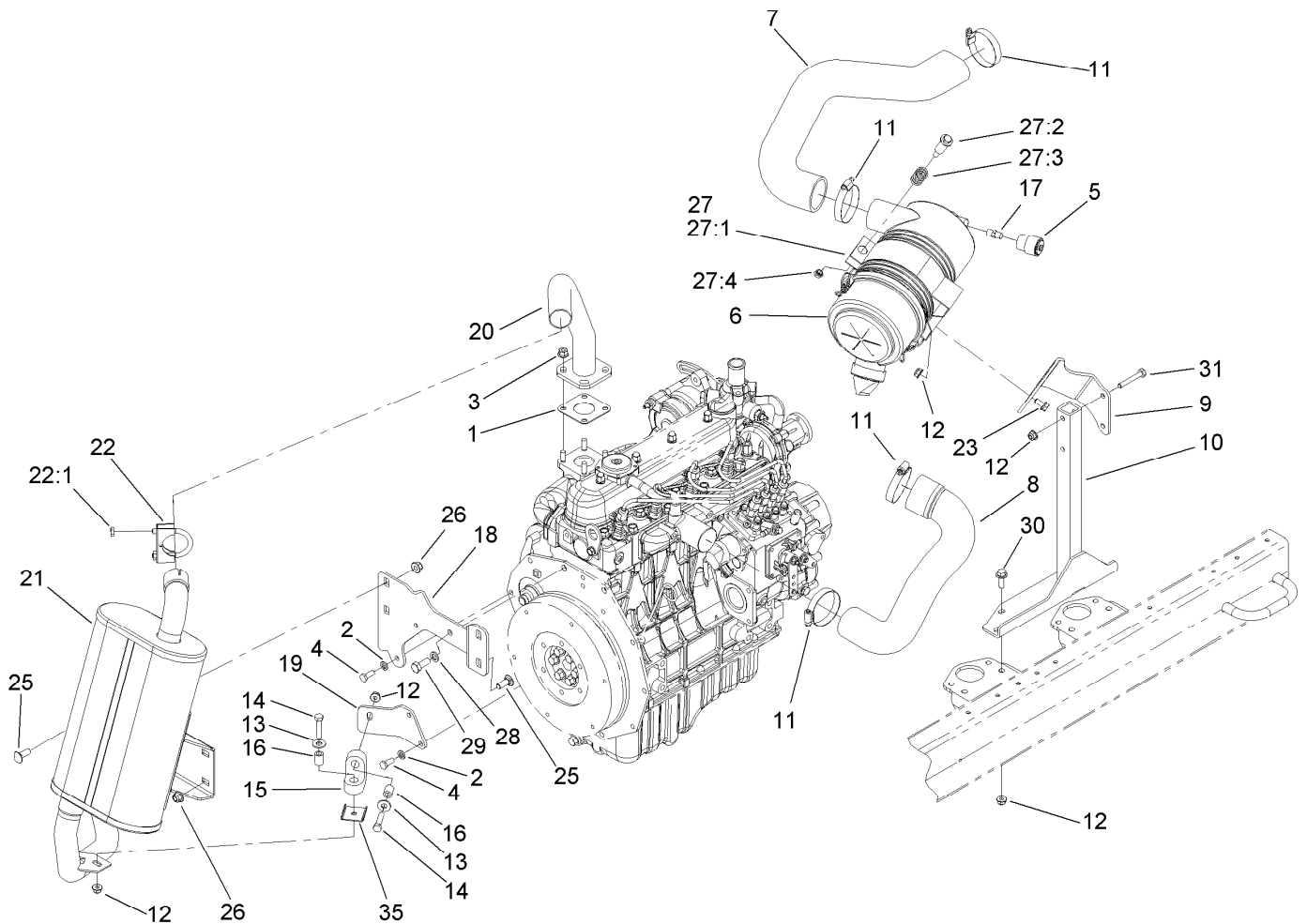
● Not serviced separately



Engine Mounting and Electrical Assembly

<i>Ref.</i>	<i>Part Number</i>	<i>Qty.</i>	<i>Description</i>
1	107-4542	1	Engine ASM
2	43-0090	12	Screw-HH
3	98-9346	1	Sender-Temperature
4	83-1030	4	Mount-Engine
5	322-4	8	Screw-HH
6	87-5100	4	Washer-Snubbing
7	323-12	4	Screw-HH
8	104-8301	4	Nut-HF, NI
9	3296-29	8	Nut-Lock, NI
10	104-4247	1	Spacer-Fan
11	33113-025	4	Screw-HH
12	3255-8	1	Washer-Lock
13	3255-9	1	Washer-Lock
14	110-0972	1	Pulley

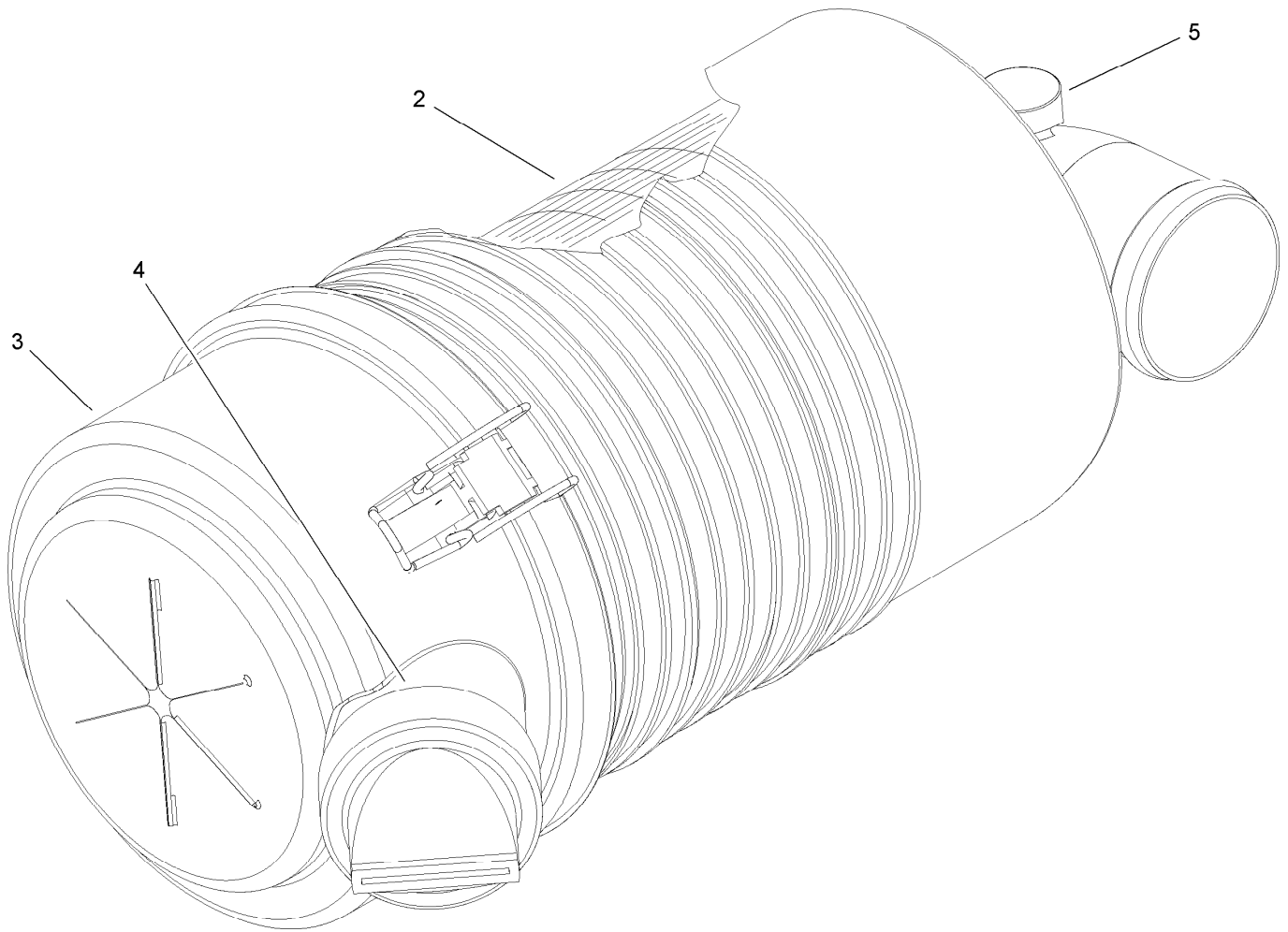
<i>Ref.</i>	<i>Part Number</i>	<i>Qty.</i>	<i>Description</i>
15	98-9676	1	V-Belt
16	3256-22	4	Washer-Flat
17	110-0966	1	Fan-Cooling
18	3256-78	1	Washer-Flat
19	43-5930	1	Washer-Lock, Spring
20	48-7890	1	Nut-Hex
21	63-7790	1	Screw-Cap
22	83-1050	4	Spacer
23	3290-378	1	Tie-Cable
24	106-3615	1	Harness-Wire, Engine
24:1	100-4918	1	Diode
25	48-9590	12	Washer-Lock
26	99-3441	1	Harness-Wire, Fusible Link
27	107-4496-03	4	Bracket-Engine



Engine Intake and Exhaust Assembly

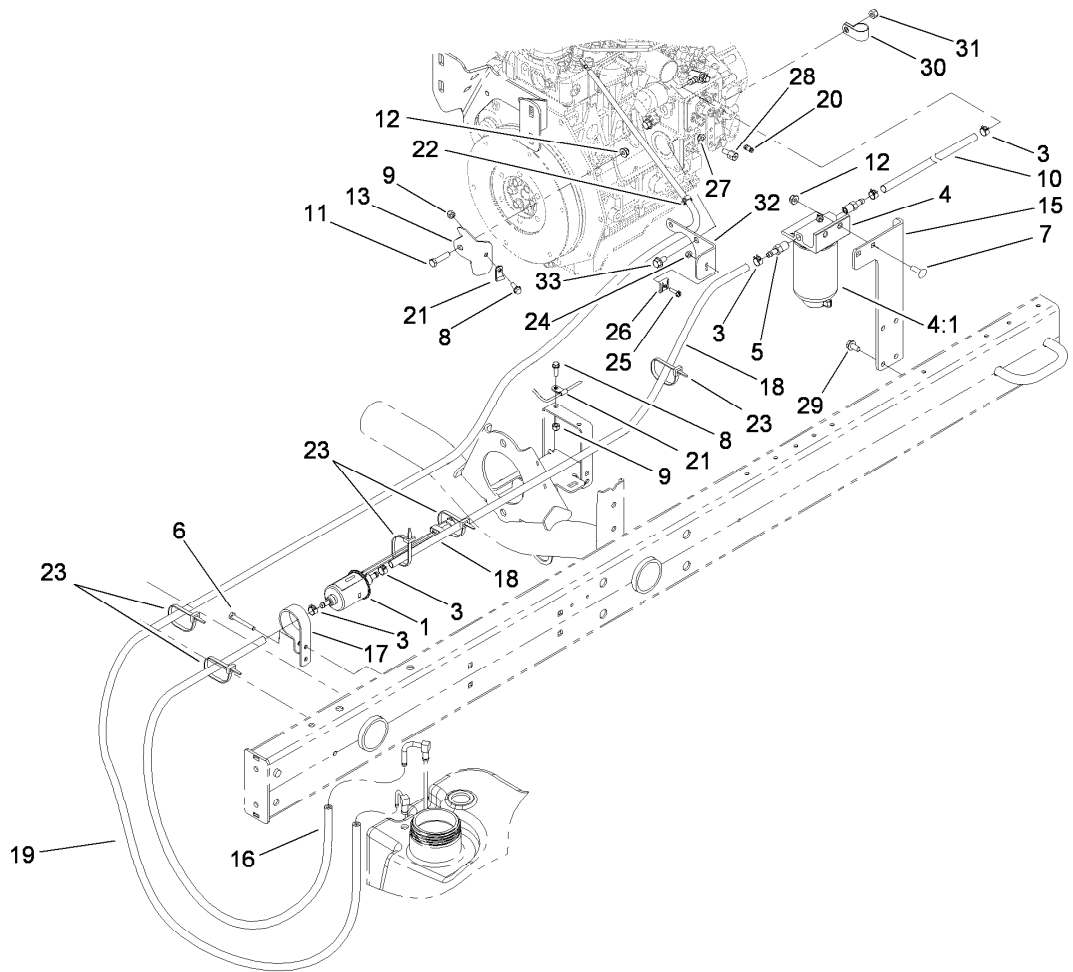
Ref.	Part Number	Qty.	Description	Ref.	Part Number	Qty.	Description
1	99-8343	1	Gasket-Muffler	19	110-8974-03	1	Bracket-Pipe, Tail
2	3253-4	4	Washer-Lock	20	108-1782	1	Header
3	104-2612	4	Nut-HF	21	110-8992	1	Muffler ASM
4	33114-020	4	Screw-HH	22	2112-9	1	Clamp
5	93-9164	1	Indicator-Mini	22:1	32128-20	2	Nut-HF
6	106-5277	1	Air Cleaner ASM	23	3234-14	2	Screw-HHF
7	108-7550	1	Hose-Formed	25	3231-27	4	Screw-CARR
8	108-1745	1	Hose-Formed	26	104-8301	4	Nut-HF, NI
9	110-8980-03	1	Bracket-Mount	27	100-4825	1	Band-Mounting, Air Cleaner
10	110-8977-03	1	Stand-Air Cleaner	27:1		1	Clamp ASM ●
11	2412-130	4	Clamp-Hose	27:2	94-3653	1	Bolt
12	104-8300	10	Nut-HF, NI	27:3	94-3654	1	Spring
13	3256-3	2	Washer-Flat	27:4	48-9510	1	Nut
14	322-9	2	Screw-HH	28	48-9590	1	Washer-Lock
15	95-5622	1	Hanger-Rubber	29	43-0090	1	Screw-HH
16	93-5023	2	Spacer	30	3234-29	4	Screw-HHF
17	94-1416	1	Adapter-Indicator	31	322-10	2	Screw-HH
18	108-1785-03	1	Bracket-Support, Muffler	35	110-8976	1	Plate-Support, Isolator

● Not serviced separately



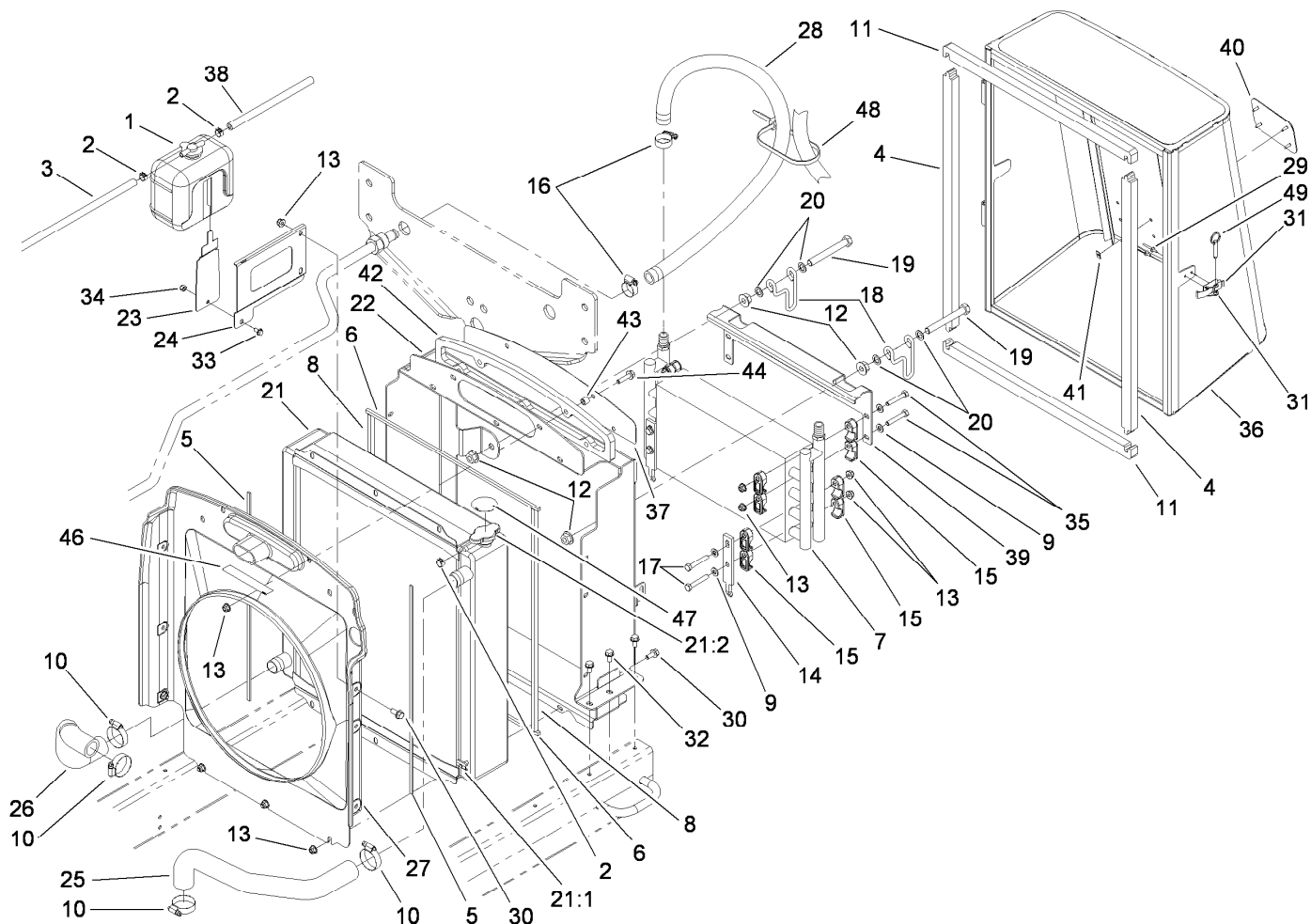
Air Cleaner Assembly No. 106-5277

<i>Ref.</i>	<i>Part Number</i>	<i>Qty.</i>	<i>Description</i>
2	108-3810	1	Filter-Air
3	98-9771	1	Cover ASM
4	87-9400	1	Valve-Vacuator
5	285-17	1	Plug-Pipe



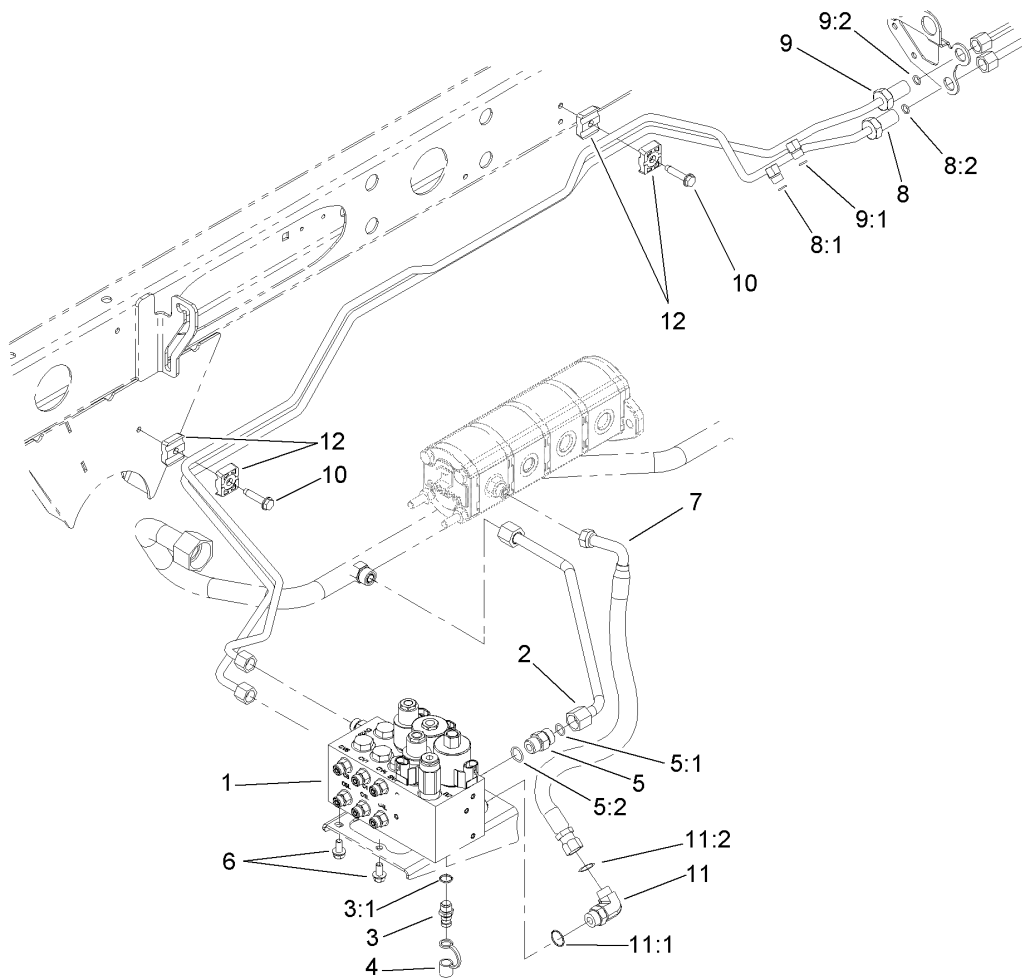
Fuel System Delivery Assembly

Ref.	Part Number	Qty.	Description	Ref.	Part Number	Qty.	Description
1	110-8806	1	Pump-Fuel	18	114-9559	1	Hose-Fuel
3	92-2379	5	Clamp-Hose	19	110-9011	1	Hose-Fuel
4	110-9044	1	Separator-Filter	20	112-9919	1	Stop-Cable, Throttle
4:1	110-9049	1	Filter-Spin On, Fuel/Water	21	2412-149	2	Clamp-R
5	353-783	2	Fitting-STR	22	2412-146	1	Clamp-Hose
6	37-7260	1	Screw-HHFTF	23	3290-378	5	Tie-Cable
7	3230-22	2	Screw-CARR	24	3296-2	1	Nut-Lock, NI
8	3234-4	2	Screw-HHF	25	32105-13	1	Screw-HWH
9	3296-42	2	Nut-Lock, NI	26	81-1690	1	Clamp-Cable
10	110-4104	1	Hose-Fuel	27	3296-20	1	Nut-Lock, NI
11	322-17	1	Screw-HH	28	98-9311	1	Swivel-Throttle
12	104-8300	3	Nut-HF, NI	29	32144-14	4	Screw-HWHTF
13	110-9007-03	1	Support-Cable, Throttle	30	2412-41	1	Clamp-R
15	110-8968-01	1	Mount-Separator, Water	31	3296-29	1	Nut-Lock, NI
16	110-4114	1	Hose-Fuel	32	110-9009-03	1	Bracket-Cable, Throttle
17	110-8817	1	Bracket-Pump, Fuel	33	33104-016	2	Screw-HHF



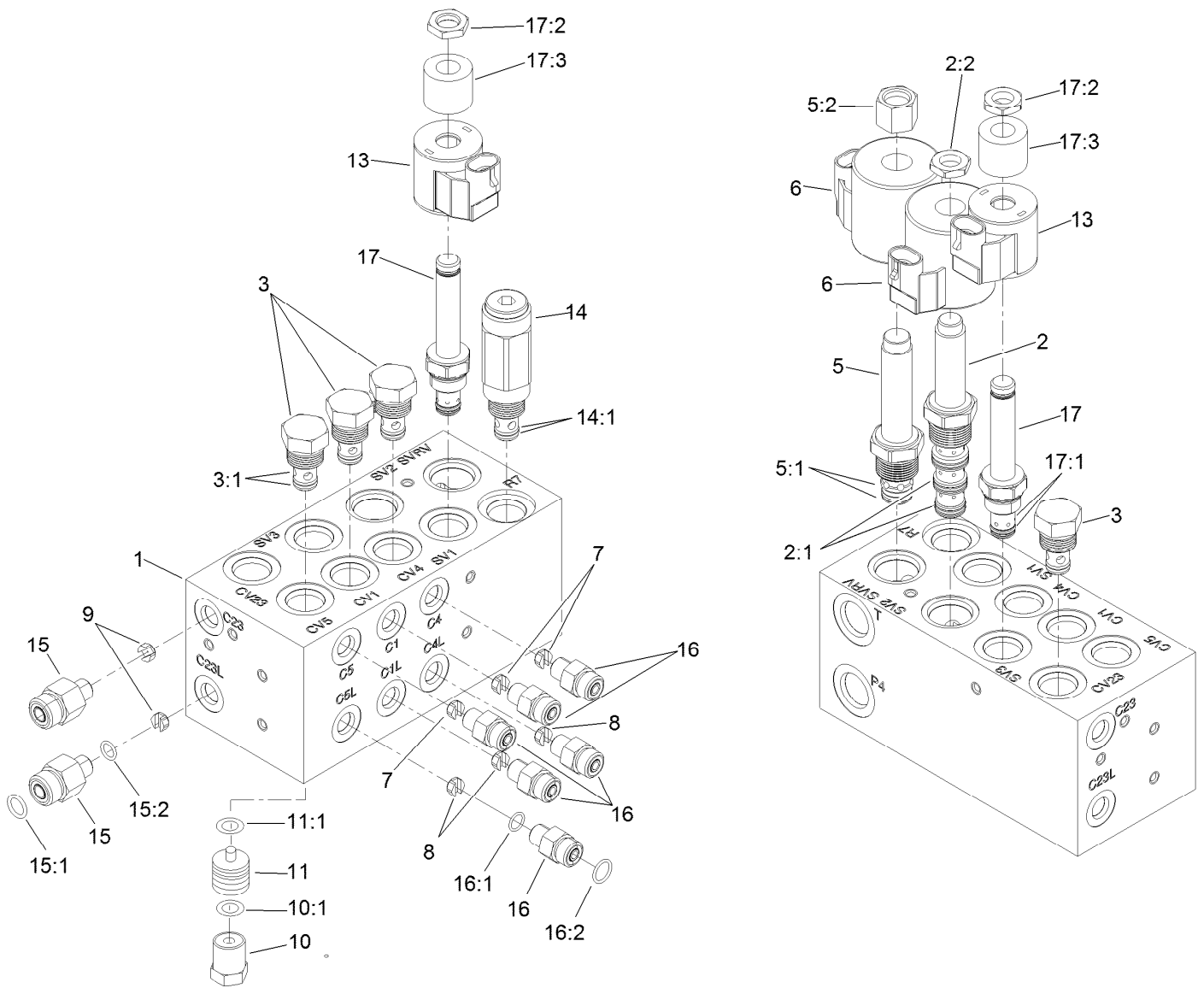
Radiator and Hydraulic Cooler Assembly

<i>Ref.</i>	<i>Part Number</i>	<i>Qty.</i>	<i>Description</i>	<i>Ref.</i>	<i>Part Number</i>	<i>Qty.</i>	<i>Description</i>
1	104-9318	1	Bottle-Overflow	24	108-1666-03	1	Bracket-Reservoir
2	92-2379	3	Clamp-Hose	25	108-1696	1	Hose-Formed
3	110-3257	1	Hose-Fuel	26	108-1697	1	Hose-Formed
4	110-0967	2	Seal-Foam	27	108-1791	1	Shroud-Fan
5	110-0971	2	Seal-Foam	28	108-1693	2	Hose
6	110-0970	2	Seal-Foam	29	3269-15	2	Rivet-Pop
7	100-4869	1	Cooler-Oil	30	3234-5	9	Screw-HHF
8	110-0969	2	Seal-Foam	31	115-1554	1	Latch-Draw
9	3256-23	8	Washer-Plain	32	32104-32	6	Screw-HWH
10	2412-34	4	Clamp-Hose	33	3234-13	1	Screw-HHF
11	110-0968	2	Seal-Foam	34	3296-42	1	Nut-Lock, NI
12	32128-49	4	Nut-HHF	35	322-21	4	Screw-HH
13	104-8300	22	Nut-HF, NI	36	110-0952-03	1	Screen ASM
14	104-5460-03	2	Plate-Mount, Oil Cooler	37	108-1843-03	1	Screen-Intake, Air
15	105-3943	16	Clamp-Cooler, Oil	38	110-4104	1	Hose-Fuel
16	2412-129	4	Clamp-Hose	39	107-2043-03	1	Bracket-Oil Cooler, Top
17	322-10	4	Screw-HH	40	93-6028	1	Plate-Logo
18	104-5429	2	Clamp-Form, Wire	41	94-2638	4	Nut-Flat
19	325-17	2	Screw-HH	42	110-5324	1	Seal-Foam
20	41-8440	4	Washer	43	1-603903	5	Spacer
21	108-7628	1	Radiator	44	3234-36	5	Screw-HHF
21:1	304-46	1	Draincock	46	93-7272	1	Decal-Warning
21:2	93-5957	1	Cap-Radiator	47	106-6755	1	Decal-Cap, Radiator
22	108-1617-03	1	Frame-Radiator	48	3290-378	1	Tie-Cable
23	108-1665-03	1	Bracket-Reservoir	49	115-1556	1	Pin-Ball, Detent



Hydraulic Lift Block and Plumbing Assembly

<i>Ref.</i>	<i>Part Number</i>	<i>Qty.</i>	<i>Description</i>
1	105-7577	1	HYD Lift Block Manifold ASM
2	108-1698	1	Tube ASM
3	59-7410	1	Fitting-Diagnostic
3:1	237-42	1	O-Ring
4	354-79	1	Cap-Dust
5	340-4	1	Fitting-Straight
5:1	237-30	1	O-Ring
5:2	237-79	1	O-Ring
6	3234-14	2	Screw-HHF
7	107-1135	1	Hose ASM
8	108-1720	1	Tube ASM
8:1	237-21	1	O-Ring
8:2	237-22	1	O-Ring
9	108-1721	1	Tube ASM
9:1	237-21	1	O-Ring
9:2	237-22	1	O-Ring
10	32144-57	2	Screw
11	340-18	1	Fitting-HYD, 90 DEG
11:1	237-79	1	O-Ring
11:2	237-22	1	O-Ring
12	56-7973	4	Clamp-Tube



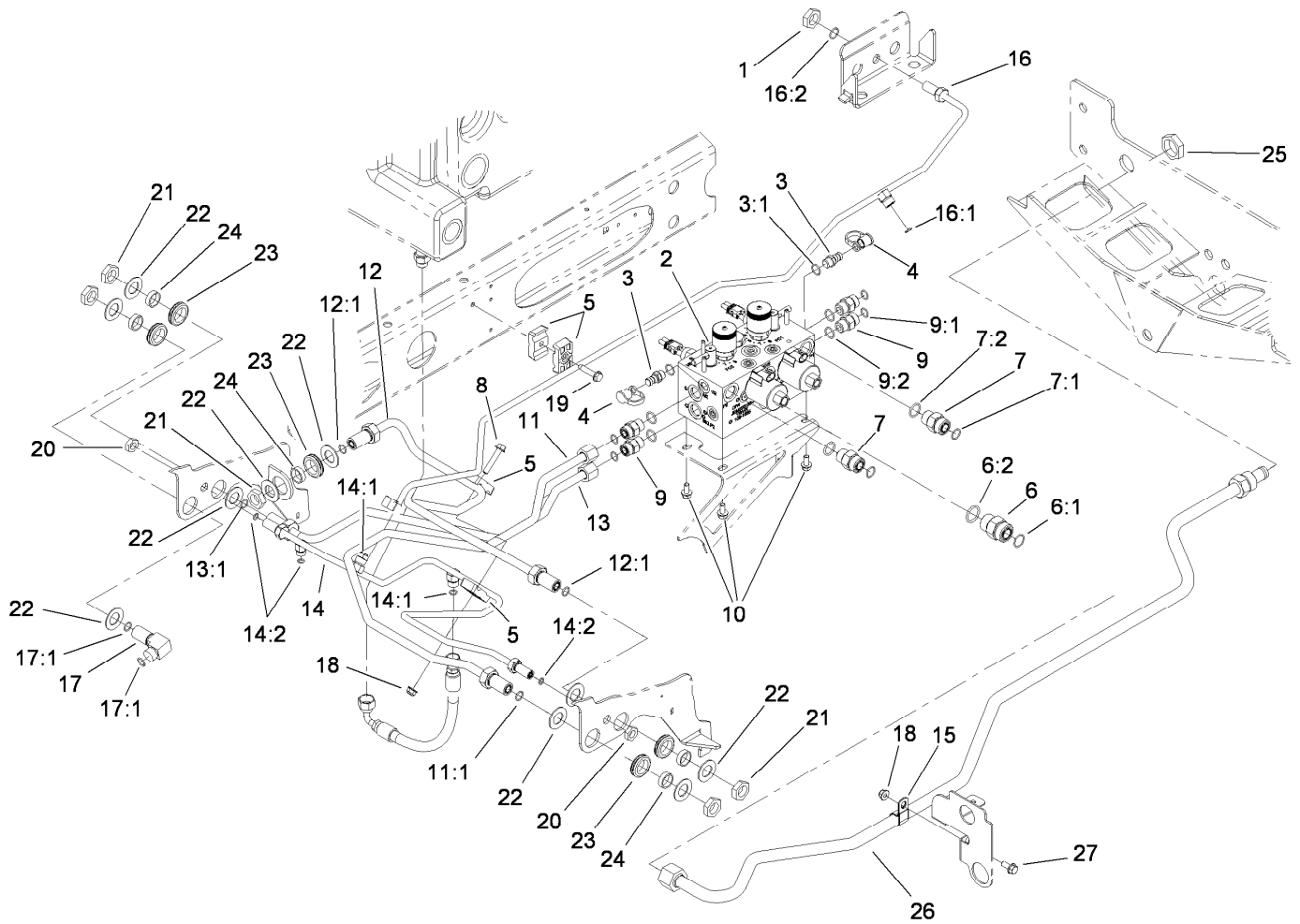
Hydraulic Manifold Block Assembly No. 105-7577

Ref.	Part Number	Qty.	Description
1		1	Block-Manifold ■
2	110-8906	1	Valve-Solenoid
2:1	110-8908	1	Spool Valve Seal Kit
2:2	110-2634	1	Nut-Coil
3	110-9006	4	Valve-Check
3:1	105-9156	1	Seal Kit
5	110-8905	1	Valve-Relief, Solenoid
5:1	110-6316	1	Seal Kit
5:2	130-8180	1	Nut-Coil (9/16-24 Unef-2B)
6	110-6344	2	Coil-12V, DC
7	110-8904	3	Orifice-Control, Flow (0.028)
7	125-8849	3	Orifice-Flow Control ●
8	110-8903	3	Orifice-Control, Flow (0.055)
9	110-8902	2	Orifice-Control, Flow (0.046)
10	354-70	4	Plug-Hex, Hollow
10:1	237-80	1	O-Ring

Ref.	Part Number	Qty.	Description
11	110-8901	4	Piston-Pilot
11:1	110-8900	1	O-Ring
13	110-0497	2	Coil-Solenoid
14	110-8899	1	Valve-Relief
14:1	105-9156	1	Seal Kit
15	340-88	2	Fitting-Straight
15:1	237-22	1	O-Ring
15:2	237-78	1	O-Ring
16	340-92	6	Fitting-Straight
16:1	237-78	1	O-Ring
16:2	237-21	1	O-Ring
17	110-8898	2	Valve-Solenoid
17:1	107-7527	1	Seal Kit
17:2	110-2634	1	Nut-Coil
17:3	110-8909	1	Spacer-Coil

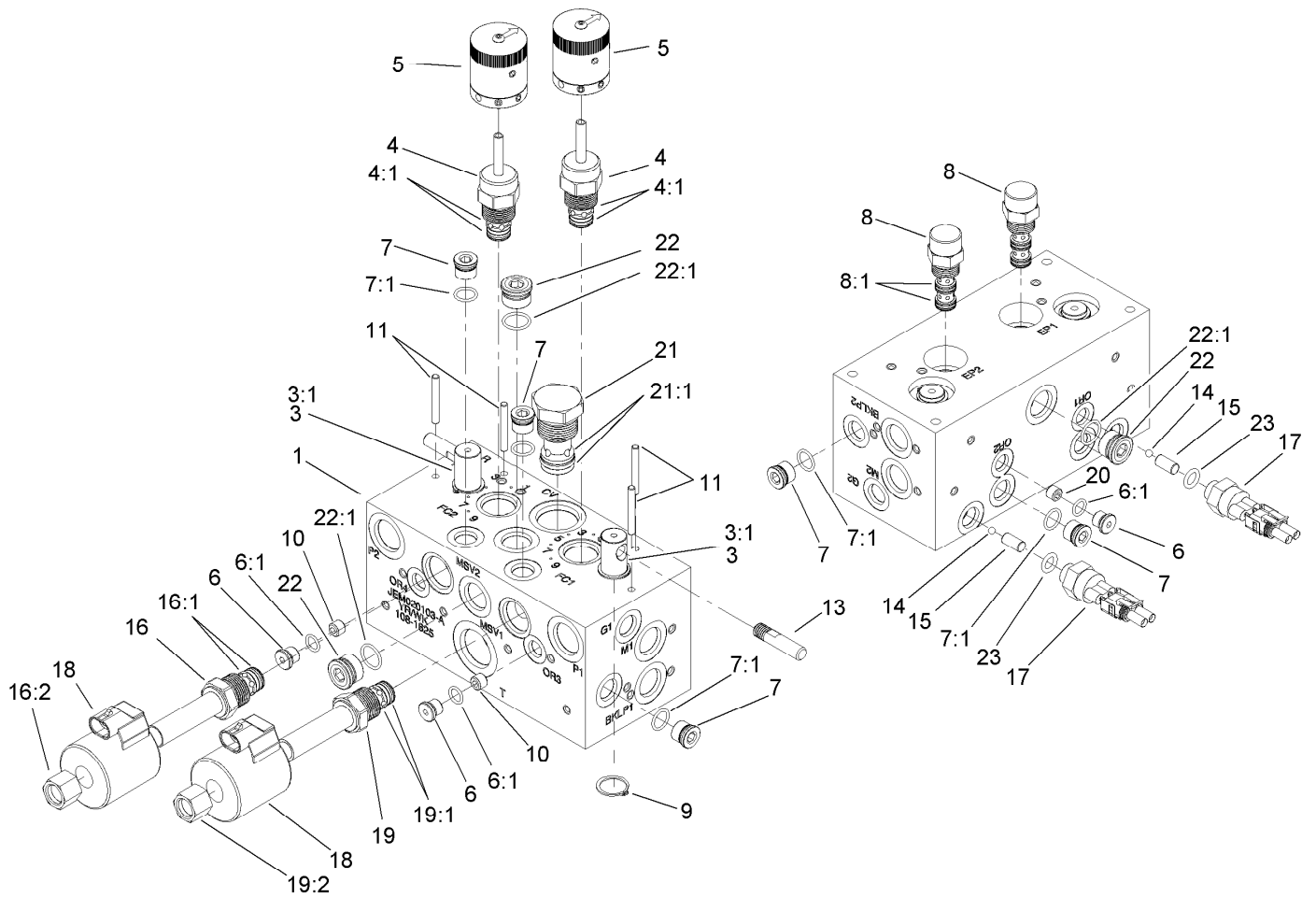
● Optional Equipment

■ Not serviced separately



Reel Control Block Hydraulic Plumbing Assembly

<i>Ref.</i>	<i>Part Number</i>	<i>Qty.</i>	<i>Description</i>	<i>Ref.</i>	<i>Part Number</i>	<i>Qty.</i>	<i>Description</i>
1	340-78	1	Nut-Lock	13	108-1708	1	Tube ASM
2	108-1625	1	HYD Mow Block Manifold ASM	13:1	237-30	1	O-Ring
3	59-7410	2	Fitting-Diagnostic	14	110-5286	1	Tube ASM
3:1	237-42	1	O-Ring	14:1	237-22	2	O-Ring
4	354-79	2	Cap-Dust	14:2	237-21	3	O-Ring
5	56-7972	4	Clamp-Tube	15	2412-4	1	Clamp-R
6	340-9	1	Fitting-STR	16	114-8888	1	Tube ASM
6:1	237-58	1	O-Ring	16:1	237-22	1	O-Ring
6:2	237-81	1	O-Ring	16:2	237-21	1	O-Ring
7	340-7	2	Fitting-Straight	17	93-9151	1	Fitting-HYD
7:1	237-65	1	O-Ring	17:1	237-30	2	O-Ring
7:2	237-80	1	O-Ring	18	104-8300	2	Nut-HF, NI
8	94-5780	1	Screw-HWH	19	32144-57	1	Screw
9	340-4	4	Fitting-Straight	20	340-78	2	Nut-Lock
9:1	237-30	1	O-Ring	21	340-127	5	Nut-Bulkhead
9:2	237-79	1	O-Ring	22	69-8930	10	Washer
10	3234-14	3	Screw-HHF	23	240-5	5	Grommet
11	110-5287	1	Tube ASM	24	69-8960	5	Spacer
11:1	237-30	1	O-Ring	25	340-126	1	Nut-Bulkhead
12	110-5288	1	Tube ASM	26	108-1700	1	Tube ASM
12:1	237-30	2	O-Ring	27	3234-5	1	Screw-HHF

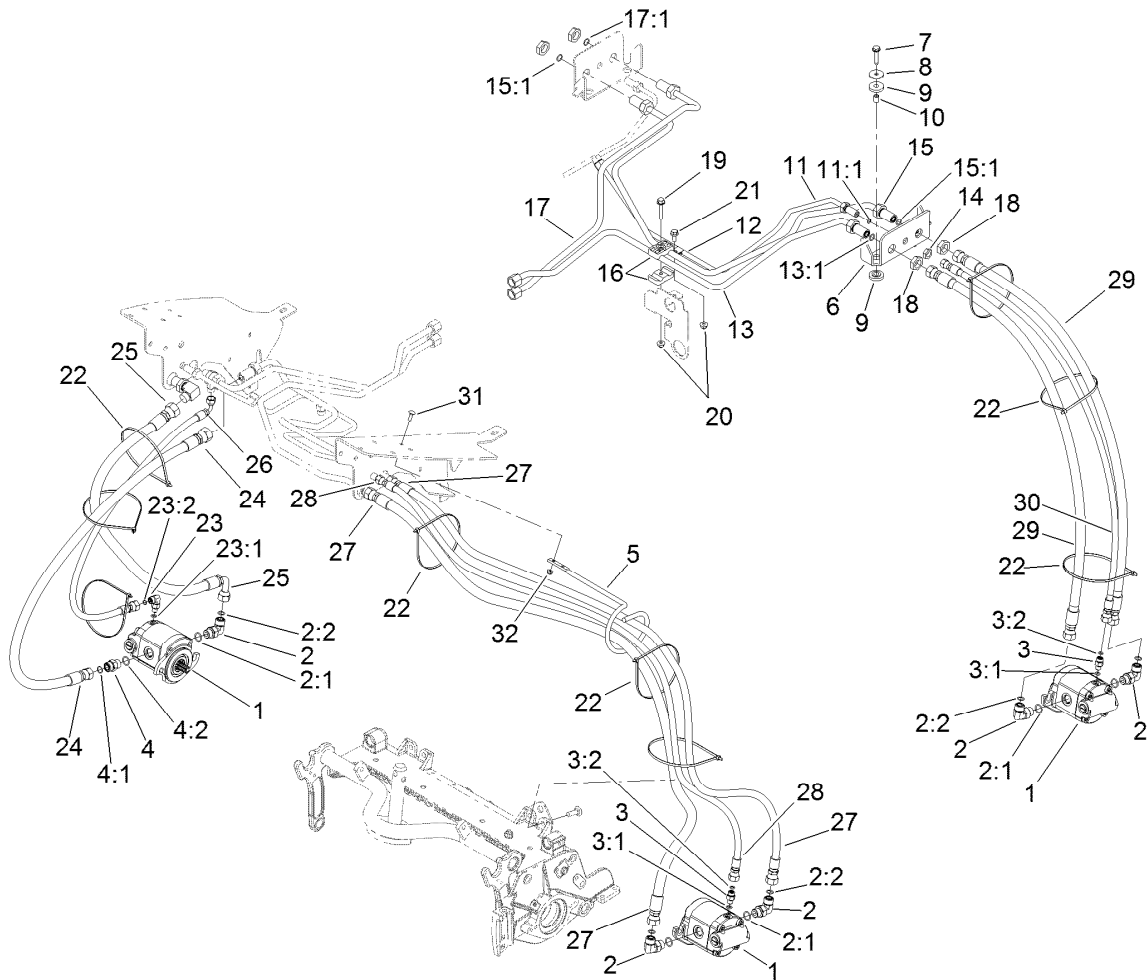


Hydraulic Manifold Block Assembly No. 108-1625

Ref.	Part Number	Qty.	Description
1		1	Block-Manifold ●
3	110-8766	2	Spool-Rotary
3:1	110-8763	1	Seal Kit
4	110-8769	2	Valve-Control, Manual Flow
4:1	110-2633	1	Seal Kit
5	110-8767	2	Rotary Handle ASM
6	353-990	4	Plug ASM
6:1	237-78	1	O-Ring
7	106-1026	6	Plug-HYD
7:1	237-42	1	O-Ring
8	110-8890	2	Element-Logic
8:1	110-8773	1	Seal Kit
9	112-6532	4	Ring-Retaining
10	110-8987	2	Plug-Orifice (0.015 Rw)
11	112-6531	4	Pin-Spring
13	110-8758	2	Handle-Spool

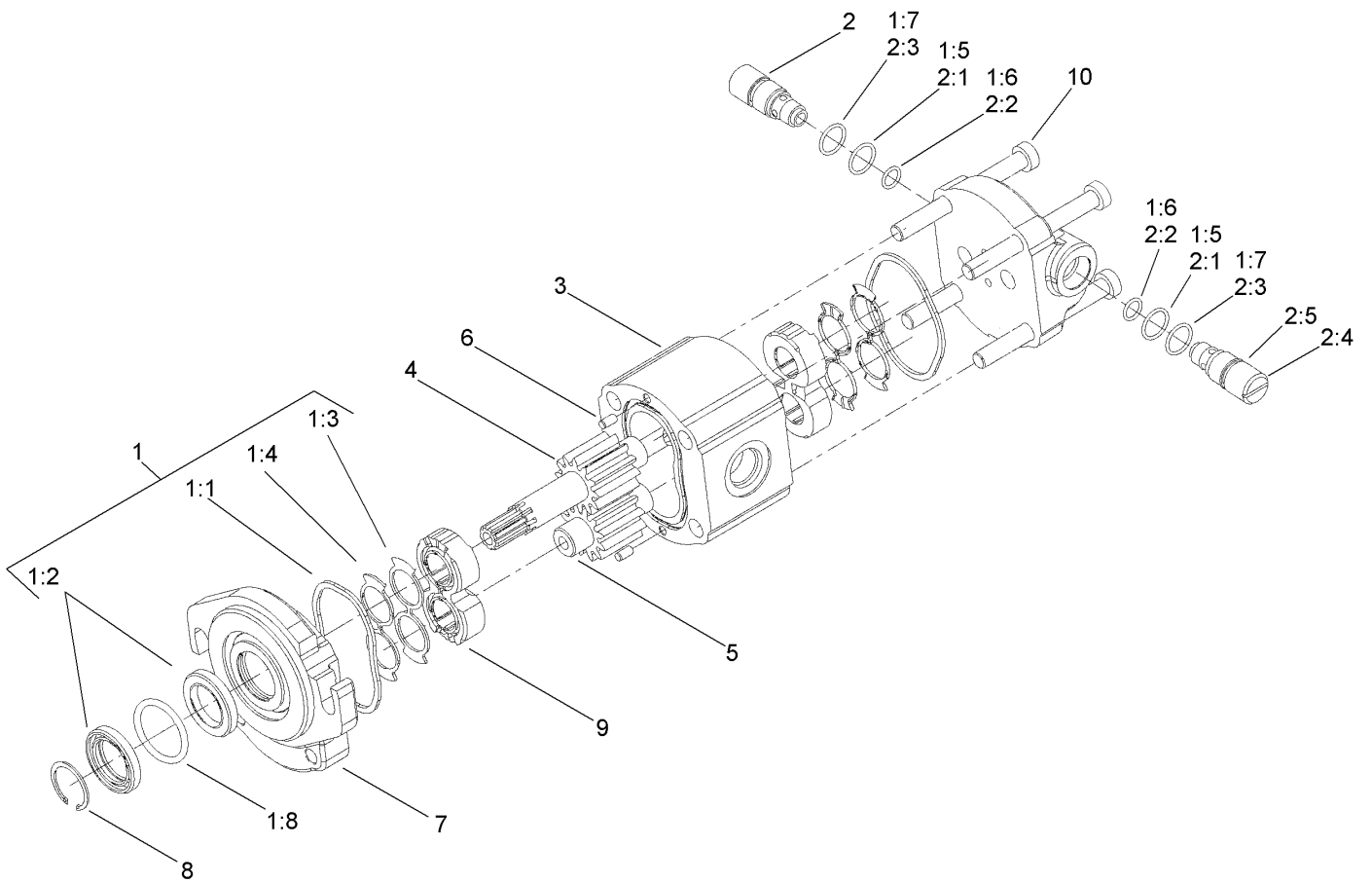
Ref.	Part Number	Qty.	Description
14	110-8762	2	Ball-Chrome
15	110-8761	2	Pin-Dowel
16	110-8888	1	Valve-Relief, Solenoid
16:1	110-6316	1	Seal Kit
16:2	110-2635	1	Nut-Coil
17	72-4310	2	Switch-Ball
18	110-6344	2	Coil-12V, DC
19	110-6345	1	Valve-Relief, Solenoid
19:1	110-6316	1	Seal Kit
19:2	110-2635	1	Nut-Coil
20	110-8887	2	Plug-Orifice (0.055)
21	110-8886	1	Valve-Check
21:1	110-0470	1	Seal Kit
22	106-1027	3	Plug
22:1	237-79	1	O-Ring
23	110-8757	2	O-Ring

● Not serviced separately



Rear Reel Drive System Plumbing and Front Hose Assembly

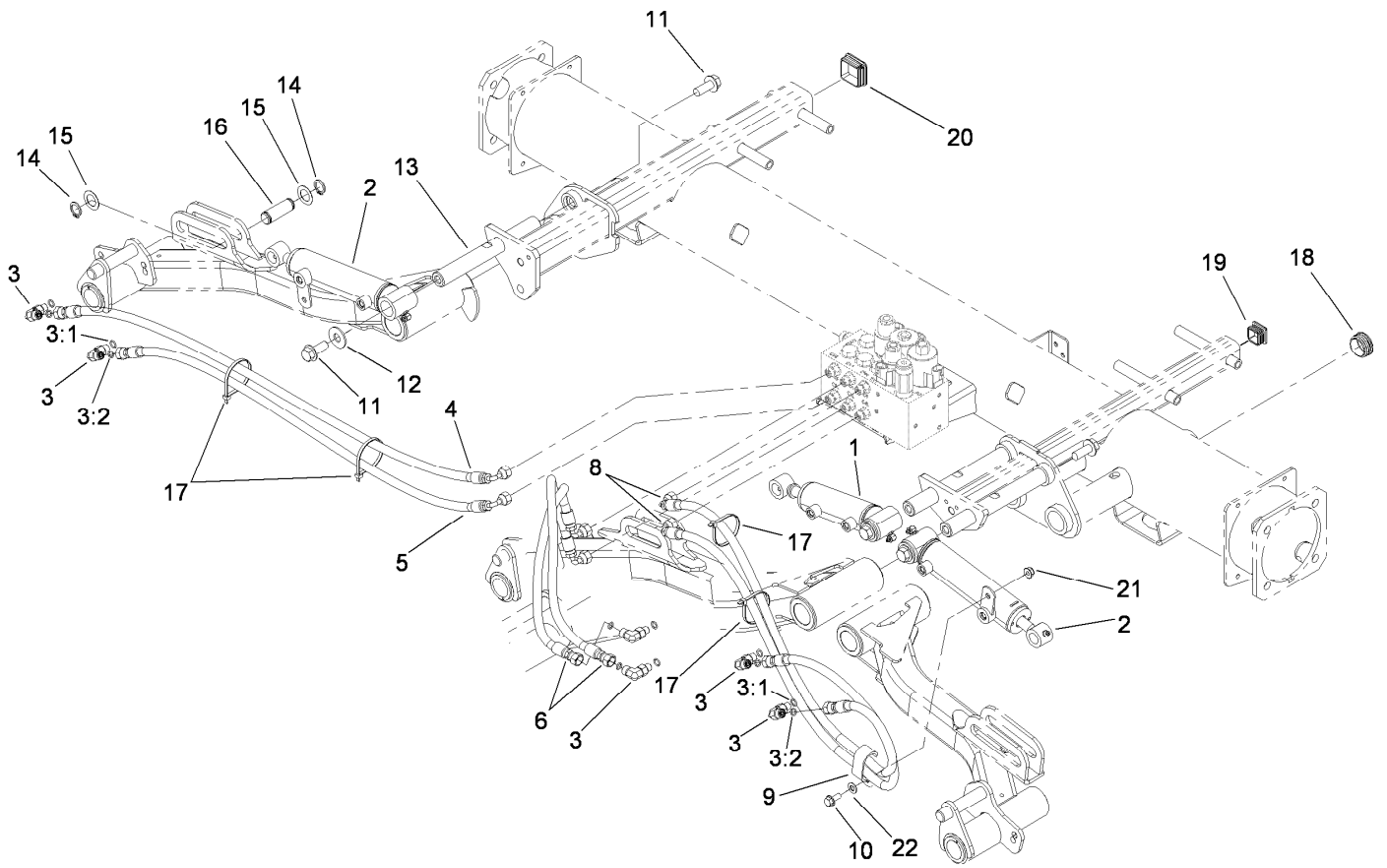
Ref.	Part Number	Qty.	Description	Ref.	Part Number	Qty.	Description
1	110-1717	5	HYD Motor ASM	15	108-1702	1	Tube ASM
2	340-98	9	Fitting-Elbow, 90 DEG	15:1	237-30	2	O-Ring
2:1	237-79	1	O-Ring	16	56-7976	2	Clamp-Tube
2:2	237-30	1	O-Ring	17	108-1703	1	Tube ASM
3	340-92	4	Fitting-Straight	17:1	237-30	1	O-Ring
3:1	237-78	1	O-Ring	18	340-127	4	Nut-Bulkhead
3:2	237-21	1	O-Ring	19	94-5780	1	Screw-HWH
4	340-4	1	Fitting-Straight	20	104-8300	2	Nut-HF, NI
4:1	237-30	1	O-Ring	21	3234-5	1	Screw-HHF
4:2	237-79	1	O-Ring	22	3334-945	15	Tie-Cable
5	108-7585	2	Guide-Hose	23	340-132	1	Fitting-Elbow, 90 DEG
6	108-1814-03	2	Bracket-Bulkhead	23:1	237-78	1	O-Ring
7	32144-57	4	Screw	23:2	237-21	1	O-Ring
8	105-3048	4	Washer-Flat	24	106-3669	1	HYD Hose ASM
9	240-11	8	Bushing-Flange	25	106-3670	1	HYD Hose ASM
10	99-8611	4	Spacer	26	106-3671	1	Hose-HYD
11	114-8887	1	Tube ASM	27	114-8868	4	HYD Hose ASM
11:1	237-21	1	O-Ring	28	106-3680	2	Hose-HYD
12	2412-113	1	Clamp-R	29	106-3672	4	HYD Hose ASM
13	108-1701	1	Tube ASM	30	98-4590	2	Hose-HYD
13:1	237-30	1	O-Ring	31	3229-1	4	Screw-CARR
14	340-78	2	Nut-Lock	32	104-7201	4	Nut-HF, NI



Hydraulic Motor Assembly No. 110-1717

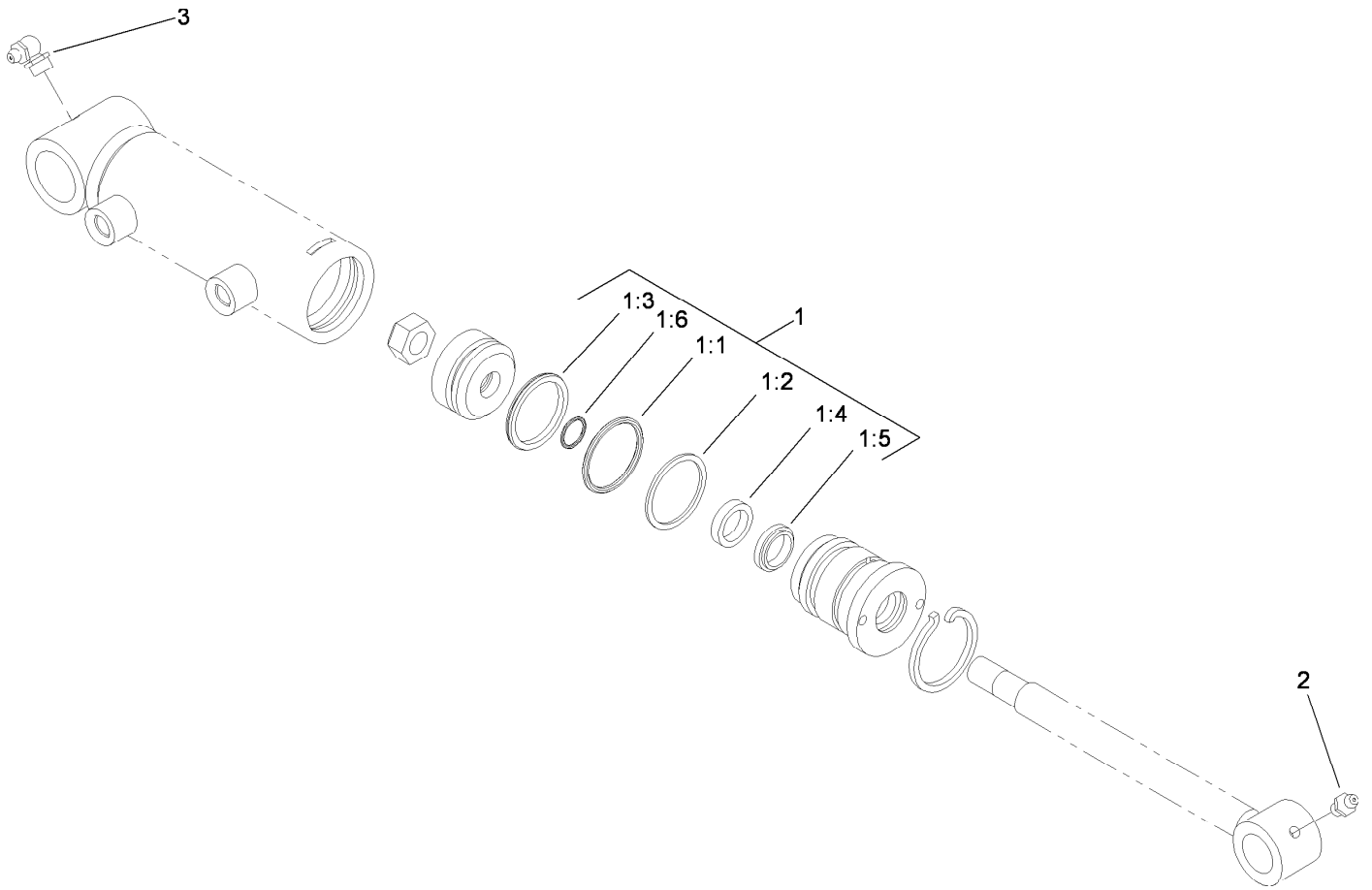
Ref.	Part Number	Qty.	Description
1	110-0040	1	Seal Kit
1:1		2	Ring ●
1:2		2	Seal-Shaft ●
1:3		2	Seal ●
1:4		2	Seal-Anti Extrusion ●
1:5		2	Seal-Valve, Relief ●
1:6		2	Seal-Valve, Relief ●
1:7		2	Ring-Backup ●
1:8		1	Ring-Spacer ●
2	110-0041	2	Relief Cartridge Kit
2:1		1	Seal ●
2:2		1	Seal ●
2:3		1	Ring-Backup ●
2:4		1	Cap-Relief ●
2:5		1	Valve-Relief ●
3		1	Body ●
4		1	Gear-Drive ●
5		1	Gear-Driven ●
6		2	Pin-Dowel ●
7		1	Cover-Front ●
8		1	Ring-Retaining ●
9		2	Block-Bearing ●
10		4	Washer ●

● Not serviced separately



Front Lift Cylinder and Plumbing Assembly

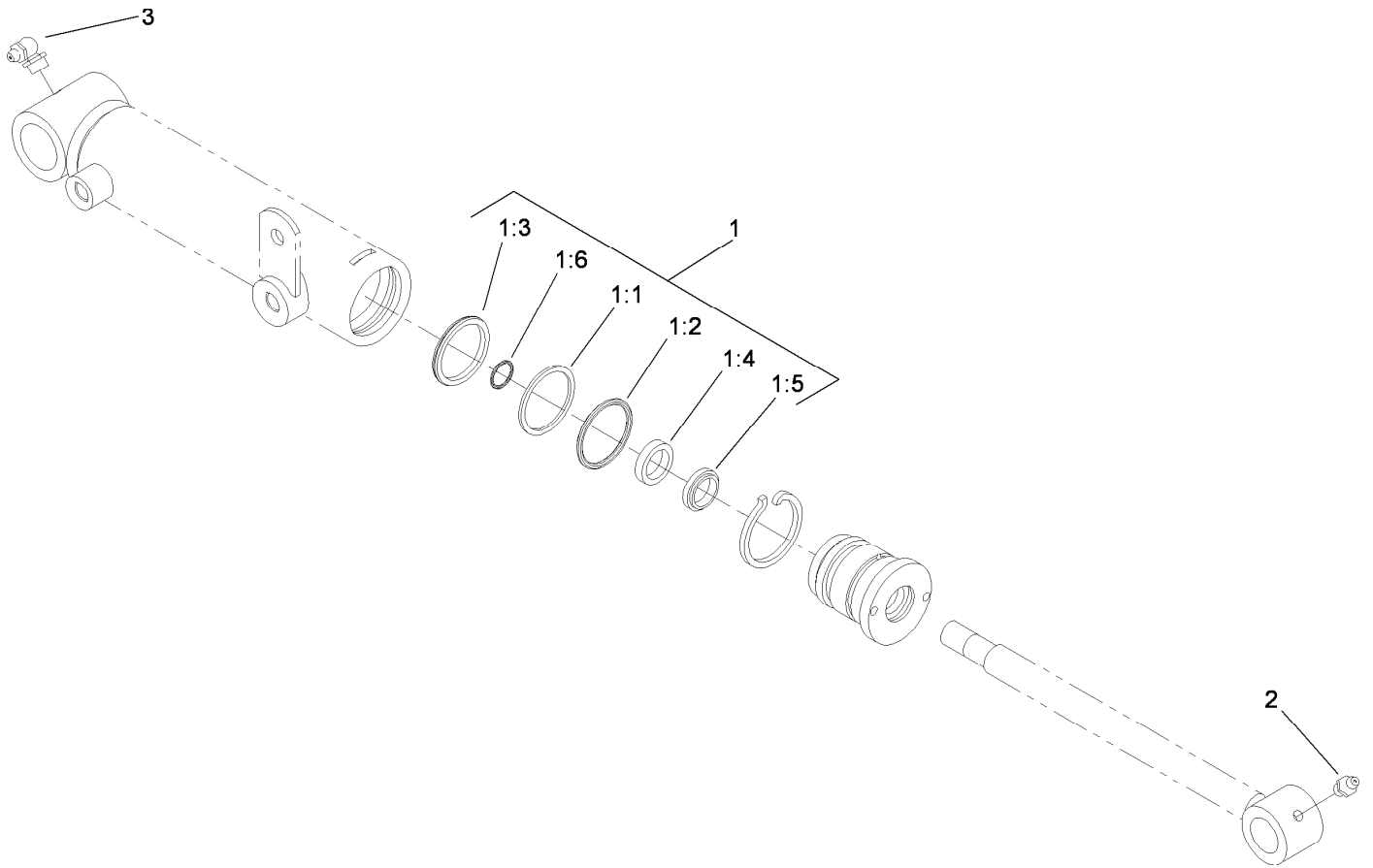
Ref.	Part Number	Qty.	Description
1	110-9034	1	Cylinder-HYD
2	110-9033	2	Cylinder-HYD
3	340-132	6	Fitting-Elbow, 90 DEG
3:1	237-78	1	O-Ring
3:2	237-21	1	O-Ring
4	106-3692	1	Hose-HYD
5	106-3693	1	Hose-HYD
6	93-6887	2	Hose-HYD
8	85-4940	2	Hose-HYD
9	2412-137	1	Clamp-R, Double
10	3234-47	1	Screw-HHF
11	3234-38	6	Screw-HHF
12	3256-6	3	Washer-Flat
13	107-2077	3	Pin-Cylinder
14	32120-93	6	Ring-Retaining
15	3-6498	6	Washer-Thrust
16	104-0046	3	Pin-Slide, Cylinder
17	3290-379	4	Tie-Cable
18	110-9012	3	Caplug
19	110-9013	1	Caplug
20	95-9495	1	Cap
21	104-8300	1	Nut-HF, NI
22	3256-23	1	Washer-Plain



Hydraulic Cylinder Assembly No. 110-9034

<i>Ref.</i>	<i>Part Number</i>	<i>Qty.</i>	<i>Description</i>
1	114-8873	1	Seal Kit
1:1		1	O-Ring ●
1:2		1	Backup ●
1:3		1	Seal-Bp ●
1:4		1	Bs Seal ●
1:5		1	Dust Seal ●
1:6		1	O-Ring ●
2	302-5	1	Fitting-Grease
3	302-60	1	Fitting-Grease

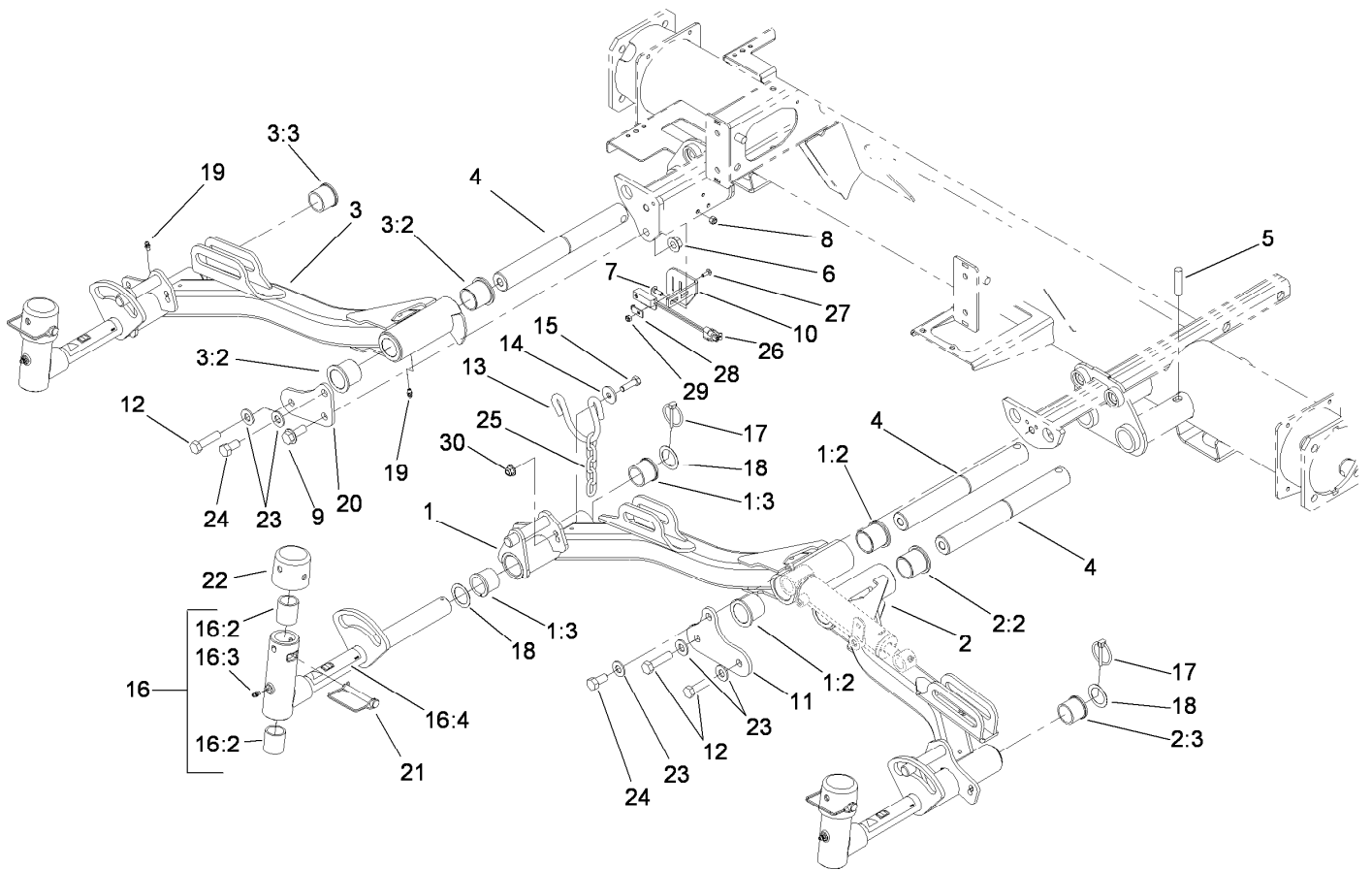
● Not serviced separately



Hydraulic Cylinder Assembly No. 110-9033

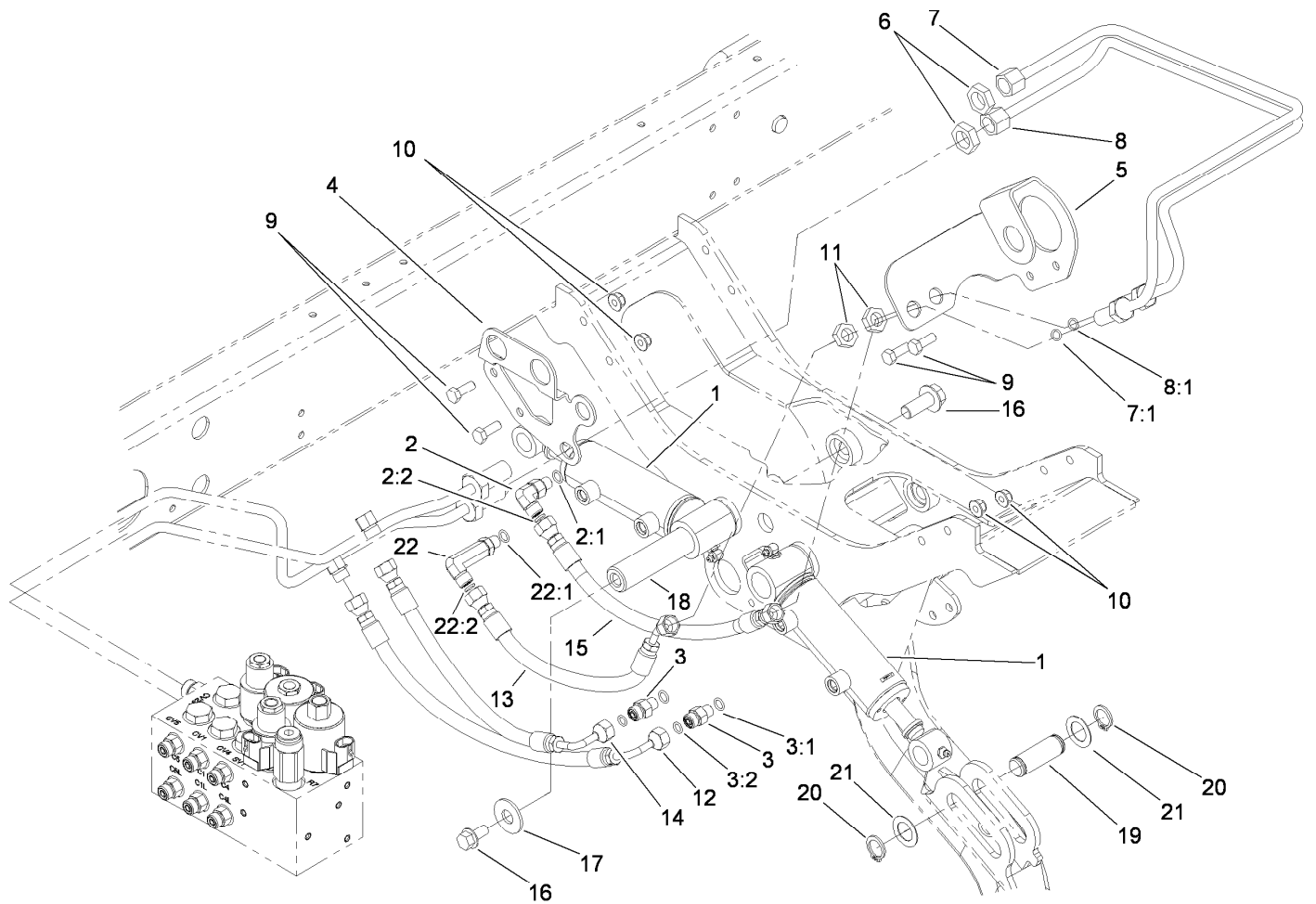
<i>Ref.</i>	<i>Part Number</i>	<i>Qty.</i>	<i>Description</i>
1	114-8873	1	Seal Kit
1:1		1	O-Ring ●
1:2		1	Backup ●
1:3		1	Seal-Bp ●
1:4		1	Bs Seal ●
1:5		1	Dust Seal ●
1:6		1	O-Ring ●
2	302-5	1	Fitting-Grease
3	302-60	1	Fitting-Grease

● Not serviced separately



Front Lift Arm Assembly

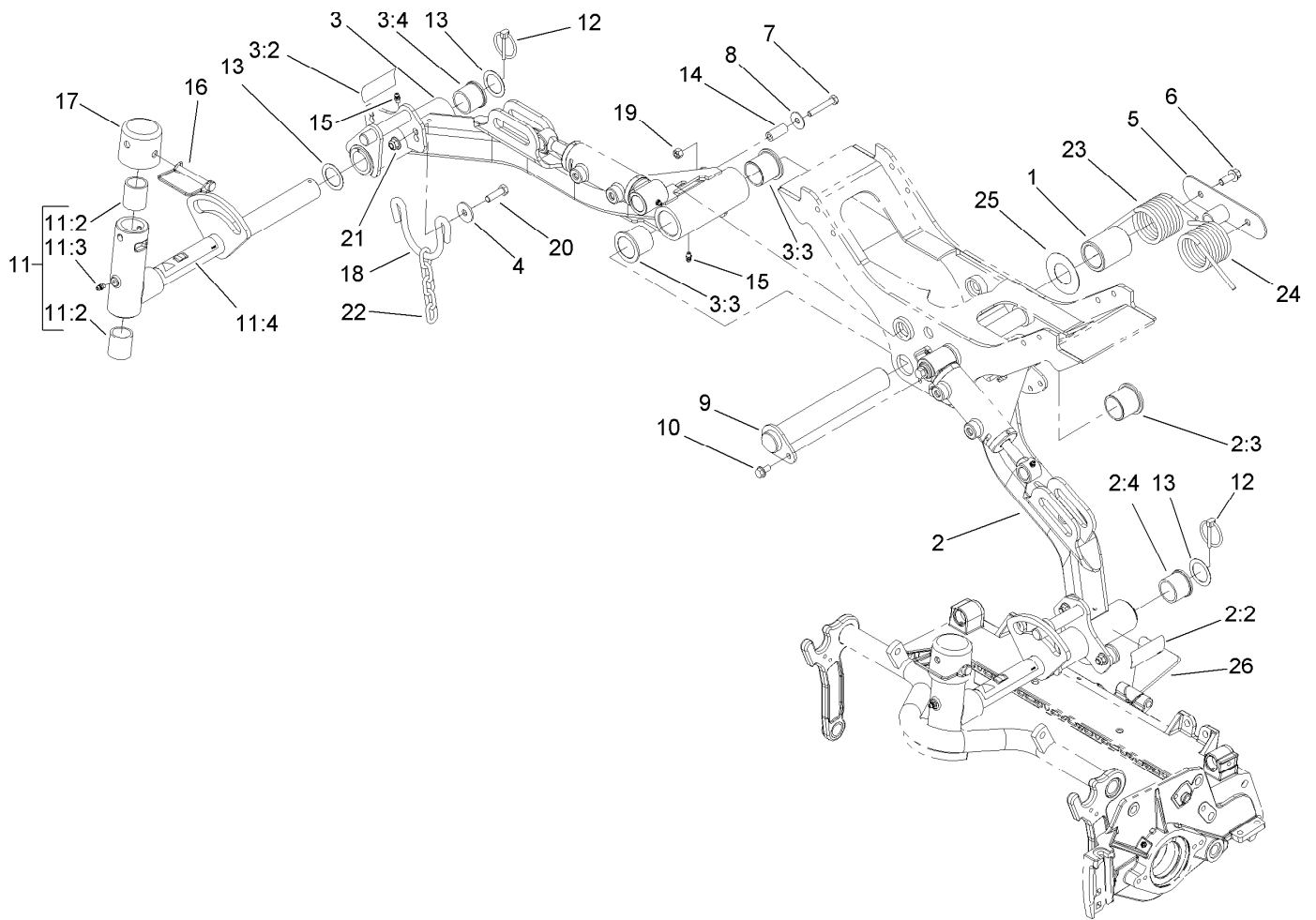
Ref.	Part Number	Qty.	Description	Ref.	Part Number	Qty.	Description
1	110-0991	1	No. 1 Lift Arm ASM	15	323-7	6	Screw-HH
1:2	69-6470	2	Bushing-Caster	16	107-2052	3	Pivot Yoke ASM
1:3	104-0015	2	Bushing-Flange	16:2	256-254	2	Bushing
2	114-8874	1	No. 4 Lift Arm ASM	16:3	302-5	1	Fitting-Grease
2:2	69-6470	2	Bushing-Caster	16:4	110-9642	1	Decal-Warning
2:3	104-0015	2	Bushing-Flange	17	92-1298	3	Pin-Lynch
3	110-0995	1	No. 5 Lift Arm ASM	18	76-2980	6	Washer-Thrust
3:2	69-6470	2	Bushing-Caster	19	302-5	6	Fitting-Grease
3:3	104-0015	2	Bushing-Flange	20	110-0939-01	1	Plate-Bridge, No. 5
4	95-8531	3	Shaft-Pivot, Liftarm	21	107-7400	3	Pin-Lynch
5	32121-122	3	Pin-Roll	22	107-4027	3	Cap
6	32128-23	1	Nut-HF	23	87-7270	5	Washer-Thrust
7	3229-1	2	Screw-CARR	24	3213-1	2	Screw-HH
8	3296-42	2	Nut-Lock, NI	25	84-2451	3	Chain-Straight, 5 Link
9	3234-38	1	Screw-HHF	26	105-0023	1	Switch-Proximity
10	110-0919	1	Bracket-Switch	27	3229-34	1	Screw-CARR
11	110-0938-01	1	Plate-Bridge	28	100-4872	1	Plate-Switch, Neutral
12	325-8	3	Screw-HH	29	3296-2	1	Nut-Lock, NI
13	110-0922	3	Hoop-Chain	30	104-8301	6	Nut-HF, NI
14	63-8410	6	Washer				



Rear Lift Cylinder and Plumbing Assembly

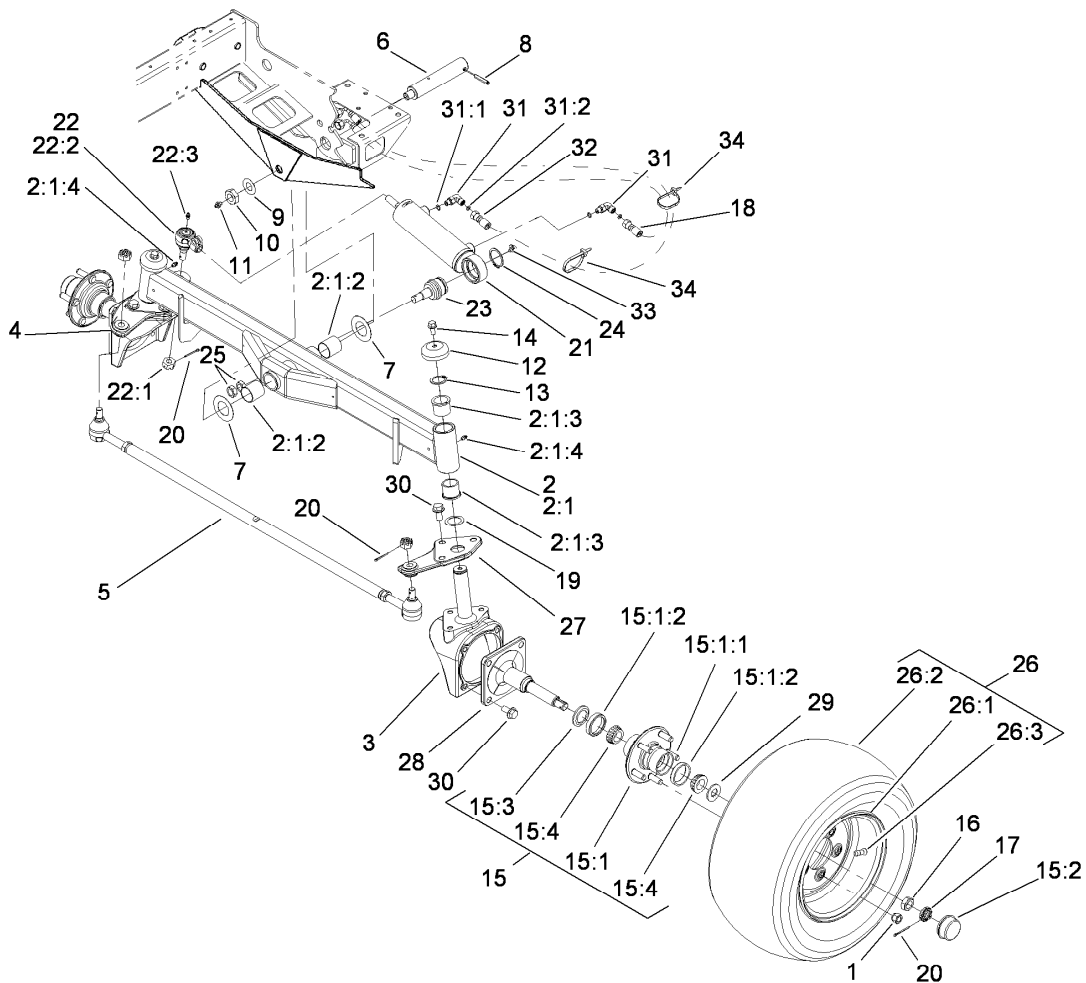
Ref.	Part Number	Qty.	Description
1	110-9034	2	Cylinder-HYD
2	340-132	1	Fitting-Elbow, 90 DEG
2:1	237-78	1	O-Ring
2:2	237-21	1	O-Ring
3	340-92	2	Fitting-Straight
3:1	237-78	1	O-Ring
3:2	237-21	1	O-Ring
4	110-0918-01	1	Bracket-Bulkhead, RH
5	110-0917-01	1	Bracket-Bulkhead, LH
6	340-70	2	Nut-Lock
7	110-0915	1	Tube ASM
7:1	237-21	1	O-Ring
8	110-0916	1	Tube ASM
8:1	237-21	1	O-Ring
9	322-4	4	Screw-HH

Ref.	Part Number	Qty.	Description
10	104-8300	4	Nut-HF, NI
11	340-78	2	Nut-Lock
12	110-0930	1	Hose-HYD
13	110-8966	1	Hose-HYD
14	110-0929	1	Hose-HYD
15	110-0931	1	Hose-HYD
16	3234-38	4	Screw-HHF
17	3256-6	2	Washer-Flat
18	107-2077	2	Pin-Cylinder
19	104-0046	2	Pin-Slide, Cylinder
20	32120-93	4	Ring-Retaining
21	3-6498	4	Washer-Thrust
22	100-7695	1	Fitting-Elbow 90
22:1	237-78	1	O-Ring
22:2	237-21	1	O-Ring



Rear Lift Arm Assembly

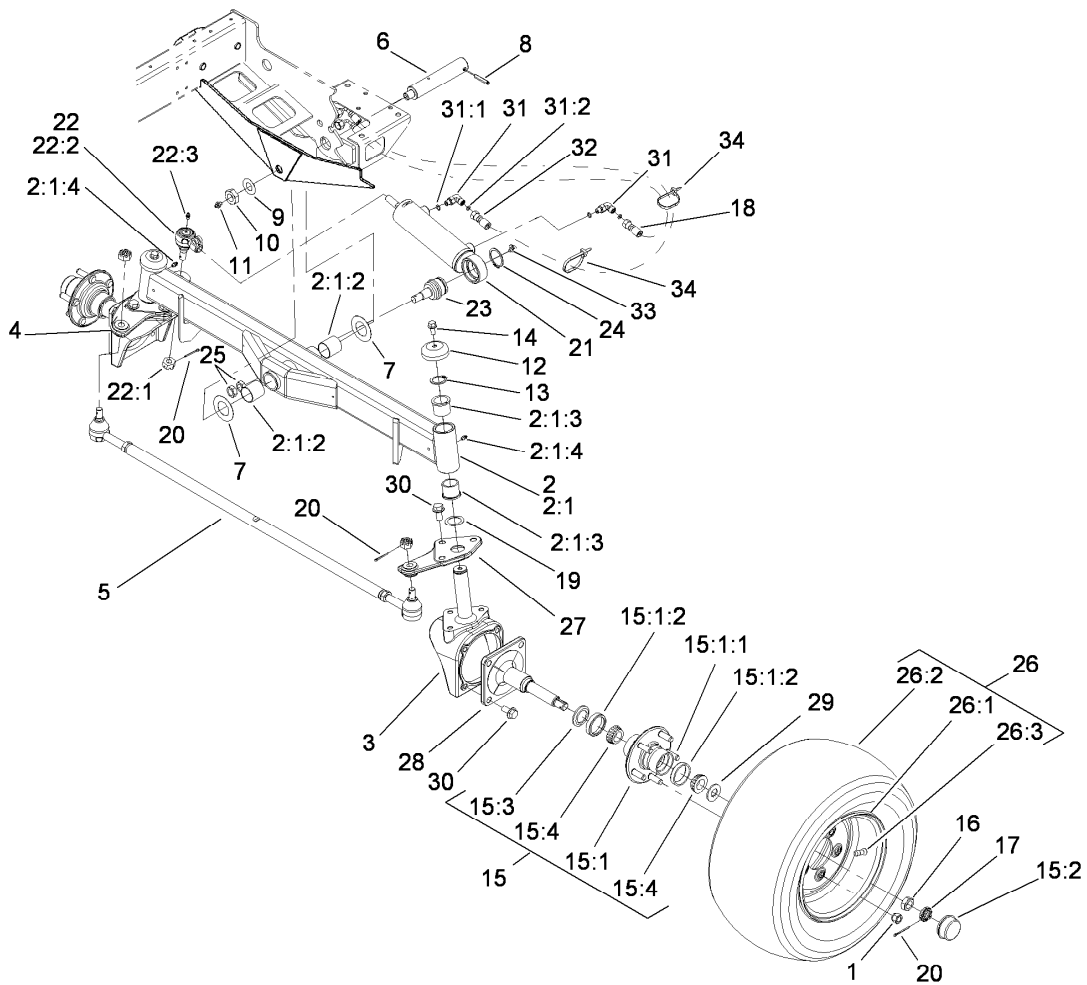
<i>Ref.</i>	<i>Part Number</i>	<i>Qty.</i>	<i>Description</i>	<i>Ref.</i>	<i>Part Number</i>	<i>Qty.</i>	<i>Description</i>
1	110-5339	2	Spacer	11:3	302-5	1	Fitting-Grease
2	110-0992	1	No. 2 Lift Arm ASM	11:4	110-9642	1	Decal-Warning
2:2	93-6696	1	Decal-Warning	12	92-1298	2	Pin-Lynch
2:3	69-6470	2	Bushing-Caster	13	76-2980	4	Washer-Thrust
2:4	104-0015	2	Bushing-Flange	14	103-0384	2	Spacer
3	110-0993	1	No. 3 Lift Arm ASM	15	302-5	4	Fitting-Grease
3:2	93-6696	1	Decal-Warning	16	107-7400	2	Pin-Lynch
3:3	69-6470	2	Bushing-Caster	17	107-4027	2	Cap
3:4	104-0015	2	Bushing-Flange	18	110-0922	2	Hoop-Chain
4	63-8410	4	Washer	19	3296-29	2	Nut-Lock, NI
5	110-8874-03	1	Catch	20	323-7	4	Screw-HH
6	3234-11	2	Screw-HHF	21	104-8301	4	Nut-HF, NI
7	322-10	2	Screw-HH	22	84-2451	2	Chain-Straight, 5 Link
8	3256-35	2	Washer-Flat	23	99-5608-03	1	Spring-Torsion, RH
9	107-2062	2	Pin	24	99-5609-03	1	Spring-Torsion, LH
10	32144-14	2	Screw-HWHTF	25	110-5345	2	Washer
11	107-2052	2	Pivot Yoke ASM	26	110-4088-03	1	Kickstand
11:2	256-254	2	Bushing				



Rear Axle Assembly

Ref.	Part Number	Qty.	Description	Ref.	Part Number	Qty.	Description
1	242-50	10	Nut-Lug	16	3220-7	2	Nut-Jam
2	107-4546-03	1	Axle ASM	17	93-0307	2	Nut-Lock, Retainer
2:1		1	Axle ●	18	110-0928	1	Hose-HYD
2:1:2	99-6964	2	Bushing-Axle	19	76-2980	2	Washer-Thrust
2:1:3	104-0015	4	Bushing-Flange	20	3272-12	5	Pin-Cotter
2:1:4	302-5	2	Fitting-Grease	21	110-9035	1	HYD Cylinder ASM
3	107-4517-03	2	Housing-Motor	22	106-6895	1	Joint-Ball
4	110-5295-03	1	Link-Drag, RH	22:1	32136-13	1	Nut-SHH
5	110-5334-03	1	Tie Rod ASM	22:2	106-6896	1	Seal
6	98-8173	1	Pin-Pivot, Axle	22:3	302-5	1	Fitting-Grease
7	99-8432	2	Washer-Thrust	23	106-6774	1	Joint-Ball
8	32121-32	1	Pin-Roll	24	32151-104	1	Ring-Retaining, External
9	71-4540	1	Washer-Thrust	25	3220-6	2	Nut-Jam
10	32146-20	1	Nut-Hex	26	108-1602	2	Wheel And Tire ASM
11	302-33	1	Fitting-Grease	26:1	108-1600	1	Rim
12	69-8890	2	Cap-Spindle	26:2	104-0451	1	Tire-Turf, Trac
13	32151-77	2	Ring-Retaining, External	26:3	232-27	1	Stem-Valve
14	3234-1	2	Screw-HHF	27	110-5297-03	1	Link-Drag, LH
15		2	Hub ASM ●	28	110-5299-03	2	Spindle
15:1	21-2820	1	Hub	29	93-0309	2	Washer-Tab
15:1:1	10-6830	5	Stud-Type, Drive	30	3234-6	14	Screw-HHF
15:1:2	254-72	2	Bearing-Cup, Tapered	31	340-132	2	Fitting-Elbow, 90 DEG
15:2	241-119	1	Cap-Dust	31:1	237-78	1	O-Ring
15:3	253-129	1	Seal	31:2	237-21	1	O-Ring
15:4	254-94	2	Bearing-Cone, Tapered	32	110-0973	1	Hose-HYD

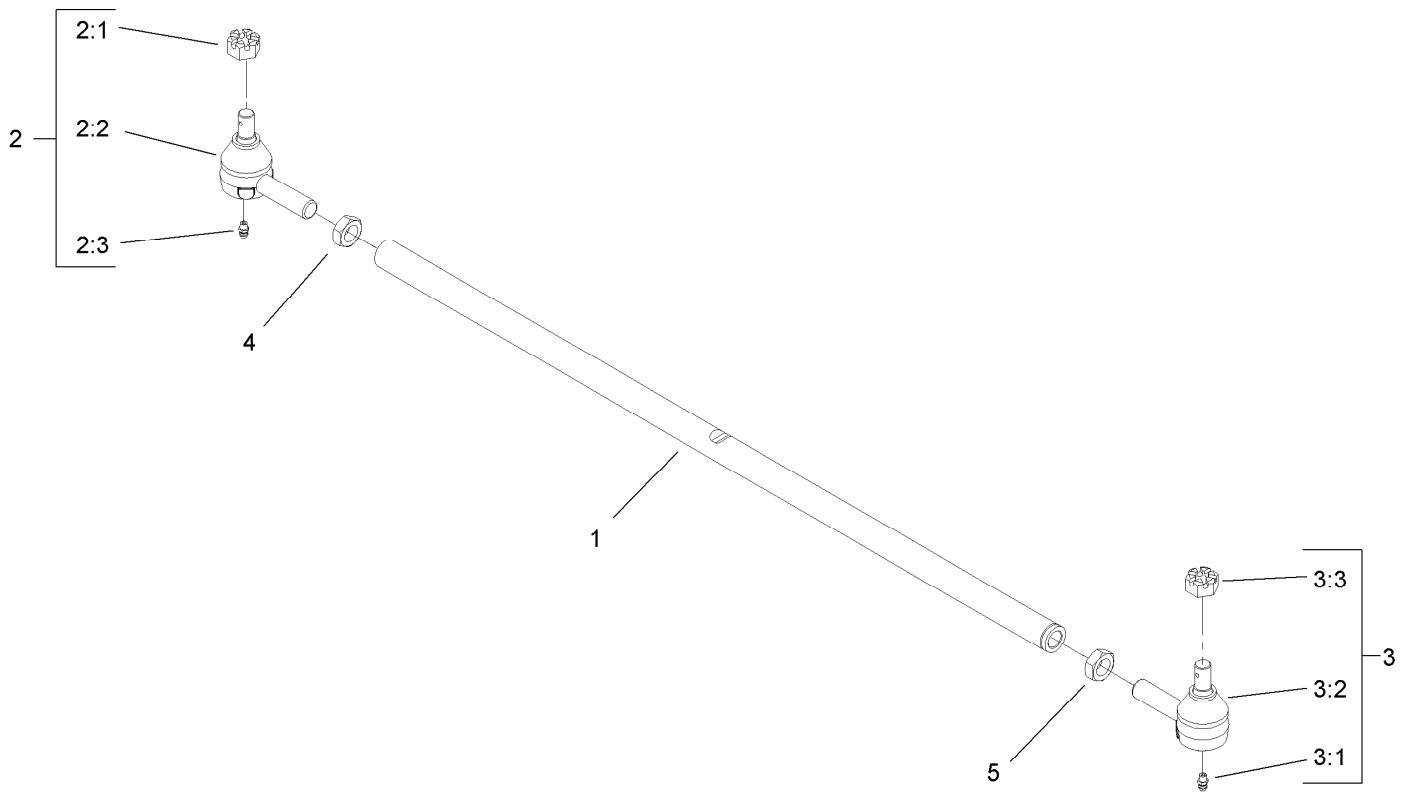
● Not serviced separately



Rear Axle Assembly (continued)

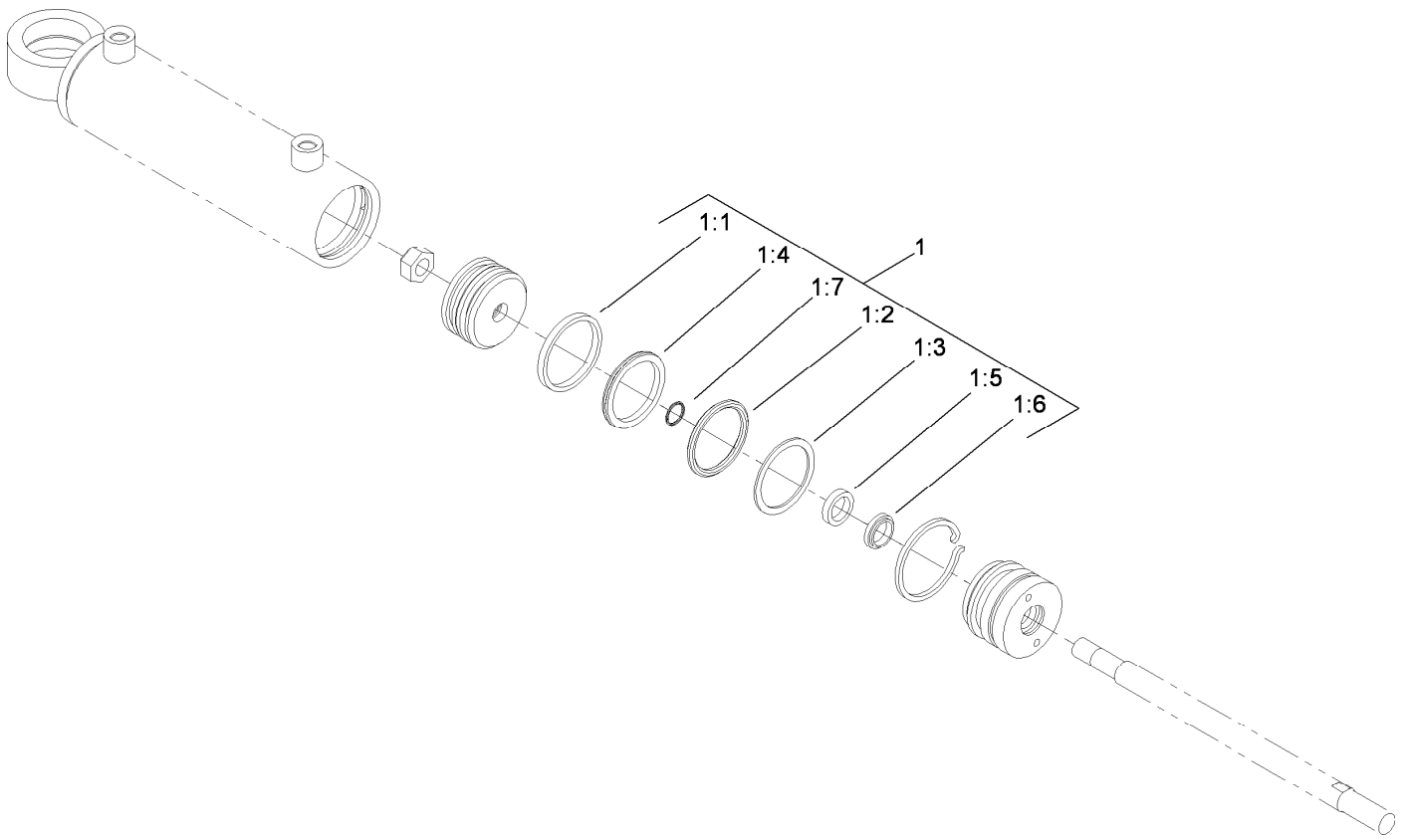
Ref.	Part Number	Qty.	Description
33	302-40	1	Fitting-Grease, 90 DEG
34	3290-378	2	Tie-Cable

● Not serviced separately



Tie Rod Assembly No. 110-5334-03

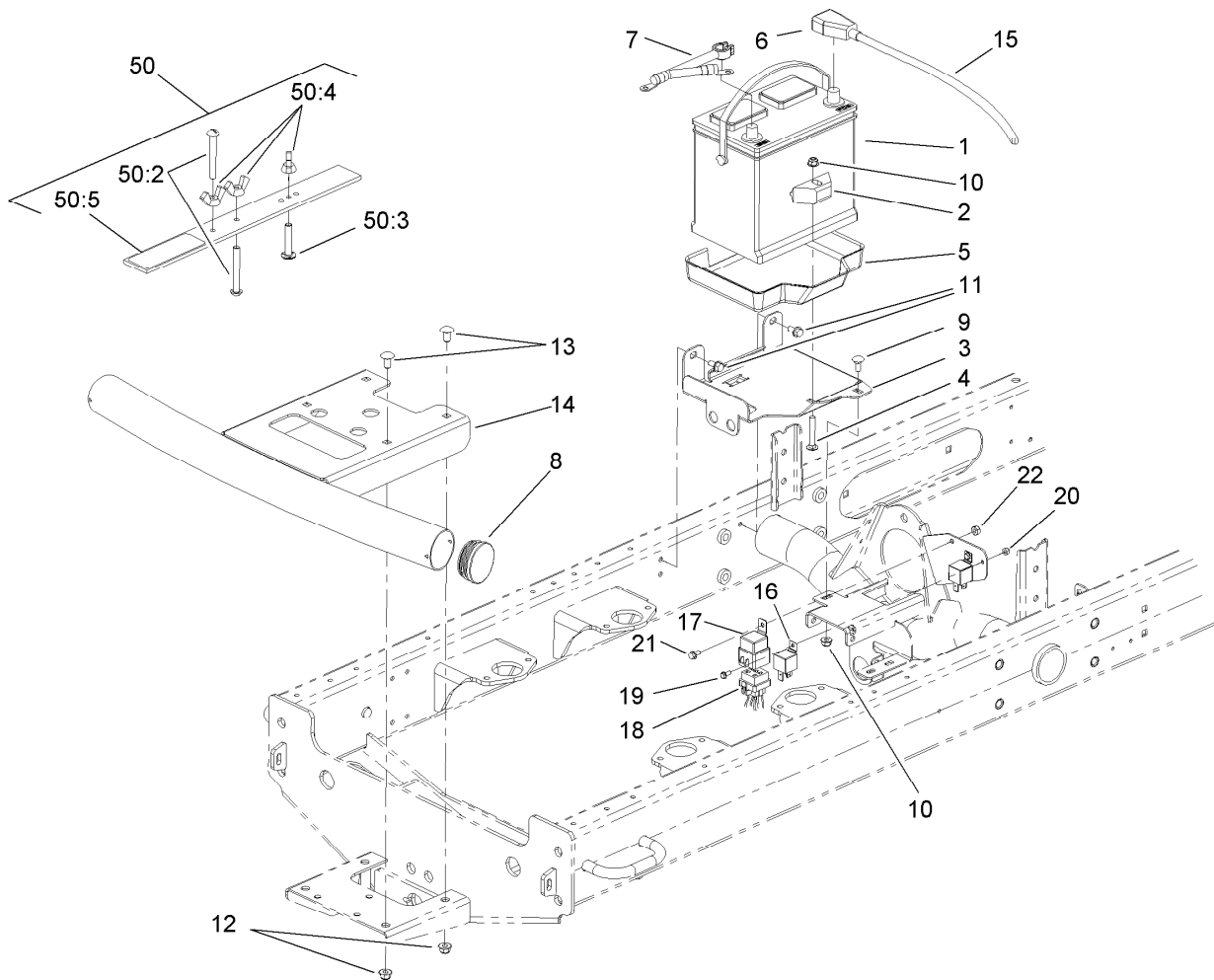
<i>Ref.</i>	<i>Part Number</i>	<i>Qty.</i>	<i>Description</i>
1	110-5335	1	Rod-Tie
2	71-4740	1	End-Rod, Tie (RH)
2:1	105-7941	1	Nut-Hex, Slotted
2:2	105-7835	1	Seal
2:3	302-5	1	Fitting-Grease
3	2411-46	1	End-Rod, Tie (LH)
3:1	302-5	1	Fitting-Grease
3:2	105-7835	1	Seal
3:3	105-7941	1	Nut-Hex, Slotted
4	84-5300	1	Nut-Jam
5	110-5337	1	Nut-Jam



Hydraulic Cylinder Assembly No. 110-9035

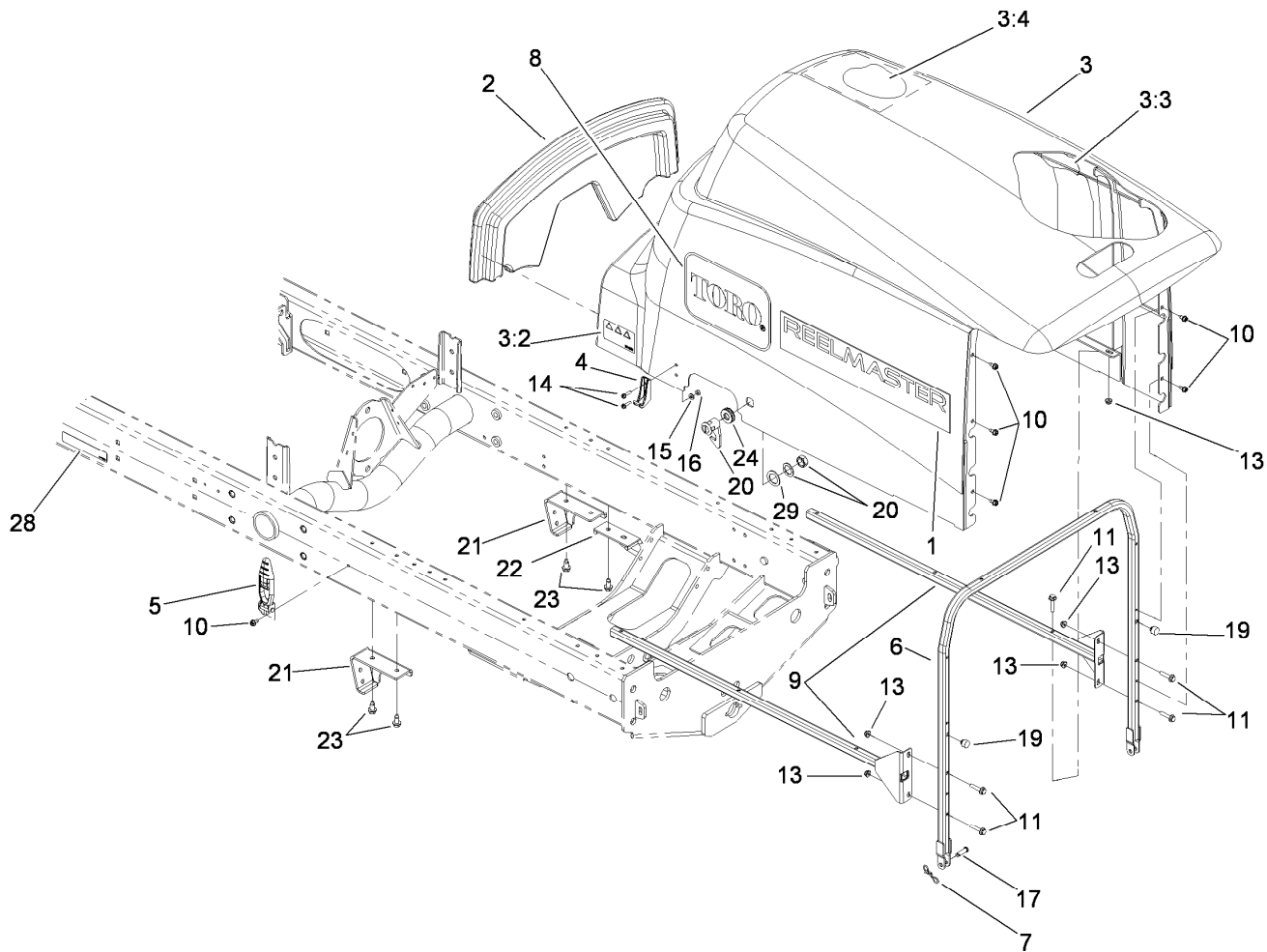
<i>Ref.</i>	<i>Part Number</i>	<i>Qty.</i>	<i>Description</i>
1	114-8875	1	Seal Kit
1:1		1	Wear Ring ●
1:2		1	O-Ring ●
1:3		1	Backup ●
1:4		1	Seal-Bp ●
1:5		1	Bs Seal ●
1:6		1	Dust Seal ●
1:7		1	O-Ring ●

● Not serviced separately



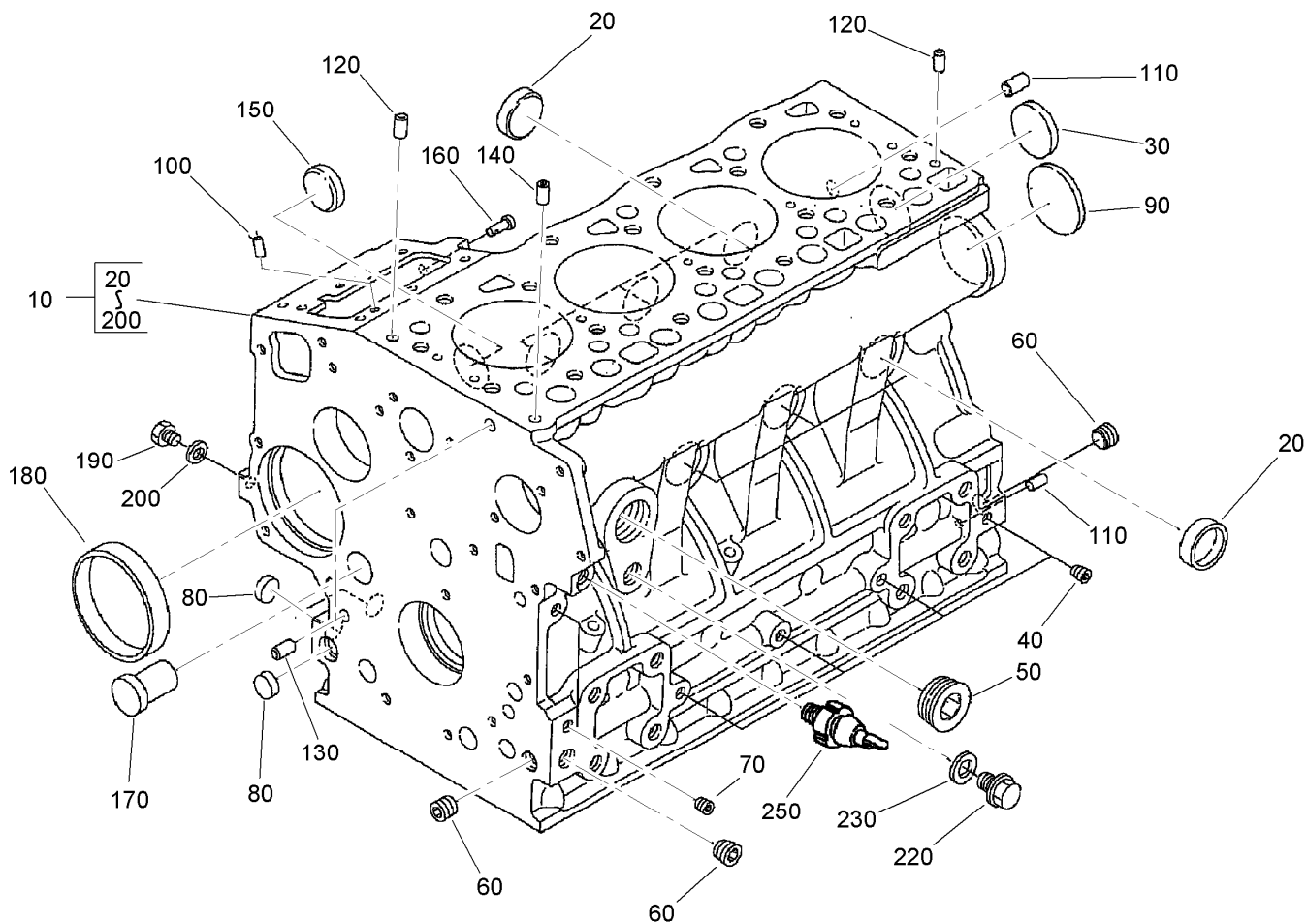
Battery and Bumper Assembly

<i>Ref.</i>	<i>Part Number</i>	<i>Qty.</i>	<i>Description</i>	<i>Ref.</i>	<i>Part Number</i>	<i>Qty.</i>	<i>Description</i>
1	104-9979	1	Battery	15	108-9455	1	Harness-Wire, Fusible Link
2	66-2490	1	Retainer-Battery	16	99-7435	2	Relay
3	110-0907-01	1	Bracket-Battery	17	99-7430	1	Relay-Mini
4	3230-6	1	Bolt-CARR	18	110-9047	1	Harness-Wire, Main
5	99-3513	1	Tray-Battery	19	3290-321	2	Screw-HWH
6	108-1802	1	Cable-Battery, Positive	20	3296-2	2	Nut-Lock, NI
7	110-8813	1	Cable-Battery, Negative	21	3234-13	1	Screw-HHF
8	2410-42	2	Cap-End	22	3296-42	1	Nut-Lock, NI
9	3230-1	1	Bolt-CARR	50	108-6715	1	Gauge Bar ASM
10	104-8300	2	Nut-HF, NI	50:2	32122-54	2	Screw-Head, Truss
11	32104-32	2	Screw-HWH	50:3	108-6714	1	Stud-Weld
12	104-8301	4	Nut-HF, NI	50:4	32103-3	3	Nut-Wing
13	3231-21	4	Screw-CARR	50:5	108-6712	1	Decal-Gauge, Bar
14	110-8951-03	1	Bumper				



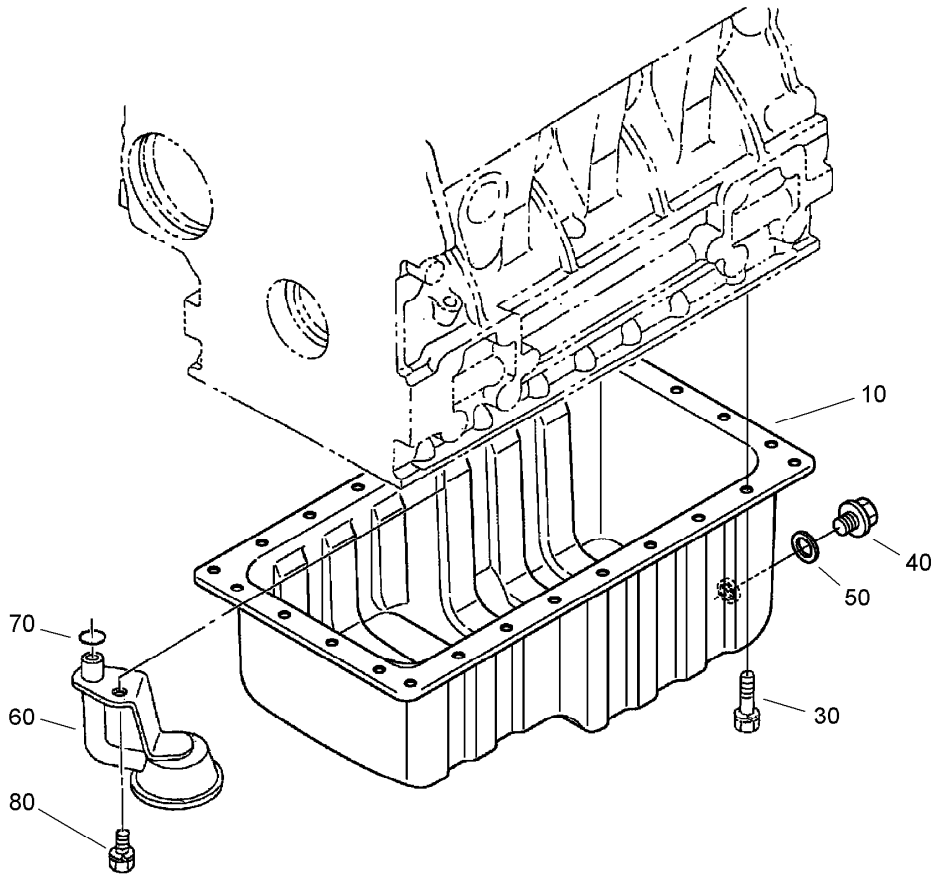
Hood and Body Panel Assembly

<i>Ref.</i>	<i>Part Number</i>	<i>Qty.</i>	<i>Description</i>	<i>Ref.</i>	<i>Part Number</i>	<i>Qty.</i>	<i>Description</i>
1	110-0964	2	Decal	13	104-7201	10	Nut-HF, NI
2	108-7587	1	Saddle-Hood	14	32105-13	4	Screw-HWH
3	110-8994	1	Hood ASM	15	3256-14	4	Washer-Flat
3:2	106-6754	1	Decal-Danger	16	3296-12	4	Nut-Lock, NI
3:3	110-5252	1	Foam-Sealed	17	283-61	2	Pin-Yoke
3:4	110-9002	1	Foil Tape Kit	19	107-8042	2	Bumper-Rubber
4	103-2897	2	Latch-Catch	20	98-5398	1	Latch
5	103-2898	2	Latch-Rubber	21	110-0979-03	2	Bracket-Deflector
6	108-1762-03	1	Tube ASM	22	110-8999	1	Guard-Muffler
7	105-7512	2	Pin-Tie, Bow	23	32104-32	6	Screw-HWH
8	66-6140	2	Decal	24	104-1453	1	Grommet
9	108-1790-03	2	Tube	28	93-6689	2	Decal-No Riders
10	32104-17	8	Screw-HWH	29	99-4958	1	Spacer
11	3234-21	10	Screw-HHF				



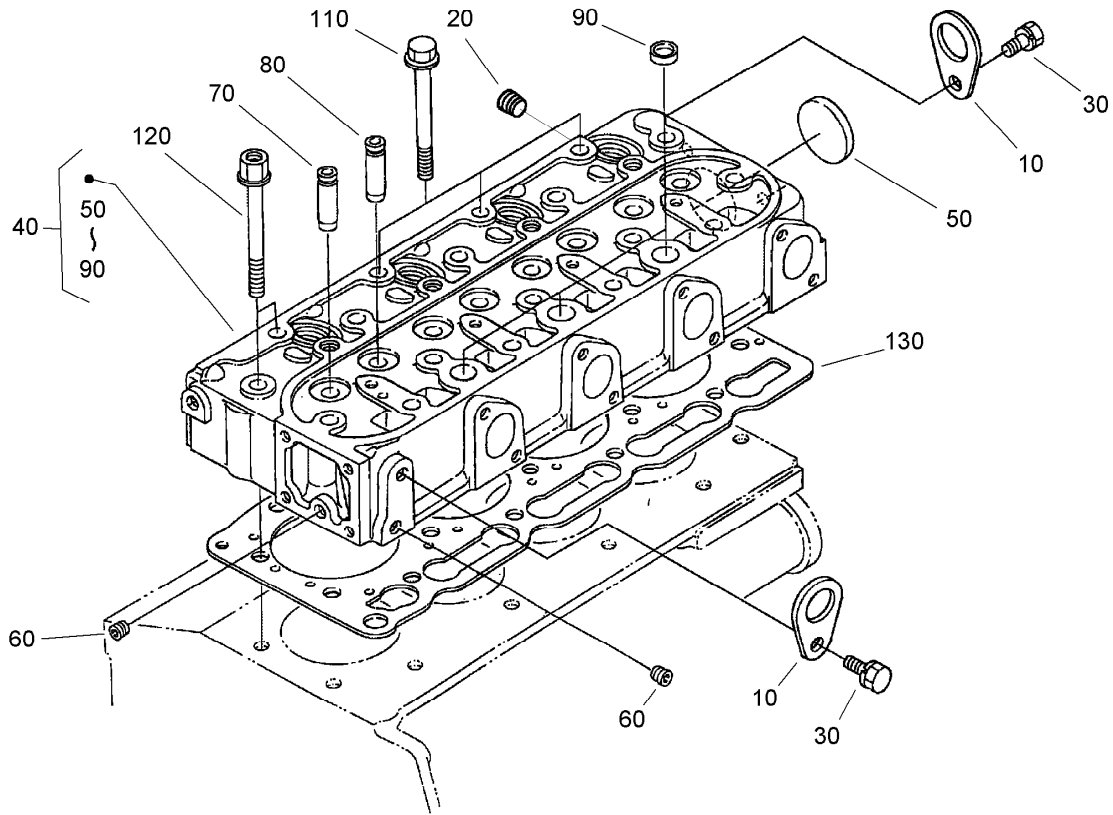
Crankcase Assembly

<i>Ref.</i>	<i>Part Number</i>	<i>Qty.</i>	<i>Description</i>
10	108-2851	1	Crankcase ASM
20	98-9398	6	Cap-Sealing
30	98-7539	1	Cap-Sealing
40	98-7540	4	Plug
50	105-3779	1	Plug
60	98-9597	3	Plug
70	98-7487	2	Plug
80	98-7489	3	Plug
90	98-9668	1	Plug-Expansion
100	98-9375	2	Pin-Straight
110	98-9377	2	Pin-Straight
120	105-3795	2	Pin-Straight
130	98-9387	2	Pin-Pipe
140	98-9539	1	Pin-Pipe
150	98-9599	1	Plug
160	105-3796	1	Pin-Spring, Start
170	98-9675	1	Plug
180	98-9656	1	Bushing-Governor, Gear
190	98-7507	1	Plug
200	98-7428	1	Gasket
220	99-3447	1	Plug
230	106-7056	1	Gasket
250	98-9416	1	Switch-Oil



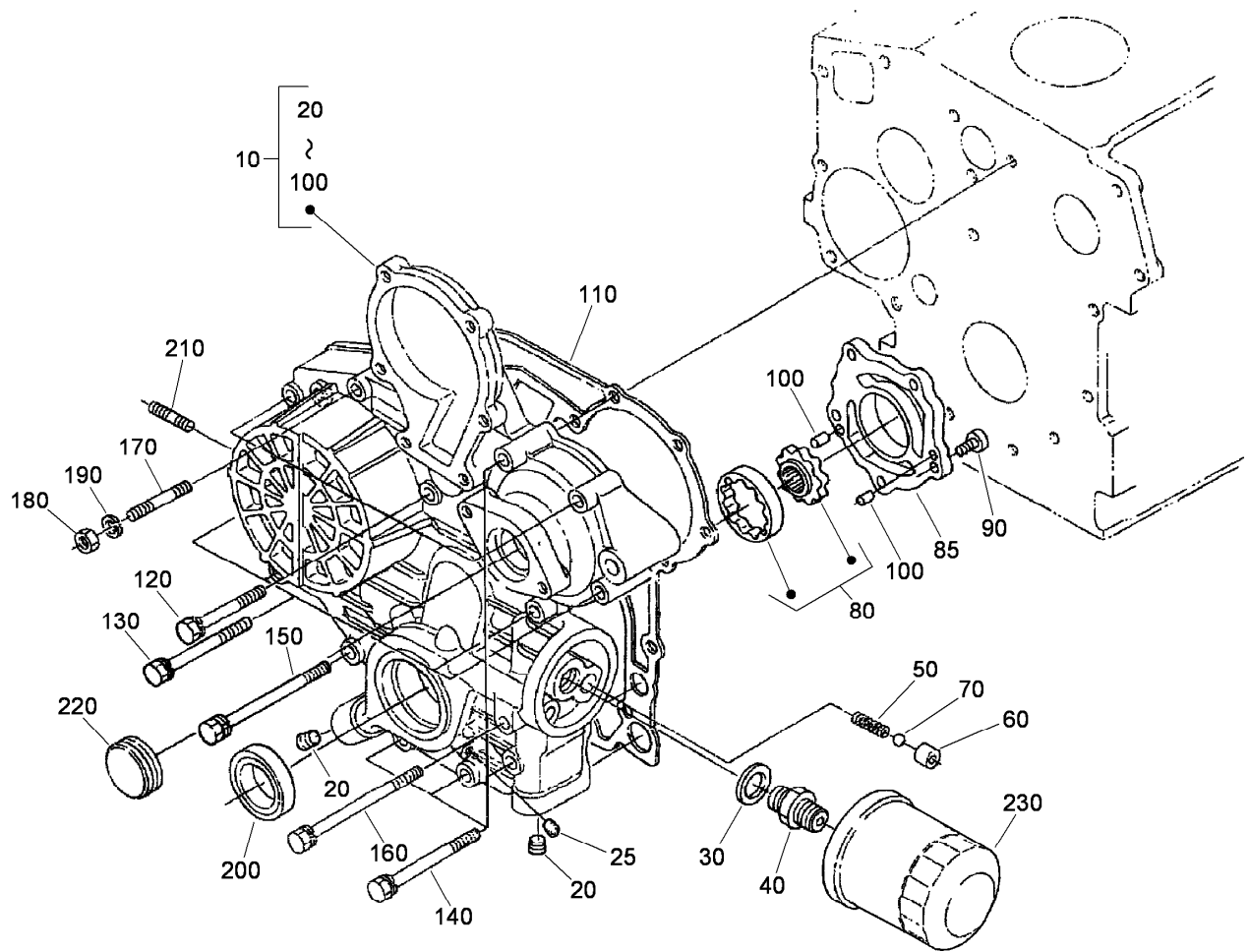
Oil Pan Assembly

<i>Ref.</i>	<i>Part Number</i>	<i>Qty.</i>	<i>Description</i>
10	112-0186	1	Oil Pan ASM
30	107-9065	26	Bolt
40	108-6572	1	Plug-Drain
50	110-3704	1	Gasket
60	112-7003	1	Head-Filter, Oil
70	105-3776	1	O-Ring
80	98-7526	1	Bolt



Cylinder Head Assembly

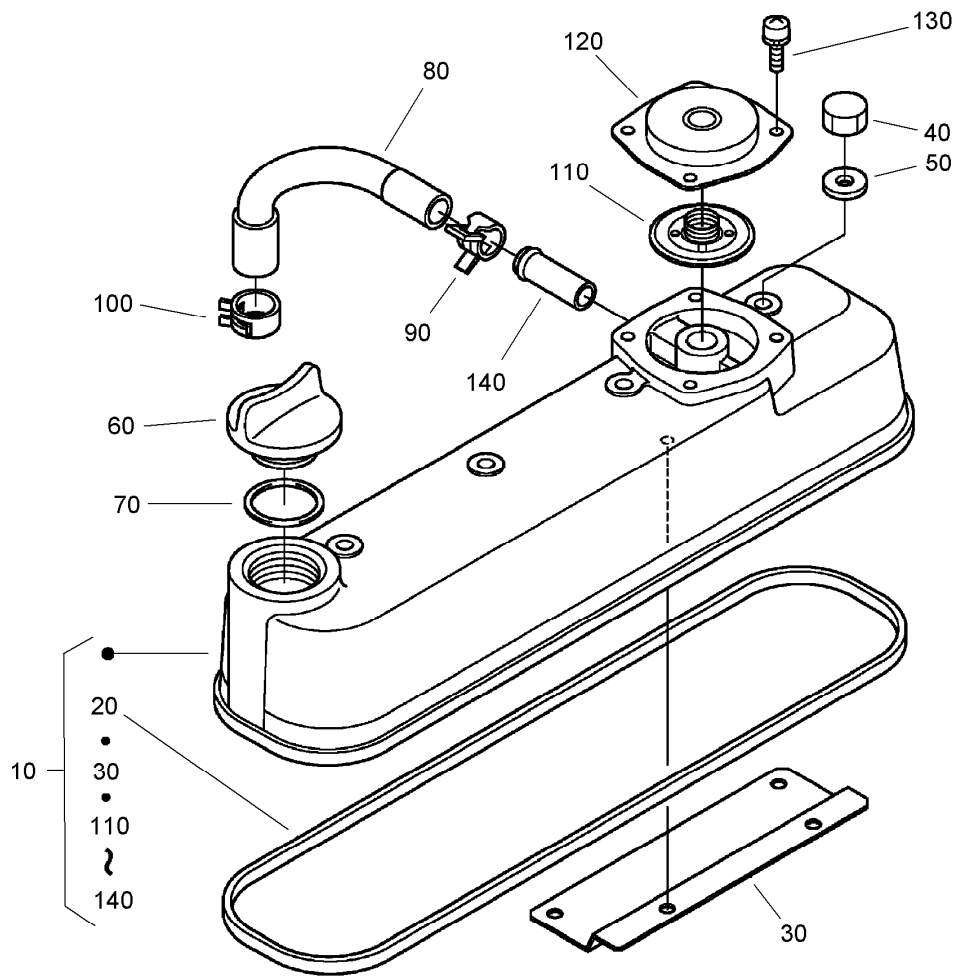
<i>Ref.</i>	<i>Part Number</i>	<i>Qty.</i>	<i>Description</i>
10	98-7531	2	Hook-Engine
20	98-9444	1	Plug
30	100-9195	2	Bolt
40	108-2854	1	Cylinder Head ASM
50	98-9395	1	*obs* Cap-Sealing
60	98-7540	2	Plug
70	107-9066	4	Guide-Valve, Inlet
80	107-9067	4	Guide-Valve, Exhaust
90	98-9389	3	Cap-Sealing
110	98-9479	16	Bolt-Head, Cylinder
120	98-9647	2	Bolt-Head, Cylinder
130	108-2855	1	Gasket-Head, Cylinder



Gear Case Assembly

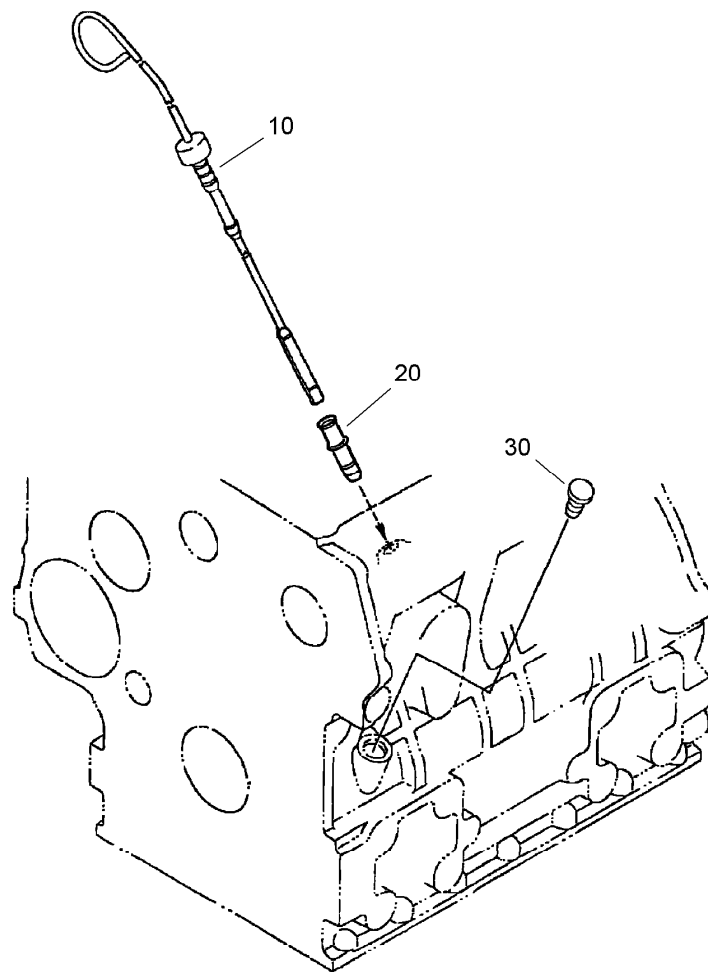
<i>Ref.</i>	<i>Part Number</i>	<i>Qty.</i>	<i>Description</i>
10	107-9068	1	Gear Case ASM
20	98-9598	2	Plug
25	98-7487	1	Plug
30	98-7562	1	Washer-Plain
40	98-9388	1	Joint-Pipe
50	98-9544	1	Spring
60	98-9543	1	Seat-Valve
70	98-9380	1	Ball
80	98-9540	1	Oil Pump Rotor ASM
85	107-9069	1	Cover-Pump, Oil
90	107-9071	5	Screw
100	107-9072	2	Pin-Straight
110	98-9633	1	Gasket-Case, Gear

<i>Ref.</i>	<i>Part Number</i>	<i>Qty.</i>	<i>Description</i>
120	107-9073	3	Bolt
130	105-3797	4	Bolt
140	98-9356	4	Bolt
150	107-9074	1	Bolt
160	98-9586	1	Bolt
170	105-3709	1	Stud
180	98-7572	1	Nut
190	98-7699	1	Washer-Spring
200	98-9482	1	Seal-Oil
210	105-3710	2	Stud
220	98-9641	1	Cover-Case, Gear
230	108-3841	1	Filter-Oil



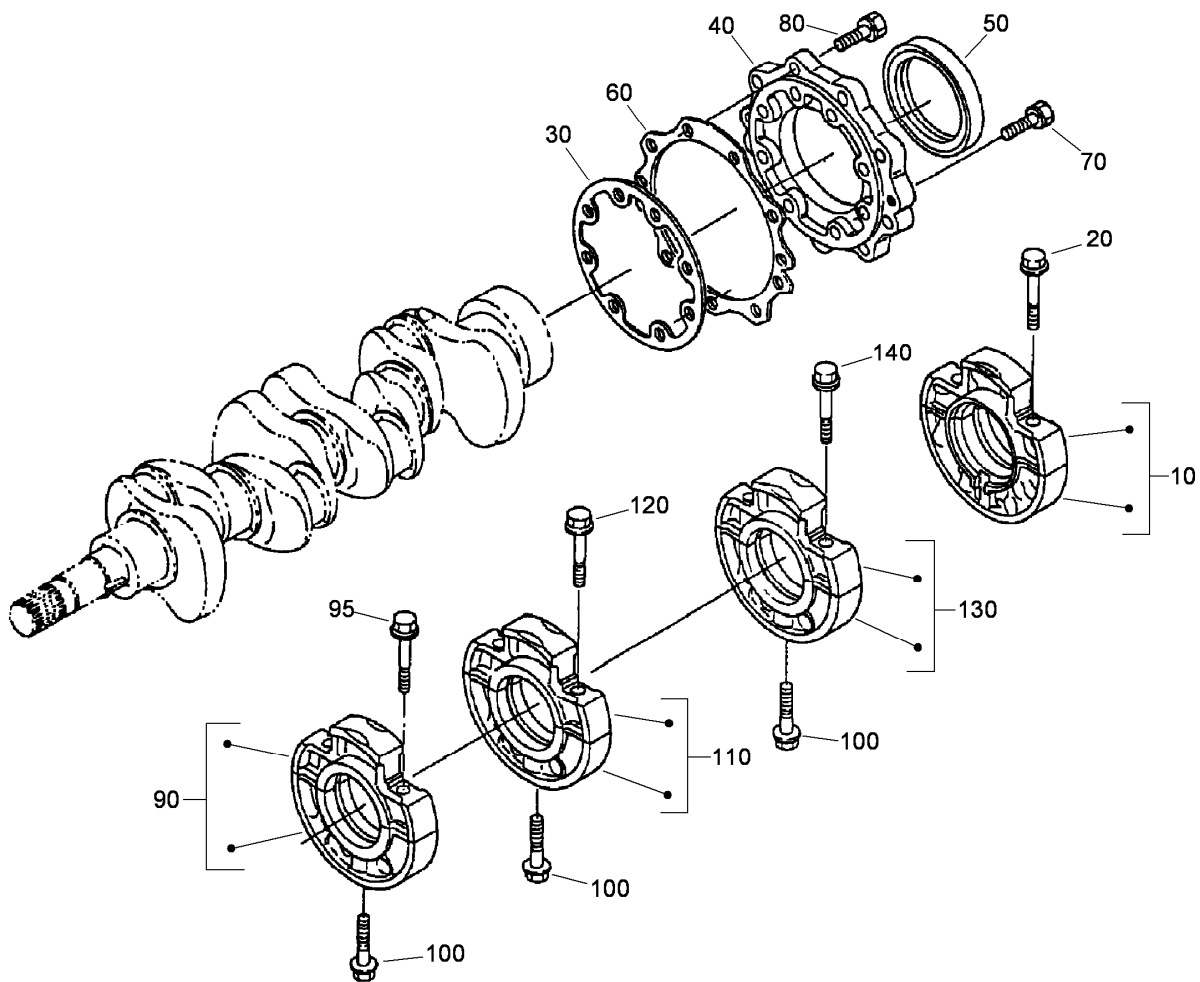
Cylinder Head Cover Assembly

<i>Ref.</i>	<i>Part Number</i>	<i>Qty.</i>	<i>Description</i>
10	108-2856	1	Cylinder Head Cover ASM
20	105-3712	1	Gasket-Cover, Head
30	108-2857	1	Shield-Breather
40	98-9455	4	Nut-Cap
50	98-9454	4	Gasket
60	107-9075	1	Plug-Filler, Oil
70	99-3446	1	O-Ring
80	108-2858	1	Tube-Breather
90	108-2859	1	Clamp-Hose
100	108-2860	1	Clamp-Hose
110	110-3715	1	Valve-Breather
120	110-3714	1	Cover-Breather
130	98-9364	4	Screw (With Washer)
140	98-7766	1	Pipe-Return, Water



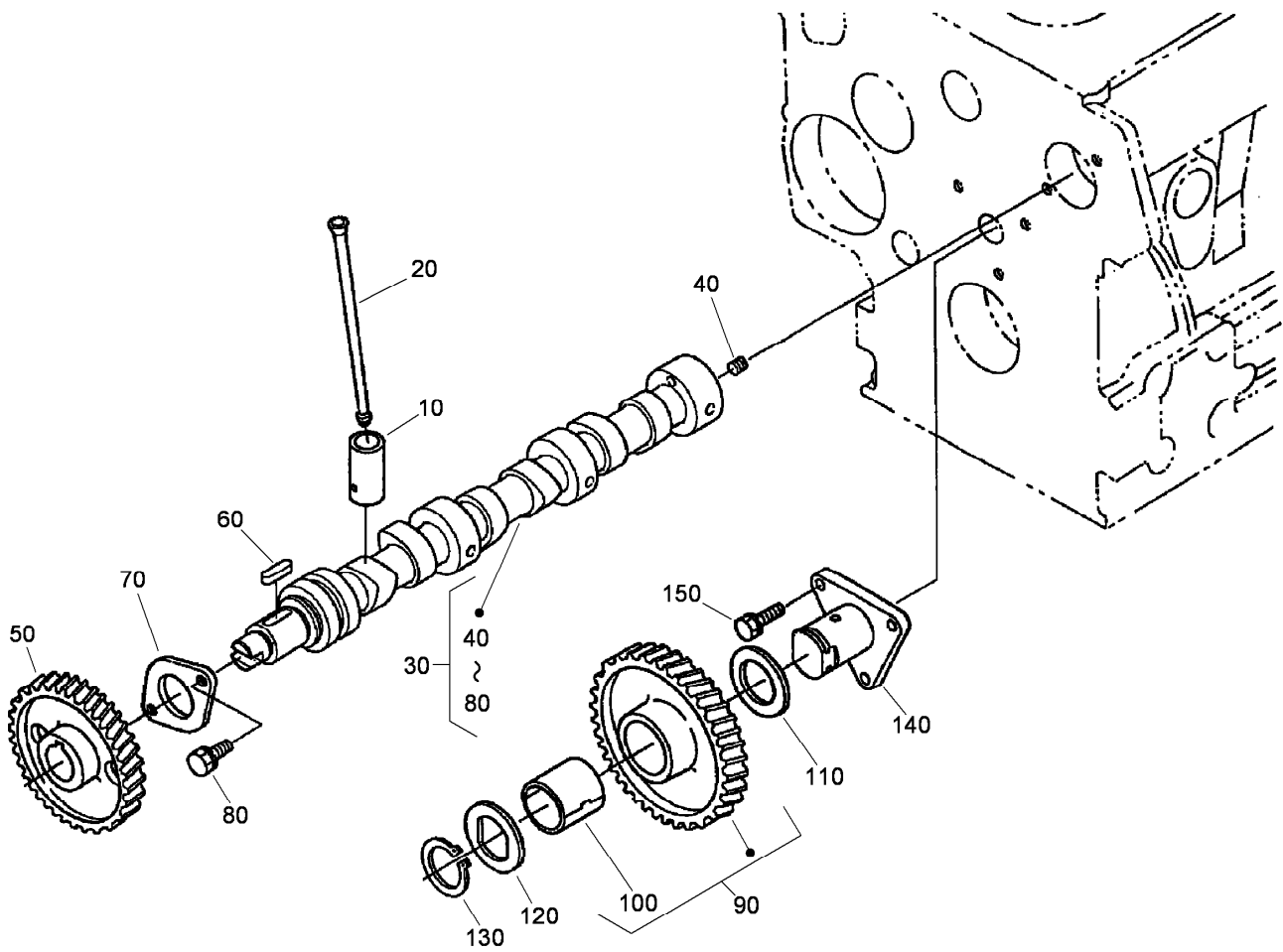
Oil Gauge Assembly

<i>Ref.</i>	<i>Part Number</i>	<i>Qty.</i>	<i>Description</i>
10	105-3714	1	Gauge-Oil
20	105-3713	1	Guide-Gauge, Oil
30	110-3720	1	Plug-Gauge, Oil



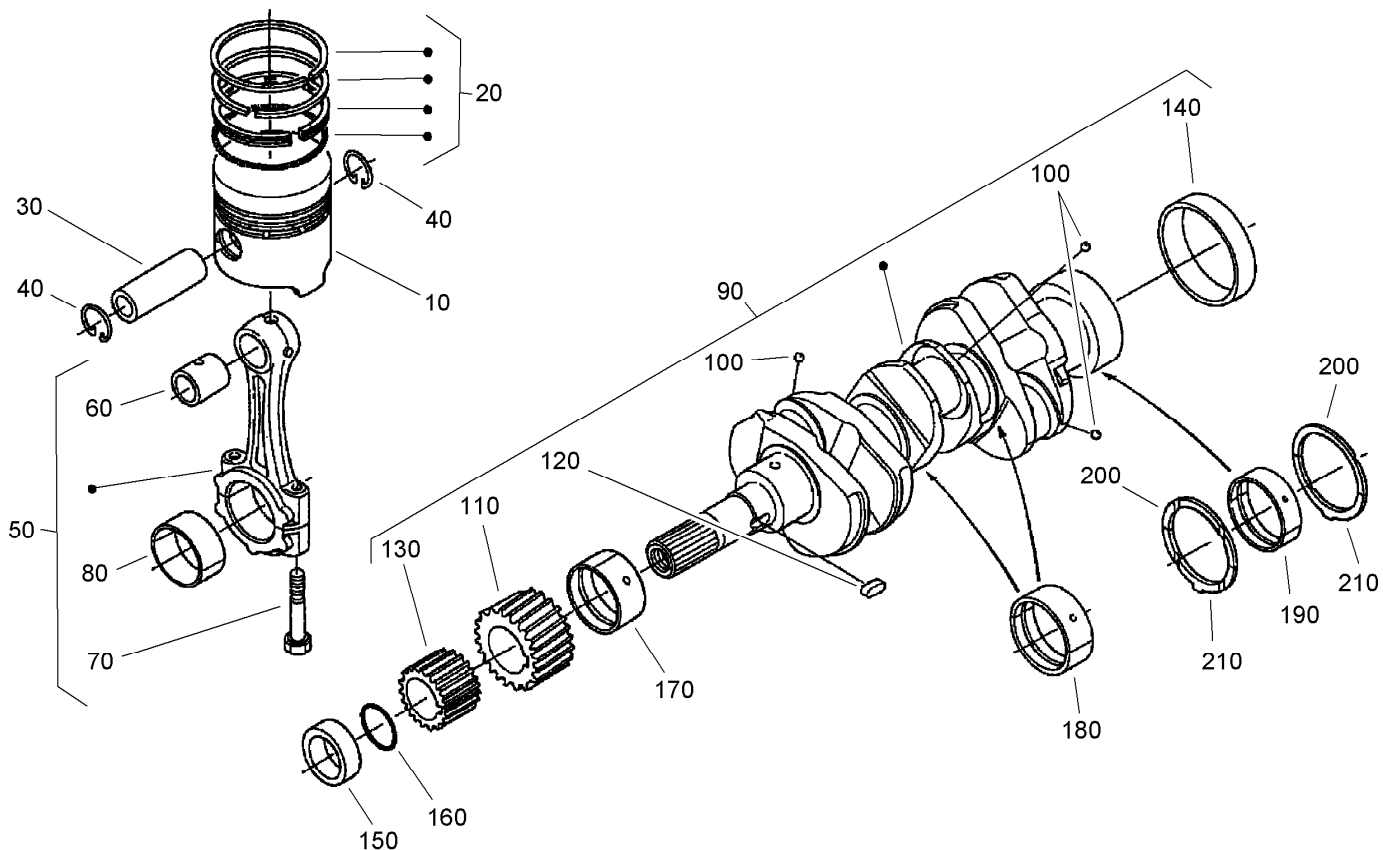
Main Bearing Case Assembly

<i>Ref.</i>	<i>Part Number</i>	<i>Qty.</i>	<i>Description</i>
10	98-9480	1	Main Bearing Case ASM
20	98-9484	2	Bolt-Case, Bearing
30	98-9634	1	Gasket-Case, Bearing
40	98-9487	1	Cover-Case, Bearing
50	112-0180	1	Seal-Oil
60	98-9635	1	Gasket-Cover, Bearing Case
70	98-9352	8	Bolt
80	98-7568	9	Bolt
90	98-9606	1	Main Bearing Case ASM
95	98-9484	2	Bolt-Case, Bearing
100	98-9485	3	Bolt-Case, Bearing
110	98-9607	1	Main Bearing Case ASM
120	98-9484	2	Bolt-Case, Bearing
130	108-2864	1	Main Bearing Case ASM
140	98-9484	2	Bolt-Case, Bearing



Cam Shaft and Idle Gear Assembly

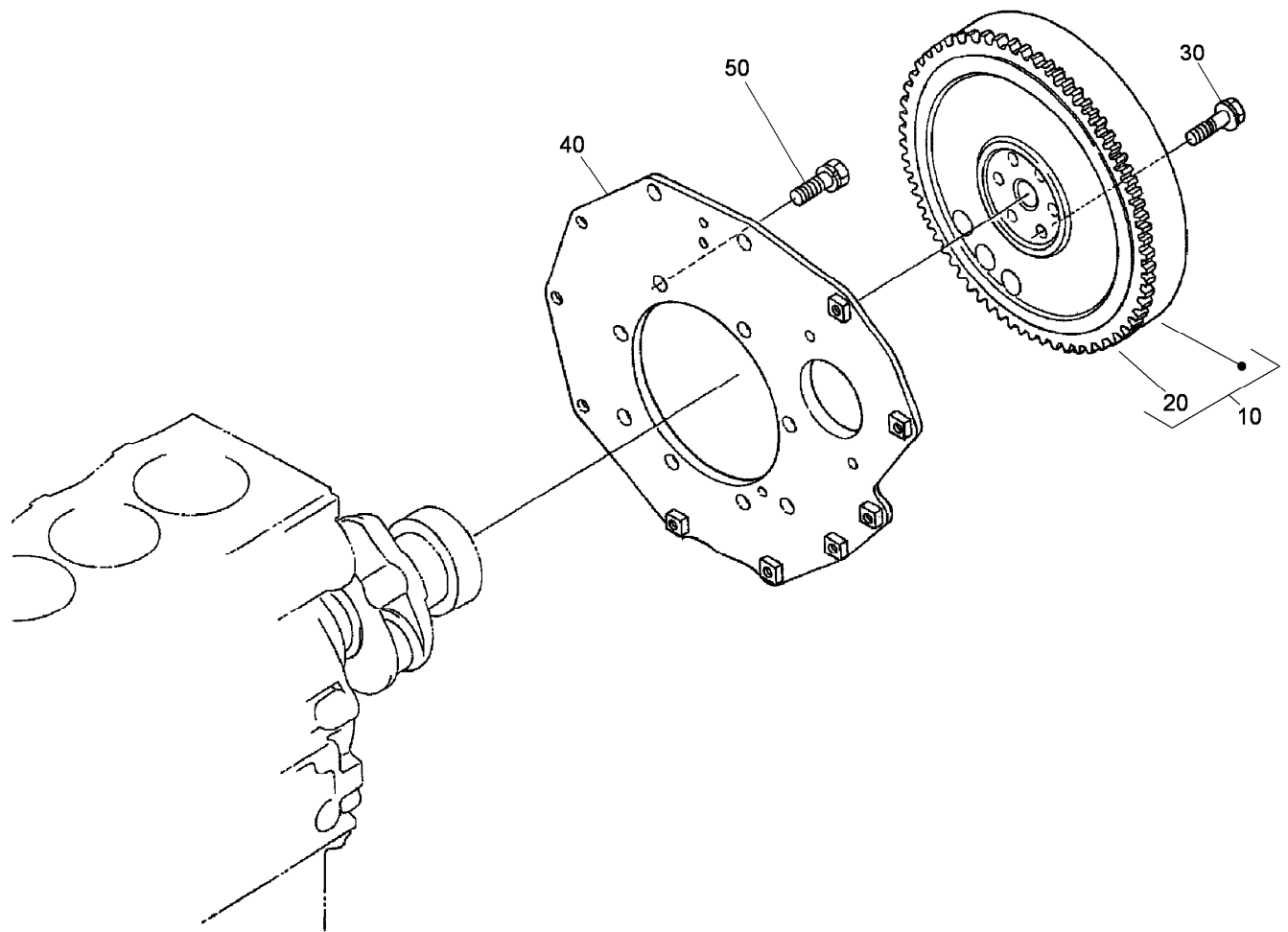
<i>Ref.</i>	<i>Part Number</i>	<i>Qty.</i>	<i>Description</i>
10	112-0185	8	Tappet
20	98-9509	8	Rod-Push
30	108-2865	1	Camshaft ASM
40	98-7449	1	Screw-Set
50	98-9512	1	Gear-Cam
60	98-9378	1	Key-Feather
70	98-9510	1	Stopper-Camshaft
80	98-7692	2	Bolt
90	98-9649	1	Idle Gear ASM
100	98-9650	1	Bushing-Gear, Idle
110	98-9535	1	Collar-Gear, Idle
120	98-9536	1	Collar-Gear, Idle
130	98-9534	1	Circlip-Gear, Idle
140	98-9533	1	Shaft-Gear, Idle
150	98-7692	3	Bolt



Connecting Rod and Piston Assembly

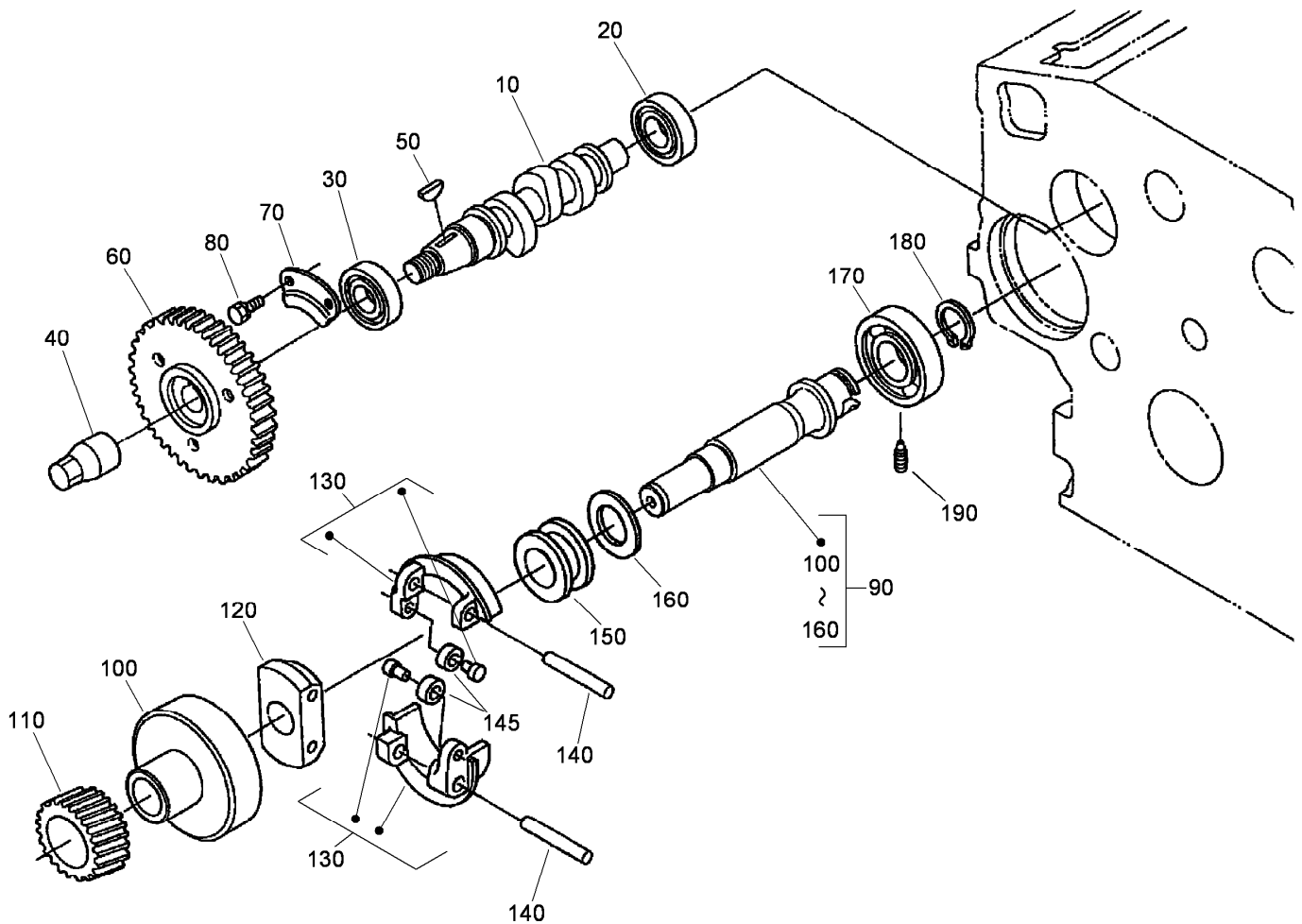
Ref.	Part Number	Qty.	Description
10	98-9470	4	Piston (0.5MM)
10	98-9469	4	*obs* Piston (STD)
20	98-9551	4	Piston Ring ASM (STD)
20	108-1404	4	Piston Ring ASM (+0.5MM)
30	98-9513	4	Pin-Piston
40	98-9514	8	Circlip-Pin, Piston
50	98-9516	4	Connecting Rod ASM
60	98-9515	4	Bushing-Pin, Piston
70	98-9517	8	Bolt-Rod, Connecting
80	98-9520	4	Bearing-Rod (0.4MM)
80	98-9519	4	Bearing-Rod (-0.2MM)
80	98-9518	4	Metal-Crankpin (STD)
90	105-3718	1	Crankshaft ASM
100	110-3729	4	Ball
110	98-9532	1	Gear-Crankshaft
120	98-9666	1	Key
130	98-9542	1	Gear-Drive, Oil Pump
140	98-9522	1	Sleeve-Crankshaft

Ref.	Part Number	Qty.	Description
150	98-9521	1	Collar-Crankshaft
160	105-3783	1	O-Ring
170	98-9523	1	Metal Crankshaft (STD)
170	98-9528	1	Bearing-Main (-0.2MM)
170	98-9529	1	Bearing-Main (0.4MM)
180	98-9524	3	Metal-Crankshaft (STD Set)
180	98-9530	3	Bearing-Main (0.2MM)
180	98-9531	3	Bearing-Main (0.4MM)
190	112-7006	1	Bearing-Main (STD)
190	112-7007	1	Metal-Crankshaft (.2MM)
190	112-7008	1	Metal-Crankshaft (.4MM)
200	98-9413	2	Bearing-Thrust (STD)
200	98-9414	2	Bearing-Thrust (0.2MM)
200	98-9415	2	Bearing-Thrust (0.4MM)
210	98-9688	2	Bearing-Thrust (STD)
210	98-9689	2	Bearing-Thrust (0.2MM)
210	98-9690	2	Bearing-Thrust (0.4MM)



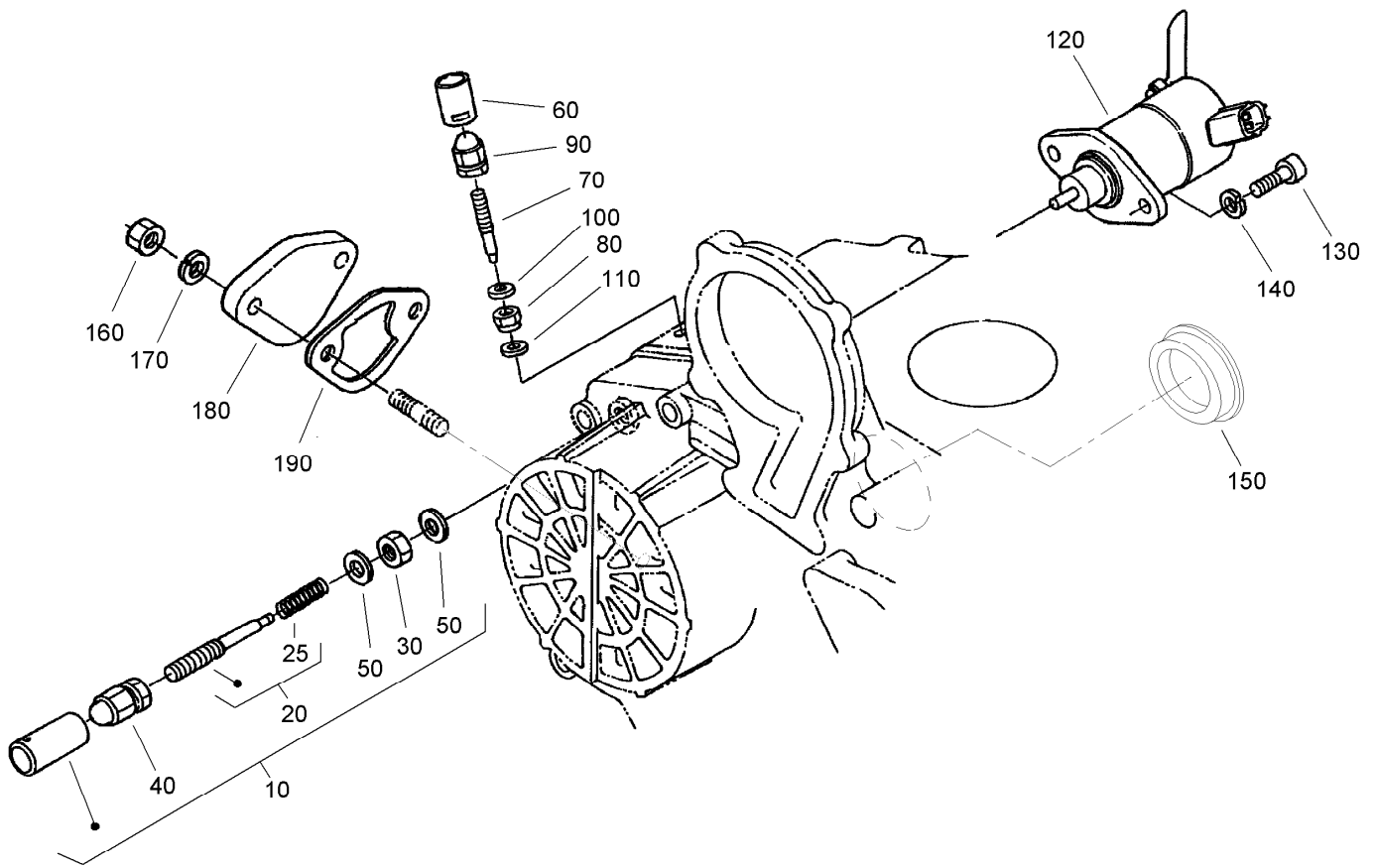
Flywheel Assembly

<i>Ref.</i>	<i>Part Number</i>	<i>Qty.</i>	<i>Description</i>
10	105-3721	1	Flywheel ASM
20	105-3722	1	Gear-Ring
30	98-9537	6	Bolt-Flywheel
40	98-9486	1	Plate-End, Rear
50	98-9392	8	Bolt



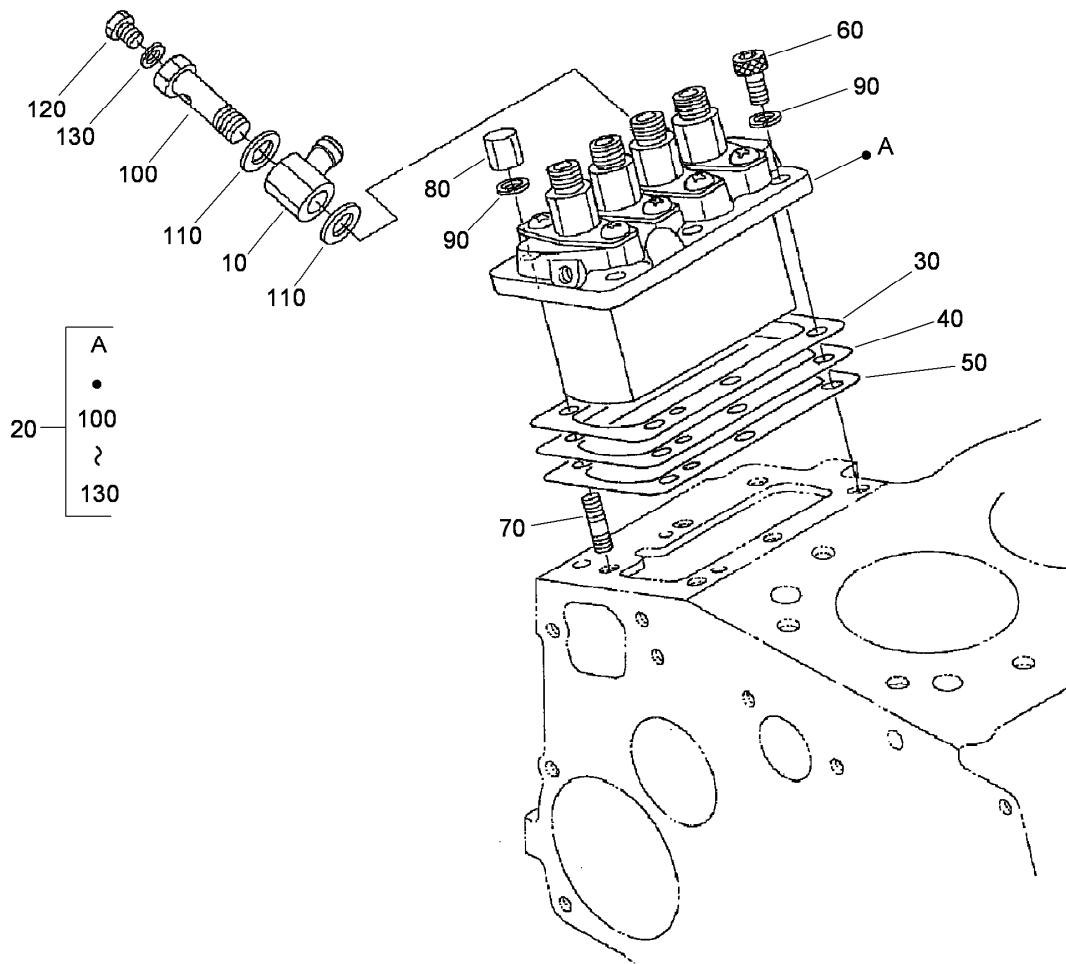
Fuel Camshaft and Governor Shaft Assembly

<i>Ref.</i>	<i>Part Number</i>	<i>Qty.</i>	<i>Description</i>
10	105-3723	1	Camshaft-Fuel
20	107-9077	1	Bearing-Ball
30	107-9078	1	Bearing-Ball
40	98-9590	1	Nut-Cap
50	98-9595	1	Key-Woodruff
60	98-9669	1	Gear-Pump, Injection
70	98-9511	1	Stopper-Fuel, Camshaft
80	98-7692	2	Bolt
90	105-3724	1	Governor Shaft ASM
100	98-9562	1	Holder-Gear, Governor
110	98-9673	1	Gear-Governor
120	98-9561	1	Holder-Weight, Governor
130	98-9559	2	Governor Weight ASM
140	98-9560	2	Shaft-Weight, Governor
145	98-9692	2	Roller
150	98-9563	1	Sleeve-Governor
160	98-9564	1	Washer-Thrust
170	107-9079	1	Bearing-Ball
180	98-9657	1	Circlip-Shaft, Governor
190	98-9565	1	Screw-Set



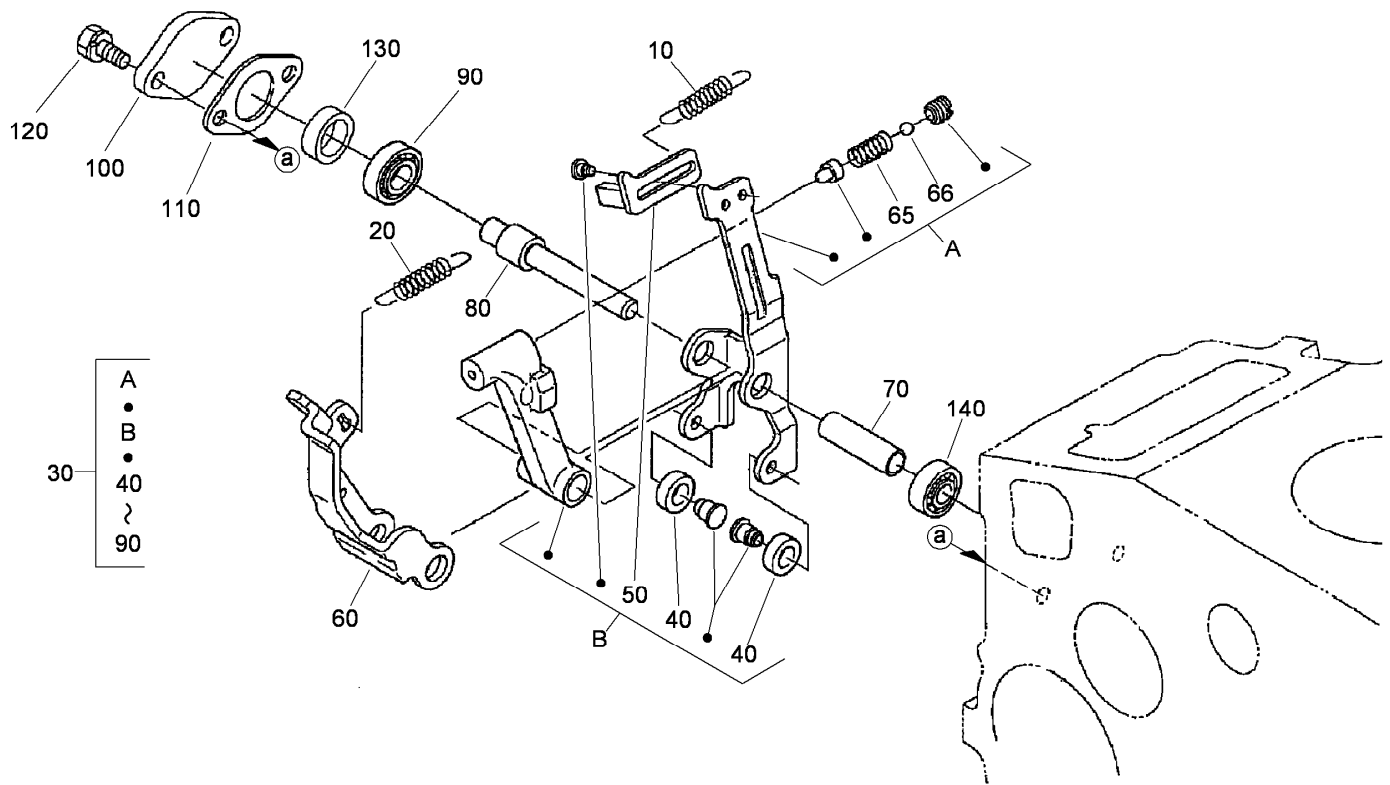
Idle Apparatus and Solenoid Assembly

Ref.	Part Number	Qty.	Description
10	98-9678	1	Idle Apparatus ASM
20	112-7014	1	Adjusting Bolt ASM
25	107-9080	1	Spring
30	98-9439	1	Nut
40	112-0181	1	Nut
50	98-7654	2	Gasket
60	98-7656	1	Cap
70	112-7015	1	Bolt-Adjusting
80	99-3512	1	Nut
90	112-0181	1	Nut
100	98-7654	1	Gasket
110	107-9081	1	Gasket
120	104-5155	1	Solenoid-Stop
130	105-3799	2	Bolt-HSH
140	98-7699	2	Washer-Spring
150	112-7016	1	Cover-Pump
160	98-7572	2	Nut
170	98-7699	2	Washer-Spring
180	99-3514	1	Cover
190	98-9636	1	Gasket-Pump, Fuel



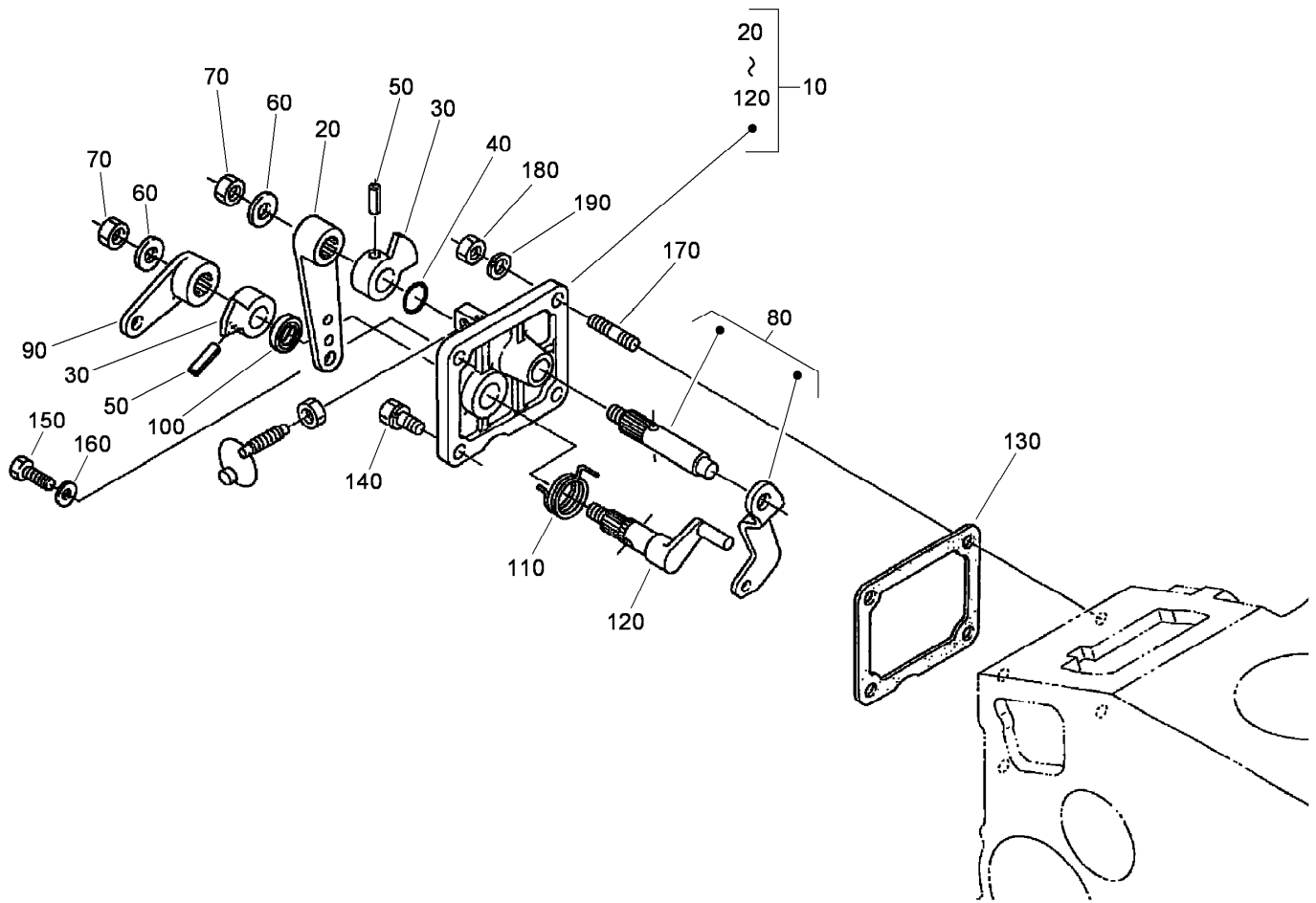
Injection Pump Assembly

<i>Ref.</i>	<i>Part Number</i>	<i>Qty.</i>	<i>Description</i>
10	98-9596	1	Joint-Eye
20	105-3727	1	Injection Pump ASM
30	105-3728	1	Shim-Pump, Injection (.20MM)
40	105-3729	1	Shim-Pump, Injection (.25MM)
50	105-3730	1	Shim-Pump, Injection (.30MM)
60	98-9361	3	Bolt-HSH
70	98-9438	3	Stud
80	98-9440	3	Nut-Cap
90	98-7699	6	Washer-Spring
100	98-9464	1	Bolt-Joint
110	98-9445	2	Gasket
120	98-9430	1	Screw
130	98-9446	1	Gasket



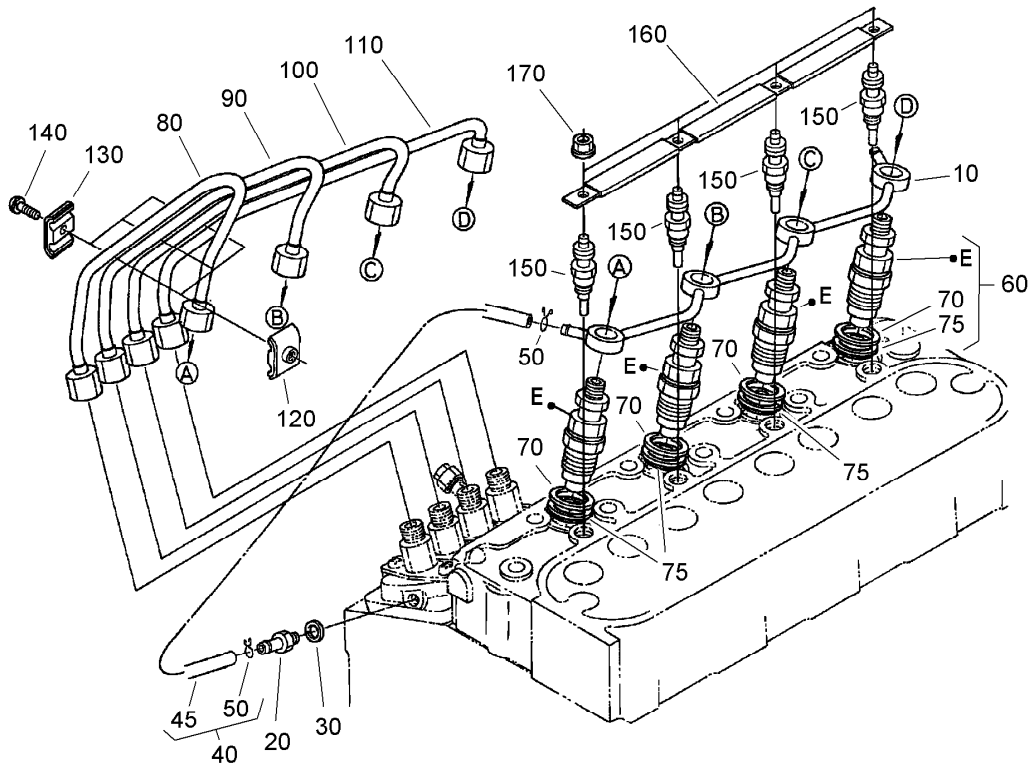
Governor Assembly

<i>Ref.</i>	<i>Part Number</i>	<i>Qty.</i>	<i>Description</i>
10	105-3741	1	Spring-Start
20	98-9681	1	Spring-Governor
30	107-9082	1	Fork Lever ASM
40	98-9692	2	Roller
50	107-9083	1	Lever-Thrust
60	107-9084	1	Lever-Fork
65	108-2867	1	Spring
66	98-7580	2	Ball
70	107-9085	1	Shaft-Lever, Fork
80	107-9086	1	Shaft-Lever, Fork
90	98-9570	1	Bearing-Miniaturize
100	98-9569	1	Cover-Shaft, Fork Lever
110	98-9682	1	Gasket
120	98-9351	2	Bolt
130	98-9567	1	Collar
140	98-9571	1	Bearing-Miniaturize



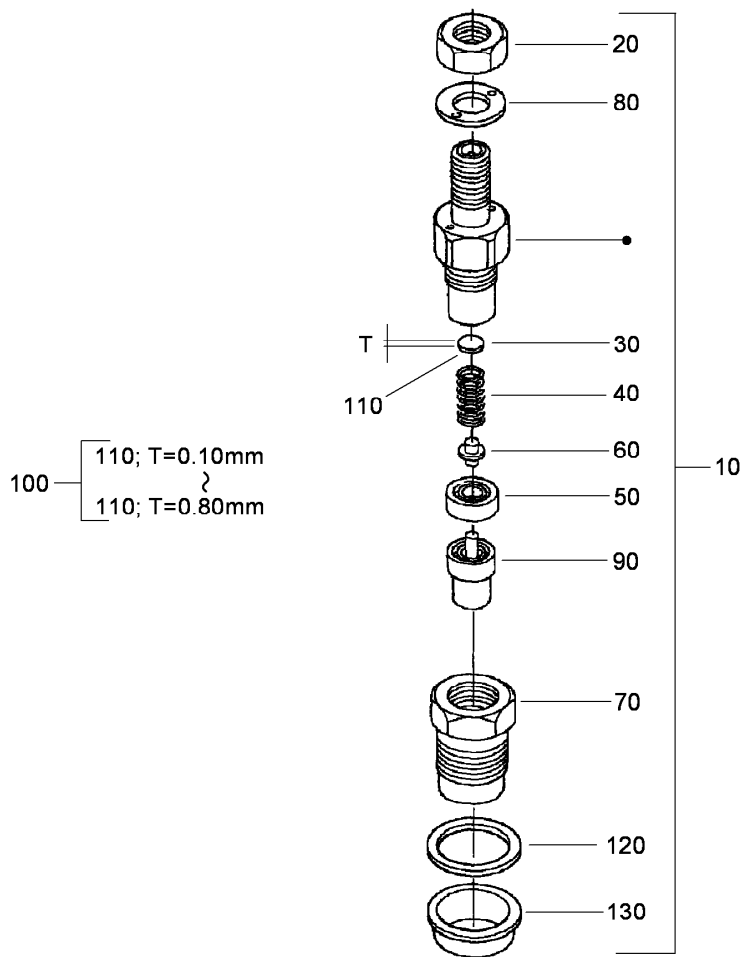
Speed Control Plate Assembly

<i>Ref.</i>	<i>Part Number</i>	<i>Qty.</i>	<i>Description</i>
10	105-3735	1	Control Plate ASM
20	98-9662	1	Lever-Control, Speed
30	98-9572	2	Lever-Control, Speed
40	105-3788	1	O-Ring
50	98-7602	2	Pin-Spring
60	98-9594	2	Washer-Plain
70	98-9589	2	Nut
80	98-9658	1	Governor Lever ASM
90	98-9663	1	Lever-Stop, Engine
100	98-7601	1	Seal-Oil
110	98-9472	1	Spring-Return
120	98-9664	1	Shaft-Lever, Stop
130	98-9637	1	Gasket
140	98-7692	1	Bolt
150	99-8348	1	Bolt
160	98-7654	2	Gasket
170	105-3710	2	Stud
180	98-7572	2	Nut
190	98-7699	2	Washer-Spring



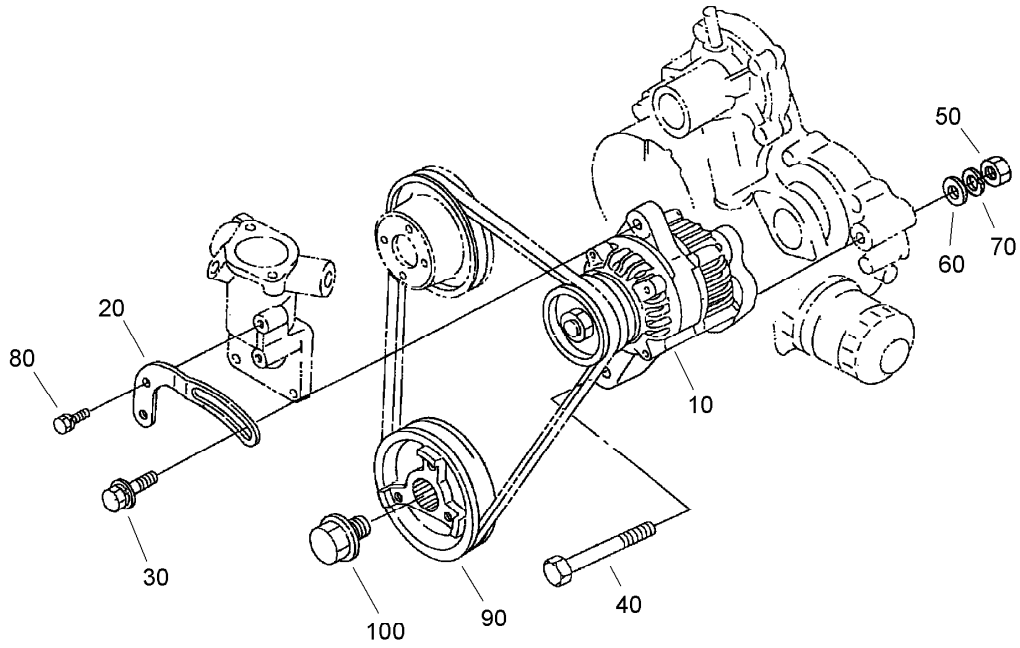
Injector Assembly

<i>Ref.</i>	<i>Part Number</i>	<i>Qty.</i>	<i>Description</i>
10	105-3737	1	Over Flow Pipe ASM
20	98-9431	1	Screw-Bleeder, Air
30	98-7654	1	Gasket
40	98-9420	1	Overflow Pipe ASM
45	112-0182	1	Pipe-Overflow
50	98-7671	2	Clip-Pipe
60	108-2866	4	Nozzle Holder Kit
70	98-7676	4	Gasket
75	98-7677	4	Seal-Heat
80	98-9653	1	Pipe-Injection
90	98-9654	1	Pipe-Injection
100	98-9655	1	Pipe-Injection
110	105-3738	1	Pipe-Injection
120	98-7682	3	Clamp-Pipe
130	98-7683	3	Clamp-Pipe
140	98-7684	3	Screw (W/Washer)
150	98-9695	4	Plug-Glow
160	105-3739	1	Cord-Plug, Glow
170	99-8377	4	Nut-Flange



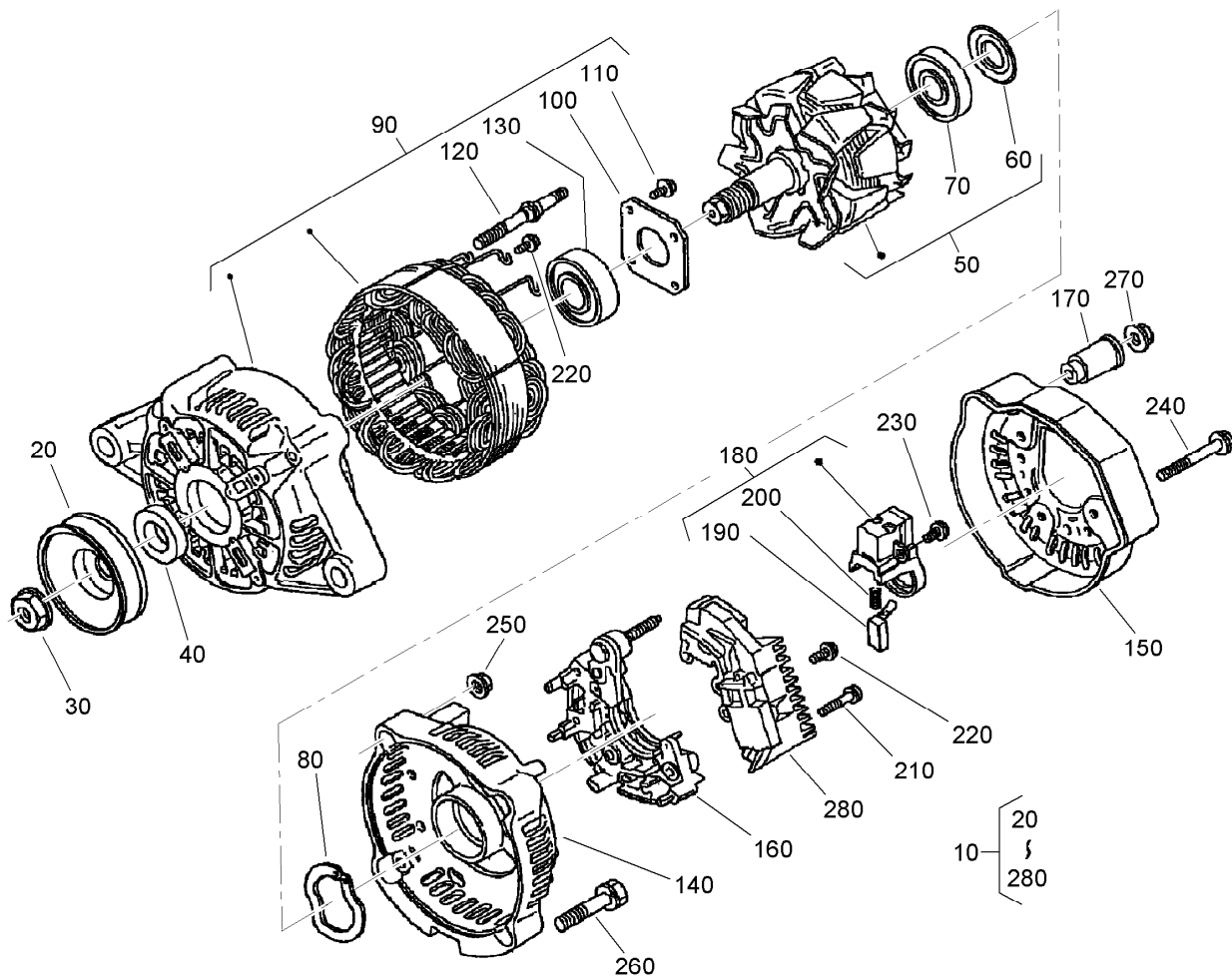
Nozzle Holder Component Assembly

Ref.	Part Number	Qty.	Description
10	108-2866	4	Nozzle Holder Kit
20	99-8301	4	Nut
30	99-8302	4	Washer-Adjusting
40	99-8303	4	Spring-Nozzle
50	99-8304	4	Spacer-Distance
60	99-8305	4	Rod-Push
70	99-8306	4	Nut-Nozzle
80	99-8307	4	Washer-Plain
90	107-7826	4	Piece-Nozzle
100	99-8309	4	Adjusting Washer ASM
110	99-8310	4	Washer-Adjust (0.10MM)
110	99-8311	4	Washer-Adjust (0.20MM)
110	99-8312	4	Washer-Adjust (0.30MM)
110	99-8313	4	Washer-Adjust (0.40MM)
110	99-8314	4	Washer-Adjust (0.50MM)
110	99-8315	4	Washer-Adjust (0.52MM)
110	99-8316	4	Washer-Adjust (0.54MM)
110	99-8317	4	Washer-Adjust (0.56MM)
110	99-8318	4	Washer-Adjust (0.58MM)
110	99-8319	4	Washer-Adjust (0.80MM)
120	98-7676	4	Gasket
130	98-7677	4	Seal-Heat



Alternator Assembly

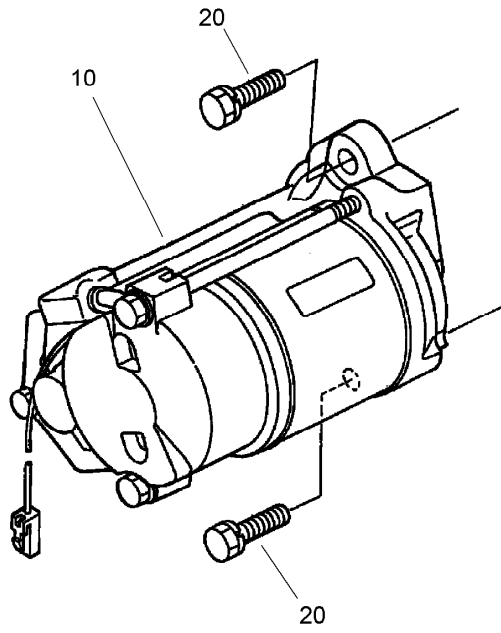
<i>Ref.</i>	<i>Part Number</i>	<i>Qty.</i>	<i>Description</i>
10	98-9474	1	Alternator ASM
20	98-9573	1	Stay-Dynamo
30	108-7088	1	Bolt
40	98-9360	1	Bolt
50	98-7737	1	Nut
60	98-7696	1	Washer-Plain
70	98-7738	1	Washer-Spring
80	98-7692	1	Bolt
90	105-3745	1	Pulley-Drive, Fan
100	98-9585	1	Bolt



Alternator Assembly No. 98-9474

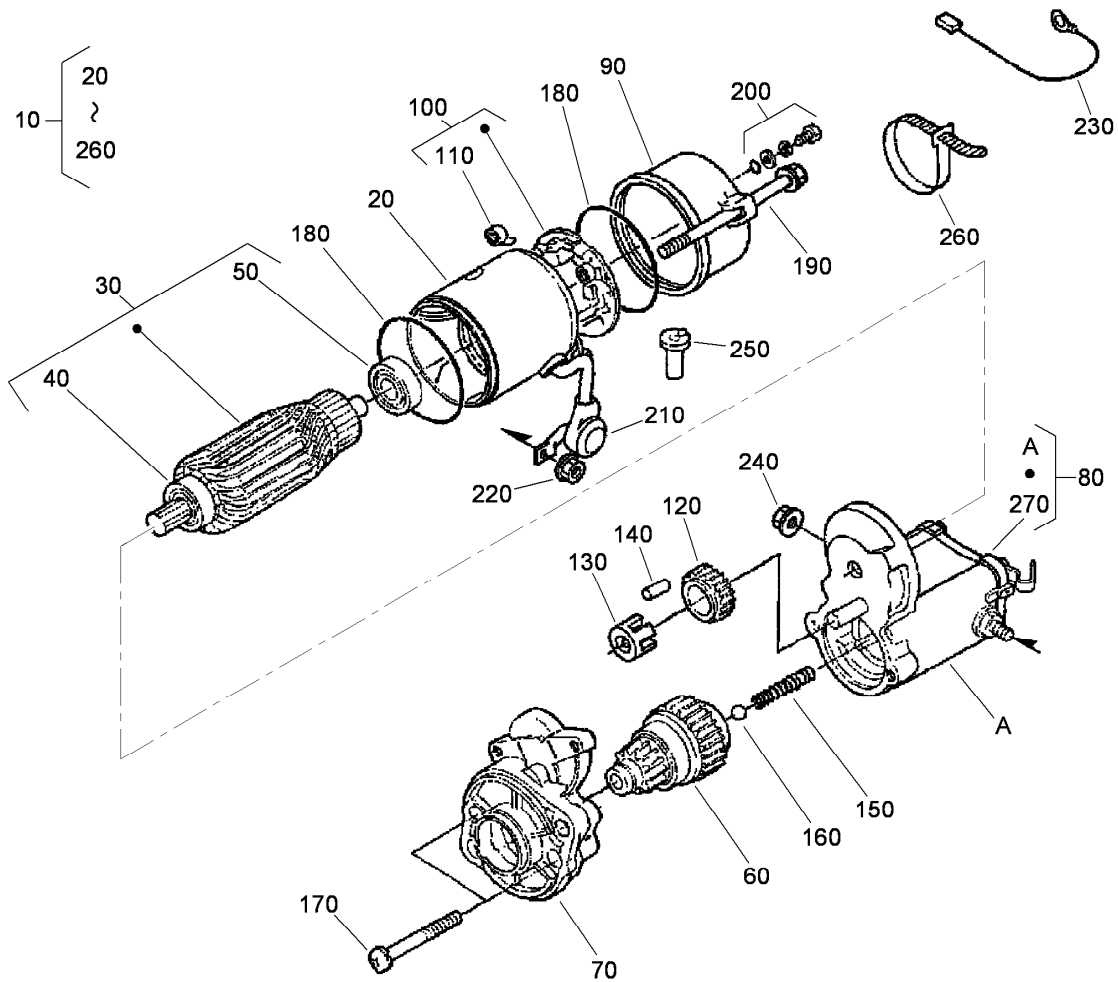
<i>Ref.</i>	<i>Part Number</i>	<i>Qty.</i>	<i>Description</i>
10	98-9474	1	Alternator ASM
20	98-9453	1	Pulley-Dynamo
30	98-7708	1	Nut
40	98-7709	1	Collar
50	107-0136	1	Rotor ASM
60	98-7711	1	Cover-Bearing
70	107-0138	1	Bearing-Ball
80	98-7713	1	Washer-Thrust
90	107-0139	1	Drive End Frame ASM
100	98-7715	1	Plate-Retainer
110	98-7716	4	Screw-Head, Round
120	98-7717	2	Bolt-Through
130	107-0137	1	Bearing-Ball
140	107-9087	1	Frame-End

<i>Ref.</i>	<i>Part Number</i>	<i>Qty.</i>	<i>Description</i>
150	107-0140	1	Cover-End
160	98-9476	1	Rectifier ASM
170	98-7722	1	Bushing-Insulation
180	107-0141	1	Brush Holder ASM
190	98-7724	2	Brush
200	98-7725	2	Spring-Brush
210	98-7726	2	Screw-Head, Round
220	98-7727	6	Screw-Head, Round
230	98-7728	1	Screw-Head, Round
240	98-7729	3	Bolt
250	98-7730	2	Nut
260	98-7731	2	Bolt
270	98-7732	1	Nut
280	110-3799	1	Regulator ASM



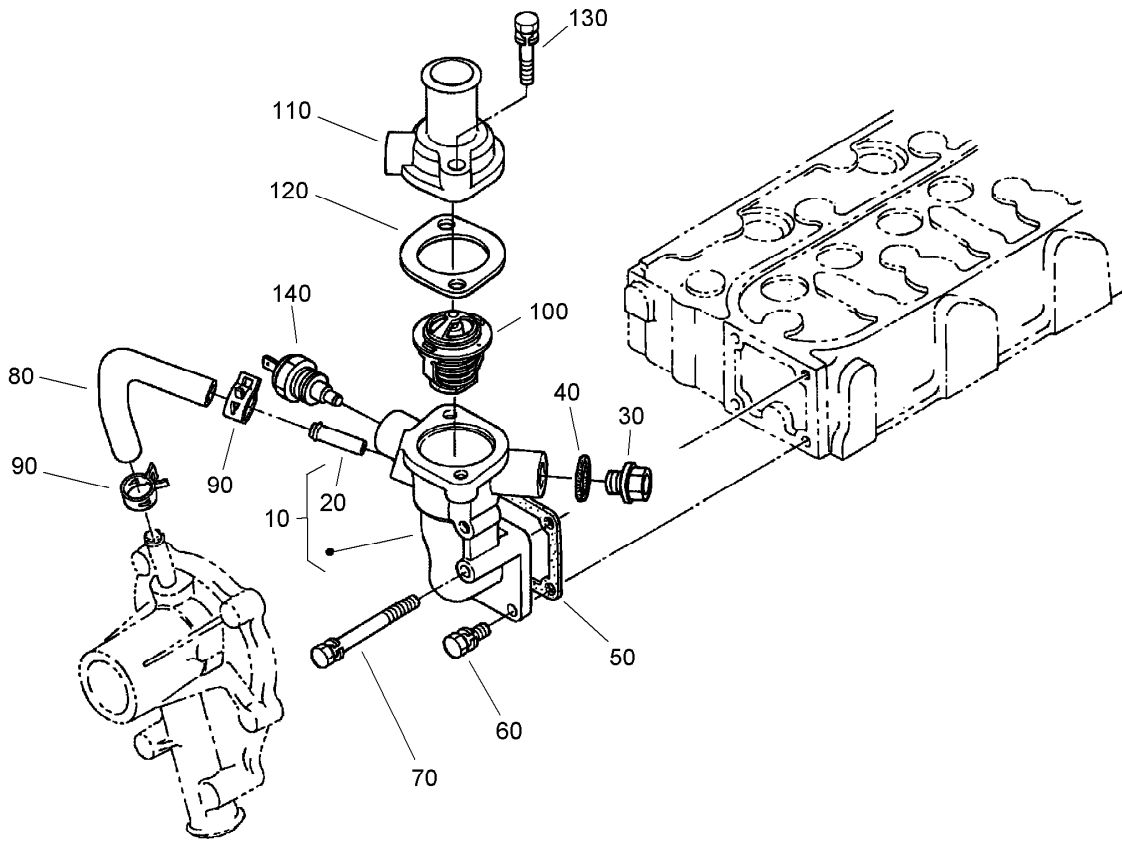
Stater Assembly

<i>Ref.</i>	<i>Part Number</i>	<i>Qty.</i>	<i>Description</i>
10	98-9705	1	Starter ASM
20	98-7697	2	Bolt



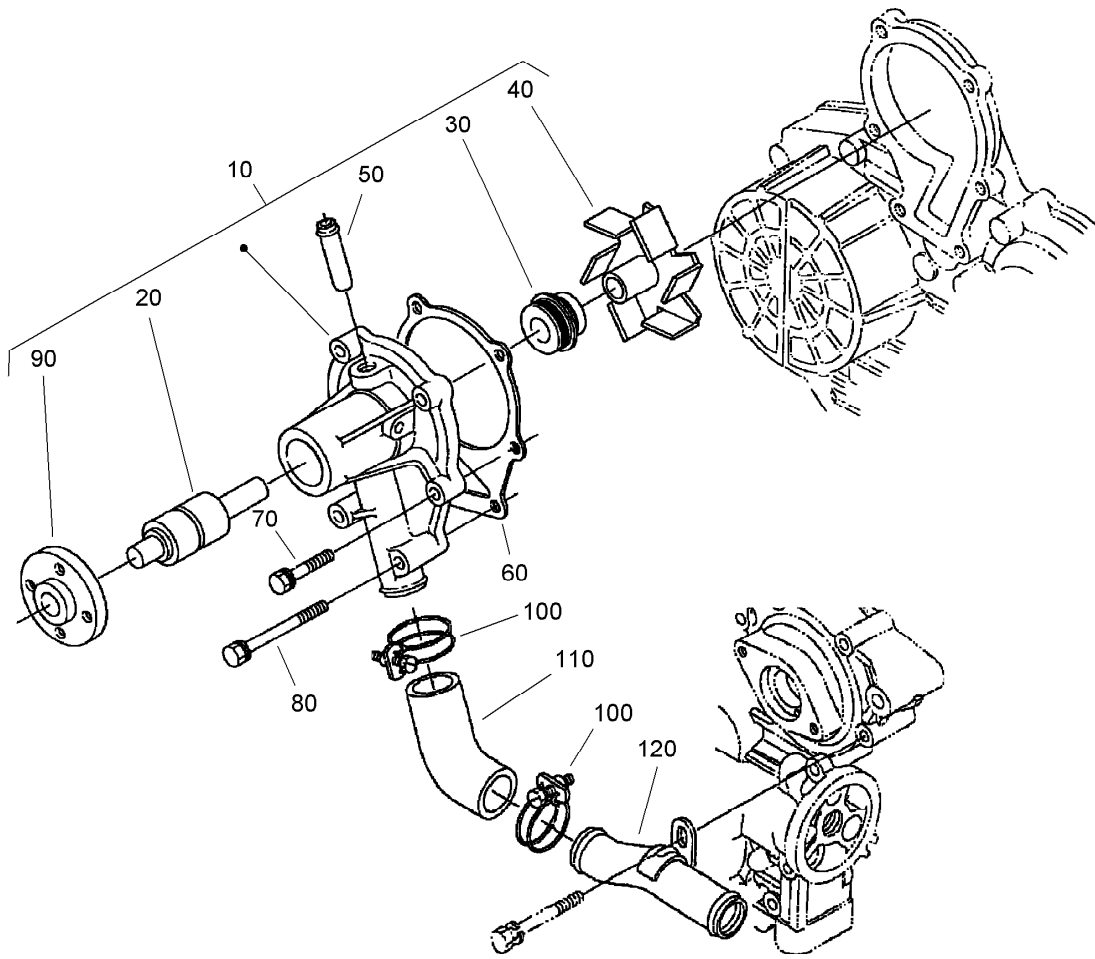
Starter Assembly No. 98-9705

<i>Ref.</i>	<i>Part Number</i>	<i>Qty.</i>	<i>Description</i>	<i>Ref.</i>	<i>Part Number</i>	<i>Qty.</i>	<i>Description</i>
10	98-9705	1	Starter ASM	150	98-7754	1	Spring
20	104-8608	1	Yoke ASM	160	98-7755	1	Ball
30	98-7742	1	Armature ASM	170	98-7756	2	Bolt
40	98-7744	1	Bearing	180	98-7757	2	O-Ring
50	98-7743	1	Bearing	190	100-9240	2	Bolt
60	99-8373	1	Clutch-Running, Over	200	98-7758	2	Bolt ASM
70	99-8374	1	Frame-End, Drive	210	99-8375	1	Cover
80	105-3746	1	Magnetic Switch ASM	220	99-8371	1	Nut-Hex
90	98-7748	1	Frame-End	230	98-9711	1	Cord-Solenoid, Stop
100	98-7749	1	Brush Holder ASM	240	99-8376	1	Nut-Hex
110	98-7750	4	Spring-Brush	250	98-7759	1	Pipe-Drain
120	98-7751	1	Gear	260	98-9712	1	Band-Cover
130	98-7752	1	Retainer	270	105-2886	1	Cover ASM
140	98-7753	5	Roller				



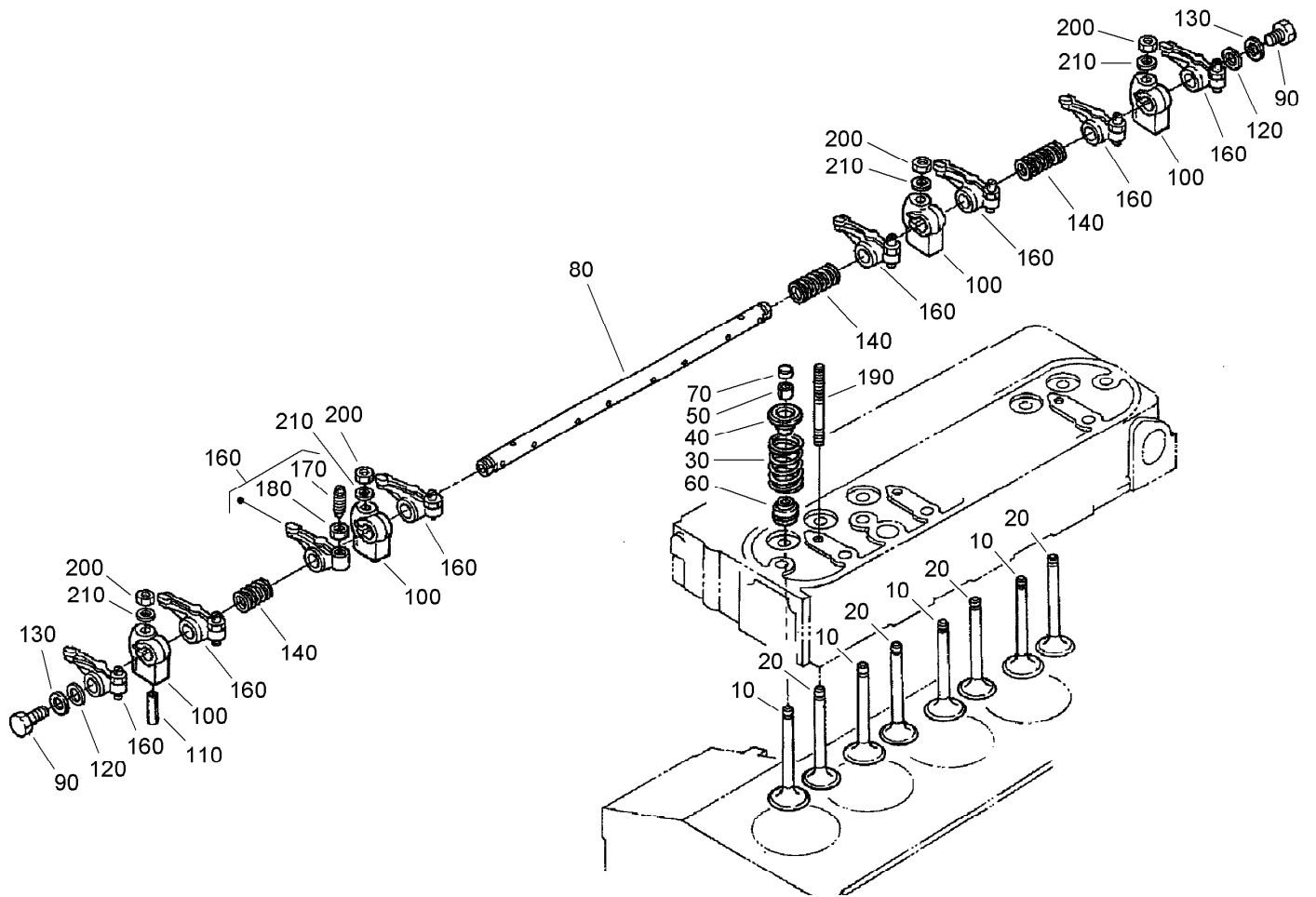
Thermostat Assembly

<i>Ref.</i>	<i>Part Number</i>	<i>Qty.</i>	<i>Description</i>
10	98-9713	1	Water Flange ASM
20	98-9580	1	Pipe-Return, Water
30	105-3747	1	Plug
40	99-3583	1	Gasket
50	98-9638	1	Gasket-Flange, Water
60	98-7692	3	Bolt
70	98-9356	1	Bolt
80	98-9578	1	Pipe-Return, Water
90	98-9579	2	Band-Pipe
100	98-7778	1	Thermostat ASM
110	98-9471	1	Cover-Thermostat
120	105-3748	1	Gasket-Thermostat
130	98-7777	2	Bolt
140	112-0183	1	Switch-Thermometer



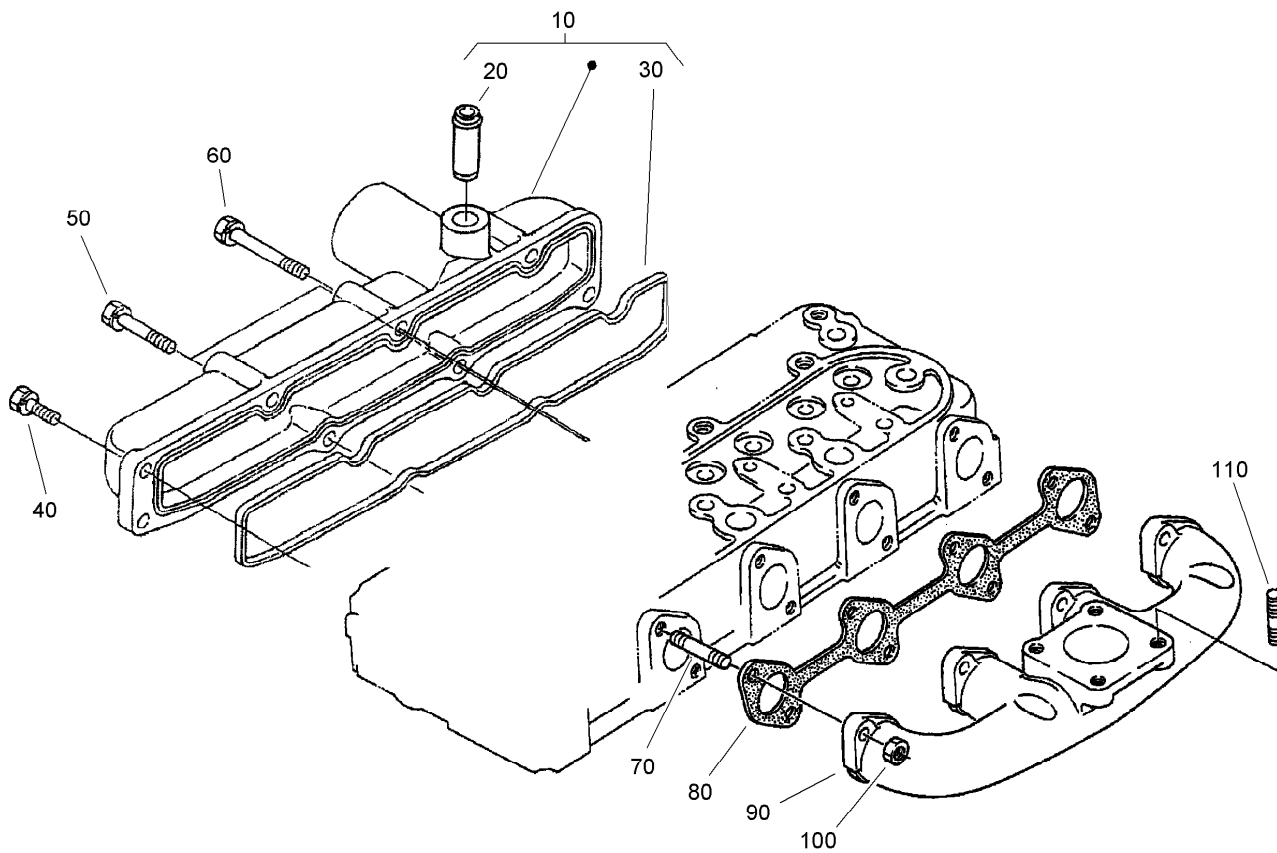
Water Pump Assembly

<i>Ref.</i>	<i>Part Number</i>	<i>Qty.</i>	<i>Description</i>
10	107-9089	1	Water Pump ASM
20	99-3517	1	Bearing-Pump, Water
30	105-3750	1	Mechanical Seal ASM
40	112-7017	1	Impeller-Pump, Water
50	98-9577	1	Pipe-Return, Water
60	99-3454	1	Gasket-Pump, Water
70	98-9353	4	Bolt
80	107-9090	2	Bolt
90	99-3516	1	Flange-Pump, Water
100	98-9717	2	Clamp
110	107-9091	1	Pipe-Water
120	98-9716	1	Pipe-Water



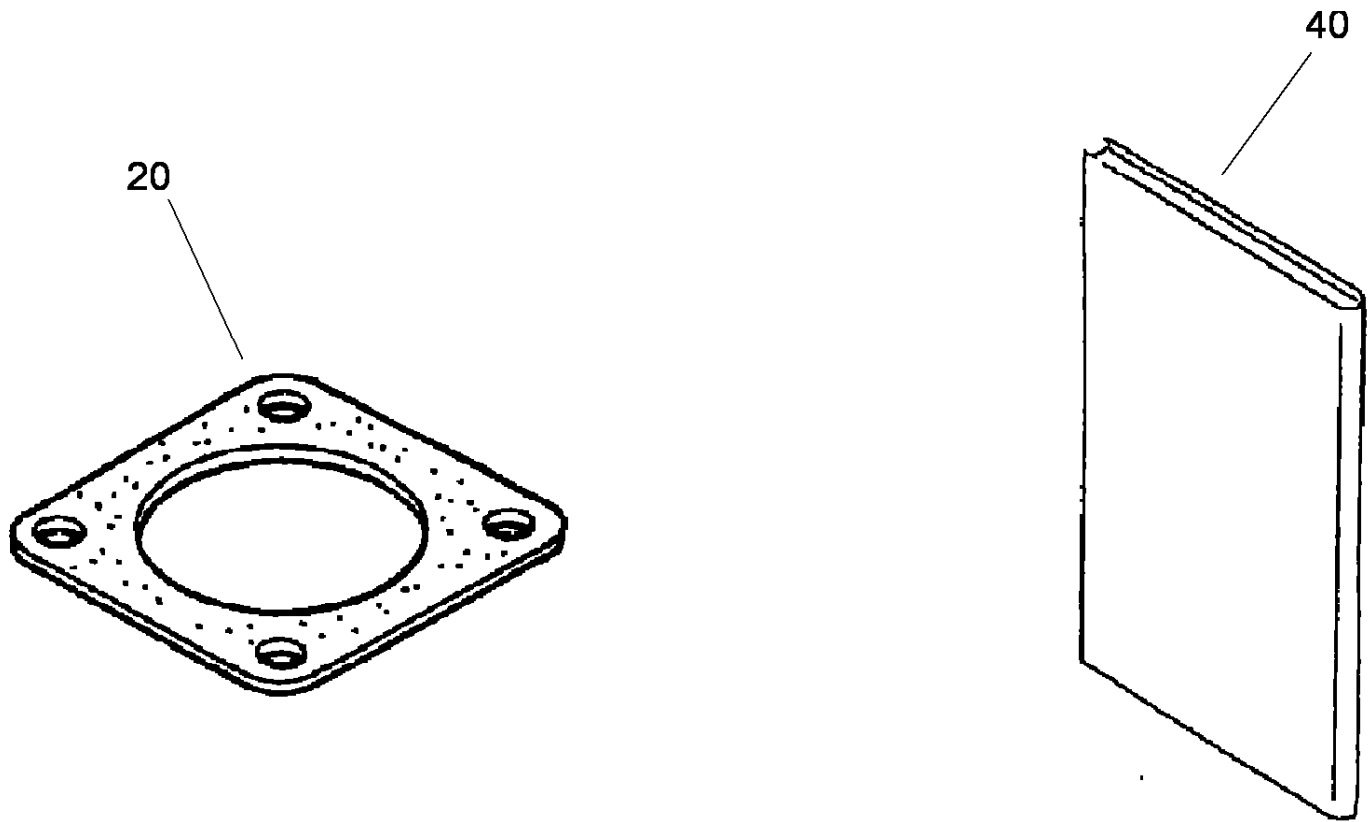
Valve and Rocker Arm Assembly

Ref.	Part Number	Qty.	Description
10	112-7018	4	Valve-Inlet
20	112-7021	4	Valve-Exhaust
30	98-9648	8	Spring-Valve
40	107-9092	8	Retainer-Spring
50	98-9390	8	Collet-Spring, Valve
60	99-8385	8	Seal-Stem, Valve
70	98-9497	8	Cap-Valve
80	105-3790	1	R-Arm Shaft ASM
90	100-9265	2	Bolt
100	98-9505	4	Bracket-Arm, Rocker
110	105-3758	1	Pin-Spring
120	98-9507	2	Washer-Shaft, Rocker Arm
130	110-3832	2	Washer-Plain
140	98-9504	2	Spring-Arm, Rocker
160	112-7020	8	Rocker Arm ASM
170	98-9502	8	Screw-Adjusting
180	98-9503	8	Nut
190	98-9506	4	Stud
200	98-9393	4	Nut
210	98-9385	4	Washer-Flat



Intake and Exhaust Manifold Assembly

<i>Ref.</i>	<i>Part Number</i>	<i>Qty.</i>	<i>Description</i>
10	108-2874	1	Intake Manifold ASM
20	98-9492	1	Joint-Pipe, Breather
30	105-3760	1	Gasket-Manifold, Intake
40	98-7605	3	Bolt
50	98-9353	2	Bolt
60	105-3797	3	Bolt
70	98-9588	8	Stud
80	105-3765	1	Gasket-Manifold, Exhaust
90	112-0187	1	Manifold-Exhaust
100	98-9665	8	Nut
110	98-7769	4	Stud



Muffler Gasket and Engine Operator Manual

<i>Ref.</i>	<i>Part Number</i>	<i>Qty.</i>	<i>Description</i>
20	99-8343	1	Gasket-Muffler
40	107-7827	1	Manual-Operator, Kubota

Attachments and Accessories

For 03680 Reelmaster 5510 Traction Unit

Product Name	Model/Part
Turf Defender Electronic Leak Detector Kit	03521
Air Ride Seat Suspension Kit	03667
Four-Wheel Drive Kit	03671
8-Blade DPA Cutting Unit with 7in Reel.....	03681
11-Blade DPA Cutting Unit with 7in Reel.....	03682
7 Inch Verticutter	03684
Turf Evaluator	04399
Premium Bio-Degradable Hydraulic Fluid (5 Gallon Pail).....	100-7674
Premium All Season Hydraulic Fluid (55 Gallon Drum)	108-1177
Premium All Season Hydraulic Fluid (5 Gallon Pail).....	108-1178
Premium Engine Oil, 10w30 (55 Gallon Drum)	108-1179
Premium Engine Oil, 10w30 (5 Gallon Pail)	108-1180
Premium Bio-Degradable Hydraulic Fluid (55 Gallon Drum)	108-1189
Premium All Purpose Grease (Tube)	108-1190
Gauge Bar Assembly	108-6715
Operator Fan Kit - US Sales Only, 3in ROPS Post	110-8804
Two-Post ROPS Kit	110-8860
Weight Plate	110-8985-03
5in Air Cleaner Safety Element.....	114-4057
Brush and Handle Kit.....	29-9100
Hardtop Sunshade.....	30359
Diagnostic Display Box.....	85-4750
Plastic Plug.....	93-7498



Count on it.