



**Count on it.**

**Parts Catalog**

**Workman® GTX  
Electric Utility Vehicle**

Model No. 07410—Serial No. 410000000 and Up



# Ordering Replacement Parts

To order replacement parts, please supply the part number, the quantity, and the description of each part desired.

## Understanding Reference Numbers

Each identified part in an illustration has a reference number. The reference number for a part also appears in the parts list, along with other information about the part.

This catalog uses two special reference number formats, one to indicate parts in a service assembly and another to indicate the quantity of a given part in an illustration.

## Service Assembly Reference Numbers

Parts in service assemblies have reference numbers in the form a:b. The a represents the reference number of the entire service assembly and the b represents a sequential number unique to each part within the service assembly.

For example, a wheel assembly might be identified by reference number 6, the tire by 6:1, the valve by 6:2, and the wheel by 6:3. When you order the assembly identified by reference number 6, you receive all parts identified by reference numbers 6:1, 6:2, and 6:3. However, you may also order any part individually. Reference numbers of this type appear in illustration and in parts lists.

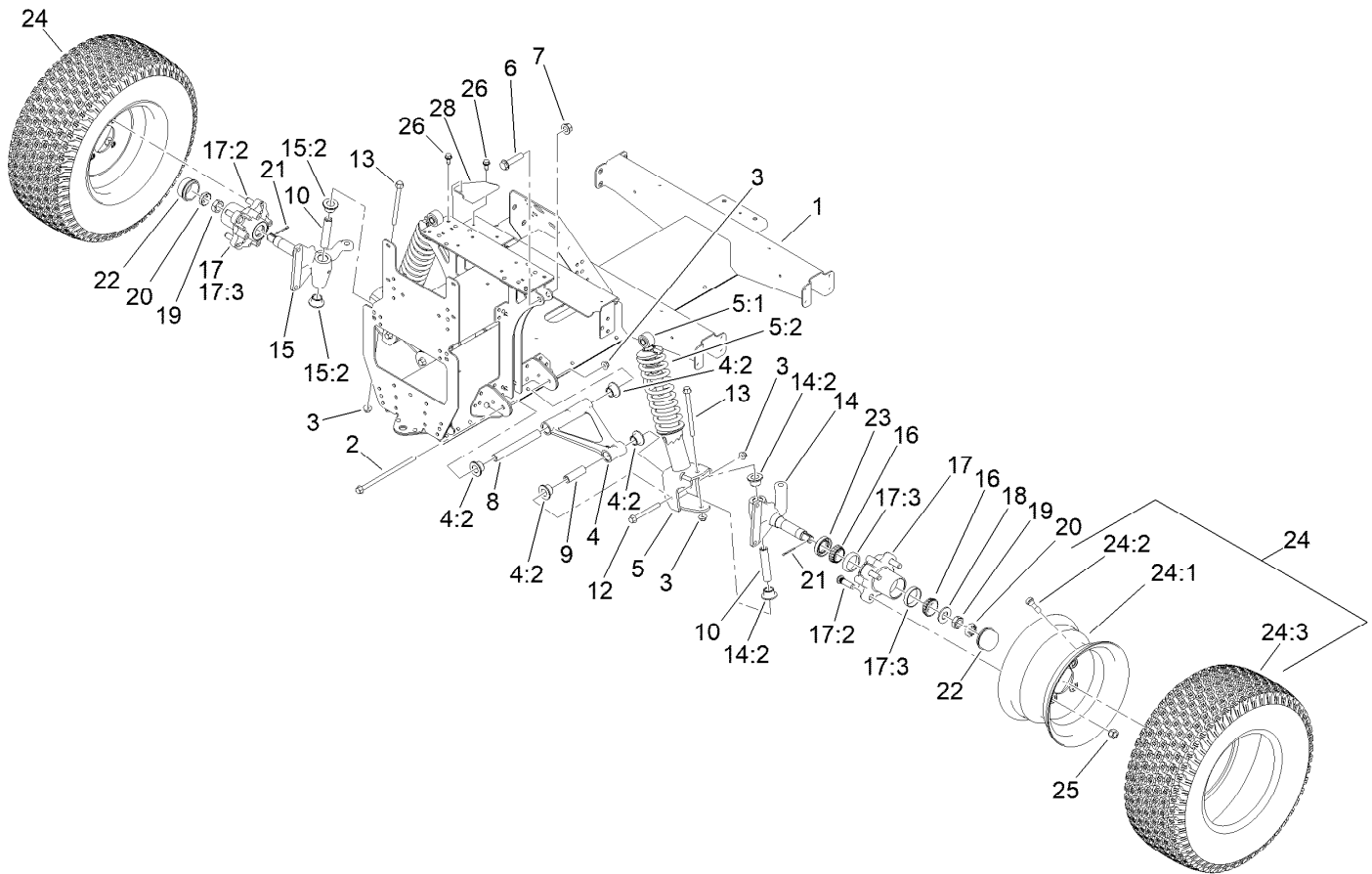
## Reference Numbers Indicating Quantity

In an illustration, if a reference number indicates more than one part, the reference number has the form nX y. The n represents the quantity of the part, the X is the multiplication symbol, and the y represents the reference number.

For example, in an illustration, the reference number 2X 37 means that two of the parts identified by reference number 37 are indicated.

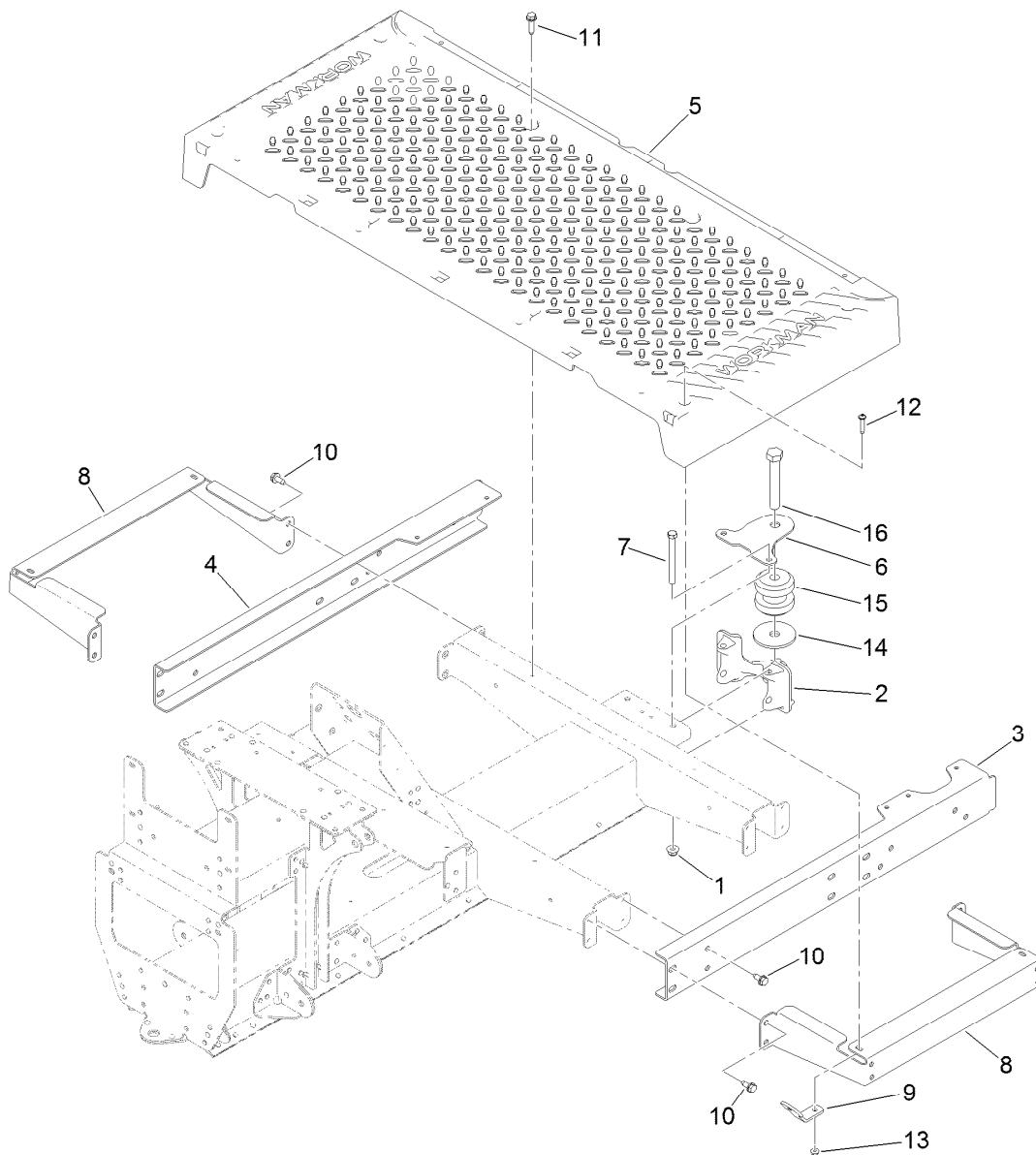
# Contents

Front Frame and Suspension Assembly . . . . .	4
Floor Plate and Rear Suspension Mount Assembly . . . . .	5
Rear Frame and Suspension Assembly . . . . .	6
Frame Mount and Rear Shock/Spring Assembly . . . . .	7
Brake Assembly . . . . .	8
Master Cylinder Assembly No. 104-6782 . . . . .	9
Brake Caliper Assembly No. 140-2575 . . . . .	10
Steering Assembly . . . . .	11
Pedal and Control Assembly . . . . .	12
Hood and Fender Assembly . . . . .	13
Dash Assembly . . . . .	14
Seatbase Assembly . . . . .	15
Cargo Bed Assembly . . . . .	16
Battery Assembly . . . . .	17
Rear Axle and Motor Assembly . . . . .	18
Transaxle Assembly No. 136-6340 . . . . .	19
Electric Motor Assembly No. 137-6936 . . . . .	20
Controller Assembly . . . . .	21
Sevcon Controller Assembly No. 137-9898 . . . . .	23
Onboard Charger Assembly No. 131-8490 . . . . .	24
Accelerator Pedal and Key Switch Assembly . . . . .	25
Attachments and Accessories . . . . .	26



## Front Frame and Suspension Assembly

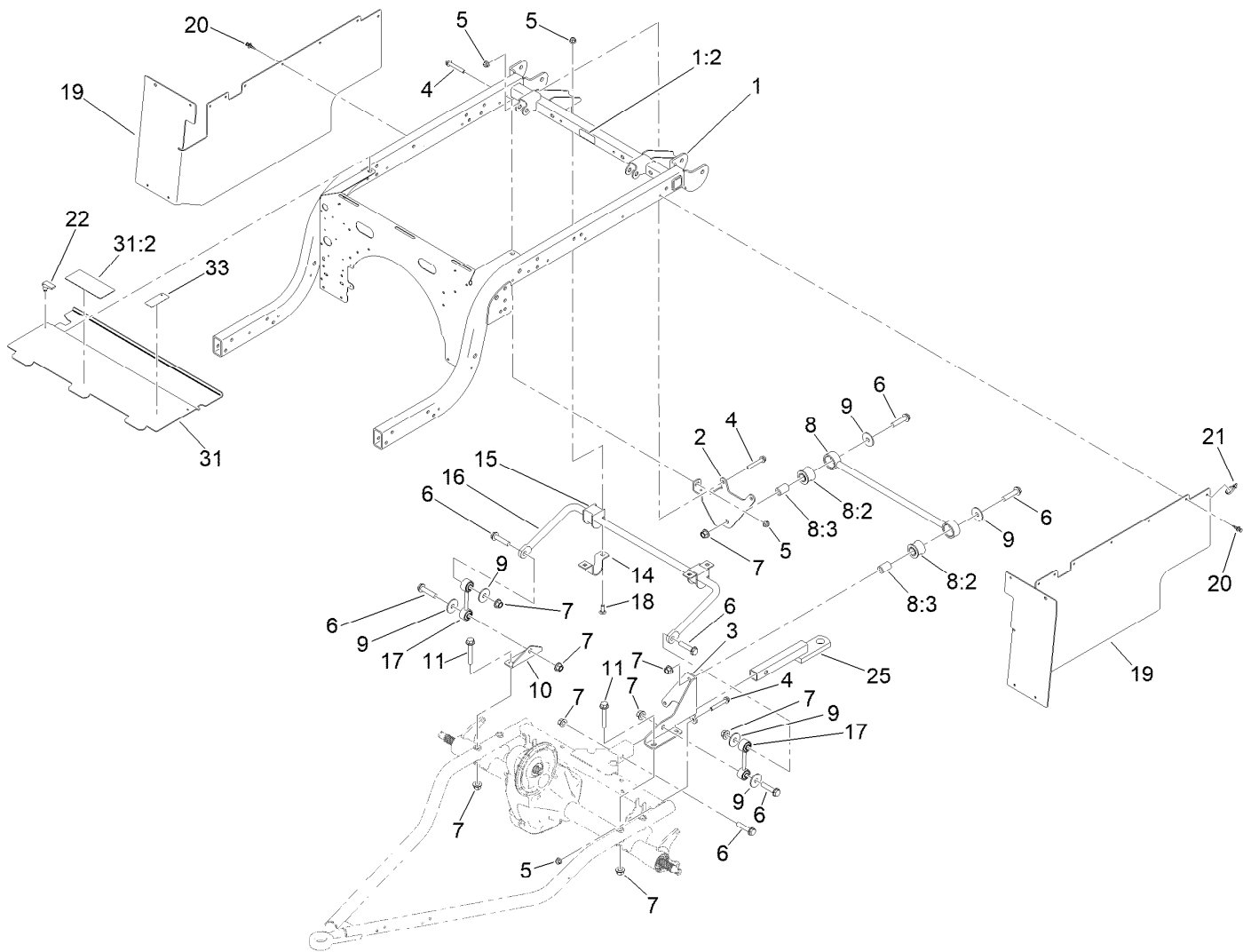
Ref.	Part Number	Qty.	Description	Ref.	Part Number	Qty.	Description
1	127-7718-03	1	Frame-Front	15:2	140-4615	2	Bushing-Flange
2	139-3360	2	Screw-HF	16	254-94	4	Bearing-Cone, Tapered
3	139-3380	6	Nut-HF	17	127-8851	2	Front Hub ASM
4	144-2161	2	Control Arm ASM	17:2	10-6830	4	Stud-Type, Drive
4:2	140-4615	4	Bushing-Flange	17:3	254-72	2	Bearing-Cup, Tapered
5	139-4484	2	Strut ASM, 250 Lb (16.33" EXT Length)	18	93-0309	2	Washer-Tab
5:1	131-8574	1	Isolator-Shock	19	3220-7	2	Nut-Jam
5:2	137-6719	1	Spring-Compression, 250Lb	20	93-0307	2	Nut-Lock, Retainer
6	3234-46	2	Screw-HHF	21	3272-12	2	Pin-Cotter
7	99-5107	2	Nut-Lock	22	241-119	2	Cap-Dust
8	131-8581	2	Sleeve-Control Arm, Inner	23	112-1690	2	Seal-Oil
9	131-8583	2	Sleeve-Control Arm, Outer	24	139-4495	2	Wheel And Tire ASM
10	131-8582	2	Sleeve-Kingpin	24:1	131-8317	1	Wheel
12	139-3370	2	Screw-HF	24:2	232-27	1	Stem-Valve
13	139-3350	2	Screw-HF	24:3	139-4475	1	Tire-20 X 8.00-10
14	144-2162	1	Spindle ASM, LH	25	242-50	8	Nut-Lug
14:2	140-4615	2	Bushing-Flange	26	32144-70	2	Screw-HWHTF
15	144-2163	1	Spindle ASM, RH	28	131-8339-03	1	Reinforcement-Tower



## Floor Plate and Rear Suspension Mount Assembly

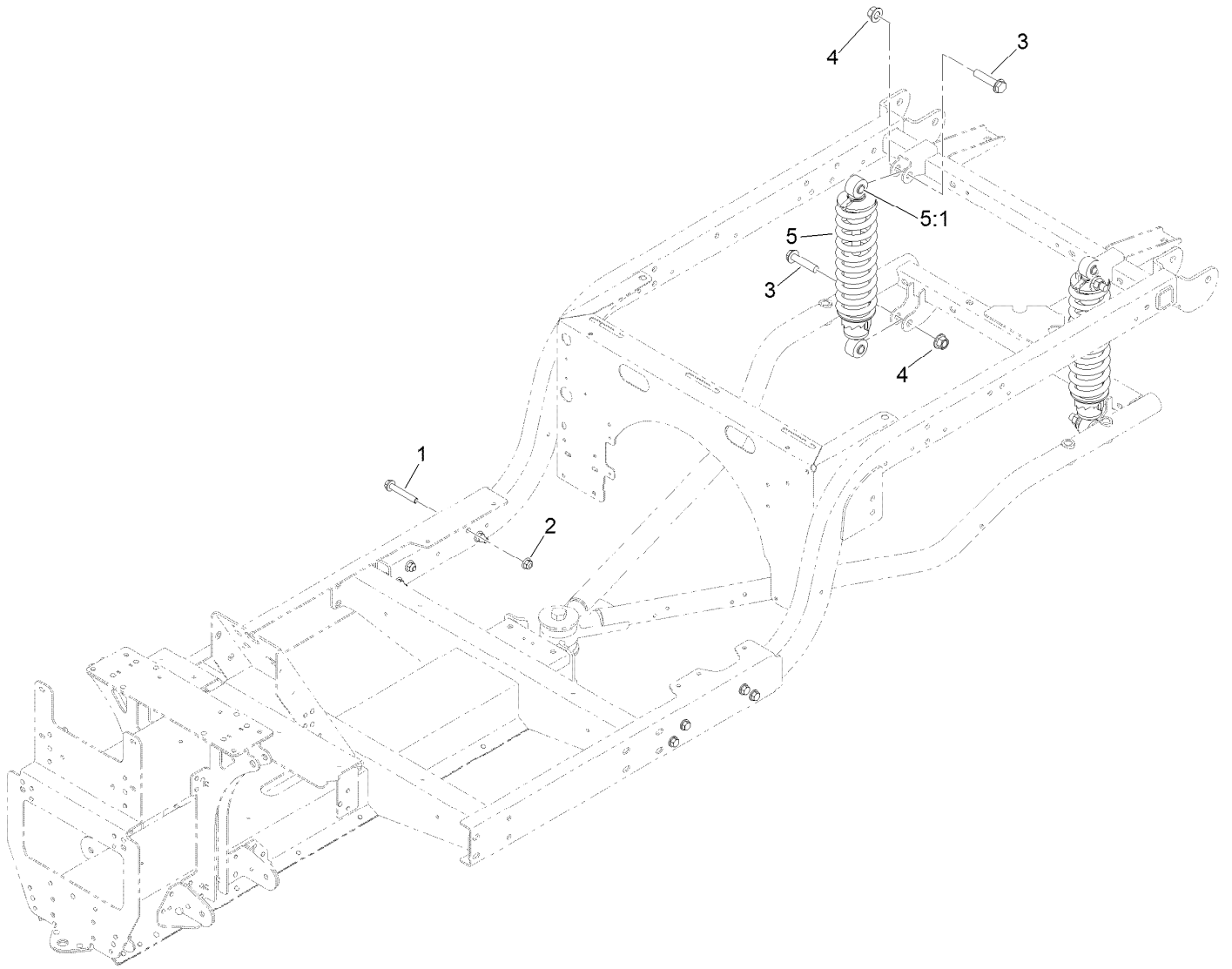
Ref.	Part Number	Qty.	Description
1	104-8301	2	Nut-HF, NI
2	131-8466	1	Mount-Suspension, Rear
3	127-7820-03	1	Channel-Frame, Front (LH)
4	127-7821-03	1	Channel-Frame, Front (RH)
5	127-7829	1	Plate-Floor
6	131-8597	1	Plate-Gimbal, Upper
7	323-42	2	Screw-HH
8	127-7837-03	2	Bracket-Support, Floor Plate

Ref.	Part Number	Qty.	Description
9	127-7832	2	Bracket-Angle
10	32144-70	16	Screw-HWHTF
11	32144-49	4	Screw-HWHTF
12	132-6777	4	Screw-Twh Thd Roll
13	104-7201	4	Nut-HF, NI
14	110-4549	1	Washer-Snubbing
15	131-8480	1	Isolator
16	104-5877	1	Screw-HH



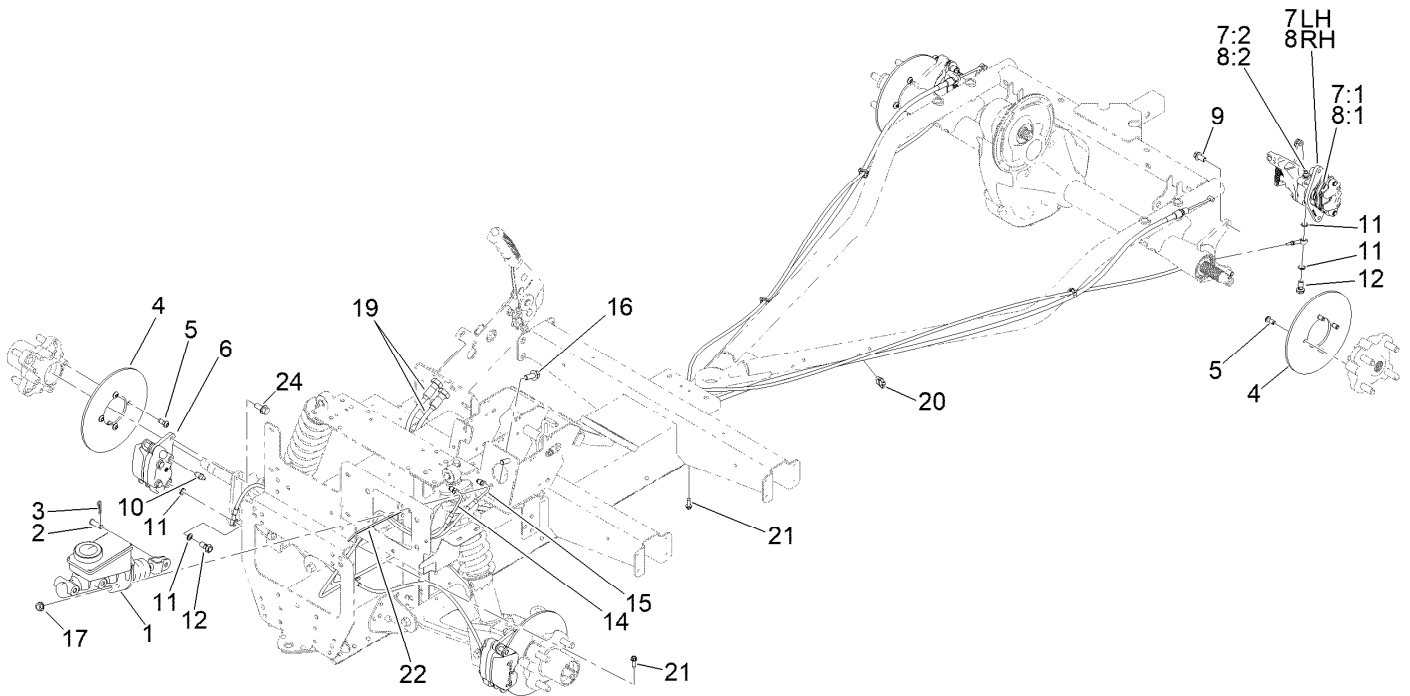
## Rear Frame and Suspension Assembly

<i>Ref.</i>	<i>Part Number</i>	<i>Qty.</i>	<i>Description</i>	<i>Ref.</i>	<i>Part Number</i>	<i>Qty.</i>	<i>Description</i>
1	140-2498	1	Rear Frame ASM	11	3234-40	4	Screw-HF
1:2	115-2047	1	Decal-Surface, Hot	14	139-4644	2	Clamp, Anti-Sway Bar
2	139-4647-03	1	Bracket-Stabilizer Bar	15	87-3910	2	Bushing-Rubber
3	127-7411-03	1	Bracket-Bar, Stabilizer	16	131-8310-03	1	Bar-Sway, Anti
4	3234-39	5	Screw-HHF	17	131-8394	2	Link-Bar, Sway
5	104-8301	9	Nut-HF, NI	18	3231-22	4	Screw-CARR
6	3234-46	7	Screw-HHF	19	131-8346	2	Panel-Side
7	99-5107	11	Nut-Lock	20	125-9622	20	Rivet-Blind
8	109-5013	1	Panhard Rod ASM	21	3290-378	2	Tie-Cable
8:2	109-5009	2	Bushing-Suspension, Rubber	22	74-5950	2	Latch-Swell
8:3	109-5010	2	Spacer	25	137-6741	1	Ball Mount ASM
9	86-1990	6	Washer-Thrust	31	140-4573	1	Extended Panel-Cover
10	131-8315	1	Bracket-Link, Sway Bar	31:2	99-7345	1	Decal-Warning
				33	145-8016	1	Decal-Gtx Electric



## Frame Mount and Rear Shock/Spring Assembly

<i>Ref.</i>	<i>Part Number</i>	<i>Qty.</i>	<i>Description</i>
1	3234-39	8	Screw-HHF
2	104-8301	8	Nut-HF, NI
3	3234-46	4	Screw-HHF
4	99-5107	4	Nut-Lock
5	139-4607	2	Shock/Spring ASM
5:1	131-8574	2	Isolator-Shock

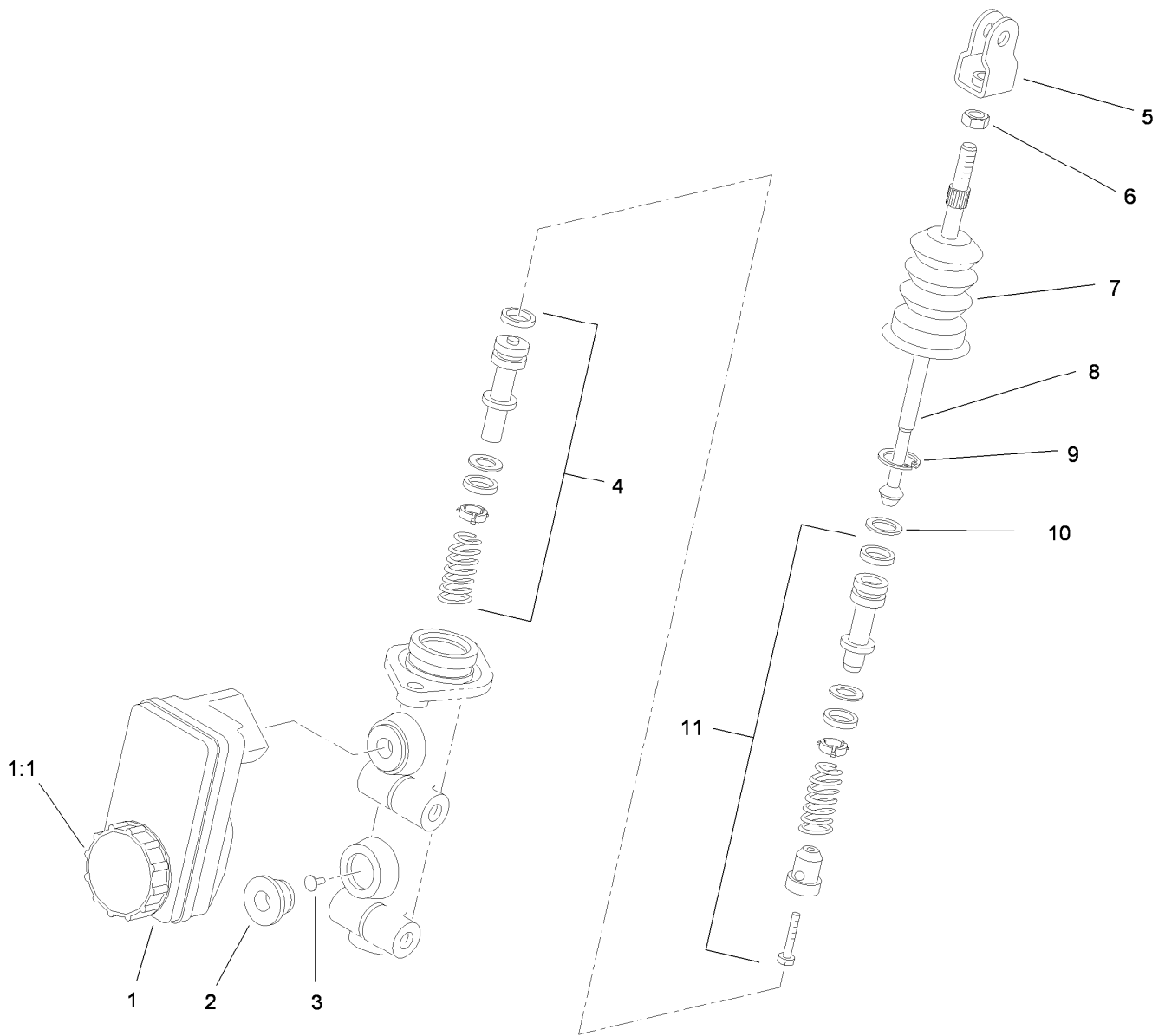


## Brake Assembly

Ref.	Part Number	Qty.	Description	Ref.	Part Number	Qty.	Description
1	104-6782	1	Master Cylinder ASM	8:3	136-6328	2	Spring-Rattle, Anti ●
2	283-2	1	Pin-Clevis	9	144-5550	4	Screw-Spl
3	1-806003	1	Pin-Cotter	10	119-9509	2	Screw-Bleed
4	139-4474	4	Rotor-Brake	11	115-2341	8	Washer-Banjo
5	121-9671	16	Screw-HSBH	12	120-4875	4	Bolt-Flange, Banjo
6	140-2575	2	Brake Caliper ASM	14	127-7781	1	Brake Line-Front
7	140-2585	1	Brake Caliper ASM, LH	15	127-7782	1	Brake Line-Rear
7:1	140-2595	1	Brake Pad Service Kit (Rear, Qty 4)	16	3234-11	2	Screw-HHF
7:2	119-9509	1	Screw-Bleed	17	3290-357	2	Nut-HSF
7:3	136-6328	2	Spring-Rattle, Anti ●	19	131-8406	2	Cable-Park Brake
8	140-2590	1	Brake Caliper ASM, RH	20	32180-030	4	Clip-Tie
8:1	140-2595	1	Brake Pad Service Kit (Rear, Qty 4)	21	49-2040	2	Screw-HWHTF
8:2	119-9509	1	Screw-Bleed	22	3290-378	1	Tie-Cable
				24	3234-25	4	Screw-HHF

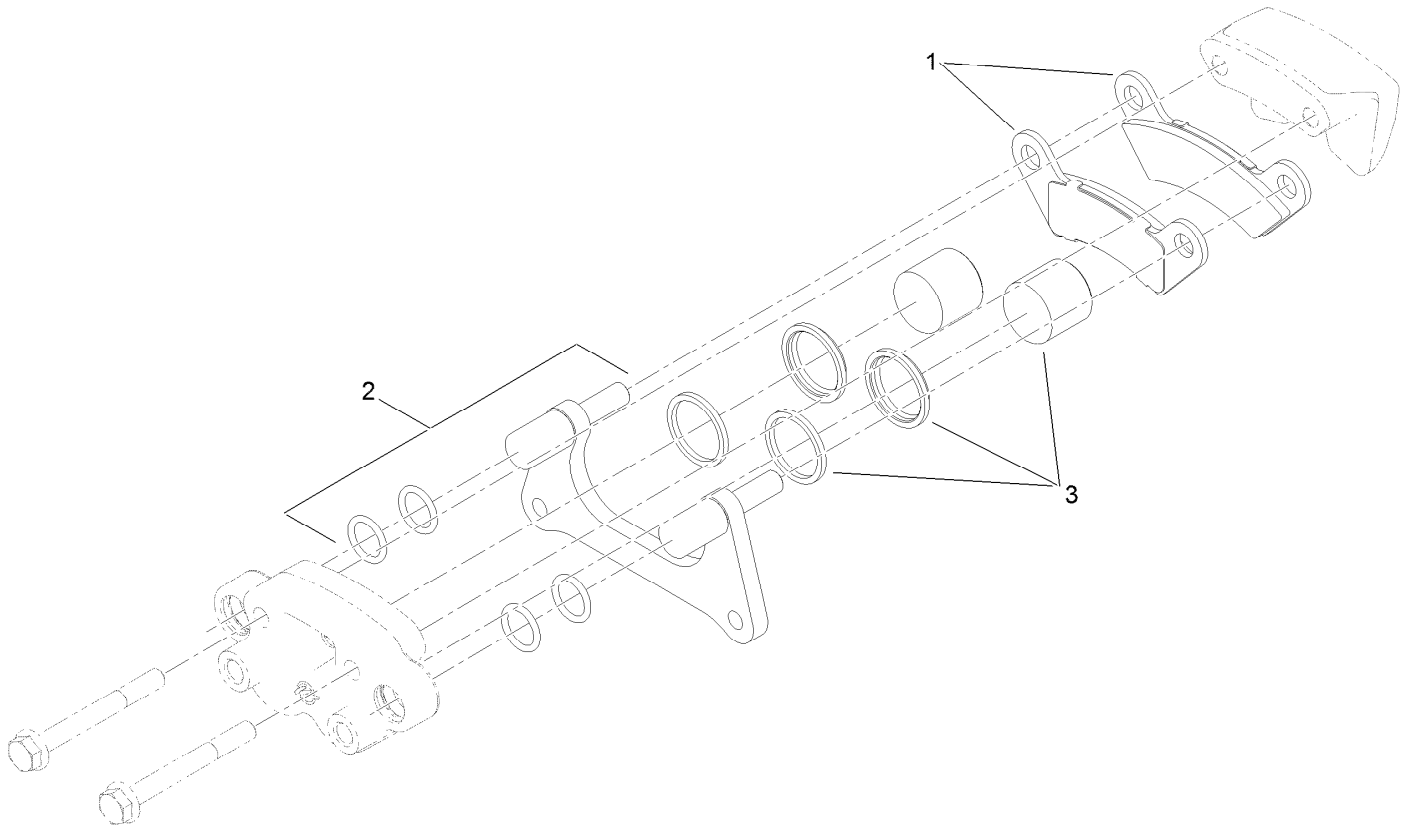
● Not illustrated





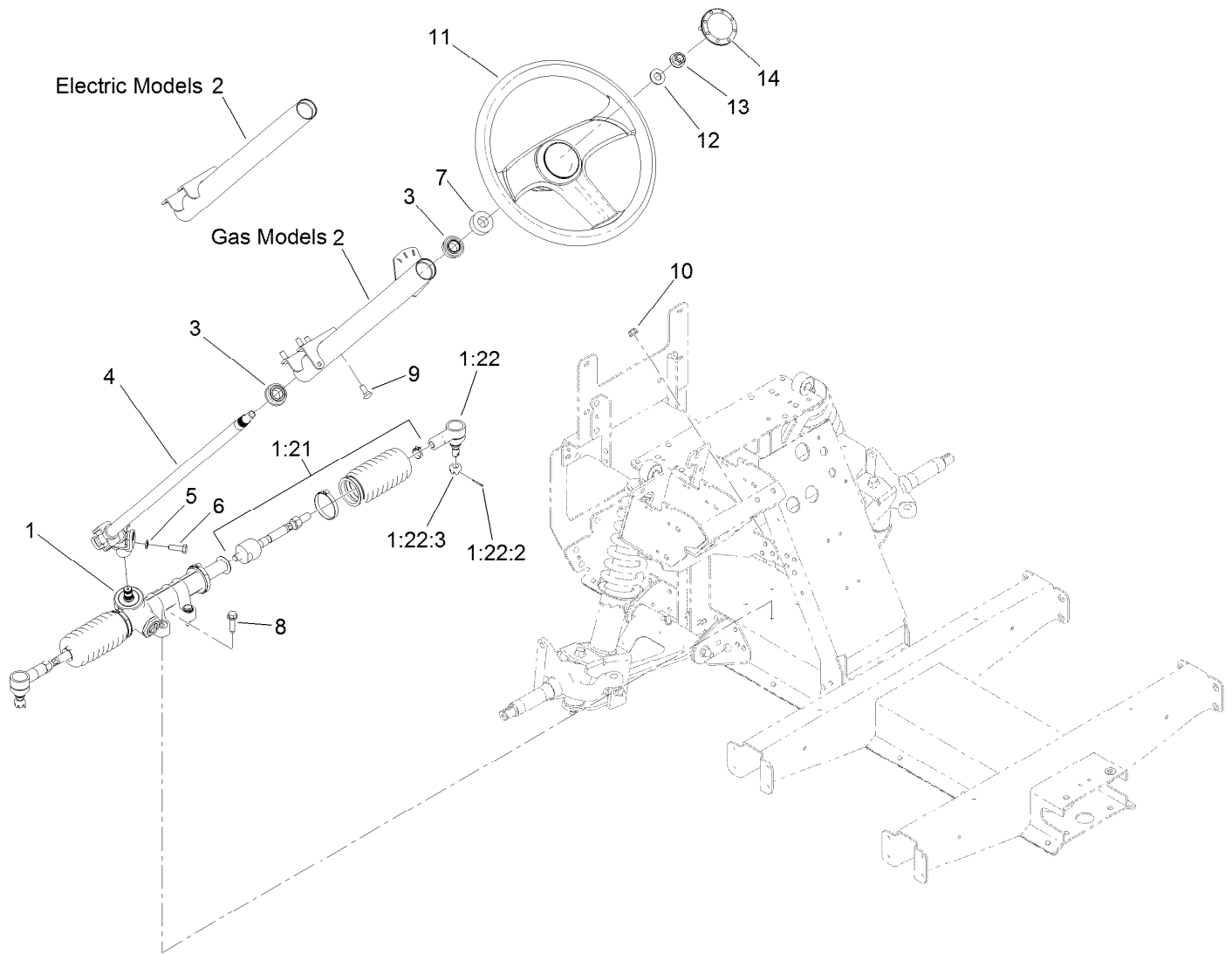
## Master Cylinder Assembly No. 104-6782

Ref.	Part Number	Qty.	Description
1	104-6845	1	Reservoir ASM
1:1	92-4112	1	Cap ASM
2	93-8971	2	Seal-Port, Flange
3	92-4103	1	Pin-Stop
4	92-4102	1	Secondary Piston ASM
5	92-4110	1	Clevis
6	21-0360	1	Nut-Hex
7	94-5209	1	Cover-Dust
8	94-5210	1	Rod-Push
9	92-4109	1	Ring-Snap
10	92-4108	1	Retainer-Washer
11	92-4101	1	Primary Piston ASM



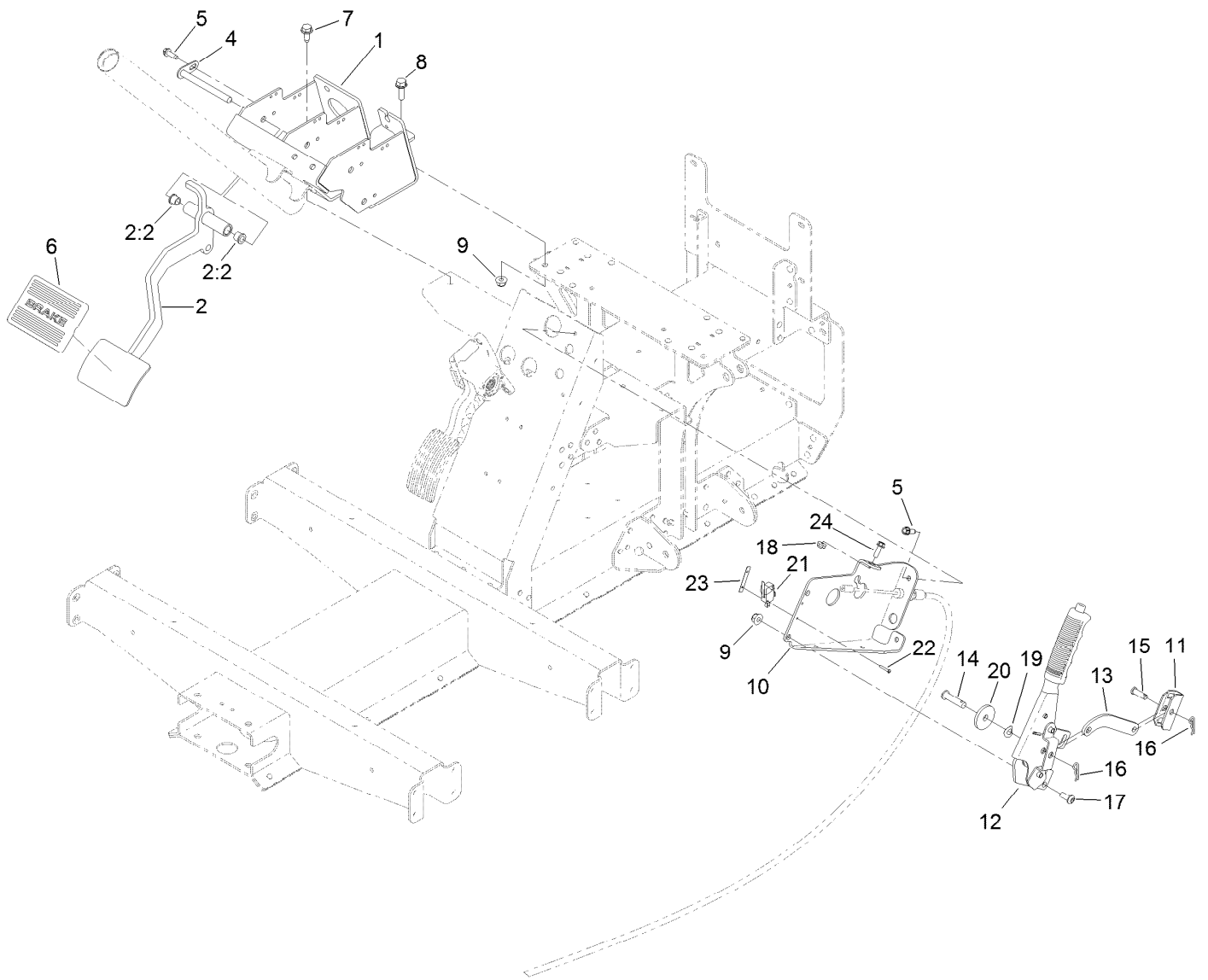
## Brake Caliper Assembly No. 140-2575

<i>Ref.</i>	<i>Part Number</i>	<i>Qty.</i>	<i>Description</i>
1	140-2580	1	Brake Pad Service Kit (Front, Qty 4)
2	119-9511	1	Bracket Kit
3	133-0614	1	Piston Kit



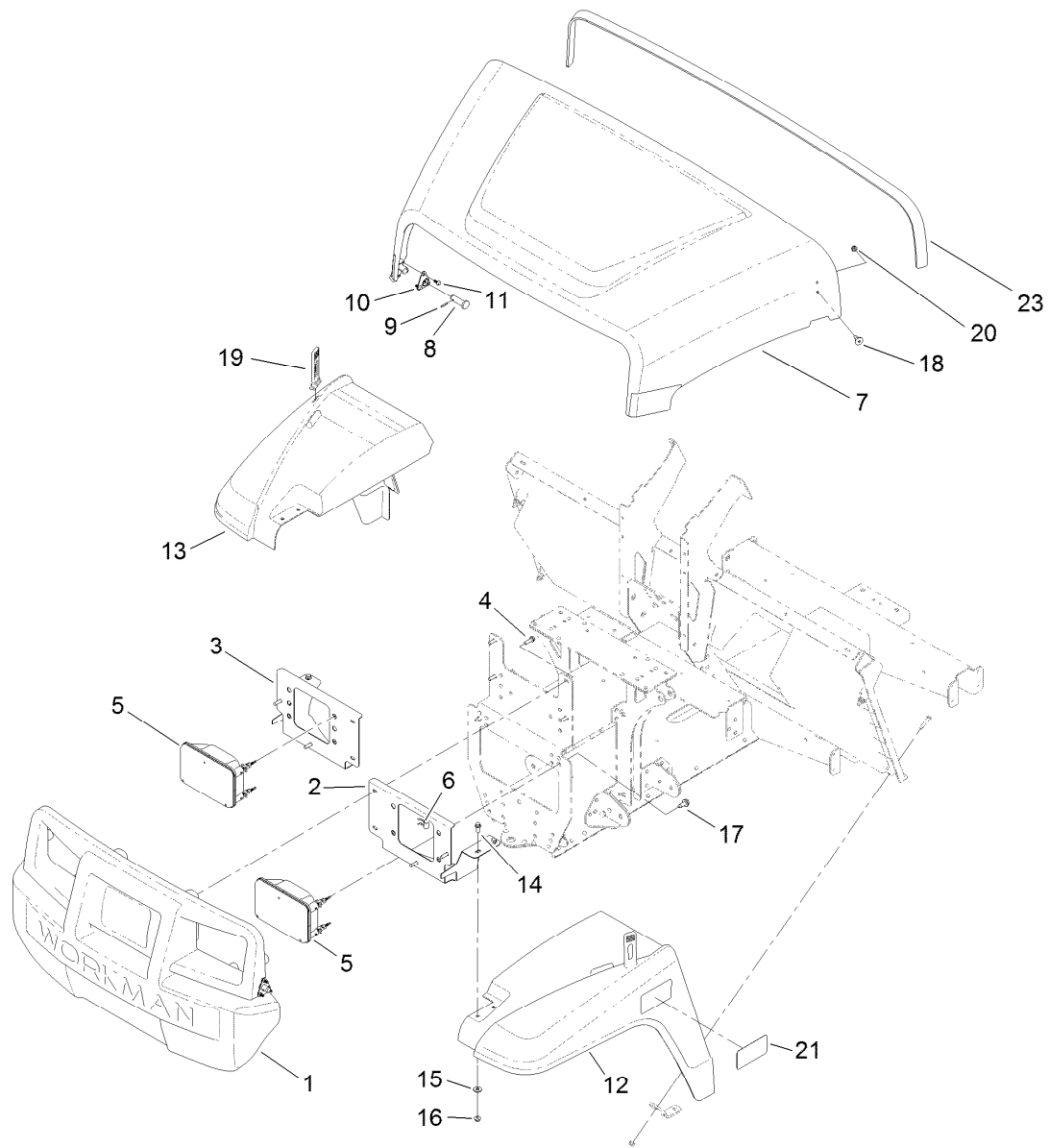
## Steering Assembly

<i>Ref.</i>	<i>Part Number</i>	<i>Qty.</i>	<i>Description</i>	<i>Ref.</i>	<i>Part Number</i>	<i>Qty.</i>	<i>Description</i>
1	138-0114	1	Steering Rack ASM	6	116-3515	1	Screw-HH, Special
1:21	140-4591	1	Kit-Tie Rod ASM, Gtx	7	21-9260	1	Cover-Dust
1:22	140-4592	1	Kit-Rod End ASM	8	32144-49	4	Screw-HWHTF
1:22:2	3272-42	1	Pin-Cotter	9	3230-1	4	Bolt-CARR
1:22:3	140-2493	1	Nut-Hex, Slotted	10	104-8300	4	Nut-HF, NI
2	139-3343	1	Steering Column ASM	11	131-0957	1	Wheel-Steering
3	112-3262	2	Bearing	12	3256-26	1	Washer-Flat
4	127-8804	1	Shaft-Steering	13	99-5107	1	Nut-Lock
5	3253-4	1	Washer-Lock	14	131-3630	1	Cap-Wheel, Steering



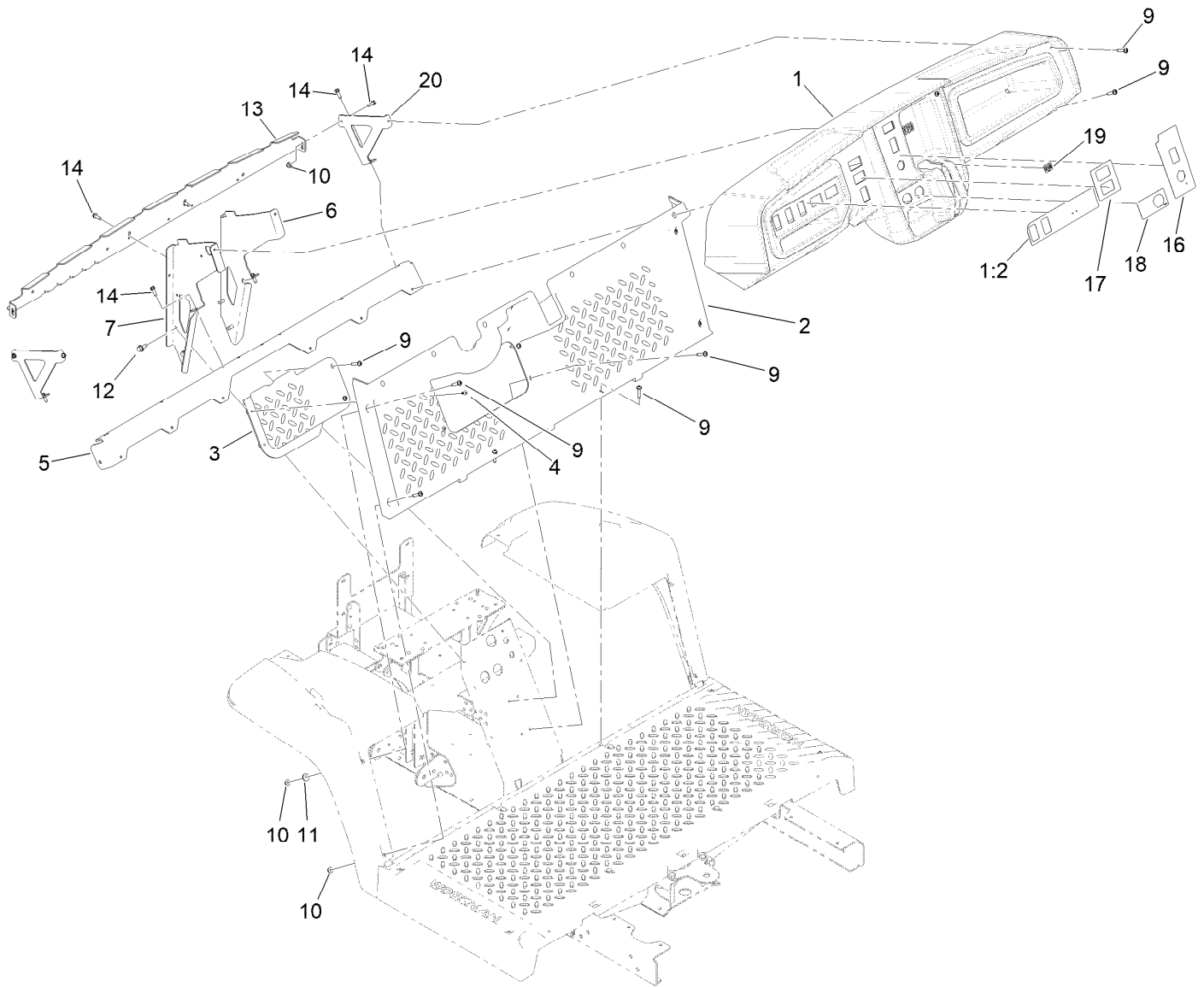
## Pedal and Control Assembly

<i>Ref.</i>	<i>Part Number</i>	<i>Qty.</i>	<i>Description</i>	<i>Ref.</i>	<i>Part Number</i>	<i>Qty.</i>	<i>Description</i>
1	127-8817-03	1	Mount-Pedal	13	144-0516	1	Link-Park, Brake
2	138-9385	1	Brake Pedal ASM	14	283-10	1	Pin-Clevis
2:2	256-116	2	Bushing-Flange	15	1-808280	1	Pin-Clevis
4	131-8459	1	Shaft-Pivot	16	1-806003	2	Pin-Cotter
5	49-2040	3	Screw-HWHTF	17	3274-55	2	Screw-HSBH
6	7-3900	1	Pad-Brake	18	104-7201	1	Nut-HF, NI
7	32144-70	2	Screw-HWHTF	19	121-4605	1	Washer-Spring
8	3234-29	1	Screw-HHF	20	131-8496	1	Washer-Plain
9	104-8300	3	Nut-HF, NI	21	108-6496	1	Switch (W/Boot)
10	140-4836-03	1	Mount-Park Brake	22	3290-313	2	Screw-SPH
11	87-3480	1	Bracket-Equalizer, Cable	23	3290-354	1	Nut-Speed
12	131-8320	1	Lever-Brake, Park	24	115-5103	1	Screw-HHF



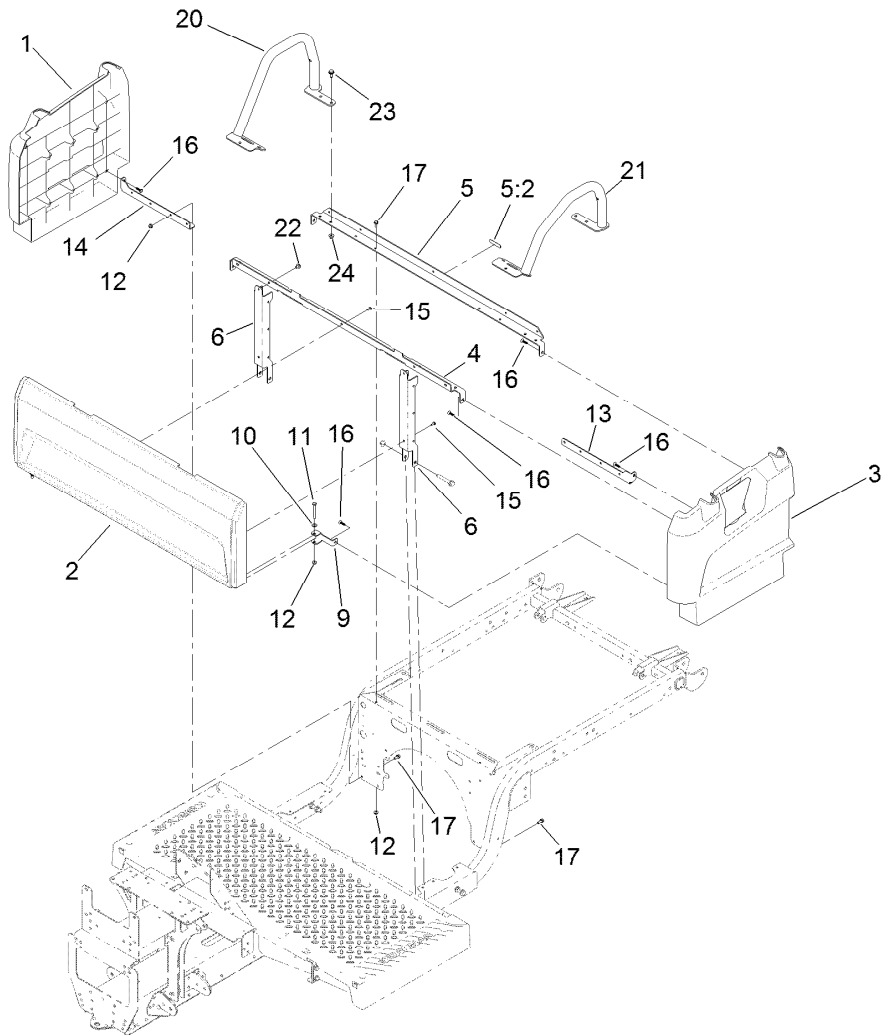
## Hood and Fender Assembly

<i>Ref.</i>	<i>Part Number</i>	<i>Qty.</i>	<i>Description</i>	<i>Ref.</i>	<i>Part Number</i>	<i>Qty.</i>	<i>Description</i>
1	132-8530	1	Bumper	12	127-7771	1	Fender-Front, LH
2	131-8455-03	1	Bracket-Headlight, LH	13	127-7772	1	Fender-Front, RH
3	131-8456-03	1	Bracket-Headlight, RH	14	3234-33	4	Screw-HHF
4	46-8091	8	Screw-HWH	15	3256-2	4	Washer-Flat
5	138-9260	2	Headlight ASM	16	104-7201	4	Nut-HF, NI
6	115-2408	6	Clip-Speed	17	32144-70	2	Screw-HWHTF
7	136-6281	1	Hood	18	125-1122	2	Screw
8	117-5094	2	Pin-Clevis	19	131-8402	2	Strap-Down, Hold
9	32121-50	2	Pin-Spring	20	3296-56	2	Nut-Lock, NI
10	112-3308	2	Retainer-Pin	21	131-8516	2	Decal-Fender
11	121-9605	6	Screw-HWH	23	133-7210	1	Seal-Trim, Hood



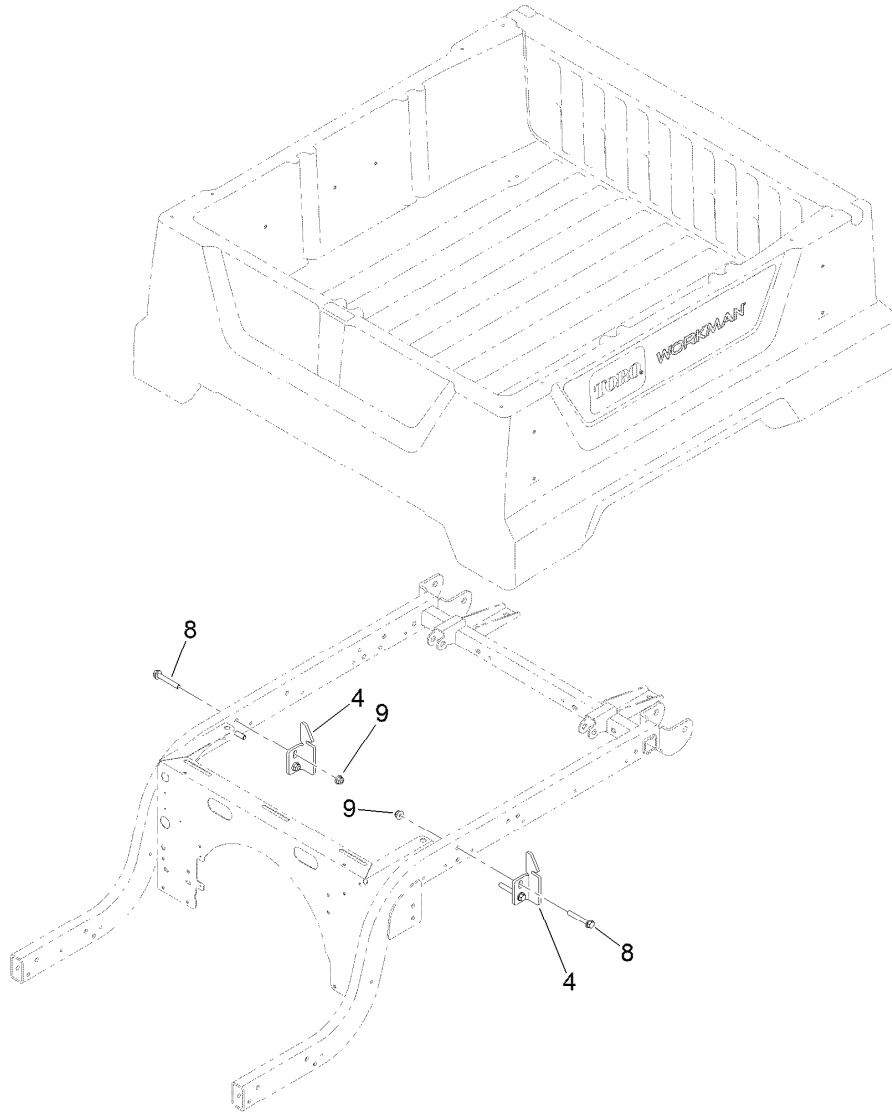
## Dash Assembly

<i>Ref.</i>	<i>Part Number</i>	<i>Qty.</i>	<i>Description</i>	<i>Ref.</i>	<i>Part Number</i>	<i>Qty.</i>	<i>Description</i>
1	145-2099	1	Dash-Gtx	11	3256-2	2	Washer-Flat
1:2	145-2261	1	Decal-Dashboard, Gtx	12	32144-70	4	Screw-HWHTF
2	127-7846	1	Footboard	13	131-8568-03	1	Reinforcement-Dash
3	127-7847	1	Cover-Footboard	14	49-2040	8	Screw-HWHTF
4	107-7461	2	Screw-Plastite	16	145-2263	1	Decal-Control Panel, Electric
5	127-7831-03	1	Angle	17	145-2264	1	Decal-Dash Center, Electric
6	131-8336-03	1	Bracket-Dash, RH	18	131-8493	1	Decal-USB
7	145-2094-03	1	Bracket-Dash, LH	19	131-8506	1	Decal-Status, Machine
9	132-6777	20	Screw-Twh Thd Roll	20	131-8569-03	2	Bracket-Dash, Side
10	104-7201	6	Nut-HF, NI				



## Seatbase Assembly

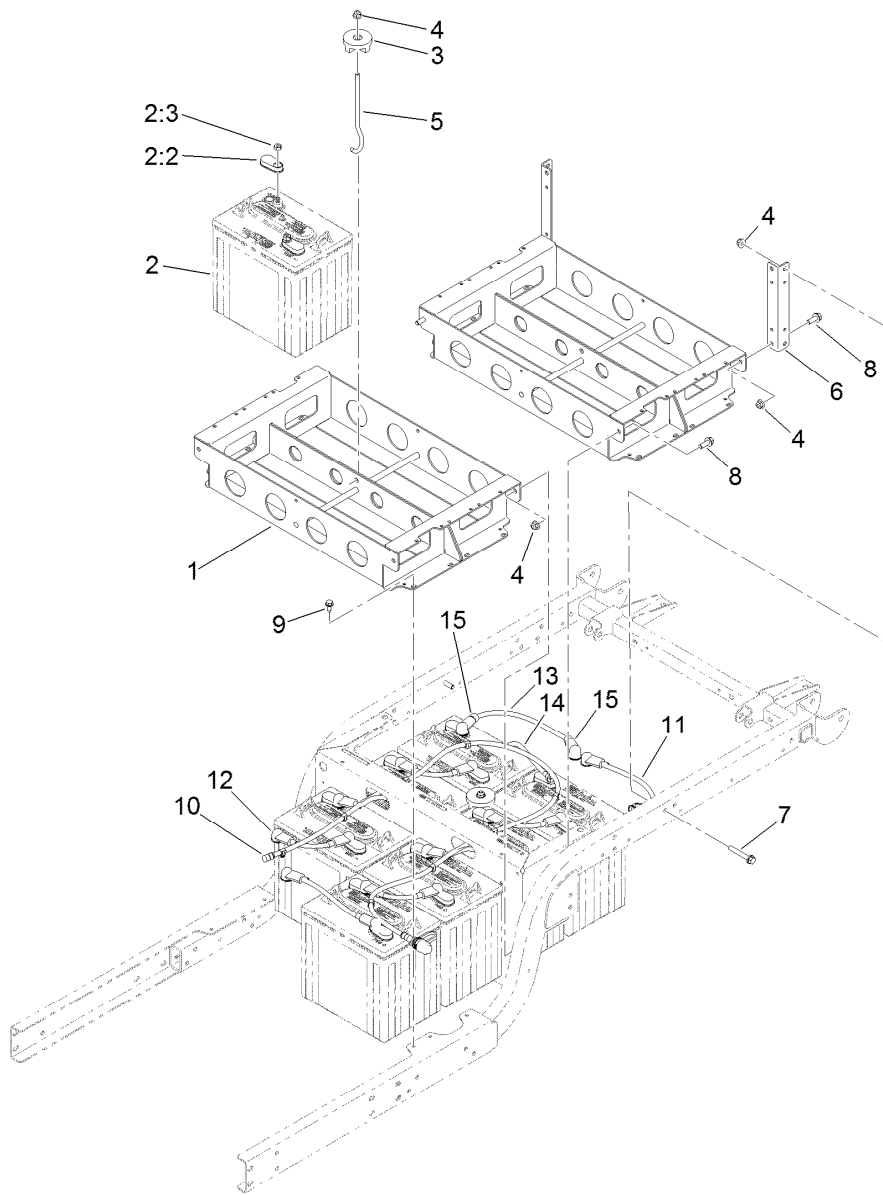
<i>Ref.</i>	<i>Part Number</i>	<i>Qty.</i>	<i>Description</i>	<i>Ref.</i>	<i>Part Number</i>	<i>Qty.</i>	<i>Description</i>
1	127-7805	1	Side-Base, Seat (RH)	13	127-7842-03	1	Bracket-Support, Side (LH)
2	133-7188	1	Panel-Base, Seat	14	127-7843-03	1	Bracket-Support, Side (RH)
3	127-7807	1	Side-Base, Seat (LH)	15	112-6349	5	Screw-HWH
4	133-7345-03	1	Support-Seat	16	120-2349	8	Screw
5	137-6991	1	Seat Support ASM	17	3234-33	6	Screw-HHF
5:2	120-9570	1	Decal-Warning	20	131-8352-05	1	Restraint-Hip, RH
6	127-7841-03	2	Channel-Support, Seat	21	131-8353-05	1	Restraint-Hip, LH
9	127-7844-03	2	Clamp-Plate, Floor	22	46-6810	2	Screw And Washer ASM
10	3256-22	2	Washer-Flat	23	32144-70	6	Screw-HWHTF
11	321-18	2	Screw-HH	24	104-8300	6	Nut-HF, NI
12	104-7201	8	Nut-HF, NI				



## Cargo Bed Assembly

<i>Ref.</i>	<i>Part Number</i>	<i>Qty.</i>	<i>Description</i>
4	127-7428-03	2	Striker-Latch, Bed
8	3234-39	4	Screw-HHF
9	104-8301	4	Nut-HF, NI



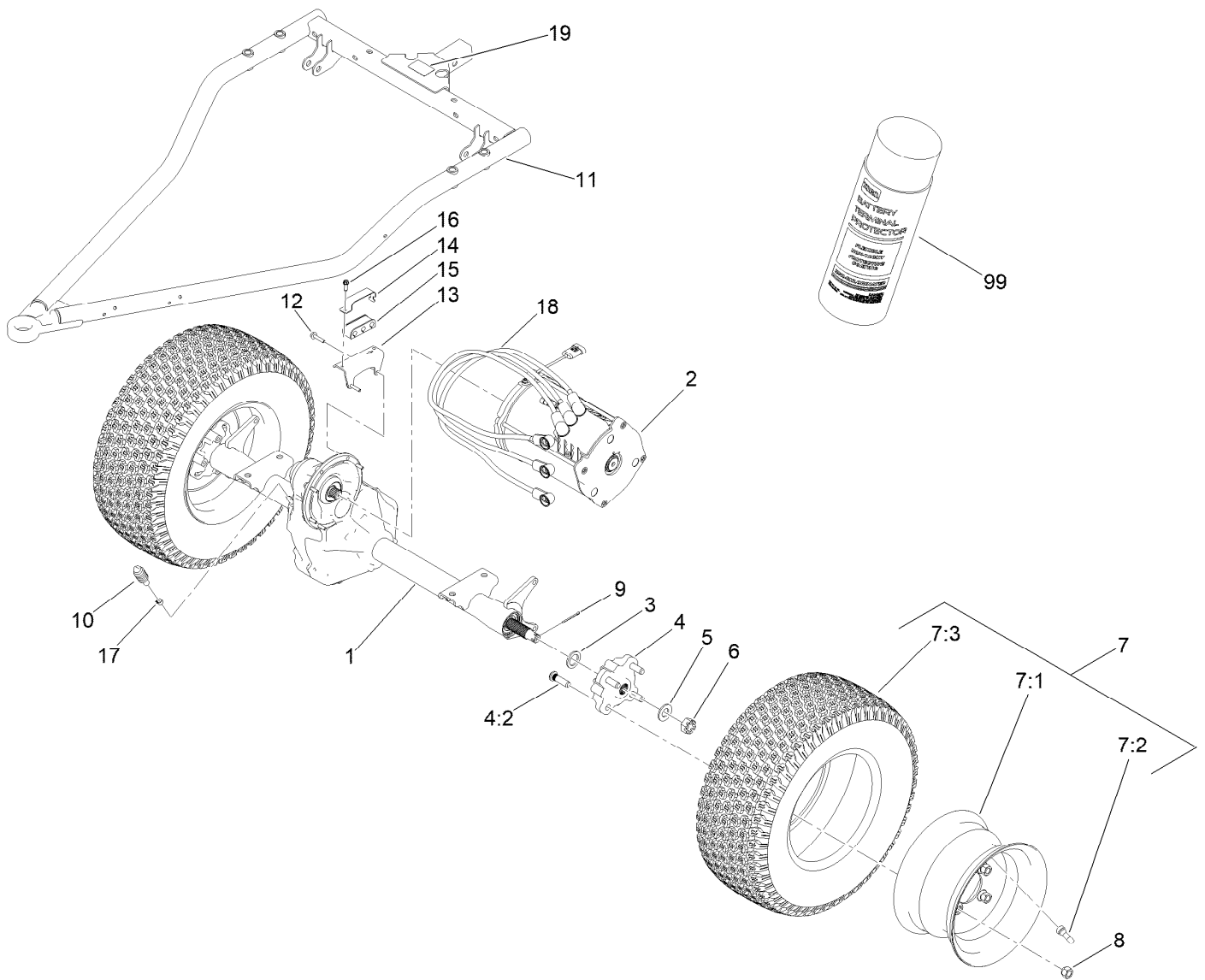


## Battery Assembly

Ref.	Part Number	Qty.	Description	Ref.	Part Number	Qty.	Description
1	131-8300-03	2	Tray-Battery	9	32144-70	4	Screw-HWHTF
2		8	Battery-Lead Acid, Wet ■	10	131-8491	1	Watering Hose ASM
2:2	107-0289	2	Cover-Terminal, Battery	11	107-0739	2	Cable-Battery, Positive
2:3	107-0388	2	Nut	12	107-0738	6	Cable-Battery, Rd ASM
3	104-7149	2	Hold Down ASM	13	122-0750	1	Cable-Battery, Positive
4	104-8301	8	Nut-HF, NI	14	94-6168	1	Wire-Ground, Battery
5	131-8387	2	Rod-Battery Hold Down	15	32180-009	2	Insulator-Lug, Red
6	131-8302-03	2	Bracket-Box, Battery	99	107-0392	1	Protection-Terminal, Aerosol ●
7	3234-39	2	Screw-HHF				
8	3234-42	4	Screw-HHF				

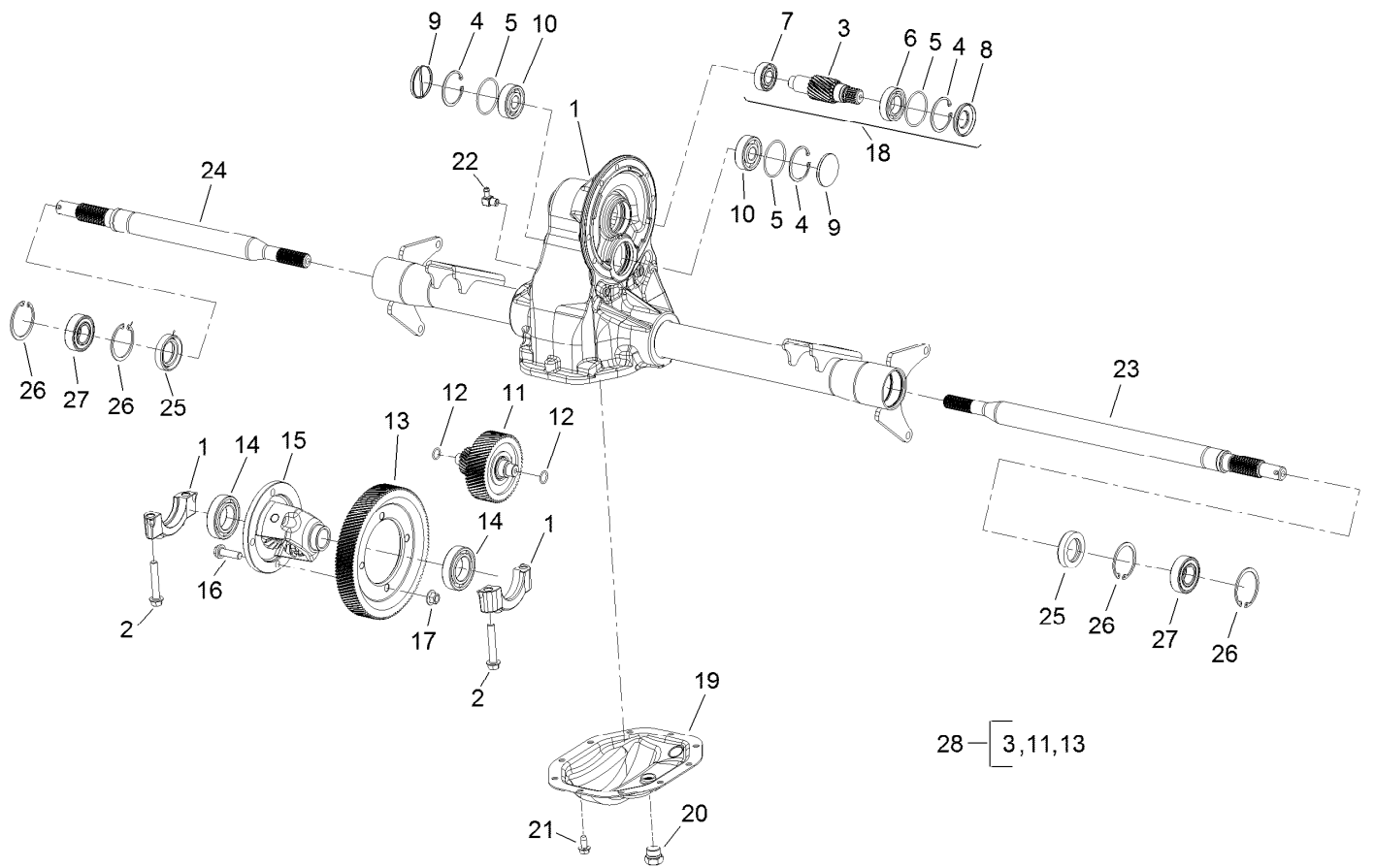
● Not illustrated

■ Not serviced separately



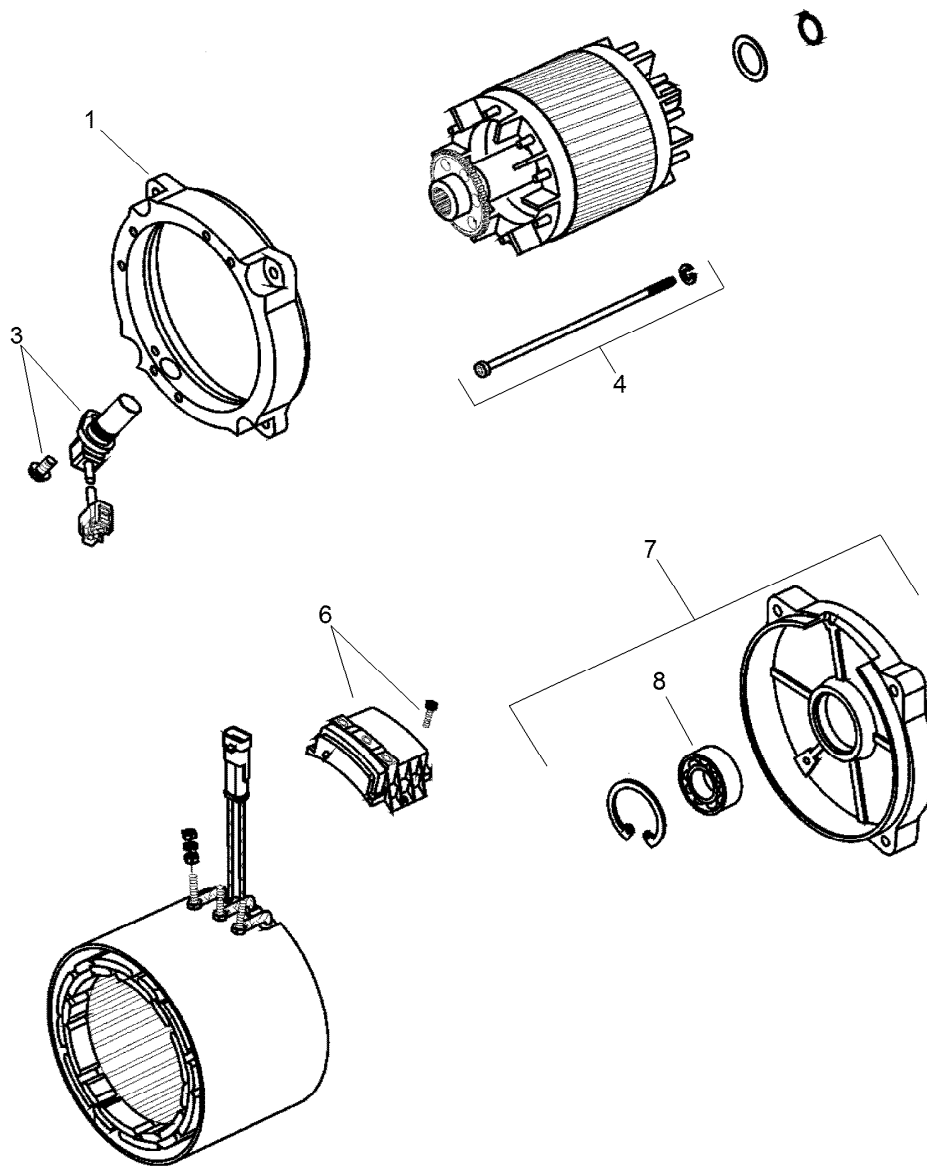
## Rear Axle and Motor Assembly

Ref.	Part Number	Qty.	Description	Ref.	Part Number	Qty.	Description
1	136-6340	1	Transaxle ASM	10	127-8859	1	Bellows-Breather
2	137-6936	1	Motor-AC	11	140-2568-03	1	Gtx-E Swing Arm ASM [black]
3	131-8570	2	Spacer-Hardened	12	33103-030	6	Screw-HHF
4	140-4849	2	Hub ASM, Rear	13	131-8416	1	Bracket-Cable
4:2	10-6830	4	Stud-Type, Drive	14	131-8482	1	Retainer-Isolator
5	92-5836	2	Washer	15	131-8420	1	Isolator-Clamp
6	32136-5	2	Nut-Hex, Slotted	16	49-2040	1	Screw-HWHTF
7	139-4495	2	Wheel And Tire ASM	17	2412-146	1	Clamp-Hose
7:1	131-8317	1	Wheel	18	122-0743	3	Cable-Battery, Rd ASM
7:2	232-27	1	Stem-Valve	19	137-9984	1	Decal-Load, Towing
7:3	139-4475	1	Tire-20 X 8.00-10	99	107-0392	1	Protection-Terminal, Aerosol
8	242-50	8	Nut-Lug				
9	1-806800	2	Pin-Cotter				



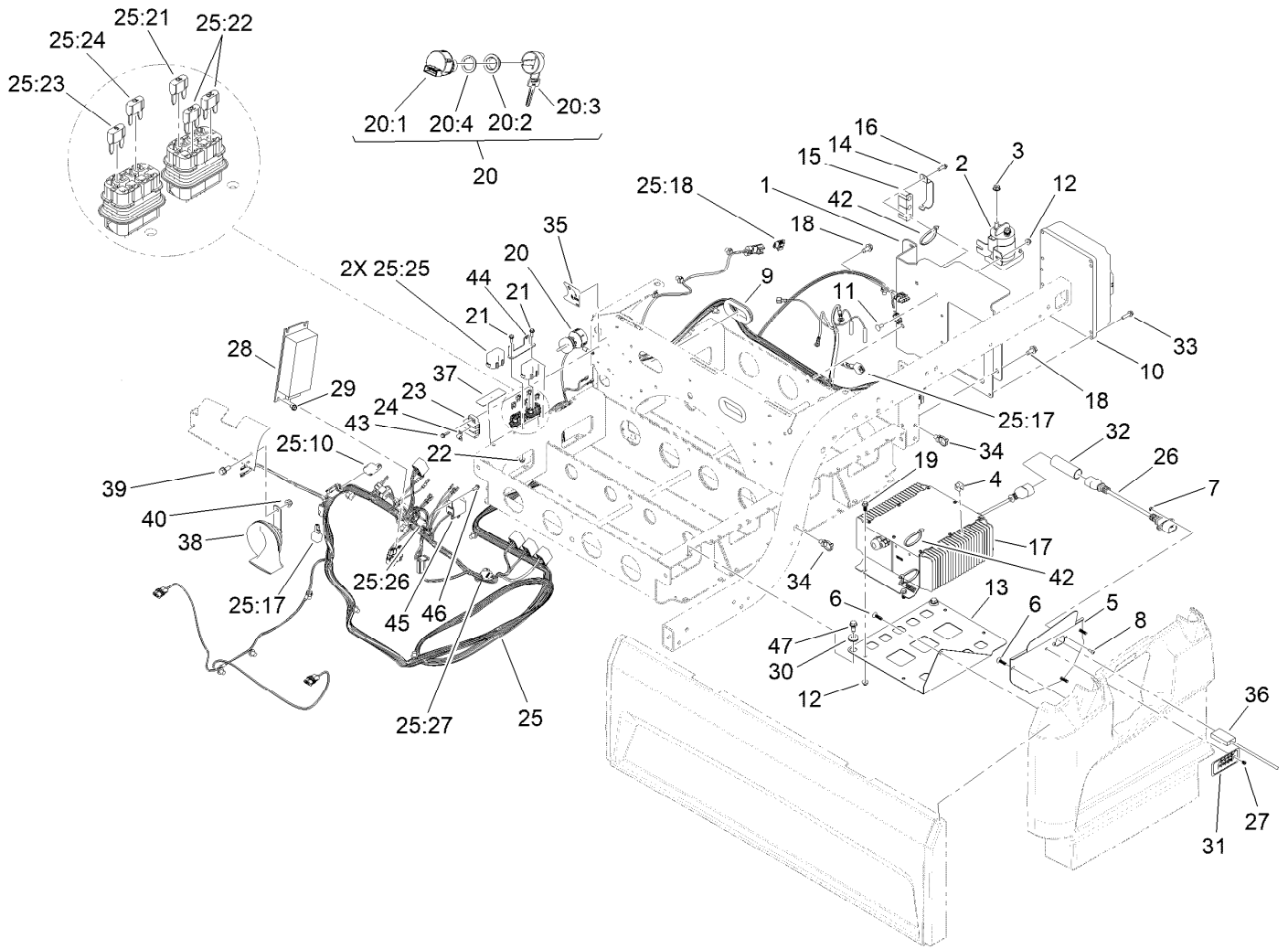
## Transaxle Assembly No. 136-6340

Ref.	Part Number	Qty.	Description	Ref.	Part Number	Qty.	Description
1	133-2447	1	Housing-Axle	15	133-2461	1	Differential ASM
2	133-2448	4	Bolt-Cap, Bearing	16	133-2462	4	Bolt-HHF
3	133-2485	1	Gear-Input	17	133-2463	4	Nut-Lock
4	133-2450	3	Ring-Retaining	18	133-2487	1	Input Gear Kit
5	133-2451	3	O-Ring	19	136-6341	1	Plate-Cover
6	133-2452	1	Bearing-Ball	20	133-2466	1	Plug-HH
7	133-2453	1	Bearing-Ball	21	133-2467	10	Screw-Tapping
8	133-2454	1	Seal-Oil	22	133-2468	1	Elbow-Hose
9	133-2455	2	Plug-Cap, End	23	133-2469	1	Shaft-Axle, LH
10	133-2456	2	Bearing-Ball	24	133-2470	1	Shaft-Axle, RH
11	133-2486	1	Intermediate Gear ASM	25	112-3140	2	Seal-Oil
12	133-2458	2	O-Ring	26	133-2472	4	Ring-Retaining
13	133-2459	1	Gear-Drive, Final	27	108-2425	2	Bearing-Ball
14	133-2460	2	Bearing-Ball	28	108-2409	1	Internal Gear Kit



## Electric Motor Assembly No. 137-6936

<i>Ref.</i>	<i>Part Number</i>	<i>Qty.</i>	<i>Description</i>
1	132-4924	1	Bracket-End, Drive
3	132-4925	1	Sensor
4	132-4926	1	Screw
6	132-4927	1	Plate-Connection
7	132-4928	1	Bracket-End, Rear
8	132-4929	1	Bearing

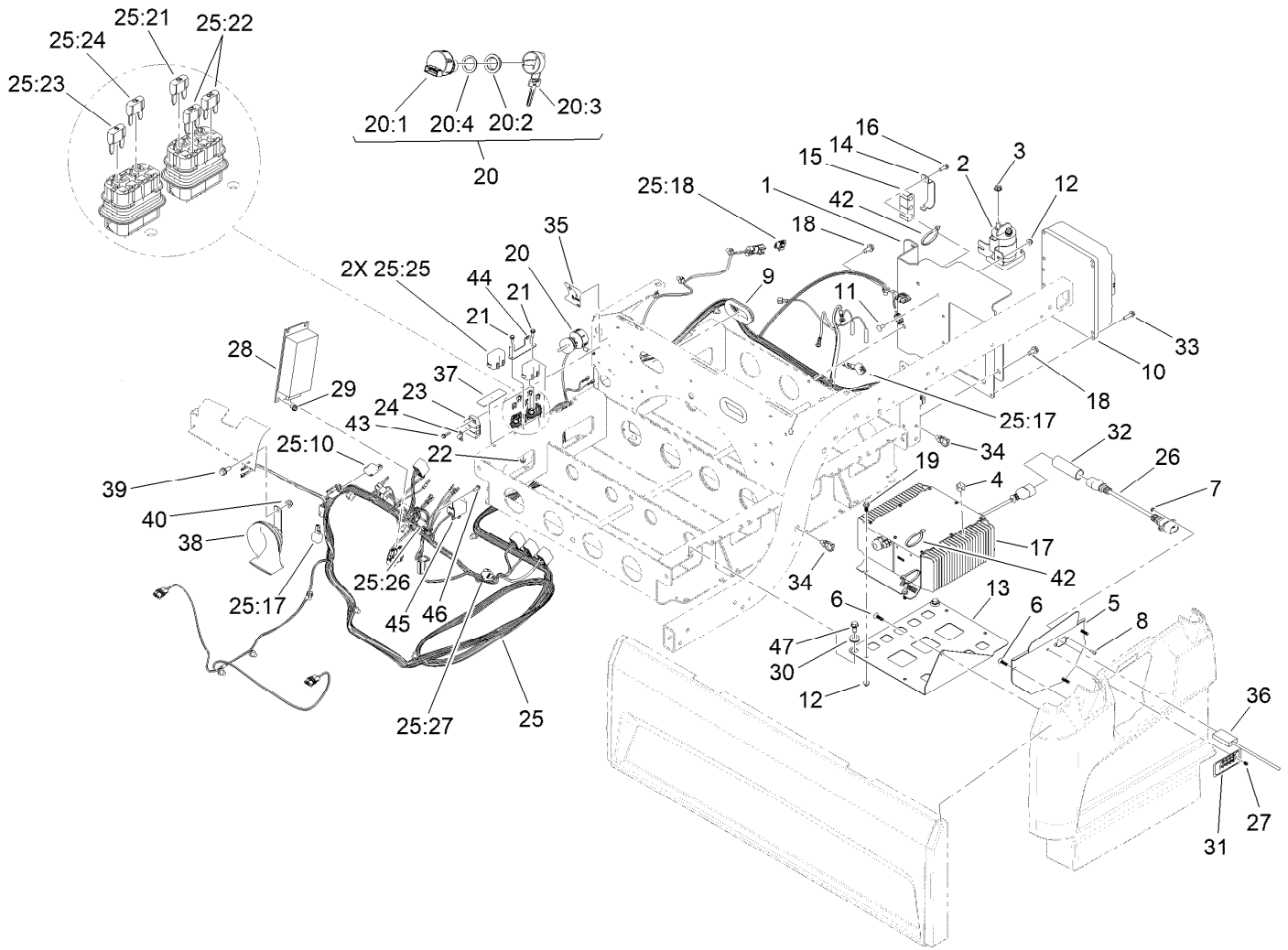


## Controller Assembly

Ref.	Part Number	Qty.	Description	Ref.	Part Number	Qty.	Description
1	131-8415-03	1	Bracket-Controller	17	131-8490	1	Charger-48V Onboard
2	104-7136	1	Contactora-Trombetta	18	32144-70	3	Screw-HWHTF
3	107-0380	2	Nut-HHF	19	99-6810	4	Screw-HHF
4	32180-082	1	Clip-Edge W/Tie, Perpendicular	20	110-2580	1	Switch-Key, Supervisor
5	140-2578-05	1	Bracket-Mounting, Charger Cord	20:1		1	Switch-Key ■
6	120-2349	4	Screw	20:2	108-8660	1	Nut-Mounting
7	3296-54	2	Nut-Lock	20:3	110-5221	1	Set-Key, Supervisor
8	3250-26	2	Screw-PPH	20:4	108-8659	1	Washer-Backup
9	240-12	2	Grommet-Rubber	21	32105-23	2	Screw
10	137-9898	1	Controller-Sevcon	22	3290-148	2	Nut-HF
11	3229-11	2	Screw-CARR	23	42862	1	Block-Terminal, Ground
12	104-7201	6	Nut-HF, NI	24	42863	1	Strip-Jumper
13	140-2598-03	1	Bracket-Mounting, Charger	25	122-2487	1	Harness-Wire, Gtx-E, Lead Acid, Main
14	131-8482	1	Retainer-Isolator	25:10	32180-156	1	Cap-Plug, 6 Way
15	131-8420	1	Isolator-Clamp	25:17	100-4918	2	Diode
16	49-2040	1	Screw-HWHTF	25:18	32160-092	1	Connector-Mp280, 2F
				25:21	121-8880	1	Fuse-Mini Blade, 10 Amp

● Not illustrated

■ Not serviced separately

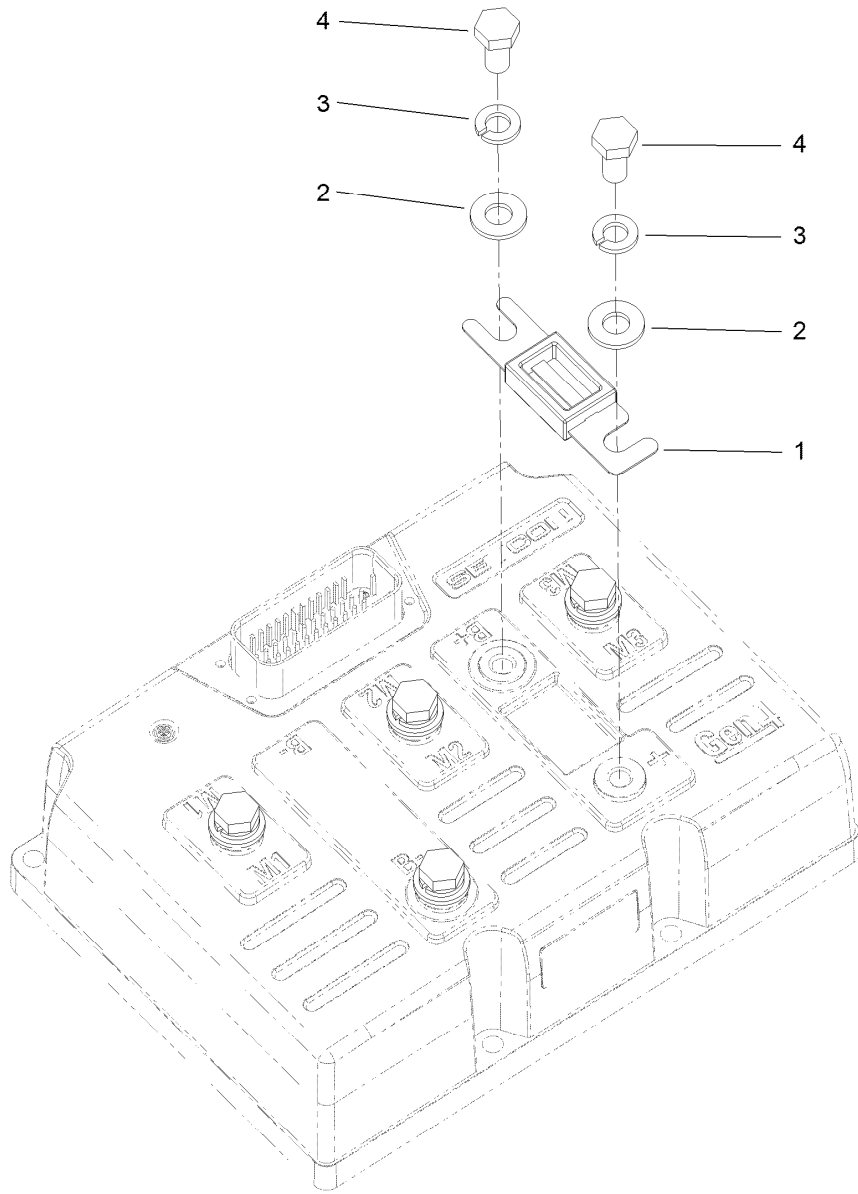


## Controller Assembly (continued)

<i>Ref.</i>	<i>Part Number</i>	<i>Qty.</i>	<i>Description</i>	<i>Ref.</i>	<i>Part Number</i>	<i>Qty.</i>	<i>Description</i>
25:22	121-8882	2	Fuse-Mini Blade, 20 Amp	34	32180-030	3	Clip-Tie
25:23	121-8864	1	Fuse-Mini Blade, 5 Amp	35	131-8527	1	Decal-Mode
25:24	121-8866	1	Fuse-Mini Blade, 10 Amp	36	107-0382	1	Powercord-AC, Europe
25:25	32180-195	2	Cover-Cooper-Bussmann, Cfh (Short)	36	107-0383	1	Powercord-AC, U.K.
25:26	32180-282	1	Resistor-120 Ohm	36	107-0384	1	Powercord-AC
25:27	32180-089	1	Cap-Plug, 3 Way	37	145-2273	1	Decal-Fuse Block 48V
25:28	32180-101	1	Cover-Fuse, Single ●	38	107-0358	1	Horn
26	131-8497	1	Cordset	39	3234-5	1	Screw-HHF
27	131-8499	1	Holder-LED	40	104-8300	1	Nut-HF, NI
28	137-7952	1	Converter-DC-DC	42	3290-378	3	Tie-Cable
29	99-8445	2	Screw-HWH	43	100-4351	2	Screw-HWH
30	109-0023	2	Grommet	44	138-9299	1	Bracket-Fuse Block
31	131-8495	1	Decal-Function, Charger	45	122-2401	1	Relay, 48V Coil, 50A At 48V
32	107-0341	1	Tube-Shrink, Heat	46	32144-1	1	Screw-Taptite
33	32144-86	4	Screw-HWHTF	47	126-4424	2	Screw-Shoulder

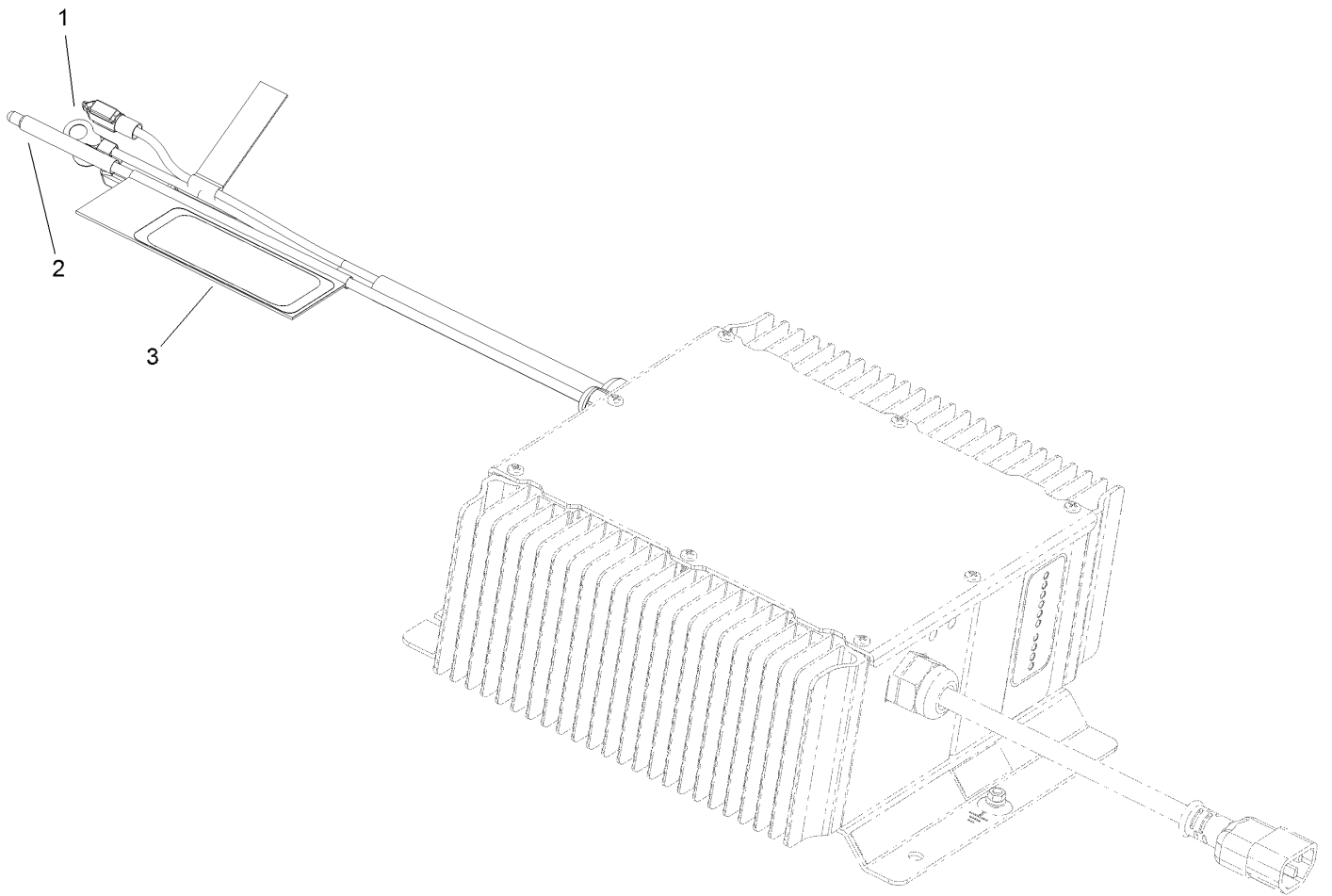
● Not illustrated

■ Not serviced separately



## Sevcon Controller Assembly No. 137-9898

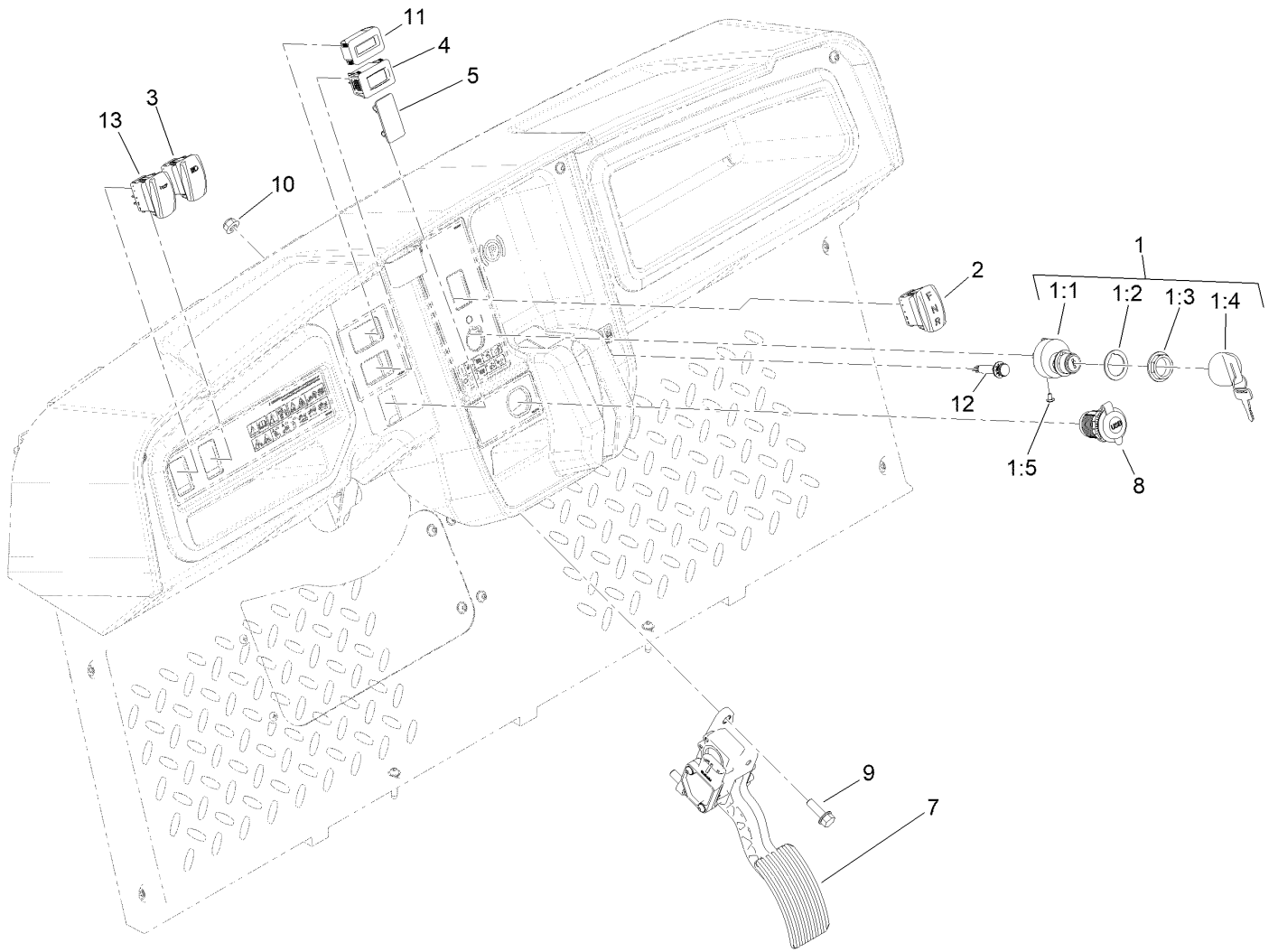
<i>Ref.</i>	<i>Part Number</i>	<i>Qty.</i>	<i>Description</i>
1	131-8494	1	Fuse-425 Amp
2	33094-00	6	Washer-Plain
3	3253-4	6	Washer-Lock
4	33114-016	6	Screw-HH



## Onboard Charger Assembly No. 131-8490

<i>Ref.</i>	<i>Part Number</i>	<i>Qty.</i>	<i>Description</i>
1	131-8511	1	Thermister Repair Kit
2	131-8512	1	Remote LED
3	131-8495	1	Decal-Function, Charger





## Accelerator Pedal and Key Switch Assembly

Ref.	Part Number	Qty.	Description	Ref.	Part Number	Qty.	Description
1	120-4815	1	48V Key Switch ASM	5	99-7420	1	Plug-Hole
1:1		1	Switch-Key ●	7	121-9675	1	Pedal-Accelerator
1:2	108-8659	1	Washer-Backup	8	131-8388	1	Socket-USB
1:3	108-8660	1	Nut-Mounting	9	3234-29	3	Screw-HHF
1:4	106-5270	1	Ignition Key Set	10	104-8300	3	Nut-HF, NI
1:5	3250-28	3	Screw	11	131-8381	1	Gauge-Battery
2	144-2407	1	Switch-Rocker, On-Off-On	12	140-4603	1	Light-Indicator
3	144-2405	1	Switch-Rocker, On-None-On	13	144-2415	1	Switch-Rocker, (On)-None-Off
4	120-2244	1	Hourmeter				

● Not serviced separately

# Attachments and Accessories

## For 07410 Workman GTX Electric Utility Vehicle

<b>Product Name</b>	<b>Model/Part</b>
Workman GTX 2-Person Canopy .....	07921
Steel Cargo Bed Base, Workman GTX Series Utility Vehicle .....	07450
Steel Cargo Bed Solid Sides Kit, Workman GTX Series Utility Vehicle .....	07451
48V Electric Lift Kit.....	07143
Rear Attachment Receiver, Workman GTX Series Utility Vehicle with Steel Cargo Bed .....	07186
Door Mount Mirror Kit.....	136-1997
Brush Guard Kit.....	07145
Front Hitch Kit, Workman GTX Series Utility Vehicles with Brush Guard .....	07146
Small Seat Cover.....	131-6690
Front Hitch Kit, Workman GTX or MDX Series Utility Vehicles without Brush Guard .....	07147
Steel Flat Bed Kit.....	07148
Storage Box Kit.....	07156
Brake and Signal Light Kit.....	132-8579
Walk Spreader Mounting Kit .....	07029
6in L-Track Kit.....	07158
2in L-Track Kit.....	07159
Hose Reel Mounting Kit .....	07027
Aggressive Tire Kit.....	07423
Wide Angle Mirror Kit .....	133-1038
Hand Pump Hose Asm .....	131-8522
Horn Kit.....	133-3017
Beacon Kit .....	130-5484
Reverse Alarm Kit.....	131-8549
Power Point Kit .....	131-8550
Exterior Mirror Kit.....	130-5448
Power Converter Kit.....	133-0959
Trash Can Mounting Kit .....	07028
Bed Rack Kit.....	07031
Cab Kit.....	07142
Mount-Ball .....	133-7116
Road Light and Homologation Kit .....	133-7128
48V 6 Foot Bed Electric Lift Kit.....	07168
Tire-20 8.00-10 .....	116-7333
Cab Mount Kit, Workman GTX Utility Vehicle with Extended Flatbed .....	133-7198
Service Hood ASM .....	133-7209
ROPS Kit .....	07032
Cargo Bed Kit .....	07046
Bench Seat Base Kit.....	07047
Bucket Seat Base Kit.....	07048
Extension Kit.....	07049
Small Bedrack Mount Grip Kit .....	136-6311
Large Bedrack Mount Grip Kit.....	136-6312
Deionizer-Water.....	137-2884
Plate-Skid .....	137-2887-03
Ignition Switch ASM (Key1) .....	138-3505

## Attachments and Accessories (continued)

Ignition Switch ASM (Key2) .....	138-3506
Ignition Switch ASM (Key3) .....	138-3507
Ignition Switch ASM (Key4) .....	138-3508
Ignition Switch ASM (Key5) .....	138-3509
Glove Box Cover Kit .....	137-2883
Fold-Down Rear Facing Seat.....	07123
Lift Kit.....	07414
Tire/Wheel Asm .....	131-8319
Van Box .....	07440
Folding Windshield Kit, Workman GTX Utility Vehicle with Canopy .....	07923
Work Light Kit .....	130-5485
Interior Mirror Kit .....	130-5449
Tire .....	94-5236
Windshield Washer Fluid Kit, 2015 and after Workman MD/HD Series Utility Vehicle .....	130-5615
Wide Angle Mirror Kit .....	133-1009
Bracket-Mount, Radio .....	133-7111-03
Wireless Hourmeter Finish Kit .....	139-4627
GTX Ball Cage ROPS, Certified.....	07161
Canopy W/ ROPS.....	07169
Canopy Mount Kit, Workman GTX Utility Vehicle with Extended Flatbed .....	07199
Full Shelf For Van Box .....	07441



**Count on it.**