



## 48in Side Discharge Mower

### 5xi Garden Tractors

Model No. 78363–220000001 and Up

Model No. 78364–220000001 and Up

## Parts Catalog

### Ordering Replacement Parts

To order replacement parts, please supply: the part number, the quantity, and the description of each part desired.

### Understanding Reference Numbers

Each identified part in an illustration has a reference number. The reference number for a part also appears in the parts list, along with other information about the part.

This catalog uses two special reference number formats, one to indicate parts in a service assembly and another to indicate the quantity of a given part in an illustration.

### Service Assembly Reference Numbers

Parts in service assemblies have reference numbers in the form **a:b**. The **a** represents the reference number of the entire service assembly and the **b** represents a sequential number unique to each part within the service assembly.

For example, a wheel assembly might be identified by reference number **6**, the tire by **6:1**, the valve by **6:2**, and the wheel by **6:3**. When you order the assembly identified by reference number **6**, you receive all parts identified by reference numbers **6:1**, **6:2**, and **6:3**. However, you may also order any part individually.

Reference numbers of this type appear in illustrations and in part lists.

### Reference Numbers Indicating Quantity

In an illustration, if a reference number indicates more than one part, the reference number has the form **nX y**. The **n** represents the quantity of the part, the **X** is the multiplication symbol, and the **y** represents the reference number.

For example, in an illustration, the reference number **2X 37** means that two of the parts identified by reference number **37** are indicated.

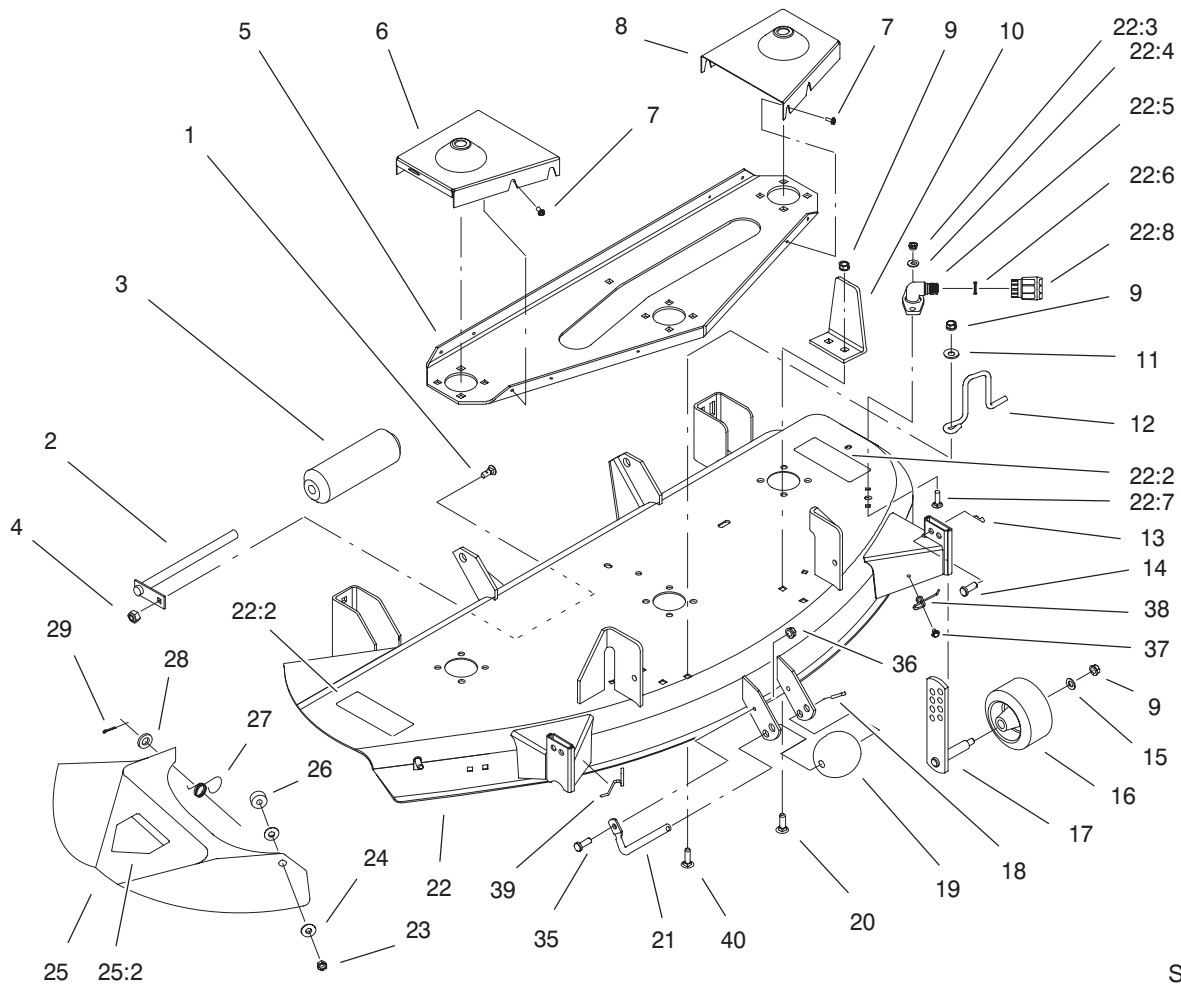
## Contents

<b>Description</b>	<b>Page</b>	<b>Description</b>	<b>Page</b>
Reinforcement Plate Assembly .....	3	Pulley Box Assembly .....	6
Spindle and Blade Assembly .....	4	Baffle Assembly .....	7
Deck Suspension Assembly .....	5	Decal Assembly .....	8

## Part Description Abbreviations

Part descriptions in this catalog may include the following abbreviations.

<b>Abbreviation</b>	<b>Meaning</b>	<b>Abbreviation</b>	<b>Meaning</b>
AR .....	as required	HYD .....	hydraulic
ASM .....	assembly	INC .....	incorporated
CARR .....	carriage	LH .....	left hand
DEG .....	degrees	NI .....	nylon insert
FH .....	flat head	PPH .....	Phillips pan head
GA .....	gauge	PTH .....	Phillips truss head
HF .....	hex flange	PTO .....	power take off
HH .....	hex head	RH .....	right hand
HHF .....	hex head flange	SFH .....	slotted fillister head
HLH .....	hex lag head	SHH .....	slotted hex head
HJ .....	hex jam	SQH .....	square head
HOC .....	height-of-cut	SHWH .....	slotted hex washer head
HS .....	hex socket	SPH .....	slotted pan head
HSBH .....	hex socket button head	SRH .....	slotted round head
HSFH .....	hex socket flat head	STD .....	standard
HSH .....	hex socket head	TAP .....	self tapping
HWH .....	hex washer head	TTH .....	Torx truss head
HWHTF .....	hex washer head thread forming	WH .....	wing head

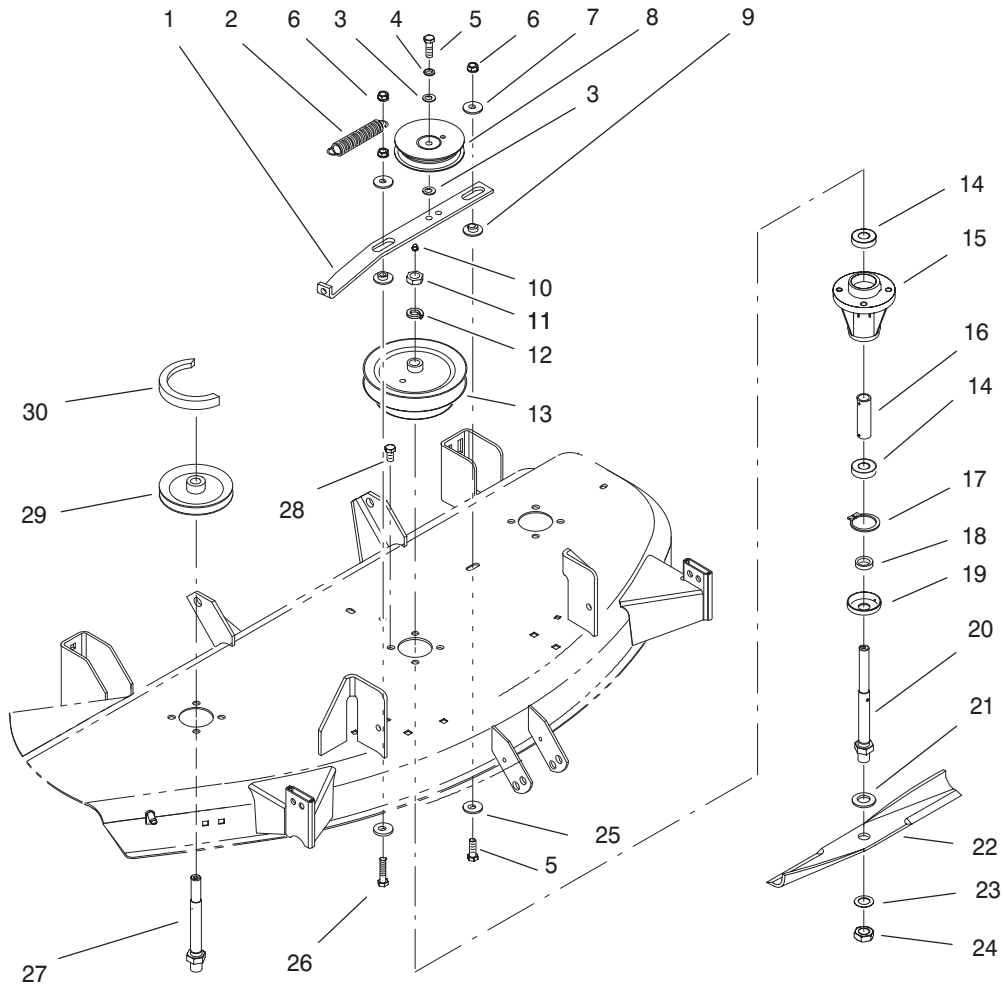


Sheet No.:2

## Reinforcement Plate Assembly

Ref. No.	Part No.	Qty.	Description
1	3230-1	1	Screw-CARR
2	113603	1	Roller-Shaft
3	113349	1	Roller-Anti Scalp
4	3296-29	1	Nut-Lock, NI
5	95-3879-01	1	Plate-Reinforce
6	95-3949-01	1	Cover-Belt, RH
7	46-8560	8	Screw-HHF
8	95-3950-01	1	Cover-Belt, LH
9	3296-39	7	Nut-Lock, NI
10	94-7642-01	2	Bracket-Guide
11	3256-41	1	Washer-Flat
12	95-3953	1	Guide-Belt
13	9335054	2	Pin-Hair
14	283-2	2	Pin-Clevis
15	3256-24	2	Washer-Flat
16	68-2730	2	Wheel-Gage
17	68-2350	2	Gage-Wheel
18	3272-21	1	Pin-Cotter
19	29-4820	1	Roller
20	3231-25	4	Screw-CARR
21	118960-03	1	Shaft-Roller
22	99-8082	1	Deck ASM
22:2	92-7108	2	Decal-Danger
22:3	3296-16	2	Nut-Lock, NI
22:4	3256-1	2	Washer-Flat
22:5	95-2747	1	Fitting-Washout

Ref. No.	Part No.	Qty.	Description
22:6	46-6290	1	O-Ring
22:7	3229-1	2	Screw-CARR
22:8	95-3270	1	Connector-Hose
23	9152366	1	Nut-HJ
24	93-1633	2	Washer
25	99-3708	1	Chute ASM
25:2	93-1122	1	Decal-Danger
26	116080	1	Bushing-Pivot
27	93-1630	1	Spring - Deflector
28	3256-26	1	Washer-Flat
29	3272-10	1	Pin-Cotter
35	321-4	1	Screw-HH
36	3296-42	1	Nut-Lock, NI
37	46-8560	2	Screw-HHF
38	98-5032	1	Spring-Gage Wheel, LH
39	98-5033	1	Spring-Gage Wheel, RH
40	3231-22	1	Screw-CARR

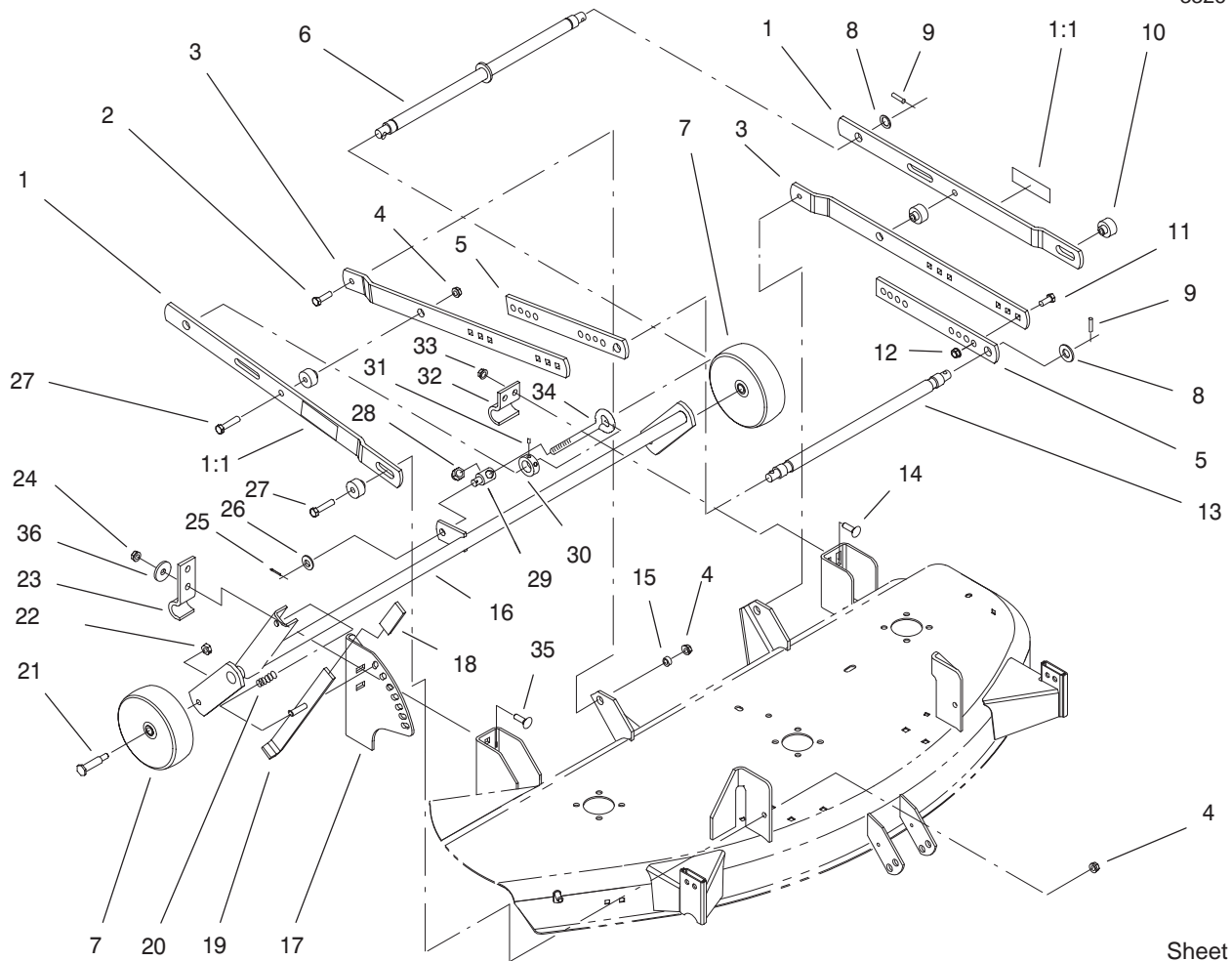


Sheet No.:3

## Spindle and Blade Assembly

Ref. No.	Part No.	Qty.	Description
1	95-3876	1	Bar-Idler Support
2	100071	1	Spring-Extension
3	3256-24	2	Washer-Flat
4	3253-21	1	Washer-Lock
5	323-7	2	Screw-HH
6	3296-39	3	Nut-Lock, NI
7	107675	2	Washer
8	93-1622	1	Pulley-Idler
9	107674	2	Spacer-Bushing
10	302-5	3	Fitting-Grease
11	3220-6	3	Nut-Jam
12	3253-8	3	Washer-Lock
13	95-3958	1	Pulley-Double
14	109966	6	Bearing-Ball
15	114568	3	Housing-Spindle
16	116085	3	Tube
17	32120-42	3	Ring-Retaining
18	106068	3	Spacer-Blade
19	106067	3	Cup-Spindle
20	78-6710	1	Shaft-Spindle
21	3256-28	3	Washer-Flat
22	94-9719	3	Blade (only on: 78364)
22	106078	3	Blade (only on: 78363)
23	9202574	3	Washer-Flat

Ref. No.	Part No.	Qty.	Description
24	3220-7	3	Nut-Jam
25	52-2861	2	Washer
26	323-9	1	Screw-HH
27	112674	2	Shaft-Spindle
28	9080326	12	Screw-HH
29	110146	2	Pulley-Blade, Drive
30	95-3878	1	V-Belt



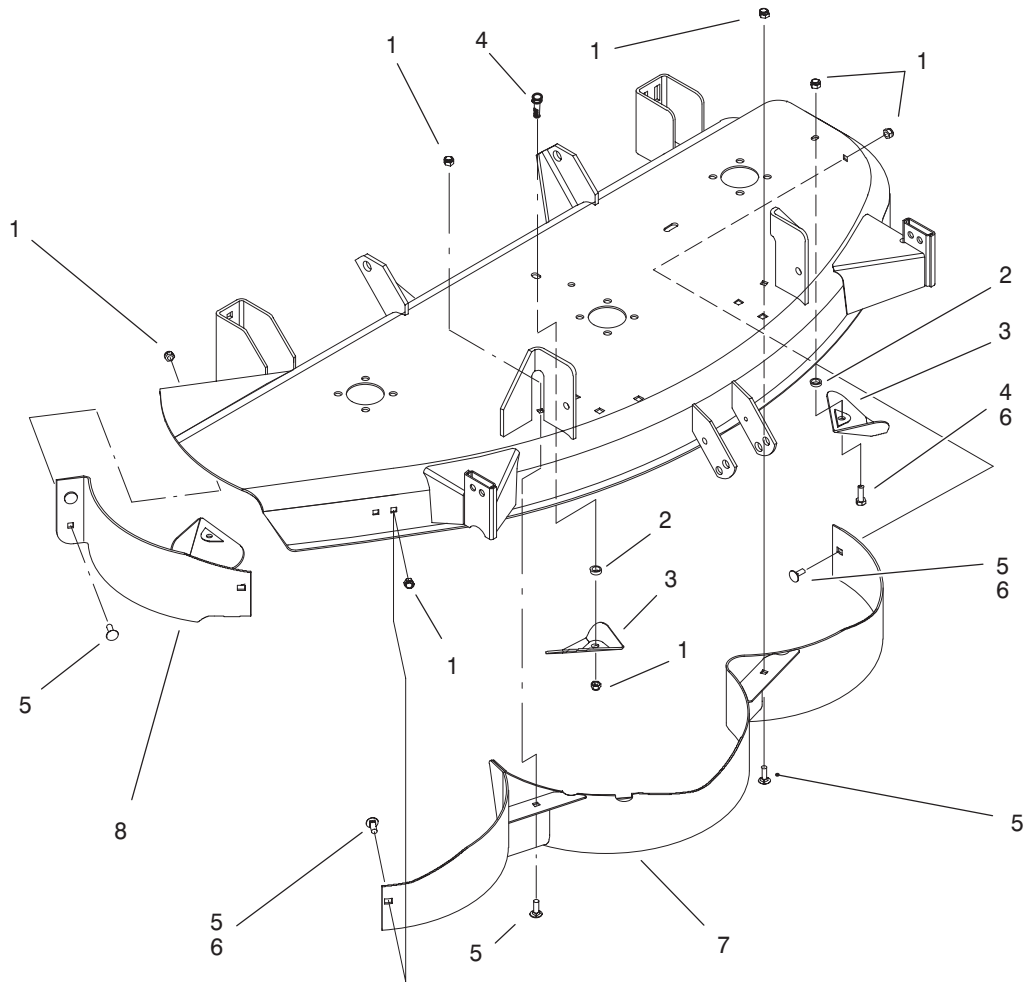
Sheet No.:4

## Deck Suspension Assembly

Ref. No.	Part No.	Qty.	Description
1	98-5043	1	RH Leveler ASM
1	98-5041	1	LH Leveler ASM
1	94-2412-03	2	Bar-Leveler
1:1	98-3478	1	Decal-Warning
2	323-7	2	Screw-HH
3	94-7801-03	2	Draftbar
4	102809	6	Locknut-Flange
5	94-7804-03	2	Draftbar-Adjustment
6	94-7943-03	1	Shaft-Leveler
7	95-4102	2	Wheel
8	3256-69	4	Washer-Flat
9	933216	4	Pin-Roll, Spirol
10	115706	4	Spacer
11	3231-38	4	Screw-CARR
12	32152-2	4	Nut-Conelock
13	94-2130-03	1	Shaft-Draft Bar
14	3231-2	2	Screw-CARR
15	114127	2	Spacer
16	95-3875-01	1	Support-Wheel
17	94-7544-01	1	Quad-Deck
18	102597	1	Grip
19	94-7965-01	1	Lever-HOC
20	101853	1	Spring-Compression
21	92-1057	2	Bolt-Shoulder
22	32146-2	2	Nut-Lock, NI
23	110837-03	1	Bracket-Pivot

Ref. No.	Part No.	Qty.	Description
24	3296-39	2	Nut-Lock, NI
25	3272-12	1	Pin-Cotter
26	3256-26	1	Washer-Flat
27	323-9	4	Screw-HH
28	3296-23	1	Nut-Lock, NI
29	94-7802	1	Trunnion
30	94-7953	1	Collar
31	3245-2	2	Screw-Set, HSH
32	94-7543-03	1	Clamp
33	32128-40	2	Nut-Flange
34	94-7954	1	Rod-Adjustment, Level
35	3231-4	2	Screw-CARR
36	98-3479	1	Washer-Support



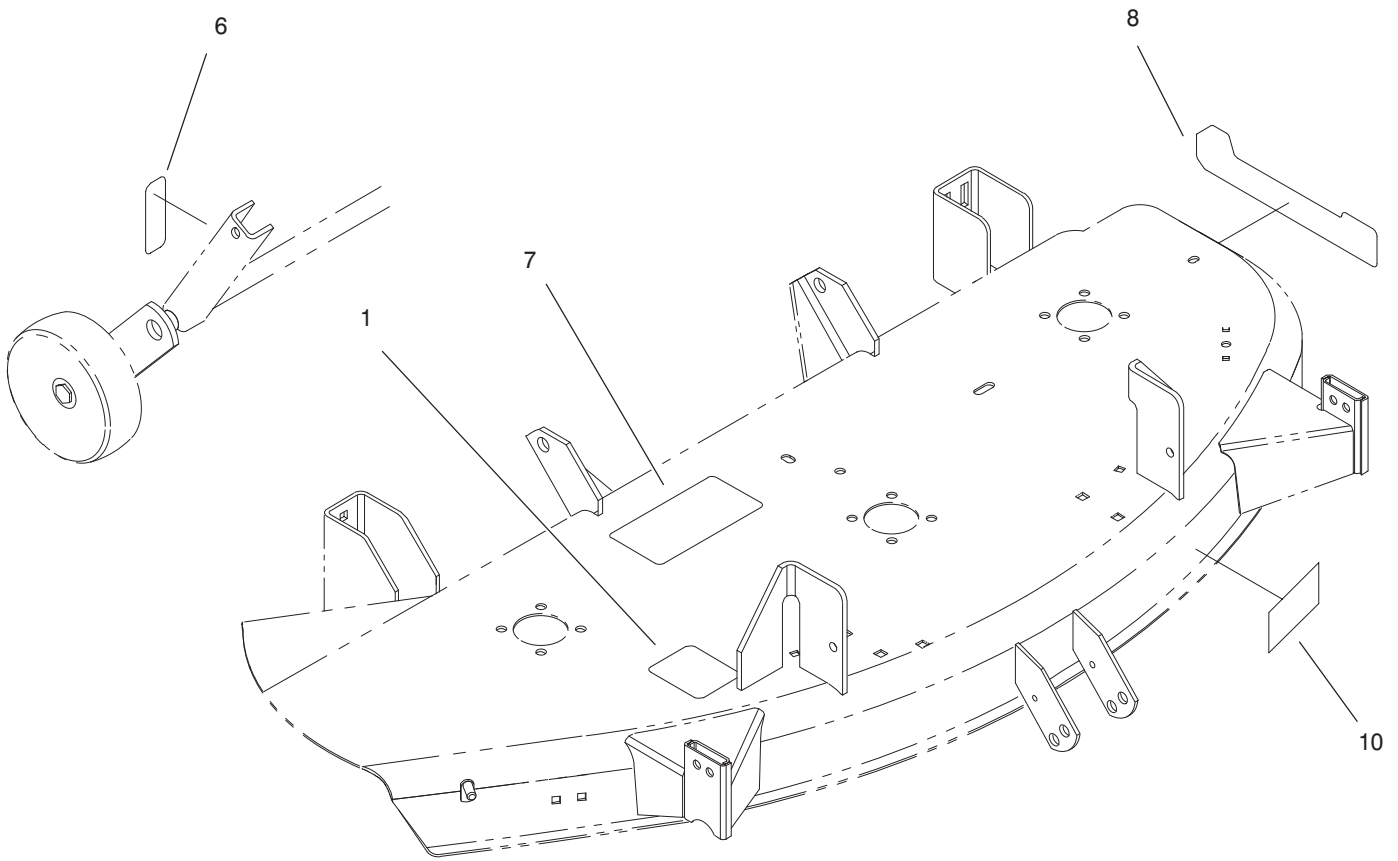


Sheet No.:6

## Baffle Assembly

Ref. No.	Part No.	Qty.	Description
1	3296-29	8	Nut-Lock, NI (only on: 78364)
1	3296-29	4	Nut-Lock, NI (only on: 78363)
2	59-4310	2	Spacer (only on: 78364)
3	84-5760	2	Plate-Kicker (only on: 78364)
4	322-5	2	Screw-HH (only on: 78364)
5	3230-1	6	Screw-CARR (only on: 78364)
6	3230-18	4	Screw-CARR (only on: 78363)
7	94-9710-03	1	Baffle-Front (only on: 78364)
8	94-9708-03	1	Baffle-Discharge (only on: 78364)

Ref. No.	Part No.	Qty.	Description



Sheet No.:7

## Decal Assembly

Ref. No.	Part No.	Qty.	Description
1	98-3481	1	Decal-Belt Routing
6	111655	1	Decal-HOC
7	98-3480	1	Decal-Belt Routing
8	94-9761	1	Decal-Recycler (only on: 78364)
10	93-7282	1	Decal-Wheel Adjustment

Ref. No.	Part No.	Qty.	Description







