



**Dingo<sup>®</sup> 220**

**Dingo<sup>®</sup> Compact Utility Loader**

Model No. 22311—210000001 and Up

**Operator's Manual**



## Warning



**The engine exhaust from this product contains chemicals known to the State of California to cause cancer, birth defects, or other reproductive harm.**

**Important** Because in some areas there are local, state, or federal regulations requiring that a spark-arrester be used on engines, a spark-arrester is available as an option for the traction unit. If a spark-arrester is required, contact your Toro dealer. Genuine Toro approved spark-arresters are approved by the USDA Forestry Service. It is a violation of the State of California PRC Section 4442 to use or operate the engine on any forest-covered, brush-covered, or grass-covered land, unless the engine is equipped with a spark-arrester, maintained in working order, or the engine is constricted, equipped, and maintained for the prevention of fire.

This spark ignition system complies with Canadian ICES-002.

Ce système d'allumage par étincelle de véhicule est conforme à la norme NMB-002 du Canada.

**The enclosed Engine Owner's Manual is supplied for information regarding The U.S. Environmental Protection Agency (EPA) and the California Emission Control Regulation of emission systems, maintenance and warranty.**

**Keep this engine Owner's Manual with your unit. Should this engine Owner's Manual become damaged or illegible, replace immediately. Replacements may be ordered through the engine manufacturer.**

# Contents

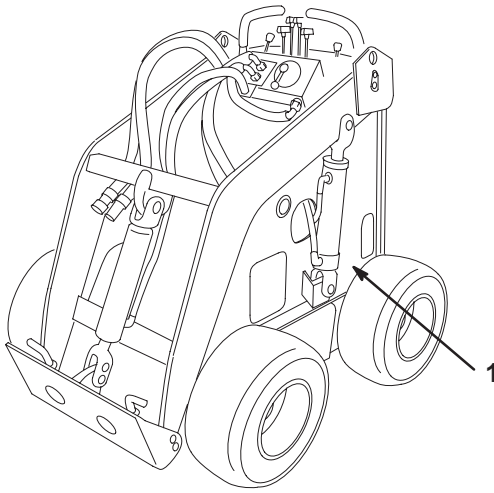
	Page
Introduction .....	2
Safety .....	3
Safe Operating Practices .....	3
Slope Chart .....	6
Safety and Instruction Decals .....	7
Assembly .....	8
Loose Parts .....	8
Installing the Valve Lever .....	8
Activating the Battery .....	9
Specifications .....	10
Attachments .....	10
Stability Data .....	11
Before Operating .....	11
Adding Fuel .....	12
Using Stabilizer/Conditioner .....	12

	Page
Checking the Oil Level .....	12
Removing Debris from the Traction Unit .....	13
Checking the Hydraulic Fluid .....	13
Tire pressure .....	13
Operation .....	14
Traction Unit Overview .....	14
Controls .....	15
Starting and Stopping the Engine .....	16
Driving Forward or Backward .....	17
Stopping the Traction Unit .....	17
Moving a Non-functioning Traction Unit .....	17
Using the Cylinder Locks .....	17
Installing and Removing Attachments .....	18
Securing the Traction Unit for Transport .....	20
Maintenance .....	20
Recommended Maintenance Schedule .....	20
Greasing the Traction Unit .....	21
Servicing the Air Cleaner .....	22
Servicing the Traction Drive Chains .....	23
Servicing the Engine Oil .....	24
Servicing the Battery .....	25
Servicing the Spark Plugs .....	26
Servicing the Hydraulic System .....	27
Replacing the Fuel Filter .....	28
Draining the Fuel Tank .....	28
Cleaning and Storage .....	29
Troubleshooting .....	29
The Toro Dingo Product Line Warranty .....	32

# Introduction

Read this manual carefully to learn how to operate and maintain your product properly. The information in this manual can help you and others avoid injury and product damage. Although Toro designs and produces safe products, you are responsible for operating the product properly and safely.

Whenever you need service, genuine Toro parts, or additional information, contact an Authorized Service Dealer or Toro Customer Service and have the model and serial numbers of your product ready. Figure 1 illustrates the location of the model and serial numbers on the product.



m-5098

**Figure 1**

1. Model and serial number plate

Write the product model and serial numbers in the space below:

<p><b>Model No.</b> _____</p> <p><b>Serial No.</b> _____</p>
--

This manual identifies potential hazards and has special safety messages that help you and others avoid personal injury and even death. **Danger**, **Warning**, and **Caution** are signal words used to identify the level of hazard. However, regardless of the hazard, be extremely careful.

**Danger** signals an extreme hazard that *will* cause serious injury or death if you do not follow the recommended precautions.

**Warning** signals a hazard that *may* cause serious injury or death if you do not follow the recommended precautions.

**Caution** signals a hazard that may cause minor or moderate injury if you do not follow the recommended precautions.

This manual uses two other words to highlight information. **Important** calls attention to special mechanical information and **Note**: emphasizes general information worthy of special attention.

## Safety

**Improper use or maintenance by the operator or owner can result in injury. To reduce the potential for injury, comply with these safety instructions and always pay attention to the safety alert symbol, which means**

**CAUTION, WARNING, or DANGER**—“personal safety instruction.” Failure to comply with the instruction may result in personal injury or death.

## Safe Operating Practices

This product is capable of amputating hands and feet. Always follow all safety instructions to avoid serious injury or death.

<b>Warning</b>
<p><b>Engine exhaust contains carbon monoxide, an odorless, deadly poison that can kill you.</b></p> <p><b>Do not run the engine indoors or in an enclosed area.</b></p>

## General Operation

- Read, understand, and follow all instructions in the operator’s manual, in the video, and on the traction unit before starting. Also, read all attachment manuals where supplied
- Allow only responsible adults who are familiar with the instructions to operate the traction unit.
- Wear long pants and substantial shoes. Wearing safety glasses, safety shoes, hearing protection, and a hard hat are advisable and may be required by some local ordinances and insurance regulations.
- Ensure that the area is clear of other people before operating the traction unit. Stop the traction unit if anyone enters the area.
- Never carry passengers on attachments or on the traction unit.
- Always look down and behind before and while backing.
- Do not place your feet under the platform.
- Slow down before turning. Sharp turns on any terrain may cause loss of control.
- Never leave a running traction unit unattended. Always lower the loader arms, stop the engine, and remove the key before dismounting.
- Do not exceed the rated operating capacity, as the traction unit may become unstable which may result in loss of control.
- Do not carry a load with the arms raised. Always carry loads close to the ground. Do not step off of the platform with the load raised.

- Do not over-load the attachment and always keep the load level when raising the loader arms. Logs, boards, and other items could roll down the loader arms, injuring you.
- Never jerk the control levers; use a steady motion.
- Keep your hands, feet, hair, and loose clothing away from any moving parts.
- Operate only in daylight or good artificial light.
- Do not operate the traction unit while under the influence of alcohol or drugs.
- Watch for traffic when operating near or crossing roadways.
- Use extra care when loading or unloading the traction unit onto a trailer or truck.
- Do not touch parts which may be hot from operation. Allow them to cool before attempting to maintain, adjust, or service.
- Do not operate the traction unit with any of the covers or guards removed.
- Check for overhead clearances (i.e. branches, doorways, electrical wires) before driving under any objects and do not contact them.
- Before digging, have the area marked for underground utilities, and do not dig in marked areas.
- Raising the loader arms on a slope will affect the stability of the machine. Whenever possible, keep the loader arms in the lowered position when on slopes.
- Removing an attachment on a slope will make the rear of the traction unit heavy. Refer to the Stability Data section, page 11, to determine whether the attachment can be safely removed on the slope.
- Remove obstacles such as rocks, tree limbs, etc. from the work area. Watch for holes, ruts, or bumps, as uneven terrain could overturn the traction unit. Tall grass can hide obstacles.
- Use slow speed on slopes. Before starting the engine, put the pump selector lever in the slow (turtle) position so that you will not have to stop or shift while on the slope.
- Follow the recommendations in the attachment manuals for the use of counterweights to improve stability.
- Use only Toro approved attachments. Attachments can change the stability and the operating characteristics of the traction unit. Warranty may be voided if used with unapproved attachments.
- Keep all movements on slopes slow and gradual. Do not make sudden changes in speed or direction.
- Avoid starting or stopping on a slope. If tires lose traction, proceed slowly, straight down the slope.
- Avoid turning on slopes. If you must turn, turn slowly and keep the heavy end of the traction unit uphill.
- Do not operate near drop-offs, ditches, or embankments. The traction unit could suddenly turn over if a wheel goes over the edge of a cliff or ditch, or if an edge caves in.
- Do not operate on wet grass. Reduced traction could cause sliding.
- Do not park the traction unit on a hillside or slope without lowering the attachment to the ground and chocking the wheels.
- Do not try to stabilize the traction unit by putting your foot on the ground.

## Slope Operation

Slopes are a major factor related to loss-of-control and tip-over accidents which can result in severe injury or death. All slopes require extra caution.

- Do not operate the traction unit on hillsides or slopes exceeding the angles recommended in the Stability Data section, page 11, and those in the attachment operator's manual. See also the slope chart on page 6.
- **Operate up and down slopes with the heavy end of the traction unit uphill.** Weight distribution changes. An empty bucket will make the rear of the traction unit the heavy end, and a full bucket will make the front of the traction unit the heavy end. Most other attachments will make the front of traction unit the heavy end.

## Children

Tragic accidents can occur if the operator is not alert to the presence of children. Children are often attracted to the traction unit and the work activity. Never assume that children will remain where you last saw them.

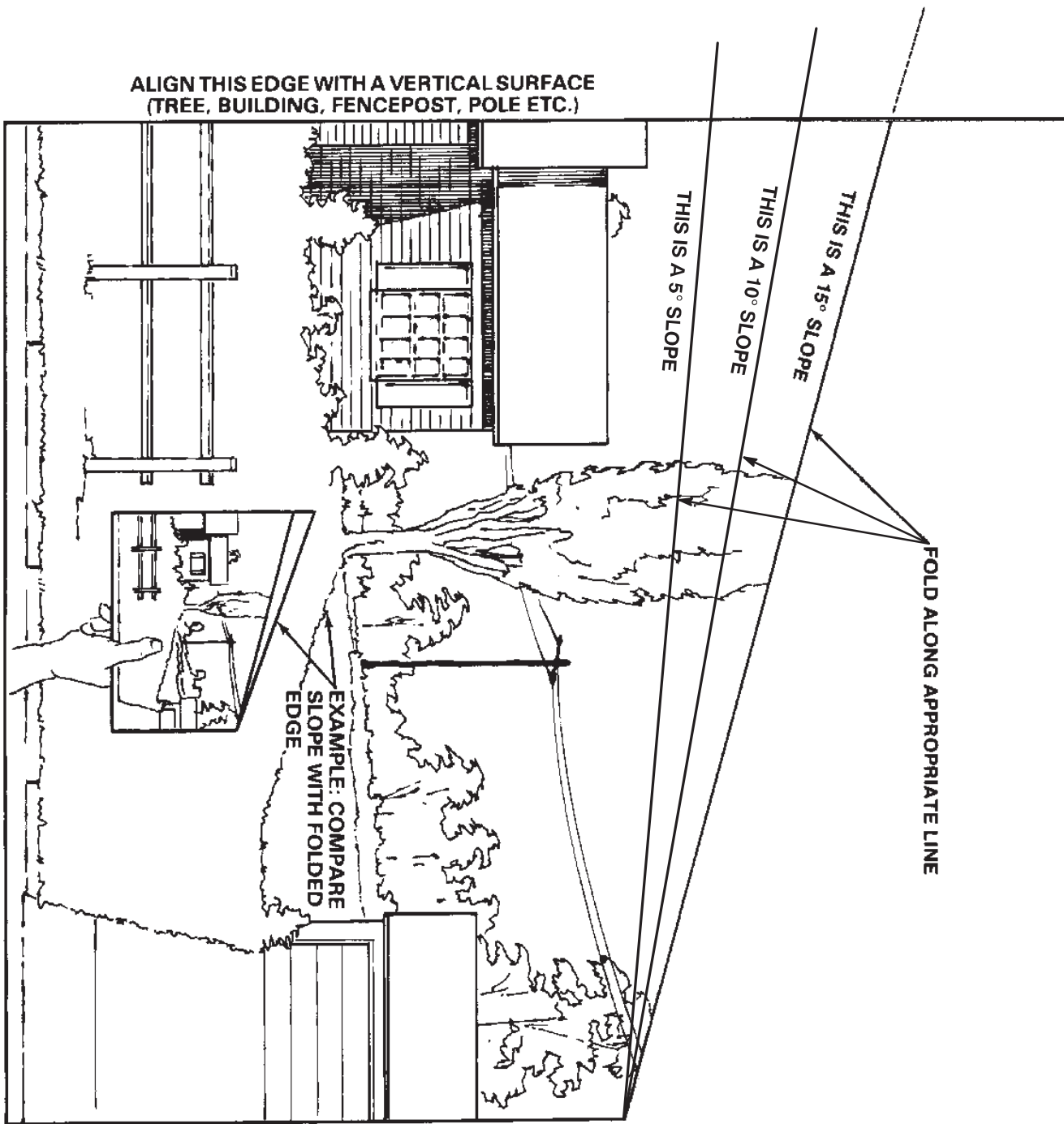
- Keep children out of the work area and under the watchful care of another responsible adult.
- Be alert and turn the traction unit off if children enter the area.

- Before and while backing, look behind and down for small children.
- Never carry children. They may fall off and be seriously injured or interfere with safe traction unit operation.
- Never allow children to operate the traction unit.
- Use extra care when approaching blind corners, shrubs, trees, the end of a fence, or other objects that may obscure vision.
- Battery gases can explode. Keep cigarettes, sparks and flames away from the battery.
- Keep your body and hands away from pin hole leaks or nozzles that eject high pressure hydraulic fluid. Use cardboard or paper to find hydraulic leaks. Hydraulic fluid escaping under pressure can penetrate skin and cause injury requiring surgery within a few hours by a qualified surgeon or gangrene may result.

## Service

- Stop the engine and disconnect the spark plug wires before performing any service, repairs, maintenance, or adjustments.
- If any maintenance or repair requires the loader arms to be in the raised position, secure the arms in the raised position with the hydraulic cylinder locks included with traction unit.
- Never run a traction unit inside a closed area.
- Keep nuts and bolts tight. Keep equipment in good condition.
- Never tamper with safety devices. Check safety systems for proper operation before each use.
- Keep the traction unit free of grass, leaves, or other debris build-up. Clean up oil or fuel spillage. Allow the traction unit to cool before storing.
- Use extra care when handling gasoline and other fuels. They are flammable and vapors are explosive.
  - Use only an approved container.
  - Never remove the gas cap or add fuel when the engine is running. Allow the engine to cool before refueling. Do not smoke.
  - Never refuel the traction unit indoors.
  - Never store the traction unit or fuel container inside where there is an open flame, such as near a water heater or furnace.
  - Never fill a container while it is inside a vehicle, trunk, pick-up bed, or any surface other than the ground.
  - Keep container nozzle in contact with the tank during filling.
- Stop and inspect the equipment if you strike an object. Make any necessary repairs before restarting.
- Use only genuine replacement parts to ensure that original standards are maintained.
- Battery acid is poisonous and can cause burns. Avoid contact with skin, eyes, and clothing. Protect your face, eyes, and clothing when working with a battery.

# Slope Chart



# Safety and Instruction Decals



Safety decals and instructions are easily visible to the operator and are located near any area of potential danger. Replace any decal that is damaged or lost.

**⚠ DANGER** TO MINIMIZE THE RISK OF ACCIDENTS, INJURY, OR DEATH:

- OPERATOR MUST BE SKILLED AND TRAINED IN OPERATION.
- NEVER USE WHEN UNDER THE INFLUENCE OF ALCOHOL OR DRUGS.
- USE SAFELY, MACHINE IS NOT A TOY.
- STOP ENGINE AND REMOVE KEY BEFORE LEAVING MACHINE. WAIT FOR ALL MOVEMENT TO STOP BEFORE SERVICING.
- USE CYLINDER LOCKS IF SERVICING WHILE LIFT ARMS ARE RAISED.
- KEEP GUARDS, COVERS AND OTHER SAFETY DEVICES IN PLACE.
- WEAR CLOSE FITTING PROTECTIVE CLOTHING AND SHOES.
- KEEP HANDS, FEET AND CLOTHING AWAY FROM ALL MOVING PARTS.
- NEVER SMOKE WHILE FUELING. STOP ENGINE BEFORE FUELING.
- NEVER RUN ENGINE WITHOUT ADEQUATE VENTILATION.
- KEEP CHILDREN AND OTHER PEOPLE A SAFE DISTANCE AWAY.
- NEVER LET CHILDREN OPERATE THE MACHINE.
- NEVER CARRY CHILDREN OR OTHER PASSENGERS.
- LOOK DOWN AND BEHIND BEFORE AND WHILE BACKING UP.
- GO SLOW AND AVOID SHARP TURNS ON SLOPES.
- ALWAYS PLACE IMPLEMENT ON GROUND WHEN LEAVING MACHINE. USE WHEEL CHOCKS WHEN PARKING ON A SLOPE.
- FIRMLY HOLD THE GRAB HANDLES WHEN OPERATING. NEVER PLACE FEET UNDER THE PLATFORM.
- KNOW THE WORK AREA. CHECK FOR HOLES AND OVERHEAD CLEARANCES. AVOID OVERHEAD POWER LINES.
- KNOW LOCATION OF UNDERGROUND UTILITIES BEFORE YOU DIG.

98-9051

98-9051

**⚠ DANGER**

TO MINIMIZE THE RISK OF ACCIDENTS:

- ALWAYS OPERATE WITH HEAVY END POINTED UP HILL.
- ALWAYS CARRY LOADS LOW.
- NEVER STEP OFF OPERATOR PLATFORM WITH LOAD RAISED.
- NEVER JERK THE CONTROL LEVERS. USE A STEADY, EVEN MOTION.
- NEVER OPERATE THE CONTROL LEVERS UNLESS YOU ARE STANDING WITH BOTH FEET ON THE PLATFORM AND FIRMLY HOLDING THE GRIP HANDLES.

DOWN  
ARM LIFT  
UP

FORWARD  
WHEEL DRIVE  
REVERSE

DOWN  
BUCKET TILT  
UP

START  
RUN  
STOP

READ OPERATOR'S MANUAL  
REPLACEMENT MANUAL AVAILABLE BY SENDING  
COMPLETE MODEL NUMBER TO: THE TORO COMPANY,  
8111 LYNDAL AVE. S., BLOOMINGTON, MN 55420-1196

99-1385

99-1385

**⚠ CAUTION** SECURE QUICK ATTACH BEFORE OPERATING MACHINE.  
RATED OPERATING CAPACITY 515 LBS.

98-4682

98-4682

**HYDRAULIC OIL:**  
USE SAE 10W30 ENGINE OIL  
API SERVICE SH, SJ OR HIGHER.

105-6236

105-6236

**SPEED LIMITER**

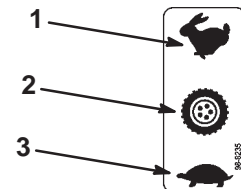
98-8220

98-8220

**⚠ WARNING**  
PINCH AREA, KEEP CLEAR

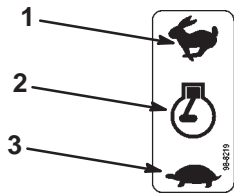
100-6141

100-6141



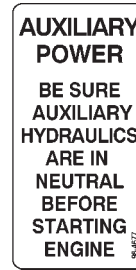
98-8235

1. Fast
2. Traction drive
3. Slow

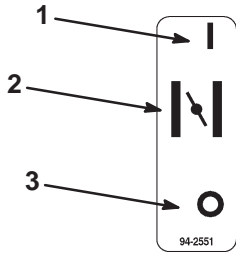


98-8219

- 1. Fast
- 2. Throttle
- 3. Slow



98-4677



94-2551

- 1. On
- 2. Choke
- 3. Off

## Assembly

**Note:** Determine the left and right side of the machine from the normal operating position.

### Loose Parts

**Note:** Use the chart below to verify that all parts have been shipped.

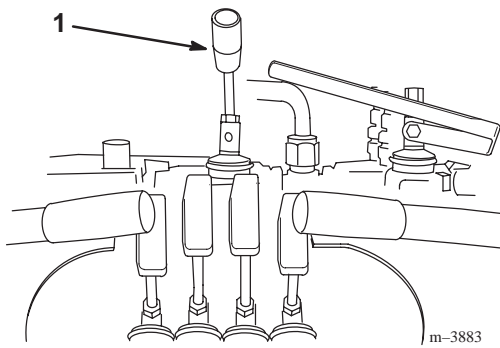
DESCRIPTION	QTY.	USE
Valve Lever	1	Install valve lever
Key	2	Start engine
Hydraulic oil filter	1	Break-in oil change
Chain link	2	Spare parts

### Installing the Valve Lever

1. Thread the lever into the speed selector valve (Fig. 2).

**Note:** The lever should be installed with the bend toward the operator.

2. Tighten the jam nut on the lever to lock it in position.



**Figure 2**

1. Speed selector lever

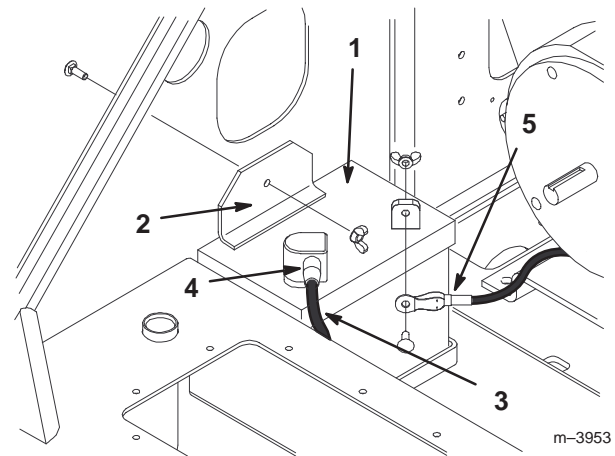
## Activating the Battery

⚠
Warning
⚠

**Battery posts, terminals, and related accessories contain lead and lead compounds, chemicals known to the State of California to cause cancer and reproductive harm. Wash hands after handling.**

The factory ships the traction unit with a dry battery. Purchase bulk electrolyte with 1.260 specific gravity from a local battery supply outlet.

1. Remove the wing nut and bolt securing the battery clamp and strip (under the clamp) and remove the clamp and strip (Fig. 3).



**Figure 3**

1. Battery
2. Battery clamp
3. Positive cable
4. Rubber cover
5. Negative cable

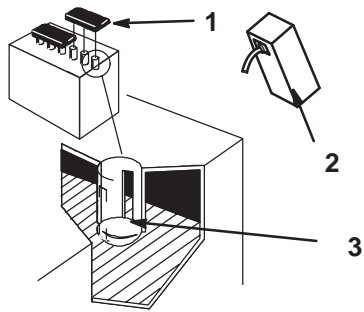
2. Gently push the hydraulic hoses aside and lift the battery out of the chassis.

⚠
Danger
⚠

**Battery electrolyte contains sulfuric acid which is a deadly poison and causes severe burns.**

- **Do not drink electrolyte and avoid contact with skin, eyes or clothing. Wear safety glasses to shield your eyes and rubber gloves to protect your hands.**
- **Fill the battery where clean water is always available for flushing the skin.**

3. Remove filler caps from the battery.
4. Slowly pour electrolyte into each cell until the electrolyte level is up to the lower part of the tube (Fig. 4).

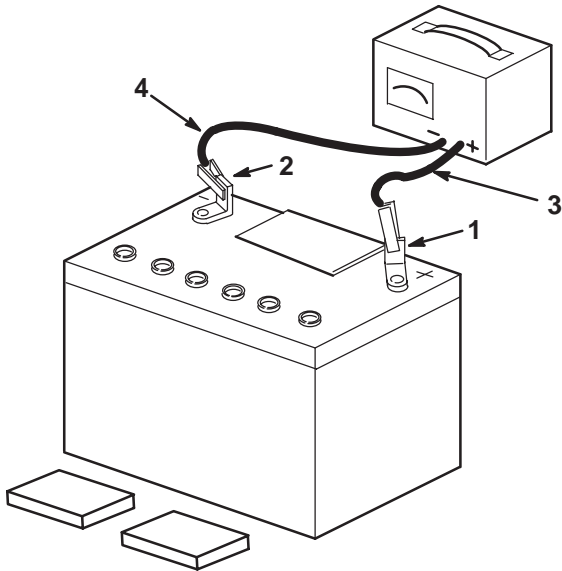


1262

**Figure 4**

1. Filler caps
2. Electrolyte
3. Lower part of the tube

5. Leave the covers off and connect a 3 to 4 amp battery charger to the battery posts (Fig. 5).
6. Charge the battery at a rate of 4 amperes or less for 4 hours (12 volts).



1254

**Figure 5**

1. Positive post
2. Negative post
3. Charger red (+) wire
4. Charger black (-) wire

7. When the battery is fully charged, disconnect the charger from the electrical outlet and from the negative and positive battery posts (Fig. 5).
8. Slowly pour electrolyte into each cell until the level is once again up to the upper line on the battery case (Fig. 4) and install covers.
9. Install the battery into the chassis (Fig. 3).
10. Secure the battery in the chassis with the battery clamp, strip, and wing nut (Fig. 3).
11. Using the bolt and wing nut supplied with the battery, connect the positive (red) cable to the positive (+) battery post (Fig. 3). Slide the rubber cover over the battery post.
12. Using the bolt and wing nut supplied with the battery, connect the negative (black) cable to the negative (-) battery post (Fig. 3).

**Note:** Ensure that the battery cables do not contact any sharp edges or each other.

## Specifications

Overall width	40.5 inches (103 cm)
Overall length	60.0 inches (152 cm)
Overall height	49.0 inches (125 cm)
Weight	1565 lbs (710 kg)
Rated operating capacity (with 200 lb operator and std. bucket)	515 lbs (234 kg)
Tipping capacity (with 200 lb operator and st. bucket)	1030lbs (467kg)
Wheelbase	28 inches (71 cm)
Dump height (with std. bucket)	47 inches (120 cm)
Reach—fully raised (with std. bucket)	26.0 inches (66 cm)
Height to hinge pin (std bucket in highest position)	66.0 inches (168 cm)
Engine	Kohler Command Pro, 20 HP, V-Twin

Specifications and design are subject to change without notice.

**Warning**

**Charging the battery produces gasses that can explode.**

**Never smoke near the battery and keep sparks and flames away from battery.**

# Attachments




Many attachments are available for use with the traction unit. These attachments allow you to perform many different functions with the traction unit such as hauling

materials, digging holes, grading, and more. Contact your Toro dealer for a list of all approved attachments and accessories.

**Important** Use only Toro approved attachments.

# Stability Data

The following table lists the maximum slope recommended for the traction unit in the positions listed in the table. Slopes over the listed degree may cause the traction unit to become unstable. The data in the table assumes that the loader arms are fully lowered and that the factory installed tires are on the traction unit, inflated to the recommended pressure; raised arms and other tire types or pressure may affect the stability.

Configuration	Maximum Recommended Slope when Operating with:		
	Front Uphill 	Rear Uphill 	Side Uphill 
Traction unit without attachment	8°	20°	17°
Traction unit with counterweight, without attachment	5°	21°	17°
Traction unit with an attachment rated with one of the following stability ratings for each slope position:*			
<b>A</b>	25°	25°	20°
<b>B</b>	18°	19°	17°
<b>C</b>	15°	16°	14°
<b>D</b>	10°	10°	9°
<b>E</b>	5°	5°	5°

\* In each attachment manual is a set of three stability ratings, one for each hill position. To determine the maximum slope you can traverse with the attachment installed, find the degree of slope that corresponds to the stabilities ratings of the attachment. Unless otherwise specified in the attachment manual, assume that the listed ratings are for use without the counterweight.

Example: If the attachment installed on the traction unit has a Front Uphill rating of B, a Rear Uphill rating of D, and a Side Uphill rating of C, then you could drive forward up a 18° slope, rearward up a 10° slope, or sideways on a 14° slope, as listed in the above table.

# Before Operating

Before operating, check the fuel and oil level, remove debris from the traction unit, and check the tire pressure. Also, ensure that the area is clear of people and debris. You should also know and have marked the locations of all utility lines.

## Adding Fuel



### Danger



In certain conditions, gasoline is extremely flammable and highly explosive. A fire or explosion from gasoline can burn you and others and can damage property.

- Fill the fuel tank outdoors, in an open area, when the engine is cold. Wipe up any gasoline that spills.
- Do not fill the fuel tank completely full. Add gasoline to the fuel tank until the level is 1/4 to 1/2 in. (6 to 13 mm) below the bottom of the filler neck. This empty space in the tank allows gasoline to expand.
- Never smoke when handling gasoline, and stay away from an open flame or where gasoline fumes may be ignited by a spark.
- Store gasoline in an approved container and keep it out of the reach of children. Never buy more than a 30-day supply of gasoline.
- Always place gasoline containers on the ground away from your vehicle before filling.
- Do not fill gasoline containers inside a vehicle or on a truck or trailer bed because interior carpets or plastic truck bed liners may insulate the container and slow the loss of any static charge.
- When practical, remove gas-powered equipment from the truck or trailer and refuel the equipment with its wheels on the ground.
- If this is not possible, then refuel such equipment on a truck or trailer from a portable container, rather than from a gasoline dispenser nozzle.
- If a gasoline dispenser nozzle must be used, keep the nozzle in contact with the rim of the fuel tank or container opening at all times until fueling is complete.

Use unleaded regular gasoline (87 pump octane minimum). Leaded regular gasoline may be used if unleaded regular is not available.

**Important** Never use methanol, gasoline containing methanol, or gasohol containing more than 10% ethanol because the fuel system could be damaged. Do not mix oil with gasoline.

**Important** Never use fuel additives containing methanol or ethanol.

## Filling the Fuel Tank

1. Park the traction unit on a level surface, lower the loader arms, and stop the engine.
2. Remove the key and allow the engine to cool.
3. Clean around the fuel tank cap and remove it.
4. Add unleaded regular gasoline the fuel tank, until the level is 1/4 to 1/2 in. (6 to 13 mm) below the bottom of the filler neck.

**Important** This space in the tank allows gasoline to expand. Do not fill the fuel tank completely full.

5. Install the fuel tank cap securely.
6. Wipe up any gasoline that may have spilled.

## Using Stabilizer/Conditioner

Use a fuel stabilizer/conditioner in the machine to provide the following benefits:

- Keeps gasoline fresh during storage of 90 days or less. For longer storage, drain the fuel tank.
- Cleans the engine while it runs
- Eliminates gum-like varnish buildup in the fuel system, which causes hard starting

**Important** Do not use fuel additives containing methanol or ethanol.

Add the correct amount of gas stabilizer/conditioner to the gas.

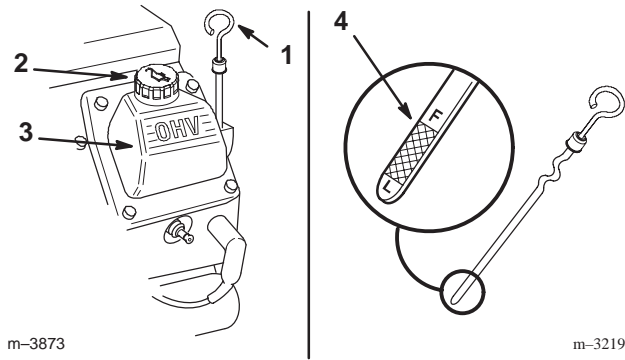
**Note:** A fuel stabilizer/conditioner is most effective when mixed with fresh gasoline. To minimize the chance of varnish deposits in the fuel system, use fuel stabilizer at all times.

## Checking the Oil Level

1. Park the traction unit on a level surface, lower the loader arms, and stop the engine.
2. Remove the key and allow the engine to cool.
3. Clean around the oil dipstick (Fig. 6).
4. Pull out the dipstick and wipe the metal end clean (Fig. 6).
5. Slide the dipstick fully into the dipstick tube (Fig. 6).
6. Pull the dipstick out and look at the metal end.
7. If the oil level is low, clean around the oil filler cap and remove the cap (Fig. 6).
8. Slowly pour only enough oil into the valve cover to raise the level to the F (full) mark.

**Important** Do not overfill the crankcase with oil because the engine may be damaged.

9. Replace the filler cap and dipstick.



**Figure 6**

1. Oil dipstick
2. Filler cap
3. Valve cover
4. Metal end

## Removing Debris from the Traction Unit

**Important** Operating the engine with a blocked grass screen, dirty or plugged cooling fins, and/or cooling shrouds removed, will result in engine damage from overheating.

1. Park the traction unit on a level surface, raise the loader arms, and install the cylinder locks; refer to Using the Cylinder Locks, page 17.
2. Stop the engine and remove the key.
3. Clean any debris from the grill before each use and/or during use, if required.
4. Wipe away debris from the air cleaner before each use and/or during use, if required.
5. Clean any debris build-up on the engine with a brush or blower before each use.

**Important** It is preferable to blow dirt out, rather than washing it out. If water is used, keep it away from electrical items and hydraulic valves. Do not use a high-pressure washer. High-pressure washing can damage the electrical system and hydraulic valves or deplete grease.

6. Remove and store the cylinder locks (refer to Using the Cylinder Locks, page 17), and lower the loader arms.

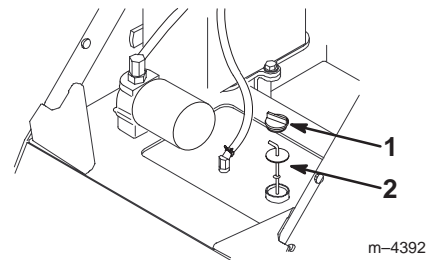
## Checking the Hydraulic Fluid

Check the hydraulic fluid level before the engine is first started and after every 25 operating hours.

Hydraulic Tank Capacity: 17.25 gal. (67 l)

Use 10W-30 detergent oil (API service SH, SJ, or higher).

1. Remove the attachment, if one is installed; refer to Removing an Attachment, page 20.
2. Park the traction unit on a level surface, raise the loader arms, and install the cylinder locks; refer to Using the Cylinder Locks, page 17.
3. Stop the engine and remove the key.
4. Clean the area around the filler neck of the hydraulic tank (Fig. 7).
5. Remove the cap from the filler neck and check the fluid level on the dipstick (Fig. 7).



**Figure 7**

1. Filler neck cap
2. Dipstick

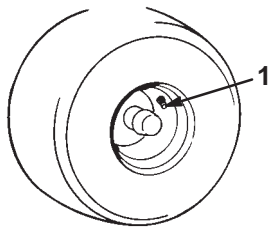
6. If the level is low, add enough fluid to raise it to the proper level.
7. Install the cap on the filler neck.
8. Remove and store the cylinder locks (refer to Using the Cylinder Locks, page 17) and lower the loader arms.

## Tire pressure

Maintain the air pressure in the tires as specified. Check the tires when they are cold to get the most accurate reading.

Pressure: 15–20 psi

**Note:** Use a lower tire pressure (15 psi) when operating in sandy soil conditions to provide better traction in the loose soil.



m-1872

**Figure 8**

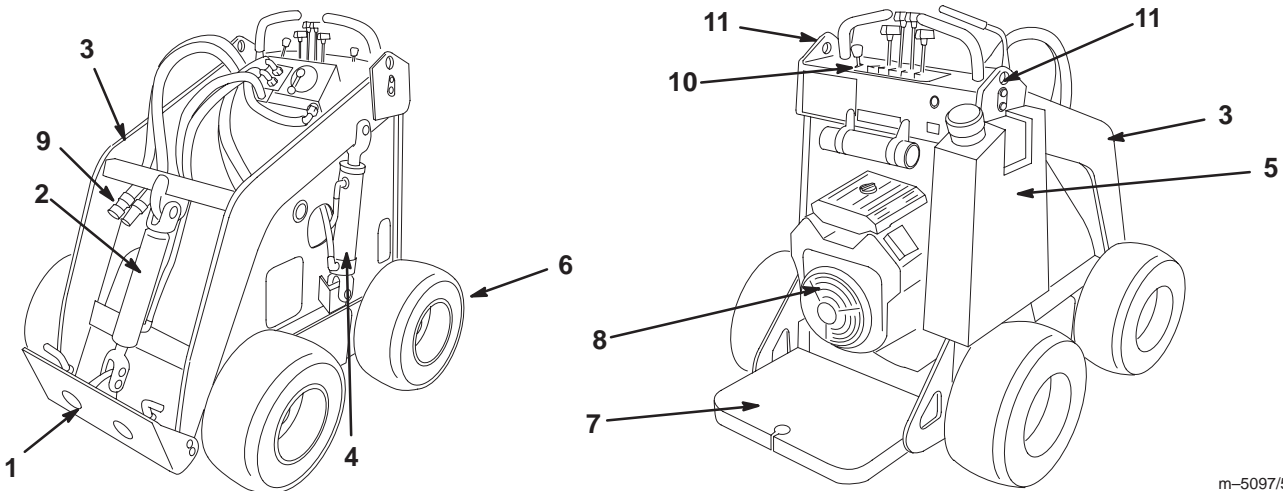
1. Valve stem

# Operation

**Note:** Determine the left and right side of the machine from the normal operating position.

## Traction Unit Overview

Figure 9 contains a front and back view of the traction unit. Familiarize yourself with all of the traction unit components listed in Figure 9.



m-5097/5093

**Figure 9**

- |                  |                  |                                 |                   |
|------------------|------------------|---------------------------------|-------------------|
| 1. Mount plate   | 4. Lift cylinder | 7. Operator platform            | 10. Control panel |
| 2. Tilt cylinder | 5. Fuel tank     | 8. Engine                       | 11. Lift points   |
| 3. Loader arms   | 6. Wheel         | 9. Auxiliary hydraulic couplers |                   |



### Caution

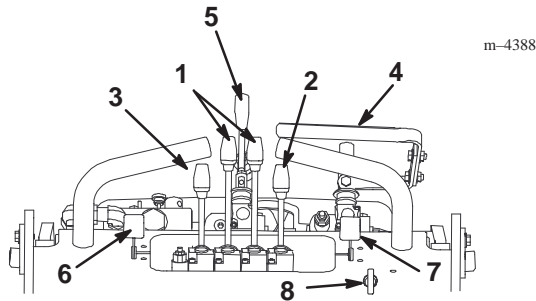


**You could fall off of the platform and be seriously injured during operation.**

**Do not move the control levers unless you are standing with both feet on the platform and your hands are holding the handles.**

# Controls

Become familiar with all the controls (Fig. 10) before you start the engine and operate the traction unit.



**Figure 10**

- |                               |                         |
|-------------------------------|-------------------------|
| 1. Traction control levers    | 5. Speed selector lever |
| 2. Attachment tilt lever      | 6. Throttle lever       |
| 3. Loader arm lever           | 7. Choke lever          |
| 4. Auxiliary hydraulics lever | 8. Key switch           |

## Key Switch

The key switch, used to start and stop the engine, has three positions: off, run, and start.

To start the engine, rotate the key to the start position. Release the key when engine starts and it will move automatically to the run position.

To stop the engine, rotate the key to the off position.

## Throttle Lever

Move the control forward to increase the engine speed and rearward to decrease speed.

## Choke Lever

Before starting a cold engine, move the choke lever fully forward. After the engine starts, regulate the choke to keep the engine running smoothly. As soon as possible, move the choke lever rearward as far as possible. A warm engine requires little or no choking.

## Traction Control Levers

To move forward, move the traction control levers forward. To move rearward, move the traction control levers rearward.

To go straight, move both traction control levers equally.

To turn, move the lever located on the side you want to turn back toward the neutral position while keeping the other lever engaged.

The farther you move the traction control levers in either direction, the faster the traction unit will move in that direction.

To slow or stop, move the traction control levers to neutral.

## Attachment Tilt Lever

To tilt the attachment forward, slowly push the attachment tilt lever forward.

To tilt the attachment rearward, slowly pull the attachment tilt lever rearward.

## Loader Arm Lever

To lower the loader arms, slowly push the loader arm lever forward.

To raise the loader arms, slowly pull the loader arm lever rearward.

## Auxiliary Hydraulics Lever

To operate a hydraulic attachment in forward direction, slowly pull the auxiliary hydraulics lever rearward.

To operate a hydraulic attachment in reverse direction, slowly push the auxiliary hydraulics lever forward. This is also called the detent position because it does not require operator presence.

## Speed Selector Lever

Move the speed selector lever to the fast (rabbit) position to set the traction drive, loader arms, and attachment tilt to high speed and the auxiliary hydraulics to low speed.

Move the speed selector lever to the slow (turtle) position to set the auxiliary hydraulics to high speed and the traction drive, loader arms, and attachment tilt to low speed.



## Warning



If you move the speed selector lever while the traction unit is in motion, the traction unit will either stop suddenly or accelerate quickly. If you operate the traction unit with the speed selector lever in an intermediate position, the traction unit will operate erratically and may be damaged. You could lose control of the traction unit and injure bystanders or yourself.

- Do not move the speed selector lever when the traction unit is in motion.
- Do not operate the traction unit when the speed selector is in any intermediate position (i.e., any position other than fully forward or fully rearward).

## Flow Divider Control

The traction unit hydraulics (i.e., the traction drive, loader arms, and attachment tilt) work on a separate hydraulic circuit from the auxiliary hydraulics for powering attachments; however, the two systems share the same hydraulic pumps. Using the flow divider control (Fig. 11), you can vary the speed of the traction unit hydraulics by diverting hydraulic flow to the auxiliary hydraulics circuit. The flow divider allows you to divide the flow of fluid in varying degrees to slow the traction unit. Thus, the more hydraulic flow you divert to the auxiliary hydraulics, the slower the traction unit hydraulics will move.

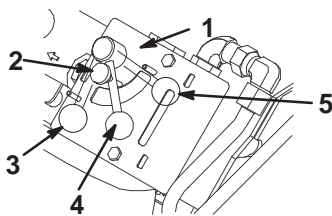


Figure 11

- |                         |                              |
|-------------------------|------------------------------|
| 1. Flow divider control | 4. 10 to 11 o'clock position |
| 2. Knob                 | 5. 9 o'clock position        |
| 3. 12 o'clock position  |                              |

- Move the flow divider control to the twelve o'clock position to provide maximum speed to the traction unit hydraulics.

Use this setting for fast operation of the traction unit.

- Move the flow divider control between the twelve o'clock and nine o'clock positions to slow the traction unit hydraulics and fine tune the speed.

Use a setting in this range with attachments with hydraulics where you need to both run the attachment and move the traction unit hydraulics, such as the auger, boring unit, hydraulic blade, and tiller.

- Move the control to the nine o'clock position to transfer all hydraulic flow to the auxiliary hydraulics of the attachment.

In this setting, the traction unit hydraulics will not work. Use this setting with hydraulic attachments that do not require the traction unit hydraulics. There are currently no attachments that require the nine o'clock position; however, the trencher does work best if you set it close to nine o'clock so that the traction unit will creep slowly when trenching.

**Note:** The flow divider control can be fixed in place by turning the knob on the control clockwise until it contacts the dial (Fig. 11).

## Starting and Stopping the Engine

### Starting the Engine

1. Stand on the platform.
2. Move the auxiliary hydraulics valve lever to neutral.
3. Move the throttle lever midway between slow (turtle) and fast (rabbit) positions.
4. Move the choke lever fully forward before starting a cold engine.

**Note:** A warm or hot engine may not require choking.

5. Turn the ignition key to the start position. When the engine starts, release the key.

**Important** Do not engage the starter for more than 10 seconds at a time. If the engine fails to start, allow a 30 second cool-down period between attempts. Failure to follow these instructions can burn out the starter motor.

6. After the engine starts, gradually move the choke to rearward. If the engine stalls or hesitates, move the choke forward again until the engine warms up.

7. Move the throttle lever to desired setting.

**Important** If the engine is run at high speeds when the hydraulic system is cold (i.e., when the ambient air temperature is around freezing or lower), hydraulic system damage could occur. When starting the engine in cold conditions, allow the engine to run in the middle throttle position for 2 to 5 minutes before moving the throttle to fast (rabbit).

## Stopping the Engine

1. Move the throttle lever to the slow (turtle) position.
2. Lower the loader arms to the ground.
3. Turn the ignition key off.

**Note:** If the engine has been working hard or is hot, let it idle for a minute before turning the ignition key off. This helps cool the engine before it is stopped. In an emergency, the engine may be stopped immediately.

## Driving Forward or Backward

The throttle control regulates the engine speed as measured in rpm (revolutions per minute). Place the throttle lever in the fast (rabbit) position for best performance.

**Note:** Throttle position can be utilized to operate at slower speeds.

To drive the traction unit, complete the following actions as necessary:

- To move forward, move the traction control levers forward.
- To move rearward, move the traction control levers rearward.
- To go straight, move both traction control levers equally.
- To turn, move the lever located on the side you want to turn toward the neutral position while keeping the other lever engaged.
- To slow or stop, move the traction control levers to neutral.

**Note:** The farther you move the traction control levers in either direction, the faster the traction unit will move in that direction.

## Stopping the Traction Unit

To stop the traction unit, move the traction control levers to neutral and the throttle lever to slow (turtle), lower loader arms to the ground, and turn the ignition key off to stop the engine. Remove the key.

! **Caution** !

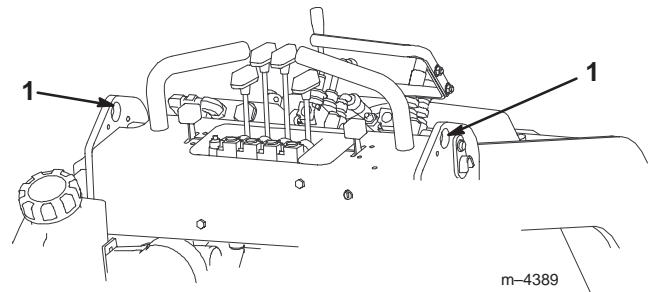
**A child or untrained bystander could attempt to operate the traction unit and be injured.**

**Remove the key from the switch when leaving the traction unit, even if just for a few seconds.**

## Moving a Non-functioning Traction Unit

**Important** Never tow or pull the traction unit. Rotating the wheels manually will cause damage to the hydraulic wheel motors.

1. Stop the engine.
2. Lift the traction unit off the ground, using the two lift points (Fig. 12) and move onto a trailer.



**Figure 12**

1. Lift points

## Using the Cylinder Locks

! **Warning** !

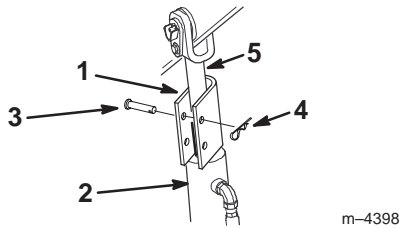
**The loader arms may lower when in the raised position crushing anyone under them.**

**Install the cylinder locks before performing maintenance that requires raised loader arms.**

### Installing the Cylinder Locks

1. Start the engine.
2. Raise the loader arms to the fully raised position.

3. Stop the engine.
4. Position a loader arm cylinder lock over each lift cylinder rod (Fig. 13).
5. Secure each loader arm cylinder lock with a clevis pin and cotter pin (Fig. 13).



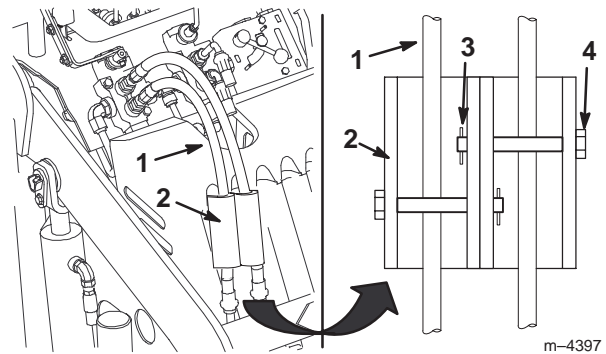
**Figure 13**

- |                   |                      |
|-------------------|----------------------|
| 1. Cylinder lock  | 4. Clevis pin        |
| 2. Lift cylinder  | 5. Lift cylinder rod |
| 3. Hairpin cotter |                      |

6. With the engine off, lower the loader arms.

## Removing/Storing the Cylinder Locks

1. Start the engine.
2. Raise the loader arms to the fully raised position.
3. Stop the engine.
4. Remove the clevis pin and cotter pin securing each cylinder lock.
5. Remove the cylinder locks.
6. Lower the loader arms.
7. Install the cylinder locks over the hydraulic hoses and secure them with the clevis pins and cotter pins (Fig. 14).



**Figure 14**

- |                    |                   |
|--------------------|-------------------|
| 1. Hydraulic hoses | 3. Hairpin cotter |
| 2. Cylinder locks  | 4. Clevis pin     |

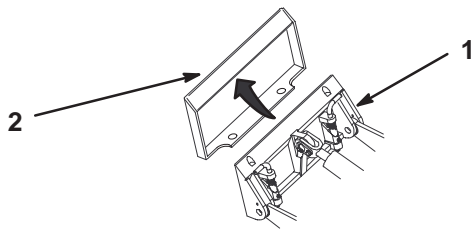
## Installing and Removing Attachments

### Connecting an Attachment

**Important** Use only Toro-approved attachments. Attachments can change the stability and the operating characteristics of the traction unit. The warranty of the traction unit may be voided if used with unapproved attachments.

**Important** Before installing the attachment, ensure that the mount plates are free of any dirt or debris and that the pins rotate freely. If the pins do not rotate freely, grease them; refer to Greasing the Traction Unit, page 21.

1. Position the attachment on a level surface with enough space behind it to accommodate the traction unit.
2. Start the engine.
3. Tilt the attachment mount plate forward.
4. Position mount plate into the upper lip of the attachment receiver plate (Fig. 15).



m-4055

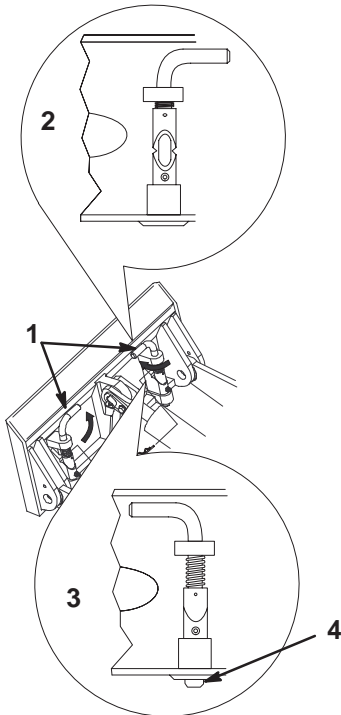
**Figure 15**

1. Mount plate
2. Receiver plate

5. Raise the loader arms while tilting back the mount plate at the same time.

**Important** The attachment should be raised enough to clear the ground, and the mount plate should be tilted all the way back.

6. Stop the engine.
7. Engage the quick attach pins, ensuring that they are fully seated in the mount plate (Fig. 16).



m-4056

**Figure 16**

1. Quick attach pins (shown in engaged position)
2. Disengaged position
3. Engaged position
4. When engaged, the pin must protrude through the bottom of the attachment mount plate.

**Warning**

If you do not fully seat the quick attach pins through the attachment mount plate, the attachment could fall off of the traction unit, crushing you or bystanders.

Ensure that your quick attach pins are fully seated in the attachment mount plate.

1. Position the attachment on a level surface with enough space behind it to accommodate the traction unit.
2. Move the pump control lever to the turtle position.

**Connecting the Hydraulic Hoses**

If the attachment requires hydraulics for operation, connect the hydraulic hoses as follows:

1. Stop the engine.
2. Move the auxiliary hydraulics lever forward, backward, and back to neutral to relieve pressure at the hydraulic couplers.
3. Push the auxiliary hydraulics lever forward into the detent position.
4. Remove the protective covers from the hydraulic couplers on the traction unit.
5. Ensure that all foreign matter is cleaned from the hydraulic connectors.
6. Push the attachment male connector into the female connector on the traction unit.

**Note:** When you connect the attachment male connector first, you will relieve any pressure build up in the attachment.

**Warning**

Hydraulic fluid escaping under pressure can penetrate skin and cause injury. Fluid injected into the skin must be surgically removed within a few hours by a doctor familiar with this form of injury or gangrene may result.

- Keep your body and hands away from pin hole leaks or nozzles that eject high pressure hydraulic fluid.
- Use cardboard or paper to find hydraulic leaks, never use your hands.



## Caution



**Hydraulic couplers, hydraulic lines/valves, and hydraulic fluid may be hot. If you contact hot components you may be burned.**

- **Wear gloves when operating the hydraulic couplers.**
- **Allow the traction unit to cool before touching hydraulic components.**
- **Do not touch hydraulic fluid spills.**

7. Push the attachment female connector into the male connector on the traction unit.
8. Confirm that the connection is secure by pulling on the hoses.
9. Move the auxiliary hydraulics lever to neutral.

### Removing an Attachment

1. Lower the attachment to the ground
2. Stop the engine.
3. Disengage the quick attach pins by turning them to the outside.
4. If the attachment uses hydraulics, move the auxiliary hydraulics lever forward, backward, and back to neutral to relieve pressure at the hydraulic couplers.

## Maintenance

**Note:** Determine the left and right side of the machine from the normal operating position.

### Recommended Maintenance Schedule

Maintenance Service Interval	Maintenance Procedure
8 hours	<ul style="list-style-type: none"> <li>• Grease the traction unit</li> <li>• Check engine oil level</li> <li>• Check for loose fasteners</li> <li>• Check tire pressure (20 psi)</li> </ul>
25 hours	<ul style="list-style-type: none"> <li>• Clean the foam element of the air filter<sup>1</sup></li> <li>• Check hydraulic oil level</li> <li>• Inspect hydraulic lines for leaks</li> </ul>
50 hours	<ul style="list-style-type: none"> <li>• Lubricate the traction drive chains and check their tension</li> </ul>

5. If the attachment uses hydraulics, slide the collar back on the hydraulic couplers and disconnect them.

**Important** Connect the attachment hoses together to prevent hydraulic system contamination during storage.

6. Install the protective covers onto the hydraulic couplers on the traction unit.
7. Start the engine, tilt the mount plate forward, and back the traction unit away from the attachment.

### Securing the Traction Unit for Transport

When transporting the traction unit on a trailer, always use the following procedure:

**Important** Do not operate or drive the traction unit on roadways.

1. Lower the loader arms.
2. Stop the engine.
3. Secure the traction unit to the trailer with chains or straps using the operator platform support openings to secure the rear of the traction unit and the loader arms/mount plate to secure the front of the traction unit.

Maintenance Service Interval	Maintenance Procedure
100 hours	<ul style="list-style-type: none"> <li>• Replace the paper air filter<sup>1</sup></li> <li>• Change engine oil<sup>1, 2</sup></li> <li>• Check battery electrolyte level</li> <li>• Check wheel lug nut torque (50 ft-lbs)<sup>3</sup></li> <li>• Check battery cable connections</li> </ul>
200 hours	<ul style="list-style-type: none"> <li>• Change engine oil filter (every other oil change)<sup>1, 4</sup></li> <li>• Check engine speed (1200–1400 rpm idle and 3600 full throttle, ± 75)</li> <li>• Check spark plugs</li> </ul>
400 hours	<ul style="list-style-type: none"> <li>• Change hydraulic filter<sup>1, 3, 5</sup></li> <li>• Inspect fuel lines for leaks</li> </ul>
Yearly/Storage	<ul style="list-style-type: none"> <li>• Change hydraulic oil<sup>1, 6</sup></li> <li>• Replace the fuel filter<sup>1</sup></li> <li>• Touch up chipped paint</li> </ul>

<sup>1</sup>More often in dusty, dirty conditions.

<sup>2</sup>Change oil after the first 50 operating hours.



<sup>3</sup>Change the hydraulic filter and torque the wheel lug nuts after the first 8–10 operating hours

<sup>4</sup>For severe duty or rental applications, change every 100 operating hours.

<sup>5</sup>For severe duty or rental applications, change every 200 operating hours.

<sup>6</sup>For severe duty or rental applications, change every 400 operating hours.

**Important** Refer to your engine operator's manual for additional maintenance procedures.

	<b>Caution</b>	
<p><b>If you leave the key in the ignition switch, someone could accidentally start the engine and seriously injure you or other bystanders.</b></p> <p><b>Remove the key from the ignition and disconnect the wire from the spark plug before you do any maintenance. Set the wire aside so that it does not accidentally contact the spark plug.</b></p>		

## Greasing the Traction Unit

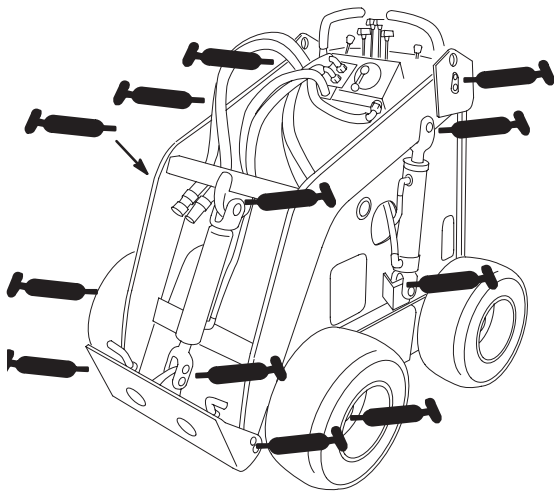
Grease all pivot joints every 8 operating hours and immediately after every washing.

Grease Type: General-purpose grease.

1. Lower the loader arms, stop the engine, and remove the key.
2. Clean the grease fittings with a rag.

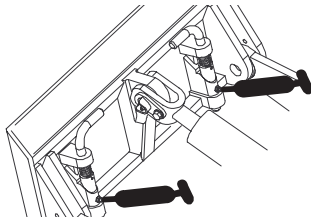
3. Connect a grease gun to each fitting (Fig 17 and 18).
4. Pump grease into the fittings until grease begins to ooze out of the bearings (approximately 3 pumps).

**Note:** At the center of each front wheel hub is a grease fitting covered by a rubber cap. Fill these fittings with grease until the blue ring around the fitting moves all of the way out toward you, then replace the cap.



m-5098

Figure 17



m-4056

Figure 18

5. Wipe up any excess grease.

## Servicing the Air Cleaner

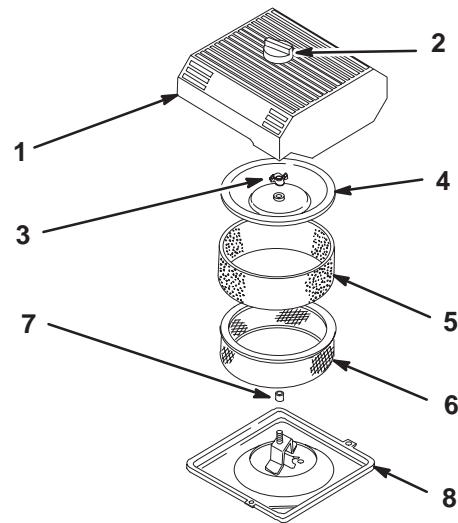
**Foam Element:** Clean and oil after every 25 operating hours, or yearly, whichever occurs first.

**Paper Element:** Replace after every 100 operating hours or yearly, whichever occurs first.

**Note:** Service the air cleaner more frequently (every few hours) if operating conditions are extremely dusty or sandy.

### Removing the Foam and Paper Elements

1. Lower the loader arms, stop the engine, and remove the key.
2. Clean around the air cleaner to prevent dirt from getting into the engine and causing damage (Fig. 19).



m-3214

Figure 19

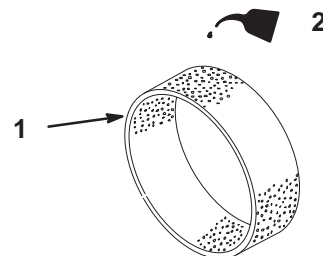
- |                      |                     |
|----------------------|---------------------|
| 1. Air cleaner cover | 5. Foam element     |
| 2. Knob              | 6. Paper element    |
| 3. Cover nut         | 7. Rubber seal      |
| 4. Cover             | 8. Air cleaner base |

3. Loosen the knob on the air cleaner cover and remove the cover (Fig. 19).
4. Carefully slide the foam element off the paper element (Fig. 19).
5. Unscrew the cover nut and remove the cover and paper element (Fig. 19).

### Cleaning the Foam Element

1. Wash the foam element in liquid soap and warm water.
2. When the element is clean, rinse it thoroughly.
3. Dry the element by squeezing it in a clean cloth.
4. Put one or two ounces of oil on the element (Fig. 20).

**Important** Replace the foam element if it is torn or worn.



m-3247

Figure 20

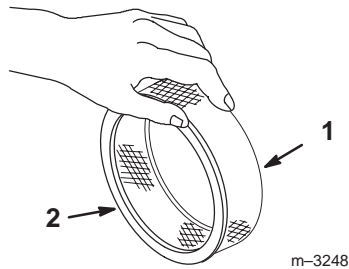
- |                 |        |
|-----------------|--------|
| 1. Foam element | 2. Oil |
|-----------------|--------|

5. Squeeze the element to distribute the oil.

## Checking the Paper Element

Inspect the element for tears, an oily film, damage to the rubber seal, excessive dirt, or other damage (Fig. 21). If any of these conditions exist, replace the filter.

**Important** Do not clean the paper element with pressurized air or liquids, such as solvent, gas, or kerosene.



**Figure 21**

1. Paper element                      2. Rubber seal

**Important** To prevent engine damage, always operate the engine with the complete foam and paper air cleaner assembly installed.

## Installing the Foam and Paper Elements

1. Carefully slide the foam element onto the paper air cleaner element (Fig. 19).
2. Slide the air cleaner assembly and cover onto the long rod.
3. Install the cover nut finger-tight against the cover (Fig. 19).

**Note:** Ensure that the rubber seal is flat against the air cleaner base and cover.

4. Install the air cleaner cover and knob (Fig. 19).

## Servicing the Traction Drive Chains

### Lubricating the Drive Chains

Lubricate the drive chain every 50 operating hours.

1. Lower the loader arms, stop the engine, and remove the key.
2. Apply a general purpose oil (10W30) onto upper and lower chain spans.
3. Start the traction unit and slowly move it forward to expose unlubed upper and lower chain spans.
4. Stop the engine and remove the key.

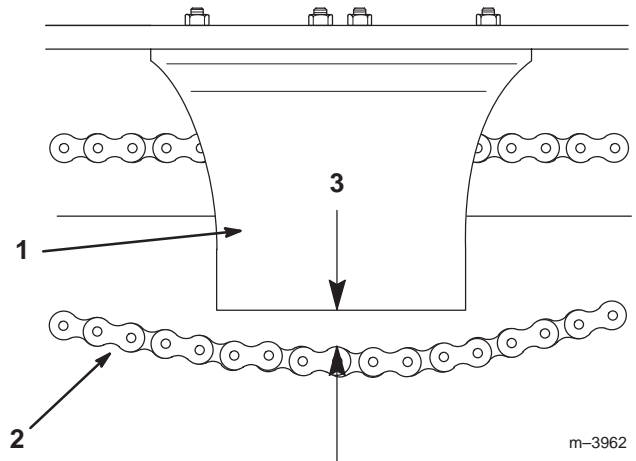
5. Apply oil to newly exposed unlubed chain spans.

## Checking the Tension

Check the drive chain tension before using the traction unit for the first time and every 50 hours of use thereafter.

The drive chains should have about 1–1/2 to 2–1/2 inches (3.8 to 6.35 cm) of slack between the bottom of the chain guard and the bottom chain span when the top chain span is pulled tight. Use the following procedure to check the tension:

1. With the bucket installed, lower it into the ground until the front tires are off of the ground.
2. Stop the engine and remove the key.
3. Turn the front wheel forward on one side of the traction unit until the top span of the drive chain is tight.
4. Measure the distance between the bottom of the chain guard and the lower chain span (Fig. 22). If the slack in the chain is not within 1–1/2 to 2–1/2 inches (3.8 to 6.35 cm), adjust the tension (refer to Adjusting the Tension).



**Figure 22**

1. Chain guard                      3. 1–1/2" to 2–1/2"  
2. Bottom span of the chain

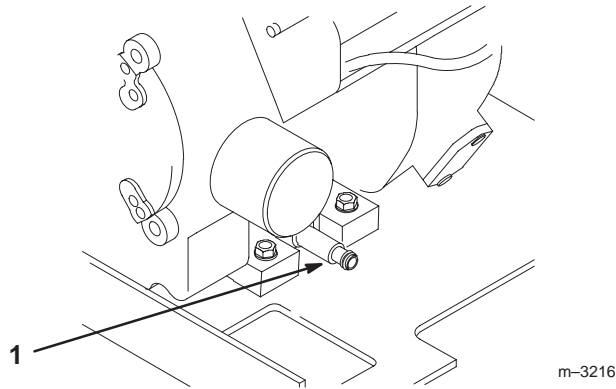
5. Repeat steps 3 and 4 for the other drive chain.
6. Start the engine and raise the bucket to return the front wheels to the ground.

## Adjusting the Tension

1. With the bucket installed, lower it into the ground until the front tires are off of the ground.
2. Stop the engine and remove the key.



**Note:** Dispose of the used oil at a certified recycling center.



**Figure 24**

1. Oil drain valve

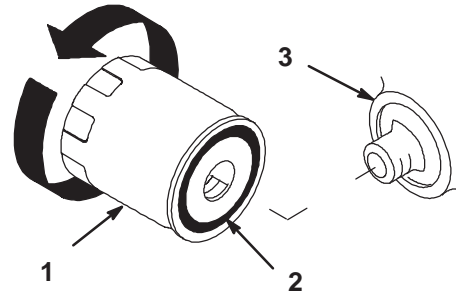
7. Remove the oil fill cap and slowly pour approximately 80% of the specified amount of oil in through the valve cover.
8. Check the oil level; refer to Checking the Oil Level, page 12.
9. Slowly add additional oil to bring the level to the F (full) mark on the dipstick.
10. Replace the fill cap.

## Changing the Oil Filter

Replace the oil filter every 200 hours or every other oil change.

**Note:** Change the oil filter more frequently when operating conditions are extremely hot, dusty, or sandy.

1. Drain the oil from the engine; refer to Changing the Oil, page 24.
2. Remove the old filter and wipe the filter adapter (Fig. 25) gasket surface.
3. Pour new oil of the proper type in through the center hole of the filter. Stop pouring when the oil reaches the bottom of the threads.
4. Allow a minute or two for the oil to be absorbed by filter material, then pour off the excess oil.
5. Apply a thin coat of new oil to the rubber gasket on the replacement filter (Fig. 25).



**Figure 25**

1. Oil filter
2. Gasket
3. Adapter

6. Install the replacement oil filter to the filter adapter. Turn the oil filter clockwise until the rubber gasket contacts the filter adapter, then tighten the filter an additional 1/2 turn (Fig. 25).
7. Fill the crankcase with the proper type of new oil; refer to Changing the Oil, page 24.

## Servicing the Battery



### Warning



**Battery posts, terminals, and related accessories contain lead and lead compounds, chemicals known to the State of California to cause cancer and reproductive harm. Wash hands after handling.**

Check the electrolyte level in the battery every 100 hours. Always keep the battery clean and fully charged. Use a paper towel to clean the battery case. If the battery terminals are corroded, clean them with a solution of four parts water and one part baking soda. Apply a light coating of grease to the battery terminals to reduce corrosion.

Voltage: 12 v, 380 Cold Cranking Amps

## Checking the Electrolyte Level

1. Open covers to see into the cells. The electrolyte must be up to the lower part of the tube (Fig. 26).

**Important** Do not allow the electrolyte to get below the plates. (Fig. 26).

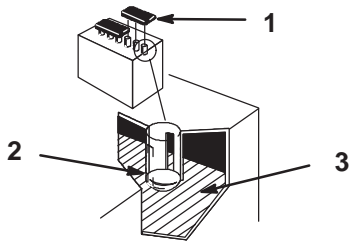


Figure 26

1262

1. Filler caps
2. Lower part of tube
3. Plates

2. If the electrolyte is low, add the required amount of distilled water; refer to Adding Water to the Battery, below.

## Adding Water to the Battery

The best time to add distilled water to the battery is just before you operate the traction unit. This lets the water mix thoroughly with the electrolyte solution.

1. Clean the top of the battery with a paper towel.
2. Lift off the filler caps (Fig. 26).
3. Slowly pour distilled water into each battery cell until the level is up to the lower part of the tube (Fig. 26).

**Important** Do not overfill the battery because electrolyte (sulfuric acid) can cause severe corrosion and damage to the chassis.

4. Press the filler caps onto the battery.

## Charging the Battery

**Important** Always keep the battery fully charged (1.260 specific gravity). This is especially important to prevent battery damage when the temperature is below 32°F (0°C).

1. Check the electrolyte level; refer to Checking Electrolyte Level, page 25.
2. Remove the filler caps from the battery and connect a 3 to 4 amp battery charger to the battery posts. Charge the battery at a rate of 4 amperes or less for 4 hours (12 volts). Do not overcharge the battery.
3. Install the filler caps after the battery is fully charged.



## Warning



Charging the battery produces gasses that can explode.

Never smoke near the battery and keep sparks and flames away from battery.

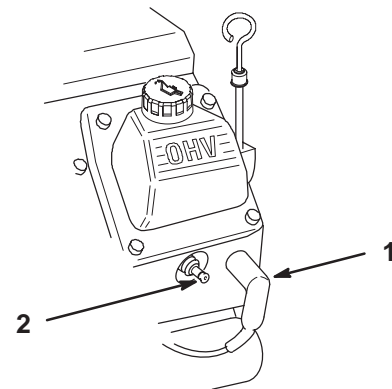
## Servicing the Spark Plugs

Check the spark plugs after every 200 operating hours. Ensure that the air gap between the center and side electrodes is correct before installing each spark plug. Use a spark plug wrench for removing and installing the spark plugs and a gapping tool/feeler gauge to check and adjust the air gap. Install new spark plugs if necessary.

Type: Champion Premium Gold 2071 or Champion RC12YC (or equivalent) Air Gap: 0.030 in. (0.76 mm)

## Removing the Spark Plugs

1. Lower the loader arms, stop the engine, and remove the key.
2. Pull the wires off of the spark plugs (Fig. 27).
3. Clean around the spark plugs.
4. Remove the spark plugs and metal washers.



m-3876

Figure 27

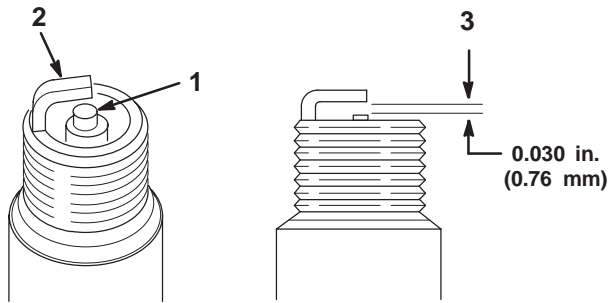
1. Spark plug wire
2. Spark plug

## Checking the Spark Plugs

1. Look at the center of the spark plugs (Fig. 28). If you see light brown or gray on the insulator, the engine is operating properly. A black coating on the insulator usually means the air cleaner is dirty.

**Important** Never clean the spark plugs. Always replace the spark plugs when they have a black coating, worn electrodes, an oily film, or cracks.

2. Check the gap between the center and side electrodes (Fig. 28).
3. Bend the side electrode (Fig. 28) if the gap is not correct.



m-3215

**Figure 28**

1. Center electrode insulator
2. Side electrode
3. Air gap (not to scale)

## Installing the Spark Plugs

1. Thread the spark plugs into the spark plug holes.
2. Tighten the spark plugs to 20 ft-lb (27 N.m).
3. Push the wires onto the spark plugs (Fig. 27).

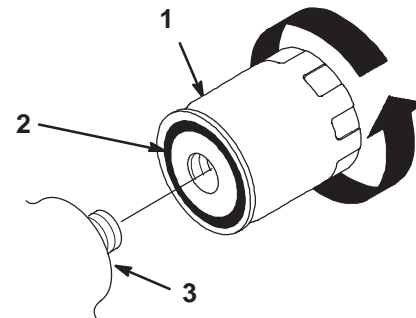
## Servicing the Hydraulic System

### Replacing the Hydraulic Filter

Change the hydraulic filter:

- After the first 8 to 10 operating hours.
  - After every 400 operating hours.
1. Position traction unit on a level surface.
  2. Raise the loader arms and install the cylinder locks; refer to Using the Cylinder Locks, page 17.
  3. Stop the engine and remove the key.
- Important** Do not substitute an automotive oil filter or severe hydraulic system damage may result.
4. Place a drain pan under the filter.
  5. Remove the old filter and wipe the filter adapter, gasket surface clean.
  6. Apply a thin coat hydraulic fluid to the rubber gasket on the replacement filter (Fig. 29).

7. Install the replacement hydraulic filter onto the filter adapter. Tighten it clockwise until the rubber gasket contacts the filter adapter, then tighten the filter an additional 1/2 turn (Fig. 29).
8. Clean up any spilled fluid.
9. Start the engine and let it run for about two minutes to purge air from the system.
10. Stop the engine and check for leaks.
11. Check the fluid level in the hydraulic tank (refer to Checking the Hydraulic Fluid, page 13) and add fluid to raise the level to mark on dipstick. Do not over fill the tank.



**Figure 29**

1. Hydraulic filter
2. Gasket
3. Adapter

12. Remove and store the cylinder locks (refer to Using the Cylinder Locks, page 17) and lower the loader arms.

### Changing the Hydraulic Fluid

Change the hydraulic fluid yearly.

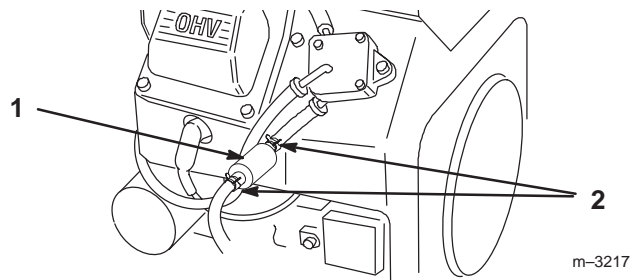
1. Position traction unit on a level surface.
2. Raise the loader arms and install the cylinder locks; refer to Using the Cylinder Locks, page 17.
3. Stop the engine and remove the key.
4. Place a large drain pan under the traction unit that can hold at least 17 gal. (67 l).
5. Remove the drain plug from the bottom of the hydraulic tank and allow the fluid to completely drain out.
6. Install the drain plug.
7. Fill the hydraulic tank with approximately 15 gal. (57 L) of 10W-30 detergent oil (API service SH, SJ, or higher); refer to Checking Hydraulic Fluid on page 13.

**Note:** Dispose of used oil at a certified recycling center.

- Remove and store the cylinder locks (refer to Using the Cylinder Locks, page 17) and lower the loader arms.

## Checking Hydraulic Lines

After every 25 operating hours, check the hydraulic lines and hoses for leaks, loose fittings, kinked lines, loose mounting supports, wear, weather, and chemical deterioration. Replace all moving hydraulic hoses every 1500 hours or 2 years, which ever comes first. Make necessary repairs before operating.



**Figure 30**

- Filter
- Hose clamp



### Warning



Hydraulic fluid escaping under pressure can penetrate skin and cause injury. Fluid injected into the skin must be surgically removed within a few hours by a doctor familiar with this form of injury or gangrene may result.

- Keep your body and hands away from pin hole leaks or nozzles that eject high pressure hydraulic fluid.
- Use cardboard or paper to find hydraulic leaks, never use your hands.

## Replacing the Fuel Filter

Replace the fuel filter yearly. Never install a dirty filter.

- Lower the loader arms, stop the engine, and remove the key.
- Shut off the fuel valve on the bottom of each fuel tank (Fig. 31).
- Clamp the fuel line between the fuel tanks and the fuel filter to block the fuel flow.
- Squeeze the ends of the hose clamps together and slide them away from the filter (Fig. 30).
- Place a drain pan under the fuel lines to catch any leaks, then remove the filter from the fuel lines.
- Install a new filter and move the hose clamps close to the filter.
- Remove the clamp blocking fuel flow and open the fuel valves.

## Draining the Fuel Tank



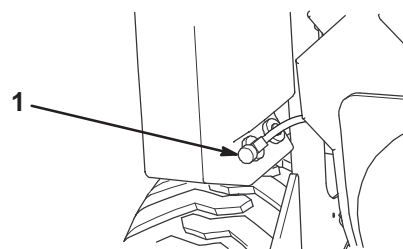
### Danger



In certain conditions, gasoline is extremely flammable and highly explosive. A fire or explosion from gasoline can burn you and others and can damage property.

- Drain gasoline from the fuel tank when the engine is cold. Do this outdoors in an open area. Wipe up any gasoline that spills.
- Never smoke when draining gasoline, and stay away from an open flame or where a spark may ignite the gasoline fumes.

- Park the traction unit on a level surface, to ensure that the fuel tanks drain completely.
- Lower the loader arms, stop the engine, and remove the key.
- Shut off the fuel valve on the bottom of the fuel tank (Fig. 31).



**Figure 31**

- Fuel valve

- Loosen the hose clamp at the fuel filter and slide it up the fuel line away from the filter.
- Pull the fuel line off of the fuel filter, open the fuel valve, and allow the gasoline to drain into a gas can or drain pan.

**Note:** Now is the best time to install a new fuel filter because the fuel tank is empty.

6. Install the fuel line onto the fuel filter.
7. Slide the hose clamp close to the fuel filter to secure the fuel line.
8. Open the fuel valve on the bottom of the fuel tank.

## Cleaning and Storage

1. Lower the loader arms, stop the engine, and remove the key.
2. Remove dirt and grime from the external parts of the entire traction unit, especially the engine. Clean dirt and chaff from the outside of the engine's cylinder head fins and blower housing.

**Important** You can wash the traction unit with mild detergent and water. Do not pressure wash the traction unit. Avoid excessive use of water, especially near the control panel, engine, hydraulic pumps, and motors.

3. Service the air cleaner; refer to Servicing the Air Cleaner, page 22.
4. Grease the traction unit; refer to Greasing the Traction Unit, page 21.
5. Change the crankcase oil; refer to Servicing the Engine Oil, page 24.
6. Remove the spark plugs and check the condition of each; refer to Servicing the Spark Plugs, page 26.
7. With the spark plugs removed from the engine, pour two tablespoons of engine oil into each spark plug hole.
8. Place rags over the spark plug holes to catch any oil spray, then use the starter to crank the engine and distribute the oil inside the cylinder.
9. Install the spark plugs, but do not install the wires on the spark plugs.

10. Check the tire pressure; refer to Tire Pressure, page 13.
11. Charge the battery; refer to Servicing the Battery, page 25.
12. For storage over 30 days, prepare the traction unit as follows.

- A. Add a petroleum based stabilizer/conditioner to fuel in the tank. Follow mixing instructions from stabilizer manufacturer (1 oz. per gallon). **Do not use an alcohol based stabilizer (ethanol or methanol).**

**Note:** A fuel stabilizer/conditioner is most effective when mixed with fresh gasoline and used at all times.

- B. Run the engine to distribute conditioned fuel through the fuel system (5 minutes).
- C. Stop the engine, allow it to cool, and drain the fuel tanks; refer to Draining Fuel Tanks, page 28.
- D. Start the engine and run it until it stops.
- E. Choke the engine.
- F. Start and run the engine until it will not start again.
- G. Dispose of fuel properly. Recycle as per local codes.

**Important** Do not store stabilizer/conditioned gasoline over 90 days.

13. Check and tighten all bolts, nuts, and screws. Repair or replace any part that is damaged or defective.
14. Paint all scratched or bare metal surfaces. Paint is available from your Authorized Service Dealer.
15. Store the traction unit in a clean, dry garage or storage area. Remove the key from the ignition switch and keep it in a memorable place.
16. Cover the traction unit to protect it and keep it clean.

## Troubleshooting

PROBLEM	POSSIBLE CAUSES	CORRECTIVE ACTION
Starter does not crank	<ol style="list-style-type: none"> <li>1. Auxiliary hydraulics lever is not in neutral position.</li> <li>2. Battery is dead.</li> <li>3. Electrical connections are corroded or loose.</li> <li>4. Relay or switch is defective.</li> </ol>	<ol style="list-style-type: none"> <li>1. Move lever to neutral position.</li> <li>2. Charge the battery.</li> <li>3. Check electrical connections for good contact.</li> <li>4. Contact Authorized Service Dealer.</li> </ol>

<b>PROBLEM</b>	<b>POSSIBLE CAUSES</b>	<b>CORRECTIVE ACTION</b>
Engine will not start, starts hard, or fails to keep running.	<ol style="list-style-type: none"> <li>1. Fuel tanks are empty.</li> <li>2. Choke is not on.</li> <li>3. Air cleaner is dirty.</li> <li>4. Spark plug wires are loose or disconnected.</li> <li>5. Spark plugs are pitted, fouled, or gap is incorrect.</li> <li>6. Dirt in fuel filter.</li> <li>7. Dirt, water, or stale fuel is in fuel system.</li> </ol>	<ol style="list-style-type: none"> <li>1. Fill fuel tanks with gasoline.</li> <li>2. Move choke lever fully forward.</li> <li>3. Clean or replace air cleaner element.</li> <li>4. Install wires on spark plugs.</li> <li>5. Install new, correctly gapped spark plugs.</li> <li>6. Replace fuel filter.</li> <li>7. Contact Authorized Service Dealer.</li> </ol>
Engine loses power.	<ol style="list-style-type: none"> <li>1. Engine load is excessive.</li> <li>2. Air cleaner is dirty.</li> <li>3. Oil level in crankcase is low.</li> <li>4. Cooling fins and air passages under engine blower housing are plugged.</li> <li>5. Spark plugs are pitted, fouled, or gap is incorrect.</li> <li>6. Dirt in fuel filter.</li> <li>7. Dirt, water, or stale fuel is in fuel system.</li> </ol>	<ol style="list-style-type: none"> <li>1. Reduce ground speed.</li> <li>2. Clean air cleaner element.</li> <li>3. Add oil to crankcase.</li> <li>4. Remove obstruction from cooling fins and air passages.</li> <li>5. Install new, correctly gapped spark plugs.</li> <li>6. Replace fuel filter.</li> <li>7. Contact Authorized Service Dealer.</li> </ol>
Engine overheats.	<ol style="list-style-type: none"> <li>1. Engine load is excessive.</li> <li>2. Oil level in crankcase is low.</li> <li>3. Cooling fins and air passages under engine blower housing are plugged.</li> </ol>	<ol style="list-style-type: none"> <li>1. Reduce ground speed.</li> <li>2. Add oil to crankcase.</li> <li>3. Remove obstruction from cooling fins and air passages.</li> </ol>
Abnormal vibration.	<ol style="list-style-type: none"> <li>1. Engine mounting bolts are loose.</li> </ol>	<ol style="list-style-type: none"> <li>1. Tighten engine mounting bolts.</li> </ol>
Traction unit does not drive.	<ol style="list-style-type: none"> <li>1. Flow divider valve lever is in the 9 o'clock position.</li> <li>2. Hydro fluid level low.</li> <li>3. Traction pump drive coupler is loose or broken.</li> <li>4. Pump and/or wheel motor is damaged.</li> <li>5. Control valve is damaged.</li> <li>6. Relief valve is damaged.</li> </ol>	<ol style="list-style-type: none"> <li>1. Move the lever to the 12 to 10 o'clock position.</li> <li>2. Add hydro fluid to reservoir.</li> <li>3. Contact Service Dealer.</li> <li>4. Contact Service Dealer.</li> <li>5. Contact Service Dealer.</li> <li>6. Contact Service Dealer.</li> </ol>
When at rest, loader arms creep downward more than 3" per hour (less than 3" an hour is normal for this traction unit).*	<ol style="list-style-type: none"> <li>1. Valve spool leakage</li> </ol>	<ol style="list-style-type: none"> <li>1. Contact Service Dealer.</li> </ol>

<b>PROBLEM</b>	<b>POSSIBLE CAUSES</b>	<b>CORRECTIVE ACTION</b>
When at rest, loader arms settle downward 2" quickly and then stop.*	<ol style="list-style-type: none"><li>1. Cylinder seals are leaking</li><li>2. Cylinder rephase valve is leaking</li></ol>	<ol style="list-style-type: none"><li>1. Replace seals.</li><li>2. Contact Service Dealer.</li></ol>



# The Toro Dingo Product Line Warranty

## A One-Year Limited Warranty

### Conditions and Products Covered

The Toro Company and its affiliate, Toro Warranty Company, pursuant to an agreement between them, jointly warrant your Toro Dingo Product ("Product") to be free from defects in materials or workmanship. The following time periods apply from the date the Product is delivered to the original retail purchaser:

<u>Products</u>	<u>Warranty Period</u>
• All traction units and attachments	1 year or 1000 operational hours, whichever occurs first
• All engines	2 years

Where a warrantable condition exists, we will repair the Product at no cost to you including diagnosis, labor, and parts.

### Instructions for Obtaining Warranty Service

If you think that your Toro Product contains a defect in materials or workmanship, follow this procedure:

1. Contact any Authorized Dingo Service Dealer to arrange service at their dealership. To locate a dealer convenient to you, access our website at [www.Toro.com](http://www.Toro.com). U.S. Customers may also call 800-348-2424.
2. Bring the product and your proof of purchase (sales receipt) to the Service Dealer.

If for any reason you are dissatisfied with the Service Dealer's analysis or with the assistance provided, contact us at:

LCB Customer Service Department  
 Toro Warranty Company  
 8111 Lyndale Avenue South  
 Bloomington, MN 55420-1196  
 888-577-7466 (U.S. customers)  
 877-484-9255 (Canada customers)

### Owner Responsibilities

You must maintain your Toro Product by following the maintenance procedures described in the operator's manual. Such routine maintenance, whether performed by a dealer or by you, is at your expense. Parts scheduled for replacement as required maintenance ("Maintenance Parts"), are warranted for the period of time up to the scheduled replacement time for that part. Failure to perform required maintenance and adjustments can be grounds for disallowing a warranty claim.

### Items and Conditions Not Covered

Not all product failures or malfunctions that occur during the warranty period are defects in materials or workmanship. This express warranty does not cover the following:

- Product failures which result from the use of non-Toro replacement parts, or from installation and use of add-on, modified, or unapproved accessories

### Countries Other than the United States or Canada

Customers who have purchased Toro products exported from the United States or Canada should contact their Toro Distributor (Dealer) to obtain guarantee policies for your country, province, or state. If for any reason you are dissatisfied with your Distributor's service or have difficulty obtaining guarantee information, contact the Toro importer. If all other remedies fail, you may contact us at Toro Warranty Company.

- Product failures which result from failure to perform required maintenance and/or adjustments
- Product failures which result from operating the Product in an abusive, negligent or reckless manner
- Parts subject to consumption through use unless found to be defective. Examples of parts which are consumed, or used up, during normal Product operation include, but are not limited to, digging teeth, tines, spark plugs, tires, tracks, filters, chains, etc.
- Failures caused by outside influence. Items considered to be outside influence include, but are not limited to, weather, storage practices, contamination, use of unapproved coolants, lubricants, additives, or chemicals, etc.
- Normal "wear and tear" items. Normal "wear and tear" includes, but is not limited to, worn painted surfaces, scratched decals or windows, etc.
- Any component covered by a separate manufacturer's warranty
- Pickup and delivery charges

### General Conditions

Repair by an Authorized Toro Service Dealer is your sole remedy under this warranty.

Neither The Toro Company nor Toro Warranty Company is liable for indirect, incidental or consequential damages in connection with the use of the Toro Products covered by this warranty, including any cost or expense of providing substitute equipment or service during reasonable periods of malfunction or non-use pending completion of repairs under this warranty.

Some states do not allow exclusions of incidental or consequential damages, or limitations on how long an implied warranty lasts, so the above exclusions and limitations may not apply to you.

This warranty gives you specific legal rights, and you may also have other rights which vary from state to state.

Except for the Emissions warranty referenced below, if applicable, there is no other express warranty. All implied warranties of merchantability and fitness for use are limited to the duration of this express warranty.

**Note to California residents:** The Emissions Control System on your Product may be covered by a separate warranty meeting requirements established by the U.S. Environmental Protection Agency (EPA) or the California Air Resources Board (CARB). The hour limitations set forth above do not apply to the Emissions Control System Warranty. Refer to the California Emission Control Warranty Statement printed in you operator's manual or contained in the engine manufacturer's documentation for details.