



Count on it.

Parts Catalog

**Trans Pro 200
Tow-Behind Trailer**

Model No. 04239—Serial No. 410500000 and Up



Ordering Replacement Parts

To order replacement parts, please supply the part number, the quantity, and the description of each part desired.

Understanding Reference Numbers

Each identified part in an illustration has a reference number. The reference number for a part also appears in the parts list, along with other information about the part.

This catalog uses two special reference number formats, one to indicate parts in a service assembly and another to indicate the quantity of a given part in an illustration.

Service Assembly Reference Numbers

Parts in service assemblies have reference numbers in the form a:b. The a represents the reference number of the entire service assembly and the b represents a sequential number unique to each part within the service assembly.

For example, a wheel assembly might be identified by reference number 6, the tire by 6:1, the valve by 6:2, and the wheel by 6:3. When you order the assembly identified by reference number 6, you receive all parts identified by reference numbers 6:1, 6:2, and 6:3. However, you may also order any part individually. Reference numbers of this type appear in illustration and in parts lists.

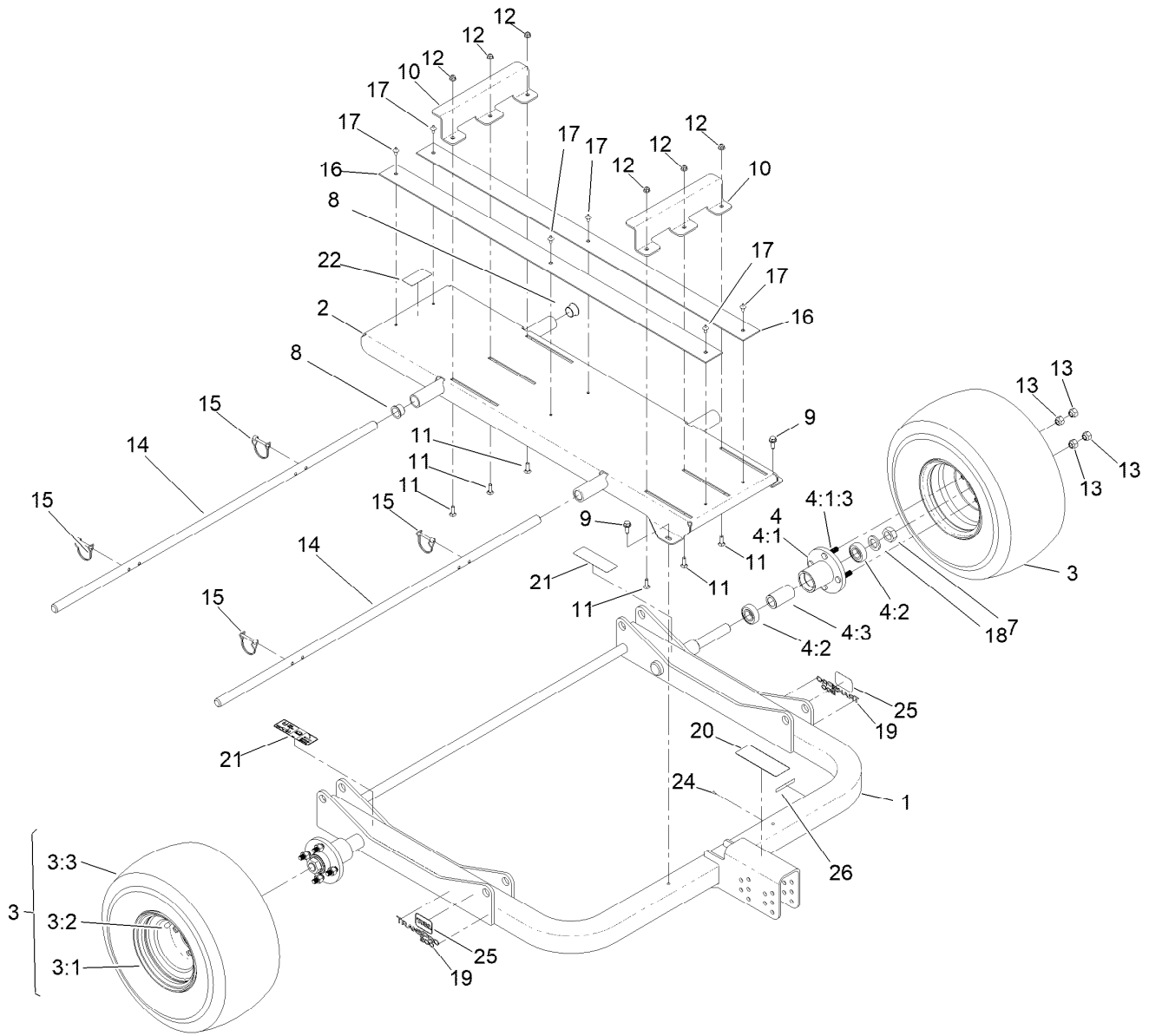
Reference Numbers Indicating Quantity

In an illustration, if a reference number indicates more than one part, the reference number has the form nX y. The n represents the quantity of the part, the X is the multiplication symbol, and the y represents the reference number.

For example, in an illustration, the reference number 2X 37 means that two of the parts identified by reference number 37 are indicated.

Contents

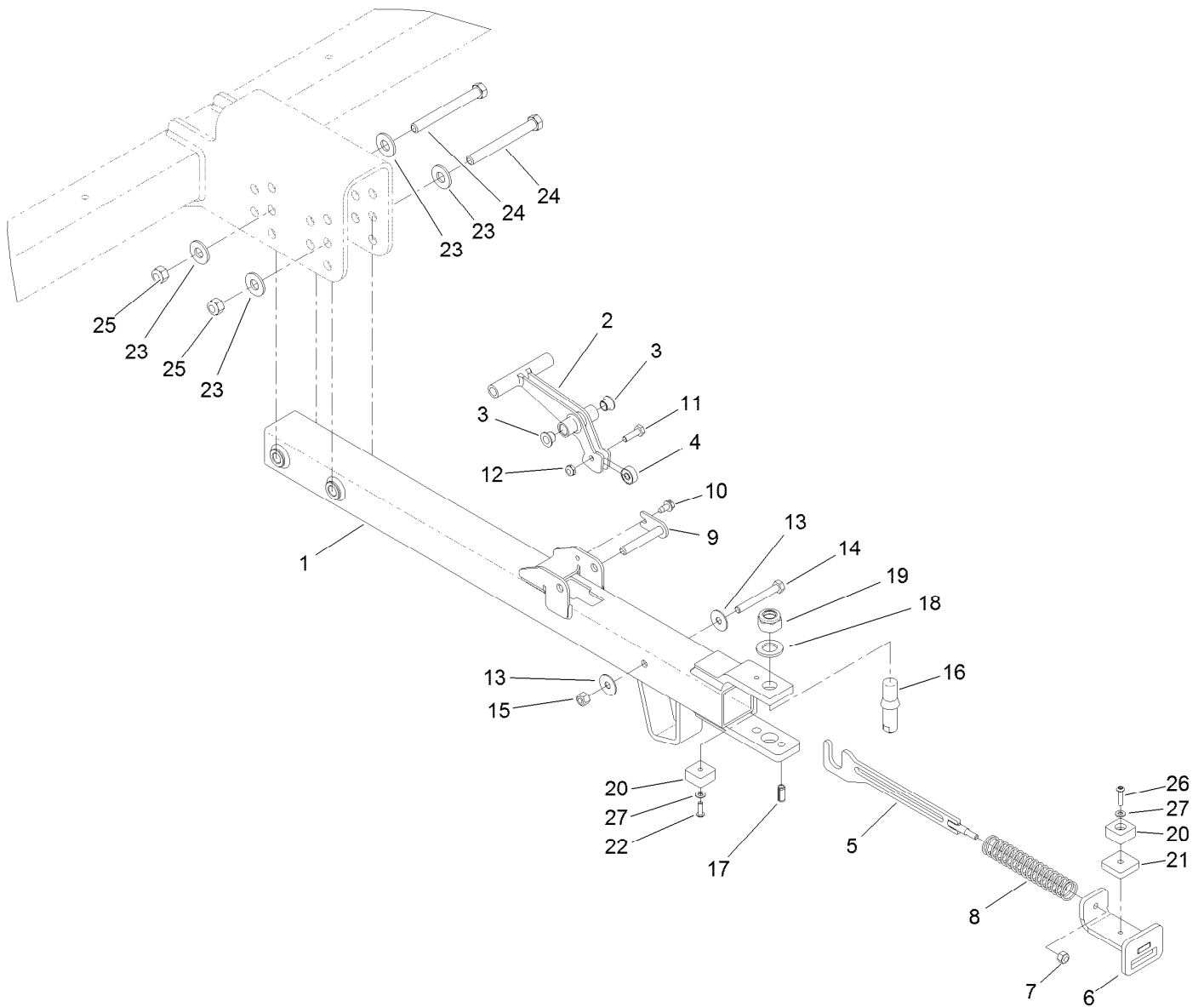
Pull Frame Assembly	4
Tongue Assembly	5
Attachments and Accessories	6



Pull Frame Assembly

Ref.	Part Number	Qty.	Description	Ref.	Part Number	Qty.	Description
1	140-7592SP	1	Frame-Main	11	3230-22	6	Screw-CARR
2	140-9612SP	1	Support-Center	12	104-8300	6	Nut-HF, NI
3	144-3664	2	Wheel-Assembly	13	242-50	8	Nut-Lug
3:1	137-2597	1	Rim	14	140-9689	2	Rod-Support
3:2	232-27	1	Stem-Valve	15	100-1663	4	Pin-Hitch
3:3	144-3665	1	Tire	16	140-5266	2	Pad-Strip, Roller
4		2	Hub-Wheel Assembly ●	17	144-5679	6	Rivet-Drive
4:1	144-5661	1	Wheel Hub ASM	18	86-1480	2	Washer
4:1:3	114-3918	4	Stud-Wheel	19	138-9738	2	Decal, Transpro 200
4:2	251-82	2	Bearing-Ball	20	140-5279	1	Decal-Danger
4:3	144-5662	1	Spacer-Bearing	21	140-5280	2	Decal-Tire Pressure, Torque
7	3296-49	2	Nut-Lock, NI	22	140-5281	1	Decal-Warning, No Riders
8	126-1492	2	Bearing-Flanged	24	3290-271	2	Rivet-Pop
9	126-1696	2	Screw-HWHTF	25	125-8214	2	Decal-Toro Logo
10	140-7570-03	2	Mount-Roller	26	133-8061	1	Decal-Warning

● Not serviced separately



Tongue Assembly

<i>Ref.</i>	<i>Part Number</i>	<i>Qty.</i>	<i>Description</i>	<i>Ref.</i>	<i>Part Number</i>	<i>Qty.</i>	<i>Description</i>
1	140-7504-01	1	Hitch [red]	15	3296-29	1	Nut-Lock, NI
2	140-7510	1	Handle	16	127-5861	1	Pin-Tow
3	137-2374	2	Bushing-Flange	17	32121-123	1	Pin-Roll
4	117-8772	1	Bearing-Ball	18	09491	1	Washer-Plain
5	140-7507	1	Lever ASM,	19	09456	1	Nut
6	132-4775-01	1	Bracket-Slide	20	94-1392	2	Pad-Rubber
7	3296-42	1	Nut-Lock, NI	21	140-7503	1	Plate-Spacer
8	144-5654	1	Spring-Compression	22	119-7568	1	Screw-HSBH
9	140-7513	1	Pin Flag	23	29-8910	6	Washer
10	120-9551	1	Screw-HWH	24	120-0922	2	Screw-HH
11	321-5	1	Screw-HH	25	3296-76	2	Nut-Lock, NI
12	3296-56	1	Nut-Lock, NI	26	119-7577	1	Screw-BHCS
13	108-4925	2	Washer	27	3256-51	2	Washer-Flat
14	322-12	1	Screw-HH				

Attachments and Accessories

For 04239 Trans Pro 200 Tow-Behind Trailer

Product Name	Model/Part
Kit-Axle, GR1000.....	144-5663
Kit-Axle, Flex 2120.....	144-5664
Kit-Axle, Flex 18/21.....	144-5668
Kit-Wheel, Bogey.....	145-0058

Notes:



Count on it.