



## Z153

### Z-Master<sup>®</sup> with 52" Side Discharge Mower

Model No. 74197—22000001 and Up

## Parts Catalog

---

### Ordering Replacement Parts

To order replacement parts, please supply: the part number, the quantity, and the description of each part desired.

### Understanding Reference Numbers

Each identified part in an illustration has a reference number. The reference number for a part also appears in the parts list, along with other information about the part.

This catalog uses two special reference number formats, one to indicate parts in a service assembly and another to indicate the quantity of a given part in an illustration.

### Service Assembly Reference Numbers

Parts in service assemblies have reference numbers in the form **a:b**. The **a** represents the reference number of the entire service assembly and the **b** represents a sequential number unique to each part within the service assembly.

For example, a wheel assembly might be identified by reference number **6**, the tire by **6:1**, the valve by **6:2**, and the wheel by **6:3**. When you order the assembly identified by reference number **6**, you receive all parts identified by reference numbers **6:1**, **6:2**, and **6:3**. However, you may also order any part individually.

Reference numbers of this type appear in illustrations and in part lists.

### Reference Numbers Indicating Quantity

In an illustration, if a reference number indicates more than one part, the reference number has the form **nX y**. The **n** represents the quantity of the part, the **X** is the multiplication symbol, and the **y** represents the reference number.

For example, in an illustration, the reference number **2X 37** means that two of the parts identified by reference number **37** are indicated.

## Contents

| <b>Description</b>                   | <b>Page</b> | <b>Description</b>                             | <b>Page</b> |
|--------------------------------------|-------------|--|-------------|
| Front Frame Assembly .....           | 3           | Pump, Idler and Belt Assembly .....            | 11          |
| Height of Cut Assembly .....         | 5           | Engine and Clutch Assembly .....               | 12          |
| Main Frame Assembly .....            | 6           | Electrical System Assembly .....               | 13          |
| Fuel System Assembly .....           | 7           | Deck Assembly .....                            | 14          |
| Parking Brake System Assembly .....  | 8           | Deck Spindle Assembly .....                    | 15          |
| Motion Control System Assembly ..... | 9           | Idler, Pulley/Lift Strut, Chain Assembly ..... | 16          |
| Hydraulic System Assembly .....      | 10          | Electrical Schematic .....                     | 17          |

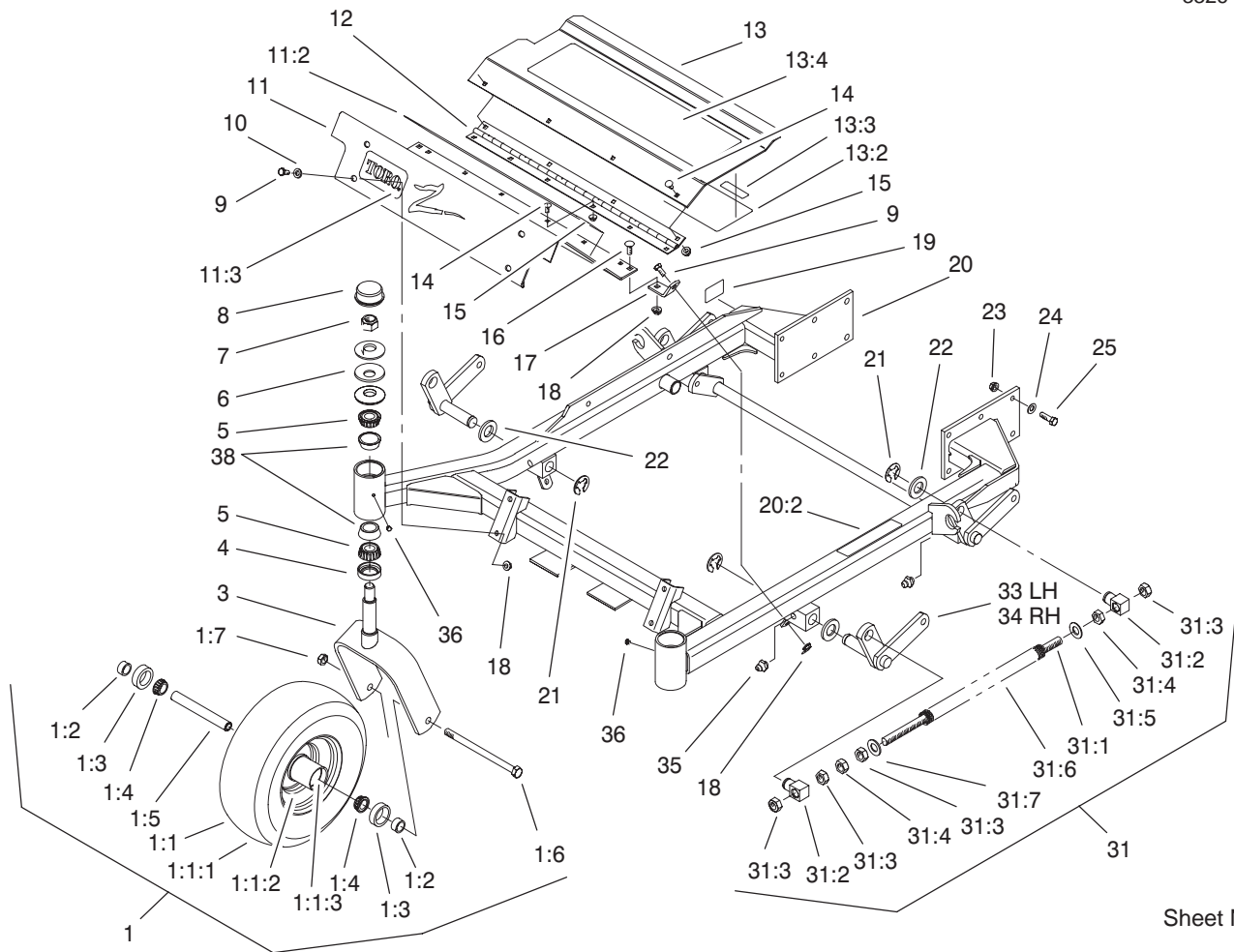
## Accessories

| <b>Description</b>                       | <b>Model / Part No.</b> | <b>Description</b>                      | <b>Model / Part No.</b> |
|--|-------------------------|---|-------------------------|
| 52" Deck Recycler Kit .....              | 59225                   | High Sail Blades                        |                         |
| 52" Mulching Kit .....                   | 59227                   | (3 required for improved bagging) ..... | 56-2390                 |
| 52" Striping Kit .....                   | 30121                   | Z-Stand Kit .....                       | 105-1621                |
| Blade Assembly-Atomic 18                 |                         | Steel Bagger .....                      | 30107                   |
| (3 required for improved mulching) ..... | 104-1301                | Hitch Kit .....                         | 99-8924                 |
| Seat-Suspension, High .....              | 99-8522                 |   |                         |

## Part Description Abbreviations

Part descriptions in this catalog may include the following abbreviations.

| <b>Abbreviation</b> | <b>Meaning</b>                    | <b>Abbreviation</b> | <b>Meaning</b>          |
|---------------------|-----------------------------------|---------------------|-------------------------|
| AR .....            | as required                       | HYD .....           | hydraulic               |
| ASM .....           | assembly                          | INC .....           | incorporated            |
| CARR .....          | carriage                          | LH .....            | left hand               |
| DEG .....           | degrees                           | NI .....            | nylon insert            |
| FH .....            | flat head                         | PPH .....           | Phillips pan head       |
| GA .....            | gauge                             | PTH .....           | Phillips truss head     |
| HF .....            | hex flange                        | PTO .....           | power take off          |
| HH .....            | hex head                          | RH .....            | right hand              |
| HHF .....           | hex head flange                   | SFH .....           | slotted fillister head  |
| HLH .....           | hex lag head                      | SHH .....           | slotted hex head        |
| HJ .....            | hex jam                           | SQH .....           | square head             |
| HOC .....           | height-of-cut                     | SHWH .....          | slotted hex washer head |
| HS .....            | hex socket                        | SPH .....           | slotted pan head        |
| HSBH .....          | hex socket button head            | SRH .....           | slotted round head      |
| HSFH .....          | hex socket flat head              | STD .....           | standard                |
| HSH .....           | hex socket head                   | TAP .....           | self tapping            |
| HWH .....           | hex washer head                   | TTH .....           | Torx truss head         |
| HWHTF .....         | hex washer head<br>thread forming | WH .....            | wing head               |

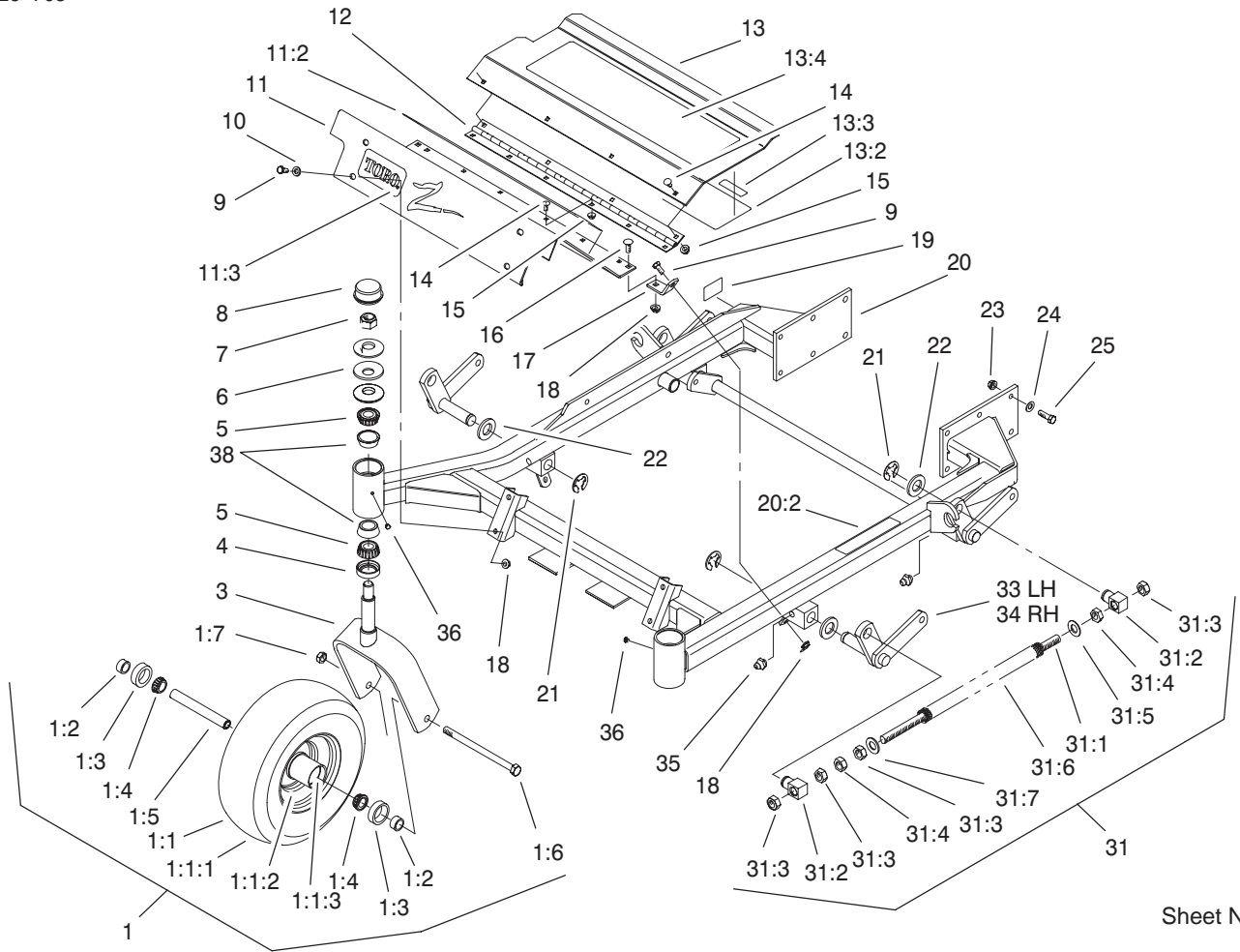


Sheet No.: 2

## Front Frame Assembly

| Ref. No. | Part No.    | Qty. | Description          |
|----------|-------------|------|----------------------|
| 1        | 1-634662    | 2    | Caster Wheel ASM     |
| 1:1      | 1-633582    | 1    | Wheel & Tire ASM     |
| 1:1:1    | 1-633002    | 1    | Tire                 |
| 1:1:2    | 1-633583    | 1    | Wheel                |
| 1:1:3    | 1-633584    | 2    | Bearing-Cup          |
| 1:2      | 1-633581    | 2    | Spacer-Bearing       |
| 1:3      | 1-633580    | 2    | Seal-Bearing         |
| 1:4      | 1-633585    | 2    | Bearing-Cone, Taper  |
| 1:5      | 1-633579    | 1    | Spacer-Caster, Front |
| 1:6      | 325-36      | 1    | Screw-HH             |
| 1:7      | 3296-45     | 1    | Nut-Lock, NI         |
| 3        | 1-632511-01 | 2    | Caster               |
| 4        | 1-543511    | 2    | Seal-Grease          |
| 5        | 254-94      | 4    | Bearing-Cone, Taper  |
| 6        | 1-633508    | 6    | Washer-Bellville     |
| 7        | 3296-51     | 2    | Nut-Lock, NI         |
| 8        | 1-543513    | 2    | Cap-Grease           |
| 9        | 322-3       | 6    | Screw-HH             |
| 10       | 3256-23     | 4    | Washer-Flat          |
| 11       | 99-3940     | 1    | Floorpan-Front       |
| 11:2     | 1-633553    | 1    | Pad-Antiskid         |
| 11:3     | 1-633737    | 1    | Decal-Z-Master       |
| 12       | 1-653049    | 1    | Hinge-Floorpan       |
| 13       | 99-3930     | 1    | Footrest ASM         |
| 13:2     | 99-3924     | 1    | Decal-Service        |
| 13:3     | 98-5954     | 1    | Decal-Missing, Cover |

| Ref. No. | Part No.   | Qty. | Description             |
|----------|------------|------|-------------------------|
| 13:4     | 1-633553   | 1    | Pad-Antiskid            |
| 14       | 3229-10    | 10   | Screw-CARR              |
| 15       | 32128-33   | 10   | Nut-HF                  |
| 16       | 3230-1     | 2    | Screw-CARR              |
| 17       | 99-3870-01 | 2    | Bracket-Floorpan        |
| 18       | 32128-20   | 8    | Nut-HF                  |
| 19       | 105-2625   | 1    | Decal-Safety STD        |
| 20       | 99-3931    | 1    | Front Frame ASM         |
| 20:2     | 1-633818   | 1    | Decal-Warning           |
| 21       | 32151-103  | 6    | Ring-Snap               |
| 22       | 3256-29    | 6    | Washer-Flat             |
| 23       | 3290-357   | 12   | Nut-HHF                 |
| 24       | 98-5975    | 12   | Washer-Bellville        |
| 25       | 323-7      | 12   | Screw-HH                |
| 31       | 103-1987   | 2    | ASM,Front Spring        |
| 31:1     | 1-653011   | 1    | Rod-Lift, Deck          |
| 31:2     | 1-633441   | 2    | Swivel-Deck Mount, Rear |
| 31:3     | 3217-11    | 4    | Nut-Hex                 |
| 31:4     | 3218-6     | 2    | Nut-Ham                 |
| 31:5     | 1-805517   | 1    | Washer                  |
| 31:6     | 1-653009   | 1    | Spring-Compression      |
| 31:7     | 3256-27    | 1    | Washer-Flat             |
| 33       | 99-3871-01 | 1    | LH Lift Arm ASM         |
| 34       | 99-3872-01 | 1    | RH Lift Arm ASM         |
| 35       | 302-19     | 4    | Fitting-Grease          |

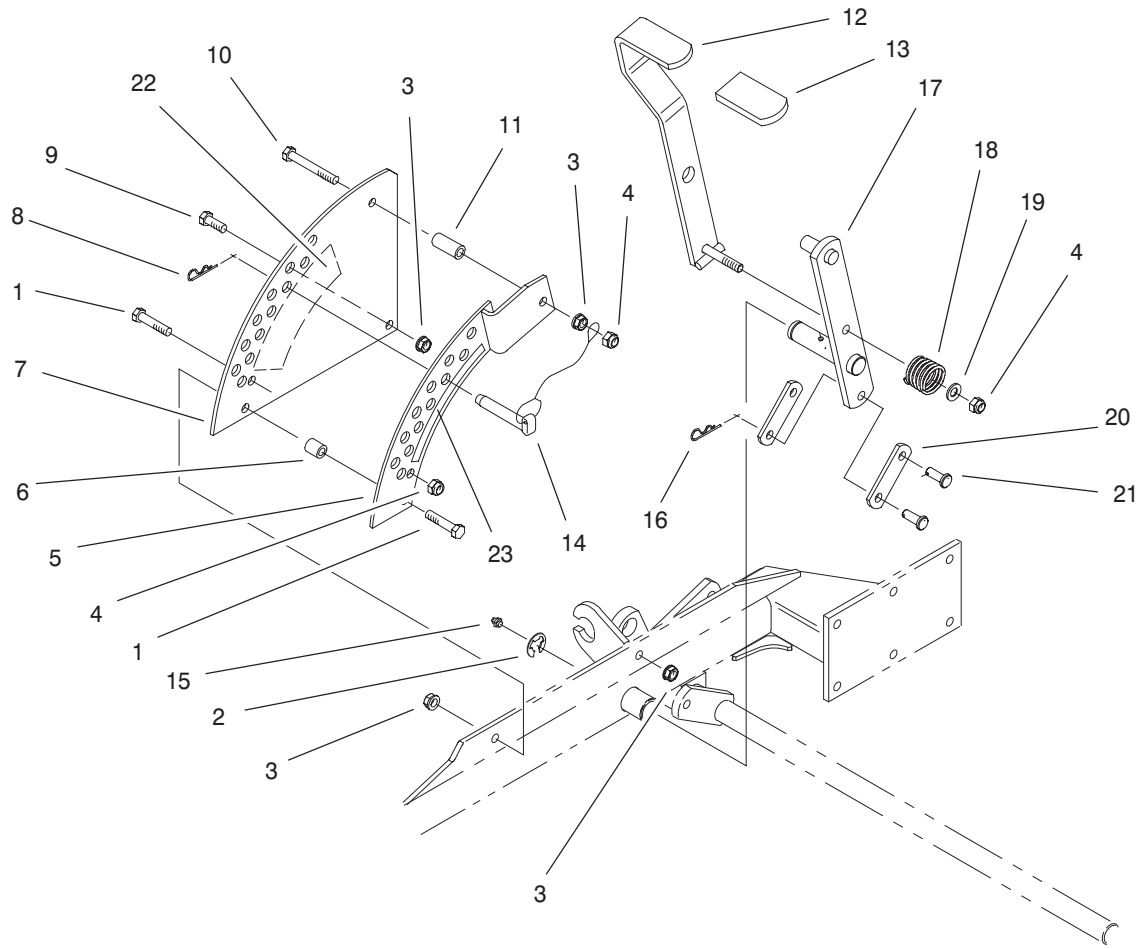


Sheet No.: 2

## Front Frame Assembly

| Ref. No. | Part No. | Qty. | Description          |
|----------|----------|------|----------------------|
| 36       | 1-811010 | 2    | Plug                 |
| 38       | 254-72   | 4    | Bearing-Cup, Tapered |

| Ref. No. | Part No. | Qty. | Description |
|----------|----------|------|-------------|
|----------|----------|------|-------------|

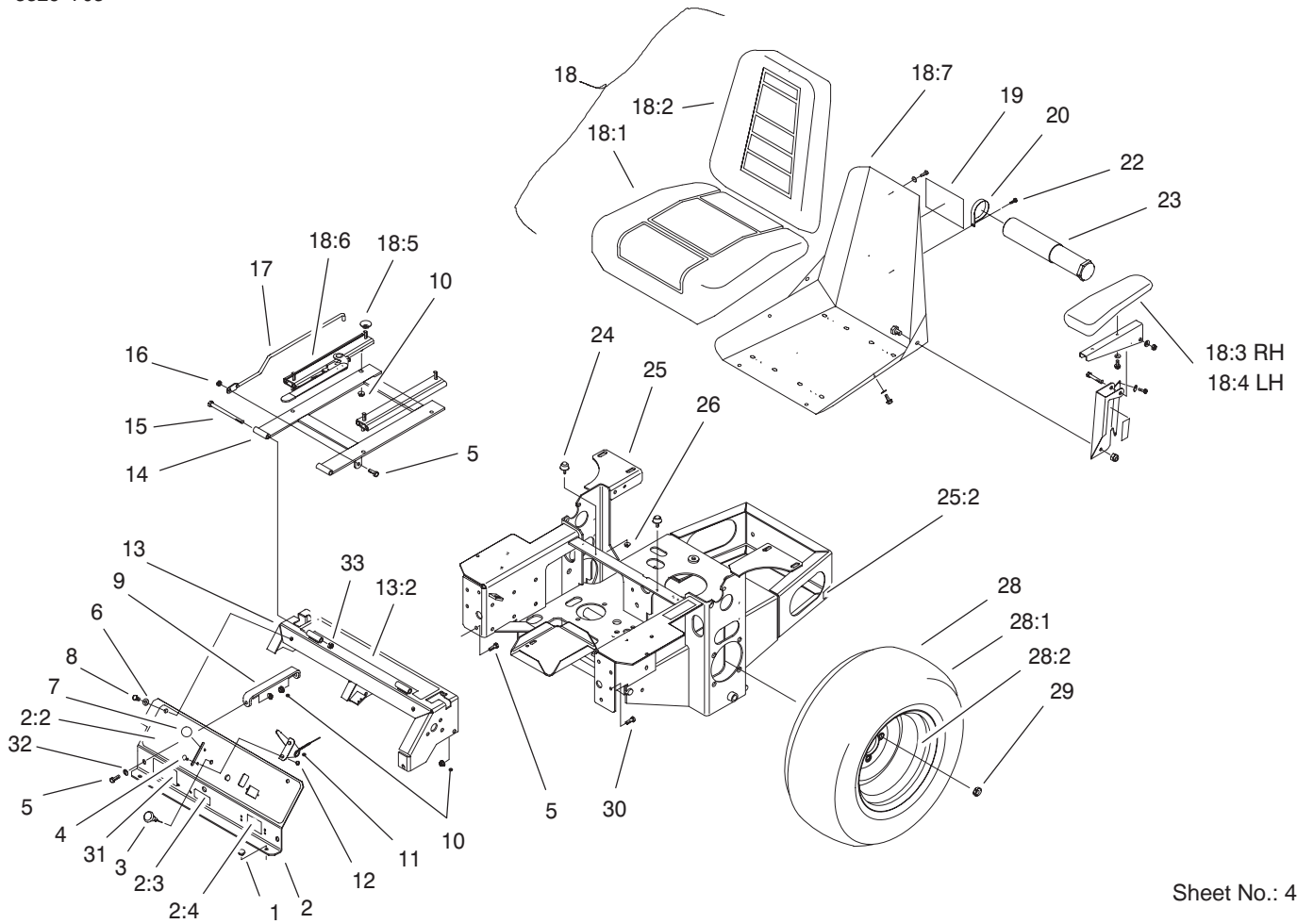


Sheet No.: 3

## Height of Cut Assembly

| Ref. No. | Part No.    | Qty. | Description              |
|----------|-------------|------|--------------------------|
| 1        | 323-9       | 2    | Screw-HH                 |
| 2        | 32151-103   | 1    | Ring-Snap                |
| 3        | 3290-357    | 3    | Nut-HHF                  |
| 4        | 3296-39     | 3    | Nut-Lock, NI             |
| 5        | 1-652235-01 | 1    | Plate-Lift, Deck         |
| 6        | 1-633080    | 1    | Bushing-Lever, Lift      |
| 7        | 1-653230-01 | 1    | Plate-Lift, Deck         |
| 8        | 1-806005    | 1    | Pin-Cotter               |
| 9        | 323-6       | 1    | Screw-HH                 |
| 10       | 323-13      | 1    | Screw-HH                 |
| 11       | 1-633082    | 1    | Bushing-Lever, Lift      |
| 12       | 103-2078-03 | 1    | Handle-Lift              |
| 13       | 1-633295    | 1    | Grip-Lever, Lift         |
| 14       | 1-633097    | 1    | Pin-Hitch W/Lanyard      |
| 15       | 302-19      | 1    | Fitting-Grease           |
| 16       | 1-806003    | 2    | Pin-Cotter, Hair         |
| 17       | 99-3922-03  | 1    | Arm-Lift                 |
| 18       | 1-633325    | 1    | Spring-Compression       |
| 19       | 3256-24     | 1    | Washer-Flat              |
| 20       | 1-633068    | 2    | Arm-Lift, Deck           |
| 21       | 1-808284    | 2    | Pin-Clevis               |
| 22       | 1-653140    | 1    | Decal, Deck Height Outer |
| 23       | 1-653147    | 1    | Decal-Deck Height, Inner |

| Ref. No. | Part No. | Qty. | Description |
|----------|----------|------|-------------|
|          |          |      |             |
|          |          |      |             |
|          |          |      |             |
|          |          |      |             |
|          |          |      |             |
|          |          |      |             |
|          |          |      |             |
|          |          |      |             |
|          |          |      |             |
|          |          |      |             |
|          |          |      |             |

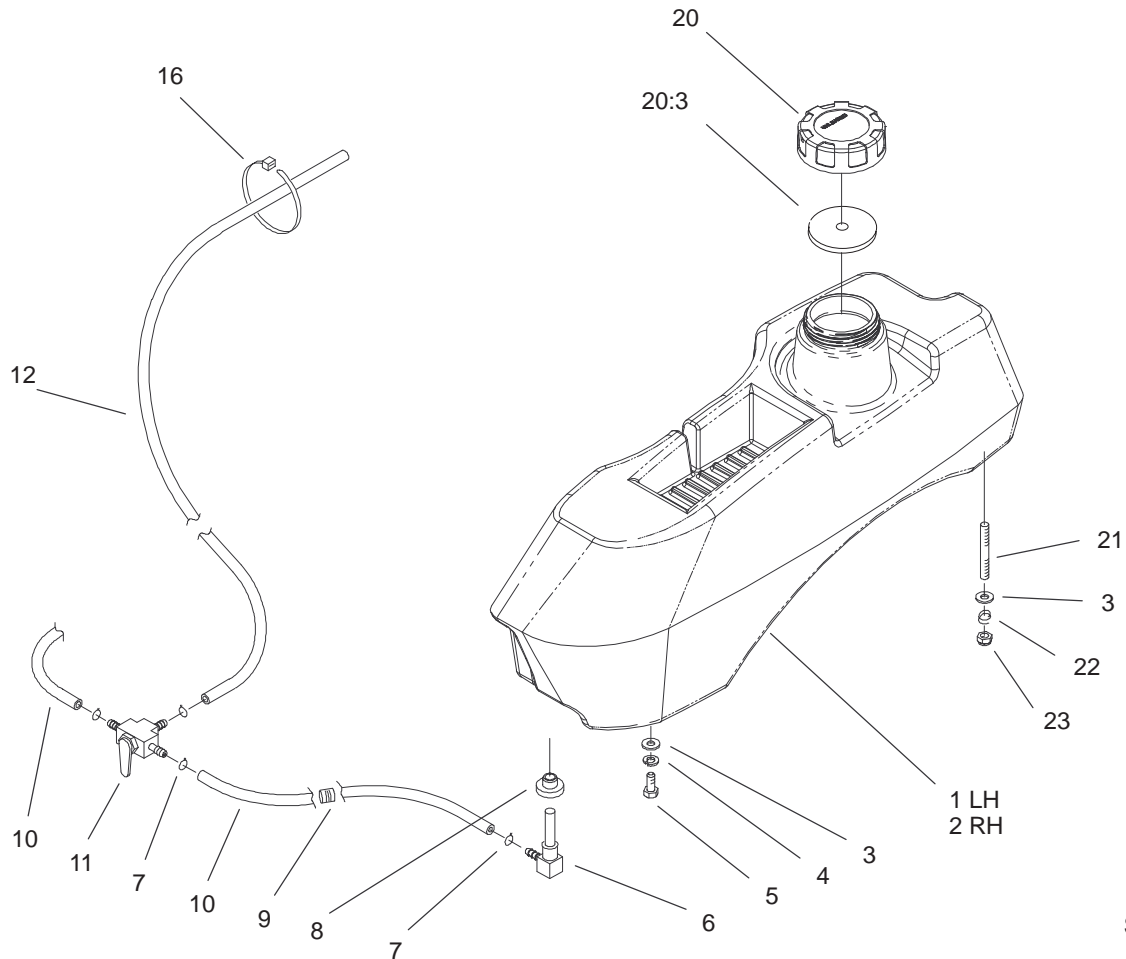


Sheet No.: 4

## Main Frame Assembly

| Ref. No. | Part No.    | Qty. | Description           |
|----------|-------------|------|-----------------------|
| 1        | 1-513658    | 2    | Bumper-Catcher, Grass |
| 2        | 99-3932     | 1    | Control Panel ASM     |
| 2:2      | 99-3942     | 1    | Decal-Panel, Control  |
| 2:3      | 103-0262    | 1    | Decal-Valve, Fuel     |
| 2:4      | 98-4387     | 1    | Decal-Protection, Ear |
| 3        | 1-603336    | 1    | Control-Choke         |
| 4        | 1-807513    | 2    | Bolt-CARR             |
| 5        | 322-5       | 3    | Screw-HH              |
| 6        | 3256-23     | 2    | Washer-Flat           |
| 7        | 1-513592    | 1    | Knob-Ball, Red        |
| 8        | 322-3       | 3    | Screw-HH              |
| 9        | 1-653089-03 | 1    | Bracket               |
| 10       | 32128-20    | 12   | Nut-HF                |
| 11       | 1-633696    | 1    | Cable-Throttle        |
| 12       | 3296-2      | 2    | Nut-Lock              |
| 13       | 105-6123    | 1    | Console ASM           |
| 13:2     | 103-1997    | 1    | Decal-Top Console     |
| 14       | 1-632187-03 | 1    | Frame-Seat            |
| 15       | 323-39      | 2    | Screw-HH              |
| 16       | 3296-29     | 1    | Nut-Lock, NI          |
| 17       | 103-1731    | 1    | Rod, Seat Retainer    |
| 18       | 1-633705    | 1    | Seat W/Tracks         |
| 18:1     | 103-0290    | 1    | Cushion-Bottom, Seat  |
| 18:2     | 104-7754    | 1    | Cushion-Back, Seat    |
| 18:3     | 1-633710    | 1    | Cushion-Armrest, RH   |

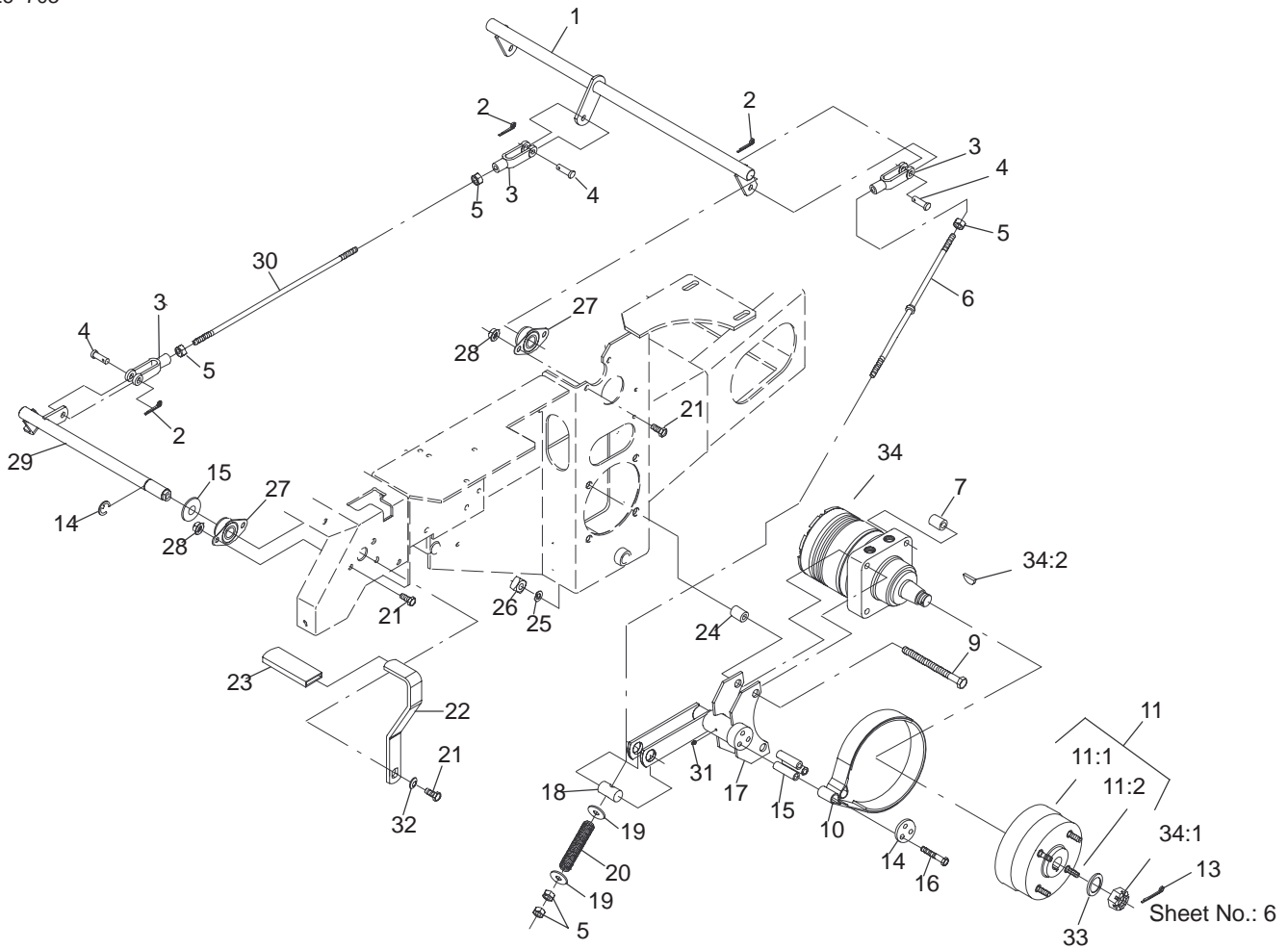
| Ref. No. | Part No. | Qty. | Description         |
|----------|----------|------|---------------------|
| 18:4     | 1-633711 | 1    | Cushion-Armrest, LH |
| 18:5     | 1-543401 | 4    | Spacer-Track        |
| 18:6     | 1-643255 | 1    | Grip-Track, Seat    |
| 18:7     | 1-633859 | 1    | Frame-Seat          |
| 19       | 99-4693  | 1    | Decal-Toro          |
| 20       | 2412-120 | 2    | R-Clamp             |
| 22       | 32104-76 | 2    | Screw               |
| 23       | 74-0720  | 1    | Tube-Manual         |
| 24       | 1-523420 | 2    | Bumper              |
| 25       | 105-6121 | 1    | Main Frame ASM      |
| 25:2     | 65-2690  | 2    | Decal-Surface, Hot  |
| 26       | 3296-42  | 2    | Nut-Lock, NI        |
| 28       | 1-653159 | 2    | ASM, Wheel & Tire   |
| 28:1     | 1-653160 | 1    | Tire                |
| 28:2     | 1-653161 | 1    | Wheel               |
| 29       | 242-50   | 8    | Nut-Lug             |
| 30       | 322-2    | 6    | Screw-HH            |
| 31       | 100-3969 | 1    | Decal-Z153          |
| 32       | 3256-3   | 2    | Washer-Flat         |
| 33       | 3296-39  | 2    | Nut-Lock, NI        |



Sheet No.: 5

## Fuel System Assembly

| Ref. No. | Part No. | Qty. | Description         | Ref. No. | Part No. | Qty. | Description |
|----------|----------|------|---------------------|----------|----------|------|-------------|
| 1        | 104-5120 | 1    | Tank-Fuel, LH       |          |          |      |             |
| 2        | 104-5121 | 1    | Tank-Fuel, RH       |          |          |      |             |
| 3        | 3256-23  | 8    | Washer-Flat         |          |          |      |             |
| 4        | 1-805005 | 4    | Washer-Lock         |          |          |      |             |
| 5        | 322-3    | 4    | Screw-HH            |          |          |      |             |
| 6        | 1-543277 | 2    | Elbow-Tank, Fuel    |          |          |      |             |
| 7        | 1-303077 | 6    | Clamp-Line, Fuel    |          |          |      |             |
| 8        | 1-513645 | 2    | Bushing-Valve, Fuel |          |          |      |             |
| 9        | 1-543296 | 2    | Grommet-Line, Fuel  |          |          |      |             |
| 10       | 1-543526 | 2    | Hose-Fuel           |          |          |      |             |
| 11       | 1-633347 | 1    | Valve-Fuel          |          |          |      |             |
| 12       | 103-0216 | 1    | Hose-Fuel           |          |          |      |             |
| 16       | 1-303335 | 1    | Tie-Plastic         |          |          |      |             |
| 20       | 88-3980  | 2    | Gas Cap ASM         |          |          |      |             |
| 20:3     | 88-4010  | 1    | Gasket-Cap, Gas     |          |          |      |             |
| 21       | 1-633023 | 4    | Stud                |          |          |      |             |
| 22       | 1-633349 | 4    | Spring-Tank, Fuel   |          |          |      |             |
| 23       | 3296-47  | 4    | Nut-Lock, NI        |          |          |      |             |



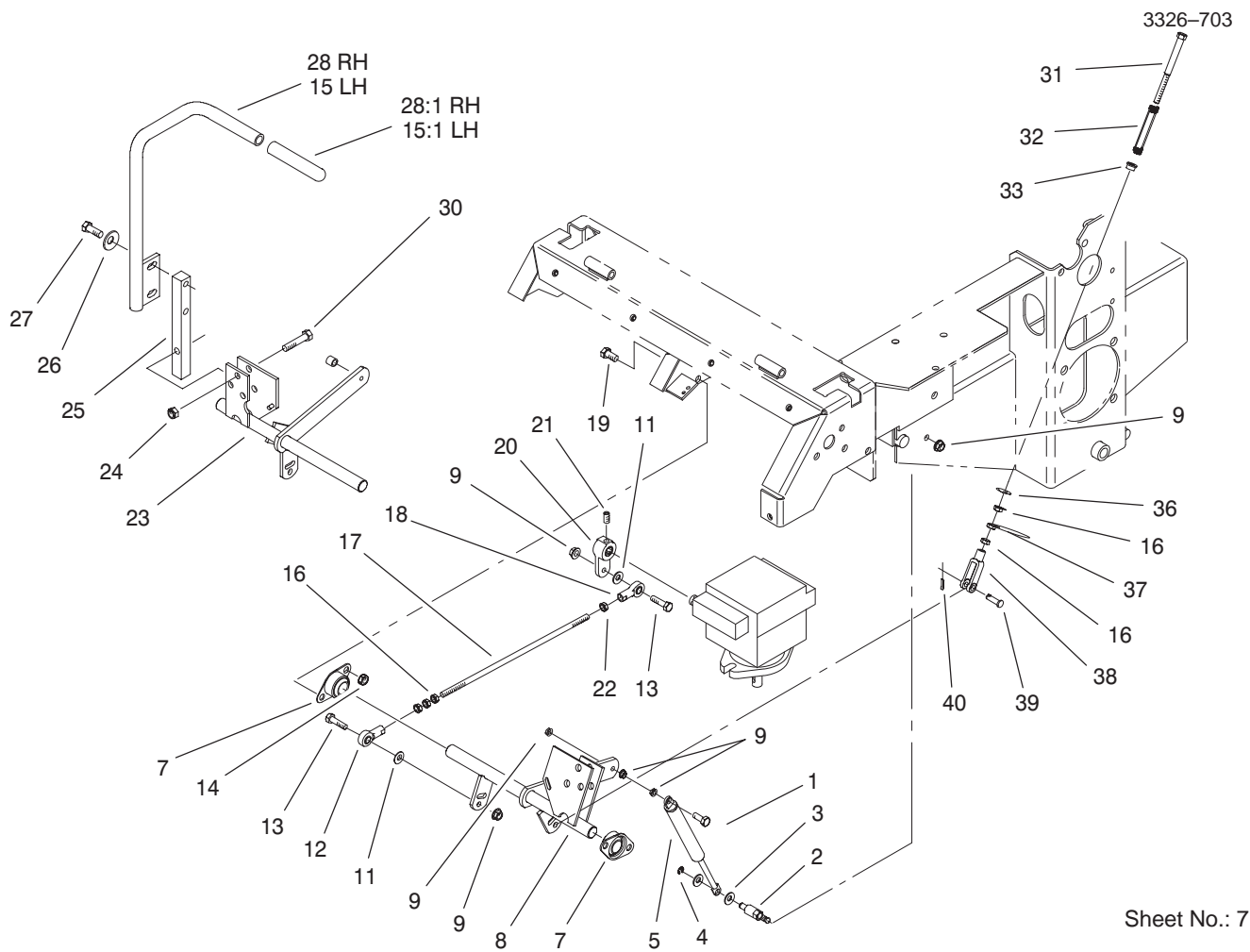
Sheet No.: 6

## Parking Brake System Assembly

| Ref. No. | Part No.    | Qty. | Description          |
|----------|-------------|------|----------------------|
| 1        | 1-652073-03 | 1    | Crank-Brake, Park    |
| 2        | 3272-10     | 4    | Pin-Cotter           |
| 3        | 1-633131    | 4    | Yoke-Linkage, Brake  |
| 4        | 1-808285    | 4    | Pin-Clevis           |
| 5        | 3219-3      | 8    | Nut-HH               |
| 6        | 103-0356    | 2    | Rod-Brake            |
| 7        | 1-653068    | 4    | Spacer-Wheel         |
| 9        | 325-13      | 8    | Screw-HH             |
| 10       | 103-0355    | 2    | Band-Brake           |
| 11       | 103-0590    | 2    | Hub-Wheel W/Studs    |
| 11:1     | 103-0589    | 1    | Hub-Wheel            |
| 11:2     | 1-633926    | 4    | Stud-Wheel           |
| 13       | 1-806800    | 2    | Pin-Cotter           |
| 14       | 103-0374    | 2    | Retainer-Band, Brake |
| 15       | 103-0384    | 6    | Spacer               |
| 16       | 322-9       | 6    | Screw-HH             |
| 17       | 103-0352-03 | 2    | Bracket-Brake        |
| 18       | 1-633144    | 2    | Pin-Trunion          |
| 19       | 3256-4      | 4    | Washer-Flat          |
| 20       | 1-633454    | 2    | Spring-Brake         |
| 21       | 323-4       | 9    | Screw-HH             |
| 22       | 1-653074-03 | 1    | Handle-Brake, Park   |
| 23       | 1-633268    | 1    | Grip-Lever, Brake    |
| 24       | 1-653069    | 4    | Spacer-Wheel         |
| 25       | 3253-7      | 8    | Washer-Lock          |
| 26       | 103-0131    | 8    | Nut-Square           |

| Ref. No. | Part No. | Qty. | Description           |
|----------|----------|------|-----------------------|
| 27       | 1-633102 | 4    | Bearing-Flange, Side  |
| 28       | 3290-357 | 8    | Nut-HHF               |
| 29       | 1-652085 | 1    | Shaft-Brake, Parking  |
| 30       | 1-653061 | 1    | Linkage-Handle, Brake |
| 31       | 1481     | 2    | Fitting-Grease        |
| 32       | 98-5975  | 1    | Washer-Belleville     |
| 33       | 1-523157 | 2    | Washer-Spacer         |
| 34       | 1-523328 | 2    | Motor-Wheel           |
| 34:1     | 1-809036 | 1    | Nut-HH                |
| 34:2     | 3257-42  | 1    | Key-Woodruff          |
| *34:99   | 1-000099 | 1    | Kit-Seal              |
| *34:99   | 1-000139 | 1    | Kit-Bearing           |

\* Not illustrated

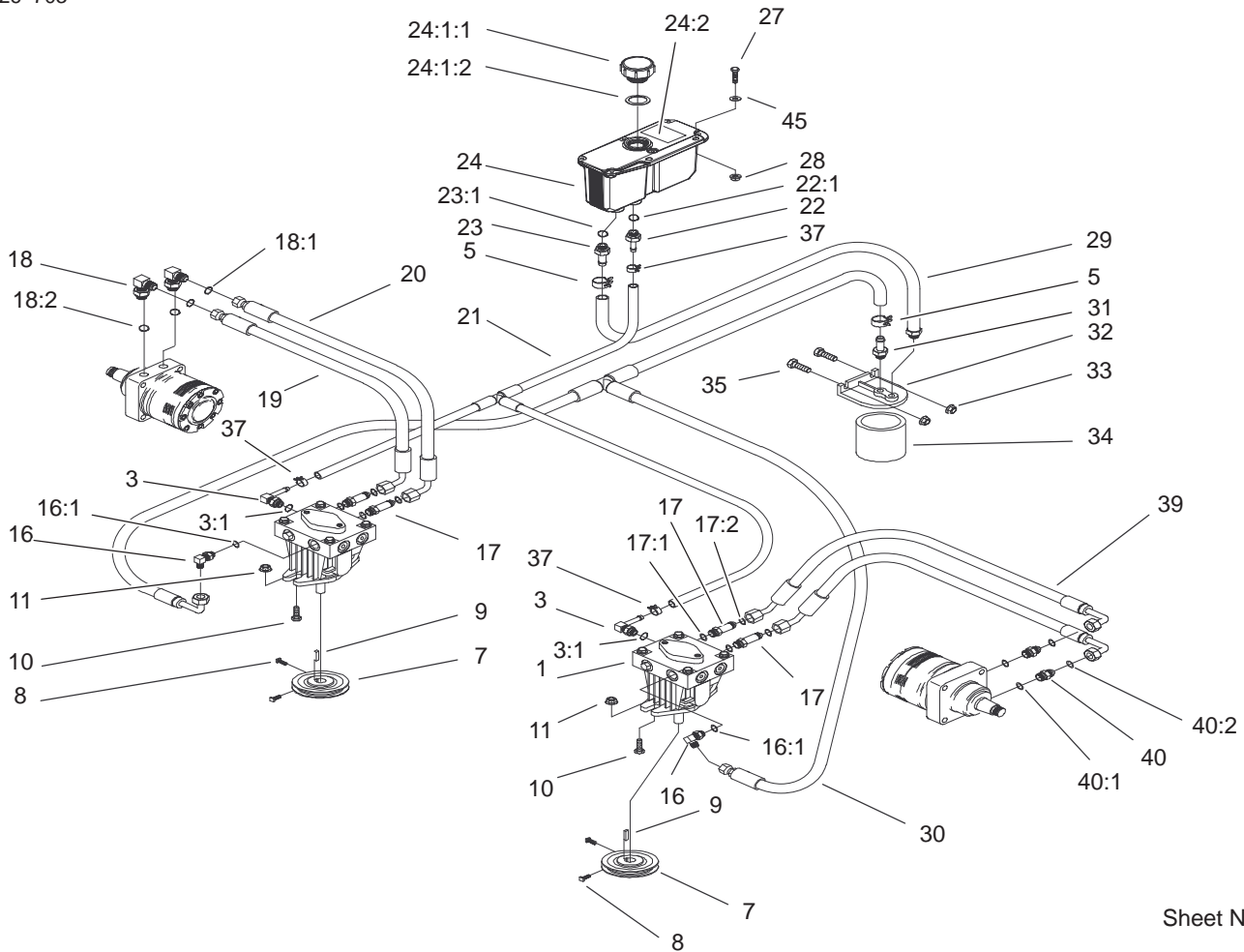


Sheet No.: 7

## Motion Control System Assembly

| Ref. No. | Part No. | Qty. | Description              |
|----------|----------|------|--------------------------|
| 1        | 1-403180 | 2    | Screw-HH                 |
| 2        | 1-653316 | 2    | Pin-Dampner              |
| 3        | 3256-23  | 4    | Washer-Flat              |
| 4        | 32120-35 | 2    | E-Ring                   |
| 5        | 1-523027 | 2    | Damper-Control           |
| 7        | 1-633102 | 4    | Bearing-Flange, Side     |
| 8        | 103-2199 | 1    | LH Motion Control<br>ASM |
| 9        | 32128-20 | 12   | Nut-HF                   |
| 11       | 3256-3   | 4    | Washer-Flat              |
| 12       | 1-543017 | 2    | Balljoint-RH             |
| 13       | 322-6    | 4    | Screw-HH                 |
| 14       | 3290-357 | 8    | Nut-HHF                  |
| 15       | 103-0631 | 1    | LH Lever ASM             |
| 15:1     | 1-633257 | 1    | Grip-Control, Motion     |
| 16       | 3219-2   | 10   | Nut-Hex                  |
| 17       | 1-653046 | 2    | Linkage-Pump/Lever       |
| 18       | 1-633152 | 2    | Balljoint-Thread, LH     |
| 19       | 323-4    | 8    | Screw-HH                 |
| 20       | 1-653092 | 2    | Arm-Control, Pump        |
| 21       | 1-803022 | 2    | Screw                    |
| 22       | 1-804524 | 2    | Nut                      |
| 23       | 103-2200 | 1    | RH Motion Control<br>ASM |
| 24       | 3296-39  | 6    | Nut-Lock, NI             |
| 25       | 103-0407 | 2    | Arm-Shaft, Control       |

| Ref. No. | Part No. | Qty. | Description               |
|----------|----------|------|---------------------------|
| 26       | 98-5975  | 4    | Washer-Belleville         |
| 27       | 323-6    | 4    | Screw-HH                  |
| 28       | 103-0632 | 1    | RH Lever ASM              |
| 28:1     | 1-633257 | 1    | Grip-Control, Motion      |
| 30       | 323-9    | 6    | Screw-HH                  |
| 31       | 1-603737 | 2    | Bolt-Return, Neutral      |
| 32       | 1-603807 | 2    | Spring-Return,<br>Neutral |
| 33       | 1-603735 | 2    | Bushing-Flanged           |
| 36       | 3256-2   | 2    | Washer-Flat               |
| 37       | 3220-2   | 2    | Nut                       |
| 38       | 1-303105 | 2    | Yoke-Adjustable           |
| 39       | 1-808280 | 2    | Pin-Clevis                |
| 40       | 3272-5   | 2    | Pin-Cotter                |



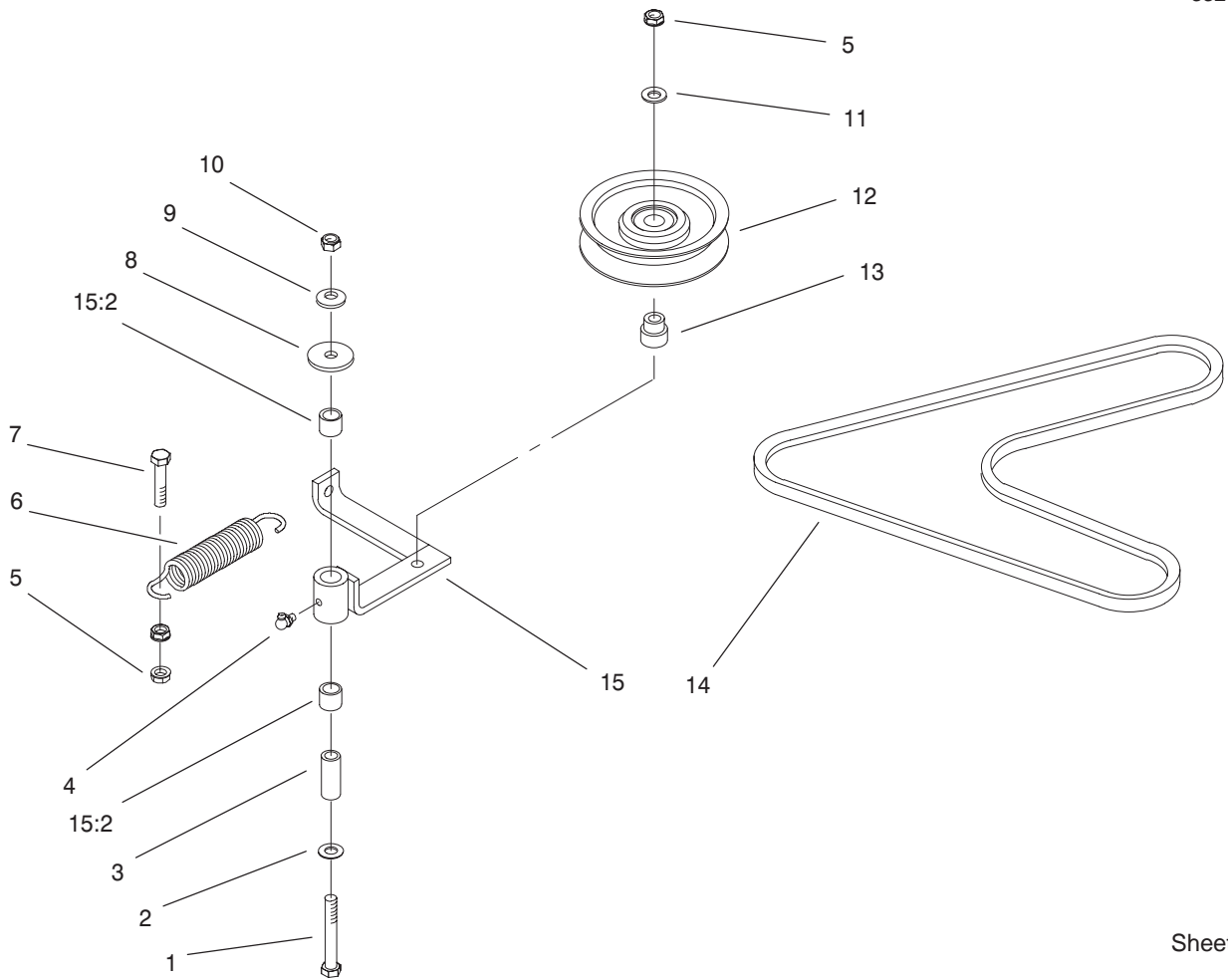
Sheet No.: 8

## Hydraulic System Assembly

| Ref. No. | Part No. | Qty. | Description       |
|----------|----------|------|-------------------|
| 1        | 103-1942 | 2    | Pump-Hydraulic    |
| 3        | 103-1799 | 2    | Elbow-90°         |
| 3:1      | 237-42   | 1    | O-Ring            |
| 5        | 103-1988 | 2    | Clamp-Hose        |
| 7        | 1-413010 | 2    | Sheave,4.25 W/Hub |
| 8        | 1-803050 | 4    | Screw-Set         |
| 9        | 1-807272 | 2    | Key-Machine       |
| 10       | 323-7    | 4    | Screw-HH          |
| 11       | 3290-357 | 4    | Nut-HHF           |
| 16       | 103-1802 | 2    | Elbow-90°         |
| 16:1     | 237-42   | 1    | O-Ring            |
| 17       | 103-1940 | 4    | Adapter,Straight  |
| 17:1     | 237-79   | 1    | O-Ring            |
| 17:2     | 1-603992 | 1    | O-Ring            |
| 18       | 1-633605 | 2    | Fitting-Connector |
| 18:1     | 1-603992 | 1    | O-Ring            |
| 18:2     | 237-80   | 1    | O-Ring            |
| 19       | 1-653186 | 1    | Hose,Front        |
| 20       | 1-653187 | 1    | Hose,RH Rear      |
| 21       | 103-1800 | 1    | HYD Hose ASM      |
| 22       | 103-1801 | 1    | Adapter-Straight  |
| 22:1     | 237-42   | 1    | O-Ring            |
| 23       | 103-1912 | 1    | Adapter,Straight  |
| 23:1     | 237-42   | 1    | O-Ring            |
| 24       | 103-1947 | 1    | HYD Reservoir ASM |
| ☆24:1    |          | 1    | HYD Reservoir ASM |

| Ref. No. | Part No. | Qty. | Description           |
|----------|----------|------|-----------------------|
| 24:1:1   | 103-1948 | 1    | Cap-Tank, Hydraulic   |
| 24:1:2   | 103-1949 | 1    | Gasket,Tank Cap       |
| 24:2     | 1-523552 | 1    | Decal-Tank, Hydraulic |
| 27       | 321-14   | 2    | Screw-HH              |
| 28       | 32128-33 | 2    | Nut-HF                |
| 29       | 103-1805 | 1    | HYD Hose ASM          |
| 30       | 103-1803 | 1    | HYD Hose ASM          |
| 31       | 103-1804 | 1    | Adapter-Straight      |
| 32       | 1-603720 | 1    | Head-Filter           |
| 33       | 32128-20 | 2    | Nut-HF                |
| 34       | 1-633750 | 1    | Filter-HYD            |
| 34       | 1-633752 | 1    | Filter-HYD, Winter    |
| 35       | 322-5    | 2    | Screw-HH              |
| 37       | 103-1716 | 3    | Clamp-Hose            |
| 39       | 103-1680 | 2    | Hose-LH               |
| 40       | 1-603991 | 2    | Fitting-Straight      |
| 40:1     | 237-80   | 1    | O-Ring                |
| 40:2     | 1-603992 | 1    | O-Ring                |
| 45       | 3256-22  | 2    | Washer-Flat           |

☆ Not serviced

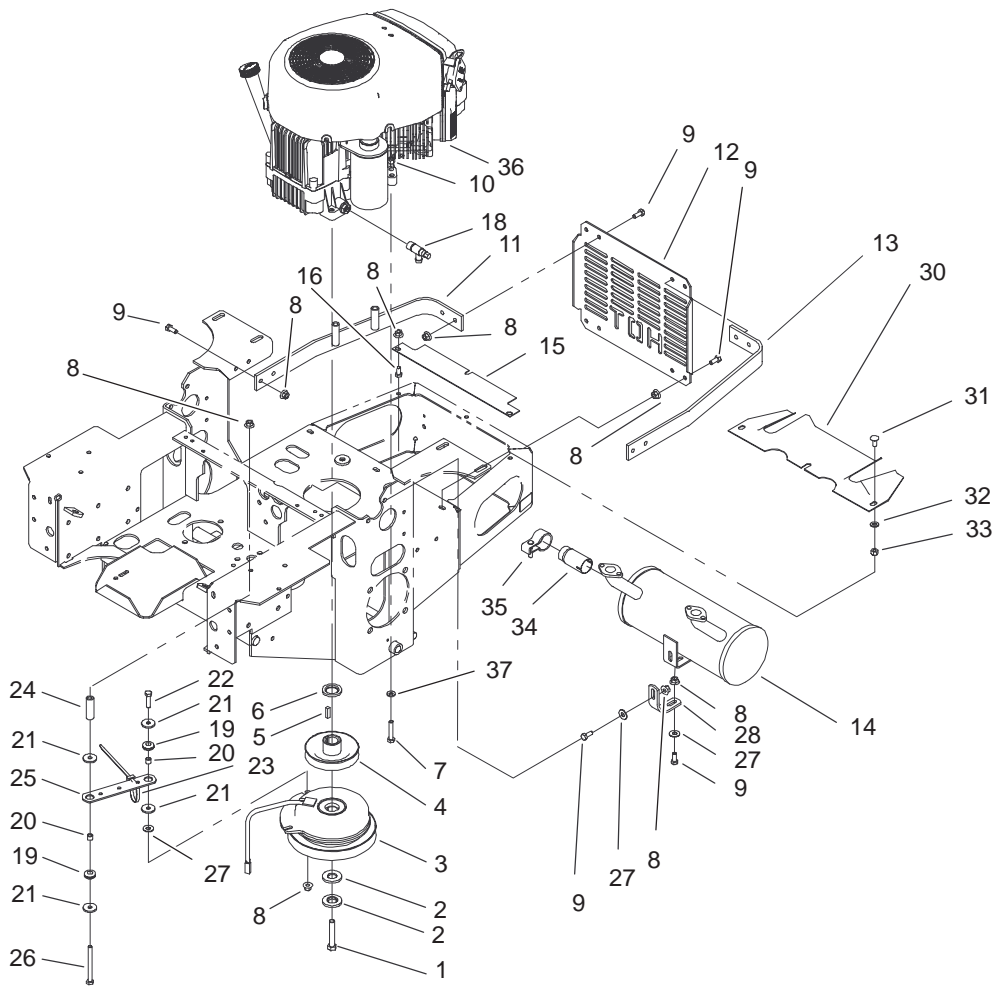


Sheet No.: 9

### Pump, Idler and Belt Assembly

| Ref. No. | Part No. | Qty. | Description       |
|----------|----------|------|-------------------|
| 1        | 323-13   | 1    | Screw-HH          |
| 2        | 3256-4   | 1    | Washer-Flat       |
| 3        | 1-603044 | 1    | Bushing           |
| 4        | 302-40   | 1    | Fitting-Grease    |
| 5        | 3290-357 | 3    | Nut-HHF           |
| 6        | 103-1767 | 1    | Spring-Extension  |
| 7        | 323-9    | 2    | Screw-HH          |
| 8        | 1-373034 | 1    | Washer-Swivel     |
| 9        | 98-5975  | 1    | Washer-Belleville |
| 10       | 3296-39  | 1    | Nut-Lock, NI      |
| 11       | 3256-24  | 1    | Washer-Flat       |
| 12       | 1-603843 | 1    | Pulley-Idler      |
| 13       | 1-603496 | 1    | Bushing-Idler     |
| 14       | 1-653580 | 1    | Belt-Pump         |
| 15       | 1-654143 | 1    | Idler Arm         |
| 15:2     | 1-513034 | 2    | Sleeve-Bearing    |

| Ref. No. | Part No. | Qty. | Description |
|----------|----------|------|-------------|
|          |          |      |             |
|          |          |      |             |
|          |          |      |             |
|          |          |      |             |



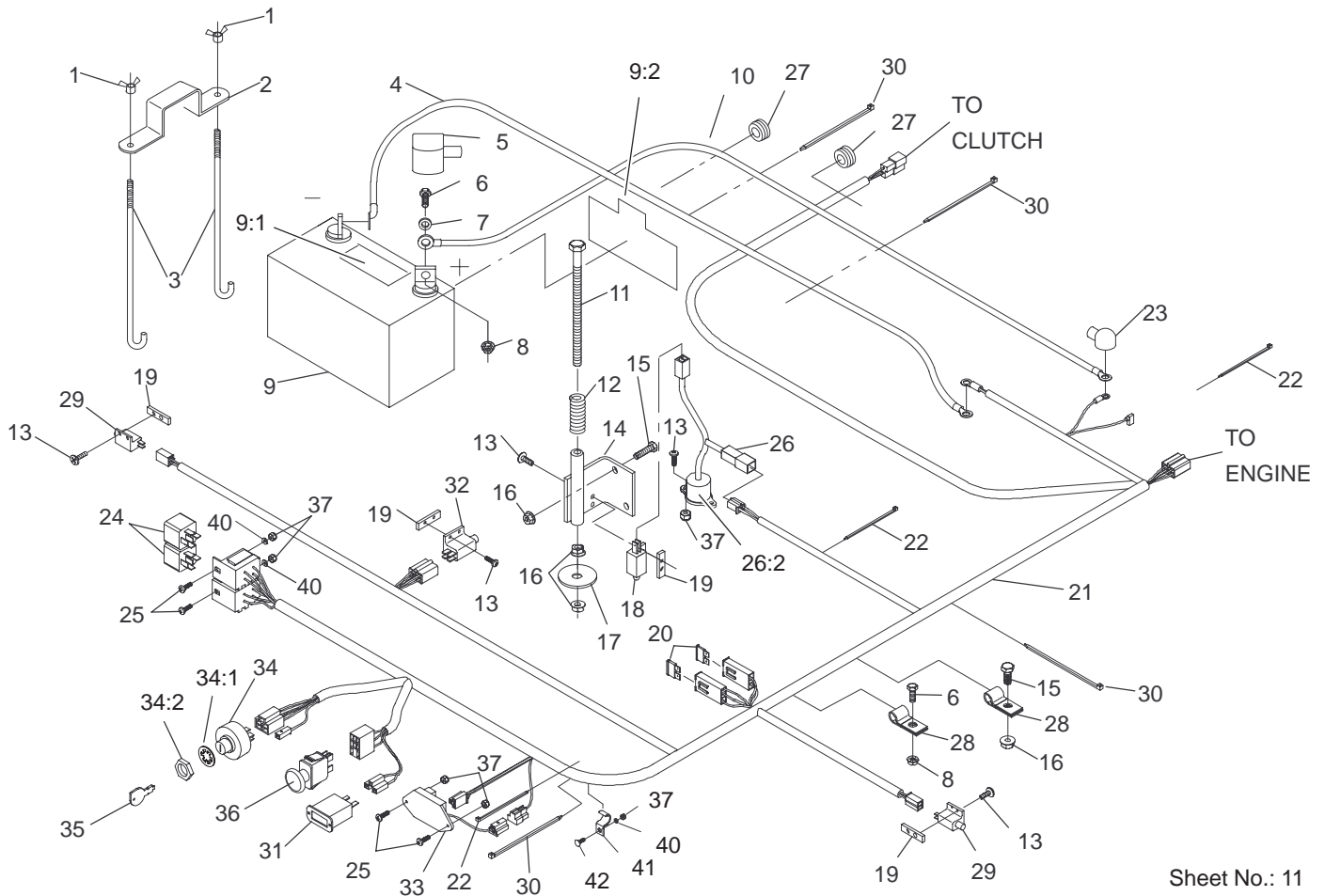
Sheet No.: 10

## Engine and Clutch Assembly

| Ref. No. | Part No.    | Qty. | Description              |
|----------|-------------|------|--------------------------|
| 1        | 3212-10     | 1    | Screw-HH                 |
| 2        | 1-603610    | 2    | Washer-Spring            |
| 3        | 1-653048    | 1    | Clutch-Stop              |
| 4        | 1-653035    | 1    | Sheave W/Hub             |
| 5        | 1-807259    | 1    | Key                      |
| 6        | 103-2308    | 1    | Spacer-Crankshaft        |
| 7        | 322-9       | 4    | Screw-HH                 |
| 8        | 32128-20    | 19   | Nut-HF                   |
| 9        | 322-3       | 14   | Screw-HH                 |
| 10       | 32128-20    | 4    | Nut-HF                   |
| 11       | 1-652146-03 | 1    | Strap-Guard, Engine      |
| 12       | 1-653095-03 | 1    | Shield-Engine            |
| 13       | 1-653093-03 | 1    | Strap-Guard, Engine      |
| 14       | 103-1323    | 1    | Muffler                  |
| 15       | 103-1366-03 | 1    | Deflector, Lower Frame   |
| 16       | 322-2       | 3    | Screw-HH                 |
| 18       | 103-1963    | 1    | Valve, Oil Drain 3/8 Npt |
| 19       | 1-633630    | 2    | Grommet-Brake            |
| 20       | 1-633545    | 2    | Spacer-Grommet           |
| 21       | 1-613235    | 4    | Washer                   |
| 22       | 322-6       | 1    | Screw-HH                 |
| 23       | 1-303335    | 2    | Tie-Plastic              |
| 24       | 1-523406    | 1    | Bushing-Mount, Seat      |
| 25       | 1-633543-03 | 1    | Strap-Clutch, Brake      |
| 26       | 322-22      | 1    | Screw-HH                 |
| 27       | 3256-3      | 3    | Washer-Flat              |

| Ref. No. | Part No.    | Qty. | Description                   |
|----------|-------------|------|-------------------------------|
| 28       | 1-653196    | 1    | Bracket-Support, Muffler      |
| 30       | 1-653539-03 | 1    | Shield, Heat                  |
| 31       | 3230-1      | 3    | Screw-CARR                    |
| 32       | 3256-23     | 3    | Washer-Flat                   |
| 33       | 3296-29     | 3    | Nut-Lock, NI                  |
| 34       | 103-1513    | 1    | Arrester-Spark                |
| 35       | 103-1514    | 1    | Clamp-Muffler                 |
| ☆36      |             | 1    | Engine-Kohler, Cv23s Ps-75554 |
| 37       | 1-303334    | 2    | Washer-Spring                 |

☆ Not serviced

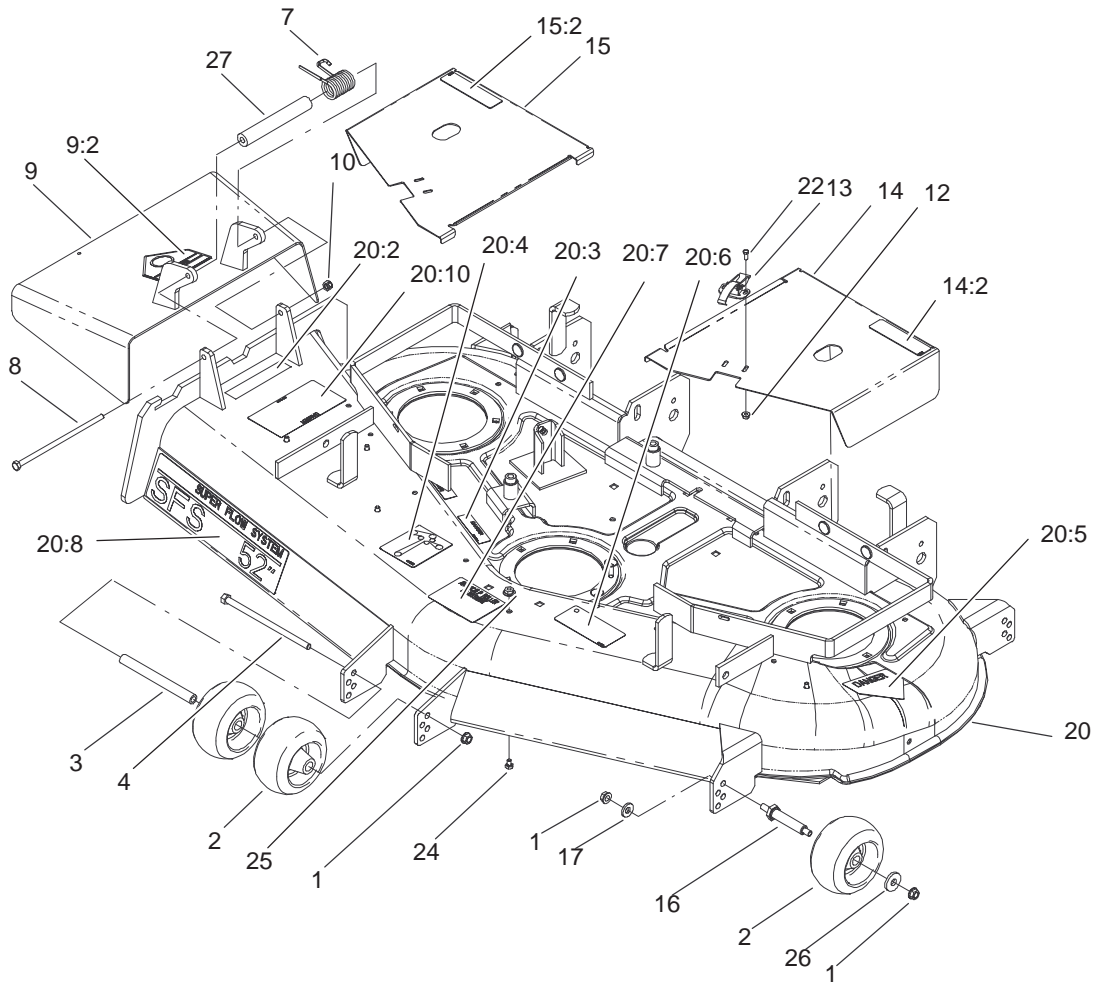


Sheet No.: 11

## Electrical System Assembly

| Ref. No. | Part No.    | Qty. | Description             |
|----------|-------------|------|-------------------------|
| 1        | 1-543792    | 2    | Wingnut                 |
| 2        | 1-633652-03 | 1    | Strap-Holddown, Battery |
| 3        | 1-633651    | 2    | Bolt-Holddown           |
| 4        | 103-0705    | 1    | Cable-Ground, Negative  |
| 5        | 1-543391    | 1    | Insulator-Battery       |
| 6        | 321-4       | 3    | Screw-HH                |
| 7        | 3256-2      | 2    | Washer-Flat             |
| 8        | 32128-33    | 3    | Nut-HF                  |
| 9        | 105-1692    | 1    | Battery - 230 Cca       |
| 9:1      | 104-4163    | 1    | Decal-Battery           |
| 9:2      | 104-4164    | 1    | Decal-Battery           |
| 10       | 1-523281    | 1    | Wire-Starter            |
| 11       | 1-800282    | 1    | Screw-HH                |
| 12       | 1-523415    | 1    | Spring-Switch, Seat     |
| 13       | 3290-500    | 10   | Screw-PPH               |
| 14       | 1-652072-03 | 1    | Bracket-Switch, Seat    |
| 15       | 322-3       | 3    | Screw-HH                |
| 16       | 32128-20    | 5    | Nut-HF                  |
| 17       | 1-653036    | 1    | Washer                  |
| 18       | 1-513152    | 1    | Switch-Closed, Normally |
| 19       | 1-633181    | 4    | Plate-Tapped            |
| 20       | 1-816001    | 2    | Fuse-Type, Blade        |
| 21       | 103-0595    | 1    | Harness-Wire            |

| Ref. No. | Part No. | Qty. | Description           |
|----------|----------|------|-----------------------|
| 22       | 1-303287 | 2    | Tie-Plastic           |
| 23       | 1-543393 | 1    | Insulator-Solenoid    |
| 24       | 1-643275 | 2    | Relay                 |
| 25       | 1-807513 | 4    | Bolt-CARR             |
| 26       | 1-644427 | 1    | Tilt Switch ASM       |
| 26:2     | 1-643401 | 1    | Decal-Switch, Mercury |
| 27       | 1-543286 | 2    | Grommet               |
| 28       | 1-633396 | 2    | Clip-Loom             |
| 29       | 1-513051 | 2    | Switch-Open, Normally |
| 30       | 1-303335 | 4    | Tie-Plastic           |
| 31       | 1-513374 | 1    | Meter-Hour            |
| 32       | 1-633111 | 1    | Switch                |
| 33       | 100-6186 | 1    | Module-Delay, Seat    |
| 34       | 88-9830  | 1    | Key Switch ASM        |
| 34:1     | 3254-5   | 1    | Washer-Lock, Internal |
| 34:2     | 218-461  | 1    | Nut-HH                |
| 35       | 63-8360  | 2    | Key-Ignition          |
| 36       | 1-633673 | 1    | Switch-Delta          |
| 37       | 3296-2   | 7    | Nut-Lock              |
| 40       | 3256-14  | 1    | Washer-Flat           |
| 41       | 103-1193 | 1    | Clip-Half, Loom       |
| 42       | 1-807533 | 1    | Bolt-CARR             |

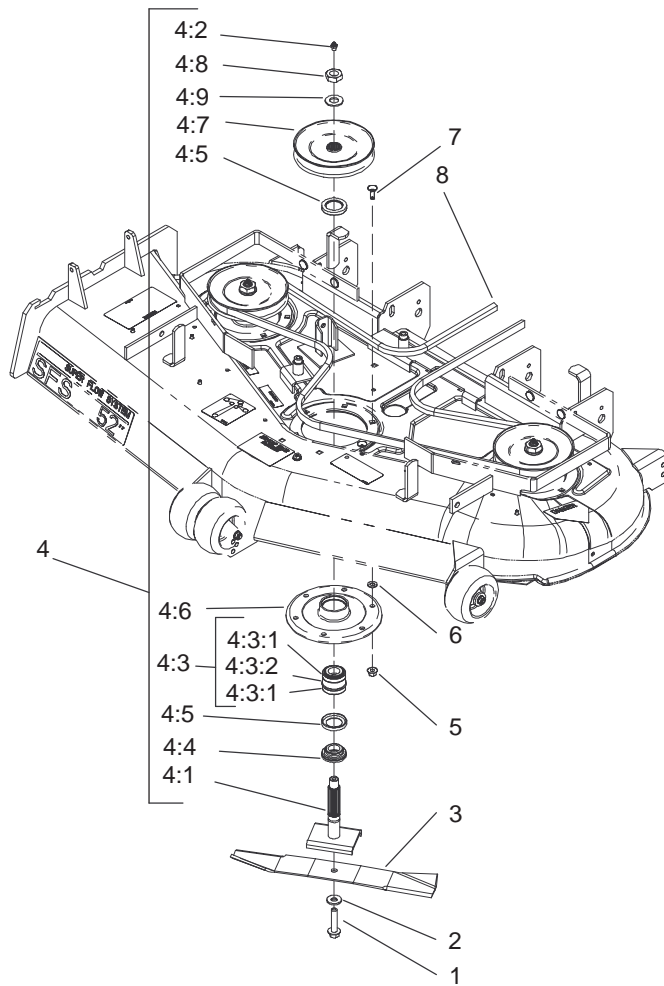


Sheet No.: 14

## Deck Assembly

| Ref. No. | Part No. | Qty. | Description              |
|----------|----------|------|--------------------------|
| 1        | 3290-357 | 9    | Nut-HHF                  |
| 2        | 68-2730  | 6    | Wheel-Gage               |
| 3        | 98-5967  | 1    | Spacer-Wheel             |
| 4        | 323-28   | 1    | Screw-HH                 |
| 7        | 104-8554 | 1    | Spring-Torsion           |
| 8        | 322-50   | 1    | Screw-Cap                |
| 9        | 105-4623 | 1    | Deflector ASM            |
| 9:2      | 54-9220  | 1    | Decal-Danger             |
| 10       | 3296-29  | 1    | Nut-Lock, NI             |
| 12       | 32128-17 | 4    | Nut-Lock, Flange         |
| 13       | 249-21   | 2    | Clamp-Slotted            |
| 14       | 99-3896  | 1    | LH Cover ASM             |
| 14:2     | 67-5360  | 1    | Decal-Danger             |
| 15       | 99-3895  | 1    | RH Cover ASM             |
| 15:2     | 67-5360  | 1    | Decal-Danger             |
| 16       | 99-2842  | 4    | Spacer-Wheel             |
| 17       | 98-5975  | 4    | Washer-Belleville        |
| 20       | 105-3611 | 1    | Deck ASM W/ Decals       |
| 20:2     | 104-8569 | 1    | Decal-Warning, Deflector |
| 20:3     | 98-5954  | 3    | Decal-Missing, Cover     |
| 20:4     | 99-3943  | 1    | Decal-Routing, Belt      |
| 20:5     | 43-8480  | 1    | Decal-Danger             |
| 20:6     | 93-7818  | 1    | Decal-Torque, Blade Bolt |
| 20:7     | 98-3798  | 1    | Decal-Wheel, Gage        |

| Ref. No. | Part No. | Qty. | Description                  |
|----------|----------|------|------------------------------|
| 20:8     | 98-5953  | 1    | Decal-Sfs                    |
| 20:10    | 66-1340  | 1    | Decal-Danger                 |
| 22       | 3290-321 | 4    | Screw-HWH                    |
| 24       | 321-1    | 6    | Screw-HH                     |
| 25       | 32128-33 | 6    | Nut-HF                       |
| 26       | 1-373034 | 4    | Washer-Swivel                |
| 27       | 105-4622 | 1    | Spacer - Mounting, Deflector |

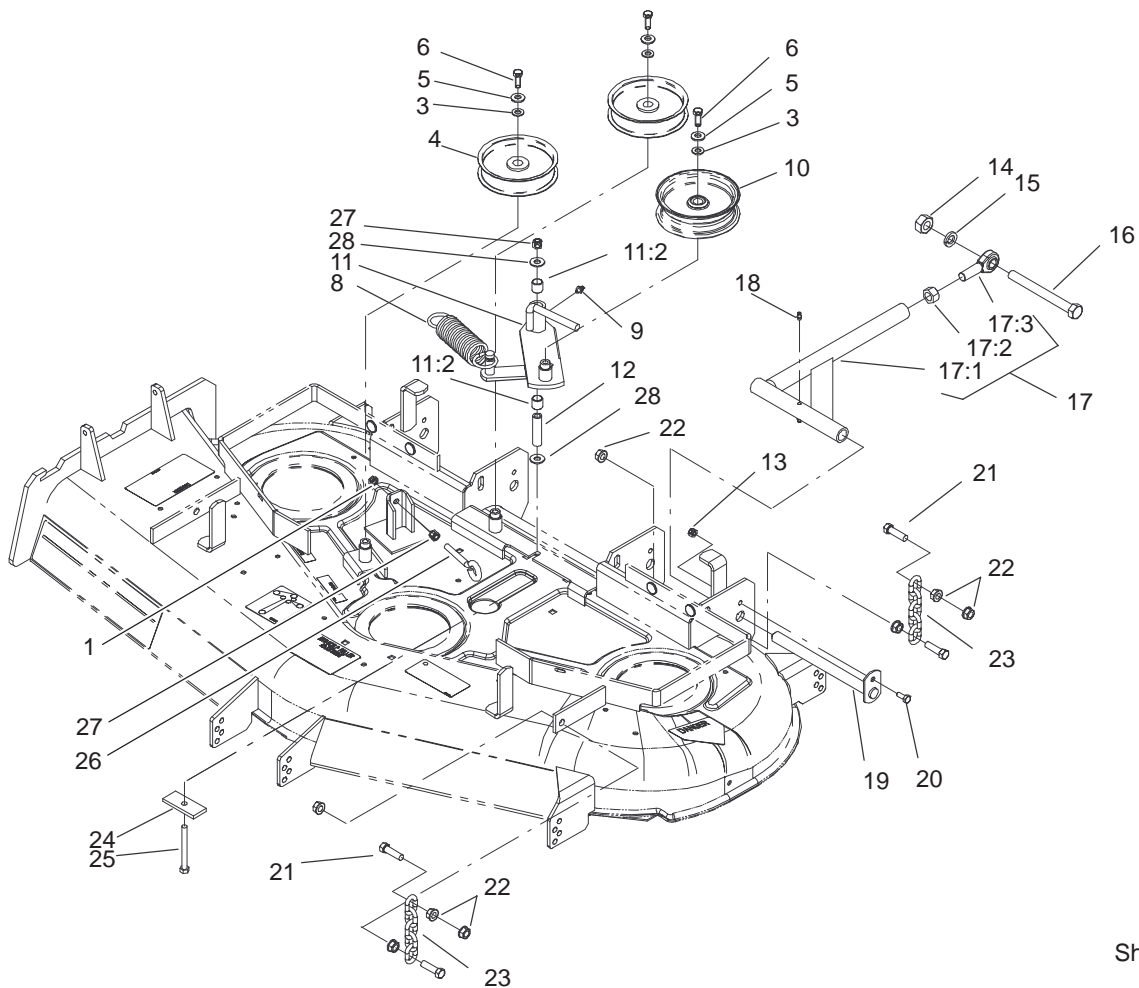


Sheet No.: 15

## Deck Spindle Assembly

| Ref. No. | Part No. | Qty. | Description             |
|----------|----------|------|-------------------------|
| 1        | 92-5816  | 3    | Bolt-Blade              |
| 2        | 1-513435 | 3    | Washer-Spring           |
| 3        | 56-2390  | 3    | Blade                   |
| 4        | 100-3976 | 3    | Spindle Housing ASM     |
| 4:1      | 100-3972 | 1    | Spindle Shaft ASM       |
| 4:2      | 302-2    | 1    | Fitting-Grease          |
| 4:3      | 46-8530  | 1    | Bearing ASM             |
| 4:4      | 27-0950  | 1    | Spacer-Bearing, Spindle |
| 4:5      | 253-139  | 2    | Seal-Oil                |
| 4:6      | 61-4160  | 1    | Housing-Spindle         |
| 4:7      | 100-3970 | 1    | Pulley And Hub ASM      |
| 4:8      | 32146-20 | 1    | Nut-Jam                 |
| 4:9      | 7-4150   | 1    | Washer-Pinion           |
| 5        | 32128-21 | 18   | Nut-HF                  |
| 6        | 3256-24  | 6    | Washer-Flat             |
| 7        | 3231-22  | 18   | Screw-CARR              |
| 8        | 99-3904  | 1    | Belt-Deck               |

| Ref. No. | Part No. | Qty. | Description |
|----------|----------|------|-------------|
|          |          |      |             |
|          |          |      |             |
|          |          |      |             |
|          |          |      |             |
|          |          |      |             |
|          |          |      |             |
|          |          |      |             |
|          |          |      |             |
|          |          |      |             |
|          |          |      |             |



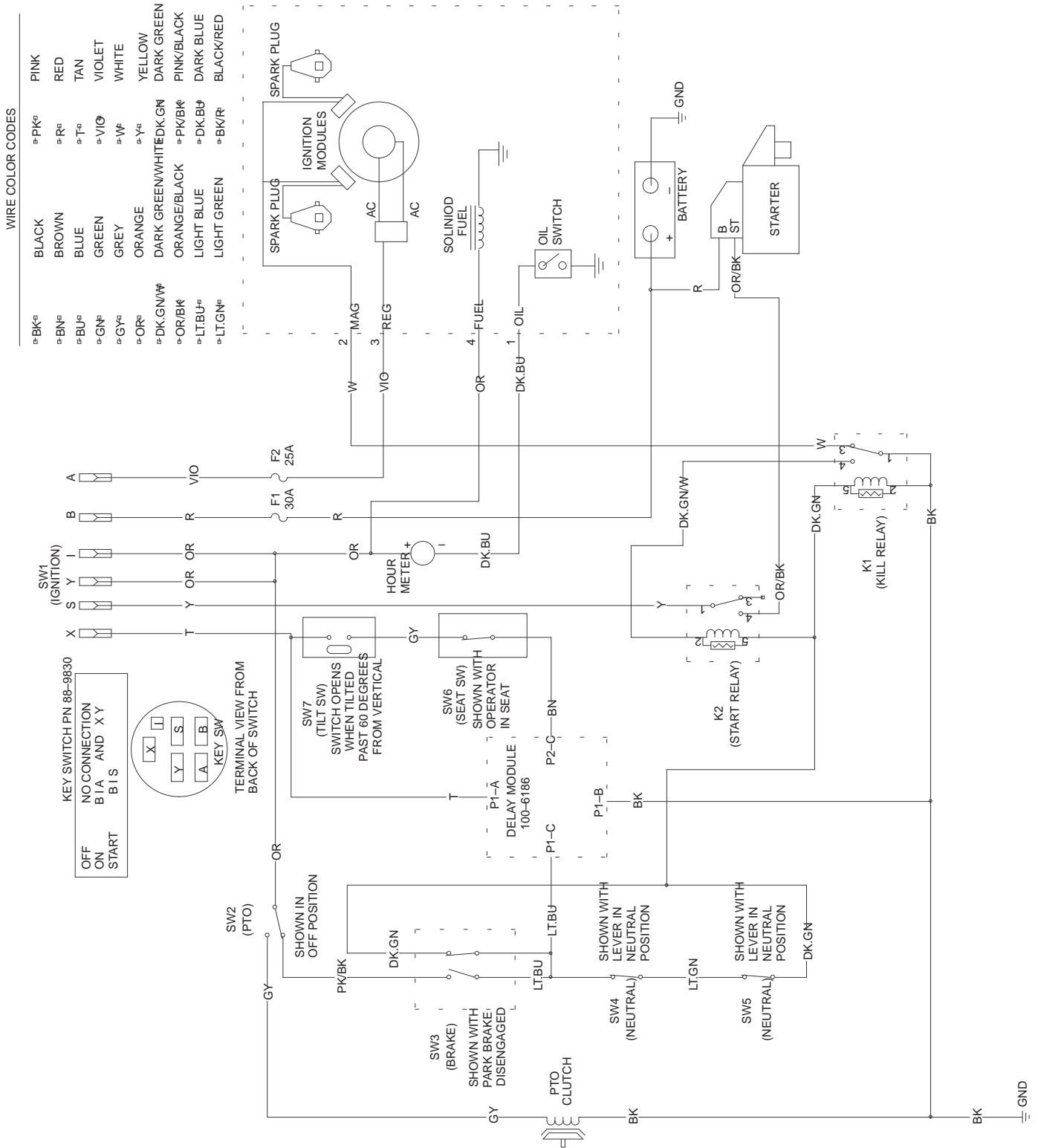
Sheet No.: 16

## Idler, Pulley/Lift Strut, Chain Assembly

| Ref. No. | Part No.    | Qty. | Description          |
|----------|-------------|------|----------------------|
| 1        | 3217-7      | 1    | Nut-Hex              |
| 3        | 3256-24     | 3    | Washer-Flat          |
| 4        | 1-613098    | 2    | Pulley-Idler         |
| 5        | 98-5975     | 3    | Washer-Belleville    |
| 6        | 323-6       | 3    | Screw-HH             |
| 8        | 1-633151    | 1    | Spring-Extension     |
| 9        | 302-40      | 1    | Fitting-Grease       |
| 10       | 1-413099    | 1    | Pulley-Idler         |
| 11       | 99-3879     | 1    | Arm-Idler W/Bushings |
| 11:2     | 1-513034    | 2    | Sleeve-Bearing       |
| 12       | 1-603384    | 1    | Bushing-Pivot, Idler |
| 13       | 3296-29     | 2    | Nut-Lock, NI         |
| 14       | 3217-11     | 2    | Nut-Hex              |
| 15       | 3253-8      | 2    | Washer-Lock          |
| 16       | 1-800344    | 2    | Screw                |
| 17       | 103-1081    | 2    | Strut ASM            |
| 17:1     | 103-1072-01 | 1    | Strut-Deck           |
| 17:2     | 3219-6      | 1    | Nut-Hex              |
| 17:3     | 1-633029    | 1    | Balljoint-Spherical  |
| 18       | 302-19      | 4    | Fitting-Grease       |
| 19       | 1-632199-01 | 2    | Pin-Strut, Deck      |
| 20       | 322-3       | 2    | Screw-HH             |
| 21       | 324-6       | 8    | Screw-HH             |
| 22       | 32128-37    | 16   | Nut-HF               |
| 23       | 1-633447    | 4    | Chain-Lift, Deck     |
| 24       | 99-3946-01  | 1    | Plate-Retainer, Bolt |

| Ref. No. | Part No. | Qty. | Description     |
|----------|----------|------|-----------------|
| 25       | 1-800805 | 1    | Screw-HH        |
| 26       | 94-2547  | 1    | Bolt-Eye        |
| 27       | 3296-39  | 2    | Nut-Lock, NI    |
| 28       | 1-809107 | 2    | Washer-Hardened |

# Electrical Schematic



## Maintenance Record

|      |  |  |  |  |  |  |  |  |
|------|--|--|--|--|--|--|--|--|
| Date |  |  |  |  |  |  |  |  |
|      |  |  |  |  |  |  |  |  |
|      |  |  |  |  |  |  |  |  |
|      |  |  |  |  |  |  |  |  |
|      |  |  |  |  |  |  |  |  |
|      |  |  |  |  |  |  |  |  |
|      |  |  |  |  |  |  |  |  |
|      |  |  |  |  |  |  |  |  |
|      |  |  |  |  |  |  |  |  |
|      |  |  |  |  |  |  |  |  |
|      |  |  |  |  |  |  |  |  |
|      |  |  |  |  |  |  |  |  |
|      |  |  |  |  |  |  |  |  |
|      |  |  |  |  |  |  |  |  |
|      |  |  |  |  |  |  |  |  |
|      |  |  |  |  |  |  |  |  |
|      |  |  |  |  |  |  |  |  |
|      |  |  |  |  |  |  |  |  |
|      |  |  |  |  |  |  |  |  |
|      |  |  |  |  |  |  |  |  |
|      |  |  |  |  |  |  |  |  |
|      |  |  |  |  |  |  |  |  |
|      |  |  |  |  |  |  |  |  |
|      |  |  |  |  |  |  |  |  |
|      |  |  |  |  |  |  |  |  |
|      |  |  |  |  |  |  |  |  |
|      |  |  |  |  |  |  |  |  |
|      |  |  |  |  |  |  |  |  |
|      |  |  |  |  |  |  |  |  |
|      |  |  |  |  |  |  |  |  |
|      |  |  |  |  |  |  |  |  |
|      |  |  |  |  |  |  |  |  |
|      |  |  |  |  |  |  |  |  |
|      |  |  |  |  |  |  |  |  |
|      |  |  |  |  |  |  |  |  |
|      |  |  |  |  |  |  |  |  |
|      |  |  |  |  |  |  |  |  |
|      |  |  |  |  |  |  |  |  |
|      |  |  |  |  |  |  |  |  |
|      |  |  |  |  |  |  |  |  |
|      |  |  |  |  |  |  |  |  |
|      |  |  |  |  |  |  |  |  |
|      |  |  |  |  |  |  |  |  |
|      |  |  |  |  |  |  |  |  |

## Maintenance Record

| Date |  |  |  |  |  |  |  |  |  |
|------|--|--|--|--|--|--|--|--|--|
|      |  |  |  |  |  |  |  |  |  |
|      |  |  |  |  |  |  |  |  |  |
|      |  |  |  |  |  |  |  |  |  |
|      |  |  |  |  |  |  |  |  |  |
|      |  |  |  |  |  |  |  |  |  |
|      |  |  |  |  |  |  |  |  |  |
|      |  |  |  |  |  |  |  |  |  |
|      |  |  |  |  |  |  |  |  |  |
|      |  |  |  |  |  |  |  |  |  |
|      |  |  |  |  |  |  |  |  |  |
|      |  |  |  |  |  |  |  |  |  |
|      |  |  |  |  |  |  |  |  |  |
|      |  |  |  |  |  |  |  |  |  |
|      |  |  |  |  |  |  |  |  |  |
|      |  |  |  |  |  |  |  |  |  |
|      |  |  |  |  |  |  |  |  |  |
|      |  |  |  |  |  |  |  |  |  |
|      |  |  |  |  |  |  |  |  |  |
|      |  |  |  |  |  |  |  |  |  |
|      |  |  |  |  |  |  |  |  |  |
|      |  |  |  |  |  |  |  |  |  |
|      |  |  |  |  |  |  |  |  |  |
|      |  |  |  |  |  |  |  |  |  |
|      |  |  |  |  |  |  |  |  |  |
|      |  |  |  |  |  |  |  |  |  |
|      |  |  |  |  |  |  |  |  |  |
|      |  |  |  |  |  |  |  |  |  |

