



Count on it.

Parts Catalog

Flex-Force Power System™

41cm (16in) 60V MAX Chainsaw

Model No. 51845T—Serial No. 32000001 and Up



Ordering Replacement Parts

To order replacement parts, please supply the part number, the quantity, and the description of each part desired.

Understanding Reference Numbers

Each identified part in an illustration has a reference number. The reference number for a part also appears in the parts list, along with other information about the part.

This catalog uses two special reference number formats, one to indicate parts in a service assembly and another to indicate the quantity of a given part in an illustration.

Service Assembly Reference Numbers

Parts in service assemblies have reference numbers in the form a:b. The a represents the reference number of the entire service assembly and the b represents a sequential number unique to each part within the service assembly.

For example, a wheel assembly might be identified by reference number 6, the tire by 6:1, the valve by 6:2, and the wheel by 6:3. When you order the assembly identified by reference number 6, you receive all parts identified by reference numbers 6:1, 6:2, and 6:3. However, you may also order any part individually. Reference numbers of this type appear in illustration and in parts lists.

Reference Numbers Indicating Quantity

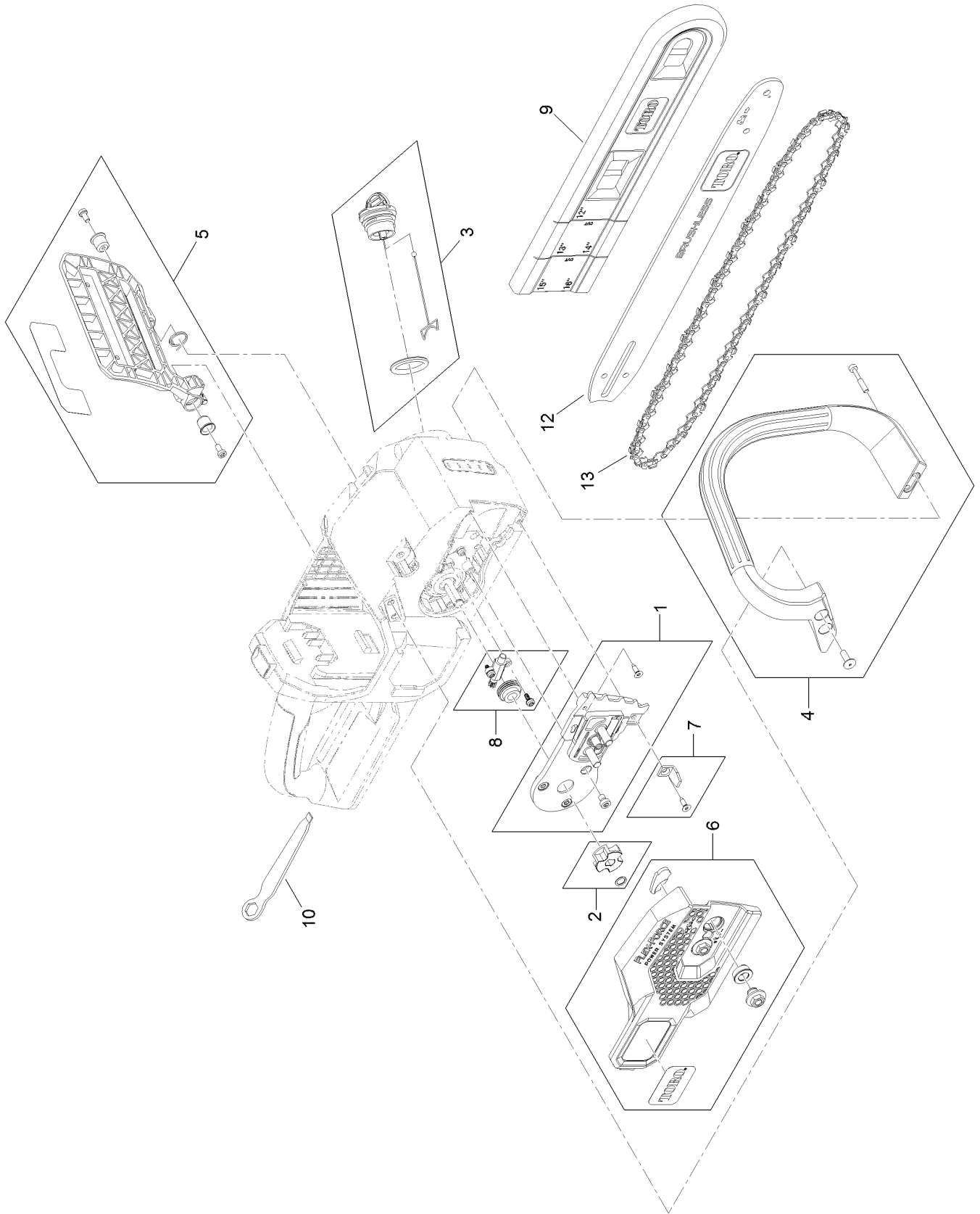
In an illustration, if a reference number indicates more than one part, the reference number has the form nX y. The n represents the quantity of the part, the X is the multiplication symbol, and the y represents the reference number.

For example, in an illustration, the reference number 2X 37 means that two of the parts identified by reference number 37 are indicated.

Contents

41cm Cordless Chainsaw Assembly 4
Attachments and Accessories 6

41cm Cordless Chainsaw Assembly



41cm Cordless Chainsaw Assembly (continued)

<i>Ref.</i>	<i>Part Number</i>	<i>Qty.</i>	<i>Description</i>	<i>Ref.</i>	<i>Part Number</i>	<i>Qty.</i>	<i>Description</i>
1	140-8407	1	Adjuster Bar Bracket ASM	8	140-8414	1	Oil Pump ASM
2	140-8406	1	Drive Gear ASM	9	140-8443	1	Bar-Sleeve, Chainsaw
3	140-8403	1	Oil Cap ASM	10	140-8444	1	Tool-Adjustment, Bar
4	140-8404	1	Handle ASM	12	88613	1	Bar-Replacement
5	137-6576	1	Chain Brake ASM	13	88614	1	Chain
6	140-8413	1	Bar Cover ASM				
7	140-8440	1	Bar Cover Support Bracket ASM				

Attachments and Accessories

For 51845T Flex-Force Power System 41cm (16in) 60V MAX Chainsaw

Product Name	Model/Part
Replacement Bar	88613
Chain-16in	88614
60V Battery Charger 1 Amp CE	81801
60V Battery Charger 1 Amp Australia	81101
60V Battery Charger 2 Amp CE	81802
60v Battery Charger 5 Amp International	81805
60V 2.0 AH Battery International.....	81820
60V 2.5 AH Battery CE	81825
60V 4.0 AH Battery CE	81850
60V 6.0 AH Battery CE	81860
60V 7.5 AH Battery CE	81875

Notes:



Count on it.